



# ATmega48PB/88PB/168PB

---

---

## ATmega48PB/88PB/168PB Data Sheet

---

---

---

### Introduction

---

The ATmega48PB/88PB/168PB is a low-power CMOS 8-bit microcontroller based on the AVR<sup>®</sup> enhanced RISC architecture. By executing powerful instructions in a single clock cycle, the ATmega48PB/88PB/168PB achieves throughputs approaching 1 MIPS per MHz allowing the system designer to optimize power consumption versus processing speed.

---

### Features

---

- High Performance, Low Power Microchip AVR<sup>®</sup> 8-Bit Microcontroller Family
- Advanced RISC Architecture
  - 131 Powerful Instructions – Most Single Clock Cycle Execution
  - 32 x 8 General Purpose Working Registers
  - Fully Static Operation
  - Up to 20 MIPS Throughput at 20MHz
  - On-chip 2-cycle Multiplier
- High Endurance Non-volatile Memory Segments
  - 4/8/16KBytes of In-System Self-Programmable Flash program memory
  - 256/512/512Bytes EEPROM
  - 512/1K/1KBytes Internal SRAM
  - Write/Erase Cycles: 10,000 Flash/100,000 EEPROM
  - Data retention: 20 years at 85°C/100 years at 25°C
  - Optional Boot Code Section with Independent Lock Bits
    - In-System Programming by On-chip Boot Program
    - True Read-While-Write Operation
  - Programming Lock for Software Security
- Microchip QTouch<sup>®</sup> library support
  - Capacitive touch buttons, sliders and wheels
  - QTouch and QMatrix<sup>™</sup> acquisition
  - Up to 64 sense channels
- Peripheral Features
  - Two 8-bit Timer/Counters (TC) with Separate Prescaler and Compare Mode
  - 16-bit Timer/Counter with Separate Prescaler, Compare Mode, and Capture Mode
  - Real Time Counter (RTC) with Separate Oscillator

- Six Pulse Width Modulation (PWM) channels
- 8-channel 10-bit ADC with temperature measurement
- Programmable Serial USART with start-of-frame detection
- Master/Slave SPI Serial Interface
- Byte-oriented Two-Wire Serial Interface (Phillips I<sup>2</sup>C compatible)
- Programmable Watchdog Timer (WDT) with separate on-chip oscillator
- On-chip Analog Comparator
- Interrupt and Wake-up on Pin Change
  - 256-channel capacitive touch and proximity sensing
- Special Microcontroller Features
  - Power-on Reset (POR) and Programmable Brown-out Detection (BOD)
  - Internal calibrated oscillator
  - External and internal interrupt sources
  - Six Sleep Modes: Idle, ADC Noise Reduction, Power-save, Power-down, Standby, and Extended Standby
  - Unique Device ID
- I/O and Packages
  - 27 Programmable I/O Lines
  - 32-lead TQFP and 32-pad VQFN
- Operating Voltage: 1.8 - 5.5V
- Temperature Range: -40°C to 105°C
- Speed Grade: 0 - 4MHz@1.8 - 5.5V, 0 - 10MHz@2.7 - 5.5.V, 0 - 20MHz @ 4.5 - 5.5V
- Power Consumption at 1MHz, 1.8V, 25°C
  - Active Mode: 0.35mA
  - Power-down Mode: 0.23µA
  - Power-save Mode: <1.4µA (Including 32kHz RTC)

## Table of Contents

|          |   |           |
|----------|---|-----------|
| <b>1</b> | <b><i>Pin Configurations</i></b> .....              | <b>9</b>  |
| <b>2</b> | <b><i>Overview</i></b> .....                        | <b>10</b> |
| 2.1      | Block Diagram .....                                 | 10        |
| 2.2      | Pin Descriptions.....                               | 11        |
| <b>3</b> | <b><i>Resources</i></b> .....                       | <b>13</b> |
| <b>4</b> | <b><i>Data Retention</i></b> .....                  | <b>13</b> |
| <b>5</b> | <b><i>About Code Examples</i></b> .....             | <b>13</b> |
| <b>6</b> | <b><i>Capacitive touch sensing</i></b> .....        | <b>13</b> |
| <b>7</b> | <b><i>AVR CPU Core</i></b> .....                    | <b>14</b> |
| 7.1      | Overview.....                                       | 14        |
| 7.2      | Arithmetic Logic Unit – ALU.....                    | 15        |
| 7.3      | Status Register .....                               | 15        |
| 7.4      | General Purpose Register File .....                 | 16        |
| 7.5      | Stack Pointer .....                                 | 17        |
| 7.6      | Instruction Execution Timing .....                  | 18        |
| 7.7      | Reset and Interrupt Handling.....                   | 19        |
| <b>8</b> | <b><i>AVR Memories</i></b> .....                    | <b>22</b> |
| 8.1      | Overview.....                                       | 22        |
| 8.2      | In-System Reprogrammable Flash Program Memory ..... | 22        |
| 8.3      | SRAM Data Memory.....                               | 23        |
| 8.4      | EEPROM Data Memory .....                            | 24        |
| 8.5      | I/O Memory .....                                    | 24        |
| 8.6      | Register Description .....                          | 25        |
| <b>9</b> | <b><i>System Clock and Clock Options</i></b> .....  | <b>31</b> |
| 9.1      | Clock Systems and their Distribution .....          | 31        |
| 9.2      | Clock Sources .....                                 | 32        |
| 9.3      | Crystal Oscillator .....                            | 32        |
| 9.4      | Low-frequency Crystal Oscillator.....               | 34        |
| 9.5      | External RC Oscillator .....                        | 34        |
| 9.6      | Calibrated Internal RC Oscillator.....              | 36        |
| 9.7      | External Clock .....                                | 37        |
| 9.8      | Timer/Counter Oscillator.....                       | 37        |

|           |   |           |
|-----------|---|-----------|
| 9.9       | Register Description .....  | 38        |
| <b>10</b> | <b>Power Management and Sleep Modes .....</b>                             | <b>39</b> |
| 10.1      | Sleep Modes.....  | 39        |
| 10.2      | Idle Mode.....  | 39        |
| 10.3      | ADC Noise Reduction Mode.....   | 40        |
| 10.4      | Power-down Mode.....  | 40        |
| 10.5      | Power-save Mode.....  | 40        |
| 10.6      | Standby Mode .....  | 41        |
| 10.7      | Minimizing Power Consumption .....  | 41        |
| 10.8      | Register Description .....  | 42        |
| <b>11</b> | <b>System Control and Reset .....</b>                                     | <b>43</b> |
| 11.1      | Resetting the AVR .....   | 43        |
| 11.2      | Reset Sources .....   | 43        |
| 11.3      | Internal Voltage Reference.....   | 46        |
| 11.4      | Watchdog Timer .....  | 47        |
| 11.5      | Timed Sequences for Changing the Configuration of the Watchdog Timer .... | 47        |
| 11.6      | Register Description .....  | 49        |
| <b>12</b> | <b>Interrupts .....</b>   | <b>51</b> |
| 12.1      | Interrupt Vectors in ATmega8A .....                                       | 51        |
| 12.2      | Register Description .....  | 54        |
| <b>13</b> | <b>I/O Ports .....</b>  | <b>56</b> |
| 13.1      | Overview.....   | 56        |
| 13.2      | Ports as General Digital I/O.....   | 57        |
| 13.3      | Alternate Port Functions .....  | 61        |
| 13.4      | Register Description .....  | 69        |
| <b>14</b> | <b>External Interrupts .....</b>  | <b>71</b> |
| 14.1      | Register Description .....  | 71        |
| <b>15</b> | <b>8-bit Timer/Counter0 .....</b>   | <b>73</b> |
| 15.1      | Features .....  | 73        |
| 15.2      | Overview.....   | 73        |
| 15.3      | Timer/Counter Clock Sources .....   | 74        |
| 15.4      | Counter Unit .....  | 74        |
| 15.5      | Operation.....  | 74        |
| 15.6      | Timer/Counter Timing Diagrams .....                                       | 75        |

|           |   |            |
|-----------|---|------------|
| 15.7      | Register Description .....  | 76         |
| <b>16</b> | <b>Timer/Counter0 and Timer/Counter1 Prescalers .....</b>             | <b>78</b>  |
| 16.1      | Overview .....  | 78         |
| 16.2      | Internal Clock Source .....   | 78         |
| 16.3      | Prescaler Reset .....   | 78         |
| 16.4      | External Clock Source .....   | 78         |
| 16.5      | Register Description .....  | 79         |
| <b>17</b> | <b>16-bit Timer/Counter1 .....</b>                                    | <b>80</b>  |
| 17.1      | Features .....  | 80         |
| 17.2      | Overview .....  | 80         |
| 17.3      | Accessing 16-bit Registers .....                                      | 82         |
| 17.4      | Timer/Counter Clock Sources .....                                     | 85         |
| 17.5      | Counter Unit .....  | 85         |
| 17.6      | Input Capture Unit .....  | 86         |
| 17.7      | Output Compare Units .....  | 88         |
| 17.8      | Compare Match Output Unit .....                                       | 90         |
| 17.9      | Modes of Operation .....  | 91         |
| 17.10     | Timer/Counter Timing Diagrams .....                                   | 98         |
| 17.11     | Register Description .....  | 99         |
| <b>18</b> | <b>8-bit Timer/Counter2 with PWM and Asynchronous Operation .....</b> | <b>106</b> |
| 18.1      | Features .....  | 106        |
| 18.2      | Overview .....  | 106        |
| 18.3      | Timer/Counter Clock Sources .....                                     | 107        |
| 18.4      | Counter Unit .....  | 107        |
| 18.5      | Output Compare Unit .....   | 108        |
| 18.6      | Compare Match Output Unit .....                                       | 110        |
| 18.7      | Modes of Operation .....  | 111        |
| 18.8      | Timer/Counter Timing Diagrams .....                                   | 115        |
| 18.9      | Asynchronous Operation of the Timer/Counter .....                     | 116        |
| 18.10     | Timer/Counter Prescaler .....   | 118        |
| 18.11     | Register Description .....  | 119        |
| <b>19</b> | <b>Serial Peripheral Interface – SPI .....</b>                        | <b>123</b> |
| 19.1      | Features .....  | 123        |
| 19.2      | Overview .....  | 123        |
| 19.3      | $\overline{SS}$ Pin Functionality .....                               | 128        |

|           |  |            |
|-----------|--|------------|
| 19.4      | Data Modes .....   | 128        |
| 19.5      | Register Description .....                                     | 130        |
| <b>20</b> | <b>USART .....</b>   | <b>132</b> |
| 20.1      | Features .....   | 132        |
| 20.2      | Overview.....  | 132        |
| 20.3      | Clock Generation.....  | 134        |
| 20.4      | Frame Formats .....  | 136        |
| 20.5      | USART Initialization.....                                      | 137        |
| 20.6      | Data Transmission – The USART Transmitter .....                | 138        |
| 20.7      | Asynchronous Data Reception .....                              | 145        |
| 20.8      | Multi-processor Communication Mode .....                       | 148        |
| 20.9      | Accessing UBRRH/UCSRC Registers .....                          | 149        |
| 20.10     | Register Description .....                                     | 150        |
| 20.11     | Examples of Baud Rate Setting.....                             | 154        |
| <b>21</b> | <b>Two-wire Serial Interface .....</b>                         | <b>159</b> |
| 21.1      | Features .....   | 159        |
| 21.2      | Overview.....  | 159        |
| 21.3      | Two-wire Serial Interface Bus Definition.....                  | 161        |
| 21.4      | Data Transfer and Frame Format.....                            | 162        |
| 21.5      | Multi-master Bus Systems, Arbitration and Synchronization..... | 164        |
| 21.6      | Using the TWI.....   | 166        |
| 21.7      | Multi-master Systems and Arbitration.....                      | 181        |
| 21.8      | Register Description .....                                     | 183        |
| <b>22</b> | <b>Analog Comparator .....</b>                                 | <b>186</b> |
| 22.1      | Overview.....  | 186        |
| 22.2      | Analog Comparator Multiplexed Input .....                      | 186        |
| 22.3      | Register Description .....                                     | 187        |
| <b>23</b> | <b>Analog-to-Digital Converter .....</b>                       | <b>189</b> |
| 23.1      | Features .....   | 189        |
| 23.2      | Overview.....  | 189        |
| 23.3      | Starting a Conversion .....                                    | 191        |
| 23.4      | Prescaling and Conversion Timing.....                          | 191        |
| 23.5      | Changing Channel or Reference Selection .....                  | 193        |
| 23.6      | ADC Noise Canceler .....                                       | 194        |
| 23.7      | ADC Conversion Result.....                                     | 197        |

|           |   |            |
|-----------|---|------------|
| 23.8      | Register Description .....  | 197        |
| <b>24</b> | <b><i>Boot Loader Support – Read-While-Write Self-Programming .....</i></b> | <b>201</b> |
| 24.1      | Features .....  | 201        |
| 24.2      | Overview.....   | 201        |
| 24.3      | Application and Boot Loader Flash Sections.....                             | 201        |
| 24.4      | Read-While-Write and No Read-While-Write Flash Sections.....                | 201        |
| 24.5      | Boot Loader Lock Bits .....   | 204        |
| 24.6      | Entering the Boot Loader Program.....                                       | 205        |
| 24.7      | Addressing the Flash During Self-Programming .....                          | 205        |
| 24.8      | Self-Programming the Flash.....   | 206        |
| 24.9      | Register Description .....  | 212        |
| <b>25</b> | <b><i>Memory Programming .....</i></b>                                      | <b>214</b> |
| 25.1      | Program And Data Memory Lock Bits .....                                     | 214        |
| 25.2      | Fuse Bits.....  | 215        |
| 25.3      | Signature Bytes .....   | 216        |
| 25.4      | Calibration Byte .....  | 216        |
| 25.5      | Page Size .....   | 217        |
| 25.6      | Parallel Programming Parameters, Pin Mapping, and Commands .....            | 217        |
| 25.7      | Parallel Programming .....  | 219        |
| 25.8      | Serial Downloading.....   | 227        |
| 25.9      | Serial Programming Pin Mapping.....   | 227        |
| <b>26</b> | <b><i>Electrical Characteristics – TA = -40°C to 85°C .....</i></b>         | <b>232</b> |
| 26.1      | Absolute Maximum Ratings* .....   | 232        |
| 26.2      | DC Characteristics.....   | 232        |
| 26.3      | Speed Grades .....  | 234        |
| 26.4      | Clock Characteristics.....  | 234        |
| 26.5      | System and Reset Characteristics .....                                      | 235        |
| 26.6      | Two-wire Serial Interface Characteristics .....                             | 236        |
| 26.7      | SPI Timing Characteristics .....  | 237        |
| 26.8      | ADC Characteristics .....   | 239        |
| <b>27</b> | <b><i>Electrical Characteristics – TA = -40°C to 105°C .....</i></b>        | <b>240</b> |
| 27.1      | DC Characteristics.....   | 240        |
| <b>28</b> | <b><i>Typical Characteristics – TA = -40°C to 85°C .....</i></b>            | <b>242</b> |
| 28.1      | Active Supply Current.....  | 242        |
| 28.2      | Idle Supply Current.....  | 246        |

|           |  |            |
|-----------|--|------------|
| 28.3      | Power-down Supply Current.....                             | 249        |
| 28.4      | Power-save Supply Current.....                             | 250        |
| 28.5      | Standby Supply Current .....                               | 251        |
| 28.6      | Pin Pull-up .....  | 254        |
| 28.7      | Pin Driver Strength .....                                  | 256        |
| 28.8      | Pin Thresholds and Hysteresis.....                         | 260        |
| 28.9      | Bod Thresholds and Analog Comparator Offset.....           | 265        |
| 28.10     | Internal Oscillator Speed .....                            | 267        |
| 28.11     | Current Consumption of Peripheral Units.....               | 274        |
| 28.12     | Current Consumption in Reset and Reset Pulsewidth .....    | 277        |
| <b>29</b> | <b>Typical Characteristics – TA = -40°C to 105°C .....</b> | <b>279</b> |
| 29.1      | ATmega8A Typical Characteristics .....                     | 279        |
| <b>30</b> | <b>Register Summary .....</b>                              | <b>308</b> |
| <b>31</b> | <b>Instruction Set Summary .....</b>                       | <b>310</b> |
| <b>32</b> | <b>Ordering Information .....</b>                          | <b>313</b> |
| <b>33</b> | <b>Packaging Information .....</b>                         | <b>314</b> |
| 33.1      | 32A .....  | 314        |
| 33.2      | 28P3 .....   | 315        |
| <b>34</b> | <b>Errata .....</b>  | <b>317</b> |
| 34.1      | ATmega8A, rev. L.....                                      | 317        |
| <b>35</b> | <b>Datasheet Revision History .....</b>                    | <b>319</b> |
| 35.1      | Rev. B – 02/2020.....                                      | 321        |
| 35.2      | Rev. A – 12/2017.....                                      | 321        |
| 35.3      | Rev.8159F – 07/2015 .....                                  | 321        |
| 35.4      | Rev.8159E – 02/2013.....                                   | 319        |
| 35.5      | Rev.8159D – 02/11.....                                     | 322        |
| 35.6      | Rev.8159C – 07/09.....                                     | 322        |
| 35.7      | Rev.8159B – 05/09.....                                     | 322        |
| 35.8      | Rev.8159A – 08/08.....                                     | 323        |



## 1. Configuration Summary

|                         | ATmega48PB      | ATmega88PB | ATmega168PB |
|-------------------------|-----------------|------------|-------------|
| Pin count               | 32              | 32         | 32          |
| Flash (KB)              | 4               | 8          | 16          |
| SRAM (Bytes)            | 512             | 1024       | 1024        |
| EEPROM (Bytes)          | 256             | 512        | 512         |
| Max I/O pins            | 27              |            |             |
| SPI                     | 1               |            |             |
| TWI (I <sup>2</sup> C)  | 1               |            |             |
| USART                   | 1               |            |             |
| ADC                     | 10-bit 15ksps   |            |             |
| ADC channels            | 8               |            |             |
| AC                      | 1               |            |             |
| 8-bit Timer/Counters    | 2               |            |             |
| 16-bit Timer/Counters   | 1               |            |             |
| PWM channels            | 6               |            |             |
| Operating voltage       | 1.8V - 5.5V     |            |             |
| Max operating frequency | 20MHz           |            |             |
| Temperature range       | -40°C to +105°C |            |             |

## 2. Pin Configurations

Figure 2-1. 32 TQFP Pinout ATmega48PB/88PB/168PB

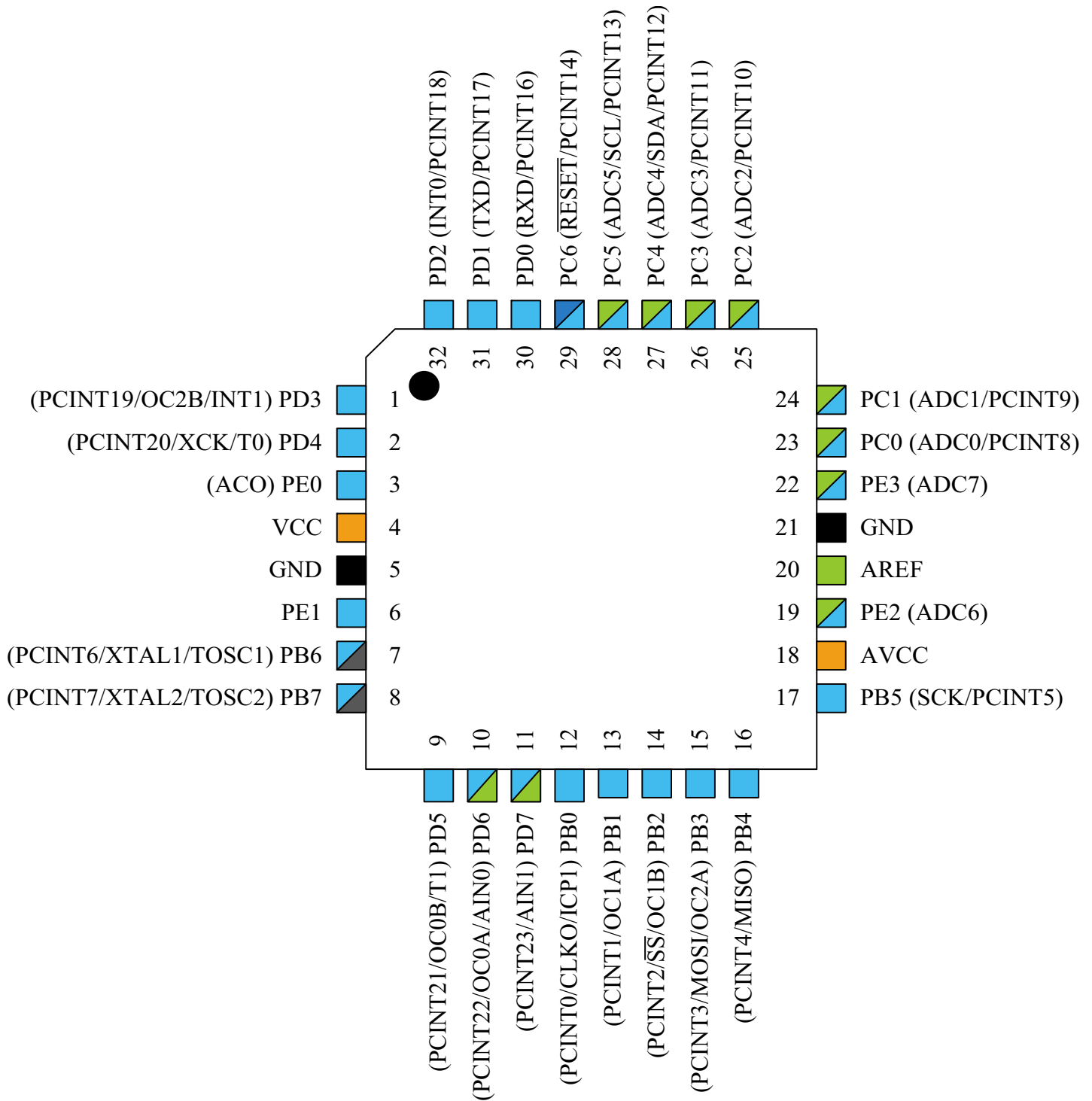
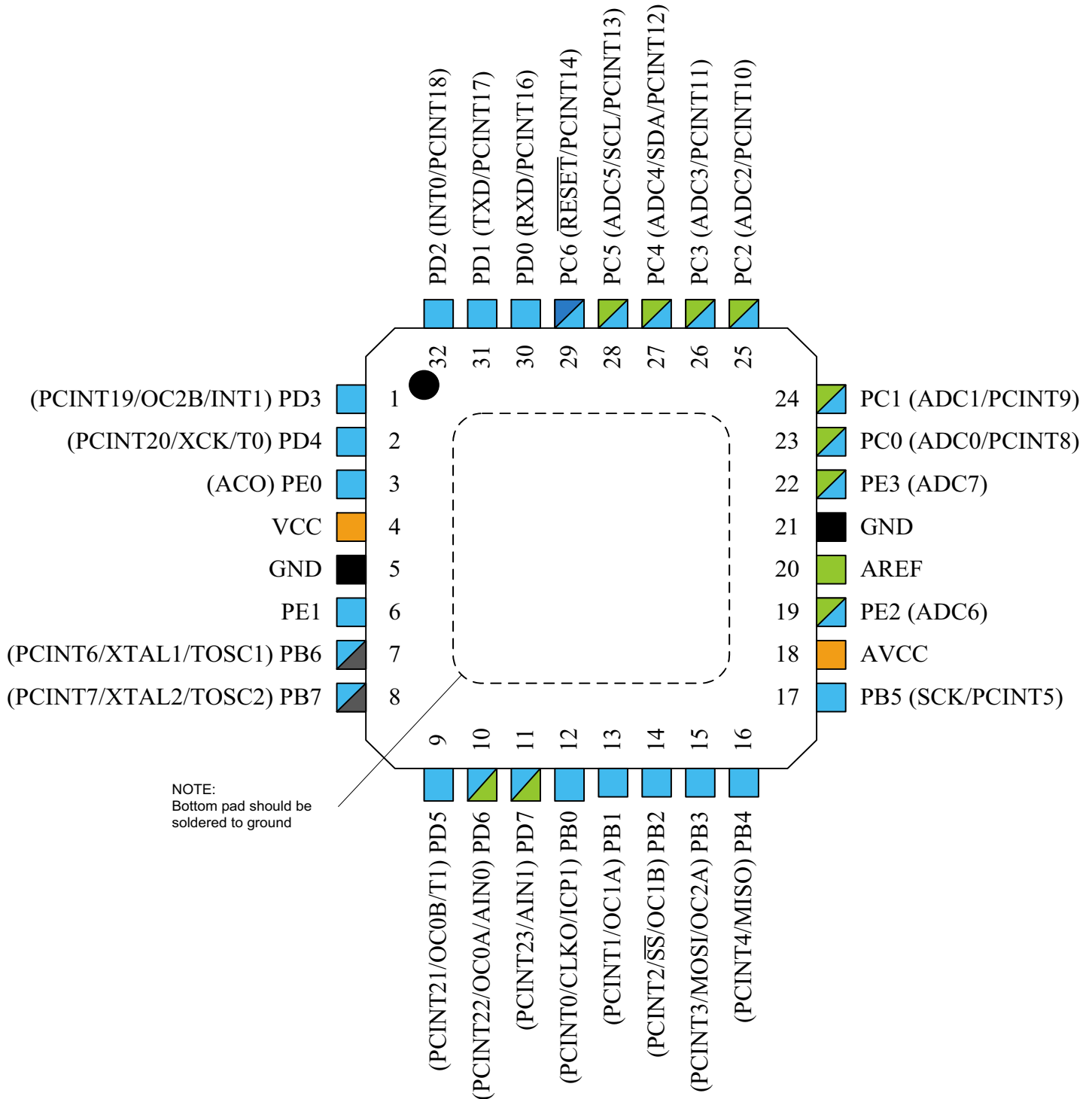


Figure 2-2. 32 VQFN Pinout ATmega48PB/88PB/168PB



## 2.1 Pin Descriptions

### 2.1.1 VCC

Digital supply voltage.

### 2.1.2 GND

Ground.

### 2.1.3 Port B (PB7:0) XTAL1/XTAL2/TOSC1/TOSC2

Port B is an 8-bit bi-directional I/O port with internal pull-up resistors (selected for each bit). The Port B output buffers have symmetrical drive characteristics with both high sink and source capability. As inputs, Port B pins that are externally pulled low will source current if the pull-up resistors are activated. The Port B pins are tri-stated when a reset condition becomes active, even if the clock is not running.

Depending on the clock selection fuse settings, PB6 can be used as input to the inverting Oscillator amplifier and input to the internal clock operating circuit.

Depending on the clock selection fuse settings, PB7 can be used as output from the inverting Oscillator amplifier.

If the Internal Calibrated RC Oscillator is used as chip clock source, PB7:6 is used as TOSC2:1 input for the Asynchronous Timer/Counter2 if the AS2 bit in ASSR is set.

The various special features of Port B are elaborated in ["Alternate Functions of Port B" on page 89](#) and ["System Clock and Clock Options" on page 36](#).

### 2.1.4 Port C (PC5:0)

Port C is a 7-bit bi-directional I/O port with internal pull-up resistors (selected for each bit). The PC5...0 output buffers have symmetrical drive characteristics with both high sink and source capability. As inputs, Port C pins that are externally pulled low will source current if the pull-up resistors are activated. The Port C pins are tri-stated when a reset condition becomes active, even if the clock is not running.

### 2.1.5 PC6/RESET

If the RSTDISBL Fuse is programmed, PC6 is used as an I/O pin. Note that the electrical characteristics of PC6 differ from those of the other pins of Port C.

If the RSTDISBL Fuse is unprogrammed, PC6 is used as a Reset input. A low level on this pin for longer than the minimum pulse length will generate a Reset, even if the clock is not running. Shorter pulses are not ensured to generate a Reset.

The various special features of Port C are elaborated in ["Alternate Functions of Port C" on page 92](#).

### 2.1.6 Port D (PD7:0)

Port D is an 8-bit bi-directional I/O port with internal pull-up resistors (selected for each bit). The Port D output buffers have symmetrical drive characteristics with both high sink and source capability. As inputs, Port D pins that are externally pulled low will source current if the pull-up resistors are activated. The Port D pins are tri-stated when a reset condition becomes active, even if the clock is not running.

The various special features of Port D are elaborated in ["Alternate Functions of Port D" on page 94](#).

### 2.1.7 Port E (PE3:0)

Port E is an 4-bit bi-directional I/O port with internal pull-up resistors (selected for each bit). The Port E output buffers have symmetrical drive characteristics with both high sink and source capability. As inputs, Port E pins that

are externally pulled low will source current if the pull-up resistors are activated. The Port E pins are tri-stated when a reset condition becomes active, even if the clock is not running.

The various special features of Port E are elaborated in ["Alternate Functions of Port E" on page 96](#).

## 2.1.8 $AV_{CC}$

$AV_{CC}$  is the supply voltage pin for the A/D Converter, PC3:0, and PE3:2. It should be externally connected to  $V_{CC}$ , even if the ADC is not used. If the ADC is used, it should be connected to  $V_{CC}$  through a low-pass filter. Note that PC6:4 use digital supply voltage,  $V_{CC}$ .

## 2.1.9 AREF

AREF is the analog reference pin for the A/D Converter.

## 2.1.10 ADC7:6 (TQFP and VQFN Package Only)

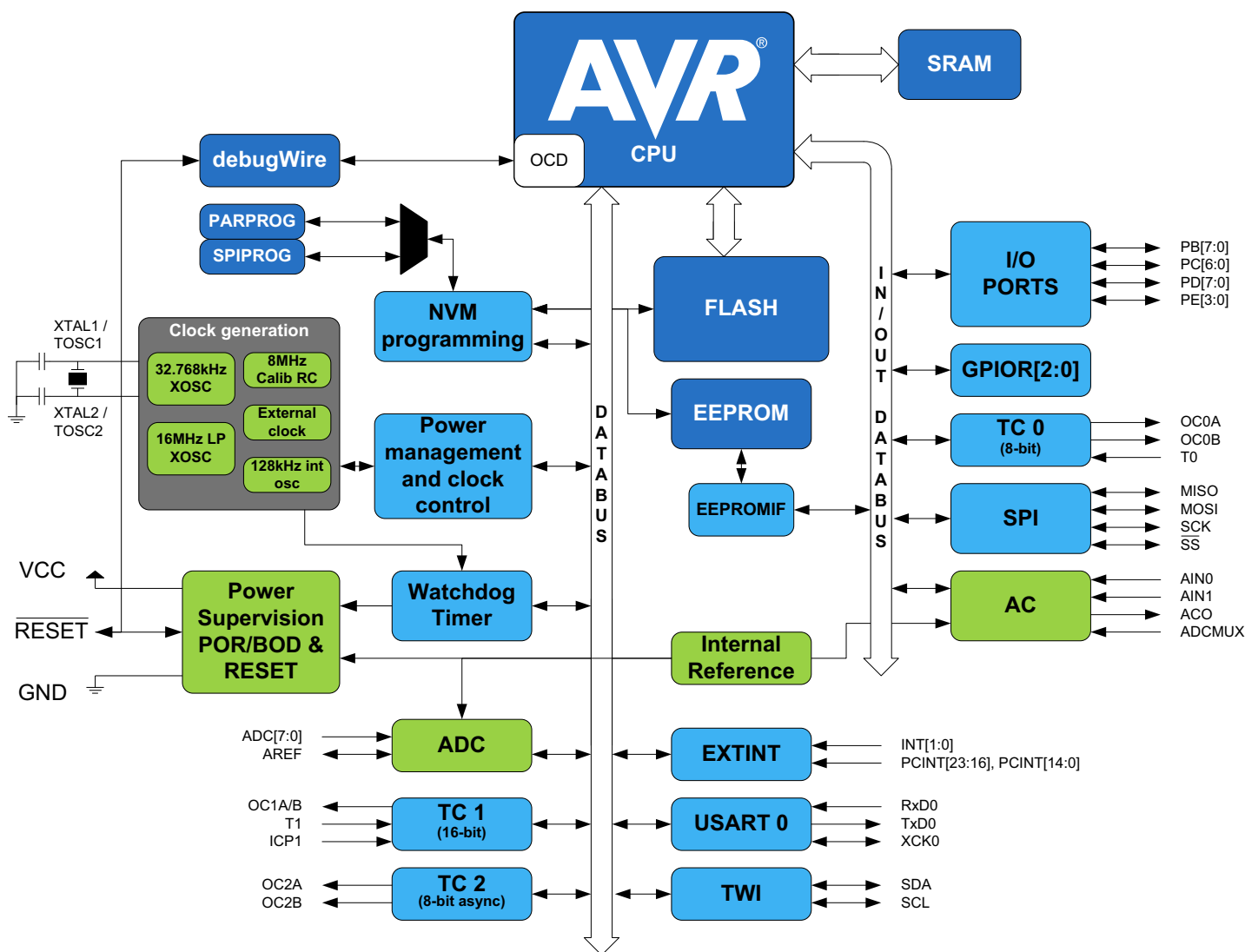
In the TQFP and VQFN package, ADC7:6 serve as analog inputs to the A/D converter. These pins are powered from the analog supply and serve as 10-bit ADC channels.

## 3. Overview

The ATmega48PB/88PB/168PB is a low-power CMOS 8-bit microcontroller based on the AVR enhanced RISC architecture. By executing powerful instructions in a single clock cycle, the ATmega48PB/88PB/168PB achieves throughputs approaching 1 MIPS per MHz allowing the system designer to optimize power consumption versus processing speed.

### 3.1 Block Diagram

Figure 3-1. Block Diagram



The AVR core combines a rich instruction set with 32 general purpose working registers. All the 32 registers are directly connected to the Arithmetic Logic Unit (ALU), allowing two independent registers to be accessed in one single instruction executed in one clock cycle. The resulting architecture is more code efficient while achieving throughputs up to ten times faster than conventional CISC microcontrollers.

The ATmega48PB/88PB/168PB provides the following features: 4/8/16Kbytes of In-System Programmable Flash with Read-While-Write capabilities, 256/512/512 bytes EEPROM, 512/1K/1Kbytes SRAM, 27 general purpose I/O lines, 32 general purpose working registers, three flexible Timer/Counters with compare modes, internal and

external interrupts, a serial programmable USART, a byte-oriented Two-Wire Serial Interface (I<sup>2</sup>C), an SPI serial port, a 6-channel 10-bit ADC (8 channels in TQFP and VQFN packages), a programmable Watchdog Timer with internal Oscillator, and six software selectable power saving modes. The Idle mode stops the CPU while allowing the SRAM, Timer/Counters, USART, Two-Wire Serial Interface, SPI port, and interrupt system to continue functioning. The Power-down mode saves the register contents but freezes the Oscillator, disabling all other chip functions until the next interrupt or hardware reset. In Power-save mode, the asynchronous timer continues to run, allowing the user to maintain a timer base while the rest of the device is sleeping. The ADC Noise Reduction mode stops the CPU and all I/O modules except asynchronous timer and ADC, to minimize switching noise during ADC conversions. In Standby mode, the crystal/resonator Oscillator is running while the rest of the device is sleeping. This allows very fast start-up combined with low power consumption.

Microchip offers the QTouch<sup>®</sup> library for embedding capacitive touch buttons, sliders and wheels functionality into AVR<sup>®</sup> microcontrollers. The patented charge-transfer signal acquisition offers robust sensing and includes fully debounced reporting of touch keys and includes Adjacent Key Suppression™ (AKS™) technology for unambiguous detection of key events. The easy-to-use QTouch Composer allows you to explore, develop and debug your own touch applications.

The device is manufactured using Microchip's high density non-volatile memory technology. The On-chip ISP Flash allows the program memory to be reprogrammed In-System through an SPI serial interface, by a conventional non-volatile memory programmer, or by an On-chip Boot program running on the AVR core. The Boot program can use any interface to download the application program in the Application Flash memory. Software in the Boot Flash section will continue to run while the Application Flash section is updated, providing true Read-While-Write operation. By combining an 8-bit RISC CPU with In-System Self-Programmable Flash on a monolithic chip, the Microchip ATmega48PB/88PB/168PB is a powerful microcontroller that provides a highly flexible and cost effective solution to many embedded control applications.

The ATmega48PB/88PB/168PB AVR is supported with a full suite of program and system development tools including: C Compilers, Macro Assemblers, Program Debugger/Simulators, In-Circuit Emulators, and Evaluation kits.

## 3.2 Comparison Between Processors

The ATmega48PB/88PB/168PB differ only in memory sizes, boot loader support, and interrupt vector sizes. [Table 3-1](#) summarizes the different memory and interrupt vector sizes for the devices.

**Table 3-1. Memory Size Summary**

| Device      | Flash    | EEPROM   | RAM      | Interrupt Vector Size      |
|-------------|----------|----------|----------|----------------------------|
| ATmega48PB  | 4KBytes  | 256Bytes | 512Bytes | 1 instruction word/vector  |
| ATmega88PB  | 8KBytes  | 512Bytes | 1KBytes  | 1 instruction word/vector  |
| ATmega168PB | 16KBytes | 512Bytes | 1KBytes  | 2 instruction words/vector |

ATmega88PB/168PB support a real Read-While-Write Self-Programming mechanism. There is a separate Boot Loader Section, and the SPM instruction can only execute from there. In ATmega48PB there is no Read-While-Write support and no separate Boot Loader Section. The SPM instruction can execute from the entire Flash

## 4. Resources

A comprehensive set of development tools, application notes and datasheets are available for download on [www.microchip.com](http://www.microchip.com).

## 5. Data Retention

Reliability Qualification results show that the projected data retention failure rate is much less than 1 PPM over 20 years at 85°C or 100 years at 25°C.

## 6. About Code Examples

This documentation contains simple code examples that briefly show how to use various parts of the device. These code examples assume that the part specific header file is included before compilation. Be aware that not all C compiler vendors include bit definitions in the header files and interrupt handling in C is compiler dependent. Confirm with the C compiler documentation for more details.

For I/O Registers located in extended I/O map, “IN”, “OUT”, “SBIS”, “SBIC”, “CBI”, and “SBI” instructions must be replaced with instructions that allow access to extended I/O. Typically “LDS” and “STS” combined with “SBR”, “SBRC”, “SBR”, and “CBR”.

## 7. Capacitive Touch Sensing

### 7.1 QTouch® Library

The Microchip QTouch® Library provides a simple to use solution to realize touch sensitive interfaces on most Microchip AVR® microcontrollers. The library supports both QTouch (self-capacitance) and QMatrix (mutual-capacitance) acquisition methods.

Touch sensing can be added to any application by linking the appropriate Microchip QTouch Library for the AVR Microcontroller. This is done by using a simple set of APIs to define the touch channels and sensors, and then calling the touch sensing API's to retrieve the channel information and determine the touch sensor states.

The QTouch Library is FREE and downloadable from the Microchip website at the following location: [www.microchip.com](http://www.microchip.com). For implementation details and other information, refer to the [Atmel QTouch Library User Guide](#) - also available for download from the Microchip website.

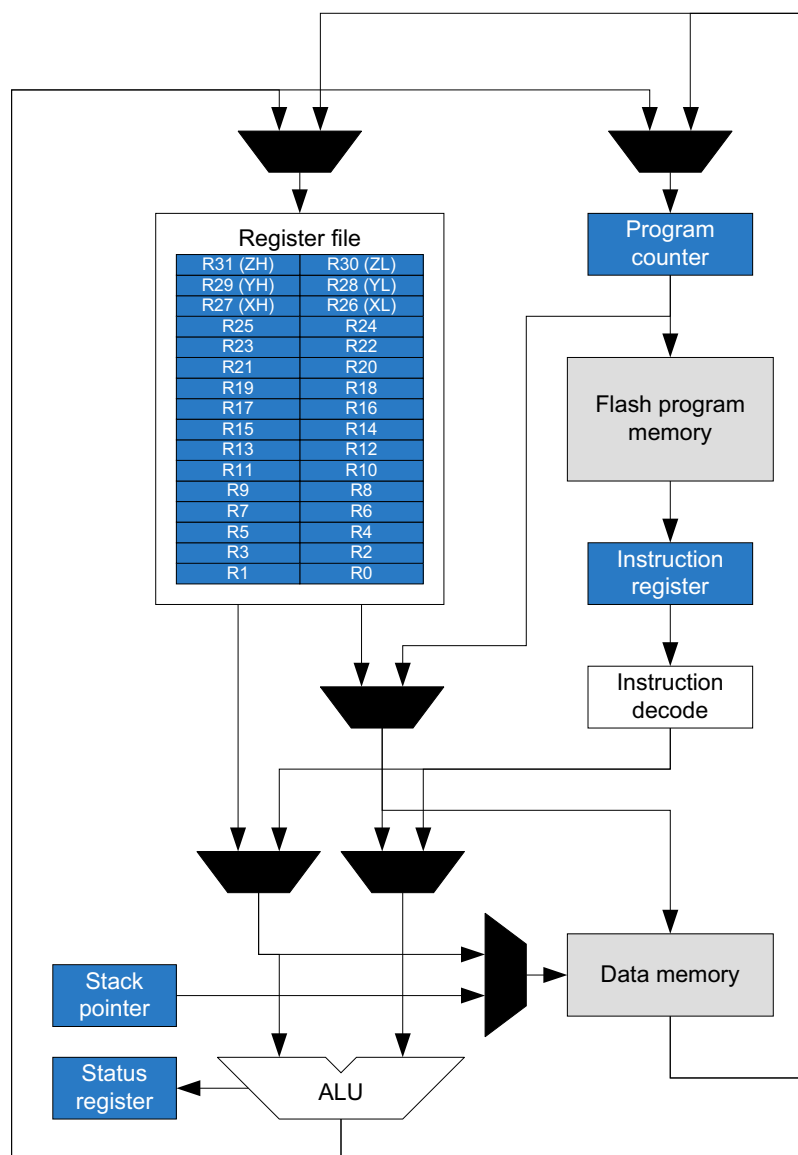


## 8. AVR® CPU Core

### 8.1 Overview

This section discusses the AVR core architecture in general. The main function of the CPU core is to ensure correct program execution. The CPU must therefore be able to access memories, perform calculations, control peripherals, and handle interrupts.

Figure 8-1. Block Diagram of the AVR® Architecture



In order to maximize performance and parallelism, the AVR uses a Harvard architecture – with separate memories and buses for program and data. Instructions in the program memory are executed with a single level pipelining. While one instruction is being executed, the next instruction is pre-fetched from the program memory. This concept enables instructions to be executed in every clock cycle. The program memory is In-System Reprogrammable Flash memory.

The fast-access Register File contains 32 x 8-bit general purpose working registers with a single clock cycle access time. This allows single-cycle Arithmetic Logic Unit (ALU) operation. In a typical ALU operation, two operands are output from the Register File, the operation is executed, and the result is stored back in the Register File – in one clock cycle.

Six of the 32 registers can be used as three 16-bit indirect address register pointers for Data Space addressing – enabling efficient address calculations. One of these address pointers can also be used as an address pointer for look up tables in Flash program memory. These added function registers are the 16-bit X-, Y-, and Z-register, described later in this section.

The ALU supports arithmetic and logic operations between registers or between a constant and a register. Single register operations can also be executed in the ALU. After an arithmetic operation, the Status Register is updated to reflect information about the result of the operation.

Program flow is provided by conditional and unconditional jump and call instructions, able to directly address the whole address space. Most AVR instructions have a single 16-bit word format. Every program memory address contains a 16- or 32-bit instruction.

Program Flash memory space is divided in two sections, the Boot Program section and the Application Program section. Both sections have dedicated Lock bits for write and read/write protection. The SPM instruction that writes into the Application Flash memory section must reside in the Boot Program section.

During interrupts and subroutine calls, the return address Program Counter (PC) is stored on the Stack. The Stack is effectively allocated in the general data SRAM, and consequently the Stack size is only limited by the total SRAM size and the usage of the SRAM. All user programs must initialize the SP in the Reset routine (before subroutines or interrupts are executed). The Stack Pointer (SP) is read/write accessible in the I/O space. The data SRAM can easily be accessed through the five different addressing modes supported in the AVR architecture.

The memory spaces in the AVR architecture are all linear and regular memory maps.

A flexible interrupt module has its control registers in the I/O space with an additional Global Interrupt Enable bit in the Status Register. All interrupts have a separate Interrupt Vector in the Interrupt Vector table. The interrupts have priority in accordance with their Interrupt Vector position. The lower the Interrupt Vector address, the higher the priority.

The I/O memory space contains 64 addresses for CPU peripheral functions as Control Registers, SPI, and other I/O functions. The I/O Memory can be accessed directly, or as the Data Space locations following those of the Register File, 0x20 - 0x5F. In addition, the ATmega48PB/88PB/168PB has Extended I/O space from 0x60 - 0xFF in SRAM where only the ST/STS/STD and LD/LDS/LDD instructions can be used.

## 8.2 ALU – Arithmetic Logic Unit

The high-performance AVR ALU operates in direct connection with all the 32 general purpose working registers. Within a single clock cycle, arithmetic operations between general purpose registers or between a register and an immediate are executed. The ALU operations are divided into three main categories – arithmetic, logical, and bit-functions. Some implementations of the architecture also provide a powerful multiplier supporting both signed/unsigned multiplication and fractional format. See the “Instruction Set” section for a detailed description.

## 8.3 Status Register

The Status Register contains information about the result of the most recently executed arithmetic instruction. This information can be used for altering program flow in order to perform conditional operations. Note that the Status Register is updated after all ALU operations, as specified in the Instruction Set Reference. This will in many cases remove the need for using the dedicated compare instructions, resulting in faster and more compact code.

The Status Register is not automatically stored when entering an interrupt routine and restored when returning from an interrupt. This must be handled by software.

## 8.3.1 SREG – AVR® Status Register

The AVR Status Register – SREG – is defined as:

|               |   |     |     |     |     |     |     |     |      |   |   |   |   |   |   |   |
|---------------|---|-----|-----|-----|-----|-----|-----|-----|------|---|---|---|---|---|---|---|
| Bit           | 7   | 6   | 5   | 4   | 3   | 2   | 1   | 0   | SREG |   |   |   |   |   |   |   |
| 0x3F (0x5F)   | <table style="width: 100%; border-collapse: collapse;"> <tr> <td style="width: 12.5%; border: 1px solid black; text-align: center;">I</td> <td style="width: 12.5%; border: 1px solid black; text-align: center;">T</td> <td style="width: 12.5%; border: 1px solid black; text-align: center;">H</td> <td style="width: 12.5%; border: 1px solid black; text-align: center;">S</td> <td style="width: 12.5%; border: 1px solid black; text-align: center;">V</td> <td style="width: 12.5%; border: 1px solid black; text-align: center;">N</td> <td style="width: 12.5%; border: 1px solid black; text-align: center;">Z</td> <td style="width: 12.5%; border: 1px solid black; text-align: center;">C</td> </tr> </table> |     |     |     |     |     |     |     | I    | T | H | S | V | N | Z | C |
| I             | T   | H   | S   | V   | N   | Z   | C   |     |      |   |   |   |   |   |   |   |
| Read/Write    | R/W   | R/W | R/W | R/W | R/W | R/W | R/W | R/W |      |   |   |   |   |   |   |   |
| Initial Value | 0   | 0   | 0   | 0   | 0   | 0   | 0   | 0   |      |   |   |   |   |   |   |   |

- **Bit 7 – I: Global Interrupt Enable**

The Global Interrupt Enable bit must be set for the interrupts to be enabled. The individual interrupt enable control is then performed in separate control registers. If the Global Interrupt Enable Register is cleared, none of the interrupts are enabled independent of the individual interrupt enable settings. The I-bit is cleared by hardware after an interrupt has occurred, and is set by the RETI instruction to enable subsequent interrupts. The I-bit can also be set and cleared by the application with the SEI and CLI instructions, as described in the instruction set reference.

- **Bit 6 – T: Bit Copy Storage**

The Bit Copy instructions BLD (Bit Load) and BST (Bit Store) use the T-bit as source or destination for the operated bit. A bit from a register in the Register File can be copied into T by the BST instruction, and a bit in T can be copied into a bit in a register in the Register File by the BLD instruction.

- **Bit 5 – H: Half Carry Flag**

The Half Carry Flag H indicates a Half Carry in some arithmetic operations. Half Carry Is useful in BCD arithmetic. See the “Instruction Set Description” for detailed information.

- **Bit 4 – S: Sign Bit,  $S = N \oplus V$**

The S-bit is always an exclusive or between the Negative Flag N and the Two’s Complement Overflow Flag V. See the “Instruction Set Description” for detailed information.

- **Bit 3 – V: Two’s Complement Overflow Flag**

The Two’s Complement Overflow Flag V supports two’s complement arithmetic. See the “Instruction Set Description” for detailed information.

- **Bit 2 – N: Negative Flag**

The Negative Flag N indicates a negative result in an arithmetic or logic operation. See the “Instruction Set Description” for detailed information.

- **Bit 1 – Z: Zero Flag**

The Zero Flag Z indicates a zero result in an arithmetic or logic operation. See the “Instruction Set Description” for detailed information.

- **Bit 0 – C: Carry Flag**

The Carry Flag C indicates a carry in an arithmetic or logic operation. See the “Instruction Set Description” for detailed information.

## 8.4 General Purpose Register File

The Register File is optimized for the AVR Enhanced RISC instruction set. In order to achieve the required performance and flexibility, the following input/output schemes are supported by the Register File:

- One 8-bit output operand and one 8-bit result input
- Two 8-bit output operands and one 8-bit result input
- Two 8-bit output operands and one 16-bit result input
- One 16-bit output operand and one 16-bit result input

Figure 8-2 shows the structure of the 32 general purpose working registers in the CPU.

**Figure 8-2. AVR® CPU General Purpose Working Registers**

|  | 7 | 0   | Addr. |                      |
|--|---|-----|-------|----------------------|
| General<br>Purpose<br>Working<br>Registers |   | R0  | 0x00  |                      |
|  |   | R1  | 0x01  |                      |
|  |   | R2  | 0x02  |                      |
|  |   | ... |       |                      |
|  |   | R13 | 0x0D  |                      |
|  |   | R14 | 0x0E  |                      |
|  |   | R15 | 0x0F  |                      |
|  |   | R16 | 0x10  |                      |
|  |   | R17 | 0x11  |                      |
|  |   | ... |       |                      |
|  |   | R26 | 0x1A  | X-register Low Byte  |
|  |   | R27 | 0x1B  | X-register High Byte |
|  |   | R28 | 0x1C  | Y-register Low Byte  |
|  |   | R29 | 0x1D  | Y-register High Byte |
|  |   | R30 | 0x1E  | Z-register Low Byte  |
|  |   | R31 | 0x1F  | Z-register High Byte |

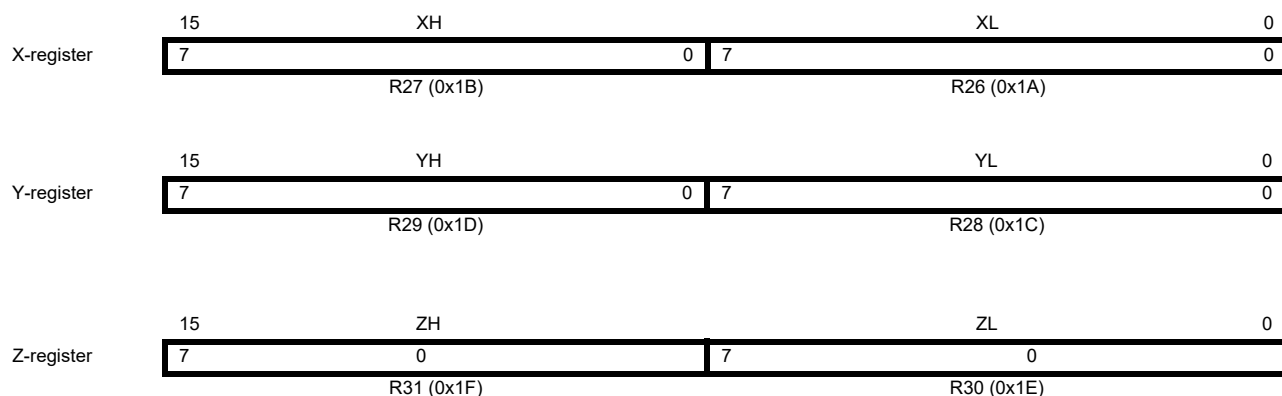
Most of the instructions operating on the Register File have direct access to all registers, and most of them are single cycle instructions.

As shown in Figure 8-2, each register is also assigned a data memory address, mapping them directly into the first 32 locations of the user Data Space. Although not being physically implemented as SRAM locations, this memory organization provides great flexibility in access of the registers, as the X-, Y-, and Z-pointer registers can be set to index any register in the file.

### 8.4.1 The X-register, Y-register, and Z-register

The registers R26...R31 have some added functions to their general purpose usage. These registers are 16-bit address pointers for indirect addressing of the data space. The three indirect address registers X, Y, and Z are defined as described in Figure 8-3.

**Figure 8-3. The X-, Y-, and Z-registers**



In the different addressing modes these address registers have functions as fixed displacement, automatic increment, and automatic decrement (see the instruction set reference for details).

## 8.5 Stack Pointer

The Stack is mainly used for storing temporary data, for storing local variables and for storing return addresses after interrupts and subroutine calls. Note that the Stack is implemented as growing from higher to lower memory locations. The Stack Pointer Register always points to the top of the Stack. The Stack Pointer points to the data SRAM Stack area where the Subroutine and Interrupt Stacks are located. A Stack PUSH command will decrease the Stack Pointer.

The Stack in the data SRAM must be defined by the program before any subroutine calls are executed or interrupts are enabled. Initial Stack Pointer value equals the last address of the internal SRAM and the Stack Pointer must be set to point above start of the SRAM, see [Table 9-3 on page 27](#).

See [Table 8-1](#) for Stack Pointer details.

**Table 8-1. Stack Pointer instructions**

| Instruction            | Stack pointer  | Description  |
|------------------------|----------------|--|
| PUSH                   | Decrement by 1 | Data is pushed onto the stack  |
| CALL<br>ICALL<br>RCALL | Decrement by 2 | Return address is pushed onto the stack with a subroutine call or interrupt                  |
| POP                    | Increment by 1 | Data is popped from the stack  |
| RET<br>RETI            | Increment by 2 | Return address is popped from the stack with return from subroutine or return from interrupt |

The AVR Stack Pointer is implemented as two 8-bit registers in the I/O space. The number of bits actually used is implementation dependent. Note that the data space in some implementations of the AVR architecture is so small that only SPL is needed. In this case, the SPH Register will not be present.

## 8.5.1 SPH and SPL – Stack Pointer High and Stack Pointer Low Register

| Bit           | 15          | 14          | 13          | 12          | 11          | 10          | 9          | 8          |     |
|---------------|-------------|-------------|-------------|-------------|-------------|-------------|------------|------------|-----|
| 0x3E (0x5E)   | <b>SP15</b> | <b>SP14</b> | <b>SP13</b> | <b>SP12</b> | <b>SP11</b> | <b>SP10</b> | <b>SP9</b> | <b>SP8</b> | SPH |
| 0x3D (0x5D)   | <b>SP7</b>  | <b>SP6</b>  | <b>SP5</b>  | <b>SP4</b>  | <b>SP3</b>  | <b>SP2</b>  | <b>SP1</b> | <b>SP0</b> | SPL |
| Read/Write    | R/W         | R/W         | R/W         | R/W         | R/W         | R/W         | R/W        | R/W        |     |
| Initial Value | RAMEND      | RAMEND      | RAMEND      | RAMEND      | RAMEND      | RAMEND      | RAMEND     | RAMEND     |     |

## 8.6 Instruction Execution Timing

This section describes the general access timing concepts for instruction execution. The AVR CPU is driven by the CPU clock  $clk_{CPU}$ , directly generated from the selected clock source for the chip. No internal clock division is used.

Figure 8-4 shows the parallel instruction fetches and instruction executions enabled by the Harvard architecture and the fast-access Register File concept. This is the basic pipelining concept to obtain up to 1 MIPS per MHz with the corresponding unique results for functions per cost, functions per clocks, and functions per power-unit.

**Figure 8-4. The Parallel Instruction Fetches and Instruction Executions**

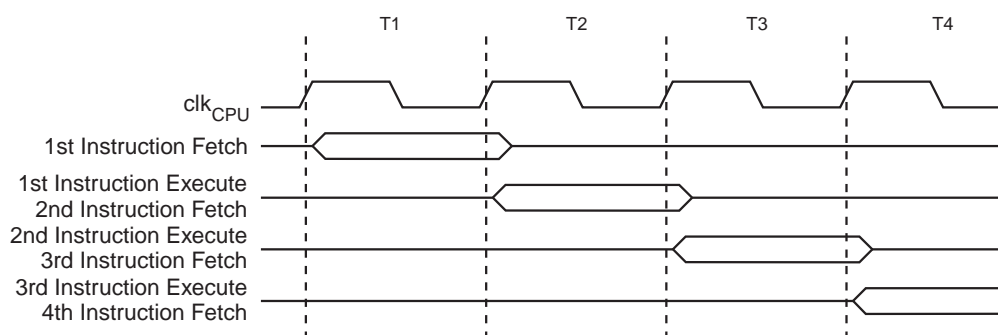
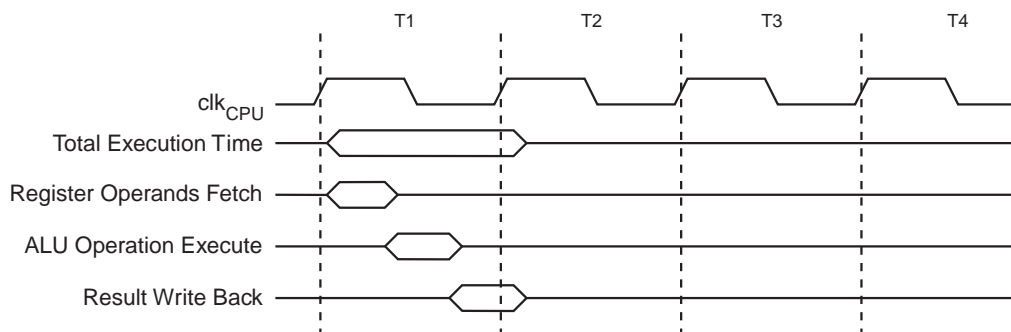


Figure 8-5 shows the internal timing concept for the Register File. In a single clock cycle an ALU operation using two register operands is executed, and the result is stored back to the destination register.

**Figure 8-5. Single Cycle ALU Operation**



## 8.7 Reset and Interrupt Handling

The AVR provides several different interrupt sources. These interrupts and the separate Reset Vector each have a separate program vector in the program memory space. All interrupts are assigned individual enable bits which must be written logic one together with the Global Interrupt Enable bit in the Status Register in order to enable the

interrupt. Depending on the Program Counter value, interrupts may be automatically disabled when Boot Lock bits BLB02 or BLB12 are programmed. This feature improves software security. See the section "[Memory Programming](#)" on page 292 for details.

The lowest addresses in the program memory space are by default defined as the Reset and Interrupt Vectors. The complete list of vectors is shown in "[Interrupts](#)" on page 65. The list also determines the priority levels of the different interrupts. The lower the address the higher is the priority level. RESET has the highest priority, and next is INT0 – the External Interrupt Request 0. The Interrupt Vectors can be moved to the start of the Boot Flash section by setting the IVSEL bit in the MCU Control Register (MCUCR). Refer to "[Interrupts](#)" on page 65 for more information. The Reset Vector can also be moved to the start of the Boot Flash section by programming the BOOTRST Fuse, see "[Boot Loader Support – Read-While-Write Self-Programming](#)" on page 276.

When an interrupt occurs, the Global Interrupt Enable I-bit is cleared and all interrupts are disabled. The user software can write logic one to the I-bit to enable nested interrupts. All enabled interrupts can then interrupt the current interrupt routine. The I-bit is automatically set when a Return from Interrupt instruction – RETI – is executed.

There are basically two types of interrupts. The first type is triggered by an event that sets the Interrupt Flag. For these interrupts, the Program Counter is vectored to the actual Interrupt Vector in order to execute the interrupt handling routine, and hardware clears the corresponding Interrupt Flag. Interrupt Flags can also be cleared by writing a logic one to the flag bit position(s) to be cleared. If an interrupt condition occurs while the corresponding interrupt enable bit is cleared, the Interrupt Flag will be set and remembered until the interrupt is enabled, or the flag is cleared by software. Similarly, if one or more interrupt conditions occur while the Global Interrupt Enable bit is cleared, the corresponding Interrupt Flag(s) will be set and remembered until the Global Interrupt Enable bit is set, and will then be executed by order of priority.

The second type of interrupts will trigger as long as the interrupt condition is present. These interrupts do not necessarily have Interrupt Flags. If the interrupt condition disappears before the interrupt is enabled, the interrupt will not be triggered.

When the AVR exits from an interrupt, it will always return to the main program and execute one more instruction before any pending interrupt is served.

Note that the Status Register is not automatically stored when entering an interrupt routine, nor restored when returning from an interrupt routine. This must be handled by software.

When using the CLI instruction to disable interrupts, the interrupts will be immediately disabled. No interrupt will be executed after the CLI instruction, even if it occurs simultaneously with the CLI instruction. The following example shows how this can be used to avoid interrupts during the timed EEPROM write sequence.

| Assembly Code Example  |  |
|--|--|
| <pre> <b>in</b>          r16, SREG                                ; store SREG value <b>cli</b>                                ; disable interrupts during timed sequence <b>sbi</b>          EECR, EEMPE                            ; start EEPROM write <b>sbi</b>          EECR, EEPE <b>out</b>          SREG, r16                               ; restore SREG value (I-bit) </pre> |  |
| C Code Example   |  |
| <pre> <b>char</b> cSREG; cSREG = SREG; /* store SREG value */ /* disable interrupts during timed sequence */ _cli(); EECR  = (1&lt;&lt;EEMPE); /* start EEPROM write */ EECR  = (1&lt;&lt;EEPE); SREG = cSREG; /* restore SREG value (I-bit) */ </pre>   |  |

When using the SEI instruction to enable interrupts, the instruction following SEI will be executed before any pending interrupts, as shown in this example.

| Assembly Code Example   |  |
|---|--|
| <pre> <b>sei</b>                                ; set Global Interrupt Enable <b>sleep</b>                               ; enter sleep, waiting for interrupt ; note: will enter sleep before any pending interrupt(s) </pre> |  |
| C Code Example  |  |
| <pre> __enable_interrupt(); /* set Global Interrupt Enable */ __sleep(); /* enter sleep, waiting for interrupt */ /* note: will enter sleep before any pending interrupt(s) */ </pre>   |  |

## 8.7.1 Interrupt Response Time

The interrupt execution response for all the enabled AVR interrupts is four clock cycles minimum. After four clock cycles the program vector address for the actual interrupt handling routine is executed. During this four clock cycle period, the Program Counter is pushed onto the Stack. The vector is normally a jump to the interrupt routine, and this jump takes three clock cycles. If an interrupt occurs during execution of a multi-cycle instruction, this instruction is completed before the interrupt is served. If an interrupt occurs when the MCU is in sleep mode, the interrupt execution response time is increased by four clock cycles. This increase comes in addition to the start-up time from the selected sleep mode.

A return from an interrupt handling routine takes four clock cycles. During these four clock cycles, the Program Counter (two bytes) is popped back from the Stack, the Stack Pointer is incremented by two, and the I-bit in SREG is set.



## 9. AVR® Memories

### 9.1 Overview

This section describes the different memories in the ATmega48PB/88PB/168PB. The AVR architecture has two main memory spaces, the Data Memory and the Program Memory space. In addition, the ATmega48PB/88PB/168PB features an EEPROM Memory for data storage. All three memory spaces are linear and regular.

### 9.2 In-System Reprogrammable Flash Program Memory

The ATmega48PB/88PB/168PB contains 4/8/16Kbytes On-chip In-System Reprogrammable Flash memory for program storage. Since all AVR instructions are 16 or 32 bits wide, the Flash is organized as 2/4/8K x 16. For software security, the Flash Program memory space is divided into two sections, Boot Loader Section and Application Program Section in ATmega88PB and ATmega168PB. See SPMEN description in section "[SPMCSR – Store Program Memory Control and Status Register](#)" on page 290 for more details.

The Flash memory has an endurance of at least 10,000 write/erase cycles. The ATmega48PB/88PB/168PB Program Counter (PC) is 11/12/13 bits wide, thus addressing the 2/4/8K program memory locations. The operation of Boot Program section and associated Boot Lock bits for software protection are described in detail in "[Self-Programming the Flash, ATmega48PB](#)" on page 268 and "[Boot Loader Support – Read-While-Write Self-Programming](#)" on page 276. "[Memory Programming](#)" on page 292 contains a detailed description on Flash Programming in SPI- or Parallel Programming mode.

Constant tables can be allocated within the entire program memory address space (see the LPM – Load Program Memory instruction description).

Timing diagrams for instruction fetch and execution are presented in "[Instruction Execution Timing](#)" on page 22.

Figure 9-1. Program Memory Map ATmega48PB

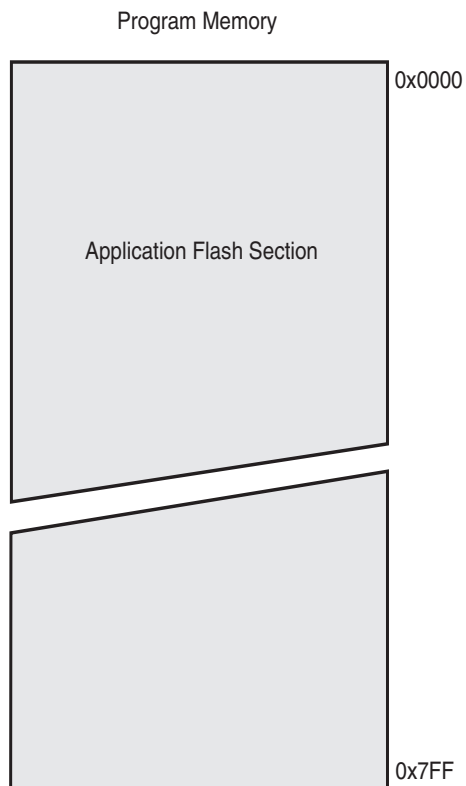
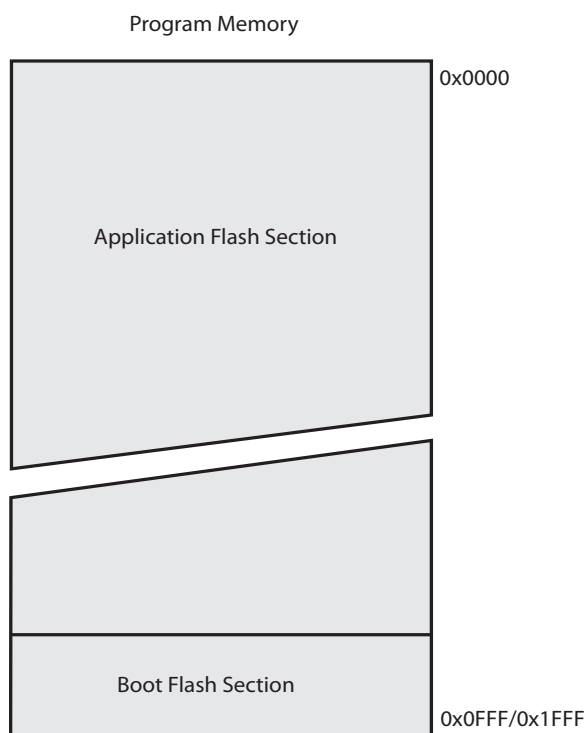


Figure 9-2. Program Memory Map ATmega88PB and ATmega168PB ,



## 9.3 SRAM Data Memory

Figure 9-3 shows how the ATmega48PB/88PB/168PB SRAM Memory is organized.

The ATmega48PB/88PB/168PB is a complex microcontroller with more peripheral units than can be supported within the 64 locations reserved in the Opcode for the IN and OUT instructions. For the Extended I/O space from 0x60 - 0xFF in SRAM, only the ST/STS/STD and LD/LDS/LDD instructions can be used.

The lower 768/1280/1280 data memory locations address both the Register File, the I/O memory, Extended I/O memory, and the internal data SRAM. The first 32 locations address the Register File, the next 64 location the standard I/O memory, then 160 locations of Extended I/O memory, and the next 512/1024/1024 locations address the internal data SRAM.

The five different addressing modes for the data memory cover: Direct, Indirect with Displacement, Indirect, Indirect with Pre-decrement, and Indirect with Post-increment. In the Register File, registers R26 to R31 feature the indirect addressing pointer registers.

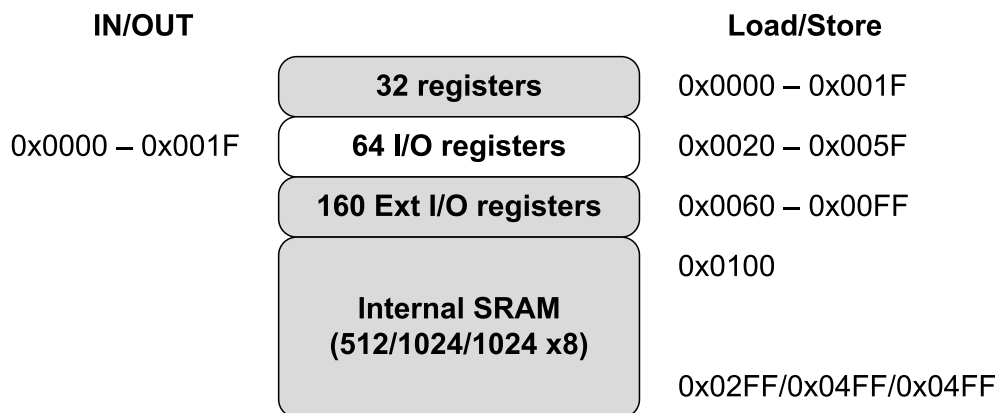
The direct addressing reaches the entire data space.

The Indirect with Displacement mode reaches 63 address locations from the base address given by the Y- or Z-register.

When using register indirect addressing modes with automatic pre-decrement and post-increment, the address registers X, Y, and Z are decremented or incremented.

The 32 general purpose working registers, 64 I/O Registers, 160 Extended I/O Registers, and the 512/1024/1024 bytes of internal data SRAM in the ATmega48PB/88PB/168PB are all accessible through all these addressing modes. The Register File is described in ["General Purpose Register File" on page 20](#).

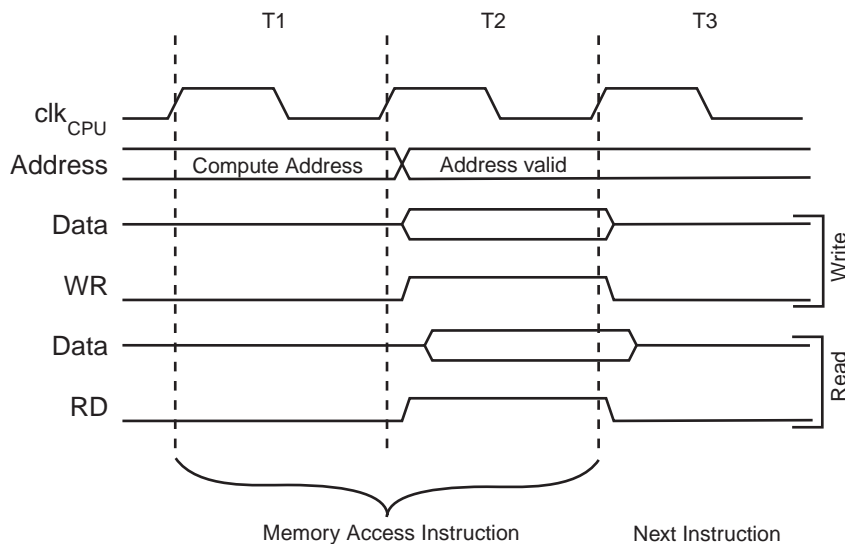
**Figure 9-3. Data Memory Map**



## 9.3.1 Data Memory Access Times

This section describes the general access timing concepts for internal memory access. The internal data SRAM access is performed in two  $\text{clk}_{\text{CPU}}$  cycles as described in [Figure 9-4](#).

**Figure 9-4. On-chip Data SRAM Access Cycles**



## 9.4 EEPROM Data Memory

The ATmega48PB/88PB/168PB contains 256/512/512bytes of data EEPROM memory. It is organized as a separate data space, in which single bytes can be read and written. The EEPROM has an endurance of at least 100,000 write/erase cycles. The access between the EEPROM and the CPU is described in the following, specifying the EEPROM Address Registers, the EEPROM Data Register, and the EEPROM Control Register.

["Memory Programming" on page 292](#) contains a detailed description on EEPROM Programming in SPI or Parallel Programming mode.

### 9.4.1 EEPROM Read/Write Access

The EEPROM Access Registers are accessible in the I/O space.

The write access time for the EEPROM is given in [Table 9-2 on page 32](#). A self-timing function, however, lets the user software detect when the next byte can be written. If the user code contains instructions that write the EEPROM, some precautions must be taken. In heavily filtered power supplies,  $V_{\text{CC}}$  is likely to rise or fall slowly on power-up/down. This causes the device for some period of time to run at a voltage lower than specified as minimum for the clock frequency used. See ["Preventing EEPROM Corruption" on page 29](#) for details on how to avoid problems in these situations.

In order to prevent unintentional EEPROM writes, a specific write procedure must be followed. Refer to the description of the EEPROM Control Register for details on this.

When the EEPROM is read, the CPU is halted for four clock cycles before the next instruction is executed. When the EEPROM is written, the CPU is halted for two clock cycles before the next instruction is executed.

## 9.4.2 Preventing EEPROM Corruption

During periods of low  $V_{CC}$ , the EEPROM data can be corrupted because the supply voltage is too low for the CPU and the EEPROM to operate properly. These issues are the same as for board level systems using EEPROM, and the same design solutions should be applied.

An EEPROM data corruption can be caused by two situations when the voltage is too low. First, a regular write sequence to the EEPROM requires a minimum voltage to operate correctly. Secondly, the CPU itself can execute instructions incorrectly, if the supply voltage is too low.

EEPROM data corruption can easily be avoided by following this design recommendation:

Keep the AVR RESET active (low) during periods of insufficient power supply voltage. This can be done by enabling the internal Brown-out Detector (BOD). If the detection level of the internal BOD does not match the needed detection level, an external low  $V_{CC}$  reset Protection circuit can be used. If a reset occurs while a write operation is in progress, the write operation will be completed provided that the power supply voltage is sufficient.

## 9.5 I/O Memory

The I/O space definition of the ATmega48PB/88PB/168PB is shown in ["Register Summary" on page 373](#).

All ATmega48PB/88PB/168PB I/Os and peripherals are placed in the I/O space. All I/O locations may be accessed by the LD/LDS/LDD and ST/STS/STD instructions, transferring data between the 32 general purpose working registers and the I/O space. I/O Registers within the address range 0x00 - 0x1F are directly bit-accessible using the SBI and CBI instructions. In these registers, the value of single bits can be checked by using the SBIS and SBIC instructions. Refer to the instruction set section for more details. When using the I/O specific commands IN and OUT, the I/O addresses 0x00 - 0x3F must be used. When addressing I/O Registers as data space using LD and ST instructions, 0x20 must be added to these addresses. The ATmega48PB/88PB/168PB is a complex microcontroller with more peripheral units than can be supported within the 64 location reserved in Opcode for the IN and OUT instructions. For the Extended I/O space from 0x60 - 0xFF in SRAM, only the ST/STS/STD and LD/LDS/LDD instructions can be used.

For compatibility with future devices, reserved bits should be written to zero if accessed. Reserved I/O memory addresses should never be written.

Some of the Status Flags are cleared by writing a logical one to them. Note that, unlike most other AVR, the CBI and SBI instructions will only operate on the specified bit, and can therefore be used on registers containing such Status Flags. The CBI and SBI instructions work with registers 0x00 to 0x1F only.

The I/O and peripherals control registers are explained in later sections.

### 9.5.1 General Purpose I/O Registers

The ATmega48PB/88PB/168PB contains three General Purpose I/O Registers. These registers can be used for storing any information, and they are particularly useful for storing global variables and Status Flags. General Purpose I/O Registers within the address range 0x00 - 0x1F are directly bit-accessible using the SBI, CBI, SBIS, and SBIC instructions.

## 9.6 Register Description

### 9.6.1 EEARH and EEARL – The EEPROM Address Register

| Bit           | 15    | 14    | 13    | 12    | 11    | 10    | 9                    | 8                    |       |
|---------------|-------|-------|-------|-------|-------|-------|----------------------|----------------------|-------|
| 0x22 (0x42)   | –     | –     | –     | –     | –     | –     | EEAR9 <sup>(1)</sup> | EEAR8 <sup>(1)</sup> | EEARH |
| 0x21 (0x41)   | EEAR7 | EEAR6 | EEAR5 | EEAR4 | EEAR3 | EEAR2 | EEAR1                | EEAR0                | EEARL |
| Read/Write    | R     | R     | R     | R     | R     | R     | R                    | R/W                  |       |
| Initial Value | 0     | 0     | 0     | 0     | 0     | 0     | 0                    | X                    |       |
|               | X     | X     | X     | X     | X     | X     | X                    | X                    |       |

- **Bits [15:10] – Reserved**

These bits are reserved bits in the ATmega48PB/88PB/168PB and will always read as zero.

- **Bits 9:0 – EEAR[9:0]: EEPROM Address**

The EEPROM Address Registers – EEARH and EEARL specify the EEPROM address in the 256/512/512 Bytes EEPROM space. The EEPROM data bytes are addressed linearly between 0 and 255/511/511. The initial value of EEAR is undefined. A proper value must be written before the EEPROM may be accessed.

Note: 1. EEAR9 and EEAR8 are unused bits in ATmega48PB and must always be written to zero.

### 9.6.2 EEDR – The EEPROM Data Register

| Bit           | 7   | 6   | 5   | 4   | 3   | 2   | 1   | 0   |      |
|---------------|-----|-----|-----|-----|-----|-----|-----|-----|------|
| 0x20 (0x40)   | MSB |     |     |     |     |     |     | LSB | EEDR |
| Read/Write    | R/W | R/W | R/W | R/W | R/W | R/W | R/W | R/W |      |
| Initial Value | 0   | 0   | 0   | 0   | 0   | 0   | 0   | 0   |      |

- **Bits 7:0 – EEDR[7:0]: EEPROM Data**

For the EEPROM write operation, the EEDR Register contains the data to be written to the EEPROM in the address given by the EEAR Register. For the EEPROM read operation, the EEDR contains the data read out from the EEPROM at the address given by EEAR.

### 9.6.3 EECR – The EEPROM Control Register

| Bit           | 7 | 6 | 5    | 4    | 3     | 2     | 1    | 0    |      |
|---------------|---|---|------|------|-------|-------|------|------|------|
| 0x1F (0x3F)   | – | – | EPM1 | EPM0 | EERIE | EEMPE | EEPE | EERE | EECR |
| Read/Write    | R | R | R/W  | R/W  | R/W   | R/W   | R/W  | R/W  |      |
| Initial Value | 0 | 0 | X    | X    | 0     | 0     | X    | 0    |      |

- **Bits 7:6 – Reserved**

These bits are reserved bits in the ATmega48PB/88PB/168PB and will always read as zero.

- **Bits 5, 4 – EPM1 and EPM0: EEPROM Programming Mode Bits**

The EEPROM Programming mode bit setting defines which programming action that will be triggered when writing EEPE. It is possible to program data in one atomic operation (erase the old value and program the new value) or to split the Erase and Write operations in two different operations. The Programming times for the different modes are shown in [Table 9-1 on page 31](#). While EEPE is set, any write to EPMn will be ignored. During reset, the EPMn bits will be reset to 0b00 unless the EEPROM is busy programming.

**Table 9-1. EEPROM Mode Bits**

|   |   |       |   |
|---|---|-------|---|
| 0 | 0 | 3.4ms | Erase and Write in one operation (Atomic Operation) |
| 0 | 1 | 1.8ms | Erase Only  |
| 1 | 0 | 1.8ms | Write Only  |
| 1 | 1 | –     | Reserved for future use                             |

- **Bit 3 – EERIE: EEPROM Ready Interrupt Enable**

Writing EERIE to one enables the EEPROM Ready Interrupt if the I bit in SREG is set. Writing EERIE to zero disables the interrupt. The EEPROM Ready interrupt generates a constant interrupt when EEPE is cleared. The interrupt will not be generated during EEPROM write or SPM.

- **Bit 2 – EEMPE: EEPROM Master Write Enable**

The EEMPE bit determines whether setting EEPE to one causes the EEPROM to be written. When EEMPE is set, setting EEPE within four clock cycles will write data to the EEPROM at the selected address. If EEMPE is zero, setting EEPE will have no effect. When EEMPE has been written to one by software, hardware clears the bit to zero after four clock cycles. See the description of the EEPE bit for an EEPROM write procedure.

- **Bit 1 – EEPE: EEPROM Write Enable**

The EEPROM Write Enable Signal EEPE is the write strobe to the EEPROM. When address and data are correctly set up, the EEPE bit must be written to one to write the value into the EEPROM. The EEMPE bit must be written to one before a logical one is written to EEPE, otherwise no EEPROM write takes place. The following procedure should be followed when writing the EEPROM (the order of steps 3 and 4 is not essential):

1. Wait until EEPE becomes zero.
2. Wait until SPEN in SPMCSR becomes zero.
3. Write new EEPROM address to EEAR (optional).
4. Write new EEPROM data to EEDR (optional).
5. Write a logical one to the EEMPE bit while writing a zero to EEPE in EECR.
6. Within four clock cycles after setting EEMPE, write a logical one to EEPE.

The EEPROM can not be programmed during a CPU write to the Flash memory. The software must check that the Flash programming is completed before initiating a new EEPROM write. Step 2 is only relevant if the software contains a Boot Loader allowing the CPU to program the Flash. If the Flash is never being updated by the CPU, step 2 can be omitted. See ["Boot Loader Support – Read-While-Write Self-Programming"](#) on page 276 for details about Boot programming.

**Caution:** An interrupt between step 5 and step 6 will make the write cycle fail, since the EEPROM Master Write Enable will time-out. If an interrupt routine accessing the EEPROM is interrupting another EEPROM access, the EEAR or EEDR Register will be modified, causing the interrupted EEPROM access to fail. It is recommended to have the Global Interrupt Flag cleared during all the steps to avoid these problems.

When the write access time has elapsed, the EEPE bit is cleared by hardware. The user software can poll this bit and wait for a zero before writing the next byte. When EEPE has been set, the CPU is halted for two cycles before the next instruction is executed.

- **Bit 0 – EERE: EEPROM Read Enable**

The EEPROM Read Enable Signal EERE is the read strobe to the EEPROM. When the correct address is set up in the EEAR Register, the EERE bit must be written to a logic one to trigger the EEPROM read. The EEPROM read

access takes one instruction, and the requested data is available immediately. When the EEPROM is read, the CPU is halted for four cycles before the next instruction is executed.

The user should poll the EEPE bit before starting the read operation. If a write operation is in progress, it is neither possible to read the EEPROM, nor to change the EEAR Register.

The calibrated Oscillator is used to time the EEPROM accesses. [Table 9-2](#) lists the typical programming time for EEPROM access from the CPU.

**Table 9-2. EEPROM Programming Time**

| Symbol                  | Number of Calibrated RC Oscillator Cycles | Typ. Programming Time |
|-------------------------|---|-----------------------|
| EEPROM write (from CPU) | 26,368                                    | 3.3ms                 |

The following code examples show one assembly and one C function for writing to the EEPROM. The examples assume that interrupts are controlled (e.g. by disabling interrupts globally) so that no interrupts will occur during execution of these functions. The examples also assume that no Flash Boot Loader is present in the software. If such code is present, the EEPROM write function must also wait for any ongoing SPM command to finish.



## Assembly Code Example

```

EEPROM_write:
    ; Wait for completion of previous write
    sbic      EECR,EEPE
    rjmp     EEPROM_write
    ; Set up address (r18:r17) in address register
    out      EEARH, r18
    out      EEARL, r17
    ; Write data (r16) to Data Register
    out      EEDR,r16
    ; Write logical one to EEMPE
    sbi      EECR,EEMPE
    ; Start eeprom write by setting EEPE
    sbi      EECR,EEPE
    ret

```

## C Code Example

```

void EEPROM_write(unsigned int uiAddress, unsigned char ucData)
{
    /* Wait for completion of previous write */
    while(EECR & (1<<EEPE))
        ;
    /* Set up address and Data Registers */
    EEAR = uiAddress;
    EEDR = ucData;
    /* Write logical one to EEMPE */
    EECR |= (1<<EEMPE);
    /* Start eeprom write by setting EEPE */
    EECR |= (1<<EEPE);
}

```

The next code examples show assembly and C functions for reading the EEPROM. The examples assume that interrupts are controlled so that no interrupts will occur during execution of these functions.

### Assembly Code Example

```

EEPROM_read:
    ; Wait for completion of previous write
    sbic      EECR,EEPE
    rjmp     EEPROM_read
    ; Set up address (r18:r17) in address register
    out      EEARH, r18
    out      EEARL, r17
    ; Start eeprom read by writing EERE
    sbi      EECR,EERE
    ; Read data from Data Register
    in       r16,EEDR
    ret
    
```

### C Code Example

```

unsigned char EEPROM_read(unsigned int uiAddress)
{
    /* Wait for completion of previous write */
    while(EECR & (1<<EEPE))
        ;
    /* Set up address register */
    EEAR = uiAddress;
    /* Start eeprom read by writing EERE */
    EECR |= (1<<EERE);
    /* Return data from Data Register */
    return EEDR;
}
    
```

## 9.6.4 GPIOR2 – General Purpose I/O Register 2

| Bit           | 7  | 6   | 5   | 4   | 3   | 2   | 1   | 0   |               |
|---------------|--|-----|-----|-----|-----|-----|-----|-----|---------------|
| 0x2B (0x4B)   | <b>MSB</b> <span style="float: right;"><b>LSB</b></span> |     |     |     |     |     |     |     | <b>GPIOR2</b> |
| Read/Write    | R/W  | R/W | R/W | R/W | R/W | R/W | R/W | R/W |               |
| Initial Value | 0  | 0   | 0   | 0   | 0   | 0   | 0   | 0   |               |

## 9.6.5 GPIOR1 – General Purpose I/O Register 1

| Bit           | 7  | 6   | 5   | 4   | 3   | 2   | 1   | 0   |               |
|---------------|--|-----|-----|-----|-----|-----|-----|-----|---------------|
| 0x2A (0x4A)   | <b>MSB</b> <span style="float: right;"><b>LSB</b></span> |     |     |     |     |     |     |     | <b>GPIOR1</b> |
| Read/Write    | R/W  | R/W | R/W | R/W | R/W | R/W | R/W | R/W |               |
| Initial Value | 0  | 0   | 0   | 0   | 0   | 0   | 0   | 0   |               |

## 9.6.6 GPIOR0 – General Purpose I/O Register 0

| Bit           | 7  | 6   | 5   | 4   | 3   | 2   | 1   | 0   |               |
|---------------|--|-----|-----|-----|-----|-----|-----|-----|---------------|
| 0x1E (0x3E)   | <b>MSB</b> <span style="float: right;"><b>LSB</b></span> |     |     |     |     |     |     |     | <b>GPIOR0</b> |
| Read/Write    | R/W  | R/W | R/W | R/W | R/W | R/W | R/W | R/W |               |
| Initial Value | 0  | 0   | 0   | 0   | 0   | 0   | 0   | 0   |               |

## 9.6.7 Unique Device ID

Each individual part has a specific unique device ID. This can be used to identify a specific part while it is in the field. The Unique Device ID consists of nine serial number bytes in which the user can access directly from registers. The register address locations are located at 0xF0 to 0xF8.

### 9.6.7.1 SNOBRx – Serial Number Byte 8 to 0

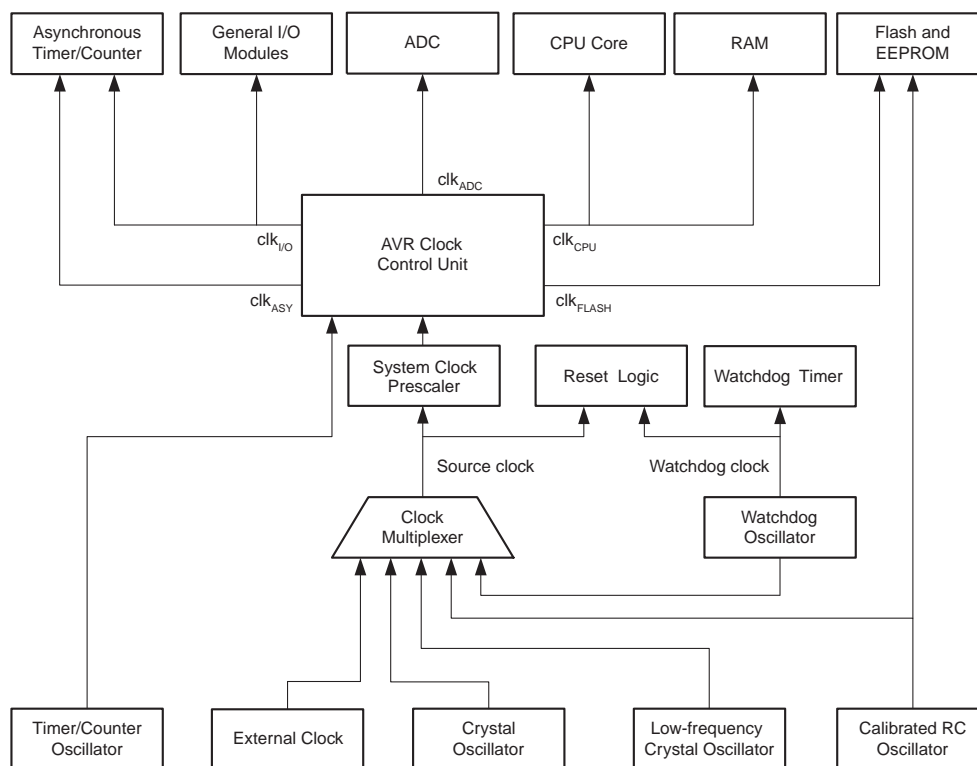
| Bit           | 7                        | 6 | 5 | 4 | 3 | 2 | 1 | 0 |        |
|---------------|--------------------------|---|---|---|---|---|---|---|--------|
| (0xF8)        | Serial Number Byte 5     |   |   |   |   |   |   |   | SNOBR5 |
| (0xF7)        | Serial Number Byte 4     |   |   |   |   |   |   |   | SNOBR4 |
| (0xF6)        | Serial Number Byte 3     |   |   |   |   |   |   |   | SNOBR3 |
| (0xF5)        | Serial Number Byte 2     |   |   |   |   |   |   |   | SNOBR2 |
| (0xF4)        | Serial Number Byte 1     |   |   |   |   |   |   |   | SNOBR1 |
| (0xF3)        | Serial Number Byte 0     |   |   |   |   |   |   |   | SNOBR0 |
| (0xF2)        | Serial Number Byte 6     |   |   |   |   |   |   |   | SNOBR6 |
| (0xF1)        | Serial Number Byte 7     |   |   |   |   |   |   |   | SNOBR7 |
| (0xF0)        | Serial Number Byte 8     |   |   |   |   |   |   |   | SNOBR8 |
| Read/Write    | R                        | R | R | R | R | R | R | R |        |
| Initial Value | Serial Number Byte Value |   |   |   |   |   |   |   |        |

## 10. System Clock and Clock Options

### 10.1 Clock Systems and their Distribution

Figure 10-1 presents the principal clock systems in the AVR and their distribution. All of the clocks need not be active at a given time. In order to reduce power consumption, the clocks to modules not being used can be halted by using different sleep modes, as described in "Power Management and Sleep Modes" on page 47. The clock systems are detailed below.

Figure 10-1. Clock Distribution



#### 10.1.1 CPU Clock – $clk_{CPU}$

The CPU clock is routed to parts of the system concerned with operation of the AVR core. Examples of such modules are the General Purpose Register File, the Status Register and the data memory holding the Stack Pointer. Halting the CPU clock inhibits the core from performing general operations and calculations.

#### 10.1.2 I/O Clock – $clk_{I/O}$

The I/O clock is used by the majority of the I/O modules, like Timer/Counters, SPI, and USART. The I/O clock is also used by the External Interrupt module, but note that start condition detection in the USI module is carried out asynchronously when  $clk_{I/O}$  is halted, TWI address recognition in all sleep modes.

**Note:** Note that if a level triggered interrupt is used for wake-up from Power-down, the required level must be held long enough for the MCU to complete the wake-up to trigger the level interrupt. If the level disappears before the end of the Start-up Time, the MCU will still wake up, but no interrupt will be generated. The start-up time is defined by the SUT and CKSEL Fuses as described in "System Clock and Clock Options" on page 36.

### 10.1.3 Flash Clock – $clk_{FLASH}$

The Flash clock controls operation of the Flash interface. The Flash clock is usually active simultaneously with the CPU clock.

### 10.1.4 Asynchronous Timer Clock – $clk_{ASY}$

The Asynchronous Timer clock allows the Asynchronous Timer/Counter to be clocked directly from an external clock or an external 32kHz clock crystal. The dedicated clock domain allows using this Timer/Counter as a real-time counter even when the device is in sleep mode.

### 10.1.5 ADC Clock – $clk_{ADC}$

The ADC is provided with a dedicated clock domain. This allows halting the CPU and I/O clocks in order to reduce noise generated by digital circuitry. This gives more accurate ADC conversion results.

## 10.2 Clock Sources

The device has the following clock source options, selectable by Flash Fuse bits as shown below. The clock from the selected source is input to the AVR clock generator, and routed to the appropriate modules.

**Table 10-1. Device Clocking Options Select<sup>(1)</sup>**

| Device Clocking Option            | CKSEL3...0  |
|-----------------------------------|-------------|
| Low Power Crystal Oscillator      | 1111 - 1000 |
| Low Frequency Crystal Oscillator  | 0101 - 0100 |
| Internal 128kHz RC Oscillator     | 0011        |
| Calibrated Internal RC Oscillator | 0010        |
| External Clock                    | 0000        |
| Reserved                          | 0001        |

Note: 1. For all fuses “1” means unprogrammed while “0” means programmed.

### 10.2.1 Default Clock Source

The device is shipped with internal RC oscillator at 8.0MHz and with the fuse CKDIV8 programmed, resulting in 1.0MHz system clock. The startup time is set to maximum and time-out period enabled. (CKSEL = "0010", SUT = "10", CKDIV8 = "0"). The default setting ensures that all users can make their desired clock source setting using any available programming interface.

### 10.2.2 Clock Startup Sequence

Any clock source needs a sufficient  $V_{CC}$  to start oscillating and a minimum number of oscillating cycles before it can be considered stable.

To ensure sufficient  $V_{CC}$ , the device issues an internal reset with a time-out delay ( $t_{TOUIT}$ ) after the device reset is released by all other reset sources. ["System Control and Reset" on page 55](#) describes the start conditions for the internal reset. The delay ( $t_{TOUIT}$ ) is timed from the Watchdog Oscillator and the number of cycles in the delay is set by the SUTx and CKSELx fuse bits. The selectable delays are shown in [Table 10-2](#). The frequency of the Watchdog Oscillator is voltage dependent as shown in ["Register Summary" on page 373](#).

**Table 10-2. Number of Watchdog Oscillator Cycles**

| Typ. Time-out ( $V_{CC} = 5.0V$ ) | Typ. Time-out ( $V_{CC} = 3.0V$ ) | Number of Cycles |
|-----------------------------------|-----------------------------------|------------------|
| 0ms                               | 0ms                               | 0                |
| 4.1ms                             | 4.3ms                             | 512              |
| 65ms                              | 69ms                              | 8K (8,192)       |

Main purpose of the delay is to keep the AVR in reset until it is supplied with minimum  $V_{CC}$ . The delay will not monitor the actual voltage and it will be required to select a delay longer than the  $V_{CC}$  rise time. If this is not possible, an internal or external Brown-Out Detection circuit should be used. A BOD circuit will ensure sufficient  $V_{CC}$  before it releases the reset, and the time-out delay can be disabled. Disabling the time-out delay without utilizing a Brown-Out Detection circuit is not recommended.

The oscillator is required to oscillate for a minimum number of cycles before the clock is considered stable. An internal ripple counter monitors the oscillator output clock, and keeps the internal reset active for a given number of clock cycles. The reset is then released and the device will start to execute. The recommended oscillator start-up time is dependent on the clock type, and varies from 6 cycles for an externally applied clock to 32K cycles for a low frequency crystal.

The start-up sequence for the clock includes both the time-out delay and the start-up time when the device starts up from reset. When starting up from Power-save or Power-down mode,  $V_{CC}$  is assumed to be at a sufficient level and only the start-up time is included.

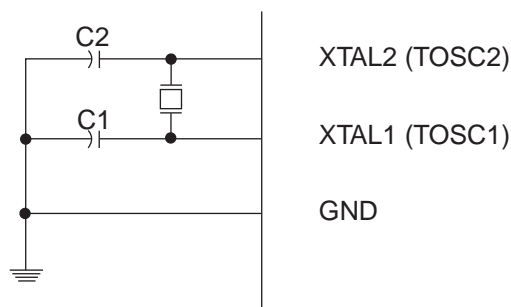
### 10.3 Low Power Crystal Oscillator

Pins XTAL1 and XTAL2 are input and output, respectively, of an inverting amplifier which can be configured for use as an On-chip Oscillator, as shown in [Figure 10-2](#). Either a quartz crystal or a ceramic resonator may be used.

This Crystal Oscillator is a low power oscillator, with reduced voltage swing on the XTAL2 output. It gives the lowest power consumption, but is not capable of driving other clock inputs, and may be more susceptible to noise in noisy environments.

C1 and C2 should always be equal for both crystals and resonators. The optimal value of the capacitors depends on the crystal or resonator in use, the amount of stray capacitance, and the electromagnetic noise of the environment. Some initial guidelines for choosing capacitors for use with crystals are given in [Table 10-3](#). For ceramic resonators, the capacitor values given by the manufacturer should be used.

**Figure 10-2. Crystal Oscillator Connections**



The Low Power Oscillator can operate in three different modes, each optimized for a specific frequency range. The operating mode is selected by the fuses CKSEL3...1 as shown in [Table 10-3](#).

**Table 10-3. Low Power Crystal Oscillator Operating Modes<sup>(3)</sup>**

| Frequency Range [MHz] | Recommended Range for Capacitors C1 and C2 [pF] | CKSEL3...1 <sup>(1)</sup> |
|-----------------------|---|---------------------------|
| 0.4 - 0.9             | –   | 100 <sup>(2)</sup>        |
| 0.9 - 3.0             | 12 - 22   | 101                       |
| 3.0 - 8.0             | 12 - 22   | 110                       |
| 8.0 - 16.0            | 12 - 22   | 111                       |

- Notes:
1. This is the recommended CKSEL settings for the difference frequency ranges.
  2. This option should not be used with crystals, only with ceramic resonators.
  3. If the crystal frequency exceeds the specification of the device (depends on  $V_{CC}$ ), the CKDIV8 Fuse can be programmed in order to divide the internal frequency by 8. It must be ensured that the resulting divided clock meets the frequency specification of the device.

The CKSEL0 Fuse together with the SUT1...0 Fuses select the start-up times as shown in [Table 10-4](#).

**Table 10-4. Start-up Times for the Low Power Crystal Oscillator Clock Selection**

| Oscillator Source / Power Conditions    | Start-up Time from Power-down and Power-save | Additional Delay from Reset ( $V_{CC} = 5.0V$ ) | CKSEL0 | SUT1...0 |
|---|--|---|--------|----------|
| Ceramic resonator, fast rising power    | 258 CK                                       | 19CK + 4.1ms <sup>(1)</sup>                     | 0      | 00       |
| Ceramic resonator, slowly rising power  | 258 CK                                       | 19CK + 65ms <sup>(1)</sup>                      | 0      | 01       |
| Ceramic resonator, BOD enabled          | 1K CK  | 19CK <sup>(2)</sup>                             | 0      | 10       |
| Ceramic resonator, fast rising power    | 1K CK  | 19CK + 4.1ms <sup>(2)</sup>                     | 0      | 11       |
| Ceramic resonator, slowly rising power  | 1K CK  | 19CK + 65ms <sup>(2)</sup>                      | 1      | 00       |
| Crystal Oscillator, BOD enabled         | 16K CK                                       | 19CK  | 1      | 01       |
| Crystal Oscillator, fast rising power   | 16K CK                                       | 19CK + 4.1ms                                    | 1      | 10       |
| Crystal Oscillator, slowly rising power | 16K CK                                       | 19CK + 65ms                                     | 1      | 11       |

- Notes:
1. These options should only be used when not operating close to the maximum frequency of the device, and only if frequency stability at start-up is not important for the application. These options are not suitable for crystals.
  2. These options are intended for use with ceramic resonators and will ensure frequency stability at start-up. They can also be used with crystals when not operating close to the maximum frequency of the device, and if frequency stability at start-up is not important for the application.

## 10.4 Low Frequency Crystal Oscillator

The Low-frequency Crystal Oscillator is optimized for use with a 32.768kHz watch crystal. When selecting crystals, load capacitance and crystal's Equivalent Series Resistance, ESR must be taken into consideration. Both values are specified by the crystal vendor. ATmega48PB/88PB/168PB oscillator is optimized for very low power consumption, and thus when selecting crystals, see [Table 10-5](#) for maximum ESR recommendations on 6.5pF, 9.0pF and 12.5pF crystals.

**Table 10-5. Maximum ESR Recommendation for 32.768kHz Crystal**

| Crystal CL [pF] | Max. ESR [kΩ] <sup>(1)</sup> |
|-----------------|------------------------------|
| 6.5             | 75                           |
| 9.0             | 65                           |
| 12.5            | 30                           |

Note: 1. Maximum ESR is typical value based on characterization

The Low-frequency Crystal Oscillator provides an internal load capacitance, see [Table 10-6](#) at each TOSC pin.

**Table 10-6. Capacitance for Low-frequency Oscillator**

| Device                | 32kHz Osc. Type | Cap. (Xtal1/Tosc1) | Cap. (Xtal2/Tosc2) |
|-----------------------|-----------------|--------------------|--------------------|
| ATmega48PB/88PB/168PB | System Osc.     | 18pF               | 8pF                |
|                       | Timer Osc.      | 18pF               | 8pF                |

The capacitance (Ce+Ci) needed at each TOSC pin can be calculated by using:

$$C = 2 \cdot CL - C_s$$

where:

- Ce - is optional external capacitors as described in [Figure 10-2 on page 38](#)
- Ci - is the pin capacitance in [Table 10-6](#)
- CL - is the load capacitance for a 32.768kHz crystal specified by the crystal vendor
- CS - is the total stray capacitance for one TOSC pin.

Crystals specifying load capacitance (CL) higher than 6 pF, require external capacitors applied as described in [Figure 10-2 on page 38](#).

The Low-frequency Crystal Oscillator must be selected by setting the CKSEL Fuses to "0110" or "0111", as shown in [Table 10-8 on page 41](#). Start-up times are determined by the SUT Fuses as shown in [Table 10-7](#).

**Table 10-7. Start-up Times for the Low-frequency Crystal Oscillator Clock Selection**

| SUT1...0 | Additional Delay from Reset (V <sub>CC</sub> = 5.0V) | Recommended Usage                |
|----------|--|----------------------------------|
| 00       | 19CK   | Fast rising power or BOD enabled |
| 01       | 19CK + 4.1ms   | Slowly rising power              |
| 10       | 19CK + 65ms  | Stable frequency at start-up     |
| 11       | Reserved   |                                  |



**Table 10-8. Start-up Times for the Low-frequency Crystal Oscillator Clock Selection**

| CKSEL3...0          | Start-up Time from Power-down and Power-save | Recommended Usage            |
|---------------------|--|------------------------------|
| 0100 <sup>(1)</sup> | 1K CK  |                              |
| 0101                | 32K CK                                       | Stable frequency at start-up |

Note: 1. This option should only be used if frequency stability at start-up is not important for the application.

## 10.5 Calibrated Internal RC Oscillator

By default, the Internal RC Oscillator provides an approximate 8.0MHz clock. Though voltage and temperature dependent, this clock can be very accurately calibrated by the user. See [Table 30-4 on page 314](#) for more details. The device is shipped with the CKDIV8 Fuse programmed. See ["System Clock Prescaler" on page 43](#) for more details.

This clock may be selected as the system clock by programming the CKSEL Fuses as shown in [Table 10-9](#). If selected, it will operate with no external components. During reset, hardware loads the pre-programmed calibration value into the OSCCAL Register and thereby automatically calibrates the RC Oscillator.

By changing the OSCCAL register from SW, see ["OSCCAL – Oscillator Calibration Register" on page 45](#), it is possible to get a higher calibration accuracy than by using the factory calibration. The accuracy of this calibration is shown as User calibration in [Table 30-4 on page 314](#).

When this Oscillator is used as the chip clock, the Watchdog Oscillator will still be used for the Watchdog Timer and for the Reset Time-out. For more information on the pre-programmed calibration value, see the section ["Calibration Byte" on page 295](#).

**Table 10-9. Internal Calibrated RC Oscillator Operating Modes**

| Frequency Range <sup>(2)</sup> [MHz] | CKSEL3...0          |
|--------------------------------------|---------------------|
| 7.3 - 8.1                            | 0010 <sup>(1)</sup> |

Notes: 1. The device is shipped with this option selected.  
 2. If 8MHz frequency exceeds the specification of the device (depends on  $V_{CC}$ ), the CKDIV8 Fuse can be programmed in order to divide the internal frequency by 8.

When this Oscillator is selected, start-up times are determined by the SUT Fuses as shown in [Table 10-10](#).

**Table 10-10. Start-up times for the internal calibrated RC Oscillator clock selection**

| Power Conditions    | Start-up Time from Power-down and Power-save | Additional Delay from Reset ( $V_{CC} = 5.0V$ ) | SUT1...0 |
|---------------------|--|---|----------|
| BOD enabled         | 6 CK   | 19CK <sup>(1)</sup>                             | 00       |
| Fast rising power   | 6 CK   | 19CK + 4.1ms                                    | 01       |
| Slowly rising power | 6 CK   | 19CK + 65ms <sup>(2)</sup>                      | 10       |
|                     | Reserved                                     |   | 11       |

Note: 1. If the RSTDISBL fuse is programmed, this start-up time will be increased to 19CK + 4.1ms to ensure programming mode can be entered.  
 2. The device is shipped with this option selected.

## 10.6 128kHz Internal Oscillator

The 128kHz internal Oscillator is a low power Oscillator providing a clock of 128kHz. The frequency is nominal at 3V and 25°C. This clock may be select as the system clock by programming the CKSEL Fuses to “11” as shown in [Table 10-11](#).

**Table 10-11. 128kHz Internal Oscillator Operating Modes**

| Nominal Frequency <sup>(1)</sup> | CKSEL3...0 |
|----------------------------------|------------|
| 128kHz                           | 0011       |

Note: 1. Note that the 128kHz oscillator is a very low power clock source, and is not designed for high accuracy. When this clock source is selected, start-up times are determined by the SUT Fuses as shown in [Table 10-12](#).

**Table 10-12. Start-up Times for the 128kHz Internal Oscillator**

| Power Conditions    | Start-up Time from Power-down and Power-save | Additional Delay from Reset | SUT1...0 |
|---------------------|--|-----------------------------|----------|
| BOD enabled         | 6 CK   | 19CK <sup>(1)</sup>         | 00       |
| Fast rising power   | 6 CK   | 19CK + 4ms                  | 01       |
| Slowly rising power | 6 CK   | 19CK + 64ms                 | 10       |
|                     | Reserved                                     |                             | 11       |

Note: 1. If the RSTDISBL fuse is programmed, this start-up time will be increased to 19CK + 4.1ms to ensure programming mode can be entered.

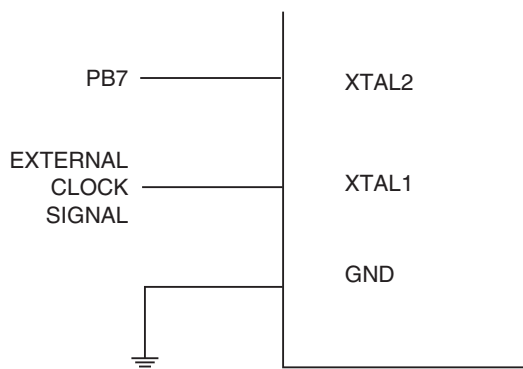
## 10.7 External Clock

To drive the device from an external clock source, XTAL1 should be driven as shown in [Figure 10-3](#). To run the device on an external clock, the CKSEL Fuses must be programmed to “0000” (see [Table 10-13](#)).

**Table 10-13. Crystal Oscillator Clock Frequency**

| Frequency | CKSEL3...0 |
|-----------|------------|
| 0 - 20MHz | 0000       |

**Figure 10-3. External Clock Drive Configuration**



When this clock source is selected, start-up times are determined by the SUT Fuses as shown in [Table 10-14 on page 43](#).

**Table 10-14. Start-up Times for the External Clock Selection**

| Power Conditions    | Start-up Time from Power-down and Power-save | Additional Delay from Reset ( $V_{CC} = 5.0V$ ) | SUT1...0 |
|---------------------|--|---|----------|
| BOD enabled         | 6 CK   | 19CK  | 00       |
| Fast rising power   | 6 CK   | 19CK + 4.1ms                                    | 01       |
| Slowly rising power | 6 CK   | 19CK + 65ms                                     | 10       |
|                     | Reserved                                     |   | 11       |

When applying an external clock, it is required to avoid sudden changes in the applied clock frequency to ensure stable operation of the MCU. A variation in frequency of more than 2% from one clock cycle to the next can lead to unpredictable behavior. If changes of more than 2% is required, ensure that the MCU is kept in Reset during the changes.

Note that the System Clock Prescaler can be used to implement run-time changes of the internal clock frequency while still ensuring stable operation. Refer to ["System Clock Prescaler" on page 43](#) for details.

## 10.8 Clock Output Buffer

The device can output the system clock on the CLKO pin. To enable the output, the CKOUT Fuse has to be programmed. This mode is suitable when the chip clock is used to drive other circuits on the system. The clock also will be output during reset, and the normal operation of I/O pin will be overridden when the fuse is programmed. Any clock source, including the internal RC Oscillator, can be selected when the clock is output on CLKO. If the System Clock Prescaler is used, it is the divided system clock that is output.

## 10.9 Timer/Counter Oscillator

ATmega48PB/88PB/168PB uses the same crystal oscillator for Low-frequency Oscillator and Timer/Counter Oscillator. See ["Low Frequency Crystal Oscillator" on page 40](#) for details on the oscillator and crystal requirements.

ATmega48PB/88PB/168PB share the Timer/Counter Oscillator Pins (TOSC1 and TOSC2) with XTAL1 and XTAL2. When using the Timer/Counter Oscillator, the system clock needs to be four times the oscillator frequency. Due to this and the pin sharing, the Timer/Counter Oscillator can only be used when the Calibrated Internal RC Oscillator is selected as system clock source.

Applying an external clock source to TOSC1 can be done if EXTCLK in the ASSR Register is written to logic one. See ["Asynchronous Operation of Timer/Counter2" on page 157](#) for further description on selecting external clock as input instead of a 32.768kHz watch crystal.

## 10.10 System Clock Prescaler

The ATmega48PB/88PB/168PB has a system clock prescaler, and the system clock can be divided by setting the ["CLKPR – Clock Prescale Register" on page 45](#). This feature can be used to decrease the system clock frequency and the power consumption when the requirement for processing power is low. This can be used with all clock source options, and it will affect the clock frequency of the CPU and all synchronous peripherals.  $clk_{I/O}$ ,  $clk_{ADC}$ ,  $clk_{CPU}$ , and  $clk_{FLASH}$  are divided by a factor as shown in [Table 10-15 on page 46](#).

When switching between prescaler settings, the System Clock Prescaler ensures that no glitches occurs in the clock system. It also ensures that no intermediate frequency is higher than neither the clock frequency corresponding to the previous setting, nor the clock frequency corresponding to the new setting. The ripple counter that implements the prescaler runs at the frequency of the undivided clock, which may be faster than the CPU's clock frequency. Hence, it is not possible to determine the state of the prescaler - even if it were readable, and the exact time it takes to switch from one clock division to the other cannot be exactly predicted. From the time the CLKPS values are written, it takes between  $T1 + T2$  and  $T1 + 2 * T2$  before the new clock frequency is active. In

this interval, two active clock edges are produced. Here, T1 is the previous clock period, and T2 is the period corresponding to the new prescaler setting.

To avoid unintentional changes of clock frequency, a special write procedure must be followed to change the CLKPS bits:

1. Write the Clock Prescaler Change Enable (CLKPCE) bit to one and all other bits in CLKPR to zero.
2. Within four cycles, write the desired value to CLKPS while writing a zero to CLKPCE.

Interrupts must be disabled when changing prescaler setting to make sure the write procedure is not interrupted.

## 10.11 Register Description

### 10.11.1 OSCCAL – Oscillator Calibration Register

|               |                                   |             |             |             |             |             |             |             |        |
|---------------|-----------------------------------|-------------|-------------|-------------|-------------|-------------|-------------|-------------|--------|
| Bit           | 7                                 | 6           | 5           | 4           | 3           | 2           | 1           | 0           |        |
| (0x66)        | <b>CAL7</b>                       | <b>CAL6</b> | <b>CAL5</b> | <b>CAL4</b> | <b>CAL3</b> | <b>CAL2</b> | <b>CAL1</b> | <b>CAL0</b> | OSCCAL |
| Read/Write    | R/W                               | R/W         | R/W         | R/W         | R/W         | R/W         | R/W         | R/W         |        |
| Initial Value | Device Specific Calibration Value |             |             |             |             |             |             |             |        |

- **Bits 7:0 – CAL[7:0]: Oscillator Calibration Value**

The Oscillator Calibration Register is used to trim the Calibrated Internal RC Oscillator to remove process variations from the oscillator frequency. A pre-programmed calibration value is automatically written to this register during chip reset, giving the Factory calibrated frequency as specified in [Table 30-4 on page 314](#). The application software can write this register to change the oscillator frequency. The oscillator can be calibrated to frequencies as specified in [Table 30-4 on page 314](#). Calibration outside that range is not ensured.

Note that this oscillator is used to time EEPROM and Flash write accesses, and these write times will be affected accordingly. If the EEPROM or Flash are written, do not calibrate to more than 8.8MHz. Otherwise, the EEPROM or Flash write may fail.

The CAL7 bit determines the range of operation for the oscillator. Setting this bit to 0 gives the lowest frequency range, setting this bit to 1 gives the highest frequency range. The two frequency ranges are overlapping, in other words a setting of OSCCAL = 0x7F gives a higher frequency than OSCCAL = 0x80.

The CAL6...0 bits are used to tune the frequency within the selected range. A setting of 0x00 gives the lowest frequency in that range, and a setting of 0x7F gives the highest frequency in the range.

### 10.11.2 CLKPR – Clock Prescale Register

|               |               |   |   |   |                     |               |               |               |       |
|---------------|---------------|---|---|---|---------------------|---------------|---------------|---------------|-------|
| Bit           | 7             | 6 | 5 | 4 | 3                   | 2             | 1             | 0             |       |
| (0x61)        | <b>CLKPCE</b> | – | – | – | <b>CLKPS3</b>       | <b>CLKPS2</b> | <b>CLKPS1</b> | <b>CLKPS0</b> | CLKPR |
| Read/Write    | R/W           | R | R | R | R/W                 | R/W           | R/W           | R/W           |       |
| Initial Value | 0             | 0 | 0 | 0 | See Bit Description |               |               |               |       |

- **Bit 7 – CLKPCE: Clock Prescaler Change Enable**

The CLKPCE bit must be written to logic one to enable change of the CLKPS bits. The CLKPCE bit is only updated when the other bits in CLKPR are simultaneously written to zero. CLKPCE is cleared by hardware four cycles after it is written or when CLKPS bits are written. Rewriting the CLKPCE bit within this time-out period does neither extend the time-out period, nor clear the CLKPCE bit.

- **Bits 6:4 – Reserved**

These bits are reserved and will always read as zero.

- **Bits 3:0 – CLKPS[3:0]: Clock Prescaler Select Bits 3 - 0**

These bits define the division factor between the selected clock source and the internal system clock. These bits can be written run-time to vary the clock frequency to suit the application requirements. As the divider divides the master clock input to the MCU, the speed of all synchronous peripherals is reduced when a division factor is used. The division factors are given in [Table 10-15 on page 46](#).

The CKDIV8 Fuse determines the initial value of the CLKPS bits. If CKDIV8 is unprogrammed, the CLKPS bits will be reset to “0000”. If CKDIV8 is programmed, CLKPS bits are reset to “0011”, giving a division factor of 8 at start up. This feature should be used if the selected clock source has a higher frequency than the maximum frequency of the device at the present operating conditions. Note that any value can be written to the CLKPS bits regardless

of the CKDIV8 Fuse setting. The Application software must ensure that a sufficient division factor is chosen if the selected clock source has a higher frequency than the maximum frequency of the device at the present operating conditions. The device is shipped with the CKDIV8 Fuse programmed.

**Table 10-15. Clock Prescaler Select**

| CLKPS3 | CLKPS2 | CLKPS1 | CLKPS0 | Clock Division Factor |
|--------|--------|--------|--------|-----------------------|
| 0      | 0      | 0      | 0      | 1                     |
| 0      | 0      | 0      | 1      | 2                     |
| 0      | 0      | 1      | 0      | 4                     |
| 0      | 0      | 1      | 1      | 8                     |
| 0      | 1      | 0      | 0      | 16                    |
| 0      | 1      | 0      | 1      | 32                    |
| 0      | 1      | 1      | 0      | 64                    |
| 0      | 1      | 1      | 1      | 128                   |
| 1      | 0      | 0      | 0      | 256                   |
| 1      | 0      | 0      | 1      | Reserved              |
| 1      | 0      | 1      | 0      | Reserved              |
| 1      | 0      | 1      | 1      | Reserved              |
| 1      | 1      | 0      | 0      | Reserved              |
| 1      | 1      | 0      | 1      | Reserved              |
| 1      | 1      | 1      | 0      | Reserved              |
| 1      | 1      | 1      | 1      | Reserved              |

## 11. Power Management and Sleep Modes

Sleep modes enable the application to shut down unused modules in the MCU, thereby saving power. The AVR provides various sleep modes allowing the user to tailor the power consumption to the application's requirements.

When enabled, the Brown-out Detector (BOD) actively monitors the power supply voltage during the sleep periods. To further save power, it is possible to disable the BOD in some sleep modes. See "BOD Disable<sup>(1)</sup>" on page 48 for more details.

### 11.1 Sleep Modes

Figure 10-1 on page 36 presents the different clock systems in the ATmega48PB/88PB/168PB, and their distribution. The figure is helpful in selecting an appropriate sleep mode. Table 11-1 shows the different sleep modes, their wake up sources BOD disable ability.<sup>(1)</sup>

Note: 1. BOD disable is available for ATmega48PB/88PB/168PB.

**Table 11-1. Active Clock Domains and Wake-up Sources in the Different Sleep Modes.**

| Sleep Mode             | Active Clock Domains |                      |                   |                    |                    | Oscillators               |                          | Wake-up Sources           |                   |                  |                  |     |     |                      |           | Software BOD Disable |
|------------------------|----------------------|----------------------|-------------------|--------------------|--------------------|---------------------------|--------------------------|---------------------------|-------------------|------------------|------------------|-----|-----|----------------------|-----------|----------------------|
|                        | clk <sub>CPU</sub>   | clk <sub>FLASH</sub> | clk <sub>IO</sub> | clk <sub>ADC</sub> | clk <sub>ASY</sub> | Main Clock Source Enabled | Timer Oscillator Enabled | INT1, INT0 and Pin Change | TWI Address Match | Timer2           | SPM/EEPROM Ready | ADC | WDT | USART <sup>(3)</sup> | Other I/O |                      |
| Idle                   |                      |                      | X                 | X                  | X                  | X                         | X <sup>(2)</sup>         | X                         | X                 | X                | X                | X   | X   | X                    | X         |                      |
| ADC Noise Reduction    |                      |                      |                   | X                  | X                  | X                         | X <sup>(2)</sup>         | X <sup>(3)</sup>          | X                 | X <sup>(2)</sup> | X                | X   | X   | X                    |           |                      |
| Power-down             |                      |                      |                   |                    |                    |                           |                          | X <sup>(3)</sup>          | X                 |                  |                  |     | X   | X                    |           | X                    |
| Power-save             |                      |                      |                   |                    | X                  |                           | X <sup>(2)</sup>         | X <sup>(3)</sup>          | X                 | X                |                  |     | X   | X                    |           | X                    |
| Standby <sup>(1)</sup> |                      |                      |                   |                    |                    | X                         |                          | X <sup>(3)</sup>          | X                 |                  |                  |     | X   | X                    |           | X                    |
| Extended Standby       |                      |                      |                   |                    | X <sup>(2)</sup>   | X                         | X <sup>(2)</sup>         | X <sup>(3)</sup>          | X                 | X                |                  |     | X   | X                    |           | X                    |

- Notes:
1. Only recommended with external crystal or resonator selected as clock source.
  2. If Timer/Counter2 is running in asynchronous mode.
  3. Start frame detection, only.

To enter any of the six sleep modes, the SE bit in SMCR must be written to logic one and a SLEEP instruction must be executed. The SM2, SM1, and SM0 bits in the SMCR Register select which sleep mode (Idle, ADC Noise Reduction, Power-down, Power-save, Standby, or Extended Standby) will be activated by the SLEEP instruction. See Table 11-2 on page 52 for a summary.

If an enabled interrupt occurs while the MCU is in a sleep mode, the MCU wakes up. The MCU is then halted for four cycles in addition to the start-up time, executes the interrupt routine, and resumes execution from the instruction following SLEEP. The contents of the Register File and SRAM are unaltered when the device wakes up from sleep. If a reset occurs during sleep mode, the MCU wakes up and executes from the Reset Vector.

## 11.2 BOD Disable<sup>(1)</sup>

When the Brown-out Detector (BOD) is enabled by BODLEVEL fuses - see [Table 29-6 on page 294](#) and onwards, the BOD is actively monitoring the power supply voltage during a sleep period. To save power, it is possible to disable the BOD by software for some of the sleep modes, see [Table 11-1 on page 47](#). The sleep mode power consumption will then be at the same level as when BOD is globally disabled by fuses. If BOD is disabled in software, the BOD function is turned off immediately after entering the sleep mode. Upon wake-up from sleep, BOD is automatically enabled again. This ensures safe operation in case the  $V_{CC}$  level has dropped during the sleep period.

When the BOD has been disabled, the wake-up time from sleep mode will be approximately 60  $\mu$ s to ensure that the BOD is working correctly before the MCU continues executing code.

BOD disable is controlled by bit 6, BODS (BOD Sleep) in the control register MCUCR, see "[MCUCR – MCU Control Register](#)" on [page 53](#). Writing this bit to one turns off the BOD in relevant sleep modes, while a zero in this bit keeps BOD active. Default setting keeps BOD active, i.e. BODS set to zero.

Writing to the BODS bit is controlled by a timed sequence and an enable bit, see "[MCUCR – MCU Control Register](#)" on [page 53](#).

## 11.3 Idle Mode

When the SM2...0 bits are written to 000, the SLEEP instruction makes the MCU enter Idle mode, stopping the CPU but allowing the SPI, USART, Analog Comparator, ADC, 2-wire Serial Interface, Timer/Counters, Watchdog, and the interrupt system to continue operating. This sleep mode basically halts  $clk_{CPU}$  and  $clk_{FLASH}$ , while allowing the other clocks to run.

Idle mode enables the MCU to wake up from external triggered interrupts as well as internal ones like the Timer Overflow and USART Transmit Complete interrupts. If wake-up from the Analog Comparator interrupt is not required, the Analog Comparator can be powered down by setting the ACD bit in the Analog Comparator Control and Status Register – ACSR. This will reduce power consumption in Idle mode. If the ADC is enabled, a conversion starts automatically when this mode is entered.

## 11.4 ADC Noise Reduction Mode

When the SM2...0 bits are written to 001, the SLEEP instruction makes the MCU enter ADC Noise Reduction mode, stopping the CPU but allowing the ADC, the external interrupts, the 2-wire Serial Interface address watch, Timer/Counter2<sup>(1)</sup>, and the Watchdog to continue operating (if enabled). This sleep mode basically halts  $clk_{IO}$ ,  $clk_{CPU}$ , and  $clk_{FLASH}$ , while allowing the other clocks to run.

This improves the noise environment for the ADC, enabling higher resolution measurements. If the ADC is enabled, a conversion starts automatically when this mode is entered. Apart from the ADC Conversion Complete interrupt, only an External Reset, a Watchdog System Reset, a Watchdog Interrupt, a Brown-out Reset, a 2-wire Serial Interface address match, a Timer/Counter2 interrupt, an SPM/EEPROM ready interrupt, an external level interrupt on INT0 or INT1 or a pin change interrupt can wake up the MCU from ADC Noise Reduction mode.

Note: 1. Timer/Counter2 will only keep running in asynchronous mode, see "[8-bit Timer/Counter2 with PWM and Asynchronous Operation](#)" on [page 147](#) for details.

## 11.5 Power-down Mode

When the SM2...0 bits are written to 010, the SLEEP instruction makes the MCU enter Power-down mode. In this mode, the external Oscillator is stopped, while the external interrupts, the 2-wire Serial Interface address watch, and the Watchdog continue operating (if enabled). Only an External Reset, a Watchdog System Reset, a Watchdog Interrupt, a Brown-out Reset, a 2-wire Serial Interface address match, an external level interrupt on



INT0 or INT1, or a pin change interrupt can wake up the MCU. This sleep mode basically halts all generated clocks, allowing operation of asynchronous modules only.

**Note:** If a level triggered interrupt is used for wake-up from Power-down, the required level must be held long enough for the MCU to complete the wake-up to trigger the level interrupt. If the level disappears before the end of the Start-up Time, the MCU will still wake up, but no interrupt will be generated. ["External Interrupts" on page 77](#). The start-up time is defined by the SUT and CKSEL Fuses as described in ["System Clock and Clock Options" on page 36](#).

When waking up from Power-down mode, there is a delay from the wake-up condition occurs until the wake-up becomes effective. This allows the clock to restart and become stable after having been stopped. The wake-up period is defined by the same CKSEL Fuses that define the Reset Time-out period, as described in ["Clock Sources" on page 37](#).

## 11.6 Power-save Mode

When the SM2...0 bits are written to 011, the SLEEP instruction makes the MCU enter Power-save mode. This mode is identical to Power-down, with one exception:

If Timer/Counter2 is enabled, it will keep running during sleep. The device can wake up from either Timer Overflow or Output Compare event from Timer/Counter2 if the corresponding Timer/Counter2 interrupt enable bits are set in TMSK2, and the Global Interrupt Enable bit in SREG is set.

If Timer/Counter2 is not running, Power-down mode is recommended instead of Power-save mode.

The Timer/Counter2 can be clocked both synchronously and asynchronously in Power-save mode. If Timer/Counter2 is not using the asynchronous clock, the Timer/Counter Oscillator is stopped during sleep. If Timer/Counter2 is not using the synchronous clock, the clock source is stopped during sleep. Note that even if the synchronous clock is running in Power-save, this clock is only available for Timer/Counter2.

## 11.7 Standby Mode

When the SM2...0 bits are 110 and an external crystal/resonator clock option is selected, the SLEEP instruction makes the MCU enter Standby mode. This mode is identical to Power-down with the exception that the Oscillator is kept running. From Standby mode, the device wakes up in six clock cycles.

## 11.8 Extended Standby Mode

When the SM2...0 bits are 111 and an external crystal/resonator clock option is selected, the SLEEP instruction makes the MCU enter Extended Standby mode. This mode is identical to Power-save with the exception that the Oscillator is kept running. From Extended Standby mode, the device wakes up in six clock cycles.

## 11.9 Power Reduction Register

The Power Reduction Register (PRR), see ["PRR – Power Reduction Register" on page 53](#), provides a method to stop the clock to individual peripherals to reduce power consumption. The current state of the peripheral is frozen and the I/O registers can not be read or written. Resources used by the peripheral when stopping the clock will remain occupied, hence the peripheral should in most cases be disabled before stopping the clock. Waking up a module, which is done by clearing the bit in PRR, puts the module in the same state as before shutdown.

Module shutdown can be used in Idle mode and Active mode to significantly reduce the overall power consumption. In all other sleep modes, the clock is already stopped.

## 11.10 Minimizing Power Consumption

There are several possibilities to consider when trying to minimize the power consumption in an AVR controlled system. In general, sleep modes should be used as much as possible, and the sleep mode should be selected so that as few as possible of the device's functions are operating. All functions not needed should be disabled. In

particular, the following modules may need special consideration when trying to achieve the lowest possible power consumption.

## 11.10.1 Analog to Digital Converter

If enabled, the ADC will be enabled in all sleep modes. To save power, the ADC should be disabled before entering any sleep mode. When the ADC is turned off and on again, the next conversion will be an extended conversion. Refer to ["Analog-to-Digital Converter" on page 250](#) for details on ADC operation.

## 11.10.2 Analog Comparator

When entering Idle mode, the Analog Comparator should be disabled if not used. When entering ADC Noise Reduction mode, the Analog Comparator should be disabled. In other sleep modes, the Analog Comparator is automatically disabled. However, if the Analog Comparator is set up to use the Internal Voltage Reference as input, the Analog Comparator should be disabled in all sleep modes. Otherwise, the Internal Voltage Reference will be enabled, independent of sleep mode. Refer to ["Analog Comparator" on page 246](#) for details on how to configure the Analog Comparator.

## 11.10.3 Brown-out Detector

If the Brown-out Detector is not needed by the application, this module should be turned off. If the Brown-out Detector is enabled by the BODLEVEL Fuses, it will be enabled in all sleep modes, and hence, always consume power. In the deeper sleep modes, this will contribute significantly to the total current consumption. Refer to ["Brown-out Detection" on page 57](#) for details on how to configure the Brown-out Detector.

## 11.10.4 Internal Voltage Reference

The Internal Voltage Reference will be enabled when needed by the Brown-out Detection, the Analog Comparator or the ADC. If these modules are disabled as described in the sections above, the internal voltage reference will be disabled and it will not be consuming power. When turned on again, the user must allow the reference to start up before the output is used. If the reference is kept on in sleep mode, the output can be used immediately. Refer to ["Internal Voltage Reference" on page 58](#) for details on the start-up time.

## 11.10.5 Watchdog Timer

If the Watchdog Timer is not needed in the application, the module should be turned off. If the Watchdog Timer is enabled, it will be enabled in all sleep modes and hence always consume power. In the deeper sleep modes, this will contribute significantly to the total current consumption. Refer to ["Watchdog Timer" on page 59](#) for details on how to configure the Watchdog Timer.

## 11.10.6 Port Pins

When entering a sleep mode, all port pins should be configured to use minimum power. The most important is then to ensure that no pins drive resistive loads. In sleep modes where both the I/O clock ( $clk_{I/O}$ ) and the ADC clock ( $clk_{ADC}$ ) are stopped, the input buffers of the device will be disabled. This ensures that no power is consumed by the input logic when not needed. In some cases, the input logic is needed for detecting wake-up conditions, and it will then be enabled. Refer to the section ["Digital Input Enable and Sleep Modes" on page 86](#) for details on which pins are enabled. If the input buffer is enabled and the input signal is left floating or have an analog signal level close to  $V_{CC}/2$ , the input buffer will use excessive power.

For analog input pins, the digital input buffer should be disabled at all times. An analog signal level close to  $V_{CC}/2$  on an input pin can cause significant current even in active mode. Digital input buffers can be disabled by writing to the Digital Input Disable Registers (DIDR1 and DIDR0). Refer to ["DIDR1 – Digital Input Disable Register 1" on page 249](#) and ["DIDR0 – Digital Input Disable Register 0" on page 265](#) for details.

## 11.10.7 On-chip Debug System

If the On-chip debug system is enabled by the DWEN Fuse and the chip enters sleep mode, the main clock source is enabled and hence always consumes power. In the deeper sleep modes, this will contribute significantly to the total current consumption.

## 11.11 Register Description

### 11.11.1 SMCR – Sleep Mode Control Register

The Sleep Mode Control Register contains control bits for power management.

|               |   |   |   |   |     |     |     |     |      |
|---------------|---|---|---|---|-----|-----|-----|-----|------|
| Bit           | 7 | 6 | 5 | 4 | 3   | 2   | 1   | 0   |      |
| 0x33 (0x53)   | – | – | – | – | SM2 | SM1 | SM0 | SE  | SMCR |
| Read/Write    | R | R | R | R | R/W | R/W | R/W | R/W |      |
| Initial Value | 0 | 0 | 0 | 0 | 0   | 0   | 0   | 0   |      |

- **Bits [7:4]: Reserved**

These bits are unused in the ATmega48PB/88PB/168PB, and will always be read as zero.

- **Bits 3:1 – SM[2:0]: Sleep Mode Select Bits 2, 1, and 0**

These bits select between the five available sleep modes as shown in [Table 11-2](#).

**Table 11-2. Sleep Mode Select**

| SM2 | SM1 | SM0 | Sleep Mode                      |
|-----|-----|-----|---------------------------------|
| 0   | 0   | 0   | Idle                            |
| 0   | 0   | 1   | ADC Noise Reduction             |
| 0   | 1   | 0   | Power-down                      |
| 0   | 1   | 1   | Power-save                      |
| 1   | 0   | 0   | Reserved                        |
| 1   | 0   | 1   | Reserved                        |
| 1   | 1   | 0   | Standby <sup>(1)</sup>          |
| 1   | 1   | 1   | External Standby <sup>(1)</sup> |

Note: 1. Standby mode is only recommended for use with external crystals or resonators.

- **Bit 0 – SE: Sleep Enable**

The SE bit must be written to logic one to make the MCU enter the sleep mode when the SLEEP instruction is executed. To avoid the MCU entering the sleep mode unless it is the programmer's purpose, it is recommended to write the Sleep Enable (SE) bit to one just before the execution of the SLEEP instruction and to clear it immediately after waking up.

## 11.11.2 MCUCR – MCU Control Register

|               |   |      |       |     |   |   |       |      |       |
|---------------|---|------|-------|-----|---|---|-------|------|-------|
| Bit           | 7 | 6    | 5     | 4   | 3 | 2 | 1     | 0    |       |
| 0x35 (0x55)   | – | BODS | BODSE | PUD | – | – | IVSEL | IVCE | MCUCR |
| Read/Write    | R | R/W  | R/W   | R/W | R | R | R/W   | R/W  |       |
| Initial Value | 0 | 0    | 0     | 0   | 0 | 0 | 0     | 0    |       |

- **Bit 6 – BODS: BOD Sleep**

The BODS bit must be written to logic one in order to turn off BOD during sleep, see [Table 11-1 on page 47](#). Writing to the BODS bit is controlled by a timed sequence and an enable bit, BODSE in MCUCR. To disable BOD in relevant sleep modes, both BODS and BODSE must first be set to one. Then, to set the BODS bit, BODS must be set to one and BODSE must be set to zero within four clock cycles.

The BODS bit is active three clock cycles after it is set. A sleep instruction must be executed while BODS is active in order to turn off the BOD for the actual sleep mode. The BODS bit is automatically cleared after three clock cycles.

- **Bit 5 – BODSE: BOD Sleep Enable**

BODSE enables setting of BODS control bit, as explained in BODS bit description. BOD disable is controlled by a timed sequence.

## 11.11.3 PRR – Power Reduction Register

|               |       |        |        |   |        |       |          |       |     |
|---------------|-------|--------|--------|---|--------|-------|----------|-------|-----|
| Bit           | 7     | 6      | 5      | 4 | 3      | 2     | 1        | 0     |     |
| (0x64)        | PRTWI | PRTIM2 | PRTIM0 | – | PRTIM1 | PRSPI | PRUSART0 | PRADC | PRR |
| Read/Write    | R/W   | R/W    | R/W    | R | R/W    | R/W   | R/W      | R/W   |     |
| Initial Value | 0     | 0      | 0      | 0 | 0      | 0     | 0        | 0     |     |

- **Bit 7 – PRTWI: Power Reduction TWI**

Writing a logic one to this bit shuts down the TWI by stopping the clock to the module. When waking up the TWI again, the TWI should be re initialized to ensure proper operation.

- **Bit 6 – PRTIM2: Power Reduction Timer/Counter2**

Writing a logic one to this bit shuts down the Timer/Counter2 module in synchronous mode (AS2 is 0). When the Timer/Counter2 is enabled, operation will continue like before the shutdown.

- **Bit 5 – PRTIM0: Power Reduction Timer/Counter0**

Writing a logic one to this bit shuts down the Timer/Counter0 module. When the Timer/Counter0 is enabled, operation will continue like before the shutdown.

- **Bit 4 – Reserved**

This bit is reserved in ATmega48PB/88PB/168PB and will always read as zero.

- **Bit 3 – PRTIM1: Power Reduction Timer/Counter1**

Writing a logic one to this bit shuts down the Timer/Counter1 module. When the Timer/Counter1 is enabled, operation will continue like before the shutdown.

- **Bit 2 – PRSPI: Power Reduction Serial Peripheral Interface**

If using debugWIRE On-chip Debug System, this bit should not be written to one. Writing a logic one to this bit shuts down the Serial Peripheral Interface by stopping the clock to the module. When waking up the SPI again, the SPI should be re initialized to ensure proper operation.

- **Bit 1 – PRUSART0: Power Reduction USART0**

Writing a logic one to this bit shuts down the USART by stopping the clock to the module. When waking up the USART again, the USART should be re initialized to ensure proper operation.

- **Bit 0 – PRADC: Power Reduction ADC**

Writing a logic one to this bit shuts down the ADC. The ADC must be disabled before shut down. The analog comparator cannot use the ADC input MUX when the ADC is shut down.

## 12. System Control and Reset

### 12.1 Resetting the AVR®

During reset, all I/O Registers are set to their initial values, and the program starts execution from the Reset Vector. For ATmega168PB the instruction placed at the Reset Vector must be a JMP – Absolute Jump – instruction to the reset handling routine. For the ATmega48PB and ATmega88PB, the instruction placed at the Reset Vector must be an RJMP – Relative Jump – instruction to the reset handling routine. If the program never enables an interrupt source, the Interrupt Vectors are not used, and regular program code can be placed at these locations. This is also the case if the Reset Vector is in the Application section while the Interrupt Vectors are in the Boot section or vice versa (ATmega88PB/168PB only). The circuit diagram in [Figure 12-1 on page 56](#) shows the reset logic.

The I/O ports of the AVR are immediately reset to their initial state when a reset source goes active. This does not require any clock source to be running.

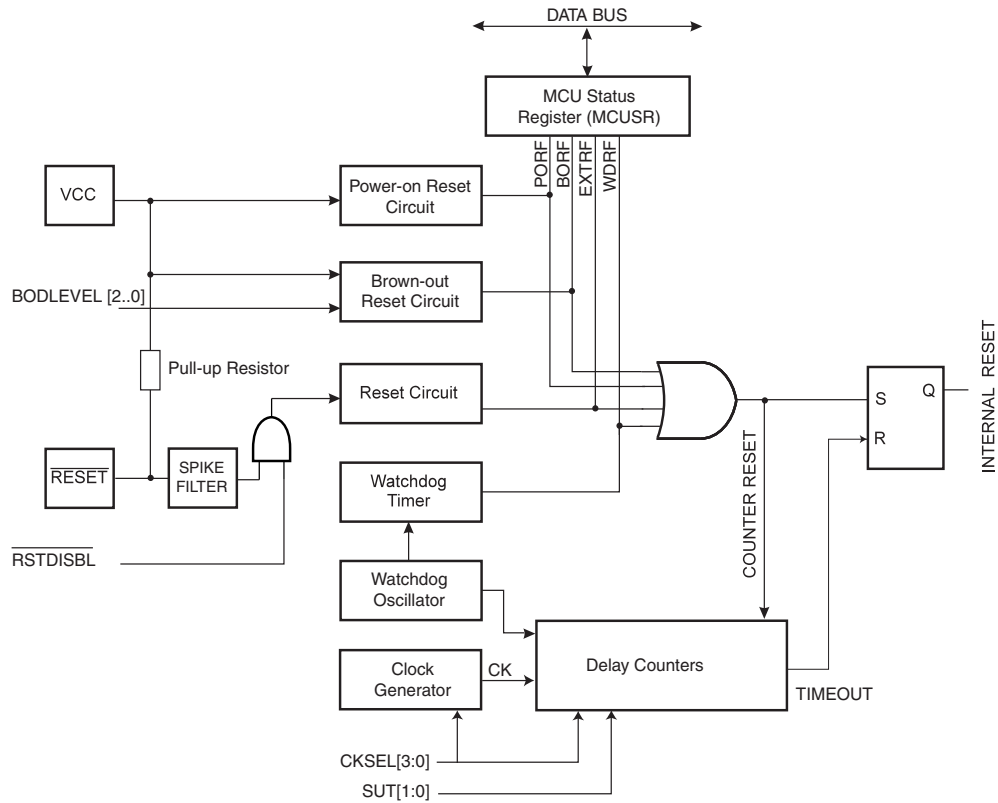
After all reset sources have gone inactive, a delay counter is invoked, stretching the internal reset. This allows the power to reach a stable level before normal operation starts. The time-out period of the delay counter is defined by the user through the SUT and CKSEL Fuses. The different selections for the delay period are presented in ["Clock Sources" on page 37](#).

### 12.2 Reset Sources

The ATmega48PB/88PB/168PB has four sources of reset:

- Power-on Reset. The MCU is reset when the supply voltage is below the Power-on Reset threshold ( $V_{POT}$ ).
- External Reset. The MCU is reset when a low level is present on the  $\overline{RESET}$  pin for longer than the minimum pulse length.
- Watchdog System Reset. The MCU is reset when the Watchdog Timer period expires and the Watchdog System Reset mode is enabled.
- Brown-out Reset. The MCU is reset when the supply voltage  $V_{CC}$  is below the Brown-out Reset threshold ( $V_{BOT}$ ) and the Brown-out Detector is enabled.

**Figure 12-1. Reset Logic**

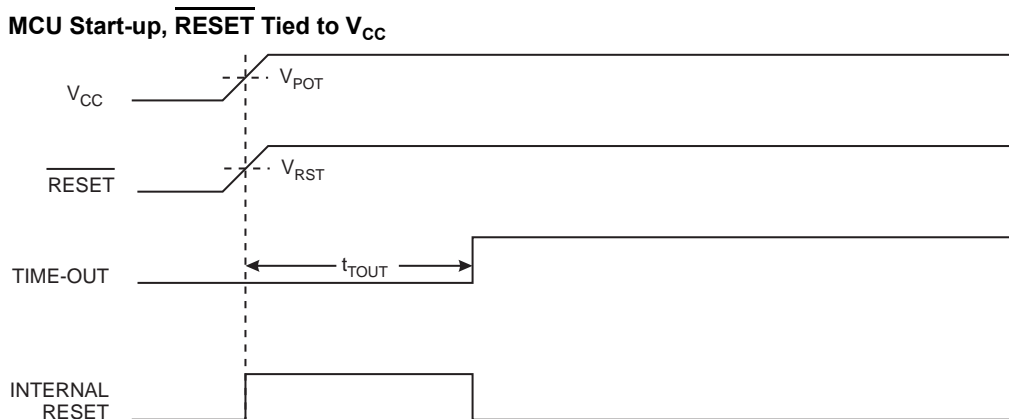


## 12.3 Power-on Reset

A Power-on Reset (POR) pulse is generated by an On-chip detection circuit. The POR is activated whenever  $V_{CC}$  is below the detection level. The POR circuit can be used to trigger the start-up Reset, as well as to detect a failure in supply voltage.

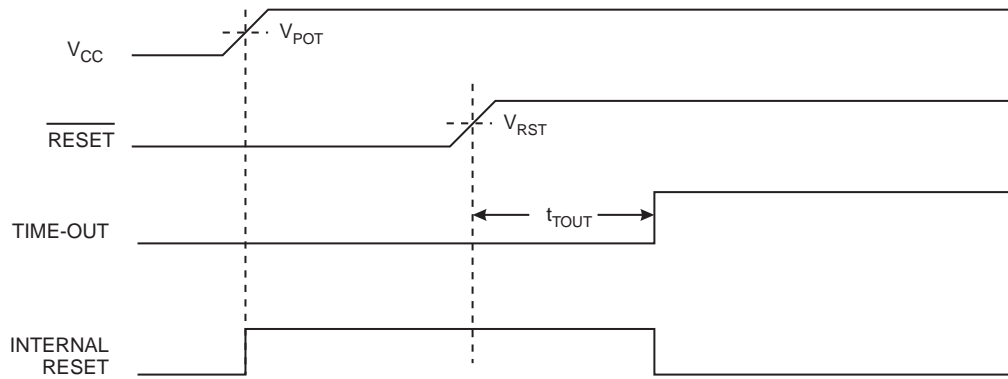
A Power-on Reset (POR) circuit ensures that the device is reset from Power-on. Reaching the Power-on Reset threshold voltage invokes the delay counter, which determines how long the device is kept in RESET after  $V_{CC}$  rise. The RESET signal is activated again, without any delay, when  $V_{CC}$  decreases below the detection level.

**Figure 12-2. MCU Start-up, RESET Tied to  $V_{CC}$**





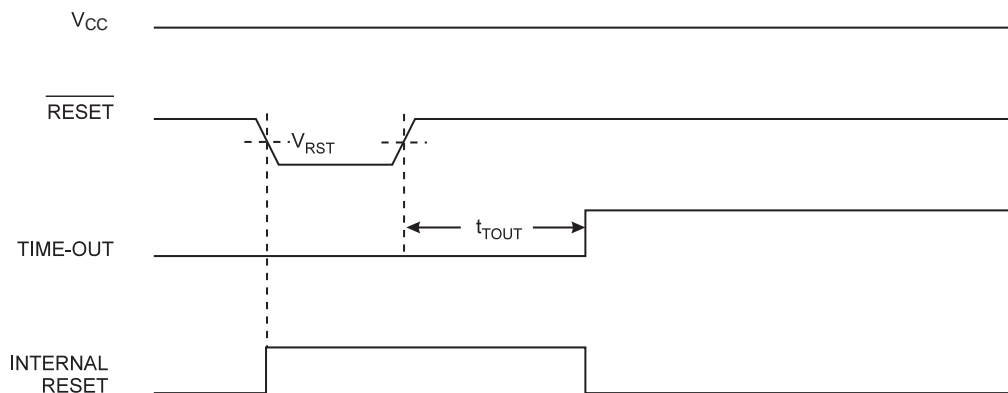
**Figure 12-3. MCU Start-up,  $\overline{\text{RESET}}$  Extended Externally**



## 12.4 External Reset

An External Reset is generated by a low level on the  $\overline{\text{RESET}}$  pin. Reset pulses longer than the minimum pulse width will generate a reset, even if the clock is not running. Shorter pulses are not ensured to generate a reset. When the applied signal reaches the Reset Threshold Voltage –  $V_{RST}$  – on its positive edge, the delay counter starts the MCU after the Time-out period –  $t_{TOUT}$  – has expired. The External Reset can be disabled by the RSTDISBL fuse, see [Table 29-6 on page 294](#).

**Figure 12-4. External Reset During Operation**

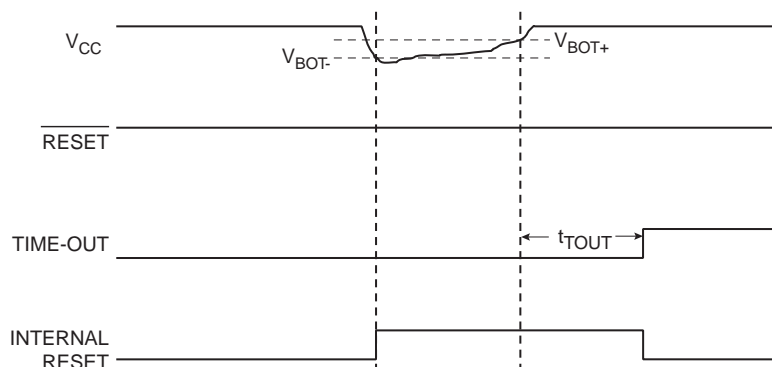


## 12.5 Brown-out Detection

ATmega48PB/88PB/168PB has an On-chip Brown-out Detection (BOD) circuit for monitoring the  $V_{CC}$  level during operation by comparing it to a fixed trigger level. The trigger level for the BOD can be selected by the BODLEVEL Fuses. The trigger level has a hysteresis to ensure spike free Brown-out Detection. The hysteresis on the detection level should be interpreted as  $V_{BOT+} = V_{BOT} + V_{HYST}/2$  and  $V_{BOT-} = V_{BOT} - V_{HYST}/2$ . When the BOD is enabled, and  $V_{CC}$  decreases to a value below the trigger level ( $V_{BOT-}$  in [Figure 12-5 on page 58](#)), the Brown-out Reset is immediately activated. When  $V_{CC}$  increases above the trigger level ( $V_{BOT+}$  in [Figure 12-5 on page 58](#)), the delay counter starts the MCU after the Time-out period  $t_{TOUT}$  has expired.

The BOD circuit will only detect a drop in  $V_{CC}$  if the voltage stays below the trigger level for longer than  $t_{BOD}$ .

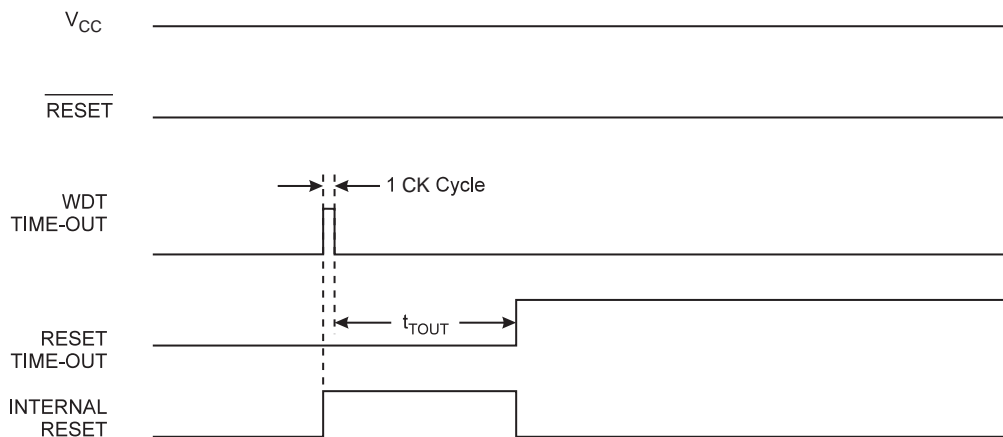
**Figure 12-5. Brown-out Reset During Operation**



## 12.6 Watchdog System Reset

When the Watchdog times out, it will generate a short reset pulse of one CK cycle duration. On the falling edge of this pulse, the delay timer starts counting the Time-out period  $t_{TOUT}$ . Refer to "Watchdog Timer" on page 59 for details on operation of the Watchdog Timer.

**Figure 12-6. Watchdog System Reset During Operation**



## 12.7 Internal Voltage Reference

ATmega48PB/88PB/168PB features an internal bandgap reference. This reference is used for Brown-out Detection, and it can be used as an input to the Analog Comparator or the ADC.

### 12.7.1 Voltage Reference Enable Signals and Start-up Time

The voltage reference has a start-up time that may influence the way it should be used. To save power, the reference is not always turned on. The reference is on during the following situations:

1. When the BOD is enabled (by programming the BODLEVEL [2:0] Fuses).
2. When the bandgap reference is connected to the Analog Comparator (by setting the ACBG bit in ACSR).
3. When the ADC is enabled.

Thus, when the BOD is not enabled, after setting the ACBG bit or enabling the ADC, the user must always allow the reference to start up before the output from the Analog Comparator or ADC is used. To reduce power consumption in Power-down mode, the user can avoid the three conditions above to ensure that the reference is turned off before entering Power-down mode.

## 12.8 Watchdog Timer

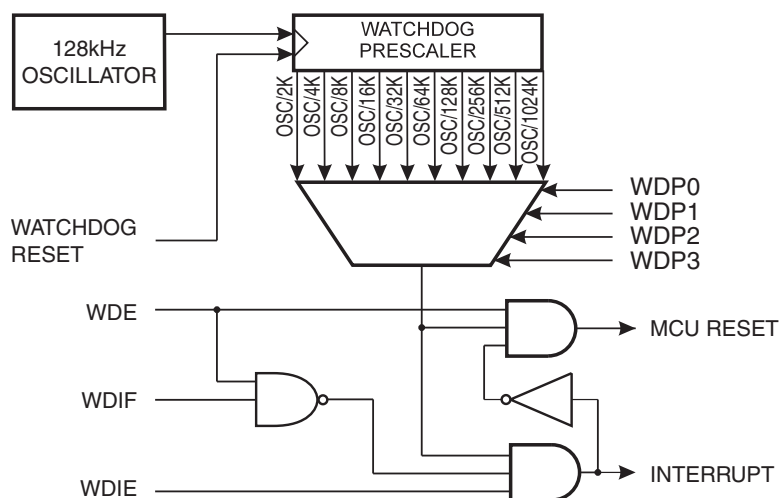
### 12.8.1 Features

- Clocked from separate On-chip Oscillator
- Three operating modes:
  - Interrupt
  - System Reset
  - Interrupt and System Reset
- Selectable Time-out period from 16ms to 8s
- Possible Hardware fuse Watchdog always on (WDTON) for fail-safe mode

### 12.8.2 Overview

ATmega48PB/88PB/168PB has an Enhanced Watchdog Timer (WDT). The WDT is a timer counting cycles of a separate on-chip 128kHz oscillator. The WDT gives an interrupt or a system reset when the counter reaches a given time-out value. In normal operation mode, it is required that the system uses the WDR - Watchdog Timer Reset - instruction to restart the counter before the time-out value is reached. If the system doesn't restart the counter, an interrupt or system reset will be issued.

**Figure 12-7. Watchdog Timer**



In Interrupt mode, the WDT gives an interrupt when the timer expires. This interrupt can be used to wake the device from sleep-modes, and also as a general system timer. One example is to limit the maximum time allowed for certain operations, giving an interrupt when the operation has run longer than expected. In System Reset mode, the WDT gives a reset when the timer expires. This is typically used to prevent system hang-up in case of runaway code. The third mode, Interrupt and System Reset mode, combines the other two modes by first giving an interrupt and then switch to System Reset mode. This mode will for instance allow a safe shutdown by saving critical parameters before a system reset.

The Watchdog always on (WDTON) fuse, if programmed, will force the Watchdog Timer to System Reset mode. With the fuse programmed the System Reset mode bit (WDE) and Interrupt mode bit (WDIE) are locked to 1 and 0 respectively. To further ensure program security, alterations to the Watchdog set-up must follow timed sequences. The sequence for clearing WDE and changing time-out configuration is as follows:

1. In the same operation, write a logic one to the Watchdog change enable bit (WDCE) and WDE. A logic one must be written to WDE regardless of the previous value of the WDE bit.

2. Within the next four clock cycles, write the WDE and Watchdog prescaler bits (WDP) as desired, but with the WDCE bit cleared. This must be done in one operation.

The following code example shows one assembly and one C function for turning off the Watchdog Timer. The example assumes that interrupts are controlled (e.g. by disabling interrupts globally) so that no interrupts will occur during the execution of these functions.

## Assembly Code Example<sup>(1)</sup>

```

WDT_off:
    ; Turn off global interrupt
    cli
    ; Reset Watchdog Timer
    wdr
    ; Clear WDRF in MCUSR
    in    r16, MCUSR
    andi r16, (0xff & (0<<WDRF))
    out  MCUSR, r16
    ; Write logical one to WDCE and WDE
    ; Keep old prescaler setting to prevent unintentional
time-out
    lds r16, WDTCSR
    ori  r16, (1<<WDCE) | (1<<WDE)
    sts WDTCSR, r16
    ; Turn off WDT
    ldi  r16, (0<<WDE)
    sts WDTCSR, r16
    ; Turn on global interrupt
    sei
    ret

```

## C Code Example<sup>(1)</sup>

```

void WDT_off(void)
{
    __disable_interrupt();
    __watchdog_reset();
    /* Clear WDRF in MCUSR */
    MCUSR &= ~(1<<WDRF);
    /* Write logical one to WDCE and WDE */
    /* Keep old prescaler setting to prevent unintentional
time-out */
    WDTCSR |= (1<<WDCE) | (1<<WDE);
    /* Turn off WDT */
    WDTCSR = 0x00;
    __enable_interrupt();
}

```

Note: 1. See "About Code Examples" on page 16.

Note: If the Watchdog is accidentally enabled, for example by a runaway pointer or brown-out condition, the device will be reset and the Watchdog Timer will stay enabled. If the code is not set up to handle the Watchdog, this might lead to an eternal loop of time-out resets. To avoid this situation, the application software should always clear the Watchdog System Reset Flag (WDRF) and the WDE control bit in the initialization routine, even if the Watchdog is not in use.

The following code example shows one assembly and one C function for changing the time-out value of the Watchdog Timer.

## Assembly Code Example<sup>(1)</sup>

```

WDT_Prescaler_Change:
    ; Turn off global interrupt
    cli
    ; Reset Watchdog Timer
    wdr
    ; Start timed sequence
    lds r16, WDTCR
    ori r16, (1<<WDCE) | (1<<WDE)
    sts WDTCR, r16
    ; -- Got four cycles to set the new values from here -
    ; Set new prescaler(time-out) value = 64K cycles (~0.5 s)
    ldi r16, (1<<WDE) | (1<<WDP2) | (1<<WDP0)
    sts WDTCR, r16
    ; -- Finished setting new values, used 2 cycles -
    ; Turn on global interrupt
    sei
    ret
    
```

## C Code Example<sup>(1)</sup>

```

void WDT_Prescaler_Change(void)
{
    __disable_interrupt();
    __watchdog_reset();
    /* Start timed sequence */
    WDTCR |= (1<<WDCE) | (1<<WDE);
    /* Set new prescaler(time-out) value = 64K cycles (~0.5
s) */
    WDTCR = (1<<WDE) | (1<<WDP2) | (1<<WDP0);
    __enable_interrupt();
}
    
```

Note: 1. See "About Code Examples" on page 16.

Note: The Watchdog Timer should be reset before any change of the WDP bits, since a change in the WDP bits can result in a time-out when switching to a shorter time-out period.

## 12.9 Register Description

### 12.9.1 MCUSR – MCU Status Register

The MCU Status Register provides information on which reset source caused an MCU reset.

| Bit           | 7 | 6 | 5 | 4 | 3    | 2                   | 1     | 0    |       |
|---------------|---|---|---|---|------|---------------------|-------|------|-------|
| 0x34 (0x54)   | – | – | – | – | WDRF | BORF                | EXTRF | PORF | MCUSR |
| Read/Write    | R | R | R | R | R/W  | R/W                 | R/W   | R/W  |       |
| Initial Value | 0 | 0 | 0 | 0 |      | See Bit Description |       |      |       |

- **Bit 7:4: Reserved**

These bits are unused bits in the ATmega48PB/88PB/168PB, and will always read as zero.

- **Bit 3 – WDRF: Watchdog System Reset Flag**

This bit is set if a Watchdog System Reset occurs. The bit is reset by a Power-on Reset, or by writing a logic zero to the flag.

- **Bit 2 – BORF: Brown-out Reset Flag**

This bit is set if a Brown-out Reset occurs. The bit is reset by a Power-on Reset, or by writing a logic zero to the flag.

- **Bit 1 – EXTRF: External Reset Flag**

This bit is set if an External Reset occurs. The bit is reset by a Power-on Reset, or by writing a logic zero to the flag.

- **Bit 0 – PORF: Power-on Reset Flag**

This bit is set if a Power-on Reset occurs. The bit is reset only by writing a logic zero to the flag.

To make use of the Reset Flags to identify a reset condition, the user should read and then Reset the MCUSR as early as possible in the program. If the register is cleared before another reset occurs, the source of the reset can be found by examining the Reset Flags.

### 12.9.2 WDTCR – Watchdog Timer Control Register

| Bit           | 7    | 6    | 5    | 4    | 3   | 2    | 1    | 0    |       |
|---------------|------|------|------|------|-----|------|------|------|-------|
| (0x60)        | WDIF | WDIE | WDP3 | WDCE | WDE | WDP2 | WDP1 | WDP0 | WDTCR |
| Read/Write    | R/W  | R/W  | R/W  | R/W  | R/W | R/W  | R/W  | R/W  |       |
| Initial Value | 0    | 0    | 0    | 0    | X   | 0    | 0    | 0    |       |

- **Bit 7 – WDIF: Watchdog Interrupt Flag**

This bit is set when a time-out occurs in the Watchdog Timer and the Watchdog Timer is configured for interrupt. WDIF is cleared by hardware when executing the corresponding interrupt handling vector. Alternatively, WDIF is cleared by writing a logic one to the flag. When the I-bit in SREG and WDIE are set, the Watchdog Time-out Interrupt is executed.

- **Bit 6 – WDIE: Watchdog Interrupt Enable**

When this bit is written to one and the I-bit in the Status Register is set, the Watchdog Interrupt is enabled. If WDE is cleared in combination with this setting, the Watchdog Timer is in Interrupt Mode, and the corresponding interrupt is executed if time-out in the Watchdog Timer occurs. If WDE is set, the Watchdog Timer is in Interrupt and System Reset Mode. The first time-out in the Watchdog Timer will set WDIF. Executing the corresponding interrupt vector will clear WDIE and WDIF automatically by hardware (the Watchdog goes to System Reset Mode).

This is useful for keeping the Watchdog Timer security while using the interrupt. To stay in Interrupt and System Reset Mode, WDIE must be set after each interrupt. This should however not be done within the interrupt service routine itself, as this might compromise the safety-function of the Watchdog System Reset mode. If the interrupt is not executed before the next time-out, a System Reset will be applied.

**Table 12-1. Watchdog Timer Configuration**

| WDTON <sup>(1)</sup> | WDE | WDIE | Mode                            | Action on Time-out                      |
|----------------------|-----|------|---------------------------------|---|
| 1                    | 0   | 0    | Stopped                         | None                                    |
| 1                    | 0   | 1    | Interrupt Mode                  | Interrupt                               |
| 1                    | 1   | 0    | System Reset Mode               | Reset                                   |
| 1                    | 1   | 1    | Interrupt and System Reset Mode | Interrupt, then go to System Reset Mode |
| 0                    | x   | x    | System Reset Mode               | Reset                                   |

Note: 1. WDTON Fuse set to “0” means programmed and “1” means unprogrammed.

- **Bit 4 – WDCE: Watchdog Change Enable**

This bit is used in timed sequences for changing WDE and prescaler bits. To clear the WDE bit, and/or change the prescaler bits, WDCE must be set.

Once written to one, hardware will clear WDCE after four clock cycles.

- **Bit 3 – WDE: Watchdog System Reset Enable**

WDE is overridden by WDRF in MCUSR. This means that WDE is always set when WDRF is set. To clear WDE, WDRF must be cleared first. This feature ensures multiple resets during conditions causing failure, and a safe start-up after the failure.

- **Bit 5, 2:0 - WDP[3:0]: Watchdog Timer Prescaler 3, 2, 1, and 0**

The WDP[3:0] bits determine the Watchdog Timer prescaling when the Watchdog Timer is running. The different prescaling values and their corresponding time-out periods are shown in [Table 12-2](#).

**Table 12-2. Watchdog Timer Prescale Select**

| WDP3 | WDP2 | WDP1 | WDP0 | Number of WDT Oscillator Cycles | Typical Time-out at V <sub>CC</sub> = 5.0V |
|------|------|------|------|---------------------------------|--|
| 0    | 0    | 0    | 0    | 2K (2048) cycles                | 16ms                                       |
| 0    | 0    | 0    | 1    | 4K (4096) cycles                | 32ms                                       |
| 0    | 0    | 1    | 0    | 8K (8192) cycles                | 64ms                                       |
| 0    | 0    | 1    | 1    | 16K (16384) cycles              | 0.125s                                     |
| 0    | 1    | 0    | 0    | 32K (32768) cycles              | 0.25s                                      |
| 0    | 1    | 0    | 1    | 64K (65536) cycles              | 0.5s                                       |
| 0    | 1    | 1    | 0    | 128K (131072) cycles            | 1.0s                                       |
| 0    | 1    | 1    | 1    | 256K (262144) cycles            | 2.0s                                       |
| 1    | 0    | 0    | 0    | 512K (524288) cycles            | 4.0s                                       |
| 1    | 0    | 0    | 1    | 1024K (1048576) cycles          | 8.0s                                       |

**Table 12-2. Watchdog Timer Prescale Select (Continued)**

| WDP3 | WDP2 | WDP1 | WDP0 | Number of WDT Oscillator Cycles | Typical Time-out at $V_{CC} = 5.0V$ |
|------|------|------|------|---------------------------------|-------------------------------------|
| 1    | 0    | 1    | 0    | Reserved                        |                                     |
| 1    | 0    | 1    | 1    |                                 |                                     |
| 1    | 1    | 0    | 0    |                                 |                                     |
| 1    | 1    | 0    | 1    |                                 |                                     |
| 1    | 1    | 1    | 0    |                                 |                                     |
| 1    | 1    | 1    | 1    |                                 |                                     |



## 13. Interrupts

This section describes the specifics of the interrupt handling as performed in ATmega48PB/88PB/168PB. For a general explanation of the AVR interrupt handling, refer to ["Reset and Interrupt Handling" on page 22](#).

The interrupt vectors in ATmega48PB, ATmega88PB and ATmega168PB are generally the same, with the following differences:

- Each Interrupt Vector occupies two instruction words in ATmega168PB; and one instruction word in ATmega48PB and ATmega88PB
- ATmega48PB does not have a separate Boot Loader Section. In ATmega88PB and ATmega168PB the Reset Vector is affected by the BOOTRST fuse, and the Interrupt Vector start address is affected by the IVSEL bit in MCUCR

### 13.1 Interrupt Vectors in ATmega48PB

**Table 13-1. Reset and Interrupt Vectors in ATmega48PB**

| Vector No. | Program Address | Source       | Interrupt Definition  |
|------------|-----------------|--------------|---|
| 1          | 0x000           | RESET        | External Pin, Power-on Reset, Brown-out Reset and Watchdog System Reset |
| 2          | 0x001           | INT0         | External Interrupt Request 0  |
| 3          | 0x002           | INT1         | External Interrupt Request 1  |
| 4          | 0x003           | PCINT0       | Pin Change Interrupt Request 0  |
| 5          | 0x004           | PCINT1       | Pin Change Interrupt Request 1  |
| 6          | 0x005           | PCINT2       | Pin Change Interrupt Request 2  |
| 7          | 0x006           | WDT          | Watchdog Time-out Interrupt   |
| 8          | 0x007           | TIMER2_COMPA | Timer/Counter2 Compare Match A  |
| 9          | 0x008           | TIMER2_COMPB | Timer/Counter2 Compare Match B  |
| 10         | 0x009           | TIMER2_OVF   | Timer/Counter2 Overflow   |
| 11         | 0x00A           | TIMER1_CAPT  | Timer/Counter1 Capture Event  |
| 12         | 0x00B           | TIMER1_COMPA | Timer/Counter1 Compare Match A  |
| 13         | 0x00C           | TIMER1_COMPB | Timer/Counter1 Compare Match B  |
| 14         | 0x00D           | TIMER1_OVF   | Timer/Counter1 Overflow   |
| 15         | 0x00E           | TIMER0_COMPA | Timer/Counter0 Compare Match A  |
| 16         | 0x00F           | TIMER0_COMPB | Timer/Counter0 Compare Match B  |
| 17         | 0x010           | TIMER0_OVF   | Timer/Counter0 Overflow   |
| 18         | 0x011           | SPI_STC      | SPI Serial Transfer Complete  |
| 19         | 0x012           | USART_RX     | USART Rx Complete   |
| 20         | 0x013           | USART_UDRE   | USART, Data Register Empty  |
| 21         | 0x014           | USART_TX     | USART, Tx Complete  |
| 22         | 0x015           | ADC          | ADC Conversion Complete   |
| 23         | 0x016           | EE_READY     | EEPROM Ready  |
| 24         | 0x017           | ANALOG_COMP  | Analog Comparator   |

**Table 13-1. Reset and Interrupt Vectors in ATmega48PB (Continued)**

| Vector No. | Program Address | Source      | Interrupt Definition                       |
|------------|-----------------|-------------|--|
| 25         | 0x018           | TWI         | 2-wire Serial Interface (I <sup>2</sup> C) |
| 26         | 0x019           | SPM_READY   | Store Program Memory Ready                 |
| 27         | 0x01A           | USART_START | USART Start Edge Interrupt                 |

The most typical and general program setup for the Reset and Interrupt Vector Addresses in ATmega48PB is:

| Address            | Labels | CodeComments               |
|--------------------|--------|----------------------------|
| 0x000              |        | rjmpRESET; Reset Handler   |
| 0x001              |        | rjmpEXT_INT0; IRQ0 Handler |
| 0x002              |        | rjmpEXT_INT1; IRQ1 Handler |
| 0x003              |        | rjmpPCINT0; PCINT0 Handler |
| 0x004              |        | rjmpPCINT1; PCINT1 Handler |
| 0x005              |        | rjmpPCINT2; PCINT2 Handler |
| 0x006              |        | rjmpWDT; Watchdog Timer    |
| Handler            |        |                            |
| 0x007              |        | rjmpTIM2_COMPA; Timer2     |
| Compare A Handler  |        |                            |
| 0x008              |        | rjmpTIM2_COMPB; Timer2     |
| Compare B Handler  |        |                            |
| 0x009              |        | rjmpTIM2_OVF; Timer2       |
| Overflow Handler   |        |                            |
| 0x00A              |        | rjmpTIM1_CAPT; Timer1      |
| Capture Handler    |        |                            |
| 0x00B              |        | rjmpTIM1_COMPA; Timer1     |
| Compare A Handler  |        |                            |
| 0x00C              |        | rjmpTIM1_COMPB; Timer1     |
| Compare B Handler  |        |                            |
| 0x00D              |        | rjmpTIM1_OVF; Timer1       |
| Overflow Handler   |        |                            |
| 0x00E              |        | rjmpTIM0_COMPA; Timer0     |
| Compare A Handler  |        |                            |
| 0x00F              |        | rjmpTIM0_COMPB; Timer0     |
| Compare B Handler  |        |                            |
| 0x010              |        | rjmpTIM0_OVF; Timer0       |
| Overflow Handler   |        |                            |
| 0x011              |        | rjmpSPI_STC; SPI Transfer  |
| Complete Handler   |        |                            |
| 0x012              |        | rjmpUSART_RXC; USART, RX   |
| Complete Handler   |        |                            |
| 0x013              |        | rjmpUSART_UDRE; USART, UDR |
| Empty Handler      |        |                            |
| 0x014              |        | rjmpUSART_TXC; USART, TX   |
| Complete Handler   |        |                            |
| 0x015              |        | rjmpADC; ADC Conversion    |
| Complete Handler   |        |                            |
| 0x016              |        | rjmpEE_RDY; EEPROM Ready   |
| Handler            |        |                            |
| 0x017              |        | rjmpANA_COMP; Analog       |
| Comparator Handler |        |                            |
| 0x018              |        | rjmpTWI; 2-wire Serial     |
| Interface Handler  |        |                            |

```

0x019                                     rjmpSPM_RDY; Store Program
Memory Ready Handler
;
0x01A          RESET:                    ldir16, high(RAMEND); Main
program start
0x01B                                               out SPH,r16; Set Stack
Pointer to top of RAM
0x01C                                               ldi r16, low(RAMEND)
0x01D                                               out SPL,r16
0x01E                                               sei; Enable interrupts
0x01F                                               <instr> xxx
...
...
...

```

## 13.2 Interrupt Vectors in ATmega88PB

**Table 13-2. Reset and Interrupt Vectors in ATmega88PB**

| Vector No. | Program Address <sup>(2)</sup> | Source       | Interrupt Definition  |
|------------|--------------------------------|--------------|---|
| 1          | 0x000 <sup>(1)</sup>           | RESET        | External Pin, Power-on Reset, Brown-out Reset and Watchdog System Reset |
| 2          | 0x001                          | INT0         | External Interrupt Request 0  |
| 3          | 0x002                          | INT1         | External Interrupt Request 1  |
| 4          | 0x003                          | PCINT0       | Pin Change Interrupt Request 0  |
| 5          | 0x004                          | PCINT1       | Pin Change Interrupt Request 1  |
| 6          | 0x005                          | PCINT2       | Pin Change Interrupt Request 2  |
| 7          | 0x006                          | WDT          | Watchdog Time-out Interrupt   |
| 8          | 0x007                          | TIMER2_COMPA | Timer/Counter2 Compare Match A  |
| 9          | 0x008                          | TIMER2_COMPB | Timer/Counter2 Compare Match B  |
| 10         | 0x009                          | TIMER2_OVF   | Timer/Counter2 Overflow   |
| 11         | 0x00A                          | TIMER1_CAPT  | Timer/Counter1 Capture Event  |
| 12         | 0x00B                          | TIMER1_COMPA | Timer/Counter1 Compare Match A  |
| 13         | 0x00C                          | TIMER1_COMPB | Timer/Counter1 Compare Match B  |
| 14         | 0x00D                          | TIMER1_OVF   | Timer/Counter1 Overflow   |
| 15         | 0x00E                          | TIMER0_COMPA | Timer/Counter0 Compare Match A  |
| 16         | 0x00F                          | TIMER0_COMPB | Timer/Counter0 Compare Match B  |
| 17         | 0x010                          | TIMER0_OVF   | Timer/Counter0 Overflow   |
| 18         | 0x011                          | SPI_STC      | SPI Serial Transfer Complete  |
| 19         | 0x012                          | USART_RX     | USART Rx Complete   |
| 20         | 0x013                          | USART_UDRE   | USART, Data Register Empty  |
| 21         | 0x014                          | USART_TX     | USART, Tx Complete  |
| 22         | 0x015                          | ADC          | ADC Conversion Complete   |
| 23         | 0x016                          | EE_READY     | EEPROM Ready  |
| 24         | 0x017                          | ANALOG_COMP  | Analog Comparator   |

**Table 13-2. Reset and Interrupt Vectors in ATmega88PB (Continued)**

| Vector No. | Program Address <sup>(2)</sup> | Source      | Interrupt Definition                       |
|------------|--------------------------------|-------------|--|
| 25         | 0x018                          | TWI         | 2-wire Serial Interface (I <sup>2</sup> C) |
| 26         | 0x019                          | SPM_READY   | Store Program Memory Ready                 |
| 27         | 0x01A                          | USART_START | USART Start Edge Interrupt                 |

- Notes:
1. When the BOOTRST Fuse is programmed, the device will jump to the Boot Loader address at reset, see "[Boot Loader Support – Read-While-Write Self-Programming](#)" on page 276.
  2. When the IVSEL bit in MCUCR is set, Interrupt Vectors will be moved to the start of the Boot Flash Section. The address of each Interrupt Vector will then be the address in this table added to the start address of the Boot Flash Section.

[Table 13-3 on page 68](#) shows reset and Interrupt Vectors placement for the various combinations of BOOTRST and IVSEL settings. If the program never enables an interrupt source, the Interrupt Vectors are not used, and regular program code can be placed at these locations. This is also the case if the Reset Vector is in the Application section while the Interrupt Vectors are in the Boot section or vice versa.

**Table 13-3. Reset and Interrupt Vectors Placement in ATmega88PB<sup>(1)</sup>**

| BOOTRST | IVSEL | Reset Address      | Interrupt Vectors Start Address |
|---------|-------|--------------------|---------------------------------|
| 1       | 0     | 0x000              | 0x001                           |
| 1       | 1     | 0x000              | Boot Reset Address + 0x001      |
| 0       | 0     | Boot Reset Address | 0x001                           |
| 0       | 1     | Boot Reset Address | Boot Reset Address + 0x001      |

- Note:
1. The Boot Reset Address is shown in [Table 28-7 on page 288](#). For the BOOTRST Fuse "1" means unprogrammed while "0" means programmed.

The most typical and general program setup for the Reset and Interrupt Vector Addresses in ATmega88PB is:

| Address           | Labels | CodeComments               |
|-------------------|--------|----------------------------|
| 0x000             |        | rjmpRESET; Reset Handler   |
| 0x001             |        | rjmpEXT_INT0; IRQ0 Handler |
| 0x002             |        | rjmpEXT_INT1; IRQ1 Handler |
| 0x003             |        | rjmpPCINT0; PCINT0 Handler |
| 0x004             |        | rjmpPCINT1; PCINT1 Handler |
| 0x005             |        | rjmpPCINT2; PCINT2 Handler |
| 0x006             |        | rjmpWDT; Watchdog Timer    |
| Handler           |        |                            |
| 0x007             |        | rjmpTIM2_COMPA; Timer2     |
| Compare A Handler |        |                            |
| 0x008             |        | rjmpTIM2_COMPB; Timer2     |
| Compare B Handler |        |                            |
| 0x009             |        | rjmpTIM2_OVF; Timer2       |
| Overflow Handler  |        |                            |
| 0x00A             |        | rjmpTIM1_CAPT; Timer1      |
| Capture Handler   |        |                            |
| 0x00B             |        | rjmpTIM1_COMPA; Timer1     |
| Compare A Handler |        |                            |
| 0x00C             |        | rjmpTIM1_COMPB; Timer1     |
| Compare B Handler |        |                            |
| 0x00D             |        | rjmpTIM1_OVF; Timer1       |
| Overflow Handler  |        |                            |

```

0x00E                               rjmpTIM0_COMPA; Timer0
Compare A Handler
0x00F                               rjmpTIM0_COMPB; Timer0
Compare B Handler
0x010                               rjmpTIM0_OVF; Timer0
Overflow Handler
0x011                               rjmpSPI_STC; SPI Transfer
Complete Handler
0x012                               rjmpUSART_RXC; USART, RX
Complete Handler
0x013                               rjmpUSART_UDRE; USART, UDR
Empty Handler
0x014                               rjmpUSART_TXC; USART, TX
Complete Handler
0x015                               rjmpADC; ADC Conversion
Complete Handler
0x016                               rjmpEE_RDY; EEPROM Ready
Handler
0x017                               rjmpANA_COMP; Analog
Comparator Handler
0x018                               rjmpTWI; 2-wire Serial
Interface Handler
0x019                               rjmpSPM_RDY; Store Program
Memory Ready Handler
;
0x01A                               RESET: ldir16, high(RAMEND); Main
program start
0x01B                               out SPH,r16; Set Stack
Pointer to top of RAM
0x01C                               ldi r16, low(RAMEND)
0x01D                               out SPL,r16
0x01E                               sei; Enable interrupts
0x01F                               <instr> xxx

```

When the BOTRST Fuse is unprogrammed, the Boot section size set to 2Kbytes and the IVSEL bit in the MCUCR Register is set before any interrupts are enabled, the most typical and general program setup for the Reset and Interrupt Vector Addresses in ATmega88PB is:

| Address               | Labels | CodeComments               |
|-----------------------|--------|----------------------------|
| 0x000                 | RESET: | ldir16,high(RAMEND); Main  |
| program start         |        |                            |
| 0x001                 |        | outSPH,r16; Set Stack      |
| Pointer to top of RAM |        |                            |
| 0x002                 |        | ldir16,low(RAMEND)         |
| 0x003                 |        | outSPL,r16                 |
| 0x004                 |        | sei; Enable interrupts     |
| 0x005                 |        | <instr> xxx                |
| ;                     |        |                            |
| .org 0xC01            |        |                            |
| 0xC01                 |        | rjmpEXT_INT0; IRQ0 Handler |
| 0xC02                 |        | rjmpEXT_INT1; IRQ1 Handler |
| ...                   |        | .....;                     |
| 0xC19                 |        | rjmpSPM_RDY; Store Program |
| Memory Ready Handler  |        |                            |

When the BOTRST Fuse is programmed and the Boot section size set to 2Kbytes, the most typical and general program setup for the Reset and Interrupt Vector Addresses in ATmega88PB is:

```

Address          Labels          CodeComments
.org 0x001
0x001
0x002
...
0x019
Memory Ready Handler
;
.org 0xC00
0xC00           RESET:           ldir16,high(RAMEND); Main
program start
0xC01           outSPH,r16; Set Stack
Pointer to top of RAM
0xC02           ldir16,low(RAMEND)
0xC03           outSPL,r16
0xC04           sei; Enable interrupts
0xC05           <instr> xxx
    
```

When the BOOTRST Fuse is programmed, the Boot section size set to 2Kbytes and the IVSEL bit in the MCUCR Register is set before any interrupts are enabled, the most typical and general program setup for the Reset and Interrupt Vector Addresses in ATmega88PB is:

```

Address          Labels          CodeComments
;
.org 0xC00
0xC00           rjmpRESET; Reset handler
0xC01           rjmpEXT_INT0; IRQ0 Handler
0xC02           rjmpEXT_INT1; IRQ1 Handler
...
0xC19
Memory Ready Handler
;
0xC1A           RESET:           ldir16,high(RAMEND); Main
program start
0xC1B           outSPH,r16; Set Stack
Pointer to top of RAM
0xC1C           ldir16,low(RAMEND)
0xC1D           outSPL,r16
0xC1E           sei; Enable interrupts
0xC1F           <instr> xxx
    
```

### 13.3 Interrupt Vectors in ATmega168PB

**Table 13-4. Reset and Interrupt Vectors in ATmega168PB**

| VectorNo. | Program Address <sup>(2)</sup> | Source | Interrupt Definition  |
|-----------|--------------------------------|--------|---|
| 1         | 0x0000 <sup>(1)</sup>          | RESET  | External Pin, Power-on Reset, Brown-out Reset and Watchdog System Reset |
| 2         | 0x0002                         | INT0   | External Interrupt Request 0  |
| 3         | 0x0004                         | INT1   | External Interrupt Request 1  |
| 4         | 0x0006                         | PCINT0 | Pin Change Interrupt Request 0  |
| 5         | 0x0008                         | PCINT1 | Pin Change Interrupt Request 1  |
| 6         | 0x000A                         | PCINT2 | Pin Change Interrupt Request 2  |
| 7         | 0x000C                         | WDT    | Watchdog Time-out Interrupt   |

**Table 13-4. Reset and Interrupt Vectors in ATmega168PB (Continued)**

| VectorNo. | Program Address <sup>(2)</sup> | Source       | Interrupt Definition                       |
|-----------|--------------------------------|--------------|--|
| 8         | 0x000E                         | TIMER2_COMPA | Timer/Counter2 Compare Match A             |
| 9         | 0x0010                         | TIMER2_COMPB | Timer/Counter2 Compare Match B             |
| 10        | 0x0012                         | TIMER2_OVF   | Timer/Counter2 Overflow                    |
| 11        | 0x0014                         | TIMER1_CAPT  | Timer/Counter1 Capture Event               |
| 12        | 0x0016                         | TIMER1_COMPA | Timer/Counter1 Compare Match A             |
| 13        | 0x0018                         | TIMER1_COMPB | Timer/Counter1 Compare Match B             |
| 14        | 0x001A                         | TIMER1_OVF   | Timer/Counter1 Overflow                    |
| 15        | 0x001C                         | TIMER0_COMPA | Timer/Counter0 Compare Match A             |
| 16        | 0x001E                         | TIMER0_COMPB | Timer/Counter0 Compare Match B             |
| 17        | 0x0020                         | TIMER0_OVF   | Timer/Counter0 Overflow                    |
| 18        | 0x0022                         | SPI_STC      | SPI Serial Transfer Complete               |
| 19        | 0x0024                         | USART_RX     | USART Rx Complete                          |
| 20        | 0x0026                         | USART_UDRE   | USART, Data Register Empty                 |
| 21        | 0x0028                         | USART_TX     | USART, Tx Complete                         |
| 22        | 0x002A                         | ADC          | ADC Conversion Complete                    |
| 23        | 0x002C                         | EE_READY     | EEPROM Ready                               |
| 24        | 0x002E                         | ANALOG_COMP  | Analog Comparator                          |
| 25        | 0x0030                         | TWI          | 2-wire Serial Interface (I <sup>2</sup> C) |
| 26        | 0x0032                         | SPM_READY    | Store Program Memory Ready                 |
| 27        | 0x0034                         | USART_START  | USART Start Edge Interrupt                 |

- Notes:
1. When the BOOTRST Fuse is programmed, the device will jump to the Boot Loader address at reset, see ["Boot Loader Support – Read-While-Write Self-Programming"](#) on page 276.
  2. When the IVSEL bit in MCUCR is set, Interrupt Vectors will be moved to the start of the Boot Flash Section. The address of each Interrupt Vector will then be the address in this table added to the start address of the Boot Flash Section.

[Table 13-5 on page 71](#) shows reset and Interrupt Vectors placement for the various combinations of BOOTRST and IVSEL settings. If the program never enables an interrupt source, the Interrupt Vectors are not used, and regular program code can be placed at these locations. This is also the case if the Reset Vector is in the Application section while the Interrupt Vectors are in the Boot section or vice versa.

**Table 13-5. Reset and Interrupt Vectors Placement in ATmega168PB<sup>(1)</sup>**

| BOOTRST | IVSEL | Reset Address      | Interrupt Vectors Start Address |
|---------|-------|--------------------|---------------------------------|
| 1       | 0     | 0x000              | 0x002                           |
| 1       | 1     | 0x000              | Boot Reset Address + 0x0002     |
| 0       | 0     | Boot Reset Address | 0x002                           |
| 0       | 1     | Boot Reset Address | Boot Reset Address + 0x0002     |

- Note:
1. The Boot Reset Address is shown in [Table 28-7 on page 288](#). For the BOOTRST Fuse "1" means unprogrammed while "0" means programmed.

The most typical and general program setup for the Reset and Interrupt Vector Addresses in ATmega168PB is:

| Address               | Labels | CodeComments                 |
|-----------------------|--------|------------------------------|
| 0x0000                |        | jmpRESET; Reset Handler      |
| 0x0002                |        | jmpEXT_INT0; IRQ0 Handler    |
| 0x0004                |        | jmpEXT_INT1; IRQ1 Handler    |
| 0x0006                |        | jmpPCINT0; PCINT0 Handler    |
| 0x0008                |        | jmpPCINT1; PCINT1 Handler    |
| 0x000A                |        | jmpPCINT2; PCINT2 Handler    |
| 0x000C                |        | jmpWDT; Watchdog Timer       |
| Handler               |        |                              |
| 0x000E                |        | jmpTIM2_COMPA; Timer2        |
| Compare A Handler     |        |                              |
| 0x0010                |        | jmpTIM2_COMPB; Timer2        |
| Compare B Handler     |        |                              |
| 0x0012                |        | jmpTIM2_OVF; Timer2 Overflow |
| Handler               |        |                              |
| 0x0014                |        | jmpTIM1_CAPT; Timer1 Capture |
| Handler               |        |                              |
| 0x0016                |        | jmpTIM1_COMPA; Timer1        |
| Compare A Handler     |        |                              |
| 0x0018                |        | jmpTIM1_COMPB; Timer1        |
| Compare B Handler     |        |                              |
| 0x001A                |        | jmpTIM1_OVF; Timer1 Overflow |
| Handler               |        |                              |
| 0x001C                |        | jmpTIM0_COMPA; Timer0        |
| Compare A Handler     |        |                              |
| 0x001E                |        | jmpTIM0_COMPB; Timer0        |
| Compare B Handler     |        |                              |
| 0x0020                |        | jmpTIM0_OVF; Timer0 Overflow |
| Handler               |        |                              |
| 0x0022                |        | jmpSPI_STC; SPI Transfer     |
| Complete Handler      |        |                              |
| 0x0024                |        | jmpUSART_RXC; USART, RX      |
| Complete Handler      |        |                              |
| 0x0026                |        | jmpUSART_UDRE; USART, UDR    |
| Empty Handler         |        |                              |
| 0x0028                |        | jmpUSART_TXC; USART, TX      |
| Complete Handler      |        |                              |
| 0x002A                |        | jmpADC; ADC Conversion       |
| Complete Handler      |        |                              |
| 0x002C                |        | jmpEE_RDY; EEPROM Ready      |
| Handler               |        |                              |
| 0x002E                |        | jmpANA_COMP; Analog          |
| Comparator Handler    |        |                              |
| 0x0030                |        | jmpTWI; 2-wire Serial        |
| Interface Handler     |        |                              |
| 0x0032                |        | jmpSPM_RDY; Store Program    |
| Memory Ready Handler  |        |                              |
| ;                     |        |                              |
| 0x0033                | RESET: | ldir16, high(RAMEND); Main   |
| program start         |        |                              |
| 0x0034                |        | out SPH,r16; Set Stack       |
| Pointer to top of RAM |        |                              |
| 0x0035                |        | ldi r16, low(RAMEND)         |
| 0x0036                |        | out SPL,r16                  |
| 0x0037                |        | sei; Enable interrupts       |



```

0x0038                                     <instr> xxx
...

```

When the BOTRST Fuse is unprogrammed, the Boot section size set to 2Kbytes and the IVSEL bit in the MCUCR Register is set before any interrupts are enabled, the most typical and general program setup for the Reset and Interrupt Vector Addresses in ATmega168PB is:

| Address               | Labels | CodeComments              |
|-----------------------|--------|---------------------------|
| 0x0000                | RESET: | ldir16,high(RAMEND); Main |
| program start         |        |                           |
| 0x0001                |        | outSPH,r16; Set Stack     |
| Pointer to top of RAM |        |                           |
| 0x0002                |        | ldir16,low(RAMEND)        |
| 0x0003                |        | outSPL,r16                |
| 0x0004                |        | sei; Enable interrupts    |
| 0x0005                |        | <instr> xxx               |
| ;                     |        |                           |
| .org 0x1C02           |        |                           |
| 0x1C02                |        | jmpEXT_INT0; IRQ0 Handler |
| 0x1C04                |        | jmpEXT_INT1; IRQ1 Handler |
| ...                   |        | .....;                    |
| 0x1C32                |        | jmpSPM_RDY; Store Program |
| Memory Ready Handler  |        |                           |

When the BOTRST Fuse is programmed and the Boot section size set to 2Kbytes, the most typical and general program setup for the Reset and Interrupt Vector Addresses in ATmega168PB is:

| Address               | Labels | CodeComments              |
|-----------------------|--------|---------------------------|
| .org 0x0002           |        |                           |
| 0x0002                |        | jmpEXT_INT0; IRQ0 Handler |
| 0x0004                |        | jmpEXT_INT1; IRQ1 Handler |
| ...                   |        | .....;                    |
| 0x0032                |        | jmpSPM_RDY; Store Program |
| Memory Ready Handler  |        |                           |
| ;                     |        |                           |
| .org 0x1C00           |        |                           |
| 0x1C00                | RESET: | ldir16,high(RAMEND); Main |
| program start         |        |                           |
| 0x1C01                |        | outSPH,r16; Set Stack     |
| Pointer to top of RAM |        |                           |
| 0x1C02                |        | ldir16,low(RAMEND)        |
| 0x1C03                |        | outSPL,r16                |
| 0x1C04                |        | sei; Enable interrupts    |
| 0x1C05                |        | <instr> xxx               |

When the BOTRST Fuse is programmed, the Boot section size set to 2Kbytes and the IVSEL bit in the MCUCR Register is set before any interrupts are enabled, the most typical and general program setup for the Reset and Interrupt Vector Addresses in ATmega168PB is:

| Address     | Labels | CodeComments              |
|-------------|--------|---------------------------|
| ;           |        |                           |
| .org 0x1C00 |        |                           |
| 0x1C00      |        | jmpRESET; Reset handler   |
| 0x1C02      |        | jmpEXT_INT0; IRQ0 Handler |
| 0x1C04      |        | jmpEXT_INT1; IRQ1 Handler |
| ...         |        | .....;                    |

```
0x1C32                               jmpSPM_RDY; Store Program
Memory Ready Handler
;
0x1C33                               RESET:          ldir16,high(RAMEND); Main
program start
0x1C34                               outSPH,r16; Set Stack
Pointer to top of RAM
0x1C35                               ldir16,low(RAMEND)
0x1C36                               outSPL,r16
0x1C37                               sei; Enable interrupts
0x1C38                               <instr> xxx
```

## 13.4 Register Description

### 13.4.1 Moving Interrupts Between Application and Boot Space, ATmega88PB and ATmega168PB

The MCU Control Register controls the placement of the Interrupt Vector table.

### 13.4.2 MCUCR – MCU Control Register

| Bit           | 7 | 6           | 5            | 4          | 3 | 2 | 1            | 0           |              |
|---------------|---|-------------|--------------|------------|---|---|--------------|-------------|--------------|
| 0x35 (0x55)   | – | <b>BODS</b> | <b>BODSE</b> | <b>PUD</b> | – | – | <b>IVSEL</b> | <b>IVCE</b> | <b>MCUCR</b> |
| Read/Write    | R | R/W         | R/W          | R/W        | R | R | R/W          | R/W         |              |
| Initial Value | 0 | 0           | 0            | 0          | 0 | 0 | 0            | 0           |              |

#### • Bit 1 – IVSEL: Interrupt Vector Select

When the IVSEL bit is cleared (zero), the Interrupt Vectors are placed at the start of the Flash memory. When this bit is set (one), the Interrupt Vectors are moved to the beginning of the Boot Loader section of the Flash. The actual address of the start of the Boot Flash Section is determined by the BOOTSZ Fuses. Refer to ["Boot Loader Support – Read-While-Write Self-Programming" on page 276](#) for details. To avoid unintentional changes of Interrupt Vector tables, a special write procedure must be followed to change the IVSEL bit:

- a. Write the Interrupt Vector Change Enable (IVCE) bit to one.
  1. Within four cycles, write the desired value to IVSEL while writing a zero to IVCE.

Interrupts will automatically be disabled while this sequence is executed. Interrupts are disabled in the cycle IVCE is set, and they remain disabled until after the instruction following the write to IVSEL. If IVSEL is not written, interrupts remain disabled for four cycles. The I-bit in the Status Register is unaffected by the automatic disabling.

**Note:** If Interrupt Vectors are placed in the Boot Loader section and Boot Lock bit BLB02 is programmed, interrupts are disabled while executing from the Application section. If Interrupt Vectors are placed in the Application section and Boot Lock bit BLB12 is programmed, interrupts are disabled while executing from the Boot Loader section. Refer to ["Boot Loader Support – Read-While-Write Self-Programming" on page 276](#) for details on Boot Lock bits.

#### • Bit 0 – IVCE: Interrupt Vector Change Enable

The IVCE bit must be written to logic one to enable change of the IVSEL bit. IVCE is cleared by hardware four cycles after it is written or when IVSEL is written. Setting the IVCE bit will disable interrupts, as explained in the IVSEL description above. See Code Example below.

## Assembly Code Example

```
Move_interrupts:
    ; Enable change of Interrupt Vectors
    ldi    r16, (1<<IVCE)
    out   MCUCR, r16
    ; Move interrupts to Boot Flash section
    ldi    r16, (1<<IVSEL)
    out   MCUCR, r16
    ret
```

## C Code Example

```
void Move_interrupts(void)
{
    /* Enable change of Interrupt Vectors */
    MCUCR = (1<<IVCE);
    /* Move interrupts to Boot Flash section */
    MCUCR = (1<<IVSEL);
}
```

## 14. External Interrupts

The External Interrupts are triggered by the INT0 and INT1 pins or any of the PCINT[23:0] pins. Observe that, if enabled, the interrupts will trigger even if the INT0 and INT1 or PCINT[23:0] pins are configured as outputs. This feature provides a way of generating a software interrupt. The pin change interrupt PCI2 will trigger if any enabled PCINT[23:16] pin toggles. The pin change interrupt PCI1 will trigger if any enabled PCINT[14:8] pin toggles. The pin change interrupt PCI0 will trigger if any enabled PCINT[7:0] pin toggles. The PCMSK2, PCMSK1 and PCMSK0 Registers control which pins contribute to the pin change interrupts. Pin change interrupts on PCINT23...0 are detected asynchronously. This implies that these interrupts can be used for waking the part also from sleep modes other than Idle mode.

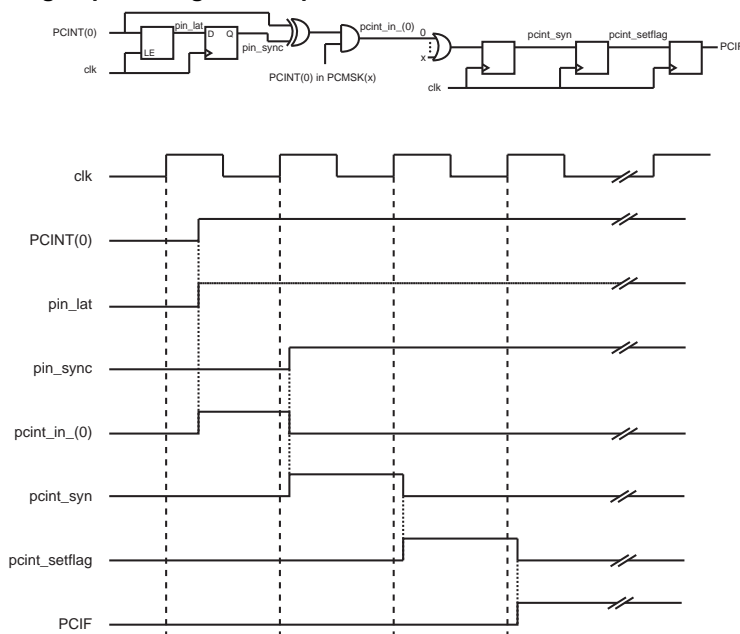
The INT0 and INT1 interrupts can be triggered by a falling or rising edge or a low level. This is set up as indicated in the specification for the External Interrupt Control Register A – EICRA. When the INT0 or INT1 interrupts are enabled and are configured as level triggered, the interrupts will trigger as long as the pin is held low. Low level and edge interrupts on INT0 and INT1 are detected asynchronously. This implies that this interrupt can be used for waking the part also from sleep modes other than Idle mode. The I/O clock is halted in all sleep modes except Idle mode.

Note: Note that if a level triggered interrupt is used for wake-up from Power-down, the required level must be held long enough for the MCU to complete the wake-up to trigger the level interrupt. If the level disappears before the end of the Start-up Time, the MCU will still wake up, but no interrupt will be generated. The start-up time is defined by the SUT and CKSEL Fuses as described in "System Clock and Clock Options" on page 36.

### 14.1 Pin Change Interrupt Timing

An example of timing of a pin change interrupt is shown in Figure 14-1.

Figure 14-1. Timing of pin change interrupts



## 14.2 Register Description

### 14.2.1 EICRA – External Interrupt Control Register A

The External Interrupt Control Register A contains control bits for interrupt sense control.

|               |   |   |   |   |       |       |       |       |       |
|---------------|---|---|---|---|-------|-------|-------|-------|-------|
| Bit           | 7 | 6 | 5 | 4 | 3     | 2     | 1     | 0     | EICRA |
| (0x69)        | – | – | – | – | ISC11 | ISC10 | ISC01 | ISC00 |       |
| Read/Write    | R | R | R | R | R/W   | R/W   | R/W   | R/W   |       |
| Initial Value | 0 | 0 | 0 | 0 | 0     | 0     | 0     | 0     |       |

- **Bit 7:4 – Reserved**

These bits are unused bits in the ATmega48PB/88PB/168PB, and will always read as zero.

- **Bit 3, 2 – ISC11, ISC10: Interrupt Sense Control 1 Bit 1 and Bit 0**

The External Interrupt 1 is activated by the external pin INT1 if the SREG I-flag and the corresponding interrupt mask are set. The level and edges on the external INT1 pin that activate the interrupt are defined in [Table 14-1](#). The value on the INT1 pin is sampled before detecting edges. If edge or toggle interrupt is selected, pulses that last longer than one clock period will generate an interrupt. Shorter pulses are not ensured to generate an interrupt. If low level interrupt is selected, the low level must be held until the completion of the currently executing instruction to generate an interrupt.

**Table 14-1. Interrupt 1 Sense Control**

| ISC11 | ISC10 | Description  |
|-------|-------|--|
| 0     | 0     | The low level of INT1 generates an interrupt request.      |
| 0     | 1     | Any logical change on INT1 generates an interrupt request. |
| 1     | 0     | The falling edge of INT1 generates an interrupt request.   |
| 1     | 1     | The rising edge of INT1 generates an interrupt request.    |

- **Bit 1, 0 – ISC01, ISC00: Interrupt Sense Control 0 Bit 1 and Bit 0**

The External Interrupt 0 is activated by the external pin INT0 if the SREG I-flag and the corresponding interrupt mask are set. The level and edges on the external INT0 pin that activate the interrupt are defined in [Table 14-2](#). The value on the INT0 pin is sampled before detecting edges. If edge or toggle interrupt is selected, pulses that last longer than one clock period will generate an interrupt. Shorter pulses are not ensured to generate an interrupt. If low level interrupt is selected, the low level must be held until the completion of the currently executing instruction to generate an interrupt.

**Table 14-2. Interrupt 0 Sense Control**

| ISC01 | ISC00 | Description  |
|-------|-------|--|
| 0     | 0     | The low level of INT0 generates an interrupt request.      |
| 0     | 1     | Any logical change on INT0 generates an interrupt request. |
| 1     | 0     | The falling edge of INT0 generates an interrupt request.   |
| 1     | 1     | The rising edge of INT0 generates an interrupt request.    |

## 14.2.2 EIMSK – External Interrupt Mask Register

| Bit           | 7 | 6 | 5 | 4 | 3 | 2 | 1   | 0    |      |       |
|---------------|---|---|---|---|---|---|-----|------|------|-------|
| 0x1D (0x3D)   | - |   |   |   |   |   |     | INT1 | INT0 | EIMSK |
| Read/Write    | R | R | R | R | R | R | R/W | R/W  |      |       |
| Initial Value | 0 | 0 | 0 | 0 | 0 | 0 | 0   | 0    |      |       |

- **Bit 7:2 – Reserved**

These bits are unused and reserved for future use. For compatibility with future devices, always write these bits to zero when this register is written. These bits will always return zero when read.

- **Bit 1 – INT1: External Interrupt Request 1 Enable**

When the INT1 bit is set (one) and the I-bit in the Status Register (SREG) is set (one), the external pin interrupt is enabled. The Interrupt Sense Control1 bits 1/0 (ISC11 and ISC10) in the External Interrupt Control Register A (EICRA) define whether the external interrupt is activated on rising and/or falling edge of the INT1 pin or level sensed. Activity on the pin will cause an interrupt request even if INT1 is configured as an output. The corresponding interrupt of External Interrupt Request 1 is executed from the INT1 Interrupt Vector.

- **Bit 0 – INT0: External Interrupt Request 0 Enable**

When the INT0 bit is set (one) and the I-bit in the Status Register (SREG) is set (one), the external pin interrupt is enabled. The Interrupt Sense Control0 bits 1/0 (ISC01 and ISC00) in the External Interrupt Control Register A (EICRA) define whether the external interrupt is activated on rising and/or falling edge of the INT0 pin or level sensed. Activity on the pin will cause an interrupt request even if INT0 is configured as an output. The corresponding interrupt of External Interrupt Request 0 is executed from the INT0 Interrupt Vector.

## 14.2.3 EIFR – External Interrupt Flag Register

| Bit           | 7 | 6 | 5 | 4 | 3 | 2 | 1   | 0     |       |      |
|---------------|---|---|---|---|---|---|-----|-------|-------|------|
| 0x1C (0x3C)   | - |   |   |   |   |   |     | INTF1 | INTF0 | EIFR |
| Read/Write    | R | R | R | R | R | R | R/W | R/W   |       |      |
| Initial Value | 0 | 0 | 0 | 0 | 0 | 0 | 0   | 0     |       |      |

- **Bit 7:2 – Reserved**

These bits are unused and reserved for future use. For compatibility with future devices, always write these bits to zero when this register is written. These bits will always return zero when read.

- **Bit 1 – INTF1: External Interrupt Flag 1**

When an edge or logic change on the INT1 pin triggers an interrupt request, INTF1 becomes set (one). If the I-bit in SREG and the INT1 bit in EIMSK are set (one), the MCU will jump to the corresponding Interrupt Vector. The flag is cleared when the interrupt routine is executed. Alternatively, the flag can be cleared by writing a logical one to it. This flag is always cleared when INT1 is configured as a level interrupt.

- **Bit 0 – INTF0: External Interrupt Flag 0**

When an edge or logic change on the INT0 pin triggers an interrupt request, INTF0 becomes set (one). If the I-bit in SREG and the INT0 bit in EIMSK are set (one), the MCU will jump to the corresponding Interrupt Vector. The flag is cleared when the interrupt routine is executed. Alternatively, the flag can be cleared by writing a logical one to it. This flag is always cleared when INT0 is configured as a level interrupt.

## 14.2.4 PCICR – Pin Change Interrupt Control Register

| Bit           | 7 | 6 | 5 | 4 | 3 | 2     | 1     | 0     |       |
|---------------|---|---|---|---|---|-------|-------|-------|-------|
| (0x68)        | – | – | – | – | – | PCIE2 | PCIE1 | PCIE0 | PCICR |
| Read/Write    | R | R | R | R | R | R/W   | R/W   | R/W   |       |
| Initial Value | 0 | 0 | 0 | 0 | 0 | 0     | 0     | 0     |       |

- **Bit 7:3 – Reserved**

These bits are unused and reserved for future use. For compatibility with future devices, always write these bits to zero when this register is written. These bits will always return zero when read.

- **Bit 2 – PCIE2: Pin Change Interrupt Enable 2**

When the PCIE2 bit is set (one) and the I-bit in the Status Register (SREG) is set (one), pin change interrupt 2 is enabled. Any change on any enabled PCINT[23:16] pin will cause an interrupt. The corresponding interrupt of Pin Change Interrupt Request is executed from the PCI2 Interrupt Vector. PCINT[23:16] pins are enabled individually by the PCMSK2 Register.

- **Bit 1 – PCIE1: Pin Change Interrupt Enable 1**

When the PCIE1 bit is set (one) and the I-bit in the Status Register (SREG) is set (one), pin change interrupt 1 is enabled. Any change on any enabled PCINT[14:8] pin will cause an interrupt. The corresponding interrupt of Pin Change Interrupt Request is executed from the PCI1 Interrupt Vector. PCINT[14:8] pins are enabled individually by the PCMSK1 Register.

- **Bit 0 – PCIE0: Pin Change Interrupt Enable 0**

When the PCIE0 bit is set (one) and the I-bit in the Status Register (SREG) is set (one), pin change interrupt 0 is enabled. Any change on any enabled PCINT[7:0] pin will cause an interrupt. The corresponding interrupt of Pin Change Interrupt Request is executed from the PCI0 Interrupt Vector. PCINT[7:0] pins are enabled individually by the PCMSK0 Register.

## 14.2.5 PCIFR – Pin Change Interrupt Flag Register

| Bit           | 7 | 6 | 5 | 4 | 3 | 2     | 1     | 0     |       |
|---------------|---|---|---|---|---|-------|-------|-------|-------|
| 0x1B (0x3B)   | – | – | – | – | – | PCIF2 | PCIF1 | PCIF0 | PCIFR |
| Read/Write    | R | R | R | R | R | R/W   | R/W   | R/W   |       |
| Initial Value | 0 | 0 | 0 | 0 | 0 | 0     | 0     | 0     |       |

- **Bit 7:3 – Reserved**

These bits are unused and reserved for future use. For compatibility with future devices, always write these bits to zero when this register is written. These bits will always return zero when read.

- **Bit 2 – PCIF2: Pin Change Interrupt Flag 2**

When a logic change on any PCINT[23:16] pin triggers an interrupt request, PCIF2 becomes set (one). If the I-bit in SREG and the PCIE2 bit in PCICR are set (one), the MCU will jump to the corresponding Interrupt Vector. The flag is cleared when the interrupt routine is executed. Alternatively, the flag can be cleared by writing a logical one to it.

- **Bit 1 – PCIF1: Pin Change Interrupt Flag 1**

When a logic change on any PCINT[14:8] pin triggers an interrupt request, PCIF1 becomes set (one). If the I-bit in SREG and the PCIE1 bit in PCICR are set (one), the MCU will jump to the corresponding Interrupt Vector. The flag is cleared when the interrupt routine is executed. Alternatively, the flag can be cleared by writing a logical one to it.



- **Bit 0 – PCIF0: Pin Change Interrupt Flag 0**

When a logic change on any PCINT[7:0] pin triggers an interrupt request, PCIF0 becomes set (one). If the I-bit in SREG and the PCIE0 bit in PCICR are set (one), the MCU will jump to the corresponding Interrupt Vector. The flag is cleared when the interrupt routine is executed. Alternatively, the flag can be cleared by writing a logical one to it.

## 14.2.6 PCMSK2 – Pin Change Mask Register 2

|               |  |     |     |     |     |     |     |     |        |
|---------------|--|-----|-----|-----|-----|-----|-----|-----|--------|
| Bit           | 7  | 6   | 5   | 4   | 3   | 2   | 1   | 0   |        |
| (0x6D)        | <b>PCINT23 PCINT22 PCINT21 PCINT20 PCINT19 PCINT18 PCINT17 PCINT16</b> |     |     |     |     |     |     |     | PCMSK2 |
| Read/Write    | R/W  | R/W | R/W | R/W | R/W | R/W | R/W | R/W |        |
| Initial Value | 0  | 0   | 0   | 0   | 0   | 0   | 0   | 0   |        |

- **Bit 7:0 – PCINT[23:16]: Pin Change Enable Mask 23...16**

Each PCINT[23:16]-bit selects whether pin change interrupt is enabled on the corresponding I/O pin. If PCINT[23:16] is set and the PCIE2 bit in PCICR is set, pin change interrupt is enabled on the corresponding I/O pin. If PCINT[23:16] is cleared, pin change interrupt on the corresponding I/O pin is disabled.

## 14.2.7 PCMSK1 – Pin Change Mask Register 1

|               |   |                |                |                |                |                |               |               |        |
|---------------|---|----------------|----------------|----------------|----------------|----------------|---------------|---------------|--------|
| Bit           | 7 | 6              | 5              | 4              | 3              | 2              | 1             | 0             |        |
| (0x6C)        | – | <b>PCINT14</b> | <b>PCINT13</b> | <b>PCINT12</b> | <b>PCINT11</b> | <b>PCINT10</b> | <b>PCINT9</b> | <b>PCINT8</b> | PCMSK1 |
| Read/Write    | R | R/W            | R/W            | R/W            | R/W            | R/W            | R/W           | R/W           |        |
| Initial Value | 0 | 0              | 0              | 0              | 0              | 0              | 0             | 0             |        |

- **Bit 7 – Reserved**

This bit is unused and reserved for future use. For compatibility with future devices, always write this bit to zero when this register is written. This bit will always return zero when read.

- **Bit 6:0 – PCINT[14:8]: Pin Change Enable Mask 14...8**

Each PCINT[14:8]-bit selects whether pin change interrupt is enabled on the corresponding I/O pin. If PCINT[14:8] is set and the PCIE1 bit in PCICR is set, pin change interrupt is enabled on the corresponding I/O pin. If PCINT[14:8] is cleared, pin change interrupt on the corresponding I/O pin is disabled.

## 14.2.8 PCMSK0 – Pin Change Mask Register 0

|               |  |     |     |     |     |     |     |     |        |
|---------------|--|-----|-----|-----|-----|-----|-----|-----|--------|
| Bit           | 7  | 6   | 5   | 4   | 3   | 2   | 1   | 0   |        |
| (0x6B)        | <b>PCINT7 PCINT6 PCINT5 PCINT4 PCINT3 PCINT2 PCINT1 PCINT0</b> |     |     |     |     |     |     |     | PCMSK0 |
| Read/Write    | R/W  | R/W | R/W | R/W | R/W | R/W | R/W | R/W |        |
| Initial Value | 0  | 0   | 0   | 0   | 0   | 0   | 0   | 0   |        |

- **Bit 7:0 – PCINT[7:0]: Pin Change Enable Mask 7...0**

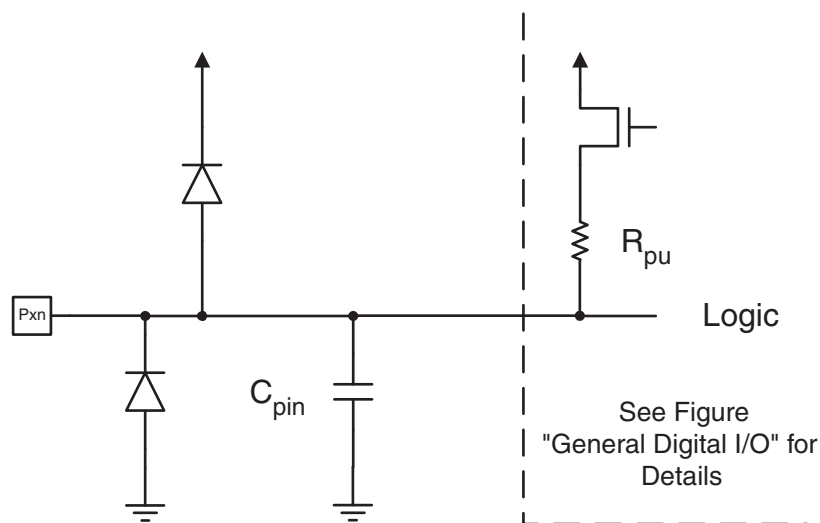
Each PCINT[7:0] bit selects whether pin change interrupt is enabled on the corresponding I/O pin. If PCINT[7:0] is set and the PCIE0 bit in PCICR is set, pin change interrupt is enabled on the corresponding I/O pin. If PCINT[7:0] is cleared, pin change interrupt on the corresponding I/O pin is disabled.

## 15. I/O-Ports

### 15.1 Overview

All AVR ports have true Read-Modify-Write functionality when used as general digital I/O ports. This means that the direction of one port pin can be changed without unintentionally changing the direction of any other pin with the SBI and CBI instructions. The same applies when changing drive value (if configured as output) or enabling/disabling of pull-up resistors (if configured as input). Each output buffer has symmetrical drive characteristics with both high sink and source capability. The pin driver is strong enough to drive LED displays directly. All port pins have individually selectable pull-up resistors with a supply-voltage invariant resistance. All I/O pins have protection diodes to both  $V_{CC}$  and Ground as indicated in [Figure 15-1](#).

**Figure 15-1. I/O Pin Equivalent Schematic**



All registers and bit references in this section are written in general form. A lower case “x” represents the numbering letter for the port, and a lower case “n” represents the bit number. However, when using the register or bit defines in a program, the precise form must be used. For example, PORTB3 for bit no. 3 in Port B, here documented generally as PORTxn. The physical I/O Registers and bit locations are listed in [“Register Description” on page 98](#).

Three I/O memory address locations are allocated for each port, one each for the Data Register – PORTx, Data Direction Register – DDRx, and the Port Input Pins – PINx. The Port Input Pins I/O location is read only, while the Data Register and the Data Direction Register are read/write. However, writing a logic one to a bit in the PINx Register, will result in a toggle in the corresponding bit in the Data Register. In addition, the Pull-up Disable – PUD bit in MCUCR disables the pull-up function for all pins in all ports when set.

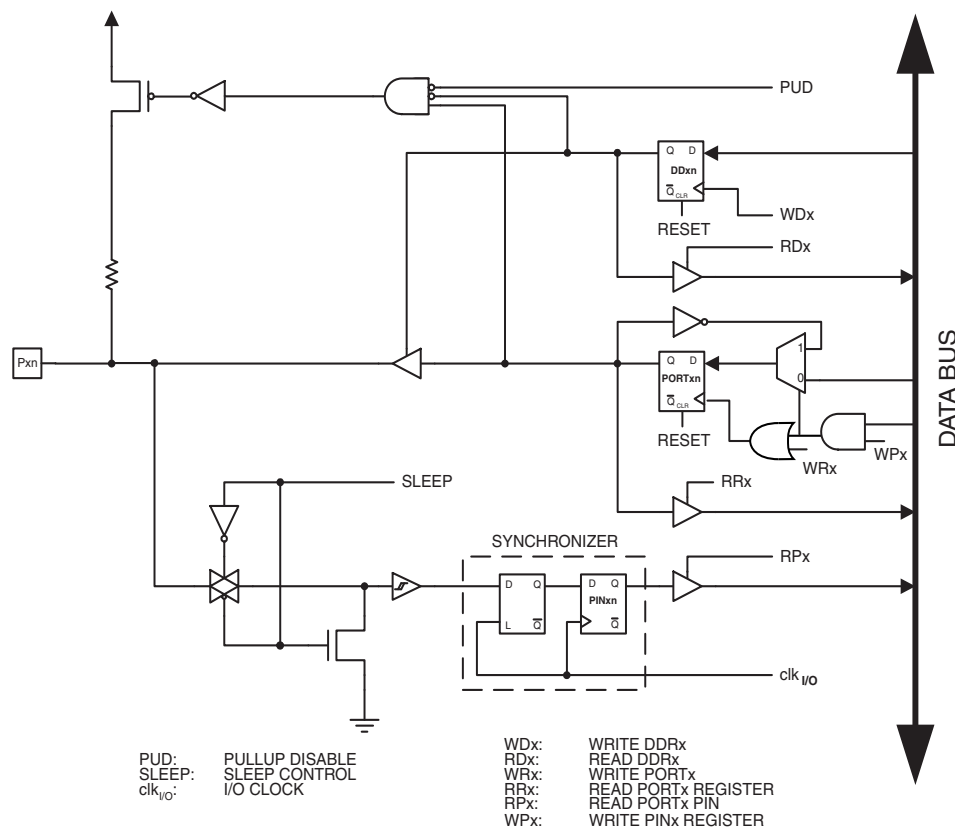
Using the I/O port as General Digital I/O is described in [“Ports as General Digital I/O” on page 83](#). Most port pins are multiplexed with alternate functions for the peripheral features on the device. How each alternate function interferes with the port pin is described in [“Alternate Port Functions” on page 87](#). Refer to the individual module sections for a full description of the alternate functions.

Note that enabling the alternate function of some of the port pins does not affect the use of the other pins in the port as general digital I/O.

## 15.2 Ports as General Digital I/O

The ports are bi-directional I/O ports with optional internal pull-ups. Figure 15-2 shows a functional description of one I/O-port pin, here generically called Pxn.

**Figure 15-2. General Digital I/O<sup>(1)</sup>**



Note: 1. WRx, WPx, WDx, RRx, RPx, and RDx are common to all pins within the same port. clk<sub>I/O</sub>, SLEEP, and PUD are common to all ports.

### 15.2.1 Configuring the Pin

Each port pin consists of three register bits: DDxn, PORTxn, and PINxn. As shown in "Register Description" on page 98, the DDxn bits are accessed at the DDRx I/O address, the PORTxn bits at the PORTx I/O address, and the PINxn bits at the PINx I/O address.

The DDxn bit in the DDRx Register selects the direction of this pin. If DDxn is written logic one, Pxn is configured as an output pin. If DDxn is written logic zero, Pxn is configured as an input pin.

If PORTxn is written logic one when the pin is configured as an input pin, the pull-up resistor is activated. To switch the pull-up resistor off, PORTxn has to be written logic zero or the pin has to be configured as an output pin. The port pins are tri-stated when reset condition becomes active, even if no clocks are running.

If PORTxn is written logic one when the pin is configured as an output pin, the port pin is driven high (one). If PORTxn is written logic zero when the pin is configured as an output pin, the port pin is driven low (zero).

### 15.2.2 Toggling the Pin

Writing a logic one to PINxn toggles the value of PORTxn, independent on the value of DDRxn. Note that the SBI instruction can be used to toggle one single bit in a port.

## 15.2.3 Switching Between Input and Output

When switching between tri-state ( $\{DDxn, PORTxn\} = 0b00$ ) and output high ( $\{DDxn, PORTxn\} = 0b11$ ), an intermediate state with either pull-up enabled ( $\{DDxn, PORTxn\} = 0b01$ ) or output low ( $\{DDxn, PORTxn\} = 0b10$ ) must occur. Normally, the pull-up enabled state is fully acceptable, as a high-impedance environment will not notice the difference between a strong high driver and a pull-up. If this is not the case, the PUD bit in the MCUCR Register can be set to disable all pull-ups in all ports.

Switching between input with pull-up and output low generates the same problem. The user must use either the tri-state ( $\{DDxn, PORTxn\} = 0b00$ ) or the output high state ( $\{DDxn, PORTxn\} = 0b11$ ) as an intermediate step.

Table 15-1 summarizes the control signals for the pin value.

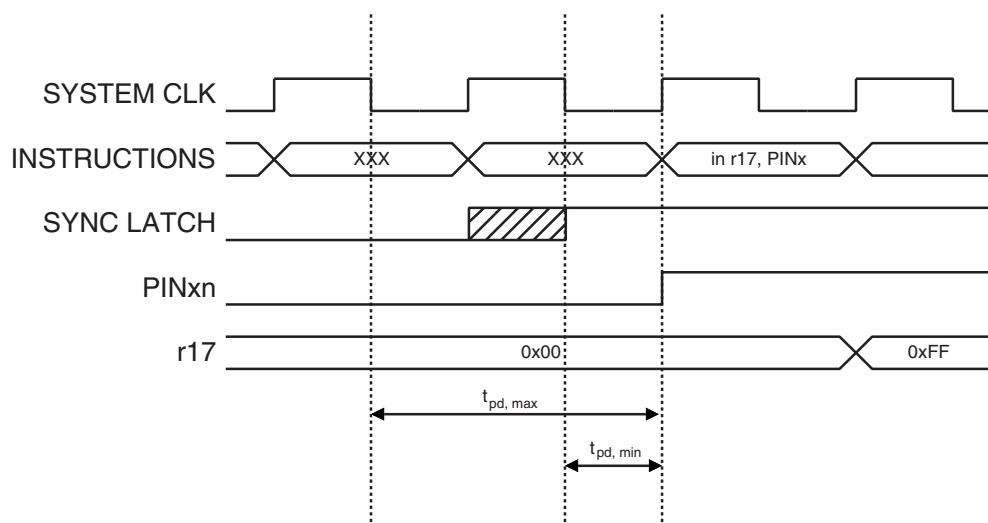
**Table 15-1. Port Pin Configurations**

| DDxn | PORTxn | PUD (in MCUCR) | I/O    | Pull-up | Comment                                    |
|------|--------|----------------|--------|---------|--|
| 0    | 0      | X              | Input  | No      | Tri-state (Hi-Z)                           |
| 0    | 1      | 0              | Input  | Yes     | Pxn will source current if ext. pulled low |
| 0    | 1      | 1              | Input  | No      | Tri-state (Hi-Z)                           |
| 1    | 0      | X              | Output | No      | Output Low (Sink)                          |
| 1    | 1      | X              | Output | No      | Output High (Source)                       |

## 15.2.4 Reading the Pin Value

Independent of the setting of Data Direction bit DDxn, the port pin can be read through the PINxn Register bit. As shown in Figure 15-2 on page 83, the PINxn Register bit and the preceding latch constitute a synchronizer. This is needed to avoid metastability if the physical pin changes value near the edge of the internal clock, but it also introduces a delay. Figure 15-3 shows a timing diagram of the synchronization when reading an externally applied pin value. The maximum and minimum propagation delays are denoted  $t_{pd,max}$  and  $t_{pd,min}$  respectively.

**Figure 15-3. Synchronization when Reading an Externally Applied Pin value**

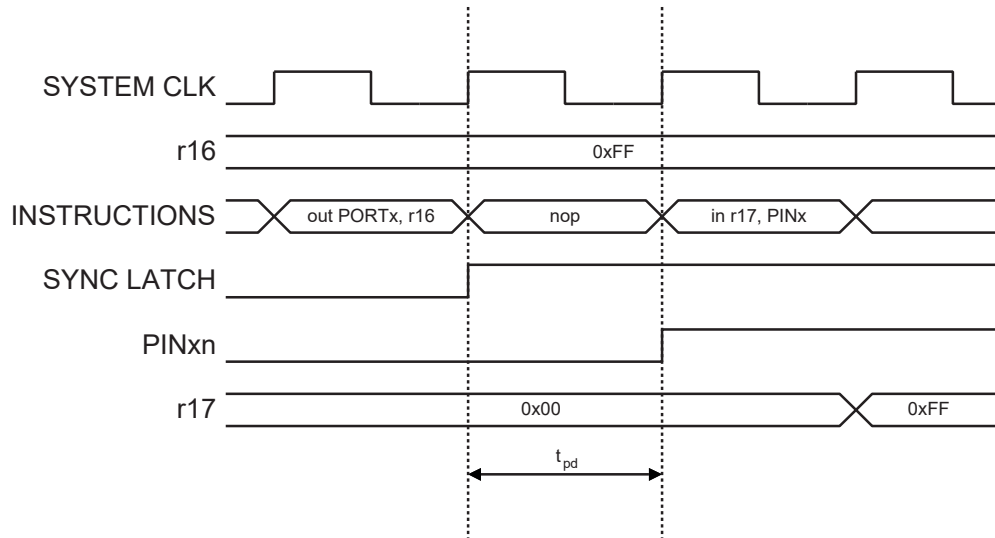


Consider the clock period starting shortly after the first falling edge of the system clock. The latch is closed when the clock is low, and goes transparent when the clock is high, as indicated by the shaded region of the “SYNC LATCH” signal. The signal value is latched when the system clock goes low. It is clocked into the PINxn Register at

the succeeding positive clock edge. As indicated by the two arrows  $t_{pd,max}$  and  $t_{pd,min}$ , a single signal transition on the pin will be delayed between  $\frac{1}{2}$  and  $1\frac{1}{2}$  system clock period depending upon the time of assertion.

When reading back a software assigned pin value, a nop instruction must be inserted as indicated in [Figure 15-4](#). The out instruction sets the “SYNC LATCH” signal at the positive edge of the clock. In this case, the delay  $t_{pd}$  through the synchronizer is 1 system clock period.

**Figure 15-4. Synchronization when Reading a Software Assigned Pin Value**



The following code example shows how to set port B pins 0 and 1 high, 2 and 3 low, and define the port pins from 4 to 7 as input with pull-ups assigned to port pins 6 and 7. The resulting pin values are read back again, but as previously discussed, a nop instruction is included to be able to read back the value recently assigned to some of the pins.

Assembly Code Example<sup>(1)</sup>

```

...
; Define pull-ups and set outputs high
; Define directions for port pins
ldi
r16, (1<<PB7) | (1<<PB6) | (1<<PB1) | (1<<PB0)
ldi
r17, (1<<DDB3) | (1<<DDB2) | (1<<DDB1) | (1<<DDB0)
out          PORTB, r16
out          DDRB, r17
; Insert nop for synchronization
nop
; Read port pins
in           r16, PINB
...

```

## C Code Example

```

unsigned char i;
...
/* Define pull-ups and set outputs high */
/* Define directions for port pins */
PORTB = (1<<PB7) | (1<<PB6) | (1<<PB1) | (1<<PB0);
DDRB = (1<<DDB3) | (1<<DDB2) | (1<<DDB1) | (1<<DDB0);
/* Insert nop for synchronization*/
__no_operation();
/* Read port pins */
i = PINB;
...

```

Note: 1. For the assembly program, two temporary registers are used to minimize the time from pull-ups are set on pins 0, 1, 6, and 7, until the direction bits are correctly set, defining bit 2 and 3 as low and redefining bits 0 and 1 as strong high drivers.

### 15.2.5 Digital Input Enable and Sleep Modes

As shown in [Figure 15-2 on page 83](#), the digital input signal can be clamped to ground at the input of the Schmitt Trigger. The signal denoted SLEEP in the figure, is set by the MCU Sleep Controller in Power-down mode, Power-save mode, and Standby mode to avoid high power consumption if some input signals are left floating, or have an analog signal level close to  $V_{CC}/2$ .

SLEEP is overridden for port pins enabled as external interrupt pins. If the external interrupt request is not enabled, SLEEP is active also for these pins. SLEEP is also overridden by various other alternate functions as described in ["Alternate Port Functions" on page 87](#).

If a logic high level ("one") is present on an asynchronous external interrupt pin configured as "Interrupt on Rising Edge, Falling Edge, or Any Logic Change on Pin" while the external interrupt is *not* enabled, the corresponding External Interrupt Flag will be set when resuming from the above mentioned Sleep mode, as the clamping in these sleep mode produces the requested logic change.

### 15.2.6 Unconnected Pins

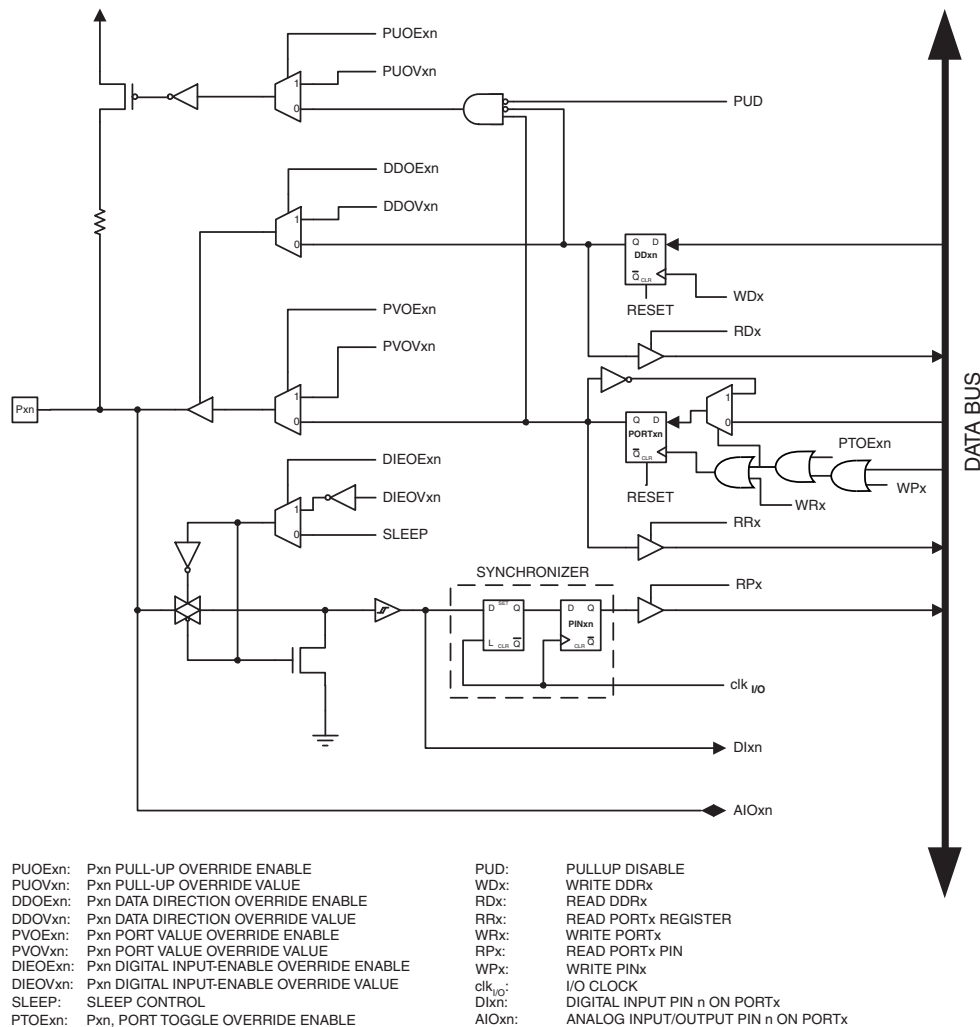
If some pins are unused, it is recommended to ensure that these pins have a defined level. Even though most of the digital inputs are disabled in the deep sleep modes as described above, floating inputs should be avoided to reduce current consumption in all other modes where the digital inputs are enabled (Reset, Active mode and Idle mode).

The simplest method to ensure a defined level of an unused pin, is to enable the internal pull-up. In this case, the pull-up will be disabled during reset. If low power consumption during reset is important, it is recommended to use an external pull-up or pull-down. Connecting unused pins directly to  $V_{CC}$  or GND is not recommended, since this may cause excessive currents if the pin is accidentally configured as an output.

## 15.3 Alternate Port Functions

Most port pins have alternate functions in addition to being general digital I/Os. Figure 15-5 shows how the port pin control signals from the simplified Figure 15-2 on page 83 can be overridden by alternate functions. The overriding signals may not be present in all port pins, but the figure serves as a generic description applicable to all port pins in the AVR microcontroller family.

**Figure 15-5. Alternate Port Functions<sup>(1)</sup>**



Note: 1.  $WR_x$ ,  $WP_x$ ,  $WD_x$ ,  $RR_x$ ,  $RP_x$ , and  $RD_x$  are common to all pins within the same port.  $clk_{IO}$ ,  $SLEEP$ , and  $PUD$  are common to all ports. All other signals are unique for each pin.

Table 15-2 summarizes the function of the overriding signals. The pin and port indexes from Figure 15-5 on page 87 are not shown in the succeeding tables. The overriding signals are generated internally in the modules having the alternate function.

**Table 15-2. Generic Description of Overriding Signals for Alternate Functions**

| Signal Name | Full Name                            | Description  |
|-------------|--------------------------------------|--|
| PUE         | Pull-up Override Enable              | If this signal is set, the pull-up enable is controlled by the PUE signal. If this signal is cleared, the pull-up is enabled when {DDxn, PORTxn, PUD} = 0b010.   |
| PUEV        | Pull-up Override Value               | If PUE is set, the pull-up is enabled/disabled when PUEV is set/cleared, regardless of the setting of the DDxn, PORTxn, and PUD Register bits.   |
| DOE         | Data Direction Override Enable       | If this signal is set, the Output Driver Enable is controlled by the DOE signal. If this signal is cleared, the Output driver is enabled by the DDxn Register bit.   |
| DOEV        | Data Direction Override Value        | If DOE is set, the Output Driver is enabled/disabled when DOEV is set/cleared, regardless of the setting of the DDxn Register bit.   |
| PVE         | Port Value Override Enable           | If this signal is set and the Output Driver is enabled, the port value is controlled by the PVE signal. If PVE is cleared, and the Output Driver is enabled, the port Value is controlled by the PORTxn Register bit.  |
| PVEV        | Port Value Override Value            | If PVE is set, the port value is set to PVEV, regardless of the setting of the PORTxn Register bit.  |
| PTOE        | Port Toggle Override Enable          | If PTOE is set, the PORTxn Register bit is inverted.   |
| DIEOE       | Digital Input Enable Override Enable | If this bit is set, the Digital Input Enable is controlled by the DIEOE signal. If this signal is cleared, the Digital Input Enable is determined by MCU state (Normal mode, sleep mode).  |
| DIEOV       | Digital Input Enable Override Value  | If DIEOE is set, the Digital Input is enabled/disabled when DIEOV is set/cleared, regardless of the MCU state (Normal mode, sleep mode).   |
| DI          | Digital Input                        | This is the Digital Input to alternate functions. In the figure, the signal is connected to the output of the Schmitt Trigger but before the synchronizer. Unless the Digital Input is used as a clock source, the module with the alternate function will use its own synchronizer. |
| AIO         | Analog Input/Output                  | This is the Analog Input/output to/from alternate functions. The signal is connected directly to the pad, and can be used bi-directionally.  |

The following subsections shortly describe the alternate functions for each port, and relate the overriding signals to the alternate function. Refer to the alternate function description for further details.



## 15.3.1 Alternate Functions of Port B

The Port B pins with alternate functions are shown in [Table 15-3](#).

**Table 15-3. Port B Pins Alternate Functions**

| Port Pin | Alternate Functions   |
|----------|---|
| PB7      | XTAL2 (Chip Clock Oscillator pin 2)<br>TOSC2 (Timer Oscillator pin 2)<br>PCINT7 (Pin Change Interrupt 7)                                |
| PB6      | XTAL1 (Chip Clock Oscillator pin 1 or External clock input)<br>TOSC1 (Timer Oscillator pin 1)<br>PCINT6 (Pin Change Interrupt 6)        |
| PB5      | SCK (SPI Bus Master clock Input)<br>PCINT5 (Pin Change Interrupt 5)   |
| PB4      | MISO (SPI Bus Master Input/Slave Output)<br>PCINT4 (Pin Change Interrupt 4)   |
| PB3      | MOSI (SPI Bus Master Output/Slave Input)<br>OC2A (Timer/Counter2 Output Compare Match A Output)<br>PCINT3 (Pin Change Interrupt 3)      |
| PB2      | $\overline{SS}$ (SPI Bus Master Slave select)<br>OC1B (Timer/Counter1 Output Compare Match B Output)<br>PCINT2 (Pin Change Interrupt 2) |
| PB1      | OC1A (Timer/Counter1 Output Compare Match A Output)<br>PCINT1 (Pin Change Interrupt 1)  |
| PB0      | ICP1 (Timer/Counter1 Input Capture Input)<br>CLKO (Divided System Clock Output)<br>PCINT0 (Pin Change Interrupt 0)                      |

The alternate pin configuration is as follows:

- **XTAL2/TOSC2/PCINT7 – Port B, Bit 7**

XTAL2: Chip clock Oscillator pin 2. Used as clock pin for crystal Oscillator or Low-frequency crystal Oscillator. When used as a clock pin, the pin can not be used as an I/O pin.

TOSC2: Timer Oscillator pin 2. Used only if internal calibrated RC Oscillator is selected as chip clock source, and the asynchronous timer is enabled by the correct setting in ASSR. When the AS2 bit in ASSR is set (one) and the EXCLK bit is cleared (zero) to enable asynchronous clocking of Timer/Counter2 using the Crystal Oscillator, pin PB7 is disconnected from the port, and becomes the inverting output of the Oscillator amplifier. In this mode, a crystal Oscillator is connected to this pin, and the pin cannot be used as an I/O pin.

PCINT7: Pin Change Interrupt source 7. The PB7 pin can serve as an external interrupt source.

If PB7 is used as a clock pin, DDB7, PORTB7 and PINB7 will all read 0.

- **XTAL1/TOSC1/PCINT6 – Port B, Bit 6**

XTAL1: Chip clock Oscillator pin 1. Used for all chip clock sources except internal calibrated RC Oscillator. When used as a clock pin, the pin can not be used as an I/O pin.

TOSC1: Timer Oscillator pin 1. Used only if internal calibrated RC Oscillator is selected as chip clock source, and the asynchronous timer is enabled by the correct setting in ASSR. When the AS2 bit in ASSR is set (one) to enable asynchronous clocking of Timer/Counter2, pin PB6 is disconnected from the port, and becomes the input of the

inverting Oscillator amplifier. In this mode, a crystal Oscillator is connected to this pin, and the pin can not be used as an I/O pin.

PCINT6: Pin Change Interrupt source 6. The PB6 pin can serve as an external interrupt source.

If PB6 is used as a clock pin, DDB6, PORTB6 and PINB6 will all read 0.

- **SCK/PCINT5 – Port B, Bit 5**

SCK: Master Clock output, Slave Clock input pin for SPI channel. When the SPI is enabled as a Slave, this pin is configured as an input regardless of the setting of DDB5. When the SPI is enabled as a Master, the data direction of this pin is controlled by DDB5. When the pin is forced by the SPI to be an input, the pull-up can still be controlled by the PORTB5 bit.

PCINT5: Pin Change Interrupt source 5. The PB5 pin can serve as an external interrupt source.

- **MISO/PCINT4 – Port B, Bit 4**

MISO: Master Data input, Slave Data output pin for SPI channel. When the SPI is enabled as a Master, this pin is configured as an input regardless of the setting of DDB4. When the SPI is enabled as a Slave, the data direction of this pin is controlled by DDB4. When the pin is forced by the SPI to be an input, the pull-up can still be controlled by the PORTB4 bit.

PCINT4: Pin Change Interrupt source 4. The PB4 pin can serve as an external interrupt source.

- **MOSI/OC2/PCINT3 – Port B, Bit 3**

MOSI: SPI Master Data output, Slave Data input for SPI channel. When the SPI is enabled as a Slave, this pin is configured as an input regardless of the setting of DDB3. When the SPI is enabled as a Master, the data direction of this pin is controlled by DDB3. When the pin is forced by the SPI to be an input, the pull-up can still be controlled by the PORTB3 bit.

OC2, Output Compare Match Output: The PB3 pin can serve as an external output for the Timer/Counter2 Compare Match. The PB3 pin has to be configured as an output (DDB3 set (one)) to serve this function. The OC2 pin is also the output pin for the PWM mode timer function.

PCINT3: Pin Change Interrupt source 3. The PB3 pin can serve as an external interrupt source.

- **$\overline{SS}$ /OC1B/PCINT2 – Port B, Bit 2**

$\overline{SS}$ : Slave Select input. When the SPI is enabled as a Slave, this pin is configured as an input regardless of the setting of DDB2. As a Slave, the SPI is activated when this pin is driven low. When the SPI is enabled as a Master, the data direction of this pin is controlled by DDB2. When the pin is forced by the SPI to be an input, the pull-up can still be controlled by the PORTB2 bit.

OC1B, Output Compare Match output: The PB2 pin can serve as an external output for the Timer/Counter1 Compare Match B. The PB2 pin has to be configured as an output (DDB2 set (one)) to serve this function. The OC1B pin is also the output pin for the PWM mode timer function.

PCINT2: Pin Change Interrupt source 2. The PB2 pin can serve as an external interrupt source.

- **OC1A/PCINT1 – Port B, Bit 1**

OC1A, Output Compare Match output: The PB1 pin can serve as an external output for the Timer/Counter1 Compare Match A. The PB1 pin has to be configured as an output (DDB1 set (one)) to serve this function. The OC1A pin is also the output pin for the PWM mode timer function.

PCINT1: Pin Change Interrupt source 1. The PB1 pin can serve as an external interrupt source.

- **ICP1/CLKO/PCINT0 – Port B, Bit 0**

ICP1, Input Capture Pin: The PB0 pin can act as an Input Capture Pin for Timer/Counter1.

CLKO, Divided System Clock: The divided system clock can be output on the PB0 pin. The divided system clock will be output if the CKOUT Fuse is programmed, regardless of the PORTB0 and DDB0 settings. It will also be output during reset.

PCINT0: Pin Change Interrupt source 0. The PB0 pin can serve as an external interrupt source.

Table 15-4 and Table 15-5 on page 91 relate the alternate functions of Port B to the overriding signals shown in Figure 15-5 on page 87. SPI MSTR INPUT and SPI SLAVE OUTPUT constitute the MISO signal, while MOSI is divided into SPI MSTR OUTPUT and SPI SLAVE INPUT.

**Table 15-4. Overriding Signals for Alternate Functions in PB7...PB4**

| Signal Name | PB7/XTAL2/<br>TOSC2/PCINT7 <sup>(1)</sup>   | PB6/XTAL1/<br>TOSC1/PCINT6 <sup>(1)</sup>                                 | PB5/SCK/<br>PCINT5                          | PB4/MISO/<br>PCINT4                         |
|-------------|---|---|---|---|
| PUOE        | $\overline{\text{INTRC}} \cdot \overline{\text{EXTCK}} + \text{AS2}$                                    | $\overline{\text{INTRC}} + \text{AS2}$                                    | $\text{SPE} \cdot \overline{\text{MSTR}}$   | $\text{SPE} \cdot \text{MSTR}$              |
| PUOV        | 0   | 0   | $\text{PORTB5} \cdot \overline{\text{PUD}}$ | $\text{PORTB4} \cdot \overline{\text{PUD}}$ |
| DDOE        | $\overline{\text{INTRC}} \cdot \overline{\text{EXTCK}} + \text{AS2}$                                    | $\overline{\text{INTRC}} + \text{AS2}$                                    | $\text{SPE} \cdot \overline{\text{MSTR}}$   | $\text{SPE} \cdot \text{MSTR}$              |
| DDOV        | 0   | 0   | 0   | 0   |
| PVOE        | 0   | 0   | $\text{SPE} \cdot \text{MSTR}$              | $\text{SPE} \cdot \overline{\text{MSTR}}$   |
| PVOV        | 0   | 0   | SCK OUTPUT                                  | SPI SLAVE OUTPUT                            |
| DIEOE       | $\overline{\text{INTRC}} \cdot \overline{\text{EXTCK}} + \text{AS2} + \text{PCINT7} \cdot \text{PCIE0}$ | $\overline{\text{INTRC}} + \text{AS2} + \text{PCINT6} \cdot \text{PCIE0}$ | $\text{PCINT5} \cdot \text{PCIE0}$          | $\text{PCINT4} \cdot \text{PCIE0}$          |
| DIEOV       | $(\text{INTRC} + \text{EXTCK}) \cdot \overline{\text{AS2}}$   | $\text{INTRC} \cdot \overline{\text{AS2}}$                                | 1   | 1   |
| DI          | PCINT7 INPUT  | PCINT6 INPUT  | PCINT5 INPUT<br>SCK INPUT                   | PCINT4 INPUT<br>SPI MSTR INPUT              |
| AIO         | Oscillator Output   | Oscillator/Clock Input  | –   | –   |

Notes: 1. INTRC means that one of the internal RC Oscillators are selected (by the CKSEL fuses), EXTCK means that external clock is selected (by the CKSEL fuses).

**Table 15-5. Overriding Signals for Alternate Functions in PB3...PB0**

| Signal Name | PB3/MOSI/<br>OC2/PCINT3                             | PB2/SS/<br>OC1B/PCINT2                      | PB1/OC1A/<br>PCINT1                | PB0/ICP1/<br>PCINT0                |
|-------------|---|---|------------------------------------|------------------------------------|
| PUOE        | $\text{SPE} \cdot \overline{\text{MSTR}}$           | $\text{SPE} \cdot \overline{\text{MSTR}}$   | 0                                  | 0                                  |
| PUOV        | $\text{PORTB3} \cdot \overline{\text{PUD}}$         | $\text{PORTB2} \cdot \overline{\text{PUD}}$ | 0                                  | 0                                  |
| DDOE        | $\text{SPE} \cdot \overline{\text{MSTR}}$           | $\text{SPE} \cdot \overline{\text{MSTR}}$   | 0                                  | 0                                  |
| DDOV        | 0   | 0   | 0                                  | 0                                  |
| PVOE        | $\text{SPE} \cdot \text{MSTR} + \text{OC2A ENABLE}$ | OC1B ENABLE                                 | OC1A ENABLE                        | 0                                  |
| PVOV        | SPI MSTR OUTPUT + OC2A                              | OC1B  | OC1A                               | 0                                  |
| DIEOE       | $\text{PCINT3} \cdot \text{PCIE0}$                  | $\text{PCINT2} \cdot \text{PCIE0}$          | $\text{PCINT1} \cdot \text{PCIE0}$ | $\text{PCINT0} \cdot \text{PCIE0}$ |
| DIEOV       | 1   | 1   | 1                                  | 1                                  |
| DI          | PCINT3 INPUT<br>SPI SLAVE INPUT                     | PCINT2 INPUT<br>SPI SS                      | PCINT1 INPUT                       | PCINT0 INPUT<br>ICP1 INPUT         |
| AIO         | –   | –   | –                                  | –                                  |

## 15.3.2 Alternate Functions of Port C

The Port C pins with alternate functions are shown in [Table 15-6](#).

**Table 15-6. Port C Pins Alternate Functions**

| Port Pin | Alternate Function  |
|----------|---|
| PC6      | $\overline{\text{RESET}}$ (Reset pin)<br>PCINT14 (Pin Change Interrupt 14)  |
| PC5      | ADC5 (ADC Input Channel 5)<br>SCL (2-wire Serial Bus Clock Line)<br>PCINT13 (Pin Change Interrupt 13)             |
| PC4      | ADC4 (ADC Input Channel 4)<br>SDA (2-wire Serial Bus Data Input/Output Line)<br>PCINT12 (Pin Change Interrupt 12) |
| PC3      | ADC3 (ADC Input Channel 3)<br>PCINT11 (Pin Change Interrupt 11)   |
| PC2      | ADC2 (ADC Input Channel 2)<br>PCINT10 (Pin Change Interrupt 10)   |
| PC1      | ADC1 (ADC Input Channel 1)<br>PCINT9 (Pin Change Interrupt 9)   |
| PC0      | ADC0 (ADC Input Channel 0)<br>PCINT8 (Pin Change Interrupt 8)   |

The alternate pin configuration is as follows:

- **$\overline{\text{RESET}}$ /PCINT14 – Port C, Bit 6**

$\overline{\text{RESET}}$ , Reset pin: When the RSTDISBL Fuse is programmed, this pin functions as a normal I/O pin, and the part will have to rely on Power-on Reset and Brown-out Reset as its reset sources. When the RSTDISBL Fuse is unprogrammed, the reset circuitry is connected to the pin, and the pin can not be used as an I/O pin.

If PC6 is used as a reset pin, DDC6, PORTC6 and PINC6 will all read 0.

PCINT14: Pin Change Interrupt source 14. The PC6 pin can serve as an external interrupt source.

- **SCL/ADC5/PCINT13 – Port C, Bit 5**

SCL, 2-wire Serial Interface Clock: When the TWEN bit in TWCR is set (one) to enable the 2-wire Serial Interface, pin PC5 is disconnected from the port and becomes the Serial Clock I/O pin for the 2-wire Serial Interface. In this mode, there is a spike filter on the pin to suppress spikes shorter than 50 ns on the input signal, and the pin is driven by an open drain driver with slew-rate limitation.

PC5 can also be used as ADC input Channel 5. Note that ADC input channel 5 uses digital power.

PCINT13: Pin Change Interrupt source 13. The PC5 pin can serve as an external interrupt source.

- **SDA/ADC4/PCINT12 – Port C, Bit 4**

SDA, 2-wire Serial Interface Data: When the TWEN bit in TWCR is set (one) to enable the 2-wire Serial Interface, pin PC4 is disconnected from the port and becomes the Serial Data I/O pin for the 2-wire Serial Interface. In this mode, there is a spike filter on the pin to suppress spikes shorter than 50 ns on the input signal, and the pin is driven by an open drain driver with slew-rate limitation.

PC4 can also be used as ADC input Channel 4. Note that ADC input channel 4 uses digital power.

PCINT12: Pin Change Interrupt source 12. The PC4 pin can serve as an external interrupt source.

- **ADC3/PCINT11 – Port C, Bit 3**

PC3 can also be used as ADC input Channel 3. Note that ADC input channel 3 uses analog power.

PCINT11: Pin Change Interrupt source 11. The PC3 pin can serve as an external interrupt source.

- **ADC2/PCINT10 – Port C, Bit 2**

PC2 can also be used as ADC input Channel 2. Note that ADC input channel 2 uses analog power.

PCINT10: Pin Change Interrupt source 10. The PC2 pin can serve as an external interrupt source.

- **ADC1/PCINT9 – Port C, Bit 1**

PC1 can also be used as ADC input Channel 1. Note that ADC input channel 1 uses analog power.

PCINT9: Pin Change Interrupt source 9. The PC1 pin can serve as an external interrupt source.

- **ADC0/PCINT8 – Port C, Bit 0**

PC0 can also be used as ADC input Channel 0. Note that ADC input channel 0 uses analog power.

PCINT8: Pin Change Interrupt source 8. The PC0 pin can serve as an external interrupt source.

[Table 15-7](#) and [Table 15-8 on page 94](#) relate the alternate functions of Port C to the overriding signals shown in [Figure 15-5 on page 87](#).

**Table 15-7. Overriding Signals for Alternate Functions in PC6...PC4<sup>(1)</sup>**

| Signal Name | PC6/RESET/PCINT14          | PC5/SCL/ADC5/PCINT13             | PC4/SDA/ADC4/PCINT12             |
|-------------|----------------------------|----------------------------------|----------------------------------|
| PUOE        | RSTDISBL                   | TWEN                             | TWEN                             |
| PUOV        | 1                          | PORTC5 • $\overline{\text{PUD}}$ | PORTC4 • $\overline{\text{PUD}}$ |
| DDOE        | RSTDISBL                   | TWEN                             | TWEN                             |
| DDOV        | 0                          | SCL_OUT                          | SDA_OUT                          |
| PVOE        | 0                          | TWEN                             | TWEN                             |
| PVOV        | 0                          | 0                                | 0                                |
| DIEOE       | RSTDISBL + PCINT14 • PCIE1 | PCINT13 • PCIE1 + ADC5D          | PCINT12 • PCIE1 + ADC4D          |
| DIEOV       | RSTDISBL                   | PCINT13 • PCIE1                  | PCINT12 • PCIE1                  |
| DI          | PCINT14 INPUT              | PCINT13 INPUT                    | PCINT12 INPUT                    |
| AIO         | RESET INPUT                | ADC5 INPUT / SCL INPUT           | ADC4 INPUT / SDA INPUT           |

Note: 1. When enabled, the 2-wire Serial Interface enables slew-rate controls on the output pins PC4 and PC5. This is not shown in the figure. In addition, spike filters are connected between the AIO outputs shown in the port figure and the digital logic of the TWI module.

**Table 15-8. Overriding Signals for Alternate Functions in PC3...PC0**

| Signal Name | PC3/ADC3/<br>PCINT11       | PC2/ADC2/<br>PCINT10       | PC1/ADC1/<br>PCINT9       | PC0/ADC0/<br>PCINT8       |
|-------------|----------------------------|----------------------------|---------------------------|---------------------------|
| PUEOE       | 0                          | 0                          | 0                         | 0                         |
| PUEOV       | 0                          | 0                          | 0                         | 0                         |
| DDEOE       | 0                          | 0                          | 0                         | 0                         |
| DDEOV       | 0                          | 0                          | 0                         | 0                         |
| PVEOE       | 0                          | 0                          | 0                         | 0                         |
| PVEOV       | 0                          | 0                          | 0                         | 0                         |
| DIEOE       | PCINT11 • PCIE1 +<br>ADC3D | PCINT10 • PCIE1 +<br>ADC2D | PCINT9 • PCIE1 +<br>ADC1D | PCINT8 • PCIE1 +<br>ADC0D |
| DIEOV       | PCINT11 • PCIE1            | PCINT10 • PCIE1            | PCINT9 • PCIE1            | PCINT8 • PCIE1            |
| DI          | PCINT11 INPUT              | PCINT10 INPUT              | PCINT9 INPUT              | PCINT8 INPUT              |
| AIO         | ADC3 INPUT                 | ADC2 INPUT                 | ADC1 INPUT                | ADC0 INPUT                |

### 15.3.3 Alternate Functions of Port D

The Port D pins with alternate functions are shown in [Table 15-9](#).

**Table 15-9. Port D Pins Alternate Functions**

| Port Pin | Alternate Function  |
|----------|---|
| PD7      | AIN1 (Analog Comparator Negative Input)<br>PCINT23 (Pin Change Interrupt 23)  |
| PD6      | AIN0 (Analog Comparator Positive Input)<br>OC0A (Timer/Counter0 Output Compare Match A Output)<br>PCINT22 (Pin Change Interrupt 22)     |
| PD5      | T1 (Timer/Counter 1 External Counter Input)<br>OC0B (Timer/Counter0 Output Compare Match B Output)<br>PCINT21 (Pin Change Interrupt 21) |
| PD4      | XCK (USART External Clock Input/Output)<br>T0 (Timer/Counter 0 External Counter Input)<br>PCINT20 (Pin Change Interrupt 20)             |
| PD3      | INT1 (External Interrupt 1 Input)<br>OC2B (Timer/Counter2 Output Compare Match B Output)<br>PCINT19 (Pin Change Interrupt 19)           |
| PD2      | INT0 (External Interrupt 0 Input)<br>PCINT18 (Pin Change Interrupt 18)  |
| PD1      | TXD (USART Output Pin)<br>PCINT17 (Pin Change Interrupt 17)   |
| PD0      | RXD (USART Input Pin)<br>PCINT16 (Pin Change Interrupt 16)  |

The alternate pin configuration is as follows:

- **AIN1/OC2B/PCINT23 – Port D, Bit 7**

AIN1, Analog Comparator Negative Input. Configure the port pin as input with the internal pull-up switched off to avoid the digital port function from interfering with the function of the Analog Comparator.

PCINT23: Pin Change Interrupt source 23. The PD7 pin can serve as an external interrupt source.

- **AIN0/OC0A/PCINT22 – Port D, Bit 6**

AIN0, Analog Comparator Positive Input. Configure the port pin as input with the internal pull-up switched off to avoid the digital port function from interfering with the function of the Analog Comparator.

OC0A, Output Compare Match output: The PD6 pin can serve as an external output for the Timer/Counter0 Compare Match A. The PD6 pin has to be configured as an output (DDD6 set (one)) to serve this function. The OC0A pin is also the output pin for the PWM mode timer function.

PCINT22: Pin Change Interrupt source 22. The PD6 pin can serve as an external interrupt source.

- **T1/OC0B/PCINT21 – Port D, Bit 5**

T1, Timer/Counter1 counter source.

OC0B, Output Compare Match output: The PD5 pin can serve as an external output for the Timer/Counter0 Compare Match B. The PD5 pin has to be configured as an output (DDD5 set (one)) to serve this function. The OC0B pin is also the output pin for the PWM mode timer function.

PCINT21: Pin Change Interrupt source 21. The PD5 pin can serve as an external interrupt source.

- **XCK/T0/PCINT20 – Port D, Bit 4**

XCK, USART external clock.

T0, Timer/Counter0 counter source.

PCINT20: Pin Change Interrupt source 20. The PD4 pin can serve as an external interrupt source.

- **INT1/OC2B/PCINT19 – Port D, Bit 3**

INT1, External Interrupt source 1: The PD3 pin can serve as an external interrupt source.

OC2B, Output Compare Match output: The PD3 pin can serve as an external output for the Timer/Counter0 Compare Match B. The PD3 pin has to be configured as an output (DDD3 set (one)) to serve this function. The OC2B pin is also the output pin for the PWM mode timer function.

PCINT19: Pin Change Interrupt source 19. The PD3 pin can serve as an external interrupt source.

- **INT0/PCINT18 – Port D, Bit 2**

INT0, External Interrupt source 0: The PD2 pin can serve as an external interrupt source.

PCINT18: Pin Change Interrupt source 18. The PD2 pin can serve as an external interrupt source.

- **TXD/PCINT17 – Port D, Bit 1**

TXD, Transmit Data (Data output pin for the USART). When the USART Transmitter is enabled, this pin is configured as an output regardless of the value of DDD1.

PCINT17: Pin Change Interrupt source 17. The PD1 pin can serve as an external interrupt source.

• **RXD/PCINT16 – Port D, Bit 0**

RXD, Receive Data (Data input pin for the USART). When the USART Receiver is enabled this pin is configured as an input regardless of the value of DDD0. When the USART forces this pin to be an input, the pull-up can still be controlled by the PORTD0 bit.

PCINT16: Pin Change Interrupt source 16. The PD0 pin can serve as an external interrupt source.

Table 15-10 and Table 15-11 relate the alternate functions of Port D to the overriding signals shown in Figure 15-5 on page 87.

**Table 15-10. Overriding Signals for Alternate Functions PD7...PD4**

| Signal Name | PD7/AIN1 /PCINT23 | PD6/AIN0/ OC0A/PCINT22 | PD5/T1/OC0B/ PCINT21      | PD4/XCK/ T0/PCINT20                    |
|-------------|-------------------|------------------------|---------------------------|--|
| PUOE        | 0                 | 0                      | 0                         | 0                                      |
| PUO         | 0                 | 0                      | 0                         | 0                                      |
| DDOE        | 0                 | 0                      | 0                         | 0                                      |
| DDOV        | 0                 | 0                      | 0                         | 0                                      |
| PVOE        | 0                 | OC0A ENABLE            | OC0B ENABLE               | UMSEL                                  |
| PVOV        | 0                 | OC0A                   | OC0B                      | XCK OUTPUT                             |
| DIEOE       | PCINT23 • PCIE2   | PCINT22 • PCIE2        | PCINT21 • PCIE2           | PCINT20 • PCIE2                        |
| DIEOV       | 1                 | 1                      | 1                         | 1                                      |
| DI          | PCINT23 INPUT     | PCINT22 INPUT          | PCINT21 INPUT<br>T1 INPUT | PCINT20 INPUT<br>XCK INPUT<br>T0 INPUT |
| AIO         | AIN1 INPUT        | AIN0 INPUT             | –                         | –                                      |

**Table 15-11. Overriding Signals for Alternate Functions in PD3...PD0**

| Signal Name | PD3/OC2B/INT1/ PCINT19        | PD2/INT0/ PCINT18             | PD1/TXD/ PCINT17 | PD0/RXD/ PCINT16                 |
|-------------|-------------------------------|-------------------------------|------------------|----------------------------------|
| PUOE        | 0                             | 0                             | TXEN             | RXEN                             |
| PUO         | 0                             | 0                             | 0                | PORTD0 • $\overline{\text{PUD}}$ |
| DDOE        | 0                             | 0                             | TXEN             | RXEN                             |
| DDOV        | 0                             | 0                             | 1                | 0                                |
| PVOE        | OC2B ENABLE                   | 0                             | TXEN             | 0                                |
| PVOV        | OC2B                          | 0                             | TXD              | 0                                |
| DIEOE       | INT1 ENABLE + PCINT19 • PCIE2 | INT0 ENABLE + PCINT18 • PCIE1 | PCINT17 • PCIE2  | PCINT16 • PCIE2                  |
| DIEOV       | 1                             | 1                             | 1                | 1                                |
| DI          | PCINT19 INPUT<br>INT1 INPUT   | PCINT18 INPUT<br>INT0 INPUT   | PCINT17 INPUT    | PCINT16 INPUT<br>RXD             |
| AIO         | –                             | –                             | –                | –                                |

### 15.3.4 Alternate Functions of Port E

The Port E pins with alternate functions are shown in Table 15-12.



**Table 15-12. Port E Pins Alternate Functions**

| Port Pin | Alternate Function         |
|----------|----------------------------|
| PE3      | ADC7 (ADC Input Channel 7) |
| PE2      | ADC6 (ADC Input Channel 6) |
| PE1      | NONE                       |
| PE0      | ACO (AC Output Channel 0)  |

The alternate pin configuration is as follows:

- **ADC7 – Port E, Bit 3**

PE3 can also be used as ADC input Channel 7.

- **ADC6 – Port E, Bit 2**

PE2 can also be used as ADC input Channel 6.

- **Port E, Bit 1**

No alternate function.

- **ACO – Port E, Bit 0**

PE0 can also be used as Analog Comparator output.

[Table 15-13 on page 97](#) relate the alternate functions of Port E to the overriding signals shown in [Figure 15-5 on page 87](#).

**Table 15-13. Overriding Signals for Alternate Functions in PE3...PE0**

| Signal Name | PE3/ADC7   | PE2/ADC6   | PE1 | PE0/ACO   |
|-------------|------------|------------|-----|-----------|
| PUOE        | 0          | 0          | 0   | aco_oe    |
| PUOV        | 0          | 0          | 0   | 0         |
| DDOE        | 0          | 0          | 0   | aco_oe    |
| PVOE        | 0          | 0          | 0   | aco_oe    |
| PVOV        | 0          | 0          | 0   | acomput   |
| DIEOE       | ADC7D      | ADC6D      | 0   | 0         |
| DIEOV       | 0          | 0          | 0   | 0         |
| DI          | 0          | 0          | 0   | 0         |
| AIO         | ADC7 INPUT | ADC6 INPUT | 0   | AC OUTPUT |

## 15.4 Register Description

### 15.4.1 MCUCR – MCU Control Register

| Bit           | 7 | 6           | 5            | 4          | 3 | 2 | 1            | 0           |              |
|---------------|---|-------------|--------------|------------|---|---|--------------|-------------|--------------|
| 0x35 (0x55)   | – | <b>BODS</b> | <b>BODSE</b> | <b>PUD</b> | – | – | <b>IVSEL</b> | <b>IVCE</b> | <b>MCUCR</b> |
| Read/Write    | R | R/W         | R/W          | R/W        | R | R | R/W          | R/W         |              |
| Initial Value | 0 | 0           | 0            | 0          | 0 | 0 | 0            | 0           |              |

- **Bit 4 – PUD: Pull-up Disable**

When this bit is written to one, the pull-ups in the I/O ports are disabled even if the DDxn and PORTxn Registers are configured to enable the pull-ups ({DDxn, PORTxn} = 0b01). See ["Configuring the Pin" on page 83](#) for more details about this feature.

### 15.4.2 PORTB – The Port B Data Register

| Bit           | 7             | 6             | 5             | 4             | 3             | 2             | 1             | 0             |              |
|---------------|---------------|---------------|---------------|---------------|---------------|---------------|---------------|---------------|--------------|
| 0x05 (0x24)   | <b>PORTB7</b> | <b>PORTB6</b> | <b>PORTB5</b> | <b>PORTB4</b> | <b>PORTB3</b> | <b>PORTB2</b> | <b>PORTB1</b> | <b>PORTB0</b> | <b>PORTB</b> |
| Read/Write    | R/W           | R/W           | R/W           | R/W           | R/W           | R/W           | R/W           | R/W           |              |
| Initial Value | 0             | 0             | 0             | 0             | 0             | 0             | 0             | 0             |              |

### 15.4.3 DDRB – The Port B Data Direction Register

| Bit           | 7           | 6           | 5           | 4           | 3           | 2           | 1           | 0           |             |
|---------------|-------------|-------------|-------------|-------------|-------------|-------------|-------------|-------------|-------------|
| 0x04 (0x24)   | <b>DDB7</b> | <b>DDB6</b> | <b>DDB5</b> | <b>DDB4</b> | <b>DDB3</b> | <b>DDB2</b> | <b>DDB1</b> | <b>DDB0</b> | <b>DDRB</b> |
| Read/Write    | R/W         | R/W         | R/W         | R/W         | R/W         | R/W         | R/W         | R/W         |             |
| Initial Value | 0           | 0           | 0           | 0           | 0           | 0           | 0           | 0           |             |

### 15.4.4 PINB – The Port B Input Pins Address<sup>(1)</sup>

| Bit           | 7            | 6            | 5            | 4            | 3            | 2            | 1            | 0            |             |
|---------------|--------------|--------------|--------------|--------------|--------------|--------------|--------------|--------------|-------------|
| 0x03 (0x23)   | <b>PINB7</b> | <b>PINB6</b> | <b>PINB5</b> | <b>PINB4</b> | <b>PINB3</b> | <b>PINB2</b> | <b>PINB1</b> | <b>PINB0</b> | <b>PINB</b> |
| Read/Write    | R/W          | R/W          | R/W          | R/W          | R/W          | R/W          | R/W          | R/W          |             |
| Initial Value | N/A          | N/A          | N/A          | N/A          | N/A          | N/A          | N/A          | N/A          |             |

### 15.4.5 PORTC – The Port C Data Register

| Bit           | 7 | 6             | 5             | 4             | 3             | 2             | 1             | 0             |              |
|---------------|---|---------------|---------------|---------------|---------------|---------------|---------------|---------------|--------------|
| 0x08 (0x28)   | – | <b>PORTC6</b> | <b>PORTC5</b> | <b>PORTC4</b> | <b>PORTC3</b> | <b>PORTC2</b> | <b>PORTC1</b> | <b>PORTC0</b> | <b>PORTC</b> |
| Read/Write    | R | R/W           | R/W           | R/W           | R/W           | R/W           | R/W           | R/W           |              |
| Initial Value | 0 | 0             | 0             | 0             | 0             | 0             | 0             | 0             |              |

### 15.4.6 DDRC – The Port C Data Direction Register

| Bit           | 7 | 6           | 5           | 4           | 3           | 2           | 1           | 0           |             |
|---------------|---|-------------|-------------|-------------|-------------|-------------|-------------|-------------|-------------|
| 0x07 (0x27)   | – | <b>DDC6</b> | <b>DDC5</b> | <b>DDC4</b> | <b>DDC3</b> | <b>DDC2</b> | <b>DDC1</b> | <b>DDC0</b> | <b>DDRC</b> |
| Read/Write    | R | R/W         | R/W         | R/W         | R/W         | R/W         | R/W         | R/W         |             |
| Initial Value | 0 | 0           | 0           | 0           | 0           | 0           | 0           | 0           |             |

## 15.4.7 PINC – The Port C Input Pins Address<sup>(1)</sup>

| Bit           | 7 | 6     | 5     | 4     | 3     | 2     | 1     | 0     |      |
|---------------|---|-------|-------|-------|-------|-------|-------|-------|------|
| 0x06 (0x26)   | – | PINC6 | PINC5 | PINC4 | PINC3 | PINC2 | PINC1 | PINC0 | PINC |
| Read/Write    | R | R/W   | R/W   | R/W   | R/W   | R/W   | R/W   | R/W   |      |
| Initial Value | 0 | N/A   | N/A   | N/A   | N/A   | N/A   | N/A   | N/A   |      |

## 15.4.8 PORTD – The Port D Data Register

| Bit           | 7      | 6      | 5      | 4      | 3      | 2      | 1      | 0      |       |
|---------------|--------|--------|--------|--------|--------|--------|--------|--------|-------|
| 0x0B (0x2B)   | PORTD7 | PORTD6 | PORTD5 | PORTD4 | PORTD3 | PORTD2 | PORTD1 | PORTD0 | PORTD |
| Read/Write    | R/W    | R/W    | R/W    | R/W    | R/W    | R/W    | R/W    | R/W    |       |
| Initial Value | 0      | 0      | 0      | 0      | 0      | 0      | 0      | 0      |       |

## 15.4.9 DDRD – The Port D Data Direction Register

| Bit           | 7    | 6    | 5    | 4    | 3    | 2    | 1    | 0    |      |
|---------------|------|------|------|------|------|------|------|------|------|
| 0x0A (0x2A)   | DDD7 | DDD6 | DDD5 | DDD4 | DDD3 | DDD2 | DDD1 | DDD0 | DDRD |
| Read/Write    | R/W  | R/W  | R/W  | R/W  | R/W  | R/W  | R/W  | R/W  |      |
| Initial Value | 0    | 0    | 0    | 0    | 0    | 0    | 0    | 0    |      |

## 15.4.10 PIND – The Port D Input Pins Address<sup>(1)</sup>

| Bit           | 7     | 6     | 5     | 4     | 3     | 2     | 1     | 0     |      |
|---------------|-------|-------|-------|-------|-------|-------|-------|-------|------|
| 0x09 (0x29)   | PIND7 | PIND6 | PIND5 | PIND4 | PIND3 | PIND2 | PIND1 | PIND0 | PIND |
| Read/Write    | R/W   | R/W   | R/W   | R/W   | R/W   | R/W   | R/W   | R/W   |      |
| Initial Value | N/A   | N/A   | N/A   | N/A   | N/A   | N/A   | N/A   | N/A   |      |

## 15.4.11 PORTE – The Port E Data Register

| Bit           | 7   | 6   | 5   | 4   | 3      | 2      | 1      | 0      |       |
|---------------|-----|-----|-----|-----|--------|--------|--------|--------|-------|
| 0x0E (0x2E)   | –   | –   | –   | –   | PORTE3 | PORTE2 | PORTE1 | PORTE0 | PORTE |
| Read/Write    | R/W | R/W | R/W | R/W | R/W    | R/W    | R/W    | R/W    |       |
| Initial Value | 0   | 0   | 0   | 0   | 0      | 0      | 0      | 0      |       |

## 15.4.12 DDRE – The Port E Data Direction Register

| Bit           | 7   | 6   | 5   | 4   | 3     | 2     | 1     | 0     |      |
|---------------|-----|-----|-----|-----|-------|-------|-------|-------|------|
| 0x0D (0x2D)   | –   | –   | –   | –   | DDRE3 | DDRE2 | DDRE1 | DDRE0 | DDRE |
| Read/Write    | R/W | R/W | R/W | R/W | R/W   | R/W   | R/W   | R/W   |      |
| Initial Value | 0   | 0   | 0   | 0   | 0     | 0     | 0     | 0     |      |

## 15.4.13 PINE – The Port E Input Pins Address<sup>(1)</sup>

| Bit           | 7   | 6   | 5   | 4   | 3     | 2     | 1     | 0     |      |
|---------------|-----|-----|-----|-----|-------|-------|-------|-------|------|
| 0x0C (0x2C)   | –   | –   | –   | –   | PINE3 | PINE2 | PINE1 | PINE0 | PINE |
| Read/Write    | R/W | R/W | R/W | R/W | R/W   | R/W   | R/W   | R/W   |      |
| Initial Value | N/A | N/A | N/A | N/A | N/A   | N/A   | N/A   | N/A   |      |

Note: 1. Writing to the pin register provides toggle functionality for IO (see ["Toggling the Pin" on page 83](#)).

## 16. 8-bit Timer/Counter0 with PWM

### 16.1 Features

- Two Independent Output Compare Units
- Double Buffered Output Compare Registers
- Clear Timer on Compare Match (Auto Reload)
- Glitch Free, Phase Correct Pulse Width Modulator (PWM)
- Variable PWM Period
- Frequency Generator
- Three Independent Interrupt Sources (TOV0, OCF0A, and OCF0B)

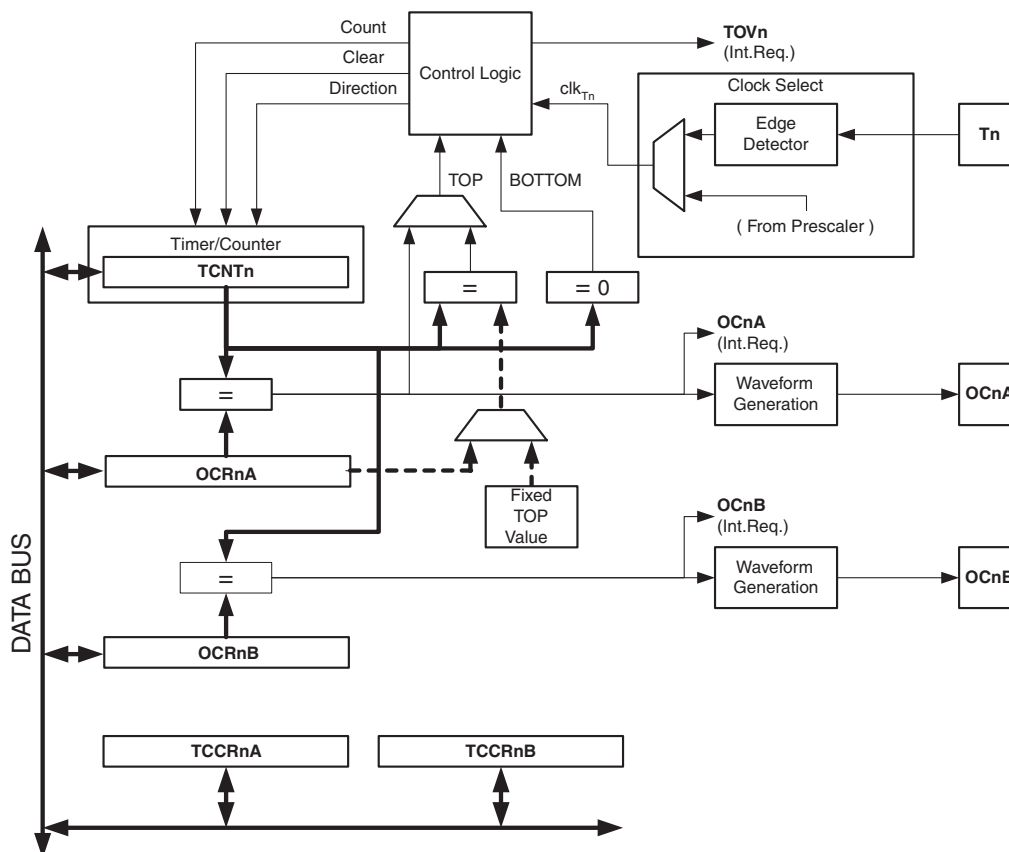
### 16.2 Overview

Timer/Counter0 is a general purpose 8-bit Timer/Counter module, with two independent Output Compare Units, and with PWM support. It allows accurate program execution timing (event management) and wave generation.

A simplified block diagram of the 8-bit Timer/Counter is shown in [Figure 16-1](#). For the actual placement of I/O pins, refer to ["32 TQFP Pinout ATmega48PB/88PB/168PB" on page 10](#). CPU accessible I/O Registers, including I/O bits and I/O pins, are shown in bold. The device-specific I/O Register and bit locations are listed in the ["Register Description" on page 111](#).

The PRTIM0 bit in ["Minimizing Power Consumption" on page 49](#) must be written to zero to enable Timer/Counter0 module.

**Figure 16-1. 8-bit Timer/Counter Block Diagram**



## 16.2.1 Definitions

Many register and bit references in this section are written in general form. A lower case “n” replaces the Timer/Counter number, in this case 0. A lower case “x” replaces the Output Compare Unit, in this case Compare Unit A or Compare Unit B. However, when using the register or bit defines in a program, the precise form must be used, i.e., TCNT0 for accessing Timer/Counter0 counter value and so on.

The definitions in [Table 16-1](#) are also used extensively throughout the document.

**Table 16-1. Definitions**

|        |   |
|--------|---|
| BOTTOM | The counter reaches the BOTTOM when it becomes 0x00.  |
| MAX    | The counter reaches its MAXimum when it becomes 0xFF (decimal 255).   |
| TOP    | The counter reaches the TOP when it becomes equal to the highest value in the count sequence. The TOP value can be assigned to be the fixed value 0xFF (MAX) or the value stored in the OCR0A Register. The assignment is dependent on the mode of operation. |

## 16.2.2 Registers

The Timer/Counter (TCNT0) and Output Compare Registers (OCR0A and OCR0B) are 8-bit registers. Interrupt request (abbreviated to Int.Req. in the figure) signals are all visible in the Timer Interrupt Flag Register (TIFR0). All interrupts are individually masked with the Timer Interrupt Mask Register (TIMSK0). TIFR0 and TIMSK0 are not shown in the figure.

The Timer/Counter can be clocked internally, via the prescaler, or by an external clock source on the T0 pin. The Clock Select logic block controls which clock source and edge the Timer/Counter uses to increment (or decrement)

its value. The Timer/Counter is inactive when no clock source is selected. The output from the Clock Select logic is referred to as the timer clock ( $clk_{T0}$ ).

The double buffered Output Compare Registers (OCR0A and OCR0B) are compared with the Timer/Counter value at all times. The result of the compare can be used by the Waveform Generator to generate a PWM or variable frequency output on the Output Compare pins (OC0A and OC0B). See ["Using the Output Compare Unit" on page 128](#) for details. The compare match event will also set the Compare Flag (OCF0A or OCF0B) which can be used to generate an Output Compare interrupt request.

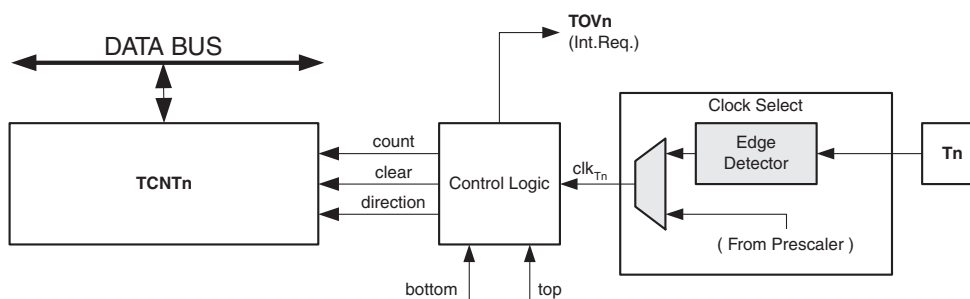
## 16.3 Timer/Counter Clock Sources

The Timer/Counter can be clocked by an internal or an external clock source. The clock source is selected by the Clock Select logic which is controlled by the Clock Select (CS02:0) bits located in the Timer/Counter Control Register (TCCR0B). For details on clock sources and prescaler, see ["Timer/Counter0 and Timer/Counter1 Prescalers" on page 144](#).

## 16.4 Counter Unit

The main part of the 8-bit Timer/Counter is the programmable bi-directional counter unit. [Figure 16-2 on page 102](#) shows a block diagram of the counter and its surroundings.

**Figure 16-2. Counter Unit Block Diagram**



Signal description (internal signals)

- count** Increment or decrement TCNT0 by 1.
- direction** Select between increment and decrement.
- clear** Clear TCNT0 (set all bits to zero).
- $clk_{Tn}$**  Clear TCNT0 (set all bits to zero).
- top** Signalize that TCNT0 has reached maximum value.
- bottom** Signalize that TCNT0 has reached minimum value (zero).

Depending of the mode of operation used, the counter is cleared, incremented, or decremented at each timer clock ( $clk_{T0}$ ).  $clk_{T0}$  can be generated from an external or internal clock source, selected by the Clock Select bits (CS02:0). When no clock source is selected (CS02:0 = 0) the timer is stopped. However, the TCNT0 value can be accessed by the CPU, regardless of whether  $clk_{T0}$  is present or not. A CPU write overrides (has priority over) all counter clear or count operations.

The counting sequence is determined by the setting of the WGM01 and WGM00 bits located in the Timer/Counter Control Register (TCCR0A) and the WGM02 bit located in the Timer/Counter Control Register B (TCCR0B). There are close connections between how the counter behaves (counts) and how waveforms are generated on the

Output Compare outputs OC0A and OC0B. For more details about advanced counting sequences and waveform generation, see ["Modes of Operation" on page 105](#).

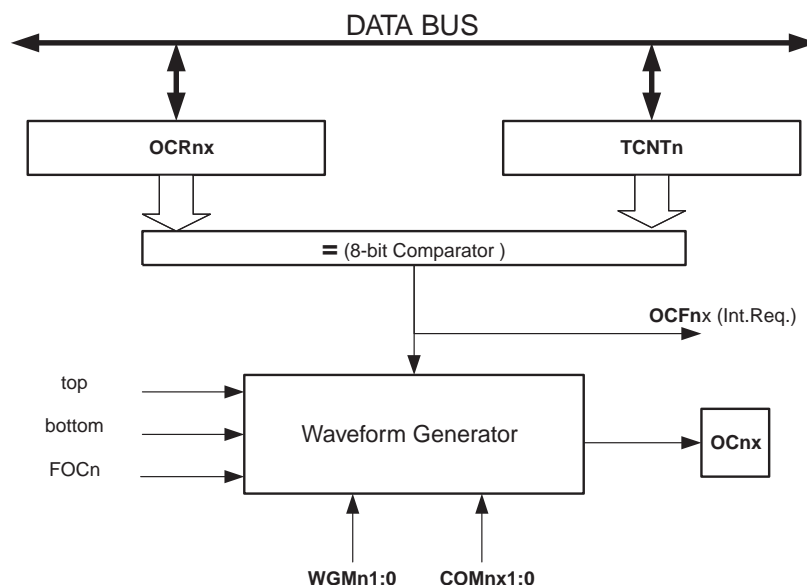
The Timer/Counter Overflow Flag (TOV0) is set according to the mode of operation selected by the WGM02:0 bits. TOV0 can be used for generating a CPU interrupt.

## 16.5 Output Compare Unit

The 8-bit comparator continuously compares TCNT0 with the Output Compare Registers (OCR0A and OCR0B). Whenever TCNT0 equals OCR0A or OCR0B, the comparator signals a match. A match will set the Output Compare Flag (OCF0A or OCF0B) at the next timer clock cycle. If the corresponding interrupt is enabled, the Output Compare Flag generates an Output Compare interrupt. The Output Compare Flag is automatically cleared when the interrupt is executed. Alternatively, the flag can be cleared by software by writing a logical one to its I/O bit location. The Waveform Generator uses the match signal to generate an output according to operating mode set by the WGM02:0 bits and Compare Output mode (COM0x1:0) bits. The max and bottom signals are used by the Waveform Generator for handling the special cases of the extreme values in some modes of operation (["Modes of Operation" on page 105](#)).<sup>9</sup>

[Figure 16-3 on page 103](#) shows a block diagram of the Output Compare unit.

**Figure 16-3. Output Compare Unit, Block Diagram**



The OCR0x Registers are double buffered when using any of the Pulse Width Modulation (PWM) modes. For the normal and Clear Timer on Compare (CTC) modes of operation, the double buffering is disabled. The double buffering synchronizes the update of the OCR0x Compare Registers to either top or bottom of the counting sequence. The synchronization prevents the occurrence of odd-length, non-symmetrical PWM pulses, thereby making the output glitch-free.

The OCR0x Register access may seem complex, but this is not case. When the double buffering is enabled, the CPU has access to the OCR0x Buffer Register, and if double buffering is disabled the CPU will access the OCR0x directly.

### 16.5.1 Force Output Compare

In non-PWM waveform generation modes, the match output of the comparator can be forced by writing a one to the Force Output Compare (FOC0x) bit. Forcing compare match will not set the OCF0x Flag or reload/clear the

timer, but the OC0x pin will be updated as if a real compare match had occurred (the COM0x1:0 bits settings define whether the OC0x pin is set, cleared or toggled).

## 16.5.2 Compare Match Blocking by TCNT0 Write

All CPU write operations to the TCNT0 Register will block any compare match that occur in the next timer clock cycle, even when the timer is stopped. This feature allows OCR0x to be initialized to the same value as TCNT0 without triggering an interrupt when the Timer/Counter clock is enabled.

## 16.5.3 Using the Output Compare Unit

Since writing TCNT0 in any mode of operation will block all compare matches for one timer clock cycle, there are risks involved when changing TCNT0 when using the Output Compare Unit, independently of whether the Timer/Counter is running or not. If the value written to TCNT0 equals the OCR0x value, the compare match will be missed, resulting in incorrect waveform generation. Similarly, do not write the TCNT0 value equal to BOTTOM when the counter is down counting.

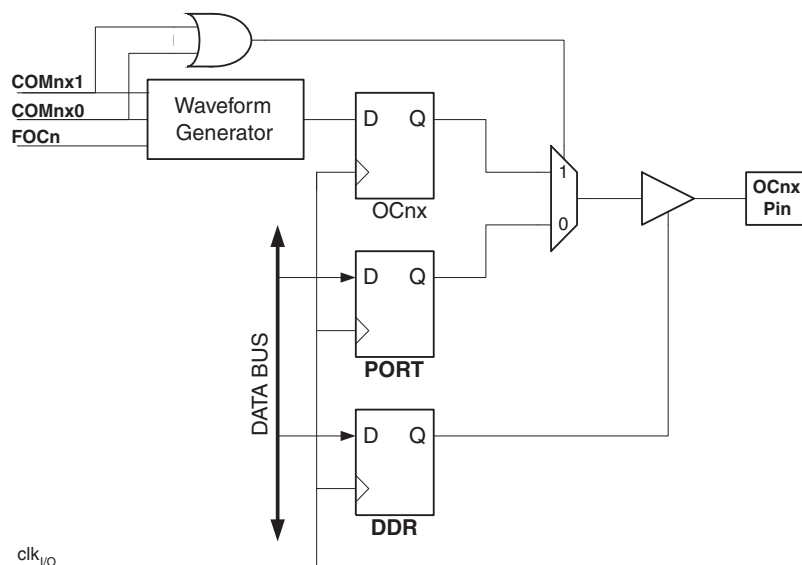
The setup of the OC0x should be performed before setting the Data Direction Register for the port pin to output. The easiest way of setting the OC0x value is to use the Force Output Compare (FOC0x) strobe bits in Normal mode. The OC0x Registers keep their values even when changing between Waveform Generation modes.

Be aware that the COM0x1:0 bits are not double buffered together with the compare value. Changing the COM0x1:0 bits will take effect immediately.

## 16.6 Compare Match Output Unit

The Compare Output mode (COM0x1:0) bits have two functions. The Waveform Generator uses the COM0x1:0 bits for defining the Output Compare (OC0x) state at the next compare match. Also, the COM0x1:0 bits control the OC0x pin output source. [Figure 16-4](#) shows a simplified schematic of the logic affected by the COM0x1:0 bit setting. The I/O Registers, I/O bits, and I/O pins in the figure are shown in bold. Only the parts of the general I/O port control registers (DDR and PORT) that are affected by the COM0x1:0 bits are shown. When referring to the OC0x state, the reference is for the internal OC0x Register, not the OC0x pin. If a system reset occur, the OC0x Register is reset to “0”.

**Figure 16-4. Compare Match Output Unit, Schematic**



The general I/O port function is overridden by the Output Compare (OC0x) from the Waveform Generator if either of the COM0x1:0 bits are set. However, the OC0x pin direction (input or output) is still controlled by the Data



Direction Register (DDR) for the port pin. The Data Direction Register bit for the OC0x pin (DDR\_OC0x) must be set as output before the OC0x value is visible on the pin. The port override function is independent of the Waveform Generation mode.

The design of the Output Compare pin logic allows initialization of the OC0x state before the output is enabled. Note that some COM0x1:0 bit settings are reserved for certain modes of operation. See ["Register Description" on page 111](#).

### 16.6.1 Compare Output Mode and Waveform Generation

The Waveform Generator uses the COM0x1:0 bits differently in Normal, CTC, and PWM modes. For all modes, setting the COM0x1:0 = 0 tells the Waveform Generator that no action on the OC0x Register is to be performed on the next compare match. For compare output actions in the non-PWM modes refer to [Table 16-2 on page 111](#). For fast PWM mode, refer to [Table 16-3 on page 111](#), and for phase correct PWM refer to [Table 16-4 on page 112](#).

A change of the COM0x1:0 bits state will have effect at the first compare match after the bits are written. For non-PWM modes, the action can be forced to have immediate effect by using the FOC0x strobe bits.

## 16.7 Modes of Operation

The mode of operation, i.e., the behavior of the Timer/Counter and the Output Compare pins, is defined by the combination of the Waveform Generation mode (WGM02:0) and Compare Output mode (COM0x1:0) bits. The Compare Output mode bits do not affect the counting sequence, while the Waveform Generation mode bits do. The COM0x1:0 bits control whether the PWM output generated should be inverted or not (inverted or non-inverted PWM). For non-PWM modes the COM0x1:0 bits control whether the output should be set, cleared, or toggled at a compare match (See ["Compare Match Output Unit" on page 104](#)).

For detailed timing information refer to ["Timer/Counter Timing Diagrams" on page 109](#).

### 16.7.1 Normal Mode

The simplest mode of operation is the Normal mode (WGM02:0 = 0). In this mode the counting direction is always up (incrementing), and no counter clear is performed. The counter simply overruns when it passes its maximum 8-bit value (TOP = 0xFF) and then restarts from the bottom (0x00). In normal operation the Timer/Counter Overflow Flag (TOV0) will be set in the same timer clock cycle as the TCNT0 becomes zero. The TOV0 Flag in this case behaves like a ninth bit, except that it is only set, not cleared. However, combined with the timer overflow interrupt that automatically clears the TOV0 Flag, the timer resolution can be increased by software. There are no special cases to consider in the Normal mode, a new counter value can be written anytime.

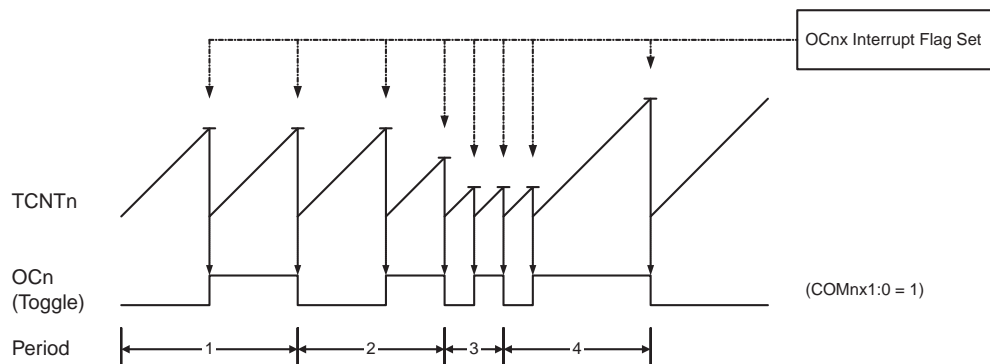
The Output Compare unit can be used to generate interrupts at some given time. Using the Output Compare to generate waveforms in Normal mode is not recommended, since this will occupy too much of the CPU time.

### 16.7.2 Clear Timer on Compare Match (CTC) Mode

In Clear Timer on Compare or CTC mode (WGM02:0 = 2), the OCR0A Register is used to manipulate the counter resolution. In CTC mode the counter is cleared to zero when the counter value (TCNT0) matches the OCR0A. The OCR0A defines the top value for the counter, hence also its resolution. This mode allows greater control of the compare match output frequency. It also simplifies the operation of counting external events.

The timing diagram for the CTC mode is shown in [Figure 16-5](#). The counter value (TCNT0) increases until a compare match occurs between TCNT0 and OCR0A, and then counter (TCNT0) is cleared.

**Figure 16-5. CTC Mode, Timing Diagram**



An interrupt can be generated each time the counter value reaches the TOP value by using the OCF0A Flag. If the interrupt is enabled, the interrupt handler routine can be used for updating the TOP value. However, changing TOP to a value close to BOTTOM when the counter is running with none or a low prescaler value must be done with care since the CTC mode does not have the double buffering feature. If the new value written to OCR0A is lower than the current value of TCNT0, the counter will miss the compare match. The counter will then have to count to its maximum value (0xFF) and wrap around starting at 0x00 before the compare match can occur.

For generating a waveform output in CTC mode, the OC0A output can be set to toggle its logical level on each compare match by setting the Compare Output mode bits to toggle mode (COM0A1:0 = 1). The OC0A value will not be visible on the port pin unless the data direction for the pin is set to output. The waveform generated will have a maximum frequency of  $f_{OC0} = f_{clk\_I/O}/2$  when OCR0A is set to zero (0x00). The waveform frequency is defined by the following equation:

$$f_{OCnx} = \frac{f_{clk\_I/O}}{2 \cdot N \cdot (1 + OCRnx)}$$

The  $N$  variable represents the prescale factor (1, 8, 64, 256, or 1024).

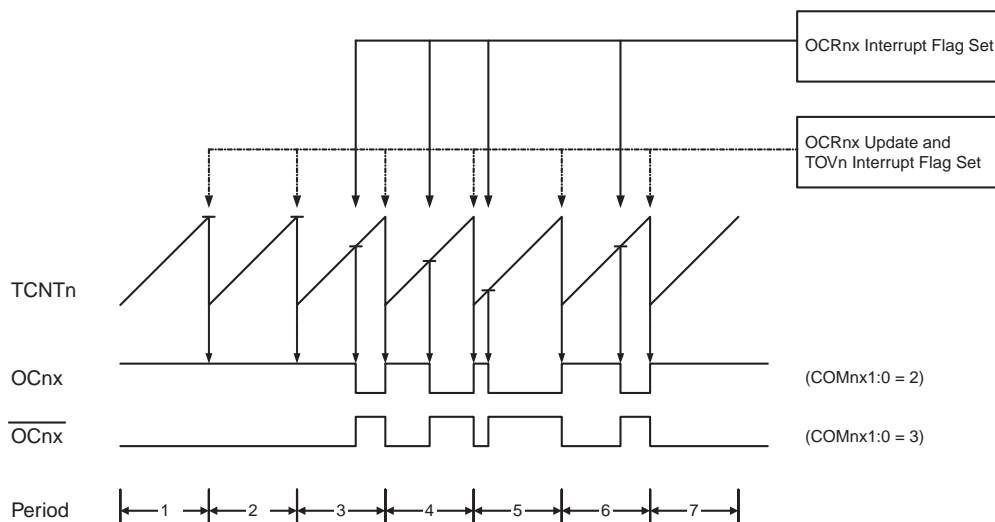
As for the Normal mode of operation, the TOV0 Flag is set in the same timer clock cycle that the counter counts from MAX to 0x00.

### 16.7.3 Fast PWM Mode

The fast Pulse Width Modulation or fast PWM mode (WGM02:0 = 3 or 7) provides a high frequency PWM waveform generation option. The fast PWM differs from the other PWM option by its single-slope operation. The counter counts from BOTTOM to TOP then restarts from BOTTOM. TOP is defined as 0xFF when WGM2:0 = 3, and OCR0A when WGM2:0 = 7. In non-inverting Compare Output mode, the Output Compare (OC0x) is cleared on the compare match between TCNT0 and OCR0x, and set at BOTTOM. In inverting Compare Output mode, the output is set on compare match and cleared at BOTTOM. Due to the single-slope operation, the operating frequency of the fast PWM mode can be twice as high as the phase correct PWM mode that use dual-slope operation. This high frequency makes the fast PWM mode well suited for power regulation, rectification, and DAC applications. High frequency allows physically small sized external components (coils, capacitors), and therefore reduces total system cost.

In fast PWM mode, the counter is incremented until the counter value matches the TOP value. The counter is then cleared at the following timer clock cycle. The timing diagram for the fast PWM mode is shown in Figure 16-6. The TCNT0 value is in the timing diagram shown as a histogram for illustrating the single-slope operation. The diagram includes non-inverted and inverted PWM outputs. The small horizontal line marks on the TCNT0 slopes represent compare matches between OCR0x and TCNT0.

**Figure 16-6. Fast PWM Mode, Timing Diagram**



The Timer/Counter Overflow Flag (TOV0) is set each time the counter reaches TOP. If the interrupt is enabled, the interrupt handler routine can be used for updating the compare value.

In fast PWM mode, the compare unit allows generation of PWM waveforms on the OC0x pins. Setting the COM0x1:0 bits to two will produce a non-inverted PWM and an inverted PWM output can be generated by setting the COM0x1:0 to three: Setting the COM0A1:0 bits to one allows the OC0A pin to toggle on Compare Matches if the WGM02 bit is set. This option is not available for the OC0B pin (see [Table 16-6 on page 112](#)). The actual OC0x value will only be visible on the port pin if the data direction for the port pin is set as output. The PWM waveform is generated by setting (or clearing) the OC0x Register at the compare match between OCR0x and TCNT0, and clearing (or setting) the OC0x Register at the timer clock cycle the counter is cleared (changes from TOP to BOTTOM).

The PWM frequency for the output can be calculated by the following equation:

$$f_{OCnxPWM} = \frac{f_{clk\_IO}}{N \cdot 256}$$

The  $N$  variable represents the prescale factor (1, 8, 64, 256, or 1024).

The extreme values for the OCR0A Register represents special cases when generating a PWM waveform output in the fast PWM mode. If the OCR0A is set equal to BOTTOM, the output will be a narrow spike for each MAX+1 timer clock cycle. Setting the OCR0A equal to MAX will result in a constantly high or low output (depending on the polarity of the output set by the COM0A1:0 bits.)

A frequency (with 50% duty cycle) waveform output in fast PWM mode can be achieved by setting OC0x to toggle its logical level on each compare match (COM0x1:0 = 1). The waveform generated will have a maximum frequency of  $f_{OC0} = f_{clk\_IO}/2$  when OCR0A is set to zero. This feature is similar to the OC0A toggle in CTC mode, except the double buffer feature of the Output Compare unit is enabled in the fast PWM mode.

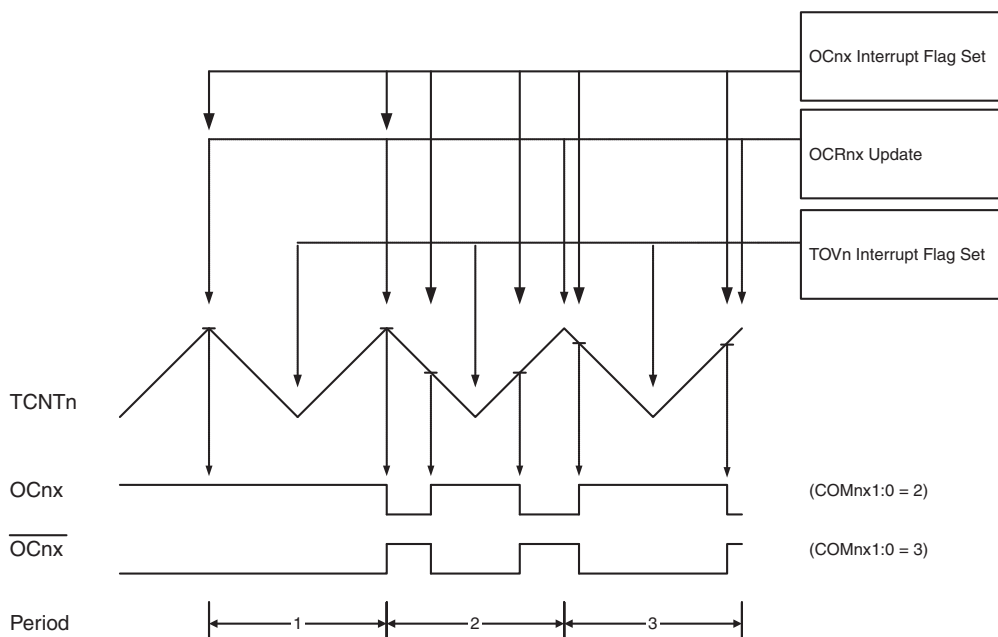
## 16.7.4 Phase Correct PWM Mode

The phase correct PWM mode (WGM02:0 = 1 or 5) provides a high resolution phase correct PWM waveform generation option. The phase correct PWM mode is based on a dual-slope operation. The counter counts repeatedly from BOTTOM to TOP and then from TOP to BOTTOM. TOP is defined as 0xFF when WGM02:0 = 1, and OCR0A when WGM02:0 = 5. In non-inverting Compare Output mode, the Output Compare (OC0x) is cleared on the compare match between TCNT0 and OCR0x while upcounting, and set on the compare match while downcounting. In inverting Output Compare mode, the operation is inverted. The dual-slope operation has lower

maximum operation frequency than single slope operation. However, due to the symmetric feature of the dual-slope PWM modes, these modes are preferred for motor control applications.

In phase correct PWM mode the counter is incremented until the counter value matches TOP. When the counter reaches TOP, it changes the count direction. The TCNT0 value will be equal to TOP for one timer clock cycle. The timing diagram for the phase correct PWM mode is shown on [Figure 16-7 on page 108](#). The TCNT0 value is in the timing diagram shown as a histogram for illustrating the dual-slope operation. The diagram includes non-inverted and inverted PWM outputs. The small horizontal line marks on the TCNT0 slopes represent compare matches between OCR0x and TCNT0.

**Figure 16-7. Phase Correct PWM Mode, Timing Diagram**



The Timer/Counter Overflow Flag (TOV0) is set each time the counter reaches BOTTOM. The Interrupt Flag can be used to generate an interrupt each time the counter reaches the BOTTOM value.

In phase correct PWM mode, the compare unit allows generation of PWM waveforms on the OC0x pins. Setting the COM0x1:0 bits to two will produce a non-inverted PWM. An inverted PWM output can be generated by setting the COM0x1:0 to three: Setting the COM0A0 bits to one allows the OC0A pin to toggle on Compare Matches if the WGM02 bit is set. This option is not available for the OC0B pin (see [Table 16-7 on page 113](#)). The actual OC0x value will only be visible on the port pin if the data direction for the port pin is set as output. The PWM waveform is generated by clearing (or setting) the OC0x Register at the compare match between OCR0x and TCNT0 when the counter increments, and setting (or clearing) the OC0x Register at compare match between OCR0x and TCNT0 when the counter decrements. The PWM frequency for the output when using phase correct PWM can be calculated by the following equation:

$$f_{OCnxPCPWM} = \frac{f_{clk\_I/O}}{N \cdot 510}$$

The N variable represents the prescale factor (1, 8, 64, 256, or 1024).

The extreme values for the OCR0A Register represent special cases when generating a PWM waveform output in the phase correct PWM mode. If the OCR0A is set equal to BOTTOM, the output will be continuously low and if set equal to MAX the output will be continuously high for non-inverted PWM mode. For inverted PWM the output will have the opposite logic values.

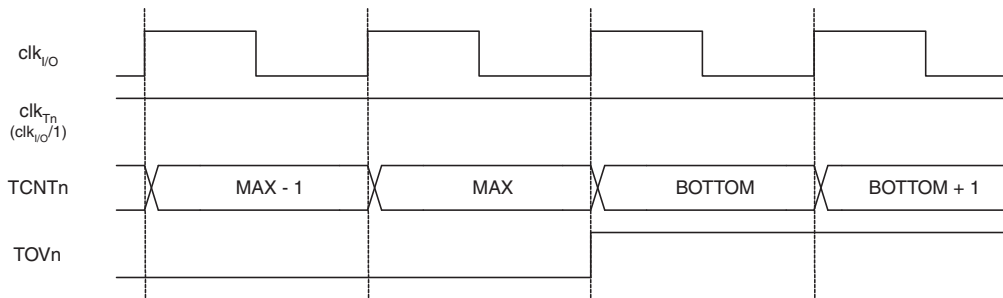
At the very start of period 2 in [Figure 16-7](#) OCnx has a transition from high to low even though there is no Compare Match. The point of this transition is to ensure symmetry around BOTTOM. There are two cases that give a transition without Compare Match.

- OCRnx changes its value from MAX, like in [Figure 16-7](#). When the OCR0A value is MAX the OCn pin value is the same as the result of a down-counting Compare Match. To ensure symmetry around BOTTOM the OCnx value at MAX must correspond to the result of an up-counting Compare Match.
- The timer starts counting from a value higher than the one in OCRnx, and for that reason misses the Compare Match and hence the OCnx change that would have happened on the way up.

## 16.8 Timer/Counter Timing Diagrams

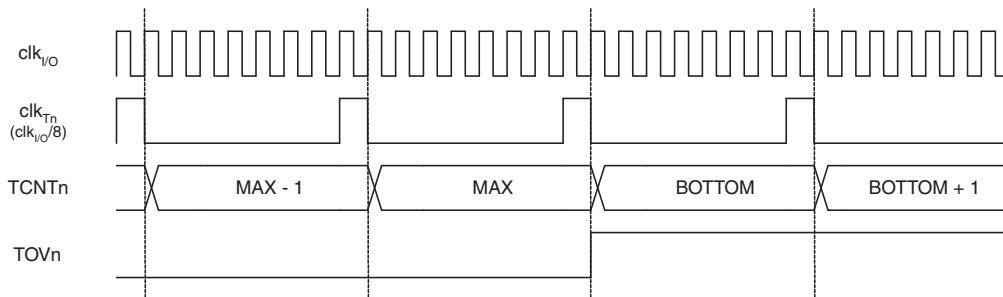
The Timer/Counter is a synchronous design and the timer clock ( $clk_{T0}$ ) is therefore shown as a clock enable signal in the following figures. The figures include information on when interrupt flags are set. [Figure 16-8](#) contains timing data for basic Timer/Counter operation. The figure shows the count sequence close to the MAX value in all modes other than phase correct PWM mode.

**Figure 16-8. Timer/Counter Timing Diagram, no Prescaling**



[Figure 16-9](#) shows the same timing data, but with the prescaler enabled.

**Figure 16-9. Timer/Counter Timing Diagram, with Prescaler ( $f_{clk_{I/O}}/8$ )**



[Figure 16-10](#) shows the setting of OCF0B in all modes and OCF0A in all modes except CTC mode and PWM mode, where OCR0A is TOP.

**Figure 16-10. Timer/Counter Timing Diagram, Setting of OCF0x, with Prescaler ( $f_{clk\_I/O}/8$ )**

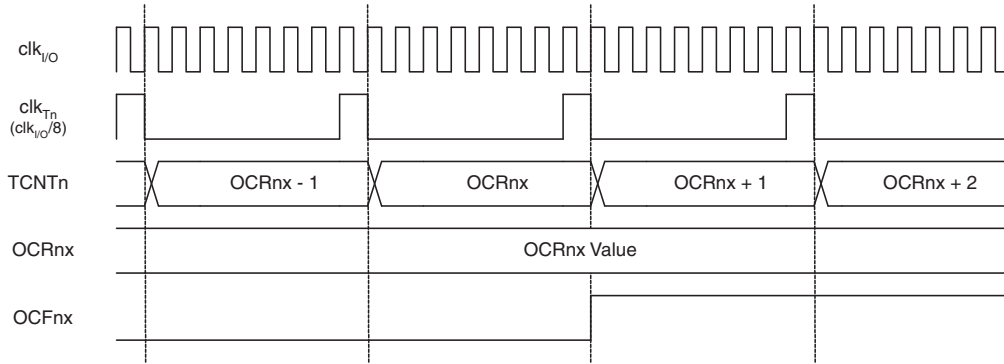
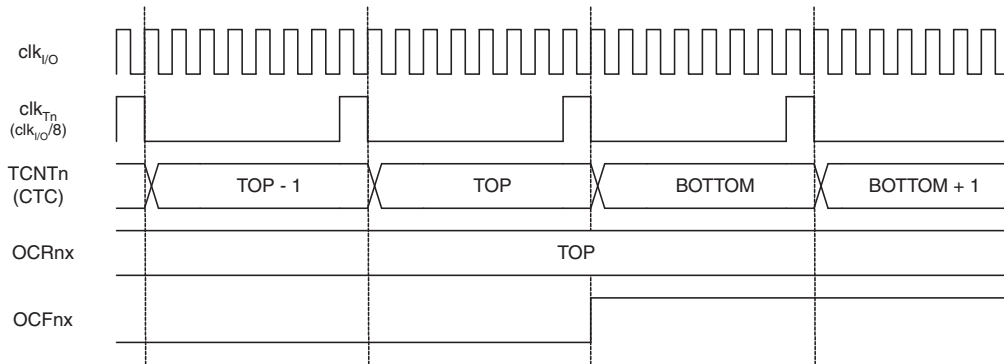


Figure 16-11 on page 110 shows the setting of OCF0A and the clearing of TCNT0 in CTC mode and fast PWM mode where OCR0A is TOP.

**Figure 16-11. Timer/Counter Timing Diagram, Clear Timer on Compare Match mode, with Prescaler ( $f_{clk\_I/O}/8$ )**



## 16.9 Register Description

### 16.9.1 TCCR0A – Timer/Counter Control Register A

|               |               |               |               |               |   |   |              |              |        |
|---------------|---------------|---------------|---------------|---------------|---|---|--------------|--------------|--------|
| Bit           | 7             | 6             | 5             | 4             | 3 | 2 | 1            | 0            |        |
| 0x24 (0x44)   | <b>COM0A1</b> | <b>COM0A0</b> | <b>COM0B1</b> | <b>COM0B0</b> | – | – | <b>WGM01</b> | <b>WGM00</b> | TCCR0A |
| Read/Write    | R/W           | R/W           | R/W           | R/W           | R | R | R/W          | R/W          |        |
| Initial Value | 0             | 0             | 0             | 0             | 0 | 0 | 0            | 0            |        |

- **Bits 7:6 – COM0A1:0: Compare Match Output A Mode**

These bits control the Output Compare pin (OC0A) behavior. If one or both of the COM0A1:0 bits are set, the OC0A output overrides the normal port functionality of the I/O pin it is connected to. However, note that the Data Direction Register (DDR) bit corresponding to the OC0A pin must be set in order to enable the output driver.

When OC0A is connected to the pin, the function of the COM0A1:0 bits depends on the WGM02:0 bit setting.

[Table 16-2](#) shows the COM0A1:0 bit functionality when the WGM02:0 bits are set to a normal or CTC mode (non-PWM).

**Table 16-2. Compare Output Mode, non-PWM Mode**

| COM0A1 | COM0A0 | Description                              |
|--------|--------|--|
| 0      | 0      | Normal port operation, OC0A disconnected |
| 0      | 1      | Toggle OC0A on Compare Match             |
| 1      | 0      | Clear OC0A on Compare Match              |
| 1      | 1      | Set OC0A on Compare Match                |

[Table 16-3](#) shows the COM0A1:0 bit functionality when the WGM01:0 bits are set to fast PWM mode.

**Table 16-3. Compare Output Mode, Fast PWM Mode<sup>(1)</sup>**

| COM0A1 | COM0A0 | Description  |
|--------|--------|--|
| 0      | 0      | Normal port operation, OC0A disconnected   |
| 0      | 1      | WGM02 = 0: Normal Port Operation, OC0A Disconnected<br>WGM02 = 1: Toggle OC0A on Compare Match |
| 1      | 0      | Clear OC0A on Compare Match, set OC0A at BOTTOM,<br>(non-inverting mode)                       |
| 1      | 1      | Set OC0A on Compare Match, clear OC0A at BOTTOM,<br>(inverting mode)                           |

Note: 1. A special case occurs when OCR0A equals TOP and COM0A1 is set. In this case, the Compare Match is ignored, but the set or clear is done at BOTTOM. See ["Fast PWM Mode" on page 106](#) for more details.

[Table 16-4 on page 112](#) shows the COM0A1:0 bit functionality when the WGM02:0 bits are set to phase correct PWM mode.

**Table 16-4. Compare Output Mode, Phase Correct PWM Mode<sup>(1)</sup>**

| COM0A1 | COM0A0 | Description  |
|--------|--------|--|
| 0      | 0      | Normal port operation, OC0A disconnected.  |
| 0      | 1      | WGM02 = 0: Normal Port Operation, OC0A Disconnected.<br>WGM02 = 1: Toggle OC0A on Compare Match. |
| 1      | 0      | Clear OC0A on Compare Match when up-counting. Set OC0A on Compare Match when down-counting.      |
| 1      | 1      | Set OC0A on Compare Match when up-counting. Clear OC0A on Compare Match when down-counting.      |

Note: 1. A special case occurs when OCR0A equals TOP and COM0A1 is set. In this case, the Compare Match is ignored, but the set or clear is done at TOP. See ["Phase Correct PWM Mode" on page 132](#) for more details.

• **Bits 5:4 – COM0B1:0: Compare Match Output B Mode**

These bits control the Output Compare pin (OC0B) behavior. If one or both of the COM0B1:0 bits are set, the OC0B output overrides the normal port functionality of the I/O pin it is connected to. However, note that the Data Direction Register (DDR) bit corresponding to the OC0B pin must be set in order to enable the output driver.

When OC0B is connected to the pin, the function of the COM0B1:0 bits depends on the WGM02:0 bit setting. [Table 16-5](#) shows the COM0B1:0 bit functionality when the WGM02:0 bits are set to a normal or CTC mode (non-PWM).

**Table 16-5. Compare Output Mode, non-PWM Mode**

| COM0B1 | COM0B0 | Description                              |
|--------|--------|--|
| 0      | 0      | Normal port operation, OC0B disconnected |
| 0      | 1      | Toggle OC0B on Compare Match             |
| 1      | 0      | Clear OC0B on Compare Match              |
| 1      | 1      | Set OC0B on Compare Match                |

[Table 16-6](#) shows the COM0B1:0 bit functionality when the WGM02:0 bits are set to fast PWM mode.

**Table 16-6. Compare Output Mode, Fast PWM Mode<sup>(1)</sup>**

| COM0B1 | COM0B0 | Description   |
|--------|--------|---|
| 0      | 0      | Normal port operation, OC0B disconnected                              |
| 0      | 1      | Reserved  |
| 1      | 0      | Clear OC0B on Compare Match, set OC0B at BOTTOM, (non-inverting mode) |
| 1      | 1      | Set OC0B on Compare Match, clear OC0B at BOTTOM, (inverting mode)     |

Note: 1. A special case occurs when OCR0B equals TOP and COM0B1 is set. In this case, the Compare Match is ignored, but the set or clear is done at TOP. See ["Fast PWM Mode" on page 106](#) for more details.

[Table 16-7 on page 113](#) shows the COM0B1:0 bit functionality when the WGM02:0 bits are set to phase correct PWM mode.



**Table 16-7. Compare Output Mode, Phase Correct PWM Mode<sup>(1)</sup>**

| COM0B1 | COM0B0 | Description  |
|--------|--------|--|
| 0      | 0      | Normal port operation, OC0B disconnected   |
| 0      | 1      | Reserved   |
| 1      | 0      | Clear OC0B on Compare Match when up-counting.<br>Set OC0B on Compare Match when down-counting. |
| 1      | 1      | Set OC0B on Compare Match when up-counting.<br>Clear OC0B on Compare Match when down-counting. |

Note: 1. A special case occurs when OCR0B equals TOP and COM0B1 is set. In this case, the Compare Match is ignored, but the set or clear is done at TOP. See ["Phase Correct PWM Mode" on page 107](#) for more details.

• **Bits 3, 2 – Reserved**

These bits are unused and reserved for future use. For compatibility with future devices, always write these bits to zero when this register is written. These bits will always return zero when read.

• **Bits 1:0 – WGM01:0: Waveform Generation Mode**

Combined with the WGM02 bit found in the TCCR0B Register, these bits control the counting sequence of the counter, the source for maximum (TOP) counter value, and what type of waveform generation to be used, see [Table 16-8](#). Modes of operation supported by the Timer/Counter unit are: Normal mode (counter), Clear Timer on Compare Match (CTC) mode, and two types of Pulse Width Modulation (PWM) modes (see ["Modes of Operation" on page 105](#)).

**Table 16-8. Waveform Generation Mode Bit Description**

| Mode | WGM02 | WGM01 | WGM00 | Timer/Counter Mode of Operation | TOP  | Update of OCRx at | TOV Flag Set on <sup>(1)(2)</sup> |
|------|-------|-------|-------|---------------------------------|------|-------------------|-----------------------------------|
| 0    | 0     | 0     | 0     | Normal                          | 0xFF | Immediate         | MAX                               |
| 1    | 0     | 0     | 1     | PWM, Phase Correct              | 0xFF | TOP               | BOTTOM                            |
| 2    | 0     | 1     | 0     | CTC                             | OCRA | Immediate         | MAX                               |
| 3    | 0     | 1     | 1     | Fast PWM                        | 0xFF | BOTTOM            | MAX                               |
| 4    | 1     | 0     | 0     | Reserved                        | –    | –                 | –                                 |
| 5    | 1     | 0     | 1     | PWM, Phase Correct              | OCRA | TOP               | BOTTOM                            |
| 6    | 1     | 1     | 0     | Reserved                        | –    | –                 | –                                 |
| 7    | 1     | 1     | 1     | Fast PWM                        | OCRA | BOTTOM            | TOP                               |

Notes: 1. MAX = 0xFF  
2. BOTTOM = 0x00

## 16.9.2 TCCR0B – Timer/Counter Control Register B

| Bit           | 7            | 6            | 5 | 4 | 3            | 2           | 1           | 0           |               |
|---------------|--------------|--------------|---|---|--------------|-------------|-------------|-------------|---------------|
| 0x25 (0x45)   | <b>FOC0A</b> | <b>FOC0B</b> | – | – | <b>WGM02</b> | <b>CS02</b> | <b>CS01</b> | <b>CS00</b> | <b>TCCR0B</b> |
| Read/Write    | W            | W            | R | R | R/W          | R/W         | R/W         | R/W         |               |
| Initial Value | 0            | 0            | 0 | 0 | 0            | 0           | 0           | 0           |               |

- **Bit 7 – FOC0A: Force Output Compare A**

The FOC0A bit is only active when the WGM bits specify a non-PWM mode.

However, for ensuring compatibility with future devices, this bit must be set to zero when TCCR0B is written when operating in PWM mode. When writing a logical one to the FOC0A bit, an immediate Compare Match is forced on the Waveform Generation unit. The OC0A output is changed according to its COM0A1:0 bits setting. Note that the FOC0A bit is implemented as a strobe. Therefore it is the value present in the COM0A1:0 bits that determines the effect of the forced compare.

A FOC0A strobe will not generate any interrupt, nor will it clear the timer in CTC mode using OCR0A as TOP.

The FOC0A bit is always read as zero.

- **Bit 6 – FOC0B: Force Output Compare B**

The FOC0B bit is only active when the WGM bits specify a non-PWM mode.

However, for ensuring compatibility with future devices, this bit must be set to zero when TCCR0B is written when operating in PWM mode. When writing a logical one to the FOC0B bit, an immediate Compare Match is forced on the Waveform Generation unit. The OC0B output is changed according to its COM0B1:0 bits setting. Note that the FOC0B bit is implemented as a strobe. Therefore it is the value present in the COM0B1:0 bits that determines the effect of the forced compare.

A FOC0B strobe will not generate any interrupt, nor will it clear the timer in CTC mode using OCR0B as TOP.

The FOC0B bit is always read as zero.

- **Bits 5:4 – Reserved**

These bits are unused and reserved for future use. For compatibility with future devices, always write these bits to zero when this register is written. These bits will always return zero when read.

- **Bit 3 – WGM02: Waveform Generation Mode**

See the description in the "[TCCR0A – Timer/Counter Control Register A](#)" on page 111.

- **Bits 2:0 – CS02:0: Clock Select**

The three Clock Select bits select the clock source to be used by the Timer/Counter.

**Table 16-9. Clock Select Bit Description**

| CS02 | CS01 | CS00 | Description   |
|------|------|------|---|
| 0    | 0    | 0    | No clock source (Timer/Counter stopped)                 |
| 0    | 0    | 1    | clk <sub>I/O</sub> /(No prescaling)                     |
| 0    | 1    | 0    | clk <sub>I/O</sub> /8 (From prescaler)                  |
| 0    | 1    | 1    | clk <sub>I/O</sub> /64 (From prescaler)                 |
| 1    | 0    | 0    | clk <sub>I/O</sub> /256 (From prescaler)                |
| 1    | 0    | 1    | clk <sub>I/O</sub> /1024 (From prescaler)               |
| 1    | 1    | 0    | External clock source on T0 pin. Clock on falling edge. |
| 1    | 1    | 1    | External clock source on T0 pin. Clock on rising edge.  |

If external pin modes are used for the Timer/Counter0, transitions on the T0 pin will clock the counter even if the pin is configured as an output. This feature allows software control of the counting.

### 16.9.3 TCNT0 – Timer/Counter Register

| Bit           | 7                 | 6   | 5   | 4   | 3   | 2   | 1   | 0   |              |
|---------------|-------------------|-----|-----|-----|-----|-----|-----|-----|--------------|
| 0x26 (0x46)   | <b>TCNT0[7:0]</b> |     |     |     |     |     |     |     | <b>TCNT0</b> |
| Read/Write    | R/W               | R/W | R/W | R/W | R/W | R/W | R/W | R/W |              |
| Initial Value | 0                 | 0   | 0   | 0   | 0   | 0   | 0   | 0   |              |

The Timer/Counter Register gives direct access, both for read and write operations, to the Timer/Counter unit 8-bit counter. Writing to the TCNT0 Register blocks (removes) the Compare Match on the following timer clock. Modifying the counter (TCNT0) while the counter is running, introduces a risk of missing a Compare Match between TCNT0 and the OCR0x Registers.

### 16.9.4 OCR0A – Output Compare Register A

| Bit           | 7                 | 6   | 5   | 4   | 3   | 2   | 1   | 0   |              |
|---------------|-------------------|-----|-----|-----|-----|-----|-----|-----|--------------|
| 0x27 (0x47)   | <b>OCR0A[7:0]</b> |     |     |     |     |     |     |     | <b>OCR0A</b> |
| Read/Write    | R/W               | R/W | R/W | R/W | R/W | R/W | R/W | R/W |              |
| Initial Value | 0                 | 0   | 0   | 0   | 0   | 0   | 0   | 0   |              |

The Output Compare Register A contains an 8-bit value that is continuously compared with the counter value (TCNT0). A match can be used to generate an Output Compare interrupt, or to generate a waveform output on the OC0A pin.

### 16.9.5 OCR0B – Output Compare Register B

| Bit           | 7                 | 6   | 5   | 4   | 3   | 2   | 1   | 0   |              |
|---------------|-------------------|-----|-----|-----|-----|-----|-----|-----|--------------|
| 0x28 (0x48)   | <b>OCR0B[7:0]</b> |     |     |     |     |     |     |     | <b>OCR0B</b> |
| Read/Write    | R/W               | R/W | R/W | R/W | R/W | R/W | R/W | R/W |              |
| Initial Value | 0                 | 0   | 0   | 0   | 0   | 0   | 0   | 0   |              |

The Output Compare Register B contains an 8-bit value that is continuously compared with the counter value (TCNT0). A match can be used to generate an Output Compare interrupt, or to generate a waveform output on the OC0B pin.

## 16.9.6 TIMSK0 – Timer/Counter Interrupt Mask Register

| Bit           | 7 | 6 | 5 | 4 | 3 | 2      | 1      | 0     |        |
|---------------|---|---|---|---|---|--------|--------|-------|--------|
| (0x6E)        | – | – | – | – | – | OCIE0B | OCIE0A | TOIE0 | TIMSK0 |
| Read/Write    | R | R | R | R | R | R/W    | R/W    | R/W   |        |
| Initial Value | 0 | 0 | 0 | 0 | 0 | 0      | 0      | 0     |        |

- **Bits 7:3 – Reserved**

These bits are unused and reserved for future use. For compatibility with future devices, always write these bits to zero when this register is written. These bits will always return zero when read.

- **Bit 2 – OCIE0B: Timer/Counter Output Compare Match B Interrupt Enable**

When the OCIE0B bit is written to one, and the I-bit in the Status Register is set, the Timer/Counter Compare Match B interrupt is enabled. The corresponding interrupt is executed if a Compare Match in Timer/Counter occurs, i.e., when the OCF0B bit is set in the Timer/Counter Interrupt Flag Register – TIFR0.

- **Bit 1 – OCIE0A: Timer/Counter0 Output Compare Match A Interrupt Enable**

When the OCIE0A bit is written to one, and the I-bit in the Status Register is set, the Timer/Counter0 Compare Match A interrupt is enabled. The corresponding interrupt is executed if a Compare Match in Timer/Counter0 occurs, i.e., when the OCF0A bit is set in the Timer/Counter 0 Interrupt Flag Register – TIFR0.

- **Bit 0 – TOIE0: Timer/Counter0 Overflow Interrupt Enable**

When the TOIE0 bit is written to one, and the I-bit in the Status Register is set, the Timer/Counter0 Overflow interrupt is enabled. The corresponding interrupt is executed if an overflow in Timer/Counter0 occurs, i.e., when the TOV0 bit is set in the Timer/Counter 0 Interrupt Flag Register – TIFR0.

## 16.9.7 TIFR0 – Timer/Counter 0 Interrupt Flag Register

| Bit           | 7 | 6 | 5 | 4 | 3 | 2     | 1     | 0    |       |
|---------------|---|---|---|---|---|-------|-------|------|-------|
| 0x15 (0x35)   | – | – | – | – | – | OCF0B | OCF0A | TOV0 | TIFR0 |
| Read/Write    | R | R | R | R | R | R/W   | R/W   | R/W  |       |
| Initial Value | 0 | 0 | 0 | 0 | 0 | 0     | 0     | 0    |       |

- **Bits 7:3 – Reserved**

These bits are unused and reserved for future use. For compatibility with future devices, always write these bits to zero when this register is written. These bits will always return zero when read.

- **Bit 2 – OCF0B: Timer/Counter 0 Output Compare B Match Flag**

The OCF0B bit is set when a Compare Match occurs between the Timer/Counter and the data in OCR0B – Output Compare Register0 B. OCF0B is cleared by hardware when executing the corresponding interrupt handling vector. Alternatively, OCF0B is cleared by writing a logic one to the flag. When the I-bit in SREG, OCIE0B (Timer/Counter Compare B Match Interrupt Enable), and OCF0B are set, the Timer/Counter Compare Match Interrupt is executed.

- **Bit 1 – OCF0A: Timer/Counter 0 Output Compare A Match Flag**

The OCF0A bit is set when a Compare Match occurs between the Timer/Counter0 and the data in OCR0A – Output Compare Register0. OCF0A is cleared by hardware when executing the corresponding interrupt handling vector. Alternatively, OCF0A is cleared by writing a logic one to the flag. When the I-bit in SREG, OCIE0A (Timer/Counter0 Compare Match Interrupt Enable), and OCF0A are set, the Timer/Counter0 Compare Match Interrupt is executed.

- **Bit 0 – TOV0: Timer/Counter0 Overflow Flag**

The bit TOV0 is set when an overflow occurs in Timer/Counter0. TOV0 is cleared by hardware when executing the corresponding interrupt handling vector. Alternatively, TOV0 is cleared by writing a logic one to the flag. When the SREG I-bit, TOIE0 (Timer/Counter0 Overflow Interrupt Enable), and TOV0 are set, the Timer/Counter0 Overflow interrupt is executed.

The setting of this flag is dependent of the WGM02:0 bit setting. Refer to [Table 16-8, "Waveform Generation Mode Bit Description"](#) on page 113.

## 17. 16-bit Timer/Counter1 with PWM

### 17.1 Features

- True 16-bit Design (i.e., allows 16-bit PWM)
- Two independent Output Compare Units
- Double Buffered Output Compare Registers
- One Input Capture Unit
- Input Capture Noise Canceler
- Clear Timer on Compare Match (Auto Reload)
- Glitch-free, Phase Correct Pulse Width Modulator (PWM)
- Variable PWM Period
- Frequency Generator
- External Event Counter
- Four independent interrupt Sources (TOV1, OCF1A, OCF1B, and ICF1)

### 17.2 Overview

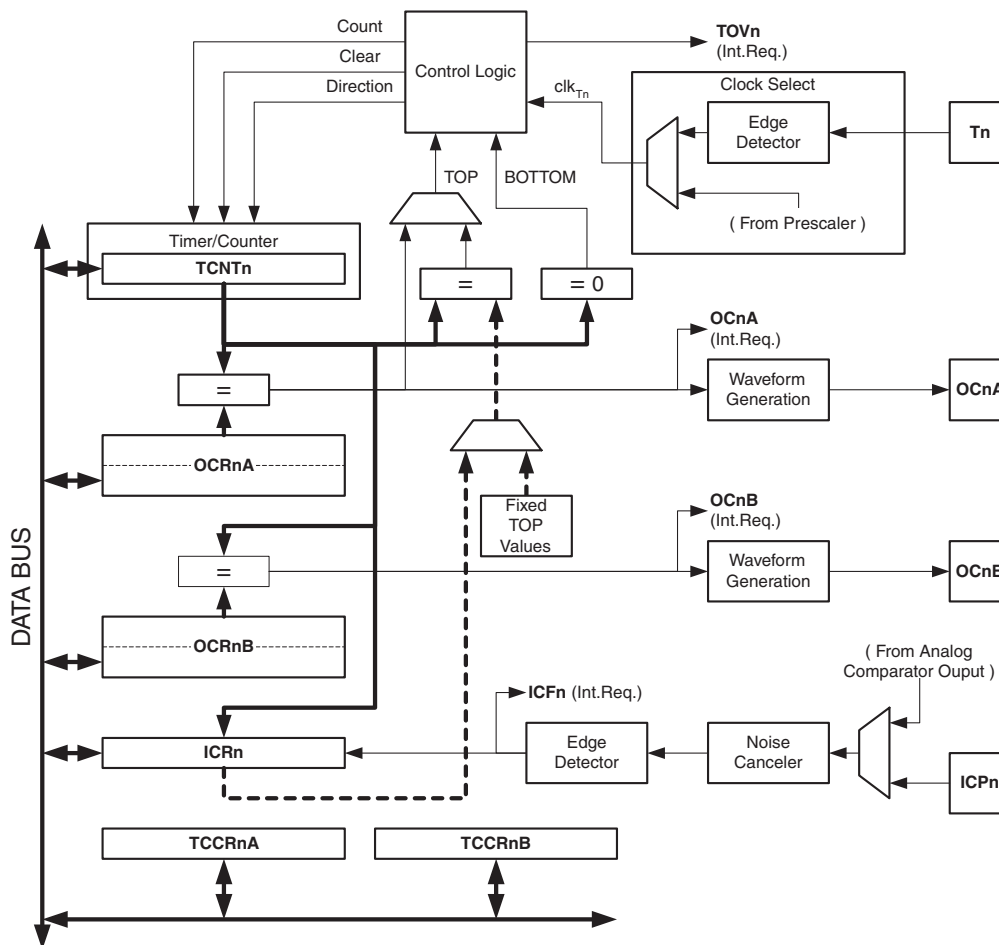
The 16-bit Timer/Counter unit allows accurate program execution timing (event management), wave generation, and signal timing measurement.

Most register and bit references in this section are written in general form. A lower case “n” replaces the Timer/Counter number, and a lower case “x” replaces the Output Compare unit channel. However, when using the register or bit defines in a program, the precise form must be used, i.e., TCNT1 for accessing Timer/Counter1 counter value and so on.

A simplified block diagram of the 16-bit Timer/Counter is shown in [Figure 17-1 on page 119](#). For the actual placement of I/O pins, refer to ["32 TQFP Pinout ATmega48PB/88PB/168PB" on page 10](#). CPU accessible I/O Registers, including I/O bits and I/O pins, are shown in bold. The device-specific I/O Register and bit locations are listed in the ["Register Description" on page 138](#).

The PRTIM1 bit in ["PRR – Power Reduction Register" on page 53](#) must be written to zero to enable Timer/Counter1 module.

**Figure 17-1. 16-bit Timer/Counter Block Diagram<sup>(1)</sup>**



Note: 1. Refer to [Figure 2-1 on page 10](#), [Table 15-3 on page 89](#) and [Table 15-9 on page 94](#) for Timer/Counter1 pin placement and description.

## 17.2.1 Registers

The *Timer/Counter* (TCNT1), *Output Compare Registers* (OCR1A/B), and *Input Capture Register* (ICR1) are all 16-bit registers. Special procedures must be followed when accessing the 16-bit registers. These procedures are described in the section ["Accessing 16-bit Registers" on page 120](#). The *Timer/Counter Control Registers* (TCCR1A/B) are 8-bit registers and have no CPU access restrictions. Interrupt requests (abbreviated to Int.Req. in the figure) signals are all visible in the *Timer Interrupt Flag Register* (TIFR1). All interrupts are individually masked with the *Timer Interrupt Mask Register* (TIMSK1). TIFR1 and TIMSK1 are not shown in the figure.

The Timer/Counter can be clocked internally, via the prescaler, or by an external clock source on the T1 pin. The Clock Select logic block controls which clock source and edge the Timer/Counter uses to increment (or decrement) its value. The Timer/Counter is inactive when no clock source is selected. The output from the Clock Select logic is referred to as the timer clock ( $clk_{T1}$ ).

The double buffered Output Compare Registers (OCR1A/B) are compared with the Timer/Counter value at all time. The result of the compare can be used by the Waveform Generator to generate a PWM or variable frequency output on the Output Compare pin (OC1A/B). See ["Output Compare Units" on page 126](#). The compare match event will also set the Compare Match Flag (OCF1A/B) which can be used to generate an Output Compare interrupt request.

The Input Capture Register can capture the Timer/Counter value at a given external (edge triggered) event on either the Input Capture pin (ICP1) or on the Analog Comparator pins (See ["Analog Comparator" on page 246](#)) The

Input Capture unit includes a digital filtering unit (Noise Canceler) for reducing the chance of capturing noise spikes.

The TOP value, or maximum Timer/Counter value, can in some modes of operation be defined by either the OCR1A Register, the ICR1 Register, or by a set of fixed values. When using OCR1A as TOP value in a PWM mode, the OCR1A Register can not be used for generating a PWM output. However, the TOP value will in this case be double buffered allowing the TOP value to be changed in run time. If a fixed TOP value is required, the ICR1 Register can be used as an alternative, freeing the OCR1A to be used as PWM output.

## 17.2.2 Definitions

The following definitions are used extensively throughout the section:

|        |  |
|--------|--|
| BOTTOM | The counter reaches the <i>BOTTOM</i> when it becomes 0x0000.  |
| MAX    | The counter reaches its <i>MAX</i> imum when it becomes 0xFFFF (decimal 65535).  |
| TOP    | The counter reaches the <i>TOP</i> when it becomes equal to the highest value in the count sequence. The TOP value can be assigned to be one of the fixed values: 0x00FF, 0x01FF, or 0x03FF, or to the value stored in the OCR1A or ICR1 Register. The assignment is dependent of the mode of operation. |

## 17.3 Accessing 16-bit Registers

The TCNT1, OCR1A/B, and ICR1 are 16-bit registers that can be accessed by the AVR CPU via the 8-bit data bus. The 16-bit register must be byte accessed using two read or write operations. Each 16-bit timer has a single 8-bit register for temporary storing of the high byte of the 16-bit access. The same temporary register is shared between all 16-bit registers within each 16-bit timer. Accessing the low byte triggers the 16-bit read or write operation. When the low byte of a 16-bit register is written by the CPU, the high byte stored in the temporary register, and the low byte written are both copied into the 16-bit register in the same clock cycle. When the low byte of a 16-bit register is read by the CPU, the high byte of the 16-bit register is copied into the temporary register in the same clock cycle as the low byte is read.

Not all 16-bit accesses uses the temporary register for the high byte. Reading the OCR1A/B 16-bit registers does not involve using the temporary register.

To do a 16-bit write, the high byte must be written before the low byte. For a 16-bit read, the low byte must be read before the high byte.

The following code examples show how to access the 16-bit Timer Registers assuming that no interrupts updates the temporary register. The same principle can be used directly for accessing the OCR1A/B and ICR1 Registers. Note that when using "C", the compiler handles the 16-bit access.



Assembly Code Examples<sup>(1)</sup>

```

...
; Set TCNT1 to 0x01FF
ldi      r17,0x01
ldi      r16,0xFF
out      TCNT1H,r17
out      TCNT1L,r16
; Read TCNT1 into r17:r16
in       r16,TCNT1L
in       r17,TCNT1H
...

```

C Code Examples<sup>(1)</sup>

```

unsigned int i;
...
/* Set TCNT1 to 0x01FF */
TCNT1 = 0x1FF;
/* Read TCNT1 into i */
i = TCNT1;
...

```

Note: 1. See ["About Code Examples" on page 16](#).

For I/O Registers located in extended I/O map, "IN", "OUT", "SBIS", "SBIC", "CBI", and "SBI" instructions must be replaced with instructions that allow access to extended I/O. Typically "LDS" and "STS" combined with "SBRS", "SBRC", "SBR", and "CBR".

The assembly code example returns the TCNT1 value in the r17:r16 register pair.

It is important to notice that accessing 16-bit registers are atomic operations. If an interrupt occurs between the two instructions accessing the 16-bit register, and the interrupt code updates the temporary register by accessing the same or any other of the 16-bit Timer Registers, then the result of the access outside the interrupt will be corrupted. Therefore, when both the main code and the interrupt code update the temporary register, the main code must disable the interrupts during the 16-bit access.

The following code examples show how to do an atomic read of the TCNT1 Register contents. Reading any of the OCR1A/B or ICR1 Registers can be done by using the same principle.

## Assembly Code Example<sup>(1)</sup>

```

TIM16_ReadTCNT1:
    ; Save global interrupt flag
    in     r18,SREG
    ; Disable interrupts
    cli
    ; Read TCNT1 into r17:r16
    in     r16,TCNT1L
    in     r17,TCNT1H
    ; Restore global interrupt flag
    out   SREG,r18
    ret

```

## C Code Example<sup>(1)</sup>

```

unsigned int TIM16_ReadTCNT1( void )
{
    unsigned char sreg;
    unsigned int i;
    /* Save global interrupt flag */
    sreg = SREG;
    /* Disable interrupts */
    _CLI();
    /* Read TCNT1 into i */
    i = TCNT1;
    /* Restore global interrupt flag */
    SREG = sreg;
    return i;
}

```

Note: 1. [See "About Code Examples" on page 16.](#)

For I/O Registers located in extended I/O map, "IN", "OUT", "SBIS", "SBIC", "CBI", and "SBI" instructions must be replaced with instructions that allow access to extended I/O. Typically "LDS" and "STS" combined with "SBR", "SBRC", "SBR", and "CBR".

The assembly code example returns the TCNT1 value in the r17:r16 register pair.

The following code examples show how to do an atomic write of the TCNT1 Register contents. Writing any of the OCR1A/B or ICR1 Registers can be done by using the same principle.

Assembly Code Example<sup>(1)</sup>

```

TIM16_WriteTCNT1:
    ; Save global interrupt flag
    in      r18,SREG
    ; Disable interrupts
    cli
    ; Set TCNT1 to r17:r16
    out    TCNT1H,r17
    out    TCNT1L,r16
    ; Restore global interrupt flag
    out    SREG,r18
    ret

```

C Code Example<sup>(1)</sup>

```

void TIM16_WriteTCNT1( unsigned int i )
{
    unsigned char sreg;
    unsigned int i;
    /* Save global interrupt flag */
    sreg = SREG;
    /* Disable interrupts */
    _CLI();
    /* Set TCNT1 to i */
    TCNT1 = i;
    /* Restore global interrupt flag */
    SREG = sreg;
}

```

Note: 1. See ["About Code Examples" on page 16](#).

For I/O Registers located in extended I/O map, "IN", "OUT", "SBIS", "SBIC", "CBI", and "SBI" instructions must be replaced with instructions that allow access to extended I/O. Typically "LDS" and "STS" combined with "SBR", "SBRC", "SBR", and "CBR".

The assembly code example requires that the r17:r16 register pair contains the value to be written to TCNT1.

### 17.3.1 Reusing the Temporary High Byte Register

If writing to more than one 16-bit register where the high byte is the same for all registers written, then the high byte only needs to be written once. However, note that the same rule of atomic operation described previously also applies in this case.

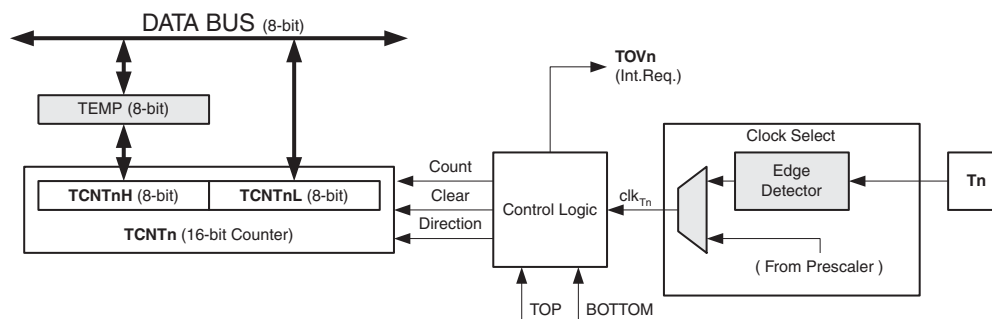
## 17.4 Timer/Counter Clock Sources

The Timer/Counter can be clocked by an internal or an external clock source. The clock source is selected by the Clock Select logic which is controlled by the *Clock Select* (CS12:0) bits located in the *Timer/Counter control Register B* (TCCR1B). For details on clock sources and prescaler, see ["Timer/Counter0 and Timer/Counter1 Prescalers" on page 144](#).

## 17.5 Counter Unit

The main part of the 16-bit Timer/Counter is the programmable 16-bit bi-directional counter unit. [Figure 17-2](#) shows a block diagram of the counter and its surroundings.

Figure 17-2. Counter Unit Block Diagram



Signal description (internal signals):

- Count**            Increment or decrement TCNT1 by 1
- Direction**        Select between increment and decrement.
- Clear**             Clear TCNT1 (set all bits to zero).
- clk<sub>T1</sub>**            Timer/Counter clock.
- TOP**                Signalize that TCNT1 has reached maximum value.
- BOTTOM**           Signalize that TCNT1 has reached minimum value (zero).

The 16-bit counter is mapped into two 8-bit I/O memory locations: *Counter High* (TCNT1H) containing the upper eight bits of the counter, and *Counter Low* (TCNT1L) containing the lower eight bits. The TCNT1H Register can only be indirectly accessed by the CPU. When the CPU does an access to the TCNT1H I/O location, the CPU accesses the high byte temporary register (TEMP). The temporary register is updated with the TCNT1H value when the TCNT1L is read, and TCNT1H is updated with the temporary register value when TCNT1L is written. This allows the CPU to read or write the entire 16-bit counter value within one clock cycle via the 8-bit data bus. It is important to notice that there are special cases of writing to the TCNT1 Register when the counter is counting that will give unpredictable results. The special cases are described in the sections where they are of importance.

Depending on the mode of operation used, the counter is cleared, incremented, or decremented at each *timer clock* (clk<sub>T1</sub>). The clk<sub>T1</sub> can be generated from an external or internal clock source, selected by the *Clock Select* bits (CS12:0). When no clock source is selected (CS12:0 = 0) the timer is stopped. However, the TCNT1 value can be accessed by the CPU, independent of whether clk<sub>T1</sub> is present or not. A CPU write overrides (has priority over) all counter clear or count operations.

The counting sequence is determined by the setting of the *Waveform Generation mode* bits (WGM13:0) located in the *Timer/Counter Control Registers A and B* (TCCR1A and TCCR1B). There are close connections between how the counter behaves (counts) and how waveforms are generated on the Output Compare outputs OC1x. For more details about advanced counting sequences and waveform generation, see "[Modes of Operation](#)" on page 129.

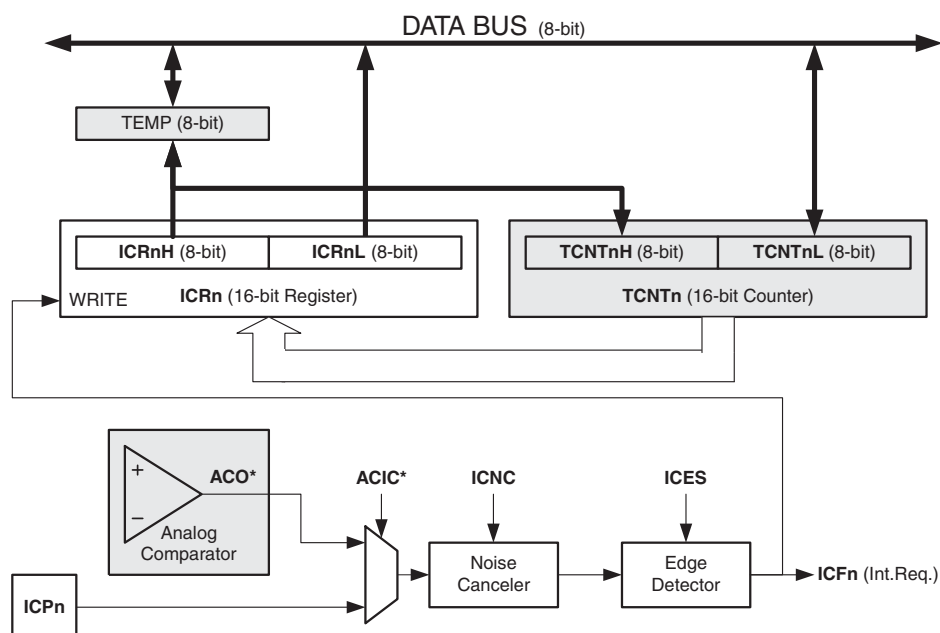
The Timer/Counter Overflow Flag (TOV1) is set according to the mode of operation selected by the WGM13:0 bits. TOV1 can be used for generating a CPU interrupt.

## 17.6 Input Capture Unit

The Timer/Counter incorporates an Input Capture unit that can capture external events and give them a time-stamp indicating time of occurrence. The external signal indicating an event, or multiple events, can be applied via the ICP1 pin or alternatively, via the analog-comparator unit. The time-stamps can then be used to calculate frequency, duty-cycle, and other features of the signal applied. Alternatively the time-stamps can be used for creating a log of the events.

The Input Capture unit is illustrated by the block diagram shown in [Figure 17-3](#). The elements of the block diagram that are not directly a part of the Input Capture unit are gray shaded. The small “n” in register and bit names indicates the Timer/Counter number.

**Figure 17-3. Input Capture Unit Block Diagram**



When a change of the logic level (an event) occurs on the *Input Capture pin* (ICP1), alternatively on the *Analog Comparator output* (ACO), and this change confirms to the setting of the edge detector, a capture will be triggered. When a capture is triggered, the 16-bit value of the counter (TCNT1) is written to the *Input Capture Register* (ICR1). The *Input Capture Flag* (ICF1) is set at the same system clock as the TCNT1 value is copied into ICR1 Register. If enabled (ICIE1 = 1), the Input Capture Flag generates an Input Capture interrupt. The ICF1 Flag is automatically cleared when the interrupt is executed. Alternatively the ICF1 Flag can be cleared by software by writing a logical one to its I/O bit location.

Reading the 16-bit value in the *Input Capture Register* (ICR1) is done by first reading the low byte (ICR1L) and then the high byte (ICR1H). When the low byte is read the high byte is copied into the high byte temporary register (TEMP). When the CPU reads the ICR1H I/O location it will access the TEMP Register.

The ICR1 Register can only be written when using a *Waveform Generation mode* that utilizes the ICR1 Register for defining the counter's TOP value. In these cases the *Waveform Generation mode* (WGM13:0) bits must be set before the TOP value can be written to the ICR1 Register. When writing the ICR1 Register the high byte must be written to the ICR1H I/O location before the low byte is written to ICR1L.

For more information on how to access the 16-bit registers refer to ["Accessing 16-bit Registers" on page 120](#).

## 17.6.1 Input Capture Trigger Source

The main trigger source for the Input Capture unit is the *Input Capture pin* (ICP1). Timer/Counter1 can alternatively use the *Analog Comparator output* as trigger source for the Input Capture unit. The Analog Comparator is selected as trigger source by setting the *Analog Comparator Input Capture* (ACIC) bit in the *Analog Comparator Control and Status Register* (ACSR). Be aware that changing trigger source can trigger a capture. The Input Capture Flag must therefore be cleared after the change.

Both the *Input Capture pin* (ICP1) and the *Analog Comparator output* (ACO) inputs are sampled using the same technique as for the T1 pin ([Figure 18-1 on page 144](#)). The edge detector is also identical. However, when the noise canceler is enabled, additional logic is inserted before the edge detector, which increases the delay by four

system clock cycles. Note that the input of the noise canceler and edge detector is always enabled unless the Timer/Counter is set in a Waveform Generation mode that uses ICR1 to define TOP.

An Input Capture can be triggered by software by controlling the port of the ICP1 pin.

### 17.6.2 Noise Canceler

The noise canceler improves noise immunity by using a simple digital filtering scheme. The noise canceler input is monitored over four samples, and all four must be equal for changing the output that in turn is used by the edge detector.

The noise canceler is enabled by setting the *Input Capture Noise Canceler* (ICNC1) bit in *Timer/Counter Control Register B* (TCCR1B). When enabled the noise canceler introduces additional four system clock cycles of delay from a change applied to the input, to the update of the ICR1 Register. The noise canceler uses the system clock and is therefore not affected by the prescaler.

### 17.6.3 Using the Input Capture Unit

The main challenge when using the Input Capture unit is to assign enough processor capacity for handling the incoming events. The time between two events is critical. If the processor has not read the captured value in the ICR1 Register before the next event occurs, the ICR1 will be overwritten with a new value. In this case the result of the capture will be incorrect.

When using the Input Capture interrupt, the ICR1 Register should be read as early in the interrupt handler routine as possible. Even though the Input Capture interrupt has relatively high priority, the maximum interrupt response time is dependent on the maximum number of clock cycles it takes to handle any of the other interrupt requests.

Using the Input Capture unit in any mode of operation when the TOP value (resolution) is actively changed during operation, is not recommended.

Measurement of an external signal's duty cycle requires that the trigger edge is changed after each capture. Changing the edge sensing must be done as early as possible after the ICR1 Register has been read. After a change of the edge, the Input Capture Flag (ICF1) must be cleared by software (writing a logical one to the I/O bit location). For measuring frequency only, the clearing of the ICF1 Flag is not required (if an interrupt handler is used).

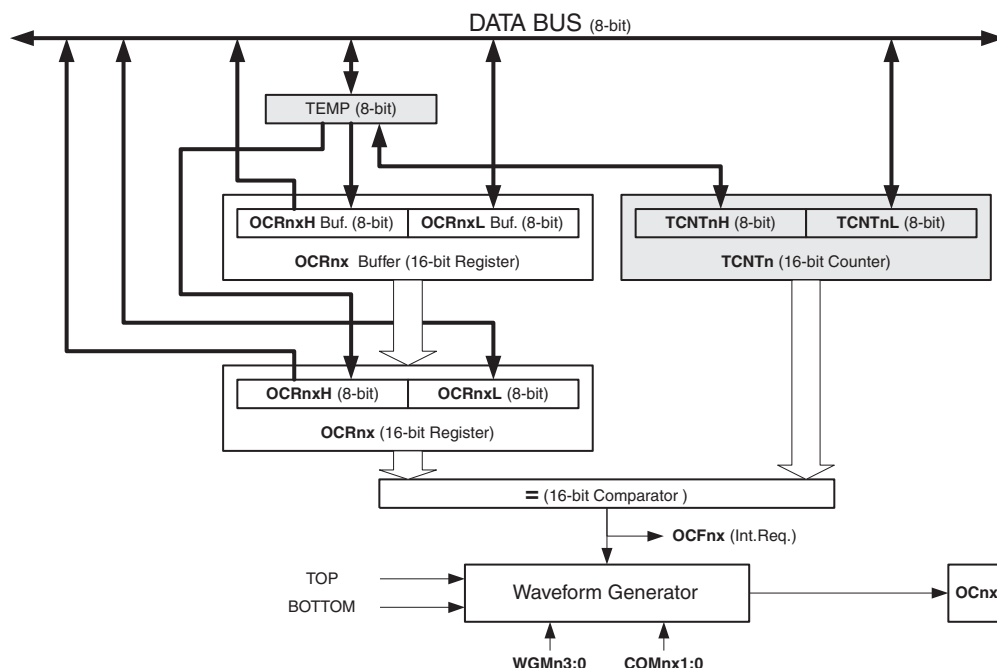
## 17.7 Output Compare Units

The 16-bit comparator continuously compares TCNT1 with the *Output Compare Register* (OCR1x). If TCNT equals OCR1x the comparator signals a match. A match will set the *Output Compare Flag* (OCF1x) at the next timer clock cycle. If enabled (OCIE1x = 1), the Output Compare Flag generates an Output Compare interrupt. The OCF1x Flag is automatically cleared when the interrupt is executed. Alternatively the OCF1x Flag can be cleared by software by writing a logical one to its I/O bit location. The Waveform Generator uses the match signal to generate an output according to operating mode set by the *Waveform Generation mode* (WGM13:0) bits and *Compare Output mode* (COM1x1:0) bits. The TOP and BOTTOM signals are used by the Waveform Generator for handling the special cases of the extreme values in some modes of operation ([See Section "17.9" on page 129](#)).

A special feature of Output Compare unit A allows it to define the Timer/Counter TOP value (i.e., counter resolution). In addition to the counter resolution, the TOP value defines the period time for waveforms generated by the Waveform Generator.

[Figure 17-4](#) shows a block diagram of the Output Compare unit. The small "n" in the register and bit names indicates the device number (n = 1 for Timer/Counter 1), and the "x" indicates Output Compare unit (A/B). The elements of the block diagram that are not directly a part of the Output Compare unit are gray shaded.

**Figure 17-4. Output Compare Unit, Block Diagram**



The OCR1x Register is double buffered when using any of the twelve *Pulse Width Modulation* (PWM) modes. For the Normal and *Clear Timer on Compare* (CTC) modes of operation, the double buffering is disabled. The double buffering synchronizes the update of the OCR1x Compare Register to either TOP or BOTTOM of the counting sequence. The synchronization prevents the occurrence of odd-length, non-symmetrical PWM pulses, thereby making the output glitch-free.

The OCR1x Register access may seem complex, but this is not case. When the double buffering is enabled, the CPU has access to the OCR1x Buffer Register, and if double buffering is disabled the CPU will access the OCR1x directly. The content of the OCR1x (Buffer or Compare) Register is only changed by a write operation (the Timer/Counter does not update this register automatically as the TCNT1 and ICR1 Register). Therefore OCR1x is not read via the high byte temporary register (TEMP). However, it is a good practice to read the low byte first as when accessing other 16-bit registers. Writing the OCR1x Registers must be done via the TEMP Register since the compare of all 16 bits is done continuously. The high byte (OCR1xH) has to be written first. When the high byte I/O location is written by the CPU, the TEMP Register will be updated by the value written. Then when the low byte (OCR1xL) is written to the lower eight bits, the high byte will be copied into the upper 8-bits of either the OCR1x buffer or OCR1x Compare Register in the same system clock cycle.

For more information of how to access the 16-bit registers refer to ["Accessing 16-bit Registers" on page 120](#).

### 17.7.1 Force Output Compare

In non-PWM Waveform Generation modes, the match output of the comparator can be forced by writing a one to the *Force Output Compare* (FOC1x) bit. Forcing compare match will not set the OCF1x Flag or reload/clear the timer, but the OC1x pin will be updated as if a real compare match had occurred (the COM11:0 bits settings define whether the OC1x pin is set, cleared or toggled).

### 17.7.2 Compare Match Blocking by TCNT1 Write

All CPU writes to the TCNT1 Register will block any compare match that occurs in the next timer clock cycle, even when the timer is stopped. This feature allows OCR1x to be initialized to the same value as TCNT1 without triggering an interrupt when the Timer/Counter clock is enabled.

## 17.7.3 Using the Output Compare Unit

Since writing TCNT1 in any mode of operation will block all compare matches for one timer clock cycle, there are risks involved when changing TCNT1 when using any of the Output Compare channels, independent of whether the Timer/Counter is running or not. If the value written to TCNT1 equals the OCR1x value, the compare match will be missed, resulting in incorrect waveform generation. Do not write the TCNT1 equal to TOP in PWM modes with variable TOP values. The compare match for the TOP will be ignored and the counter will continue to 0xFFFF. Similarly, do not write the TCNT1 value equal to BOTTOM when the counter is downcounting.

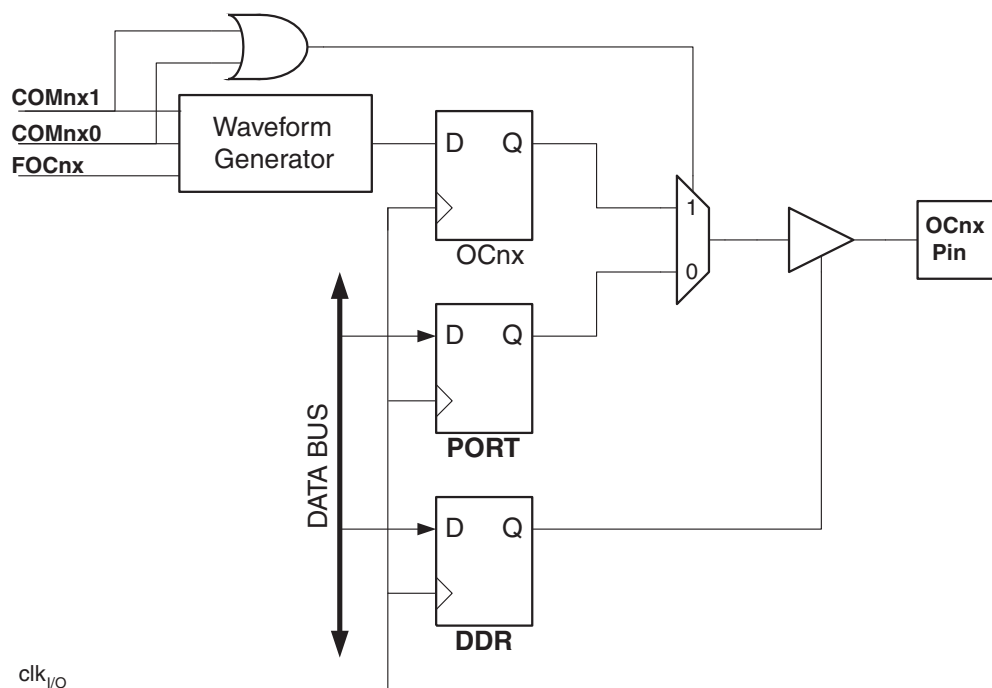
The setup of the OC1x should be performed before setting the Data Direction Register for the port pin to output. The easiest way of setting the OC1x value is to use the Force Output Compare (FOC1x) strobe bits in Normal mode. The OC1x Register keeps its value even when changing between Waveform Generation modes.

Be aware that the COM1x1:0 bits are not double buffered together with the compare value. Changing the COM1x1:0 bits will take effect immediately.

## 17.8 Compare Match Output Unit

The *Compare Output mode* (COM1x1:0) bits have two functions. The Waveform Generator uses the COM1x1:0 bits for defining the Output Compare (OC1x) state at the next compare match. Secondly the COM1x1:0 bits control the OC1x pin output source. Figure 17-5 shows a simplified schematic of the logic affected by the COM1x1:0 bit setting. The I/O Registers, I/O bits, and I/O pins in the figure are shown in bold. Only the parts of the general I/O Port Control Registers (DDR and PORT) that are affected by the COM1x1:0 bits are shown. When referring to the OC1x state, the reference is for the internal OC1x Register, not the OC1x pin. If a system reset occur, the OC1x Register is reset to "0".

Figure 17-5. Compare Match Output Unit, Schematic



The general I/O port function is overridden by the Output Compare (OC1x) from the Waveform Generator if either of the COM1x1:0 bits are set. However, the OC1x pin direction (input or output) is still controlled by the *Data Direction Register* (DDR) for the port pin. The Data Direction Register bit for the OC1x pin (DDR\_OC1x) must be set as output before the OC1x value is visible on the pin. The port override function is generally independent of the



Waveform Generation mode, but there are some exceptions. Refer to [Table 17-1 on page 138](#), [Table 17-2 on page 138](#) and [Table 17-3 on page 139](#) for details.

The design of the Output Compare pin logic allows initialization of the OC1x state before the output is enabled. Note that some COM1x1:0 bit settings are reserved for certain modes of operation. See "[Register Description](#)" on [page 138](#).

The COM1x1:0 bits have no effect on the Input Capture unit.

### 17.8.1 Compare Output Mode and Waveform Generation

The Waveform Generator uses the COM1x1:0 bits differently in normal, CTC, and PWM modes. For all modes, setting the COM1x1:0 = 0 tells the Waveform Generator that no action on the OC1x Register is to be performed on the next compare match. For compare output actions in the non-PWM modes refer to [Table 17-1 on page 138](#). For fast PWM mode refer to [Table 17-2 on page 138](#), and for phase correct and phase and frequency correct PWM refer to [Table 17-3 on page 139](#).

A change of the COM1x1:0 bits state will have effect at the first compare match after the bits are written. For non-PWM modes, the action can be forced to have immediate effect by using the FOC1x strobe bits.

## 17.9 Modes of Operation

The mode of operation, i.e., the behavior of the Timer/Counter and the Output Compare pins, is defined by the combination of the *Waveform Generation mode* (WGM13:0) and *Compare Output mode* (COM1x1:0) bits. The Compare Output mode bits do not affect the counting sequence, while the Waveform Generation mode bits do. The COM1x1:0 bits control whether the PWM output generated should be inverted or not (inverted or non-inverted PWM). For non-PWM modes the COM1x1:0 bits control whether the output should be set, cleared or toggle at a compare match (See "[Compare Match Output Unit](#)" on [page 128](#).)

For detailed timing information refer to "[Timer/Counter Timing Diagrams](#)" on [page 136](#).

### 17.9.1 Normal Mode

The simplest mode of operation is the *Normal mode* (WGM13:0 = 0). In this mode the counting direction is always up (incrementing), and no counter clear is performed. The counter simply overruns when it passes its maximum 16-bit value (MAX = 0xFFFF) and then restarts from the BOTTOM (0x0000). In normal operation the *Timer/Counter Overflow Flag* (TOV1) will be set in the same timer clock cycle as the TCNT1 becomes zero. The TOV1 Flag in this case behaves like a 17th bit, except that it is only set, not cleared. However, combined with the timer overflow interrupt that automatically clears the TOV1 Flag, the timer resolution can be increased by software. There are no special cases to consider in the Normal mode, a new counter value can be written anytime.

The Input Capture unit is easy to use in Normal mode. However, observe that the maximum interval between the external events must not exceed the resolution of the counter. If the interval between events are too long, the timer overflow interrupt or the prescaler must be used to extend the resolution for the capture unit.

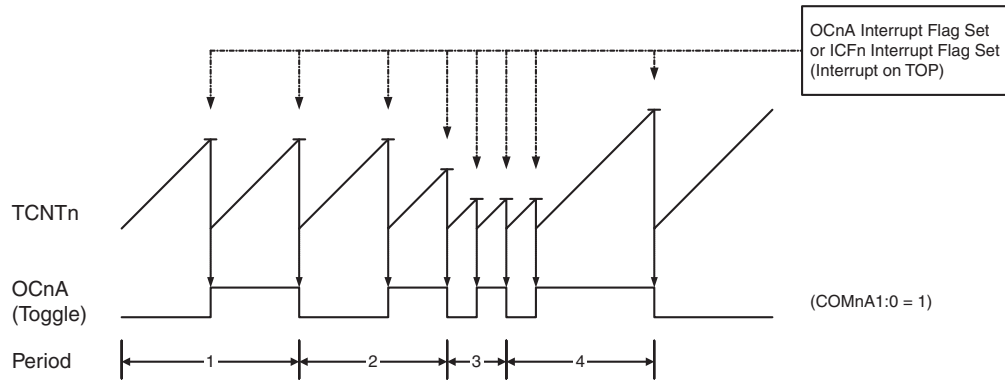
The Output Compare units can be used to generate interrupts at some given time. Using the Output Compare to generate waveforms in Normal mode is not recommended, since this will occupy too much of the CPU time.

### 17.9.2 Clear Timer on Compare Match (CTC) Mode

In *Clear Timer on Compare* or CTC mode (WGM13:0 = 4 or 12), the OCR1A or ICR1 Register are used to manipulate the counter resolution. In CTC mode the counter is cleared to zero when the counter value (TCNT1) matches either the OCR1A (WGM13:0 = 4) or the ICR1 (WGM13:0 = 12). The OCR1A or ICR1 define the top value for the counter, hence also its resolution. This mode allows greater control of the compare match output frequency. It also simplifies the operation of counting external events.

The timing diagram for the CTC mode is shown in [Figure 17-6](#). The counter value (TCNT1) increases until a compare match occurs with either OCR1A or ICR1, and then counter (TCNT1) is cleared.

**Figure 17-6. CTC Mode, Timing Diagram**



An interrupt can be generated at each time the counter value reaches the TOP value by either using the OCF1A or ICF1 Flag according to the register used to define the TOP value. If the interrupt is enabled, the interrupt handler routine can be used for updating the TOP value. However, changing the TOP to a value close to BOTTOM when the counter is running with none or a low prescaler value must be done with care since the CTC mode does not have the double buffering feature. If the new value written to OCR1A or ICR1 is lower than the current value of TCNT1, the counter will miss the compare match. The counter will then have to count to its maximum value (0xFFFF) and wrap around starting at 0x0000 before the compare match can occur. In many cases this feature is not desirable. An alternative will then be to use the fast PWM mode using OCR1A for defining TOP (WGM13:0 = 15) since the OCR1A then will be double buffered.

For generating a waveform output in CTC mode, the OC1A output can be set to toggle its logical level on each compare match by setting the Compare Output mode bits to toggle mode (COM1A1:0 = 1). The OC1A value will not be visible on the port pin unless the data direction for the pin is set to output (DDR\_OC1A = 1). The waveform generated will have a maximum frequency of  $f_{OC1A} = f_{clk\_I/O}/2$  when OCR1A is set to zero (0x0000). The waveform frequency is defined by the following equation:

$$f_{OCnA} = \frac{f_{clk\_I/O}}{2 \cdot N \cdot (1 + OCRnA)}$$

The  $N$  variable represents the prescaler factor (1, 8, 64, 256, or 1024).

As for the Normal mode of operation, the TOV1 Flag is set in the same timer clock cycle that the counter counts from MAX to 0x0000.

### 17.9.3 Fast PWM Mode

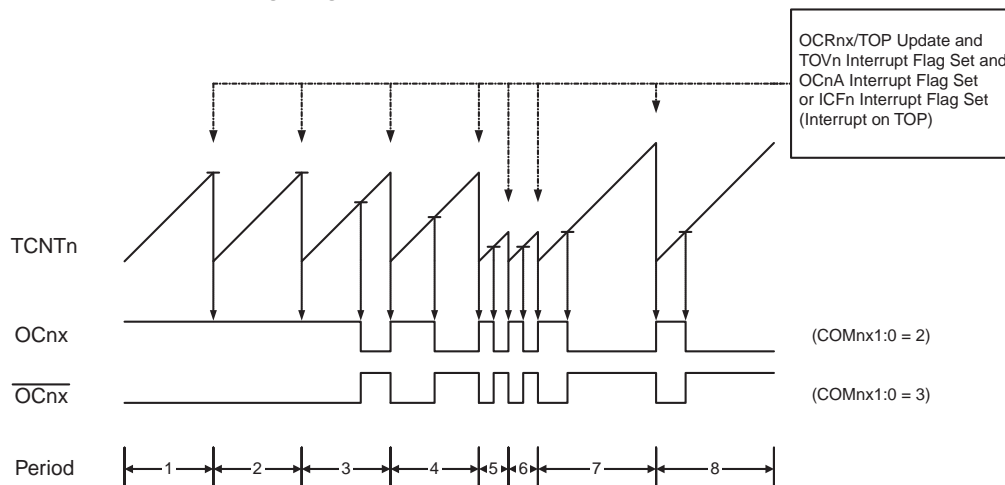
The *fast Pulse Width Modulation* or fast PWM mode (WGM13:0 = 5, 6, 7, 14, or 15) provides a high frequency PWM waveform generation option. The fast PWM differs from the other PWM options by its single-slope operation. The counter counts from BOTTOM to TOP then restarts from BOTTOM. In non-inverting Compare Output mode, the Output Compare (OC1x) is cleared on the compare match between TCNT1 and OCR1x, and set at BOTTOM. In inverting Compare Output mode output is set on compare match and cleared at BOTTOM. Due to the single-slope operation, the operating frequency of the fast PWM mode can be twice as high as the phase correct and phase and frequency correct PWM modes that use dual-slope operation. This high frequency makes the fast PWM mode well suited for power regulation, rectification, and DAC applications. High frequency allows physically small sized external components (coils, capacitors), hence reduces total system cost.

The PWM resolution for fast PWM can be fixed to 8-, 9-, or 10-bit, or defined by either ICR1 or OCR1A. The minimum resolution allowed is 2-bit (ICR1 or OCR1A set to 0x0003), and the maximum resolution is 16-bit (ICR1 or OCR1A set to MAX). The PWM resolution in bits can be calculated by using the following equation:

$$R_{FPWM} = \frac{\log(TOP + 1)}{\log(2)}$$

In fast PWM mode the counter is incremented until the counter value matches either one of the fixed values 0x00FF, 0x01FF, or 0x03FF (WGM13:0 = 5, 6, or 7), the value in ICR1 (WGM13:0 = 14), or the value in OCR1A (WGM13:0 = 15). The counter is then cleared at the following timer clock cycle. The timing diagram for the fast PWM mode is shown in Figure 17-7. The figure shows fast PWM mode when OCR1A or ICR1 is used to define TOP. The TCNT1 value is in the timing diagram shown as a histogram for illustrating the single-slope operation. The diagram includes non-inverted and inverted PWM outputs. The small horizontal line marks on the TCNT1 slopes represent compare matches between OCR1x and TCNT1. The OC1x Interrupt Flag will be set when a compare match occurs.

**Figure 17-7. Fast PWM Mode, Timing Diagram**



The Timer/Counter Overflow Flag (TOV1) is set each time the counter reaches TOP. In addition the OC1A or ICF1 Flag is set at the same timer clock cycle as TOV1 is set when either OCR1A or ICR1 is used for defining the TOP value. If one of the interrupts are enabled, the interrupt handler routine can be used for updating the TOP and compare values.

When changing the TOP value the program must ensure that the new TOP value is higher or equal to the value of all of the Compare Registers. If the TOP value is lower than any of the Compare Registers, a compare match will never occur between the TCNT1 and the OCR1x. Note that when using fixed TOP values the unused bits are masked to zero when any of the OCR1x Registers are written.

The procedure for updating ICR1 differs from updating OCR1A when used for defining the TOP value. The ICR1 Register is not double buffered. This means that if ICR1 is changed to a low value when the counter is running with none or a low prescaler value, there is a risk that the new ICR1 value written is lower than the current value of TCNT1. The result will then be that the counter will miss the compare match at the TOP value. The counter will then have to count to the MAX value (0xFFFF) and wrap around starting at 0x0000 before the compare match can occur. The OCR1A Register however, is double buffered. This feature allows the OCR1A I/O location to be written anytime. When the OCR1A I/O location is written the value written will be put into the OCR1A Buffer Register. The OCR1A Compare Register will then be updated with the value in the Buffer Register at the next timer clock cycle the TCNT1 matches TOP. The update is done at the same timer clock cycle as the TCNT1 is cleared and the TOV1 Flag is set.

Using the ICR1 Register for defining TOP works well when using fixed TOP values. By using ICR1, the OCR1A Register is free to be used for generating a PWM output on OC1A. However, if the base PWM frequency is actively changed (by changing the TOP value), using the OCR1A as TOP is clearly a better choice due to its double buffer feature.

In fast PWM mode, the compare units allow generation of PWM waveforms on the OC1x pins. Setting the COM1x1:0 bits to two will produce a inverted PWM and a non-inverted PWM output can be generated by setting the COM1x1:0 to three (see Table 17-3 on page 139). The actual OC1x value will only be visible on the port pin if

the data direction for the port pin is set as output (DDR\_OC1x). The PWM waveform is generated by setting (or clearing) the OC1x Register at the compare match between OCR1x and TCNT1, and clearing (or setting) the OC1x Register at the timer clock cycle the counter is cleared (changes from TOP to BOTTOM).

The PWM frequency for the output can be calculated by the following equation:

$$f_{OCnxPWM} = \frac{f_{clk\_I/O}}{N \cdot (1 + TOP)}$$

The N variable represents the prescaler divider (1, 8, 64, 256, or 1024).

The extreme values for the OCR1x Register represents special cases when generating a PWM waveform output in the fast PWM mode. If the OCR1x is set equal to BOTTOM (0x0000) the output will be a narrow spike for each TOP+1 timer clock cycle. Setting the OCR1x equal to TOP will result in a constant high or low output (depending on the polarity of the output set by the COM1x1:0 bits.)

A frequency (with 50% duty cycle) waveform output in fast PWM mode can be achieved by setting OC1A to toggle its logical level on each compare match (COM1A1:0 = 1). This applies only if OCR1A is used to define the TOP value (WGM13:0 = 15). The waveform generated will have a maximum frequency of  $f_{OC1A} = f_{clk\_I/O}/2$  when OCR1A is set to zero (0x0000). This feature is similar to the OC1A toggle in CTC mode, except the double buffer feature of the Output Compare unit is enabled in the fast PWM mode.

#### 17.9.4 Phase Correct PWM Mode

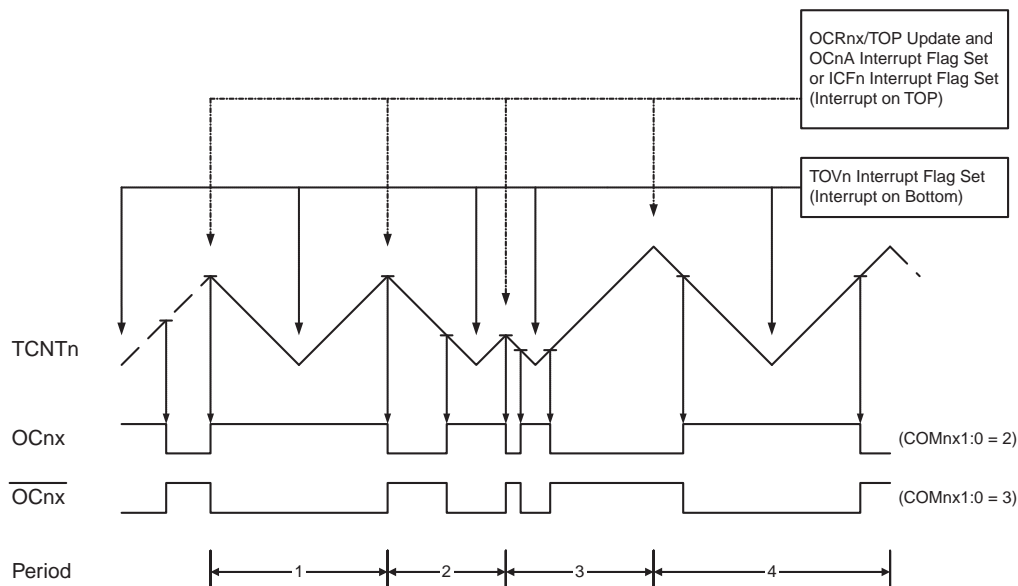
The *phase correct Pulse Width Modulation* or phase correct PWM mode (WGM13:0 = 1, 2, 3, 10, or 11) provides a high resolution phase correct PWM waveform generation option. The phase correct PWM mode is, like the phase and frequency correct PWM mode, based on a dual-slope operation. The counter counts repeatedly from BOTTOM (0x0000) to TOP and then from TOP to BOTTOM. In non-inverting Compare Output mode, the Output Compare (OC1x) is cleared on the compare match between TCNT1 and OCR1x while upcounting, and set on the compare match while downcounting. In inverting Output Compare mode, the operation is inverted. The dual-slope operation has lower maximum operation frequency than single slope operation. However, due to the symmetric feature of the dual-slope PWM modes, these modes are preferred for motor control applications.

The PWM resolution for the phase correct PWM mode can be fixed to 8-, 9-, or 10-bit, or defined by either ICR1 or OCR1A. The minimum resolution allowed is 2-bit (ICR1 or OCR1A set to 0x0003), and the maximum resolution is 16-bit (ICR1 or OCR1A set to MAX). The PWM resolution in bits can be calculated by using the following equation:

$$R_{PCPWM} = \frac{\log(TOP + 1)}{\log(2)}$$

In phase correct PWM mode the counter is incremented until the counter value matches either one of the fixed values 0x00FF, 0x01FF, or 0x03FF (WGM13:0 = 1, 2, or 3), the value in ICR1 (WGM13:0 = 10), or the value in OCR1A (WGM13:0 = 11). The counter has then reached the TOP and changes the count direction. The TCNT1 value will be equal to TOP for one timer clock cycle. The timing diagram for the phase correct PWM mode is shown on [Figure 17-8 on page 133](#). The figure shows phase correct PWM mode when OCR1A or ICR1 is used to define TOP. The TCNT1 value is in the timing diagram shown as a histogram for illustrating the dual-slope operation. The diagram includes non-inverted and inverted PWM outputs. The small horizontal line marks on the TCNT1 slopes represent compare matches between OCR1x and TCNT1. The OC1x Interrupt Flag will be set when a compare match occurs.

**Figure 17-8. Phase Correct PWM Mode, Timing Diagram**



The Timer/Counter Overflow Flag (TOV1) is set each time the counter reaches BOTTOM. When either OCR1A or ICR1 is used for defining the TOP value, the OC1A or ICF1 Flag is set accordingly at the same timer clock cycle as the OCR1x Registers are updated with the double buffer value (at TOP). The Interrupt Flags can be used to generate an interrupt each time the counter reaches the TOP or BOTTOM value.

When changing the TOP value the program must ensure that the new TOP value is higher or equal to the value of all of the Compare Registers. If the TOP value is lower than any of the Compare Registers, a compare match will never occur between the TCNT1 and the OCR1x. Note that when using fixed TOP values, the unused bits are masked to zero when any of the OCR1x Registers are written. As the third period shown in [Figure 17-8 on page 133](#) illustrates, changing the TOP actively while the Timer/Counter is running in the phase correct mode can result in an unsymmetrical output. The reason for this can be found in the time of update of the OCR1x Register. Since the OCR1x update occurs at TOP, the PWM period starts and ends at TOP. This implies that the length of the falling slope is determined by the previous TOP value, while the length of the rising slope is determined by the new TOP value. When these two values differ the two slopes of the period will differ in length. The difference in length gives the unsymmetrical result on the output.

It is recommended to use the phase and frequency correct mode instead of the phase correct mode when changing the TOP value while the Timer/Counter is running. When using a static TOP value there are practically no differences between the two modes of operation.

In phase correct PWM mode, the compare units allow generation of PWM waveforms on the OC1x pins. Setting the COM1x1:0 bits to two will produce a non-inverted PWM and an inverted PWM output can be generated by setting the COM1x1:0 to three (See [Table 17-3 on page 139](#)). The actual OC1x value will only be visible on the port pin if the data direction for the port pin is set as output (DDR\_OC1x). The PWM waveform is generated by setting (or clearing) the OC1x Register at the compare match between OCR1x and TCNT1 when the counter increments, and clearing (or setting) the OC1x Register at compare match between OCR1x and TCNT1 when the counter decrements. The PWM frequency for the output when using phase correct PWM can be calculated by the following equation:

$$f_{OCnxPCPWM} = \frac{f_{clk\_I/O}}{2 \cdot N \cdot TOP}$$

The N variable represents the prescaler divider (1, 8, 64, 256, or 1024).

The extreme values for the OCR1x Register represent special cases when generating a PWM waveform output in the phase correct PWM mode. If the OCR1x is set equal to BOTTOM the output will be continuously low and if set equal to TOP the output will be continuously high for non-inverted PWM mode. For inverted PWM the output will have the opposite logic values. If OCR1A is used to define the TOP value (WGM13:0 = 11) and COM1A1:0 = 1, the OC1A output will toggle with a 50% duty cycle.

## 17.9.5 Phase and Frequency Correct PWM Mode

The *phase and frequency correct Pulse Width Modulation*, or phase and frequency correct PWM mode (WGM13:0 = 8 or 9) provides a high resolution phase and frequency correct PWM waveform generation option. The phase and frequency correct PWM mode is, like the phase correct PWM mode, based on a dual-slope operation. The counter counts repeatedly from BOTTOM (0x0000) to TOP and then from TOP to BOTTOM. In non-inverting Compare Output mode, the Output Compare (OC1x) is cleared on the compare match between TCNT1 and OCR1x while upcounting, and set on the compare match while downcounting. In inverting Compare Output mode, the operation is inverted. The dual-slope operation gives a lower maximum operation frequency compared to the single-slope operation. However, due to the symmetric feature of the dual-slope PWM modes, these modes are preferred for motor control applications.

The main difference between the phase correct, and the phase and frequency correct PWM mode is the time the OCR1x Register is updated by the OCR1x Buffer Register, (see [Figure 17-8 on page 133](#) and [Figure 17-9 on page 135](#)).

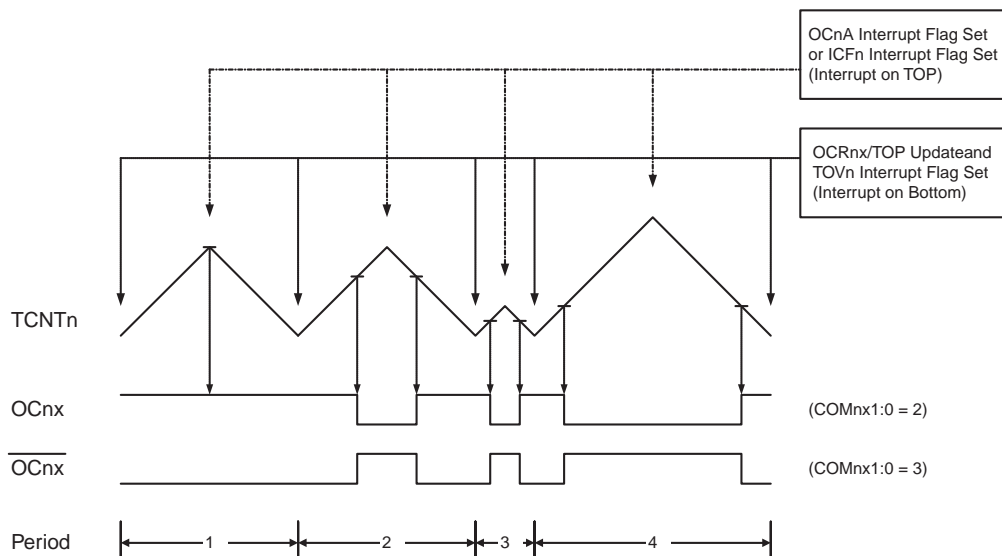
The PWM resolution for the phase and frequency correct PWM mode can be defined by either ICR1 or OCR1A. The minimum resolution allowed is 2-bit (ICR1 or OCR1A set to 0x0003), and the maximum resolution is 16-bit (ICR1 or OCR1A set to MAX). The PWM resolution in bits can be calculated using the following equation:

$$R_{PFCPWM} = \frac{\log(TOP + 1)}{\log(2)}$$

In phase and frequency correct PWM mode the counter is incremented until the counter value matches either the value in ICR1 (WGM13:0 = 8), or the value in OCR1A (WGM13:0 = 9). The counter has then reached the TOP and changes the count direction. The TCNT1 value will be equal to TOP for one timer clock cycle. The timing diagram for the phase correct and frequency correct PWM mode is shown on [Figure 17-9 on page 135](#). The figure shows phase and frequency correct PWM mode when OCR1A or ICR1 is used to define TOP. The TCNT1 value is in the timing diagram shown as a histogram for illustrating the dual-slope operation. The diagram includes non-inverted and inverted PWM outputs. The small horizontal line marks on the TCNT1 slopes represent compare matches between OCR1x and TCNT1. The OC1x Interrupt Flag will be set when a compare match occurs.



**Figure 17-9. Phase and Frequency Correct PWM Mode, Timing Diagram**



The Timer/Counter Overflow Flag (TOV1) is set at the same timer clock cycle as the OCR1x Registers are updated with the double buffer value (at BOTTOM). When either OCR1A or ICR1 is used for defining the TOP value, the OC1A or ICF1 Flag set when TCNT1 has reached TOP. The Interrupt Flags can then be used to generate an interrupt each time the counter reaches the TOP or BOTTOM value.

When changing the TOP value the program must ensure that the new TOP value is higher or equal to the value of all of the Compare Registers. If the TOP value is lower than any of the Compare Registers, a compare match will never occur between the TCNT1 and the OCR1x.

As [Figure 17-9](#) shows the output generated is, in contrast to the phase correct mode, symmetrical in all periods. Since the OCR1x Registers are updated at BOTTOM, the length of the rising and the falling slopes will always be equal. This gives symmetrical output pulses and is therefore frequency correct.

Using the ICR1 Register for defining TOP works well when using fixed TOP values. By using ICR1, the OCR1A Register is free to be used for generating a PWM output on OC1A. However, if the base PWM frequency is actively changed by changing the TOP value, using the OCR1A as TOP is clearly a better choice due to its double buffer feature.

In phase and frequency correct PWM mode, the compare units allow generation of PWM waveforms on the OC1x pins. Setting the COM1x1:0 bits to two will produce a non-inverted PWM and an inverted PWM output can be generated by setting the COM1x1:0 to three (See [Table 17-3 on page 139](#)). The actual OC1x value will only be visible on the port pin if the data direction for the port pin is set as output (DDR\_OC1x). The PWM waveform is generated by setting (or clearing) the OC1x Register at the compare match between OCR1x and TCNT1 when the counter increments, and clearing (or setting) the OC1x Register at compare match between OCR1x and TCNT1 when the counter decrements. The PWM frequency for the output when using phase and frequency correct PWM can be calculated by the following equation:

$$f_{OCnxPFCPWM} = \frac{f_{clk\ I/O}}{2 \cdot N \cdot TOP}$$

The N variable represents the prescaler divider (1, 8, 64, 256, or 1024).

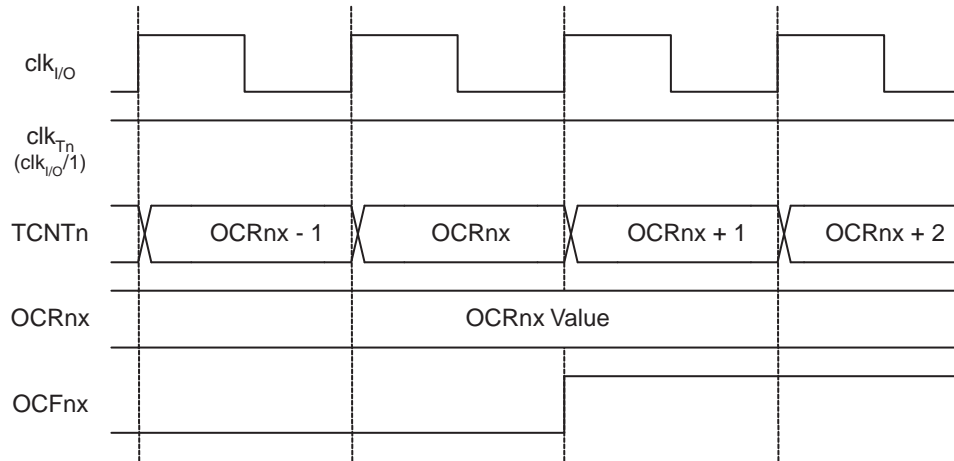
The extreme values for the OCR1x Register represents special cases when generating a PWM waveform output in the phase correct PWM mode. If the OCR1x is set equal to BOTTOM the output will be continuously low and if set equal to TOP the output will be set to high for non-inverted PWM mode. For inverted PWM the output will have the

opposite logic values. If OCR1A is used to define the TOP value ( $WGM13:0 = 9$ ) and  $COM1A1:0 = 1$ , the OC1A output will toggle with a 50% duty cycle.

## 17.10 Timer/Counter Timing Diagrams

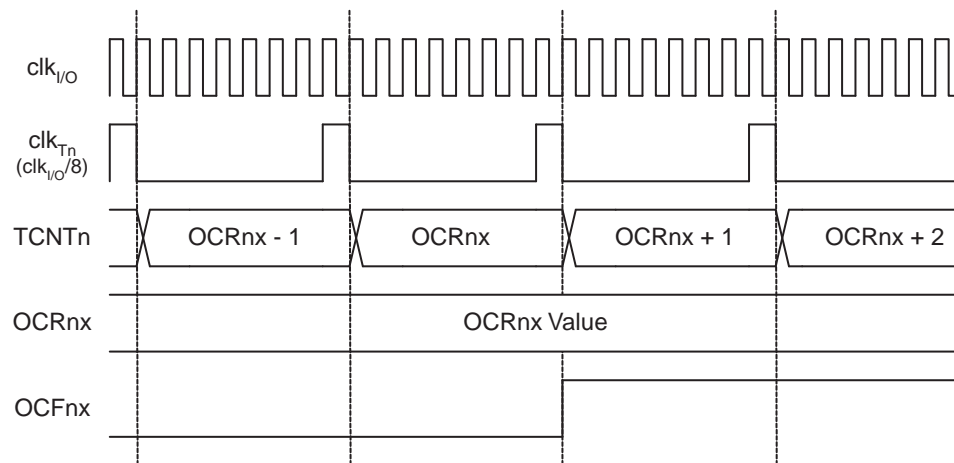
The Timer/Counter is a synchronous design and the timer clock ( $clk_{Tn}$ ) is therefore shown as a clock enable signal in the following figures. The figures include information on when Interrupt Flags are set, and when the OCR1x Register is updated with the OCR1x buffer value (only for modes utilizing double buffering). [Figure 17-10](#) shows a timing diagram for the setting of OCF1x.

**Figure 17-10. Timer/Counter Timing Diagram, Setting of OCF1x, no Prescaling**



[Figure 17-11](#) shows the same timing data, but with the prescaler enabled.

**Figure 17-11. Timer/Counter Timing Diagram, Setting of OCF1x, with Prescaler ( $f_{clk_{I/O}}/8$ )**



[Figure 17-12 on page 137](#) shows the count sequence close to TOP in various modes. When using phase and frequency correct PWM mode the OCR1x Register is updated at BOTTOM. The timing diagrams will be the same, but TOP should be replaced by BOTTOM, TOP-1 by BOTTOM+1 and so on. The same renaming applies for modes that set the TOV1 Flag at BOTTOM.



**Figure 17-12. Timer/Counter Timing Diagram, no Prescaling.**

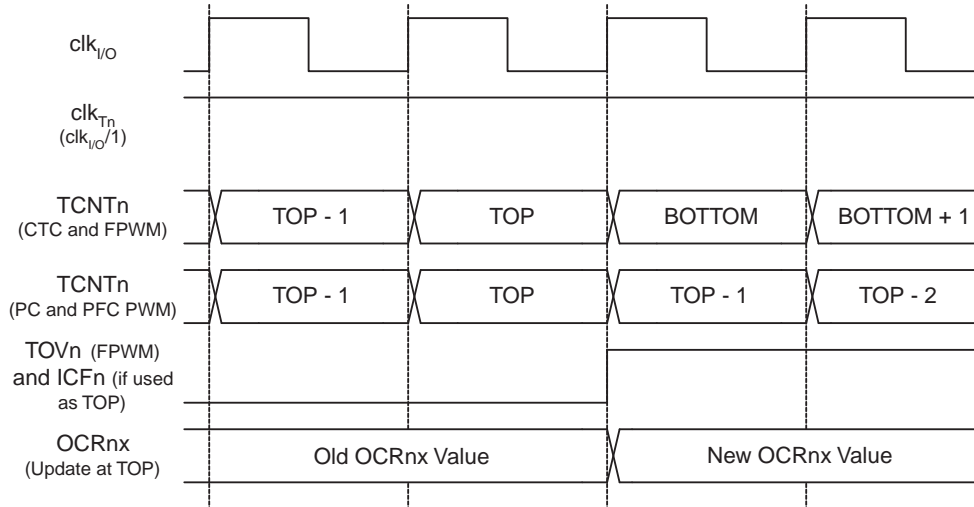
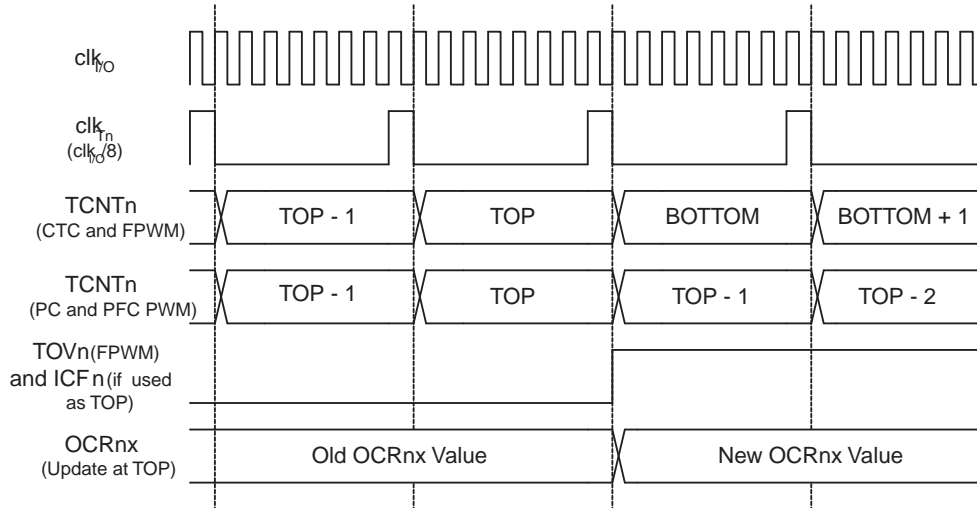


Figure 17-13 shows the same timing data, but with the prescaler enabled.

**Figure 17-13. Timer/Counter Timing Diagram, with Prescaler ( $f_{clk_{I/O}}/8$ )**



## 17.11 Register Description

### 17.11.1 TCCR1A – Timer/Counter1 Control Register A

|               |               |               |               |               |   |   |              |              |               |
|---------------|---------------|---------------|---------------|---------------|---|---|--------------|--------------|---------------|
| Bit           | 7             | 6             | 5             | 4             | 3 | 2 | 1            | 0            |               |
| (0x80)        | <b>COM1A1</b> | <b>COM1A0</b> | <b>COM1B1</b> | <b>COM1B0</b> | – | – | <b>WGM11</b> | <b>WGM10</b> | <b>TCCR1A</b> |
| Read/Write    | R/W           | R/W           | R/W           | R/W           | R | R | R/W          | R/W          |               |
| Initial Value | 0             | 0             | 0             | 0             | 0 | 0 | 0            | 0            |               |

- **Bit 7:6 – COM1A1:0: Compare Output Mode for Channel A**

- **Bit 5:4 – COM1B1:0: Compare Output Mode for Channel B**

The COM1A1:0 and COM1B1:0 control the Output Compare pins (OC1A and OC1B respectively) behavior. If one or both of the COM1A1:0 bits are written to one, the OC1A output overrides the normal port functionality of the I/O pin it is connected to. If one or both of the COM1B1:0 bit are written to one, the OC1B output overrides the normal port functionality of the I/O pin it is connected to. However, note that the *Data Direction Register* (DDR) bit corresponding to the OC1A or OC1B pin must be set in order to enable the output driver.

When the OC1A or OC1B is connected to the pin, the function of the COM1x1:0 bits is dependent of the WGM13:0 bits setting. [Table 17-1](#) shows the COM1x1:0 bit functionality when the WGM13:0 bits are set to a Normal or a CTC mode (non-PWM).

**Table 17-1. Compare Output Mode, non-PWM**

| COM1A1/COM1B1 | COM1A0/COM1B0 | Description   |
|---------------|---------------|---|
| 0             | 0             | Normal port operation, OC1A/OC1B disconnected.              |
| 0             | 1             | Toggle OC1A/OC1B on Compare Match.                          |
| 1             | 0             | Clear OC1A/OC1B on Compare Match (Set output to low level). |
| 1             | 1             | Set OC1A/OC1B on Compare Match (Set output to high level).  |

[Table 17-2](#) shows the COM1x1:0 bit functionality when the WGM13:0 bits are set to the fast PWM mode.

**Table 17-2. Compare Output Mode, Fast PWM<sup>(1)</sup>**

| COM1A1/COM1B1 | COM1A0/COM1B0 | Description  |
|---------------|---------------|--|
| 0             | 0             | Normal port operation, OC1A/OC1B disconnected.   |
| 0             | 1             | WGM13:0 = 14 or 15: Toggle OC1A on Compare Match, OC1B disconnected (normal port operation). For all other WGM1 settings, normal port operation, OC1A/OC1B disconnected. |
| 1             | 0             | Clear OC1A/OC1B on Compare Match, set OC1A/OC1B at BOTTOM (non-inverting mode)   |
| 1             | 1             | Set OC1A/OC1B on Compare Match, clear OC1A/OC1B at BOTTOM (inverting mode)   |

Note: 1. A special case occurs when OCR1A/OCR1B equals TOP and COM1A1/COM1B1 is set. In this case the compare match is ignored, but the set or clear is done at BOTTOM. See ["Fast PWM Mode" on page 130](#) for more details.

[Table 17-3](#) shows the COM1x1:0 bit functionality when the WGM13:0 bits are set to the phase correct or the phase and frequency correct, PWM mode.

**Table 17-3. Compare Output Mode, Phase Correct and Phase and Frequency Correct PWM<sup>(1)</sup>**

| COM1A1/COM1B1 | COM1A0/COM1B0 | Description   |
|---------------|---------------|---|
| 0             | 0             | Normal port operation, OC1A/OC1B disconnected.  |
| 0             | 1             | WGM13:0 = 9 or 11: Toggle OC1A on Compare Match, OC1B disconnected (normal port operation). For all other WGM1 settings, normal port operation, OC1A/OC1B disconnected. |
| 1             | 0             | Clear OC1A/OC1B on Compare Match when up-counting. Set OC1A/OC1B on Compare Match when down-counting.   |
| 1             | 1             | Set OC1A/OC1B on Compare Match when up-counting. Clear OC1A/OC1B on Compare Match when down-counting.   |

Note: 1. A special case occurs when OCR1A/OCR1B equals TOP and COM1A1/COM1B1 is set. See ["Phase Correct PWM Mode" on page 132](#) for more details.

• **Bit 1:0 – WGM11:0: Waveform Generation Mode**

Combined with the WGM13:2 bits found in the TCCR1B Register, these bits control the counting sequence of the counter, the source for maximum (TOP) counter value, and what type of waveform generation to be used, see [Table 17-4](#). Modes of operation supported by the Timer/Counter unit are: Normal mode (counter), Clear Timer on Compare match (CTC) mode, and three types of Pulse Width Modulation (PWM) modes. (See ["Modes of Operation" on page 129](#)).

**Table 17-4. Waveform Generation Mode Bit Description<sup>(1)</sup>**

| Mode | WGM13 | WGM12 (CTC1) | WGM11 (PWM11) | WGM10 (PWM10) | Timer/Counter Mode of Operation  | TOP    | Update of OCR1x at | TOV1 Flag Set on |
|------|-------|--------------|---------------|---------------|----------------------------------|--------|--------------------|------------------|
| 0    | 0     | 0            | 0             | 0             | Normal                           | 0xFFFF | Immediate          | MAX              |
| 1    | 0     | 0            | 0             | 1             | PWM, Phase Correct, 8-bit        | 0x00FF | TOP                | BOTTOM           |
| 2    | 0     | 0            | 1             | 0             | PWM, Phase Correct, 9-bit        | 0x01FF | TOP                | BOTTOM           |
| 3    | 0     | 0            | 1             | 1             | PWM, Phase Correct, 10-bit       | 0x03FF | TOP                | BOTTOM           |
| 4    | 0     | 1            | 0             | 0             | CTC                              | OCR1A  | Immediate          | MAX              |
| 5    | 0     | 1            | 0             | 1             | Fast PWM, 8-bit                  | 0x00FF | BOTTOM             | TOP              |
| 6    | 0     | 1            | 1             | 0             | Fast PWM, 9-bit                  | 0x01FF | BOTTOM             | TOP              |
| 7    | 0     | 1            | 1             | 1             | Fast PWM, 10-bit                 | 0x03FF | BOTTOM             | TOP              |
| 8    | 1     | 0            | 0             | 0             | PWM, Phase and Frequency Correct | ICR1   | BOTTOM             | BOTTOM           |
| 9    | 1     | 0            | 0             | 1             | PWM, Phase and Frequency Correct | OCR1A  | BOTTOM             | BOTTOM           |
| 10   | 1     | 0            | 1             | 0             | PWM, Phase Correct               | ICR1   | TOP                | BOTTOM           |
| 11   | 1     | 0            | 1             | 1             | PWM, Phase Correct               | OCR1A  | TOP                | BOTTOM           |
| 12   | 1     | 1            | 0             | 0             | CTC                              | ICR1   | Immediate          | MAX              |
| 13   | 1     | 1            | 0             | 1             | (Reserved)                       | –      | –                  | –                |
| 14   | 1     | 1            | 1             | 0             | Fast PWM                         | ICR1   | BOTTOM             | TOP              |
| 15   | 1     | 1            | 1             | 1             | Fast PWM                         | OCR1A  | BOTTOM             | TOP              |

Note: 1. The CTC1 and PWM11:0 bit definition names are obsolete. Use the WGM12:0 definitions. However, the functionality and location of these bits are compatible with previous versions of the timer.

## 17.11.2 TCCR1B – Timer/Counter1 Control Register B

| Bit           | 7            | 6            | 5 | 4            | 3            | 2           | 1           | 0           |        |
|---------------|--------------|--------------|---|--------------|--------------|-------------|-------------|-------------|--------|
| (0x81)        | <b>ICNC1</b> | <b>ICES1</b> | – | <b>WGM13</b> | <b>WGM12</b> | <b>CS12</b> | <b>CS11</b> | <b>CS10</b> | TCCR1B |
| Read/Write    | R/W          | R/W          | R | R/W          | R/W          | R/W         | R/W         | R/W         |        |
| Initial Value | 0            | 0            | 0 | 0            | 0            | 0           | 0           | 0           |        |

- **Bit 7 – ICNC1: Input Capture Noise Canceler**

Setting this bit (to one) activates the Input Capture Noise Canceler. When the noise canceler is activated, the input from the Input Capture pin (ICP1) is filtered. The filter function requires four successive equal valued samples of the ICP1 pin for changing its output. The Input Capture is therefore delayed by four Oscillator cycles when the noise canceler is enabled.

- **Bit 6 – ICES1: Input Capture Edge Select**

This bit selects which edge on the Input Capture pin (ICP1) that is used to trigger a capture event. When the ICES1 bit is written to zero, a falling (negative) edge is used as trigger, and when the ICES1 bit is written to one, a rising (positive) edge will trigger the capture.

When a capture is triggered according to the ICES1 setting, the counter value is copied into the Input Capture Register (ICR1). The event will also set the Input Capture Flag (ICF1), and this can be used to cause an Input Capture Interrupt, if this interrupt is enabled.

When the ICR1 is used as TOP value (see description of the WGM13:0 bits located in the TCCR1A and the TCCR1B Register), the ICP1 is disconnected and consequently the Input Capture function is disabled.

- **Bit 5 – Reserved**

This bit is reserved for future use. For ensuring compatibility with future devices, this bit must be written to zero when TCCR1B is written.

- **Bit 4:3 – WGM13:2: Waveform Generation Mode**

See TCCR1A Register description.

- **Bit 2:0 – CS12:0: Clock Select**

The three Clock Select bits select the clock source to be used by the Timer/Counter, see [Figure 17-10 on page 136](#) and [Figure 17-11 on page 136](#).

**Table 17-5. Clock Select Bit Description**

| CS12 | CS11 | CS10 | Description   |
|------|------|------|---|
| 0    | 0    | 0    | No clock source (Timer/Counter stopped).                |
| 0    | 0    | 1    | $clk_{I/O}/1$ (No prescaling)                           |
| 0    | 1    | 0    | $clk_{I/O}/8$ (From prescaler)                          |
| 0    | 1    | 1    | $clk_{I/O}/64$ (From prescaler)                         |
| 1    | 0    | 0    | $clk_{I/O}/256$ (From prescaler)                        |
| 1    | 0    | 1    | $clk_{I/O}/1024$ (From prescaler)                       |
| 1    | 1    | 0    | External clock source on T1 pin. Clock on falling edge. |
| 1    | 1    | 1    | External clock source on T1 pin. Clock on rising edge.  |

If external pin modes are used for the Timer/Counter1, transitions on the T1 pin will clock the counter even if the pin is configured as an output. This feature allows software control of the counting.

### 17.11.3 TCCR1C – Timer/Counter1 Control Register C

| Bit           | 7   | 6   | 5 | 4 | 3 | 2 | 1 | 0 |        |
|---------------|---|-----|---|---|---|---|---|---|--------|
| (0x82)        | <div style="display: flex; justify-content: space-between; padding: 2px;"> <span style="border: 1px solid black; padding: 2px;">FOC1A</span> <span style="border: 1px solid black; padding: 2px;">FOC1B</span> <span style="border: 1px solid black; padding: 2px;">–</span> <span style="border: 1px solid black; padding: 2px;">–</span> <span style="border: 1px solid black; padding: 2px;">–</span> <span style="border: 1px solid black; padding: 2px;">–</span> <span style="border: 1px solid black; padding: 2px;">–</span> <span style="border: 1px solid black; padding: 2px;">–</span> </div> |     |   |   |   |   |   |   | TCCR1C |
| Read/Write    | R/W   | R/W | R | R | R | R | R | R | R      |
| Initial Value | 0   | 0   | 0 | 0 | 0 | 0 | 0 | 0 |        |

- **Bit 7 – FOC1A: Force Output Compare for Channel A**

- **Bit 6 – FOC1B: Force Output Compare for Channel B**

The FOC1A/FOC1B bits are only active when the WGM13:0 bits specifies a non-PWM mode. When writing a logical one to the FOC1A/FOC1B bit, an immediate compare match is forced on the Waveform Generation unit. The OC1A/OC1B output is changed according to its COM1x1:0 bits setting. Note that the FOC1A/FOC1B bits are implemented as strobes. Therefore it is the value present in the COM1x1:0 bits that determine the effect of the forced compare.

A FOC1A/FOC1B strobe will not generate any interrupt nor will it clear the timer in Clear Timer on Compare match (CTC) mode using OCR1A as TOP. The FOC1A/FOC1B bits are always read as zero.

### 17.11.4 TCNT1H and TCNT1L – Timer/Counter1

| Bit           | 7   | 6   | 5   | 4   | 3   | 2   | 1   | 0   |        |
|---------------|---|-----|-----|-----|-----|-----|-----|-----|--------|
| (0x85)        | <div style="display: flex; justify-content: space-between; padding: 2px;"> <span style="border: 1px solid black; padding: 2px;">TCNT1[15:8]</span> </div> |     |     |     |     |     |     |     | TCNT1H |
| (0x84)        | <div style="display: flex; justify-content: space-between; padding: 2px;"> <span style="border: 1px solid black; padding: 2px;">TCNT1[7:0]</span> </div>  |     |     |     |     |     |     |     | TCNT1L |
| Read/Write    | R/W   | R/W | R/W | R/W | R/W | R/W | R/W | R/W | R/W    |
| Initial Value | 0   | 0   | 0   | 0   | 0   | 0   | 0   | 0   |        |

The two *Timer/Counter I/O* locations (TCNT1H and TCNT1L, combined TCNT1) give direct access, both for read and for write operations, to the Timer/Counter unit 16-bit counter. To ensure that both the high and low bytes are read and written simultaneously when the CPU accesses these registers, the access is performed using an 8-bit temporary High Byte Register (TEMP). This temporary register is shared by all the other 16-bit registers. See ["Accessing 16-bit Registers" on page 120](#).

Modifying the counter (TCNT1) while the counter is running introduces a risk of missing a compare match between TCNT1 and one of the OCR1x Registers.

Writing to the TCNT1 Register blocks (removes) the compare match on the following timer clock for all compare units.

### 17.11.5 OCR1AH and OCR1AL – Output Compare Register 1 A

| Bit           | 7   | 6   | 5   | 4   | 3   | 2   | 1   | 0   |        |
|---------------|---|-----|-----|-----|-----|-----|-----|-----|--------|
| (0x89)        | <div style="display: flex; justify-content: space-between; padding: 2px;"> <span style="border: 1px solid black; padding: 2px;">OCR1A[15:8]</span> </div> |     |     |     |     |     |     |     | OCR1AH |
| (0x88)        | <div style="display: flex; justify-content: space-between; padding: 2px;"> <span style="border: 1px solid black; padding: 2px;">OCR1A[7:0]</span> </div>  |     |     |     |     |     |     |     | OCR1AL |
| Read/Write    | R/W   | R/W | R/W | R/W | R/W | R/W | R/W | R/W | R/W    |
| Initial Value | 0   | 0   | 0   | 0   | 0   | 0   | 0   | 0   |        |

### 17.11.6 OCR1BH and OCR1BL – Output Compare Register 1 B

| Bit           | 7   | 6   | 5   | 4   | 3   | 2   | 1   | 0   |        |
|---------------|---|-----|-----|-----|-----|-----|-----|-----|--------|
| (0x8B)        | <div style="display: flex; justify-content: space-between; padding: 2px;"> <span style="border: 1px solid black; padding: 2px;">OCR1B[15:8]</span> </div> |     |     |     |     |     |     |     | OCR1BH |
| (0x8A)        | <div style="display: flex; justify-content: space-between; padding: 2px;"> <span style="border: 1px solid black; padding: 2px;">OCR1B[7:0]</span> </div>  |     |     |     |     |     |     |     | OCR1BL |
| Read/Write    | R/W   | R/W | R/W | R/W | R/W | R/W | R/W | R/W | R/W    |
| Initial Value | 0   | 0   | 0   | 0   | 0   | 0   | 0   | 0   |        |

The Output Compare Registers contain a 16-bit value that is continuously compared with the counter value (TCNT1). A match can be used to generate an Output Compare interrupt, or to generate a waveform output on the OC1x pin.

The Output Compare Registers are 16-bit in size. To ensure that both the high and low bytes are written simultaneously when the CPU writes to these registers, the access is performed using an 8-bit temporary High Byte Register (TEMP). This temporary register is shared by all the other 16-bit registers. See ["Accessing 16-bit Registers" on page 120](#).

### 17.11.7 ICR1H and ICR1L – Input Capture Register 1

|               |            |     |     |     |     |     |     |     |       |
|---------------|------------|-----|-----|-----|-----|-----|-----|-----|-------|
| Bit           | 7          | 6   | 5   | 4   | 3   | 2   | 1   | 0   |       |
| (0x87)        | ICR1[15:8] |     |     |     |     |     |     |     | ICR1H |
| (0x86)        | ICR1[7:0]  |     |     |     |     |     |     |     | ICR1L |
| Read/Write    | R/W        | R/W | R/W | R/W | R/W | R/W | R/W | R/W |       |
| Initial Value | 0          | 0   | 0   | 0   | 0   | 0   | 0   | 0   |       |

The Input Capture is updated with the counter (TCNT1) value each time an event occurs on the ICP1 pin (or optionally on the Analog Comparator output for Timer/Counter1). The Input Capture can be used for defining the counter TOP value.

The Input Capture Register is 16-bit in size. To ensure that both the high and low bytes are read simultaneously when the CPU accesses these registers, the access is performed using an 8-bit temporary High Byte Register (TEMP). This temporary register is shared by all the other 16-bit registers. See ["Accessing 16-bit Registers" on page 120](#).

### 17.11.8 TIMSK1 – Timer/Counter1 Interrupt Mask Register

|               |   |   |       |   |   |        |        |       |        |
|---------------|---|---|-------|---|---|--------|--------|-------|--------|
| Bit           | 7 | 6 | 5     | 4 | 3 | 2      | 1      | 0     |        |
| (0x6F)        | – | – | ICIE1 | – | – | OCIE1B | OCIE1A | TOIE1 | TIMSK1 |
| Read/Write    | R | R | R/W   | R | R | R/W    | R/W    | R/W   |        |
| Initial Value | 0 | 0 | 0     | 0 | 0 | 0      | 0      | 0     |        |

- **Bit 7, 6 – Reserved**

These bits are unused bits in the ATmega48PB/88PB/168PB, and will always read as zero.

- **Bit 5 – ICIE1: Timer/Counter1, Input Capture Interrupt Enable**

When this bit is written to one, and the I-flag in the Status Register is set (interrupts globally enabled), the Timer/Counter1 Input Capture interrupt is enabled. The corresponding Interrupt Vector ([see "Interrupts" on page 65](#)) is executed when the ICF1 Flag, located in TIFR1, is set.

- **Bit 4, 3 – Reserved**

These bits are unused bits in the ATmega48PB/88PB/168PB, and will always read as zero.

- **Bit 2 – OCIE1B: Timer/Counter1, Output Compare B Match Interrupt Enable**

When this bit is written to one, and the I-flag in the Status Register is set (interrupts globally enabled), the Timer/Counter1 Output Compare B Match interrupt is enabled. The corresponding Interrupt Vector ([see "Interrupts" on page 65](#)) is executed when the OCF1B Flag, located in TIFR1, is set.

- **Bit 1 – OCIE1A: Timer/Counter1, Output Compare A Match Interrupt Enable**

When this bit is written to one, and the I-flag in the Status Register is set (interrupts globally enabled), the Timer/Counter1 Output Compare A Match interrupt is enabled. The corresponding Interrupt Vector ([see "Interrupts" on page 65](#)) is executed when the OCF1A Flag, located in TIFR1, is set.

- **Bit 0 – TOIE1: Timer/Counter1, Overflow Interrupt Enable**

When this bit is written to one, and the I-flag in the Status Register is set (interrupts globally enabled), the Timer/Counter1 Overflow interrupt is enabled. The corresponding Interrupt Vector (See ["Interrupts" on page 65](#)) is executed when the TOV1 Flag, located in TIFR1, is set.

### 17.11.9 TIFR1 – Timer/Counter1 Interrupt Flag Register

| Bit           | 7 | 6 | 5    | 4 | 3 | 2     | 1     | 0    |       |
|---------------|---|---|------|---|---|-------|-------|------|-------|
| 0x16 (0x36)   | – | – | ICF1 | – | – | OCF1B | OCF1A | TOV1 | TIFR1 |
| Read/Write    | R | R | R/W  | R | R | R/W   | R/W   | R/W  |       |
| Initial Value | 0 | 0 | 0    | 0 | 0 | 0     | 0     | 0    |       |

- **Bit 7, 6 – Reserved**

These bits are unused bits in the ATmega48PB/88PB/168PB, and will always read as zero.

- **Bit 5 – ICF1: Timer/Counter1, Input Capture Flag**

This flag is set when a capture event occurs on the ICP1 pin. When the Input Capture Register (ICR1) is set by the WGM13:0 to be used as the TOP value, the ICF1 Flag is set when the counter reaches the TOP value.

ICF1 is automatically cleared when the Input Capture Interrupt Vector is executed. Alternatively, ICF1 can be cleared by writing a logic one to its bit location.

- **Bit 4, 3 – Reserved**

These bits are unused bits in the ATmega48PB/88PB/168PB, and will always read as zero.

- **Bit 2 – OCF1B: Timer/Counter1, Output Compare B Match Flag**

This flag is set in the timer clock cycle after the counter (TCNT1) value matches the Output Compare Register B (OCR1B).

Note that a Forced Output Compare (FOC1B) strobe will not set the OCF1B Flag.

OCF1B is automatically cleared when the Output Compare Match B Interrupt Vector is executed. Alternatively, OCF1B can be cleared by writing a logic one to its bit location.

- **Bit 1 – OCF1A: Timer/Counter1, Output Compare A Match Flag**

This flag is set in the timer clock cycle after the counter (TCNT1) value matches the Output Compare Register A (OCR1A).

Note that a Forced Output Compare (FOC1A) strobe will not set the OCF1A Flag.

OCF1A is automatically cleared when the Output Compare Match A Interrupt Vector is executed. Alternatively, OCF1A can be cleared by writing a logic one to its bit location.

- **Bit 0 – TOV1: Timer/Counter1, Overflow Flag**

The setting of this flag is dependent of the WGM13:0 bits setting. In Normal and CTC modes, the TOV1 Flag is set when the timer overflows. Refer to [Table 17-4 on page 139](#) for the TOV1 Flag behavior when using another WGM13:0 bit setting.

TOV1 is automatically cleared when the Timer/Counter1 Overflow Interrupt Vector is executed. Alternatively, TOV1 can be cleared by writing a logic one to its bit location.

## 18. Timer/Counter0 and Timer/Counter1 Prescalers

The "8-bit Timer/Counter0 with PWM" on page 100 and "16-bit Timer/Counter1 with PWM" on page 118 share the same prescaler module, but the Timer/Counters can have different prescaler settings. The description below applies to both Timer/Counter1 and Timer/Counter0.

### 18.1 Internal Clock Source

The Timer/Counter can be clocked directly by the system clock (by setting the CSn2:0 = 1). This provides the fastest operation, with a maximum Timer/Counter clock frequency equal to system clock frequency ( $f_{CLK\_IO}$ ). Alternatively, one of four taps from the prescaler can be used as a clock source. The prescaled clock has a frequency of either  $f_{CLK\_IO}/8$ ,  $f_{CLK\_IO}/64$ ,  $f_{CLK\_IO}/256$ , or  $f_{CLK\_IO}/1024$ .

### 18.2 Prescaler Reset

The prescaler is free running, i.e., operates independently of the Clock Select logic of the Timer/Counter, and it is shared by Timer/Counter1 and Timer/Counter0. Since the prescaler is not affected by the Timer/Counter's clock select, the state of the prescaler will have implications for situations where a prescaled clock is used. One example of prescaling artifacts occurs when the timer is enabled and clocked by the prescaler ( $6 > CSn2:0 > 1$ ). The number of system clock cycles from when the timer is enabled to the first count occurs can be from 1 to N+1 system clock cycles, where N equals the prescaler divisor (8, 64, 256, or 1024).

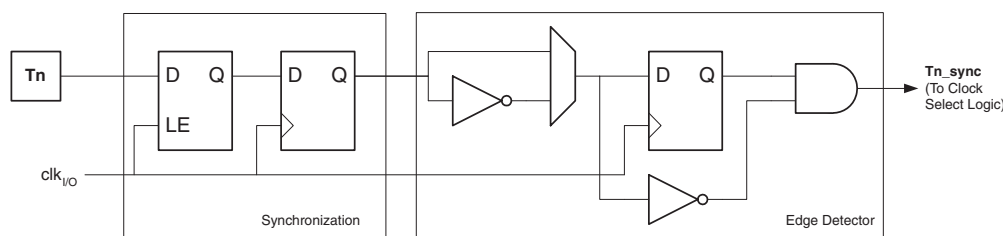
It is possible to use the prescaler reset for synchronizing the Timer/Counter to program execution. However, care must be taken if the other Timer/Counter that shares the same prescaler also uses prescaling. A prescaler reset will affect the prescaler period for all Timer/Counters it is connected to.

### 18.3 External Clock Source

An external clock source applied to the T1/T0 pin can be used as Timer/Counter clock ( $clk_{T1}/clk_{T0}$ ). The T1/T0 pin is sampled once every system clock cycle by the pin synchronization logic. The synchronized (sampled) signal is then passed through the edge detector. Figure 18-1 shows a functional equivalent block diagram of the T1/T0 synchronization and edge detector logic. The registers are clocked at the positive edge of the internal system clock ( $clk_{IO}$ ). The latch is transparent in the high period of the internal system clock.

The edge detector generates one  $clk_{T1}/clk_{T0}$  pulse for each positive ( $CSn2:0 = 7$ ) or negative ( $CSn2:0 = 6$ ) edge it detects.

**Figure 18-1. T1/T0 Pin Sampling**



The synchronization and edge detector logic introduces a delay of 2.5 to 3.5 system clock cycles from an edge has been applied to the T1/T0 pin to the counter is updated.

Enabling and disabling of the clock input must be done when T1/T0 has been stable for at least one system clock cycle, otherwise it is a risk that a false Timer/Counter clock pulse is generated.

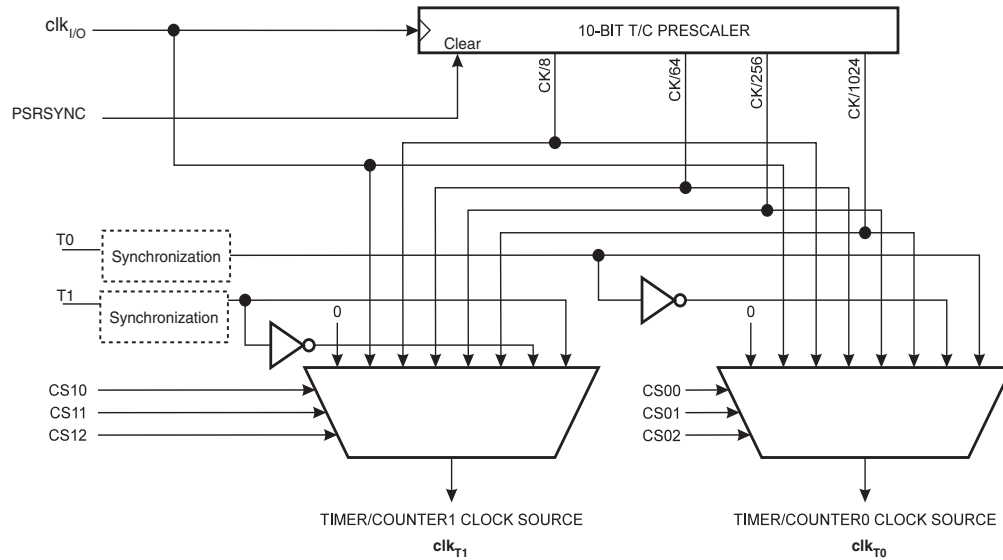
Each half period of the external clock applied must be longer than one system clock cycle to ensure correct sampling. The external clock must be ensured to have less than half the system clock frequency ( $f_{ExtClk} < f_{clk\_IO}/2$ ) given a 50/50% duty cycle. Since the edge detector uses sampling, the maximum frequency of an external clock it can detect is half the sampling frequency (Nyquist sampling theorem). However, due to variation of the system



clock frequency and duty cycle caused by Oscillator source (crystal, resonator, and capacitors) tolerances, it is recommended that maximum frequency of an external clock source is less than  $f_{clk\_I/O}/2.5$ .

An external clock source can not be prescaled.

**Figure 18-2. Prescaler for Timer/Counter0 and Timer/Counter1<sup>(1)</sup>**



Note: 1. The synchronization logic on the input pins (T1/T0) is shown in [Figure 18-1 on page 144](#).

## 18.4 Register Description

### 18.4.1 GTCCR – General Timer/Counter Control Register

|               |            |   |   |   |   |   |               |                |       |
|---------------|------------|---|---|---|---|---|---------------|----------------|-------|
| Bit           | 7          | 6 | 5 | 4 | 3 | 2 | 1             | 0              |       |
| 0x23 (0x43)   | <b>TSM</b> | – | – | – | – | – | <b>PSRASY</b> | <b>PSRSYNC</b> | GTCCR |
| Read/Write    | R/W        | R | R | R | R | R | R/W           | R/W            |       |
| Initial Value | 0          | 0 | 0 | 0 | 0 | 0 | 0             | 0              |       |

- **Bit 7 – TSM: Timer/Counter Synchronization Mode**

Writing the TSM bit to one activates the Timer/Counter Synchronization mode. In this mode, the value that is written to the PSRASY and PSRSYNC bits is kept, hence keeping the corresponding prescaler reset signals asserted. This ensures that the corresponding Timer/Counters are halted and can be configured to the same value without the risk of one of them advancing during configuration. When the TSM bit is written to zero, the PSRASY and PSRSYNC bits are cleared by hardware, and the Timer/Counters start counting simultaneously.

- **Bit 0 – PSRSYNC: Prescaler Reset**

When this bit is one, Timer/Counter1 and Timer/Counter0 prescaler will be Reset. This bit is normally cleared immediately by hardware, except if the TSM bit is set. Note that Timer/Counter1 and Timer/Counter0 share the same prescaler and a reset of this prescaler will affect both timers.

## 19. 8-bit Timer/Counter2 with PWM and Asynchronous Operation

### 19.1 Features

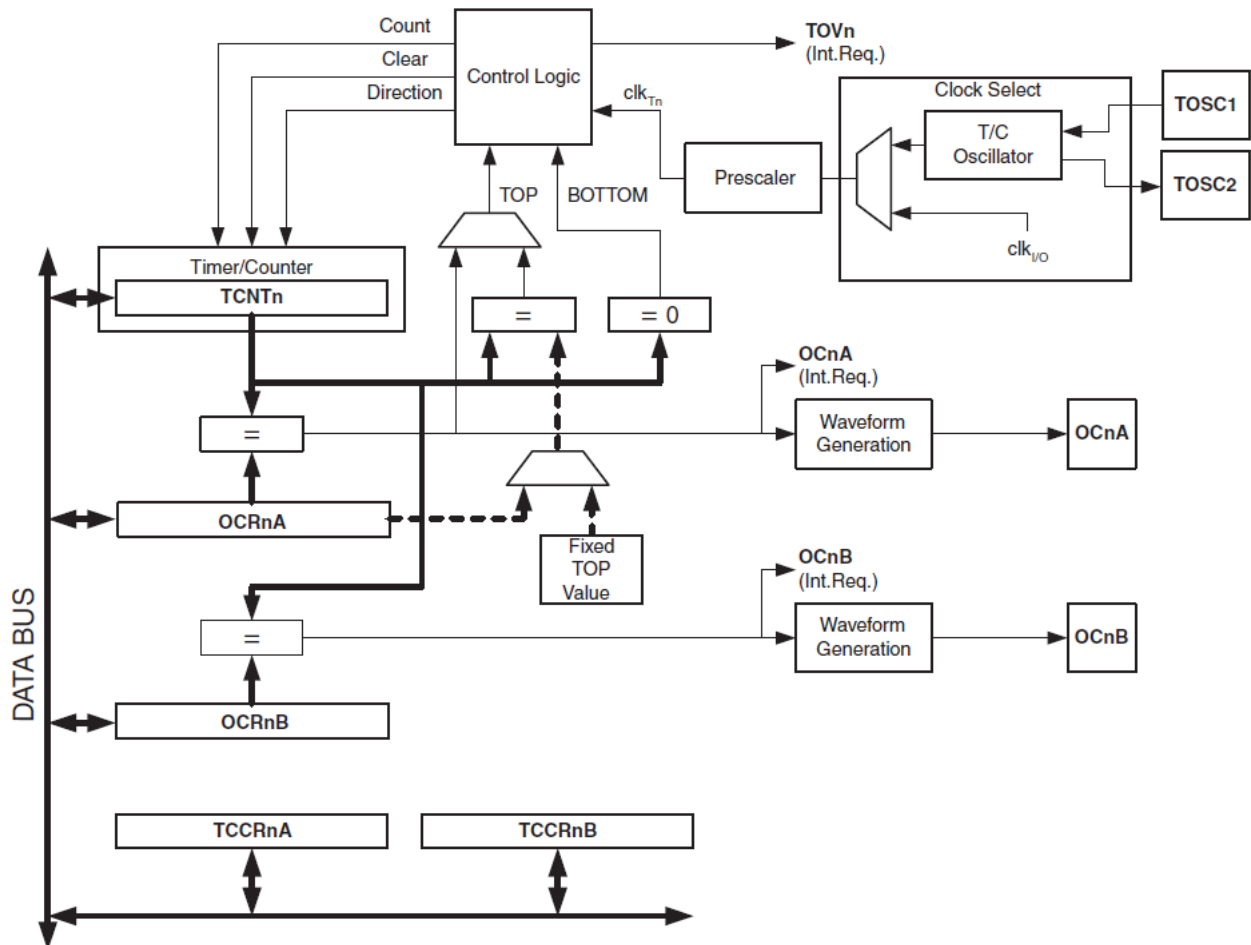
- Single Channel Counter
- Clear Timer on Compare Match (Auto Reload)
- Glitch-free, Phase Correct Pulse Width Modulator (PWM)
- Frequency Generator
- 10-bit Clock Prescaler
- Overflow and Compare Match Interrupt Sources (TOV2, OCF2A, and OCF2B)
- Allows Clocking from External 32kHz Watch Crystal Independent of the I/O Clock

### 19.2 Overview

Timer/Counter2 is a general purpose, single channel, 8-bit Timer/Counter module. A simplified block diagram of the 8-bit Timer/Counter is shown in [Figure 19-1](#). For the actual placement of I/O pins, refer to ["32 TQFP Pinout ATmega48PB/88PB/168PB"](#) on page 10. CPU accessible I/O Registers, including I/O bits and I/O pins, are shown in bold. The device-specific I/O Register and bit locations are listed in the ["Register Description"](#) on page 160.

The PRTIM2 bit in ["Minimizing Power Consumption"](#) on page 49 must be written to zero to enable Timer/Counter2 module.

**Figure 19-1. 8-bit Timer/Counter Block Diagram**



## 19.2.1 Registers

The Timer/Counter (TCNT2) and Output Compare Register (OCR2A and OCR2B) are 8-bit registers. Interrupt request (shorten as Int.Req.) signals are all visible in the Timer Interrupt Flag Register (TIFR2). All interrupts are individually masked with the Timer Interrupt Mask Register (TIMSK2). TIFR2 and TIMSK2 are not shown in the figure.

The Timer/Counter can be clocked internally, via the prescaler, or asynchronously clocked from the TOSC1/2 pins, as detailed later in this section. The asynchronous operation is controlled by the Asynchronous Status Register (ASSR). The Clock Select logic block controls which clock source the Timer/Counter uses to increment (or decrement) its value. The Timer/Counter is inactive when no clock source is selected. The output from the Clock Select logic is referred to as the timer clock ( $clk_{T2}$ ).

The double buffered Output Compare Register (OCR2A and OCR2B) are compared with the Timer/Counter value at all times. The result of the compare can be used by the Waveform Generator to generate a PWM or variable frequency output on the Output Compare pins (OC2A and OC2B). See ["Output Compare Unit" on page 149](#) for details. The compare match event will also set the Compare Flag (OCF2A or OCF2B) which can be used to generate an Output Compare interrupt request.

## 19.2.2 Definitions

Many register and bit references in this document are written in general form. A lower case "n" replaces the Timer/Counter number, in this case 2. However, when using the register or bit defines in a program, the precise form must be used, i.e., TCNT2 for accessing Timer/Counter2 counter value and so on.

The definitions in [Table 19-1](#) are also used extensively throughout the section.

**Table 19-1. Definitions**

|        |   |
|--------|---|
| BOTTOM | The counter reaches the BOTTOM when it becomes zero (0x00).   |
| MAX    | The counter reaches its MAXimum when it becomes 0xFF (decimal 255).   |
| TOP    | The counter reaches the TOP when it becomes equal to the highest value in the count sequence. The TOP value can be assigned to be the fixed value 0xFF (MAX) or the value stored in the OCR2A Register. The assignment is dependent on the mode of operation. |

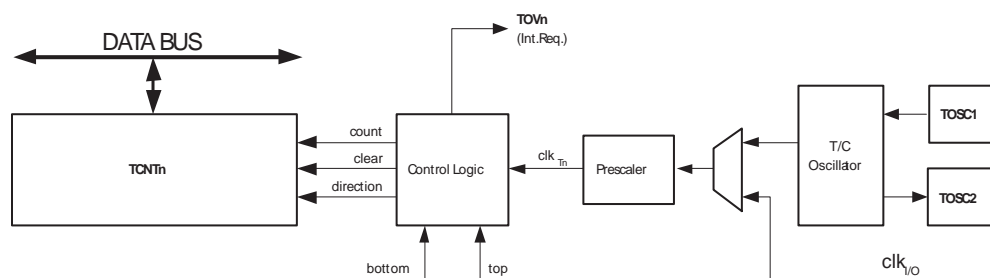
## 19.3 Timer/Counter Clock Sources

The Timer/Counter can be clocked by an internal synchronous or an external asynchronous clock source. The clock source  $clk_{T2}$  is by default equal to the MCU clock,  $clk_{IO}$ . When the AS2 bit in the ASSR Register is written to logic one, the clock source is taken from the Timer/Counter Oscillator connected to TOSC1 and TOSC2. For details on asynchronous operation, see ["ASSR – Asynchronous Status Register" on page 166](#). For details on clock sources and prescaler, see ["Timer/Counter Prescaler" on page 158](#).

## 19.4 Counter Unit

The main part of the 8-bit Timer/Counter is the programmable bi-directional counter unit. [Figure 19-2](#) shows a block diagram of the counter and its surrounding environment.

**Figure 19-2. Counter Unit Block Diagram**



Signal description (internal signals):

- count** Increment or decrement TCNT2 by 1.
- direction** Selects between increment and decrement.
- clear** Clear TCNT2 (set all bits to zero).
- clk<sub>Tn</sub>** Timer/Counter clock, referred to as clk<sub>T2</sub> in the following.
- top** Signalizes that TCNT2 has reached maximum value.
- bottom** Signalizes that TCNT2 has reached minimum value (zero).

Depending on the mode of operation used, the counter is cleared, incremented, or decremented at each timer clock (clk<sub>T2</sub>). clk<sub>T2</sub> can be generated from an external or internal clock source, selected by the Clock Select bits (CS22:0). When no clock source is selected (CS22:0 = 0) the timer is stopped. However, the TCNT2 value can be accessed by the CPU, regardless of whether clk<sub>T2</sub> is present or not. A CPU write overrides (has priority over) all counter clear or count operations.

The counting sequence is determined by the setting of the WGM21 and WGM20 bits located in the Timer/Counter Control Register (TCCR2A) and the WGM22 located in the Timer/Counter Control Register B (TCCR2B). There are close connections between how the counter behaves (counts) and how waveforms are generated on the Output Compare outputs OC2A and OC2B. For more details about advanced counting sequences and waveform generation, see ["Modes of Operation" on page 152](#).

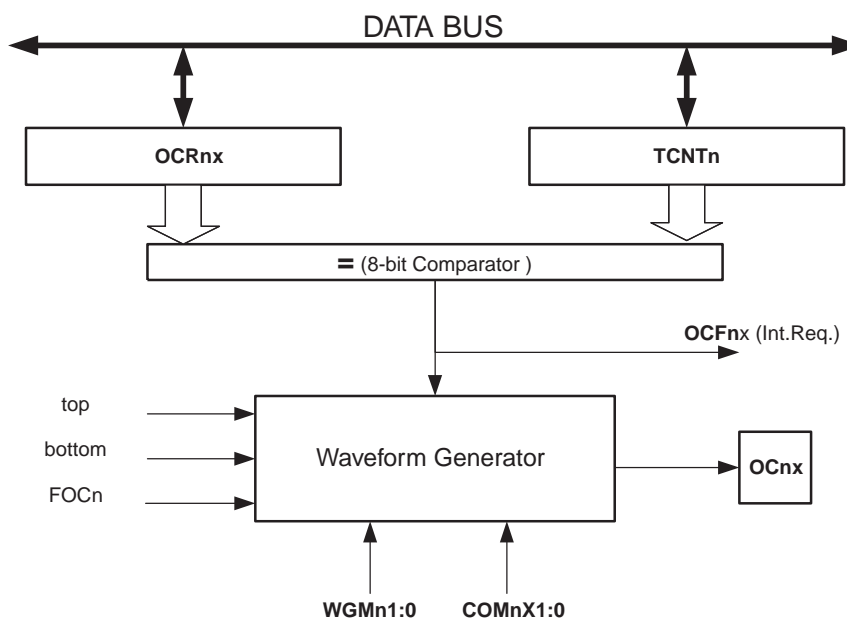
The Timer/Counter Overflow Flag (TOV2) is set according to the mode of operation selected by the WGM22:0 bits. TOV2 can be used for generating a CPU interrupt.

## 19.5 Output Compare Unit

The 8-bit comparator continuously compares TCNT2 with the Output Compare Register (OCR2A and OCR2B). Whenever TCNT2 equals OCR2A or OCR2B, the comparator signals a match. A match will set the Output Compare Flag (OCF2A or OCF2B) at the next timer clock cycle. If the corresponding interrupt is enabled, the Output Compare Flag generates an Output Compare interrupt. The Output Compare Flag is automatically cleared when the interrupt is executed. Alternatively, the Output Compare Flag can be cleared by software by writing a logical one to its I/O bit location. The Waveform Generator uses the match signal to generate an output according to operating mode set by the WGM22:0 bits and Compare Output mode (COM2x1:0) bits. The max and bottom signals are used by the Waveform Generator for handling the special cases of the extreme values in some modes of operation (["Modes of Operation" on page 152](#)).

[Figure 19-3 on page 150](#) shows a block diagram of the Output Compare unit.

**Figure 19-3. Output Compare Unit, Block Diagram**



The OCR2x Register is double buffered when using any of the Pulse Width Modulation (PWM) modes. For the Normal and Clear Timer on Compare (CTC) modes of operation, the double buffering is disabled. The double buffering synchronizes the update of the OCR2x Compare Register to either top or bottom of the counting sequence. The synchronization prevents the occurrence of odd-length, non-symmetrical PWM pulses, thereby making the output glitch-free.

The OCR2x Register access may seem complex, but this is not case. When the double buffering is enabled, the CPU has access to the OCR2x Buffer Register, and if double buffering is disabled the CPU will access the OCR2x directly.

### 19.5.1 Force Output Compare

In non-PWM waveform generation modes, the match output of the comparator can be forced by writing a one to the Force Output Compare (FOC2x) bit. Forcing compare match will not set the OCF2x Flag or reload/clear the timer, but the OC2x pin will be updated as if a real compare match had occurred (the COM2x1:0 bits settings define whether the OC2x pin is set, cleared or toggled).

### 19.5.2 Compare Match Blocking by TCNT2 Write

All CPU write operations to the TCNT2 Register will block any compare match that occurs in the next timer clock cycle, even when the timer is stopped. This feature allows OCR2x to be initialized to the same value as TCNT2 without triggering an interrupt when the Timer/Counter clock is enabled.

### 19.5.3 Using the Output Compare Unit

Since writing TCNT2 in any mode of operation will block all compare matches for one timer clock cycle, there are risks involved when changing TCNT2 when using the Output Compare channel, independently of whether the Timer/Counter is running or not. If the value written to TCNT2 equals the OCR2x value, the compare match will be missed, resulting in incorrect waveform generation. Similarly, do not write the TCNT2 value equal to BOTTOM when the counter is downcounting.

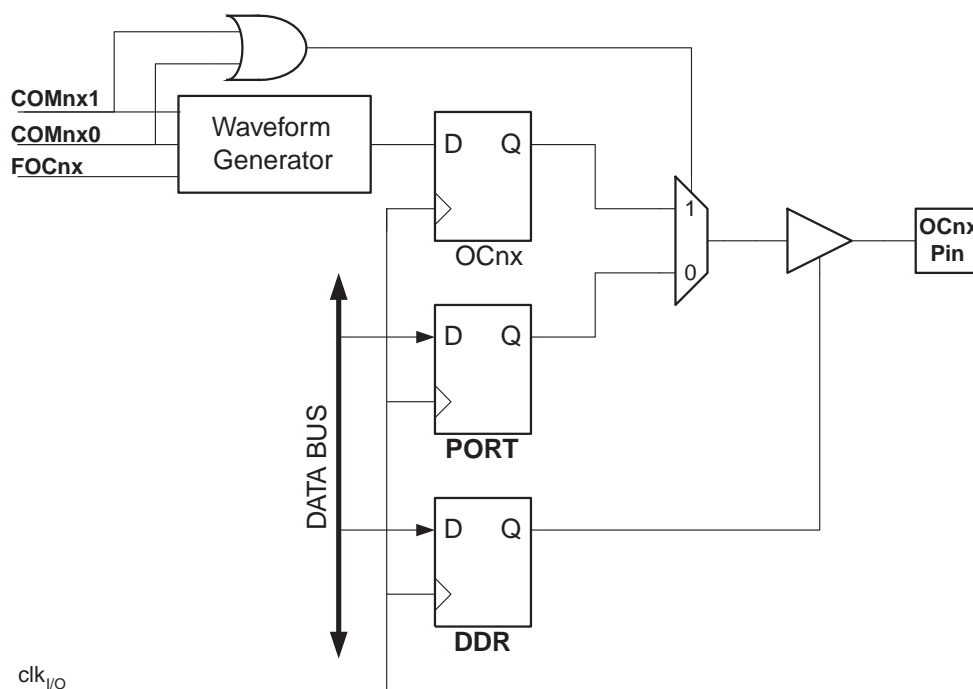
The setup of the OC2x should be performed before setting the Data Direction Register for the port pin to output. The easiest way of setting the OC2x value is to use the Force Output Compare (FOC2x) strobe bit in Normal mode. The OC2x Register keeps its value even when changing between Waveform Generation modes.

Be aware that the COM2x1:0 bits are not double buffered together with the compare value. Changing the COM2x1:0 bits will take effect immediately.

## 19.6 Compare Match Output Unit

The Compare Output mode (COM2x1:0) bits have two functions. The Waveform Generator uses the COM2x1:0 bits for defining the Output Compare (OC2x) state at the next compare match. Also, the COM2x1:0 bits control the OC2x pin output source. Figure 19-4 shows a simplified schematic of the logic affected by the COM2x1:0 bit setting. The I/O Registers, I/O bits, and I/O pins in the figure are shown in bold. Only the parts of the general I/O Port Control Registers (DDR and PORT) that are affected by the COM2x1:0 bits are shown. When referring to the OC2x state, the reference is for the internal OC2x Register, not the OC2x pin.

Figure 19-4. Compare Match Output Unit, Schematic



The general I/O port function is overridden by the Output Compare (OC2x) from the Waveform Generator if either of the COM2x1:0 bits are set. However, the OC2x pin direction (input or output) is still controlled by the Data Direction Register (DDR) for the port pin. The Data Direction Register bit for the OC2x pin (DDR\_OC2x) must be set as output before the OC2x value is visible on the pin. The port override function is independent of the Waveform Generation mode.

The design of the Output Compare pin logic allows initialization of the OC2x state before the output is enabled. Note that some COM2x1:0 bit settings are reserved for certain modes of operation. See "Register Description" on page 160.

### 19.6.1 Compare Output Mode and Waveform Generation

The Waveform Generator uses the COM2x1:0 bits differently in normal, CTC, and PWM modes. For all modes, setting the COM2x1:0 = 0 tells the Waveform Generator that no action on the OC2x Register is to be performed on the next compare match. For compare output actions in the non-PWM modes refer to Table 19-5 on page 161. For fast PWM mode, refer to Table 19-6 on page 161, and for phase correct PWM refer to Table 19-7 on page 162.

A change of the COM2x1:0 bits state will have effect at the first compare match after the bits are written. For non-PWM modes, the action can be forced to have immediate effect by using the FOC2x strobe bits.

## 19.7 Modes of Operation

The mode of operation, i.e., the behavior of the Timer/Counter and the Output Compare pins, is defined by the combination of the Waveform Generation mode (WGM22:0) and Compare Output mode (COM2x1:0) bits. The Compare Output mode bits do not affect the counting sequence, while the Waveform Generation mode bits do. The COM2x1:0 bits control whether the PWM output generated should be inverted or not (inverted or non-inverted PWM). For non-PWM modes the COM2x1:0 bits control whether the output should be set, cleared, or toggled at a compare match (See "Compare Match Output Unit" on page 151).

For detailed timing information refer to "Timer/Counter Timing Diagrams" on page 156.

### 19.7.1 Normal Mode

The simplest mode of operation is the Normal mode (WGM22:0 = 0). In this mode the counting direction is always up (incrementing), and no counter clear is performed. The counter simply overruns when it passes its maximum 8-bit value (TOP = 0xFF) and then restarts from the bottom (0x00). In normal operation the Timer/Counter Overflow Flag (TOV2) will be set in the same timer clock cycle as the TCNT2 becomes zero. The TOV2 Flag in this case behaves like a ninth bit, except that it is only set, not cleared. However, combined with the timer overflow interrupt that automatically clears the TOV2 Flag, the timer resolution can be increased by software. There are no special cases to consider in the Normal mode, a new counter value can be written anytime.

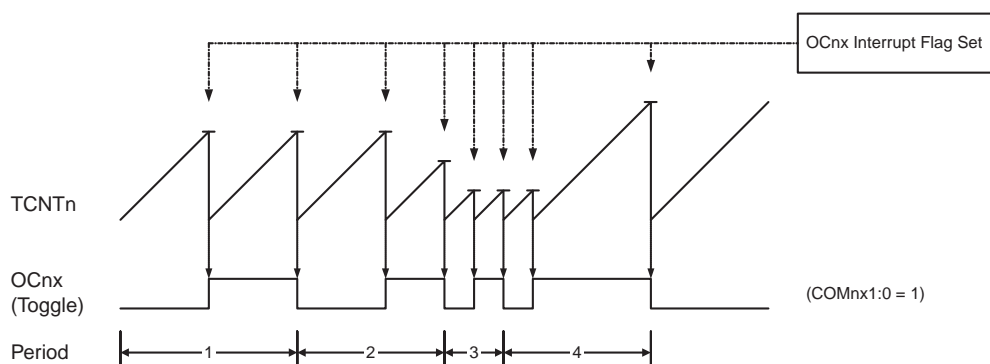
The Output Compare unit can be used to generate interrupts at some given time. Using the Output Compare to generate waveforms in Normal mode is not recommended, since this will occupy too much of the CPU time.

### 19.7.2 Clear Timer on Compare Match (CTC) Mode

In Clear Timer on Compare or CTC mode (WGM22:0 = 2), the OCR2A Register is used to manipulate the counter resolution. In CTC mode the counter is cleared to zero when the counter value (TCNT2) matches the OCR2A. The OCR2A defines the top value for the counter, hence also its resolution. This mode allows greater control of the compare match output frequency. It also simplifies the operation of counting external events.

The timing diagram for the CTC mode is shown in Figure 19-5. The counter value (TCNT2) increases until a compare match occurs between TCNT2 and OCR2A, and then counter (TCNT2) is cleared.

**Figure 19-5. CTC Mode, Timing Diagram**



An interrupt can be generated each time the counter value reaches the TOP value by using the OCF2A Flag. If the interrupt is enabled, the interrupt handler routine can be used for updating the TOP value. However, changing TOP to a value close to BOTTOM when the counter is running with none or a low prescaler value must be done with care since the CTC mode does not have the double buffering feature. If the new value written to OCR2A is lower than the current value of TCNT2, the counter will miss the compare match. The counter will then have to count to its maximum value (0xFF) and wrap around starting at 0x00 before the compare match can occur.

For generating a waveform output in CTC mode, the OC2A output can be set to toggle its logical level on each compare match by setting the Compare Output mode bits to toggle mode (COM2A1:0 = 1). The OC2A value will



not be visible on the port pin unless the data direction for the pin is set to output. The waveform generated will have a maximum frequency of  $f_{OC2A} = f_{clk\_I/O}/2$  when OCR2A is set to zero (0x00). The waveform frequency is defined by the following equation:

$$f_{OCnx} = \frac{f_{clk\_I/O}}{2 \cdot N \cdot (1 + OCRnx)}$$

The  $N$  variable represents the prescale factor (1, 8, 32, 64, 128, 256, or 1024).

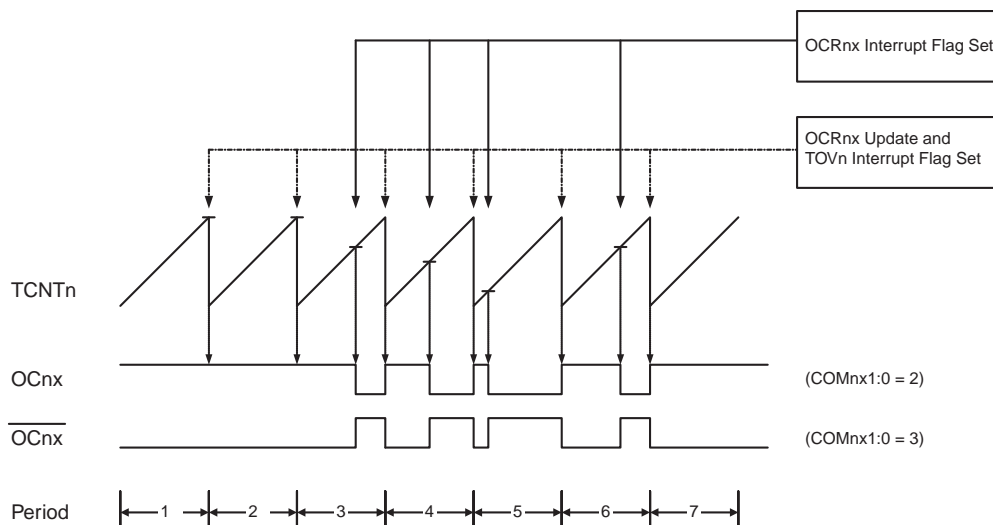
As for the Normal mode of operation, the TOV2 Flag is set in the same timer clock cycle that the counter counts from MAX to 0x00.

### 19.7.3 Fast PWM Mode

The fast Pulse Width Modulation or fast PWM mode (WGM22:0 = 3 or 7) provides a high frequency PWM waveform generation option. The fast PWM differs from the other PWM option by its single-slope operation. The counter counts from BOTTOM to TOP then restarts from BOTTOM. TOP is defined as 0xFF when WGM2:0 = 3, and OCR2A when MGM2:0 = 7. In non-inverting Compare Output mode, the Output Compare (OC2x) is cleared on the compare match between TCNT2 and OCR2x, and set at BOTTOM. In inverting Compare Output mode, the output is set on compare match and cleared at BOTTOM. Due to the single-slope operation, the operating frequency of the fast PWM mode can be twice as high as the phase correct PWM mode that uses dual-slope operation. This high frequency makes the fast PWM mode well suited for power regulation, rectification, and DAC applications. High frequency allows physically small sized external components (coils, capacitors), and therefore reduces total system cost.

In fast PWM mode, the counter is incremented until the counter value matches the TOP value. The counter is then cleared at the following timer clock cycle. The timing diagram for the fast PWM mode is shown in Figure 19-6. The TCNT2 value is in the timing diagram shown as a histogram for illustrating the single-slope operation. The diagram includes non-inverted and inverted PWM outputs. The small horizontal line marks on the TCNT2 slopes represent compare matches between OCR2x and TCNT2.

**Figure 19-6. Fast PWM Mode, Timing Diagram**



The Timer/Counter Overflow Flag (TOV2) is set each time the counter reaches TOP. If the interrupt is enabled, the interrupt handler routine can be used for updating the compare value.

In fast PWM mode, the compare unit allows generation of PWM waveforms on the OC2x pin. Setting the COM2x1:0 bits to two will produce a non-inverted PWM and an inverted PWM output can be generated by setting the COM2x1:0 to three. TOP is defined as 0xFF when WGM2:0 = 3, and OCR2A when MGM2:0 = 7. (See Table

19-3 on page 160). The actual OC2x value will only be visible on the port pin if the data direction for the port pin is set as output. The PWM waveform is generated by setting (or clearing) the OC2x Register at the compare match between OCR2x and TCNT2, and clearing (or setting) the OC2x Register at the timer clock cycle the counter is cleared (changes from TOP to BOTTOM).

The PWM frequency for the output can be calculated by the following equation:

$$f_{OCnxPWM} = \frac{f_{clk\_I/O}}{N \cdot 256}$$

The  $N$  variable represents the prescale factor (1, 8, 32, 64, 128, 256, or 1024).

The extreme values for the OCR2A Register represent special cases when generating a PWM waveform output in the fast PWM mode. If the OCR2A is set equal to BOTTOM, the output will be a narrow spike for each MAX+1 timer clock cycle. Setting the OCR2A equal to MAX will result in a constantly high or low output (depending on the polarity of the output set by the COM2A1:0 bits.)

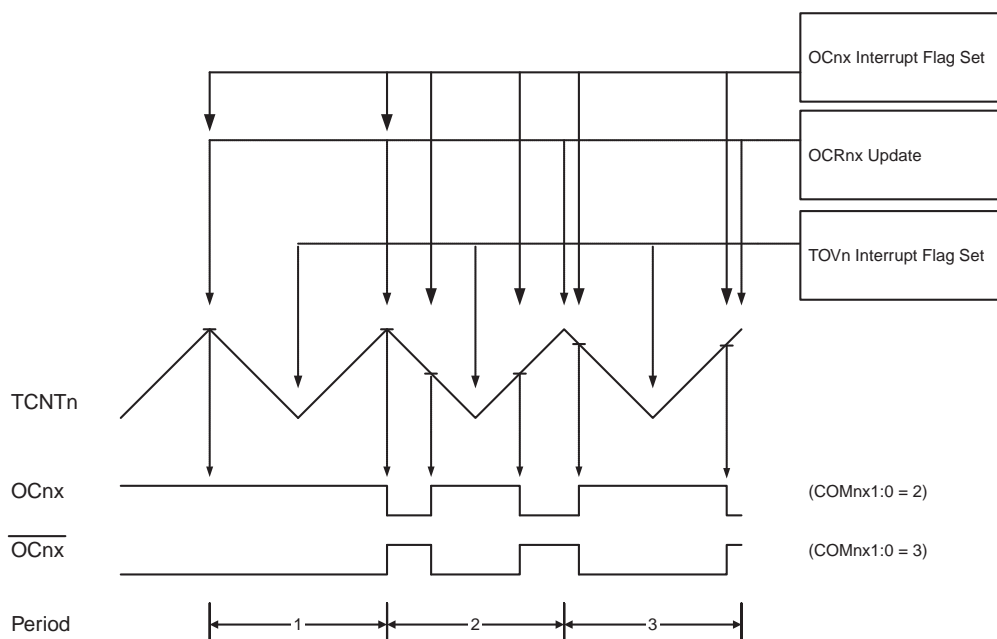
A frequency (with 50% duty cycle) waveform output in fast PWM mode can be achieved by setting OC2x to toggle its logical level on each compare match (COM2x1:0 = 1). The waveform generated will have a maximum frequency of  $f_{oc2} = f_{clk\_I/O}/2$  when OCR2A is set to zero. This feature is similar to the OC2A toggle in CTC mode, except the double buffer feature of the Output Compare unit is enabled in the fast PWM mode.

#### 19.7.4 Phase Correct PWM Mode

The phase correct PWM mode (WGM22:0 = 1 or 5) provides a high resolution phase correct PWM waveform generation option. The phase correct PWM mode is based on a dual-slope operation. The counter counts repeatedly from BOTTOM to TOP and then from TOP to BOTTOM. TOP is defined as 0xFF when WGM2:0 = 3, and OCR2A when WGM2:0 = 7. In non-inverting Compare Output mode, the Output Compare (OC2x) is cleared on the compare match between TCNT2 and OCR2x while upcounting, and set on the compare match while downcounting. In inverting Output Compare mode, the operation is inverted. The dual-slope operation has lower maximum operation frequency than single slope operation. However, due to the symmetric feature of the dual-slope PWM modes, these modes are preferred for motor control applications.

In phase correct PWM mode the counter is incremented until the counter value matches TOP. When the counter reaches TOP, it changes the count direction. The TCNT2 value will be equal to TOP for one timer clock cycle. The timing diagram for the phase correct PWM mode is shown on [Figure 19-7 on page 155](#). The TCNT2 value is in the timing diagram shown as a histogram for illustrating the dual-slope operation. The diagram includes non-inverted and inverted PWM outputs. The small horizontal line marks on the TCNT2 slopes represent compare matches between OCR2x and TCNT2.

**Figure 19-7. Phase Correct PWM Mode, Timing Diagram**



The Timer/Counter Overflow Flag (TOV2) is set each time the counter reaches BOTTOM. The Interrupt Flag can be used to generate an interrupt each time the counter reaches the BOTTOM value.

In phase correct PWM mode, the compare unit allows generation of PWM waveforms on the OC2x pin. Setting the COM2x1:0 bits to two will produce a non-inverted PWM. An inverted PWM output can be generated by setting the COM2x1:0 to three. TOP is defined as 0xFF when WGM2:0 = 3, and OCR2A when MGM2:0 = 7 (See [Table 19-4 on page 161](#)). The actual OC2x value will only be visible on the port pin if the data direction for the port pin is set as output. The PWM waveform is generated by clearing (or setting) the OC2x Register at the compare match between OCR2x and TCNT2 when the counter increments, and setting (or clearing) the OC2x Register at compare match between OCR2x and TCNT2 when the counter decrements. The PWM frequency for the output when using phase correct PWM can be calculated by the following equation:

$$f_{OCnxPCPWM} = \frac{f_{clk\_I/O}}{N \cdot 510}$$

The  $N$  variable represents the prescale factor (1, 8, 32, 64, 128, 256, or 1024).

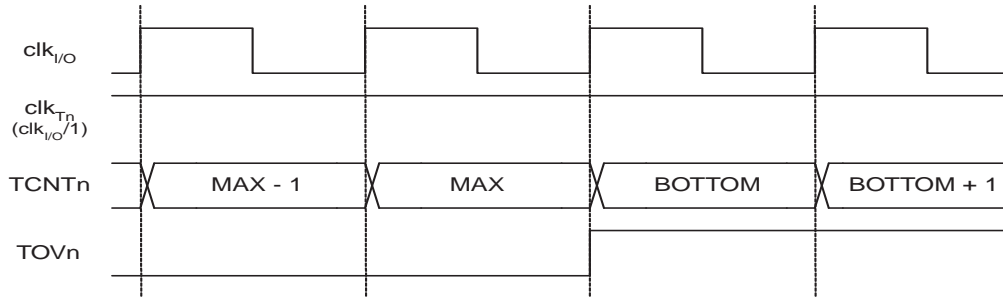
The extreme values for the OCR2A Register represent special cases when generating a PWM waveform output in the phase correct PWM mode. If the OCR2A is set equal to BOTTOM, the output will be continuously low and if set equal to MAX the output will be continuously high for non-inverted PWM mode. For inverted PWM the output will have the opposite logic values.

- Note: 1. At the very start of period 2 in [Figure 19-7](#) OCnx has a transition from high to low even though there is no Compare Match. The point of this transition is to ensure symmetry around BOTTOM. There are two cases that give a transition without Compare Match.
- OCR2A changes its value from MAX, like in [Figure 19-7](#). When the OCR2A value is MAX the OCn pin value is the same as the result of a down-counting compare match. To ensure symmetry around BOTTOM the OCn value at MAX must correspond to the result of an up-counting Compare Match.
  - The timer starts counting from a value higher than the one in OCR2A, and for that reason misses the Compare Match and hence the OCn change that would have happened on the way up.

## 19.8 Timer/Counter Timing Diagrams

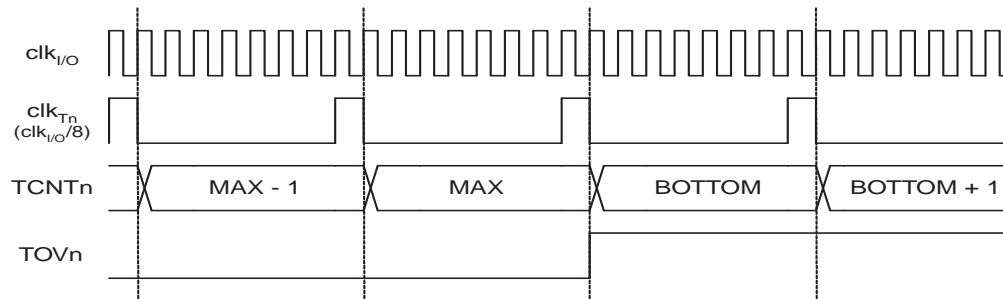
The following figures show the Timer/Counter in synchronous mode, and the timer clock ( $clk_{T2}$ ) is therefore shown as a clock enable signal. In asynchronous mode,  $clk_{I/O}$  should be replaced by the Timer/Counter Oscillator clock. The figures include information on when Interrupt Flags are set. [Figure 19-8](#) contains timing data for basic Timer/Counter operation. The figure shows the count sequence close to the MAX value in all modes other than phase correct PWM mode.

**Figure 19-8. Timer/Counter Timing Diagram, no Prescaling**



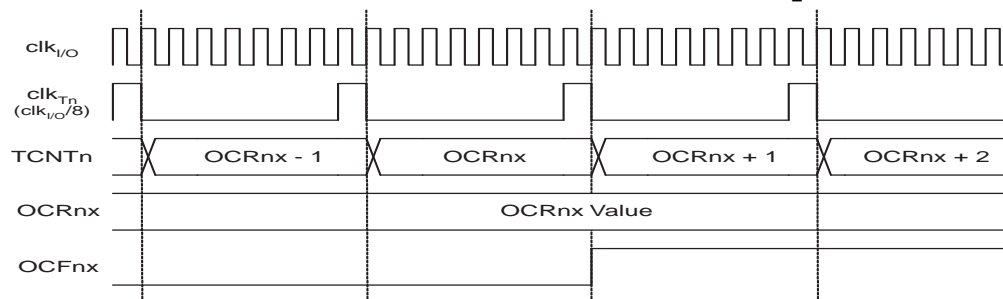
[Figure 19-9](#) shows the same timing data, but with the prescaler enabled.

**Figure 19-9. Timer/Counter Timing Diagram, with Prescaler ( $f_{clk_{I/O}/8}$ )**



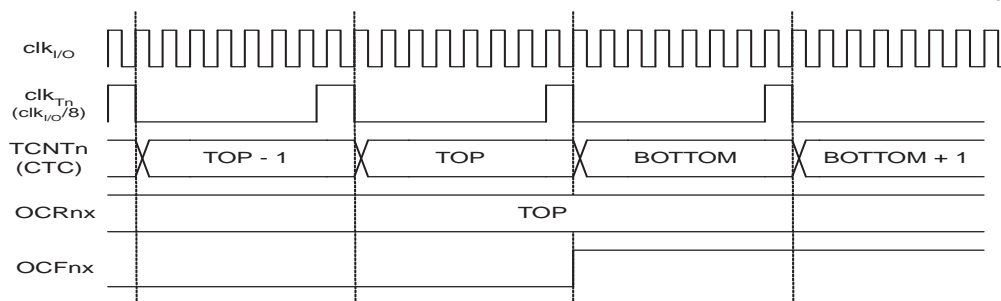
[Figure 19-10](#) shows the setting of OCF2A in all modes except CTC mode.

**Figure 19-10. Timer/Counter Timing Diagram, Setting of OCF2A, with Prescaler ( $f_{clk_{I/O}/8}$ )**



[Figure 19-11 on page 157](#) shows the setting of OCF2A and the clearing of TCNT2 in CTC mode.

**Figure 19-11. Timer/Counter Timing Diagram, Clear Timer on Compare Match mode, with Prescaler ( $f_{clk_{I/O}}/8$ )**



## 19.9 Asynchronous Operation of Timer/Counter2

When Timer/Counter2 operates asynchronously, some considerations must be taken.

1. **Warning:** When switching between asynchronous and synchronous clocking of Timer/Counter2, the Timer Registers TCNT2, OCR2x, and TCCR2x might be corrupted. A safe procedure for switching clock source is:
  - 1.1. Disable the Timer/Counter2 interrupts by clearing OCIE2x and TOIE2.
    - 1.1.1. Select clock source by setting AS2 as appropriate.
    - 1.1.2. Write new values to TCNT2, OCR2x, and TCCR2x.
    - 1.1.3. To switch to asynchronous operation: Wait for TCN2xUB, OCR2xUB, and TCR2xUB.
    - 1.1.4. Clear the Timer/Counter2 Interrupt Flags.
    - 1.1.5. Enable interrupts, if needed.
2. The CPU main clock frequency must be more than four times the Oscillator frequency.
3. When writing to one of the registers TCNT2, OCR2x, or TCCR2x, the value is transferred to a temporary register, and latched after two positive edges on TOSC1. The user should not write a new value before the contents of the temporary register have been transferred to its destination. Each of the five mentioned registers have their individual temporary register, which means that e.g. writing to TCNT2 does not disturb an OCR2x write in progress. To detect that a transfer to the destination register has taken place, the Asynchronous Status Register – ASSR has been implemented.
4. When entering Power-save or ADC Noise Reduction mode after having written to TCNT2, OCR2x, or TCCR2x, the user must wait until the written register has been updated if Timer/Counter2 is used to wake up the device. Otherwise, the MCU will enter sleep mode before the changes are effective. This is particularly important if any of the Output Compare2 interrupt is used to wake up the device, since the Output Compare function is disabled during writing to OCR2x or TCNT2. If the write cycle is not finished, and the MCU enters sleep mode before the corresponding OCR2xUB bit returns to zero, the device will never receive a compare match interrupt, and the MCU will not wake up.
5. If Timer/Counter2 is used to wake the device up from Power-save or ADC Noise Reduction mode, precautions must be taken if the user wants to re-enter one of these modes: If re-entering sleep mode within the TOSC1 cycle, the interrupt will immediately occur and the device wake up again. The result is multiple interrupts and wake-ups within one TOSC1 cycle from the first interrupt. If the user is in doubt whether the time before re-entering Power-save or ADC Noise Reduction mode is sufficient, the following algorithm can be used to ensure that one TOSC1 cycle has elapsed:
  - 5.1. Write a value to TCCR2x, TCNT2, or OCR2x.
    - 5.1.1. Wait until the corresponding Update Busy Flag in ASSR returns to zero.
    - 5.1.2. Enter Power-save or ADC Noise Reduction mode.
6. When the asynchronous operation is selected, the 32.768kHz Oscillator for Timer/Counter2 is always running, except in Power-down and Standby modes. After a Power-up Reset or wake-up from Power-down or Standby mode, the user should be aware of the fact that this Oscillator might take as long as one second to stabilize. The user is advised to wait for at least one second before using Timer/Counter2 after power-up

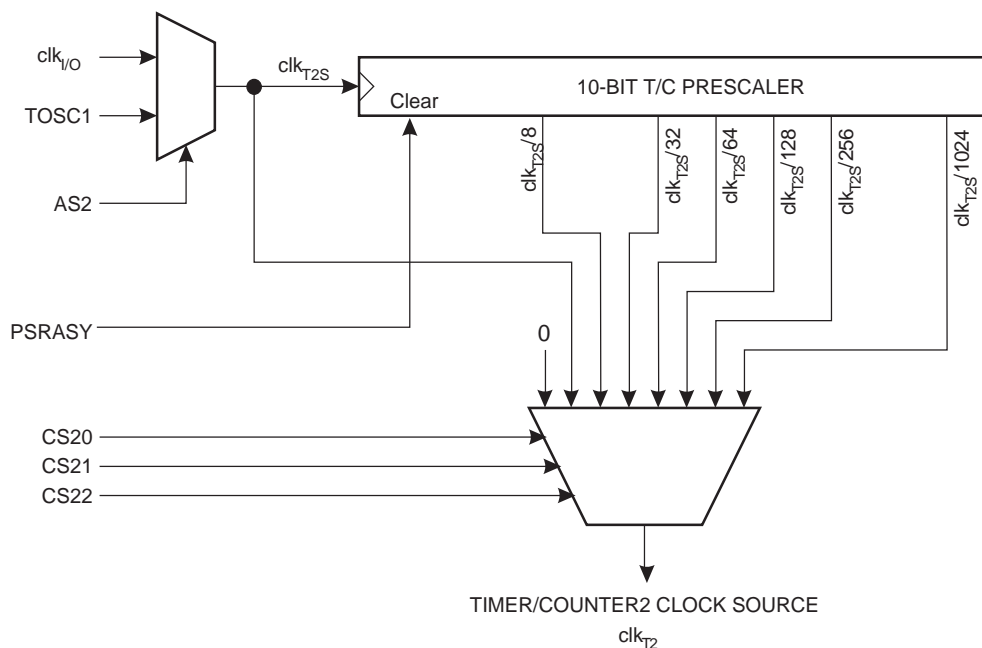
or wake-up from Power-down or Standby mode. The contents of all Timer/Counter2 Registers must be considered lost after a wake-up from Power-down or Standby mode due to unstable clock signal upon start-up, no matter whether the Oscillator is in use or a clock signal is applied to the TOSC1 pin.

7. Description of wake up from Power-save or ADC Noise Reduction mode when the timer is clocked asynchronously: When the interrupt condition is met, the wake up process is started on the following cycle of the timer clock, that is, the timer is always advanced by at least one before the processor can read the counter value. After wake-up, the MCU is halted for four cycles, it executes the interrupt routine, and resumes execution from the instruction following SLEEP.
8. Reading of the TCNT2 Register shortly after wake-up from Power-save may give an incorrect result. Since TCNT2 is clocked on the asynchronous TOSC clock, reading TCNT2 must be done through a register synchronized to the internal I/O clock domain. Synchronization takes place for every rising TOSC1 edge. When waking up from Power-save mode, and the I/O clock ( $clk_{I/O}$ ) again becomes active, TCNT2 will read as the previous value (before entering sleep) until the next rising TOSC1 edge. The phase of the TOSC clock after waking up from Power-save mode is essentially unpredictable, as it depends on the wake-up time. The recommended procedure for reading TCNT2 is thus as follows:
  - 8.1. Wait for the corresponding Update Busy Flag to be cleared.
  - 8.2. Read TCNT2.

During asynchronous operation, the synchronization of the Interrupt Flags for the asynchronous timer takes 3 processor cycles plus one timer cycle. The timer is therefore advanced by at least one before the processor can read the timer value causing the setting of the Interrupt Flag. The Output Compare pin is changed on the timer clock and is not synchronized to the processor clock.

## 19.10 Timer/Counter Prescaler

**Figure 19-12. Prescaler for Timer/Counter2**



The clock source for Timer/Counter2 is named  $clk_{T2S}$ .  $clk_{T2S}$  is by default connected to the main system I/O clock  $clk_{I/O}$ . By setting the AS2 bit in ASSR, Timer/Counter2 is asynchronously clocked from the TOSC1 pin. This enables use of Timer/Counter2 as a Real Time Counter (RTC). When AS2 is set, pins TOSC1 and TOSC2 are disconnected from Port B. A crystal can then be connected between the TOSC1 and TOSC2 pins to serve as an independent clock source for Timer/Counter2. The Oscillator is optimized for use with a 32.768kHz crystal.

For Timer/Counter2, the possible prescaled selections are:  $\text{clk}_{T2S}/8$ ,  $\text{clk}_{T2S}/32$ ,  $\text{clk}_{T2S}/64$ ,  $\text{clk}_{T2S}/128$ ,  $\text{clk}_{T2S}/256$ , and  $\text{clk}_{T2S}/1024$ . Additionally,  $\text{clk}_{T2S}$  as well as 0 (stop) may be selected. Setting the PSRASY bit in GTCCR resets the prescaler. This allows the user to operate with a predictable prescaler.

## 19.11 Register Description

### 19.11.1 TCCR2A – Timer/Counter Control Register A

|               |               |               |               |               |   |   |              |              |               |
|---------------|---------------|---------------|---------------|---------------|---|---|--------------|--------------|---------------|
| Bit           | 7             | 6             | 5             | 4             | 3 | 2 | 1            | 0            |               |
| (0xB0)        | <b>COM2A1</b> | <b>COM2A0</b> | <b>COM2B1</b> | <b>COM2B0</b> | – | – | <b>WGM21</b> | <b>WGM20</b> | <b>TCCR2A</b> |
| Read/Write    | R/W           | R/W           | R/W           | R/W           | R | R | R/W          | R/W          |               |
| Initial Value | 0             | 0             | 0             | 0             | 0 | 0 | 0            | 0            |               |

- **Bits 7:6 – COM2A1:0: Compare Match Output A Mode**

These bits control the Output Compare pin (OC2A) behavior. If one or both of the COM2A1:0 bits are set, the OC2A output overrides the normal port functionality of the I/O pin it is connected to. However, note that the Data Direction Register (DDR) bit corresponding to the OC2A pin must be set in order to enable the output driver.

When OC2A is connected to the pin, the function of the COM2A1:0 bits depends on the WGM22:0 bit setting. [Table 19-2](#) shows the COM2A1:0 bit functionality when the WGM22:0 bits are set to a normal or CTC mode (non-PWM).

**Table 19-2. Compare Output Mode, non-PWM Mode**

| COM2A1 | COM2A0 | Description                               |
|--------|--------|---|
| 0      | 0      | Normal port operation, OC0A disconnected. |
| 0      | 1      | Toggle OC2A on Compare Match              |
| 1      | 0      | Clear OC2A on Compare Match               |
| 1      | 1      | Set OC2A on Compare Match                 |

[Table 19-3](#) shows the COM2A1:0 bit functionality when the WGM21:0 bits are set to fast PWM mode.

**Table 19-3. Compare Output Mode, Fast PWM Mode<sup>(1)</sup>**

| COM2A1 | COM2A0 | Description  |
|--------|--------|--|
| 0      | 0      | Normal port operation, OC2A disconnected.  |
| 0      | 1      | WGM22 = 0: Normal Port Operation, OC0A Disconnected.<br>WGM22 = 1: Toggle OC2A on Compare Match. |
| 1      | 0      | Clear OC2A on Compare Match, set OC2A at BOTTOM, (non-inverting mode).                           |
| 1      | 1      | Set OC2A on Compare Match, clear OC2A at BOTTOM, (inverting mode).                               |

Note: 1. A special case occurs when OCR2A equals TOP and COM2A1 is set. In this case, the Compare Match is ignored, but the set or clear is done at BOTTOM. See ["Fast PWM Mode" on page 153](#) for more details.

[Table 19-4 on page 161](#) shows the COM2A1:0 bit functionality when the WGM22:0 bits are set to phase correct PWM mode.



**Table 19-4. Compare Output Mode, Phase Correct PWM Mode<sup>(1)</sup>**

| COM2A1 | COM2A0 | Description  |
|--------|--------|--|
| 0      | 0      | Normal port operation, OC2A disconnected.  |
| 0      | 1      | WGM22 = 0: Normal Port Operation, OC2A Disconnected.<br>WGM22 = 1: Toggle OC2A on Compare Match. |
| 1      | 0      | Clear OC2A on Compare Match when up-counting. Set OC2A on Compare Match when down-counting.      |
| 1      | 1      | Set OC2A on Compare Match when up-counting. Clear OC2A on Compare Match when down-counting.      |

Note: 1. A special case occurs when OCR2A equals TOP and COM2A1 is set. In this case, the Compare Match is ignored, but the set or clear is done at TOP. See ["Phase Correct PWM Mode" on page 154](#) for more details.

• **Bits 5:4 – COM2B1:0: Compare Match Output B Mode**

These bits control the Output Compare pin (OC2B) behavior. If one or both of the COM2B1:0 bits are set, the OC2B output overrides the normal port functionality of the I/O pin it is connected to. However, note that the Data Direction Register (DDR) bit corresponding to the OC2B pin must be set in order to enable the output driver.

When OC2B is connected to the pin, the function of the COM2B1:0 bits depends on the WGM22:0 bit setting. [Table 19-5](#) shows the COM2B1:0 bit functionality when the WGM22:0 bits are set to a normal or CTC mode (non-PWM).

**Table 19-5. Compare Output Mode, non-PWM Mode**

| COM2B1 | COM2B0 | Description                               |
|--------|--------|---|
| 0      | 0      | Normal port operation, OC2B disconnected. |
| 0      | 1      | Toggle OC2B on Compare Match              |
| 1      | 0      | Clear OC2B on Compare Match               |
| 1      | 1      | Set OC2B on Compare Match                 |

[Table 19-6](#) shows the COM2B1:0 bit functionality when the WGM22:0 bits are set to fast PWM mode.

**Table 19-6. Compare Output Mode, Fast PWM Mode<sup>(1)</sup>**

| COM2B1 | COM2B0 | Description  |
|--------|--------|--|
| 0      | 0      | Normal port operation, OC2B disconnected.                              |
| 0      | 1      | Reserved   |
| 1      | 0      | Clear OC2B on Compare Match, set OC2B at BOTTOM, (non-inverting mode). |
| 1      | 1      | Set OC2B on Compare Match, clear OC2B at BOTTOM, (inverting mode).     |

Note: 1. A special case occurs when OCR2B equals TOP and COM2B1 is set. In this case, the Compare Match is ignored, but the set or clear is done at BOTTOM. See ["Phase Correct PWM Mode" on page 154](#) for more details.

[Table 19-7](#) shows the COM2B1:0 bit functionality when the WGM22:0 bits are set to phase correct PWM mode.

**Table 19-7. Compare Output Mode, Phase Correct PWM Mode<sup>(1)</sup>**

| COM2B1 | COM2B0 | Description   |
|--------|--------|---|
| 0      | 0      | Normal port operation, OC2B disconnected.   |
| 0      | 1      | Reserved  |
| 1      | 0      | Clear OC2B on Compare Match when up-counting. Set OC2B on Compare Match when down-counting. |
| 1      | 1      | Set OC2B on Compare Match when up-counting. Clear OC2B on Compare Match when down-counting. |

Note: 1. A special case occurs when OCR2B equals TOP and COM2B1 is set. In this case, the Compare Match is ignored, but the set or clear is done at TOP. See ["Phase Correct PWM Mode" on page 154](#) for more details.

• **Bits 3:2 – Reserved**

These bits are reserved in the ATmega48PB/88PB/168PB and will always read as zero.

• **Bits 1:0 – WGM21:0: Waveform Generation Mode**

Combined with the WGM22 bit found in the TCCR2B Register, these bits control the counting sequence of the counter, the source for maximum (TOP) counter value, and what type of waveform generation to be used, see [Table 19-8](#). Modes of operation supported by the Timer/Counter unit are: Normal mode (counter), Clear Timer on Compare Match (CTC) mode, and two types of Pulse Width Modulation (PWM) modes (see ["Modes of Operation" on page 152](#)).

**Table 19-8. Waveform Generation Mode Bit Description**

| Mode | WGM22 | WGM21 | WGM20 | Timer/Counter Mode of Operation | TOP  | Update of OCRx at | TOV Flag Set on <sup>(1)(2)</sup> |
|------|-------|-------|-------|---------------------------------|------|-------------------|-----------------------------------|
| 0    | 0     | 0     | 0     | Normal                          | 0xFF | Immediate         | MAX                               |
| 1    | 0     | 0     | 1     | PWM, Phase Correct              | 0xFF | TOP               | BOTTOM                            |
| 2    | 0     | 1     | 0     | CTC                             | OCRA | Immediate         | MAX                               |
| 3    | 0     | 1     | 1     | Fast PWM                        | 0xFF | BOTTOM            | MAX                               |
| 4    | 1     | 0     | 0     | Reserved                        | –    | –                 | –                                 |
| 5    | 1     | 0     | 1     | PWM, Phase Correct              | OCRA | TOP               | BOTTOM                            |
| 6    | 1     | 1     | 0     | Reserved                        | –    | –                 | –                                 |
| 7    | 1     | 1     | 1     | Fast PWM                        | OCRA | BOTTOM            | TOP                               |

Notes: 1. MAX= 0xFF  
2. BOTTOM= 0x00

## 19.11.2 TCCR2B – Timer/Counter Control Register B

|               |              |              |   |   |              |             |             |             |        |
|---------------|--------------|--------------|---|---|--------------|-------------|-------------|-------------|--------|
| Bit           | 7            | 6            | 5 | 4 | 3            | 2           | 1           | 0           |        |
| (0xB1)        | <b>FOC2A</b> | <b>FOC2B</b> | – | – | <b>WGM22</b> | <b>CS22</b> | <b>CS21</b> | <b>CS20</b> | TCCR2B |
| Read/Write    | W            | W            | R | R | R/W          | R/W         | R/W         | R/W         |        |
| Initial Value | 0            | 0            | 0 | 0 | 0            | 0           | 0           | 0           |        |

- **Bit 7 – FOC2A: Force Output Compare A**

The FOC2A bit is only active when the WGM bits specify a non-PWM mode.

However, for ensuring compatibility with future devices, this bit must be set to zero when TCCR2B is written when operating in PWM mode. When writing a logical one to the FOC2A bit, an immediate Compare Match is forced on the Waveform Generation unit. The OC2A output is changed according to its COM2A1:0 bits setting. Note that the FOC2A bit is implemented as a strobe. Therefore it is the value present in the COM2A1:0 bits that determines the effect of the forced compare.

A FOC2A strobe will not generate any interrupt, nor will it clear the timer in CTC mode using OCR2A as TOP.

The FOC2A bit is always read as zero.

- **Bit 6 – FOC2B: Force Output Compare B**

The FOC2B bit is only active when the WGM bits specify a non-PWM mode.

However, for ensuring compatibility with future devices, this bit must be set to zero when TCCR2B is written when operating in PWM mode. When writing a logical one to the FOC2B bit, an immediate Compare Match is forced on the Waveform Generation unit. The OC2B output is changed according to its COM2B1:0 bits setting. Note that the FOC2B bit is implemented as a strobe. Therefore it is the value present in the COM2B1:0 bits that determines the effect of the forced compare.

A FOC2B strobe will not generate any interrupt, nor will it clear the timer in CTC mode using OCR2B as TOP.

The FOC2B bit is always read as zero.

- **Bits 5:4 – Reserved**

These bits are unused and reserved for future use. For compatibility with future devices, always write these bits to zero when this register is written. These bits will always return zero when read.

- **Bit 3 – WGM22: Waveform Generation Mode**

See the description in the "[TCCR2A – Timer/Counter Control Register A](#)" on page 160.

- **Bit 2:0 – CS22:0: Clock Select**

The three Clock Select bits select the clock source to be used by the Timer/Counter, see [Table 19-9](#).

**Table 19-9. Clock Select Bit Description**

| CS22 | CS21 | CS20 | Description                              |
|------|------|------|--|
| 0    | 0    | 0    | No clock source (Timer/Counter stopped). |
| 0    | 0    | 1    | clk <sub>T2S</sub> /(No prescaling)      |
| 0    | 1    | 0    | clk <sub>T2S</sub> /8 (From prescaler)   |
| 0    | 1    | 1    | clk <sub>T2S</sub> /32 (From prescaler)  |
| 1    | 0    | 0    | clk <sub>T2S</sub> /64 (From prescaler)  |

**Table 19-9. Clock Select Bit Description**

| CS22 | CS21 | CS20 | Description                               |
|------|------|------|---|
| 1    | 0    | 1    | clk <sub>T2S</sub> /128 (From prescaler)  |
| 1    | 1    | 0    | clk <sub>T2S</sub> /256 (From prescaler)  |
| 1    | 1    | 1    | clk <sub>T2S</sub> /1024 (From prescaler) |

If external pin modes are used for the Timer/Counter0, transitions on the T0 pin will clock the counter even if the pin is configured as an output. This feature allows software control of the counting.

### 19.11.3 TCNT2 – Timer/Counter Register

| Bit           | 7                 | 6   | 5   | 4   | 3   | 2   | 1   | 0   |              |
|---------------|-------------------|-----|-----|-----|-----|-----|-----|-----|--------------|
| (0xB2)        | <b>TCNT2[7:0]</b> |     |     |     |     |     |     |     | <b>TCNT2</b> |
| Read/Write    | R/W               | R/W | R/W | R/W | R/W | R/W | R/W | R/W |              |
| Initial Value | 0                 | 0   | 0   | 0   | 0   | 0   | 0   | 0   |              |

The Timer/Counter Register gives direct access, both for read and write operations, to the Timer/Counter unit 8-bit counter. Writing to the TCNT2 Register blocks (removes) the Compare Match on the following timer clock. Modifying the counter (TCNT2) while the counter is running, introduces a risk of missing a Compare Match between TCNT2 and the OCR2x Registers.

### 19.11.4 OCR2A – Output Compare Register A

| Bit           | 7                 | 6   | 5   | 4   | 3   | 2   | 1   | 0   |              |
|---------------|-------------------|-----|-----|-----|-----|-----|-----|-----|--------------|
| (0xB3)        | <b>OCR2A[7:0]</b> |     |     |     |     |     |     |     | <b>OCR2A</b> |
| Read/Write    | R/W               | R/W | R/W | R/W | R/W | R/W | R/W | R/W |              |
| Initial Value | 0                 | 0   | 0   | 0   | 0   | 0   | 0   | 0   |              |

The Output Compare Register A contains an 8-bit value that is continuously compared with the counter value (TCNT2). A match can be used to generate an Output Compare interrupt, or to generate a waveform output on the OC2A pin.

### 19.11.5 OCR2B – Output Compare Register B

| Bit           | 7                 | 6   | 5   | 4   | 3   | 2   | 1   | 0   |              |
|---------------|-------------------|-----|-----|-----|-----|-----|-----|-----|--------------|
| (0xB4)        | <b>OCR2B[7:0]</b> |     |     |     |     |     |     |     | <b>OCR2B</b> |
| Read/Write    | R/W               | R/W | R/W | R/W | R/W | R/W | R/W | R/W |              |
| Initial Value | 0                 | 0   | 0   | 0   | 0   | 0   | 0   | 0   |              |

The Output Compare Register B contains an 8-bit value that is continuously compared with the counter value (TCNT2). A match can be used to generate an Output Compare interrupt, or to generate a waveform output on the OC2B pin.

### 19.11.6 TIMSK2 – Timer/Counter2 Interrupt Mask Register

| Bit           | 7 | 6 | 5 | 4 | 3 | 2             | 1             | 0            |               |
|---------------|---|---|---|---|---|---------------|---------------|--------------|---------------|
| (0x70)        | - |   |   |   |   | <b>OCIE2B</b> | <b>OCIE2A</b> | <b>TOIE2</b> | <b>TIMSK2</b> |
| Read/Write    | R | R | R | R | R | R/W           | R/W           | R/W          |               |
| Initial Value | 0 | 0 | 0 | 0 | 0 | 0             | 0             | 0            |               |

- **Bit 2 – OCIE2B: Timer/Counter2 Output Compare Match B Interrupt Enable**

When the OCIE2B bit is written to one and the I-bit in the Status Register is set (one), the Timer/Counter2 Compare Match B interrupt is enabled. The corresponding interrupt is executed if a compare match in Timer/Counter2 occurs, i.e., when the OCF2B bit is set in the Timer/Counter 2 Interrupt Flag Register – TIFR2.

- **Bit 1 – OCIE2A: Timer/Counter2 Output Compare Match A Interrupt Enable**

When the OCIE2A bit is written to one and the I-bit in the Status Register is set (one), the Timer/Counter2 Compare Match A interrupt is enabled. The corresponding interrupt is executed if a compare match in Timer/Counter2 occurs, i.e., when the OCF2A bit is set in the Timer/Counter 2 Interrupt Flag Register – TIFR2.

- **Bit 0 – TOIE2: Timer/Counter2 Overflow Interrupt Enable**

When the TOIE2 bit is written to one and the I-bit in the Status Register is set (one), the Timer/Counter2 Overflow interrupt is enabled. The corresponding interrupt is executed if an overflow in Timer/Counter2 occurs, i.e., when the TOV2 bit is set in the Timer/Counter2 Interrupt Flag Register – TIFR2.

### 19.11.7 TIFR2 – Timer/Counter2 Interrupt Flag Register

| Bit           | 7 | 6 | 5 | 4 | 3 | 2            | 1            | 0           |              |
|---------------|---|---|---|---|---|--------------|--------------|-------------|--------------|
| 0x17 (0x37)   | – | – | – | – | – | <b>OCF2B</b> | <b>OCF2A</b> | <b>TOV2</b> | <b>TIFR2</b> |
| Read/Write    | R | R | R | R | R | R/W          | R/W          | R/W         |              |
| Initial Value | 0 | 0 | 0 | 0 | 0 | 0            | 0            | 0           |              |

- **Bit 2 – OCF2B: Output Compare Flag 2 B**

The OCF2B bit is set (one) when a compare match occurs between the Timer/Counter2 and the data in OCR2B – Output Compare Register2. OCF2B is cleared by hardware when executing the corresponding interrupt handling vector. Alternatively, OCF2B is cleared by writing a logic one to the flag. When the I-bit in SREG, OCIE2B (Timer/Counter2 Compare match Interrupt Enable), and OCF2B are set (one), the Timer/Counter2 Compare match Interrupt is executed.

- **Bit 1 – OCF2A: Output Compare Flag 2 A**

The OCF2A bit is set (one) when a compare match occurs between the Timer/Counter2 and the data in OCR2A – Output Compare Register2. OCF2A is cleared by hardware when executing the corresponding interrupt handling vector. Alternatively, OCF2A is cleared by writing a logic one to the flag. When the I-bit in SREG, OCIE2A (Timer/Counter2 Compare match Interrupt Enable), and OCF2A are set (one), the Timer/Counter2 Compare match Interrupt is executed.

- **Bit 0 – TOV2: Timer/Counter2 Overflow Flag**

The TOV2 bit is set (one) when an overflow occurs in Timer/Counter2. TOV2 is cleared by hardware when executing the corresponding interrupt handling vector. Alternatively, TOV2 is cleared by writing a logic one to the flag. When the SREG I-bit, TOIE2A (Timer/Counter2 Overflow Interrupt Enable), and TOV2 are set (one), the Timer/Counter2 Overflow interrupt is executed. In PWM mode, this bit is set when Timer/Counter2 changes counting direction at 0x00.

## 19.11.8 ASSR – Asynchronous Status Register

| Bit<br>(0xB6) | 7 | 6   | 5   | 4 | 3 | 2 | 1 | 0 | ASSR |
|---------------|---|-----|-----|---|---|---|---|---|------|
| Read/Write    | R | R/W | R/W | R | R | R | R | R |      |
| Initial Value | 0 | 0   | 0   | 0 | 0 | 0 | 0 | 0 |      |

- **Bit 7 – Reserved**

This bit is unused and reserved for future use. For compatibility with future devices, always write this bit to zero when this register is written. This bit will always return zero when read.

- **Bit 6 – EXCLK: Enable External Clock Input**

When EXCLK is written to one, and asynchronous clock is selected, the external clock input buffer is enabled and an external clock can be input on Timer Oscillator 1 (TOSC1) pin instead of a 32kHz crystal. Writing to EXCLK should be done before asynchronous operation is selected. Note that the crystal Oscillator will only run when this bit is zero.

- **Bit 5 – AS2: Asynchronous Timer/Counter2**

When AS2 is written to zero, Timer/Counter2 is clocked from the I/O clock,  $clk_{I/O}$ . When AS2 is written to one, Timer/Counter2 is clocked from a crystal Oscillator connected to the Timer Oscillator 1 (TOSC1) pin. When the value of AS2 is changed, the contents of TCNT2, OCR2A, OCR2B, TCCR2A and TCCR2B might be corrupted.

- **Bit 4 – TCN2UB: Timer/Counter2 Update Busy**

When Timer/Counter2 operates asynchronously and TCNT2 is written, this bit becomes set. When TCNT2 has been updated from the temporary storage register, this bit is cleared by hardware. A logical zero in this bit indicates that TCNT2 is ready to be updated with a new value.

- **Bit 3 – OCR2AUB: Output Compare Register2 Update Busy**

When Timer/Counter2 operates asynchronously and OCR2A is written, this bit becomes set. When OCR2A has been updated from the temporary storage register, this bit is cleared by hardware. A logical zero in this bit indicates that OCR2A is ready to be updated with a new value.

- **Bit 2 – OCR2BUB: Output Compare Register2 Update Busy**

When Timer/Counter2 operates asynchronously and OCR2B is written, this bit becomes set. When OCR2B has been updated from the temporary storage register, this bit is cleared by hardware. A logical zero in this bit indicates that OCR2B is ready to be updated with a new value.

- **Bit 1 – TCR2AUB: Timer/Counter Control Register2 Update Busy**

When Timer/Counter2 operates asynchronously and TCCR2A is written, this bit becomes set. When TCCR2A has been updated from the temporary storage register, this bit is cleared by hardware. A logical zero in this bit indicates that TCCR2A is ready to be updated with a new value.

- **Bit 0 – TCR2BUB: Timer/Counter Control Register2 Update Busy**

When Timer/Counter2 operates asynchronously and TCCR2B is written, this bit becomes set. When TCCR2B has been updated from the temporary storage register, this bit is cleared by hardware. A logical zero in this bit indicates that TCCR2B is ready to be updated with a new value.

If a write is performed to any of the five Timer/Counter2 Registers while its update busy flag is set, the updated value might get corrupted and cause an unintentional interrupt to occur.

The mechanisms for reading TCNT2, OCR2A, OCR2B, TCCR2A and TCCR2B are different. When reading TCNT2, the actual timer value is read. When reading OCR2A, OCR2B, TCCR2A and TCCR2B the value in the temporary storage register is read.

## 19.11.9 GTCCR – General Timer/Counter Control Register

| Bit           | 7          | 6 | 5 | 4 | 3 | 2 | 1             | 0              |       |
|---------------|------------|---|---|---|---|---|---------------|----------------|-------|
| 0x23 (0x43)   | <b>TSM</b> | – | – | – | – | – | <b>PSRASY</b> | <b>PSRSYNC</b> | GTCCR |
| Read/Write    | R/W        | R | R | R | R | R | R/W           | R/W            |       |
| Initial Value | 0          | 0 | 0 | 0 | 0 | 0 | 0             | 0              |       |

- **Bit 1 – PSRASY: Prescaler Reset Timer/Counter2**

When this bit is one, the Timer/Counter2 prescaler will be reset. This bit is normally cleared immediately by hardware. If the bit is written when Timer/Counter2 is operating in asynchronous mode, the bit will remain one until the prescaler has been reset. The bit will not be cleared by hardware if the TSM bit is set. Refer to the description of the ["Bit 7 – TSM: Timer/Counter Synchronization Mode"](#) on page 146 for a description of the Timer/Counter Synchronization mode.

## 20. SPI – Serial Peripheral Interface

### 20.1 Features

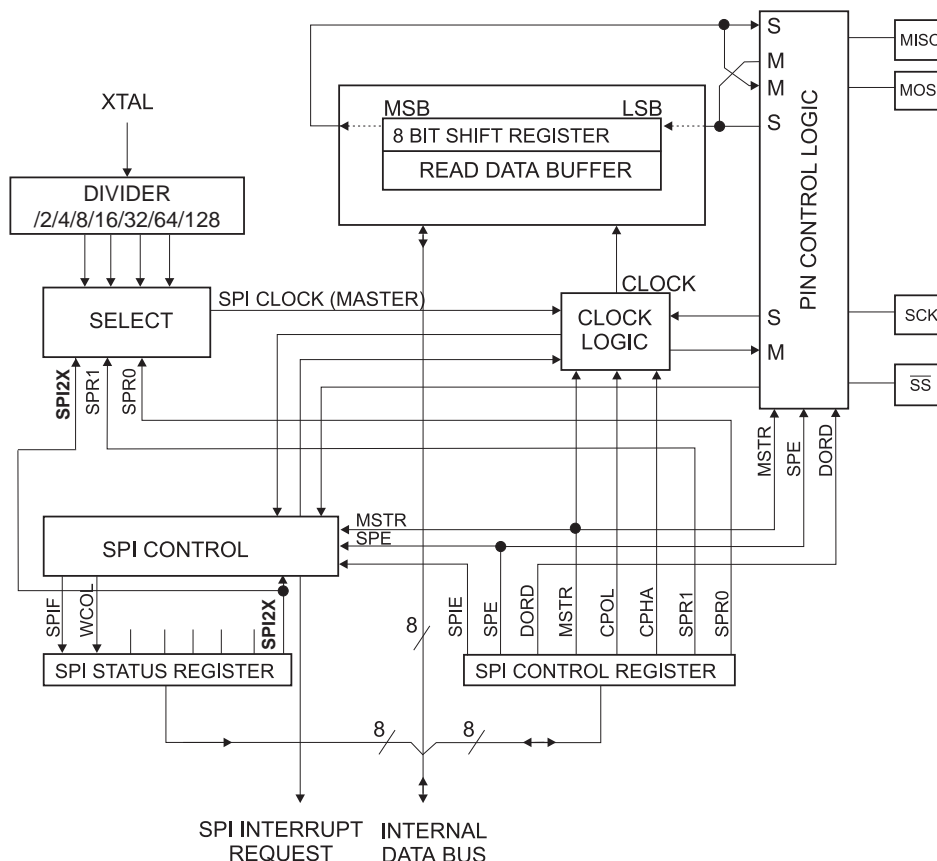
- Full-duplex, Three-wire Synchronous Data Transfer
- Master or Slave Operation
- LSB First or MSB First Data Transfer
- Seven Programmable Bit Rates
- End of Transmission Interrupt Flag
- Write Collision Flag Protection
- Wake-up from Idle Mode
- Double Speed (CK/2) Master SPI Mode

### 20.2 Overview

The Serial Peripheral Interface (SPI) allows high-speed synchronous data transfer between the ATmega48PB/88PB/168PB and peripheral devices or between several AVR devices.

The USART can also be used in Master SPI mode, see “USART in SPI Mode” on page 206. The PRSPI bit in “Minimizing Power Consumption” on page 49 must be written to zero to enable SPI module.

Figure 20-1. SPI Block Diagram<sup>(1)</sup>



Note: 1. Refer to Figure 2-1 on page 10, and Table 15-3 on page 89 for SPI pin placement.

The interconnection between Master and Slave CPUs with SPI is shown in Figure 20-2 on page 169. The system consists of two shift Registers, and a Master clock generator. The SPI Master initiates the communication cycle

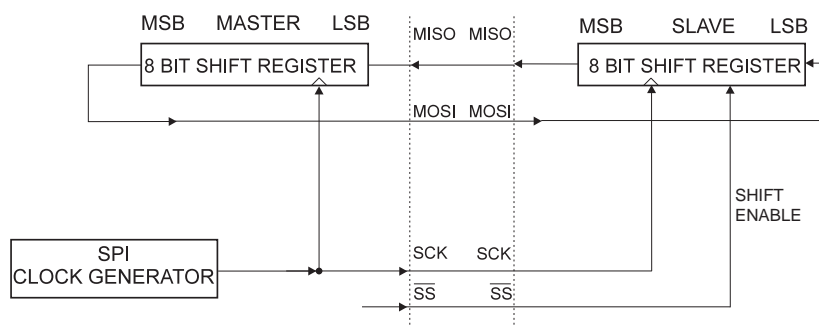


when pulling low the Slave Select  $\overline{SS}$  pin of the desired Slave. Master and Slave prepare the data to be sent in their respective shift Registers, and the Master generates the required clock pulses on the SCK line to interchange data. Data is always shifted from Master to Slave on the Master Out – Slave In, MOSI, line, and from Slave to Master on the Master In – Slave Out, MISO, line. After each data packet, the Master will synchronize the Slave by pulling high the Slave Select,  $\overline{SS}$ , line.

When configured as a Master, the SPI interface has no automatic control of the  $\overline{SS}$  line. This must be handled by user software before communication can start. When this is done, writing a byte to the SPI Data Register starts the SPI clock generator, and the hardware shifts the eight bits into the Slave. After shifting one byte, the SPI clock generator stops, setting the end of Transmission Flag (SPIF). If the SPI Interrupt Enable bit (SPIE) in the SPCR Register is set, an interrupt is requested. The Master may continue to shift the next byte by writing it into SPDR, or signal the end of packet by pulling high the Slave Select,  $\overline{SS}$  line. The last incoming byte will be kept in the Buffer Register for later use.

When configured as a Slave, the SPI interface will remain sleeping with MISO tri-stated as long as the  $\overline{SS}$  pin is driven high. In this state, software may update the contents of the SPI Data Register, SPDR, but the data will not be shifted out by incoming clock pulses on the SCK pin until the  $\overline{SS}$  pin is driven low. As one byte has been completely shifted, the end of Transmission Flag, SPIF is set. If the SPI Interrupt Enable bit, SPIE, in the SPCR Register is set, an interrupt is requested. The Slave may continue to place new data to be sent into SPDR before reading the incoming data. The last incoming byte will be kept in the Buffer Register for later use.

**Figure 20-2. SPI Master-slave Interconnection**



The system is single buffered in the transmit direction and double buffered in the receive direction. This means that bytes to be transmitted cannot be written to the SPI Data Register before the entire shift cycle is completed. When receiving data, however, a received character must be read from the SPI Data Register before the next character has been completely shifted in. Otherwise, the first byte is lost.

In SPI Slave mode, the control logic will sample the incoming signal of the SCK pin. To ensure correct sampling of the clock signal, the minimum low and high periods should be:

Low periods: Longer than two CPU clock cycles.

High periods: Longer than two CPU clock cycles.

When the SPI is enabled, the data direction of the MOSI, MISO, SCK, and  $\overline{SS}$  pins is overridden according to [Table 20-1 on page 170](#). For more details on automatic port overrides, refer to ["Alternate Port Functions" on page 87](#).

**Table 20-1. SPI Pin Overrides<sup>(1)</sup>**

| Pin                    | Direction, Master SPI | Direction, Slave SPI |
|------------------------|-----------------------|----------------------|
| MOSI                   | User Defined          | Input                |
| MISO                   | Input                 | User Defined         |
| SCK                    | User Defined          | Input                |
| $\overline{\text{SS}}$ | User Defined          | Input                |

Note: 1. See ["Alternate Functions of Port B" on page 89](#) for a detailed description of how to define the direction of the user defined SPI pins.

The following code examples show how to initialize the SPI as a Master and how to perform a simple transmission. `DDR_SPI` in the examples must be replaced by the actual Data Direction Register controlling the SPI pins. `DD_MOSI`, `DD_MISO` and `DD_SCK` must be replaced by the actual data direction bits for these pins. E.g. if MOSI is placed on pin PB5, replace `DD_MOSI` with `DDB5` and `DDR_SPI` with `DDRB`.

## Assembly Code Example<sup>(1)</sup>

```

SPI_MasterInit:
    ; Set MOSI and SCK output, all others input
    ldi            r17, (1<<DD_MOSI) | (1<<DD_SCK)
    out            DDR_SPI, r17
    ; Enable SPI, Master, set clock rate fck/16
    ldi            r17, (1<<SPE) | (1<<MSTR) | (1<<SPR0)
    out            SPCR, r17
    ret

SPI_MasterTransmit:
    ; Start transmission of data (r16)
    out            SPDR, r16
Wait_Transmit:
    ; Wait for transmission complete
    in             r16, SPSR
    sbrc          r16, SPIF
    rjmp          Wait_Transmit
    ret

```

## C Code Example<sup>(1)</sup>

```

void SPI_MasterInit(void)
{
    /* Set MOSI and SCK output, all others input */
    DDR_SPI = (1<<DD_MOSI) | (1<<DD_SCK);
    /* Enable SPI, Master, set clock rate fck/16 */
    SPCR = (1<<SPE) | (1<<MSTR) | (1<<SPR0);
}

void SPI_MasterTransmit(char cData)
{
    /* Start transmission */
    SPDR = cData;
    /* Wait for transmission complete */
    while (!(SPSR & (1<<SPIF)))
        ;
}

```

Note: 1. See ["About Code Examples" on page 16](#).

The following code examples show how to initialize the SPI as a Slave and how to perform a simple reception.

#### Assembly Code Example<sup>(1)</sup>

```

SPI_SlaveInit:
    ; Set MISO output, all others input
    ldi        r17, (1<<DD_MISO)
    out        DDR_SPI, r17
    ; Enable SPI
    ldi        r17, (1<<SPE)
    out        SPCR, r17
    ret

SPI_SlaveReceive:
    ; Wait for reception complete
    in r16, SPSR
    sbrc r16, SPIF
    rjmp      SPI_SlaveReceive
    ; Read received data and return
    in        r16, SPDR
    ret

```

#### C Code Example<sup>(1)</sup>

```

void SPI_SlaveInit(void)
{
    /* Set MISO output, all others input */
    DDR_SPI = (1<<DD_MISO);
    /* Enable SPI */
    SPCR = (1<<SPE);
}

char SPI_SlaveReceive(void)
{
    /* Wait for reception complete */
    while(!(SPSR & (1<<SPIF)))
        ;
    /* Return Data Register */
    return SPDR;
}

```

Note: 1. See "About Code Examples" on page 16.

## 20.3 $\overline{SS}$ Pin Functionality

### 20.3.1 Slave Mode

When the SPI is configured as a Slave, the Slave Select ( $\overline{SS}$ ) pin is always input. When  $\overline{SS}$  is held low, the SPI is activated, and MISO becomes an output if configured so by the user. All other pins are inputs. When  $\overline{SS}$  is driven high, all pins are inputs, and the SPI is passive, which means that it will not receive incoming data. Note that the SPI logic will be reset once the  $\overline{SS}$  pin is driven high.

The  $\overline{SS}$  pin is useful for packet/byte synchronization to keep the slave bit counter synchronous with the master clock generator. When the  $\overline{SS}$  pin is driven high, the SPI slave will immediately reset the send and receive logic, and drop any partially received data in the Shift Register.

## 20.3.2 Master Mode

When the SPI is configured as a Master (MSTR in SPCR is set), the user can determine the direction of the  $\overline{SS}$  pin. If  $\overline{SS}$  is configured as an output, the pin is a general output pin which does not affect the SPI system. Typically, the pin will be driving the  $\overline{SS}$  pin of the SPI Slave.

If  $\overline{SS}$  is configured as an input, it must be held high to ensure Master SPI operation. If the  $\overline{SS}$  pin is driven low by peripheral circuitry when the SPI is configured as a Master with the  $\overline{SS}$  pin defined as an input, the SPI system interprets this as another master selecting the SPI as a slave and starting to send data to it. To avoid bus contention, the SPI system takes the following actions:

1. The MSTR bit in SPCR is cleared and the SPI system becomes a Slave. As a result of the SPI becoming a Slave, the MOSI and SCK pins become inputs.
2. The SPIF Flag in SPSR is set, and if the SPI interrupt is enabled, and the I-bit in SREG is set, the interrupt routine will be executed.

Thus, when interrupt-driven SPI transmission is used in Master mode, and there exists a possibility that  $\overline{SS}$  is driven low, the interrupt should always check that the MSTR bit is still set. If the MSTR bit has been cleared by a slave select, it must be set by the user to re-enable SPI Master mode.

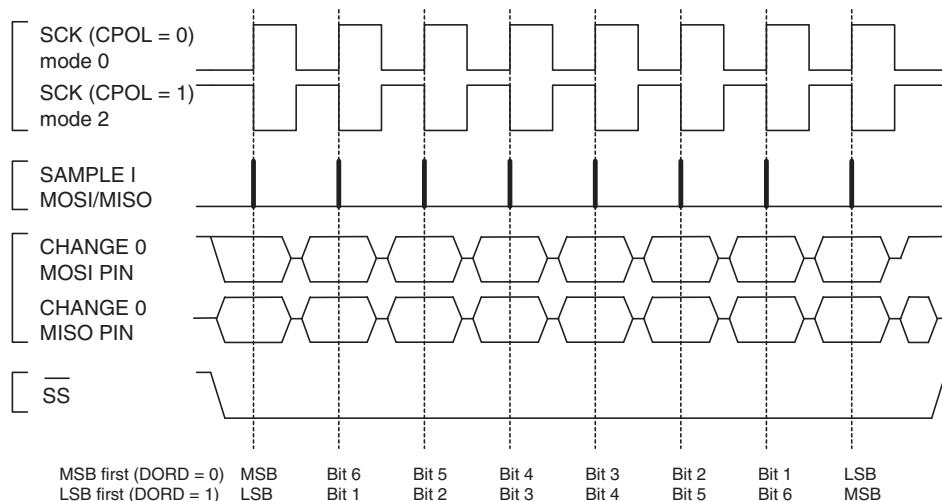
## 20.4 Data Modes

There are four combinations of SCK phase and polarity with respect to serial data, which are determined by control bits CPHA and CPOL. The SPI data transfer formats are shown in [Figure 20-3 on page 173](#) and [Figure 20-4 on page 174](#). Data bits are shifted out and latched in on opposite edges of the SCK signal, ensuring sufficient time for data signals to stabilize. This is clearly seen by summarizing [Table 20-3 on page 175](#) and [Table 20-4 on page 175](#), as done in [Table 20-2](#).

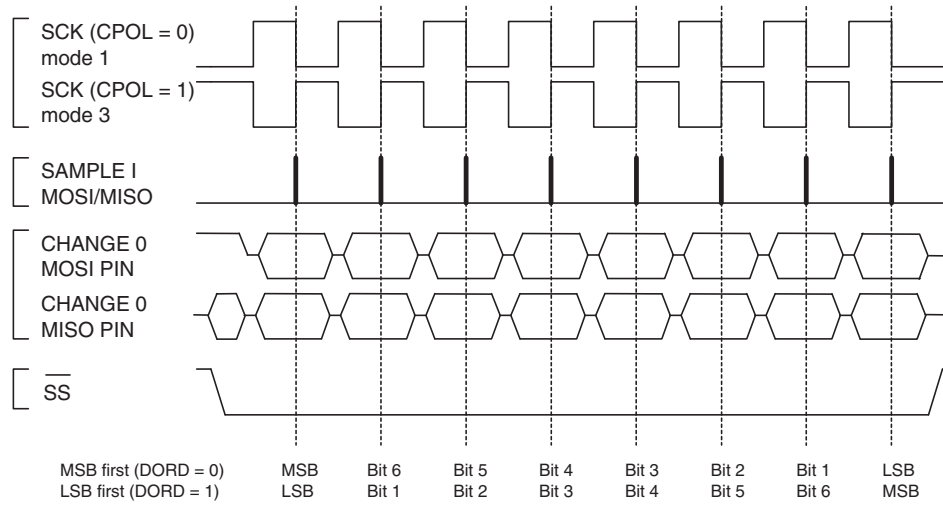
**Table 20-2. SPI Modes**

| SPI Mode | Conditions     | Leading Edge     | Trailing Edge    |
|----------|----------------|------------------|------------------|
| 0        | CPOL=0, CPHA=0 | Sample (Rising)  | Setup (Falling)  |
| 1        | CPOL=0, CPHA=1 | Setup (Rising)   | Sample (Falling) |
| 2        | CPOL=1, CPHA=0 | Sample (Falling) | Setup (Rising)   |
| 3        | CPOL=1, CPHA=1 | Setup (Falling)  | Sample (Rising)  |

**Figure 20-3. SPI Transfer Format with CPHA = 0**



**Figure 20-4. SPI Transfer Format with CPHA = 1**



## 20.5 Register Description

### 20.5.1 SPCR – SPI Control Register

| Bit           | 7  | 6   | 5   | 4   | 3   | 2   | 1   | 0   |             |
|---------------|--|-----|-----|-----|-----|-----|-----|-----|-------------|
| 0x2C (0x4C)   | <b>SPIE</b> <b>SPE</b> <b>DORD</b> <b>MSTR</b> <b>CPOL</b> <b>CPHA</b> <b>SPR1</b> <b>SPR0</b> |     |     |     |     |     |     |     | <b>SPCR</b> |
| Read/Write    | R/W  | R/W | R/W | R/W | R/W | R/W | R/W | R/W |             |
| Initial Value | 0  | 0   | 0   | 0   | 0   | 0   | 0   | 0   |             |

- **Bit 7 – SPIE: SPI Interrupt Enable**

This bit causes the SPI interrupt to be executed if SPIF bit in the SPSR Register is set and the if the Global Interrupt Enable bit in SREG is set.

- **Bit 6 – SPE: SPI Enable**

When the SPE bit is written to one, the SPI is enabled. This bit must be set to enable any SPI operations.

- **Bit 5 – DORD: Data Order**

When the DORD bit is written to one, the LSB of the data word is transmitted first.

When the DORD bit is written to zero, the MSB of the data word is transmitted first.

- **Bit 4 – MSTR: Master/Slave Select**

This bit selects Master SPI mode when written to one, and Slave SPI mode when written logic zero. If  $\overline{SS}$  is configured as an input and is driven low while MSTR is set, MSTR will be cleared, and SPIF in SPSR will become set. The user will then have to set MSTR to re-enable SPI Master mode.

- **Bit 3 – CPOL: Clock Polarity**

When this bit is written to one, SCK is high when idle. When CPOL is written to zero, SCK is low when idle. Refer to [Figure 20-3 on page 173](#) and [Figure 20-4 on page 174](#) for an example.

The CPOL functionality is summarized below:

**Table 20-3. CPOL Functionality**

| CPOL | Leading Edge | Trailing Edge |
|------|--------------|---------------|
| 0    | Rising       | Falling       |
| 1    | Falling      | Rising        |

- **Bit 2 – CPHA: Clock Phase**

The settings of the Clock Phase bit (CPHA) determine if data is sampled on the leading (first) or trailing (last) edge of SCK. Refer to [Figure 20-3 on page 173](#) and [Figure 20-4 on page 174](#) for an example.

The CPOL functionality is summarized below:

**Table 20-4. CPHA Functionality**

| CPHA | Leading Edge | Trailing Edge |
|------|--------------|---------------|
| 0    | Sample       | Setup         |
| 1    | Setup        | Sample        |

- **Bits 1, 0 – SPR1, SPR0: SPI Clock Rate Select 1 and 0**

These two bits control the SCK rate of the device configured as a Master. SPR1 and SPR0 have no effect on the Slave. The relationship between SCK and the Oscillator Clock frequency  $f_{osc}$  is shown in [Table 20-5 on page 176](#).

**Table 20-5. Relationship Between SCK and the Oscillator Frequency**

| SPI2X | SPR1 | SPR0 | SCK Frequency |
|-------|------|------|---------------|
| 0     | 0    | 0    | $f_{osc}/4$   |
| 0     | 0    | 1    | $f_{osc}/16$  |
| 0     | 1    | 0    | $f_{osc}/64$  |
| 0     | 1    | 1    | $f_{osc}/128$ |
| 1     | 0    | 0    | $f_{osc}/2$   |
| 1     | 0    | 1    | $f_{osc}/8$   |
| 1     | 1    | 0    | $f_{osc}/32$  |
| 1     | 1    | 1    | $f_{osc}/64$  |

## 20.5.2 SPSR – SPI Status Register

| Bit           | 7           | 6           | 5 | 4 | 3 | 2 | 1 | 0            |             |
|---------------|-------------|-------------|---|---|---|---|---|--------------|-------------|
| 0x2D (0x4D)   | <b>SPIF</b> | <b>WCOL</b> | – | – | – | – | – | <b>SPI2X</b> | <b>SPSR</b> |
| Read/Write    | R           | R           | R | R | R | R | R | R/W          |             |
| Initial Value | 0           | 0           | 0 | 0 | 0 | 0 | 0 | 0            |             |

- **Bit 7 – SPIF: SPI Interrupt Flag**

When a serial transfer is complete, the SPIF Flag is set. An interrupt is generated if SPIE in SPCR is set and global interrupts are enabled. If  $\overline{SS}$  is an input and is driven low when the SPI is in Master mode, this will also set the SPIF Flag. SPIF is cleared by hardware when executing the corresponding interrupt handling vector. Alternatively, the SPIF bit is cleared by first reading the SPI Status Register with SPIF set, then accessing the SPI Data Register (SPDR).

- **Bit 6 – WCOL: Write COLLision Flag**

The WCOL bit is set if the SPI Data Register (SPDR) is written during a data transfer. The WCOL bit (and the SPIF bit) are cleared by first reading the SPI Status Register with WCOL set, and then accessing the SPI Data Register.

- **Bit [5:1] – Reserved**

These bits are unused and reserved for future use. For compatibility with future devices, always write these bits to zero when this register is written. These bits will always return zero when read.

- **Bit 0 – SPI2X: Double SPI Speed Bit**

When this bit is written logic one the SPI speed (SCK Frequency) will be doubled when the SPI is in Master mode (see [Table 20-5 on page 176](#)). This means that the minimum SCK period will be two CPU clock periods. When the SPI is configured as Slave, the SPI is only ensured to work at  $f_{osc}/4$  or lower.

The SPI interface on the ATmega48PB/88PB/168PB is also used for program memory and EEPROM downloading or uploading. See ["Serial Downloading" on page 305](#) for serial programming and verification.



## 20.5.3 SPDR – SPI Data Register

|               |   |     |     |     |     |     |     |     |             |
|---------------|---|-----|-----|-----|-----|-----|-----|-----|-------------|
| Bit           | 7   | 6   | 5   | 4   | 3   | 2   | 1   | 0   |             |
| 0x2E (0x4E)   | <div style="display: flex; justify-content: space-between; align-items: center;"> <span style="margin-left: 5px;"><b>MSB</b></span> <span style="margin-right: 5px;"><b>LSB</b></span> </div> |     |     |     |     |     |     |     | <b>SPDR</b> |
| Read/Write    | R/W   | R/W | R/W | R/W | R/W | R/W | R/W | R/W |             |
| Initial Value | X   | X   | X   | X   | X   | X   | X   | X   | Undefined   |

The SPI Data Register is a read/write register used for data transfer between the Register File and the SPI Shift Register. Writing to the register initiates data transmission. Reading the register causes the Shift Register Receive buffer to be read.

## 21. USART0

### 21.1 Features

- Full Duplex Operation (Independent Serial Receive and Transmit Registers)
- Asynchronous or Synchronous Operation
- Master or Slave Clocked Synchronous Operation
- High Resolution Baud Rate Generator
- Supports Serial Frames with 5, 6, 7, 8, or 9 Data Bits and 1 or 2 Stop Bits
- Odd or Even Parity Generation and Parity Check Supported by Hardware
- Data OverRun Detection
- Framing Error Detection
- Noise Filtering Includes False Start Bit Detection and Digital Low Pass Filter
- Three Separate Interrupts on TX Complete, TX Data Register Empty and RX Complete
- Multi-processor Communication Mode
- Double Speed Asynchronous Communication Mode
- Start Frame Detection

### 21.2 Overview

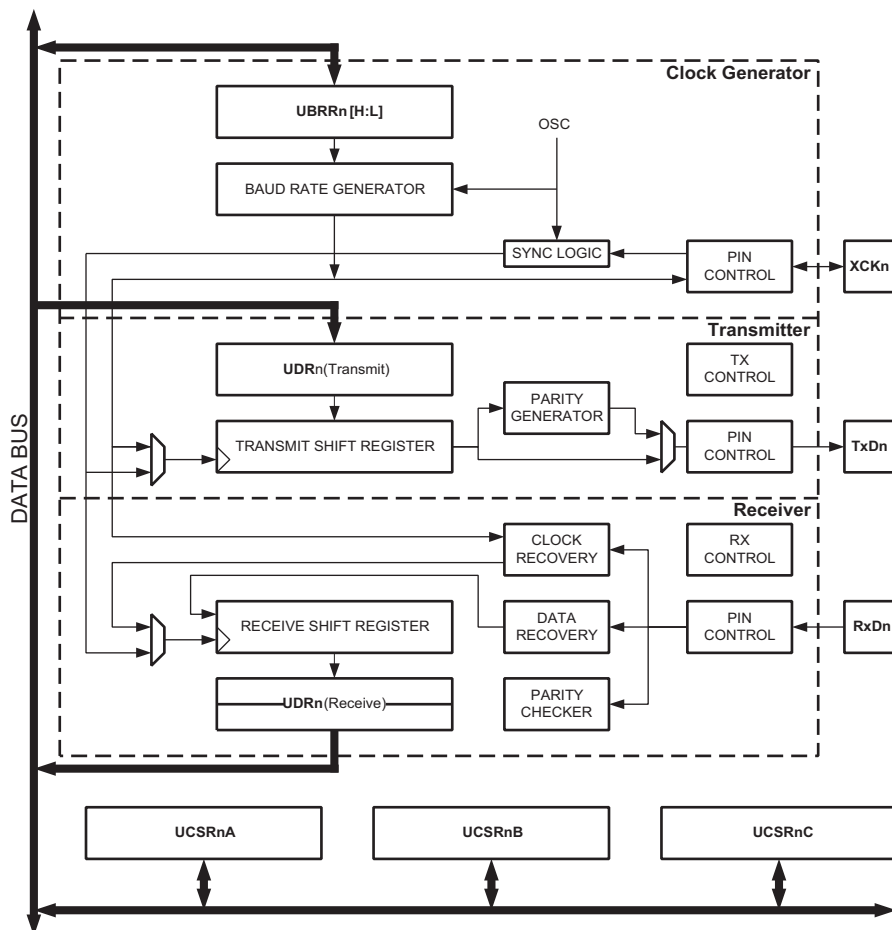
The Universal Synchronous and Asynchronous serial Receiver and Transmitter (USART) is a highly flexible serial communication device.

The USART0 can also be used in Master SPI mode, see [“USART in SPI Mode” on page 206](#). The Power Reduction USART bit, PRUSART0, in [“Minimizing Power Consumption” on page 49](#) must be disabled by writing a logical zero to it.

A simplified block diagram of the USART Transmitter is shown in [Figure 21-1 on page 179](#). CPU accessible I/O Registers and I/O pins are shown in bold.

The dashed boxes in the block diagram separate the three main parts of the USART (listed from the top): Clock Generator, Transmitter, and Receiver. Control Registers are shared by all units. The Clock Generation logic consists of synchronization logic for external clock input used by synchronous slave operation, and the baud rate generator. The XCKn (Transfer Clock) pin is only used by synchronous transfer mode. The Transmitter consists of a single write buffer, a serial Shift Register, Parity Generator, and Control logic for handling different serial frame formats. The write buffer allows a continuous transfer of data without any delay between frames. The Receiver is the most complex part of the USART module due to its clock and data recovery units. The recovery units are used for asynchronous data reception. In addition to the recovery units, the Receiver includes a Parity Checker, Control logic, a Shift Register, and a two level receive buffer (UDRn). The Receiver supports the same frame formats as the Transmitter, and can detect Frame Error, Data OverRun, and Parity Errors.

Figure 21-1. USART Block Diagram<sup>(1)</sup>



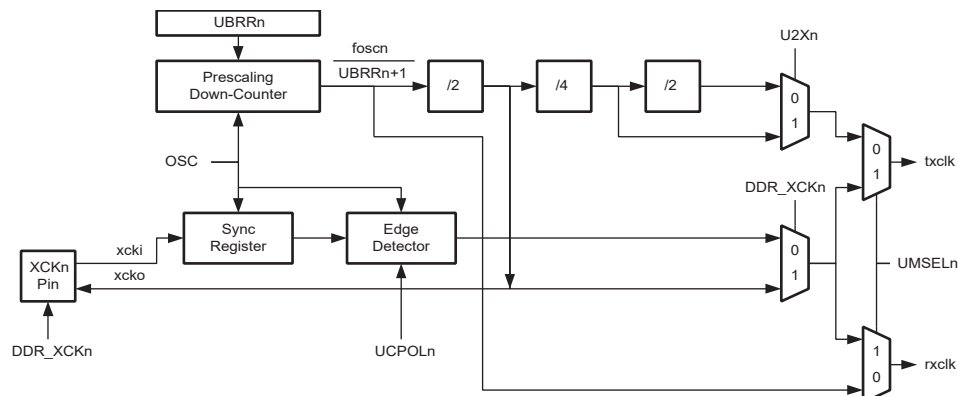
Note: 1. Refer to [Figure 2-1 on page 10](#) and [Table 15-9 on page 94](#) for USART0 pin placement.

## 21.3 Clock Generation

The Clock Generation logic generates the base clock for the Transmitter and Receiver. The USART supports four modes of clock operation: Normal asynchronous, Double Speed asynchronous, Master synchronous and Slave synchronous mode. The **UMSELn** bit in USART Control and Status Register C (**UCSRnC**) selects between asynchronous and synchronous operation. Double Speed (asynchronous mode only) is controlled by the **U2Xn** found in the **UCSRnA** Register. When using synchronous mode (**UMSELn = 1**), the Data Direction Register for the **XCKn** pin (**DDR\_XCKn**) controls whether the clock source is internal (Master mode) or external (Slave mode). The **XCKn** pin is only active when using synchronous mode.

Figure 21-2 shows a block diagram of the clock generation logic.

**Figure 21-2. Clock Generation Logic, Block Diagram**



Signal description:

**txclk** Transmitter clock (Internal Signal).

**rxclk** Receiver base clock (Internal Signal).

**xcki** Input from XCK pin (internal Signal). Used for synchronous slave operation.

**xcko** Clock output to XCK pin (Internal Signal). Used for synchronous master operation.

**fosc** System clock frequency.

### 21.3.1 Internal Clock Generation – The Baud Rate Generator

Internal clock generation is used for the asynchronous and the synchronous master modes of operation. The description in this section refers to [Figure 21-2](#).

The USART Baud Rate Register (UBRRn) and the down-counter connected to it function as a programmable prescaler or baud rate generator. The down-counter, running at system clock ( $f_{osc}$ ), is loaded with the UBRRn value each time the counter has counted down to zero or when the UBRRnL Register is written. A clock is generated each time the counter reaches zero. This clock is the baud rate generator clock output ( $= f_{osc}/(UBRRn+1)$ ). The Transmitter divides the baud rate generator clock output by 2, 8, or 16 depending on mode. The baud rate generator output is used directly by the Receiver's clock and data recovery units. However, the recovery units use a state machine that uses 2, 8, or 16 states depending on mode set by the state of the UMSELn, U2Xn and DDR\_XCKn bits.

Table 21-1 contains equations for calculating the baud rate (in bits per second) and for calculating the UBRRn value for each mode of operation using an internally generated clock source.

**Table 21-1. Equations for Calculating Baud Rate Register Setting**

| Operating Mode                               | Equation for Calculating Baud Rate <sup>(1)</sup> | Equation for Calculating UBRRn Value |
|--|---|--------------------------------------|
| Asynchronous Normal mode<br>(U2Xn = 0)       | $BAUD = \frac{f_{OSC}}{16(UBRRn + 1)}$            | $UBRRn = \frac{f_{OSC}}{16BAUD} - 1$ |
| Asynchronous Double Speed mode<br>(U2Xn = 1) | $BAUD = \frac{f_{OSC}}{8(UBRRn + 1)}$             | $UBRRn = \frac{f_{OSC}}{8BAUD} - 1$  |
| Synchronous Master mode                      | $BAUD = \frac{f_{OSC}}{2(UBRRn + 1)}$             | $UBRRn = \frac{f_{OSC}}{2BAUD} - 1$  |

Note: 1. The baud rate is defined to be the transfer rate in bit per second (bps)

- BAUD**      Baud rate (in bits per second, bps)
- f<sub>osc</sub>**      System Oscillator clock frequency
- UBRRn**      Contents of the UBRRnH and UBRRnL Registers, (0-4095)

Some examples of UBRRn values for some system clock frequencies are found in [Table 21-6 on page 196](#).

### 21.3.2 Double Speed Operation (U2Xn)

The transfer rate can be doubled by setting the U2Xn bit in UCSRnA. Setting this bit only has effect for the asynchronous operation. Set this bit to zero when using synchronous operation.

Setting this bit will reduce the divisor of the baud rate divider from 16 to 8, effectively doubling the transfer rate for asynchronous communication. Note however that the Receiver will in this case only use half the number of samples (reduced from 16 to 8) for data sampling and clock recovery, and therefore a more accurate baud rate setting and system clock are required when this mode is used. For the Transmitter, there are no downsides.

### 21.3.3 External Clock

External clocking is used by the synchronous slave modes of operation. The description in this section refers to [Figure 21-2 on page 180](#) for details.

External clock input from the XCKn pin is sampled by a synchronization register to minimize the chance of metastability. The output from the synchronization register must then pass through an edge detector before it can be used by the Transmitter and Receiver. This process introduces a two CPU clock period delay and therefore the maximum external XCKn clock frequency is limited by the following equation:

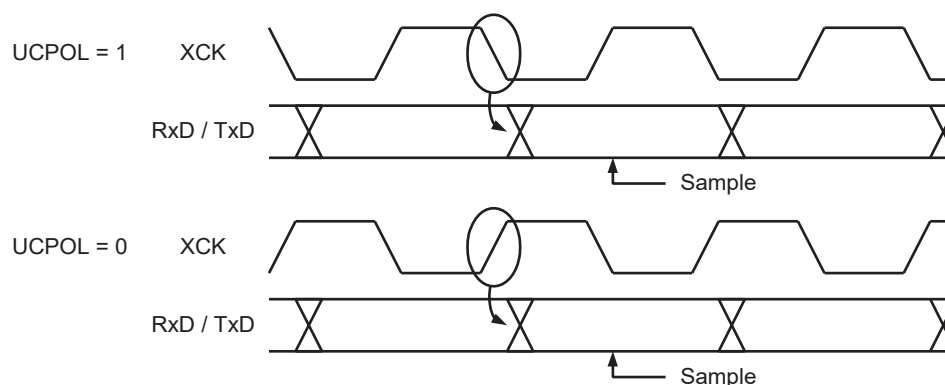
$$f_{XCK} < \frac{f_{OSC}}{4}$$

Note that  $f_{osc}$  depends on the stability of the system clock source. It is therefore recommended to add some margin to avoid possible loss of data due to frequency variations.

### 21.3.4 Synchronous Clock Operation

When synchronous mode is used (UMSELn = 1), the XCKn pin will be used as either clock input (Slave) or clock output (Master). The dependency between the clock edges and data sampling or data change is the same. The basic principle is that data input (on RxDn) is sampled at the opposite XCKn clock edge of the edge the data output (TxDn) is changed.

**Figure 21-3. Synchronous Mode XCKn Timing.**



The UC POLn bit UCRSC selects which XCKn clock edge is used for data sampling and which is used for data change. As [Figure 21-3](#) shows, when UC POLn is zero the data will be changed at rising XCKn edge and sampled at falling XCKn edge. If UC POLn is set, the data will be changed at falling XCKn edge and sampled at rising XCKn edge.

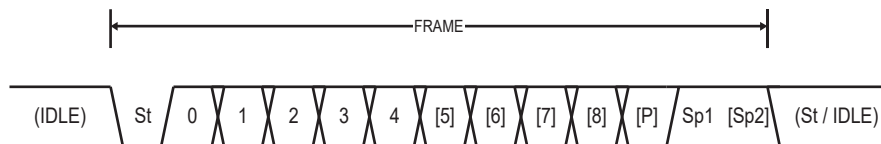
## 21.4 Frame Formats

A serial frame is defined to be one character of data bits with synchronization bits (start and stop bits), and optionally a parity bit for error checking. The USART accepts all 30 combinations of the following as valid frame formats:

- 1 start bit
- 5, 6, 7, 8, or 9 data bits
- no, even or odd parity bit
- 1 or 2 stop bits

A frame starts with the start bit followed by the least significant data bit. Then the next data bits, up to a total of nine, are succeeding, ending with the most significant bit. If enabled, the parity bit is inserted after the data bits, before the stop bits. When a complete frame is transmitted, it can be directly followed by a new frame, or the communication line can be set to an idle (high) state. [Figure 21-4 on page 183](#) illustrates the possible combinations of the frame formats. Bits inside brackets are optional.

**Figure 21-4. Frame Formats**



- St** Start bit, always low.
- (n)** Data bits (0 to 8).
- P** Parity bit. Can be odd or even.
- Sp** Stop bit, always high.
- IDLE** No transfers on the communication line (RxDn or TxDn). An IDLE line must be high.

The frame format used by the USART is set by the UCSZn2:0, UPMn1:0 and USBSn bits in UCSRnB and UCSRnC. The Receiver and Transmitter use the same setting. Note that changing the setting of any of these bits will corrupt all ongoing communication for both the Receiver and Transmitter.

The USART Character SiZe (UCSZn2:0) bits select the number of data bits in the frame. The USART Parity mode (UPMn1:0) bits enable and set the type of parity bit. The selection between one or two stop bits is done by the USART Stop Bit Select (USBSn) bit. The Receiver ignores the second stop bit. An FE (Frame Error) will therefore only be detected in the cases where the first stop bit is zero.

### 21.4.1 Parity Bit Calculation

The parity bit is calculated by doing an exclusive-or of all the data bits. If odd parity is used, the result of the exclusive or is inverted. The relation between the parity bit and data bits is as follows:

$$P_{even} = d_{n-1} \oplus \dots \oplus d_3 \oplus d_2 \oplus d_1 \oplus d_0 \oplus 0$$

$$P_{odd} = d_{n-1} \oplus \dots \oplus d_3 \oplus d_2 \oplus d_1 \oplus d_0 \oplus 1$$

- P<sub>even</sub>** Parity bit using even parity
- P<sub>odd</sub>** Parity bit using odd parity
- d<sub>n</sub>** Data bit n of the character

If used, the parity bit is located between the last data bit and first stop bit of a serial frame.

## 21.5 USART Initialization

The USART has to be initialized before any communication can take place. The initialization process normally consists of setting the baud rate, setting frame format and enabling the Transmitter or the Receiver depending on the usage. For interrupt driven USART operation, the Global Interrupt Flag should be cleared (and interrupts globally disabled) when doing the initialization.

Before doing a re-initialization with changed baud rate or frame format, be sure that there are no ongoing transmissions during the period the registers are changed. The TXCn Flag can be used to check that the Transmitter has completed all transfers, and the RXC Flag can be used to check that there are no unread data in the receive buffer. Note that the TXCn Flag must be cleared before each transmission (before UDRn is written) if it is used for this purpose.

The following simple USART initialization code examples show one assembly and one C function that are equal in functionality. The examples assume asynchronous operation using polling (no interrupts enabled) and a fixed frame format. The baud rate is given as a function parameter. For the assembly code, the baud rate parameter is assumed to be stored in the r17:r16 Registers.

| Assembly Code Example <sup>(1)</sup>   |
|--|
| <pre> USART_Init:     ; Set baud rate     out        UBRRnH, r17     out        UBRRnL, r16     ; Enable receiver and transmitter     ldi        r16, (1&lt;&lt;RXENn) (1&lt;&lt;TXENn)     out        UCSRnB,r16     ; Set frame format: 8data, 2stop bit     ldi        r16, (1&lt;&lt;USBSn) (3&lt;&lt;UCSZn0)     out        UCSRnC,r16     ret         </pre>   |
| C Code Example <sup>(1)</sup>  |
| <pre> #define FOSC 1843200 // Clock Speed #define BAUD 9600 #define MYUBRR FOSC/16/BAUD-1 void main( void ) {     ...     USART_Init(MYUBRR)     ... } void USART_Init( unsigned int ubrr) {     /*Set baud rate */     UBRR0H = (unsigned char) (ubrr&gt;&gt;8);     UBRR0L = (unsigned char)ubrr;     /* Enable receiver and transmitter */     UCSR0B = (1&lt;&lt;RXEN0) (1&lt;&lt;TXEN0);     /* Set frame format: 8data, 2stop bit */     UCSR0C = (1&lt;&lt;USBS0) (3&lt;&lt;UCSZ00); }         </pre> |

Note: 1. See "About Code Examples" on page 16.

More advanced initialization routines can be made that include frame format as parameters, disable interrupts and so on. However, many applications use a fixed setting of the baud and control registers, and for these types of applications the initialization code can be placed directly in the main routine, or be combined with initialization code for other I/O modules.

## 21.6 Data Transmission – The USART Transmitter

The USART Transmitter is enabled by setting the *Transmit Enable* (TXEN) bit in the UCSRnB Register. When the Transmitter is enabled, the normal port operation of the TxDn pin is overridden by the USART and given the function as the Transmitter's serial output. The baud rate, mode of operation and frame format must be set up once before doing any transmissions. If synchronous operation is used, the clock on the XCKn pin will be overridden and used as transmission clock.



### 21.6.1 Sending Frames with 5 to 8 Data Bits

A data transmission is initiated by loading the transmit buffer with the data to be transmitted. The CPU can load the transmit buffer by writing to the UDRn I/O location. The buffered data in the transmit buffer will be moved to the Shift Register when the Shift Register is ready to send a new frame. The Shift Register is loaded with new data if it is in idle state (no ongoing transmission) or immediately after the last stop bit of the previous frame is transmitted. When the Shift Register is loaded with new data, it will transfer one complete frame at the rate given by the Baud Register, U2Xn bit or by XCKn depending on mode of operation.

The following code examples show a simple USART transmit function based on polling of the *Data Register Empty* (UDREN) Flag. When using frames with less than eight bits, the most significant bits written to the UDRn are ignored. The USART has to be initialized before the function can be used. For the assembly code, the data to be sent is assumed to be stored in Register R16.

| Assembly Code Example <sup>(1)</sup>  |
|---|
| <pre> USART_Transmit:     ; Wait for empty transmit buffer     in r16, UCSRnA     sbrc r16, UDREN     rjmp USART_Transmit     ; Put data (r16) into buffer, sends the data     out UDRn,r16     ret </pre>                    |
| C Code Example <sup>(1)</sup>   |
| <pre> void USART_Transmit( unsigned char data ) {     /* Wait for empty transmit buffer */     while ( !( UCSRnA &amp; (1&lt;&lt;UDREN)) )         ;     /* Put data into buffer, sends the data */     UDRn = data; } </pre> |

Note: 1. See "About Code Examples" on page 16.

The function simply waits for the transmit buffer to be empty by checking the UDREN Flag, before loading it with new data to be transmitted. If the Data Register Empty interrupt is utilized, the interrupt routine writes the data into the buffer.

### 21.6.2 Sending Frames with 9 Data Bit

If 9-bit characters are used (UCSZn = 7), the ninth bit must be written to the TXB8 bit in UCSRnB before the low byte of the character is written to UDRn. The following code examples show a transmit function that handles 9-bit characters. For the assembly code, the data to be sent is assumed to be stored in registers R17:R16.

Assembly Code Example<sup>(1)(2)</sup>

```

USART_Transmit:
    ; Wait for empty transmit buffer
    in r16, UCSRA
    sbrc r16, UDREn
    rjmp USART_Transmit
    ; Copy 9th bit from r17 to TXB8
    cbi UCSRA, TXB8
    sbrc r17, 0
    sbi UCSRA, TXB8
    ; Put LSB data (r16) into buffer, sends the data
    out UDR, r16
    ret

```

C Code Example<sup>(1)(2)</sup>

```

void USART_Transmit( unsigned int data )
{
    /* Wait for empty transmit buffer */
    while ( !( UCSRA & (1<<UDREn)) )
        ;
    /* Copy 9th bit to TXB8 */
    UCSRA &= ~(1<<TXB8);
    if ( data & 0x0100 )
        UCSRA |= (1<<TXB8);
    /* Put data into buffer, sends the data */
    UDR = data;
}

```

- Notes:
1. These transmit functions are written to be general functions. They can be optimized if the contents of the UCSRA is static. For example, only the TXB8 bit of the UCSRA Register is used after initialization.
  2. See "About Code Examples" on page 16.

The ninth bit can be used for indicating an address frame when using multi processor communication mode or for other protocol handling as for example synchronization.

### 21.6.3 Transmitter Flags and Interrupts

The USART Transmitter has two flags that indicate its state: USART Data Register Empty (UDREn) and Transmit Complete (TXCn). Both flags can be used for generating interrupts.

The Data Register Empty (UDREn) Flag indicates whether the transmit buffer is ready to receive new data. This bit is set when the transmit buffer is empty, and cleared when the transmit buffer contains data to be transmitted that has not yet been moved into the Shift Register. For compatibility with future devices, always write this bit to zero when writing the UCSRA Register.

When the Data Register Empty Interrupt Enable (UDRIEn) bit in UCSRA is written to one, the USART Data Register Empty Interrupt will be executed as long as UDREn is set (provided that global interrupts are enabled). UDREn is cleared by writing UDR. When interrupt-driven data transmission is used, the Data Register Empty interrupt routine must either write new data to UDR in order to clear UDREn or disable the Data Register Empty interrupt, otherwise a new interrupt will occur once the interrupt routine terminates.

The Transmit Complete (TXCn) Flag bit is set one when the entire frame in the Transmit Shift Register has been shifted out and there are no new data currently present in the transmit buffer. The TXCn Flag bit is automatically cleared when a transmit complete interrupt is executed, or it can be cleared by writing a one to its bit location. The TXCn Flag is useful in half-duplex communication interfaces (like the RS-485 standard), where a transmitting

application must enter receive mode and free the communication bus immediately after completing the transmission.

When the Transmit Complete Interrupt Enable (TXCIEn) bit in UCSRnB is set, the USART Transmit Complete Interrupt will be executed when the TXCn Flag becomes set (provided that global interrupts are enabled). When the transmit complete interrupt is used, the interrupt handling routine does not have to clear the TXCn Flag, this is done automatically when the interrupt is executed.

## 21.6.4 Parity Generator

The Parity Generator calculates the parity bit for the serial frame data. When parity bit is enabled (UPMn1 = 1), the transmitter control logic inserts the parity bit between the last data bit and the first stop bit of the frame that is sent.

## 21.6.5 Disabling the Transmitter

The disabling of the Transmitter (setting the TXEN to zero) will not become effective until ongoing and pending transmissions are completed, i.e., when the Transmit Shift Register and Transmit Buffer Register do not contain data to be transmitted. When disabled, the Transmitter will no longer override the TxDn pin.

## 21.7 Data Reception – The USART Receiver

The USART Receiver is enabled by writing the Receive Enable (RXENn) bit in the UCSRnB Register to one. When the Receiver is enabled, the normal pin operation of the RxDn pin is overridden by the USART and given the function as the Receiver's serial input. The baud rate, mode of operation and frame format must be set up once before any serial reception can be done. If synchronous operation is used, the clock on the XCKn pin will be used as transfer clock.

### 21.7.1 Receiving Frames with 5 to 8 Data Bits

The Receiver starts data reception when it detects a valid start bit. Each bit that follows the start bit will be sampled at the baud rate or XCKn clock, and shifted into the Receive Shift Register until the first stop bit of a frame is received. A second stop bit will be ignored by the Receiver. When the first stop bit is received, i.e., a complete serial frame is present in the Receive Shift Register, the contents of the Shift Register will be moved into the receive buffer. The receive buffer can then be read by reading the UDRn I/O location.

The following code example shows a simple USART receive function based on polling of the Receive Complete (RXCn) Flag. When using frames with less than eight bits the most significant bits of the data read from the UDRn will be masked to zero. The USART has to be initialized before the function can be used.

## Assembly Code Example<sup>(1)</sup>

```

USART_Receive:
    ; Wait for data to be received
    in r16, UCSRA
    sbrc r16, UDREn
    rjmp          USART_Receive
    ; Get and return received data from buffer
    in            r16, UDRn
    ret
    
```

## C Code Example<sup>(1)</sup>

```

unsigned char USART_Receive( void )
{
    /* Wait for data to be received */
    while ( !(UCSRA & (1<<RXCN)) )
        ;
    /* Get and return received data from buffer */
    return UDRn;
}
    
```

Note: 1. [See "About Code Examples" on page 16.](#)

For I/O Registers located in extended I/O map, "IN", "OUT", "SBIS", "SBIC", "CBI", and "SBI" instructions must be replaced with instructions that allow access to extended I/O. Typically "LDS" and "STS" combined with "SBRS", "SBRC", "SBR", and "CBR".

The function simply waits for data to be present in the receive buffer by checking the RXCn Flag, before reading the buffer and returning the value.

### 21.7.2 Receiving Frames with 9 Data Bits

If 9-bit characters are used (UCSZn=7) the ninth bit must be read from the RXB8n bit in UCSRA **before** reading the low bits from the UDRn. This rule applies to the FEn, DORn and UPEn Status Flags as well. Read status from UCSRA, then data from UDRn. Reading the UDRn I/O location will change the state of the receive buffer FIFO and consequently the TXB8n, FEn, DORn and UPEn bits, which all are stored in the FIFO, will change.

The following code example shows a simple USART receive function that handles both nine bit characters and the status bits.

Assembly Code Example<sup>(1)</sup>

```

USART_Receive:
    ; Wait for data to be received
    in r16, UCSRnA
    sbrc r16, RXCn
    rjmp USART_Receive
    ; Get status and 9th bit, then data from buffer
    in r18, UCSRnA
    in r17, UCSRnB
    in r16, UDRn
    ; If error, return -1
    andi r18, (1<<FEn) | (1<<DORn) | (1<<UPEn)
    breq USART_ReceiveNoError
    ldi r17, HIGH(-1)
    ldi r16, LOW(-1)

USART_ReceiveNoError:
    ; Filter the 9th bit, then return
    lsr r17
    andi r17, 0x01
    ret

```

C Code Example<sup>(1)</sup>

```

unsigned int USART_Receive( void )
{
    unsigned char status, resh, resl;
    /* Wait for data to be received */
    while ( !(UCSRnA & (1<<RXCn) )
            ;

    /* Get status and 9th bit, then data */
    /* from buffer */
    status = UCSRnA;
    resh = UCSRnB;
    resl = UDRn;
    /* If error, return -1 */
    if ( status & (1<<FEn) | (1<<DORn) | (1<<UPEn) )
        return -1;
    /* Filter the 9th bit, then return */
    resh = (resh >> 1) & 0x01;
    return ((resh << 8) | resl);
}

```

Note: 1. See "About Code Examples" on page 16.

For I/O Registers located in extended I/O map, "IN", "OUT", "SBIS", "SBIC", "CBI", and "SBI" instructions must be replaced with instructions that allow access to extended I/O. Typically "LDS" and "STS" combined with "SBRS", "SBRC", "SBR", and "CBR".

The receive function example reads all the I/O Registers into the Register File before any computation is done. This gives an optimal receive buffer utilization since the buffer location read will be free to accept new data as early as possible.

### 21.7.3 Receive Compete Flag and Interrupt

The USART Receiver has one flag that indicates the Receiver state.

The Receive Complete (RXCn) Flag indicates if there are unread data present in the receive buffer. This flag is one when unread data exist in the receive buffer, and zero when the receive buffer is empty (i.e., does not contain any

unread data). If the Receiver is disabled ( $RXENn = 0$ ), the receive buffer will be flushed and consequently the  $RXCn$  bit will become zero.

When the Receive Complete Interrupt Enable ( $RXCIEn$ ) in  $UCSRnB$  is set, the USART Receive Complete interrupt will be executed as long as the  $RXCn$  Flag is set (provided that global interrupts are enabled). When interrupt-driven data reception is used, the receive complete routine must read the received data from  $UDRn$  in order to clear the  $RXCn$  Flag, otherwise a new interrupt will occur once the interrupt routine terminates.

#### 21.7.4 Receiver Error Flags

The USART Receiver has three Error Flags: Frame Error ( $FEn$ ), Data OverRun ( $DORn$ ) and Parity Error ( $UPEn$ ). All can be accessed by reading  $UCSRnA$ . Common for the Error Flags is that they are located in the receive buffer together with the frame for which they indicate the error status. Due to the buffering of the Error Flags, the  $UCSRnA$  must be read before the receive buffer ( $UDRn$ ), since reading the  $UDRn$  I/O location changes the buffer read location. Another equality for the Error Flags is that they can not be altered by software doing a write to the flag location. However, all flags must be set to zero when the  $UCSRnA$  is written for upward compatibility of future USART implementations. None of the Error Flags can generate interrupts.

The Frame Error ( $FEn$ ) Flag indicates the state of the first stop bit of the next readable frame stored in the receive buffer. The  $FEn$  Flag is zero when the stop bit was correctly read (as one), and the  $FEn$  Flag will be one when the stop bit was incorrect (zero). This flag can be used for detecting out-of-sync conditions, detecting break conditions and protocol handling. The  $FEn$  Flag is not affected by the setting of the  $USBSn$  bit in  $UCSRnC$  since the Receiver ignores all, except for the first, stop bits. For compatibility with future devices, always set this bit to zero when writing to  $UCSRnA$ .

The Data OverRun ( $DORn$ ) Flag indicates data loss due to a receiver buffer full condition. A Data OverRun occurs when the receive buffer is full (two characters), it is a new character waiting in the Receive Shift Register, and a new start bit is detected. If the  $DORn$  Flag is set there was one or more serial frame lost between the frame last read from  $UDRn$ , and the next frame read from  $UDRn$ . For compatibility with future devices, always write this bit to zero when writing to  $UCSRnA$ . The  $DORn$  Flag is cleared when the frame received was successfully moved from the Shift Register to the receive buffer.

The Parity Error ( $UPEn$ ) Flag indicates that the next frame in the receive buffer had a Parity Error when received. If Parity Check is not enabled the  $UPEn$  bit will always be read zero. For compatibility with future devices, always set this bit to zero when writing to  $UCSRnA$ . For more details see ["Parity Bit Calculation" on page 183](#) and Section [Parity Checker](#).

#### 21.7.5 Parity Checker

The Parity Checker is active when the high USART Parity mode ( $UPMn1$ ) bit is set. Type of Parity Check to be performed (odd or even) is selected by the  $UPMn0$  bit. When enabled, the Parity Checker calculates the parity of the data bits in incoming frames and compares the result with the parity bit from the serial frame. The result of the check is stored in the receive buffer together with the received data and stop bits. The Parity Error ( $UPEn$ ) Flag can then be read by software to check if the frame had a Parity Error.

The  $UPEn$  bit is set if the next character that can be read from the receive buffer had a Parity Error when received and the Parity Checking was enabled at that point ( $UPMn1 = 1$ ). This bit is valid until the receive buffer ( $UDRn$ ) is read.

#### 21.7.6 Disabling the Receiver

In contrast to the Transmitter, disabling of the Receiver will be immediate. Data from ongoing receptions will therefore be lost. When disabled (i.e., the  $RXENn$  is set to zero) the Receiver will no longer override the normal function of the  $RxDn$  port pin. The Receiver buffer FIFO will be flushed when the Receiver is disabled. Remaining data in the buffer will be lost.

## 21.7.7 Flushing the Receive Buffer

The receiver buffer FIFO will be flushed when the Receiver is disabled, i.e., the buffer will be emptied of its contents. Unread data will be lost. If the buffer has to be flushed during normal operation, due to for instance an error condition, read the UDRn I/O location until the RXCn Flag is cleared. The following code example shows how to flush the receive buffer.

| Assembly Code Example <sup>(1)</sup>   |
|--|
| <pre> USART_Flush:     in r16, UCSRnA     sbrc r16, RXCn     ret     in          r16, UDRn     rjmp       USART_Flush         </pre> |
| C Code Example <sup>(1)</sup>  |
| <pre> void USART_Flush( void ) {     unsigned char dummy;     while ( UCSRnA &amp; (1&lt;&lt;RXCn) ) dummy = UDRn; }         </pre>  |

Note: 1. See "About Code Examples" on page 16.

For I/O Registers located in extended I/O map, "IN", "OUT", "SBIS", "SBIC", "CBI", and "SBI" instructions must be replaced with instructions that allow access to extended I/O. Typically "LDS" and "STS" combined with "SBR", "SBRC", "SBR", and "CBR".

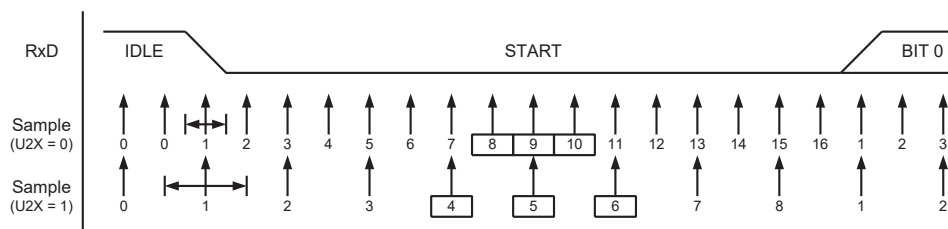
## 21.8 Asynchronous Data Reception

The USART includes a clock recovery and a data recovery unit for handling asynchronous data reception. The clock recovery logic is used for synchronizing the internally generated baud rate clock to the incoming asynchronous serial frames at the RxDn pin. The data recovery logic samples and low pass filters each incoming bit, thereby improving the noise immunity of the Receiver. The asynchronous reception operational range depends on the accuracy of the internal baud rate clock, the rate of the incoming frames, and the frame size in number of bits.

### 21.8.1 Asynchronous Clock Recovery

The clock recovery logic synchronizes internal clock to the incoming serial frames. Figure 21-5 on page 191 illustrates the sampling process of the start bit of an incoming frame. The sample rate is 16 times the baud rate for Normal mode, and eight times the baud rate for Double Speed mode. The horizontal arrows illustrate the synchronization variation due to the sampling process. Note the larger time variation when using the Double Speed mode (U2Xn = 1) of operation. Samples denoted zero are samples done when the RxDn line is idle (i.e., no communication activity).

Figure 21-5. Start Bit Sampling

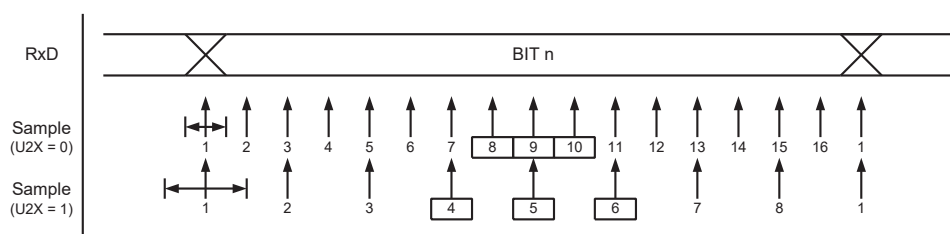


When the clock recovery logic detects a high (idle) to low (start) transition on the RxDn line, the start bit detection sequence is initiated. Let sample 1 denote the first zero-sample as shown in the figure. The clock recovery logic then uses samples 8, 9, and 10 for Normal mode, and samples 4, 5, and 6 for Double Speed mode (indicated with sample numbers inside boxes on the figure), to decide if a valid start bit is received. If two or more of these three samples have logical high levels (the majority wins), the start bit is rejected as a noise spike and the Receiver starts looking for the next high to low-transition. If however, a valid start bit is detected, the clock recovery logic is synchronized and the data recovery can begin. The synchronization process is repeated for each start bit.

## 21.8.2 Asynchronous Data Recovery

When the receiver clock is synchronized to the start bit, the data recovery can begin. The data recovery unit uses a state machine that has 16 states for each bit in Normal mode and eight states for each bit in Double Speed mode. [Figure 21-6](#) shows the sampling of the data bits and the parity bit. Each of the samples is given a number that is equal to the state of the recovery unit.

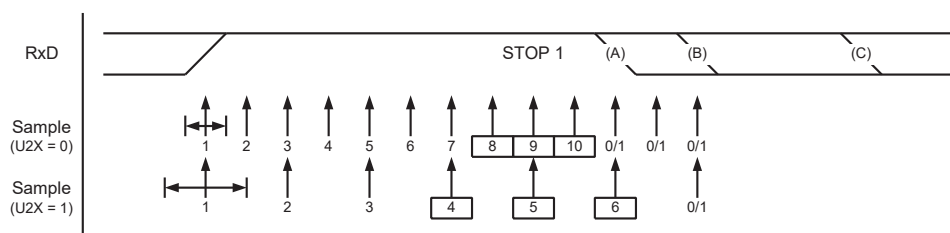
**Figure 21-6. Sampling of Data and Parity Bit**



The decision of the logic level of the received bit is taken by doing a majority voting of the logic value to the three samples in the center of the received bit. The center samples are emphasized on the figure by having the sample number inside boxes. The majority voting process is done as follows: If two or all three samples have high levels, the received bit is registered to be a logic 1. If two or all three samples have low levels, the received bit is registered to be a logic 0. This majority voting process acts as a low pass filter for the incoming signal on the RxDn pin. The recovery process is then repeated until a complete frame is received. Including the first stop bit. Note that the Receiver only uses the first stop bit of a frame.

[Figure 21-7](#) shows the sampling of the stop bit and the earliest possible beginning of the start bit of the next frame.

**Figure 21-7. Stop Bit Sampling and Next Start Bit Sampling**



The same majority voting is done to the stop bit as done for the other bits in the frame. If the stop bit is registered to have a logic 0 value, the Frame Error (FEn) Flag will be set.

A new high to low transition indicating the start bit of a new frame can come right after the last of the bits used for majority voting. For Normal Speed mode, the first low level sample can be at point marked (A) in [Figure 21-7 on page 192](#). For Double Speed mode the first low level must be delayed to (B). (C) marks a stop bit of full length. The early start bit detection influences the operational range of the Receiver.



## 21.8.3 Asynchronous Operational Range

The operational range of the Receiver is dependent on the mismatch between the received bit rate and the internally generated baud rate. If the Transmitter is sending frames at too fast or too slow bit rates, or the internally generated baud rate of the Receiver does not have a similar (see [Table 21-2](#)) base frequency, the Receiver will not be able to synchronize the frames to the start bit.

The following equations can be used to calculate the ratio of the incoming data rate and internal receiver baud rate.

$$R_{slow} = \frac{(D+1)S}{S-1+D \cdot S+S_F} \qquad R_{fast} = \frac{(D+2)S}{(D+1)S+S_M}$$

**D**Sum of character size and parity size (D = 5 to 10 bit)

**S**Samples per bit. S = 16 for Normal Speed mode and S = 8 for Double Speed mode.

**S<sub>F</sub>**First sample number used for majority voting. S<sub>F</sub> = 8 for normal speed and S<sub>F</sub> = 4 for Double Speed mode.

**S<sub>M</sub>**Middle sample number used for majority voting. S<sub>M</sub> = 9 for normal speed and S<sub>M</sub> = 5 for Double Speed mode.

**R<sub>slow</sub>** is the ratio of the slowest incoming data rate that can be accepted in relation to the receiver baud rate. **R<sub>fast</sub>** is the ratio of the fastest incoming data rate that can be accepted in relation to the receiver baud rate.

[Table 21-2](#) and [Table 21-3 on page 193](#) list the maximum receiver baud rate error that can be tolerated. Note that Normal Speed mode has higher toleration of baud rate variations.

**Table 21-2. Recommended Maximum Receiver Baud Rate Error for Normal Speed Mode (U2Xn = 0)**

| D<br># (Data+Parity Bit) | R <sub>slow</sub> [%] | R <sub>fast</sub> [%] | Max. Total Error [%] | Recommended Max.<br>Receiver Error [%] |
|--------------------------|-----------------------|-----------------------|----------------------|--|
| 5                        | 93.20                 | 106.67                | +6.67/-6.8           | ±3.0                                   |
| 6                        | 94.12                 | 105.79                | +5.79/-5.88          | ±2.5                                   |
| 7                        | 94.81                 | 105.11                | +5.11/-5.19          | ±2.0                                   |
| 8                        | 95.36                 | 104.58                | +4.58/-4.54          | ±2.0                                   |
| 9                        | 95.81                 | 104.14                | +4.14/-4.19          | ±1.5                                   |
| 10                       | 96.17                 | 103.78                | +3.78/-3.83          | ±1.5                                   |

**Table 21-3. Recommended Maximum Receiver Baud Rate Error for Double Speed Mode (U2Xn = 1)**

| D<br># (Data+Parity Bit) | R <sub>slow</sub> [%] | R <sub>fast</sub> [%] | Max Total Error [%] | Recommended Max Receiver<br>Error [%] |
|--------------------------|-----------------------|-----------------------|---------------------|---------------------------------------|
| 5                        | 94.12                 | 105.66                | +5.66/-5.88         | ±2.5                                  |
| 6                        | 94.92                 | 104.92                | +4.92/-5.08         | ±2.0                                  |
| 7                        | 95.52                 | 104.35                | +4.35/-4.48         | ±1.5                                  |
| 8                        | 96.00                 | 103.90                | +3.90/-4.00         | ±1.5                                  |
| 9                        | 96.39                 | 103.53                | +3.53/-3.61         | ±1.5                                  |
| 10                       | 96.70                 | 103.23                | +3.23/-3.30         | ±1.0                                  |

The recommendations of the maximum receiver baud rate error was made under the assumption that the Receiver and Transmitter equally divides the maximum total error.

There are two possible sources for the receivers baud rate error. The Receiver's system clock (XTAL) will always have some minor instability over the supply voltage range and the temperature range. When using a crystal to generate the system clock, this is rarely a problem, but for a resonator the system clock may differ more than 2% depending of the resonators tolerance. The second source for the error is more controllable. The baud rate generator can not always do an exact division of the system frequency to get the baud rate wanted. In this case an UBRRn value that gives an acceptable low error can be used if possible.

## 21.8.4 Start Frame Detection

The USART start frame detector can wake up the MCU from Power-down, Standby or ADC Noise Reduction sleep mode when it detects a start bit.

When a high-to-low transition is detected on RxDn, the internal 8MHz oscillator is powered up and the USART clock is enabled. After start-up the rest of the data frame can be received, provided that the baud rate is slow enough in relation to the internal 8MHz oscillator start-up time. Start-up time of the internal 8MHz oscillator varies with supply voltage and temperature.

The USART start frame detection works both in asynchronous and synchronous modes. It is enabled by writing the Start Frame Detection Enable bit (SFDEn). If the USART Start Interrupt Enable (RXSIE) bit is set, the USART Receive Start Interrupt is generated immediately when start is detected.

When using the feature without start interrupt, the start detection logic activates the internal 8MHz oscillator and the USART clock while the frame is being received, only. Other clocks remain stopped until the Receive Complete Interrupt wakes up the MCU.

The maximum baud rate in synchronous mode depends on the sleep mode the device is woken up from, as follows:

- Idle or ADC Noise Reduction sleep mode: system clock frequency divided by four
- Standby or Power-down: 500kbps

The maximum baud rate in asynchronous mode depends on the sleep mode the device is woken up from, as follows:

- Idle sleep mode: the same as in active mode

**Table 21-4. Maximum Total Baudrate Error in Normal Speed Mode**

| Baudrate     | Frame Size     |                |                |                |                |                |
|--------------|----------------|----------------|----------------|----------------|----------------|----------------|
|              | 5              | 6              | 7              | 8              | 9              | 10             |
| 0 - 28.8kbps | +6.67<br>-5.88 | +5.79<br>-5.08 | +5.11<br>-4.48 | +4.58<br>-4.00 | +4.14<br>-3.61 | +3.78<br>-3.30 |
| 38.4kbps     | +6.63<br>-5.88 | +5.75<br>-5.08 | +5.08<br>-4.48 | +4.55<br>-4.00 | +4.12<br>-3.61 | +3.76<br>-3.30 |
| 57.6kbps     | +6.10<br>-5.88 | +5.30<br>-5.08 | +4.69<br>-4.48 | +4.20<br>-4.00 | +3.80<br>-3.61 | +3.47<br>-3.30 |
| 76.8kbps     | +5.59<br>-5.88 | +4.85<br>-5.08 | +4.29<br>-4.48 | +3.85<br>-4.00 | +3.48<br>-3.61 | +3.18<br>-3.30 |
| 115.2kbps    | +4.57<br>-5.88 | +3.97<br>-5.08 | +3.51<br>-4.48 | +3.15<br>-4.00 | +2.86<br>-3.61 | +2.61<br>-3.30 |

**Table 21-5. Maximum Total Baudrate Error in Double Speed Mode**

| Baudrate     | Frame Size     |                |                |                |                |                |
|--------------|----------------|----------------|----------------|----------------|----------------|----------------|
|              | 5              | 6              | 7              | 8              | 9              | 10             |
| 0 - 57.6kbps | +5.66<br>-4.00 | +4.92<br>-3.45 | +4.35<br>-3.03 | +3.90<br>-2.70 | +3.53<br>-2.44 | +3.23<br>-2.22 |
| 76.8kbps     | +5.59<br>-4.00 | +4.85<br>-3.45 | +4.29<br>-3.03 | +3.85<br>-2.70 | +3.48<br>-2.44 | +3.18<br>-2.22 |
| 115.2kbps    | +4.57<br>-4.00 | +3.97<br>-3.45 | +3.51<br>-3.03 | +3.15<br>-2.70 | +2.86<br>-2.44 | +2.61<br>-2.22 |

## 21.9 Multi-processor Communication Mode

Setting the Multi-processor Communication mode (MPCMn) bit in UCSRnA enables a filtering function of incoming frames received by the USART Receiver. Frames that do not contain address information will be ignored and not put into the receive buffer. This effectively reduces the number of incoming frames that has to be handled by the CPU, in a system with multiple MCUs that communicate via the same serial bus. The Transmitter is unaffected by the MPCMn setting, but has to be used differently when it is a part of a system utilizing the Multi-processor Communication mode.

If the Receiver is set up to receive frames that contain 5 to 8 data bits, then the first stop bit indicates if the frame contains data or address information. If the Receiver is set up for frames with nine data bits, then the ninth bit (RXB8n) is used for identifying address and data frames. When the frame type bit (the first stop or the ninth bit) is one, the frame contains an address. When the frame type bit is zero the frame is a data frame.

The Multi-processor Communication mode enables several slave MCUs to receive data from a master MCU. This is done by first decoding an address frame to find out which MCU has been addressed. If a particular slave MCU has been addressed, it will receive the following data frames as normal, while the other slave MCUs will ignore the received frames until another address frame is received.

### 21.9.1 Using MPCMn

For an MCU to act as a master MCU, it can use a 9-bit character frame format (UCSZn = 7). The ninth bit (TXB8n) must be set when an address frame (TXB8n = 1) or cleared when a data frame (TXB = 0) is being transmitted. The slave MCUs must in this case be set to use a 9-bit character frame format.

The following procedure should be used to exchange data in Multi-processor Communication mode:

1. All Slave MCUs are in Multi-processor Communication mode (MPCMn in UCSRnA is set).
2. The Master MCU sends an address frame, and all slaves receive and read this frame. In the Slave MCUs, the RXCn Flag in UCSRnA will be set as normal.
3. Each Slave MCU reads the UDRn Register and determines if it has been selected. If so, it clears the MPCMn bit in UCSRnA, otherwise it waits for the next address byte and keeps the MPCMn setting.
4. The addressed MCU will receive all data frames until a new address frame is received. The other Slave MCUs, which still have the MPCMn bit set, will ignore the data frames.
5. When the last data frame is received by the addressed MCU, the addressed MCU sets the MPCMn bit and waits for a new address frame from master. The process then repeats from 2.

Using any of the 5- to 8-bit character frame formats is possible, but impractical since the Receiver must change between using n and n+1 character frame formats. This makes full-duplex operation difficult since the Transmitter and Receiver uses the same character size setting. If 5- to 8-bit character frames are used, the Transmitter must be set to use two stop bit (USBSn = 1) since the first stop bit is used for indicating the frame type.

Do not use Read-Modify-Write instructions (SBI and CBI) to set or clear the MPCMn bit. The MPCMn bit shares the same I/O location as the TXCn Flag and this might accidentally be cleared when using SBI or CBI instructions.

## 21.10 Examples of Baud Rate Setting

For standard crystal and resonator frequencies, the most commonly used baud rates for asynchronous operation can be generated by using the UBRRn settings in [Table 21-6 on page 196](#). UBRRn values which yield an actual baud rate differing less than 0.5% from the target baud rate, are bold in the table. Higher error ratings are acceptable, but the Receiver will have less noise resistance when the error ratings are high, especially for large serial frames (see ["Asynchronous Operational Range" on page 193](#)). The error values are calculated using the following equation:

$$\text{Error}[\%] = \left( \frac{\text{BaudRate}_{\text{Closest Match}}}{\text{BaudRate}} - 1 \right) \times 100\%$$

**Table 21-6. Examples of UBRRn Settings for Commonly Used Oscillator Frequencies**

| Baud Rate [bps]     | $f_{\text{osc}} = 1.0000\text{MHz}$ |        |          |        | $f_{\text{osc}} = 1.8432\text{MHz}$ |        |           |       | $f_{\text{osc}} = 2.0000\text{MHz}$ |        |          |       |
|---------------------|-------------------------------------|--------|----------|--------|-------------------------------------|--------|-----------|-------|-------------------------------------|--------|----------|-------|
|                     | U2Xn = 0                            |        | U2Xn = 1 |        | U2Xn = 0                            |        | U2Xn = 1  |       | U2Xn = 0                            |        | U2Xn = 1 |       |
|                     | UBRRn                               | Error  | UBRRn    | Error  | UBRRn                               | Error  | UBRRn     | Error | UBRRn                               | Error  | UBRRn    | Error |
| 2400                | 25                                  | 0.2%   | 51       | 0.2%   | 47                                  | 0.0%   | 95        | 0.0%  | 51                                  | 0.2%   | 103      | 0.2%  |
| 4800                | 12                                  | 0.2%   | 25       | 0.2%   | 23                                  | 0.0%   | 47        | 0.0%  | 25                                  | 0.2%   | 51       | 0.2%  |
| 9600                | 6                                   | -7.0%  | 12       | 0.2%   | 11                                  | 0.0%   | 23        | 0.0%  | 12                                  | 0.2%   | 25       | 0.2%  |
| 14.4k               | 3                                   | 8.5%   | 8        | -3.5%  | 7                                   | 0.0%   | 15        | 0.0%  | 8                                   | -3.5%  | 16       | 2.1%  |
| 19.2k               | 2                                   | 8.5%   | 6        | -7.0%  | 5                                   | 0.0%   | 11        | 0.0%  | 6                                   | -7.0%  | 12       | 0.2%  |
| 28.8k               | 1                                   | 8.5%   | 3        | 8.5%   | 3                                   | 0.0%   | 7         | 0.0%  | 3                                   | 8.5%   | 8        | -3.5% |
| 38.4k               | 1                                   | -18.6% | 2        | 8.5%   | 2                                   | 0.0%   | 5         | 0.0%  | 2                                   | 8.5%   | 6        | -7.0% |
| 57.6k               | 0                                   | 8.5%   | 1        | 8.5%   | 1                                   | 0.0%   | 3         | 0.0%  | 1                                   | 8.5%   | 3        | 8.5%  |
| 76.8k               | –                                   | –      | 1        | -18.6% | 1                                   | -25.0% | 2         | 0.0%  | 1                                   | -18.6% | 2        | 8.5%  |
| 115.2k              | –                                   | –      | 0        | 8.5%   | 0                                   | 0.0%   | 1         | 0.0%  | 0                                   | 8.5%   | 1        | 8.5%  |
| 230.4k              | –                                   | –      | –        | –      | –                                   | –      | 0         | 0.0%  | –                                   | –      | –        | –     |
| 250k                | –                                   | –      | –        | –      | –                                   | –      | –         | –     | –                                   | –      | 0        | 0.0%  |
| Max. <sup>(1)</sup> | 62.5kbps                            |        | 125kbps  |        | 115.2kbps                           |        | 230.4kbps |       | 125kbps                             |        | 250kbps  |       |

Note: 1. UBRRn = 0, Error = 0.0%

**Table 21-7. Examples of UBRRn Settings for Commonly Used Oscillator Frequencies (Continued)**

| Baud Rate [bps]     | $f_{osc} = 3.6864\text{MHz}$ |       |           |       | $f_{osc} = 4.0000\text{MHz}$ |       |          |       | $f_{osc} = 7.3728\text{MHz}$ |       |           |       |
|---------------------|------------------------------|-------|-----------|-------|------------------------------|-------|----------|-------|------------------------------|-------|-----------|-------|
|                     | U2Xn = 0                     |       | U2Xn = 1  |       | U2Xn = 0                     |       | U2Xn = 1 |       | U2Xn = 0                     |       | U2Xn = 1  |       |
|                     | UBRRn                        | Error | UBRRn     | Error | UBRRn                        | Error | UBRRn    | Error | UBRRn                        | Error | UBRRn     | Error |
| 2400                | 95                           | 0.0%  | 191       | 0.0%  | 103                          | 0.2%  | 207      | 0.2%  | 191                          | 0.0%  | 383       | 0.0%  |
| 4800                | 47                           | 0.0%  | 95        | 0.0%  | 51                           | 0.2%  | 103      | 0.2%  | 95                           | 0.0%  | 191       | 0.0%  |
| 9600                | 23                           | 0.0%  | 47        | 0.0%  | 25                           | 0.2%  | 51       | 0.2%  | 47                           | 0.0%  | 95        | 0.0%  |
| 14.4k               | 15                           | 0.0%  | 31        | 0.0%  | 16                           | 2.1%  | 34       | -0.8% | 31                           | 0.0%  | 63        | 0.0%  |
| 19.2k               | 11                           | 0.0%  | 23        | 0.0%  | 12                           | 0.2%  | 25       | 0.2%  | 23                           | 0.0%  | 47        | 0.0%  |
| 28.8k               | 7                            | 0.0%  | 15        | 0.0%  | 8                            | -3.5% | 16       | 2.1%  | 15                           | 0.0%  | 31        | 0.0%  |
| 38.4k               | 5                            | 0.0%  | 11        | 0.0%  | 6                            | -7.0% | 12       | 0.2%  | 11                           | 0.0%  | 23        | 0.0%  |
| 57.6k               | 3                            | 0.0%  | 7         | 0.0%  | 3                            | 8.5%  | 8        | -3.5% | 7                            | 0.0%  | 15        | 0.0%  |
| 76.8k               | 2                            | 0.0%  | 5         | 0.0%  | 2                            | 8.5%  | 6        | -7.0% | 5                            | 0.0%  | 11        | 0.0%  |
| 115.2k              | 1                            | 0.0%  | 3         | 0.0%  | 1                            | 8.5%  | 3        | 8.5%  | 3                            | 0.0%  | 7         | 0.0%  |
| 230.4k              | 0                            | 0.0%  | 1         | 0.0%  | 0                            | 8.5%  | 1        | 8.5%  | 1                            | 0.0%  | 3         | 0.0%  |
| 250k                | 0                            | -7.8% | 1         | -7.8% | 0                            | 0.0%  | 1        | 0.0%  | 1                            | -7.8% | 3         | -7.8% |
| 0.5M                | –                            | –     | 0         | -7.8% | –                            | –     | 0        | 0.0%  | 0                            | -7.8% | 1         | -7.8% |
| 1M                  | –                            | –     | –         | –     | –                            | –     | –        | –     | –                            | –     | 0         | -7.8% |
| Max. <sup>(1)</sup> | 230.4kbps                    |       | 460.8kbps |       | 250kbps                      |       | 0.5Mbps  |       | 460.8kbps                    |       | 921.6kbps |       |

1. UBRRn = 0, Error = 0.0%

**Table 21-8. Examples of UBRRn Settings for Commonly Used Oscillator Frequencies (Continued)**

| Baud Rate [bps]     | $f_{osc} = 8.0000\text{MHz}$ |       |          |       | $f_{osc} = 11.0592\text{MHz}$ |       |            |       | $f_{osc} = 14.7456\text{MHz}$ |       |            |       |
|---------------------|------------------------------|-------|----------|-------|-------------------------------|-------|------------|-------|-------------------------------|-------|------------|-------|
|                     | U2Xn = 0                     |       | U2Xn = 1 |       | U2Xn = 0                      |       | U2Xn = 1   |       | U2Xn = 0                      |       | U2Xn = 1   |       |
|                     | UBRRn                        | Error | UBRRn    | Error | UBRRn                         | Error | UBRRn      | Error | UBRRn                         | Error | UBRRn      | Error |
| 2400                | 207                          | 0.2%  | 416      | -0.1% | 287                           | 0.0%  | 575        | 0.0%  | 383                           | 0.0%  | 767        | 0.0%  |
| 4800                | 103                          | 0.2%  | 207      | 0.2%  | 143                           | 0.0%  | 287        | 0.0%  | 191                           | 0.0%  | 383        | 0.0%  |
| 9600                | 51                           | 0.2%  | 103      | 0.2%  | 71                            | 0.0%  | 143        | 0.0%  | 95                            | 0.0%  | 191        | 0.0%  |
| 14.4k               | 34                           | -0.8% | 68       | 0.6%  | 47                            | 0.0%  | 95         | 0.0%  | 63                            | 0.0%  | 127        | 0.0%  |
| 19.2k               | 25                           | 0.2%  | 51       | 0.2%  | 35                            | 0.0%  | 71         | 0.0%  | 47                            | 0.0%  | 95         | 0.0%  |
| 28.8k               | 16                           | 2.1%  | 34       | -0.8% | 23                            | 0.0%  | 47         | 0.0%  | 31                            | 0.0%  | 63         | 0.0%  |
| 38.4k               | 12                           | 0.2%  | 25       | 0.2%  | 17                            | 0.0%  | 35         | 0.0%  | 23                            | 0.0%  | 47         | 0.0%  |
| 57.6k               | 8                            | -3.5% | 16       | 2.1%  | 11                            | 0.0%  | 23         | 0.0%  | 15                            | 0.0%  | 31         | 0.0%  |
| 76.8k               | 6                            | -7.0% | 12       | 0.2%  | 8                             | 0.0%  | 17         | 0.0%  | 11                            | 0.0%  | 23         | 0.0%  |
| 115.2k              | 3                            | 8.5%  | 8        | -3.5% | 5                             | 0.0%  | 11         | 0.0%  | 7                             | 0.0%  | 15         | 0.0%  |
| 230.4k              | 1                            | 8.5%  | 3        | 8.5%  | 2                             | 0.0%  | 5          | 0.0%  | 3                             | 0.0%  | 7          | 0.0%  |
| 250k                | 1                            | 0.0%  | 3        | 0.0%  | 2                             | -7.8% | 5          | -7.8% | 3                             | -7.8% | 6          | 5.3%  |
| 0.5M                | 0                            | 0.0%  | 1        | 0.0%  | –                             | –     | 2          | -7.8% | 1                             | -7.8% | 3          | -7.8% |
| 1M                  | –                            | –     | 0        | 0.0%  | –                             | –     | –          | –     | 0                             | -7.8% | 1          | -7.8% |
| Max. <sup>(1)</sup> | 0.5Mbps                      |       | 1Mbps    |       | 691.2kbps                     |       | 1.3824Mbps |       | 921.6kbps                     |       | 1.8432Mbps |       |

1. UBRRn = 0, Error = 0.0%

**Table 21-9. Examples of UBRRn Settings for Commonly Used Oscillator Frequencies (Continued)**

| Baud Rate [bps]     | $f_{osc} = 16.0000\text{MHz}$ |       |          |       | $f_{osc} = 18.4320\text{MHz}$ |       |           |       | $f_{osc} = 20.0000\text{MHz}$ |       |          |       |
|---------------------|-------------------------------|-------|----------|-------|-------------------------------|-------|-----------|-------|-------------------------------|-------|----------|-------|
|                     | U2Xn = 0                      |       | U2Xn = 1 |       | U2Xn = 0                      |       | U2Xn = 1  |       | U2Xn = 0                      |       | U2Xn = 1 |       |
|                     | UBRRn                         | Error | UBRRn    | Error | UBRRn                         | Error | UBRRn     | Error | UBRRn                         | Error | UBRRn    | Error |
| 2400                | 416                           | -0.1% | 832      | 0.0%  | 479                           | 0.0%  | 959       | 0.0%  | 520                           | 0.0%  | 1041     | 0.0%  |
| 4800                | 207                           | 0.2%  | 416      | -0.1% | 239                           | 0.0%  | 479       | 0.0%  | 259                           | 0.2%  | 520      | 0.0%  |
| 9600                | 103                           | 0.2%  | 207      | 0.2%  | 119                           | 0.0%  | 239       | 0.0%  | 129                           | 0.2%  | 259      | 0.2%  |
| 14.4k               | 68                            | 0.6%  | 138      | -0.1% | 79                            | 0.0%  | 159       | 0.0%  | 86                            | -0.2% | 173      | -0.2% |
| 19.2k               | 51                            | 0.2%  | 103      | 0.2%  | 59                            | 0.0%  | 119       | 0.0%  | 64                            | 0.2%  | 129      | 0.2%  |
| 28.8k               | 34                            | -0.8% | 68       | 0.6%  | 39                            | 0.0%  | 79        | 0.0%  | 42                            | 0.9%  | 86       | -0.2% |
| 38.4k               | 25                            | 0.2%  | 51       | 0.2%  | 29                            | 0.0%  | 59        | 0.0%  | 32                            | -1.4% | 64       | 0.2%  |
| 57.6k               | 16                            | 2.1%  | 34       | -0.8% | 19                            | 0.0%  | 39        | 0.0%  | 21                            | -1.4% | 42       | 0.9%  |
| 76.8k               | 12                            | 0.2%  | 25       | 0.2%  | 14                            | 0.0%  | 29        | 0.0%  | 15                            | 1.7%  | 32       | -1.4% |
| 115.2k              | 8                             | -3.5% | 16       | 2.1%  | 9                             | 0.0%  | 19        | 0.0%  | 10                            | -1.4% | 21       | -1.4% |
| 230.4k              | 3                             | 8.5%  | 8        | -3.5% | 4                             | 0.0%  | 9         | 0.0%  | 4                             | 8.5%  | 10       | -1.4% |
| 250k                | 3                             | 0.0%  | 7        | 0.0%  | 4                             | -7.8% | 8         | 2.4%  | 4                             | 0.0%  | 9        | 0.0%  |
| 0.5M                | 1                             | 0.0%  | 3        | 0.0%  | –                             | –     | 4         | -7.8% | –                             | –     | 4        | 0.0%  |
| 1M                  | 0                             | 0.0%  | 1        | 0.0%  | –                             | –     | –         | –     | –                             | –     | –        | –     |
| Max. <sup>(1)</sup> | 1Mbps                         |       | 2Mbps    |       | 1.152Mbps                     |       | 2.304Mbps |       | 1.25Mbps                      |       | 2.5Mbps  |       |

1. UBRRn = 0, Error = 0.0%

## 21.11 Register Description

### 21.11.1 UDRn – USART I/O Data Register n

|               |          |     |     |     |     |     |     |     |              |
|---------------|----------|-----|-----|-----|-----|-----|-----|-----|--------------|
| Bit           | 7        | 6   | 5   | 4   | 3   | 2   | 1   | 0   |              |
|               | RXB[7:0] |     |     |     |     |     |     |     | UDRn (Read)  |
|               | TXB[7:0] |     |     |     |     |     |     |     | UDRn (Write) |
| Read/Write    | R/W      | R/W | R/W | R/W | R/W | R/W | R/W | R/W |              |
| Initial Value | 0        | 0   | 0   | 0   | 0   | 0   | 0   | 0   |              |

The USART Transmit Data Buffer Register and USART Receive Data Buffer Registers share the same I/O address referred to as USART Data Register or UDRn. The Transmit Data Buffer Register (TXB) will be the destination for data written to the UDRn Register location. Reading the UDRn Register location will return the contents of the Receive Data Buffer Register (RXB).

For 5-, 6-, or 7-bit characters the upper unused bits will be ignored by the Transmitter and set to zero by the Receiver.

The transmit buffer can only be written when the UDREn Flag in the UCSRnA Register is set. Data written to UDRn when the UDREn Flag is not set, will be ignored by the USART Transmitter. When data is written to the transmit buffer, and the Transmitter is enabled, the Transmitter will load the data into the Transmit Shift Register when the Shift Register is empty. Then the data will be serially transmitted on the TxDn pin.

The receive buffer consists of a two level FIFO. The FIFO will change its state whenever the receive buffer is accessed. Due to this behavior of the receive buffer, do not use Read-Modify-Write instructions (SBI and CBI) on this location. Be careful when using bit test instructions (SBIC and SBIS), since these also will change the state of the FIFO.

### 21.11.2 UCSRnA – USART Control and Status Register n A

|               |      |      |       |     |      |      |      |       |        |
|---------------|------|------|-------|-----|------|------|------|-------|--------|
| Bit           | 7    | 6    | 5     | 4   | 3    | 2    | 1    | 0     |        |
|               | RXCn | TXCn | UDREn | FEn | DORn | UPEn | U2Xn | MPCMn | UCSRnA |
| Read/Write    | R    | R/W  | R     | R   | R    | R    | R/W  | R/W   |        |
| Initial Value | 0    | 0    | 1     | 0   | 0    | 0    | 0    | 0     |        |

- **Bit 7 – RXCn: USART Receive Complete**

This flag bit is set when there are unread data in the receive buffer and cleared when the receive buffer is empty (i.e., does not contain any unread data). If the Receiver is disabled, the receive buffer will be flushed and consequently the RXCn bit will become zero. The RXCn Flag can be used to generate a Receive Complete interrupt (see description of the RXCIEn bit).

- **Bit 6 – TXCn: USART Transmit Complete**

This flag bit is set when the entire frame in the Transmit Shift Register has been shifted out and there are no new data currently present in the transmit buffer (UDRn). The TXCn Flag bit is automatically cleared when a transmit complete interrupt is executed, or it can be cleared by writing a one to its bit location. The TXCn Flag can generate a Transmit Complete interrupt (see description of the TXCIEn bit).

- **Bit 5 – UDREn: USART Data Register Empty**

The UDREn Flag indicates if the transmit buffer (UDRn) is ready to receive new data. If UDREn is one, the buffer is empty, and therefore ready to be written. The UDREn Flag can generate a Data Register Empty interrupt (see description of the UDRIEn bit). UDREn is set after a reset to indicate that the Transmitter is ready.



- **Bit 4 – FEn: Frame Error**

This bit is set if the next character in the receive buffer had a Frame Error when received. I.e., when the first stop bit of the next character in the receive buffer is zero. This bit is valid until the receive buffer (UDRn) is read. The FEn bit is zero when the stop bit of received data is one. Always set this bit to zero when writing to UCSRnA.

- **Bit 3 – DORn: Data OverRun**

This bit is set if a Data OverRun condition is detected. A Data OverRun occurs when the receive buffer is full (two characters), it is a new character waiting in the Receive Shift Register, and a new start bit is detected. This bit is valid until the receive buffer (UDRn) is read. Always set this bit to zero when writing to UCSRnA.

- **Bit 2 – UPEn: USART Parity Error**

This bit is set if the next character in the receive buffer had a Parity Error when received and the Parity Checking was enabled at that point (UPMn1 = 1). This bit is valid until the receive buffer (UDRn) is read. Always set this bit to zero when writing to UCSRnA.

- **Bit 1 – U2Xn: Double the USART Transmission Speed**

This bit only has effect for the asynchronous operation. Write this bit to zero when using synchronous operation.

Writing this bit to one will reduce the divisor of the baud rate divider from 16 to 8 effectively doubling the transfer rate for asynchronous communication.

- **Bit 0 – MPCMn: Multi-processor Communication Mode**

This bit enables the Multi-processor Communication mode. When the MPCMn bit is written to one, all the incoming frames received by the USART Receiver that do not contain address information will be ignored. The Transmitter is unaffected by the MPCMn setting. For more detailed information see ["Multi-processor Communication Mode" on page 195](#).

### 21.11.3 UCSRnB – USART Control and Status Register n B

| Bit           | 7                        | 6                        | 5                        | 4                       | 3                       | 2                        | 1                       | 0                       |               |
|---------------|--------------------------|--------------------------|--------------------------|-------------------------|-------------------------|--------------------------|-------------------------|-------------------------|---------------|
|               | <b>RXCIE<sub>n</sub></b> | <b>TXCIE<sub>n</sub></b> | <b>UDRIE<sub>n</sub></b> | <b>RXEN<sub>n</sub></b> | <b>TXEN<sub>n</sub></b> | <b>UCSZ<sub>n2</sub></b> | <b>RXB<sub>8n</sub></b> | <b>TXB<sub>8n</sub></b> | <b>UCSRnB</b> |
| Read/Write    | R/W                      | R/W                      | R/W                      | R/W                     | R/W                     | R/W                      | R                       | R/W                     |               |
| Initial Value | 0                        | 0                        | 0                        | 0                       | 0                       | 0                        | 0                       | 0                       |               |

- **Bit 7 – RXCIE<sub>n</sub>: RX Complete Interrupt Enable n**

Writing this bit to one enables interrupt on the RXC<sub>n</sub> Flag. A USART Receive Complete interrupt will be generated only if the RXCIE<sub>n</sub> bit is written to one, the Global Interrupt Flag in SREG is written to one and the RXC<sub>n</sub> bit in UCSRnA is set.

- **Bit 6 – TXCIE<sub>n</sub>: TX Complete Interrupt Enable n**

Writing this bit to one enables interrupt on the TXC<sub>n</sub> Flag. A USART Transmit Complete interrupt will be generated only if the TXCIE<sub>n</sub> bit is written to one, the Global Interrupt Flag in SREG is written to one and the TXC<sub>n</sub> bit in UCSRnA is set.

- **Bit 5 – UDRIE<sub>n</sub>: USART Data Register Empty Interrupt Enable n**

Writing this bit to one enables interrupt on the UDRE<sub>n</sub> Flag. A Data Register Empty interrupt will be generated only if the UDRIE<sub>n</sub> bit is written to one, the Global Interrupt Flag in SREG is written to one and the UDRE<sub>n</sub> bit in UCSRnA is set.

- **Bit 4 – RXENn: Receiver Enable n**

Writing this bit to one enables the USART Receiver. The Receiver will override normal port operation for the RxDn pin when enabled. Disabling the Receiver will flush the receive buffer invalidating the FEn, DORn, and UPEN Flags.

- **Bit 3 – TXENn: Transmitter Enable n**

Writing this bit to one enables the USART Transmitter. The Transmitter will override normal port operation for the TxDn pin when enabled. The disabling of the Transmitter (writing TXENn to zero) will not become effective until ongoing and pending transmissions are completed, i.e., when the Transmit Shift Register and Transmit Buffer Register do not contain data to be transmitted. When disabled, the Transmitter will no longer override the TxDn port.

- **Bit 2 – UCSZn2: Character Size n**

The UCSZn2 bits combined with the UCSZn1:0 bit in UCSRnC sets the number of data bits (Character SiZe) in a frame the Receiver and Transmitter use.

- **Bit 1 – RXB8n: Receive Data Bit 8 n**

RXB8n is the ninth data bit of the received character when operating with serial frames with nine data bits. Must be read before reading the low bits from UDRn.

- **Bit 0 – TXB8n: Transmit Data Bit 8 n**

TXB8n is the ninth data bit in the character to be transmitted when operating with serial frames with nine data bits. Must be written before writing the low bits to UDRn.

## 21.11.4 UCSRnC – USART Control and Status Register n C

|               |                |                |              |              |              |               |               |               |               |
|---------------|----------------|----------------|--------------|--------------|--------------|---------------|---------------|---------------|---------------|
| Bit           | 7              | 6              | 5            | 4            | 3            | 2             | 1             | 0             |               |
|               | <b>UMSELn1</b> | <b>UMSELn0</b> | <b>UPMn1</b> | <b>UPMn0</b> | <b>USBSn</b> | <b>UCSZn1</b> | <b>UCSZn0</b> | <b>UCPOLn</b> | <b>UCSRnC</b> |
| Read/Write    | R/W            | R/W            | R/W          | R/W          | R/W          | R/W           | R/W           | R/W           |               |
| Initial Value | 0              | 0              | 0            | 0            | 0            | 1             | 1             | 0             |               |

- **Bits 7:6 – UMSELn1:0 USART Mode Select**

These bits select the mode of operation of the USARTn as shown in [Table 21-10](#).

**Table 21-10. UMSELn Bits Settings**

| UMSELn1 | UMSELn0 | Mode                              |
|---------|---------|-----------------------------------|
| 0       | 0       | Asynchronous USART                |
| 0       | 1       | Synchronous USART                 |
| 1       | 0       | (Reserved)                        |
| 1       | 1       | Master SPI (MSPIM) <sup>(1)</sup> |

Note: 1. See "USART in SPI Mode" on page 206 for full description of the Master SPI Mode (MSPIM) operation

- **Bits 5:4 – UPMn1:0: Parity Mode**

These bits enable and set type of parity generation and check. If enabled, the Transmitter will automatically generate and send the parity of the transmitted data bits within each frame. The Receiver will generate a parity value for the incoming data and compare it to the UPMn setting. If a mismatch is detected, the UPEN Flag in UCSRnA will be set.

**Table 21-11. UPMn Bits Settings**

| UPMn1 | UPMn0 | Parity Mode          |
|-------|-------|----------------------|
| 0     | 0     | Disabled             |
| 0     | 1     | Reserved             |
| 1     | 0     | Enabled, Even Parity |
| 1     | 1     | Enabled, Odd Parity  |

- **Bit 3 – USBSn: Stop Bit Select**

This bit selects the number of stop bits to be inserted by the Transmitter. The Receiver ignores this setting.

**Table 21-12. USBS Bit Settings**

| USBSn | Stop Bit(s) |
|-------|-------------|
| 0     | 1-bit       |
| 1     | 2-bit       |

- **Bit 2:1 – UCSZn1:0: Character Size**

The UCSZn1:0 bits combined with the UCSZn2 bit in UCSRnB sets the number of data bits (Character SiZe) in a frame the Receiver and Transmitter use.

**Table 21-13. UCSZn Bits Settings**

| UCSZn2 | UCSZn1 | UCSZn0 | Character Size |
|--------|--------|--------|----------------|
| 0      | 0      | 0      | 5-bit          |
| 0      | 0      | 1      | 6-bit          |
| 0      | 1      | 0      | 7-bit          |
| 0      | 1      | 1      | 8-bit          |
| 1      | 0      | 0      | Reserved       |
| 1      | 0      | 1      | Reserved       |
| 1      | 1      | 0      | Reserved       |
| 1      | 1      | 1      | 9-bit          |

- **Bit 0 – UCPOLn: Clock Polarity**

This bit is used for synchronous mode only. Write this bit to zero when asynchronous mode is used. The UCPOLn bit sets the relationship between data output change and data input sample, and the synchronous clock (XCKn).

**Table 21-14. UCPOLn Bit Settings**

| UCPOLn | Transmitted Data Changed (Output of TxDn Pin) | Received Data Sampled (Input on RxDn Pin) |
|--------|---|---|
| 0      | Rising XCKn Edge                              | Falling XCKn Edge                         |
| 1      | Falling XCKn Edge                             | Rising XCKn Edge                          |

## 21.11.5 UCSRnD – USART Control and Status Register n D

|               |              |            |             |   |   |   |   |   |              |
|---------------|--------------|------------|-------------|---|---|---|---|---|--------------|
| Bit           | 7            | 6          | 5           | 4 | 3 | 2 | 1 | 0 | <b>UCSRD</b> |
| (0xC3)        | <b>RXSIE</b> | <b>RXS</b> | <b>SFDE</b> | - | - | - | - | - |              |
| Read/Write    | R/W          | R/W        | R/W         | R | R | R | R | R |              |
| Initial Value | 0            | 0          | 0           | 0 | 0 | 0 | 0 | 0 |              |

- **Bit 7 – RXSIE: USART RX Start Interrupt Enable**

Writing this bit to one enables the interrupt on the RXS flag. In sleep modes this bit enables start frame detector that can wake up the MCU when a start condition is detected on the RxD line. The USART RX Start Interrupt is generated only, if the RXSIE bit, the Global Interrupt flag, and RXS are set.

- **Bit 6 – RXS: USART RX Start**

The RXS flag is set when a start condition is detected on the RxD line. If the RXSIE bit and the Global Interrupt Enable flag are set, an RX Start Interrupt will be generated when the flag is set. The flag can only be cleared by writing a logical one on the RXS bit location.

If the start frame detector is enabled (RXSIE = 1) and the Global Interrupt Enable flag is set, the RX Start Interrupt will wake up the MCU from all sleep modes.

- **Bit 5 – SFDE: Start Frame Detection Enable**

Writing this bit to one enables the USART Start Frame Detection mode. The start frame detector is able to wake up the MCU from sleep mode when a start condition, i.e. a high (IDLE) to low (START) transition, is detected on the RxD line.

**Table 21-15. USART Start Frame Detection modes**

| SFDE | RXSIE | RXCIE | Description   |
|------|-------|-------|---|
| 0    | X     | X     | Start frame detector disabled   |
| 1    | 0     | 0     | Reserved  |
| 1    | 0     | 1     | Start frame detector enabled. RXC flag wakes up MCU from all sleep modes            |
| 1    | 1     | 0     | Start frame detector enabled. RXS flag wakes up MCU from all sleep modes            |
| 1    | 1     | 1     | Start frame detector enabled. Both RXC and RXS wake up the MCU from all sleep modes |

For more information, see xxxxx.

- **Bit 4:0 – Res: Reserved Bits**

These bits are reserved and will always read zero.

## 21.11.6 UBRRnL and UBRRnH – USART Baud Rate Registers

| Bit           | 15         | 14  | 13  | 12  | 11          | 10  | 9   | 8   |        |
|---------------|------------|-----|-----|-----|-------------|-----|-----|-----|--------|
|               | -          | -   | -   | -   | UBRRn[11:8] |     |     |     | UBRRnH |
|               | UBRRn[7:0] |     |     |     |             |     |     |     | UBRRnL |
|               | 7          | 6   | 5   | 4   | 3           | 2   | 1   | 0   |        |
| Read/Write    | R          | R   | R   | R   | R/W         | R/W | R/W | R/W |        |
|               | R/W        | R/W | R/W | R/W | R/W         | R/W | R/W | R/W |        |
| Initial Value | 0          | 0   | 0   | 0   | 0           | 0   | 0   | 0   |        |
|               | 0          | 0   | 0   | 0   | 0           | 0   | 0   | 0   |        |

- **Bit 15:12 – Reserved**

These bits are reserved for future use. For compatibility with future devices, these bit must be written to zero when UBRRnH is written.

- **Bit 11:0 – UBRR[11:0]: USART Baud Rate Register**

This is a 12-bit register which contains the USART baud rate. The UBRRnH contains the four most significant bits, and the UBRRnL contains the eight least significant bits of the USART baud rate. Ongoing transmissions by the Transmitter and Receiver will be corrupted if the baud rate is changed. Writing UBRRnL will trigger an immediate update of the baud rate prescaler.

## 22. USART in SPI Mode

### 22.1 Features

- Full Duplex, Three-wire Synchronous Data Transfer
- Master Operation
- Supports all four SPI Modes of Operation (Mode 0, 1, 2, and 3)
- LSB First or MSB First Data Transfer (Configurable Data Order)
- Queued Operation (Double Buffered)
- High Resolution Baud Rate Generator
- High Speed Operation ( $f_{XCKmax} = f_{CK}/2$ )
- Flexible Interrupt Generation

### 22.2 Overview

The Universal Synchronous and Asynchronous serial Receiver and Transmitter (USART) can be set to a master SPI compliant mode of operation.

Setting both UMSELn1:0 bits to one enables the USART in MSPIM logic. In this mode of operation the SPI master control logic takes direct control over the USART resources. These resources include the transmitter and receiver shift register and buffers, and the baud rate generator. The parity generator and checker, the data and clock recovery logic, and the RX and TX control logic is disabled. The USART RX and TX control logic is replaced by a common SPI transfer control logic. However, the pin control logic and interrupt generation logic is identical in both modes of operation.

The I/O register locations are the same in both modes. However, some of the functionality of the control registers changes when using MSPIM.

### 22.3 Clock Generation

The Clock Generation logic generates the base clock for the Transmitter and Receiver. For USART MSPIM mode of operation only internal clock generation (i.e. master operation) is supported. The Data Direction Register for the XCKn pin (DDR\_XCKn) must therefore be set to one (i.e. as output) for the USART in MSPIM to operate correctly. Preferably the DDR\_XCKn should be set up before the USART in MSPIM is enabled (i.e. TXENn and RXENn bit set to one).

The internal clock generation used in MSPIM mode is identical to the USART synchronous master mode. The baud rate or UBRRn setting can therefore be calculated using the same equations, see [Table 22-1](#):

**Table 22-1. Equations for Calculating Baud Rate Register Setting**

| Operating Mode          | Equation for Calculating Baud Rate <sup>(1)</sup> | Equation for Calculating UBRRn Value |
|-------------------------|---|--------------------------------------|
| Synchronous Master mode | $BAUD = \frac{f_{OSC}}{2(UBRRn + 1)}$             | $UBRRn = \frac{f_{OSC}}{2BAUD} - 1$  |

Note: 1. The baud rate is defined to be the transfer rate in bit per second (bps)

- BAUD** Baud rate (in bits per second, bps)
- f<sub>osc</sub>** System Oscillator clock frequency
- UBRRn** Contents of the UBRRnH and UBRRnL Registers, (0-4095)

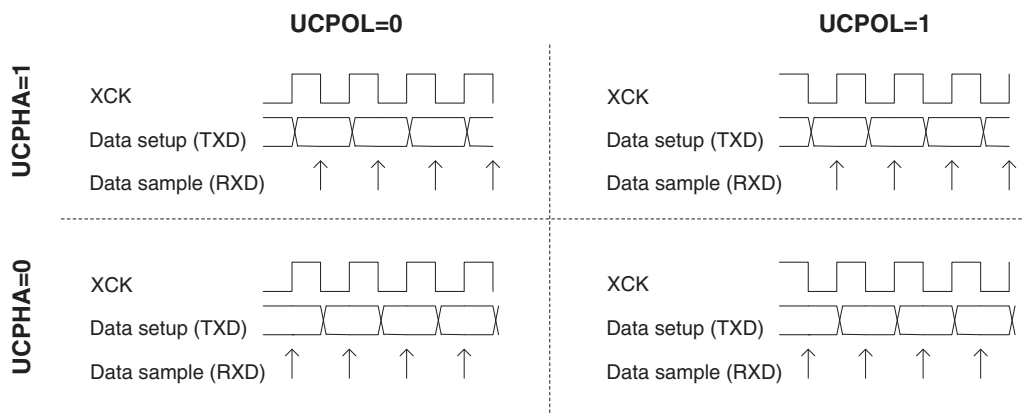
## 22.4 SPI Data Modes and Timing

There are four combinations of XCKn (SCK) phase and polarity with respect to serial data, which are determined by control bits UCPHAN and UCPOLn. The data transfer timing diagrams are shown in Figure 22-1. Data bits are shifted out and latched in on opposite edges of the XCKn signal, ensuring sufficient time for data signals to stabilize. The UCPOLn and UCPHAN functionality is summarized in Table 22-2. Note that changing the setting of any of these bits will corrupt all ongoing communication for both the Receiver and Transmitter.

**Table 22-2. UCPOLn and UCPHAN Functionality**

| UCPOLn | UCPHAn | SPI Mode | Leading Edge     | Trailing Edge    |
|--------|--------|----------|------------------|------------------|
| 0      | 0      | 0        | Sample (Rising)  | Setup (Falling)  |
| 0      | 1      | 1        | Setup (Rising)   | Sample (Falling) |
| 1      | 0      | 2        | Sample (Falling) | Setup (Rising)   |
| 1      | 1      | 3        | Setup (Falling)  | Sample (Rising)  |

**Figure 22-1. UCPHAN and UCPOLn data transfer timing diagrams.**



## 22.5 Frame Formats

A serial frame for the MSPIM is defined to be one character of eight data bits. The USART in MSPIM mode has two valid frame formats:

- 8-bit data with MSB first
- 8-bit data with LSB first

A frame starts with the least or most significant data bit. Then the next data bits, up to a total of eight, are succeeding, ending with the most or least significant bit accordingly. When a complete frame is transmitted, a new frame can directly follow it, or the communication line can be set to an idle (high) state.

The UDORDn bit in UCSRnC sets the frame format used by the USART in MSPIM mode. The Receiver and Transmitter use the same setting. Note that changing the setting of any of these bits will corrupt all ongoing communication for both the Receiver and Transmitter.

16-bit data transfer can be achieved by writing two data bytes to UDRn. A UART transmit complete interrupt will then signal that the 16-bit value has been shifted out.

## 22.5.1 USART MSPIM Initialization

The USART in MSPIM mode has to be initialized before any communication can take place. The initialization process normally consists of setting the baud rate, setting master mode of operation (by setting DDR\_XCKn to one), setting frame format and enabling the Transmitter and the Receiver. Only the transmitter can operate independently. For interrupt driven USART operation, the Global Interrupt Flag should be cleared (and thus interrupts globally disabled) when doing the initialization.

**Note:** To ensure immediate initialization of the XCKn output the baud-rate register (UBRRn) must be zero at the time the transmitter is enabled. Contrary to the normal mode USART operation the UBRRn must then be written to the desired value after the transmitter is enabled, but before the first transmission is started. Setting UBRRn to zero before enabling the transmitter is not necessary if the initialization is done immediately after a reset since UBRRn is reset to zero.

Before doing a re-initialization with changed baud rate, data mode, or frame format, be sure that there is no ongoing transmissions during the period the registers are changed. The TXCn Flag can be used to check that the Transmitter has completed all transfers, and the RXCn Flag can be used to check that there are no unread data in the receive buffer. Note that the TXCn Flag must be cleared before each transmission (before UDRn is written) if it is used for this purpose.

The following simple USART initialization code examples show one assembly and one C function that are equal in functionality. The examples assume polling (no interrupts enabled). The baud rate is given as a function parameter. For the assembly code, the baud rate parameter is assumed to be stored in the r17:r16 registers.



## Assembly Code Example<sup>(1)</sup>

```

USART_Init:
    clr r18
    out UBRRnH,r18
    out UBRRnL,r18
    ; Setting the XCKn port pin as output, enables master
mode.
    sbi XCKn_DDR, XCKn
    ; Set MSPI mode of operation and SPI data mode 0.
    ldi r18,
(1<<UMSELn1)|(1<<UMSELn0)|(0<<UCPHAn)|(0<<UCPOLn)
    out UCSRnC,r18
    ; Enable receiver and transmitter.
    ldi r18, (1<<RXENn)|(1<<TXENn)
    out UCSRnB,r18
    ; Set baud rate.
    ; IMPORTANT: The Baud Rate must be set after the
transmitter is enabled!
    out UBRRnH, r17
    out UBRRnL, r18
    ret

```

## C Code Example<sup>(1)</sup>

```

void USART_Init( unsigned int baud )
{
    UBRRn = 0;
    /* Setting the XCKn port pin as output, enables master
mode. */
    XCKn_DDR |= (1<<XCKn);
    /* Set MSPI mode of operation and SPI data mode 0. */
    UCSRnC =
(1<<UMSELn1)|(1<<UMSELn0)|(0<<UCPHAn)|(0<<UCPOLn);
    /* Enable receiver and transmitter. */
    UCSRnB = (1<<RXENn)|(1<<TXENn);
    /* Set baud rate. */
    /* IMPORTANT: The Baud Rate must be set after the
transmitter is enabled */
    UBRRn = baud;
}

```

Note: 1. [See "About Code Examples" on page 16.](#)

## 22.6 Data Transfer

Using the USART in MSPI mode requires the Transmitter to be enabled, i.e. the TXENn bit in the UCSRnB register is set to one. When the Transmitter is enabled, the normal port operation of the TxDn pin is overridden and given the function as the Transmitter's serial output. Enabling the receiver is optional and is done by setting the RXENn bit in the UCSRnB register to one. When the receiver is enabled, the normal pin operation of the RxDn pin is overridden and given the function as the Receiver's serial input. The XCKn will in both cases be used as the transfer clock.

After initialization the USART is ready for doing data transfers. A data transfer is initiated by writing to the UDRn I/O location. This is the case for both sending and receiving data since the transmitter controls the transfer clock. The data written to UDRn is moved from the transmit buffer to the shift register when the shift register is ready to send a new frame.

**Note:** To keep the input buffer in sync with the number of data bytes transmitted, the UDRn register must be read once for each byte transmitted. The input buffer operation is identical to normal USART mode, i.e. if an overflow occurs the character last received will be lost, not the first data in the buffer. This means that if four bytes are transferred, byte 1 first, then byte 2, 3, and 4, and the UDRn is not read before all transfers are completed, then byte 3 to be received will be lost, and not byte 1.

The following code examples show a simple USART in MSPIM mode transfer function based on polling of the Data Register Empty (UDREN) Flag and the Receive Complete (RXCN) Flag. The USART has to be initialized before the function can be used. For the assembly code, the data to be sent is assumed to be stored in Register R16 and the data received will be available in the same register (R16) after the function returns.

The function simply waits for the transmit buffer to be empty by checking the UDREN Flag, before loading it with new data to be transmitted. The function then waits for data to be present in the receive buffer by checking the RXCN Flag, before reading the buffer and returning the value.

## Assembly Code Example<sup>(1)</sup>

```

USART_MSPIM_Transfer:
    ; Wait for empty transmit buffer
    in r16, UCSRA
    sbrc r16, UDREN
    rjmp USART_MSPIM_Transfer
    ; Put data (r16) into buffer, sends the data
    out UDRn,r16
    ; Wait for data to be received
USART_MSPIM_Wait_RXCn:
    in r16, UCSRA
    sbrc r16, RXCn
    rjmp USART_MSPIM_Wait_RXCn
    ; Get and return received data from buffer
    in r16, UDRn
    ret

```

## C Code Example<sup>(1)</sup>

```

unsigned char USART_Receive( void )
{
    /* Wait for empty transmit buffer */
    while ( !( UCSRA & (1<<UDREN) ) );
    /* Put data into buffer, sends the data */
    UDRn = data;
    /* Wait for data to be received */
    while ( !(UCSRA & (1<<RXCn) ) );
    /* Get and return received data from buffer */
    return UDRn;
}

```

Note: 1. [See "About Code Examples" on page 16.](#)

### 22.6.1 Transmitter and Receiver Flags and Interrupts

The RXCn, TXCn, and UDREN flags and corresponding interrupts in USART in MSPIM mode are identical in function to the normal USART operation. However, the receiver error status flags (FE, DOR, and PE) are not in use and is always read as zero.

### 22.6.2 Disabling the Transmitter or Receiver

The disabling of the transmitter or receiver in USART in MSPIM mode is identical in function to the normal USART operation.

## 22.7 AVR® USART MSPIM vs. AVR® SPI

The USART in MSPIM mode is fully compatible with the AVR SPI regarding:

- Master mode timing diagram
- The UCPOLn bit functionality is identical to the SPI CPOL bit
- The UCPHAn bit functionality is identical to the SPI CPHA bit
- The UDORDn bit functionality is identical to the SPI DORD bit

However, since the USART in MSPIM mode reuses the USART resources, the use of the USART in MSPIM mode is somewhat different compared to the SPI. In addition to differences of the control register bits, and that only master operation is supported by the USART in MSPIM mode, the following features differ between the two modules:

- The USART in MSPIM mode includes (double) buffering of the transmitter. The SPI has no buffer
- The USART in MSPIM mode receiver includes an additional buffer level
- The SPI WCOL (Write Collision) bit is not included in USART in MSPIM mode
- The SPI double speed mode (SPI2X) bit is not included. However, the same effect is achieved by setting UBRRn accordingly
- Interrupt timing is not compatible
- Pin control differs due to the master only operation of the USART in MSPIM mode

A comparison of the USART in MSPIM mode and the SPI pins is shown in [Table 22-3](#).

**Table 22-3. Comparison of USART in MSPIM mode and SPI pins**

| USART_MSPIM | SPI             | Comments                        |
|-------------|-----------------|---------------------------------|
| TxDn        | MOSI            | Master Out only                 |
| RxDn        | MISO            | Master In only                  |
| XCKn        | SCK             | (Functionally identical)        |
| (N/A)       | $\overline{SS}$ | Not supported by USART in MSPIM |

## 22.8 Register Description

The following section describes the registers used for SPI operation using the USART.

### 22.8.1 UDRn – USART MSPIM I/O Data Register

The function and bit description of the USART data register (UDRn) in MSPI mode is identical to normal USART operation. See "[UDRn – USART I/O Data Register n](#)" on page 200.

### 22.8.2 UCSRnA – USART MSPIM Control and Status Register n A

| Bit           | 7           | 6           | 5            | 4 | 3 | 2 | 1 | 0 |               |
|---------------|-------------|-------------|--------------|---|---|---|---|---|---------------|
|               | <b>RXCn</b> | <b>TXCn</b> | <b>UDREn</b> | – | – | – | – | – | <b>UCSRnA</b> |
| Read/Write    | R           | R/W         | R            | R | R | R | R | R |               |
| Initial Value | 0           | 0           | 0            | 0 | 0 | 1 | 1 | 0 |               |

- **Bit 7 – RXCn: USART Receive Complete**

This flag bit is set when there are unread data in the receive buffer and cleared when the receive buffer is empty (i.e., does not contain any unread data). If the Receiver is disabled, the receive buffer will be flushed and consequently the RXCn bit will become zero. The RXCn Flag can be used to generate a Receive Complete interrupt (see description of the RXCIEn bit).

- **Bit 6 – TXCn: USART Transmit Complete**

This flag bit is set when the entire frame in the Transmit Shift Register has been shifted out and there are no new data currently present in the transmit buffer (UDRn). The TXCn Flag bit is automatically cleared when a transmit complete interrupt is executed, or it can be cleared by writing a one to its bit location. The TXCn Flag can generate a Transmit Complete interrupt (see description of the TXCIEn bit).

- **Bit 5 – UDREn: USART Data Register Empty**

The UDREn Flag indicates if the transmit buffer (UDRn) is ready to receive new data. If UDREn is one, the buffer is empty, and therefore ready to be written. The UDREn Flag can generate a Data Register Empty interrupt (see description of the UDRIE bit). UDREn is set after a reset to indicate that the Transmitter is ready.

- **Bit 4:0 – Reserved Bits in MSPI mode**

When in MSPI mode, these bits are reserved for future use. For compatibility with future devices, these bits must be written to zero when UCSRnA is written.

## 22.8.3 UCSRnB – USART MSPIM Control and Status Register n B

|               |        |        |       |       |       |   |   |   |        |
|---------------|--------|--------|-------|-------|-------|---|---|---|--------|
| Bit           | 7      | 6      | 5     | 4     | 3     | 2 | 1 | 0 |        |
|               | RXCIEn | TXCIEn | UDRIE | RXENn | TXENn | - | - | - | UCSRnB |
| Read/Write    | R/W    | R/W    | R/W   | R/W   | R/W   | R | R | R |        |
| Initial Value | 0      | 0      | 0     | 0     | 0     | 1 | 1 | 0 |        |

- **Bit 7 – RXCIEn: RX Complete Interrupt Enable**

Writing this bit to one enables interrupt on the RXCn Flag. A USART Receive Complete interrupt will be generated only if the RXCIEn bit is written to one, the Global Interrupt Flag in SREG is written to one and the RXCn bit in UCSRnA is set.

- **Bit 6 – TXCIEn: TX Complete Interrupt Enable**

Writing this bit to one enables interrupt on the TXCn Flag. A USART Transmit Complete interrupt will be generated only if the TXCIEn bit is written to one, the Global Interrupt Flag in SREG is written to one and the TXCn bit in UCSRnA is set.

- **Bit 5 – UDRIE: USART Data Register Empty Interrupt Enable**

Writing this bit to one enables interrupt on the UDREn Flag. A Data Register Empty interrupt will be generated only if the UDRIE bit is written to one, the Global Interrupt Flag in SREG is written to one and the UDREn bit in UCSRnA is set.

- **Bit 4 – RXENn: Receiver Enable**

Writing this bit to one enables the USART Receiver in MSPIM mode. The Receiver will override normal port operation for the RxDn pin when enabled. Disabling the Receiver will flush the receive buffer. Only enabling the receiver in MSPI mode (i.e. setting RXENn=1 and TXENn=0) has no meaning since it is the transmitter that controls the transfer clock and since only master mode is supported.

- **Bit 3 – TXENn: Transmitter Enable**

Writing this bit to one enables the USART Transmitter. The Transmitter will override normal port operation for the TxDn pin when enabled. The disabling of the Transmitter (writing TXENn to zero) will not become effective until ongoing and pending transmissions are completed, i.e., when the Transmit Shift Register and Transmit Buffer Register do not contain data to be transmitted. When disabled, the Transmitter will no longer override the TxDn port.

- **Bit 2:0 – Reserved Bits in MSPI mode**

When in MSPI mode, these bits are reserved for future use. For compatibility with future devices, these bits must be written to zero when UCSRnB is written.

## 22.8.4 UCSRnC – USART MSPIM Control and Status Register n C

|               |         |         |   |   |   |        |        |        |        |
|---------------|---------|---------|---|---|---|--------|--------|--------|--------|
| Bit           | 7       | 6       | 5 | 4 | 3 | 2      | 1      | 0      |        |
|               | UMSELn1 | UMSELn0 | – | – | – | UDORDn | UCPHAn | UCPOLn | UCSRnC |
| Read/Write    | R/W     | R/W     | R | R | R | R/W    | R/W    | R/W    |        |
| Initial Value | 0       | 0       | 0 | 0 | 0 | 1      | 1      | 0      |        |

- **Bit 7:6 – UMSELn1:0: USART Mode Select**

These bits select the mode of operation of the USART as shown in [Table 22-4](#). See "[UCSRnC – USART Control and Status Register n C](#)" on [page 202](#) for full description of the normal USART operation. The MSPIM is enabled when both UMSELn bits are set to one. The UDORDn, UCPHAn, and UCPOLn can be set in the same write operation where the MSPIM is enabled.

**Table 22-4. UMSELn Bits Settings**

| UMSELn1 | UMSELn0 | Mode               |
|---------|---------|--------------------|
| 0       | 0       | Asynchronous USART |
| 0       | 1       | Synchronous USART  |
| 1       | 0       | Reserved           |
| 1       | 1       | Master SPI (MSPIM) |

- **Bit 5:3 – Reserved Bits in MSPI mode**

When in MSPI mode, these bits are reserved for future use. For compatibility with future devices, these bits must be written to zero when UCSRnC is written.

- **Bit 2 – UDORDn: Data Order**

When set to one the LSB of the data word is transmitted first. When set to zero the MSB of the data word is transmitted first. Refer to the Frame Formats section [page 4](#) for details.

- **Bit 1 – UCPHAn: Clock Phase**

The UCPHAn bit setting determine if data is sampled on the leading edge (first) or trailing (last) edge of XCKn. Refer to the SPI Data Modes and Timing section [page 4](#) for details.

- **Bit 0 – UCPOLn: Clock Polarity**

The UCPOLn bit sets the polarity of the XCKn clock. The combination of the UCPOLn and UCPHAn bit settings determine the timing of the data transfer. Refer to the SPI Data Modes and Timing section [page 4](#) for details.

## 22.8.5 USART MSPIM Baud Rate Registers – UBRRnL and UBRRnH

The function and bit description of the baud rate registers in MSPI mode is identical to normal USART operation. See "[UBRRnL and UBRRnH – USART Baud Rate Registers](#)" on [page 205](#).

## 23. 2-wire Serial Interface (I<sup>2</sup>C)

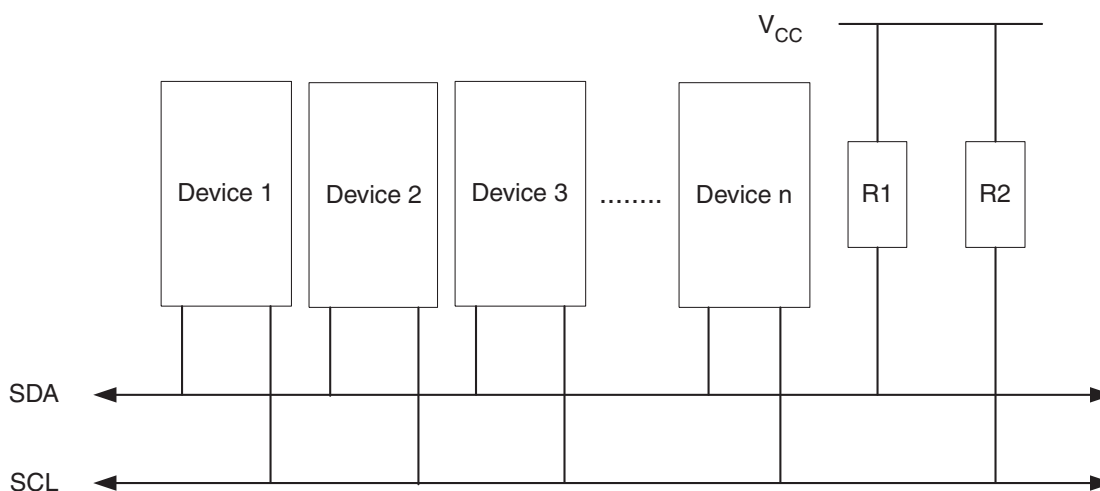
### 23.1 Features

- Simple, yet Powerful and Flexible Communication Interface, only two Bus Lines Needed
- Both Master and Slave Operation Supported
- Device can Operate as Transmitter or Receiver
- 7-bit Address Space Allows up to 128 Different Slave Addresses
- Multi-master Arbitration Support
- Up to 400kHz Data Transfer Speed
- Slew-rate Limited Output Drivers
- Noise Suppression Circuitry Rejects Spikes on Bus Lines
- Fully Programmable Slave Address with General Call Support
- Address Recognition Causes Wake-up When AVR is in Sleep Mode
- Compatible with Phillips' I<sup>2</sup>C protocol

### 23.2 2-wire Serial Interface Bus Definition

The 2-wire Serial Interface (TWI) is ideally suited for typical microcontroller applications. The TWI protocol allows the systems designer to interconnect up to 128 different devices using only two bi-directional bus lines, one for clock (SCL) and one for data (SDA). The only external hardware needed to implement the bus is a single pull-up resistor for each of the TWI bus lines. All devices connected to the bus have individual addresses, and mechanisms for resolving bus contention are inherent in the TWI protocol.

Figure 23-1. TWI Bus Interconnection





## 23.2.1 TWI Terminology

The following definitions are frequently encountered in this section.

**Table 23-1. TWI Terminology**

| Term        | Description   |
|-------------|---|
| Master      | The device that initiates and terminates a transmission. The Master also generates the SCL clock. |
| Slave       | The device addressed by a Master.   |
| Transmitter | The device placing data on the bus.   |
| Receiver    | The device reading data from the bus.   |

The PRTWI bit in ["Minimizing Power Consumption" on page 49](#) must be written to zero to enable the 2-wire Serial Interface.

## 23.2.2 Electrical Interconnection

As depicted in [Figure 23-1 on page 216](#), both bus lines are connected to the positive supply voltage through pull-up resistors. The bus drivers of all TWI-compliant devices are open-drain or open-collector. This implements a wired-AND function which is essential to the operation of the interface. A low level on a TWI bus line is generated when one or more TWI devices output a zero. A high level is output when all TWI devices tri-state their outputs, allowing the pull-up resistors to pull the line high. Note that all AVR devices connected to the TWI bus must be powered in order to allow any bus operation.

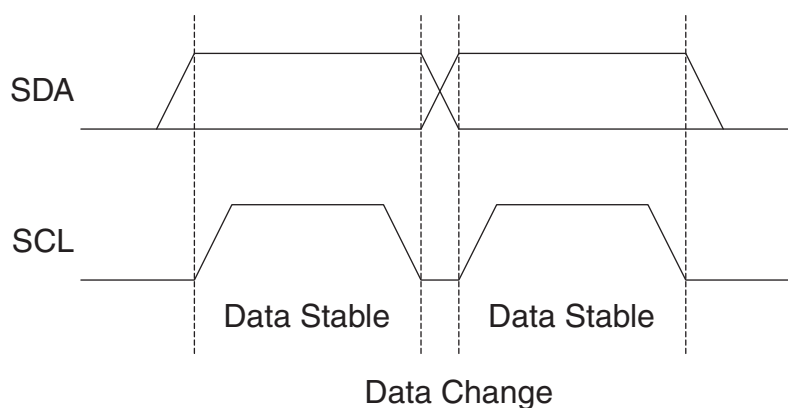
The number of devices that can be connected to the bus is only limited by the bus capacitance limit of 400pF and the 7-bit slave address space. Two different sets of specifications are presented there, one relevant for bus speeds below 100kHz, and one valid for bus speeds up to 400kHz.

## 23.3 Data Transfer and Frame Format

### 23.3.1 Transferring Bits

Each data bit transferred on the TWI bus is accompanied by a pulse on the clock line. The level of the data line must be stable when the clock line is high. The only exception to this rule is for generating start and stop conditions.

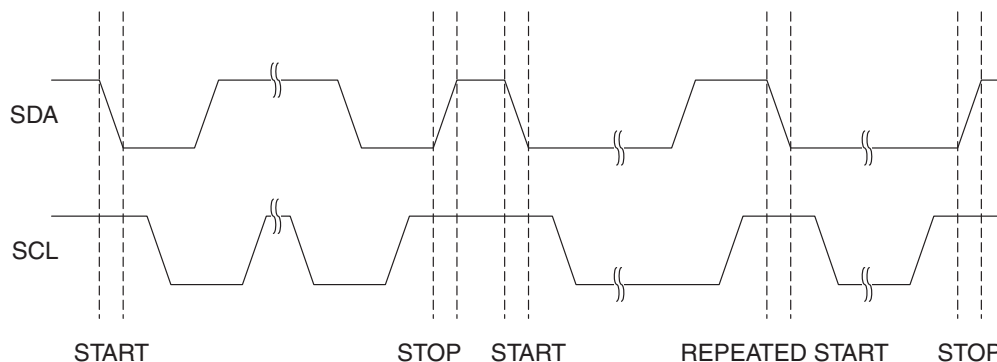
**Figure 23-2. Data Validity**



## 23.3.2 START and STOP Conditions

The Master initiates and terminates a data transmission. The transmission is initiated when the Master issues a START condition on the bus, and it is terminated when the Master issues a STOP condition. Between a START and a STOP condition, the bus is considered busy, and no other master should try to seize control of the bus. A special case occurs when a new START condition is issued between a START and STOP condition. This is referred to as a REPEATED START condition, and is used when the Master wishes to initiate a new transfer without relinquishing control of the bus. After a REPEATED START, the bus is considered busy until the next STOP. This is identical to the START behavior, and therefore START is used to describe both START and REPEATED START for the remainder of this datasheet, unless otherwise noted. As depicted below, START and STOP conditions are signalled by changing the level of the SDA line when the SCL line is high.

**Figure 23-3. START, REPEATED START and STOP conditions**



## 23.3.3 Address Packet Format

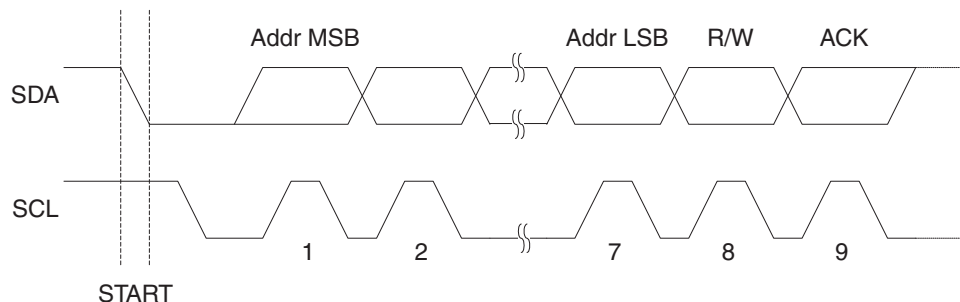
All address packets transmitted on the TWI bus are 9 bits long, consisting of 7 address bits, one READ/WRITE control bit and an acknowledge bit. If the READ/WRITE bit is set, a read operation is to be performed, otherwise a write operation should be performed. When a Slave recognizes that it is being addressed, it should acknowledge by pulling SDA low in the ninth SCL (ACK) cycle. If the addressed Slave is busy, or for some other reason can not service the Master's request, the SDA line should be left high in the ACK clock cycle. The Master can then transmit a STOP condition, or a REPEATED START condition to initiate a new transmission. An address packet consisting of a slave address and a READ or a WRITE bit is called SLA+R or SLA+W, respectively.

The MSB of the address byte is transmitted first. Slave addresses can freely be allocated by the designer, but the address 0000 000 is reserved for a general call.

When a general call is issued, all slaves should respond by pulling the SDA line low in the ACK cycle. A general call is used when a Master wishes to transmit the same message to several slaves in the system. When the general call address followed by a Write bit is transmitted on the bus, all slaves set up to acknowledge the general call will pull the SDA line low in the ack cycle. The following data packets will then be received by all the slaves that acknowledged the general call. Note that transmitting the general call address followed by a Read bit is meaningless, as this would cause contention if several slaves started transmitting different data.

All addresses of the format 1111 xxx should be reserved for future purposes.

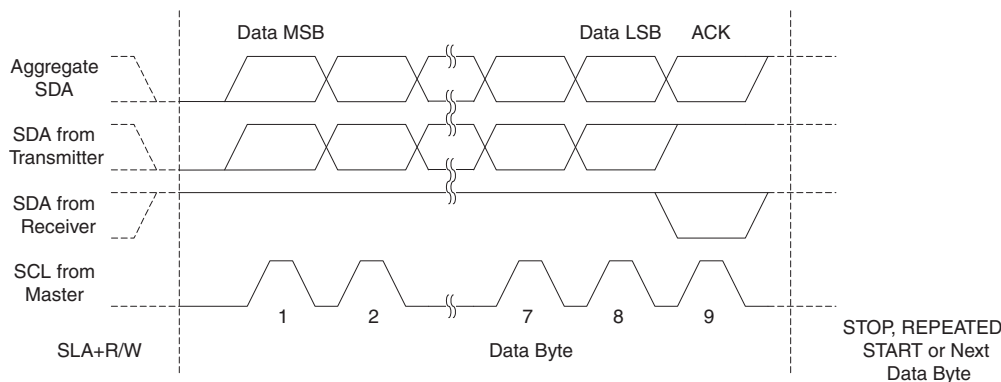
**Figure 23-4. Address Packet Format**



### 23.3.4 Data Packet Format

All data packets transmitted on the TWI bus are nine bits long, consisting of one data byte and an acknowledge bit. During a data transfer, the Master generates the clock and the START and STOP conditions, while the Receiver is responsible for acknowledging the reception. An Acknowledge (ACK) is signalled by the Receiver pulling the SDA line low during the ninth SCL cycle. If the Receiver leaves the SDA line high, a NACK is signalled. When the Receiver has received the last byte, or for some reason cannot receive any more bytes, it should inform the Transmitter by sending a NACK after the final byte. The MSB of the data byte is transmitted first.

**Figure 23-5. Data Packet Format**

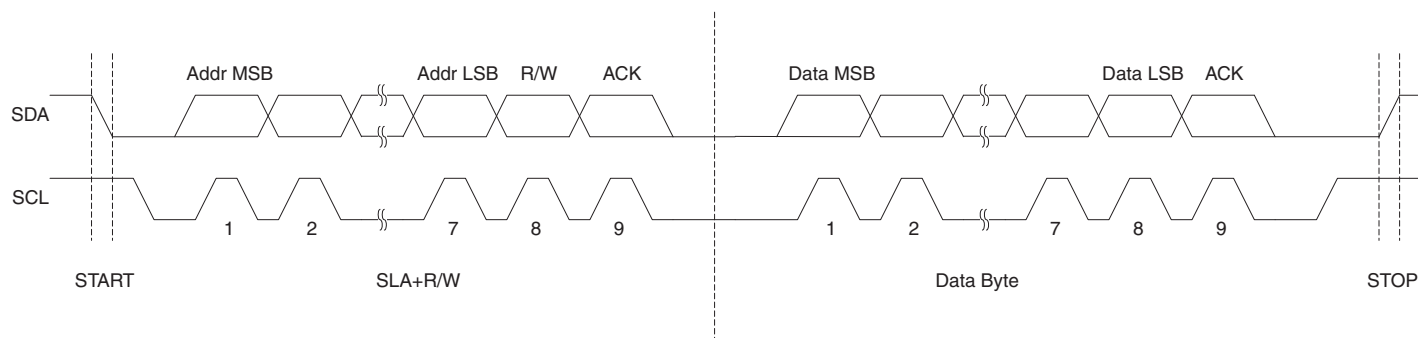


### 23.3.5 Combining Address and Data Packets into a Transmission

A transmission basically consists of a START condition, a SLA+R/W, one or more data packets and a STOP condition. An empty message, consisting of a START followed by a STOP condition, is illegal. Note that the Wired-ANDing of the SCL line can be used to implement handshaking between the Master and the Slave. The Slave can extend the SCL low period by pulling the SCL line low. This is useful if the clock speed set up by the Master is too fast for the Slave, or the Slave needs extra time for processing between the data transmissions. The Slave extending the SCL low period will not affect the SCL high period, which is determined by the Master. As a consequence, the Slave can reduce the TWI data transfer speed by prolonging the SCL duty cycle.

Figure 23-6 shows a typical data transmission. Note that several data bytes can be transmitted between the SLA+R/W and the STOP condition, depending on the software protocol implemented by the application software.

**Figure 23-6. Typical Data Transmission**



## 23.4 Multi-master Bus Systems, Arbitration and Synchronization

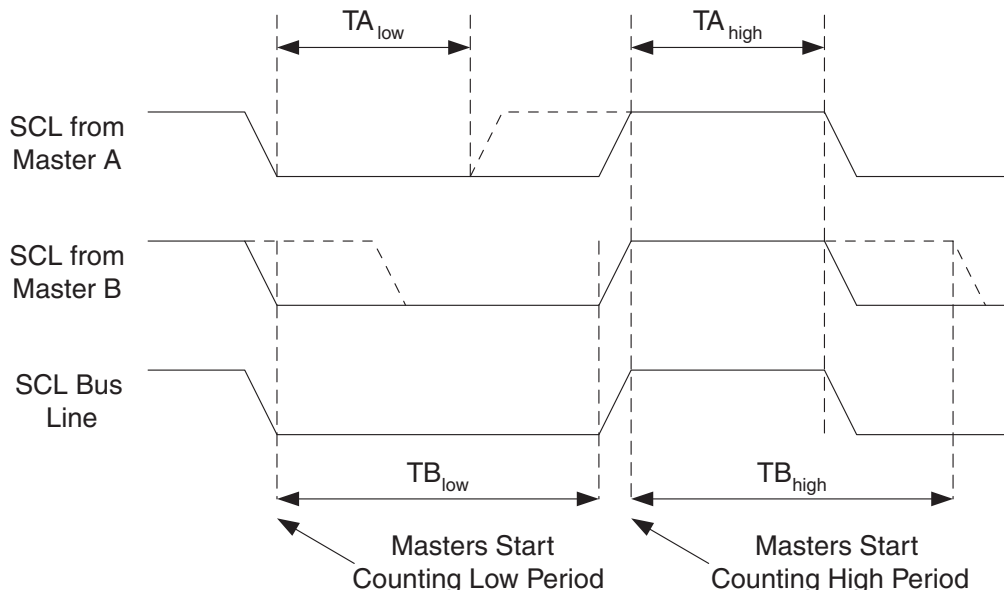
The TWI protocol allows bus systems with several masters. Special concerns have been taken in order to ensure that transmissions will proceed as normal, even if two or more masters initiate a transmission at the same time.

Two problems arise in multi-master systems:

- An algorithm must be implemented allowing only one of the masters to complete the transmission. All other masters should cease transmission when they discover that they have lost the selection process. This selection process is called arbitration. When a contending master discovers that it has lost the arbitration process, it should immediately switch to Slave mode to check whether it is being addressed by the winning master. The fact that multiple masters have started transmission at the same time should not be detectable to the slaves, i.e. the data being transferred on the bus must not be corrupted.
- Different masters may use different SCL frequencies. A scheme must be devised to synchronize the serial clocks from all masters, in order to let the transmission proceed in a lockstep fashion. This will facilitate the arbitration process.

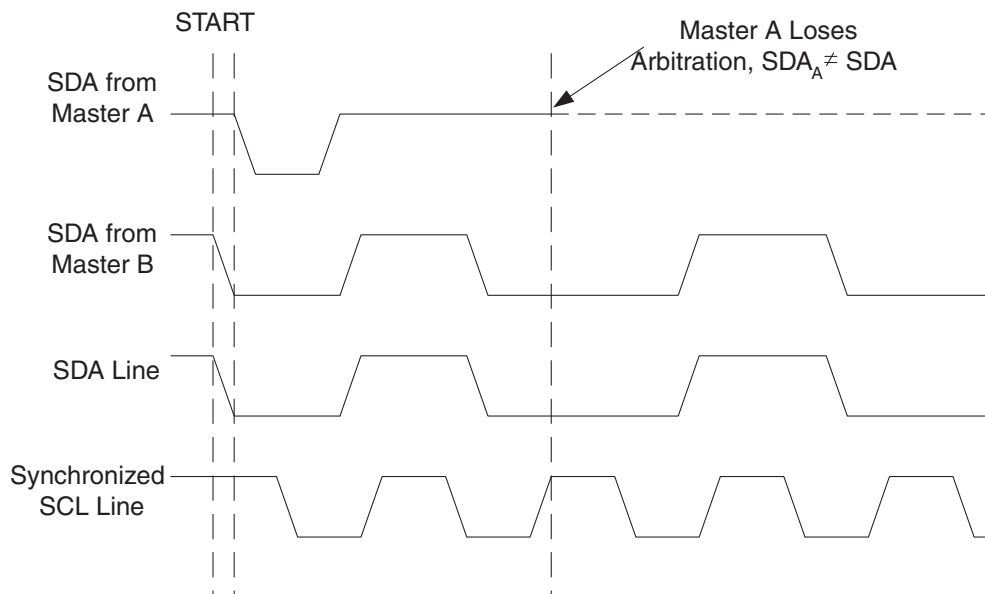
The wired-ANDing of the bus lines is used to solve both these problems. The serial clocks from all masters will be wired-ANDed, yielding a combined clock with a high period equal to the one from the Master with the shortest high period. The low period of the combined clock is equal to the low period of the Master with the longest low period. Note that all masters listen to the SCL line, effectively starting to count their SCL high and low time-out periods when the combined SCL line goes high or low, respectively.

**Figure 23-7. SCL Synchronization Between Multiple Masters**



Arbitration is carried out by all masters continuously monitoring the SDA line after outputting data. If the value read from the SDA line does not match the value the Master had output, it has lost the arbitration. Note that a Master can only lose arbitration when it outputs a high SDA value while another Master outputs a low value. The losing Master should immediately go to Slave mode, checking if it is being addressed by the winning Master. The SDA line should be left high, but losing masters are allowed to generate a clock signal until the end of the current data or address packet. Arbitration will continue until only one Master remains, and this may take many bits. If several masters are trying to address the same Slave, arbitration will continue into the data packet.

**Figure 23-8. Arbitration Between Two Masters**



Note that arbitration is not allowed between:

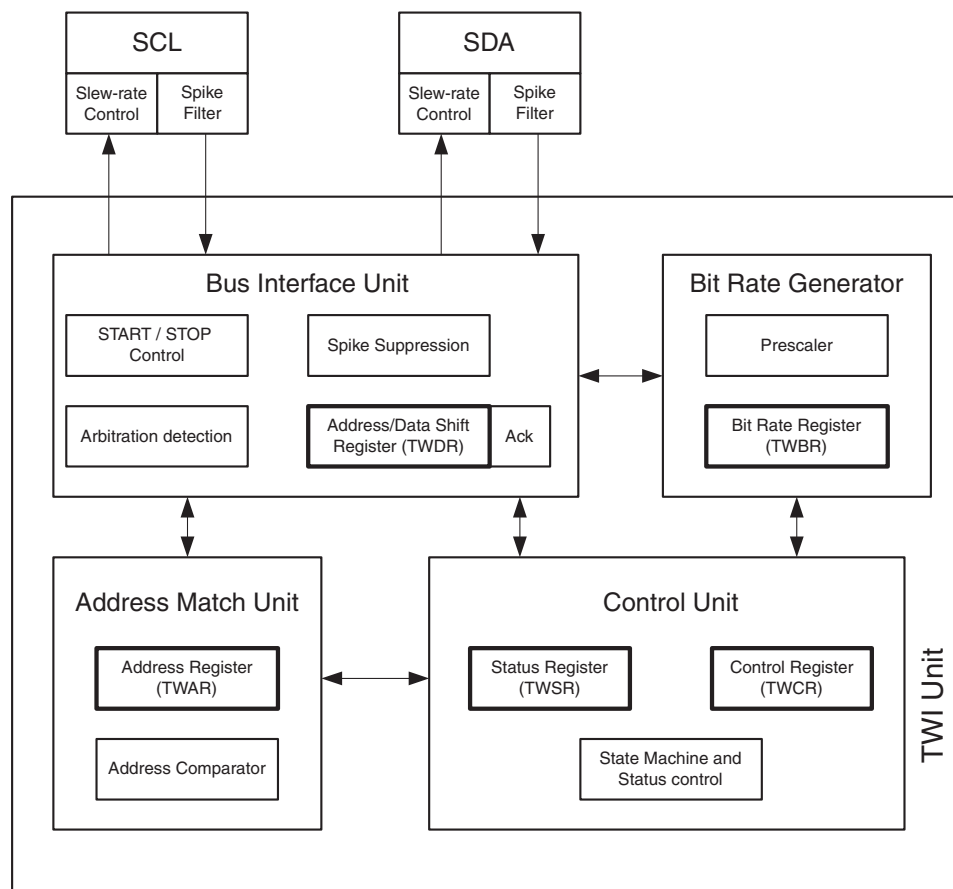
- A REPEATED START condition and a data bit
- A STOP condition and a data bit
- A REPEATED START and a STOP condition

It is the user software's responsibility to ensure that these illegal arbitration conditions never occur. This implies that in multi-master systems, all data transfers must use the same composition of SLA+R/W and data packets. In other words; All transmissions must contain the same number of data packets, otherwise the result of the arbitration is undefined.

## 23.5 Overview of the TWI Module

The TWI module is comprised of several submodules, as shown in [Figure 23-9 on page 222](#). All registers drawn in a thick line are accessible through the AVR data bus.

**Figure 23-9. Overview of the TWI Module**



### 23.5.1 SCL and SDA Pins

These pins interface the AVR TWI with the rest of the MCU system. The output drivers contain a slew-rate limiter in order to conform to the TWI specification. The input stages contain a spike suppression unit removing spikes shorter than 50ns. Note that the internal pull-ups in the AVR pads can be enabled by setting the PORT bits corresponding to the SCL and SDA pins, as explained in the I/O Port section. The internal pull-ups can in some systems eliminate the need for external ones.

### 23.5.2 Bit Rate Generator Unit

This unit controls the period of SCL when operating in a Master mode. The SCL period is controlled by settings in the TWI Bit Rate Register (TWBR) and the Prescaler bits in the TWI Status Register (TWSR). Slave operation does not depend on Bit Rate or Prescaler settings, but the CPU clock frequency in the Slave must be at least 16 times higher than the SCL frequency. Note that slaves may prolong the SCL low period, thereby reducing the average TWI bus clock period.

The SCL frequency is generated according to the following equation:

$$\text{SCL frequency} = \frac{\text{CPU Clock frequency}}{16 + 2(\text{TWBR}) \cdot (\text{PrescalerValue})}$$

- TWBR = Value of the TWI Bit Rate Register
- *PrescalerValue* = Value of the prescaler, see [Table 23-8 on page 244](#)

Note: Pull-up resistor values should be selected according to the SCL frequency and the capacitive bus line load. See [Table 30-9 on page 318](#) for value of pull-up resistor.

### 23.5.3 Bus Interface Unit

This unit contains the Data and Address Shift Register (TWDR), a START/STOP Controller and Arbitration detection hardware. The TWDR contains the address or data bytes to be transmitted, or the address or data bytes received. In addition to the 8-bit TWDR, the Bus Interface Unit also contains a register containing the (N)ACK bit to be transmitted or received. This (N)ACK Register is not directly accessible by the application software. However, when receiving, it can be set or cleared by manipulating the TWI Control Register (TWCR). When in Transmitter mode, the value of the received (N)ACK bit can be determined by the value in the TWSR.

The START/STOP Controller is responsible for generation and detection of START, REPEATED START, and STOP conditions. The START/STOP controller is able to detect START and STOP conditions even when the AVR MCU is in one of the sleep modes, enabling the MCU to wake up if addressed by a Master.

If the TWI has initiated a transmission as Master, the Arbitration Detection hardware continuously monitors the transmission trying to determine if arbitration is in process. If the TWI has lost an arbitration, the Control Unit is informed. Correct action can then be taken and appropriate status codes generated.

### 23.5.4 Address Match Unit

The Address Match unit checks if received address bytes match the seven-bit address in the TWI Address Register (TWAR). If the TWI General Call Recognition Enable (TWGCE) bit in the TWAR is written to one, all incoming address bits will also be compared against the General Call address. Upon an address match, the Control Unit is informed, allowing correct action to be taken. The TWI may or may not acknowledge its address, depending on settings in the TWCR. The Address Match unit is able to compare addresses even when the AVR MCU is in sleep mode, enabling the MCU to wake up if addressed by a Master.

### 23.5.5 Control Unit

The Control unit monitors the TWI bus and generates responses corresponding to settings in the TWI Control Register (TWCR). When an event requiring the attention of the application occurs on the TWI bus, the TWI Interrupt Flag (TWINT) is asserted. In the next clock cycle, the TWI Status Register (TWSR) is updated with a status code identifying the event. The TWSR only contains relevant status information when the TWI Interrupt Flag is asserted. At all other times, the TWSR contains a special status code indicating that no relevant status information is available. As long as the TWINT Flag is set, the SCL line is held low. This allows the application software to complete its tasks before allowing the TWI transmission to continue.

The TWINT Flag is set in the following situations:

- After the TWI has transmitted a START/REPEATED START condition
- After the TWI has transmitted SLA+R/W
- After the TWI has transmitted an address byte
- After the TWI has lost arbitration
- After the TWI has been addressed by own slave address or general call
- After the TWI has received a data byte
- After a STOP or REPEATED START has been received while still addressed as a Slave
- When a bus error has occurred due to an illegal START or STOP condition

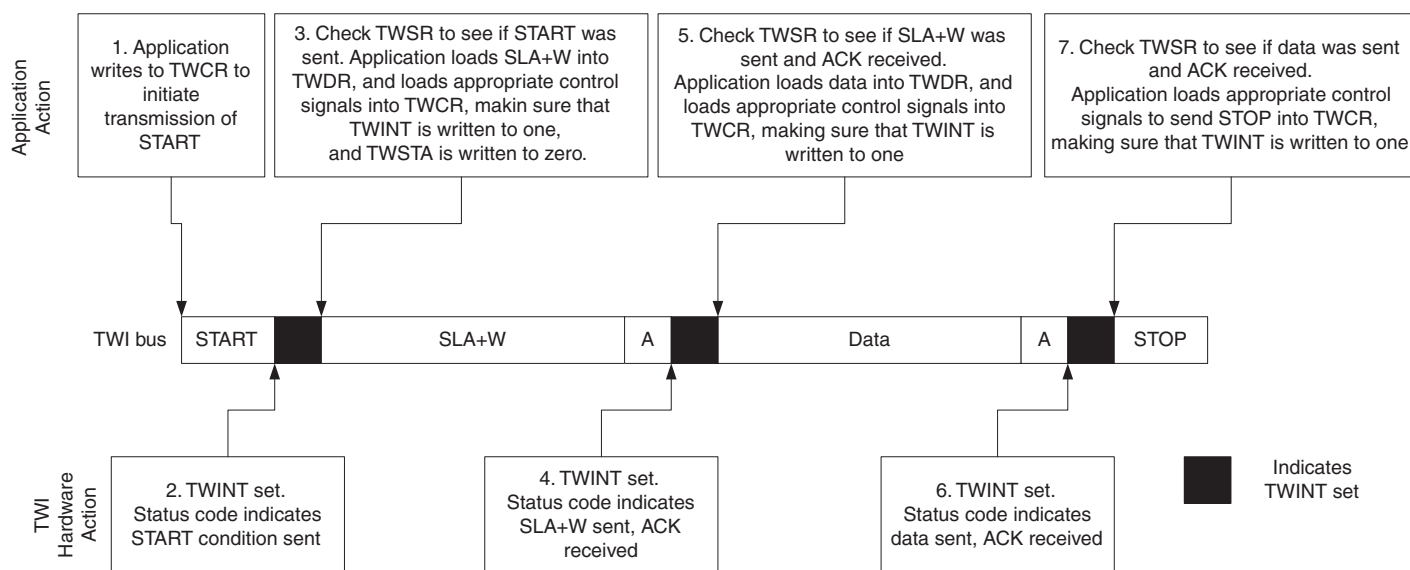
## 23.6 Using the TWI

The AVR TWI is byte-oriented and interrupt based. Interrupts are issued after all bus events, like reception of a byte or transmission of a START condition. Because the TWI is interrupt-based, the application software is free to carry on other operations during a TWI byte transfer. Note that the TWI Interrupt Enable (TWIE) bit in TWCR together with the Global Interrupt Enable bit in SREG allow the application to decide whether or not assertion of the TWINT Flag should generate an interrupt request. If the TWIE bit is cleared, the application must poll the TWINT Flag in order to detect actions on the TWI bus.

When the TWINT Flag is asserted, the TWI has finished an operation and awaits application response. In this case, the TWI Status Register (TWSR) contains a value indicating the current state of the TWI bus. The application software can then decide how the TWI should behave in the next TWI bus cycle by manipulating the TWCR and TWDR Registers.

Figure 23-10 is a simple example of how the application can interface to the TWI hardware. In this example, a Master wishes to transmit a single data byte to a Slave. This description is quite abstract, a more detailed explanation follows later in this section. A simple code example implementing the desired behavior is also presented.

**Figure 23-10. Interfacing the Application to the TWI in a Typical Transmission**



1. The first step in a TWI transmission is to transmit a START condition. This is done by writing a specific value into TWCR, instructing the TWI hardware to transmit a START condition. Which value to write is described later on. However, it is important that the TWINT bit is set in the value written. Writing a one to TWINT clears the flag. The TWI will not start any operation as long as the TWINT bit in TWCR is set. Immediately after the application has cleared TWINT, the TWI will initiate transmission of the START condition.
2. When the START condition has been transmitted, the TWINT Flag in TWCR is set, and TWSR is updated with a status code indicating that the START condition has successfully been sent.
3. The application software should now examine the value of TWSR, to make sure that the START condition was successfully transmitted. If TWSR indicates otherwise, the application software might take some special action, like calling an error routine. Assuming that the status code is as expected, the application must load SLA+W into TWDR. Remember that TWDR is used both for address and data. After TWDR has been loaded with the desired SLA+W, a specific value must be written to TWCR, instructing the TWI hardware to transmit the SLA+W present in TWDR. Which value to write is described later on. However, it is important that the TWINT bit is set in the value written. Writing a one to TWINT clears the flag. The TWI will not start any operation as long as the TWINT bit in TWCR is set. Immediately after the application has cleared TWINT, the TWI will initiate transmission of the address packet.
4. When the address packet has been transmitted, the TWINT Flag in TWCR is set, and TWSR is updated with a status code indicating that the address packet has successfully been sent. The status code will also reflect whether a Slave acknowledged the packet or not.
5. The application software should now examine the value of TWSR, to make sure that the address packet was successfully transmitted, and that the value of the ACK bit was as expected. If TWSR indicates otherwise, the application software might take some special action, like calling an error routine. Assuming that the status code



is as expected, the application must load a data packet into TWDR. Subsequently, a specific value must be written to TWCR, instructing the TWI hardware to transmit the data packet present in TWDR. Which value to write is described later on. However, it is important that the TWINT bit is set in the value written. Writing a one to TWINT clears the flag. The TWI will not start any operation as long as the TWINT bit in TWCR is set. Immediately after the application has cleared TWINT, the TWI will initiate transmission of the data packet.

6. When the data packet has been transmitted, the TWINT Flag in TWCR is set, and TWSR is updated with a status code indicating that the data packet has successfully been sent. The status code will also reflect whether a Slave acknowledged the packet or not.
7. The application software should now examine the value of TWSR, to make sure that the data packet was successfully transmitted, and that the value of the ACK bit was as expected. If TWSR indicates otherwise, the application software might take some special action, like calling an error routine. Assuming that the status code is as expected, the application must write a specific value to TWCR, instructing the TWI hardware to transmit a STOP condition. Which value to write is described later on. However, it is important that the TWINT bit is set in the value written. Writing a one to TWINT clears the flag. The TWI will not start any operation as long as the TWINT bit in TWCR is set. Immediately after the application has cleared TWINT, the TWI will initiate transmission of the STOP condition. Note that TWINT is NOT set after a STOP condition has been sent.

Even though this example is simple, it shows the principles involved in all TWI transmissions. These can be summarized as follows:

- When the TWI has finished an operation and expects application response, the TWINT Flag is set. The SCL line is pulled low until TWINT is cleared.
- When the TWINT Flag is set, the user must update all TWI Registers with the value relevant for the next TWI bus cycle. As an example, TWDR must be loaded with the value to be transmitted in the next bus cycle.
- After all TWI Register updates and other pending application software tasks have been completed, TWCR is written. When writing TWCR, the TWINT bit should be set. Writing a one to TWINT clears the flag. The TWI will then commence executing whatever operation was specified by the TWCR setting.

In the following an assembly and C implementation of the example is given. Note that the code below assumes that several definitions have been made, for example by using include-files.

**Table 23-2. Assembly and C Code Example**

|   | Assembly Code Example   | C Example   | Comments   |
|---|---|---|--|
| 1 | <pre> <b>ldi</b> r16, (1&lt;&lt;TWINT)   (1&lt;&lt;TWSTA )   (1&lt;&lt;TWEN) <b>out</b> TWCR, r16 </pre>                        | <pre> TWCR = (1&lt;&lt;TWINT)   (1&lt;&lt;TWSTA)   (1&lt;&lt;TWEN) </pre> | Send START condition   |
| 2 | <pre> wait1: <b>in</b> r16, TWCR <b>sbrs</b> r16, TWINT <b>rjmp</b> wait1 </pre>  | <pre> <b>while</b> (!(TWCR &amp; (1&lt;&lt;TWINT))) ; </pre>              | Wait for TWINT Flag set. This indicates that the START condition has been transmitted                        |
| 3 | <pre> <b>in</b> r16, TWSR <b>andi</b> r16, 0xF8 <b>cpi</b> r16, START <b>brne</b> ERROR </pre>                                  | <pre> <b>if</b> ((TWSR &amp; 0xF8) != START) ERROR(); </pre>              | Check value of TWI Status Register. Mask prescaler bits. If status different from START go to ERROR          |
|   | <pre> <b>ldi</b> r16, SLA_W <b>out</b> TWDR, r16 <b>ldi</b> r16, (1&lt;&lt;TWINT)   (1&lt;&lt;TWEN) <b>out</b> TWCR, r16 </pre> | <pre> TWDR = SLA_W; TWCR = (1&lt;&lt;TWINT)   (1&lt;&lt;TWEN); </pre>     | Load SLA_W into TWDR Register. Clear TWINT bit in TWCR to start transmission of address                      |
| 4 | <pre> wait2: <b>in</b> r16, TWCR <b>sbrs</b> r16, TWINT <b>rjmp</b> wait2 </pre>  | <pre> <b>while</b> (!(TWCR &amp; (1&lt;&lt;TWINT))) ; </pre>              | Wait for TWINT Flag set. This indicates that the SLA+W has been transmitted, and ACK/NACK has been received. |

**Table 23-2. Assembly and C Code Example**

|   | Assembly Code Example  | C Example  | Comments  |
|---|--|--|---|
| 5 | <pre> <b>in</b> r16, TWSR <b>andi</b> r16, 0xF8 <b>cpi</b> r16, MT_SLA_ACK <b>brne</b> ERROR                     </pre>                            | <pre> <b>if</b> ((TWSR &amp; 0xF8) != MT_SLA_ACK)  ERROR();                     </pre>         | Check value of TWI Status Register. Mask prescaler bits. If status different from MT_SLA_ACK go to ERROR    |
|   | <pre> <b>ldi</b> r16, DATA <b>out</b> TWDR, r16 <b>ldi</b> r16, (1&lt;&lt;TWINT)   (1&lt;&lt;TWEN) <b>out</b> TWCR, r16                     </pre> | <pre> TWDR = DATA; TWCR = (1&lt;&lt;TWINT)   (1&lt;&lt;TWEN);                     </pre>       | Load DATA into TWDR Register. Clear TWINT bit in TWCR to start transmission of data                         |
| 6 | <pre> wait3: <b>in</b> r16, TWCR <b>sbrs</b> r16, TWINT <b>rjmp</b> wait3                     </pre>   | <pre> <b>while</b> (!(TWCR &amp; (1&lt;&lt;TWINT))) ;                     </pre>               | Wait for TWINT Flag set. This indicates that the DATA has been transmitted, and ACK/NACK has been received. |
| 7 | <pre> <b>in</b> r16, TWSR <b>andi</b> r16, 0xF8 <b>cpi</b> r16, MT_DATA_ACK <b>brne</b> ERROR                     </pre>                           | <pre> <b>if</b> ((TWSR &amp; 0xF8) != MT_DATA_ACK)  ERROR();                     </pre>        | Check value of TWI Status Register. Mask prescaler bits. If status different from MT_DATA_ACK go to ERROR   |
|   | <pre> <b>ldi</b> r16, (1&lt;&lt;TWINT)   (1&lt;&lt;TWEN)   (1&lt;&lt;TWSTO) <b>out</b> TWCR, r16                     </pre>                        | <pre> TWCR = (1&lt;&lt;TWINT)   (1&lt;&lt;TWEN)   (1&lt;&lt;TWSTO);                     </pre> | Transmit STOP condition   |

## 23.7 Transmission Modes

The TWI can operate in one of four major modes. These are named Master Transmitter (MT), Master Receiver (MR), Slave Transmitter (ST) and Slave Receiver (SR). Several of these modes can be used in the same application. As an example, the TWI can use MT mode to write data into a TWI EEPROM, MR mode to read the data back from the EEPROM. If other masters are present in the system, some of these might transmit data to the TWI, and then SR mode would be used. It is the application software that decides which modes are legal.

The following sections describe each of these modes. Possible status codes are described along with figures detailing data transmission in each of the modes. These figures contain the following abbreviations:

|                    |   |
|--------------------|---|
| <b>S</b>           | START condition                         |
| <b>Rs</b>          | REPEATED START condition                |
| <b>R</b>           | Read bit (high level at SDA)            |
| <b>W</b>           | Write bit (low level at SDA)            |
| <b>A</b>           | Acknowledge bit (low level at SDA)      |
| $\bar{\mathbf{A}}$ | Not acknowledge bit (high level at SDA) |
| <b>Data</b>        | 8-bit data byte                         |
| <b>P</b>           | STOP condition                          |
| <b>SLA</b>         | Slave Address                           |

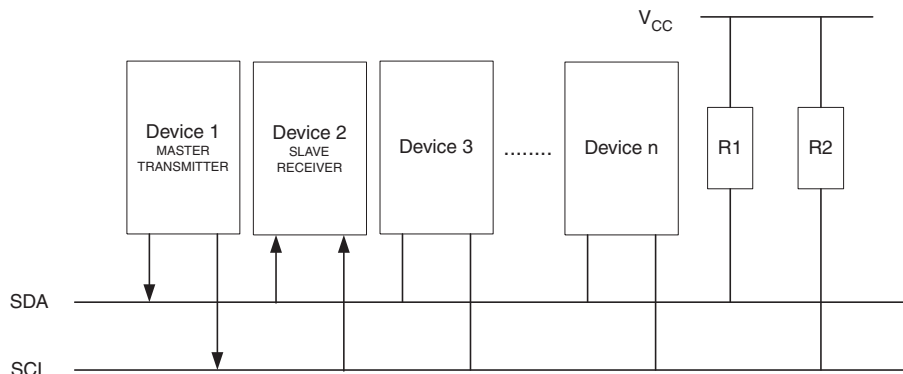
In [Figure 23-12 on page 231](#) to [Figure 23-18 on page 238](#), circles are used to indicate that the TWINT Flag is set. The numbers in the circles show the status code held in TWSR, with the prescaler bits masked to zero. At these points, actions must be taken by the application to continue or complete the TWI transfer. The TWI transfer is suspended until the TWINT Flag is cleared by software.

When the TWINT Flag is set, the status code in TWSR is used to determine the appropriate software action. For each status code, the required software action and details of the following serial transfer are given in [Table 23-3 on page 229](#) to [Table 23-6 on page 238](#). Note that the prescaler bits are masked to zero in these tables.

### 23.7.1 Master Transmitter Mode

In the Master Transmitter mode, a number of data bytes are transmitted to a Slave Receiver (see [Figure 23-11](#)). In order to enter a Master mode, a START condition must be transmitted. The format of the following address packet determines whether Master Transmitter or Master Receiver mode is to be entered. If SLA+W is transmitted, MT mode is entered, if SLA+R is transmitted, MR mode is entered. All the status codes mentioned in this section assume that the prescaler bits are zero or are masked to zero.

**Figure 23-11. Data Transfer in Master Transmitter Mode**



A START condition is sent by writing the following value to TWCR:

| TWCR  | TWINT | TWEA | TWSTA | TWSTO | TWWC | TWEN | – | TWIE |
|-------|-------|------|-------|-------|------|------|---|------|
| value | 1     | X    | 1     | 0     | X    | 1    | 0 | X    |

TWEN must be set to enable the 2-wire Serial Interface, TWSTA must be written to one to transmit a START condition and TWINT must be written to one to clear the TWINT Flag. The TWI will then test the 2-wire Serial Bus and generate a START condition as soon as the bus becomes free. After a START condition has been transmitted, the TWINT Flag is set by hardware, and the status code in TWSR will be 0x08 (see [Table 23-3 on page 229](#)). In order to enter MT mode, SLA+W must be transmitted. This is done by writing SLA+W to TWDR. Thereafter the TWINT bit should be cleared (by writing it to one) to continue the transfer. This is accomplished by writing the following value to TWCR:

| TWCR  | TWINT | TWEA | TWSTA | TWSTO | TWWC | TWEN | – | TWIE |
|-------|-------|------|-------|-------|------|------|---|------|
| value | 1     | X    | 0     | 0     | X    | 1    | 0 | X    |

When SLA+W have been transmitted and an acknowledgement bit has been received, TWINT is set again and a number of status codes in TWSR are possible. Possible status codes in Master mode are 0x18, 0x20, or 0x38. The appropriate action to be taken for each of these status codes is detailed in [Table 23-3 on page 229](#).

When SLA+W has been successfully transmitted, a data packet should be transmitted. This is done by writing the data byte to TWDR. TWDR must only be written when TWINT is high. If not, the access will be discarded, and the Write Collision bit (TWWC) will be set in the TWCR Register. After updating TWDR, the TWINT bit should be cleared (by writing it to one) to continue the transfer. This is accomplished by writing the following value to TWCR:

| TWCR  | TWINT | TWEA | TWSTA | TWSTO | TWWC | TWEN | – | TWIE |
|-------|-------|------|-------|-------|------|------|---|------|
| value | 1     | X    | 0     | 0     | X    | 1    | 0 | X    |

This scheme is repeated until the last byte has been sent and the transfer is ended by generating a STOP condition or a repeated START condition. A STOP condition is generated by writing the following value to TWCR:

| TWCR  | TWINT | TWEA | TWSTA | TWSTO | TWWC | TWEN | – | TWIE |
|-------|-------|------|-------|-------|------|------|---|------|
| value | 1     | X    | 0     | 1     | X    | 1    | 0 | X    |

A REPEATED START condition is generated by writing the following value to TWCR:

| TWCR  | TWINT | TWEA | TWSTA | TWSTO | TWWC | TWEN | – | TWIE |
|-------|-------|------|-------|-------|------|------|---|------|
| value | 1     | X    | 1     | 0     | X    | 1    | 0 | X    |

After a repeated START condition (state 0x10) the 2-wire Serial Interface can access the same Slave again, or a new Slave without transmitting a STOP condition. Repeated START enables the Master to switch between Slaves, Master Transmitter mode and Master Receiver mode without losing control of the bus.

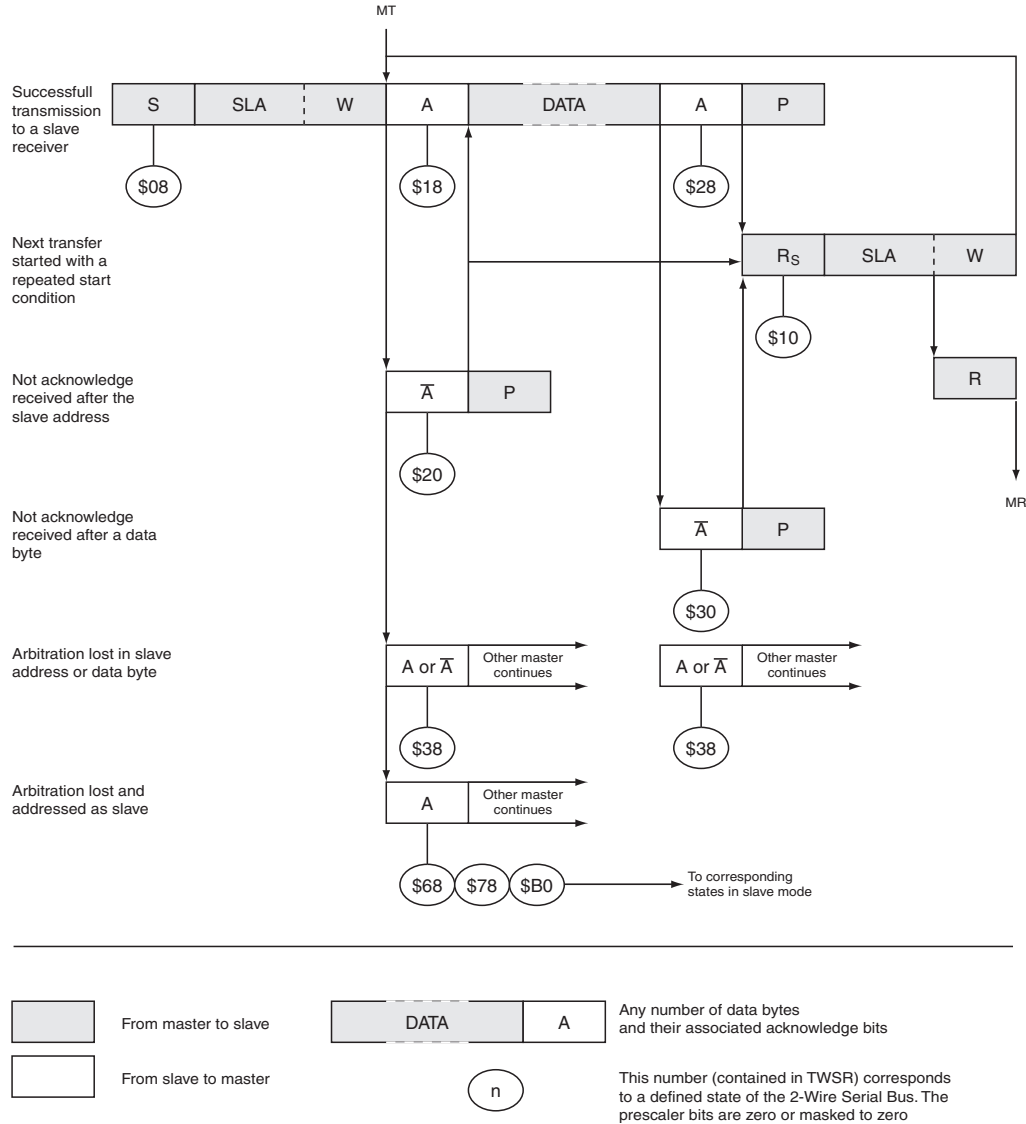
**Table 23-3. Status Codes for Master Transmitter Mode**

| Status Code (TWSR)<br>Prescaler Bits are 0 | Status of the 2-wire Serial Bus and 2-wire Serial Interface Hardware | Application Software Response |         |     |       |      | Next Action Taken by TWI Hardware   |
|--|--|-------------------------------|---------|-----|-------|------|---|
|  |  | To/from TWDR                  | To TWCR |     |       |      |   |
|  |  |                               | STA     | STO | TWINT | TWEA |   |
| 0x08                                       | A START condition has been transmitted                               | Load SLA+W                    | 0       | 0   | 1     | X    | SLA+W will be transmitted; ACK or NOT ACK will be received  |
| 0x10                                       | A repeated START condition has been transmitted                      | Load SLA+W or                 | 0       | 0   | 1     | X    | SLA+W will be transmitted; ACK or NOT ACK will be received<br>SLA+R will be transmitted; Logic will switch to Master Receiver mode  |
|  |  | Load SLA+R                    | 0       | 0   | 1     | X    |   |
| 0x18                                       | SLA+W has been transmitted; ACK has been received                    | Load data byte or             | 0       | 0   | 1     | X    | Data byte will be transmitted and ACK or NOT ACK will be received<br>Repeated START will be transmitted<br>STOP condition will be transmitted and TWSTO Flag will be reset<br>STOP condition followed by a START condition will be transmitted and TWSTO Flag will be reset |
|  |  | No TWDR action or             | 1       | 0   | 1     | X    |   |
|  |  | No TWDR action or             | 0       | 1   | 1     | X    |   |
|  |  | No TWDR action                | 1       | 1   | 1     | X    |   |

**Table 23-3. Status Codes for Master Transmitter Mode (Continued)**

| Status Code (TWSR)<br>Prescaler Bits are 0 | Status of the 2-wire Serial Bus and 2-wire Serial Interface Hardware | Application Software Response |         |     |       |      | Next Action Taken by TWI Hardware   |
|--|--|-------------------------------|---------|-----|-------|------|---|
|  |  | To/from TWDR                  | To TWCR |     |       |      |   |
|  |  |                               | STA     | STO | TWINT | TWEA |   |
| 0x20                                       | SLA+W has been transmitted; NOT ACK has been received                | Load data byte or             | 0       | 0   | 1     | X    | Data byte will be transmitted and ACK or NOT ACK will be received<br>Repeated START will be transmitted<br>STOP condition will be transmitted and TWSTO Flag will be reset<br>STOP condition followed by a START condition will be transmitted and TWSTO Flag will be reset |
|  |  | No TWDR action or             | 1       | 0   | 1     | X    |   |
|  |  | No TWDR action or             | 0       | 1   | 1     | X    |   |
| 0x28                                       | Data byte has been transmitted; ACK has been received                | Load data byte or             | 0       | 0   | 1     | X    | Data byte will be transmitted and ACK or NOT ACK will be received<br>Repeated START will be transmitted<br>STOP condition will be transmitted and TWSTO Flag will be reset<br>STOP condition followed by a START condition will be transmitted and TWSTO Flag will be reset |
|  |  | No TWDR action or             | 1       | 0   | 1     | X    |   |
|  |  | No TWDR action or             | 0       | 1   | 1     | X    |   |
| 0x30                                       | Data byte has been transmitted; NOT ACK has been received            | Load data byte or             | 0       | 0   | 1     | X    | Data byte will be transmitted and ACK or NOT ACK will be received<br>Repeated START will be transmitted<br>STOP condition will be transmitted and TWSTO Flag will be reset<br>STOP condition followed by a START condition will be transmitted and TWSTO Flag will be reset |
|  |  | No TWDR action or             | 1       | 0   | 1     | X    |   |
|  |  | No TWDR action or             | 0       | 1   | 1     | X    |   |
| 0x38                                       | Arbitration lost in SLA+W or data bytes                              | No TWDR action or             | 0       | 0   | 1     | X    | 2-wire Serial Bus will be released and not addressed<br>Slave mode entered<br>A START condition will be transmitted when the bus becomes free   |
|  |  | No TWDR action                | 1       | 0   | 1     | X    |   |

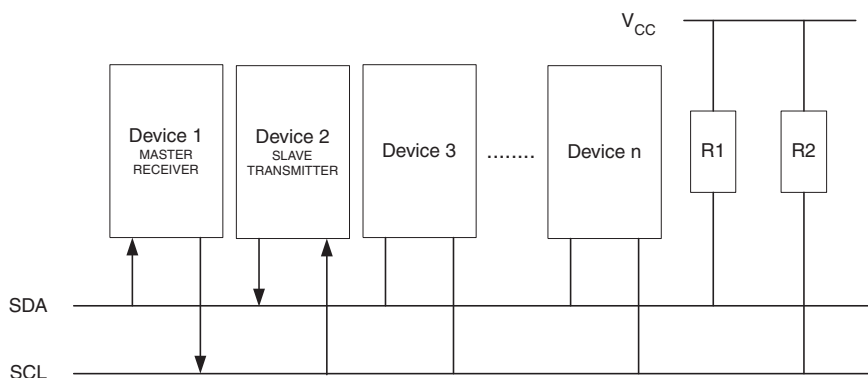
**Figure 23-12. Formats and States in the Master Transmitter Mode**



### 23.7.2 Master Receiver Mode

In the Master Receiver mode, a number of data bytes are received from a Slave Transmitter (Slave see [Figure 23-13 on page 232](#)). In order to enter a Master mode, a START condition must be transmitted. The format of the following address packet determines whether Master Transmitter or Master Receiver mode is to be entered. If SLA+W is transmitted, MT mode is entered, if SLA+R is transmitted, MR mode is entered. All the status codes mentioned in this section assume that the prescaler bits are zero or are masked to zero.

**Figure 23-13. Data Transfer in Master Receiver Mode**



A START condition is sent by writing the following value to TWCR:

| TWCR  | TWINT | TWEA | TWSTA | TWSTO | TWWC | TWEN | - | TWIE |
|-------|-------|------|-------|-------|------|------|---|------|
| value | 1     | X    | 1     | 0     | X    | 1    | 0 | X    |

TWEN must be written to one to enable the 2-wire Serial Interface, TWSTA must be written to one to transmit a START condition and TWINT must be set to clear the TWINT Flag. The TWI will then test the 2-wire Serial Bus and generate a START condition as soon as the bus becomes free. After a START condition has been transmitted, the TWINT Flag is set by hardware, and the status code in TWSR will be 0x08 (See [Table 23-3 on page 229](#)). In order to enter MR mode, SLA+R must be transmitted. This is done by writing SLA+R to TWDR. Thereafter the TWINT bit should be cleared (by writing it to one) to continue the transfer. This is accomplished by writing the following value to TWCR:

| TWCR  | TWINT | TWEA | TWSTA | TWSTO | TWWC | TWEN | - | TWIE |
|-------|-------|------|-------|-------|------|------|---|------|
| value | 1     | X    | 0     | 0     | X    | 1    | 0 | X    |

When SLA+R have been transmitted and an acknowledgement bit has been received, TWINT is set again and a number of status codes in TWSR are possible. Possible status codes in Master mode are 0x38, 0x40, or 0x48. The appropriate action to be taken for each of these status codes is detailed in [Table 23-4 on page 233](#). Received data can be read from the TWDR Register when the TWINT Flag is set high by hardware. This scheme is repeated until the last byte has been received. After the last byte has been received, the MR should inform the ST by sending a NACK after the last received data byte. The transfer is ended by generating a STOP condition or a repeated START condition. A STOP condition is generated by writing the following value to TWCR:

| TWCR  | TWINT | TWEA | TWSTA | TWSTO | TWWC | TWEN | - | TWIE |
|-------|-------|------|-------|-------|------|------|---|------|
| value | 1     | X    | 0     | 1     | X    | 1    | 0 | X    |

A REPEATED START condition is generated by writing the following value to TWCR:

| TWCR  | TWINT | TWEA | TWSTA | TWSTO | TWWC | TWEN | - | TWIE |
|-------|-------|------|-------|-------|------|------|---|------|
| value | 1     | X    | 1     | 0     | X    | 1    | 0 | X    |

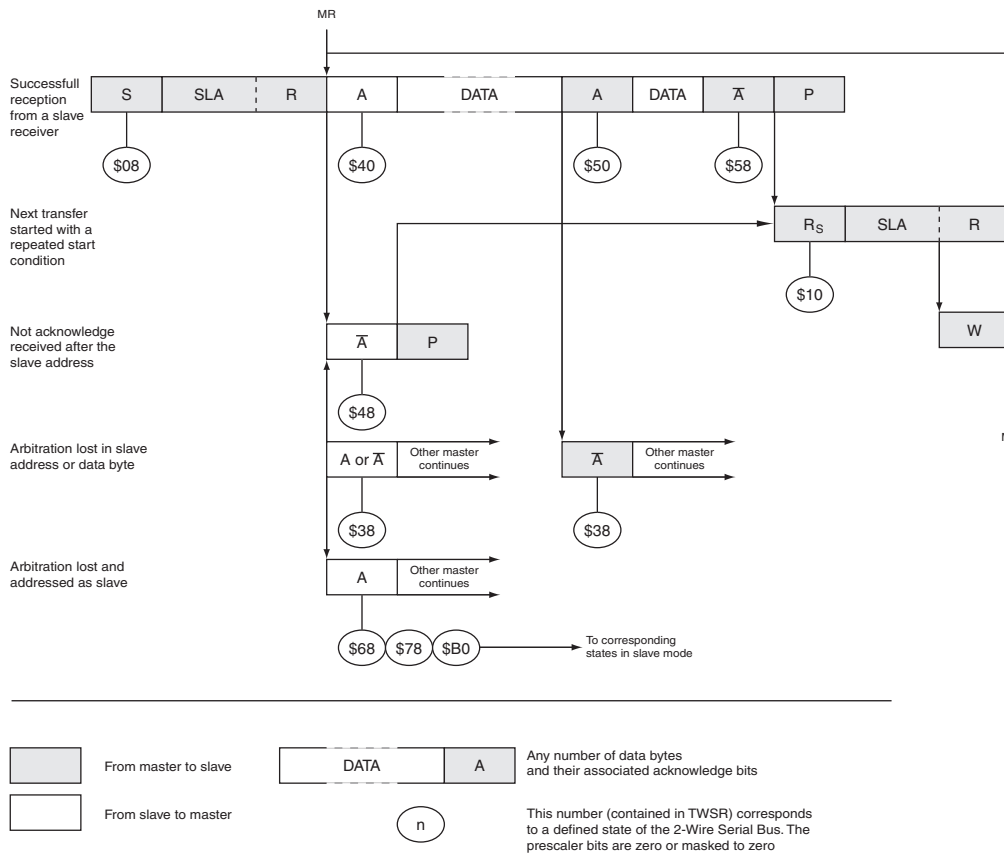
After a repeated START condition (state 0x10) the 2-wire Serial Interface can access the same Slave again, or a new Slave without transmitting a STOP condition. Repeated START enables the Master to switch between Slaves, Master Transmitter mode and Master Receiver mode without losing control over the bus.



**Table 23-4. Status codes for Master Receiver Mode**

| Status Code (TWSR)<br>Prescaler Bits are 0 | Status of the 2-wire Serial Bus and 2-wire Serial Interface Hardware | Application Software Response |         |     |       |      | Next Action Taken by TWI Hardware  |
|--|--|-------------------------------|---------|-----|-------|------|--|
|  |  | To/from TWD                   | To TWCR |     |       |      |  |
|  |  |                               | STA     | STO | TWINT | TWEA |  |
| 0x08                                       | A START condition has been transmitted                               | Load SLA+R                    | 0       | 0   | 1     | X    | SLA+R will be transmitted<br>ACK or NOT ACK will be received   |
| 0x10                                       | A repeated START condition has been transmitted                      | Load SLA+R or                 | 0       | 0   | 1     | X    | SLA+R will be transmitted<br>ACK or NOT ACK will be received<br>SLA+W will be transmitted<br>Logic will switch to Master Transmitter mode  |
|  |  | Load SLA+W                    | 0       | 0   | 1     | X    |  |
| 0x38                                       | Arbitration lost in SLA+R or NOT ACK bit                             | No TWDR action or             | 0       | 0   | 1     | X    | 2-wire Serial Bus will be released and not addressed<br>Slave mode will be entered<br>A START condition will be transmitted when the bus becomes free  |
|  |  | No TWDR action                | 1       | 0   | 1     | X    |  |
| 0x40                                       | SLA+R has been transmitted; ACK has been received                    | No TWDR action or             | 0       | 0   | 1     | 0    | Data byte will be received and NOT ACK will be returned<br>Data byte will be received and ACK will be returned   |
|  |  | No TWDR action                | 0       | 0   | 1     | 1    |  |
| 0x48                                       | SLA+R has been transmitted; NOT ACK has been received                | No TWDR action or             | 1       | 0   | 1     | X    | Repeated START will be transmitted<br>STOP condition will be transmitted and TWSTO Flag will be reset<br>STOP condition followed by a START condition will be transmitted and TWSTO Flag will be reset |
|  |  | No TWDR action or             | 0       | 1   | 1     | X    |  |
|  |  | No TWDR action                | 1       | 1   | 1     | X    |  |
| 0x50                                       | Data byte has been received; ACK has been returned                   | Read data byte or             | 0       | 0   | 1     | 0    | Data byte will be received and NOT ACK will be returned<br>Data byte will be received and ACK will be returned   |
|  |  | Read data byte                | 0       | 0   | 1     | 1    |  |
| 0x58                                       | Data byte has been received; NOT ACK has been returned               | Read data byte or             | 1       | 0   | 1     | X    | Repeated START will be transmitted<br>STOP condition will be transmitted and TWSTO Flag will be reset<br>STOP condition followed by a START condition will be transmitted and TWSTO Flag will be reset |
|  |  | Read data byte or             | 0       | 1   | 1     | X    |  |
|  |  | Read data byte                | 1       | 1   | 1     | X    |  |

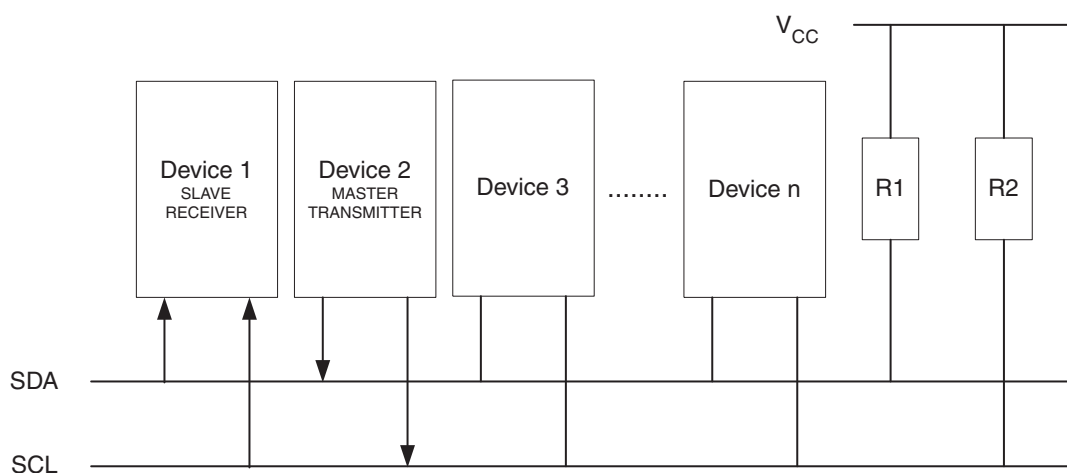
**Figure 23-14. Formats and States in the Master Receiver Mode**



## 23.7.3 Slave Receiver Mode

In the Slave Receiver mode, a number of data bytes are received from a Master Transmitter (see [Figure 23-15](#)). All the status codes mentioned in this section assume that the prescaler bits are zero or are masked to zero.

**Figure 23-15. Data transfer in Slave Receiver mode**



To initiate the Slave Receiver mode, TWAR and TWCR must be initialized as follows:

| TWAR  | TWA6                       | TWA5 | TWA4 | TWA3 | TWA2 | TWA1 | TWA0 | TWGCE |
|-------|----------------------------|------|------|------|------|------|------|-------|
| value | Device's Own Slave Address |      |      |      |      |      |      |       |

The upper seven bits are the address to which the 2-wire Serial Interface will respond when addressed by a Master. If the LSB is set, the TWI will respond to the general call address (0x00), otherwise it will ignore the general call address.

| TWCR  | TWINT | TWEA | TWSTA | TWSTO | TWWC | TWEN | – | TWIE |
|-------|-------|------|-------|-------|------|------|---|------|
| value | 0     | 1    | 0     | 0     | 0    | 1    | 0 | X    |

TWEN must be written to one to enable the TWI. The TWEA bit must be written to one to enable the acknowledgement of the device's own slave address or the general call address. TWSTA and TWSTO must be written to zero.

When TWAR and TWCR have been initialized, the TWI waits until it is addressed by its own slave address (or the general call address if enabled) followed by the data direction bit. If the direction bit is "0" (write), the TWI will operate in SR mode, otherwise ST mode is entered. After its own slave address and the write bit have been received, the TWINT Flag is set and a valid status code can be read from TWSR. The status code is used to determine the appropriate software action. The appropriate action to be taken for each status code is detailed in [Table 23-5 on page 235](#). The Slave Receiver mode may also be entered if arbitration is lost while the TWI is in the Master mode (see states 0x68 and 0x78).

If the TWEA bit is reset during a transfer, the TWI will return a "Not Acknowledge" ("1") to SDA after the next received data byte. This can be used to indicate that the Slave is not able to receive any more bytes. While TWEA is zero, the TWI does not acknowledge its own slave address. However, the 2-wire Serial Bus is still monitored and address recognition may resume at any time by setting TWEA. This implies that the TWEA bit may be used to temporarily isolate the TWI from the 2-wire Serial Bus.

In all sleep modes other than Idle mode, the clock system to the TWI is turned off. If the TWEA bit is set, the interface can still acknowledge its own slave address or the general call address by using the 2-wire Serial Bus clock as a clock source. The part will then wake up from sleep and the TWI will hold the SCL clock low during the wake up and until the TWINT Flag is cleared (by writing it to one). Further data reception will be carried out as

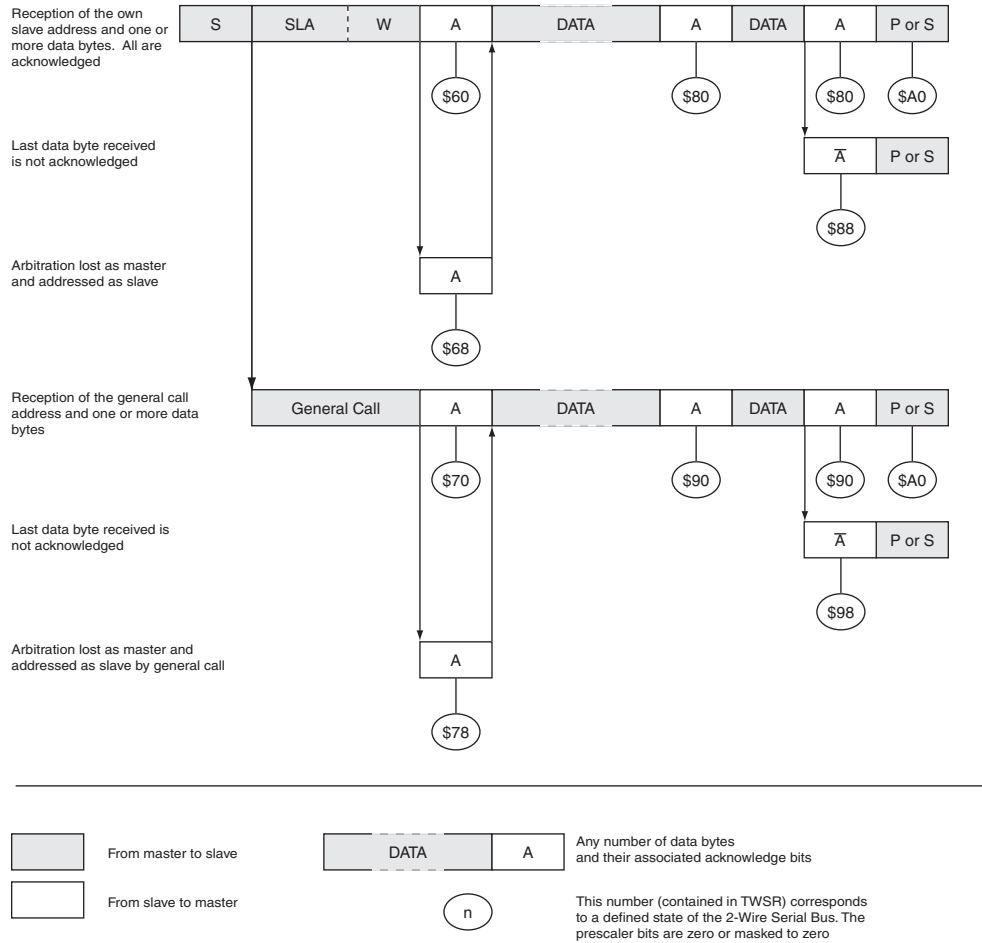
normal, with the AVR clocks running as normal. Observe that if the AVR is set up with a long start-up time, the SCL line may be held low for a long time, blocking other data transmissions.

Note that the 2-wire Serial Interface Data Register – TWDR does not reflect the last byte present on the bus when waking up from these Sleep modes.

**Table 23-5. Status Codes for Slave Receiver Mode**

| Status Code (TWSR) Prescaler Bits are 0 | Status of the 2-wire Serial Bus and 2-wire Serial Interface Hardware                                 | Application Software Response |         |     |       |      | Next Action Taken by TWI Hardware   |
|---|--|-------------------------------|---------|-----|-------|------|---|
|   |  | To/from TWDR                  | To TWCR |     |       |      |   |
|   |  |                               | STA     | STO | TWINT | TWEA |   |
| 0x60                                    | Own SLA+W has been received; ACK has been returned   | No TWDR action or             | X       | 0   | 1     | 0    | Data byte will be received and NOT ACK will be returned   |
|   |  | No TWDR action                | X       | 0   | 1     | 1    | Data byte will be received and ACK will be returned   |
| 0x68                                    | Arbitration lost in SLA+R/W as Master; own SLA+W has been received; ACK has been returned            | No TWDR action or             | X       | 0   | 1     | 0    | Data byte will be received and NOT ACK will be returned   |
|   |  | No TWDR action                | X       | 0   | 1     | 1    | Data byte will be received and ACK will be returned   |
| 0x70                                    | General call address has been received; ACK has been returned  | No TWDR action or             | X       | 0   | 1     | 0    | Data byte will be received and NOT ACK will be returned   |
|   |  | No TWDR action                | X       | 0   | 1     | 1    | Data byte will be received and ACK will be returned   |
| 0x78                                    | Arbitration lost in SLA+R/W as Master; General call address has been received; ACK has been returned | No TWDR action or             | X       | 0   | 1     | 0    | Data byte will be received and NOT ACK will be returned   |
|   |  | No TWDR action                | X       | 0   | 1     | 1    | Data byte will be received and ACK will be returned   |
| 0x80                                    | Previously addressed with own SLA+W; data has been received; ACK has been returned                   | Read data byte or             | X       | 0   | 1     | 0    | Data byte will be received and NOT ACK will be returned   |
|   |  | Read data byte                | X       | 0   | 1     | 1    | Data byte will be received and ACK will be returned   |
| 0x88                                    | Previously addressed with own SLA+W; data has been received; NOT ACK has been returned               | Read data byte or             | 0       | 0   | 1     | 0    | Switched to the not addressed Slave mode; no recognition of own SLA or GCA  |
|   |  | Read data byte or             | 0       | 0   | 1     | 1    | Switched to the not addressed Slave mode; own SLA will be recognized;   |
|   |  | Read data byte or             | 1       | 0   | 1     | 0    | GCA will be recognized if TWGCE = "1"   |
|   |  | Read data byte                | 1       | 0   | 1     | 1    | Switched to the not addressed Slave mode; no recognition of own SLA or GCA; a START condition will be transmitted when the bus becomes free |
| 0x90                                    | Previously addressed with general call; data has been received; ACK has been returned                | Read data byte or             | X       | 0   | 1     | 0    | Data byte will be received and NOT ACK will be returned   |
|   |  | Read data byte                | X       | 0   | 1     | 1    | Data byte will be received and ACK will be returned   |
| 0x98                                    | Previously addressed with general call; data has been received; NOT ACK has been returned            | Read data byte or             | 0       | 0   | 1     | 0    | Switched to the not addressed Slave mode; no recognition of own SLA or GCA  |
|   |  | Read data byte or             | 0       | 0   | 1     | 1    | Switched to the not addressed Slave mode; own SLA will be recognized;   |
|   |  | Read data byte or             | 1       | 0   | 1     | 0    | GCA will be recognized if TWGCE = "1"   |
|   |  | Read data byte                | 1       | 0   | 1     | 1    | Switched to the not addressed Slave mode; no recognition of own SLA or GCA; a START condition will be transmitted when the bus becomes free |
| 0xA0                                    | A STOP condition or repeated START condition has been received while still addressed as Slave        | No action                     | 0       | 0   | 1     | 0    | Switched to the not addressed Slave mode; no recognition of own SLA or GCA  |
|   |  |                               | 0       | 0   | 1     | 1    | Switched to the not addressed Slave mode; own SLA will be recognized;   |
|   |  |                               | 1       | 0   | 1     | 0    | GCA will be recognized if TWGCE = "1"   |
|   |  |                               | 1       | 0   | 1     | 1    | Switched to the not addressed Slave mode; no recognition of own SLA or GCA; a START condition will be transmitted when the bus becomes free |

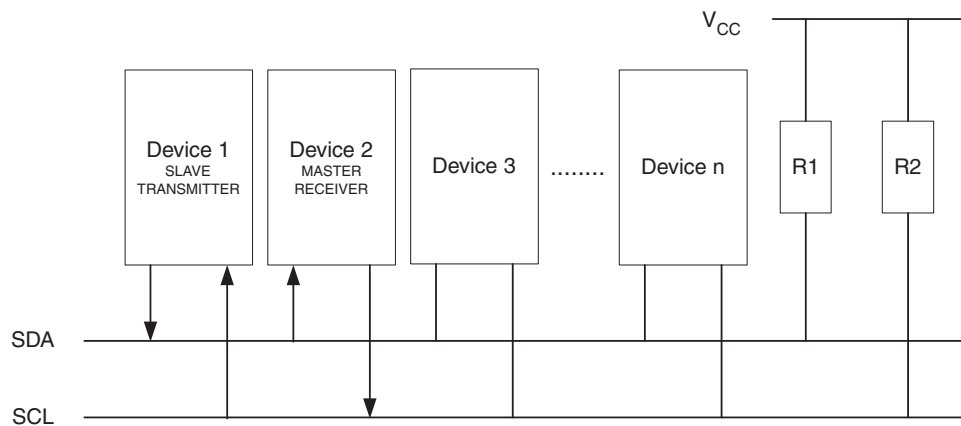
**Figure 23-16. Formats and States in the Slave Receiver Mode**



### 23.7.4 Slave Transmitter Mode

In the Slave Transmitter mode, a number of data bytes are transmitted to a Master Receiver (see [Figure 23-17](#)). All the status codes mentioned in this section assume that the prescaler bits are zero or are masked to zero.

**Figure 23-17. Data Transfer in Slave Transmitter Mode**



To initiate the Slave Transmitter mode, TWAR and TWCR must be initialized as follows:

| TWAR  | TWA6                       | TWA5 | TWA4 | TWA3 | TWA2 | TWA1 | TWA0 | TWGCE |
|-------|----------------------------|------|------|------|------|------|------|-------|
| value | Device's Own Slave Address |      |      |      |      |      |      |       |

The upper seven bits are the address to which the 2-wire Serial Interface will respond when addressed by a Master. If the LSB is set, the TWI will respond to the general call address (0x00), otherwise it will ignore the general call address.

| TWCR  | TWINT | TWEA | TWSTA | TWSTO | TWWC | TWEN | – | TWIE |
|-------|-------|------|-------|-------|------|------|---|------|
| value | 0     | 1    | 0     | 0     | 0    | 1    | 0 | X    |

TWEN must be written to one to enable the TWI. The TWEA bit must be written to one to enable the acknowledgement of the device's own slave address or the general call address. TWSTA and TWSTO must be written to zero.

When TWAR and TWCR have been initialized, the TWI waits until it is addressed by its own slave address (or the general call address if enabled) followed by the data direction bit. If the direction bit is "1" (read), the TWI will operate in ST mode, otherwise SR mode is entered. After its own slave address and the write bit have been received, the TWINT Flag is set and a valid status code can be read from TWSR. The status code is used to determine the appropriate software action. The appropriate action to be taken for each status code is detailed in [Table 23-6 on page 238](#). The Slave Transmitter mode may also be entered if arbitration is lost while the TWI is in the Master mode (see state 0xB0).

If the TWEA bit is written to zero during a transfer, the TWI will transmit the last byte of the transfer. State 0xC0 or state 0xC8 will be entered, depending on whether the Master Receiver transmits a NACK or ACK after the final byte. The TWI is switched to the not addressed Slave mode, and will ignore the Master if it continues the transfer. Thus the Master Receiver receives all "1" as serial data. State 0xC8 is entered if the Master demands additional data bytes (by transmitting ACK), even though the Slave has transmitted the last byte (TWEA zero and expecting NACK from the Master).

While TWEA is zero, the TWI does not respond to its own slave address. However, the 2-wire Serial Bus is still monitored and address recognition may resume at any time by setting TWEA. This implies that the TWEA bit may be used to temporarily isolate the TWI from the 2-wire Serial Bus.

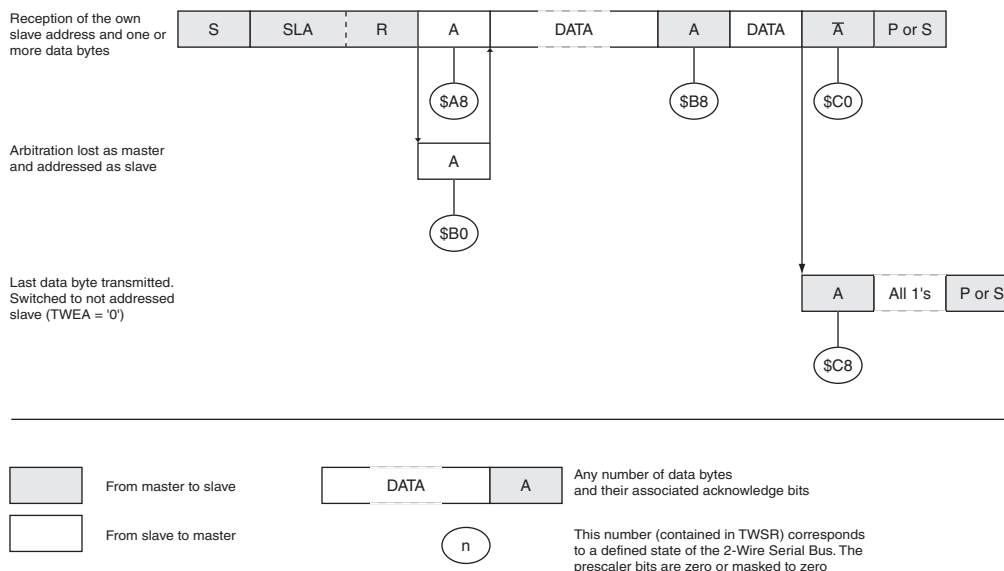
In all sleep modes other than Idle mode, the clock system to the TWI is turned off. If the TWEA bit is set, the interface can still acknowledge its own slave address or the general call address by using the 2-wire Serial Bus clock as a clock source. The part will then wake up from sleep and the TWI will hold the SCL clock low during the wake up and until the TWINT Flag is cleared (by writing it to one). Further data transmission will be carried out as normal, with the AVR clocks running as normal. Observe that if the AVR is set up with a long start-up time, the SCL line may be held low for a long time, blocking other data transmissions.

Note that the 2-wire Serial Interface Data Register – TWDR does not reflect the last byte present on the bus when waking up from these sleep modes.

**Table 23-6. Status Codes for Slave Transmitter Mode**

| Status Code (TWSR)<br>Prescaler Bits are 0 | Status of the 2-wire Serial Bus and 2-wire Serial Interface Hardware                      | Application Software Response |         |     |       |      | Next Action Taken by TWI Hardware  |
|--|---|-------------------------------|---------|-----|-------|------|--|
|  |   | To/from TWDR                  | To TWCR |     |       |      |  |
|  |   |                               | STA     | STO | TWINT | TWEA |  |
| 0xA8                                       | Own SLA+R has been received; ACK has been returned  | Load data byte or             | X       | 0   | 1     | 0    | Last data byte will be transmitted and NOT ACK should be received<br>Data byte will be transmitted and ACK should be received  |
|  |   | Load data byte                | X       | 0   | 1     | 1    |  |
| 0xB0                                       | Arbitration lost in SLA+R/W as Master; own SLA+R has been received; ACK has been returned | Load data byte or             | X       | 0   | 1     | 0    | Last data byte will be transmitted and NOT ACK should be received<br>Data byte will be transmitted and ACK should be received  |
|  |   | Load data byte                | X       | 0   | 1     | 1    |  |
| 0xB8                                       | Data byte in TWDR has been transmitted; ACK has been received                             | Load data byte or             | X       | 0   | 1     | 0    | Last data byte will be transmitted and NOT ACK should be received<br>Data byte will be transmitted and ACK should be received  |
|  |   | Load data byte                | X       | 0   | 1     | 1    |  |
| 0xC0                                       | Data byte in TWDR has been transmitted; NOT ACK has been received                         | No TWDR action or             | 0       | 0   | 1     | 0    | Switched to the not addressed Slave mode; no recognition of own SLA or GCA<br>Switched to the not addressed Slave mode; own SLA will be recognized; GCA will be recognized if TWGCE = "1"<br>Switched to the not addressed Slave mode; no recognition of own SLA or GCA; a START condition will be transmitted when the bus becomes free<br>Switched to the not addressed Slave mode; own SLA will be recognized; GCA will be recognized if TWGCE = "1"; a START condition will be transmitted when the bus becomes free |
|  |   | No TWDR action or             | 0       | 0   | 1     | 1    |  |
|  |   | No TWDR action or             | 1       | 0   | 1     | 0    |  |
|  |   | No TWDR action                | 1       | 0   | 1     | 1    |  |
| 0xC8                                       | Last data byte in TWDR has been transmitted (TWEA = "0"); ACK has been received           | No TWDR action or             | 0       | 0   | 1     | 0    | Switched to the not addressed Slave mode; no recognition of own SLA or GCA<br>Switched to the not addressed Slave mode; own SLA will be recognized; GCA will be recognized if TWGCE = "1"<br>Switched to the not addressed Slave mode; no recognition of own SLA or GCA; a START condition will be transmitted when the bus becomes free<br>Switched to the not addressed Slave mode; own SLA will be recognized; GCA will be recognized if TWGCE = "1"; a START condition will be transmitted when the bus becomes free |
|  |   | No TWDR action or             | 0       | 0   | 1     | 1    |  |
|  |   | No TWDR action or             | 1       | 0   | 1     | 0    |  |
|  |   | No TWDR action                | 1       | 0   | 1     | 1    |  |

**Figure 23-18. Formats and States in the Slave Transmitter Mode**



## 23.7.5 Miscellaneous States

There are two status codes that do not correspond to a defined TWI state, see [Table 23-7](#).

Status 0xF8 indicates that no relevant information is available because the TWINT Flag is not set. This occurs between other states, and when the TWI is not involved in a serial transfer.

Status 0x00 indicates that a bus error has occurred during a 2-wire Serial Bus transfer. A bus error occurs when a START or STOP condition occurs at an illegal position in the format frame. Examples of such illegal positions are during the serial transfer of an address byte, a data byte, or an acknowledge bit. When a bus error occurs, TWINT is set. To recover from a bus error, the TWSTO Flag must set and TWINT must be cleared by writing a logic one to it. This causes the TWI to enter the not addressed Slave mode and to clear the TWSTO Flag (no other bits in TWCR are affected). The SDA and SCL lines are released, and no STOP condition is transmitted.

**Table 23-7. Miscellaneous States**

| Status Code (TWSR) Prescaler Bits are 0 | Status of the 2-wire Serial Bus and 2-wire Serial Interface Hardware | Application Software Response |                |     |       | Next Action Taken by TWI Hardware |   |
|---|--|-------------------------------|----------------|-----|-------|-----------------------------------|---|
|   |  | To/from TWDR                  | To TWCR        |     |       |                                   |   |
|   |  |                               | STA            | STO | TWINT |                                   | TWEA  |
| 0xF8                                    | No relevant state information available; TWINT = "0"                 | No TWDR action                | No TWCR action |     |       |                                   | Wait or proceed current transfer  |
| 0x00                                    | Bus error due to an illegal START or STOP condition                  | No TWDR action                | 0              | 1   | 1     | X                                 | Only the internal hardware is affected, no STOP condition is sent on the bus. In all cases, the bus is released and TWSTO is cleared. |

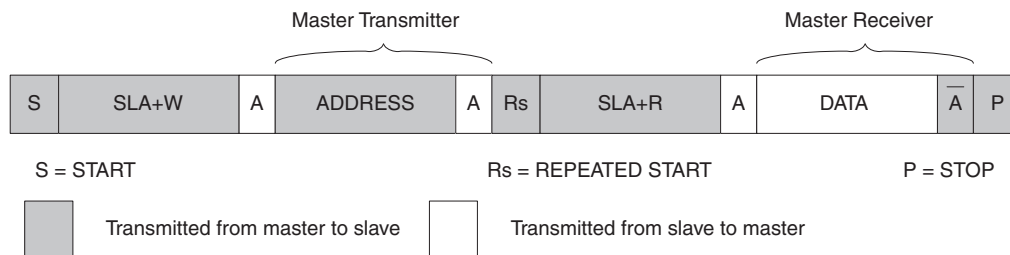
## 23.7.6 Combining Several TWI Modes

In some cases, several TWI modes must be combined in order to complete the desired action. Consider for example reading data from a serial EEPROM. Typically, such a transfer involves the following steps:

1. The transfer must be initiated.
2. The EEPROM must be instructed what location should be read.
3. The reading must be performed.
4. The transfer must be finished.

Note that data is transmitted both from Master to Slave and vice versa. The Master must instruct the Slave what location it wants to read, requiring the use of the MT mode. Subsequently, data must be read from the Slave, implying the use of the MR mode. Thus, the transfer direction must be changed. The Master must keep control of the bus during all these steps, and the steps should be carried out as an atomical operation. If this principle is violated in a multi master system, another Master can alter the data pointer in the EEPROM between steps 2 and 3, and the Master will read the wrong data location. Such a change in transfer direction is accomplished by transmitting a REPEATED START between the transmission of the address byte and reception of the data. After a REPEATED START, the Master keeps ownership of the bus. [Figure 23-19](#) shows the flow in this transfer.

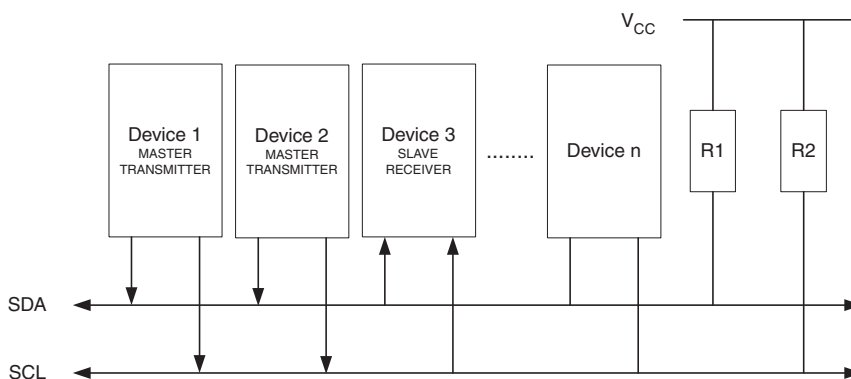
**Figure 23-19. Combining Several TWI Modes to Access a Serial EEPROM**



## 23.8 Multi-master Systems and Arbitration

If multiple masters are connected to the same bus, transmissions may be initiated simultaneously by one or more of them. The TWI standard ensures that such situations are handled in such a way that one of the masters will be allowed to proceed with the transfer, and that no data will be lost in the process. An example of an arbitration situation is depicted below, where two masters are trying to transmit data to a Slave Receiver.

**Figure 23-20. An Arbitration Example**



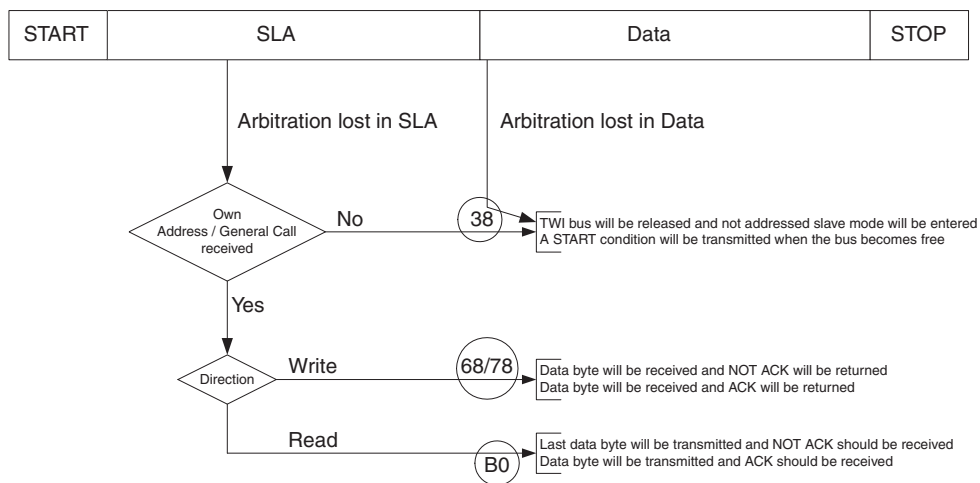
Several different scenarios may arise during arbitration, as described below:

- Two or more masters are performing identical communication with the same Slave. In this case, neither the Slave nor any of the masters will know about the bus contention.
- Two or more masters are accessing the same Slave with different data or direction bit. In this case, arbitration will occur, either in the READ/WRITE bit or in the data bits. The masters trying to output a one on SDA while another Master outputs a zero will lose the arbitration. Losing masters will switch to not addressed Slave mode or wait until the bus is free and transmit a new START condition, depending on application software action.
- Two or more masters are accessing different slaves. In this case, arbitration will occur in the SLA bits. Masters trying to output a one on SDA while another Master outputs a zero will lose the arbitration. Masters losing arbitration in SLA will switch to Slave mode to check if they are being addressed by the winning Master. If addressed, they will switch to SR or ST mode, depending on the value of the READ/WRITE bit. If they are not being addressed, they will switch to not addressed Slave mode or wait until the bus is free and transmit a new START condition, depending on application software action.

This is summarized in [Figure 23-21](#). Possible status values are given in circles.



**Figure 23-21. Possible Status Codes Caused by Arbitration**



## 23.9 Register Description

### 23.9.1 TWBR – TWI Bit Rate Register

|               |              |              |              |              |              |              |              |              |      |
|---------------|--------------|--------------|--------------|--------------|--------------|--------------|--------------|--------------|------|
| Bit           | 7            | 6            | 5            | 4            | 3            | 2            | 1            | 0            |      |
| (0xB8)        | <b>TWBR7</b> | <b>TWBR6</b> | <b>TWBR5</b> | <b>TWBR4</b> | <b>TWBR3</b> | <b>TWBR2</b> | <b>TWBR1</b> | <b>TWBR0</b> | TWBR |
| Read/Write    | R/W          | R/W          | R/W          | R/W          | R/W          | R/W          | R/W          | R/W          |      |
| Initial Value | 0            | 0            | 0            | 0            | 0            | 0            | 0            | 0            |      |

- **Bits 7:0 – TWI Bit Rate Register**

TWBR selects the division factor for the bit rate generator. The bit rate generator is a frequency divider which generates the SCL clock frequency in the Master modes. See ["Bit Rate Generator Unit" on page 222](#) for calculating bit rates.

### 23.9.2 TWCR – TWI Control Register

|               |              |             |              |              |             |             |   |             |      |
|---------------|--------------|-------------|--------------|--------------|-------------|-------------|---|-------------|------|
| Bit           | 7            | 6           | 5            | 4            | 3           | 2           | 1 | 0           |      |
| (0xBC)        | <b>TWINT</b> | <b>TWEA</b> | <b>TWSTA</b> | <b>TWSTO</b> | <b>TWWC</b> | <b>TWEN</b> | – | <b>TWIE</b> | TWCR |
| Read/Write    | R/W          | R/W         | R/W          | R/W          | R           | R/W         | R | R/W         |      |
| Initial Value | 0            | 0           | 0            | 0            | 0           | 0           | 0 | 0           |      |

The TWCR is used to control the operation of the TWI. It is used to enable the TWI, to initiate a Master access by applying a START condition to the bus, to generate a Receiver acknowledge, to generate a stop condition, and to control halting of the bus while the data to be written to the bus are written to the TWDR. It also indicates a write collision if data is attempted written to TWDR while the register is inaccessible.

- **Bit 7 – TWINT: TWI Interrupt Flag**

This bit is set by hardware when the TWI has finished its current job and expects application software response. If the I-bit in SREG and TWIE in TWCR are set, the MCU will jump to the TWI Interrupt Vector. While the TWINT Flag is set, the SCL low period is stretched. The TWINT Flag must be cleared by software by writing a logic one to it. Note that this flag is not automatically cleared by hardware when executing the interrupt routine. Also note that clearing this flag starts the operation of the TWI, so all accesses to the TWI Address Register (TWAR), TWI Status Register (TWSR), and TWI Data Register (TWDR) must be complete before clearing this flag.

- **Bit 6 – TWEA: TWI Enable Acknowledge Bit**

The TWEA bit controls the generation of the acknowledge pulse. If the TWEA bit is written to one, the ACK pulse is generated on the TWI bus if the following conditions are met:

1. The device's own slave address has been received.
2. A general call has been received, while the TWGCE bit in the TWAR is set.
3. A data byte has been received in Master Receiver or Slave Receiver mode.

By writing the TWEA bit to zero, the device can be virtually disconnected from the 2-wire Serial Bus temporarily. Address recognition can then be resumed by writing the TWEA bit to one again.

- **Bit 5 – TWSTA: TWI START Condition Bit**

The application writes the TWSTA bit to one when it desires to become a Master on the 2-wire Serial Bus. The TWI hardware checks if the bus is available, and generates a START condition on the bus if it is free. However, if the bus is not free, the TWI waits until a STOP condition is detected, and then generates a new START condition to claim the bus Master status. TWSTA must be cleared by software when the START condition has been transmitted.

- **Bit 4 – TWSTO: TWI STOP Condition Bit**

Writing the TWSTO bit to one in Master mode will generate a STOP condition on the 2-wire Serial Bus. When the STOP condition is executed on the bus, the TWSTO bit is cleared automatically. In Slave mode, setting the TWSTO bit can be used to recover from an error condition. This will not generate a STOP condition, but the TWI returns to a well-defined unaddressed Slave mode and releases the SCL and SDA lines to a high impedance state.

- **Bit 3 – TWWC: TWI Write Collision Flag**

The TWWC bit is set when attempting to write to the TWI Data Register – TWDR when TWINT is low. This flag is cleared by writing the TWDR Register when TWINT is high.

- **Bit 2 – TWEN: TWI Enable Bit**

The TWEN bit enables TWI operation and activates the TWI interface. When TWEN is written to one, the TWI takes control over the I/O pins connected to the SCL and SDA pins, enabling the slew-rate limiters and spike filters. If this bit is written to zero, the TWI is switched off and all TWI transmissions are terminated, regardless of any ongoing operation.

- **Bit 1 – Reserved**

This bit is a reserved bit and will always read as zero.

- **Bit 0 – TWIE: TWI Interrupt Enable**

When this bit is written to one, and the I-bit in SREG is set, the TWI interrupt request will be activated for as long as the TWINT Flag is high.

### 23.9.3 TWSR – TWI Status Register

|               |             |             |             |             |             |   |              |              |             |
|---------------|-------------|-------------|-------------|-------------|-------------|---|--------------|--------------|-------------|
| Bit           | 7           | 6           | 5           | 4           | 3           | 2 | 1            | 0            |             |
| (0xB9)        | <b>TWS7</b> | <b>TWS6</b> | <b>TWS5</b> | <b>TWS4</b> | <b>TWS3</b> | – | <b>TWPS1</b> | <b>TWPS0</b> | <b>TWSR</b> |
| Read/Write    | R           | R           | R           | R           | R           | R | R/W          | R/W          |             |
| Initial Value | 1           | 1           | 1           | 1           | 1           | 0 | 0            | 0            |             |

- **Bits 7:3 – TWS: TWI Status**

These 5 bits reflect the status of the TWI logic and the 2-wire Serial Bus. The different status codes are described later in this section. Note that the value read from TWSR contains both the 5-bit status value and the 2-bit prescaler value. The application designer should mask the prescaler bits to zero when checking the Status bits. This makes status checking independent of prescaler setting. This approach is used in this datasheet, unless otherwise noted.

- **Bit 2 – Reserved**

This bit is reserved and will always read as zero.

- **Bits 1:0 – TWPS: TWI Prescaler Bits**

These bits can be read and written, and control the bit rate prescaler.

**Table 23-8. TWI Bit Rate Prescaler**

| TWPS1 | TWPS0 | Prescaler Value |
|-------|-------|-----------------|
| 0     | 0     | 1               |
| 0     | 1     | 4               |
| 1     | 0     | 16              |
| 1     | 1     | 64              |

To calculate bit rates, see ["Bit Rate Generator Unit" on page 222](#). The value of TWPS1...0 is used in the equation.

### 23.9.4 TWDR – TWI Data Register

|               |             |             |             |             |             |             |             |             |             |
|---------------|-------------|-------------|-------------|-------------|-------------|-------------|-------------|-------------|-------------|
| Bit           | 7           | 6           | 5           | 4           | 3           | 2           | 1           | 0           |             |
| (0xBB)        | <b>TWD7</b> | <b>TWD6</b> | <b>TWD5</b> | <b>TWD4</b> | <b>TWD3</b> | <b>TWD2</b> | <b>TWD1</b> | <b>TWD0</b> | <b>TWDR</b> |
| Read/Write    | R/W         | R/W         | R/W         | R/W         | R/W         | R/W         | R/W         | R/W         |             |
| Initial Value | 1           | 1           | 1           | 1           | 1           | 1           | 1           | 1           |             |

In Transmit mode, TWDR contains the next byte to be transmitted. In Receive mode, the TWDR contains the last byte received. It is writable while the TWI is not in the process of shifting a byte. This occurs when the TWI Interrupt Flag (TWINT) is set by hardware. Note that the Data Register cannot be initialized by the user before the first interrupt occurs. The data in TWDR remains stable as long as TWINT is set. While data is shifted out, data on the bus is simultaneously shifted in. TWDR always contains the last byte present on the bus, except after a wake up from a sleep mode by the TWI interrupt. In this case, the contents of TWDR is undefined. In the case of a lost bus arbitration, no data is lost in the transition from Master to Slave. Handling of the ACK bit is controlled automatically by the TWI logic, the CPU cannot access the ACK bit directly.

- **Bits 7:0 – TWD: TWI Data Register**

These eight bits constitute the next data byte to be transmitted, or the latest data byte received on the 2-wire Serial Bus.

## 23.9.5 TWAR – TWI (Slave) Address Register

|               |  |      |      |      |      |      |       |     |      |      |      |      |      |      |      |       |      |
|---------------|--|------|------|------|------|------|-------|-----|------|------|------|------|------|------|------|-------|------|
| Bit           | 7  | 6    | 5    | 4    | 3    | 2    | 1     | 0   |      |      |      |      |      |      |      |       |      |
| (0xBA)        | <table style="width: 100%; border-collapse: collapse;"> <tr> <td style="border: 1px solid black; padding: 2px;">TWA6</td> <td style="border: 1px solid black; padding: 2px;">TWA5</td> <td style="border: 1px solid black; padding: 2px;">TWA4</td> <td style="border: 1px solid black; padding: 2px;">TWA3</td> <td style="border: 1px solid black; padding: 2px;">TWA2</td> <td style="border: 1px solid black; padding: 2px;">TWA1</td> <td style="border: 1px solid black; padding: 2px;">TWA0</td> <td style="border: 1px solid black; padding: 2px;">TWGCE</td> </tr> </table> |      |      |      |      |      |       |     | TWA6 | TWA5 | TWA4 | TWA3 | TWA2 | TWA1 | TWA0 | TWGCE | TWAR |
| TWA6          | TWA5   | TWA4 | TWA3 | TWA2 | TWA1 | TWA0 | TWGCE |     |      |      |      |      |      |      |      |       |      |
| Read/Write    | R/W  | R/W  | R/W  | R/W  | R/W  | R/W  | R/W   | R/W |      |      |      |      |      |      |      |       |      |
| Initial Value | 1  | 1    | 1    | 1    | 1    | 1    | 1     | 0   |      |      |      |      |      |      |      |       |      |

The TWAR should be loaded with the 7-bit Slave address (in the seven most significant bits of TWAR) to which the TWI will respond when programmed as a Slave Transmitter or Receiver, and not needed in the Master modes. In multi master systems, TWAR must be set in masters which can be addressed as Slaves by other Masters.

The LSB of TWAR is used to enable recognition of the general call address (0x00). There is an associated address comparator that looks for the slave address (or general call address if enabled) in the received serial address. If a match is found, an interrupt request is generated.

- **Bits 7:1 – TWA: TWI (Slave) Address Register**

These seven bits constitute the slave address of the TWI unit.

- **Bit 0 – TWGCE: TWI General Call Recognition Enable Bit**

If set, this bit enables the recognition of a General Call given over the 2-wire Serial Bus.

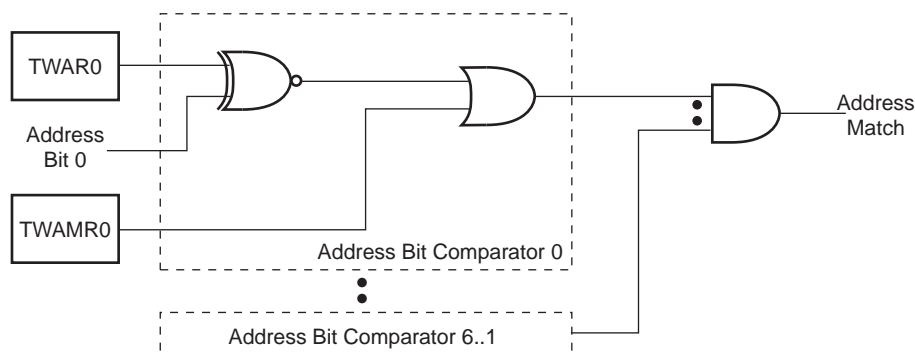
## 23.9.6 TWAMR – TWI (Slave) Address Mask Register

|               |   |     |     |     |     |     |     |           |  |  |  |  |  |  |   |       |
|---------------|---|-----|-----|-----|-----|-----|-----|-----------|--|--|--|--|--|--|---|-------|
| Bit           | 7   | 6   | 5   | 4   | 3   | 2   | 1   | 0         |  |  |  |  |  |  |   |       |
| (0xBD)        | <table style="width: 100%; border-collapse: collapse;"> <tr> <td colspan="7" style="border: 1px solid black; padding: 2px;">TWAM[6:0]</td> <td style="border: 1px solid black; padding: 2px;">-</td> </tr> </table> |     |     |     |     |     |     | TWAM[6:0] |  |  |  |  |  |  | - | TWAMR |
| TWAM[6:0]     |   |     |     |     |     |     | -   |           |  |  |  |  |  |  |   |       |
| Read/Write    | R/W   | R/W | R/W | R/W | R/W | R/W | R/W | R         |  |  |  |  |  |  |   |       |
| Initial Value | 0   | 0   | 0   | 0   | 0   | 0   | 0   | 0         |  |  |  |  |  |  |   |       |

- **Bits 7:1 – TWAM: TWI Address Mask**

The TWAMR can be loaded with a 7-bit Slave Address mask. Each of the bits in TWAMR can mask (disable) the corresponding address bits in the TWI Address Register (TWAR). If the mask bit is set to one then the address match logic ignores the compare between the incoming address bit and the corresponding bit in TWAR. [Figure 23-22 on page 245](#) shows the address match logic in detail.

**Figure 23-22. TWI Address Match Logic, Block Diagram**



- **Bit 0 – Reserved**

This bit is an unused bit in the Microchip ATmega48PB/88PB/168PB, and will always read as zero.

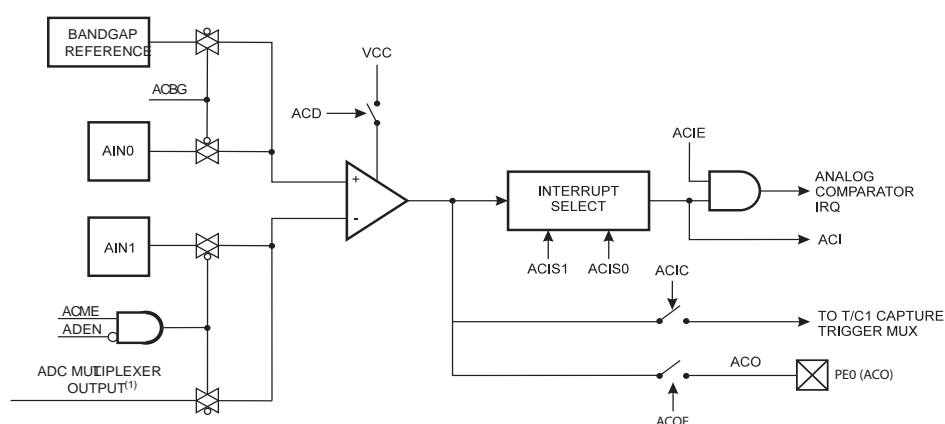
## 24. Analog Comparator

### 24.1 Overview

The Analog Comparator compares the input values on the positive pin AIN0 and negative pin AIN1. When the voltage on the positive pin AIN0 is higher than the voltage on the negative pin AIN1, the Analog Comparator output, ACO (on Port E[0]), is set. The comparator's output can be set to trigger the Timer/Counter1 Input Capture function. In addition, the comparator can trigger a separate interrupt, exclusive to the Analog Comparator. The user can select Interrupt triggering on comparator output rise, fall or toggle. A block diagram of the comparator and its surrounding logic is shown in [Figure 24-1](#).

The Power Reduction ADC bit, PRADC, in "[Minimizing Power Consumption](#)" on page 49 must be disabled by writing a logical zero to be able to use the ADC input MUX.

**Figure 24-1. Analog Comparator Block Diagram<sup>(2)</sup>**



- Notes:
1. See [Table 24-1 on page 246](#).
  2. Refer to [Figure 2-1 on page 10](#) and [Table 15-9 on page 94](#) for Analog Comparator pin placement.

### 24.2 Analog Comparator Multiplexed Input

It is possible to select any of the ADC7...0 pins to replace the negative input to the Analog Comparator. The ADC multiplexer is used to select this input, and consequently, the ADC must be switched off to utilize this feature. If the Analog Comparator Multiplexer Enable bit (ACME in ADCSRB) is set and the ADC is switched off (ADEN in ADCSRA is zero), MUX2...0 in ADMUX select the input pin to replace the negative input to the Analog Comparator, as shown in [Table 24-1](#). If ACME is cleared or ADEN is set, AIN1 is applied to the negative input to the Analog Comparator.

**Table 24-1. Analog Comparator Multiplexed Input**

| ACME | ADEN | MUX2...0 | Analog Comparator Negative Input |
|------|------|----------|----------------------------------|
| 0    | x    | xxx      | AIN1                             |
| 1    | 1    | xxx      | AIN1                             |
| 1    | 0    | 000      | ADC0                             |
| 1    | 0    | 001      | ADC1                             |
| 1    | 0    | 010      | ADC2                             |
| 1    | 0    | 011      | ADC3                             |
| 1    | 0    | 100      | ADC4                             |

**Table 24-1. Analog Comparator Multiplexed Input (Continued)**

| ACME | ADEN | MUX2...0 | Analog Comparator Negative Input |
|------|------|----------|----------------------------------|
| 1    | 0    | 101      | ADC5                             |
| 1    | 0    | 110      | ADC6                             |
| 1    | 0    | 111      | ADC7                             |

## 24.3 Register Description

### 24.3.1 ADCSRB – ADC Control and Status Register B

| Bit           | 7 | 6    | 5 | 4 | 3 | 2     | 1     | 0     |        |
|---------------|---|------|---|---|---|-------|-------|-------|--------|
| (0x7B)        | - | ACME | - | - | - | ADTS2 | ADTS1 | ADTS0 | ADCSRB |
| Read/Write    | R | R/W  | R | R | R | R/W   | R/W   | R/W   |        |
| Initial Value | 0 | 0    | 0 | 0 | 0 | 0     | 0     | 0     |        |

- **Bit 6 – ACME: Analog Comparator Multiplexer Enable**

When this bit is written logic one and the ADC is switched off (ADEN in ADCSRA is zero), the ADC multiplexer selects the negative input to the Analog Comparator. When this bit is written logic zero, AIN1 is applied to the negative input of the Analog Comparator. For a detailed description of this bit, see ["Analog Comparator Multiplexed Input" on page 246](#).

### 24.3.2 ACSR0 – Analog Comparator Control and Status Register C

| Bit           | 7 | 6 | 5 | 4 | 3 | 2 | 1 | 0    |       |
|---------------|---|---|---|---|---|---|---|------|-------|
| 0x2F (0x4F)   | - | - | - | - | - | - | - | ACOE | ACSR0 |
| Read/Write    | R | R | R | R | R | R | R | R/W  |       |
| Initial Value | 0 | 0 | 0 | 0 | 0 | 0 | 0 | 0    |       |

- **Bit 7:1 – Reserved**

These bits are unused bits in the Microchip ATmega48PB/88PB/168PB, and will always read as zero.

- **Bit 0 – ACOE: Analog Comparator Output Enable**

When this bit is set, the analog comparator output is connected to the ACO pin.

### 24.3.3 ACSR – Analog Comparator Control and Status Register

| Bit           | 7   | 6    | 5   | 4   | 3    | 2    | 1     | 0     |      |
|---------------|-----|------|-----|-----|------|------|-------|-------|------|
| 0x30 (0x50)   | ACD | ACBG | ACO | ACI | ACIE | ACIC | ACIS1 | ACIS0 | ACSR |
| Read/Write    | R/W | R/W  | R   | R/W | R/W  | R/W  | R/W   | R/W   |      |
| Initial Value | 0   | 0    | N/A | 0   | 0    | 0    | 0     | 0     |      |

- **Bit 7 – ACD: Analog Comparator Disable**

When this bit is written logic one, the power to the Analog Comparator is switched off. This bit can be set at any time to turn off the Analog Comparator. This will reduce power consumption in Active and Idle mode. When changing the ACD bit, the Analog Comparator Interrupt must be disabled by clearing the ACIE bit in ACSR. Otherwise an interrupt can occur when the bit is changed.

- **Bit 6 – ACBG: Analog Comparator Bandgap Select**

When this bit is set, a fixed bandgap reference voltage replaces the positive input to the Analog Comparator. When this bit is cleared, AIN0 is applied to the positive input of the Analog Comparator. When the bandgap reference is

used as input to the Analog Comparator, it will take a certain time for the voltage to stabilize. If not stabilized, the first conversion may give a wrong value. See ["Internal Voltage Reference" on page 58](#)

- **Bit 5 – ACO: Analog Comparator Output**

The output of the Analog Comparator is synchronized and then directly connected to ACO. The synchronization introduces a delay of 1 - 2 clock cycles.

- **Bit 4 – ACI: Analog Comparator Interrupt Flag**

This bit is set by hardware when a comparator output event triggers the interrupt mode defined by ACIS1 and ACIS0. The Analog Comparator interrupt routine is executed if the ACIE bit is set and the I-bit in SREG is set. ACI is cleared by hardware when executing the corresponding interrupt handling vector. Alternatively, ACI is cleared by writing a logic one to the flag.

- **Bit 3 – ACIE: Analog Comparator Interrupt Enable**

When the ACIE bit is written logic one and the I-bit in the Status Register is set, the Analog Comparator interrupt is activated. When written logic zero, the interrupt is disabled.

- **Bit 2 – ACIC: Analog Comparator Input Capture Enable**

When written logic one, this bit enables the input capture function in Timer/Counter1 to be triggered by the Analog Comparator. The comparator output is in this case directly connected to the input capture front-end logic, making the comparator utilize the noise canceler and edge select features of the Timer/Counter1 Input Capture interrupt. When written logic zero, no connection between the Analog Comparator and the input capture function exists. To make the comparator trigger the Timer/Counter1 Input Capture interrupt, the ICIE1 bit in the Timer Interrupt Mask Register (TIMSK1) must be set.

- **Bits 1, 0 – ACIS1, ACIS0: Analog Comparator Interrupt Mode Select**

These bits determine which comparator events that trigger the Analog Comparator interrupt. The different settings are shown in [Table 24-2](#).

**Table 24-2. ACIS1/ACIS0 Settings**

| ACIS1 | ACIS0 | Interrupt Mode                               |
|-------|-------|--|
| 0     | 0     | Comparator Interrupt on Output Toggle.       |
| 0     | 1     | Reserved                                     |
| 1     | 0     | Comparator Interrupt on Falling Output Edge. |
| 1     | 1     | Comparator Interrupt on Rising Output Edge.  |

When changing the ACIS1/ACIS0 bits, the Analog Comparator Interrupt must be disabled by clearing its Interrupt Enable bit in the ACSR Register. Otherwise an interrupt can occur when the bits are changed.



## 24.3.4 DIDR1 – Digital Input Disable Register 1

| Bit           | 7 | 6 | 5 | 4 | 3 | 2 | 1            | 0            |       |
|---------------|---|---|---|---|---|---|--------------|--------------|-------|
| (0x7F)        | – | – | – | – | – | – | <b>AIN1D</b> | <b>AIN0D</b> | DIDR1 |
| Read/Write    | R | R | R | R | R | R | R/W          | R/W          |       |
| Initial Value | 0 | 0 | 0 | 0 | 0 | 0 | 0            | 0            |       |

- **Bit 7:2 – Reserved**

These bits are unused bits in the Microchip ATmega48PB/88PB/168PB, and will always read as zero.

- **Bit 1, 0 – AIN1D, AIN0D: AIN1, AIN0 Digital Input Disable**

When this bit is written logic one, the digital input buffer on the AIN1/0 pin is disabled. The corresponding PIN Register bit will always read as zero when this bit is set. When an analog signal is applied to the AIN1/0 pin and the digital input from this pin is not needed, this bit should be written logic one to reduce power consumption in the digital input buffer.

## 25. Analog-to-Digital Converter

### 25.1 Features

- 10-bit Resolution
- 0.5 LSB Integral Non-linearity
- $\pm 2$  LSB Absolute Accuracy
- 13 - 260 $\mu$ s Conversion Time
- Up to 76.9ksps (Up to 15ksps at Maximum Resolution)
- Six Multiplexed Single Ended Input Channels
- Two Additional Multiplexed Single Ended Input Channels (TQFP and VQFN Package only)
- Temperature Sensor Input Channel
- Optional Left Adjustment for ADC Result Readout
- 0 -  $V_{CC}$  ADC Input Voltage Range
- Selectable 1.1V ADC Reference Voltage
- Free Running or Single Conversion Mode
- Interrupt on ADC Conversion Complete
- Sleep Mode Noise Canceler

### 25.2 Overview

The Microchip ATmega48PB/88PB/168PB features a 10-bit successive approximation ADC. The ADC is connected to an 8-channel Analog Multiplexer which allows eight single-ended voltage inputs constructed from the pins of Port A. The single-ended voltage inputs refer to 0V (GND).

The ADC contains a Sample and Hold circuit which ensures that the input voltage to the ADC is held at a constant level during conversion. A block diagram of the ADC is shown in [Figure 25-1 on page 251](#).

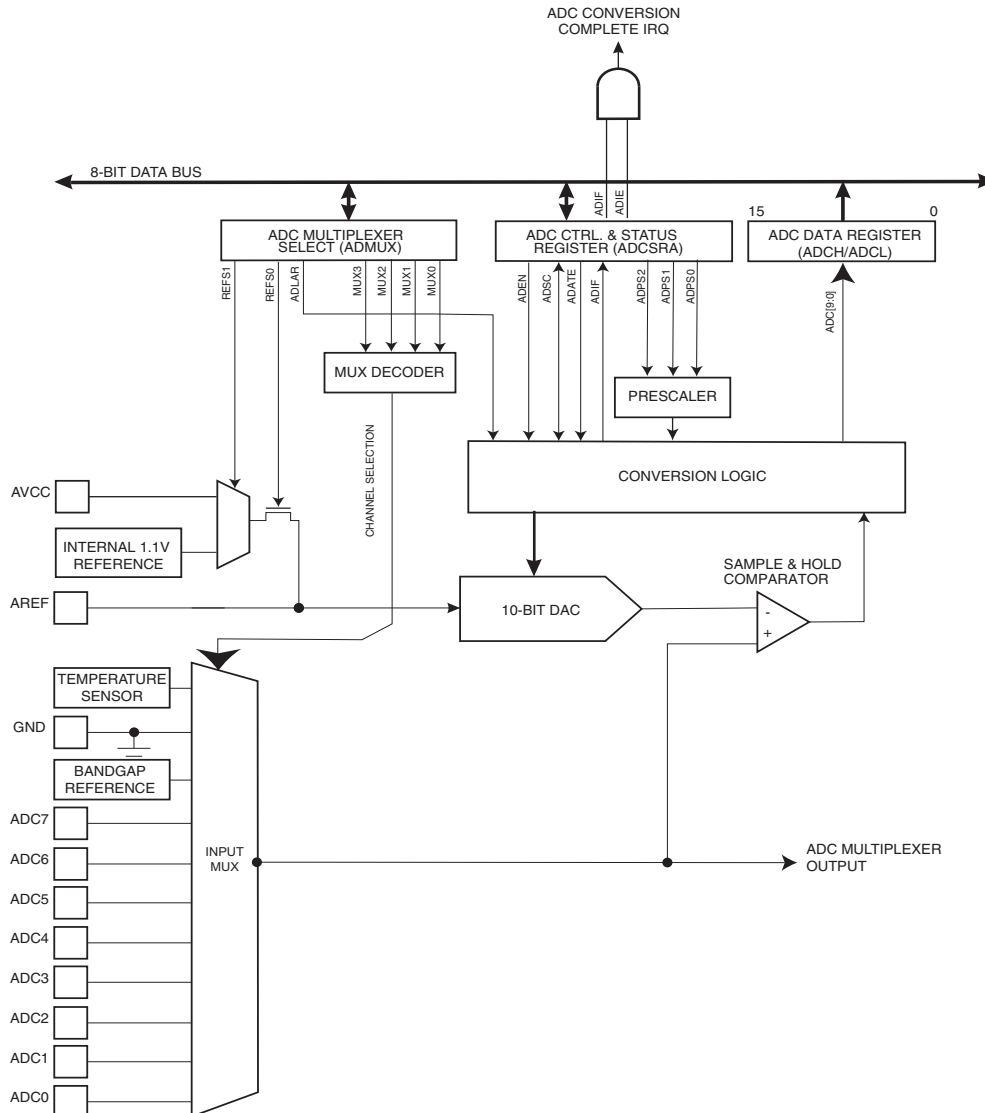
The ADC has a separate analog supply voltage pin,  $AV_{CC}$ .  $AV_{CC}$  must not differ more than  $\pm 0.3V$  from  $V_{CC}$ . See the paragraph ["ADC Noise Canceler" on page 256](#) on how to connect this pin.

Internal reference voltages of nominally 1.1V or  $AV_{CC}$  are provided On-chip. The voltage reference may be externally decoupled at the AREF pin by a capacitor for better noise performance.

The Power Reduction ADC bit, PRADC, in ["Minimizing Power Consumption" on page 49](#) may be disabled by writing a logical zero to enable the ADC.

The ADC converts an analog input voltage to a 10-bit digital value through successive approximation. The minimum value represents GND and the maximum value represents the voltage on the AREF pin minus 1 LSB. Optionally,  $AV_{CC}$  or an internal 1.1V reference voltage may be connected to the AREF pin by writing to the REFSn bits in the ADMUX Register. The internal voltage reference may be decoupled by an external capacitor at the AREF pin to improve noise immunity.

Figure 25-1. Analog to Digital Converter Block Schematic Operation,



The analog input channel is selected by writing to the MUX bits in ADMUX. Any of the ADC input pins, as well as GND and a fixed bandgap voltage reference, can be selected as single ended inputs to the ADC. The ADC is enabled by setting the ADC Enable bit, ADEN in ADCSRA. Voltage reference and input channel selections will not go into effect until ADEN is set. The ADC does not consume power when ADEN is cleared, so it is recommended to switch off the ADC before entering power saving sleep modes.

The ADC generates a 10-bit result which is presented in the ADC Data Registers, ADCH and ADCL. By default, the result is presented right adjusted, but can optionally be presented left adjusted by setting the ADLAR bit in ADMUX.

If the result is left adjusted and no more than 8-bit precision is required, it is sufficient to read ADCH. Otherwise, ADCL must be read first, then ADCH, to ensure that the content of the Data Registers belongs to the same conversion. Once ADCL is read, ADC access to Data Registers is blocked. This means that if ADCL has been read, and a conversion completes before ADCH is read, neither register is updated and the result from the conversion is lost. When ADCH is read, ADC access to the ADCH and ADCL Registers is re-enabled.

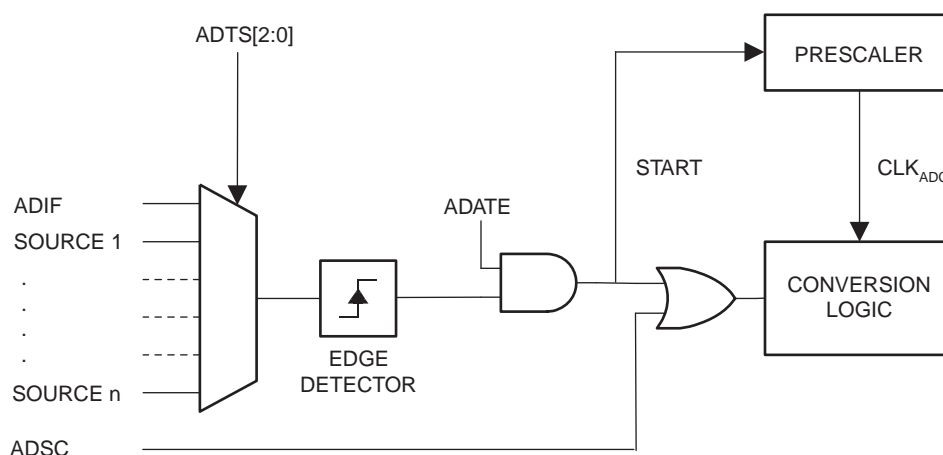
The ADC has its own interrupt which can be triggered when a conversion completes. When ADC access to the Data Registers is prohibited between reading of ADCH and ADCL, the interrupt will trigger even if the result is lost.

## 25.3 Starting a Conversion

A single conversion is started by disabling the Power Reduction ADC bit, PRADC, in "Minimizing Power Consumption" on page 49 by writing a logical zero to it and writing a logical one to the ADC Start Conversion bit, ADSC. This bit stays high as long as the conversion is in progress and will be cleared by hardware when the conversion is completed. If a different data channel is selected while a conversion is in progress, the ADC will finish the current conversion before performing the channel change.

Alternatively, a conversion can be triggered automatically by various sources. Auto Triggering is enabled by setting the ADC Auto Trigger Enable bit, ADATE in ADCSRA. The trigger source is selected by setting the ADC Trigger Select bits, ADTS in ADCSRB (See description of the ADTS bits for a list of the trigger sources). When a positive edge occurs on the selected trigger signal, the ADC prescaler is reset and a conversion is started. This provides a method of starting conversions at fixed intervals. If the trigger signal still is set when the conversion completes, a new conversion will not be started. If another positive edge occurs on the trigger signal during conversion, the edge will be ignored. Note that an Interrupt Flag will be set even if the specific interrupt is disabled or the Global Interrupt Enable bit in SREG is cleared. A conversion can thus be triggered without causing an interrupt. However, the Interrupt Flag must be cleared in order to trigger a new conversion at the next interrupt event.

**Figure 25-2. ADC Auto Trigger Logic**

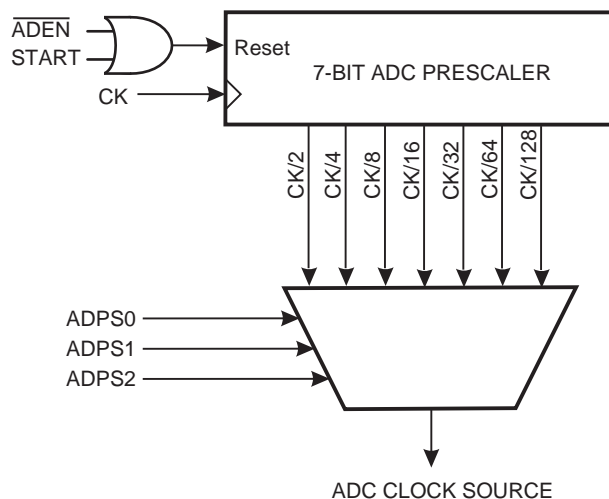


Using the ADC Interrupt Flag as a trigger source makes the ADC start a new conversion as soon as the ongoing conversion has finished. The ADC then operates in Free Running mode, constantly sampling and updating the ADC Data Register. The first conversion must be started by writing a logical one to the ADSC bit in ADCSRA. In this mode the ADC will perform successive conversions independently of whether the ADC Interrupt Flag, ADIF is cleared or not.

If Auto Triggering is enabled, single conversions can be started by writing ADSC in ADCSRA to one. ADSC can also be used to determine if a conversion is in progress. The ADSC bit will be read as one during a conversion, independently of how the conversion was started.

## 25.4 Prescaling and Conversion Timing

Figure 25-3. ADC Prescaler



By default, the successive approximation circuitry requires an input clock frequency between 50kHz and 200kHz to get maximum resolution. If a lower resolution than 10 bits is needed, the input clock frequency to the ADC can be higher than 200kHz to get a higher sample rate.

The ADC module contains a prescaler, which generates an acceptable ADC clock frequency from any CPU frequency above 100kHz. The prescaling is set by the ADPS bits in ADCSRA. The prescaler starts counting from the moment the ADC is switched on by setting the ADEN bit in ADCSRA. The prescaler keeps running for as long as the ADEN bit is set, and is continuously reset when ADEN is low.

When initiating a single ended conversion by setting the ADSC bit in ADCSRA, the conversion starts at the following rising edge of the ADC clock cycle.

A normal conversion takes 13 ADC clock cycles. The first conversion after the ADC is switched on (ADEN in ADCSRA is set) takes 25 ADC clock cycles in order to initialize the analog circuitry.

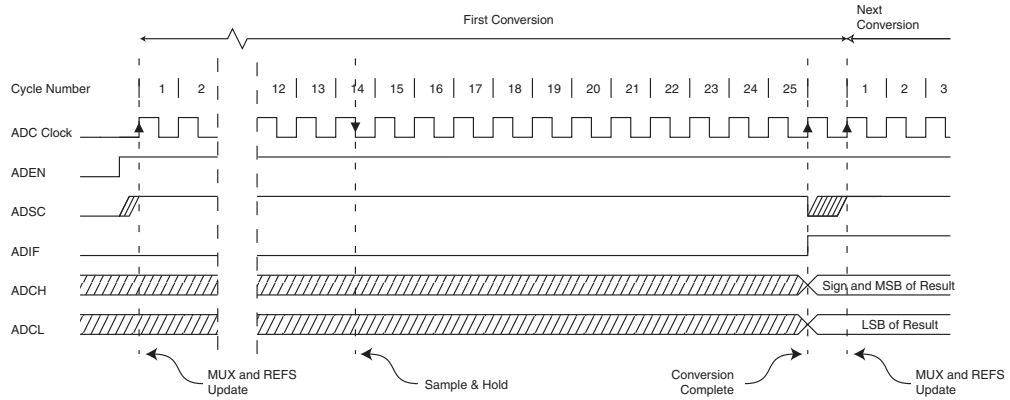
When the bandgap reference voltage is used as input to the ADC, it will take a certain time for the voltage to stabilize. If not stabilized, the first value read after the first conversion may be wrong.

The actual sample-and-hold takes place 1.5 ADC clock cycles after the start of a normal conversion and 13.5 ADC clock cycles after the start of an first conversion. When a conversion is complete, the result is written to the ADC Data Registers, and ADIF is set. In Single Conversion mode, ADSC is cleared simultaneously. The software may then set ADSC again, and a new conversion will be initiated on the first rising ADC clock edge.

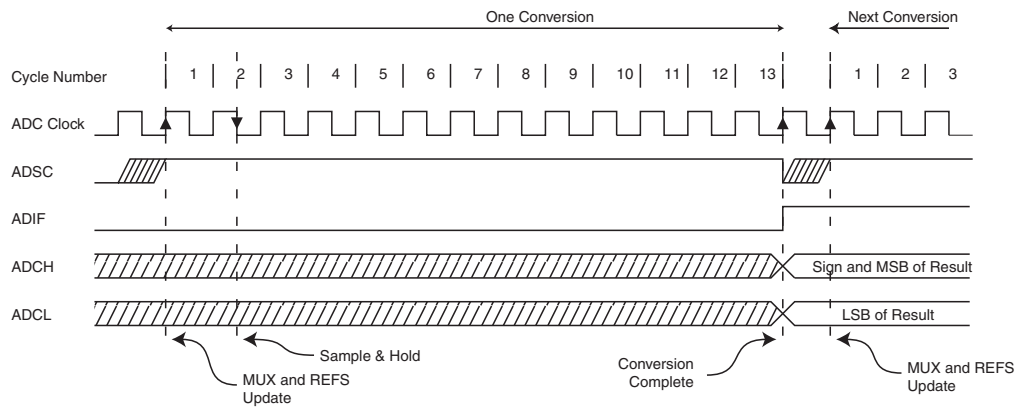
When Auto Triggering is used, the prescaler is reset when the trigger event occurs. This assures a fixed delay from the trigger event to the start of conversion. In this mode, the sample-and-hold takes place two ADC clock cycles after the rising edge on the trigger source signal. Three additional CPU clock cycles are used for synchronization logic.

In Free Running mode, a new conversion will be started immediately after the conversion completes, while ADSC remains high. For a summary of conversion times, see [Table 25-1 on page 255](#).

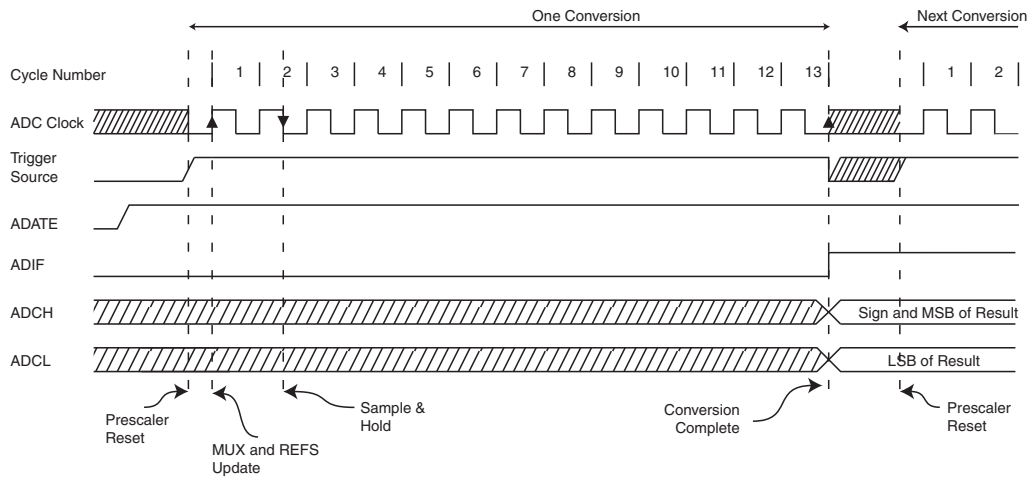
**Figure 25-4. ADC Timing Diagram, First Conversion (Single Conversion Mode)**



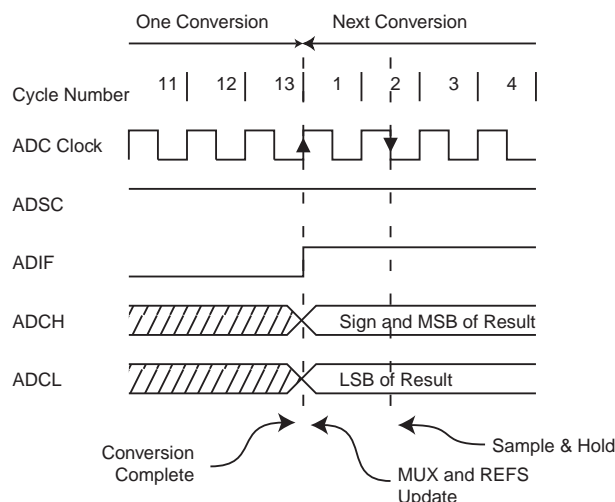
**Figure 25-5. ADC Timing Diagram, Single Conversion**



**Figure 25-6. ADC Timing Diagram, Auto Triggered Conversion**



**Figure 25-7. ADC Timing Diagram, Free Running Conversion**



**Table 25-1. ADC Conversion Time**

| Condition                        | Sample & Hold (Cycles from Start of Conversion) | Conversion Time (Cycles) |
|----------------------------------|---|--------------------------|
| First conversion                 | 13.5  | 25                       |
| Normal conversions, single ended | 1.5   | 13                       |
| Auto Triggered conversions       | 2   | 13.5                     |

## 25.5 Changing Channel or Reference Selection

The MUXn and REFS1:0 bits in the ADMUX Register are single buffered through a temporary register to which the CPU has random access. This ensures that the channels and reference selection only takes place at a safe point during the conversion. The channel and reference selection is continuously updated until a conversion is started. Once the conversion starts, the channel and reference selection is locked to ensure a sufficient sampling time for the ADC. Continuous updating resumes in the last ADC clock cycle before the conversion completes (ADIF in ADCSRA is set). Note that the conversion starts on the following rising ADC clock edge after ADSC is written. The user is thus advised not to write new channel or reference selection values to ADMUX until one ADC clock cycle after ADSC is written.

If Auto Triggering is used, the exact time of the triggering event can be indeterministic. Special care must be taken when updating the ADMUX Register, in order to control which conversion will be affected by the new settings.

If both ADATE and ADEN is written to one, an interrupt event can occur at any time. If the ADMUX Register is changed in this period, the user cannot tell if the next conversion is based on the old or the new settings. ADMUX can be safely updated in the following ways:

1. When ADATE or ADEN is cleared.
  - 1.1. During conversion, minimum one ADC clock cycle after the trigger event.
  - 1.2. After a conversion, before the Interrupt Flag used as trigger source is cleared.

When updating ADMUX in one of these conditions, the new settings will affect the next ADC conversion.

### 25.5.1 ADC Input Channels

When changing channel selections, the user should observe the following guidelines to ensure that the correct channel is selected:

In Single Conversion mode, always select the channel before starting the conversion. The channel selection may be changed one ADC clock cycle after writing one to ADSC. However, the simplest method is to wait for the conversion to complete before changing the channel selection.

In Free Running mode, always select the channel before starting the first conversion. The channel selection may be changed one ADC clock cycle after writing one to ADSC. However, the simplest method is to wait for the first conversion to complete, and then change the channel selection. Since the next conversion has already started automatically, the next result will reflect the previous channel selection. Subsequent conversions will reflect the new channel selection.

### 25.5.2 ADC Voltage Reference

The reference voltage for the ADC ( $V_{REF}$ ) indicates the conversion range for the ADC. Single ended channels that exceed  $V_{REF}$  will result in codes close to 0x3FF.  $V_{REF}$  can be selected as either  $AV_{CC}$ , internal 1.1V reference, or external AREF pin.

$AV_{CC}$  is connected to the ADC through a passive switch. The internal 1.1V reference is generated from the internal bandgap reference ( $V_{BG}$ ) through an internal amplifier. In either case, the external AREF pin is directly connected to the ADC, and the reference voltage can be made more immune to noise by connecting a capacitor between the AREF pin and ground.  $V_{REF}$  can also be measured at the AREF pin with a high impedance voltmeter. Note that  $V_{REF}$  is a high impedance source, and only a capacitive load should be connected in a system.

If the user has a fixed voltage source connected to the AREF pin, the user may not use the other reference voltage options in the application, as they will be shorted to the external voltage. If no external voltage is applied to the AREF pin, the user may switch between  $AV_{CC}$  and 1.1V as reference selection. The first ADC conversion result after switching reference voltage source may be inaccurate, and the user is advised to discard this result.

## 25.6 ADC Noise Canceler

The ADC features a noise canceler that enables conversion during sleep mode to reduce noise induced from the CPU core and other I/O peripherals. The noise canceler can be used with ADC Noise Reduction and Idle mode. To make use of this feature, the following procedure should be used:

1. Make sure that the ADC is enabled and is not busy converting. Single Conversion mode must be selected and the ADC conversion complete interrupt must be enabled.
  - 1.1. Enter ADC Noise Reduction mode (or Idle mode). The ADC will start a conversion once the CPU has been halted.
  - 1.2. If no other interrupts occur before the ADC conversion completes, the ADC interrupt will wake up the CPU and execute the ADC Conversion Complete interrupt routine. If another interrupt wakes up the CPU before the ADC conversion is complete, that interrupt will be executed, and an ADC Conversion Complete interrupt request will be generated when the ADC conversion completes. The CPU will remain in active mode until a new sleep command is executed.

Note that the ADC will not be automatically turned off when entering other sleep modes than Idle mode and ADC Noise Reduction mode. The user is advised to write zero to ADEN before entering such sleep modes to avoid excessive power consumption.

### 25.6.1 Analog Input Circuitry

The analog input circuitry for single ended channels is illustrated in [Figure 25-8 on page 257](#). An analog source applied to ADCn is subjected to the pin capacitance and input leakage of that pin, regardless of whether that

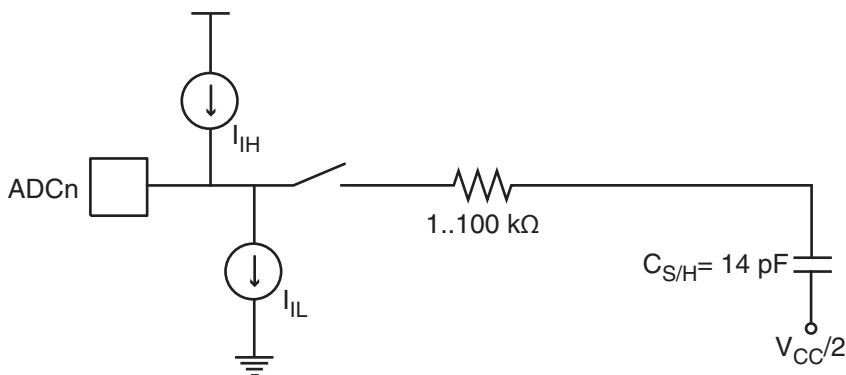


channel is selected as input for the ADC. When the channel is selected, the source must drive the S/H capacitor through the series resistance (combined resistance in the input path).

The ADC is optimized for analog signals with an output impedance of approximately 10kΩ or less. If such a source is used, the sampling time will be negligible. If a source with higher impedance is used, the sampling time will depend on how long time the source needs to charge the S/H capacitor, with can vary widely. The user is recommended to only use low impedance sources with slowly varying signals, since this minimizes the required charge transfer to the S/H capacitor.

Signal components higher than the Nyquist frequency ( $f_{ADC}/2$ ) should not be present for either kind of channels, to avoid distortion from unpredictable signal convolution. The user is advised to remove high frequency components with a low-pass filter before applying the signals as inputs to the ADC.

**Figure 25-8. Analog Input Circuitry**

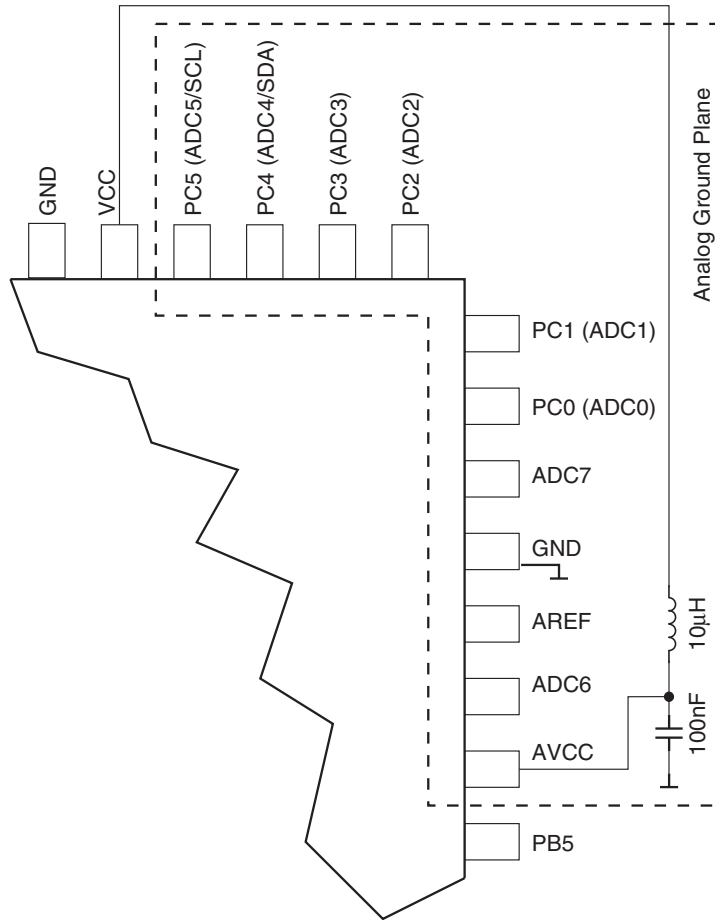


## 25.6.2 Analog Noise Canceling Techniques

Digital circuitry inside and outside the device generates EMI which might affect the accuracy of analog measurements. If conversion accuracy is critical, the noise level can be reduced by applying the following techniques:

1. Keep analog signal paths as short as possible. Make sure analog tracks run over the analog ground plane, and keep them well away from high-speed switching digital tracks.
  - 1.1. The  $AV_{CC}$  pin on the device should be connected to the digital  $V_{CC}$  supply voltage via an LC network as shown in [Figure 25-9 on page 258](#).
  - 1.2. Use the ADC noise canceler function to reduce induced noise from the CPU.
  - 1.3. If any ADC [3:0] port pins are used as digital outputs, it is essential that these do not switch while a conversion is in progress. However, using the 2-wire Interface (ADC4 and ADC5) will only affect the conversion on ADC4 and ADC5 and not the other ADC channels.

Figure 25-9. ADC Power Connections



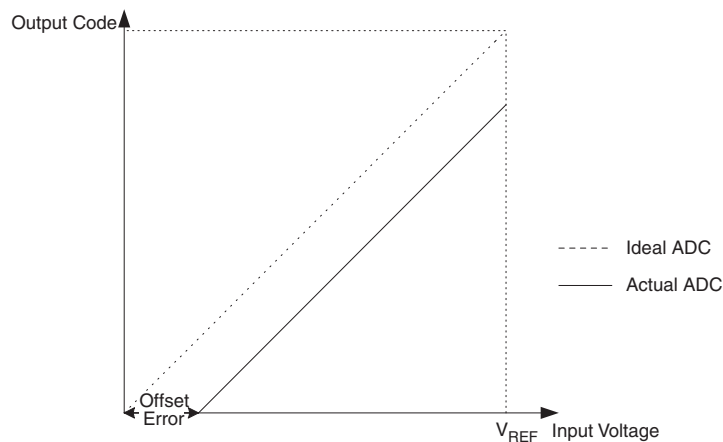
### 25.6.3 ADC Accuracy Definitions

An n-bit single-ended ADC converts a voltage linearly between GND and  $V_{REF}$  in  $2^n$  steps (LSBs). The lowest code is read as 0, and the highest code is read as  $2^n - 1$ .

Several parameters describe the deviation from the ideal behavior:

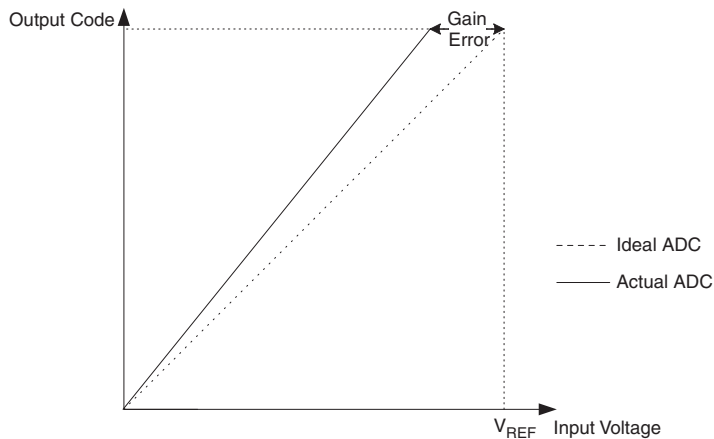
- Offset: The deviation of the first transition (0x000 to 0x001) compared to the ideal transition (at 0.5 LSB). Ideal value: 0 LSB.

Figure 25-10. Offset Error



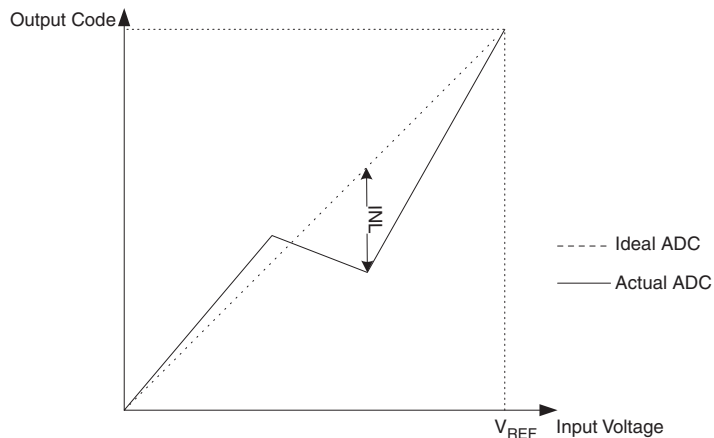
- Gain error: After adjusting for offset, the gain error is found as the deviation of the last transition (0x3FE to 0x3FF) compared to the ideal transition (at 1.5 LSB below maximum). Ideal value: 0 LSB.

**Figure 25-11. Gain Error**



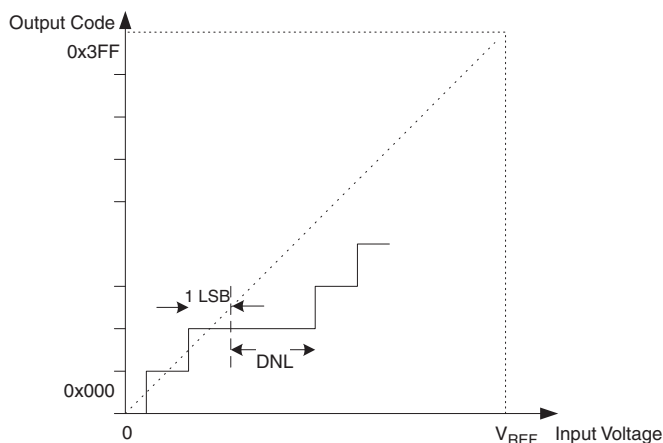
- Integral Non-linearity (INL): After adjusting for offset and gain error, the INL is the maximum deviation of an actual transition compared to an ideal transition for any code. Ideal value: 0 LSB.

**Figure 25-12. Integral Non-linearity (INL)**



- Differential Non-linearity (DNL): The maximum deviation of the actual code width (the interval between two adjacent transitions) from the ideal code width (1 LSB). Ideal value: 0 LSB.

**Figure 25-13. Differential Non-linearity (DNL)**



- **Quantization Error:** Due to the quantization of the input voltage into a finite number of codes, a range of input voltages (1 LSB wide) will code to the same value. Always  $\pm 0.5$  LSB.
- **Absolute accuracy:** The maximum deviation of an actual (unadjusted) transition compared to an ideal transition for any code. This is the compound effect of offset, gain error, differential error, non-linearity, and quantization error. Ideal value:  $\pm 0.5$  LSB.

## 25.7 ADC Conversion Result

After the conversion is complete (ADIF is high), the conversion result can be found in the ADC Result Registers (ADCL, ADCH).

For single ended conversion, the result is

$$ADC = \frac{V_{IN} \cdot 1024}{V_{REF}}$$

where  $V_{IN}$  is the voltage on the selected input pin and  $V_{REF}$  the selected voltage reference (see [Table 25-3 on page 262](#) and [Table 25-4 on page 263](#)). 0x000 represents analog ground, and 0x3FF represents the selected reference voltage minus one LSB.

## 25.8 Temperature Measurement

The temperature measurement is based on an on-chip temperature sensor that is coupled to a single ended ADC8 channel. Selecting the ADC8 channel by writing the MUX3...0 bits in ADMUX register to "1000" enables the temperature sensor. The internal 1.1V voltage reference must also be selected for the ADC voltage reference source in the temperature sensor measurement. When the temperature sensor is enabled, the ADC converter can be used in single conversion mode to measure the voltage over the temperature sensor.

The measured voltage has a linear relationship to the temperature as described in [Table 25-2](#). The voltage sensitivity is approximately 1 mV/°C and the accuracy of the temperature measurement is  $\pm 10^\circ\text{C}$ .

**Table 25-2. Temperature vs. Sensor Output Voltage (Typical Case)**

| Temperature / °C | -45°C | +25°C | +85°C |
|------------------|-------|-------|-------|
| Voltage / mV     | 198mV | 273mV | 338mV |

The values described in [Table 25-2](#) are typical values. However, due to the process variation the temperature sensor output voltage varies from one chip to another. To be capable of achieving more accurate results the temperature measurement can be calibrated in the application software. The software calibration requires that a

calibration value is measured and stored in a register or EEPROM for each chip, as a part of the production test. The software calibration can be done utilizing the formula:

$$T = \{[(ADCH \ll 8) | ADCL] - T_{OS}\} / k$$

where ADCn are the ADC data registers, k is a fixed coefficient and  $T_{OS}$  is the temperature sensor offset value determined and stored into EEPROM as a part of the production test.

## 25.9 Register Description

### 25.9.1 ADMUX – ADC Multiplexer Selection Register

|               |              |              |              |   |             |             |             |             |              |
|---------------|--------------|--------------|--------------|---|-------------|-------------|-------------|-------------|--------------|
| Bit           | 7            | 6            | 5            | 4 | 3           | 2           | 1           | 0           |              |
| (0x7C)        | <b>REFS1</b> | <b>REFS0</b> | <b>ADLAR</b> | – | <b>MUX3</b> | <b>MUX2</b> | <b>MUX1</b> | <b>MUX0</b> | <b>ADMUX</b> |
| Read/Write    | R/W          | R/W          | R/W          | R | R/W         | R/W         | R/W         | R/W         |              |
| Initial Value | 0            | 0            | 0            | 0 | 0           | 0           | 0           | 0           |              |

- **Bit 7:6 – REFS[1:0]: Reference Selection Bits**

These bits select the voltage reference for the ADC, as shown in [Table 25-3](#). If these bits are changed during a conversion, the change will not go in effect until this conversion is complete (ADIF in ADCSRA is set). The internal voltage reference options may not be used if an external reference voltage is being applied to the AREF pin.

**Table 25-3. Voltage Reference Selections for ADC**

| REFS1 | REFS0 | Voltage Reference Selection   |
|-------|-------|---|
| 0     | 0     | AREF, Internal $V_{ref}$ turned off                                 |
| 0     | 1     | $AV_{CC}$ with external capacitor at AREF pin                       |
| 1     | 0     | Reserved  |
| 1     | 1     | Internal 1.1V Voltage Reference with external capacitor at AREF pin |

- **Bit 5 – ADLAR: ADC Left Adjust Result**

The ADLAR bit affects the presentation of the ADC conversion result in the ADC Data Register. Write one to ADLAR to left adjust the result. Otherwise, the result is right adjusted. Changing the ADLAR bit will affect the ADC Data Register immediately, regardless of any ongoing conversions. For a complete description of this bit, see ["ADCL and ADCH – The ADC Data Register"](#) on page 264.

- **Bit 4 – Reserved**

This bit is an unused bit in the Microchip ATmega48PB/88PB/168PB, and will always read as zero.

- **Bits 3:0 – MUX[3:0]: Analog Channel Selection Bits**

The value of these bits selects which analog inputs are connected to the ADC. See [Table 25-4 on page 263](#) for details. If these bits are changed during a conversion, the change will not go in effect until this conversion is complete (ADIF in ADCSRA is set).

**Table 25-4. Input Channel Selections**

| MUX3...0 | Single Ended Input      |
|----------|-------------------------|
| 0000     | ADC0                    |
| 0001     | ADC1                    |
| 0010     | ADC2                    |
| 0011     | ADC3                    |
| 0100     | ADC4                    |
| 0101     | ADC5                    |
| 0110     | ADC6                    |
| 0111     | ADC7                    |
| 1000     | ADC8 <sup>(1)</sup>     |
| 1001     | (reserved)              |
| 1010     | (reserved)              |
| 1011     | (reserved)              |
| 1100     | (reserved)              |
| 1101     | (reserved)              |
| 1110     | 1.1V (V <sub>BG</sub> ) |
| 1111     | 0V (GND)                |

Note: 1. For Temperature Sensor.

## 25.9.2 ADCSRA – ADC Control and Status Register A

| Bit           | 7   | 6   | 5   | 4   | 3   | 2   | 1   | 0   |               |
|---------------|---|-----|-----|-----|-----|-----|-----|-----|---------------|
| (0x7A)        | <b>ADEN    ADSC    ADATE    ADIF    ADIE    ADPS2    ADPS1    ADPS0</b> |     |     |     |     |     |     |     | <b>ADCSRA</b> |
| Read/Write    | R/W   | R/W | R/W | R/W | R/W | R/W | R/W | R/W |               |
| Initial Value | 0   | 0   | 0   | 0   | 0   | 0   | 0   | 0   |               |

- **Bit 7 – ADEN: ADC Enable**

Writing this bit to one enables the ADC. By writing it to zero, the ADC is turned off. Turning the ADC off while a conversion is in progress, will terminate this conversion.

- **Bit 6 – ADSC: ADC Start Conversion**

In Single Conversion mode, write this bit to one to start each conversion. In Free Running mode, write this bit to one to start the first conversion. The first conversion after ADSC has been written after the ADC has been enabled, or if ADSC is written at the same time as the ADC is enabled, will take 25 ADC clock cycles instead of the normal 13. This first conversion performs initialization of the ADC.

ADSC will read as one as long as a conversion is in progress. When the conversion is complete, it returns to zero. Writing zero to this bit has no effect.

- **Bit 5 – ADATE: ADC Auto Trigger Enable**

When this bit is written to one, Auto Triggering of the ADC is enabled. The ADC will start a conversion on a positive edge of the selected trigger signal. The trigger source is selected by setting the ADC Trigger Select bits, ADTS in ADCSRB.

- **Bit 4 – ADIF: ADC Interrupt Flag**

This bit is set when an ADC conversion completes and the Data Registers are updated. The ADC Conversion Complete Interrupt is executed if the ADIE bit and the I-bit in SREG are set. ADIF is cleared by hardware when executing the corresponding interrupt handling vector. Alternatively, ADIF is cleared by writing a logical one to the flag. Beware that if doing a Read-Modify-Write on ADCSRA, a pending interrupt can be disabled. This also applies if the SBI and CBI instructions are used.

- **Bit 3 – ADIE: ADC Interrupt Enable**

When this bit is written to one and the I-bit in SREG is set, the ADC Conversion Complete Interrupt is activated.

- **Bits 2:0 – ADPS[2:0]: ADC Prescaler Select Bits**

These bits determine the division factor between the system clock frequency and the input clock to the ADC.

**Table 25-5. ADC Prescaler Selections**

| ADPS2 | ADPS1 | ADPS0 | Division Factor |
|-------|-------|-------|-----------------|
| 0     | 0     | 0     | 2               |
| 0     | 0     | 1     | 2               |
| 0     | 1     | 0     | 4               |
| 0     | 1     | 1     | 8               |
| 1     | 0     | 0     | 16              |
| 1     | 0     | 1     | 32              |
| 1     | 1     | 0     | 64              |
| 1     | 1     | 1     | 128             |

## 25.9.3 ADCL and ADCH – The ADC Data Register

### 25.9.3.1 ADLAR = 0

| Bit           | 15   | 14   | 13   | 12   | 11   | 10   | 9    | 8    |      |
|---------------|------|------|------|------|------|------|------|------|------|
| (0x79)        | –    | –    | –    | –    | –    | –    | ADC9 | ADC8 | ADCH |
| (0x78)        | ADC7 | ADC6 | ADC5 | ADC4 | ADC3 | ADC2 | ADC1 | ADC0 | ADCL |
| Read/Write    | R    | R    | R    | R    | R    | R    | R    | R    |      |
| Initial Value | 0    | 0    | 0    | 0    | 0    | 0    | 0    | 0    |      |
|               | 0    | 0    | 0    | 0    | 0    | 0    | 0    | 0    |      |

### 25.9.3.2 ADLAR = 1

| Bit           | 15   | 14   | 13   | 12   | 11   | 10   | 9    | 8    |      |
|---------------|------|------|------|------|------|------|------|------|------|
| (0x79)        | ADC9 | ADC8 | ADC7 | ADC6 | ADC5 | ADC4 | ADC3 | ADC2 | ADCH |
| (0x78)        | ADC1 | ADC0 | –    | –    | –    | –    | –    | –    | ADCL |
| Read/Write    | R    | R    | R    | R    | R    | R    | R    | R    |      |
| Initial Value | 0    | 0    | 0    | 0    | 0    | 0    | 0    | 0    |      |
|               | 0    | 0    | 0    | 0    | 0    | 0    | 0    | 0    |      |

When an ADC conversion is complete, the result is found in these two registers.



When ADCL is read, the ADC Data Register is not updated until ADCH is read. Consequently, if the result is left adjusted and no more than 8-bit precision is required, it is sufficient to read ADCH. Otherwise, ADCL must be read first, then ADCH.

The ADLAR bit in ADMUX, and the MUXn bits in ADMUX affect the way the result is read from the registers. If ADLAR is set, the result is left adjusted. If ADLAR is cleared (default), the result is right adjusted.

- **ADC9:0: ADC Conversion Result**

These bits represent the result from the conversion, as detailed in "ADC Conversion Result" on page 260.

## 25.9.4 ADCSRB – ADC Control and Status Register B

|               |   |      |   |   |   |       |       |       |                    |
|---------------|---|------|---|---|---|-------|-------|-------|--------------------|
| Bit           | 7 | 6    | 5 | 4 | 3 | 2     | 1     | 0     |                    |
| (0x7B)        | – | ACME | – | – | – | ADTS2 | ADTS1 | ADTS0 | ADCSR <sub>B</sub> |
| Read/Write    | R | R/W  | R | R | R | R/W   | R/W   | R/W   |                    |
| Initial Value | 0 | 0    | 0 | 0 | 0 | 0     | 0     | 0     |                    |

- **Bit 7, 5:3 – Reserved**

These bits are reserved for future use. To ensure compatibility with future devices, these bits must be written to zero when ADCSRB is written.

- **Bit 2:0 – ADTS[2:0]: ADC Auto Trigger Source**

If ADATE in ADCSRA is written to one, the value of these bits selects which source will trigger an ADC conversion. If ADATE is cleared, the ADTS[2:0] settings will have no effect. A conversion will be triggered by the rising edge of the selected Interrupt Flag. Note that switching from a trigger source that is cleared to a trigger source that is set, will generate a positive edge on the trigger signal. If ADEN in ADCSRA is set, this will start a conversion. Switching to Free Running mode (ADTS[2:0]=0) will not cause a trigger event, even if the ADC Interrupt Flag is set.

**Table 25-6. ADC Auto Trigger Source Selections**

| ADTS2 | ADTS1 | ADTS0 | Trigger Source                 |
|-------|-------|-------|--------------------------------|
| 0     | 0     | 0     | Free Running mode              |
| 0     | 0     | 1     | Analog Comparator              |
| 0     | 1     | 0     | External Interrupt Request 0   |
| 0     | 1     | 1     | Timer/Counter0 Compare Match A |
| 1     | 0     | 0     | Timer/Counter0 Overflow        |
| 1     | 0     | 1     | Timer/Counter1 Compare Match B |
| 1     | 1     | 0     | Timer/Counter1 Overflow        |
| 1     | 1     | 1     | Timer/Counter1 Capture Event   |

## 25.9.5 DIDR0 – Digital Input Disable Register 0

|               |       |       |       |       |       |       |       |       |                   |
|---------------|-------|-------|-------|-------|-------|-------|-------|-------|-------------------|
| Bit           | 7     | 6     | 5     | 4     | 3     | 2     | 1     | 0     |                   |
| (0x7E)        | ADC7D | ADC6D | ADC5D | ADC4D | ADC3D | ADC2D | ADC1D | ADC0D | DIDR <sub>0</sub> |
| Read/Write    | R/W   | R/W   | R/W   | R/W   | R/W   | R/W   | R/W   | R/W   |                   |
| Initial Value | 0     | 0     | 0     | 0     | 0     | 0     | 0     | 0     |                   |

- **Bit 7:0 – ADC7D...ADC0D: ADC7...0 Digital Input Disable**

When this bit is written logic one, the digital input buffer on the corresponding ADC pin is disabled. The corresponding PIN Register bit will always read as zero when this bit is set. When an analog signal is applied to the ADC7...0 pin and the digital input from this pin is not needed, this bit should be written logic one to reduce power consumption in the digital input buffer.

## 26. debugWIRE On-chip Debug System

### 26.1 Features

- Complete Program Flow Control
- Emulates All On-chip Functions, Both Digital and Analog, except RESET Pin
- Real-time Operation
- Symbolic Debugging Support (Both at C and Assembler Source Level, or for Other HLLs)
- Unlimited Number of Program Break Points (Using Software Break Points)
- Non-intrusive Operation
- Electrical Characteristics Identical to Real Device
- Automatic Configuration System
- High-speed Operation
- Programming of Non-volatile Memories

### 26.2 Overview

The debugWIRE On-chip debug system uses a One-wire, bi-directional interface to control the program flow, execute AVR instructions in the CPU and to program the different non-volatile memories.

### 26.3 Physical Interface

When the debugWIRE Enable (DWEN) Fuse is programmed and Lock bits are unprogrammed, the debugWIRE system within the target device is activated. The RESET port pin is configured as a wire-AND (open-drain) bi-directional I/O pin with pull-up enabled and becomes the communication gateway between target and emulator.

**Figure 26-1. The debugWIRE Setup**

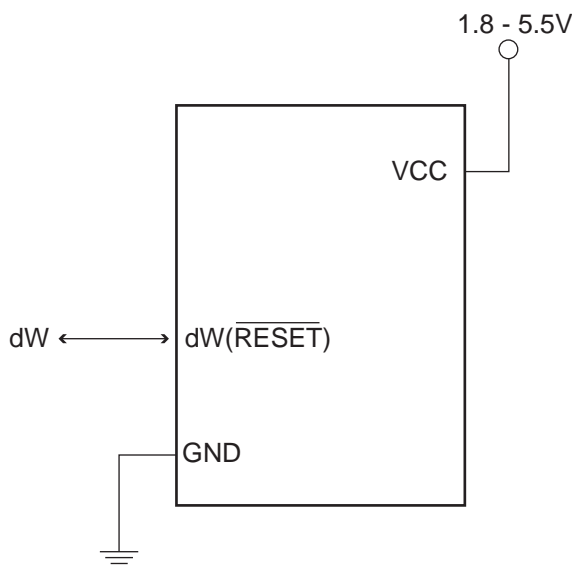


Figure 26-1 shows the schematic of a target MCU, with debugWIRE enabled, and the emulator connector. The system clock is not affected by debugWIRE and will always be the clock source selected by the CKSEL Fuses.

When designing a system where debugWIRE will be used, the following observations must be made for correct operation:

- Pull-up resistors on the dW/(RESET) line must not be smaller than 10kΩ. The pull-up resistor is not required for debugWIRE functionality
- Connecting the RESET pin directly to V<sub>CC</sub> will not work
- Capacitors connected to the RESET pin must be disconnected when using debugWire
- All external reset sources must be disconnected

## 26.4 Software Break Points

debugWIRE supports Program memory Break Points by the AVR Break instruction. Setting a Break Point in Atmel Studio will insert a BREAK instruction in the Program memory. The instruction replaced by the BREAK instruction will be stored. When program execution is continued, the stored instruction will be executed before continuing from the Program memory. A break can be inserted manually by putting the BREAK instruction in the program.

The Flash must be re-programmed each time a Break Point is changed. This is automatically handled by Atmel Studio through the debugWIRE interface. The use of Break Points will therefore reduce the Flash Data retention. Devices used for debugging purposes should not be shipped to end customers.

## 26.5 Limitations of debugWIRE

The debugWIRE communication pin (dW) is physically located on the same pin as External Reset (RESET). An External Reset source is therefore not supported when the debugWIRE is enabled.

A programmed DWEN Fuse enables some parts of the clock system to be running in all sleep modes. This will increase the power consumption while in sleep. Thus, the DWEN Fuse should be disabled when debugWire is not used.

## 26.6 Register Description

The following section describes the registers used with the debugWire.

### 26.6.1 DWDR – debugWire Data Register

| Bit           | 7                | 6   | 5   | 4   | 3   | 2   | 1   | 0   |             |
|---------------|------------------|-----|-----|-----|-----|-----|-----|-----|-------------|
|               | <b>DWDR[7:0]</b> |     |     |     |     |     |     |     | <b>DWDR</b> |
| Read/Write    | R/W              | R/W | R/W | R/W | R/W | R/W | R/W | R/W |             |
| Initial Value | 0                | 0   | 0   | 0   | 0   | 0   | 0   | 0   |             |

The DWDR Register provides a communication channel from the running program in the MCU to the debugger. This register is only accessible by the debugWIRE and can therefore not be used as a general purpose register in the normal operations.

## 27. Self-Programming the Flash, ATmega48PB

### 27.1 Overview

In ATmega48PB there is no Read-While-Write support, and no separate Boot Loader Section. The SPM instruction can be executed from the entire Flash.

The device provides a Self-Programming mechanism for downloading and uploading program code by the MCU itself. The Self-Programming can use any available data interface and associated protocol to read code and write (program) that code into the Program memory.

The Program memory is updated in a page by page fashion. Before programming a page with the data stored in the temporary page buffer, the page must be erased. The temporary page buffer is filled one word at a time using SPM and the buffer can be filled either before the Page Erase command or between a Page Erase and a Page Write operation:

#### Alternative 1, fill the buffer before a Page Erase

- Fill temporary page buffer
- Perform a Page Erase
- Perform a Page Write

#### Alternative 2, fill the buffer after Page Erase

- Perform a Page Erase
- Fill temporary page buffer
- Perform a Page Write

If only a part of the page needs to be changed, the rest of the page must be stored (for example in the temporary page buffer) before the erase, and then be re-written. When using alternative 1, the Boot Loader provides an effective Read-Modify-Write feature which allows the user software to first read the page, do the necessary changes, and then write back the modified data. If alternative 2 is used, it is not possible to read the old data while loading since the page is already erased. The temporary page buffer can be accessed in a random sequence. It is essential that the page address used in both the Page Erase and Page Write operation is addressing the same page.

#### 27.1.1 Performing Page Erase by SPM

To execute Page Erase, set up the address in the Z-pointer, write “00000011” to SPMCSR and execute SPM within four clock cycles after writing SPMCSR. The data in R1 and R0 is ignored. The page address must be written to PCPAGE in the Z-register. Other bits in the Z-pointer will be ignored during this operation.

- The CPU is halted during the Page Erase operation

Note: If an interrupt occurs in the time sequence the four cycle access cannot be ensured. In order to ensure atomic operation you should disable interrupts before writing to SPMCSR.

#### 27.1.2 Filling the Temporary Buffer (Page Loading)

To write an instruction word, set up the address in the Z-pointer and data in R1:R0, write “00000001” to SPMCSR and execute SPM within four clock cycles after writing SPMCSR. The content of PCWORD in the Z-register is used to address the data in the temporary buffer. The temporary buffer will auto-erase after a Page Write operation or by writing the RWWSRE bit in SPMCSR. It is also erased after a system reset. Note that it is not possible to write more than one time to each address without erasing the temporary buffer.

If the EEPROM is written in the middle of an SPM Page Load operation, all data loaded will be lost.

## 27.1.3 Performing a Page Write

To execute Page Write, set up the address in the Z-pointer, write “00000101” to SPMCSR and execute SPM within four clock cycles after writing SPMCSR. The data in R1 and R0 is ignored. The page address must be written to PCPAGE. Other bits in the Z-pointer must be written to zero during this operation.

- The CPU is halted during the Page Write operation

## 27.2 Addressing the Flash During Self-Programming

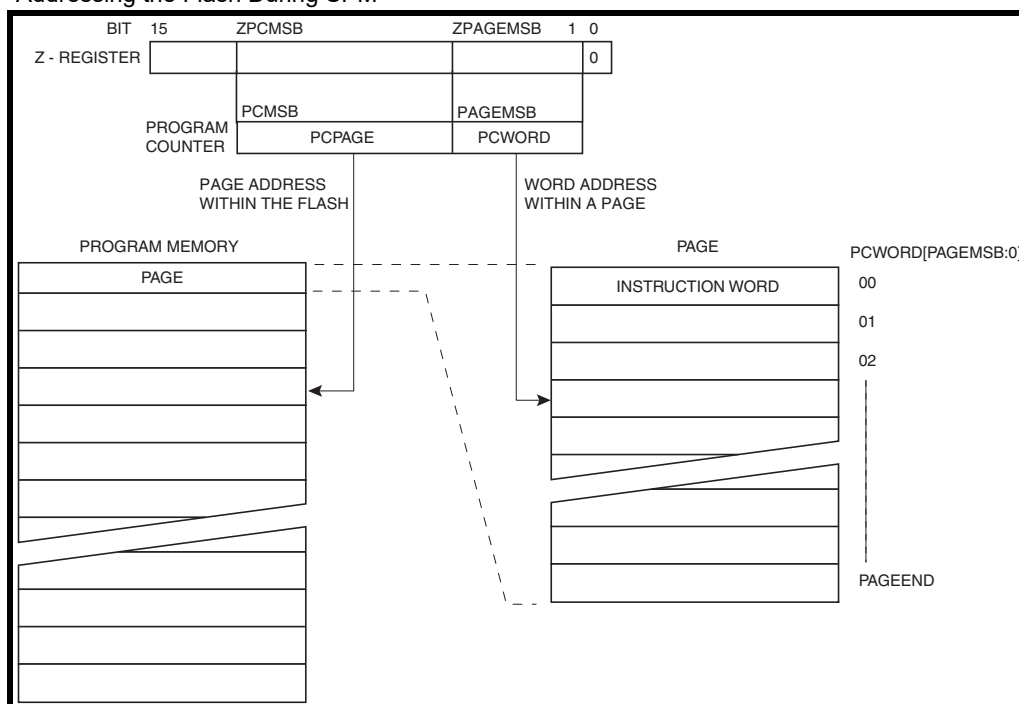
The Z-pointer is used to address the SPM commands.

|          |     |     |     |     |     |     |    |    |
|----------|-----|-----|-----|-----|-----|-----|----|----|
| Bit      | 15  | 14  | 13  | 12  | 11  | 10  | 9  | 8  |
| ZH (R31) | Z15 | Z14 | Z13 | Z12 | Z11 | Z10 | Z9 | Z8 |
| ZL (R30) | Z7  | Z6  | Z5  | Z4  | Z3  | Z2  | Z1 | Z0 |
|          | 7   | 6   | 5   | 4   | 3   | 2   | 1  | 0  |

Since the Flash is organized in pages (see [Table 29-9 on page 296](#)), the Program Counter can be treated as having two different sections. One section, consisting of the least significant bits, is addressing the words within a page, while the most significant bits are addressing the pages. This is shown in [Figure 28-3 on page 281](#). Note that the Page Erase and Page Write operations are addressed independently. Therefore it is of major importance that the software addresses the same page in both the Page Erase and Page Write operation.

The LPM instruction uses the Z-pointer to store the address. Since this instruction addresses the Flash byte-by-byte, also the LSB (bit Z0) of the Z-pointer is used.

**Figure 27-1.** Addressing the Flash During SPM<sup>(1)</sup>



Note: 1. The different variables used in [Figure 28-3 on page 281](#) are listed in [Table 29-9 on page 296](#).

### 27.2.1 EEPROM Write Prevents Writing to SPMCSR

Note that an EEPROM write operation will block all software programming to Flash. Reading the Fuses and Lock bits from software will also be prevented during the EEPROM write operation. It is recommended that the user checks the status bit (EEPE) in the EECR Register and verifies that the bit is cleared before writing to the SPMCSR Register.

## 27.2.2 Reading the Fuse and Lock Bits from Software

It is possible to read both the Fuse and Lock bits from software. To read the Lock bits, load the Z-pointer with 0x0001 and set the BLBSET and SPMEN bits in SPMCSR. When an LPM instruction is executed within three CPU cycles after the BLBSET and SPMEN bits are set in SPMCSR, the value of the Lock bits will be loaded in the destination register. The BLBSET and SPMEN bits will auto-clear upon completion of reading the Lock bits or if no LPM instruction is executed within three CPU cycles or no SPM instruction is executed within four CPU cycles. When BLBSET and SPMEN are cleared, LPM will work as described in the Instruction set Manual.

|     |   |   |   |   |   |   |     |     |
|-----|---|---|---|---|---|---|-----|-----|
| Bit | 7 | 6 | 5 | 4 | 3 | 2 | 1   | 0   |
| Rd  | - | - | - | - | - | - | LB2 | LB1 |

The algorithm for reading the Fuse Low byte is similar to the one described above for reading the Lock bits. To read the Fuse Low byte, load the Z-pointer with 0x0000 and set the BLBSET and SPMEN bits in SPMCSR. When an LPM instruction is executed within three cycles after the BLBSET and SPMEN bits are set in the SPMCSR, the value of the Fuse Low byte (FLB) will be loaded in the destination register as shown below. See [Table 29-5 on page 294](#) for a detailed description and mapping of the Fuse Low byte.

|     |      |      |      |      |      |      |      |      |
|-----|------|------|------|------|------|------|------|------|
| Bit | 7    | 6    | 5    | 4    | 3    | 2    | 1    | 0    |
| Rd  | FLB7 | FLB6 | FLB5 | FLB4 | FLB3 | FLB2 | FLB1 | FLB0 |

Similarly, when reading the Fuse High byte (FHB), load 0x0003 in the Z-pointer. When an LPM instruction is executed within three cycles after the BLBSET and SPMEN bits are set in the SPMCSR, the value of the Fuse High byte will be loaded in the destination register as shown below. See [Table 29-5 on page 294](#) for detailed description and mapping of the Extended Fuse byte.

|     |      |      |      |      |      |      |      |      |
|-----|------|------|------|------|------|------|------|------|
| Bit | 7    | 6    | 5    | 4    | 3    | 2    | 1    | 0    |
| Rd  | FHB7 | FHB6 | FHB5 | FHB4 | FHB3 | FHB2 | FHB1 | FHB0 |

Similarly, when reading the Extended Fuse byte (EFB), load 0x0002 in the Z-pointer. When an LPM instruction is executed within three cycles after the BLBSET and SPMEN bits are set in the SPMCSR, the value of the Extended Fuse byte will be loaded in the destination register as shown below. See [Table 29-5 on page 294](#) for detailed description and mapping of the Extended Fuse byte.

|     |      |      |      |      |      |      |      |      |
|-----|------|------|------|------|------|------|------|------|
| Bit | 7    | 6    | 5    | 4    | 3    | 2    | 1    | 0    |
| Rd  | FHB7 | FHB6 | FHB5 | FHB4 | FHB3 | FHB2 | FHB1 | FHB0 |

Fuse and Lock bits that are programmed, will be read as zero. Fuse and Lock bits that are unprogrammed, will be read as one.

## 27.2.3 Preventing Flash Corruption

During periods of low  $V_{CC}$ , the Flash program can be corrupted because the supply voltage is too low for the CPU and the Flash to operate properly. These issues are the same as for board level systems using the Flash, and the same design solutions should be applied.

A Flash program corruption can be caused by two situations when the voltage is too low. First, a regular write sequence to the Flash requires a minimum voltage to operate correctly. Secondly, the CPU itself can execute instructions incorrectly, if the supply voltage for executing instructions is too low.

Flash corruption can easily be avoided by following these design recommendations (one is sufficient):

1. Keep the AVR RESET active (low) during periods of insufficient power supply voltage. This can be done by enabling the internal Brown-out Detector (BOD) if the operating voltage matches the detection level. If not, an external low  $V_{CC}$  reset protection circuit can be used. If a reset occurs while a write operation is in progress, the write operation will be completed provided that the power supply voltage is sufficient.
2. Keep the AVR core in Power-down sleep mode during periods of low  $V_{CC}$ . This will prevent the CPU from attempting to decode and execute instructions, effectively protecting the SPMCSR Register and thus the Flash from unintentional writes.

## 27.2.4 Programming Time for Flash when Using SPM

The calibrated RC Oscillator is used to time Flash accesses. [Table 27-1](#) shows the typical programming time for Flash accesses from the CPU.

**Table 27-1. SPM Programming Time<sup>(1)</sup>**

| Symbol   | Min. Programming Time | Max Programming Time |
|--|-----------------------|----------------------|
| Flash write (Page Erase, Page Write, and write Lock bits by SPM) | 3.2ms                 | 3.4ms                |

Note: 1. Minimum and maximum programming time is per individual operation.

## 27.2.5 Simple Assembly Code Example for a Boot Loader

Note that the RWWSB bit will always be read as zero in Microchip ATmega48PB. Nevertheless, it is recommended to check this bit as shown in the code example, to ensure compatibility with devices supporting Read-While-Write.

```

;-the routine writes one page of data from RAM to Flash
; the first data location in RAM is pointed to by the Y pointer
; the first data location in Flash is pointed to by the Z-pointer
;-error handling is not included
;-the routine must be placed inside the Boot space
; (at least the Do_spm sub routine). Only code inside NRWW section can
; be read during Self-Programming (Page Erase and Page Write).
;-registers used: r0, r1, temp1 (r16), temp2 (r17), looplo (r24),
; loophi (r25), spmcrval (r20)
; storing and restoring of registers is not included in the routine
; register usage can be optimized at the expense of code size
;-It is assumed that either the interrupt table is moved to the Boot
; loader section or that the interrupts are disabled.
.equ          PAGESIZEB = PAGESIZE*2          ;PAGESIZEB is page size in
BYTES, not words
.org SMALLBOOTSTART
Write_page:
;      Page Erase
ldi          spmcrval, (1<<PGERS) | (1<<SPMEN)
rcall        Do_spm

;      re-enable the RWW section
ldi          spmcrval, (1<<RWWSRE) | (1<<SPMEN)
rcall        Do_spm

;      transfer data from RAM to Flash page buffer
ldi          looplo, low(PAGESIZEB)          ;init loop variable
ldi          loophi, high(PAGESIZEB)         ;not required for
PAGESIZEB<=256
Wrloop:
ld           r0, Y+
ld           r1, Y+
ldi          spmcrval, (1<<SPMEN)
rcall        Do_spm
adiw         ZH:ZL, 2
sbiw         loophi:looplo, 2                ;use subi for PAGESIZEB<=256
brne        Wrloop

;      execute Page Write
subi         ZL, low(PAGESIZEB)              ;restore pointer
sbci         ZH, high(PAGESIZEB)            ;not required for
PAGESIZEB<=256
ldi          spmcrval, (1<<PGWRT) | (1<<SPMEN)
rcall        Do_spm

;      re-enable the RWW section
ldi          spmcrval, (1<<RWWSRE) | (1<<SPMEN)
rcall        Do_spm

```



```

; read back and check, optional
ldi          looplo, low(PAGESIZEB) ;init loop variable
ldi          loophi, high(PAGESIZEB) ;not required for
PAGESIZEB<=256
subi        YL, low(PAGESIZEB)      ;restore pointer
sbci        YH, high(PAGESIZEB)
Rdloop:
lpm         r0, Z+
ld         r1, Y+
cpse       r0, r1
rjmp      Error
sbic       loophi:looplo, 1          ;use sbic for PAGESIZEB<=256
brne      Rdloop

; return to RWW section
; verify that RWW section is safe to read
Return:
in         temp1, SPMCSR
sbrs      temp1, RWWSB              ; If RWWSB is set, the RWW
section is not ready yet
ret
; re-enable the RWW section
ldi       spmcrrval, (1<<RWWSRE) | (1<<SPMEN)
rcall    Do_spm
rjmp     Return

Do_spm:
; check for previous SPM complete
Wait_spm:
in         temp1, SPMCSR
sbrs      temp1, SPMEN
rjmp     Wait_spm
; input: spmcrrval determines SPM action
; disable interrupts if enabled, store status
in         temp2, SREG
cli
; check that no EEPROM write access is present
Wait_ee:
sbic      EECR, EEPE
rjmp     Wait_ee
; SPM timed sequence
out       SPMCSR, spmcrrval
spm
; restore SREG (to enable interrupts if originally enabled)
out       SREG, temp2
ret

```

## 27.3 Register Description

### 27.3.1 SPMCSR – Store Program Memory Control and Status Register

The Store Program Memory Control and Status Register contains the control bits needed to control the Program memory operations.

| Bit           | 7             | 6 | 5   | 4   | 3   | 2   | 1   | 0   |        |
|---------------|---------------|---|-----|-----|-----|-----|-----|-----|--------|
| 0x37 (0x57)   | <b>SPMCSR</b> |   |     |     |     |     |     |     | SPMCSR |
| Read/Write    | R/W           | R | R/W | R/W | R/W | R/W | R/W | R/W |        |
| Initial Value | 0             | 0 | 0   | 0   | 0   | 0   | 0   | 0   |        |

- **Bit 7 – SPMIE: SPM Interrupt Enable**

When the SPMIE bit is written to one, and the I-bit in the Status Register is set (one), the SPM ready interrupt will be enabled. The SPM ready Interrupt will be executed as long as the SPMEN bit in the SPMCSR Register is cleared. The interrupt will not be generated during EEPROM write or SPM.

- **Bit 6 – RWWSB: Read-While-Write Section Busy**

This bit is for compatibility with devices supporting Read-While-Write. It will always read as zero in ATmega48PB.

- **Bit 5 – SIGRD: Signature Row Read**

If this bit is written to one at the same time as SPMEN, the next LPM instruction within three clock cycles will read a byte from the signature row into the destination register. see "[Reading the Signature Row from Software](#)" on [page 284](#) for details. An SPM instruction within four cycles after SIGRD and SPMEN are set will have no effect. This operation is reserved for future use and should not be used.

- **Bit 4 – RWWSRE: Read-While-Write Section Read Enable**

The functionality of this bit in ATmega48PB is a subset of the functionality in ATmega48PB/88PB/168PB. If the RWWSRE bit is written while filling the temporary page buffer, the temporary page buffer will be cleared and the data will be lost.

- **Bit 3 – BLBSET: Boot Lock Bit Set**

The functionality of this bit in ATmega48PB is a subset of the functionality in ATmega48PB/88PB/168PB. An LPM instruction within three cycles after BLBSET and SPMEN are set in the SPMCSR Register, will read either the Lock bits or the Fuse bits (depending on Z0 in the Z-pointer) into the destination register. See "[Reading the Fuse and Lock Bits from Software](#)" on [page 270](#) for details.

- **Bit 2 – PGWRT: Page Write**

If this bit is written to one at the same time as SPMEN, the next SPM instruction within four clock cycles executes Page Write, with the data stored in the temporary buffer. The page address is taken from the high part of the Z-pointer. The data in R1 and R0 are ignored. The PGWRT bit will auto-clear upon completion of a Page Write, or if no SPM instruction is executed within four clock cycles. The CPU is halted during the entire Page Write operation.

- **Bit 1 – PGERS: Page Erase**

If this bit is written to one at the same time as SPMEN, the next SPM instruction within four clock cycles executes Page Erase. The page address is taken from the high part of the Z-pointer. The data in R1 and R0 are ignored. The PGERS bit will auto-clear upon completion of a Page Erase, or if no SPM instruction is executed within four clock cycles. The CPU is halted during the entire Page Write operation.

- **Bit 0 – SP MEN: Store Program Memory**

This bit enables the SPM instruction for the next four clock cycles. If written to one together with either RWWSRE, BLBSET, PGWRT, or PGERS, the following SPM instruction will have a special meaning, see description above. If only SP MEN is written, the following SPM instruction will store the value in R1:R0 in the temporary page buffer addressed by the Z-pointer. The LSB of the Z-pointer is ignored. The SP MEN bit will auto-clear upon completion of an SPM instruction, or if no SPM instruction is executed within four clock cycles. During Page Erase and Page Write, the SP MEN bit remains high until the operation is completed.

Writing any other combination than “10001”, “01001”, “00101”, “00011” or “00001” in the lower five bits will have no effect.

## 28. Boot Loader Support – Read-While-Write Self-Programming

The Boot Loader Support applies to Microchip ATmega48PB/88PB/168PB

### 28.1 Features

- Read-While-Write Self-Programming
- Flexible Boot Memory Size
- High Security (Separate Boot Lock Bits for a Flexible Protection)
- Separate Fuse to Select Reset Vector
- Optimized Page<sup>(1)</sup> Size
- Code Efficient Algorithm
- Efficient Read-Modify-Write Support

Note: 1. A page is a section in the Flash consisting of several bytes (see [Table 29-9 on page 296](#)) used during programming. The page organization does not affect normal operation.

### 28.2 Overview

In ATmega48PB/88PB/168PB the Boot Loader Support provides a real Read-While-Write Self-Programming mechanism for downloading and uploading program code by the MCU itself. This feature allows flexible application software updates controlled by the MCU using a Flash-resident Boot Loader program. The Boot Loader program can use any available data interface and associated protocol to read code and write (program) that code into the Flash memory, or read the code from the program memory. The program code within the Boot Loader section has the capability to write into the entire Flash, including the Boot Loader memory. The Boot Loader can thus even modify itself, and it can also erase itself from the code if the feature is not needed anymore. The size of the Boot Loader memory is configurable with fuses and the Boot Loader has two separate sets of Boot Lock bits which can be set independently. This gives the user a unique flexibility to select different levels of protection.

### 28.3 Application and Boot Loader Flash Sections

The Flash memory is organized in two main sections, the Application section and the Boot Loader section (see [Figure 28-2 on page 279](#)). The size of the different sections is configured by the BOOTSZ Fuses as shown in [Table 28-7 on page 288](#) and [Figure 28-2 on page 279](#). These two sections can have different level of protection since they have different sets of Lock bits.

#### 28.3.1 Application Section

The Application section is the section of the Flash that is used for storing the application code. The protection level for the Application section can be selected by the application Boot Lock bits (Boot Lock bits 0), see [Table 28-2 on page 280](#). The Application section can never store any Boot Loader code since the SPM instruction is disabled when executed from the Application section.

#### 28.3.2 BLS – Boot Loader Section

While the Application section is used for storing the application code, the The Boot Loader software must be located in the BLS since the SPM instruction can initiate a programming when executing from the BLS only. The SPM instruction can access the entire Flash, including the BLS itself. The protection level for the Boot Loader section can be selected by the Boot Loader Lock bits (Boot Lock bits 1), see [Table 28-3 on page 280](#).

## 28.4 Read-While-Write and No Read-While-Write Flash Sections

Whether the CPU supports Read-While-Write or if the CPU is halted during a Boot Loader software update is dependent on which address that is being programmed. In addition to the two sections that are configurable by the BOOTSZ Fuses as described above, the Flash is also divided into two fixed sections, the Read-While-Write (RWW) section and the No Read-While-Write (NRWW) section. The limit between the RWW- and NRWW sections is given in [Table 28-8 on page 288](#) and [Figure 28-2 on page 279](#). The main difference between the two sections is:

- When erasing or writing a page located inside the RWW section, the NRWW section can be read during the operation
- When erasing or writing a page located inside the NRWW section, the CPU is halted during the entire operation

Note that the user software can never read any code that is located inside the RWW section during a Boot Loader software operation. The syntax “Read-While-Write section” refers to which section that is being programmed (erased or written), not which section that actually is being read during a Boot Loader software update.

### 28.4.1 RWW – Read-While-Write Section

If a Boot Loader software update is programming a page inside the RWW section, it is possible to read code from the Flash, but only code that is located in the NRWW section. During an on-going programming, the software must ensure that the RWW section never is being read. If the user software is trying to read code that is located inside the RWW section (i.e., by a call/jmp/lpm or an interrupt) during programming, the software might end up in an unknown state. To avoid this, the interrupts should either be disabled or moved to the Boot Loader section. The Boot Loader section is always located in the NRWW section. The RWW Section Busy bit (RWWSB) in the Store Program Memory Control and Status Register (SPMCSR) will be read as logical one as long as the RWW section is blocked for reading. After a programming is completed, the RWWSB must be cleared by software before reading code located in the RWW section. [See Section “28.9.1” on page 290](#) for details on how to clear RWWSB.

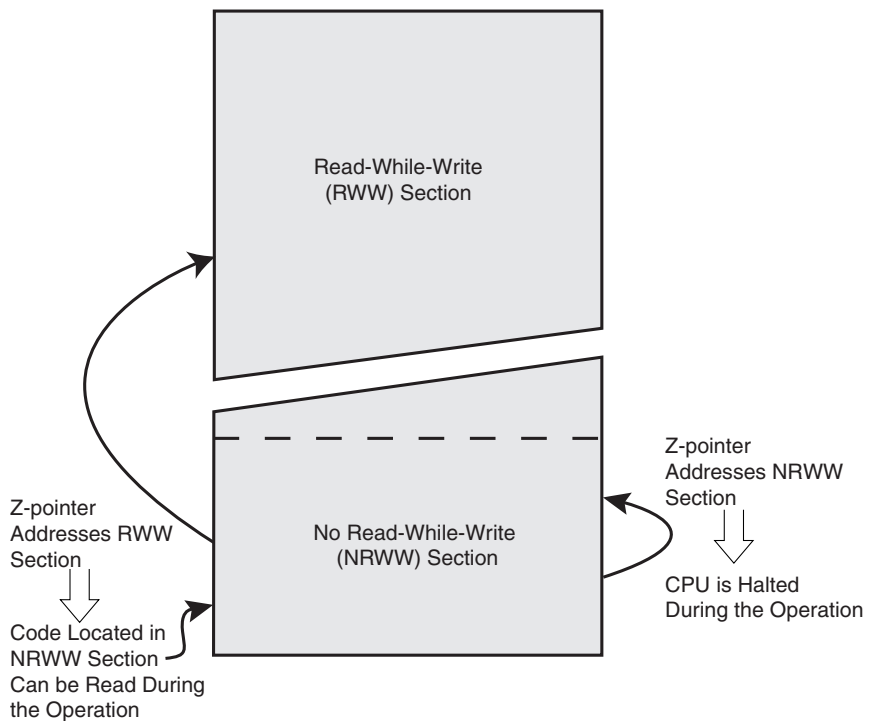
### 28.4.2 NRWW – No Read-While-Write Section

The code located in the NRWW section can be read when the Boot Loader software is updating a page in the RWW section. When the Boot Loader code updates the NRWW section, the CPU is halted during the entire Page Erase or Page Write operation.

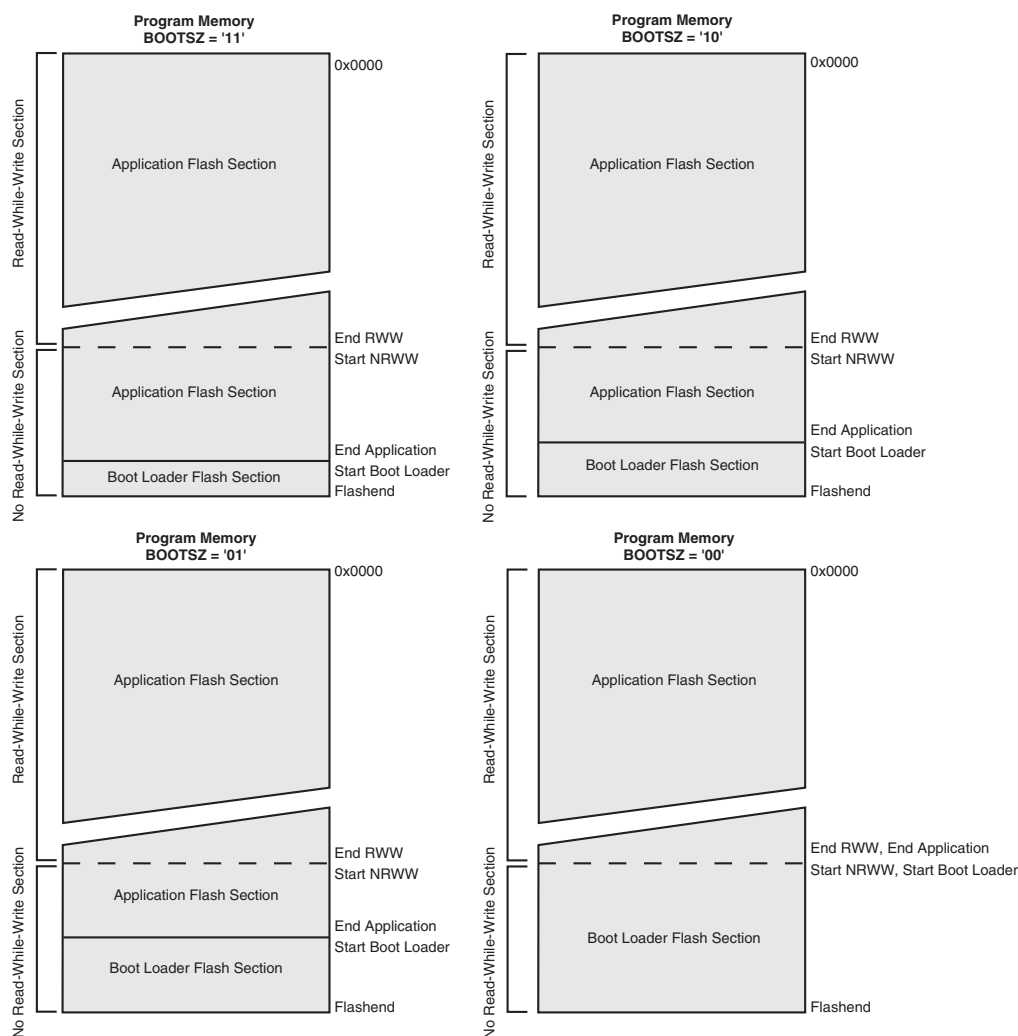
**Table 28-1. Read-While-Write Features**

| Which Section does the Z-pointer Address during the Programming? | Which Section can be read during Programming? | CPU Halted? | Read-While-Write Supported? |
|--|---|-------------|-----------------------------|
| RWW Section  | NRWW Section                                  | No          | Yes                         |
| NRWW Section   | None  | Yes         | No                          |

Figure 28-1. Read-While-Write vs. No Read-While-Write



**Figure 28-2. Memory Sections**



Note: 1. The parameters in the figure above are given in [Table 28-7 on page 288](#).

## 28.5 Boot Loader Lock Bits

If no Boot Loader capability is needed, the entire Flash is available for application code. The Boot Loader has two separate sets of Boot Lock bits which can be set independently. This gives the user a unique flexibility to select different levels of protection.

The user can select:

- To protect the entire Flash from a software update by the MCU
- To protect only the Boot Loader Flash section from a software update by the MCU
- To protect only the Application Flash section from a software update by the MCU
- Allow software update in the entire Flash

See [Table 28-2 on page 280](#) and [Table 28-3 on page 280](#) for further details. The Boot Lock bits can be set in software and in Serial or Parallel Programming mode, but they can be cleared by a Chip Erase command only. The general Write Lock (Lock Bit mode 2) does not control the programming of the Flash memory by SPM instruction. Similarly, the general Read/Write Lock (Lock Bit mode 1) does not control reading nor writing by LPM/SPM, if it is attempted.

**Table 28-2. Boot Lock Bit0 Protection Modes (Application Section)<sup>(1)</sup>**

| BLB0 Mode | BLB02 | BLB01 | Protection  |
|-----------|-------|-------|---|
| 1         | 1     | 1     | No restrictions for SPM or LPM accessing the Application section.   |
| 2         | 1     | 0     | SPM is not allowed to write to the Application section.   |
| 3         | 0     | 0     | SPM is not allowed to write to the Application section, and LPM executing from the Boot Loader section is not allowed to read from the Application section. If Interrupt Vectors are placed in the Boot Loader section, interrupts are disabled while executing from the Application section. |
| 4         | 0     | 1     | LPM executing from the Boot Loader section is not allowed to read from the Application section. If Interrupt Vectors are placed in the Boot Loader section, interrupts are disabled while executing from the Application section.   |

Note: 1. “1” means unprogrammed, “0” means programmed.

**Table 28-3. Boot Lock Bit1 Protection Modes (Boot Loader Section)<sup>(1)</sup>**

| BLB1 Mode | BLB12 | BLB11 | Protection  |
|-----------|-------|-------|---|
| 1         | 1     | 1     | No restrictions for SPM or LPM accessing the Boot Loader section.   |
| 2         | 1     | 0     | SPM is not allowed to write to the Boot Loader section.   |
| 3         | 0     | 0     | SPM is not allowed to write to the Boot Loader section, and LPM executing from the Application section is not allowed to read from the Boot Loader section. If Interrupt Vectors are placed in the Application section, interrupts are disabled while executing from the Boot Loader section. |
| 4         | 0     | 1     | LPM executing from the Application section is not allowed to read from the Boot Loader section. If Interrupt Vectors are placed in the Application section, interrupts are disabled while executing from the Boot Loader section.   |

Note: 1. “1” means unprogrammed, “0” means programmed

## 28.6 Entering the Boot Loader Program

Entering the Boot Loader takes place by a jump or call from the application program. This may be initiated by a trigger such as a command received via USART, or SPI interface. Alternatively, the Boot Reset Fuse can be programmed so that the Reset Vector is pointing to the Boot Flash start address after a reset. In this case, the Boot Loader is started after a reset. After the application code is loaded, the program can start executing the application code. Note that the fuses cannot be changed by the MCU itself. This means that once the Boot Reset Fuse is programmed, the Reset Vector will always point to the Boot Loader Reset and the fuse can only be changed through the serial or parallel programming interface.

**Table 28-4. Boot Reset Fuse<sup>(1)</sup>**

| BOOTRST | Reset Address  |
|---------|--|
| 1       | Reset Vector = Application Reset (address 0x0000)                              |
| 0       | Reset Vector = Boot Loader Reset (see <a href="#">Table 28-7 on page 288</a> ) |

Note: 1. “1” means unprogrammed, “0” means programmed



## 28.7 Addressing the Flash During Self-Programming

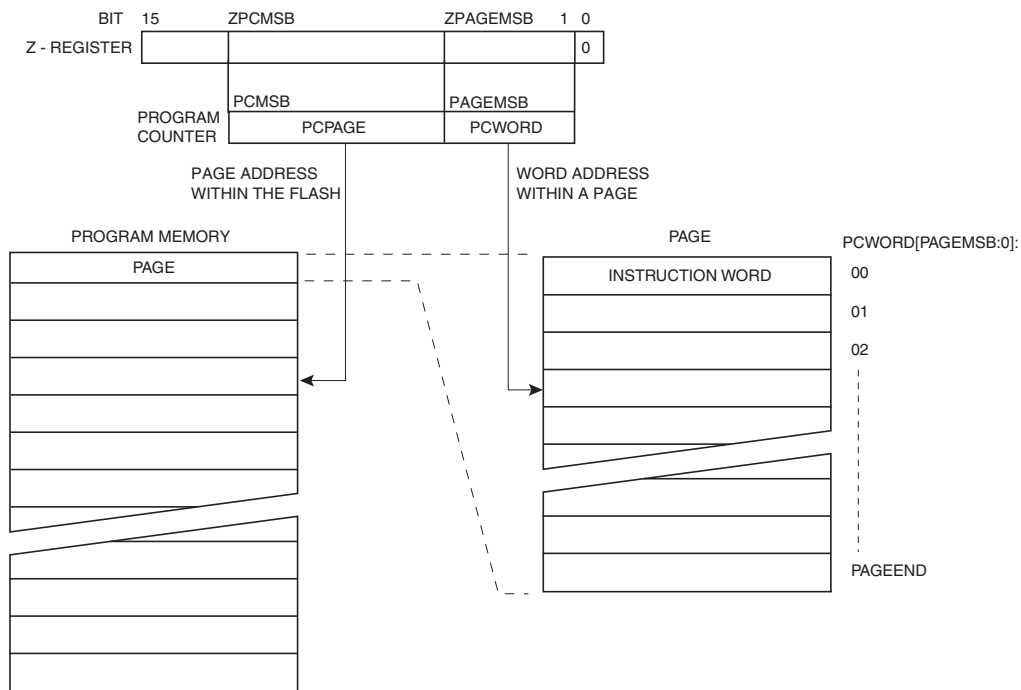
The Z-pointer is used to address the SPM commands.

|          |     |     |     |     |     |     |    |    |
|----------|-----|-----|-----|-----|-----|-----|----|----|
| Bit      | 15  | 14  | 13  | 12  | 11  | 10  | 9  | 8  |
| ZH (R31) | Z15 | Z14 | Z13 | Z12 | Z11 | Z10 | Z9 | Z8 |
| ZL (R30) | Z7  | Z6  | Z5  | Z4  | Z3  | Z2  | Z1 | Z0 |
|          | 7   | 6   | 5   | 4   | 3   | 2   | 1  | 0  |

Since the Flash is organized in pages (see [Table 29-9 on page 296](#)), the Program Counter can be treated as having two different sections. One section, consisting of the least significant bits, is addressing the words within a page, while the most significant bits are addressing the pages. This is shown in [Figure 28-3](#). Note that the Page Erase and Page Write operations are addressed independently. Therefore it is of major importance that the Boot Loader software addresses the same page in both the Page Erase and Page Write operation. Once a programming operation is initiated, the address is latched and the Z-pointer can be used for other operations.

The only SPM operation that does not use the Z-pointer is Setting the Boot Loader Lock bits. The content of the Z-pointer is ignored and will have no effect on the operation. The LPM instruction does also use the Z-pointer to store the address. Since this instruction addresses the Flash byte-by-byte, also the LSB (bit Z0) of the Z-pointer is used.

**Figure 28-3. Addressing the Flash During SPM<sup>(1)</sup>**



Note: 1. The different variables used in [Figure 28-3](#) are listed in [Table 28-9 on page 288](#).

## 28.8 Self-Programming the Flash

The program memory is updated in a page by page fashion. Before programming a page with the data stored in the temporary page buffer, the page must be erased. The temporary page buffer is filled one word at a time using SPM and the buffer can be filled either before the Page Erase command or between a Page Erase and a Page Write operation:

### Alternative 1, fill the buffer before a Page Erase

- Fill temporary page buffer
- Perform a Page Erase
- Perform a Page Write

### Alternative 2, fill the buffer after Page Erase

- Perform a Page Erase
- Fill temporary page buffer
- Perform a Page Write

If only a part of the page needs to be changed, the rest of the page must be stored (for example in the temporary page buffer) before the erase, and then be rewritten. When using alternative 1, the Boot Loader provides an effective Read-Modify-Write feature which allows the user software to first read the page, do the necessary changes, and then write back the modified data. If alternative 2 is used, it is not possible to read the old data while loading since the page is already erased. The temporary page buffer can be accessed in a random sequence. It is essential that the page address used in both the Page Erase and Page Write operation is addressing the same page. See "[Simple Assembly Code Example for a Boot Loader](#)" on page 285 for an assembly code example.

### 28.8.1 Performing Page Erase by SPM

To execute Page Erase, set up the address in the Z-pointer, write "X0000011" to SPMCSR and execute SPM within four clock cycles after writing SPMCSR. The data in R1 and R0 is ignored. The page address must be written to PCPAGE in the Z-register. Other bits in the Z-pointer will be ignored during this operation.

- Page Erase to the RWW section: The NRWW section can be read during the Page Erase
- Page Erase to the NRWW section: The CPU is halted during the operation

### 28.8.2 Filling the Temporary Buffer (Page Loading)

To write an instruction word, set up the address in the Z-pointer and data in R1:R0, write "00000001" to SPMCSR and execute SPM within four clock cycles after writing SPMCSR. The content of PCWORD in the Z-register is used to address the data in the temporary buffer. The temporary buffer will auto-erase after a Page Write operation or by writing the RWWSRE bit in SPMCSR. It is also erased after a system reset. Note that it is not possible to write more than one time to each address without erasing the temporary buffer.

If the EEPROM is written in the middle of an SPM Page Load operation, all data loaded will be lost.

### 28.8.3 Performing a Page Write

To execute Page Write, set up the address in the Z-pointer, write "X0000101" to SPMCSR and execute SPM within four clock cycles after writing SPMCSR. The data in R1 and R0 is ignored. The page address must be written to PCPAGE. Other bits in the Z-pointer must be written to zero during this operation.

- Page Write to the RWW section: The NRWW section can be read during the Page Write
- Page Write to the NRWW section: The CPU is halted during the operation

## 28.8.4 Using the SPM Interrupt

If the SPM interrupt is enabled, the SPM interrupt will generate a constant interrupt when the SPMEN bit in SPMCSR is cleared. This means that the interrupt can be used instead of polling the SPMCSR Register in software. When using the SPM interrupt, the Interrupt Vectors should be moved to the BLS section to avoid that an interrupt is accessing the RWW section when it is blocked for reading. How to move the interrupts is described in ["Interrupts" on page 65](#).

## 28.8.5 Consideration While Updating BLS

Special care must be taken if the user allows the Boot Loader section to be updated by leaving Boot Lock bit11 unprogrammed. An accidental write to the Boot Loader itself can corrupt the entire Boot Loader, and further software updates might be impossible. If it is not necessary to change the Boot Loader software itself, it is recommended to program the Boot Lock bit11 to protect the Boot Loader software from any internal software changes.

## 28.8.6 Prevent Reading the RWW Section During Self-Programming

During Self-Programming (either Page Erase or Page Write), the RWW section is always blocked for reading. The user software itself must prevent that this section is addressed during the self programming operation. The RWWSB in the SPMCSR will be set as long as the RWW section is busy. During Self-Programming the Interrupt Vector table should be moved to the BLS as described in ["Watchdog Timer" on page 59](#), or the interrupts must be disabled. Before addressing the RWW section after the programming is completed, the user software must clear the RWWSB by writing the RWWSRE. See [" Simple Assembly Code Example for a Boot Loader" on page 285](#) for an example.

## 28.8.7 Setting the Boot Loader Lock Bits by SPM

To set the Boot Loader Lock bits and general Lock Bits, write the desired data to R0, write "X0001001" to SPMCSR and execute SPM within four clock cycles after writing SPMCSR.

| Bit | 7 | 6 | 5     | 4     | 3     | 2     | 1   | 0   |
|-----|---|---|-------|-------|-------|-------|-----|-----|
| R0  | 1 | 1 | BLB12 | BLB11 | BLB02 | BLB01 | LB2 | LB1 |

See [Table 28-2 on page 280](#) and [Table 28-3 on page 280](#) for how the different settings of the Boot Loader bits affect the Flash access.

If bits 5...0 in R0 are cleared (zero), the corresponding Lock bit will be programmed if an SPM instruction is executed within four cycles after BLBSET and SPMEN are set in SPMCSR. The Z-pointer is don't care during this operation, but for future compatibility it is recommended to load the Z-pointer with 0x0001 (same as used for reading the IO<sub>ck</sub> bits). For future compatibility it is also recommended to set bits 7 and 6 in R0 to "1" when writing the Lock bits. When programming the Lock bits the entire Flash can be read during the operation.

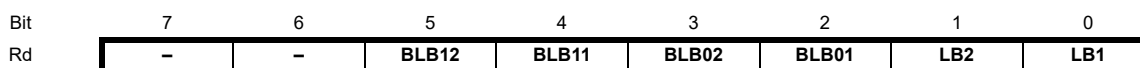
## 28.8.8 EEPROM Write Prevents Writing to SPMCSR

Note that an EEPROM write operation will block all software programming to Flash. Reading the Fuses and Lock bits from software will also be prevented during the EEPROM write operation. It is recommended that the user checks the status bit (EEPE) in the EECR Register and verifies that the bit is cleared before writing to the SPMCSR Register.

## 28.8.9 Reading the Fuse and Lock Bits from Software

It is possible to read both the Fuse and Lock bits from software. To read the Lock bits, load the Z-pointer with 0x0001 and set the BLBSET and SPMEN bits in SPMCSR. When an LPM instruction is executed within three CPU cycles after the BLBSET and SPMEN bits are set in SPMCSR, the value of the Lock bits will be loaded in the destination register. The BLBSET and SPMEN bits will auto-clear upon completion of reading the Lock bits or if no

LPM instruction is executed within three CPU cycles or no SPM instruction is executed within four CPU cycles. When BLBSET and SPEN are cleared, LPM will work as described in the Instruction set Manual.



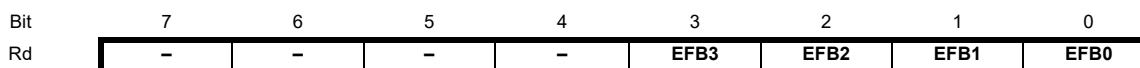
The algorithm for reading the Fuse Low byte is similar to the one described above for reading the Lock bits. To read the Fuse Low byte, load the Z-pointer with 0x0000 and set the BLBSET and SPEN bits in SPMCSR. When an LPM instruction is executed within three cycles after the BLBSET and SPEN bits are set in the SPMCSR, the value of the Fuse Low byte (FLB) will be loaded in the destination register as shown below. Refer to [Table 29-5 on page 294](#) for a detailed description and mapping of the Fuse Low byte.



Similarly, when reading the Fuse High byte, load 0x0003 in the Z-pointer. When an LPM instruction is executed within three cycles after the BLBSET and SPEN bits are set in the SPMCSR, the value of the Fuse High byte (FHB) will be loaded in the destination register as shown below. Refer to [Table 29-6 on page 294](#) for detailed description and mapping of the Fuse High byte.



When reading the Extended Fuse byte, load 0x0002 in the Z-pointer. When an LPM instruction is executed within three cycles after the BLBSET and SPEN bits are set in the SPMCSR, the value of the Extended Fuse byte (EFB) will be loaded in the destination register as shown below. Refer to [Table 29-5 on page 294](#) for detailed description and mapping of the Extended Fuse byte.



Fuse and Lock bits that are programmed, will be read as zero. Fuse and Lock bits that are unprogrammed, will be read as one.

### 28.8.10 Reading the Signature Row from Software

To read the Signature Row from software, load the Z-pointer with the signature byte address given in the table below and set the SIGRD and SPEN bits in SPMCSR. When an LPM instruction is executed within three CPU cycles after the SIGRD and SPEN bits are set in SPMCSR, the signature byte value will be loaded in the destination register. The SIGRD and SPEN bits will auto-clear upon completion of reading the Signature Row or if no LPM instruction is executed within three CPU cycles. When SIGRD and SPEN are cleared, LPM will work as described in the Instruction set Manual.

**Table 28-5. Signature row addressing**

| Signature byte                 | Z-pointer address |
|--------------------------------|-------------------|
| Device Signature Byte 1        | 0x0000            |
| Device Signature Byte 2        | 0x0002            |
| Device Signature Byte 3        | 0x0004            |
| RC Oscillator Calibration Byte | 0x0001            |
| Serial Number Byte 1           | 0x000E            |
| Serial Number Byte 0           | 0x000F            |
| Serial Number Byte 3           | 0x0010            |
| Serial Number Byte 2           | 0x0011            |

**Table 28-5. Signature row addressing**

| Signature byte       | Z-pointer address |
|----------------------|-------------------|
| Serial Number Byte 5 | 0x0012            |
| Serial Number Byte 4 | 0x0013            |
| Serial Number Byte 6 | 0x0015            |
| Serial Number Byte 7 | 0x0016            |
| Serial Number Byte 8 | 0x0017            |

## 28.8.11 Preventing Flash Corruption

During periods of low  $V_{CC}$ , the Flash program can be corrupted because the supply voltage is too low for the CPU and the Flash to operate properly. These issues are the same as for board level systems using the Flash, and the same design solutions should be applied.

A Flash program corruption can be caused by two situations when the voltage is too low. First, a regular write sequence to the Flash requires a minimum voltage to operate correctly. Secondly, the CPU itself can execute instructions incorrectly, if the supply voltage for executing instructions is too low.

Flash corruption can easily be avoided by following these design recommendations (one is sufficient):

1. If there is no need for a Boot Loader update in the system, program the Boot Loader Lock bits to prevent any Boot Loader software updates.
2. Keep the AVR RESET active (low) during periods of insufficient power supply voltage. This can be done by enabling the internal Brown-out Detector (BOD) if the operating voltage matches the detection level. If not, an external low  $V_{CC}$  reset protection circuit can be used. If a reset occurs while a write operation is in progress, the write operation will be completed provided that the power supply voltage is sufficient.
3. Keep the AVR core in Power-down sleep mode during periods of low  $V_{CC}$ . This will prevent the CPU from attempting to decode and execute instructions, effectively protecting the SPMCSR Register and thus the Flash from unintentional writes.

## 28.8.12 Programming Time for Flash when Using SPM

The calibrated RC Oscillator is used to time Flash accesses. [Table 28-6](#) shows the typical programming time for Flash accesses from the CPU.

**Table 28-6. SPM Programming Time<sup>(1)</sup>**

| Symbol   | Min. Programming Time | Max. Programming Time |
|--|-----------------------|-----------------------|
| Flash write (Page Erase, Page Write, and write Lock bits by SPM) | 3.2ms                 | 3.4ms                 |

Note: 1. Minimum and maximum programming time is per individual operation.

## 28.8.13 Simple Assembly Code Example for a Boot Loader

```

;-the routine writes one page of data from RAM to Flash
; the first data location in RAM is pointed to by the Y pointer
; the first data location in Flash is pointed to by the Z-pointer
;-error handling is not included
;-the routine must be placed inside the Boot space
; (at least the Do_spm sub routine). Only code inside NRWW section can
; be read during Self-Programming (Page Erase and Page Write).
;-registers used: r0, r1, temp1 (r16), temp2 (r17), looplo (r24),
; loophi (r25), spmcval (r20)
; storing and restoring of registers is not included in the routine

```

```

; register usage can be optimized at the expense of code size
;-It is assumed that either the interrupt table is moved to the Boot
; loader section or that the interrupts are disabled.
.equ          PAGESIZEB = PAGESIZE*2          ;PAGESIZEB is page size in
BYTES, not words
.org SMALLBOOTSTART
Write_page:
;          Page Erase
ldi          spmcrrval, (1<<PGERS) | (1<<SPMEN)
call         Do_spm

;          re-enable the RWW section
ldi          spmcrrval, (1<<RWWSRE) | (1<<SPMEN)
call         Do_spm

;          transfer data from RAM to Flash page buffer
ldi          looplo, low(PAGESIZEB)          ;init loop variable
ldi          loophi, high(PAGESIZEB)         ;not required for
PAGESIZEB<=256
Wrloop:
ld          r0, Y+
ld          r1, Y+
ldi          spmcrrval, (1<<SPMEN)
call         Do_spm
adiw        ZH:ZL, 2
sbw        loophi:looplo, 2                  ;use subi for PAGESIZEB<=256
brne       Wrloop

;          execute Page Write
subi        ZL, low(PAGESIZEB)              ;restore pointer
sbci        ZH, high(PAGESIZEB)            ;not required for
PAGESIZEB<=256
ldi          spmcrrval, (1<<PGWRT) | (1<<SPMEN)
call         Do_spm

;          re-enable the RWW section
ldi          spmcrrval, (1<<RWWSRE) | (1<<SPMEN)
call         Do_spm

;          read back and check, optional
ldi          looplo, low(PAGESIZEB)         ;init loop variable
ldi          loophi, high(PAGESIZEB)        ;not required for
PAGESIZEB<=256
subi        YL, low(PAGESIZEB)              ;restore pointer
sbci        YH, high(PAGESIZEB)
Rdloop:
lpm        r0, Z+
ld         r1, Y+
cpse      r0, r1
jmp       Error
sbw        loophi:looplo, 1                  ;use subi for PAGESIZEB<=256
brne       Rdloop

;          return to RWW section
;          verify that RWW section is safe to read

```

```
Return:
    in            temp1, SPMCSR
    sbrs         temp1, RWWSB           ; If RWWSB is set, the RWW
section is not ready yet
    ret
    ;           re-enable the RWW section
    ldi         spmcrval, (1<<RWWSRE) | (1<<SPMEN)
    call        Do_spm
    rjmp        Return

Do_spm:
    ;           check for previous SPM complete

Wait_spm:
    in            temp1, SPMCSR
    sbrc         temp1, SPMEN
    rjmp        Wait_spm
    ;           input: spmcrval determines SPM action
    ;           disable interrupts if enabled, store status
    in            temp2, SREG
    cli
    ;           check that no EEPROM write access is present

Wait_ee:
    sbic         EECR, EEPE
    rjmp        Wait_ee
    ;           SPM timed sequence
    out          SPMCSR, spmcrval
    spm
    ;           restore SREG (to enable interrupts if originally enabled)
    out          SREG, temp2
    ret
```

## 28.8.14 ATmega88PB Boot Loader Parameters

In [Table 28-7](#) through [Table 28-9](#), the parameters used in the description of the self programming are given.

**Table 28-7. Boot Size Configuration, ATmega88PB**

| BOOTSZ1 | BOOTSZ0 | Boot Size  | Pages | Application Flash Section | Boot Loader Flash Section | End Application Section | Boot Reset Address (Start Boot Loader Section) |
|---------|---------|------------|-------|---------------------------|---------------------------|-------------------------|--|
| 1       | 1       | 128 words  | 4     | 0x000 - 0xF7F             | 0xF80 - 0xFFFF            | 0xF7F                   | 0xF80  |
| 1       | 0       | 256 words  | 8     | 0x000 - 0xEFF             | 0xF00 - 0xFFFF            | 0xEFF                   | 0xF00  |
| 0       | 1       | 512 words  | 16    | 0x000 - 0xDFF             | 0xE00 - 0xFFFF            | 0xDFF                   | 0xE00  |
| 0       | 0       | 1024 words | 32    | 0x000 - 0xBFF             | 0xC00 - 0xFFFF            | 0xBFF                   | 0xC00  |

Note: The different BOOTSZ Fuse configurations are shown in [Figure 28-2 on page 279](#).

**Table 28-8. Read-While-Write Limit, ATmega88PB**

| Section                            | Pages | Address        |
|------------------------------------|-------|----------------|
| Read-While-Write section (RWW)     | 96    | 0x000 - 0xBFF  |
| No Read-While-Write section (NRWW) | 32    | 0xC00 - 0xFFFF |

For details about these two section, see "[NRWW – No Read-While-Write Section](#)" on page 277 and "[RWW – Read-While-Write Section](#)" on page 277.

**Table 28-9. Explanation of Different Variables used in [Figure 28-3](#) and the Mapping to the Z-pointer, ATmega88PB**

| Variable |          | Corresponding Z-value <sup>(1)</sup> | Description  |
|----------|----------|--------------------------------------|--|
| PCMSB    | 11       |                                      | Most significant bit in the Program Counter. (The Program Counter is 12 bits PC[11:0])                                 |
| PAGEMSB  | 4        |                                      | Most significant bit which is used to address the words within one page (32 words in a page requires 5 bits PC [4:0]). |
| ZPCMSB   |          | Z12                                  | Bit in Z-register that is mapped to PCMSB. Because Z0 is not used, the ZPCMSB equals PCMSB + 1.                        |
| ZPAGEMSB |          | Z5                                   | Bit in Z-register that is mapped to PAGEMSB. Because Z0 is not used, the ZPAGEMSB equals PAGEMSB + 1.                  |
| PCPAGE   | PC[11:5] | Z12:Z6                               | Program counter page address: Page select, for page erase and page write   |
| PCWORD   | PC[4:0]  | Z5:Z1                                | Program counter word address: Word select, for filling temporary buffer (must be zero during page write operation)     |

Note: 1. Z15:Z13: always ignored  
 Z0: should be zero for all SPM commands, byte select for the LPM instruction.  
 See "[Addressing the Flash During Self-Programming](#)" on page 281 for details about the use of Z-pointer during Self-Programming.



## 28.8.15 ATmega168PB Boot Loader Parameters

In [Table 28-10](#) through [Table 28-12](#), the parameters used in the description of the self programming are given.

**Table 28-10. Boot Size Configuration, ATmega168PB**

| BOOTSZ1 | BOOTSZ0 | Boot Size  | Pages | Application Flash Section | Boot Loader Flash Section | End Application Section | Boot Reset Address (Start Boot Loader Section) |
|---------|---------|------------|-------|---------------------------|---------------------------|-------------------------|--|
| 1       | 1       | 128 words  | 2     | 0x0000 - 0x1F7F           | 0x1F80 - 0x1FFF           | 0x1F7F                  | 0x1F80   |
| 1       | 0       | 256 words  | 4     | 0x0000 - 0x1EFF           | 0x1F00 - 0x1FFF           | 0x1EFF                  | 0x1F00   |
| 0       | 1       | 512 words  | 8     | 0x0000 - 0x1DFF           | 0x1E00 - 0x1FFF           | 0x1DFF                  | 0x1E00   |
| 0       | 0       | 1024 words | 16    | 0x0000 - 0x1BFF           | 0x1C00 - 0x1FFF           | 0x1BFF                  | 0x1C00   |

Note: The different BOOTSZ Fuse configurations are shown in [Figure 28-2 on page 279](#).

**Table 28-11. Read-While-Write Limit, ATmega168PB**

| Section                            | Pages | Address         |
|------------------------------------|-------|-----------------|
| Read-While-Write section (RWW)     | 112   | 0x0000 - 0x1BFF |
| No Read-While-Write section (NRWW) | 16    | 0x1C00 - 0x1FFF |

For details about these two section, see ["NRWW – No Read-While-Write Section" on page 277](#) and ["RWW – Read-While-Write Section" on page 277](#).

**Table 28-12. Explanation of Different Variables used in [Figure 28-3 on page 281](#) and the Mapping to the Z-pointer, ATmega168PB**

| Variable |          | Corresponding Z-value <sup>(1)</sup> | Description   |
|----------|----------|--------------------------------------|---|
| PCMSB    | 12       |                                      | Most significant bit in the Program Counter. (The Program Counter is 13 bits PC[12:0])                                |
| PAGEMSB  | 5        |                                      | Most significant bit which is used to address the words within one page (64 words in a page requires 6 bits PC [5:0]) |
| ZPCMSB   |          | Z13                                  | Bit in Z-register that is mapped to PCMSB. Because Z0 is not used, the ZPCMSB equals PCMSB + 1.                       |
| ZPAGEMSB |          | Z6                                   | Bit in Z-register that is mapped to PAGEMSB. Because Z0 is not used, the ZPAGEMSB equals PAGEMSB + 1.                 |
| PCPAGE   | PC[12:6] | Z13:Z7                               | Program counter page address: Page select, for page erase and page write  |
| PCWORD   | PC[5:0]  | Z6:Z1                                | Program counter word address: Word select, for filling temporary buffer (must be zero during page write operation)    |

Note: 1. Z15:Z14: always ignored  
 Z0: should be zero for all SPM commands, byte select for the LPM instruction.  
 See ["Addressing the Flash During Self-Programming" on page 281](#) for details about the use of Z-pointer during Self-Programming.

## 28.9 Register Description

### 28.9.1 SPMCSR – Store Program Memory Control and Status Register

The Store Program Memory Control and Status Register contains the control bits needed to control the Boot Loader operations.

| Bit           | 7   | 6 | 5   | 4   | 3   | 2   | 1   | 0   |        |
|---------------|---|---|-----|-----|-----|-----|-----|-----|--------|
| 0x37 (0x57)   | <div style="display: flex; justify-content: space-between; padding: 2px;"> <span style="border: 1px solid black; padding: 2px;">SPMIE</span> <span style="border: 1px solid black; padding: 2px;">RWWSB</span> <span style="border: 1px solid black; padding: 2px;">SIGRD</span> <span style="border: 1px solid black; padding: 2px;">RWWSRE</span> <span style="border: 1px solid black; padding: 2px;">BLBSET</span> <span style="border: 1px solid black; padding: 2px;">PGWRT</span> <span style="border: 1px solid black; padding: 2px;">PGERS</span> <span style="border: 1px solid black; padding: 2px;">SPMEN</span> </div> |   |     |     |     |     |     |     | SPMCSR |
| Read/Write    | R/W   | R | R/W | R/W | R/W | R/W | R/W | R/W |        |
| Initial Value | 0   | 0 | 0   | 0   | 0   | 0   | 0   | 0   |        |

- **Bit 7 – SPMIE: SPM Interrupt Enable**

When the SPMIE bit is written to one, and the I-bit in the Status Register is set (one), the SPM ready interrupt will be enabled. The SPM ready Interrupt will be executed as long as the SPMEN bit in the SPMCSR Register is cleared.

- **Bit 6 – RWWSB: Read-While-Write Section Busy**

When a Self-Programming (Page Erase or Page Write) operation to the RWW section is initiated, the RWWSB will be set (one) by hardware. When the RWWSB bit is set, the RWW section cannot be accessed. The RWWSB bit will be cleared if the RWWSRE bit is written to one after a Self-Programming operation is completed. Alternatively the RWWSB bit will automatically be cleared if a page load operation is initiated.

- **Bit 5 – SIGRD: Signature Row Read**

If this bit is written to one at the same time as SPMEN, the next LPM instruction within three clock cycles will read a byte from the signature row into the destination register. see ["Reading the Signature Row from Software" on page 284](#) for details. An SPM instruction within four cycles after SIGRD and SPMEN are set will have no effect. This operation is reserved for future use and should not be used.

- **Bit 4 – RWWSRE: Read-While-Write Section Read Enable**

When programming (Page Erase or Page Write) to the RWW section, the RWW section is blocked for reading (the RWWSB will be set by hardware). To re-enable the RWW section, the user software must wait until the programming is completed (SPMEN will be cleared). Then, if the RWWSRE bit is written to one at the same time as SPMEN, the next SPM instruction within four clock cycles re-enables the RWW section. The RWW section cannot be re-enabled while the Flash is busy with a Page Erase or a Page Write (SPMEN is set). If the RWWSRE bit is written while the Flash is being loaded, the Flash load operation will abort and the data loaded will be lost.

- **Bit 3 – BLBSET: Boot Lock Bit Set**

If this bit is written to one at the same time as SPMEN, the next SPM instruction within four clock cycles sets Boot Lock bits and Memory Lock bits, according to the data in R0. The data in R1 and the address in the Z-pointer are ignored. The BLBSET bit will automatically be cleared upon completion of the Lock bit set, or if no SPM instruction is executed within four clock cycles.

An LPM instruction within three cycles after BLBSET and SPMEN are set in the SPMCSR Register, will read either the Lock bits or the Fuse bits (depending on Z0 in the Z-pointer) into the destination register. See ["Reading the Fuse and Lock Bits from Software" on page 283](#) for details.

- **Bit 2 – PGWRT: Page Write**

If this bit is written to one at the same time as SPMEN, the next SPM instruction within four clock cycles executes Page Write, with the data stored in the temporary buffer. The page address is taken from the high part of the Z-pointer. The data in R1 and R0 are ignored. The PGWRT bit will auto-clear upon completion of a Page Write, or if

no SPM instruction is executed within four clock cycles. The CPU is halted during the entire Page Write operation if the NRWW section is addressed.

- **Bit 1 – PGERS: Page Erase**

If this bit is written to one at the same time as SPMEN, the next SPM instruction within four clock cycles executes Page Erase. The page address is taken from the high part of the Z-pointer. The data in R1 and R0 are ignored. The PGERS bit will auto-clear upon completion of a Page Erase, or if no SPM instruction is executed within four clock cycles. The CPU is halted during the entire Page Write operation if the NRWW section is addressed.

- **Bit 0 – SPMEN: Store Program Memory**

This bit enables the SPM instruction for the next four clock cycles. If written to one together with either RWWSRE, BLBSET, PGWRT or PGERS, the following SPM instruction will have a special meaning, see description above. If only SPMEN is written, the following SPM instruction will store the value in R1:R0 in the temporary page buffer addressed by the Z-pointer. The LSB of the Z-pointer is ignored. The SPMEN bit will auto-clear upon completion of an SPM instruction, or if no SPM instruction is executed within four clock cycles. During Page Erase and Page Write, the SPMEN bit remains high until the operation is completed.

Writing any other combination than “10001”, “01001”, “00101”, “00011” or “00001” in the lower five bits will have no effect.

## 29. Memory Programming

### 29.1 Program And Data Memory Lock Bits

The ATmega48PB provides two Lock bits and the ATmega48PB/88PB/168PB provides six Lock bits. These can be left unprogrammed (“1”) or can be programmed (“0”) to obtain the additional features listed in [Table 29-2](#). The Lock bits can only be erased to “1” with the Chip Erase command.

The ATmega48PB has no separate Boot Loader section, and the SPM instruction is enabled for the whole Flash if the SELFPRGEN fuse is programmed (“0”). Otherwise the SPM instruction is disabled.

**Table 29-1. Lock Bit Byte<sup>(1)</sup>**

| Lock Bit Byte        | Bit No. | Description   | Default Value    |
|----------------------|---------|---------------|------------------|
|                      | 7       | –             | 1 (unprogrammed) |
|                      | 6       | –             | 1 (unprogrammed) |
| BLB12 <sup>(2)</sup> | 5       | Boot Lock bit | 1 (unprogrammed) |
| BLB11 <sup>(2)</sup> | 4       | Boot Lock bit | 1 (unprogrammed) |
| BLB02 <sup>(2)</sup> | 3       | Boot Lock bit | 1 (unprogrammed) |
| BLB01 <sup>(2)</sup> | 2       | Boot Lock bit | 1 (unprogrammed) |
| LB2                  | 1       | Lock bit      | 1 (unprogrammed) |
| LB1                  | 0       | Lock bit      | 1 (unprogrammed) |

- Notes: 1. “1” means unprogrammed, “0” means programmed.  
 2. Only on ATmega48PB/88PB/168PB.

**Table 29-2. Lock Bit Protection Modes<sup>(1)(2)</sup>**

| Memory Lock Bits |     |     | Protection Type  |
|------------------|-----|-----|--|
| LB Mode          | LB2 | LB1 |  |
| 1                | 1   | 1   | No memory lock features enabled.   |
| 2                | 1   | 0   | Further programming of the Flash and EEPROM is disabled in Parallel and Serial Programming mode. The Fuse bits are locked in both Serial and Parallel Programming mode. <sup>(1)</sup>                                     |
| 3                | 0   | 0   | Further programming and verification of the Flash and EEPROM is disabled in Parallel and Serial Programming mode. The Boot Lock bits and Fuse bits are locked in both Serial and Parallel Programming mode. <sup>(1)</sup> |

- Notes: 1. Program the Fuse bits and Boot Lock bits before programming the LB1 and LB2.  
 2. “1” means unprogrammed, “0” means programmed.

**Table 29-3. Lock Bit Protection Modes<sup>(1)(2)</sup>. Only ATmega48PB/88PB/168PB**

| BLB0 Mode | BLB02 | BLB01 |   |
|-----------|-------|-------|---|
| 1         | 1     | 1     | No restrictions for SPM or LPM accessing the Application section.   |
| 2         | 1     | 0     | SPM is not allowed to write to the Application section.   |
| 3         | 0     | 0     | SPM is not allowed to write to the Application section, and LPM executing from the Boot Loader section is not allowed to read from the Application section. If Interrupt Vectors are placed in the Boot Loader section, interrupts are disabled while executing from the Application section. |
| 4         | 0     | 1     | LPM executing from the Boot Loader section is not allowed to read from the Application section. If Interrupt Vectors are placed in the Boot Loader section, interrupts are disabled while executing from the Application section.   |
| BLB1 Mode | BLB12 | BLB11 |   |
| 1         | 1     | 1     | No restrictions for SPM or LPM accessing the Boot Loader section.   |
| 2         | 1     | 0     | SPM is not allowed to write to the Boot Loader section.   |
| 3         | 0     | 0     | SPM is not allowed to write to the Boot Loader section, and LPM executing from the Application section is not allowed to read from the Boot Loader section. If Interrupt Vectors are placed in the Application section, interrupts are disabled while executing from the Boot Loader section. |
| 4         | 0     | 1     | LPM executing from the Application section is not allowed to read from the Boot Loader section. If Interrupt Vectors are placed in the Application section, interrupts are disabled while executing from the Boot Loader section.   |

- Notes: 1. Program the Fuse bits and Boot Lock bits before programming the LB1 and LB2.  
 2. "1" means unprogrammed, "0" means programmed.

## 29.2 Fuse Bits

The ATmega48PB/88PB/168PB has three Fuse bytes. [Table 29-4](#) and [Table 29-7 on page 294](#) describe briefly the functionality of all the fuses and how they are mapped into the Fuse bytes. Note that the fuses are read as logical zero, "0", if they are programmed.

**Table 29-4. Extended Fuse Byte for ATmega48PB**

| Extended Fuse Byte | Bit No. | Description             | Default Value    |
|--------------------|---------|-------------------------|------------------|
| –                  | 7       | –                       | 1                |
| –                  | 6       | –                       | 1                |
| –                  | 5       | –                       | 1                |
| –                  | 4       | –                       | 1                |
| –                  | 3       | –                       | 1                |
| –                  | 2       | –                       | 1                |
| –                  | 1       | –                       | 1                |
| SELFPRGEN          | 0       | Self Programming Enable | 1 (unprogrammed) |

**Table 29-5. Extended Fuse Byte for ATmega88PB/168PB**

| Extended Fuse Byte | Bit No. | Description  | Default Value                 |
|--------------------|---------|--|-------------------------------|
| –                  | 7       | –  | 1                             |
| –                  | 6       | –  | 1                             |
| –                  | 5       | –  | 1                             |
| –                  | 4       | –  | 1                             |
| –                  | 3       | –  | 1                             |
| BOOTSZ1            | 2       | Select Boot Size<br>(see <a href="#">Table 28-7 on page 288</a> and <a href="#">Table 28-10 on page 289</a> for details) | 0 (programmed) <sup>(1)</sup> |
| BOOTSZ0            | 1       | Select Boot Size<br>(see <a href="#">Table 28-7 on page 288</a> and <a href="#">Table 28-10 on page 289</a> for details) | 0 (programmed) <sup>(1)</sup> |
| BOTRST             | 0       | Select Reset Vector  | 1 (unprogrammed)              |

Note: 1. The default value of BOOTSZ[1:0] results in maximum Boot Size. See ["Pin Name Mapping" on page 297](#).

**Table 29-6. Fuse High Byte for ATmega48PB/88PB/168PB**

| High Fuse Byte           | Bit No. | Description                                       | Default Value                           |
|--------------------------|---------|---|---|
| RSTDISBL <sup>(1)</sup>  | 7       | External Reset Disable                            | 1 (unprogrammed)                        |
| DWEN                     | 6       | debugWIRE Enable                                  | 1 (unprogrammed)                        |
| SPIEN <sup>(2)</sup>     | 5       | Enable Serial Program and Data Downloading        | 0 (programmed, SPI programming enabled) |
| WDTON <sup>(3)</sup>     | 4       | Watchdog Timer Always On                          | 1 (unprogrammed)                        |
| EESAVE                   | 3       | EEPROM memory is preserved through the Chip Erase | 1 (unprogrammed), EEPROM not reserved   |
| BODLEVEL2 <sup>(4)</sup> | 2       | Brown-out Detector trigger level                  | 1 (unprogrammed)                        |
| BODLEVEL1 <sup>(4)</sup> | 1       | Brown-out Detector trigger level                  | 1 (unprogrammed)                        |
| BODLEVEL0 <sup>(4)</sup> | 0       | Brown-out Detector trigger level                  | 1 (unprogrammed)                        |

Notes: 1. See ["Alternate Functions of Port C" on page 92](#) for description of RSTDISBL Fuse.

2. The SPIEN Fuse is not accessible in serial programming mode.

3. See ["WDTCSR – Watchdog Timer Control Register" on page 62](#) for details.

4. See [Table 30-7 on page 315](#) for BODLEVEL Fuse decoding.

**Table 29-7. Fuse Low Byte**

| Low Fuse Byte         | Bit No. | Description          | Default Value                   |
|-----------------------|---------|----------------------|---------------------------------|
| CKDIV8 <sup>(4)</sup> | 7       | Divide clock by 8    | 0 (programmed)                  |
| CKOUT <sup>(3)</sup>  | 6       | Clock output         | 1 (unprogrammed)                |
| SUT1                  | 5       | Select start-up time | 1 (unprogrammed) <sup>(1)</sup> |
| SUT0                  | 4       | Select start-up time | 0 (programmed) <sup>(1)</sup>   |
| CKSEL3                | 3       | Select Clock source  | 0 (programmed) <sup>(2)</sup>   |

**Table 29-7. Fuse Low Byte (Continued)**

| Low Fuse Byte | Bit No. | Description         | Default Value                   |
|---------------|---------|---------------------|---------------------------------|
| CKSEL2        | 2       | Select Clock source | 0 (programmed) <sup>(2)</sup>   |
| CKSEL1        | 1       | Select Clock source | 1 (unprogrammed) <sup>(2)</sup> |
| CKSEL0        | 0       | Select Clock source | 0 (programmed) <sup>(2)</sup>   |

- Note:
1. The default value of SUT1...0 results in maximum start-up time for the default clock source. See [Table 10-10 on page 41](#) for details.
  2. The default setting of CKSEL3...0 results in internal RC Oscillator @ 8MHz. See [Table 10-9 on page 41](#) for details.
  3. The CKOUT Fuse allows the system clock to be output on PORTB0. See ["Clock Output Buffer" on page 43](#) for details.
  4. See ["System Clock Prescaler" on page 43](#) for details.

The status of the Fuse bits is not affected by Chip Erase. Note that the Fuse bits are locked if Lock bit1 (LB1) is programmed. Program the Fuse bits before programming the Lock bits.

### 29.2.1 Latching of Fuses

The fuse values are latched when the device enters programming mode and changes of the fuse values will have no effect until the part leaves Programming mode. This does not apply to the EESAVE Fuse which will take effect once it is programmed. The fuses are also latched on Power-up in Normal mode.

### 29.3 Signature Bytes

All Microchip microcontrollers have a three-byte signature code which identifies the device. This code can be read in both serial and parallel mode, also when the device is locked. The three bytes reside in a separate address space. For the ATmega48PB/88PB/168PB the signature bytes are given in [Table 29-8](#).

**Table 29-8. Device ID**

| Part        | Signature Bytes Address |       |       |
|-------------|-------------------------|-------|-------|
|             | 0x000                   | 0x001 | 0x002 |
| ATmega48PB  | 0x1E                    | 0x92  | 0x10  |
| ATmega88PB  | 0x1E                    | 0x93  | 0x16  |
| ATmega168PB | 0x1E                    | 0x94  | 0x15  |

### 29.4 Calibration Byte

The ATmega48PB/88PB/168PB has a byte calibration value for the Internal RC Oscillator. This byte resides in the high byte of address 0x000 in the signature address space. During reset, this byte is automatically written into the OSCCAL Register to ensure correct frequency of the calibrated RC Oscillator.

## 29.5 Page Size

**Table 29-9. No. of Words in a Page and No. of Pages in the Flash**

| Device      | Flash Size          | Page Size | PCWORD  | No. of Pages | PCPAGE   | PCMSB |
|-------------|---------------------|-----------|---------|--------------|----------|-------|
| ATmega48PB  | 2K words (4Kbytes)  | 32 words  | PC[4:0] | 64           | PC[10:5] | 10    |
| ATmega88PB  | 4K words (8Kbytes)  | 32 words  | PC[4:0] | 128          | PC[11:5] | 11    |
| ATmega168PB | 8K words (16Kbytes) | 64 words  | PC[5:0] | 128          | PC[12:6] | 12    |

**Table 29-10. No. of Words in a Page and No. of Pages in the EEPROM**

| Device      | EEPROM Size | Page Size | PCWORD   | No. of Pages | PCPAGE   | EEAMSB |
|-------------|-------------|-----------|----------|--------------|----------|--------|
| ATmega48PB  | 256bytes    | 4bytes    | EEA[1:0] | 64           | EEA[7:2] | 7      |
| ATmega88PB  | 512bytes    | 4bytes    | EEA[1:0] | 128          | EEA[8:2] | 8      |
| ATmega168PB | 512bytes    | 4bytes    | EEA[1:0] | 128          | EEA[8:2] | 8      |

## 29.6 Parallel Programming Parameters, Pin Mapping, and Commands

This section describes how to parallel program and verify Flash Program memory, EEPROM Data memory, Memory Lock bits, and Fuse bits in the ATmega48PB/88PB/168PB. Pulses are assumed to be at least 250ns unless otherwise noted.

### 29.6.1 Signal Names

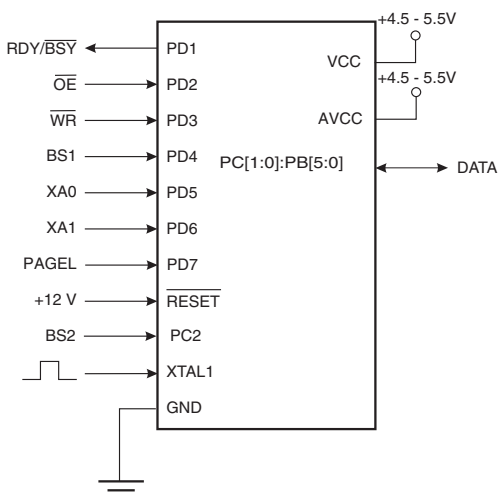
In this section, some pins of the ATmega48PB/88PB/168PB are referenced by signal names describing their functionality during parallel programming, see [Figure 29-1 on page 297](#) and [Table 29-11 on page 297](#). Pins not described in the following table are referenced by pin names.

The XA1/XA0 pins determine the action executed when the XTAL1 pin is given a positive pulse. The bit coding is shown in [Table 29-13 on page 297](#).

When pulsing  $\overline{WR}$  or  $\overline{OE}$ , the command loaded determines the action executed. The different Commands are shown in [Table 29-14 on page 298](#).



**Figure 29-1. Parallel Programming**



Note:  $V_{CC} - 0.3V < AV_{CC} < V_{CC} + 0.3V$ , however,  $AV_{CC}$  should always be within 4.5 - 5.5V

**Table 29-11. Pin Name Mapping**

| Signal Name in Programming Mode | Pin Name           | I/O | Function  |
|---------------------------------|--------------------|-----|---|
| RDY/ $\overline{BSY}$           | PD1                | O   | 0: Device is busy programming, 1: Device is ready for new command |
| $\overline{OE}$                 | PD2                | I   | Output Enable (Active low)  |
| $\overline{WR}$                 | PD3                | I   | Write Pulse (Active low)  |
| BS1                             | PD4                | I   | Byte Select 1 ("0" selects Low byte, "1" selects High byte)       |
| XA0                             | PD5                | I   | XTAL Action Bit 0   |
| XA1                             | PD6                | I   | XTAL Action Bit 1   |
| PAGEL                           | PD7                | I   | Program memory and EEPROM Data Page Load                          |
| BS2                             | PC2                | I   | Byte Select 2 ("0" selects Low byte, "1" selects 2'nd High byte)  |
| DATA                            | {PC[1:0]: PB[5:0]} | I/O | Bi-directional Data bus (Output when $\overline{OE}$ is low)      |

**Table 29-12. Pin Values Used to Enter Programming Mode**

| Pin   | Symbol         | Value |
|-------|----------------|-------|
| PAGEL | Prog_enable[3] | 0     |
| XA1   | Prog_enable[2] | 0     |
| XA0   | Prog_enable[1] | 0     |
| BS1   | Prog_enable[0] | 0     |

**Table 29-13. XA1 and XA0 Coding**

| XA1 | XA0 | Action when XTAL1 is Pulsed   |
|-----|-----|---|
| 0   | 0   | Load Flash or EEPROM Address (High or low address byte determined by BS1) |
| 0   | 1   | Load Data (High or Low data byte for Flash determined by BS1)             |
| 1   | 0   | Load Command  |
| 1   | 1   | No Action, Idle   |

**Table 29-14. Command Byte Bit Coding**

| Command Byte | Command Executed                          |
|--------------|---|
| 1000 0000    | Chip Erase                                |
| 0100 0000    | Write Fuse bits                           |
| 0010 0000    | Write Lock bits                           |
| 0001 0000    | Write Flash                               |
| 0001 0001    | Write EEPROM                              |
| 0000 1000    | Read Signature Bytes and Calibration byte |
| 0000 0100    | Read Fuse and Lock bits                   |
| 0000 0010    | Read Flash                                |
| 0000 0011    | Read EEPROM                               |

## 29.7 Parallel Programming

### 29.7.1 Enter Programming Mode

The following algorithm puts the device in Parallel (High-voltage) Programming mode:

1. Set Prog\_enable pins listed in [Table 29-12 on page 297](#) to “0000”, RESET pin to 0V and V<sub>CC</sub> to 0V.
2. Apply 4.5 - 5.5V between V<sub>CC</sub> and GND.

Ensure that V<sub>CC</sub> reaches at least 1.8V within the next 20μs.

3. Wait 20 - 60μs, and apply 11.5 - 12.5V to RESET.
4. Keep the Prog\_enable pins unchanged for at least 10μs after the High-voltage has been applied to ensure the Prog\_enable Signature has been latched.
5. Wait at least 300μs before giving any parallel programming commands.
6. Exit Programming mode by power the device down or by bringing RESET pin to 0V.

If the rise time of the V<sub>CC</sub> is unable to fulfill the requirements listed above, the following alternative algorithm can be used.

1. Set Prog\_enable pins listed in [Table 29-12 on page 297](#) to “0000”, RESET pin to 0V and V<sub>CC</sub> to 0V.
2. Apply 4.5 - 5.5V between V<sub>CC</sub> and GND.
3. Monitor V<sub>CC</sub>, and as soon as V<sub>CC</sub> reaches 0.9 - 1.1V, apply 11.5 - 12.5V to RESET.
4. Keep the Prog\_enable pins unchanged for at least 10μs after the High-voltage has been applied to ensure the Prog\_enable Signature has been latched.
5. Wait until V<sub>CC</sub> actually reaches 4.5 - 5.5V before giving any parallel programming commands.
6. Exit Programming mode by power the device down or by bringing RESET pin to 0V.

### 29.7.2 Considerations for Efficient Programming

The loaded command and address are retained in the device during programming. For efficient programming, the following should be considered.

- The command needs only be loaded once when writing or reading multiple memory locations.
- Skip writing the data value 0xFF, that is the contents of the entire EEPROM (unless the EESAVE Fuse is programmed) and Flash after a Chip Erase.
- Address high byte needs only be loaded before programming or reading a new 256 word window in Flash or 256 byte EEPROM. This consideration also applies to Signature bytes reading.

### 29.7.3 Chip Erase

The Chip Erase will erase the Flash and EEPROM<sup>(1)</sup> memories plus Lock bits. The Lock bits are not reset until the program memory has been completely erased. The Fuse bits are not changed. A Chip Erase must be performed before the Flash and/or EEPROM are reprogrammed.

Note: 1. The EEPROM memory is preserved during Chip Erase if the EESAVE Fuse is programmed.

Load Command "Chip Erase":

1. Set XA1, XA0 to "10". This enables command loading.
2. Set BS1 to "0".
3. Set DATA to "1000 0000". This is the command for Chip Erase.
4. Give XTAL1 a positive pulse. This loads the command.
5. Give  $\overline{WR}$  a negative pulse. This starts the Chip Erase.  $\overline{RDY/BSY}$  goes low.
6. Wait until  $\overline{RDY/BSY}$  goes high before loading a new command.

### 29.7.4 Programming the Flash

The Flash is organized in pages, see [Table 29-9 on page 296](#). When programming the Flash, the program data is latched into a page buffer. This allows one page of program data to be programmed simultaneously. The following procedure describes how to program the entire Flash memory:

A. Load Command "Write Flash".

1. Set XA1, XA0 to "10". This enables command loading.
2. Set BS1 to "0".
3. Set DATA to "0001 0000". This is the command for Write Flash.
4. Give XTAL1 a positive pulse. This loads the command.

B. Load Address Low byte.

1. Set XA1, XA0 to "00". This enables address loading.
2. Set BS1 to "0". This selects low address.
3. Set DATA = Address low byte (0x00 - 0xFF).
4. Give XTAL1 a positive pulse. This loads the address low byte.

C. Load Data Low Byte.

1. Set XA1, XA0 to "01". This enables data loading.
2. Set DATA = Data low byte (0x00 - 0xFF).
3. Give XTAL1 a positive pulse. This loads the data byte.

D. Load Data High Byte.

1. Set BS1 to "1". This selects high data byte.
2. Set XA1, XA0 to "01". This enables data loading.
3. Set DATA = Data high byte (0x00 - 0xFF).
4. Give XTAL1 a positive pulse. This loads the data byte.

E. Latch Data.

1. Set BS1 to "1". This selects high data byte.
2. Give PAGEL a positive pulse. This latches the data bytes. (See [Figure 29-3 on page 301](#) for signal waveforms)

F. Repeat B through E until the entire buffer is filled or until all data within the page is loaded.

While the lower bits in the address are mapped to words within the page, the higher bits address the pages within the FLASH. This is illustrated in [Figure 29-2](#). Note that if less than eight bits are required to address words in the

page (pagesize < 256), the most significant bit(s) in the address low byte are used to address the page when performing a Page Write.

G. Load Address High byte.

1. Set XA1, XA0 to "00". This enables address loading.
2. Set BS1 to "1". This selects high address.
3. Set DATA = Address high byte (0x00 - 0xFF).
4. Give XTAL1 a positive pulse. This loads the address high byte.

H. Program Page.

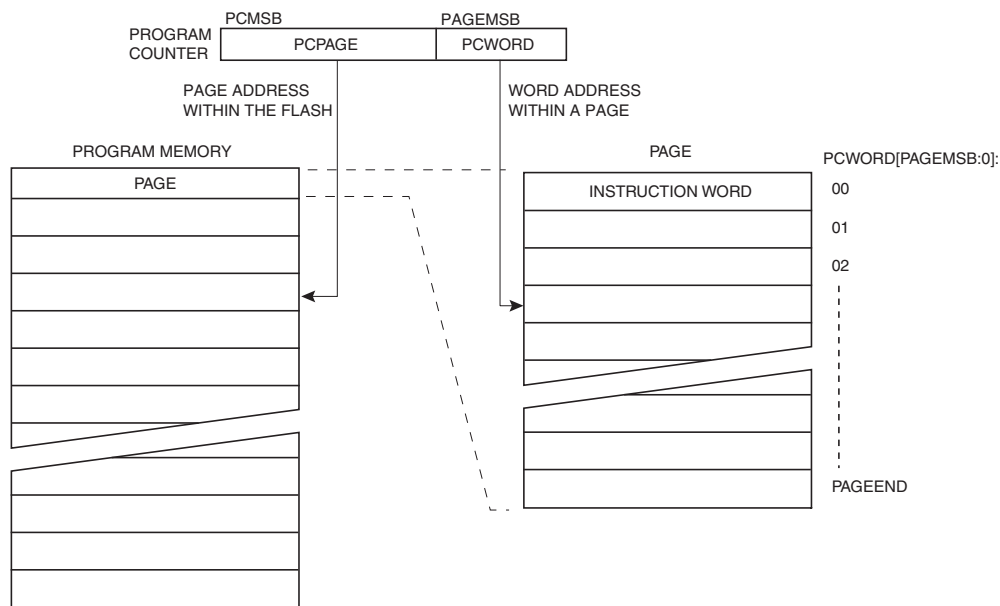
1. Give  $\overline{WR}$  a negative pulse. This starts programming of the entire page of data. RDY/ $\overline{BSY}$  goes low.
2. Wait until RDY/ $\overline{BSY}$  goes high (See [Figure 29-3 on page 301](#) for signal waveforms).

I. Repeat B through H until the entire Flash is programmed or until all data has been programmed.

J. End Page Programming.

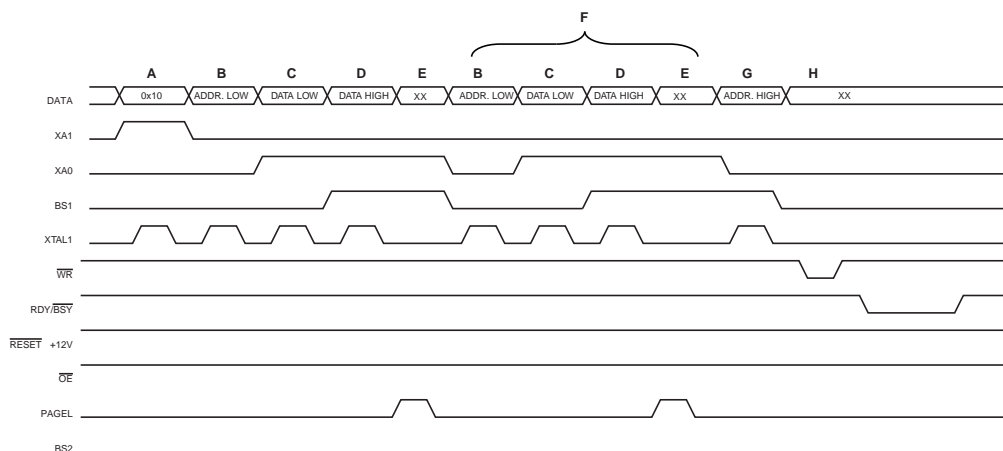
1. Set XA1, XA0 to "10". This enables command loading.
2. Set DATA to "0000 0000". This is the command for No Operation.
3. Give XTAL1 a positive pulse. This loads the command, and the internal write signals are reset.

**Figure 29-2. Addressing the Flash Which is Organized in Pages<sup>(1)</sup>**



Note: 1. PCPAGE and PCWORD are listed in [Table 29-9 on page 296](#).

**Figure 29-3. Programming the Flash Waveforms<sup>(1)</sup>**



Note: 1. "XX" is don't care. The letters refer to the programming description above.

## 29.7.5 Programming the EEPROM

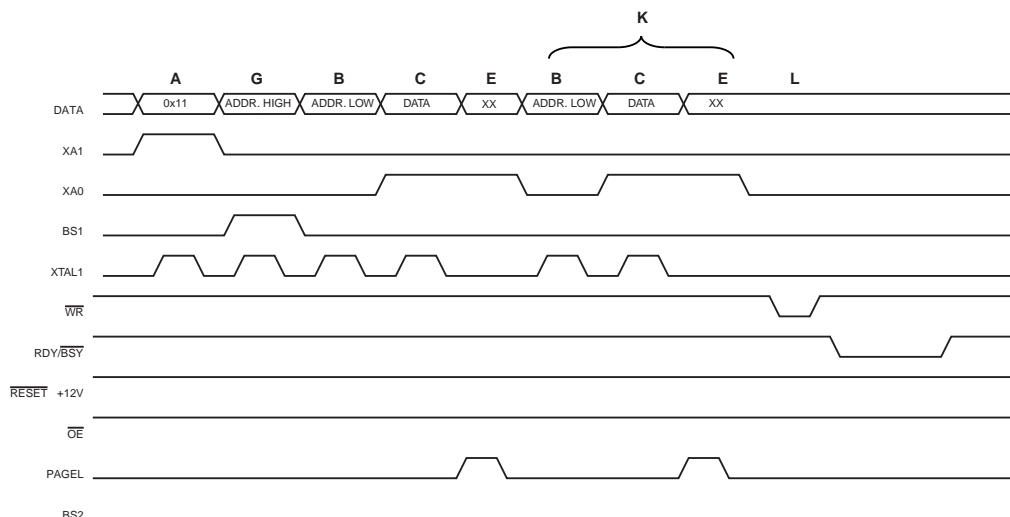
The EEPROM is organized in pages, see [Table 29-10 on page 296](#). When programming the EEPROM, the program data is latched into a page buffer. This allows one page of data to be programmed simultaneously. The programming algorithm for the EEPROM data memory is as follows (refer to "Programming the Flash" on page 299 for details on Command, Address and Data loading):

1. A: Load Command "0001 0001".
  2. G: Load Address High Byte (0x00 - 0xFF).
  3. B: Load Address Low Byte (0x00 - 0xFF).
  4. C: Load Data (0x00 - 0xFF).
  5. E: Latch data (give PAGEL a positive pulse).
- K: Repeat 3 through 5 until the entire buffer is filled.

L: Program EEPROM page

1. Set BS1 to "0".
2. Give  $\overline{WR}$  a negative pulse. This starts programming of the EEPROM page.  $\overline{RDY/BSY}$  goes low.
3. Wait until  $\overline{RDY/BSY}$  goes high before programming the next page (See [Figure 29-4 on page 302](#) for signal waveforms).

**Figure 29-4. Programming the EEPROM Waveforms**



## 29.7.6 Reading the Flash

The algorithm for reading the Flash memory is as follows (refer to ["Programming the Flash" on page 299](#) for details on Command and Address loading):

1. A: Load Command "0000 0010".
2. G: Load Address High Byte (0x00 - 0xFF).
3. B: Load Address Low Byte (0x00 - 0xFF).
4. Set  $\overline{OE}$  to "0", and BS1 to "0". The Flash word low byte can now be read at DATA.
5. Set BS1 to "1". The Flash word high byte can now be read at DATA.
6. Set  $\overline{OE}$  to "1".

## 29.7.7 Reading the EEPROM

The algorithm for reading the EEPROM memory is as follows (refer to ["Programming the Flash" on page 299](#) for details on Command and Address loading):

1. A: Load Command "0000 0011".
2. G: Load Address High Byte (0x00 - 0xFF).
3. B: Load Address Low Byte (0x00 - 0xFF).
4. Set  $\overline{OE}$  to "0", and BS1 to "0". The EEPROM Data byte can now be read at DATA.
5. Set  $\overline{OE}$  to "1".

## 29.7.8 Programming the Fuse Low Bits

The algorithm for programming the Fuse Low bits is as follows (refer to ["Programming the Flash" on page 299](#) for details on Command and Data loading):

1. A: Load Command "0100 0000".
2. C: Load Data Low Byte. Bit n = "0" programs and bit n = "1" erases the Fuse bit.
3. Give  $\overline{WR}$  a negative pulse and wait for RDY/ $\overline{BSY}$  to go high.

## 29.7.9 Programming the Fuse High Bits

The algorithm for programming the Fuse High bits is as follows (refer to ["Programming the Flash" on page 299](#) for details on Command and Data loading):

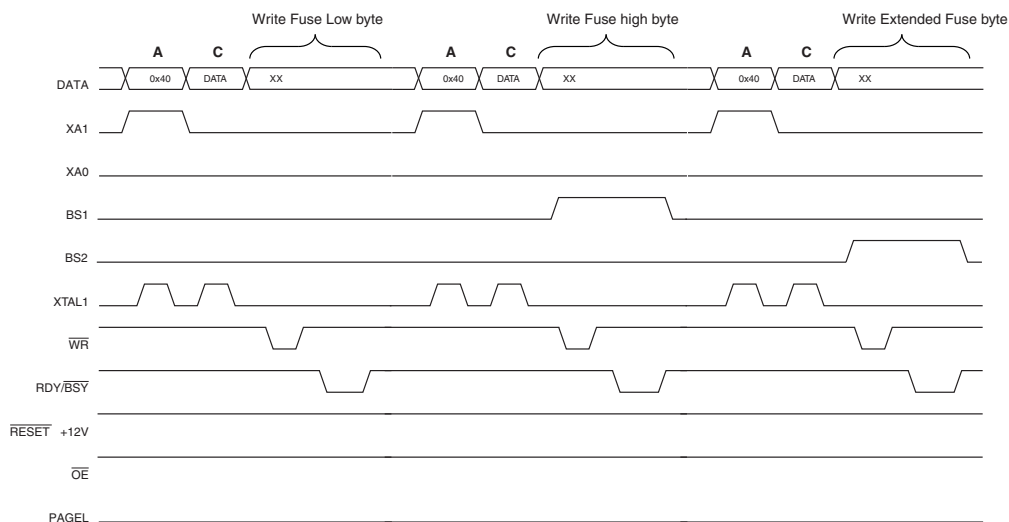
1. A: Load Command "0100 0000".
2. C: Load Data Low Byte. Bit n = "0" programs and bit n = "1" erases the Fuse bit.
3. Set BS1 to "1" and BS2 to "0". This selects high data byte.
4. Give  $\overline{WR}$  a negative pulse and wait for RDY/ $\overline{BSY}$  to go high.
5. Set BS1 to "0". This selects low data byte.

## 29.7.10 Programming the Extended Fuse Bits

The algorithm for programming the Extended Fuse bits is as follows (refer to ["Programming the Flash" on page 299](#) for details on Command and Data loading):

1. 1. A: Load Command "0100 0000".
2. 2. C: Load Data Low Byte. Bit n = "0" programs and bit n = "1" erases the Fuse bit.
3. 3. Set BS1 to "0" and BS2 to "1". This selects extended data byte.
4. 4. Give  $\overline{WR}$  a negative pulse and wait for RDY/ $\overline{BSY}$  to go high.
5. 5. Set BS2 to "0". This selects low data byte.

**Figure 29-5. Programming the FUSES Waveforms**



## 29.7.11 Programming the Lock Bits

The algorithm for programming the Lock bits is as follows (refer to ["Programming the Flash" on page 299](#) for details on Command and Data loading):

1. A: Load Command "0010 0000".
2. C: Load Data Low Byte. Bit n = "0" programs the Lock bit. If LB mode 3 is programmed (LB1 and LB2 is programmed), it is not possible to program the Boot Lock bits by any External Programming mode.
3. Give  $\overline{WR}$  a negative pulse and wait for RDY/ $\overline{BSY}$  to go high.

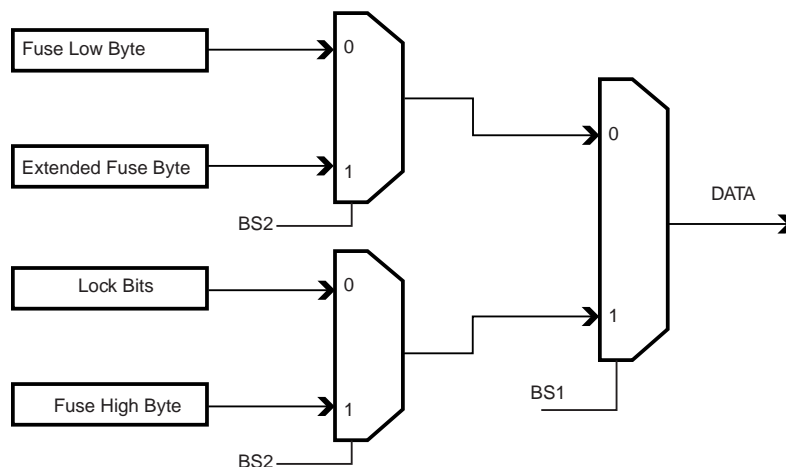
The Lock bits can only be cleared by executing Chip Erase.

## 29.7.12 Reading the Fuse and Lock Bits

The algorithm for reading the Fuse and Lock bits is as follows (refer to ["Programming the Flash" on page 299](#) for details on Command loading):

1. A: Load Command "0000 0100".
2. Set  $\overline{OE}$  to "0", BS2 to "0" and BS1 to "0". The status of the Fuse Low bits can now be read at DATA ("0" means programmed).
3. Set  $\overline{OE}$  to "0", BS2 to "1" and BS1 to "1". The status of the Fuse High bits can now be read at DATA ("0" means programmed).
4. Set  $\overline{OE}$  to "0", BS2 to "1", and BS1 to "0". The status of the Extended Fuse bits can now be read at DATA ("0" means programmed).
5. Set  $\overline{OE}$  to "0", BS2 to "0" and BS1 to "1". The status of the Lock bits can now be read at DATA ("0" means programmed).
6. Set  $\overline{OE}$  to "1".

**Figure 29-6. Mapping Between BS1, BS2 and the Fuse and Lock Bits During Read**



## 29.7.13 Reading the Signature Bytes

The algorithm for reading the Signature bytes is as follows (refer to ["Programming the Flash" on page 299](#) for details on Command and Address loading):

1. A: Load Command "0000 1000".
2. B: Load Address Low Byte (0x00 - 0x02).
3. Set  $\overline{OE}$  to "0", and BS1 to "0". The selected Signature byte can now be read at DATA.
4. Set  $\overline{OE}$  to "1".

## 29.7.14 Reading the Calibration Byte

The algorithm for reading the Calibration byte is as follows (refer to ["Programming the Flash" on page 299](#) for details on Command and Address loading):

1. A: Load Command "0000 1000".
2. B: Load Address Low Byte, 0x00.
3. Set  $\overline{OE}$  to "0", and BS1 to "1". The Calibration byte can now be read at DATA.
4. Set  $\overline{OE}$  to "1".



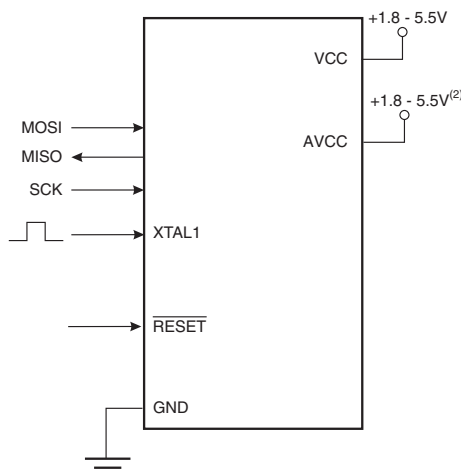
## 29.7.15 Parallel Programming Characteristics

For characteristics of the Parallel Programming, see "Parallel Programming Characteristics" on page 321.

## 29.8 Serial Downloading

Both the Flash and EEPROM memory arrays can be programmed using the serial SPI bus while  $\overline{\text{RESET}}$  is pulled to GND. The serial interface consists of pins SCK, MOSI (input) and MISO (output). After  $\overline{\text{RESET}}$  is set low, the Programming Enable instruction needs to be executed first before program/erase operations can be executed. NOTE, in Table 29-15, the pin mapping for SPI programming is listed. Not all parts use the SPI pins dedicated for the internal SPI interface.

Figure 29-7. Serial Programming and Verify<sup>(1)</sup>



- Notes: 1. If the device is clocked by the internal Oscillator, it is no need to connect a clock source to the XTAL1 pin.  
 2.  $V_{CC} - 0.3V < AV_{CC} < V_{CC} + 0.3V$ , however,  $AV_{CC}$  should always be within 1.8 - 5.5V

When programming the EEPROM, an auto-erase cycle is built into the self-timed programming operation (in the Serial mode ONLY) and there is no need to first execute the Chip Erase instruction. The Chip Erase operation turns the content of every memory location in both the Program and EEPROM arrays into 0xFF.

Depending on CKSEL Fuses, a valid clock must be present. The minimum low and high periods for the serial clock (SCK) input are defined as follows:

Low:> Two CPU clock cycles for  $f_{ck} < 12\text{MHz}$ , three CPU clock cycles for  $f_{ck} \geq 12\text{MHz}$

High:> Two CPU clock cycles for  $f_{ck} < 12\text{MHz}$ , three CPU clock cycles for  $f_{ck} \geq 12\text{MHz}$

### 29.8.1 Serial Programming Pin Mapping

Table 29-15. Pin Mapping Serial Programming

| Symbol | Pins | I/O | Description     |
|--------|------|-----|-----------------|
| MOSI   | PB3  | I   | Serial Data in  |
| MISO   | PB4  | O   | Serial Data out |
| SCK    | PB5  | I   | Serial Clock    |

## 29.8.2 Serial Programming Algorithm

When writing serial data to the ATmega48PB/88PB/168PB, data is clocked on the rising edge of SCK.

When reading data from the ATmega48PB/88PB/168PB, data is clocked on the falling edge of SCK. See [Figure 29-9 on page 308](#) for timing details.

To program and verify the ATmega48PB/88PB/168PB in the serial programming mode, the following sequence is recommended (See Serial Programming Instruction set in [Table 29-17 on page 307](#)):

1. Power-up sequence:  
Apply power between  $V_{CC}$  and GND while  $\overline{RESET}$  and SCK are set to "0". In some systems, the programmer can not ensure that SCK is held low during power-up. In this case, RESET must be given a positive pulse of at least two CPU clock cycles duration after SCK has been set to "0".
2. Wait for at least 20ms and enable serial programming by sending the Programming Enable serial instruction to pin MOSI.
3. The serial programming instructions will not work if the communication is out of synchronization. When in sync, the second byte (0x53), will echo back when issuing the third byte of the Programming Enable instruction. Whether the echo is correct or not, all four bytes of the instruction must be transmitted. If the 0x53 did not echo back, give  $\overline{RESET}$  a positive pulse and issue a new Programming Enable command.
4. The Flash is programmed one page at a time. The memory page is loaded one byte at a time by supplying the 6 LSB of the address and data together with the Load Program Memory Page instruction. To ensure correct loading of the page, the data low byte must be loaded before data high byte is applied for a given address. The Program Memory Page is stored by loading the Write Program Memory Page instruction with the 7 MSB of the address. If polling ( $RDY/\overline{BSY}$ ) is not used, the user must wait at least  $t_{WD\_FLASH}$  before issuing the next page (See [Table 29-16](#)). Accessing the serial programming interface before the Flash write operation completes can result in incorrect programming.
5. **A:** The EEPROM array is programmed one byte at a time by supplying the address and data together with the appropriate Write instruction. An EEPROM memory location is first automatically erased before new data is written. If polling ( $RDY/\overline{BSY}$ ) is not used, the user must wait at least  $t_{WD\_EEPROM}$  before issuing the next byte (See [Table 29-16](#)). In a chip erased device, no 0xFFs in the data file(s) need to be programmed.  
**B:** The EEPROM array is programmed one page at a time. The Memory page is loaded one byte at a time by supplying the 6 LSB of the address and data together with the Load EEPROM Memory Page instruction. The EEPROM Memory Page is stored by loading the Write EEPROM Memory Page Instruction with the 7 MSB of the address. When using EEPROM page access only byte locations loaded with the Load EEPROM Memory Page instruction is altered. The remaining locations remain unchanged. If polling ( $RDY/\overline{BSY}$ ) is not used, the user must wait at least  $t_{WD\_EEPROM}$  before issuing the next byte (See [Table 29-16](#)). In a chip erased device, no 0xFF in the data file(s) need to be programmed.
6. Any memory location can be verified by using the Read instruction which returns the content at the selected address at serial output MISO.
7. At the end of the programming session,  $\overline{RESET}$  can be set high to commence normal operation.
8. Power-off sequence (if needed):  
Set RESET to "1".  
Turn  $V_{CC}$  power off.

**Table 29-16. Typical Wait Delay Before Writing the Next Flash or EEPROM Location**

| Symbol           | Minimum Wait Delay |
|------------------|--------------------|
| $t_{WD\_FLASH}$  | 2.6ms              |
| $t_{WD\_EEPROM}$ | 3.6ms              |
| $t_{WD\_ERASE}$  | 10.5ms             |

## 29.8.3 Serial Programming Instruction set

Table 29-17 and Figure 29-8 on page 308 describes the Instruction set.

**Table 29-17.** Serial Programming Instruction Set (Hexadecimal values)

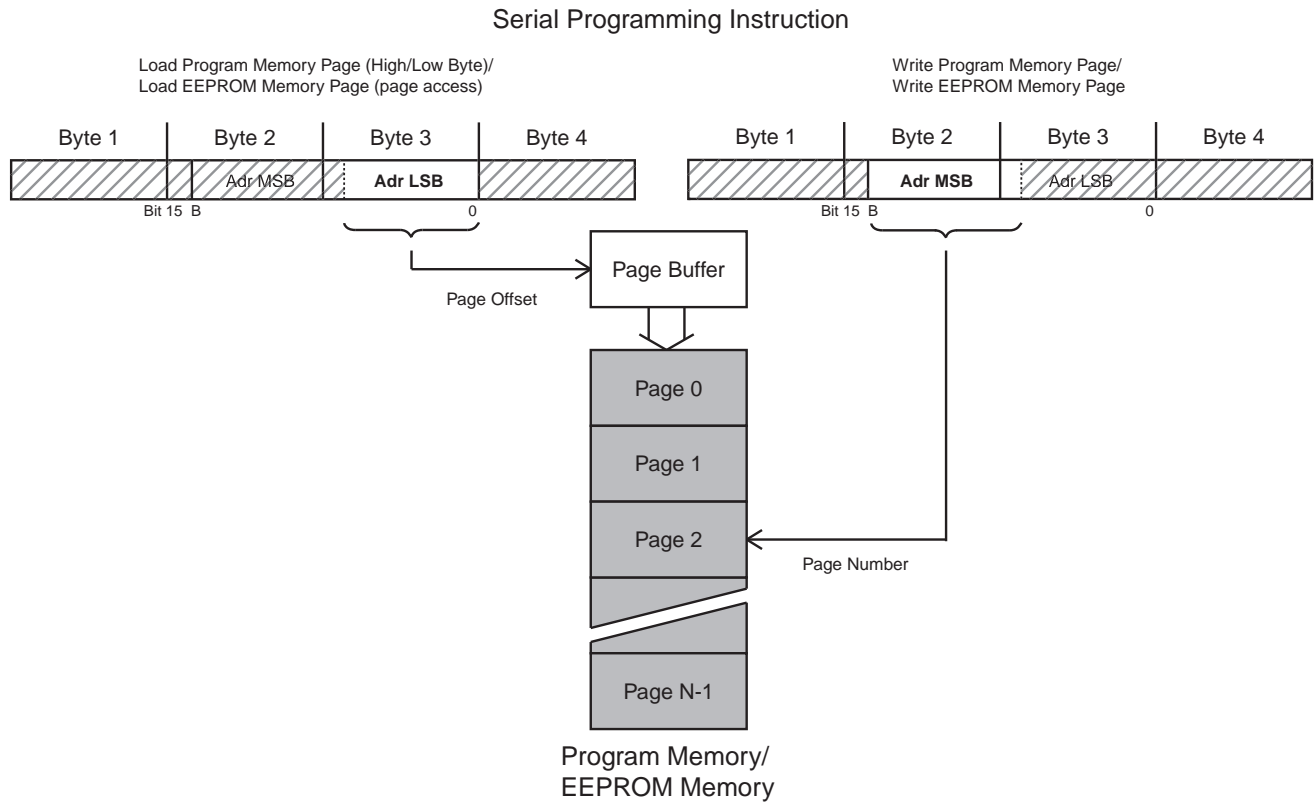
| Instruction/Operation                     | Instruction Format |                        |                        |                    |
|---|--------------------|------------------------|------------------------|--------------------|
|   | Byte 1             | Byte 2                 | Byte 3                 | Byte 4             |
| Programming Enable                        | \$AC               | \$53                   | \$00                   | \$00               |
| Chip Erase (Program Memory/EEPROM)        | \$AC               | \$80                   | \$00                   | \$00               |
| Poll RDY/BSY                              | \$F0               | \$00                   | \$00                   | data byte out      |
| <b>Load Instructions</b>                  |                    |                        |                        |                    |
| Load Extended Address byte <sup>(1)</sup> | \$4D               | \$00                   | Extended adr           | \$00               |
| Load Program Memory Page, High byte       | \$48               | \$00                   | adr LSB                | high data byte in  |
| Load Program Memory Page, Low byte        | \$40               | \$00                   | adr LSB                | low data byte in   |
| Load EEPROM Memory Page (page access)     | \$C1               | \$00                   | 0000 000aa             | data byte in       |
| <b>Read Instructions</b>                  |                    |                        |                        |                    |
| Read Program Memory, High byte            | \$28               | adr MSB                | adr LSB                | high data byte out |
| Read Program Memory, Low byte             | \$20               | adr MSB                | adr LSB                | low data byte out  |
| Read EEPROM Memory                        | \$A0               | 0000 00aa              | aaaa aaaa              | data byte out      |
| Read Lock bits                            | \$58               | \$00                   | \$00                   | data byte out      |
| Read Signature Byte                       | \$30               | \$00                   | 0000 000aa             | data byte out      |
| Read Fuse bits                            | \$50               | \$00                   | \$00                   | data byte out      |
| Read Fuse High bits                       | \$58               | \$08                   | \$00                   | data byte out      |
| Read Extended Fuse Bits                   | \$50               | \$08                   | \$00                   | data byte out      |
| Read Calibration Byte                     | \$38               | \$00                   | \$00                   | data byte out      |
| <b>Write Instructions<sup>(6)</sup></b>   |                    |                        |                        |                    |
| Write Program Memory Page                 | \$4C               | adr MSB <sup>(8)</sup> | adr LSB <sup>(8)</sup> | \$00               |
| Write EEPROM Memory                       | \$C0               | 0000 00aa              | aaaa aaaa              | data byte in       |
| Write EEPROM Memory Page (page access)    | \$C2               | 0000 00aa              | aaaa aa00              | \$00               |
| Write Lock bits                           | \$AC               | \$E0                   | \$00                   | data byte in       |
| Write Fuse bits                           | \$AC               | \$A0                   | \$00                   | data byte in       |
| Write Fuse High bits                      | \$AC               | \$A8                   | \$00                   | data byte in       |
| Write Extended Fuse Bits                  | \$AC               | \$A4                   | \$00                   | data byte in       |

- Notes:
1. Not all instructions are applicable for all parts.
  2. a = address.
  3. Bits are programmed '0', unprogrammed '1'.
  4. To ensure future compatibility, unused Fuses and Lock bits should be unprogrammed ('1').
  5. Refer to the corresponding section for Fuse and Lock bits, Calibration and Signature bytes and Page size.
  6. Instructions accessing program memory use a word address. This address may be random within the page range.
  7. See [www.microchip.com](http://www.microchip.com) for Application Notes regarding programming and programmers.
  8. WORDS.

If the LSB in RDY/BSY data byte out is '1', a programming operation is still pending. Wait until this bit returns '0' before the next instruction is carried out.

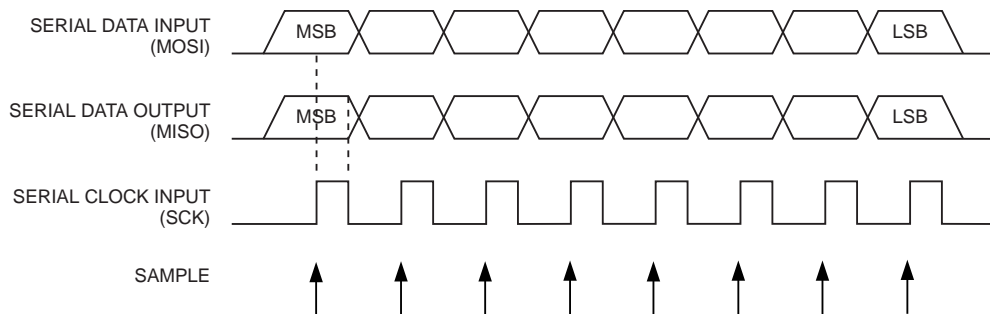
Within the same page, the low data byte must be loaded prior to the high data byte.  
 After data is loaded to the page buffer, program the EEPROM page, see [Figure 29-8](#).

**Figure 29-8. Serial Programming Instruction example**



## 29.8.4 SPI Serial Programming Characteristics

**Figure 29-9. Serial Programming Waveforms**



## 30. Electrical Characteristics

### 30.1 Absolute Maximum Ratings\*

|  |                        |
|--|------------------------|
| Operating Temperature . . . . .  | -55°C to +125°C        |
| Storage Temperature . . . . .  | -65°C to +150°C        |
| Voltage on any Pin except $\overline{\text{RESET}}$ with respect to Ground . . . . . | -0.5V to $V_{CC}+0.5V$ |
| Voltage on $\overline{\text{RESET}}$ with respect to Ground . . . . .                | -0.5V to +13.0V        |
| Maximum Operating Voltage . . . . .  | 6.0V                   |
| DC Current per I/O Pin . . . . .   | 40.0mA                 |
| DC Current $V_{CC}$ and GND Pins . . . . .   | 200.0mA                |

\*NOTICE: Stresses beyond those listed under “Absolute Maximum Ratings” may cause permanent damage to the device. This is a stress rating only and functional operation of the device at these or other conditions beyond those indicated in the operational sections of this specification is not implied. Exposure to absolute maximum rating conditions for extended periods may affect device reliability.

\*NOTICE: During parallel programming, a 12V signal is connected to the Reset pin. There is therefore no internal protection diode from the Reset pin to  $V_{CC}$ . To achieve the same protection on the Reset pin as on other I/O pins, external protection should be added.

### 30.2 DC Characteristics

**Table 30-1. Common DC characteristics  $T_A = -40^\circ\text{C}$  to  $105^\circ\text{C}$ ,  $V_{CC} = 1.8\text{V}$  to  $5.5\text{V}$  (unless otherwise noted)**

| Symbol    | Parameter  | Condition  | Min.                                   | Typ. | Max.                                   | Units |   |
|-----------|--|--|--|------|--|-------|---|
| $V_{IL}$  | Input Low Voltage, except XTAL1 and $\overline{\text{RESET}}$ pin      | $V_{CC} = 1.8\text{V} - 2.4\text{V}$<br>$V_{CC} = 2.4\text{V} - 5.5\text{V}$ | -0.5<br>-0.5                           | —    | $0.2V_{CC}^{(1)}$<br>$0.3V_{CC}^{(1)}$ | V     |   |
| $V_{IH}$  | Input High Voltage, except XTAL1 and $\overline{\text{RESET}}$ pins    | $V_{CC} = 1.8\text{V} - 2.4\text{V}$<br>$V_{CC} = 2.4\text{V} - 5.5\text{V}$ | $0.7V_{CC}^{(2)}$<br>$0.6V_{CC}^{(2)}$ | —    | $V_{CC} + 0.5$<br>$V_{CC} + 0.5$       | V     |   |
| $V_{IL1}$ | Input Low Voltage, XTAL1 pin   | $V_{CC} = 1.8\text{V} - 5.5\text{V}$   | -0.5                                   | —    | $0.1V_{CC}^{(1)}$                      | V     |   |
| $V_{IH1}$ | Input High Voltage, XTAL1 pin  | $V_{CC} = 1.8\text{V} - 2.4\text{V}$<br>$V_{CC} = 2.4\text{V} - 5.5\text{V}$ | $0.8V_{CC}^{(2)}$<br>$0.7V_{CC}^{(2)}$ | —    | $V_{CC} + 0.5$<br>$V_{CC} + 0.5$       | V     |   |
| $V_{IL2}$ | Input Low Voltage, $\overline{\text{RESET}}$ pin                       | $V_{CC} = 1.8\text{V} - 5.5\text{V}$   | -0.5                                   | —    | $0.1V_{CC}^{(1)}$                      | V     |   |
| $V_{IH2}$ | Input High Voltage, $\overline{\text{RESET}}$ pin                      | $V_{CC} = 1.8\text{V} - 5.5\text{V}$   | $0.9V_{CC}^{(2)}$                      | —    | $V_{CC} + 0.5$                         | V     |   |
| $V_{IL3}$ | Input Low Voltage, $\overline{\text{RESET}}$ pin as I/O                | $V_{CC} = 1.8\text{V} - 2.4\text{V}$<br>$V_{CC} = 2.4\text{V} - 5.5\text{V}$ | -0.5<br>-0.5                           | —    | $0.2V_{CC}^{(1)}$<br>$0.3V_{CC}^{(1)}$ | V     |   |
| $V_{IH3}$ | Input High Voltage, $\overline{\text{RESET}}$ pin as I/O               | $V_{CC} = 1.8\text{V} - 2.4\text{V}$<br>$V_{CC} = 2.4\text{V} - 5.5\text{V}$ | $0.7V_{CC}^{(2)}$<br>$0.6V_{CC}^{(2)}$ | —    | $V_{CC} + 0.5$<br>$V_{CC} + 0.5$       | V     |   |
| $V_{OL}$  | Output Low Voltage <sup>(4)</sup> except $\overline{\text{RESET}}$ pin | $I_{OL} = 20\text{mA}$ , $V_{CC} = 5\text{V}$                                | $T_A = 85^\circ\text{C}$               | —    | —                                      | 0.9   | V |
|           |  |  | $T_A = 105^\circ\text{C}$              | —    | —                                      | 1.0   | V |
|           |  | $I_{OL} = 10\text{mA}$ , $V_{CC} = 3\text{V}$                                | $T_A = 85^\circ\text{C}$               | —    | —                                      | 0.6   | V |
|           |  |  | $T_A = 105^\circ\text{C}$              | —    | —                                      | 0.7   | V |

**Table 30-1. Common DC characteristics  $T_A = -40^{\circ}\text{C}$  to  $105^{\circ}\text{C}$ ,  $V_{CC} = 1.8\text{V}$  to  $5.5\text{V}$  (unless otherwise noted) (Continued)**

| Symbol     | Parameter  | Condition  | Min.                        | Typ. | Max. | Units            |   |
|------------|--|--|-----------------------------|------|------|------------------|---|
| $V_{OH}$   | Output High Voltage <sup>(3)</sup><br>except Reset pin | $I_{OH} = -20\text{mA}$ , $V_{CC} = 5\text{V}$                                 | $T_A = 85^{\circ}\text{C}$  | 4.0  | —    | —                | V |
|            |  |  | $T_A = 105^{\circ}\text{C}$ | 3.9  | —    | —                | V |
|            |  | $I_{OH} = -10\text{mA}$ , $V_{CC} = 3\text{V}$                                 | $T_A = 85^{\circ}\text{C}$  | 2.1  | —    | —                | V |
|            |  |  | $T_A = 105^{\circ}\text{C}$ | 2.0  | —    | —                | V |
| $I_{IL}$   | Input Leakage Current I/O Pin                          | $V_{CC} = 5.5\text{V}$ , pin low<br>(absolute value)                           | —                           | —    | 1    | $\mu\text{A}$    |   |
| $I_{IH}$   | Input Leakage Current I/O Pin                          | $V_{CC} = 5.5\text{V}$ , pin high<br>(absolute value)                          | —                           | —    | 1    | $\mu\text{A}$    |   |
| $R_{RST}$  | Reset Pull-up Resistor                                 |  | 30                          | —    | 60   | $\text{k}\Omega$ |   |
| $R_{PU}$   | I/O Pin Pull-up Resistor                               |  | 20                          | —    | 50   | $\text{k}\Omega$ |   |
| $V_{ACIO}$ | Analog Comparator Input Offset Voltage                 | $V_{CC} = 1.8\text{-}5\text{V}$<br>$0\text{V} < V_{in} < V_{CC} - 0.1\text{V}$ | —                           | <10  | 40   | mV               |   |
| $I_{ACLK}$ | Analog Comparator Input Leakage Current                | $V_{CC} = 5\text{V}$<br>$V_{in} = V_{CC}/2$                                    | -50                         | —    | 50   | nA               |   |
| $t_{ACID}$ | Analog Comparator Propagation Delay                    |  | —                           | 400  | —    | ns               |   |

- Notes:
1. "Max" means the highest value where the pin is ensured to be read as low
  2. "Min." means the lowest value where the pin is ensured to be read as high
  3. Although each I/O port can source more than the test conditions (20mA at  $V_{CC} = 5\text{V}$ , 10mA at  $V_{CC} = 3\text{V}$ ) under steady state conditions (non-transient), the following must be observed:
    - 1] The sum of all  $I_{OH}$ , for ports C0 - C5, D0 - D4, ADC7, RESET should not exceed 100mA.
    - 2] The sum of all  $I_{OH}$ , for ports B0 - B5, D5 - D7, XTAL1, XTAL2 should not exceed 100mA.
 If  $I_{OH}$  exceeds the test condition,  $V_{OH}$  may exceed the related specification. Pins are not ensured to source current greater than the listed test condition.
  4. Although each I/O port can sink more than the test conditions (20mA at  $V_{CC} = 5\text{V}$ , 10mA at  $V_{CC} = 3\text{V}$ ) under steady state conditions (non-transient), the following must be observed:
    - 1] The sum of all  $I_{OL}$ , for ports C0 - C5, ADC7, ADC6 should not exceed 100mA.
    - 2] The sum of all  $I_{OL}$ , for ports B0 - B5, D5 - D7, XTAL1, XTAL2 should not exceed 100mA.
    - 3] The sum of all  $I_{OL}$ , for ports D0 - D4, RESET should not exceed 100mA.
 If  $I_{OL}$  exceeds the test condition,  $V_{OL}$  may exceed the related specification. Pins are not ensured to sink current greater than the listed test condition.

## 30.2.1 ATmega48PB/88PB DC Characteristics

**Table 30-2. ATmega48PB/88PB DC characteristics -  $T_A = -40^{\circ}\text{C}$  to  $105^{\circ}\text{C}$ ,  $V_{CC} = 1.8\text{V}$  to  $5.5\text{V}$  (unless otherwise noted)**

| Symbol                                   | Parameter                           | Condition                                  | Min.                      | Typ. <sup>(2)</sup> | Max.  | Units |               |
|--|-------------------------------------|--|---------------------------|---------------------|-------|-------|---------------|
| $I_{CC}$                                 | Power Supply Current <sup>(1)</sup> | Active 1MHz, $V_{CC} = 2\text{V}$          | $T = 85^{\circ}\text{C}$  | —                   | 0.21  | 0.5   | mA            |
|  |                                     |  | $T = 105^{\circ}\text{C}$ | —                   | 0.21  | 0.6   |               |
|  |                                     | Active 4MHz, $V_{CC} = 3\text{V}$          | $T = 85^{\circ}\text{C}$  | —                   | 1.27  | 2.5   |               |
|  |                                     |  | $T = 105^{\circ}\text{C}$ | —                   | 1.27  | 2.75  |               |
|  |                                     | Active 8MHz, $V_{CC} = 5\text{V}$          | $T = 85^{\circ}\text{C}$  | —                   | 4.61  | 9     |               |
|  |                                     |  | $T = 105^{\circ}\text{C}$ | —                   | 4.61  | 10    |               |
|  |                                     | Idle 1MHz, $V_{CC} = 2\text{V}$            | $T = 85^{\circ}\text{C}$  | —                   | 0.035 | 0.15  |               |
|  |                                     |  | $T = 105^{\circ}\text{C}$ | —                   | 0.035 | 0.17  |               |
|  | Idle 4MHz, $V_{CC} = 3\text{V}$     | $T = 85^{\circ}\text{C}$                   | —                         | 0.22                | 0.7   |       |               |
|  |                                     | $T = 105^{\circ}\text{C}$                  | —                         | 0.22                | 0.8   |       |               |
|  | Idle 8MHz, $V_{CC} = 5\text{V}$     | $T = 85^{\circ}\text{C}$                   | —                         | 0.84                | 2.7   |       |               |
|  |                                     | $T = 105^{\circ}\text{C}$                  | —                         | 0.84                | 3     |       |               |
|  | Power-save mode <sup>(3)</sup>      | 32kHz TOSC enabled, $V_{CC} = 1.8\text{V}$ | $T = 85^{\circ}\text{C}$  | —                   | 1.42  | —     | $\mu\text{A}$ |
|  |                                     |  | $T = 105^{\circ}\text{C}$ | —                   | 1.42  | —     |               |
| 32kHz TOSC enabled, $V_{CC} = 3\text{V}$ |                                     | $T = 85^{\circ}\text{C}$                   | —                         | 1.62                | —     |       |               |
|  |                                     | $T = 105^{\circ}\text{C}$                  | —                         | 1.62                | —     |       |               |
| Power-down mode <sup>(3)(4)</sup>        | WDT enabled, $V_{CC} = 3\text{V}$   | $T = 85^{\circ}\text{C}$                   | —                         | 2.62                | 8     |       |               |
|  |                                     | $T = 105^{\circ}\text{C}$                  | —                         | 2.62                | 10    |       |               |
|  | WDT disabled, $V_{CC} = 3\text{V}$  | $T = 85^{\circ}\text{C}$                   | —                         | 0.53                | 2     |       |               |
|  |                                     | $T = 105^{\circ}\text{C}$                  | —                         | 0.53                | 5     |       |               |

- Notes:
1. Values with "Minimizing Power Consumption" on page 41 enabled (0xFF).
  2. Typical values at  $25^{\circ}\text{C}$ . Maximum values are test limits in production.
  3. The current consumption values include input leakage current.
  4. No clk is applied to the pad during power-down mode.

## 30.2.2 ATmega168PB DC Characteristics

**Table 30-3. ATmega168PB DC characteristics -  $T_A = -40^{\circ}\text{C}$  to  $105^{\circ}\text{C}$ ,  $V_{CC} = 1.8\text{V}$  to  $5.5\text{V}$  (unless otherwise noted)**

| Symbol                                   | Parameter                           | Condition                                  | Min.                      | Typ. <sup>(2)</sup> | Max. | Units |               |
|--|-------------------------------------|--|---------------------------|---------------------|------|-------|---------------|
| $I_{CC}$                                 | Power Supply Current <sup>(1)</sup> | Active 1MHz, $V_{CC} = 2\text{V}$          | $T = 85^{\circ}\text{C}$  | —                   | 0.35 | 0.5   | mA            |
|  |                                     |  | $T = 105^{\circ}\text{C}$ | —                   | 0.35 | 0.6   |               |
|  |                                     | Active 4MHz, $V_{CC} = 3\text{V}$          | $T = 85^{\circ}\text{C}$  | —                   | 0.9  | 2.5   |               |
|  |                                     |  | $T = 105^{\circ}\text{C}$ | —                   | 0.9  | 2.75  |               |
|  |                                     | Active 8MHz, $V_{CC} = 5\text{V}$          | $T = 85^{\circ}\text{C}$  | —                   | 5.0  | 9     |               |
|  |                                     |  | $T = 105^{\circ}\text{C}$ | —                   | 5.0  | 10    |               |
|  |                                     | Idle 1MHz, $V_{CC} = 2\text{V}$            | $T = 85^{\circ}\text{C}$  | —                   | 0.06 | 0.15  |               |
|  |                                     |  | $T = 105^{\circ}\text{C}$ | —                   | 0.06 | 0.2   |               |
|  | Idle 4MHz, $V_{CC} = 3\text{V}$     | $T = 85^{\circ}\text{C}$                   | —                         | 0.37                | 0.7  |       |               |
|  |                                     | $T = 105^{\circ}\text{C}$                  | —                         | 0.37                | 0.8  |       |               |
|  | Idle 8MHz, $V_{CC} = 5\text{V}$     | $T = 85^{\circ}\text{C}$                   | —                         | 1.4                 | 2.7  |       |               |
|  |                                     | $T = 105^{\circ}\text{C}$                  | —                         | 1.4                 | 3.0  |       |               |
|  | Power-save mode <sup>(3)</sup>      | 32kHz TOSC enabled, $V_{CC} = 1.8\text{V}$ | $T = 85^{\circ}\text{C}$  | —                   | 1.38 | —     | $\mu\text{A}$ |
|  |                                     |  | $T = 105^{\circ}\text{C}$ | —                   | 1.38 | —     |               |
| 32kHz TOSC enabled, $V_{CC} = 3\text{V}$ |                                     | $T = 85^{\circ}\text{C}$                   | —                         | 1.54                | —    |       |               |
|  |                                     | $T = 105^{\circ}\text{C}$                  | —                         | 1.54                | —    |       |               |
| Power-down mode <sup>(3)(4)</sup>        | WDT enabled, $V_{CC} = 3\text{V}$   | $T = 85^{\circ}\text{C}$                   | —                         | 2.43                | 8    |       |               |
|  |                                     | $T = 105^{\circ}\text{C}$                  | —                         | 2.43                | 10   |       |               |
|  | WDT disabled, $V_{CC} = 3\text{V}$  | $T = 85^{\circ}\text{C}$                   | —                         | 0.21                | 2    |       |               |
|  |                                     | $T = 105^{\circ}\text{C}$                  | —                         | 0.21                | 5    |       |               |

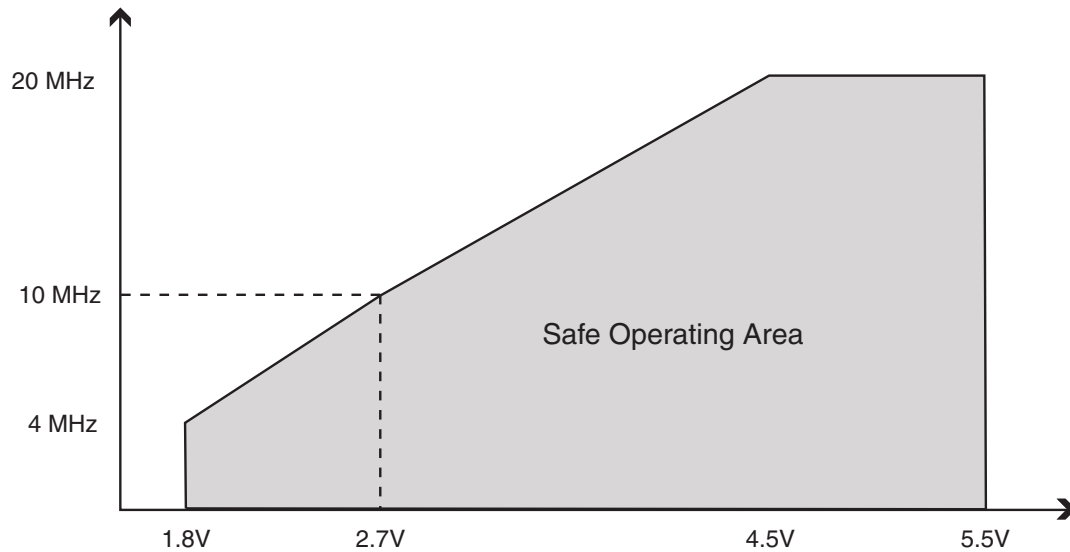
- Notes:
1. Values with "Minimizing Power Consumption" on page 41 enabled (0xFF).
  2. Typical values at  $25^{\circ}\text{C}$ . Maximum values are test limits in production.
  3. The current consumption values include input leakage current.
  4. No clk is applied to the pad during power-down mode.



### 30.3 Speed Grades

Maximum frequency is dependent on  $V_{CC}$ . As shown in [Figure 30-1](#), the Maximum Frequency vs.  $V_{CC}$  curve is linear between  $1.8V < V_{CC} < 2.7V$  and between  $2.7V < V_{CC} < 4.5V$ .

**Figure 30-1. Maximum Frequency vs.  $V_{CC}$**



## 30.4 Clock Characteristics

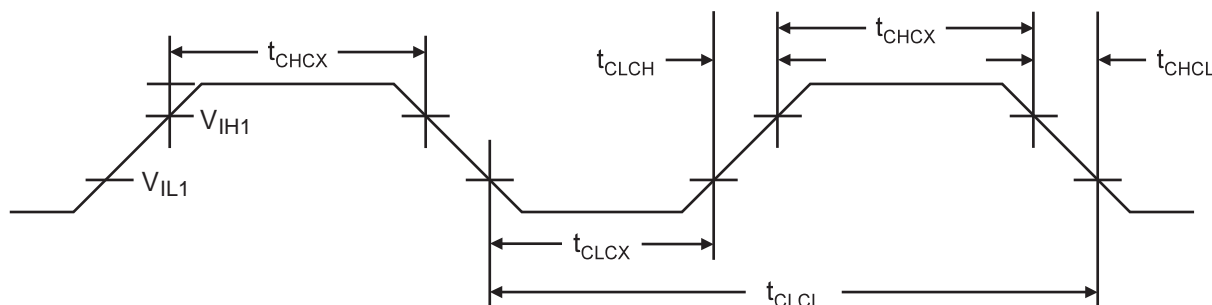
### 30.4.1 Calibrated Internal RC Oscillator Accuracy

**Table 30-4. Calibration Accuracy of Internal RC Oscillator**

|                     | Frequency    | V <sub>CC</sub> | Temperature     | Calibration Accuracy |
|---------------------|--------------|-----------------|-----------------|----------------------|
| Factory Calibration | 8.0MHz       | 2.7V-4.2V       | 0°C to +50°C    | ±2%                  |
|                     | 8.0MHz       | 1.8V-5.5V       | 0°C to +70°C    | ±3.5%                |
|                     | 8.0MHz       | 1.8V-5.5V       | -40°C to +105°C | ±5%                  |
| User Calibration    | 7.3 - 8.1MHz | 1.8V - 5.5V     | -40°C to - 85°C | ±1%                  |

### 30.4.2 External Clock Drive Waveforms

**Figure 30-2. External Clock Drive Waveforms**



### 30.4.3 External Clock Drive

**Table 30-5. External Clock Drive**

| Symbol            | Parameter   | V <sub>CC</sub> = 1.8 - 5.5V |      | V <sub>CC</sub> = 2.7 - 5.5V |      | V <sub>CC</sub> = 4.5 - 5.5V |      | Units |
|-------------------|---|------------------------------|------|------------------------------|------|------------------------------|------|-------|
|                   |   | Min.                         | Max. | Min.                         | Max. | Min.                         | Max. |       |
| $1/t_{CLCL}$      | Oscillator Frequency                              | 0                            | 4    | 0                            | 10   | 0                            | 20   | MHz   |
| $t_{CLCL}$        | Clock Period                                      | 250                          | —    | 100                          | —    | 50                           | —    | ns    |
| $t_{CHCX}$        | High Time   | 100                          | —    | 40                           | —    | 20                           | —    | ns    |
| $t_{CLCX}$        | Low Time  | 100                          | —    | 40                           | —    | 20                           | —    | ns    |
| $t_{CLCH}$        | Rise Time   | —                            | 2.0  | —                            | 1.6  | —                            | 0.5  | μs    |
| $t_{CHCL}$        | Fall Time   | —                            | 2.0  | —                            | 1.6  | —                            | 0.5  | μs    |
| $\Delta t_{CLCL}$ | Change in period from one clock cycle to the next | —                            | 2    | —                            | 2    | —                            | 2    | %     |

## 30.5 System and Reset Characteristics

**Table 30-6.** Reset, Brown-out and Internal Voltage Characteristics<sup>(1)</sup>

| Symbol            | Parameter   | Condition                                    | Min.                | Typ | Max                 | Units |
|-------------------|---|--|---------------------|-----|---------------------|-------|
| V <sub>POT</sub>  | Power-on Reset Threshold Voltage (rising)                 |  | 1.1                 | 1.5 | 1.7                 | V     |
|                   | Power-on Reset Threshold Voltage (falling) <sup>(2)</sup> |  | 0.6                 | 1.0 | 1.7                 | V     |
| SR <sub>ON</sub>  | Power-on Slope Rate                                       |  | 0.01                | —   | 9                   | V/ms  |
| V <sub>RST</sub>  | $\overline{\text{RESET}}$ Pin Threshold Voltage           |  | 0.2 V <sub>CC</sub> | —   | 0.9 V <sub>CC</sub> | V     |
| t <sub>RST</sub>  | Minimum pulse width on $\overline{\text{RESET}}$ Pin      |  | —                   | —   | 2.5                 | μs    |
| V <sub>HYST</sub> | Brown-out Detector Hysteresis                             |  | —                   | 50  | —                   | mV    |
| t <sub>BOD</sub>  | Min. Pulse Width on Brown-out Reset                       |  | —                   | 2   | —                   | μs    |
| V <sub>BG</sub>   | Bandgap reference voltage                                 | V <sub>CC</sub> =2.7<br>T <sub>A</sub> =25°C | 1.0                 | 1.1 | 1.2                 | V     |
| t <sub>BG</sub>   | Bandgap reference start-up time                           | V <sub>CC</sub> =2.7<br>T <sub>A</sub> =25°C | —                   | 40  | 70                  | μs    |
| I <sub>BG</sub>   | Bandgap reference current consumption                     | V <sub>CC</sub> =2.7<br>T <sub>A</sub> =25°C | —                   | 10  | —                   | μA    |

- Notes: 1. Values are guidelines only.  
 2. The Power-on Reset will not work unless the supply voltage has been below V<sub>POT</sub> (falling)

**Table 30-7.** BODLEVEL Fuse Coding<sup>(1)(2)</sup>

| BODLEVEL 2:0 Fuses | Min. V <sub>BOT</sub> | Typ V <sub>BOT</sub> | Max V <sub>BOT</sub> | Units |
|--------------------|-----------------------|----------------------|----------------------|-------|
| 111                | BOD Disabled          |                      |                      |       |
| 110                | 1.7                   | 1.8                  | 2.0                  | V     |
| 101                | 2.5                   | 2.7                  | 2.9                  |       |
| 100                | 4.1                   | 4.3                  | 4.5                  |       |
| 011                | Reserved              |                      |                      |       |
| 010                |                       |                      |                      |       |
| 001                |                       |                      |                      |       |
| 000                |                       |                      |                      |       |

- Notes: 1. V<sub>BOT</sub> may be below nominal minimum operating voltage for some devices. For devices where this is the case, the device is tested down to V<sub>CC</sub> = V<sub>BOT</sub> during the production test. This ensures that a Brown-Out Reset will occur before V<sub>CC</sub> drops to a voltage where correct operation of the microcontroller is no longer ensured. The test is performed using BODLEVEL = 110, 101 and 100.  
 2. V<sub>BOT</sub> tested at 25°C and 85°C in production

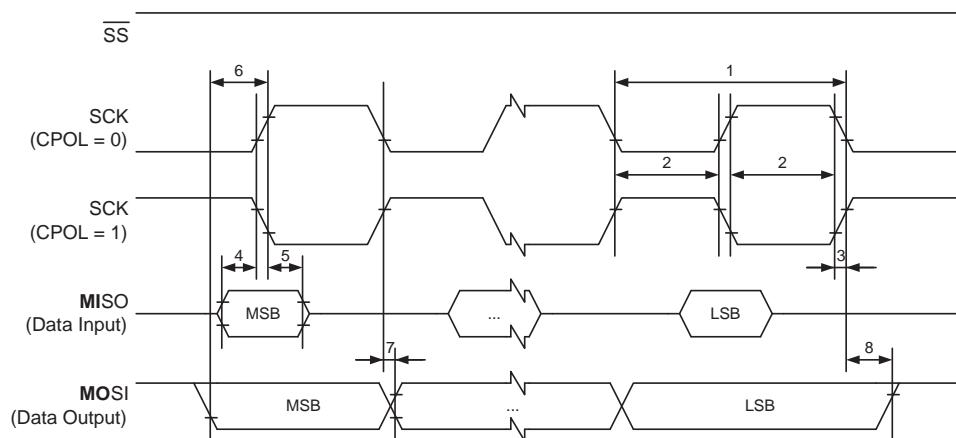
## 30.6 SPI Timing Characteristics

**Table 30-8. SPI Timing Parameters**

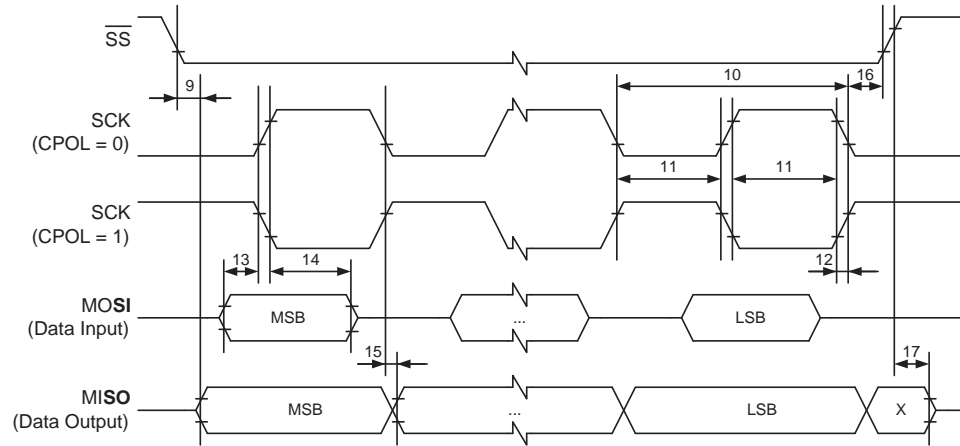
| Description                       | Mode   | Min.             | Typ                 | Max  | Units |
|-----------------------------------|--------|------------------|---------------------|------|-------|
| SCK period                        | Master | —                | See Table 20-5      | —    | ns    |
| SCK high/low                      | Master | —                | 50% duty cycle      | —    |       |
| Rise/Fall time                    | Master | —                | 3.6                 | —    |       |
| Setup                             | Master | —                | 10                  | —    |       |
| Hold                              | Master | —                | 10                  | —    |       |
| Out to SCK                        | Master | —                | $0.5 \cdot t_{sck}$ | —    |       |
| SCK to out                        | Master | —                | 10                  | —    |       |
| SCK to out high                   | Master | —                | 10                  | —    |       |
| $\overline{SS}$ low to out        | Slave  | —                | 15                  | —    |       |
| SCK period                        | Slave  | $4 \cdot t_{ck}$ | —                   | —    |       |
| SCK high/low <sup>(1)</sup>       | Slave  | $2 \cdot t_{ck}$ | —                   | —    |       |
| Rise/Fall time                    | Slave  | —                | —                   | 1600 |       |
| Setup                             | Slave  | 10               | —                   | —    |       |
| Hold                              | Slave  | $t_{ck}$         | —                   | —    |       |
| SCK to out                        | Slave  | —                | 15                  | —    |       |
| SCK to $\overline{SS}$ high       | Slave  | 20               | —                   | —    |       |
| $\overline{SS}$ high to tri-state | Slave  | —                | 10                  | —    |       |
| $\overline{SS}$ low to SCK        | Slave  | 20               | —                   | —    |       |

Note: 1. In SPI Programming mode the minimum SCK high/low period is:  
 -  $2 t_{CLCL}$  for  $f_{CK} < 12\text{MHz}$   
 -  $3 t_{CLCL}$  for  $f_{CK} > 12\text{MHz}$

**Figure 30-3. SPI Interface Timing Requirements (Master Mode)**



**Figure 30-4. SPI Interface Timing Requirements (Slave Mode)**



## 30.7 Two-wire Serial Interface Characteristics

Table 30-9 describes the requirements for devices connected to the 2-wire Serial Bus. The ATmega48PB/88PB and in ATmega168PB 2-wire Serial Interface meets or exceeds these requirements under the noted conditions.

Timing symbols refer to Figure 30-5.

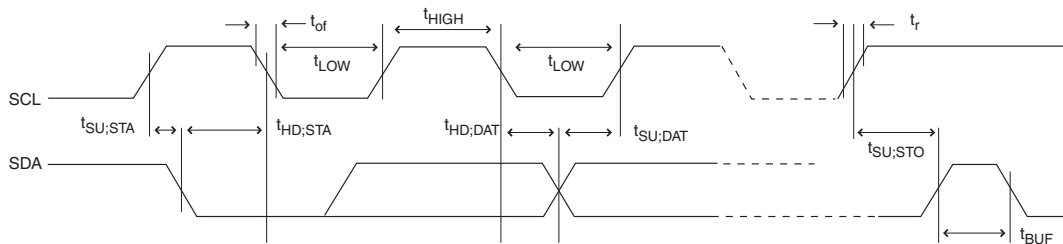
**Table 30-9. Two-wire Serial Bus Requirements**

| Symbol          | Parameter  | Condition                                      | Min.                        | Max                  | Units    |
|-----------------|--|--|-----------------------------|----------------------|----------|
| $V_{IL}$        | Input Low-voltage                                |  | -0.5                        | $0.3 V_{CC}$         | V        |
| $V_{IH}$        | Input High-voltage                               |  | $0.7 V_{CC}$                | $V_{CC} + 0.5$       | V        |
| $V_{hys}^{(1)}$ | Hysteresis of Schmitt Trigger Inputs             |  | $0.05 V_{CC}^{(2)}$         | –                    | V        |
| $V_{OL}^{(1)}$  | Output Low-voltage                               | 3mA sink current                               | 0                           | 0.4                  | V        |
| $t_r^{(1)}$     | Rise Time for both SDA and SCL                   |  | $20 + 0.1C_b^{(3)(2)}$      | 300                  | ns       |
| $t_{of}^{(1)}$  | Output Fall Time from $V_{IHmin}$ to $V_{ILmax}$ | $10pF < C_b < 400pF^{(3)}$                     | $20 + 0.1C_b^{(3)(2)}$      | 250                  | ns       |
| $t_{SP}^{(1)}$  | Spikes Suppressed by Input Filter                |  | 0                           | $50^{(2)}$           | ns       |
| $I_i$           | Input Current each I/O Pin                       | $0.1V_{CC} < V_i < 0.9V_{CC}$                  | -10                         | 10                   | $\mu A$  |
| $C_i^{(1)}$     | Capacitance for each I/O Pin                     |  | –                           | 10                   | pF       |
| $f_{SCL}$       | SCL Clock Frequency                              | $f_{CK}^{(4)} > \max(16f_{SCL}, 250kHz)^{(5)}$ | 0                           | 400                  | kHz      |
| $R_p$           | Value of Pull-up resistor                        | $f_{SCL} \leq 100kHz$                          | $\frac{V_{CC} - 0.4V}{3mA}$ | $\frac{1000ns}{C_b}$ | $\Omega$ |
|                 |  | $f_{SCL} > 100kHz$                             | $\frac{V_{CC} - 0.4V}{3mA}$ | $\frac{300ns}{C_b}$  | $\Omega$ |
| $t_{HD,STA}$    | Hold Time (repeated) START Condition             | $f_{SCL} \leq 100kHz$                          | 4.0                         | –                    | $\mu s$  |
|                 |  | $f_{SCL} > 100kHz$                             | 0.6                         | –                    | $\mu s$  |
| $t_{LOW}$       | Low Period of the SCL Clock                      | $f_{SCL} \leq 100kHz$                          | 4.7                         | –                    | $\mu s$  |
|                 |  | $f_{SCL} > 100kHz$                             | 1.3                         | –                    | $\mu s$  |
| $t_{HIGH}$      | High period of the SCL clock                     | $f_{SCL} \leq 100kHz$                          | 4.0                         | –                    | $\mu s$  |
|                 |  | $f_{SCL} > 100kHz$                             | 0.6                         | –                    | $\mu s$  |
| $t_{SU,STA}$    | Set-up time for a repeated START condition       | $f_{SCL} \leq 100kHz$                          | 4.7                         | –                    | $\mu s$  |
|                 |  | $f_{SCL} > 100kHz$                             | 0.6                         | –                    | $\mu s$  |
| $t_{HD,DAT}$    | Data hold time                                   | $f_{SCL} \leq 100kHz$                          | 0                           | 3.45                 | $\mu s$  |
|                 |  | $f_{SCL} > 100kHz$                             | 0                           | 0.9                  | $\mu s$  |
| $t_{SU,DAT}$    | Data setup time                                  | $f_{SCL} \leq 100kHz$                          | 250                         | –                    | ns       |
|                 |  | $f_{SCL} > 100kHz$                             | 100                         | –                    | ns       |
| $t_{SU,STO}$    | Setup time for STOP condition                    | $f_{SCL} \leq 100kHz$                          | 4.0                         | –                    | $\mu s$  |
|                 |  | $f_{SCL} > 100kHz$                             | 0.6                         | –                    | $\mu s$  |
| $t_{BUF}$       | Bus free time between a STOP and START condition | $f_{SCL} \leq 100kHz$                          | 4.7                         | –                    | $\mu s$  |
|                 |  | $f_{SCL} > 100kHz$                             | 1.3                         | –                    | $\mu s$  |

Notes: 1. This parameter is characterized and not 100% tested.

2. Required only for  $f_{SCL} > 100\text{kHz}$ .
3.  $C_b$  = capacitance of one bus line in pF.
4.  $f_{CK}$  = CPU clock frequency
5. This requirement applies to all 2-wire Serial Interface operation. Other devices connected to the 2-wire Serial Bus need only obey the general  $f_{SCL}$  requirement.

**Figure 30-5. Two-wire Serial Bus Timing**



## 30.8 ADC Characteristics

**Table 30-10. ADC Characteristics**

| Symbol          | Parameter   | Condition  | Min.           | Typ  | Max            | Units     |
|-----------------|---|--|----------------|------|----------------|-----------|
|                 | Resolution  |  | —              | 10   | —              | Bits      |
|                 | Absolute accuracy (Including INL, DNL, quantization error, gain and offset error) | $V_{REF} = 4V, V_{CC} = 4V,$<br>ADC clock = 200kHz                         | —              | 2    | —              | LSB       |
|                 |   | $V_{REF} = 4V, V_{CC} = 4V,$<br>ADC clock = 1MHz                           | —              | 4    | —              | LSB       |
|                 |   | $V_{REF} = 4V, V_{CC} = 4V,$<br>ADC clock = 200kHz<br>Noise Reduction Mode | —              | 2    | —              | LSB       |
|                 |   | $V_{REF} = 4V, V_{CC} = 4V,$<br>ADC clock = 1MHz<br>Noise Reduction Mode   | —              | 4    | —              | LSB       |
|                 | Integral Non-Linearity (INL)  | $V_{REF} = 4V, V_{CC} = 4V,$<br>ADC clock = 200kHz                         | —              | 0.5  | —              | LSB       |
|                 | Differential Non-Linearity (DNL)  | $V_{REF} = 4V, V_{CC} = 4V,$<br>ADC clock = 200kHz                         | —              | 0.25 | —              | LSB       |
|                 | Gain Error  | $V_{REF} = 4V, V_{CC} = 4V,$<br>ADC clock = 200kHz                         | —              | 2    | —              | LSB       |
|                 | Offset Error  | $V_{REF} = 4V, V_{CC} = 4V,$<br>ADC clock = 200kHz                         | —              | 2    | —              | LSB       |
|                 | Conversion Time   | Free Running Conversion  | 13             | —    | 260            | $\mu s$   |
|                 | Clock Frequency   |  | 50             | —    | 1000           | kHz       |
| $AV_{CC}^{(1)}$ | Analog Supply Voltage   |  | $V_{CC} - 0.3$ | —    | $V_{CC} + 0.3$ | V         |
| $V_{REF}$       | Reference Voltage   |  | 1.0            | —    | $AV_{CC}$      | V         |
| $V_{IN}$        | Input Voltage   |  | GND            | —    | $V_{REF}$      | V         |
|                 | Input Bandwidth   |  | —              | 38.5 | —              | kHz       |
| $V_{INT}$       | Internal Voltage Reference  |  | 1.0            | 1.1  | 1.2            | V         |
| $R_{REF}$       | Reference Input Resistance  |  | —              | 32   | —              | $k\Omega$ |
| $R_{AIN}$       | Analog Input Resistance   |  | —              | 100  | —              | $M\Omega$ |

Note: 1.  $AV_{CC}$  absolute min./max: 1.8V/5.5V



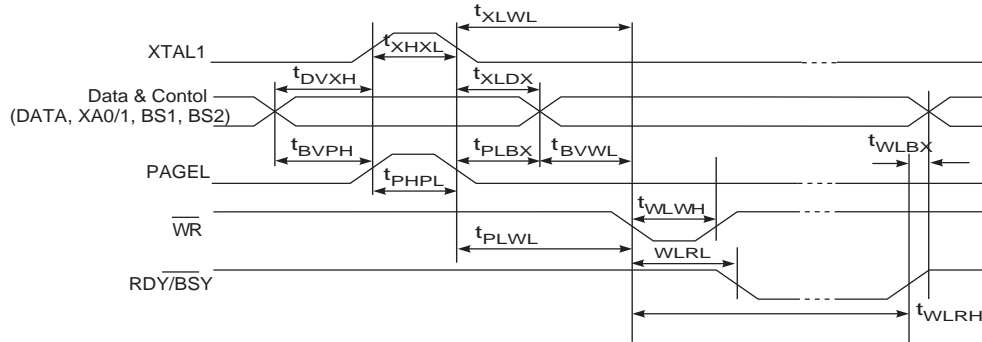
## 30.9 Parallel Programming Characteristics

**Table 30-11. Parallel Programming Characteristics,  $V_{CC} = 5V \pm 10\%$**

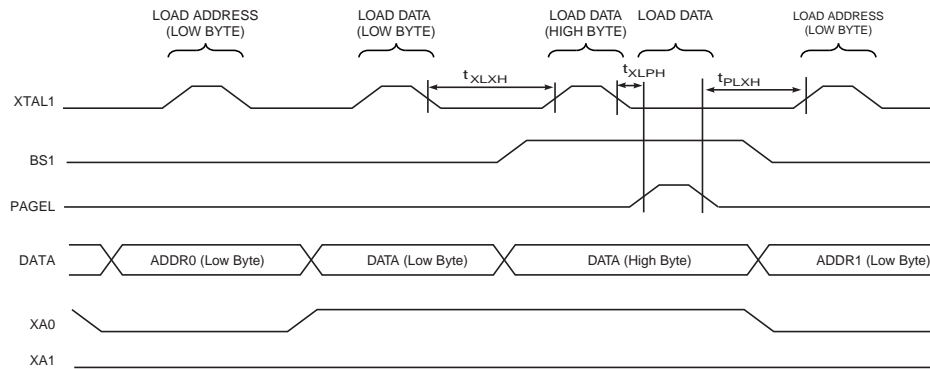
| Symbol         | Parameter   | Min. | Typ | Max  | Units   |
|----------------|---|------|-----|------|---------|
| $V_{PP}$       | Programming Enable Voltage  | 11.5 | —   | 12.5 | V       |
| $I_{PP}$       | Programming Enable Current  | —    | —   | 250  | $\mu A$ |
| $t_{DVXH}$     | Data and Control Valid before XTAL1 High  | 67   | —   | —    | ns      |
| $t_{XLXH}$     | XTAL1 Low to XTAL1 High   | 200  | —   | —    | ns      |
| $t_{XHXL}$     | XTAL1 Pulse Width High  | 150  | —   | —    | ns      |
| $t_{XLDX}$     | Data and Control Hold after XTAL1 Low   | 67   | —   | —    | ns      |
| $t_{XLWL}$     | XTAL1 Low to $\overline{WR}$ Low  | 0    | —   | —    | ns      |
| $t_{XLPH}$     | XTAL1 Low to PAgEL high   | 0    | —   | —    | ns      |
| $t_{PLXH}$     | PAGEL low to XTAL1 high   | 150  | —   | —    | ns      |
| $t_{BVPH}$     | BS1 Valid before PAgEL High   | 67   | —   | —    | ns      |
| $t_{PHPL}$     | PAGEL Pulse Width High  | 150  | —   | —    | ns      |
| $t_{PLBX}$     | BS1 Hold after PAgEL Low  | 67   | —   | —    | ns      |
| $t_{WLBX}$     | BS2/1 Hold after RDY/ $\overline{BSY}$ high                                     | 67   | —   | —    | ns      |
| $t_{PLWL}$     | PAGEL Low to $\overline{WR}$ Low  | 67   | —   | —    | ns      |
| $t_{BVWL}$     | BS1 Valid to $\overline{WR}$ Low  | 67   | —   | —    | ns      |
| $t_{WLWH}$     | $\overline{WR}$ Pulse Width Low   | 150  | —   | —    | ns      |
| $t_{WLRl}$     | $\overline{WR}$ Low to RDY/ $\overline{BSY}$ Low                                | 0    | —   | 1    | $\mu s$ |
| $t_{WLRH}$     | $\overline{WR}$ Low to RDY/ $\overline{BSY}$ High <sup>(1)</sup>                | 3.2  | —   | 3.4  | ms      |
| $t_{WLRH\_CE}$ | $\overline{WR}$ Low to RDY/ $\overline{BSY}$ High for Chip Erase <sup>(2)</sup> | 9.8  | —   | 10.5 | ms      |
| $t_{XLOL}$     | XTAL1 Low to $\overline{OE}$ Low  | 0    | —   | —    | ns      |
| $t_{BVDV}$     | BS1 Valid to DATA valid   | 0    | —   | 350  | ns      |
| $t_{OLDV}$     | $\overline{OE}$ Low to DATA Valid   | —    | —   | 350  | ns      |
| $t_{OHDZ}$     | $\overline{OE}$ High to DATA Tri-stated   | —    | —   | 250  | ns      |

- Notes: 1.  $t_{WLRH}$  is valid for the Write Flash, Write EEPROM, Write Fuse bits and Write Lock bits commands.  
 2.  $t_{WLRH\_CE}$  is valid for the Chip Erase command.

**Figure 30-6. Parallel Programming Timing, Including some General Timing Requirements**

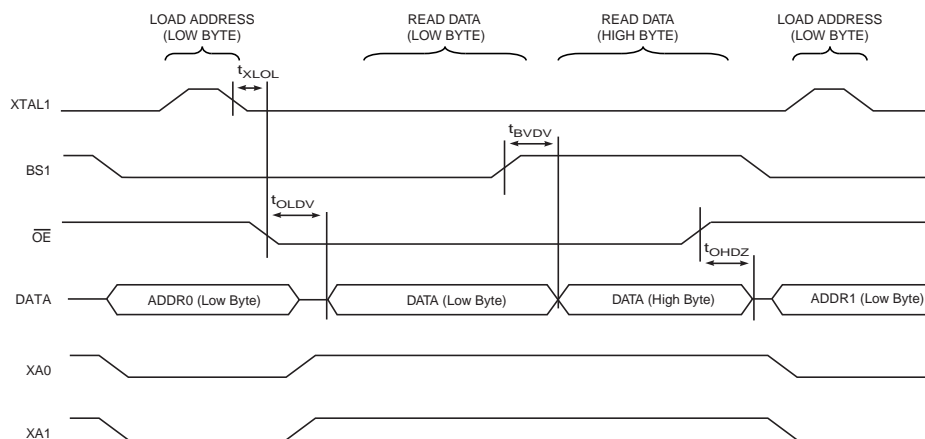


**Figure 30-7. Parallel Programming Timing, Loading Sequence with Timing Requirements<sup>(1)</sup>**



Note: 1. The timing requirements shown in "Parallel Programming Characteristics" on page 321 (i.e.,  $t_{DVXH}$ ,  $t_{XHL}$ , and  $t_{XLDX}$ ) also apply to loading operation.

**Figure 30-8. Parallel Programming Timing, Reading Sequence (within the Same Page) with Timing Requirements<sup>(1)</sup>**



Note: 1. The timing requirements shown in "Parallel Programming Characteristics" on page 321 (i.e.,  $t_{DVXH}$ ,  $t_{XHL}$ , and  $t_{XLDX}$ ) also apply to reading operation.

## 31. Typical Characteristics

### 31.1 ATmega48PB/88PB Typical Characteristics

#### 31.1.1 Active Supply Current

Figure 31-1. ATmega48PB/88PB: Active Supply Current vs. Low Frequency (0.1-1.0MHz)

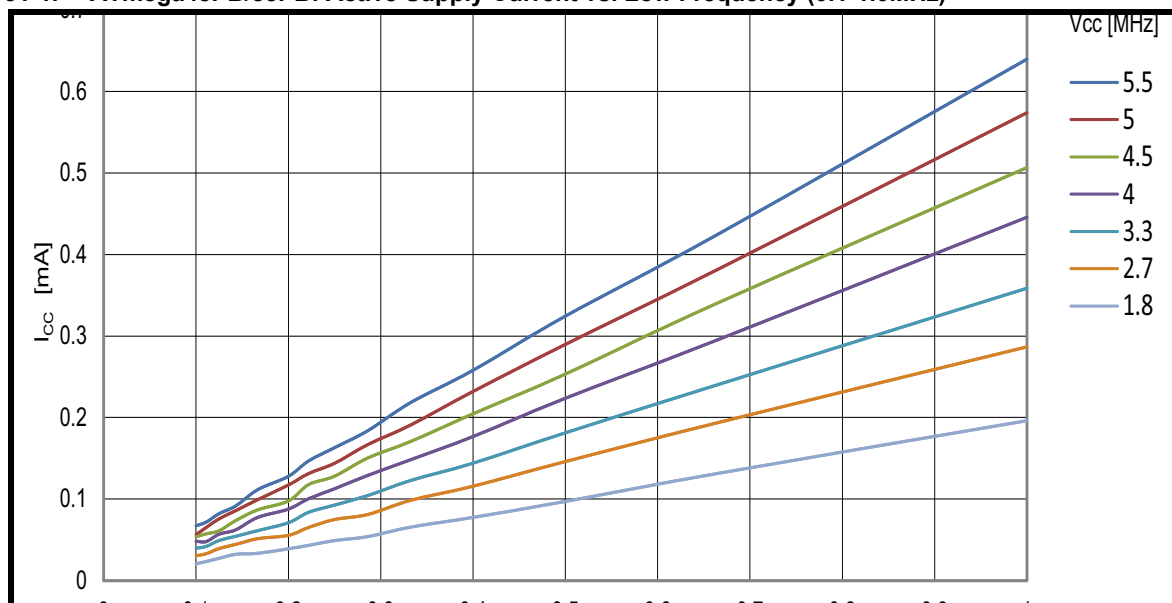
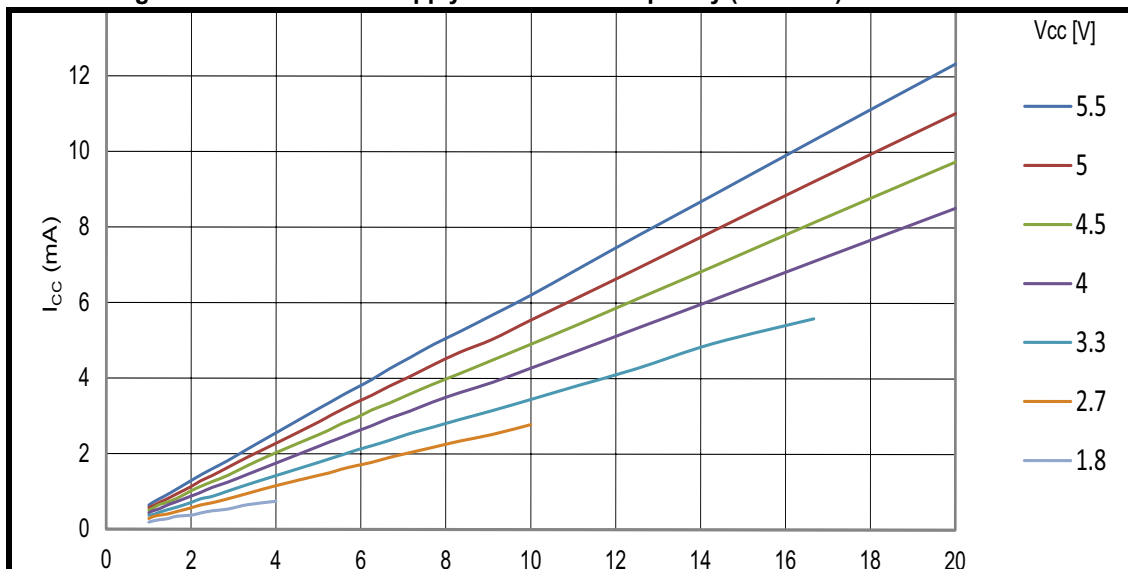
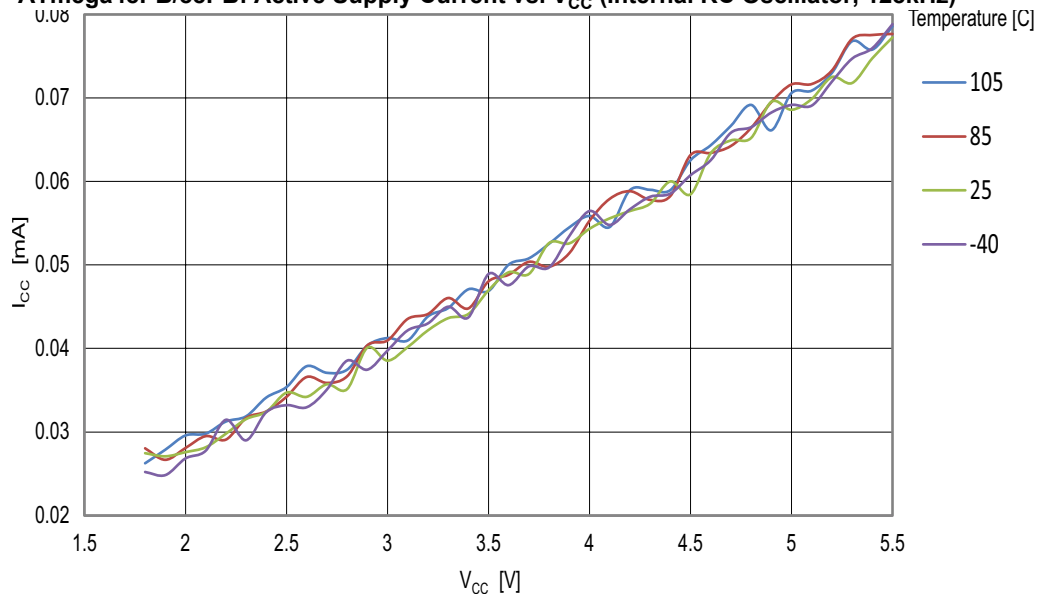


Figure 31-2. ATmega48PB/88PB: Active Supply Current vs. Frequency (1-20MHz)



**Figure 31-3. ATmega48PB/88PB: Active Supply Current vs.  $V_{CC}$  (Internal RC Oscillator, 128kHz)**



**Figure 31-4. ATmega48PB/88PB: Active Supply Current vs.  $V_{CC}$  (Internal RC Oscillator, 1MHz)**

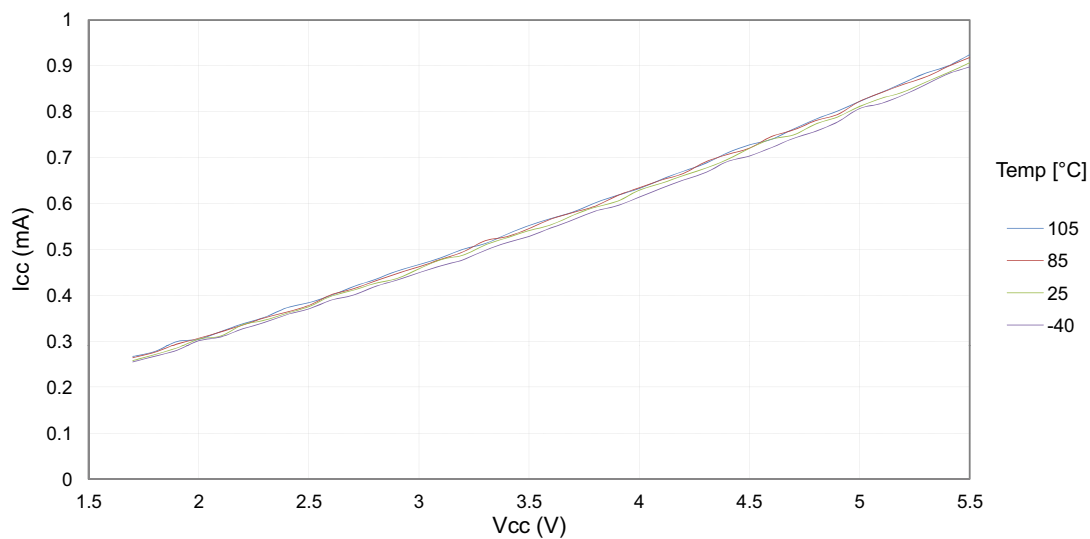
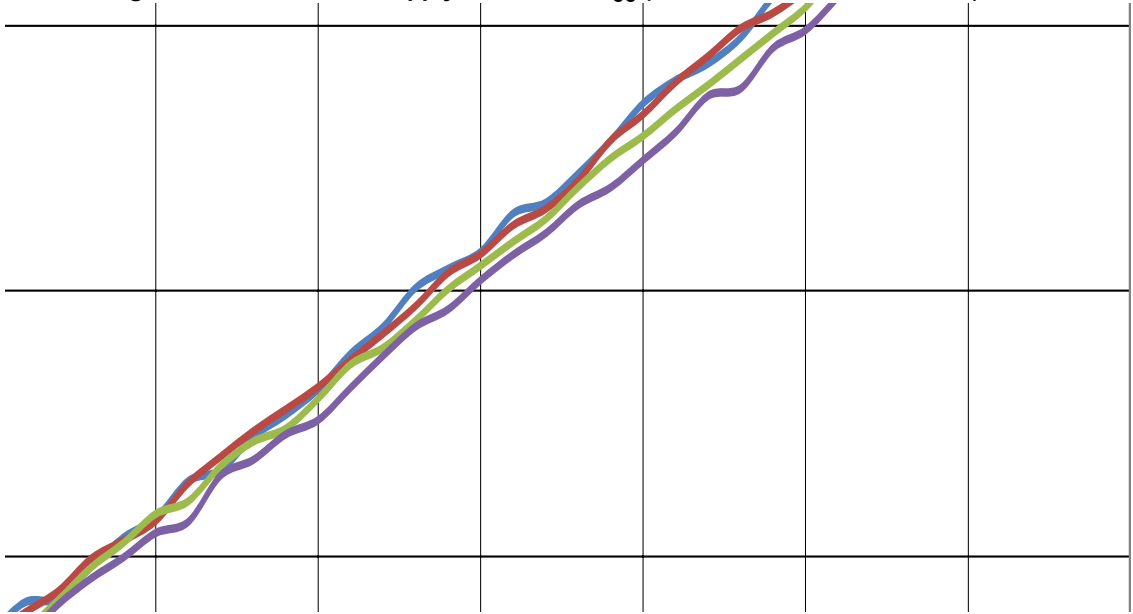


Figure 31-5. ATmega48PB/88PB: Active Supply Current vs.  $V_{CC}$  (Internal RC Oscillator, 8MHz)



## 31.1.2 Idle Supply Current

Figure 31-6. ATmega48PB/88PB: Idle Supply Current vs. Low Frequency (0.1-1.0MHz)

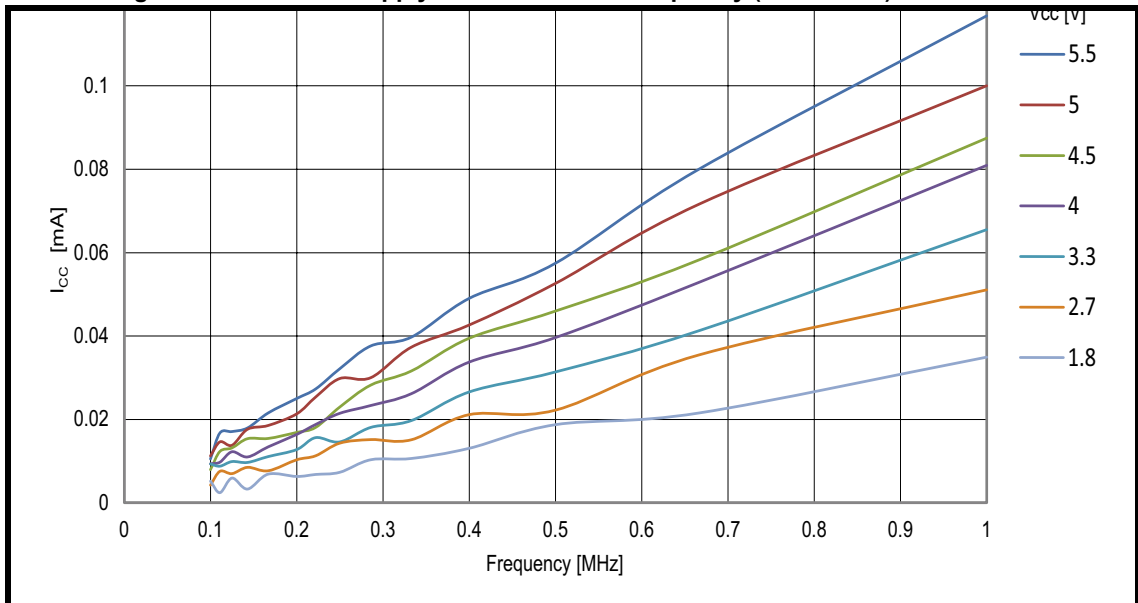


Figure 31-7. ATmega48PB/88PB: Idle Supply Current vs. Frequency (1-20MHz)

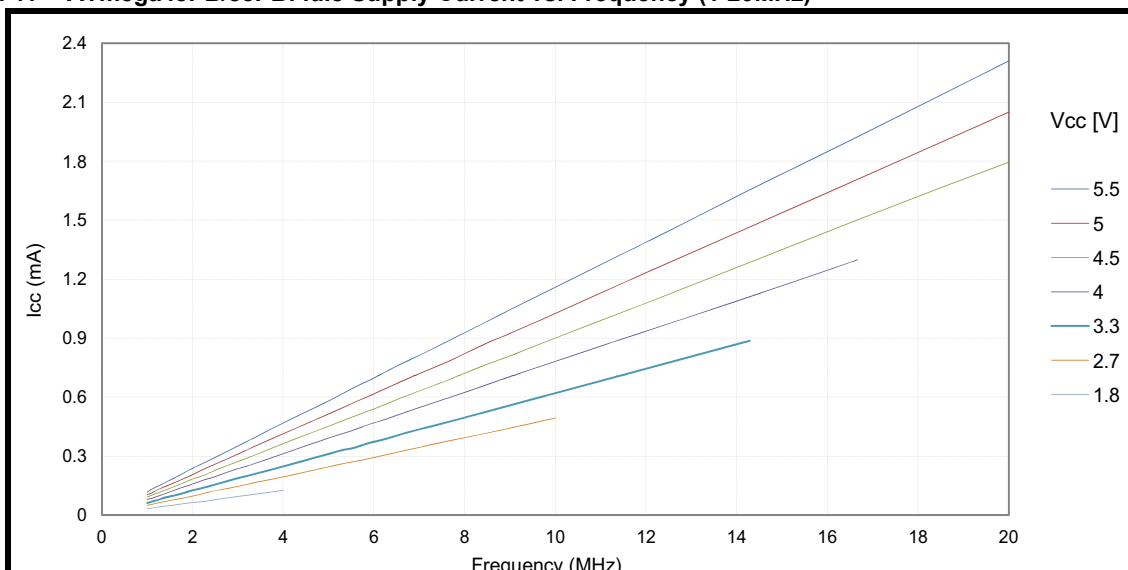


Figure 31-8. ATmega48PB/88PB: Idle Supply Current vs.  $V_{CC}$  (Internal RC Oscillator, 128kHz)

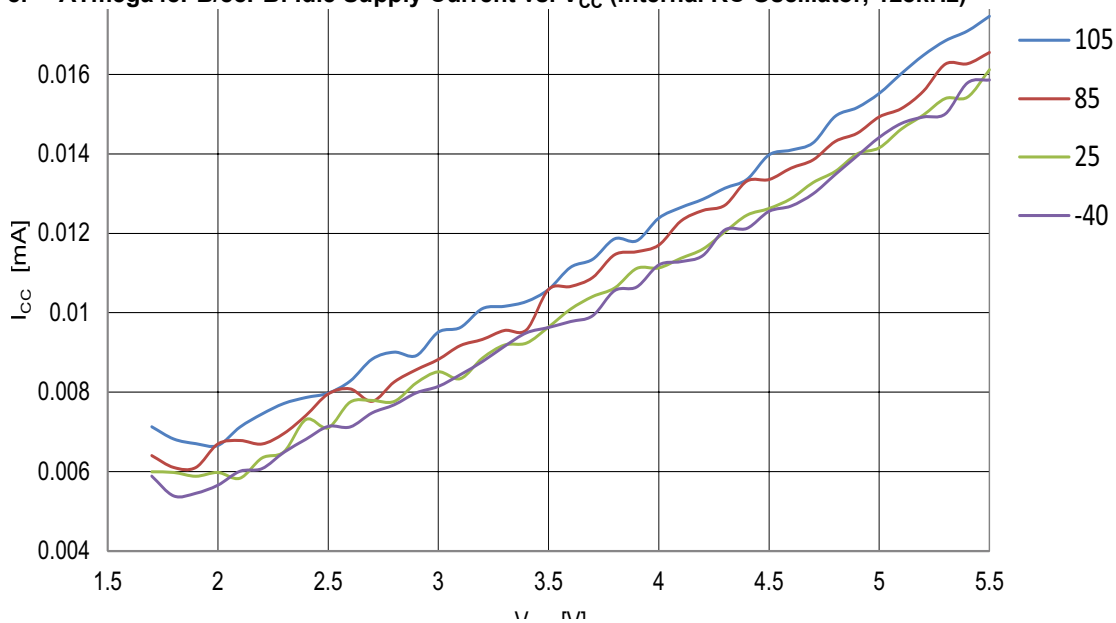


Figure 31-9. ATmega48PB/88PB: Idle Supply Current vs.  $V_{CC}$  (Internal RC Oscillator, 1MHz)

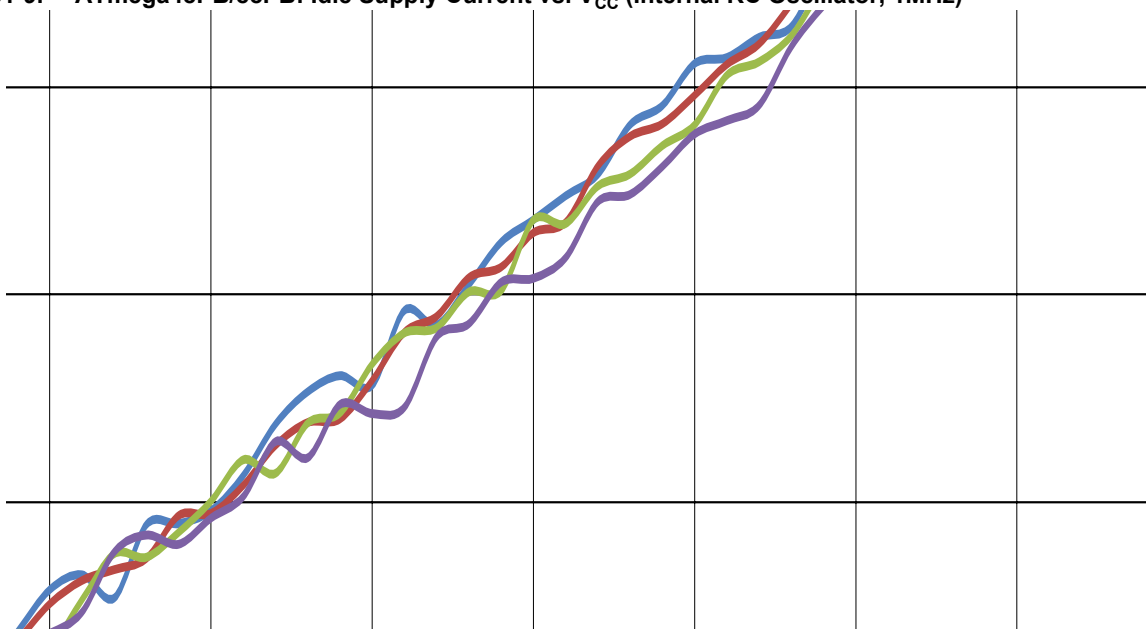
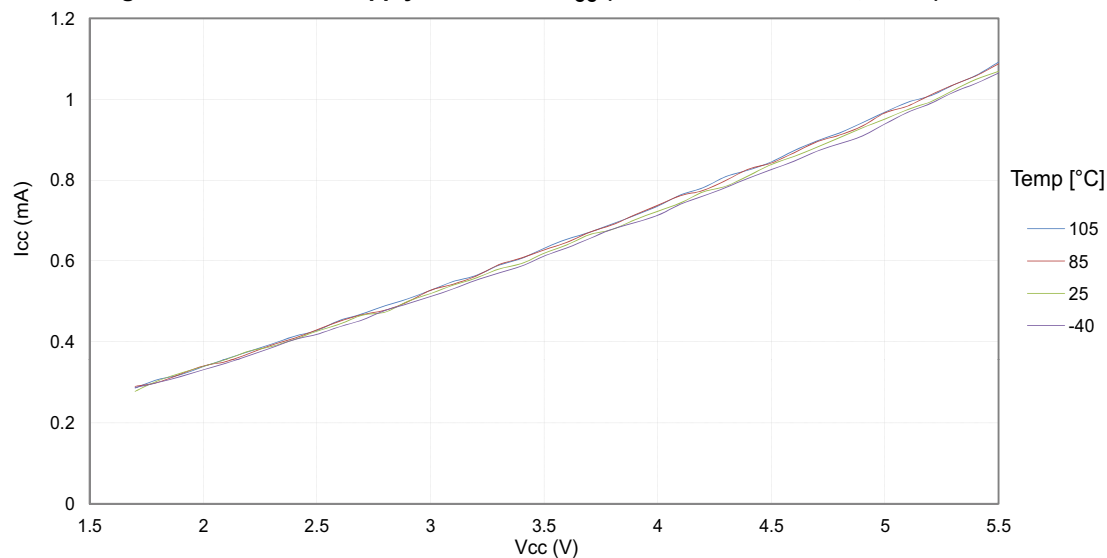


Figure 31-10. ATmega48PB/88PB: Idle Supply Current vs.  $V_{CC}$  (Internal RC Oscillator, 8MHz)



### 31.1.3 ATmega48PB/88PB Supply Current of IO Modules

The tables and formulas below can be used to calculate the additional current consumption for the different I/O modules in Active and Idle mode. The enabling or disabling of the I/O modules are controlled by the Power Reduction Register. See "Power Reduction Register" on page 49 for details.

**Table 31-1. ATmega48PB/88PB: Additional Current Consumption for the different I/O modules (absolute values)**

| PRR bit  | typical numbers @ 25°C         |                                |                                |
|----------|--------------------------------|--------------------------------|--------------------------------|
|          | V <sub>CC</sub> = 2V, F = 1MHz | V <sub>CC</sub> = 3V, F = 4MHz | V <sub>CC</sub> = 5V, F = 8MHz |
| PRUSART0 | 4.66µA                         | 28.73µA                        | 103.38µA                       |
| PRTWI    | 6.63µA                         | 41.89µA                        | 148.00µA                       |
| PRTIM2   | 6.64µA                         | 37.74µA                        | 137.36µA                       |
| PRTIM1   | 4.36µA                         | 29.65µA                        | 112.13µA                       |
| PRTIM0   | 1.61µA                         | 9.59µA                         | 32.13µA                        |
| PRSPI    | 5.55µA                         | 37.15µA                        | 136.38µA                       |
| PRADC    | 7.01µA                         | 43.31µA                        | 158.38µA                       |

**Table 31-2. ATmega48PB/88PB: Additional Current Consumption (percentage) in Active and Idle mode (V<sub>CC</sub> = 2V, F = 1MHz)**

| PRR bit  | Additional Current consumption compared to Active with external clock (see Figure 31-49 on page 348 and Figure 31-50 on page 348) | Additional Current consumption compared to Idle with external clock (see Figure 31-54 on page 350 and Figure 31-55 on page 351) |
|----------|---|---|
| PRUSART0 | 2.20%   | 13.12%  |
| PRTWI    | 3.13%   | 18.65%  |
| PRTIM2   | 3.13%   | 18.69%  |
| PRTIM1   | 2.06%   | 12.28%  |
| PRTIM0   | 0.76%   | 4.54%   |
| PRSPI    | 2.62%   | 15.63%  |
| PRADC    | 3.31%   | 19.74%  |

It is possible to calculate the typical current consumption based on the numbers from Table 31-4 on page 353 for other V<sub>CC</sub> and frequency settings than listed in Table 31-3 on page 353.

#### 31.1.3.1 Example

Calculate the expected current consumption in idle mode with TIMER1, ADC, and SPI enabled at V<sub>CC</sub> = 2.0V and F = 1MHz. From Table 31-4 on page 353, third column, we see that we need to add 12.28% for the TIMER1, 19.74% for the ADC, and 15.63% for the SPI module. Reading from Figure 31-54 on page 350, we find that the idle current consumption is ~0.036 mA at V<sub>CC</sub> = 2.0V and F = 1MHz. The total current consumption in idle mode with TIMER1, ADC, and SPI enabled, gives:

$$I_{CC\text{total}} \approx 0.036 \text{ mA} \cdot (1 + 0.123 + 0.197 + 0.156) \approx 0.053 \text{ mA}$$



## 31.1.4 Power-down Supply Current

Figure 31-11. ATmega48PB/88PB: Power-Down Supply Current vs.  $V_{CC}$  (Watchdog Timer Disabled)

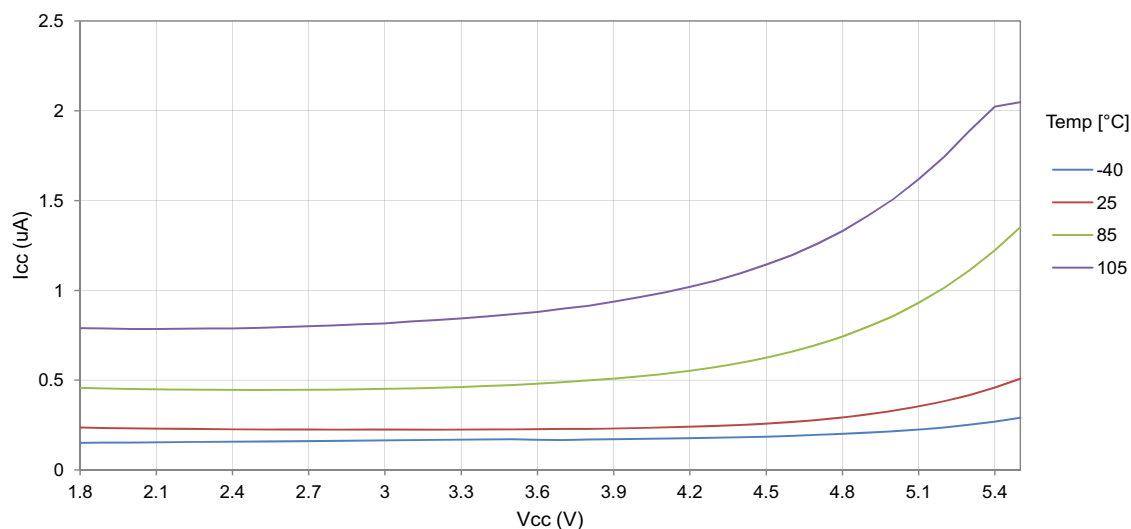
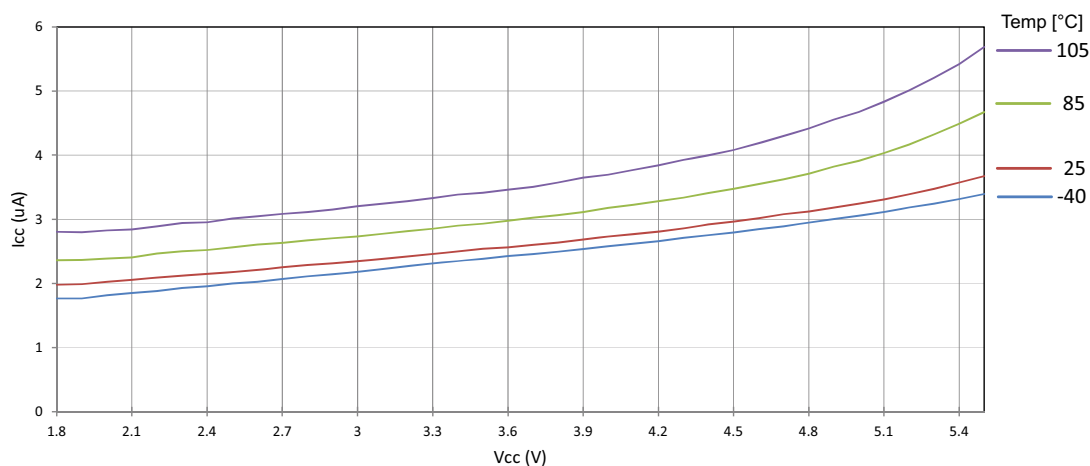
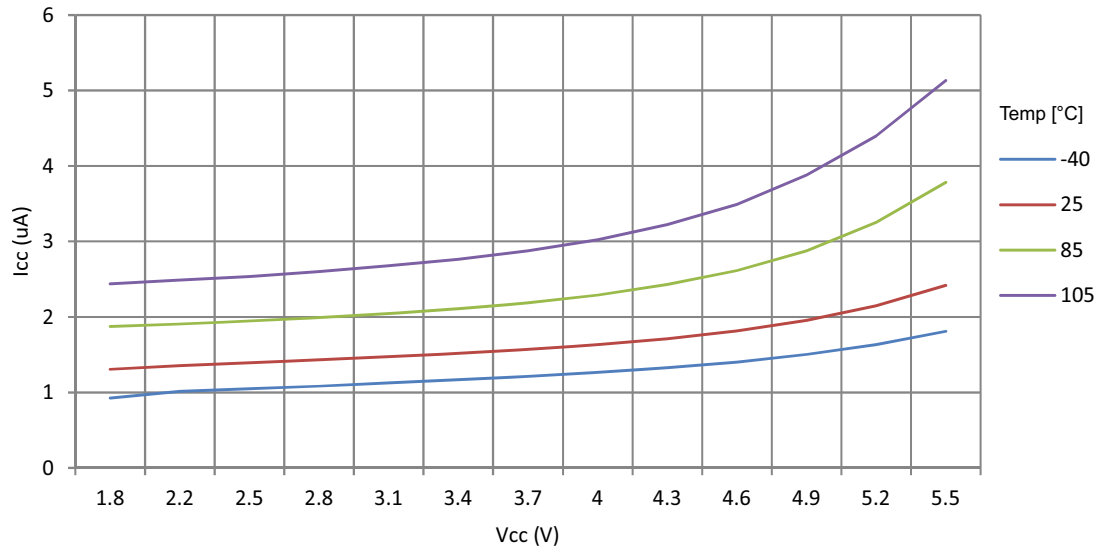


Figure 31-12. ATmega48PB/88PB: Power-Down Supply Current vs.  $V_{CC}$  (Watchdog Timer Enabled)



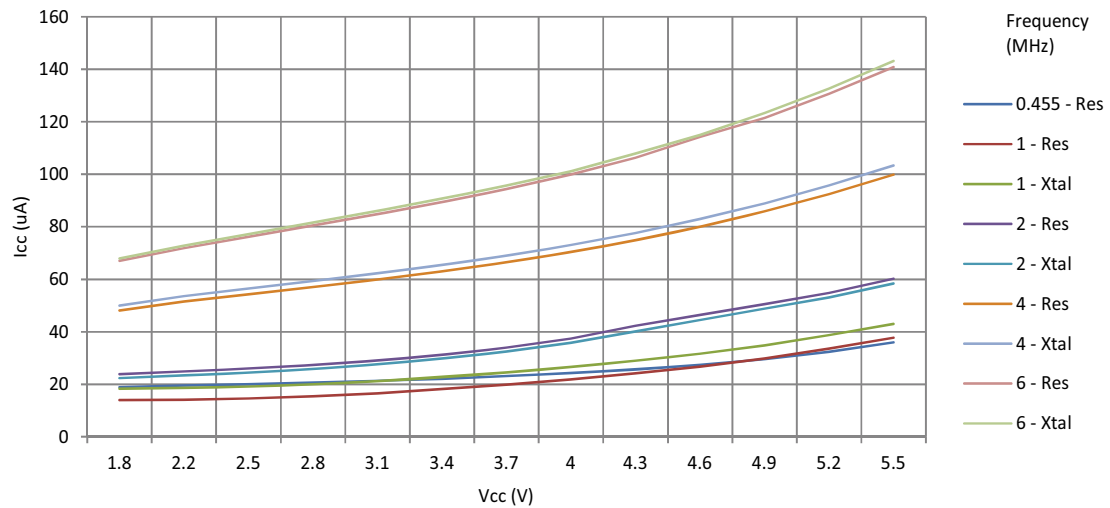
## 31.1.5 Power-save Supply Current

Figure 31-13. ATmega48PB/88PB: Power-save Supply Current vs.  $V_{CC}$



## 31.1.6 Power-standby Supply Current

Figure 31-14. ATmega48PB/88PB: Power-standby Supply Current vs.  $V_{CC}$



## 31.1.7 Pin Pull-Up

Figure 31-15. ATmega48PB/88PB: I/O Pin Pull-up Resistor Current vs. Input Voltage ( $V_{CC} = 1.8V$ )

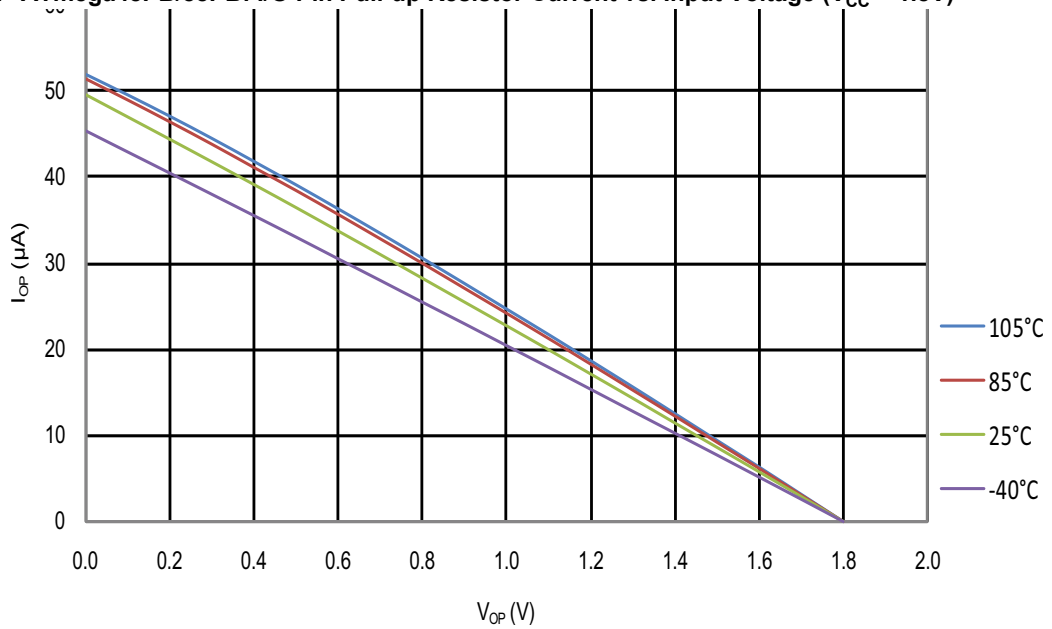
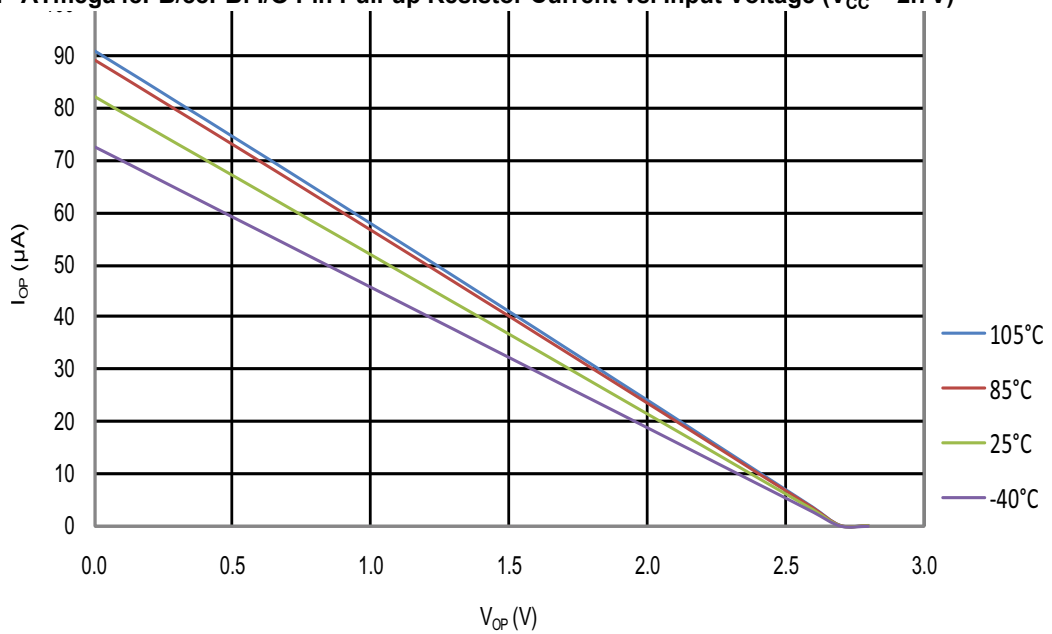
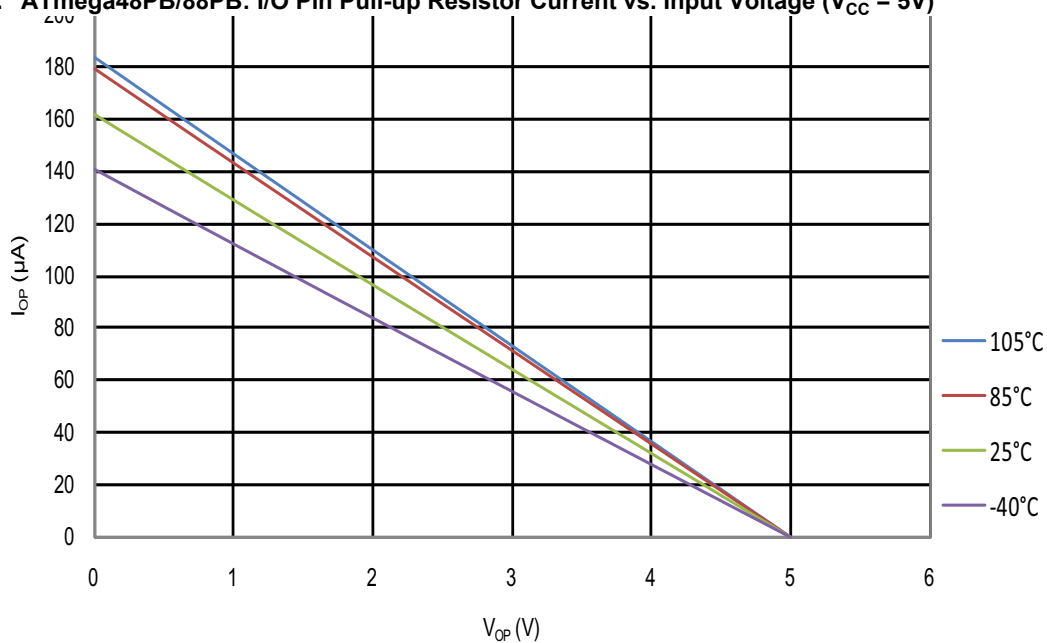


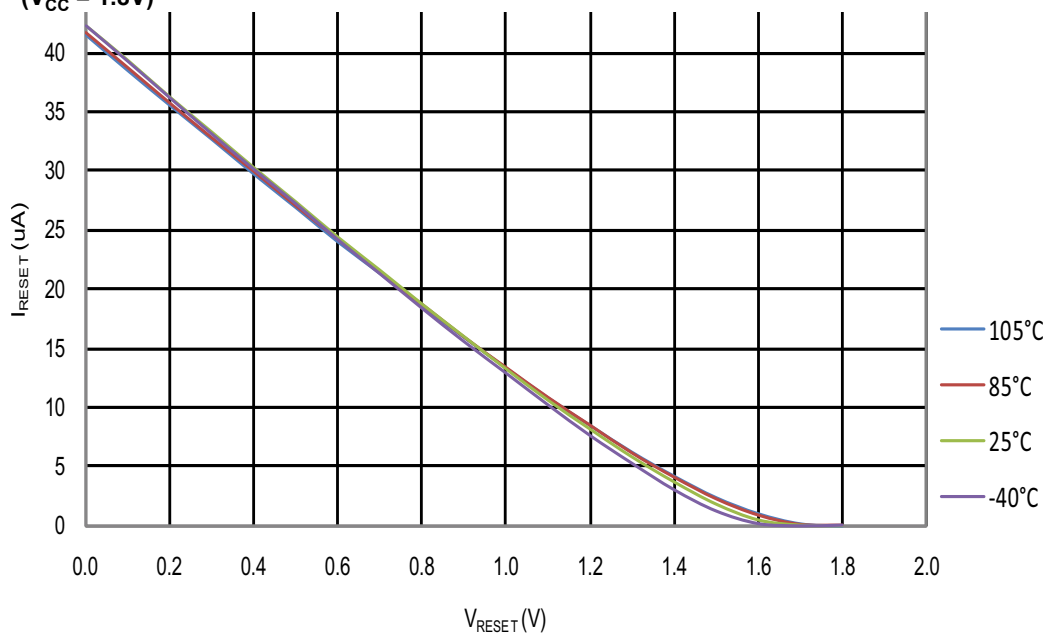
Figure 31-16. ATmega48PB/88PB: I/O Pin Pull-up Resistor Current vs. Input Voltage ( $V_{CC} = 2.7V$ )



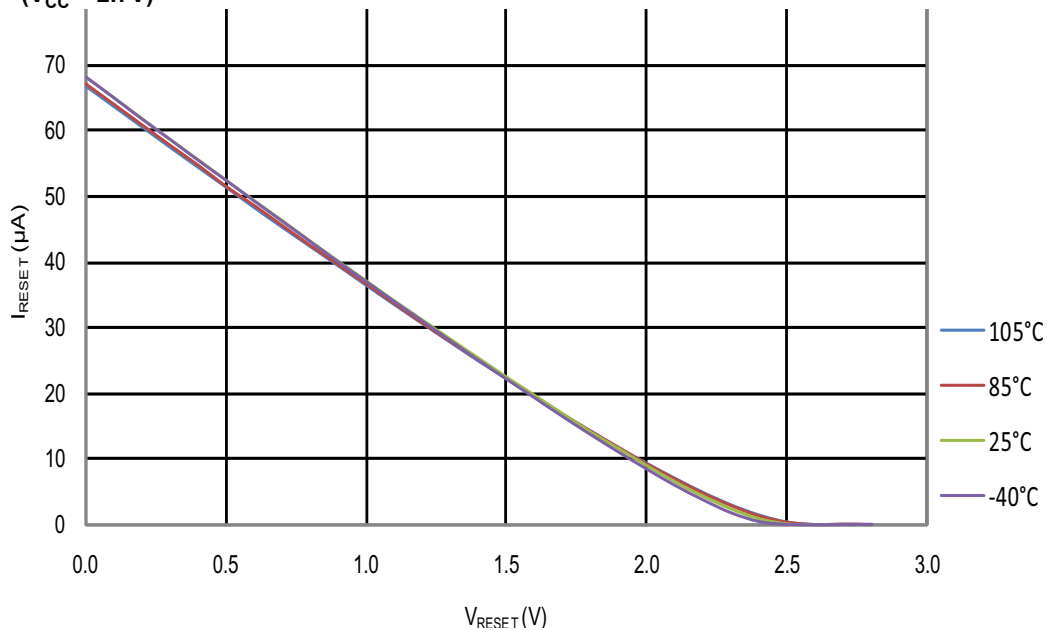
**Figure 31-17. ATmega48PB/88PB: I/O Pin Pull-up Resistor Current vs. Input Voltage ( $V_{CC} = 5V$ )**



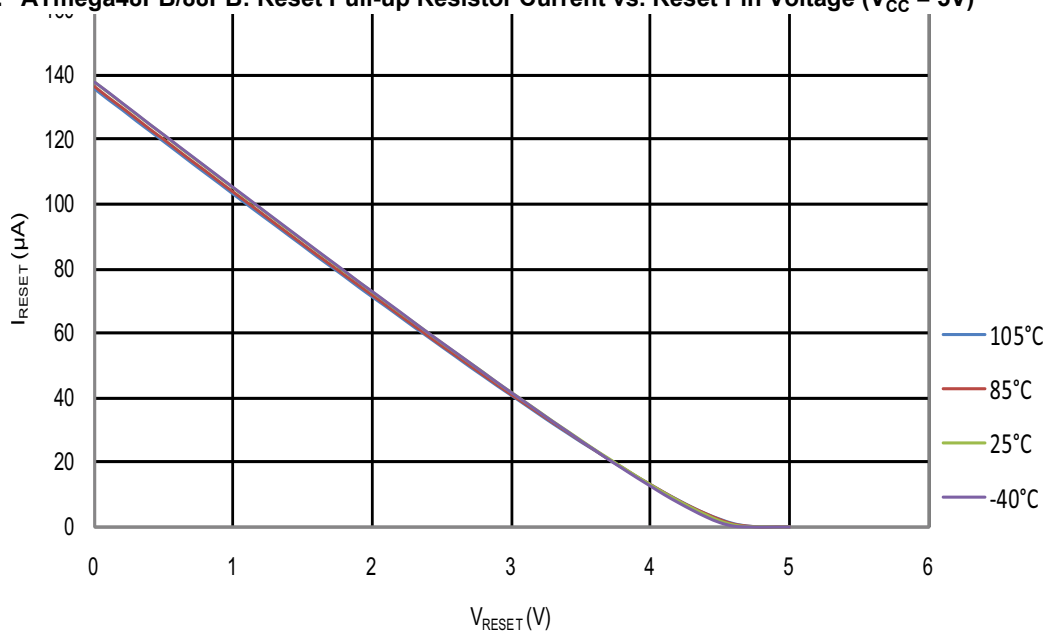
**Figure 31-18. ATmega48PB/88PB: Reset Pull-up Resistor Current vs. Reset Pin Voltage ( $V_{CC} = 1.8V$ )**



**Figure 31-19. ATmega48PB/88PB: Reset Pull-up Resistor Current vs. Reset Pin Voltage ( $V_{CC} = 2.7V$ )**



**Figure 31-20. ATmega48PB/88PB: Reset Pull-up Resistor Current vs. Reset Pin Voltage ( $V_{CC} = 5V$ )**



## 31.1.8 Pin Driver Strength

Figure 31-21. ATmega48PB/88PB: I/O Pin Output Voltage vs. Sink Current ( $V_{CC} = 3V$ )

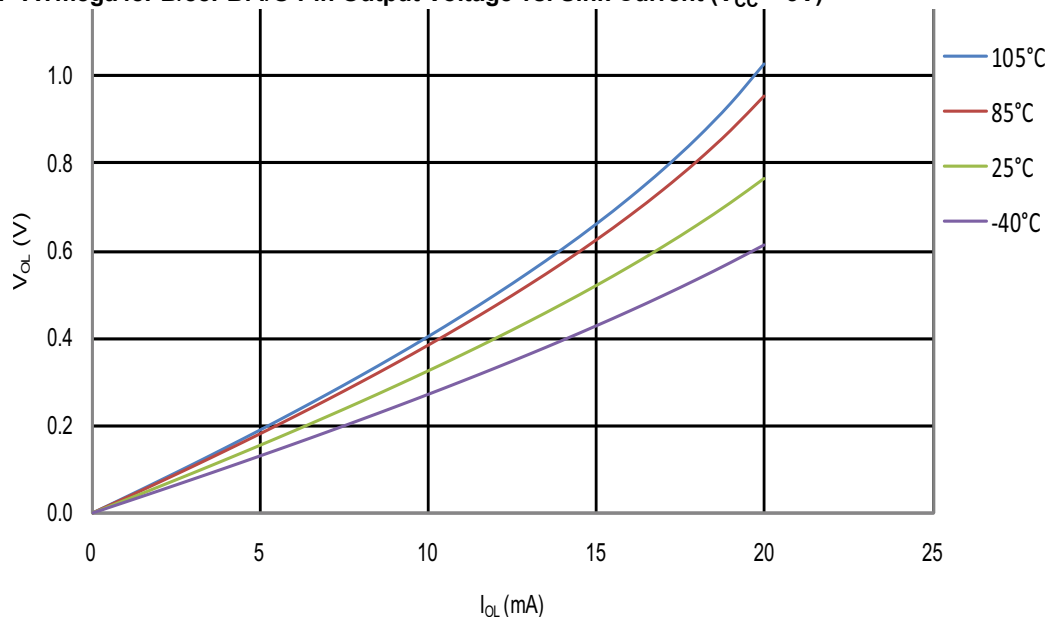


Figure 31-22. ATmega48PB/88PB: I/O Pin Output Voltage vs. Sink Current ( $V_{CC} = 5V$ )

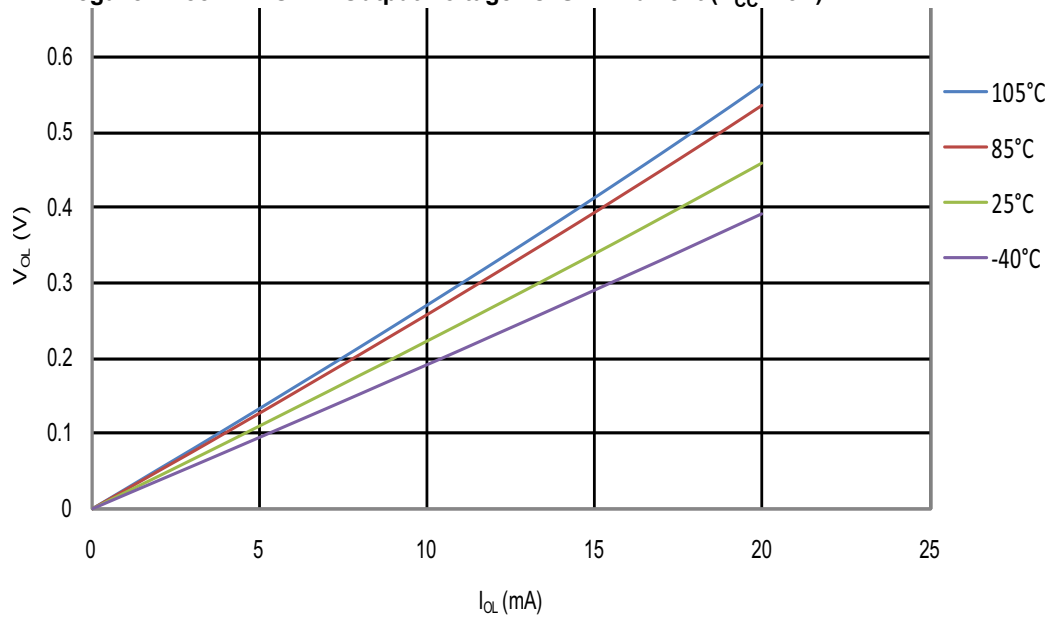


Figure 31-23. ATmega48PB/88PB: I/O Pin Output Voltage vs. Source Current ( $V_{CC} = 3V$ )

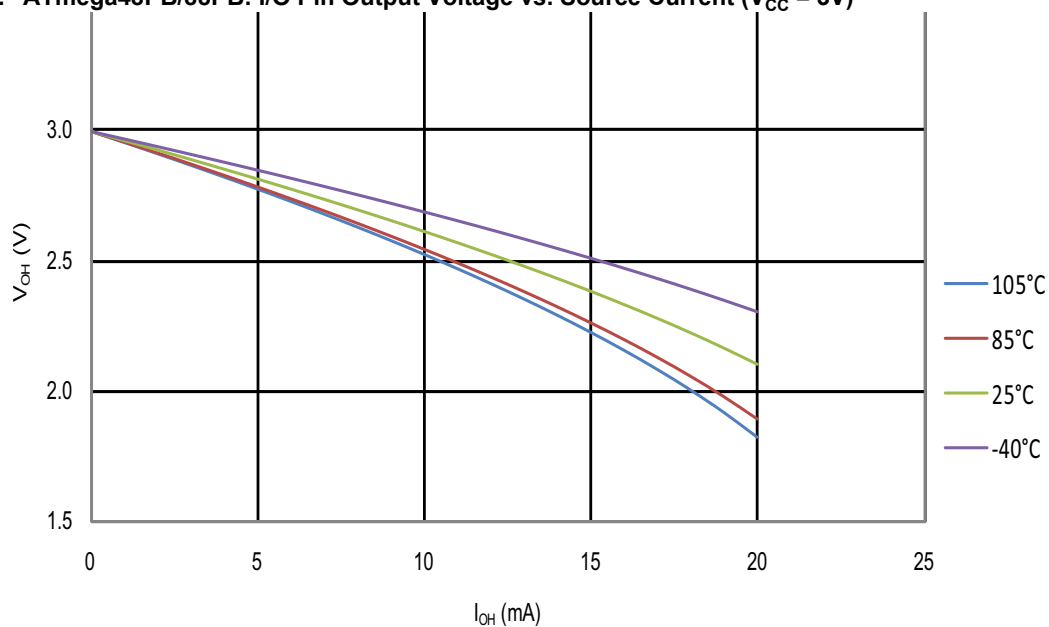
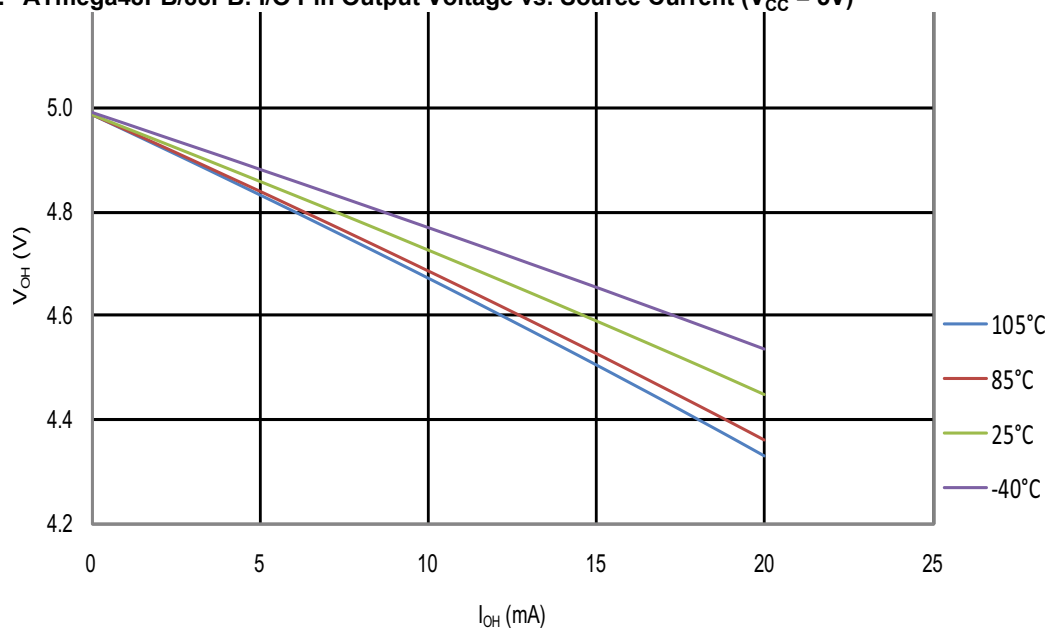


Figure 31-24. ATmega48PB/88PB: I/O Pin Output Voltage vs. Source Current ( $V_{CC} = 5V$ )



## 31.1.9 Pin Threshold and Hysteresis

Figure 31-25. ATmega48PB/88PB: I/O Pin Input Threshold Voltage vs.  $V_{CC}$  ( $V_{IH}$ , I/O Pin read as '1')

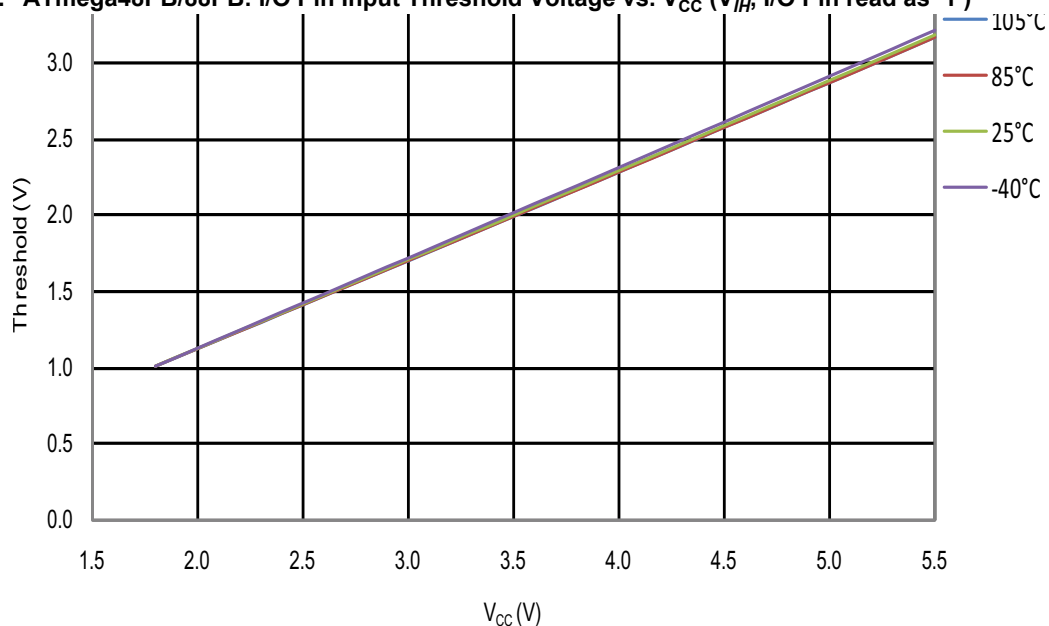


Figure 31-26. ATmega48PB/88PB: I/O Pin Input Threshold Voltage vs.  $V_{CC}$  ( $V_{IL}$ , I/O Pin read as '0')

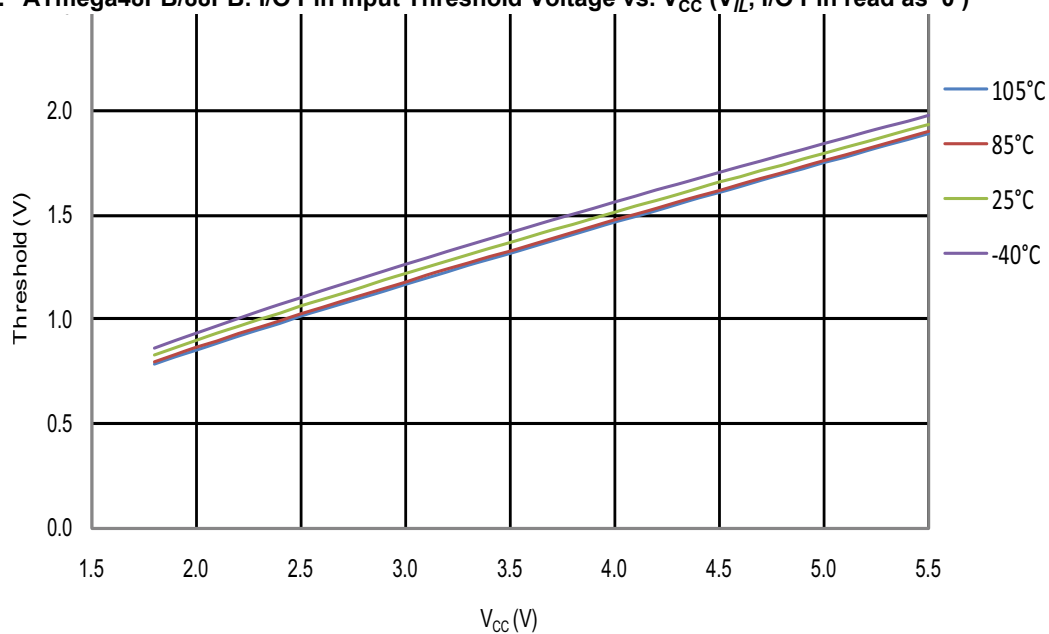




Figure 31-27. ATmega48PB/88PB: I/O Pin Input Hysteresis vs.  $V_{CC}$

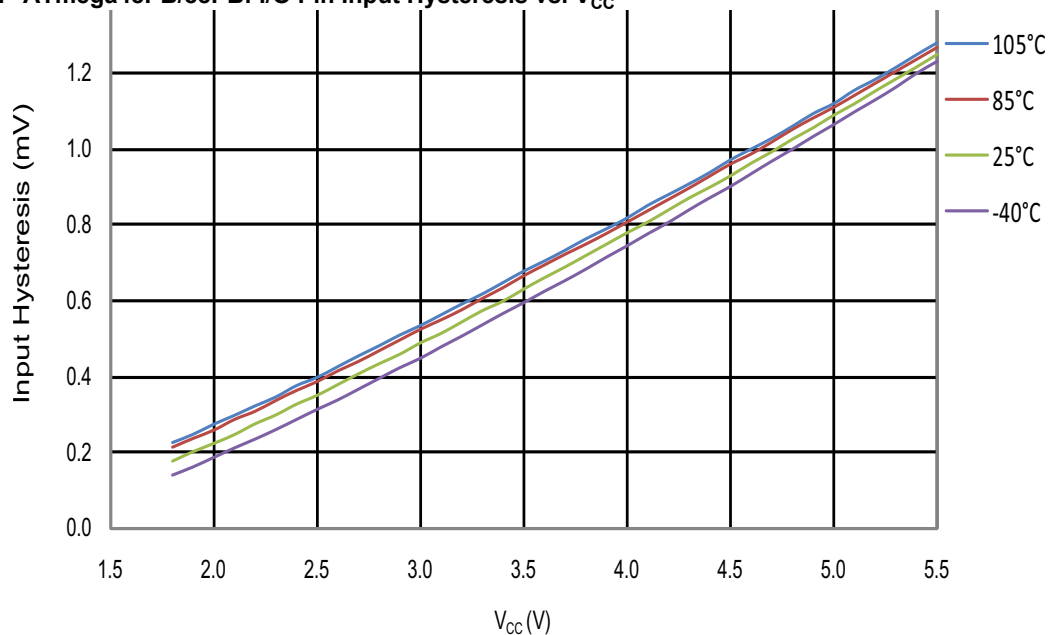


Figure 31-28. ATmega48PB/88PB: Reset Input Threshold Voltage vs.  $V_{CC}$  ( $V_{IH}$ , I/O Pin read as '1')

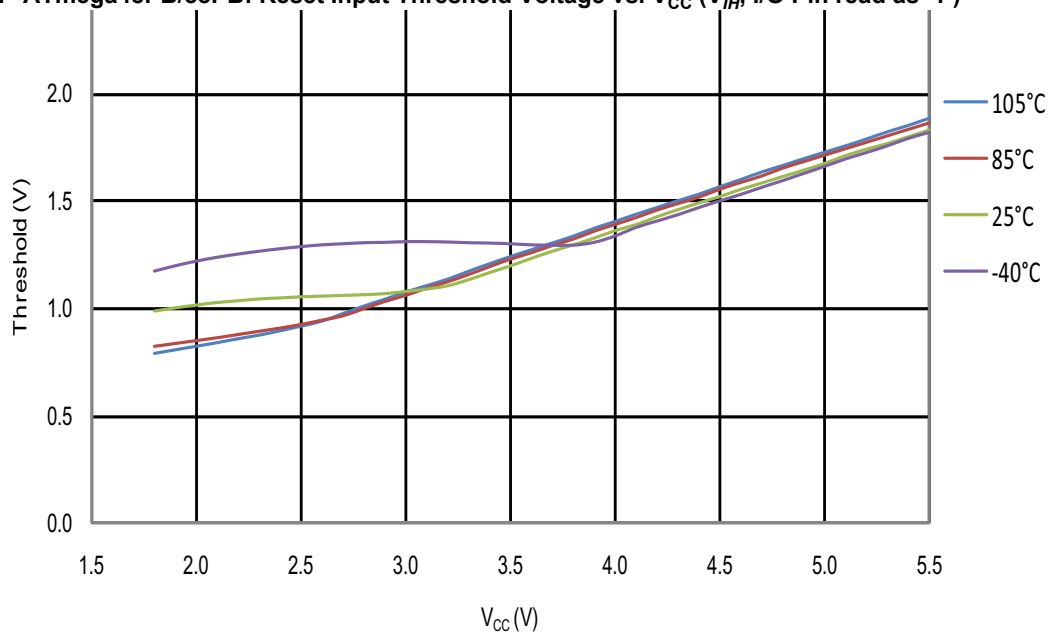


Figure 31-29. ATmega48PB/88PB: Reset Input Threshold Voltage vs.  $V_{CC}$  ( $V_{IL}$ , I/O Pin read as '0')

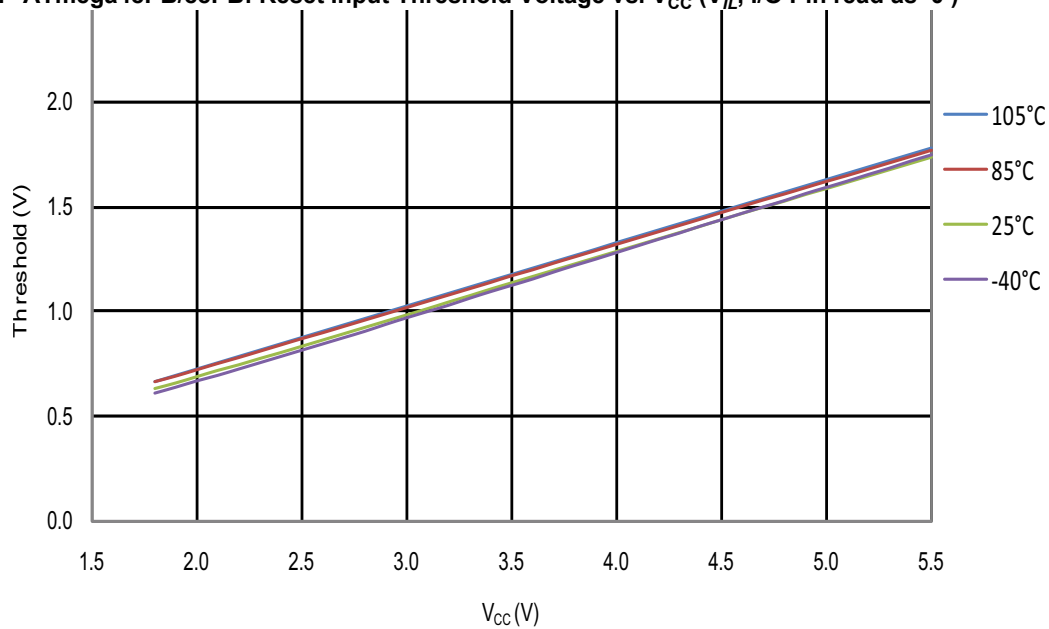
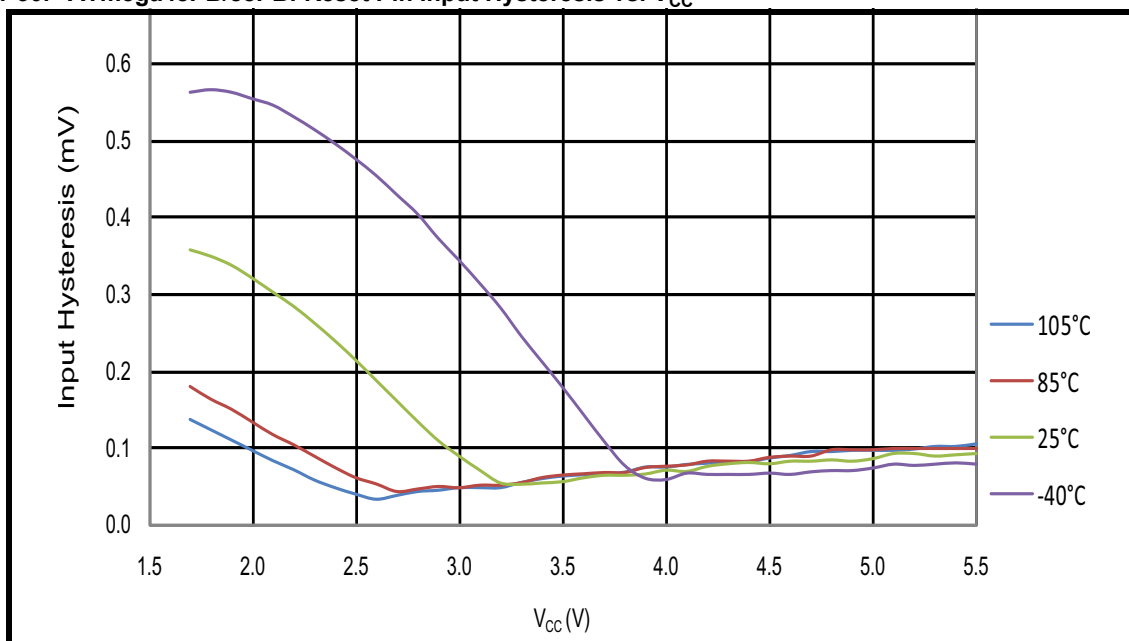


Figure 31-30. ATmega48PB/88PB: Reset Pin Input Hysteresis vs.  $V_{CC}$



## 31.1.10 BOD Threshold

Figure 31-31. ATmega48PB/88PB: BOD Thresholds vs. Temperature (BODLEVEL is 1.8V)

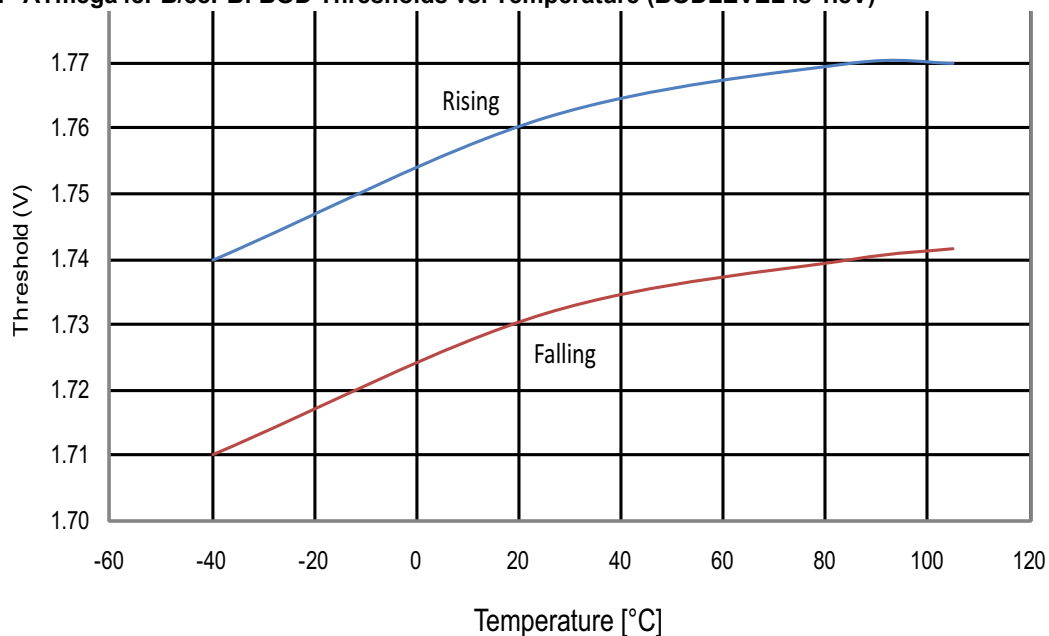


Figure 31-32. ATmega48PB/88PB: BOD Thresholds vs. Temperature (BODLEVEL is 2.7V)

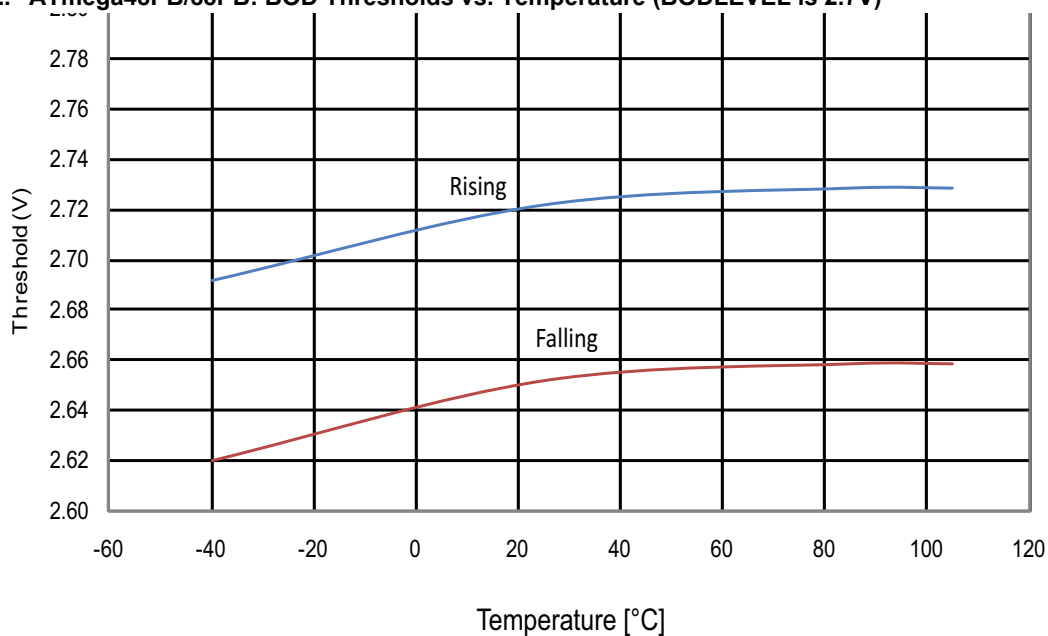


Figure 31-33. ATmega48PB/88PB: BOD Thresholds vs. Temperature (BODLEVEL is 4.3V)

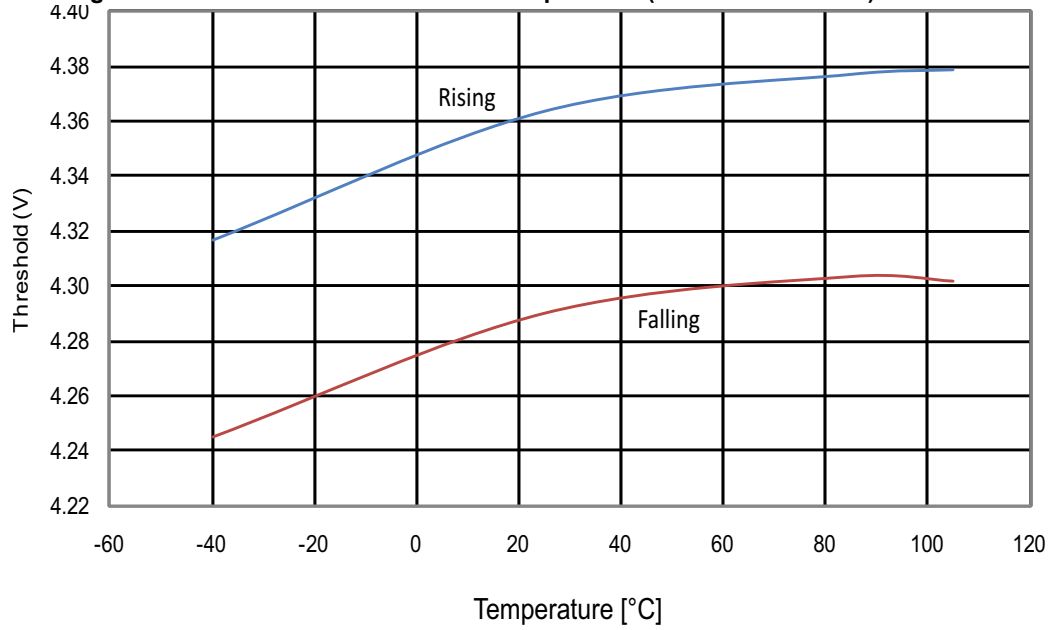


Figure 31-34. ATmega48PB/88PB: Calibrated Bandgap Voltage vs. Temperature

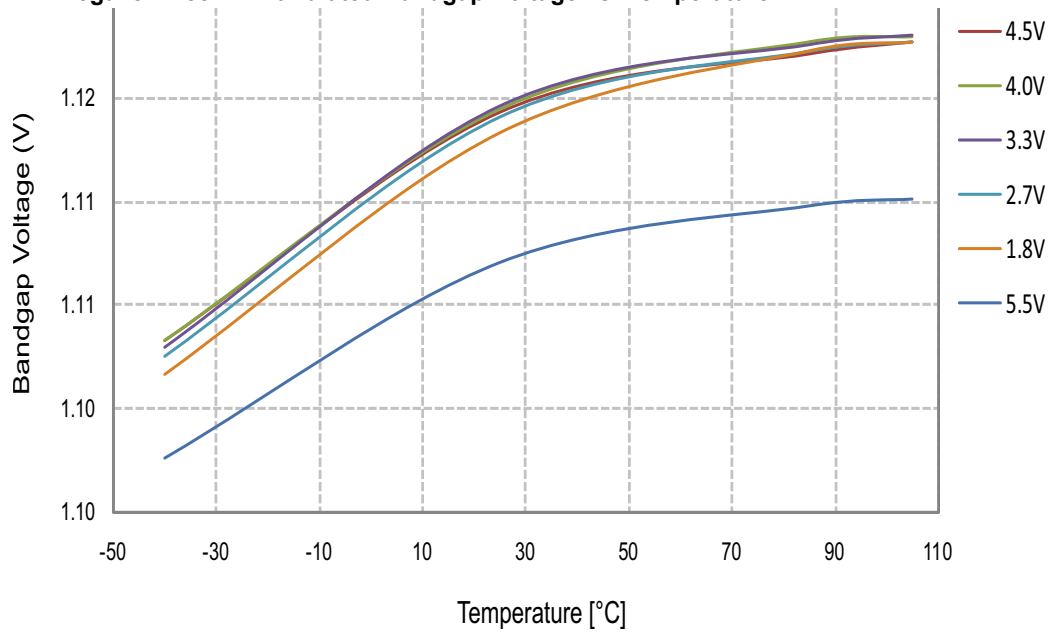
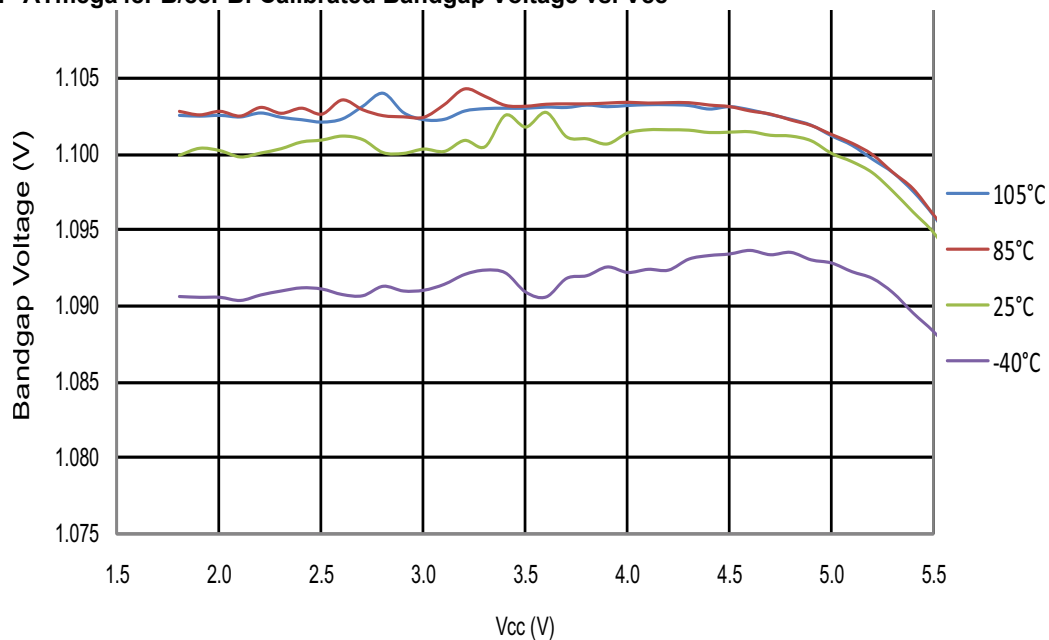


Figure 31-35. ATmega48PB/88PB: Calibrated Bandgap Voltage vs. Vcc



### 31.1.11 Internal Oscillator Speed

Figure 31-36. ATmega48PB/88PB: Watchdog Oscillator Frequency vs. Temperature

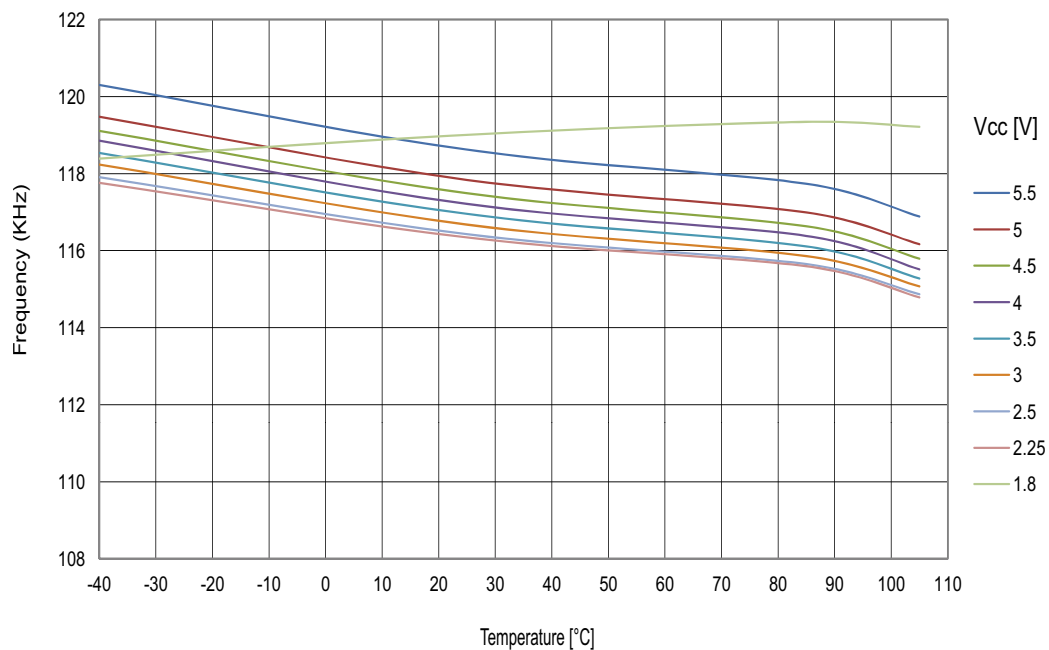


Figure 31-37. ATmega48PB/88PB: Watchdog Oscillator Frequency vs.  $V_{CC}$

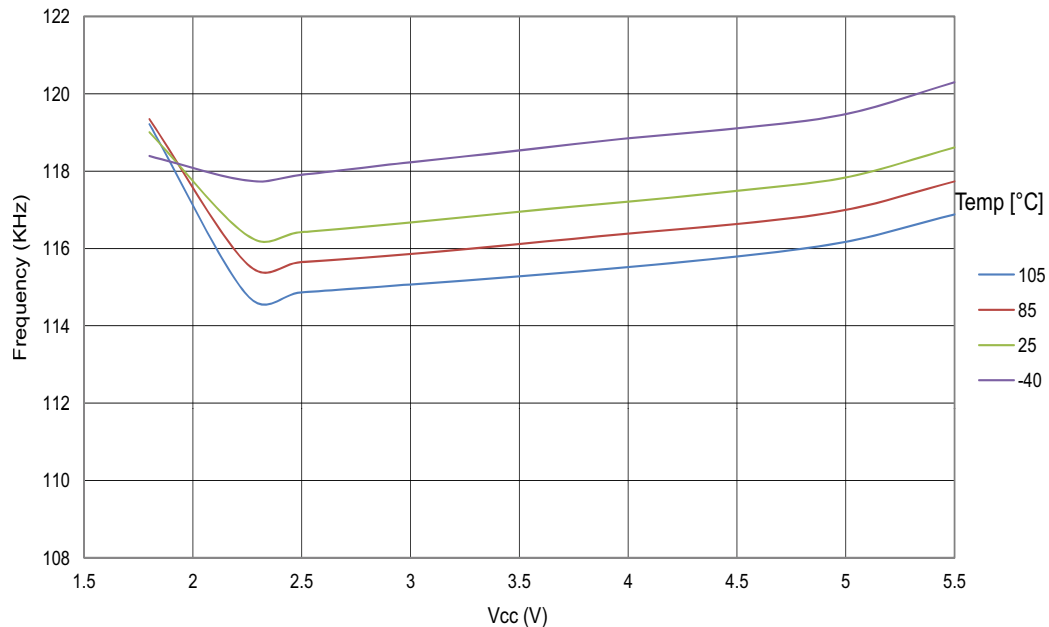


Figure 31-38. ATmega48PB/88PB: Calibrated 8MHz RC Oscillator Frequency vs.  $V_{CC}$

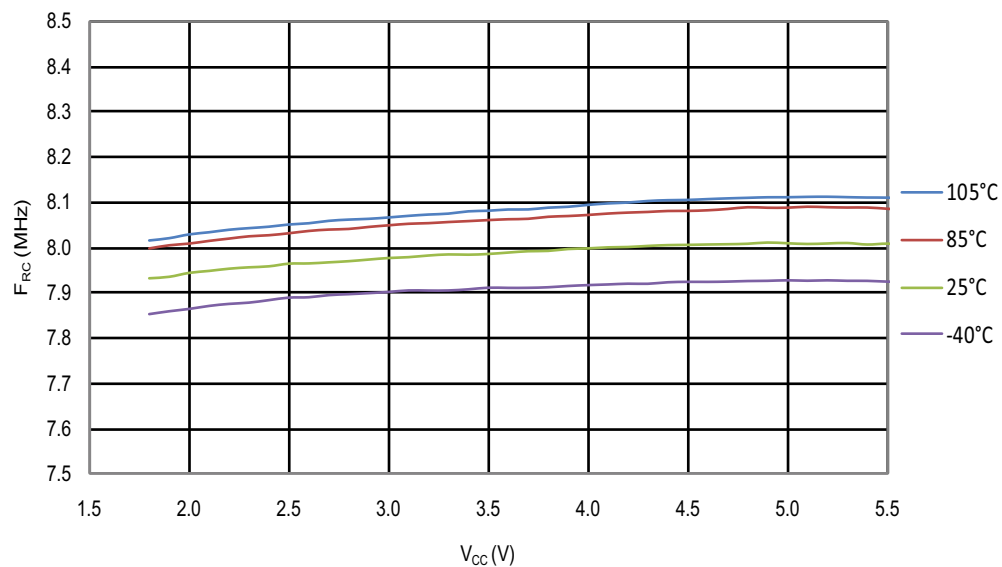


Figure 31-39. ATmega48PB/88PB: Calibrated 8MHz RC Oscillator Frequency vs. Temperature

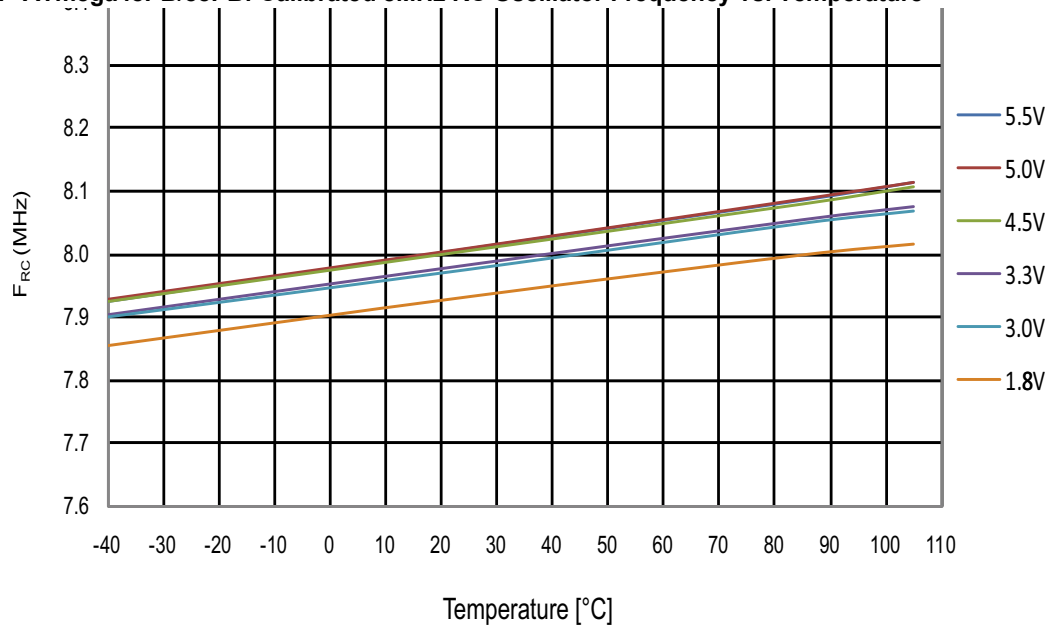
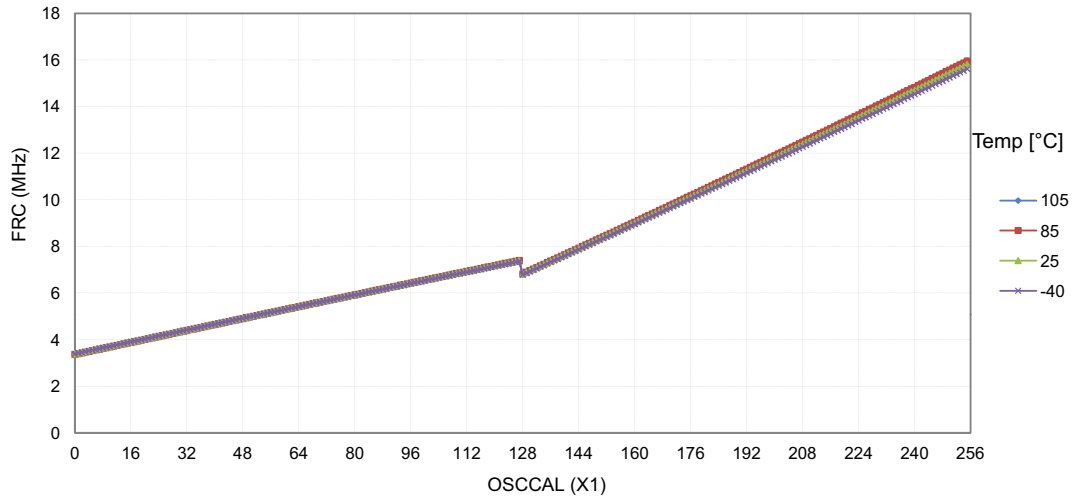


Figure 31-40. ATmega48PB/88PB: Calibrated 8MHz RC Oscillator Frequency vs. OSCCAL Value



## 31.1.12 Current Consumption of Peripheral Units

Figure 31-41. ATmega48PB/88PB: ADC Current vs.  $V_{CC}$  (AREF =  $AV_{CC}$ )

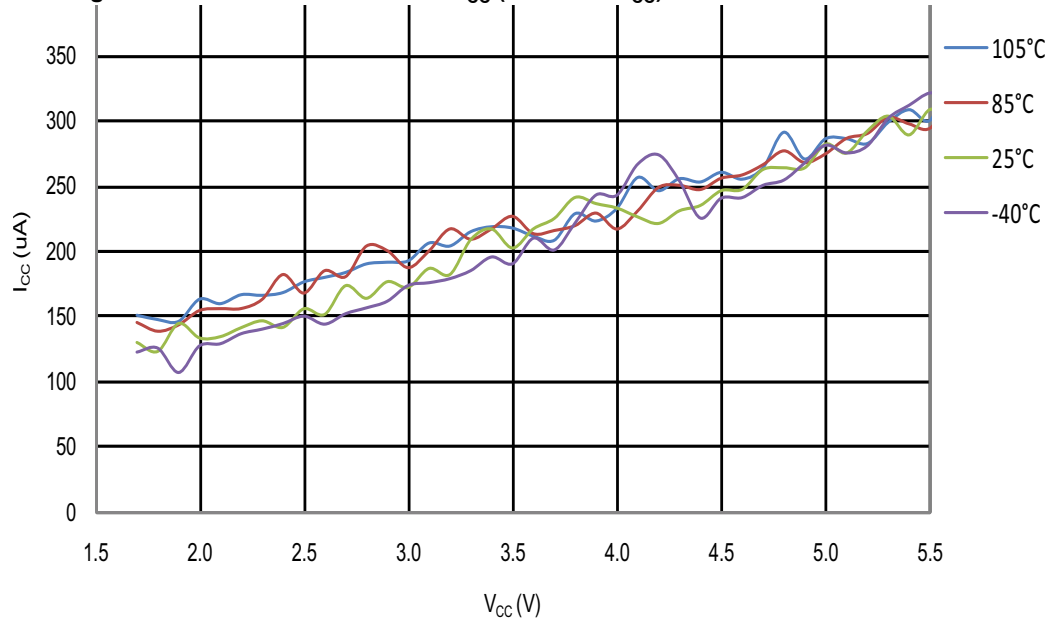
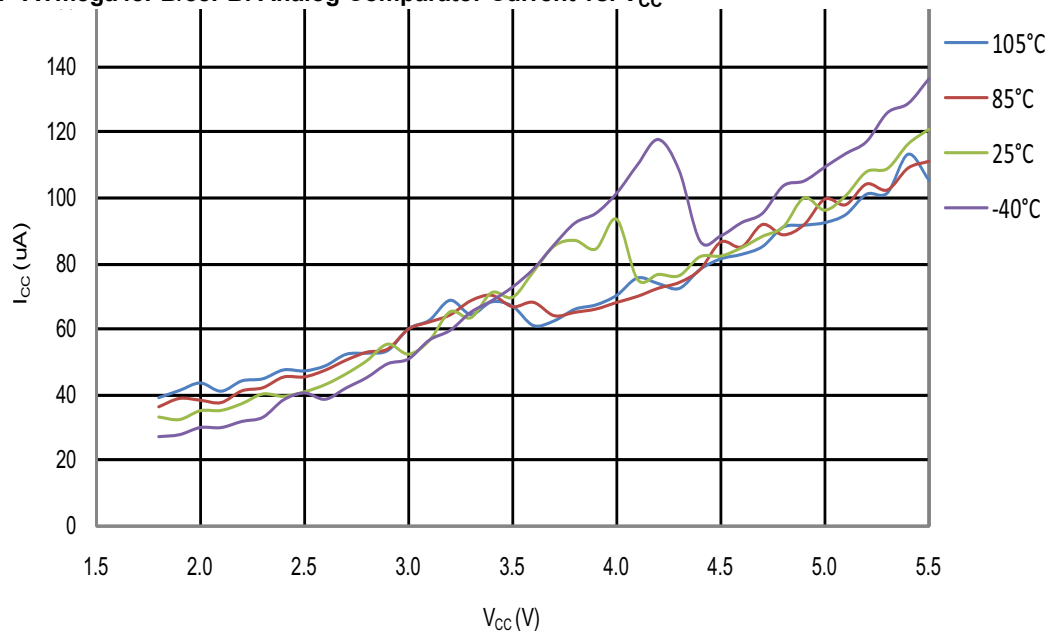
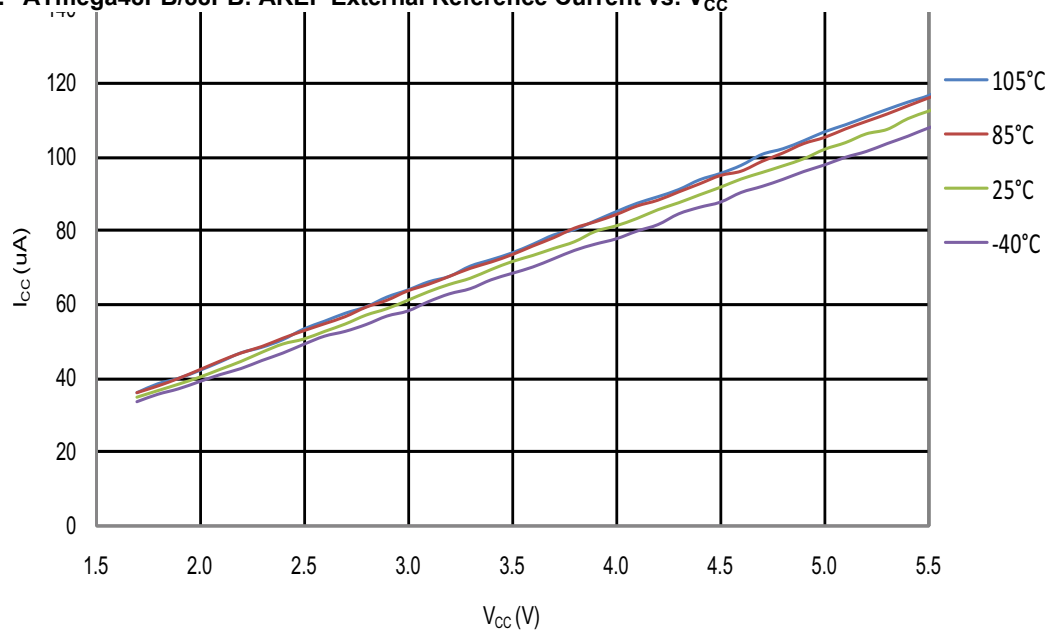


Figure 31-42. ATmega48PB/88PB: Analog Comparator Current vs.  $V_{CC}$





**Figure 31-43. ATmega48PB/88PB: AREF External Reference Current vs.  $V_{CC}$**



**Figure 31-44. ATmega48PB/88PB: Brownout Detector Current vs.  $V_{CC}$**

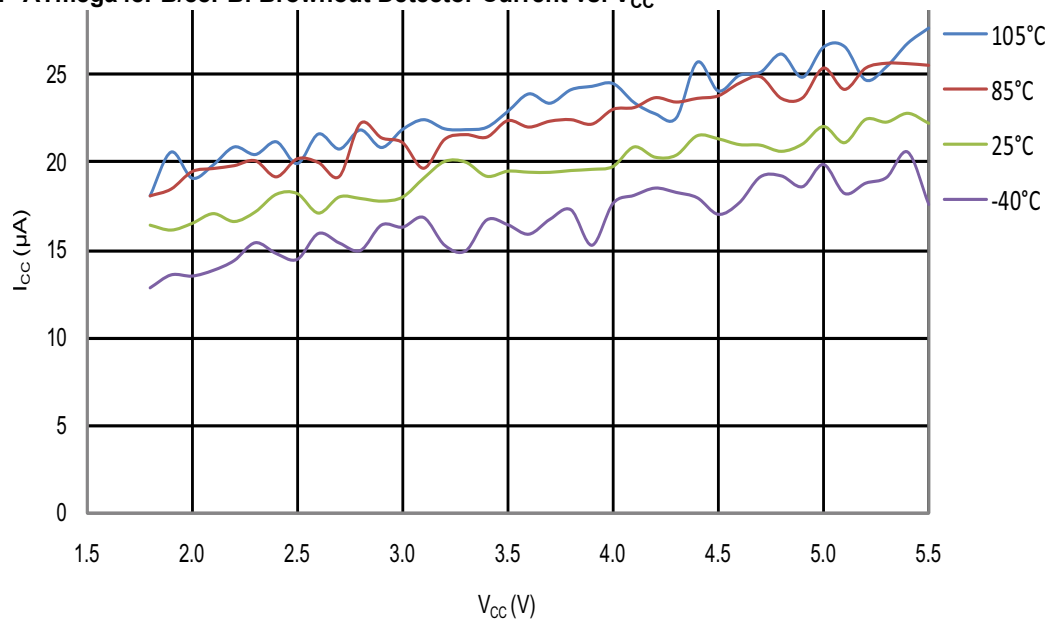
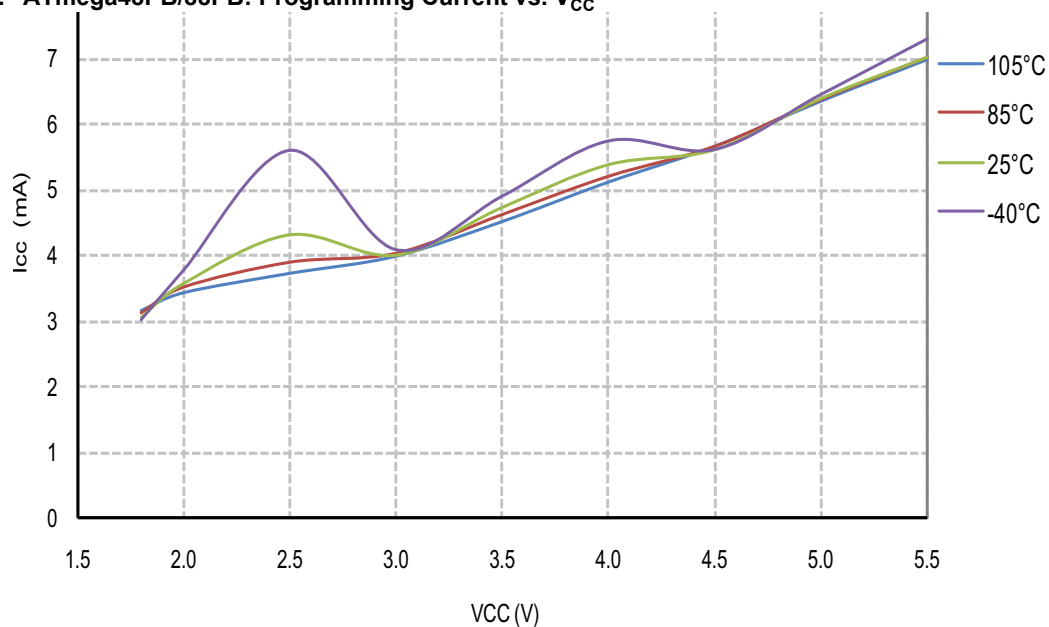
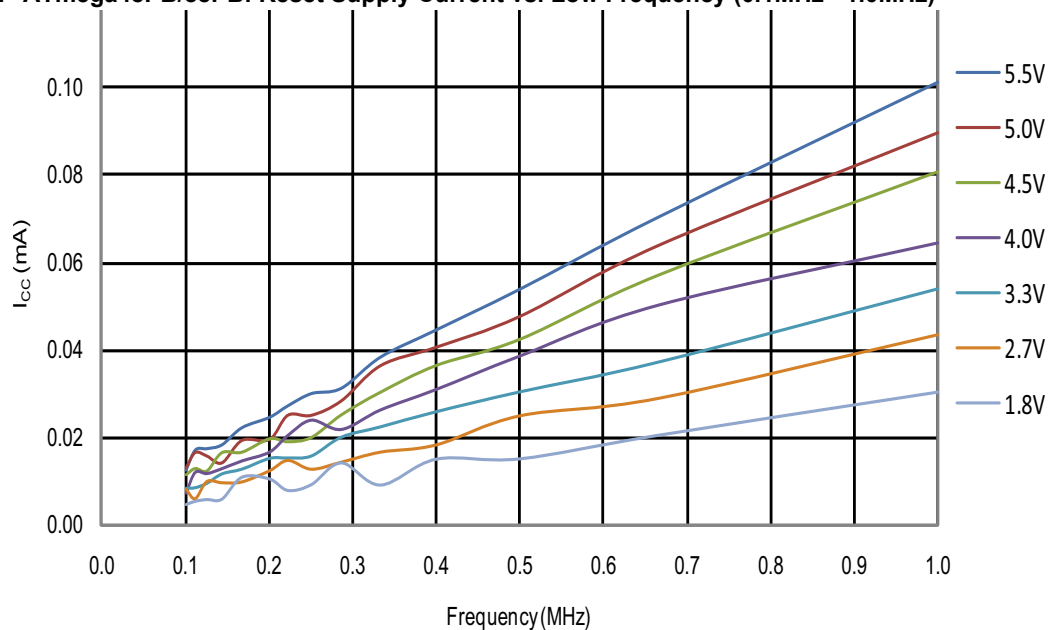


Figure 31-45. ATmega48PB/88PB: Programming Current vs.  $V_{CC}$

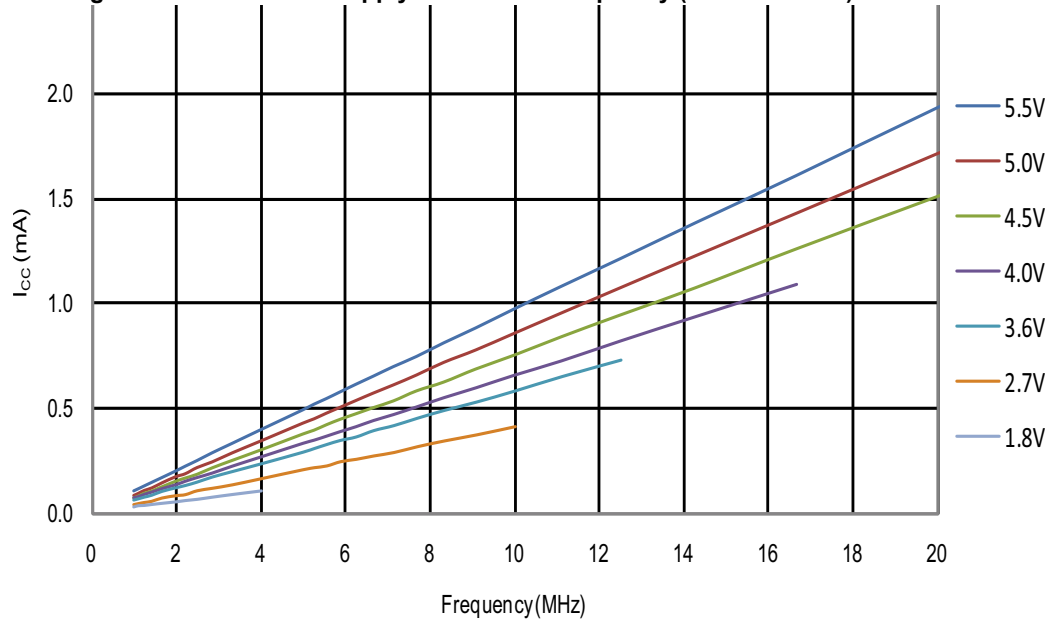


### 31.1.13 Current Consumption in Reset and Reset Pulse width

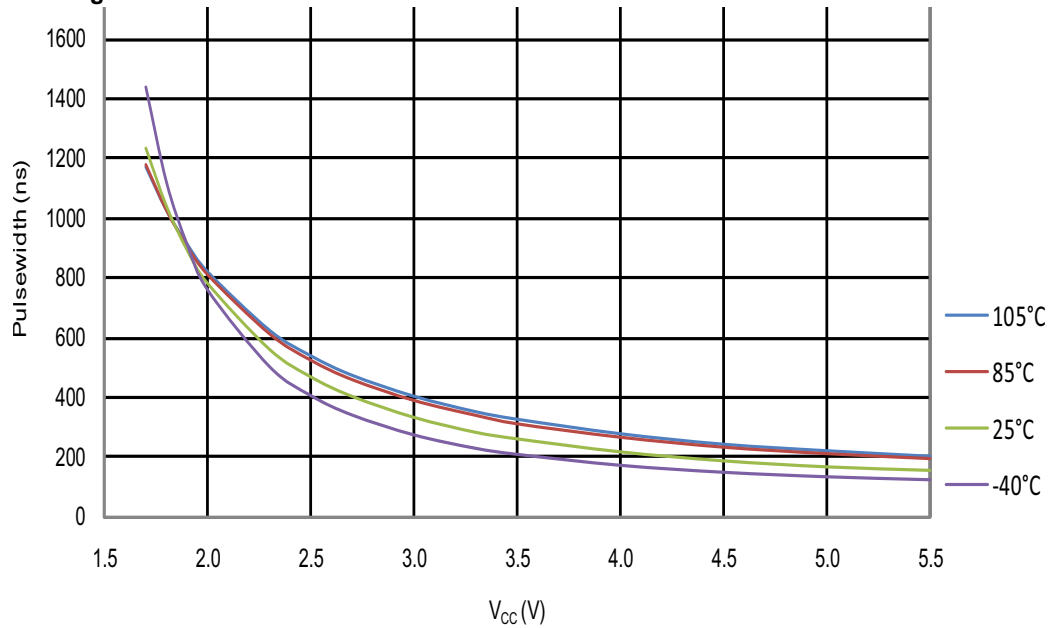
Figure 31-46. ATmega48PB/88PB: Reset Supply Current vs. Low Frequency (0.1MHz - 1.0MHz)



**Figure 31-47. ATmega48PB/88PB: Reset Supply Current vs. Frequency (1MHz - 20MHz)**



**Figure 31-48. ATmega48PB/88PB: Minimum Reset Pulse Width vs. Vcc**



## 31.2 ATmega168PB Typical Characteristics

### 31.2.1 Active Supply Current

Figure 31-49. ATmega168PB: Active Supply Current vs. Low Frequency (0.1-1.0MHz)

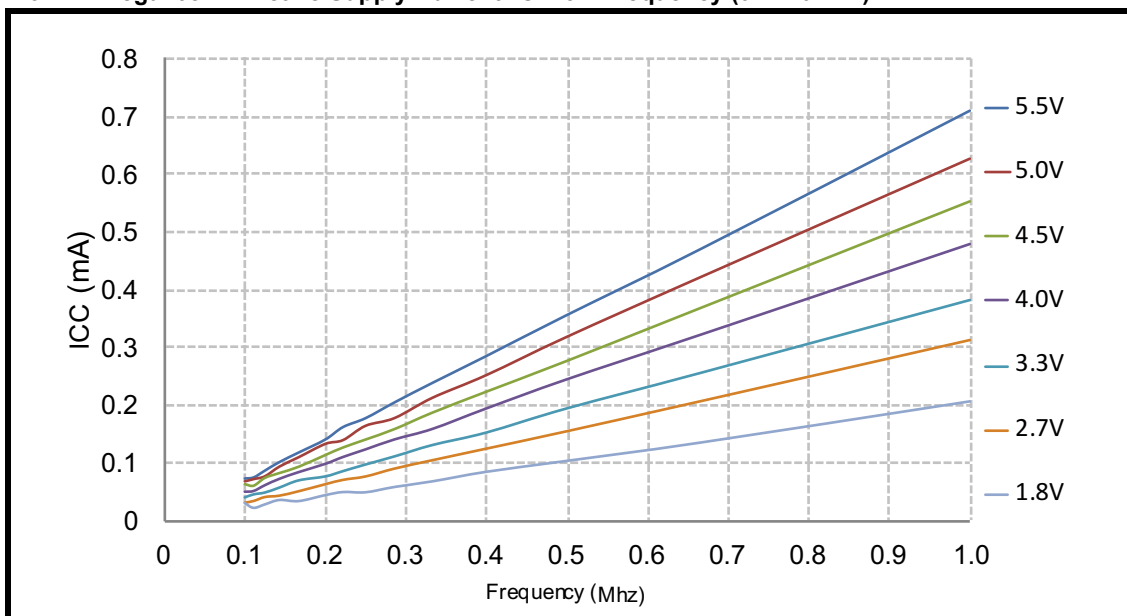


Figure 31-50. ATmega168PB: Active Supply Current vs. Frequency (1-20MHz)

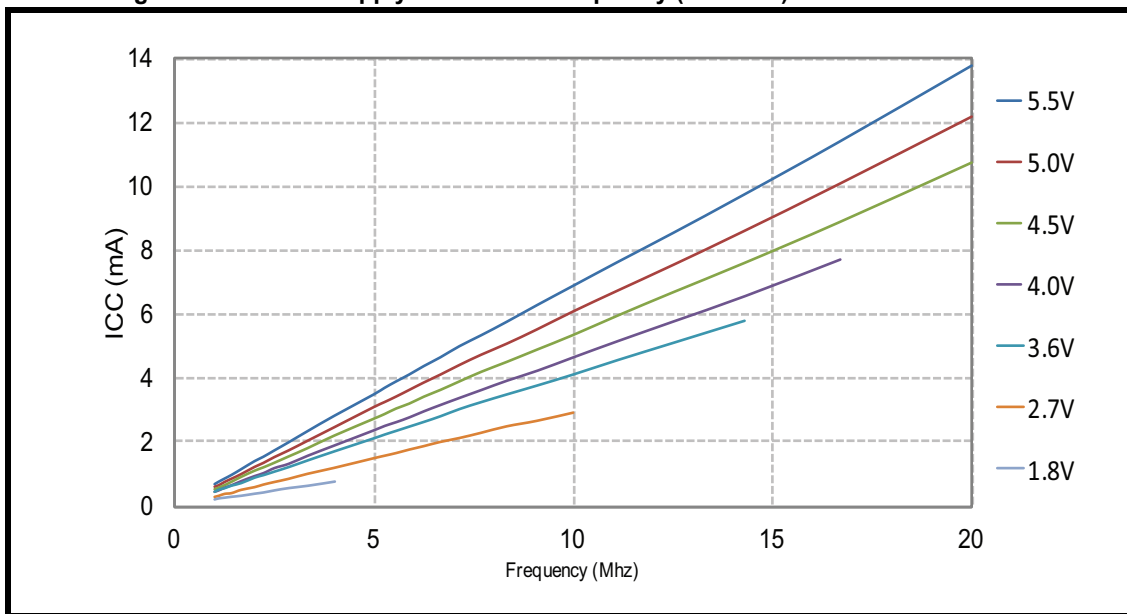


Figure 31-51. ATmega168PB: Active Supply Current vs.  $V_{CC}$  (Internal RC Oscillator, 128kHz)

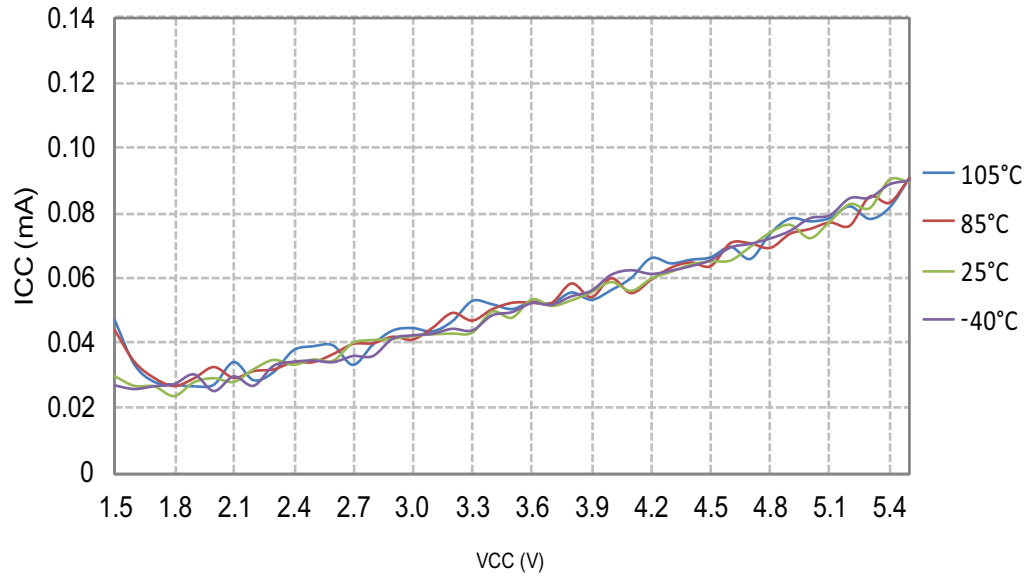


Figure 31-52. ATmega168PB: Active Supply Current vs.  $V_{CC}$  (Internal RC Oscillator, 1MHz)

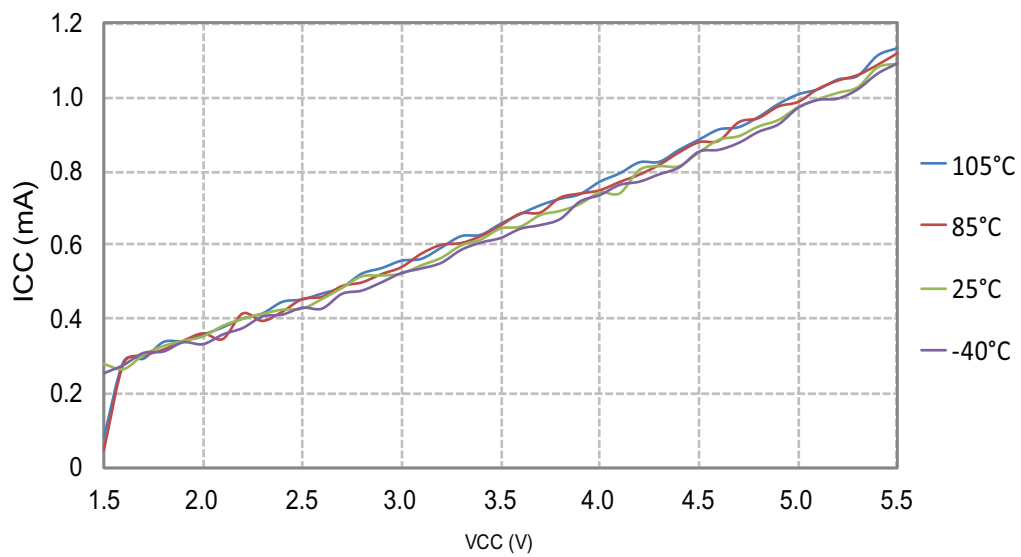
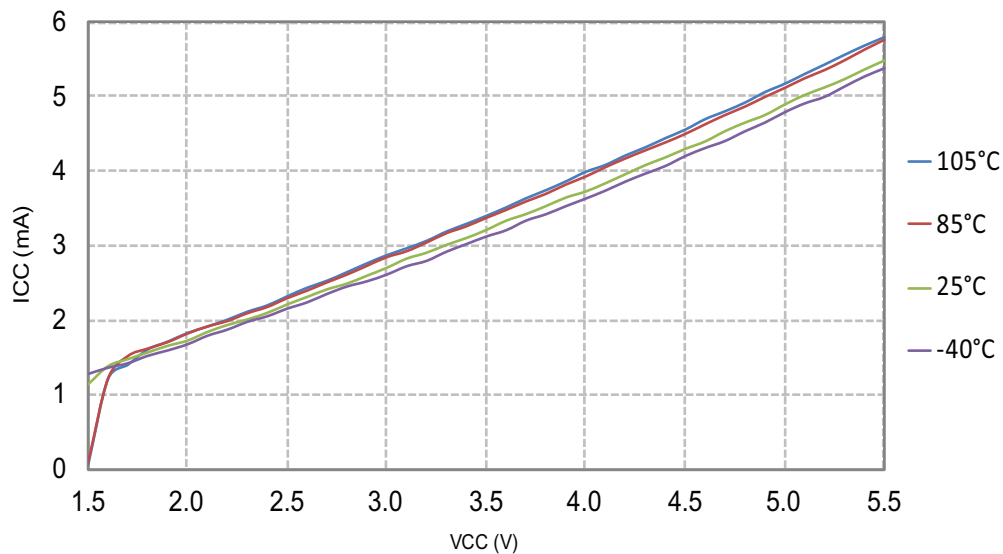


Figure 31-53. ATmega168PB: Active Supply Current vs.  $V_{CC}$  (Internal RC Oscillator, 8MHz)



## 31.2.2 Idle Supply Current

Figure 31-54. ATmega168PB: Idle Supply Current vs. Low Frequency (0.1-1.0MHz)

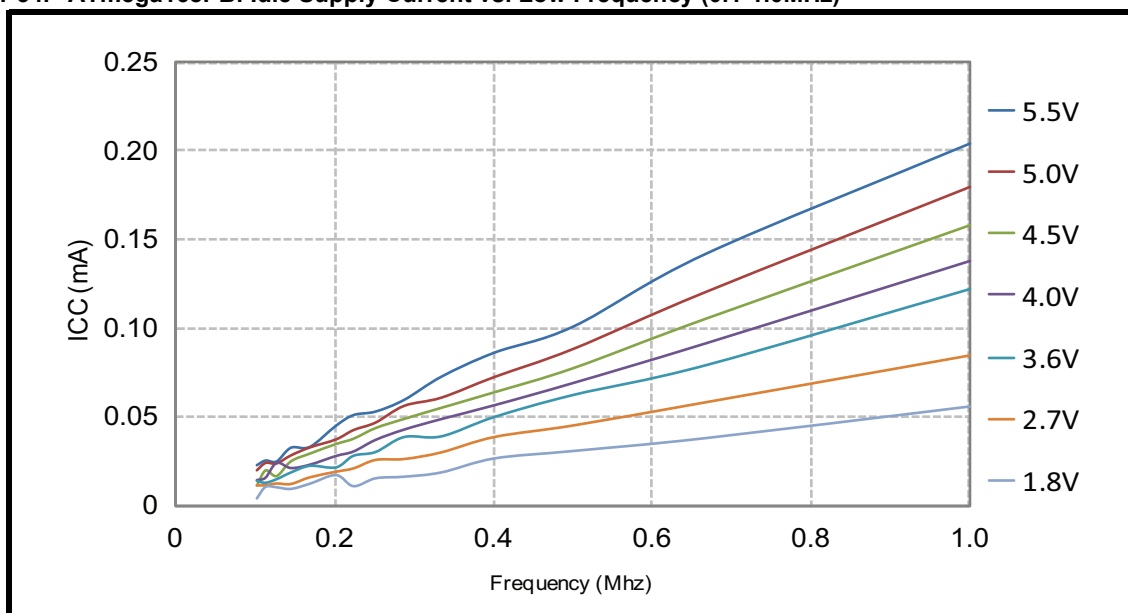


Figure 31-55. ATmega168PB: Idle Supply Current vs. Frequency (1-20MHz)

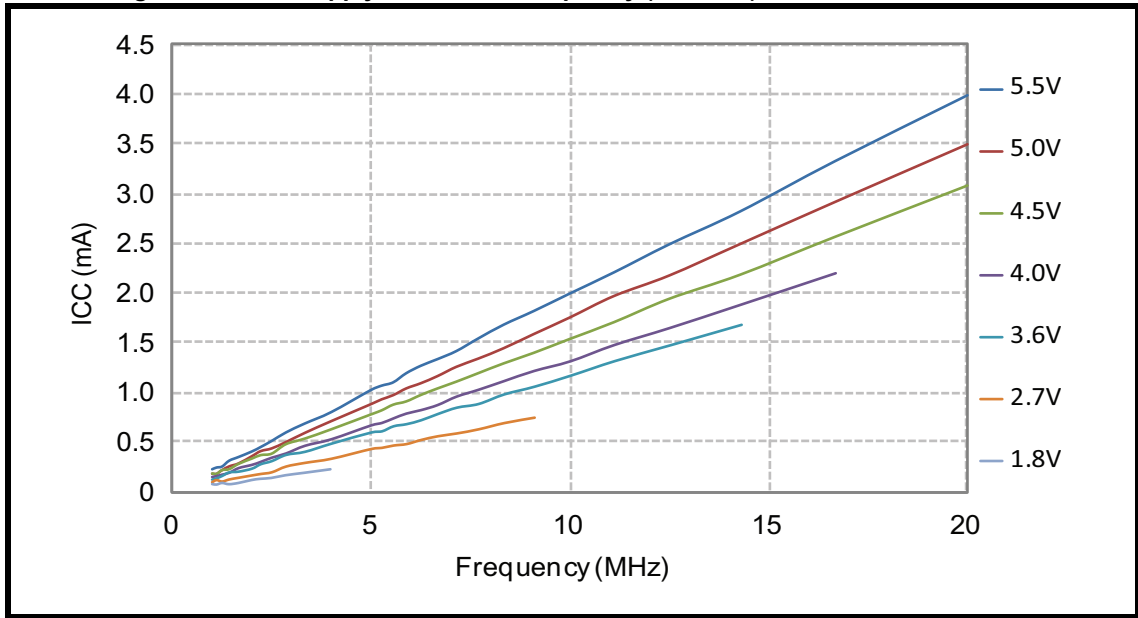


Figure 31-56. ATmega168PB: Idle Supply Current vs. V<sub>CC</sub> (Internal RC Oscillator, 128kHz)

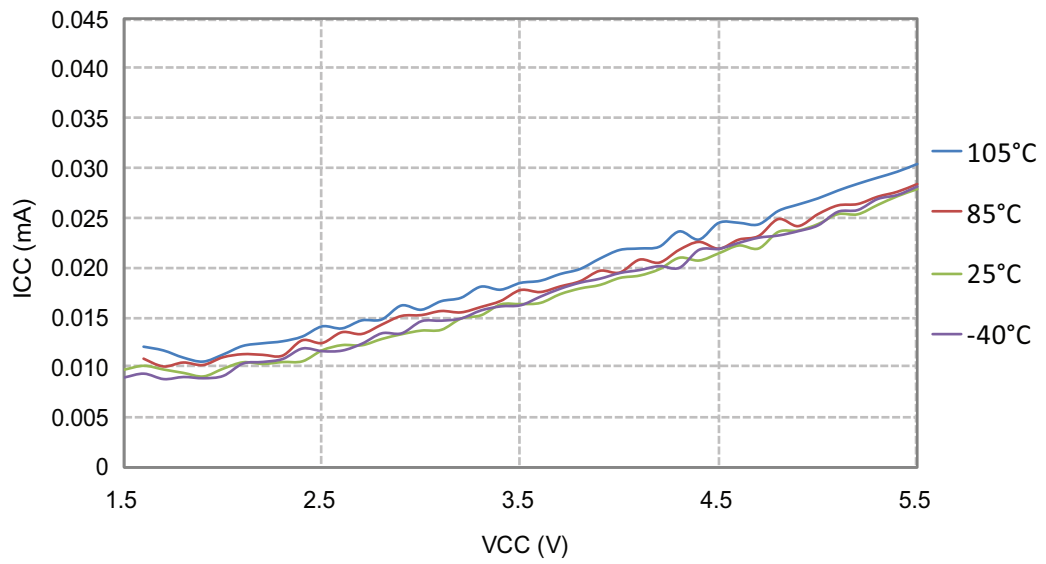


Figure 31-57. ATmega168PB: Idle Supply Current vs.  $V_{CC}$  (Internal RC Oscillator, 1MHz)

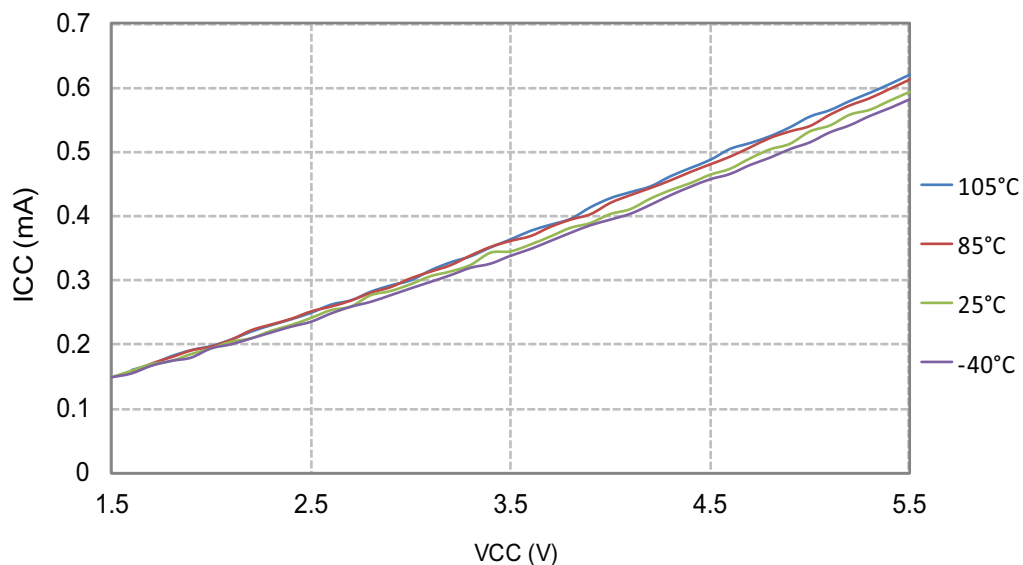
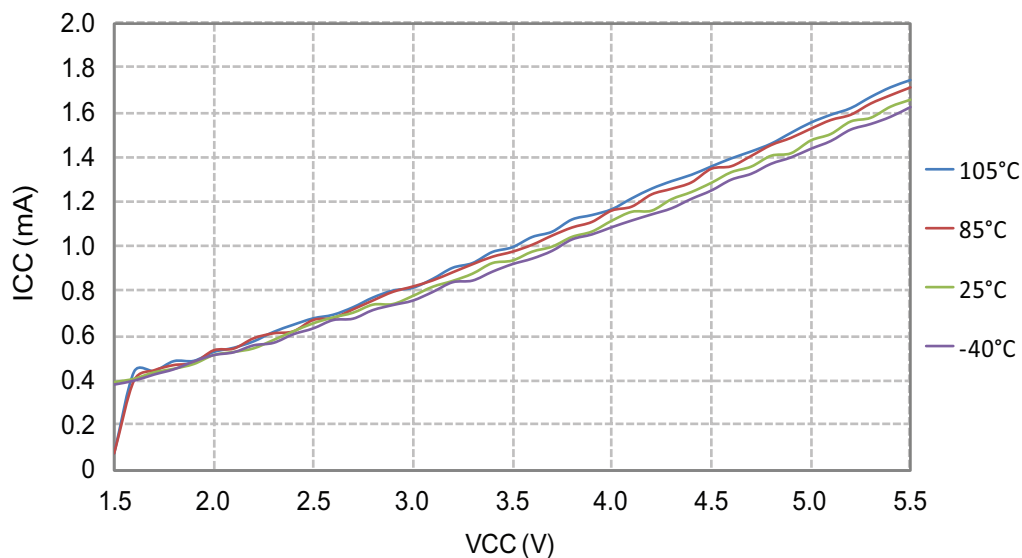


Figure 31-58. ATmega168PB: Idle Supply Current vs.  $V_{CC}$  (Internal RC Oscillator, 8MHz)





### 31.2.3 ATmega168PB Supply Current of IO Modules

The tables and formulas below can be used to calculate the additional current consumption for the different I/O modules in Active and Idle mode. The enabling or disabling of the I/O modules are controlled by the Power Reduction Register. See "Power Reduction Register" on page 49 for details.

**Table 31-3. ATmega168PB: Additional Current Consumption for the different I/O modules (absolute values)**

| PRR bit  | typical numbers @ 25°C         |                                |                                |
|----------|--------------------------------|--------------------------------|--------------------------------|
|          | V <sub>CC</sub> = 2V, F = 1MHz | V <sub>CC</sub> = 3V, F = 4MHz | V <sub>CC</sub> = 5V, F = 8MHz |
| PRUSART0 | 4.56µA                         | 27.0µA                         | 119.75µA                       |
| PRTWI    | 7.81µA                         | 47.38µA                        | 177.75µA                       |
| PRTIM2   | 6.09µA                         | 35.00µA                        | 140.75µA                       |
| PRTIM1   | 5.36µA                         | 35.89µA                        | 134.36µA                       |
| PRTIM0   | 1.00µA                         | 11.41µA                        | 39.88µA                        |
| PRSPI    | 4.79µA                         | 30.5µA                         | 118.13µA                       |
| PRADC    | 4.89µA                         | 32.36µA                        | 128.63µA                       |

**Table 31-4. ATmega168PB: Additional Current Consumption (percentage) in Active and Idle mode (V<sub>CC</sub> = 2V, F = 1MHz)**

| PRR bit  | Additional Current consumption compared to Active with external clock (see Figure 31-49 on page 348 and Figure 31-50 on page 348) | Additional Current consumption compared to Idle with external clock (see Figure 31-54 on page 350 and Figure 31-55 on page 351) |
|----------|---|---|
| PRUSART0 | 2.03%   | 7.58%   |
| PRTWI    | 3.47%   | 12.99%  |
| PRTIM2   | 2.70%   | 10.12%  |
| PRTIM1   | 2.38%   | 8.91%   |
| PRTIM0   | 0.44%   | 1.66%   |
| PRSPI    | 2.13%   | 7.96%   |
| PRADC    | 2.17%   | 8.12%   |

It is possible to calculate the typical current consumption based on the numbers from Table 31-4 on page 353 for other V<sub>CC</sub> and frequency settings than listed in Table 31-3 on page 353.

#### 31.2.3.1 Example

Calculate the expected current consumption in idle mode with TIMER1, ADC, and SPI enabled at V<sub>CC</sub> = 2.0V and F = 1MHz. From Table 31-4 on page 353, third column, we see that we need to add 8.91% for the TIMER1, 8.12% for the ADC, and 7.96% for the SPI module. Reading from Figure 31-54 on page 350, we find that the idle current consumption is ~0.06 mA at V<sub>CC</sub> = 2.0V and F = 1MHz. The total current consumption in idle mode with TIMER1, ADC, and SPI enabled, gives:

$$I_{CC\text{total}} \approx 0.06 \text{ mA} \cdot (1 + 0.0891 + 0.0812 + 0.0796) \approx 0.075 \text{ mA}$$

## 31.2.4 Power-down Supply Current

Figure 31-59. ATmega168PB: Power-Down Supply Current vs.  $V_{CC}$  (Watchdog Timer Disabled)

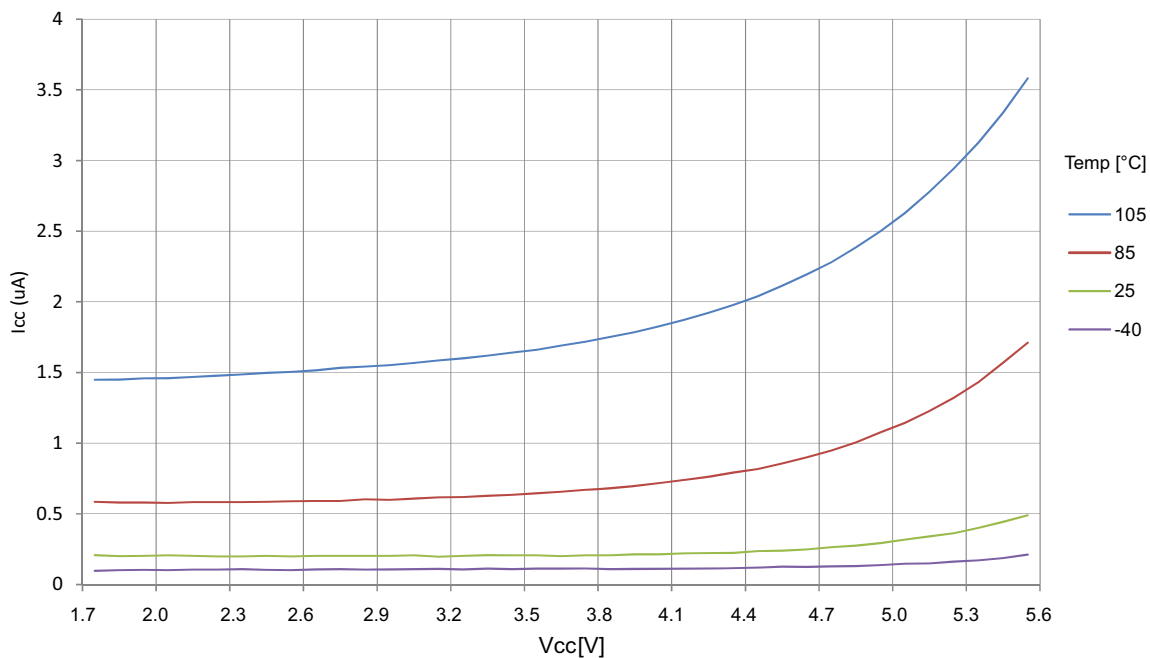
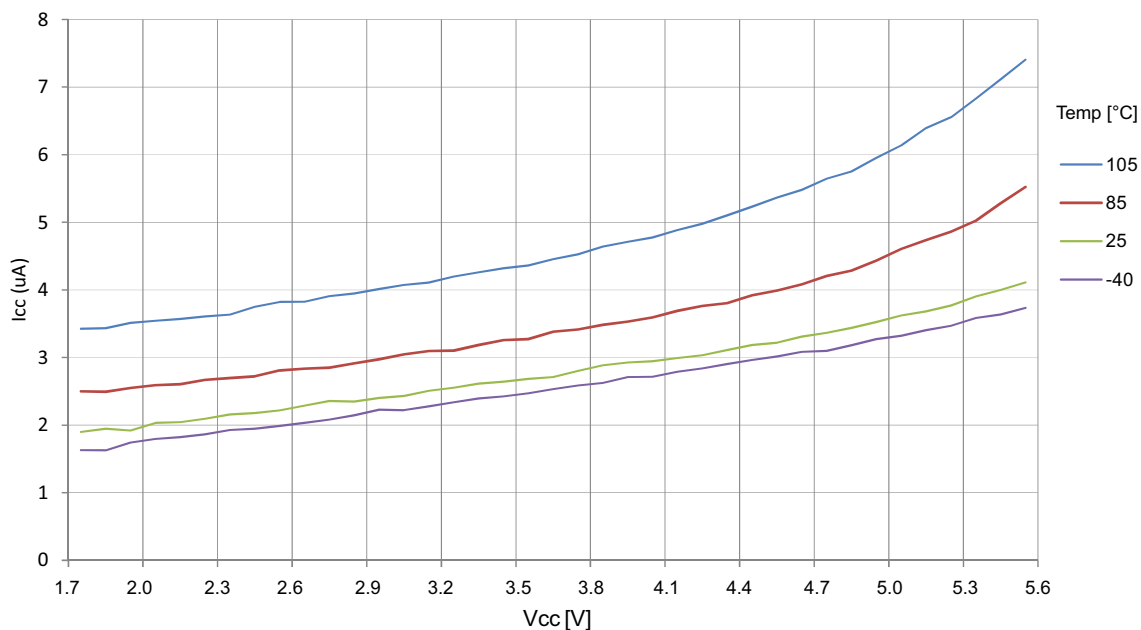
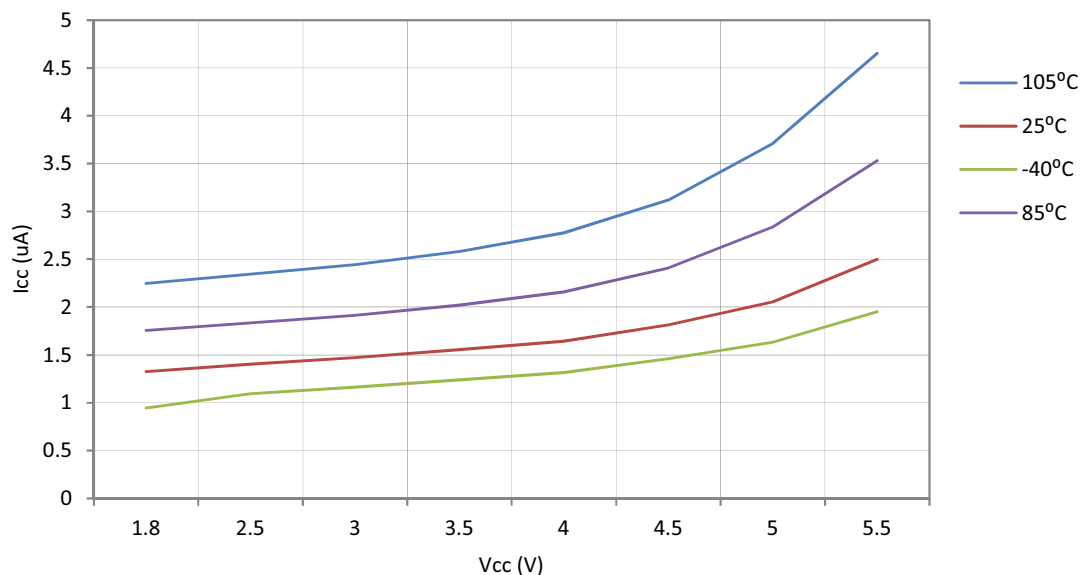


Figure 31-60. ATmega168PB: Power-Down Supply Current vs.  $V_{CC}$  (Watchdog Timer Enabled)



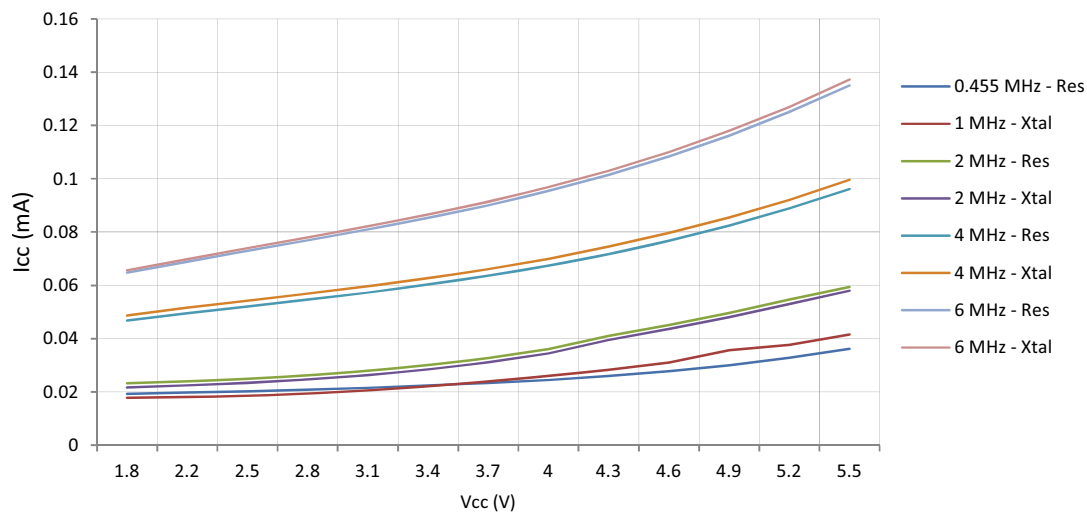
## 31.2.5 Power-save Supply Current

Figure 31-61. ATmega168PB: Power-save Supply Current vs.  $V_{CC}$



## 31.2.6 Power-standby Supply Current

Figure 31-62. ATmega168PB: Power-standby Supply Current vs.  $V_{CC}$



## 31.2.7 Pin Pull-Up

Figure 31-63. ATmega168PB: I/O Pin Pull-up Resistor Current vs. Input Voltage ( $V_{CC} = 1.8V$ )

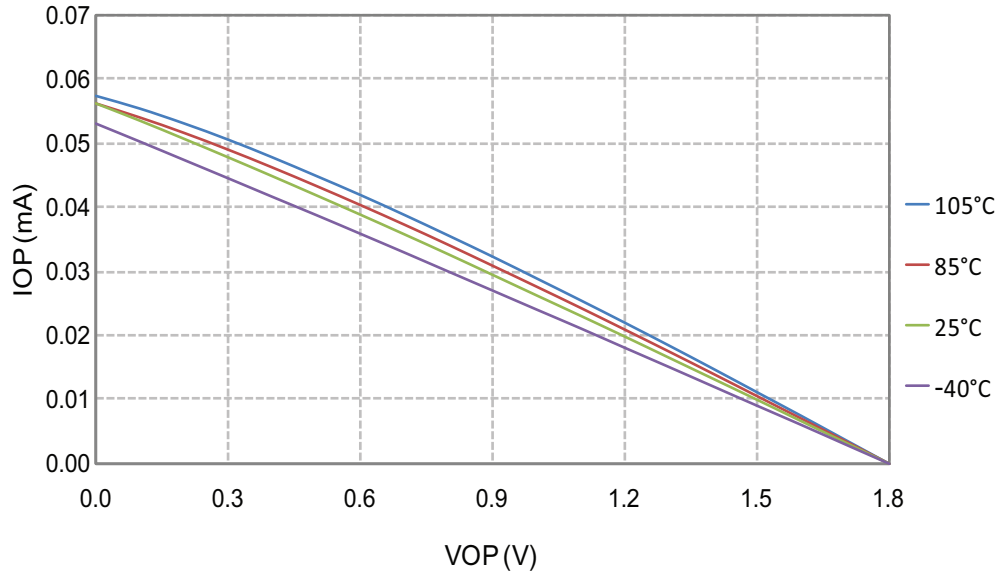


Figure 31-64. ATmega168PB: I/O Pin Pull-up Resistor Current vs. Input Voltage ( $V_{CC} = 2.7V$ )

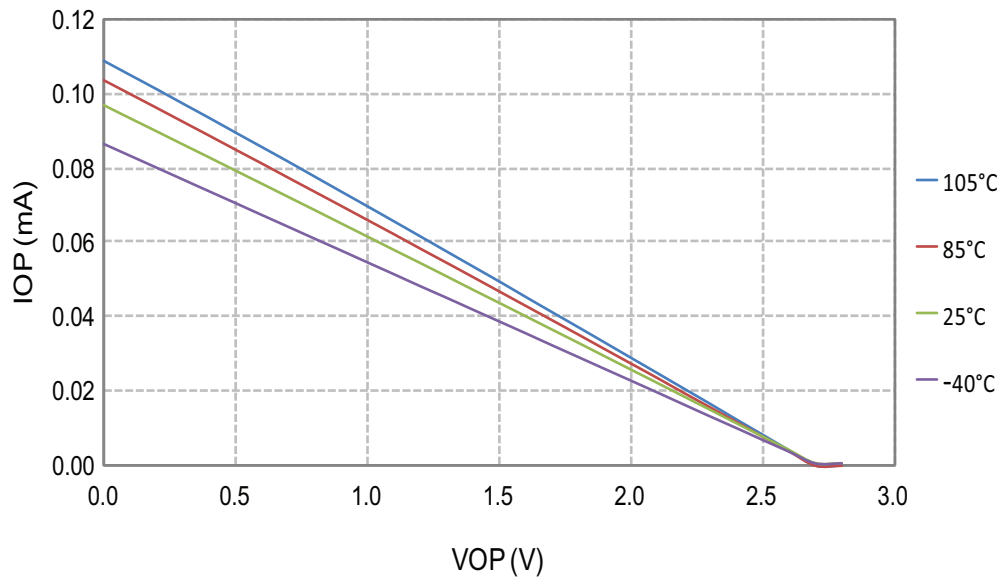


Figure 31-65. ATmega168PB: I/O Pin Pull-up Resistor Current vs. Input Voltage ( $V_{CC} = 5V$ )

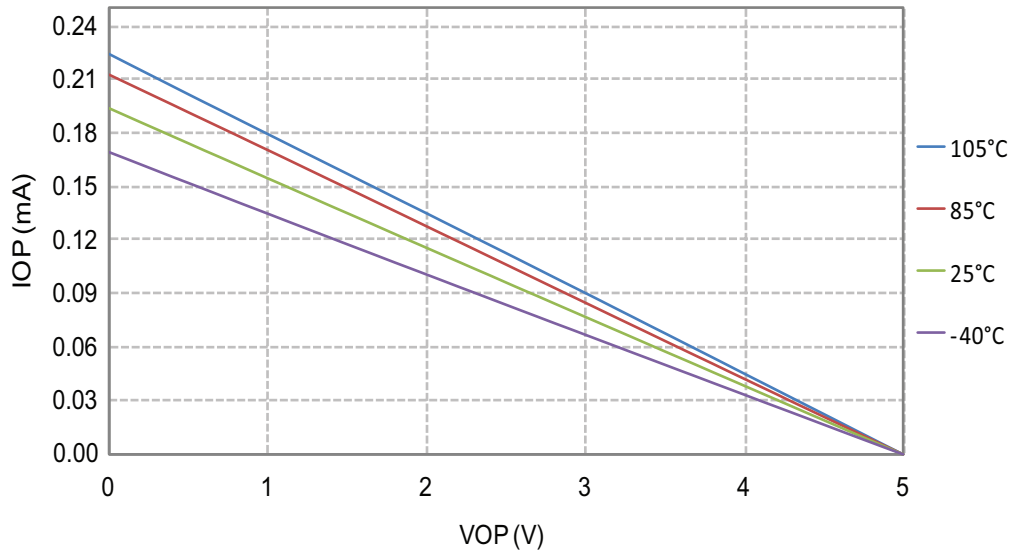
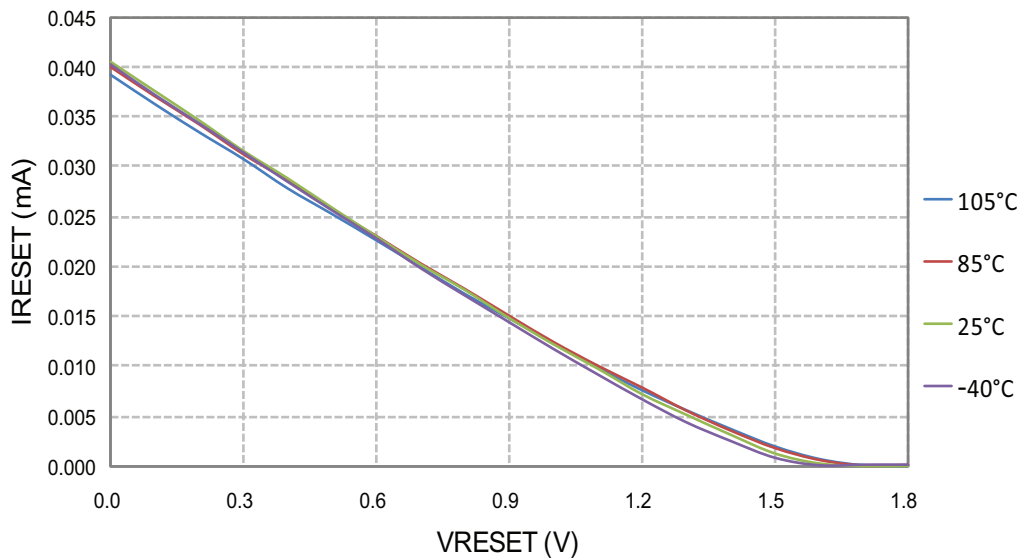
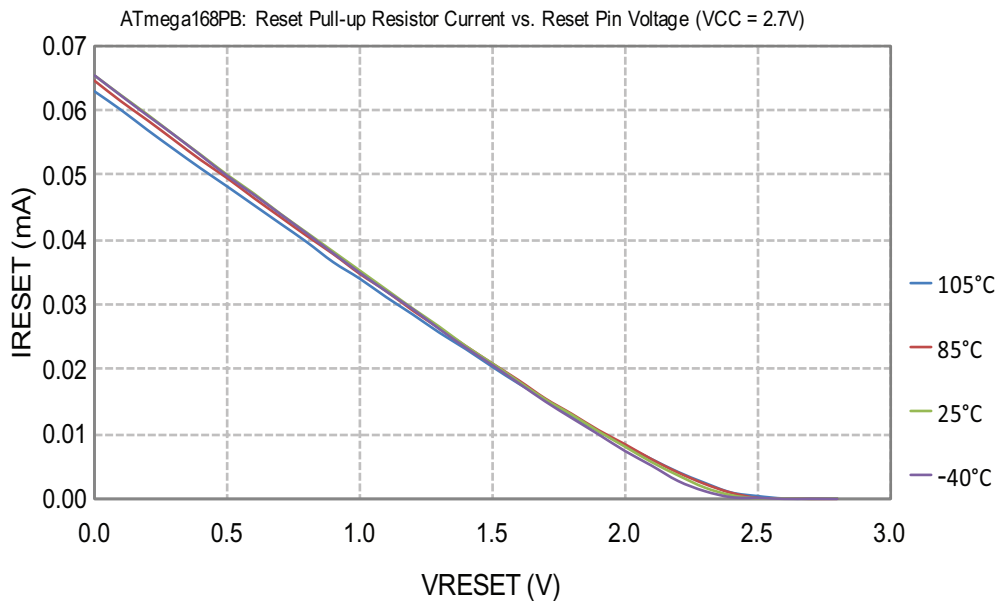


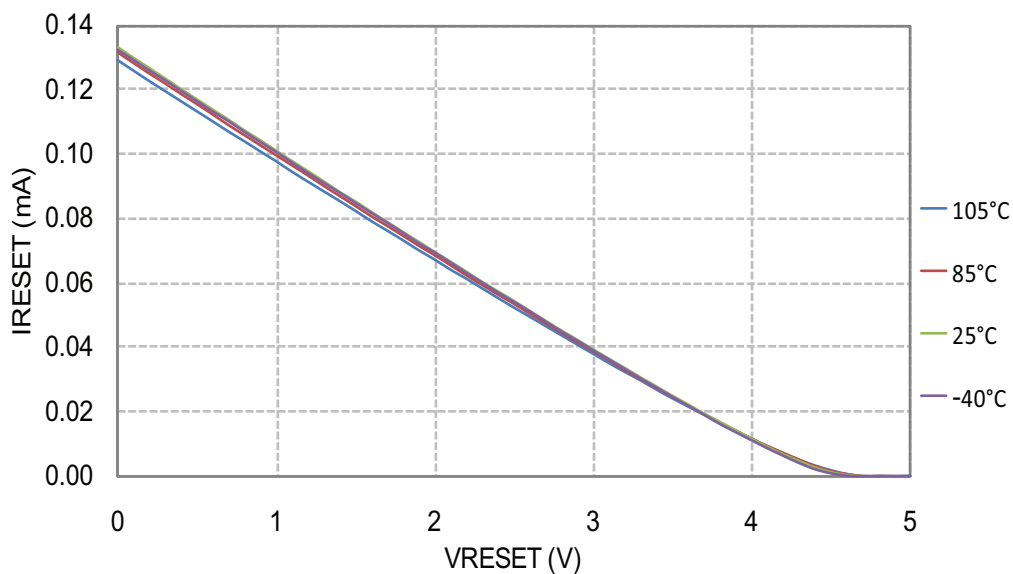
Figure 31-66. ATmega168PB: Reset Pull-up Resistor Current vs. Reset Pin Voltage ( $V_{CC} = 1.8V$ )



**Figure 31-67. ATmega168PB: Reset Pull-up Resistor Current vs. Reset Pin Voltage ( $V_{CC} = 2.7V$ )**



**Figure 31-68. ATmega168PB: Reset Pull-up Resistor Current vs. Reset Pin Voltage ( $V_{CC} = 5V$ )**



## 31.2.8 Pin Driver Strength

Figure 31-69. ATmega168PB: I/O Pin Output Voltage vs. Sink Current ( $V_{CC} = 3V$ )

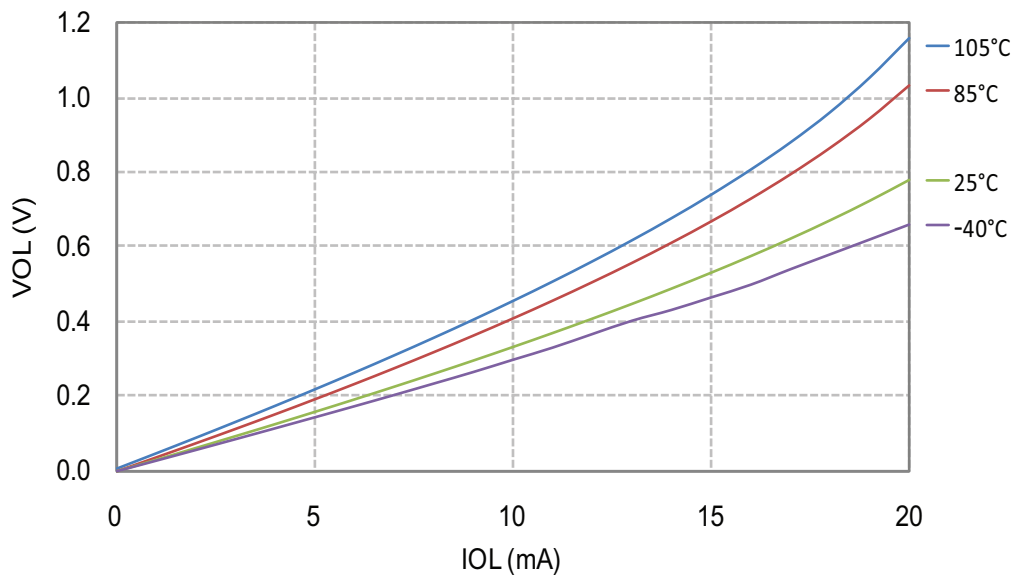


Figure 31-70. ATmega168PB: I/O Pin Output Voltage vs. Sink Current ( $V_{CC} = 5V$ )

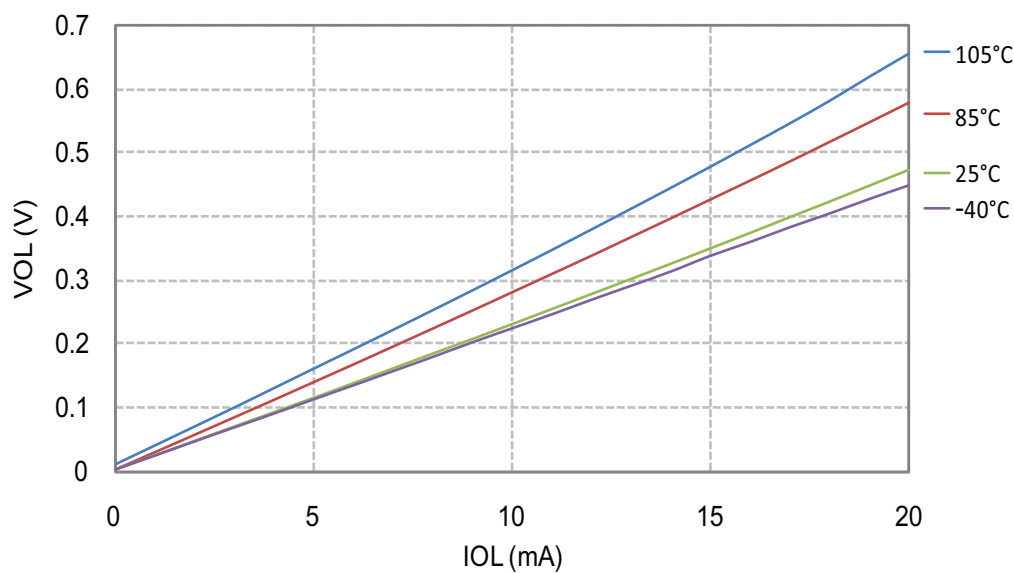


Figure 31-71. ATmega168PB: I/O Pin Output Voltage vs. Source Current ( $V_{CC} = 3V$ )

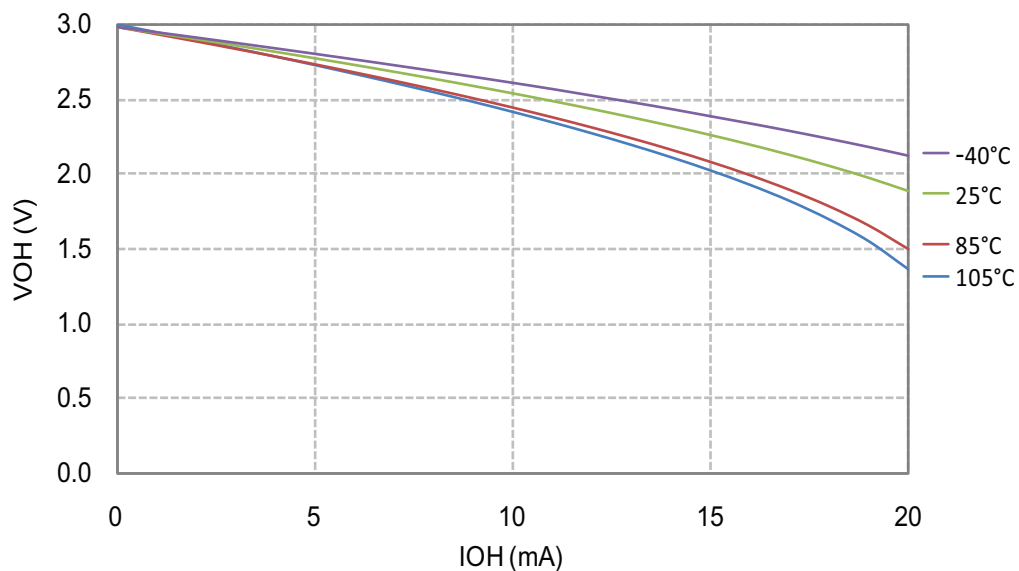
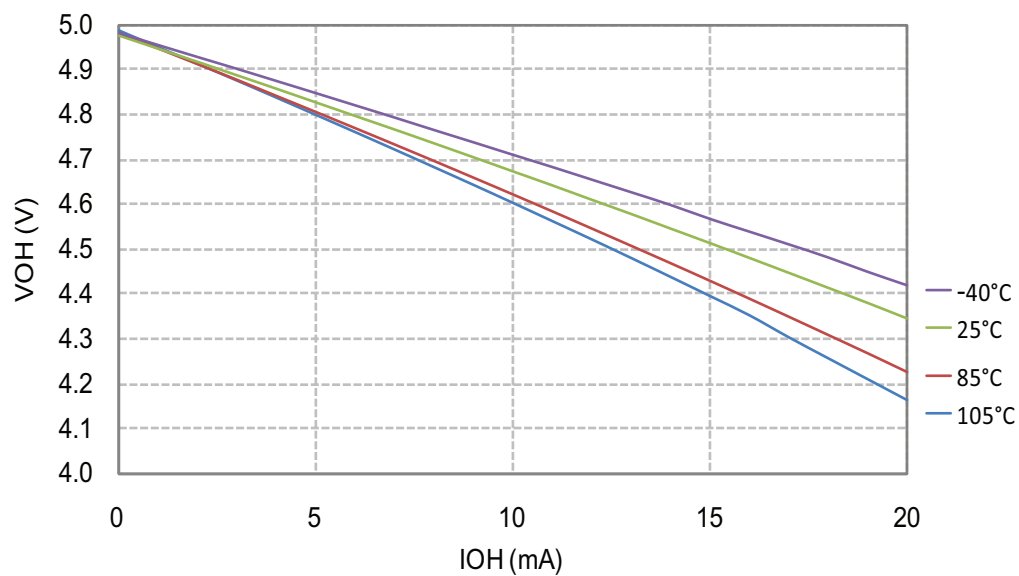


Figure 31-72. ATmega168PB I/O Pin Output Voltage vs. Source Current ( $V_{CC} = 5V$ )





## 31.2.9 Pin Threshold and Hysteresis

Figure 31-73. ATmega168PB I/O Pin Input Threshold Voltage vs.  $V_{CC}$  ( $V_{IH}$ , I/O Pin read as '1')

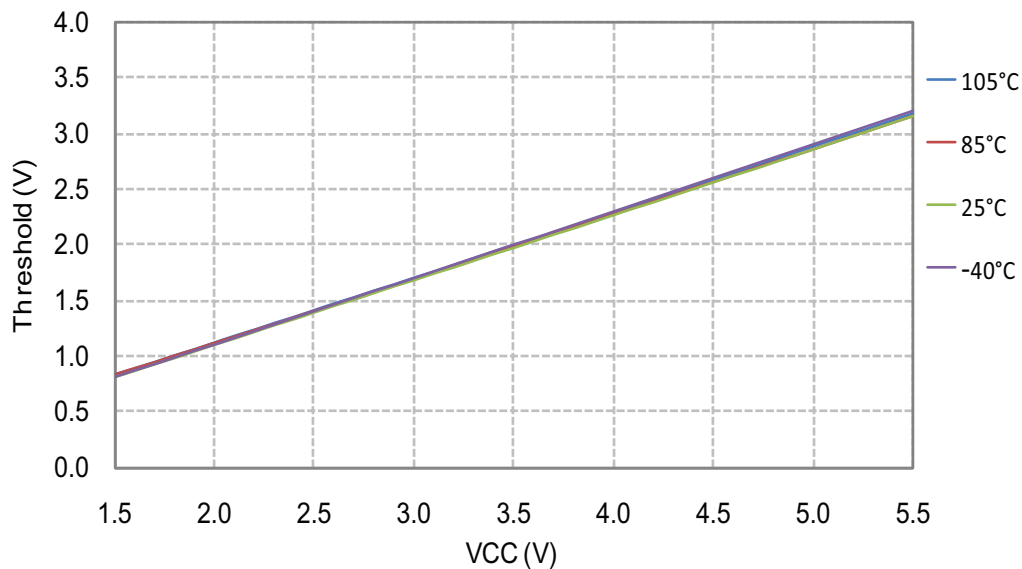


Figure 31-74. ATmega168PB I/O Pin Input Threshold Voltage vs.  $V_{CC}$  ( $V_{IL}$ , I/O Pin read as '0')

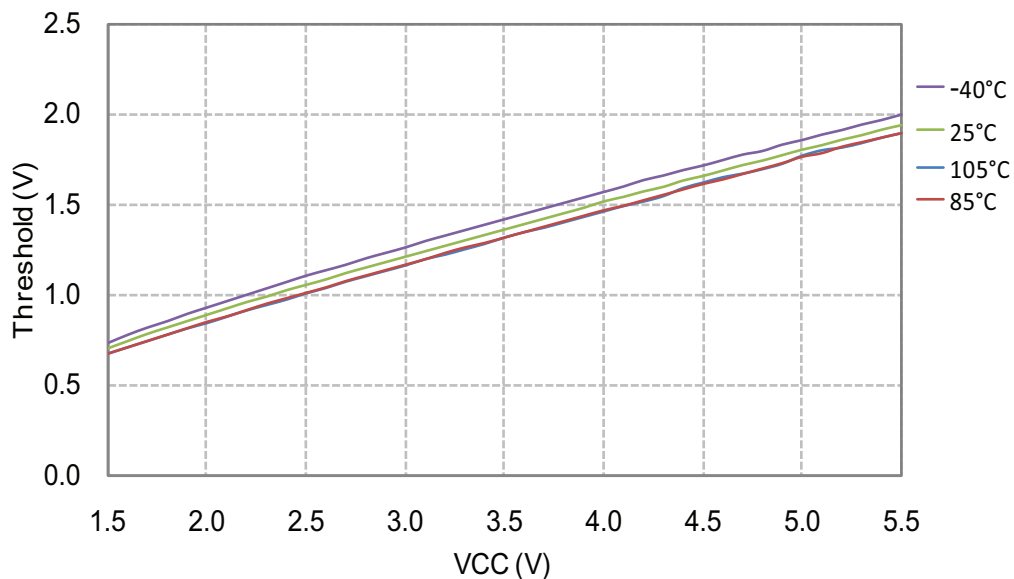


Figure 31-75. ATmega168PB I/O Pin Input Hysteresis vs.  $V_{CC}$

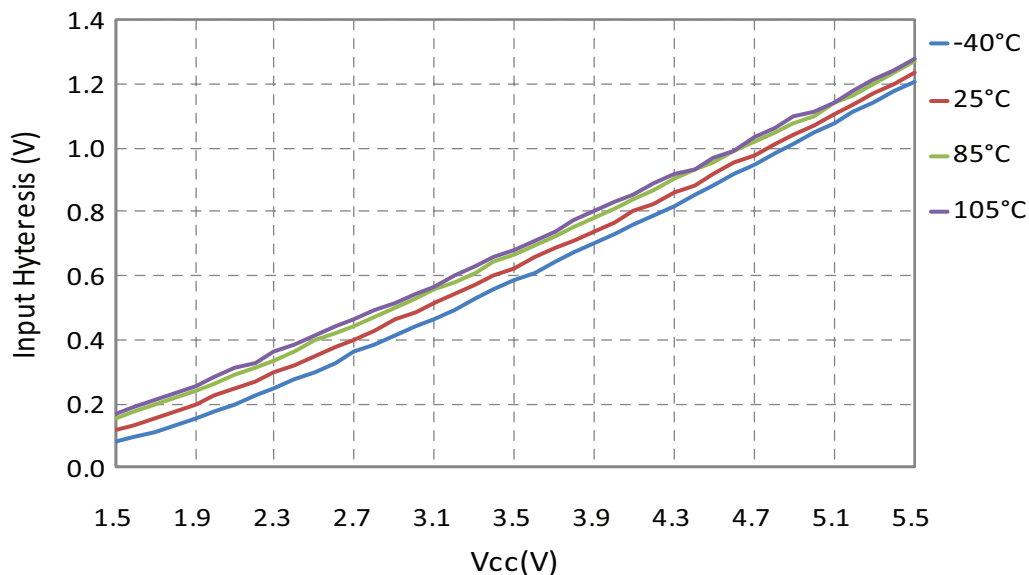


Figure 31-76. ATmega168PB: Reset Input Threshold Voltage vs.  $V_{CC}$  ( $V_{IH}$ , I/O Pin read as '1')

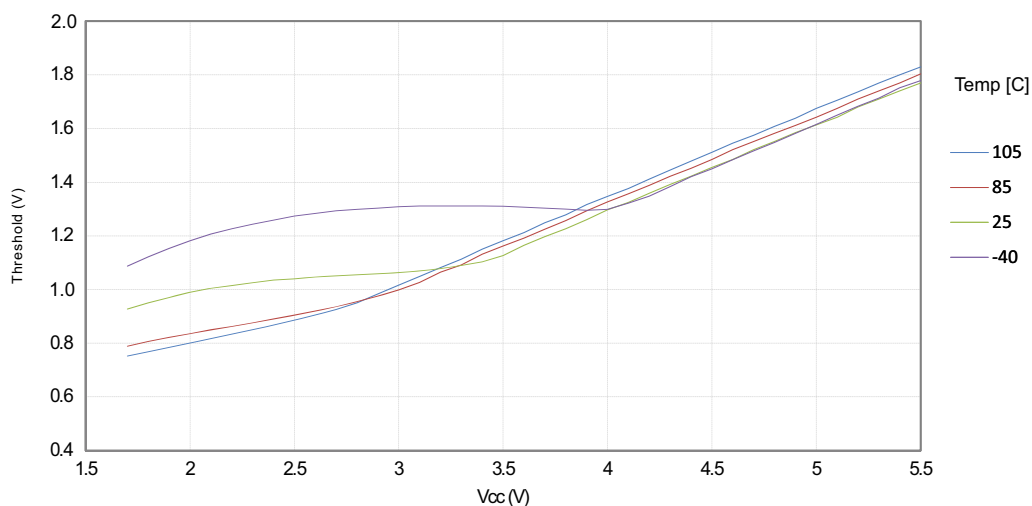


Figure 31-77. ATmega168PB: Reset Input Threshold Voltage vs.  $V_{CC}$  ( $V_{IL}$ , I/O Pin read as '0')

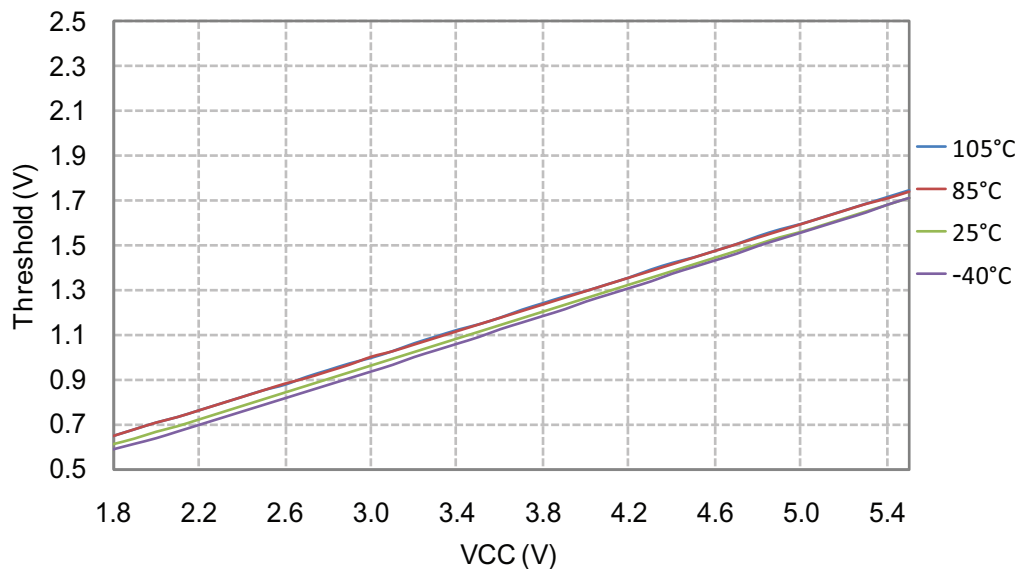
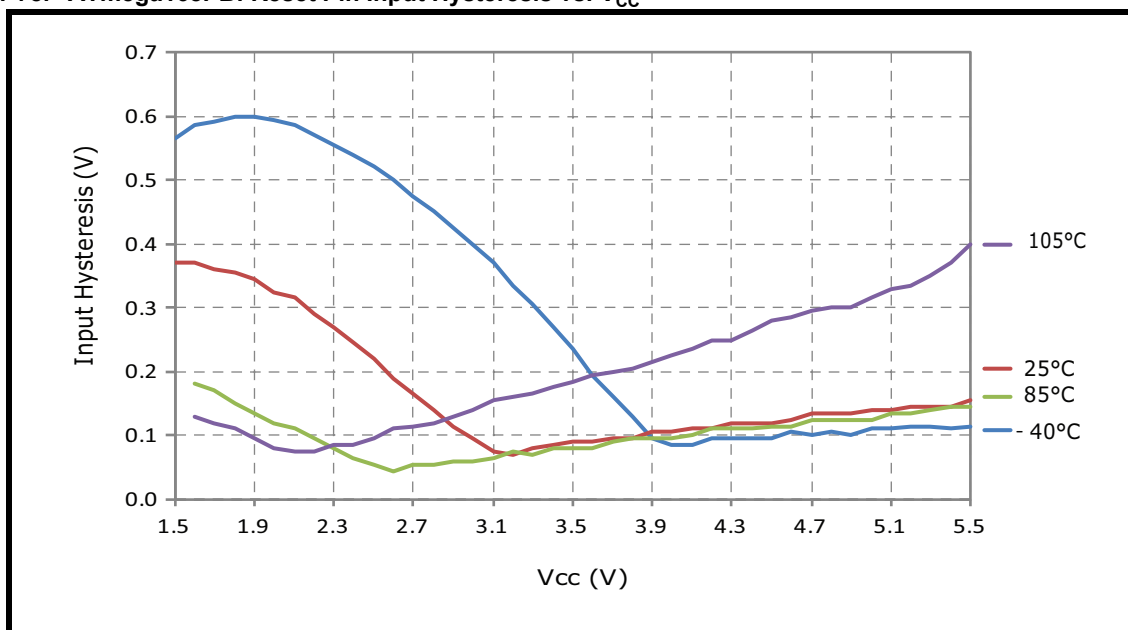


Figure 31-78. ATmega168PB: Reset Pin Input Hysteresis vs.  $V_{CC}$



## 31.2.10 BOD Threshold

Figure 31-79. ATmega168PB: BOD Thresholds vs. Temperature (BODLEVEL is 1.8V)

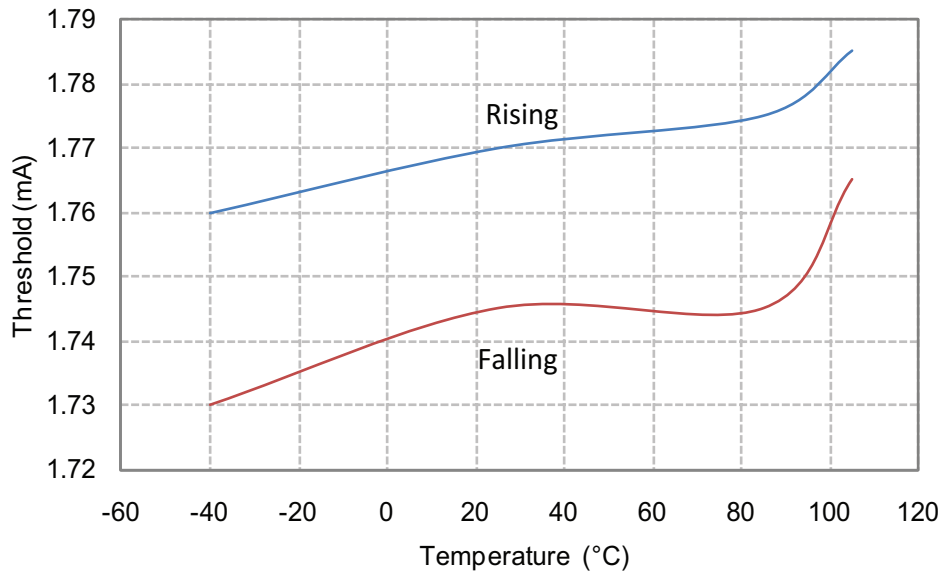


Figure 31-80. ATmega168PB: BOD Thresholds vs. Temperature (BODLEVEL is 2.7V)

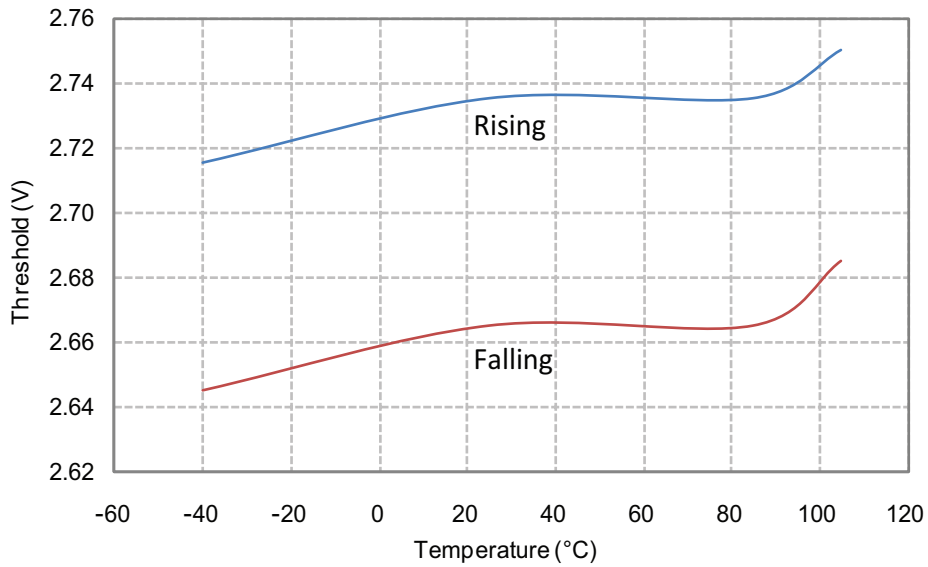


Figure 31-81. ATmega168PB: BOD Thresholds vs. Temperature (BODLEVEL is 4.3V)

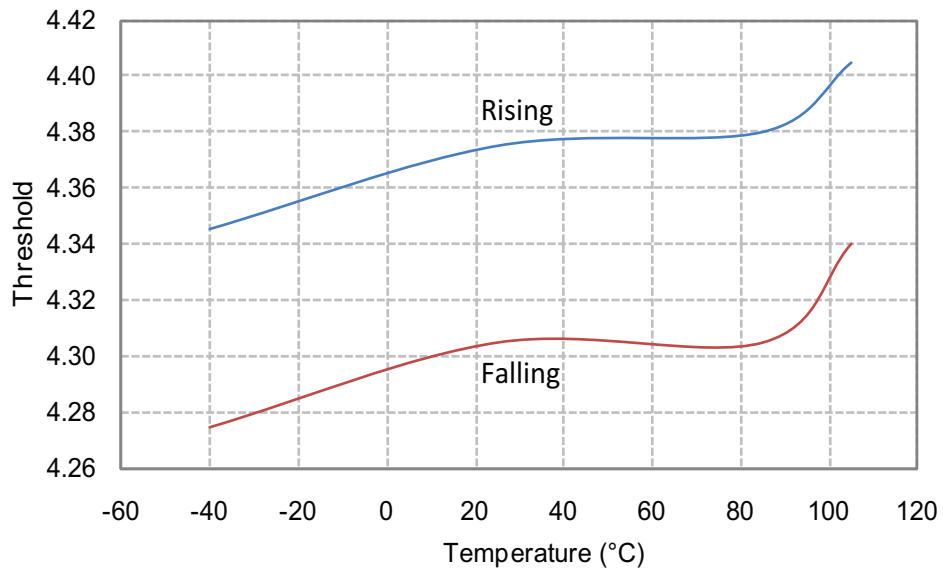
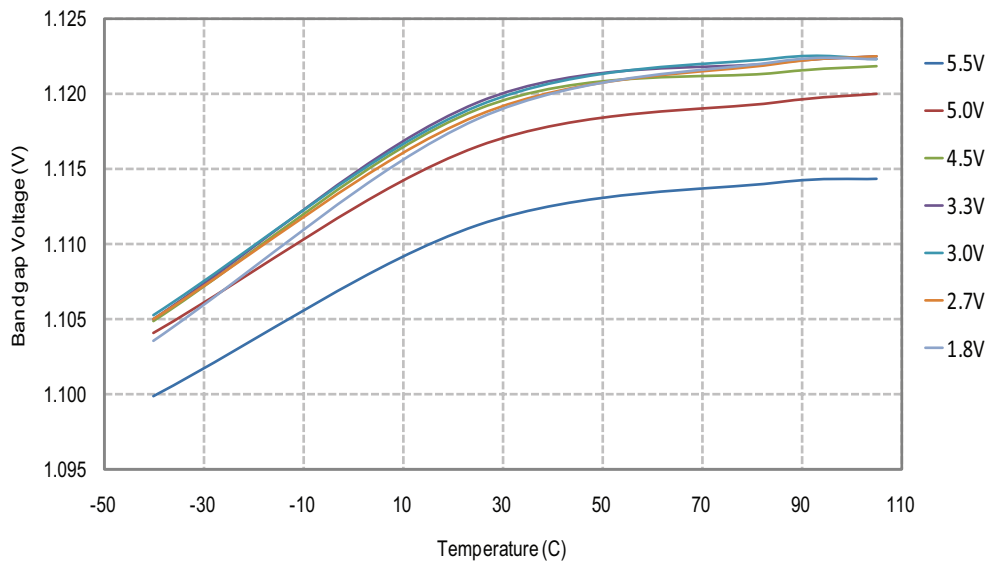
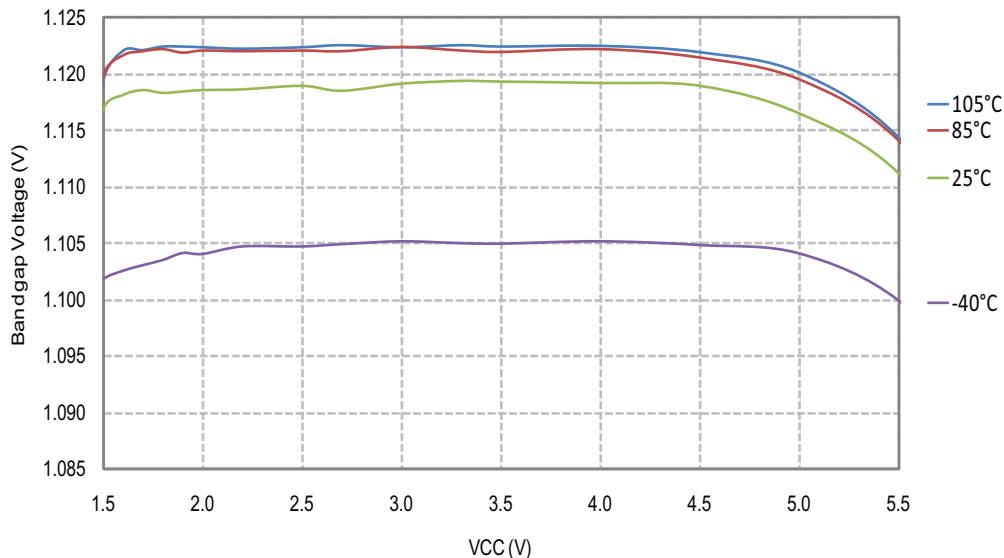


Figure 31-82. ATmega168PB: Calibrated Bandgap Voltage vs. Temperature



**Figure 31-83. ATmega168PB: Calibrated Bandgap Voltage vs. Vcc**



### 31.2.11 Internal Oscillator Speed

**Figure 31-84. ATmega168PB: Watchdog Oscillator Frequency vs. Temperature**

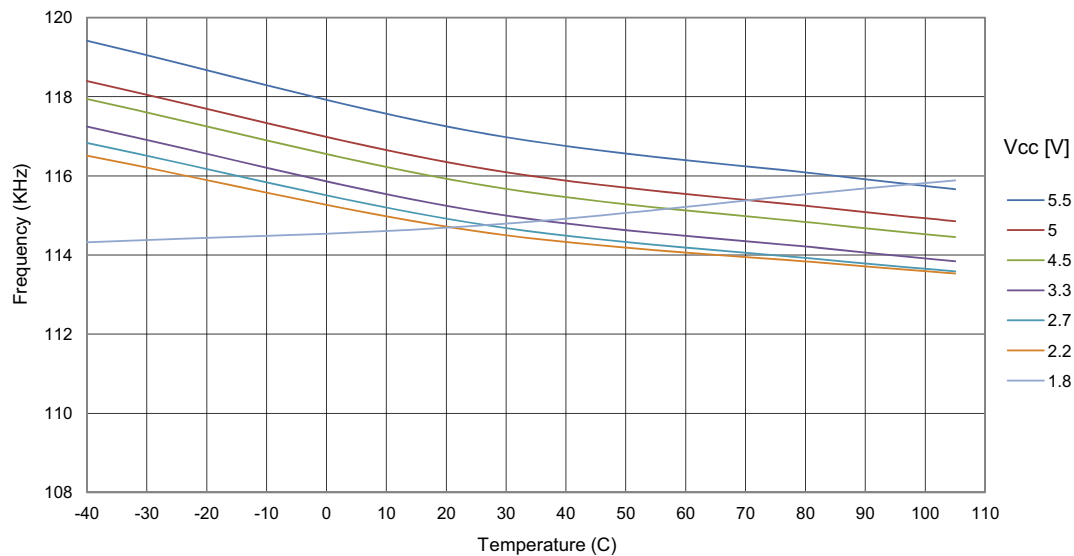


Figure 31-85. ATmega168PB: Watchdog Oscillator Frequency vs.  $V_{CC}$

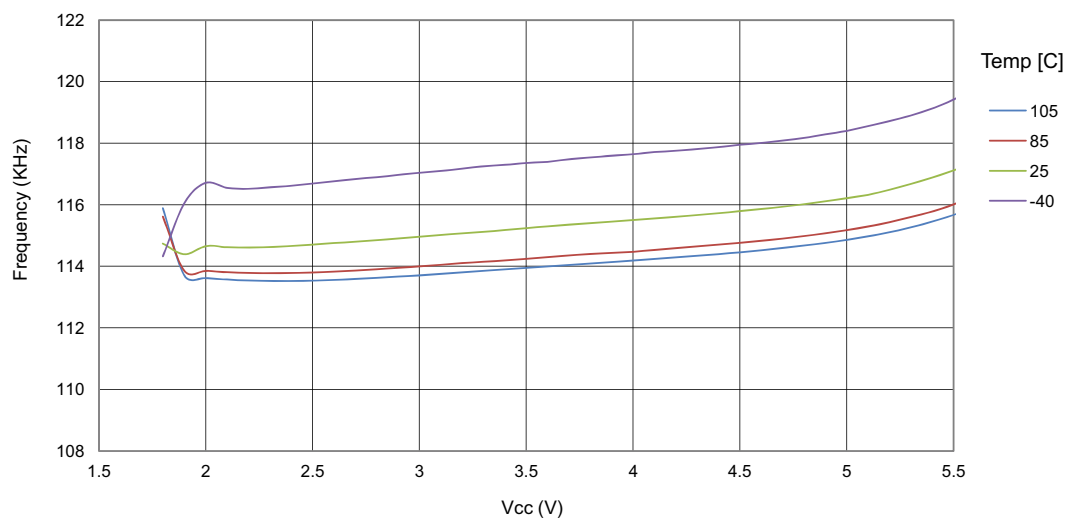
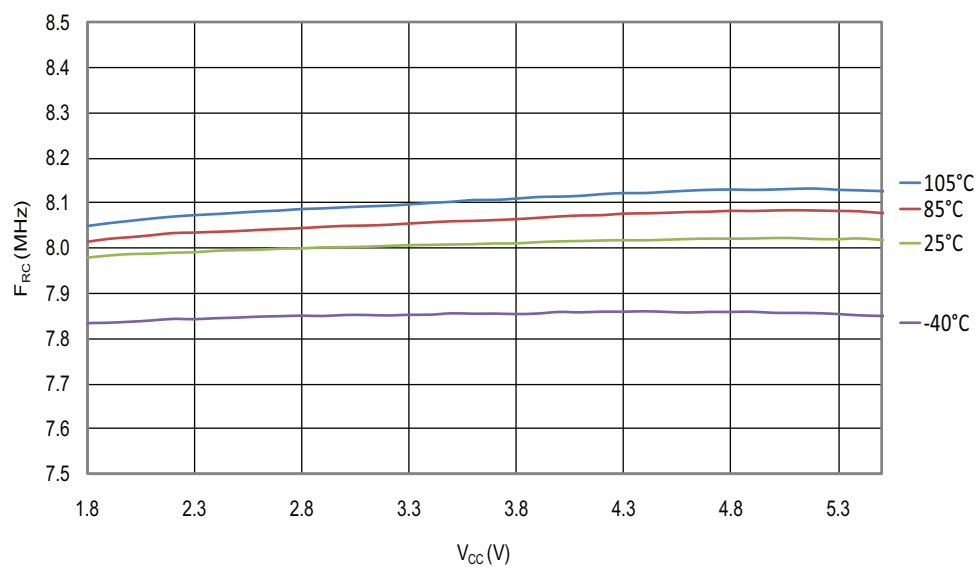
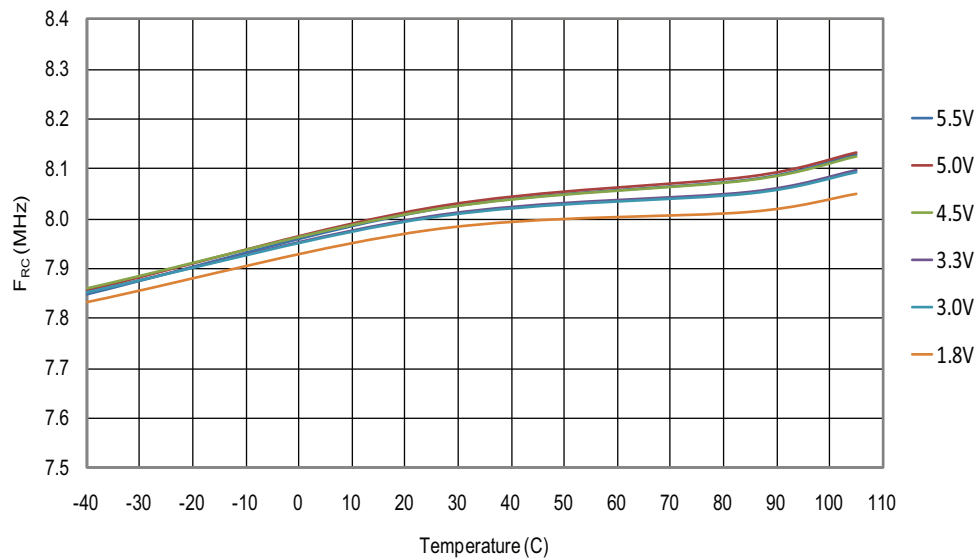


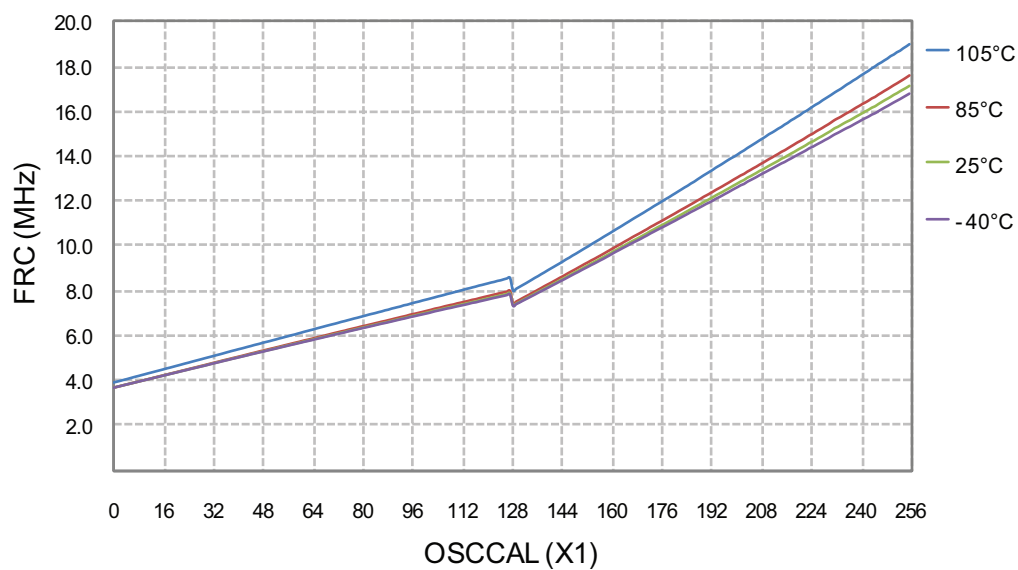
Figure 31-86. ATmega168PB: Calibrated 8MHz RC Oscillator Frequency vs.  $V_{CC}$



**Figure 31-87. ATmega168PB: Calibrated 8MHz RC Oscillator Frequency vs. Temperature**



**Figure 31-88. ATmega168PB: Calibrated 8MHz RC Oscillator Frequency vs. OSCCAL Value**





## 31.2.12 Current Consumption of Peripheral Units

Figure 31-89. ATmega168PB: ADC Current vs.  $V_{CC}$  (AREF =  $AV_{CC}$ )

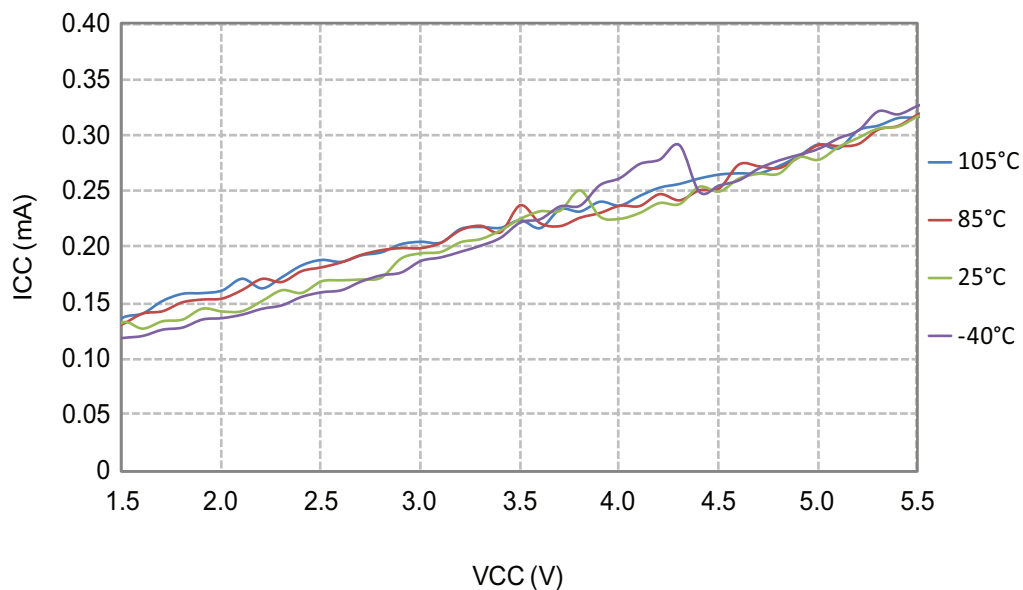


Figure 31-90. ATmega168PB: Analog Comparator Current vs.  $V_{CC}$

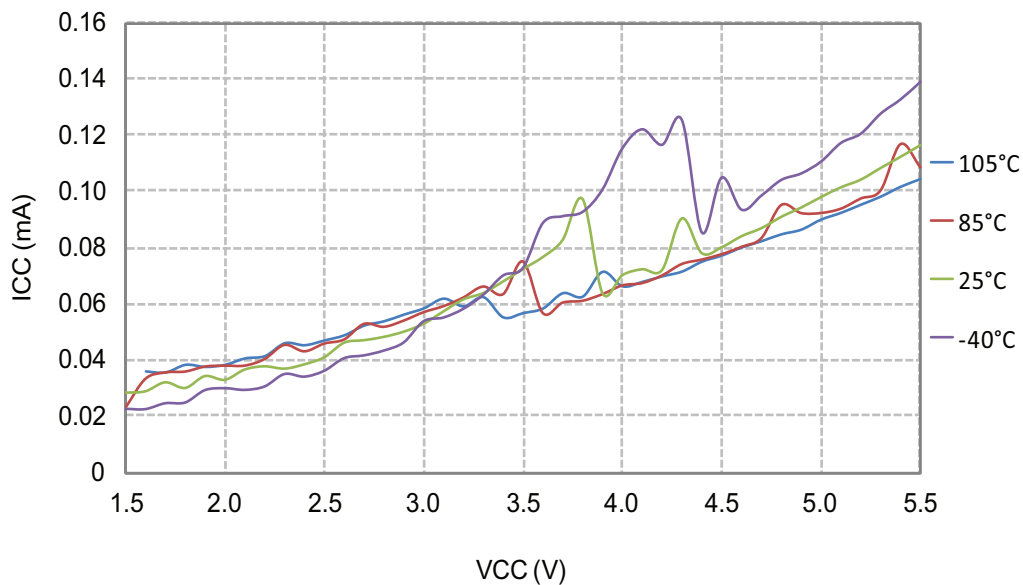


Figure 31-91. ATmega168PB: AREF External Reference Current vs.  $V_{CC}$

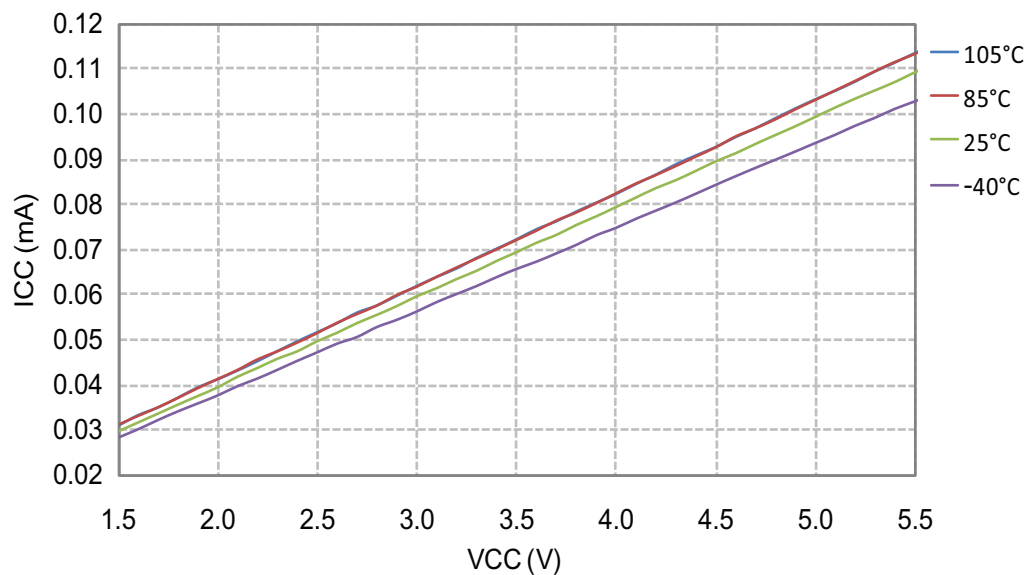


Figure 31-92. ATmega168PB: Brownout Detector Current vs.  $V_{CC}$

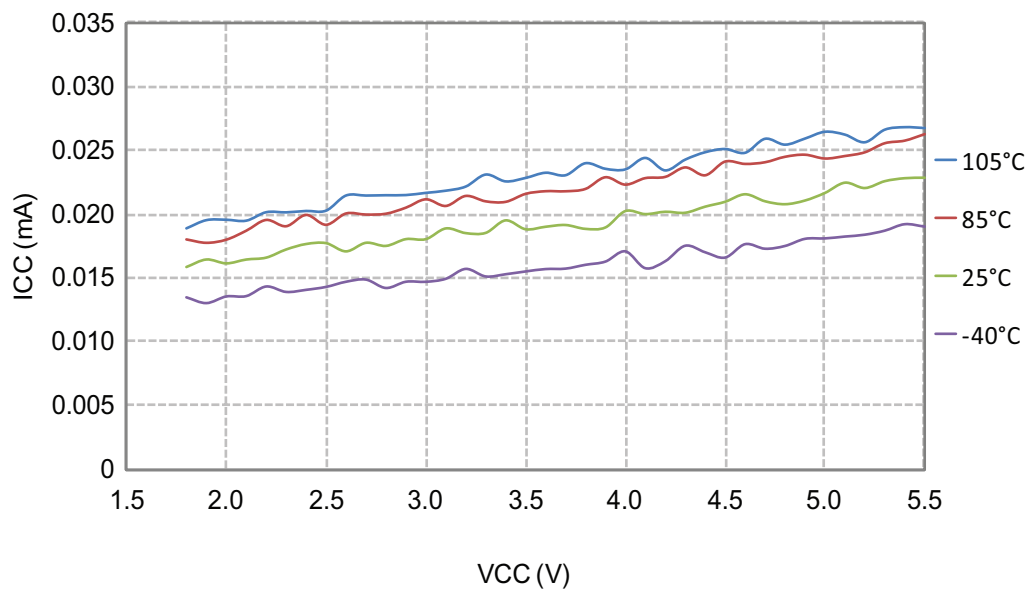
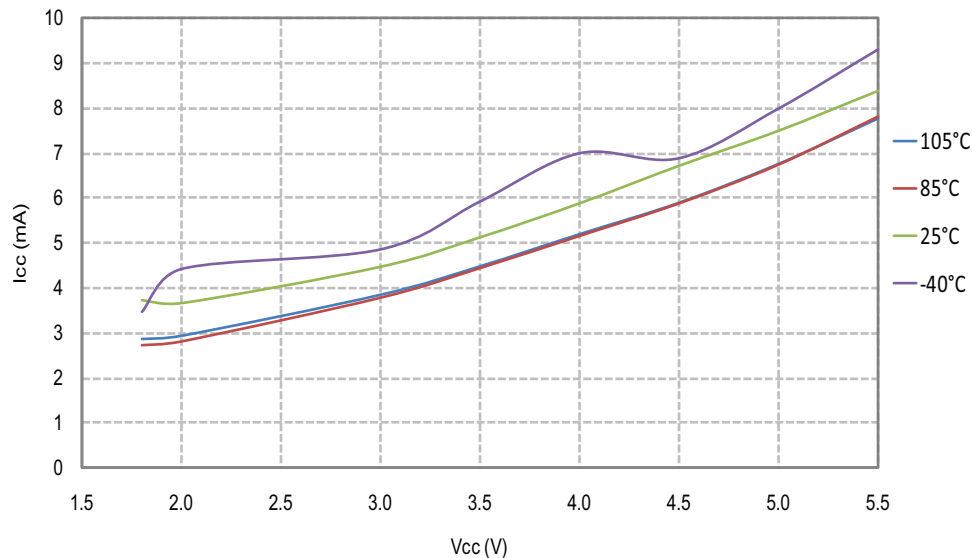


Figure 31-93. ATmega168PB: Programming Current vs.  $V_{CC}$



### 31.2.13 Current Consumption in Reset and Reset Pulse width

Figure 31-94. ATmega168PB: Reset Supply Current vs. Low Frequency (0.1MHz - 1.0MHz)

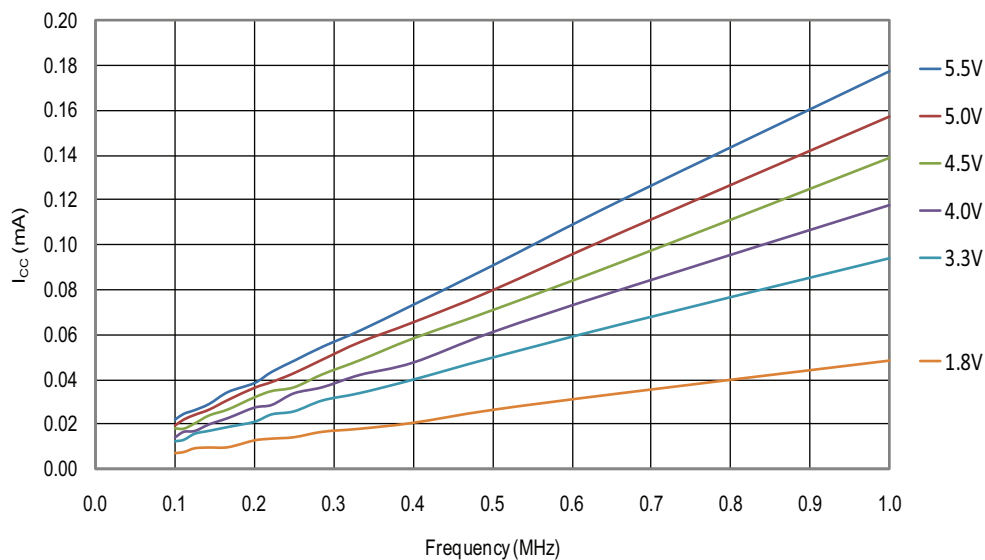


Figure 31-95. ATmega168PB: Reset Supply Current vs. Frequency (1MHz - 20MHz)

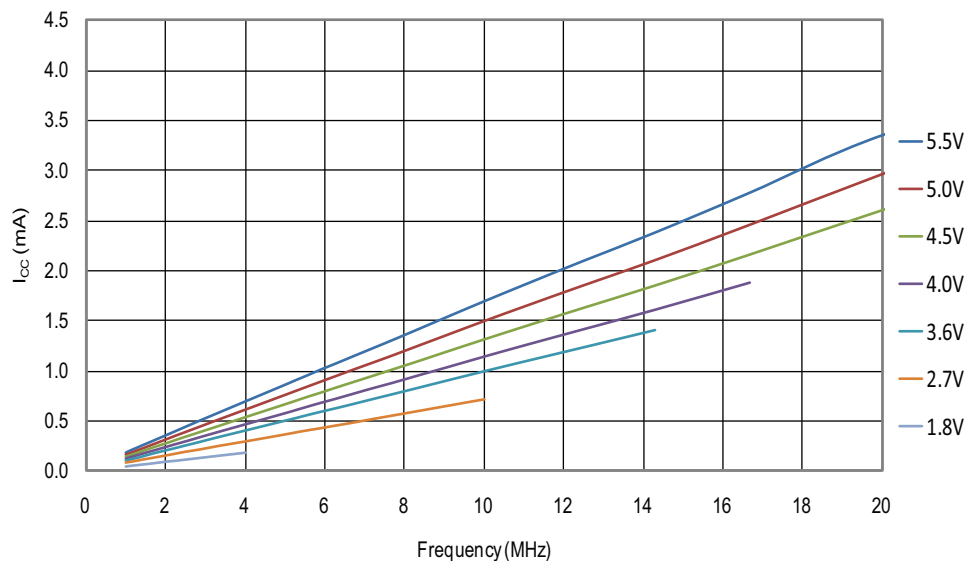
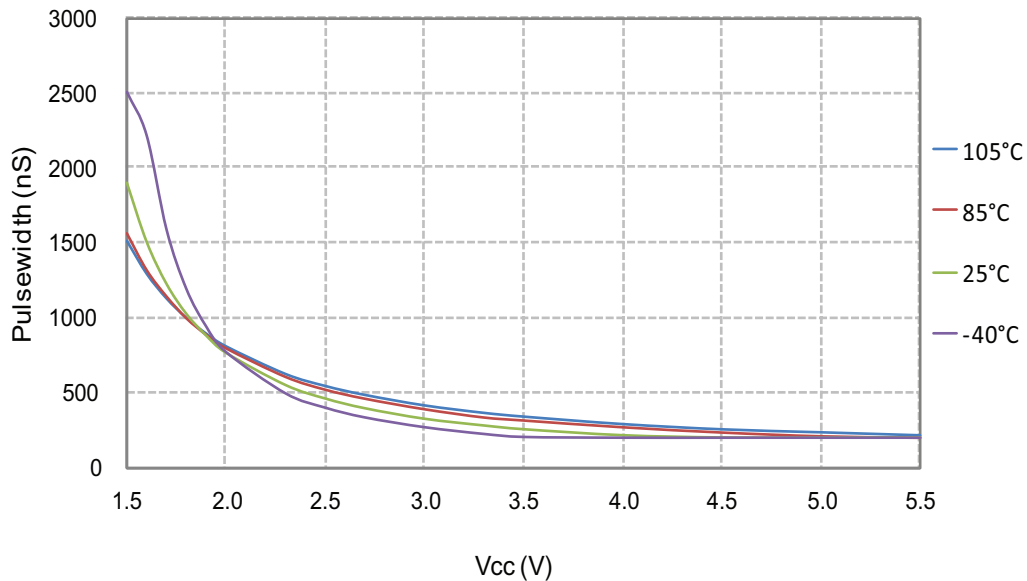


Figure 31-96. ATmega168PB: Minimum Reset Pulse Width vs. Vcc



## 31.3

## 32. Register Summary

| Address | Name     | Bit 7                        | Bit 6   | Bit 5 | Bit 4 | Bit 3                         | Bit 2           | Bit 1           | Bit 0  | Page    |
|---------|----------|------------------------------|---------|-------|-------|-------------------------------|-----------------|-----------------|--------|---------|
| (0xFF)  | Reserved | –                            | –       | –     | –     | –                             | –               | –               | –      |         |
| (0xFE)  | Reserved | –                            | –       | –     | –     | –                             | –               | –               | –      |         |
| (0xFD)  | Reserved | –                            | –       | –     | –     | –                             | –               | –               | –      |         |
| (0xFC)  | Reserved | –                            | –       | –     | –     | –                             | –               | –               | –      |         |
| (0xFB)  | Reserved | –                            | –       | –     | –     | –                             | –               | –               | –      |         |
| (0xFA)  | Reserved | –                            | –       | –     | –     | –                             | –               | –               | –      |         |
| (0xF9)  | Reserved | –                            | –       | –     | –     | –                             | –               | –               | –      |         |
| (0xF8)  | SNOBR5   | Serial Number Byte 5         |         |       |       |                               |                 |                 |        | 35      |
| (0xF7)  | SNOBR4   | Serial Number Byte 4         |         |       |       |                               |                 |                 |        | 35      |
| (0xF6)  | SNOBR3   | Serial Number Byte 3         |         |       |       |                               |                 |                 |        | 35      |
| (0xF5)  | SNOBR2   | Serial Number Byte 2         |         |       |       |                               |                 |                 |        | 35      |
| (0xF4)  | SNOBR1   | Serial Number Byte 1         |         |       |       |                               |                 |                 |        | 35      |
| (0xF3)  | SNOBR0   | Serial Number Byte 0         |         |       |       |                               |                 |                 |        | 35      |
| (0xF2)  | SNOBR6   | Serial Number Byte 6         |         |       |       |                               |                 |                 |        | 35      |
| (0xF1)  | SNOBR7   | Serial Number Byte 7         |         |       |       |                               |                 |                 |        | 35      |
| (0xF0)  | SNOBR8   | Serial Number Byte 8         |         |       |       |                               |                 |                 |        | 35      |
| (0xEF)  | Reserved | –                            | –       | –     | –     | –                             | –               | –               | –      |         |
| (0xEE)  | Reserved | –                            | –       | –     | –     | –                             | –               | –               | –      |         |
| (0xED)  | Reserved | –                            | –       | –     | –     | –                             | –               | –               | –      |         |
| (0xEC)  | Reserved | –                            | –       | –     | –     | –                             | –               | –               | –      |         |
| (0xEB)  | Reserved | –                            | –       | –     | –     | –                             | –               | –               | –      |         |
| (0xEA)  | Reserved | –                            | –       | –     | –     | –                             | –               | –               | –      |         |
| (0xE9)  | Reserved | –                            | –       | –     | –     | –                             | –               | –               | –      |         |
| (0xE8)  | Reserved | –                            | –       | –     | –     | –                             | –               | –               | –      |         |
| (0xE7)  | Reserved | –                            | –       | –     | –     | –                             | –               | –               | –      |         |
| (0xE6)  | Reserved | –                            | –       | –     | –     | –                             | –               | –               | –      |         |
| (0xE5)  | Reserved | –                            | –       | –     | –     | –                             | –               | –               | –      |         |
| (0xE4)  | Reserved | –                            | –       | –     | –     | –                             | –               | –               | –      |         |
| (0xE3)  | Reserved | –                            | –       | –     | –     | –                             | –               | –               | –      |         |
| (0xE2)  | Reserved | –                            | –       | –     | –     | –                             | –               | –               | –      |         |
| (0xE1)  | Reserved | –                            | –       | –     | –     | –                             | –               | –               | –      |         |
| (0xE0)  | Reserved | –                            | –       | –     | –     | –                             | –               | –               | –      |         |
| (0xDF)  | Reserved | –                            | –       | –     | –     | –                             | –               | –               | –      |         |
| (0xDE)  | Reserved | –                            | –       | –     | –     | –                             | –               | –               | –      |         |
| (0xDD)  | Reserved | –                            | –       | –     | –     | –                             | –               | –               | –      |         |
| (0xDC)  | Reserved | –                            | –       | –     | –     | –                             | –               | –               | –      |         |
| (0xDB)  | Reserved | –                            | –       | –     | –     | –                             | –               | –               | –      |         |
| (0xDA)  | Reserved | –                            | –       | –     | –     | –                             | –               | –               | –      |         |
| (0xD9)  | Reserved | –                            | –       | –     | –     | –                             | –               | –               | –      |         |
| (0xD8)  | Reserved | –                            | –       | –     | –     | –                             | –               | –               | –      |         |
| (0xD7)  | Reserved | –                            | –       | –     | –     | –                             | –               | –               | –      |         |
| (0xD6)  | Reserved | –                            | –       | –     | –     | –                             | –               | –               | –      |         |
| (0xD5)  | Reserved | –                            | –       | –     | –     | –                             | –               | –               | –      |         |
| (0xD4)  | Reserved | –                            | –       | –     | –     | –                             | –               | –               | –      |         |
| (0xD3)  | Reserved | –                            | –       | –     | –     | –                             | –               | –               | –      |         |
| (0xD2)  | Reserved | –                            | –       | –     | –     | –                             | –               | –               | –      |         |
| (0xD1)  | Reserved | –                            | –       | –     | –     | –                             | –               | –               | –      |         |
| (0xD0)  | Reserved | –                            | –       | –     | –     | –                             | –               | –               | –      |         |
| (0xCF)  | Reserved | –                            | –       | –     | –     | –                             | –               | –               | –      |         |
| (0xCE)  | Reserved | –                            | –       | –     | –     | –                             | –               | –               | –      |         |
| (0xCD)  | Reserved | –                            | –       | –     | –     | –                             | –               | –               | –      |         |
| (0xCC)  | Reserved | –                            | –       | –     | –     | –                             | –               | –               | –      |         |
| (0xCB)  | Reserved | –                            | –       | –     | –     | –                             | –               | –               | –      |         |
| (0xCA)  | Reserved | –                            | –       | –     | –     | –                             | –               | –               | –      |         |
| (0xC9)  | Reserved | –                            | –       | –     | –     | –                             | –               | –               | –      |         |
| (0xC8)  | Reserved | –                            | –       | –     | –     | –                             | –               | –               | –      |         |
| (0xC7)  | Reserved | –                            | –       | –     | –     | –                             | –               | –               | –      |         |
| (0xC6)  | UDR0     | USART I/O Data Register      |         |       |       |                               |                 |                 |        | 200     |
| (0xC5)  | UBRR0H   | –                            | –       | –     | –     | USART Baud Rate Register High |                 |                 |        | 205     |
| (0xC4)  | UBRR0L   | USART Baud Rate Register Low |         |       |       |                               |                 |                 |        | 205     |
| (0xC3)  | UCSR0D   | RXSIE                        | RXS     | SFDE  | –     | –                             | –               | –               | –      | 202     |
| (0xC2)  | UCSR0C   | UMSEL01                      | UMSEL00 | UPM01 | UPM00 | USBS0                         | UCSZ01 / UDORD0 | UCSZ00 / UCPHA0 | UCPOL0 | 202/215 |

| Address | Name     | Bit 7  | Bit 6  | Bit 5  | Bit 4  | Bit 3   | Bit 2   | Bit 1   | Bit 0   | Page |
|---------|----------|--|--------|--------|--------|---------|---------|---------|---------|------|
| (0xC1)  | UCSR0B   | RXCIE0   | TXCIE0 | UDRIE0 | RXEN0  | TXEN0   | UCSZ02  | RXB80   | TXB80   | 201  |
| (0xC0)  | UCSR0A   | RXC0   | TXC0   | UDRE0  | FE0    | DOR0    | UPE0    | U2X0    | MPCM0   | 200  |
| (0xBF)  | Reserved | –  | –      | –      | –      | –       | –       | –       | –       |      |
| (0xBE)  | Reserved | –  | –      | –      | –      | –       | –       | –       | –       |      |
| (0xBD)  | TWAMR    | TWAM6  | TWAM5  | TWAM4  | TWAM3  | TWAM2   | TWAM1   | TWAM0   | –       | 245  |
| (0xBC)  | TWCR     | TWINT  | TWEA   | TWSTA  | TWSTO  | TWWC    | TWEN    | –       | TWIE    | 242  |
| (0xBB)  | TWDR     | 2-wire Serial Interface Data Register                |        |        |        |         |         |         |         | 244  |
| (0xBA)  | TWAR     | TWA6   | TWA5   | TWA4   | TWA3   | TWA2    | TWA1    | TWA0    | TWGCE   | 245  |
| (0xB9)  | TWSR     | TWS7   | TWS6   | TWS5   | TWS4   | TWS3    | –       | TWPS1   | TWPS0   | 244  |
| (0xB8)  | TWBR     | 2-wire Serial Interface Bit Rate Register            |        |        |        |         |         |         |         | 242  |
| (0xB7)  | Reserved | –  | –      | –      | –      | –       | –       | –       | –       |      |
| (0xB6)  | ASSR     | –  | EXCLK  | AS2    | TCN2UB | OCR2AUB | OCR2BUB | TCR2AUB | TCR2BUB | 166  |
| (0xB5)  | Reserved | –  | –      | –      | –      | –       | –       | –       | –       |      |
| (0xB4)  | OCR2B    | Timer/Counter2 Output Compare Register B             |        |        |        |         |         |         |         | 164  |
| (0xB3)  | OCR2A    | Timer/Counter2 Output Compare Register A             |        |        |        |         |         |         |         | 164  |
| (0xB2)  | TCNT2    | Timer/Counter2 (8-bit)                               |        |        |        |         |         |         |         | 164  |
| (0xB1)  | TCCR2B   | FOC2A  | FOC2B  | –      | –      | WGM22   | CS22    | CS21    | CS20    | 163  |
| (0xB0)  | TCCR2A   | COM2A1   | COM2A0 | COM2B1 | COM2B0 | –       | –       | WGM21   | WGM20   | 160  |
| (0xAF)  | Reserved | –  | –      | –      | –      | –       | –       | –       | –       |      |
| (0xAE)  | Reserved | –  | –      | –      | –      | –       | –       | –       | –       |      |
| (0xAD)  | Reserved | –  | –      | –      | –      | –       | –       | –       | –       |      |
| (0xAC)  | Reserved | –  | –      | –      | –      | –       | –       | –       | –       |      |
| (0xAB)  | Reserved | –  | –      | –      | –      | –       | –       | –       | –       |      |
| (0xAA)  | Reserved | –  | –      | –      | –      | –       | –       | –       | –       |      |
| (0xA9)  | Reserved | –  | –      | –      | –      | –       | –       | –       | –       |      |
| (0xA8)  | Reserved | –  | –      | –      | –      | –       | –       | –       | –       |      |
| (0xA7)  | Reserved | –  | –      | –      | –      | –       | –       | –       | –       |      |
| (0xA6)  | Reserved | –  | –      | –      | –      | –       | –       | –       | –       |      |
| (0xA5)  | Reserved | –  | –      | –      | –      | –       | –       | –       | –       |      |
| (0xA4)  | Reserved | –  | –      | –      | –      | –       | –       | –       | –       |      |
| (0xA3)  | Reserved | –  | –      | –      | –      | –       | –       | –       | –       |      |
| (0xA2)  | Reserved | –  | –      | –      | –      | –       | –       | –       | –       |      |
| (0xA1)  | Reserved | –  | –      | –      | –      | –       | –       | –       | –       |      |
| (0xA0)  | Reserved | –  | –      | –      | –      | –       | –       | –       | –       |      |
| (0x9F)  | Reserved | –  | –      | –      | –      | –       | –       | –       | –       |      |
| (0x9E)  | Reserved | –  | –      | –      | –      | –       | –       | –       | –       |      |
| (0x9D)  | Reserved | –  | –      | –      | –      | –       | –       | –       | –       |      |
| (0x9C)  | Reserved | –  | –      | –      | –      | –       | –       | –       | –       |      |
| (0x9B)  | Reserved | –  | –      | –      | –      | –       | –       | –       | –       |      |
| (0x9A)  | Reserved | –  | –      | –      | –      | –       | –       | –       | –       |      |
| (0x99)  | Reserved | –  | –      | –      | –      | –       | –       | –       | –       |      |
| (0x98)  | Reserved | –  | –      | –      | –      | –       | –       | –       | –       |      |
| (0x97)  | Reserved | –  | –      | –      | –      | –       | –       | –       | –       |      |
| (0x96)  | Reserved | –  | –      | –      | –      | –       | –       | –       | –       |      |
| (0x95)  | Reserved | –  | –      | –      | –      | –       | –       | –       | –       |      |
| (0x94)  | Reserved | –  | –      | –      | –      | –       | –       | –       | –       |      |
| (0x93)  | Reserved | –  | –      | –      | –      | –       | –       | –       | –       |      |
| (0x92)  | Reserved | –  | –      | –      | –      | –       | –       | –       | –       |      |
| (0x91)  | Reserved | –  | –      | –      | –      | –       | –       | –       | –       |      |
| (0x90)  | Reserved | –  | –      | –      | –      | –       | –       | –       | –       |      |
| (0x8F)  | Reserved | –  | –      | –      | –      | –       | –       | –       | –       |      |
| (0x8E)  | Reserved | –  | –      | –      | –      | –       | –       | –       | –       |      |
| (0x8D)  | Reserved | –  | –      | –      | –      | –       | –       | –       | –       |      |
| (0x8C)  | Reserved | –  | –      | –      | –      | –       | –       | –       | –       |      |
| (0x8B)  | OCR1BH   | Timer/Counter1 - Output Compare Register B High Byte |        |        |        |         |         |         |         | 141  |
| (0x8A)  | OCR1BL   | Timer/Counter1 - Output Compare Register B Low Byte  |        |        |        |         |         |         |         | 141  |
| (0x89)  | OCR1AH   | Timer/Counter1 - Output Compare Register A High Byte |        |        |        |         |         |         |         | 141  |
| (0x88)  | OCR1AL   | Timer/Counter1 - Output Compare Register A Low Byte  |        |        |        |         |         |         |         | 141  |
| (0x87)  | ICR1H    | Timer/Counter1 - Input Capture Register High Byte    |        |        |        |         |         |         |         | 142  |
| (0x86)  | ICR1L    | Timer/Counter1 - Input Capture Register Low Byte     |        |        |        |         |         |         |         | 142  |
| (0x85)  | TCNT1H   | Timer/Counter1 - Counter Register High Byte          |        |        |        |         |         |         |         | 141  |
| (0x84)  | TCNT1L   | Timer/Counter1 - Counter Register Low Byte           |        |        |        |         |         |         |         | 141  |
| (0x83)  | Reserved | –  | –      | –      | –      | –       | –       | –       | –       |      |
| (0x82)  | TCCR1C   | FOC1A  | FOC1B  | –      | –      | –       | –       | –       | –       | 141  |
| (0x81)  | TCCR1B   | ICNC1  | ICES1  | –      | WGM13  | WGM12   | CS12    | CS11    | CS10    | 140  |
| (0x80)  | TCCR1A   | COM1A1   | COM1A0 | COM1B1 | COM1B0 | –       | –       | WGM11   | WGM10   | 138  |
| (0x7F)  | DIDR1    | –  | –      | –      | –      | –       | –       | AIN1D   | AIN0D   | 249  |
| (0x7E)  | DIDR0    | ADC7D  | ADC6D  | ADC5D  | ADC4D  | ADC3D   | ADC2D   | ADC1D   | ADC0D   | 265  |

| Address     | Name     | Bit 7  | Bit 6                 | Bit 5   | Bit 4                  | Bit 3   | Bit 2               | Bit 1    | Bit 0   | Page     |
|-------------|----------|--|-----------------------|---------|------------------------|---------|---------------------|----------|---------|----------|
| (0x7D)      | Reserved | –  | –                     | –       | –                      | –       | –                   | –        | –       |          |
| (0x7C)      | ADMUX    | REFS1  | REFS0                 | ADLAR   | –                      | MUX3    | MUX2                | MUX1     | MUX0    | 262      |
| (0x7B)      | ADCSRB   | –  | ACME                  | –       | –                      | –       | ADTS2               | ADTS1    | ADTS0   | 265      |
| (0x7A)      | ADCSRA   | ADEN   | ADSC                  | ADATE   | ADIF                   | ADIE    | ADPS2               | ADPS1    | ADPS0   | 263      |
| (0x79)      | ADCH     | ADC Data Register High byte                      |                       |         |                        |         |                     |          |         | 264      |
| (0x78)      | ADCL     | ADC Data Register Low byte                       |                       |         |                        |         |                     |          |         | 264      |
| (0x77)      | Reserved | –  | –                     | –       | –                      | –       | –                   | –        | –       |          |
| (0x76)      | Reserved | –  | –                     | –       | –                      | –       | –                   | –        | –       |          |
| (0x75)      | Reserved | –  | –                     | –       | –                      | –       | –                   | –        | –       |          |
| (0x74)      | Reserved | –  | –                     | –       | –                      | –       | –                   | –        | –       |          |
| (0x73)      | Reserved | –  | –                     | –       | –                      | –       | –                   | –        | –       |          |
| (0x72)      | Reserved | –  | –                     | –       | –                      | –       | –                   | –        | –       |          |
| (0x71)      | Reserved | –  | –                     | –       | –                      | –       | –                   | –        | –       |          |
| (0x70)      | TIMSK2   | –  | –                     | –       | –                      | –       | OCIE2B              | OCIE2A   | TOIE2   | 164      |
| (0x6F)      | TIMSK1   | –  | –                     | ICIE1   | –                      | –       | OCIE1B              | OCIE1A   | TOIE1   | 142      |
| (0x6E)      | TIMSK0   | –  | –                     | –       | –                      | –       | OCIE0B              | OCIE0A   | TOIE0   | 116      |
| (0x6D)      | PCMSK2   | PCINT23  | PCINT22               | PCINT21 | PCINT20                | PCINT19 | PCINT18             | PCINT17  | PCINT16 | 81       |
| (0x6C)      | PCMSK1   | –  | PCINT14               | PCINT13 | PCINT12                | PCINT11 | PCINT10             | PCINT9   | PCINT8  | 81       |
| (0x6B)      | PCMSK0   | PCINT7   | PCINT6                | PCINT5  | PCINT4                 | PCINT3  | PCINT2              | PCINT1   | PCINT0  | 81       |
| (0x6A)      | Reserved | –  | –                     | –       | –                      | –       | –                   | –        | –       |          |
| (0x69)      | EICRA    | –  | –                     | –       | –                      | ISC11   | ISC10               | ISC01    | ISC00   | 78       |
| (0x68)      | PCICR    | –  | –                     | –       | –                      | –       | PCIE2               | PCIE1    | PCIE0   |          |
| (0x67)      | Reserved | –  | –                     | –       | –                      | –       | –                   | –        | –       |          |
| (0x66)      | OSCCAL   | Oscillator Calibration Register                  |                       |         |                        |         |                     |          |         | 45       |
| (0x65)      | Reserved | –  | –                     | –       | –                      | –       | –                   | –        | –       |          |
| (0x64)      | PRR      | PRTW1  | PRTIM2                | PRTIM0  | –                      | PRTIM1  | PRSPI               | PRUSART0 | PRADC   | 49       |
| (0x63)      | Reserved | –  | –                     | –       | –                      | –       | –                   | –        | –       |          |
| (0x62)      | Reserved | –  | –                     | –       | –                      | –       | –                   | –        | –       |          |
| (0x61)      | CLKPR    | CLKPCE   | –                     | –       | –                      | CLKPS3  | CLKPS2              | CLKPS1   | CLKPS0  | 45       |
| (0x60)      | WDTCR    | WDIF   | WDIE                  | WDP3    | WDCE                   | WDE     | WDP2                | WDP1     | WDP0    | 62       |
| 0x3F (0x5F) | SREG     | I  | T                     | H       | S                      | V       | N                   | Z        | C       | 18       |
| 0x3E (0x5E) | SPH      | –  | –                     | –       | –                      | –       | (SP10) <sup>4</sup> | SP9      | SP8     | 21       |
| 0x3D (0x5D) | SPL      | SP7  | SP6                   | SP5     | SP4                    | SP3     | SP2                 | SP1      | SP0     | 21       |
| 0x3C (0x5C) | Reserved | –  | –                     | –       | –                      | –       | –                   | –        | –       |          |
| 0x3B (0x5B) | Reserved | –  | –                     | –       | –                      | –       | –                   | –        | –       |          |
| 0x3A (0x5A) | Reserved | –  | –                     | –       | –                      | –       | –                   | –        | –       |          |
| 0x39 (0x59) | Reserved | –  | –                     | –       | –                      | –       | –                   | –        | –       |          |
| 0x38 (0x58) | Reserved | –  | –                     | –       | –                      | –       | –                   | –        | –       |          |
| 0x37 (0x57) | SPMCSR   | SPMIE  | (RWWWSB) <sup>4</sup> | SIGRD   | (RWWWSRE) <sup>4</sup> | BLBSET  | PGWRT               | PGERS    | SPMEN   | 290      |
| 0x36 (0x56) | Reserved | –  | –                     | –       | –                      | –       | –                   | –        | –       |          |
| 0x35 (0x55) | MCUCR    | –  | BODS                  | BODSE   | PUD                    | –       | –                   | IVSEL    | IVCE    | 53/75/98 |
| 0x34 (0x54) | MCUSR    | –  | –                     | –       | –                      | WDRF    | BORF                | EXTRF    | PORF    | 62       |
| 0x33 (0x53) | SMCR     | –  | –                     | –       | –                      | SM2     | SM1                 | SM0      | SE      | 48       |
| 0x32 (0x52) | Reserved | –  | –                     | –       | –                      | –       | –                   | –        | –       |          |
| 0x31 (0x51) | Reserved | –  | –                     | –       | –                      | –       | –                   | –        | –       |          |
| 0x30 (0x50) | ACSR     | ACD  | ACBG                  | ACO     | ACI                    | ACIE    | ACIC                | ACIS1    | ACIS0   | 247      |
| 0x2F (0x4F) | ACSR0    | –  | –                     | –       | –                      | –       | –                   | –        | ACOE    | 247      |
| 0x2E (0x4E) | SPDR     | SPI Data Register                                |                       |         |                        |         |                     |          |         | 177      |
| 0x2D (0x4D) | SPSR     | SPIF   | WCOL                  | –       | –                      | –       | –                   | –        | SPI2X   | 176      |
| 0x2C (0x4C) | SPCR     | SPIE   | SPE                   | DORD    | MSTR                   | CPOL    | CPHA                | SPR1     | SPR0    | 175      |
| 0x2B (0x4B) | GPOR2    | General Purpose I/O Register 2                   |                       |         |                        |         |                     |          |         | 34       |
| 0x2A (0x4A) | GPOR1    | General Purpose I/O Register 1                   |                       |         |                        |         |                     |          |         | 34       |
| 0x29 (0x49) | Reserved | –  | –                     | –       | –                      | –       | –                   | –        | –       |          |
| 0x28 (0x48) | OCR0B    | Timer/Counter0 Output Compare Register B         |                       |         |                        |         |                     |          |         |          |
| 0x27 (0x47) | OCR0A    | Timer/Counter0 Output Compare Register A         |                       |         |                        |         |                     |          |         |          |
| 0x26 (0x46) | TCNT0    | Timer/Counter0 (8-bit)                           |                       |         |                        |         |                     |          |         |          |
| 0x25 (0x45) | TCCR0B   | FOC0A  | FOC0B                 | –       | –                      | WGM02   | CS02                | CS01     | CS00    |          |
| 0x24 (0x44) | TCCR0A   | COM0A1   | COM0A0                | COM0B1  | COM0B0                 | –       | –                   | WGM01    | WGM00   |          |
| 0x23 (0x43) | GTCCR    | TSM  | –                     | –       | –                      | –       | –                   | PSRASY   | PSRSYNC | 146/167  |
| 0x22 (0x42) | EEARH    | (EEPROM Address Register High Byte) <sup>4</sup> |                       |         |                        |         |                     |          |         | 30       |
| 0x21 (0x41) | EEARL    | EEPROM Address Register Low Byte                 |                       |         |                        |         |                     |          |         | 30       |
| 0x20 (0x40) | EEDR     | EEPROM Data Register                             |                       |         |                        |         |                     |          |         | 30       |
| 0x1F (0x3F) | EEDR     | –  | –                     | EEDR1   | EEDR0                  | EERIE   | EEMPE               | EEPE     | EERE    | 30       |
| 0x1E (0x3E) | GPOR0    | General Purpose I/O Register 0                   |                       |         |                        |         |                     |          |         | 34       |
| 0x1D (0x3D) | EIMSK    | –  | –                     | –       | –                      | –       | –                   | INT1     | INT0    | 79       |
| 0x1C (0x3C) | EIFR     | –  | –                     | –       | –                      | –       | –                   | INTF1    | INTF0   | 79       |
| 0x1B (0x3B) | PCIFR    | –  | –                     | –       | –                      | –       | PCIF2               | PCIF1    | PCIF0   |          |
| 0x1A (0x3A) | Reserved | –  | –                     | –       | –                      | –       | –                   | –        | –       |          |

| Address     | Name     | Bit 7  | Bit 6  | Bit 5  | Bit 4  | Bit 3  | Bit 2  | Bit 1  | Bit 0  | Page |
|-------------|----------|--------|--------|--------|--------|--------|--------|--------|--------|------|
| 0x19 (0x39) | Reserved | –      | –      | –      | –      | –      | –      | –      | –      |      |
| 0x18 (0x38) | Reserved | –      | –      | –      | –      | –      | –      | –      | –      |      |
| 0x17 (0x37) | TIFR2    | –      | –      | –      | –      | –      | OCF2B  | OCF2A  | TOV2   | 165  |
| 0x16 (0x36) | TIFR1    | –      | –      | ICF1   | –      | –      | OCF1B  | OCF1A  | TOV1   | 143  |
| 0x15 (0x35) | TIFR0    | –      | –      | –      | –      | –      | OCF0B  | OCF0A  | TOV0   |      |
| 0x14 (0x34) | Reserved | –      | –      | –      | –      | –      | –      | –      | –      |      |
| 0x13 (0x33) | Reserved | –      | –      | –      | –      | –      | –      | –      | –      |      |
| 0x12 (0x32) | Reserved | –      | –      | –      | –      | –      | –      | –      | –      |      |
| 0x11 (0x31) | Reserved | –      | –      | –      | –      | –      | –      | –      | –      |      |
| 0x10 (0x30) | Reserved | –      | –      | –      | –      | –      | –      | –      | –      |      |
| 0x0F (0x2F) | Reserved | –      | –      | –      | –      | –      | –      | –      | –      |      |
| 0x0E (0x2E) | PORTE    | –      | –      | –      | –      | PORTE3 | PORTE2 | PORTE1 | PORTE0 | 99   |
| 0x0D (0x2D) | DDRE     | –      | –      | –      | –      | DDRE3  | DDRE2  | DDRE1  | DDRE0  | 99   |
| 0x0C (0x2C) | PINE     | –      | –      | –      | –      | PINE3  | PINE2  | PINE1  | PINE0  | 99   |
| 0x0B (0x2B) | PORTD    | PORTD7 | PORTD6 | PORTD5 | PORTD4 | PORTD3 | PORTD2 | PORTD1 | PORTD0 | 99   |
| 0x0A (0x2A) | DDRD     | DDD7   | DDD6   | DDD5   | DDD4   | DDD3   | DDD2   | DDD1   | DDD0   | 99   |
| 0x09 (0x29) | PIND     | PIND7  | PIND6  | PIND5  | PIND4  | PIND3  | PIND2  | PIND1  | PIND0  | 99   |
| 0x08 (0x28) | PORTC    | –      | PORTC6 | PORTC5 | PORTC4 | PORTC3 | PORTC2 | PORTC1 | PORTC0 | 98   |
| 0x07 (0x27) | DDRC     | –      | DDC6   | DDC5   | DDC4   | DDC3   | DDC2   | DDC1   | DDC0   | 98   |
| 0x06 (0x26) | PINC     | –      | PINC6  | PINC5  | PINC4  | PINC3  | PINC2  | PINC1  | PINC0  | 99   |
| 0x05 (0x25) | PORTB    | PORTB7 | PORTB6 | PORTB5 | PORTB4 | PORTB3 | PORTB2 | PORTB1 | PORTB0 | 98   |
| 0x04 (0x24) | DDRB     | DDB7   | DDB6   | DDB5   | DDB4   | DDB3   | DDB2   | DDB1   | DDB0   | 98   |
| 0x03 (0x23) | PINB     | PINB7  | PINB6  | PINB5  | PINB4  | PINB3  | PINB2  | PINB1  | PINB0  | 98   |
| 0x02 (0x22) | Reserved | –      | –      | –      | –      | –      | –      | –      | –      |      |
| 0x01 (0x21) | Reserved | –      | –      | –      | –      | –      | –      | –      | –      |      |
| 0x00 (0x20) | Reserved | –      | –      | –      | –      | –      | –      | –      | –      |      |

- Note:
1. For compatibility with future devices, reserved bits should be written to zero if accessed. Reserved I/O memory addresses should never be written.
  2. I/O Registers within the address range 0x00 - 0x1F are directly bit-accessible using the SBI and CBI instructions. In these registers, the value of single bits can be checked by using the SBIS and SBIC instructions.
  3. Some of the Status Flags are cleared by writing a logical one to them. Note that, unlike most other AVRs, the CBI and SBI instructions will only operate on the specified bit, and can therefore be used on registers containing such Status Flags. The CBI and SBI instructions work with registers 0x00 to 0x1F only.
  4. When using the I/O specific commands IN and OUT, the I/O addresses 0x00 - 0x3F must be used. When addressing I/O Registers as data space using LD and ST instructions, 0x20 must be added to these addresses. The Microchip ATmega48PB/88PB/168PB is a complex microcontroller with more peripheral units than can be supported within the 64 location reserved in Opcode for the IN and OUT instructions. For the Extended I/O space from 0x60 - 0xFF in SRAM, only the ST/STS/STD and LD/LDS/LDD instructions can be used.



## 33. Instruction Set Summary

| Mnemonics                                | Operands | Description                              | Operation   | Flags         | #Clocks |
|--|----------|--|---|---------------|---------|
| <b>ARITHMETIC AND LOGIC INSTRUCTIONS</b> |          |  |   |               |         |
| ADD                                      | Rd, Rr   | Add two Registers                        | $Rd \leftarrow Rd + Rr$                               | Z,C,N,V,H     | 1       |
| ADC                                      | Rd, Rr   | Add with Carry two Registers             | $Rd \leftarrow Rd + Rr + C$                           | Z,C,N,V,H     | 1       |
| ADIW                                     | RdI,K    | Add Immediate to Word                    | $Rdh:Rdl \leftarrow Rdh:Rdl + K$                      | Z,C,N,V,S     | 2       |
| SUB                                      | Rd, Rr   | Subtract two Registers                   | $Rd \leftarrow Rd - Rr$                               | Z,C,N,V,H     | 1       |
| SUBI                                     | Rd, K    | Subtract Constant from Register          | $Rd \leftarrow Rd - K$                                | Z,C,N,V,H     | 1       |
| SBC                                      | Rd, Rr   | Subtract with Carry two Registers        | $Rd \leftarrow Rd - Rr - C$                           | Z,C,N,V,H     | 1       |
| SBCI                                     | Rd, K    | Subtract with Carry Constant from Reg.   | $Rd \leftarrow Rd - K - C$                            | Z,C,N,V,H     | 1       |
| SBIW                                     | RdI,K    | Subtract Immediate from Word             | $Rdh:Rdl \leftarrow Rdh:Rdl - K$                      | Z,C,N,V,S     | 2       |
| AND                                      | Rd, Rr   | Logical AND Registers                    | $Rd \leftarrow Rd \cdot Rr$                           | Z,N,V         | 1       |
| ANDI                                     | Rd, K    | Logical AND Register and Constant        | $Rd \leftarrow Rd \cdot K$                            | Z,N,V         | 1       |
| OR                                       | Rd, Rr   | Logical OR Registers                     | $Rd \leftarrow Rd \vee Rr$                            | Z,N,V         | 1       |
| ORI                                      | Rd, K    | Logical OR Register and Constant         | $Rd \leftarrow Rd \vee K$                             | Z,N,V         | 1       |
| EOR                                      | Rd, Rr   | Exclusive OR Registers                   | $Rd \leftarrow Rd \oplus Rr$                          | Z,N,V         | 1       |
| COM                                      | Rd       | One's Complement                         | $Rd \leftarrow 0xFF - Rd$                             | Z,C,N,V       | 1       |
| NEG                                      | Rd       | Two's Complement                         | $Rd \leftarrow 0x00 - Rd$                             | Z,C,N,V,H     | 1       |
| SBR                                      | Rd,K     | Set Bit(s) in Register                   | $Rd \leftarrow Rd \vee K$                             | Z,N,V         | 1       |
| CBR                                      | Rd,K     | Clear Bit(s) in Register                 | $Rd \leftarrow Rd \cdot (0xFF - K)$                   | Z,N,V         | 1       |
| INC                                      | Rd       | Increment                                | $Rd \leftarrow Rd + 1$                                | Z,N,V         | 1       |
| DEC                                      | Rd       | Decrement                                | $Rd \leftarrow Rd - 1$                                | Z,N,V         | 1       |
| TST                                      | Rd       | Test for Zero or Minus                   | $Rd \leftarrow Rd \cdot Rd$                           | Z,N,V         | 1       |
| CLR                                      | Rd       | Clear Register                           | $Rd \leftarrow Rd \wedge Rd$                          | Z,N,V         | 1       |
| SER                                      | Rd       | Set Register                             | $Rd \leftarrow 0xFF$                                  | None          | 1       |
| MUL                                      | Rd, Rr   | Multiply Unsigned                        | $R1:R0 \leftarrow Rd \times Rr$                       | Z,C           | 2       |
| MULS                                     | Rd, Rr   | Multiply Signed                          | $R1:R0 \leftarrow Rd \times Rr$                       | Z,C           | 2       |
| MULSU                                    | Rd, Rr   | Multiply Signed with Unsigned            | $R1:R0 \leftarrow Rd \times Rr$                       | Z,C           | 2       |
| FMUL                                     | Rd, Rr   | Fractional Multiply Unsigned             | $R1:R0 \leftarrow (Rd \times Rr) \ll 1$               | Z,C           | 2       |
| FMULS                                    | Rd, Rr   | Fractional Multiply Signed               | $R1:R0 \leftarrow (Rd \times Rr) \ll 1$               | Z,C           | 2       |
| FMULSU                                   | Rd, Rr   | Fractional Multiply Signed with Unsigned | $R1:R0 \leftarrow (Rd \times Rr) \ll 1$               | Z,C           | 2       |
| <b>BRANCH INSTRUCTIONS</b>               |          |  |   |               |         |
| RJMP                                     | k        | Relative Jump                            | $PC \leftarrow PC + k + 1$                            | None          | 2       |
| IJMP                                     |          | Indirect Jump to (Z)                     | $PC \leftarrow Z$                                     | None          | 2       |
| JMP <sup>(1)</sup>                       | k        | Direct Jump                              | $PC \leftarrow k$                                     | None          | 3       |
| RCALL                                    | k        | Relative Subroutine Call                 | $PC \leftarrow PC + k + 1$                            | None          | 3       |
| ICALL                                    |          | Indirect Call to (Z)                     | $PC \leftarrow Z$                                     | None          | 3       |
| CALL <sup>(1)</sup>                      | k        | Direct Subroutine Call                   | $PC \leftarrow k$                                     | None          | 4       |
| RET                                      |          | Subroutine Return                        | $PC \leftarrow STACK$                                 | None          | 4       |
| RETI                                     |          | Interrupt Return                         | $PC \leftarrow STACK$                                 | I             | 4       |
| CPSE                                     | Rd,Rr    | Compare, Skip if Equal                   | if (Rd = Rr) $PC \leftarrow PC + 2$ or 3              | None          | 1/2/3   |
| CP                                       | Rd,Rr    | Compare                                  | $Rd - Rr$   | Z, N, V, C, H | 1       |
| CPC                                      | Rd,Rr    | Compare with Carry                       | $Rd - Rr - C$   | Z, N, V, C, H | 1       |
| CPI                                      | Rd,K     | Compare Register with Immediate          | $Rd - K$  | Z, N, V, C, H | 1       |
| SBRC                                     | Rr, b    | Skip if Bit in Register Cleared          | if (Rr(b)=0) $PC \leftarrow PC + 2$ or 3              | None          | 1/2/3   |
| SBRS                                     | Rr, b    | Skip if Bit in Register is Set           | if (Rr(b)=1) $PC \leftarrow PC + 2$ or 3              | None          | 1/2/3   |
| SBIC                                     | P, b     | Skip if Bit in I/O Register Cleared      | if (P(b)=0) $PC \leftarrow PC + 2$ or 3               | None          | 1/2/3   |
| SBIS                                     | P, b     | Skip if Bit in I/O Register is Set       | if (P(b)=1) $PC \leftarrow PC + 2$ or 3               | None          | 1/2/3   |
| BRBS                                     | s, k     | Branch if Status Flag Set                | if (SREG(s) = 1) then $PC \leftarrow PC + k + 1$      | None          | 1/2     |
| BRBC                                     | s, k     | Branch if Status Flag Cleared            | if (SREG(s) = 0) then $PC \leftarrow PC + k + 1$      | None          | 1/2     |
| BREQ                                     | k        | Branch if Equal                          | if (Z = 1) then $PC \leftarrow PC + k + 1$            | None          | 1/2     |
| BRNE                                     | k        | Branch if Not Equal                      | if (Z = 0) then $PC \leftarrow PC + k + 1$            | None          | 1/2     |
| BRCS                                     | k        | Branch if Carry Set                      | if (C = 1) then $PC \leftarrow PC + k + 1$            | None          | 1/2     |
| BRCC                                     | k        | Branch if Carry Cleared                  | if (C = 0) then $PC \leftarrow PC + k + 1$            | None          | 1/2     |
| BRSH                                     | k        | Branch if Same or Higher                 | if (C = 0) then $PC \leftarrow PC + k + 1$            | None          | 1/2     |
| BRLO                                     | k        | Branch if Lower                          | if (C = 1) then $PC \leftarrow PC + k + 1$            | None          | 1/2     |
| BRMI                                     | k        | Branch if Minus                          | if (N = 1) then $PC \leftarrow PC + k + 1$            | None          | 1/2     |
| BRPL                                     | k        | Branch if Plus                           | if (N = 0) then $PC \leftarrow PC + k + 1$            | None          | 1/2     |
| BRGE                                     | k        | Branch if Greater or Equal, Signed       | if (N $\wedge$ V = 0) then $PC \leftarrow PC + k + 1$ | None          | 1/2     |
| BRLT                                     | k        | Branch if Less Than Zero, Signed         | if (N $\wedge$ V = 1) then $PC \leftarrow PC + k + 1$ | None          | 1/2     |
| BRHS                                     | k        | Branch if Half Carry Flag Set            | if (H = 1) then $PC \leftarrow PC + k + 1$            | None          | 1/2     |
| BRHC                                     | k        | Branch if Half Carry Flag Cleared        | if (H = 0) then $PC \leftarrow PC + k + 1$            | None          | 1/2     |
| BRTS                                     | k        | Branch if T Flag Set                     | if (T = 1) then $PC \leftarrow PC + k + 1$            | None          | 1/2     |
| BRTC                                     | k        | Branch if T Flag Cleared                 | if (T = 0) then $PC \leftarrow PC + k + 1$            | None          | 1/2     |
| BRVS                                     | k        | Branch if Overflow Flag is Set           | if (V = 1) then $PC \leftarrow PC + k + 1$            | None          | 1/2     |
| BRVC                                     | k        | Branch if Overflow Flag is Cleared       | if (V = 0) then $PC \leftarrow PC + k + 1$            | None          | 1/2     |
| BRIE                                     | k        | Branch if Interrupt Enabled              | if (I = 1) then $PC \leftarrow PC + k + 1$            | None          | 1/2     |
| BRID                                     | k        | Branch if Interrupt Disabled             | if (I = 0) then $PC \leftarrow PC + k + 1$            | None          | 1/2     |

| Mnemonics                            | Operands | Description                      | Operation  | Flags   | #Clocks |
|--------------------------------------|----------|----------------------------------|--|---------|---------|
| <b>BIT AND BIT-TEST INSTRUCTIONS</b> |          |                                  |  |         |         |
| SBI                                  | P,b      | Set Bit in I/O Register          | $I/O(P,b) \leftarrow 1$  | None    | 2       |
| CBI                                  | P,b      | Clear Bit in I/O Register        | $I/O(P,b) \leftarrow 0$  | None    | 2       |
| LSL                                  | Rd       | Logical Shift Left               | $Rd(n+1) \leftarrow Rd(n), Rd(0) \leftarrow 0$                     | Z,C,N,V | 1       |
| LSR                                  | Rd       | Logical Shift Right              | $Rd(n) \leftarrow Rd(n+1), Rd(7) \leftarrow 0$                     | Z,C,N,V | 1       |
| ROL                                  | Rd       | Rotate Left Through Carry        | $Rd(0) \leftarrow C, Rd(n+1) \leftarrow Rd(n), C \leftarrow Rd(7)$ | Z,C,N,V | 1       |
| ROR                                  | Rd       | Rotate Right Through Carry       | $Rd(7) \leftarrow C, Rd(n) \leftarrow Rd(n+1), C \leftarrow Rd(0)$ | Z,C,N,V | 1       |
| ASR                                  | Rd       | Arithmetic Shift Right           | $Rd(n) \leftarrow Rd(n+1), n=0..6$                                 | Z,C,N,V | 1       |
| SWAP                                 | Rd       | Swap Nibbles                     | $Rd(3..0) \leftarrow Rd(7..4), Rd(7..4) \leftarrow Rd(3..0)$       | None    | 1       |
| BSET                                 | s        | Flag Set                         | $SREG(s) \leftarrow 1$   | SREG(s) | 1       |
| BCLR                                 | s        | Flag Clear                       | $SREG(s) \leftarrow 0$   | SREG(s) | 1       |
| BST                                  | Rr, b    | Bit Store from Register to T     | $T \leftarrow Rr(b)$   | T       | 1       |
| BLD                                  | Rd, b    | Bit load from T to Register      | $Rd(b) \leftarrow T$   | None    | 1       |
| SEC                                  |          | Set Carry                        | $C \leftarrow 1$   | C       | 1       |
| CLC                                  |          | Clear Carry                      | $C \leftarrow 0$   | C       | 1       |
| SEN                                  |          | Set Negative Flag                | $N \leftarrow 1$   | N       | 1       |
| CLN                                  |          | Clear Negative Flag              | $N \leftarrow 0$   | N       | 1       |
| SEZ                                  |          | Set Zero Flag                    | $Z \leftarrow 1$   | Z       | 1       |
| CLZ                                  |          | Clear Zero Flag                  | $Z \leftarrow 0$   | Z       | 1       |
| SEI                                  |          | Global Interrupt Enable          | $I \leftarrow 1$   | I       | 1       |
| CLI                                  |          | Global Interrupt Disable         | $I \leftarrow 0$   | I       | 1       |
| SES                                  |          | Set Signed Test Flag             | $S \leftarrow 1$   | S       | 1       |
| CLS                                  |          | Clear Signed Test Flag           | $S \leftarrow 0$   | S       | 1       |
| SEV                                  |          | Set Twos Complement Overflow.    | $V \leftarrow 1$   | V       | 1       |
| CLV                                  |          | Clear Twos Complement Overflow   | $V \leftarrow 0$   | V       | 1       |
| SET                                  |          | Set T in SREG                    | $T \leftarrow 1$   | T       | 1       |
| CLT                                  |          | Clear T in SREG                  | $T \leftarrow 0$   | T       | 1       |
| SEH                                  |          | Set Half Carry Flag in SREG      | $H \leftarrow 1$   | H       | 1       |
| CLH                                  |          | Clear Half Carry Flag in SREG    | $H \leftarrow 0$   | H       | 1       |
| <b>DATA TRANSFER INSTRUCTIONS</b>    |          |                                  |  |         |         |
| MOV                                  | Rd, Rr   | Move Between Registers           | $Rd \leftarrow Rr$   | None    | 1       |
| MOVW                                 | Rd, Rr   | Copy Register Word               | $Rd+1:Rd \leftarrow Rr+1:Rr$                                       | None    | 1       |
| LDI                                  | Rd, K    | Load Immediate                   | $Rd \leftarrow K$  | None    | 1       |
| LD                                   | Rd, X    | Load Indirect                    | $Rd \leftarrow (X)$  | None    | 2       |
| LD                                   | Rd, X+   | Load Indirect and Post-Inc.      | $Rd \leftarrow (X), X \leftarrow X+1$                              | None    | 2       |
| LD                                   | Rd, -X   | Load Indirect and Pre-Dec.       | $X \leftarrow X-1, Rd \leftarrow (X)$                              | None    | 2       |
| LD                                   | Rd, Y    | Load Indirect                    | $Rd \leftarrow (Y)$  | None    | 2       |
| LD                                   | Rd, Y+   | Load Indirect and Post-Inc.      | $Rd \leftarrow (Y), Y \leftarrow Y+1$                              | None    | 2       |
| LD                                   | Rd, -Y   | Load Indirect and Pre-Dec.       | $Y \leftarrow Y-1, Rd \leftarrow (Y)$                              | None    | 2       |
| LDD                                  | Rd, Y+q  | Load Indirect with Displacement  | $Rd \leftarrow (Y+q)$  | None    | 2       |
| LD                                   | Rd, Z    | Load Indirect                    | $Rd \leftarrow (Z)$  | None    | 2       |
| LD                                   | Rd, Z+   | Load Indirect and Post-Inc.      | $Rd \leftarrow (Z), Z \leftarrow Z+1$                              | None    | 2       |
| LD                                   | Rd, -Z   | Load Indirect and Pre-Dec.       | $Z \leftarrow Z-1, Rd \leftarrow (Z)$                              | None    | 2       |
| LDD                                  | Rd, Z+q  | Load Indirect with Displacement  | $Rd \leftarrow (Z+q)$  | None    | 2       |
| LDS                                  | Rd, k    | Load Direct from SRAM            | $Rd \leftarrow (k)$  | None    | 2       |
| ST                                   | X, Rr    | Store Indirect                   | $(X) \leftarrow Rr$  | None    | 2       |
| ST                                   | X+, Rr   | Store Indirect and Post-Inc.     | $(X) \leftarrow Rr, X \leftarrow X+1$                              | None    | 2       |
| ST                                   | -X, Rr   | Store Indirect and Pre-Dec.      | $X \leftarrow X-1, (X) \leftarrow Rr$                              | None    | 2       |
| ST                                   | Y, Rr    | Store Indirect                   | $(Y) \leftarrow Rr$  | None    | 2       |
| ST                                   | Y+, Rr   | Store Indirect and Post-Inc.     | $(Y) \leftarrow Rr, Y \leftarrow Y+1$                              | None    | 2       |
| ST                                   | -Y, Rr   | Store Indirect and Pre-Dec.      | $Y \leftarrow Y-1, (Y) \leftarrow Rr$                              | None    | 2       |
| STD                                  | Y+q, Rr  | Store Indirect with Displacement | $(Y+q) \leftarrow Rr$  | None    | 2       |
| ST                                   | Z, Rr    | Store Indirect                   | $(Z) \leftarrow Rr$  | None    | 2       |
| ST                                   | Z+, Rr   | Store Indirect and Post-Inc.     | $(Z) \leftarrow Rr, Z \leftarrow Z+1$                              | None    | 2       |
| ST                                   | -Z, Rr   | Store Indirect and Pre-Dec.      | $Z \leftarrow Z-1, (Z) \leftarrow Rr$                              | None    | 2       |
| STD                                  | Z+q, Rr  | Store Indirect with Displacement | $(Z+q) \leftarrow Rr$  | None    | 2       |
| STS                                  | k, Rr    | Store Direct to SRAM             | $(k) \leftarrow Rr$  | None    | 2       |
| LPM                                  |          | Load Program Memory              | $R0 \leftarrow (Z)$  | None    | 3       |
| LPM                                  | Rd, Z    | Load Program Memory              | $Rd \leftarrow (Z)$  | None    | 3       |
| LPM                                  | Rd, Z+   | Load Program Memory and Post-Inc | $Rd \leftarrow (Z), Z \leftarrow Z+1$                              | None    | 3       |
| SPM                                  |          | Store Program Memory             | $(Z) \leftarrow R1:R0$   | None    | -       |
| IN                                   | Rd, P    | In Port                          | $Rd \leftarrow P$  | None    | 1       |
| OUT                                  | P, Rr    | Out Port                         | $P \leftarrow Rr$  | None    | 1       |
| PUSH                                 | Rr       | Push Register on Stack           | $STACK \leftarrow Rr$  | None    | 2       |
| POP                                  | Rd       | Pop Register from Stack          | $Rd \leftarrow STACK$  | None    | 2       |
| <b>MCU CONTROL INSTRUCTIONS</b>      |          |                                  |  |         |         |
| NOP                                  |          | No Operation                     |  | None    | 1       |
| SLEEP                                |          | Sleep                            | (see specific descr. for Sleep function)                           | None    | 1       |

| Mnemonics | Operands | Description    | Operation                           | Flags | #Clocks |
|-----------|----------|----------------|-------------------------------------|-------|---------|
| WDR       |          | Watchdog Reset | (see specific descr. for WDR/timer) | None  | 1       |
| BREAK     |          | Break          | For On-chip Debug Only              | None  | N/A     |

Note: 1. These instructions are only available in ATmega168PB

## 34. Ordering Information

### 34.1 ATmega48PB

| Speed [MHz] <sup>(3)</sup> | Power Supply [V] | Ordering Code <sup>(2)</sup>   | Package <sup>(1)</sup>       | Operational Range              |
|----------------------------|------------------|--|------------------------------|--------------------------------|
| 20                         | 1.8 - 5.5        | ATmega48PB-AU<br>ATmega48PB-AUR <sup>(4)</sup><br>ATmega48PB-MU<br>ATmega48PB-MUR <sup>(4)</sup> | 32A<br>32A<br>32MS1<br>32MS1 | Industrial<br>(-40°C to 85°C)  |
|                            |                  | ATmega48PB-AN<br>ATmega48PB-ANR <sup>(4)</sup><br>ATmega48PB-MN<br>ATmega48PB-MNR <sup>(4)</sup> | 32A<br>32A<br>32MS1<br>32MS1 | Industrial<br>(-40°C to 105°C) |

- Note:
1. This device can also be supplied in wafer form. Contact your local Microchip sales office for detailed ordering information and minimum quantities.
  2. Pb-free packaging complies to the European Directive for Restriction of Hazardous Substances (RoHS directive). Also Halide free and fully Green.
  3. See "[Speed Grades](#)" on page 313.
  4. Tape & Reel.

| Package Type |   |
|--------------|---|
| <b>32A</b>   | 32-lead, Thin (1.0mm) Plastic Quad Flat Package (TQFP)  |
| <b>32MS1</b> | 32-pad, 5.0x5.0x0.9mm body, Lead Pitch 0.50mm, Very-thin Fine pitch, Quad Flat No Lead Package (VQFN) |

## 34.2 ATmega88PB

| Speed [MHz] <sup>(3)</sup> | Power Supply [V] | Ordering Code <sup>(2)</sup>   | Package <sup>(1)</sup>       | Operational Range              |
|----------------------------|------------------|--|------------------------------|--------------------------------|
| 20                         | 1.8 - 5.5        | ATmega88PB-AU<br>ATmega88PB-AUR <sup>(4)</sup><br>ATmega88PB-MU<br>ATmega88PB-MUR <sup>(4)</sup> | 32A<br>32A<br>32MS1<br>32MS  | Industrial<br>(-40°C to 85°C)  |
|                            |                  | ATmega88PB-AN<br>ATmega88PB-ANR <sup>(4)</sup><br>ATmega88PB-MN<br>ATmega88PB-MNR <sup>(4)</sup> | 32A<br>32A<br>32MS1<br>32MS1 | Industrial<br>(-40°C to 105°C) |

- Note:
1. This device can also be supplied in wafer form. Contact your local Microchip sales office for detailed ordering information and minimum quantities.
  2. Pb-free packaging complies to the European Directive for Restriction of Hazardous Substances (RoHS directive). Also Halide free and fully Green.
  3. See "[Speed Grades](#)" on page 313.
  4. Tape & Reel.

| Package Type |   |
|--------------|---|
| <b>32A</b>   | 32-lead, Thin (1.0mm) Plastic Quad Flat Package (TQFP)  |
| <b>32MS1</b> | 32-pad, 5.0x5.0x0.9mm body, Lead Pitch 0.50mm, Very-thin Fine pitch, Quad Flat No Lead Package (VQFN) |

## 34.3 ATmega168PB

| Speed [MHz] | Power Supply [V] | Ordering Code <sup>(2)</sup>   | Package <sup>(1)</sup>       | Operational Range              |
|-------------|------------------|--|------------------------------|--------------------------------|
| 20          | 1.8 - 5.5        | ATmega168PB-AU<br>ATmega168PB-AUR <sup>(3)</sup><br>ATmega168PB-MU<br>ATmega168PB-MUR <sup>(3)</sup> | 32A<br>32A<br>32MS1<br>32MS1 | Industrial<br>(-40°C to 85°C)  |
|             |                  | ATmega168PB-AN<br>ATmega168PB-ANR <sup>(3)</sup><br>ATmega168PB-MN<br>ATmega168PB-MNR <sup>(3)</sup> | 32A<br>32A<br>32MS1<br>32MS1 | Industrial<br>(-40°C to 105°C) |

- Note:
1. This device can also be supplied in wafer form. Contact your local Microchip sales office for detailed ordering information and minimum quantities.
  2. Pb-free packaging complies to the European Directive for Restriction of Hazardous Substances (RoHS directive). Also Halide free and fully Green.
  3. Tape & Reel.

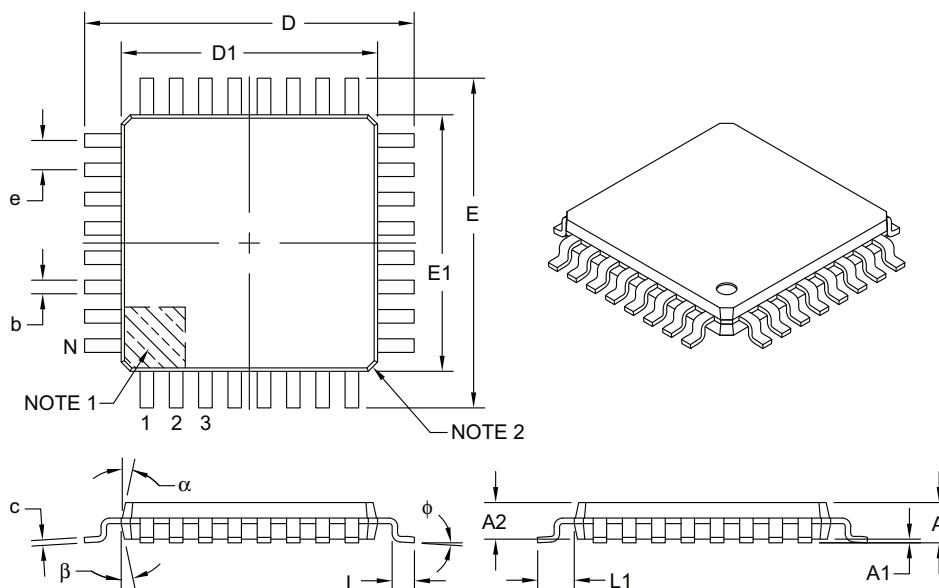
| Package Type |   |
|--------------|---|
| <b>32A</b>   | 32-lead, Thin (1.0mm) Plastic Quad Flat Package (TQFP)  |
| <b>32MS1</b> | 32-pad, 5.0x5.0x0.9mm body, Lead Pitch 0.50mm, Very-thin Fine pitch, Quad Flat No Lead Package (VQFN) |

## 35. Packaging Information

### 35.1 32A

#### 32-Lead Plastic Thin Quad Flatpack (PT) – 7x7x1.0 mm Body, 2.00 mm [TQFP]

**Note:** For the most current package drawings, please see the Microchip Packaging Specification located at <http://www.microchip.com/packaging>



| Dimension Limits         | Units | MILLIMETERS |      |      |
|--------------------------|-------|-------------|------|------|
|                          |       | MIN         | NOM  | MAX  |
| Number of Leads          | N     | 32          |      |      |
| Lead Pitch               | e     | 0.80 BSC    |      |      |
| Overall Height           | A     | –           | –    | 1.20 |
| Standoff                 | A1    | 0.05        | –    | 0.15 |
| Molded Package Thickness | A2    | 0.95        | 1.00 | 1.05 |
| Foot Length              | L     | 0.45        | 0.60 | 0.75 |
| Footprint                | L1    | 1.00 REF    |      |      |
| Foot Angle               | φ     | 0°          | 3.5° | 7°   |
| Overall Width            | E     | 9.00 BSC    |      |      |
| Overall Length           | D     | 9.00 BSC    |      |      |
| Molded Package Width     | E1    | 7.00 BSC    |      |      |
| Molded Package Length    | D1    | 7.00 BSC    |      |      |
| Lead Thickness           | c     | 0.09        | –    | 0.20 |
| Lead Width               | b     | 0.30        | 0.37 | 0.45 |
| Mold Draft Angle Top     | α     | 11°         | 12°  | 13°  |
| Mold Draft Angle Bottom  | β     | 11°         | 12°  | 13°  |

**Notes:**

1. Pin 1 visual index feature may vary, but must be located within the hatched area.
2. Chamfers at corners are optional; size may vary.
3. Dimensions D1 and E1 do not include mold flash or protrusions. Mold flash or protrusions shall not exceed 0.25 mm per side.
4. Dimensioning and tolerancing per ASME Y14.5M.

BSC: Basic Dimension. Theoretically exact value shown without tolerances.

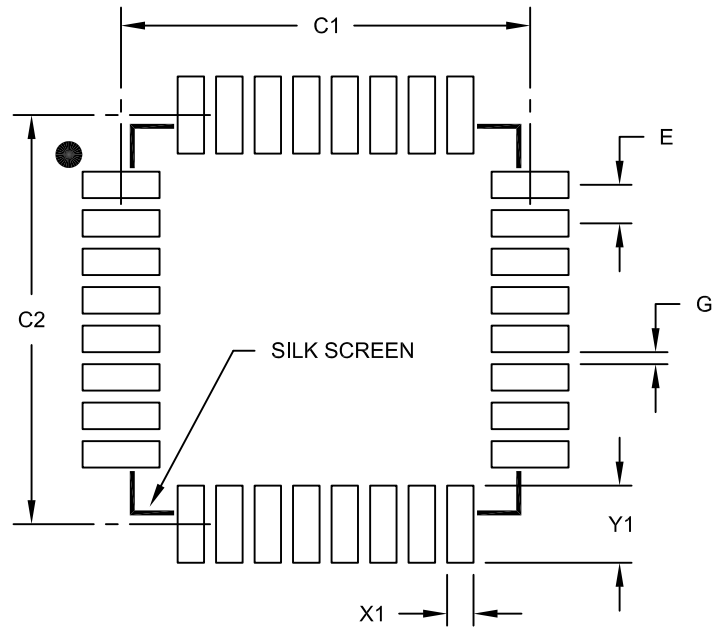
REF: Reference Dimension, usually without tolerance, for information purposes only.

Microchip Technology Drawing C04-074B

## 32A

32-Lead Plastic Thin Quad Flatpack (PT) - 7x7x1.0 mm Body, 2.00 mm Footprint [TQFP]

**Note:** For the most current package drawings, please see the Microchip Packaging Specification located at <http://www.microchip.com/packaging>



RECOMMENDED LAND PATTERN

| Dimension Limits         | Units | MILLIMETERS |      |      |
|--------------------------|-------|-------------|------|------|
|                          |       | MIN         | NOM  | MAX  |
| Contact Pitch            | E     | 0.80 BSC    |      |      |
| Contact Pad Spacing      | C1    |             | 8.50 |      |
| Contact Pad Spacing      | C2    |             | 8.50 |      |
| Contact Pad Width (X28)  | X1    |             |      | 0.55 |
| Contact Pad Length (X28) | Y1    |             |      | 1.60 |
| Distance Between Pads    | G     | 0.25        |      |      |

**Notes:**

1. Dimensioning and tolerancing per ASME Y14.5M

BSC: Basic Dimension. Theoretically exact value shown without tolerances.

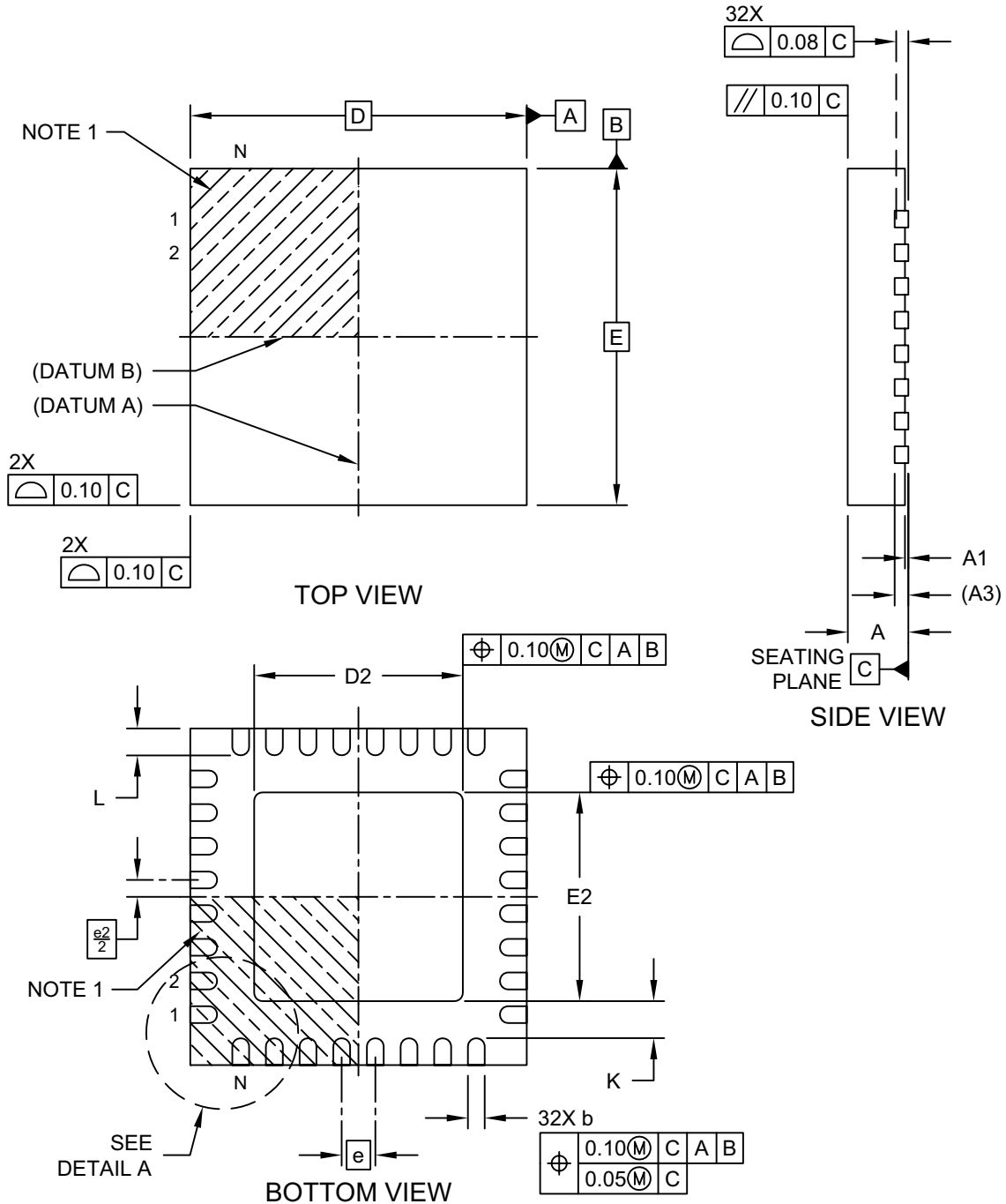
Microchip Technology Drawing No. C04-2074B



## 35.2 32MS1

### 32-Lead Very Thin Plastic Quad Flat, No Lead Package (RXB) - 5x5x0.9 mm Body [VQFN] With 3.1x3.1 mm Exposed Pad; Atmel Legacy Global Package Code ZMF

**Note:** For the most current package drawings, please see the Microchip Packaging Specification located at <http://www.microchip.com/packaging>

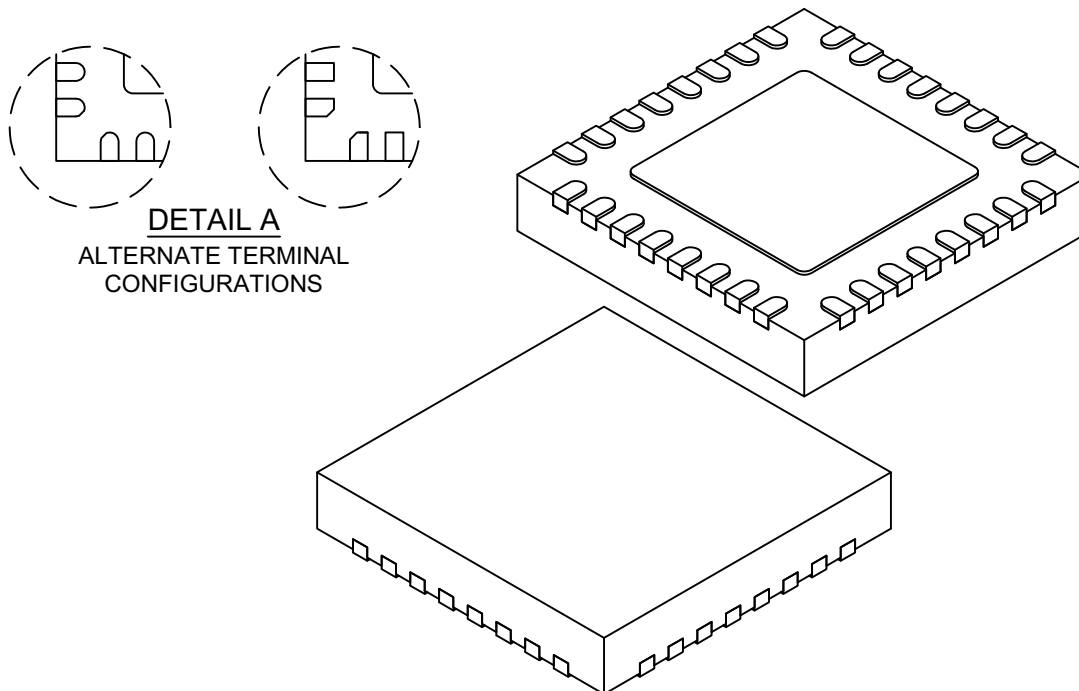


Microchip Technology Drawing C04-21395-RXB Rev B Sheet 1 of 2

## 32MS1

### 32-Lead Very Thin Plastic Quad Flat, No Lead Package (RXB) - 5x5x0.9 mm Body [VQFN] With 3.1x3.1 mm Exposed Pad; Atmel Legacy Global Package Code ZMF

**Note:** For the most current package drawings, please see the Microchip Packaging Specification located at <http://www.microchip.com/packaging>



| Dimension Limits        | Units | MILLIMETERS |      |      |
|-------------------------|-------|-------------|------|------|
|                         |       | MIN         | NOM  | MAX  |
| Number of Terminals     | N     | 32          |      |      |
| Pitch                   | e     | 0.50 BSC    |      |      |
| Overall Height          | A     | 0.80        | 0.85 | 0.90 |
| Standoff                | A1    | 0.00        | 0.02 | 0.05 |
| Terminal Thickness      | A3    | 0.203 REF   |      |      |
| Overall Length          | D     | 5.00 BSC    |      |      |
| Exposed Pad Length      | D2    | 3.00        | 3.10 | 3.20 |
| Overall Width           | E     | 5.00 BSC    |      |      |
| Exposed Pad Width       | E2    | 3.00        | 3.10 | 3.20 |
| Terminal Width          | b     | 0.18        | 0.25 | 0.30 |
| Terminal Length         | L     | 0.30        | 0.40 | 0.50 |
| Terminal-to-Exposed-Pad | K     | 0.20        | -    | -    |

**Notes:**

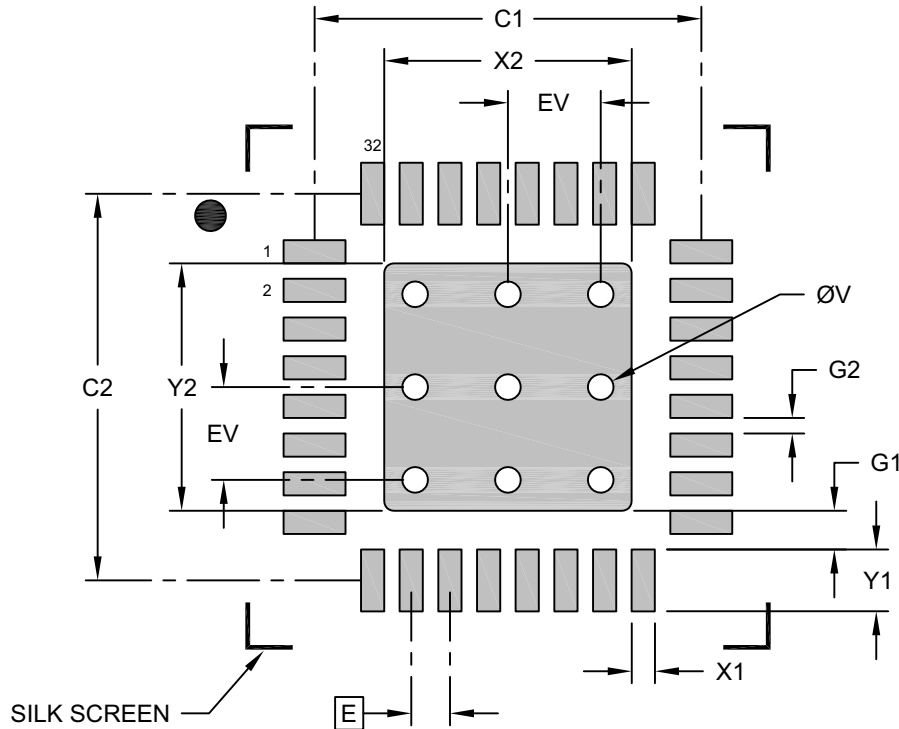
- Pin 1 visual index feature may vary, but must be located within the hatched area.
- Package is saw singulated
- Dimensioning and tolerancing per ASME Y14.5M  
BSC: Basic Dimension. Theoretically exact value shown without tolerances.  
REF: Reference Dimension, usually without tolerance, for information purposes only.

Microchip Technology Drawing C04-21395-RXB Rev B Sheet 2 of 2

## 32MS1

### 32-Lead Very Thin Plastic Quad Flat, No Lead Package (RXB) - 5x5x0.9 mm Body [VQFN] With 3.1x3.1 mm Exposed Pad; Atmel Legacy Global Package Code ZMF

**Note:** For the most current package drawings, please see the Microchip Packaging Specification located at <http://www.microchip.com/packaging>



### RECOMMENDED LAND PATTERN

| Dimension Limits                 | Units | MILLIMETERS |      |      |
|----------------------------------|-------|-------------|------|------|
|                                  |       | MIN         | NOM  | MAX  |
| Contact Pitch                    | E     | 0.50 BSC    |      |      |
| Center Pad Width                 | X2    |             |      | 3.20 |
| Center Pad Length                | Y2    |             |      | 3.20 |
| Contact Pad Spacing              | C1    |             | 5.00 |      |
| Contact Pad Spacing              | C2    |             | 5.00 |      |
| Contact Pad Width (X32)          | X1    |             |      | 0.30 |
| Contact Pad Length (X32)         | Y1    |             |      | 0.80 |
| Contact Pad to Center Pad (X32)  | G1    | 0.20        |      |      |
| Contact Pad to Contact Pad (X28) | G2    | 0.20        |      |      |
| Thermal Via Diameter             | V     |             | 0.33 |      |
| Thermal Via Pitch                | EV    |             | 1.20 |      |

**Notes:**

- Dimensioning and tolerancing per ASME Y14.5M  
BSC: Basic Dimension. Theoretically exact value shown without tolerances.
- For best soldering results, thermal vias, if used, should be filled or tented to avoid solder loss during reflow process

Microchip Technology Drawing C04-23395-RXB Rev B

## 36. Errata

The errata content has been moved to a separate document, refer to *ATmega48PB/88PB/168PB Silicon Errata and Data Sheet Clarification*, located at [www.microchip.com/DS80000860](http://www.microchip.com/DS80000860).

## 37. Datasheet Revision History

Note that the referring page numbers in this section are referred to this document. The referring revision in this section are referring to the document revision.

### 37.1 Rev. DS40001909B – 10/2021

The content is based on document 42176E. The following items list the changes from 42176E to DS40001909B:

1. Updated the document to Microchip style.
2. Updated Package Information to Microchip style.
3. Errata has been moved to a separate document.
4. Removed footnote regarding interrupt modes INT0 and INT1 and clarified External Interrupts section.
5. Updated 8-bit Timer/Counter Block Diagram figure.
6. Updated Analog to Digital Converter Block Schematic Operation block diagram.
7. Updated Reset and Interrupt Vectors in ATmega48PB, Reset and Interrupt Vectors in ATmega88PB and Reset and Interrupt Vectors in ATmega168PB tables.
8. Updated Electrical characteristics.
  1. Common DC characteristics table
  2. ATmega48PB/88PB DC characteristics table
  3. Calibration Accuracy of Internal RC Oscillator table
  4. Reset, Brown-out and Internal Voltage Characteristics table
  5. ADC Characteristics table

### 37.2 Rev. DS40001909A – 05/2017

1. Change of document style.
2. New Microchip document number. Previous version was Atmel document 42176 rev. G.
3. [Absolute Maximum Ratings\\*](#): add note for reset pad voltage.
4. Update [I/O Multiplexing](#)
5. [ASSR](#): Change Bit 3 name to OCR2AUB: Output Compare Register2 Update Busy.
6. Update [Alternate Functions of Port B](#), [Alternate Functions of Port C](#), [Alternate Functions of Port D](#), [Alternate Functions of Port E](#)
7. [ADC - Analog-to-Digital Converter](#)
  - Update bits in [ADCSR](#)
8. Add [Errata Rev. O](#) for ATmega168PB.
9. Electrical Characteristics - [DC Characteristics](#): AC Input Offset Voltage improvement.

### 37.3 Rev. 42176G – 03/2016

|    |   |
|----|---|
| 1. | <a href="#">Errata</a> : Added Errata for ATmega48PB, ATmega88PB and ATmega168PB. |
|----|---|

## 37.4 Rev. 42176F – 02/2016

|    |  |
|----|--|
| 1. | New workflow used for the publication.   |
| 2. | Updated the <a href="#">Features</a> .   |
| 3. | Updated <a href="#">Chip Erase</a> . The Chip Erase command will erase the Flash, the SRAM and the EEPROM... |
| 4. | Updated the Extended Fuse Byte in <a href="#">Reading the Fuse and Lock Bits from Software</a> .             |
| 5. | Updated numbers in <a href="#">Electrical Characteristics</a> .  |
| 6. | Added plots in <a href="#">ATmega168PB Typical Characteristics</a> .   |

## 37.5 Rev. 42176E – 10/2015

|     |  |
|-----|--|
| 1.  | Removed Preliminary  |
| 2.  | General editing update   |
| 3.  | Replaced the pinout drawings <a href="#">Figure 2-1 on page 10</a> and <a href="#">Figure 2-2 on page 11</a>   |
| 4.  | Replaced the block diagram <a href="#">Figure 3-1 on page 14</a> .   |
| 5.  | Replaced the "Block Diagram of the AVR® Architecture" on page 17, <a href="#">Figure 8-1</a> .   |
| 6.  | Removed "Full Swing Crystal Oscillator" from the <a href="#">Table 10-1 on page 37</a> .   |
| 7.  | Removed the section "Full Swing Crystal Oscillator"  |
| 8.  | Added " <a href="#">Unique Device ID</a> " on page 35  |
| 9.  | Update to correct addresses: <ul style="list-style-type: none"> <li>• "<a href="#">PORTE – The Port E Data Register</a>" ,</li> <li>• "<a href="#">DDRE – The Port E Data Direction Register</a>" ,</li> <li>• "<a href="#">PINE – The Port E Input Pins Address<sup>(1)</sup></a>"</li> </ul> |
| 10. | " <a href="#">Temperature Measurement</a> " on page 260: <ul style="list-style-type: none"> <li>• Updated the values in <a href="#">Table 25-2 on page 260</a>.</li> </ul>   |
| 11. | Added " <a href="#">Reading the Signature Row from Software</a> " on page 284.   |
| 12. | Updated typical values in " <a href="#">ATmega48PB/88PB DC Characteristics</a> " on page 311.  |
| 13. | Updated " <a href="#">ATmega48PB/88PB Typical Characteristics</a> " on page 323. <ul style="list-style-type: none"> <li>• Added "<a href="#">Power-save Supply Current</a>" on page 323.</li> <li>• Added "<a href="#">Power-standby Supply Current</a>" on page 323.</li> </ul>               |
| 14. | Updated the typical values in " <a href="#">ATmega168PB DC Characteristics</a> " on page 305.  |
| 15. | Updated " <a href="#">ATmega168PB Typical Characteristics</a> " on page 348. <ul style="list-style-type: none"> <li>• Added "<a href="#">Power-save Supply Current</a>" on page 355.</li> <li>• Added "<a href="#">Power-standby Supply Current</a>" on page 348.</li> </ul>                   |

## 37.6 Rev. 42176D – 04/2015

|    |  |
|----|--|
| 1. | Added " <a href="#">ATmega48PB/88PB DC Characteristics</a> " on page 311.                    |
| 2. | Added " <a href="#">ATmega48PB/88PB Typical Characteristics</a> " on page 323.               |
| 3. | Updated the typical values in " <a href="#">ATmega168PB DC Characteristics</a> " on page 305 |
| 4. | Updated numbers in " <a href="#">ATmega168PB Supply Current of IO Modules</a> " on page 353. |

## 37.7 Rev. 42176C – 03/2015

|    |  |
|----|--|
| 1. | "Clock Characteristics" on page 307:<br>Updated factory calibration accuracy from $\pm 10\%$ to $\pm 3\%$ in "Calibrated Internal RC Oscillator Accuracy" on page 307. |
| 2. | "Errata" :<br>Updated "Errata ATmega48PB" on page 385, "Errata ATmega88PB" on page 386 and "Errata ATmega168PB" on page 387.   |

## 37.8 Rev. 42176B – 11/2014

|    |   |
|----|---|
| 1. | Additional Delay from Reset ( $V_{CC}=5V$ ) updated from 14CK to 19CK in the following sections / tables: <ul style="list-style-type: none"><li>• "Low Power Crystal Oscillator" / Table 10-4 on page 39.</li><li>• "Low Frequency Crystal Oscillator" / Table 10-6 on page 32.</li><li>• "Low Frequency Crystal Oscillator" / Table 10-7 on page 40.</li><li>• "Calibrated Internal RC Oscillator" / Table 10-10 on page 41.</li><li>• "128kHz Internal Oscillator" / Table 10-12 on page 42.</li><li>• "External Clock" / Table 10-14 on page 43.</li></ul> |
|----|---|

## 37.9 Rev. 42176A – 11/2014

|    |                  |
|----|------------------|
| 1. | Initial release. |
|----|------------------|

## DEVELOPMENT SUPPORT

Move a design from concept to production in record time with Microchip's award-winning development tools. Microchip tools work together to provide state of the art debugging for any project with easy-to-use Graphical User Interfaces (GUIs) in our free MPLAB<sup>®</sup> X and Atmel Studio Integrated Development Environments (IDEs), and our code generation tools. Providing the ultimate ease-of-use experience, Microchip's line of programmers, debuggers and emulators work seamlessly with our software tools. Microchip development boards help evaluate the best silicon device for an application, while our line of third party tools round out our comprehensive development tool solutions.

Microchip's MPLAB X and Atmel Studio ecosystems provide a variety of embedded design tools to consider, which support multiple devices, such as PIC<sup>®</sup> MCUs, AVR<sup>®</sup> MCUs, SAM MCUs and dsPIC<sup>®</sup> DSCs. MPLAB X tools are compatible with Windows<sup>®</sup>, Linux<sup>®</sup> and Mac<sup>®</sup> operating systems while Atmel Studio tools are compatible with Windows.

Go to the following website for more information and details:

<https://www.microchip.com/development-tools/>



## THE MICROCHIP WEBSITE

Microchip provides online support via our WWW site at [www.microchip.com](http://www.microchip.com). This website is used as a means to make files and information easily available to customers. Accessible by using your favorite Internet browser, the website contains the following information:

- **Product Support** – Data sheets and errata, application notes and sample programs, design resources, user's guides and hardware support documents, latest software releases and archived software
- **General Technical Support** – Frequently Asked Questions (FAQ), technical support requests, online discussion groups, Microchip consultant program member listing
- **Business of Microchip** – Product selector and ordering guides, latest Microchip press releases, listing of seminars and events, listings of Microchip sales offices, distributors and factory representatives

## CUSTOMER CHANGE NOTIFICATION SERVICE

Microchip's customer notification service helps keep customers current on Microchip products. Subscribers will receive e-mail notification whenever there are changes, updates, revisions or errata related to a specified product family or development tool of interest.

To register, access the Microchip website at [www.microchip.com](http://www.microchip.com). Under "Support", click on "Customer Change Notification" and follow the registration instructions.

## CUSTOMER SUPPORT

Users of Microchip products can receive assistance through several channels:

- Distributor or Representative
- Local Sales Office
- Field Application Engineer (FAE)
- Technical Support

Customers should contact their distributor, representative or Field Application Engineer (FAE) for support. Local sales offices are also available to help customers. A listing of sales offices and locations is included in the back of this document.

**Technical support is available through the website at: <http://microchip.com/support>**

---

---

**Note the following details of the code protection feature on Microchip products:**

- Microchip products meet the specifications contained in their particular Microchip Data Sheet.
- Microchip believes that its family of products is secure when used in the intended manner, within operating specifications, and under normal conditions.
- Microchip values and aggressively protects its intellectual property rights. Attempts to breach the code protection features of Microchip product is strictly prohibited and may violate the Digital Millennium Copyright Act.
- Neither Microchip nor any other semiconductor manufacturer can guarantee the security of its code. Code protection does not mean that we are guaranteeing the product is “unbreakable”. Code protection is constantly evolving. Microchip is committed to continuously improving the code protection features of our products.

---

This publication and the information herein may be used only with Microchip products, including to design, test, and integrate Microchip products with your application. Use of this information in any other manner violates these terms. Information regarding device applications is provided only for your convenience and may be superseded by updates. It is your responsibility to ensure that your application meets with your specifications. Contact your local Microchip sales office for additional support or, obtain additional support at <https://www.microchip.com/en-us/support/design-help/client-support-services>.

THIS INFORMATION IS PROVIDED BY MICROCHIP "AS IS". MICROCHIP MAKES NO REPRESENTATIONS OR WARRANTIES OF ANY KIND WHETHER EXPRESS OR IMPLIED, WRITTEN OR ORAL, STATUTORY OR OTHERWISE, RELATED TO THE INFORMATION INCLUDING BUT NOT LIMITED TO ANY IMPLIED WARRANTIES OF NON-INFRINGEMENT, MERCHANTABILITY, AND FITNESS FOR A PARTICULAR PURPOSE, OR WARRANTIES RELATED TO ITS CONDITION, QUALITY, OR PERFORMANCE.

IN NO EVENT WILL MICROCHIP BE LIABLE FOR ANY INDIRECT, SPECIAL, PUNITIVE, INCIDENTAL, OR CONSEQUENTIAL LOSS, DAMAGE, COST, OR EXPENSE OF ANY KIND WHATSOEVER RELATED TO THE INFORMATION OR ITS USE, HOWEVER CAUSED, EVEN IF MICROCHIP HAS BEEN ADVISED OF THE POSSIBILITY OR THE DAMAGES ARE FORESEEABLE. TO THE FULLEST EXTENT ALLOWED BY LAW, MICROCHIP'S TOTAL LIABILITY ON ALL CLAIMS IN ANY WAY RELATED TO THE INFORMATION OR ITS USE WILL NOT EXCEED THE AMOUNT OF FEES, IF ANY, THAT YOU HAVE PAID DIRECTLY TO MICROCHIP FOR THE INFORMATION.

Use of Microchip devices in life support and/or safety applications is entirely at the buyer's risk, and the buyer agrees to defend, indemnify and hold harmless Microchip from any and all damages, claims, suits, or expenses resulting from such use. No licenses are conveyed, implicitly or otherwise, under any Microchip intellectual property rights unless otherwise stated.

For information regarding Microchip's Quality Management Systems, please visit [www.microchip.com/quality](http://www.microchip.com/quality).

**Trademarks**

The Microchip name and logo, the Microchip logo, Adaptec, AnyRate, AVR, AVR logo, AVR Freaks, BesTime, BitCloud, CryptoMemory, CryptoRF, dsPIC, flexPWR, HELDO, IGLOO, JukeBlox, KeeLoq, Kleer, LANCheck, LinkMD, maXStylus, maXTouch, MediaLB, megaAVR, Microsemi, Microsemi logo, MOST, MOST logo, MPLAB, OptoLyzr, PIC, picoPower, PICSTART, PIC32 logo, PolarFire, Prochip Designer, QTouch, SAM-BA, SenGenuity, SpyNIC, SST, SST Logo, SuperFlash, Symmetricom, SyncServer, Tachyon, TimeSource, tinyAVR, UNI/O, Vectron, and XMEGA are registered trademarks of Microchip Technology Incorporated in the U.S.A. and other countries.

AgileSwitch, APT, ClockWorks, The Embedded Control Solutions Company, EtherSynch, Flashtec, Hyper Speed Control, HyperLight Load, IntelliMOS, Libero, motorBench, mTouch, Powermite 3, Precision Edge, ProASIC, ProASIC Plus, ProASIC Plus logo, QuietWire, SmartFusion, SyncWorld, Temux, TimeCesium, TimeHub, TimePictra, TimeProvider, TrueTime, WinPath, and ZL are registered trademarks of Microchip Technology Incorporated in the U.S.A.

Adjacent Key Suppression, AKS, Analog-for-the-Digital Age, Any Capacitor, AnyIn, AnyOut, Augmented Switching, BlueSky, BodyCom, CodeGuard, CryptoAuthentication, CryptoAutomotive, CryptoCompanion, CryptoController, dsPICDEM, dsPICDEM.net, Dynamic Average Matching, DAM, ECAN, Espresso T1S, EtherGREEN, GridTime, IdealBridge, In-Circuit Serial Programming, ICSP, INICnet, Intelligent Paralleling, Inter-Chip Connectivity, JitterBlocker, Knob-on-Display, maxCrypto, maxView, memBrain, Mindi, MiWi, MPASM, MPF, MPLAB Certified logo, MPLIB, MPLINK, MultiTRAK, NetDetach, NVM Express, NVMe, Omniscient Code Generation, PICDEM, PICDEM.net, PICKit, PICtail, PowerSmart, PureSilicon, QMatrix, REAL ICE, Ripple Blocker, RTAX, RTG4, SAM-ICE, Serial Quad I/O, simpleMAP, SimpliPHY, SmartBuffer, SmartHLS, SMART-I.S., storClad, SQL, SuperSwitcher, SuperSwitcher II, Switchtec, SynchroPHY, Total Endurance, TSHARC, USBCheck, VariSense, VectorBlox, VeriPHY, ViewSpan, WiperLock, XpressConnect, and ZENA are trademarks of Microchip Technology Incorporated in the U.S.A. and other countries.

SQTP is a service mark of Microchip Technology Incorporated in the U.S.A.

The Adaptec logo, Frequency on Demand, Silicon Storage Technology, Symmcom, and Trusted Time are registered trademarks of Microchip Technology Inc. in other countries.

GestIC is a registered trademark of Microchip Technology Germany II GmbH & Co. KG, a subsidiary of Microchip Technology Inc., in other countries.

All other trademarks mentioned herein are property of their respective companies.

© 2017-2021, Microchip Technology Incorporated and its subsidiaries.

All Rights Reserved.

ISBN: 978-1-5224-8969-6



# MICROCHIP

## Worldwide Sales and Service

### AMERICAS

**Corporate Office**  
2355 West Chandler Blvd.  
Chandler, AZ 85224-6199  
Tel: 480-792-7200  
Fax: 480-792-7277  
Technical Support:  
[http://www.microchip.com/  
support](http://www.microchip.com/support)  
Web Address:  
[www.microchip.com](http://www.microchip.com)

#### Atlanta

Duluth, GA  
Tel: 678-957-9614  
Fax: 678-957-1455

#### Austin, TX

Tel: 512-257-3370

#### Boston

Westborough, MA  
Tel: 774-760-0087  
Fax: 774-760-0088

#### Chicago

Itasca, IL  
Tel: 630-285-0071  
Fax: 630-285-0075

#### Dallas

Addison, TX  
Tel: 972-818-7423  
Fax: 972-818-2924

#### Detroit

Novi, MI  
Tel: 248-848-4000

#### Houston, TX

Tel: 281-894-5983

#### Indianapolis

Noblesville, IN  
Tel: 317-773-8323  
Fax: 317-773-5453  
Tel: 317-536-2380

#### Los Angeles

Mission Viejo, CA  
Tel: 949-462-9523  
Fax: 949-462-9608  
Tel: 951-273-7800

#### Raleigh, NC

Tel: 919-844-7510

#### New York, NY

Tel: 631-435-6000

#### San Jose, CA

Tel: 408-735-9110  
Tel: 408-436-4270

#### Canada - Toronto

Tel: 905-695-1980  
Fax: 905-695-2078

### ASIA/PACIFIC

**Australia - Sydney**  
Tel: 61-2-9868-6733

**China - Beijing**  
Tel: 86-10-8569-7000

**China - Chengdu**  
Tel: 86-28-8665-5511

**China - Chongqing**  
Tel: 86-23-8980-9588

**China - Dongguan**  
Tel: 86-769-8702-9880

**China - Guangzhou**  
Tel: 86-20-8755-8029

**China - Hangzhou**  
Tel: 86-571-8792-8115

**China - Hong Kong SAR**  
Tel: 852-2943-5100

**China - Nanjing**  
Tel: 86-25-8473-2460

**China - Qingdao**  
Tel: 86-532-8502-7355

**China - Shanghai**  
Tel: 86-21-3326-8000

**China - Shenyang**  
Tel: 86-24-2334-2829

**China - Shenzhen**  
Tel: 86-755-8864-2200

**China - Suzhou**  
Tel: 86-186-6233-1526

**China - Wuhan**  
Tel: 86-27-5980-5300

**China - Xian**  
Tel: 86-29-8833-7252

**China - Xiamen**  
Tel: 86-592-2388138

**China - Zhuhai**  
Tel: 86-756-3210040

### ASIA/PACIFIC

**India - Bangalore**  
Tel: 91-80-3090-4444

**India - New Delhi**  
Tel: 91-11-4160-8631

**India - Pune**  
Tel: 91-20-4121-0141

**Japan - Osaka**  
Tel: 81-6-6152-7160

**Japan - Tokyo**  
Tel: 81-3-6880-3770

**Korea - Daegu**  
Tel: 82-53-744-4301

**Korea - Seoul**  
Tel: 82-2-554-7200

**Malaysia - Kuala Lumpur**  
Tel: 60-3-7651-7906

**Malaysia - Penang**  
Tel: 60-4-227-8870

**Philippines - Manila**  
Tel: 63-2-634-9065

**Singapore**  
Tel: 65-6334-8870

**Taiwan - Hsin Chu**  
Tel: 886-3-577-8366

**Taiwan - Kaohsiung**  
Tel: 886-7-213-7830

**Taiwan - Taipei**  
Tel: 886-2-2508-8600

**Thailand - Bangkok**  
Tel: 66-2-694-1351

**Vietnam - Ho Chi Minh**  
Tel: 84-28-5448-2100

### EUROPE

**Austria - Wels**  
Tel: 43-7242-2244-39  
Fax: 43-7242-2244-393

**Denmark - Copenhagen**  
Tel: 45-4485-5910  
Fax: 45-4485-2829

**Finland - Espoo**  
Tel: 358-9-4520-820

**France - Paris**  
Tel: 33-1-69-53-63-20  
Fax: 33-1-69-30-90-79

**Germany - Garching**  
Tel: 49-8931-9700

**Germany - Haan**  
Tel: 49-2129-3766400

**Germany - Heilbronn**  
Tel: 49-7131-72400

**Germany - Karlsruhe**  
Tel: 49-721-625370

**Germany - Munich**  
Tel: 49-89-627-144-0  
Fax: 49-89-627-144-44

**Germany - Rosenheim**  
Tel: 49-8031-354-560

**Israel - Ra'anana**  
Tel: 972-9-744-7705

**Italy - Milan**  
Tel: 39-0331-742611  
Fax: 39-0331-466781

**Italy - Padova**  
Tel: 39-049-7625286

**Netherlands - Drunen**  
Tel: 31-416-690399  
Fax: 31-416-690340

**Norway - Trondheim**  
Tel: 47-7288-4388

**Poland - Warsaw**  
Tel: 48-22-3325737

**Romania - Bucharest**  
Tel: 40-21-407-87-50

**Spain - Madrid**  
Tel: 34-91-708-08-90  
Fax: 34-91-708-08-91

**Sweden - Gothenberg**  
Tel: 46-31-704-60-40

**Sweden - Stockholm**  
Tel: 46-8-5090-4654

**UK - Wokingham**  
Tel: 44-118-921-5800  
Fax: 44-118-921-5820

## X-ON Electronics

Largest Supplier of Electrical and Electronic Components

*Click to view similar products for [8-bit Microcontrollers - MCU category](#):*

*Click to view products by [Microchip manufacturer](#):*

Other Similar products are found below :

[CY8C28433-24PVXIT](#) [MB95F696KPMC-G-SNE2](#) [ISD-ES1600\\_USB\\_PROG](#) [HD64F2144AFA20](#) [STM8TL53G4U6](#) [UPD78F0503AMC-CAB-AX](#) [MC9S08GT32ACFDER](#) [MB95F202KPF-G-SNE2](#) [UPD78F0537AGK-GAJ-AX](#) [MB95F318EPMC-G-SNE2](#) [LC78615E-01US-H](#) [MB95F698KPMC-G-UNE2](#) [MB89F538-101PMC-GE1](#) [LC87FBK08AU-SSOP-H](#) [LC87F2C64AU-QFP-H](#) [MB95F636KNWQN-G-118-SNE1](#) [LC87F5NC8AVU-QIP-E](#) [STM8AL3168TAX](#) [STM8S007C8T6TR](#) [LC87F2G08AU-SSOP-E](#) [CP8085AT](#) [STM8TL52G4U6](#) [MB95F272HPF-G-SNE2](#) [ST72F361AR9T6](#) [STM8AF5286UCX](#) [UPSD3312DV-40T6](#) [LC87F2416AU-EB-2E](#) [MB95F118NWPMC-GE1](#) [MB95F128NBPMC-GE1](#) [MB95F202HPF-G-SNE2](#) [MB95F202HP-G-SH-SNE2](#) [MB95F202KP-G-SH-SNE2](#) [MB95F203HPF-G-SNE2](#) [MB95F204HP-G-SH-SNE2](#) [MB95F204KP-G-SH-SNE2](#) [MB95F212KPF-G-SNE2](#) [MB95F212KPH-G-SNE2](#) [MB95F223KPF-G-SNE1](#) [MB95F264HPFT-G-SNE2](#) [MB95F272KPF-G-SNE2](#) [MB95F273HPF-G-SNE2](#) [MB95F283KPF-G-SNE1](#) [MB95F354LPF-G-SNE2](#) [MB95F354LPFT-G-SNE2](#) [MB95F564HWQN-G-SNE1](#) [MCV14A-I/SL](#) [MB95F636KPMC-G-UNE2](#) [PIC16LF1566-I/SO](#) [PIC12F509T-E/SN](#) [PIC16F18855T-I/SO](#)