
SAMC21N Xplained Pro

Preface

The SAMC21N Xplained Pro evaluation kit is a hardware platform to evaluate ATSAMC21N18A microcontroller.

Supported by the Atmel Studio integrated development platform, the kit provides easy access to the features of the ATSAMC21N18A and explains how to integrate the device in a custom design.

The Xplained Pro MCU series evaluation kits include an on-board embedded debugger, and no external tools are necessary to program or debug the ATSAMC21N18A.

The Xplained Pro extension series evaluation kits offers additional peripherals to extend the features of the board and ease the development of custom designs.

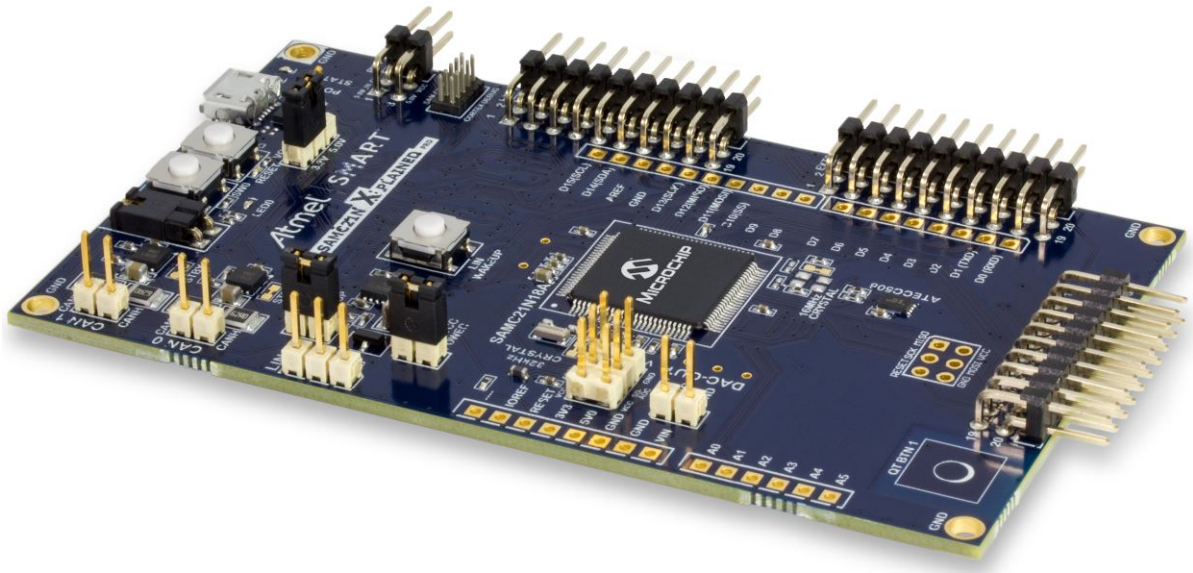


Table of Contents

Preface.....	1
1. Introduction.....	4
1.1. Features.....	4
1.2. Kit Overview.....	4
2. Getting Started.....	6
2.1. Xplained Pro Quick Start.....	6
2.2. Design Documentation and Relevant Links.....	6
3. Xplained Pro.....	8
3.1. Embedded Debugger.....	8
3.2. Hardware Identification System.....	9
3.3. Power Sources.....	9
3.4. Xplained Pro Headers and Connectors.....	10
4. Hardware Users Guide.....	12
4.1. Power Distribution.....	12
4.2. Connectors.....	12
4.3. Peripherals.....	20
4.4. Kit Modifications.....	23
4.5. Embedded Debugger Implementation.....	28
5. Appendix.....	31
5.1. Getting Started with IAR.....	31
5.2. Connecting a SAM-ICE to an Xplained Pro Board.....	34
6. Hardware Revision History and Known Issues.....	36
6.1. Identifying Product ID and Revision.....	36
6.2. Revision.....	36
7. Document Revision History.....	37
The Microchip Web Site.....	38
Customer Change Notification Service.....	38
Customer Support.....	38
Microchip Devices Code Protection Feature.....	38
Legal Notice.....	39
Trademarks.....	39
Quality Management System Certified by DNV.....	40

Worldwide Sales and Service.....41

1. Introduction

1.1 Features

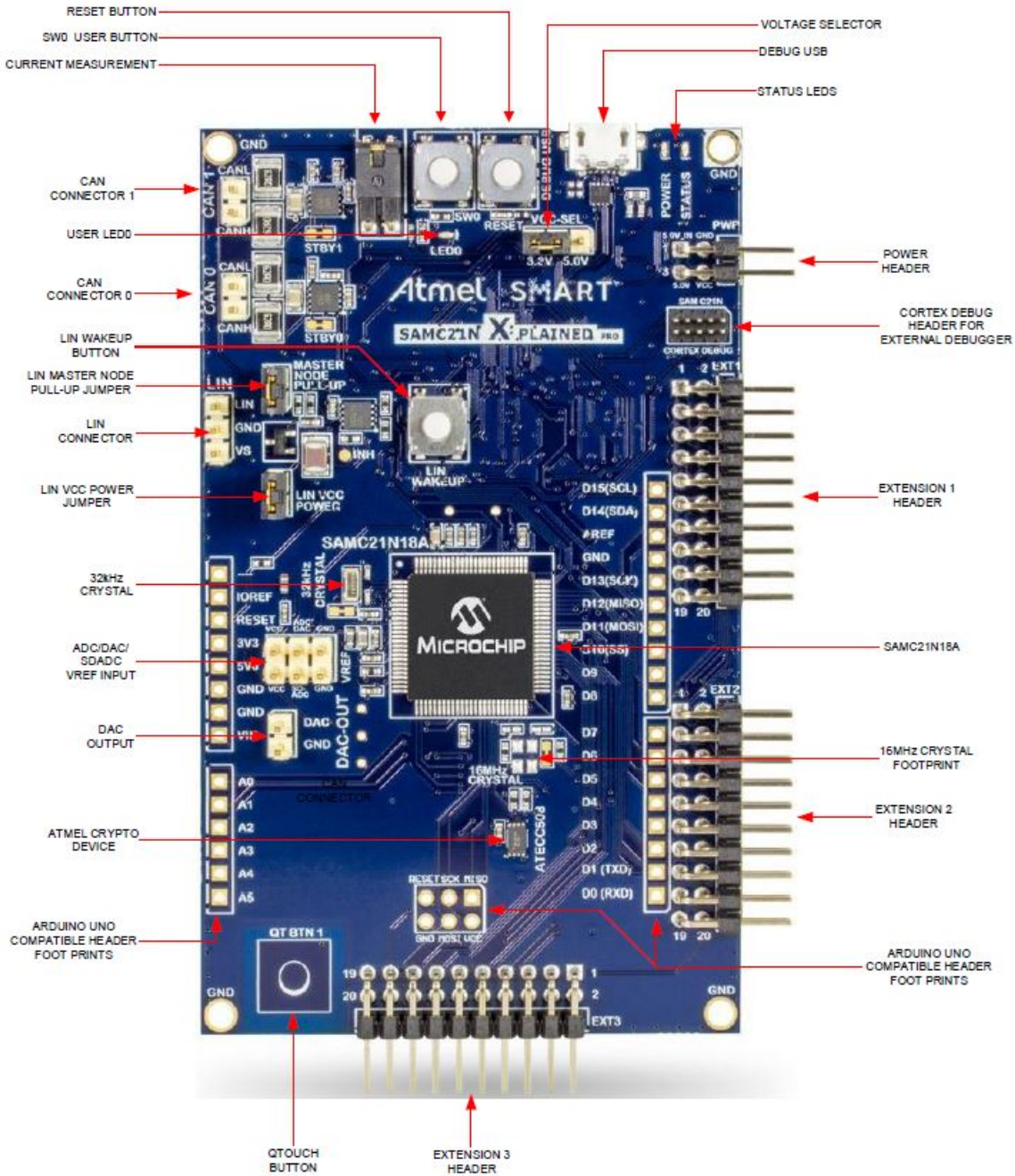
- ATSAMC21N18A microcontroller
- Embedded Debugger
 - USB interface
 - Auto-ID for board identification in Atmel Studio
 - One yellow status LED
 - One green board power LED
 - Symbolic debug of complex data types including scope information
 - Programming and debugging of on-board SAMC21N through Serial Wire Debug (SWD)
 - Data Gateway Interface: SPI, I²C, four GPIOs
 - Virtual COM port (CDC)
 - Control of on-board power switch to protect connected extensions against high voltage
- Digital I/O
 - Two mechanical buttons (user and reset button)
 - One QTouch[®] button
 - One yellow user LED
 - Three Xplained Pro extension headers
- Two selectable target voltages
 - 3.3V
 - 5.0V
- Level converters between target section and EDBG section
- 32.768kHz crystal mounted
- 16MHz crystal footprint (not mounted)
- 2 CAN transceivers
- 1 LIN transceiver
 - Wake-up button
 - Master node pull-up enable
 - Alternate LIN power jumper
- DAC output connector
- Analog voltage reference connector with filtered power supply
 - SDADC VREF
 - ADC/DAC VREF
- Supported with application examples in Atmel Software Framework

1.2 Kit Overview

The SAMC21N Xplained Pro evaluation kit is a hardware platform to evaluate the ATSAMC21N18A.

The kit offers a set of features that enables the ATSAMC21N18A user to get started with the SAM C peripherals right away and to get an understanding of how to integrate the device in their own design.

Figure 1-1. SAMC21N Xplained Pro Evaluation Kit Overview



2. Getting Started

2.1 Xplained Pro Quick Start

Steps to start exploring the Atmel Xplained Pro platform:

1. Download [Atmel Studio](#).
2. Launch Atmel Studio.
3. Connect a USB cable (Standard-A to Micro-B or Micro-AB) between the PC and the DEBUG USB port on the kit.

When the Xplained Pro MCU kit is connected to your computer for the first time, the operating system will perform a driver software installation. The driver file supports both 32-bit and 64-bit versions of Microsoft® Windows® XP, Windows Vista®, Windows 7, and Windows 8.

Once the Xplained Pro MCU board is powered the green power LED will be lit and Atmel Studio will auto detect which Xplained Pro MCU and extension boards are connected. Atmel Studio will present relevant information like datasheets and kit documentation. The kit landing page in Atmel Studio also has the option to launch Atmel Software Framework (ASF) example applications for the kit. The SAMC21N device is programmed and debugged by the on-board Embedded Debugger and therefore no external programmer or debugger tool is needed.

2.2 Design Documentation and Relevant Links

The following list contains links to the most relevant documents and software for SAMC21N Xplained Pro:

- [Xplained products](#) - Xplained evaluation kits are a series of easy-to-use evaluation kits for Microchip microcontrollers and other Microchip products.
 - Xplained Nano: used for low pin-count devices and provides a minimalistic solution with access to all I/O pins of the target microcontroller.
 - Xplained Mini: used for medium pin-count devices and adds Arduino Uno compatible header footprint and a prototyping area.
 - Xplained Pro: used for medium to high pin-count devices that features advanced debugging and standardized extensions for peripheral functions.

Note: All the above kits have on-board programmers/debuggers, which creates a set of low-cost boards for evaluation and demonstration of features and capabilities of different Microchip products.

- [Atmel Studio](#) - Free IDE for the development of C/C++ and assembler code for microcontrollers.
- [Microchip sample store](#) - Microchip sample store where you can order samples of devices.
- [EDBG User Guide](#) - User guide containing more information about the on-board Embedded Debugger.
- [IAR Embedded Workbench® for ARM®](#) - This is a commercial C/C++ compiler that is available for ARM®. There is a 30 day evaluation version as well as a code size limited kick-start version available from their website. The code size limit is 16KB for devices with M0, M0+, and M1 cores and 32KB for devices with other cores.
- [Data Visualizer](#) - Data Visualizer is a program used for processing and visualizing data. The Data Visualizer can receive data from various sources such as the Embedded Debugger Data Gateway Interface found on Xplained Pro boards and COM Ports.
- [Hardware Users Guide in PDF format](#) - PDF version of this User Guide.

- [Design Documentation](#) - Package containing CAD source, schematics, BOM, assembly drawings, 3D plots, layer plots etc
- [SAMC21N Xplained Pro in Microchip website](#)

3. Xplained Pro

Xplained Pro is an evaluation platform that provides the full microcontroller experience. The platform consists of a series of Microcontroller (MCU) boards and extension boards, which are integrated with Atmel Studio, have Atmel Software Framework (ASF)/Atmel START drivers and demo code, support data streaming, and more. Xplained Pro MCU boards support a wide range of Xplained Pro extension boards, which are connected through a set of standardized headers and connectors. Each extension board has an identification (ID) chip to uniquely identify which boards are connected to an Xplained Pro MCU board. This information is used to present relevant user guides, application notes, data sheets, and example code through Atmel Studio.

3.1 Embedded Debugger

The SAMC21N Xplained Pro contains the Embedded Debugger (EDBG) for on-board debugging. The EDBG is a composite USB device of three interfaces; a debugger, Virtual COM Port, and a Data Gateway Interface (DGI).

Together with Atmel Studio, the EDBG debugger interface can program and debug the ATSAMC21N18A. On SAMC21N Xplained Pro, the SWD interface is connected between the EDBG and the ATSAMC21N18A.

The Virtual COM Port is connected to a UART on the ATSAMC21N18A and provides an easy way to communicate with the target application through terminal software. It offers variable baud rate, parity, and stop bit settings. Note that the settings on the ATSAMC21N18A must match the settings given in the terminal software.



Info: The Virtual COM Port in the EDBG requires the terminal software to set the data terminal ready (DTR) signal to enable the UART pins connected to the ATSAMC21N18A. If the DTR signal is not enabled the UART pins on the EDBG is kept in high-z (tristate) rendering the COM port unusable. The DTR signal is set automatically by some terminal software, but it may have to be manually enabled in your terminal.

The DGI consists of several physical interfaces for communication with the host computer. Communication over the interfaces is bidirectional. It can be used to send events and values from the ATSAMC21N18A or as a generic printf-style data channel. Traffic over the interfaces can be timestamped on the EDBG for more accurate tracing of events. Note that timestamping imposes an overhead that reduces maximal throughput. [Data Visualizer](#) is used to send and receive data through DGI.

The EDBG controls two LEDs on SAMC21N Xplained Pro; a power LED and a status LED. The table below shows how the LEDs are controlled in different operation modes.

Table 3-1. EDBG LED Control

Operation Mode	Power LED	Status LED
Normal operation	Power LED is lit when power is applied to the board.	Activity indicator, LED flashes when any communication happens to the EDBG.
Bootloader mode (idle)	The power LED and the status LED blinks simultaneously.	
Bootloader mode (firmware upgrade)	The power LED and the status LED blinks in an alternating pattern.	

For further documentation on the EDBG, see the [EDBG User Guide](#).

3.2 Hardware Identification System

All Xplained Pro compatible extension boards have an ATSHA204A CryptoAuthentication chip mounted. This chip contains information that identifies the extension with its name and some extra data. When an Xplained Pro extension is connected to an Xplained Pro MCU board the information is read and sent to Atmel Studio. The Atmel Kits extension, installed with Atmel Studio, will give relevant information, code examples, and links to relevant documents. The table below shows the data fields stored in the ID chip with example content.

Table 3-2. Xplained Pro ID Chip Content

Data field	Data type	Example content
Manufacturer	ASCII string	Atmel'\0'
Product Name	ASCII string	Segment LCD1 Xplained Pro'\0'
Product Revision	ASCII string	02'\0'
Product Serial Number	ASCII string	1774020200000010'\0'
Minimum Voltage [mV]	uint16_t	3000
Maximum Voltage [mV]	uint16_t	3600
Maximum Current [mA]	uint16_t	30

3.3 Power Sources

The SAMC21N Xplained Pro kit can be powered by several power sources as listed in the table below.

Table 3-3. Power Sources for SAMC21N Xplained Pro

Power Input	Voltage Requirements	Current Requirements	Connector Marking
External power	5V \pm 2% (\pm 100mV) for USB host operation. 4.3V to 5.5V if USB host operation is not required.	Recommended minimum is 1A to be able to provide enough current for connected USB devices and the board itself. Recommended	PWR

Power Input	Voltage Requirements	Current Requirements	Connector Marking
		maximum is 2A due to the input protection maximum current specification.	
Embedded debugger USB	4.4V to 5.25V (according to USB spec.)	500mA (according to USB spec.)	DEBUG USB

The kit will automatically detect which power sources are available and choose which one to use according to the following priority:

1. External power.
2. Embedded Debugger USB.



Info: External power is required when 500mA from a USB connector is not enough to power the board with possible extension boards.

3.4 Xplained Pro Headers and Connectors

3.4.1 Xplained Pro Standard Extension Header

All Xplained Pro kits have one or more dual row, 20-pin, 100mil extension header. Xplained Pro MCU boards have male headers, while Xplained Pro extensions have their female counterparts. Note that all pins are not always connected. All connected pins follow the defined pin-out description in the table below.

The extension headers can be used to connect a variety of Xplained Pro extensions to Xplained Pro MCU boards or to access the pins of the target MCU on Xplained Pro MCU boards directly.

Table 3-4. Xplained Pro Standard Extension Header

Pin Number	Name	Description
1	ID	Communication line to the ID chip on an extension board
2	GND	Ground
3	ADC(+)	Analog to digital converter, alternatively positive part of differential ADC
4	ADC(-)	Analog to digital converter, alternatively negative part of differential ADC
5	GPIO1	General purpose I/O
6	GPIO2	General purpose I/O
7	PWM(+)	Pulse width modulation, alternatively positive part of differential PWM
8	PWM(-)	Pulse width modulation, alternatively negative part of differential PWM

Pin Number	Name	Description
9	IRQ/GPIO	Interrupt request line and/or general purpose I/O
10	SPI_SS_B/ GPIO	Slave select for SPI and/or general purpose I/O
11	I ² C_SDA	Data line for I ² C interface. Always implemented, bus type.
12	I ² C_SCL	Clock line for I ² C interface. Always implemented, bus type.
13	UART_RX	Receiver line of target device UART
14	UART_TX	Transmitter line of target device UART
15	SPI_SS_A	Slave select for SPI. Should preferably be unique.
16	SPI_MOSI	Master out slave in line of serial peripheral interface. Always implemented, bus type.
17	SPI_MISO	Master in slave out line of serial peripheral interface. Always implemented, bus type.
18	SPI_SCK	Clock for serial peripheral interface. Always implemented, bus type.
19	GND	Ground
20	VCC	Power for extension board

3.4.2 Xplained Pro Power Header

The power header can be used to connect external power to the SAMC21N Xplained Pro kit. The kit will automatically detect and switch to any external power if supplied. The power header can also be used as supply for external peripherals or extension boards. Care must be taken not to exceed the total current limitation of the on-board regulator when using the 3.3V or 5.0V pin.

Table 3-5. Xplained Pro Power Header

Pin Number	Pin Name	Description
1	VEXT_P5V0	External 5V input
2	GND	Ground
3	VCC_P5V0	Unregulated 5V (output, derived from one of the input sources)
4	VCC_P3V3	Regulated 3.3V (output, used as main power supply for the kit)

4. Hardware Users Guide

4.1 Power Distribution

SAMC21N Xplained Pro has two power sources. [Figure 4-1](#) illustrates a block diagram of the power supply circuitry. The kit can be powered from the EDBG USB and an external 5.0V source. The kit will automatically select which source to draw power from.

The EDBG controls an on-board power switch to the ATSAMC21N18A, the on-board peripherals, and extension connectors. When the kit is powered up, the EDBG reads the ID chip information from all connected Xplained Pro extension boards and checks that they are compatible with the voltage selected by the power selection jumper. If the selected voltage is within the connected extensions ranges the switch will open. If not, the EDBG power LED will blink rapidly and the switch will stay closed resulting in no power provided to the ATSAMC21N18A, on-board peripherals, and connectors.

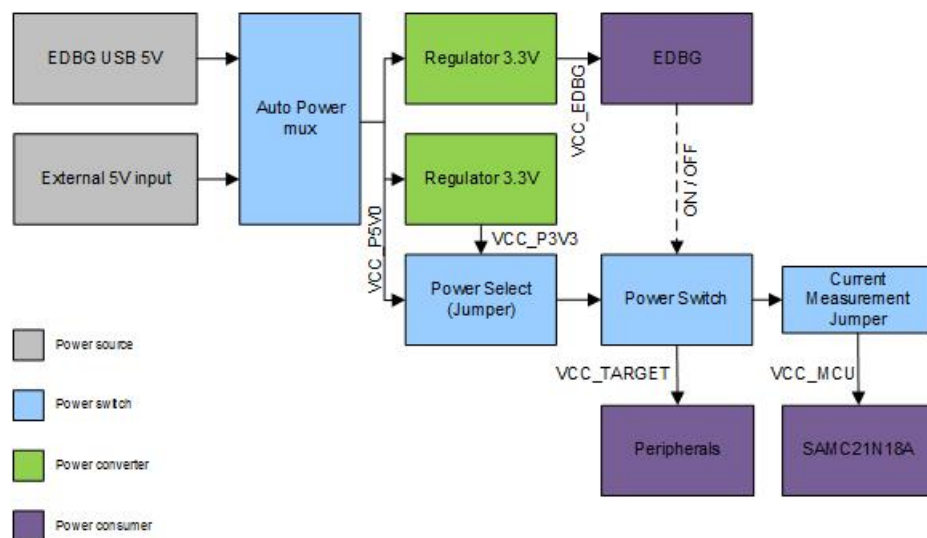


Caution: As the SAMC21N Xplained Pro can be powered by 5.0V care must be taken not to connect any Xplained Pro extensions that does not support this voltage, doing so may result in permanent damage. Check the respective extension kit's user guide to see which voltages are acceptable.



Info: The EDBG only reads the ID information and controls the power switch when the kit is powered up. This mechanism does not check hot-plugging of extension boards.

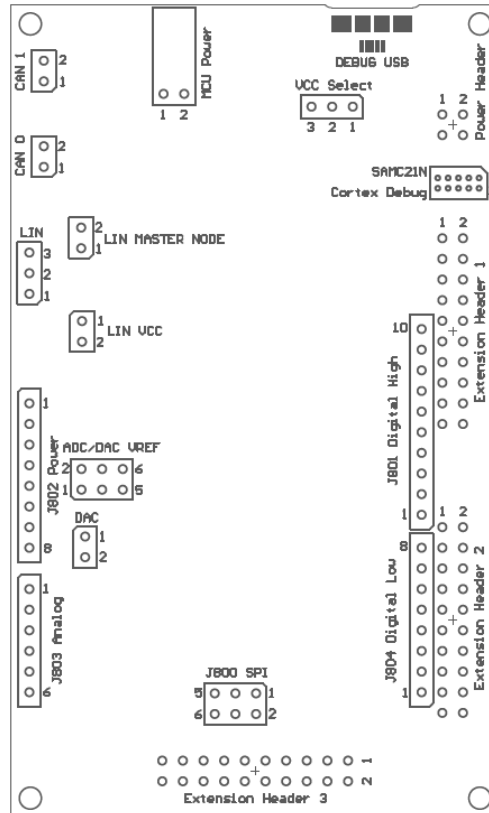
Figure 4-1. Power Supply Block Diagram



4.2 Connectors

The following sections describes the implementation of the relevant connectors and headers on SAMC21N Xplained Pro and their connection to the ATSAMC21N18A. The tables of connections in the sections also describes which signals are shared between the headers and on-board functionality. [Figure 4-2](#) shows all available connectors and jumpers on SAMC21N Xplained Pro.

Figure 4-2. SAMC21N Xplained Pro Connector Overview



4.2.1 Xplained Pro Extension Headers

The SAMC21N Xplained Pro headers EXT1, EXT2, and EXT3 offers access to the I/O of the microcontroller in order to expand the board e.g. by connecting extensions to the board. These headers are based on the standard extension header specified in [Xplained Pro Standard Extension Header](#). The headers have a pitch of 2.54mm.

Table 4-1. Extension Header EXT1

Pin on EXT1	SAMC21N pin	Function	Shared functionality
1 [ID]	-	-	Communication line to the ID chip on an extension board.
2 [GND]	-	-	Ground.
3 [ADC(+)]	PB09	ADC0_AIN3 or SDADC_INP[1] or Y[15]	Shield
4 [ADC(-)]	PB08	ADC0_AIN2 or SDADC_INN[1] or Y[14]	Shield
5 [GPIO1]	PA10	SERCOM2 PAD[2] UART RTS or X[2]/Y[18]	-
6 [GPIO2]	PA11	SERCOM2 PAD[3] UART CTS or X[3]/Y[19]	-
7 [PWM(+)]	PB12	TC4/WO[0] or X[12]/Y[28]	EDBG GPIO0

Pin on EXT1	SAMC21N pin	Function	Shared functionality
8 [PWM(-)]	PB13	TC4/WO[1] or X[13]/Y[29]	-
9 [IRQ/GPIO]	PA22	IRQ6 or TC4/WO[0] or TCC1/WO[0] or X[10]/Y[26]	EDBG GPIO1
10 [SPI_SS_B/GPIO]	PA23	GPIO or TC4/WO[1] or TCC1/WO[1] or X[11]/Y[27]	-
11 [TWI_SDA]	PB16	SERCOM5 PAD[0] I ² C SDA	-
12 [TWI_SCL]	PB17	SERCOM5 PAD[1] I ² C SCL	-
13 [USART_RX]	PA13	SERCOM2 PAD[1] UART RX	-
14 [USART_TX]	PA12	SERCOM2 PAD[0] UART TX	-
15 [SPI_SS_A]	PC28	SERCOM1 PAD[1] SPI SS	-
16 [SPI_MOSI]	PA18	SERCOM1 PAD[2] SPI MOSI or X[6]/Y[22]	-
17 [SPI_MISO]	PC27	SERCOM1 PAD[0] SPI MISO	-
18 [SPI_SCK]	PA19	SERCOM1 PAD[3] SPI SCK or X[7]/Y[23]	-
19 [GND]	-	-	Ground.
20 [VCC]	-	-	Power for extension board.

Table 4-2. Extension Header EXT2

Pin on EXT2	SAMC21N pin	Function	Shared functionality
1 [ID]	-	-	Communication line to the ID chip on an extension board.
2 [GND]	-	-	Ground.
3 [ADC(+)]	PA08	ADC1_AIN[10] or X[0]/Y[16]	-
4 [ADC(-)]	PA09	ADC1_AIN[11] or X[1]/Y[17]	-
5 [GPIO1]	PA20	SERCOM3 PAD[2] UART RTS or X[8]/Y[24]	-
6 [GPIO2]	PA21	SERCOM3 PAD[3] UART CTS or X[9]/Y[25]	-
7 [PWM(+)]	PB30	TC0/WO[0]	Shield
8 [PWM(-)]	PB31	TC0/WO[1]	Shield
9 [IRQ/GPIO]	PC24	IRQ0/GPIO	EDBG GPIO2
10 [SPI_SS_B/GPIO]	PC25	GPIO	-
11 [TWI_SDA]	PA16	SERCOM1 PAD[0] I ² C SDA	EXT3 , Shield , EDBG I²C and Crypto Device

Pin on EXT2	SAMC21N pin	Function	Shared functionality
12 [TWI_SCL]	PA17	SERCOM1 PAD[1] I ² C SCL	EXT3 , Shield , EDBG I²C and Crypto Device
13 [USART_RX]	PB21	SERCOM3 PAD[1] UART RX	-
14 [USART_TX]	PB20	SERCOM3 PAD[0] UART TX	-
15 [SPI_SS_A]	PB03	SERCOM5 PAD[1] SPI SS or Y[9]	-
16 [SPI_MOSI]	PB00	SERCOM5 PAD[2] SPI MOSI or Y[6]	-
17 [SPI_MISO]	PB02	SERCOM5 PAD[0] SPI MISO or Y[8]	-
18 [SPI_SCK]	PB01	SERCOM5 PAD[3] SPI SCK or Y[7]	-
19 [GND]	-	-	Ground.
20 [VCC]	-	-	Power for extension board.

Table 4-3. Extension Header EXT3

Pin on EXT3	SAMC21N pin	Function	Shared functionality
1 [ID]	-	-	Communication line to the ID chip on an extension board.
2 [GND]	-	-	Ground.
3 [ADC(+)]	PB07	ADC1_AIN[9] or SDADC_INP[2] or Y[13]	-
4 [ADC(-)]	PB06	ADC1_AIN[8] or SDADC_INN[2] or Y[12]	-
5 [GPIO1]	PC18	SERCOM6 PAD[2] UART RTS	-
6 [GPIO2]	PC19	SERCOM6 PAD[3] UART CTS	-
7 [PWM(+)]	PB22	TCC1/WO[2]	-
8 [PWM(-)]	PB23	TCC1/WO[3]	-
9 [IRQ/GPIO]	PA28	IRQ8/GPIO	EDBG GPIO3
10 [SPI_SS_B/GPIO]	PA27	GPIO	-
11 [TWI_SDA]	PA16	SERCOM1 PAD[0] I ² C SDA	EXT2 , Shield , EDBG I²C and Crypto Device
12 [TWI_SCL]	PA17	SERCOM1 PAD[1] I ² C SCL	EXT2 , Shield , EDBG I²C and Crypto Device

Pin on EXT3	SAMC21N pin	Function	Shared functionality
13 [USART_RX]	PC17	SERCOM6 PAD[1] UART RX	-
14 [USART_TX]	PC16	SERCOM6 PAD[0] UART TX	-
15 [SPI_SS_A]	PC13	SERCOM7 PAD[1] SPI SS	-
16 [SPI_MOSI]	PC14	SERCOM7 PAD[2] SPI MOSI	Shield, Shield(2), and EDBG SPI
17 [SPI_MISO]	PC12	SERCOM7 PAD[0] SPI MISO	Shield, Shield(2), and EDBG SPI
18 [SPI_SCK]	PC11	SERCOM7 PAD[3] SPI SCK	Shield, Shield(2), and EDBG SPI
19 [GND]	-	-	Ground.
20 [VCC]	-	-	Power for extension board.

4.2.2 Arduino Connectors

SAMC21N Xplained Pro implements Arduino shield connectors based on the [Arduino Uno](#). All references to Arduino pin names are taken from the official Arduino [schematics](#) of the Arduino Uno.



Caution: The target section of SAMC21N Xplained Pro can be powered by 3.3V or 5.0V. The maximum voltage the I/O pins can tolerate depends on the supply voltage. Providing higher voltages like 5V to an I/O pin when the ATSAMC21N18A is powered by 3.3V could damage the board.



Info: Note that all pins do not have the exact same functionality as on the Arduino Uno on the shield connectors. Each shield should be checked for compatibility before it is connected.

Table 4-4. J802 - Power

Pin on J802	SAMC21N pin	Arduino pin name	Function	Shared functionality
1	-	RFU	-	-
2	-	IOREF	VCC_TARGET_P3V3_P5V0	-
3	RESETN	RESET	TARGET_RESET	-
4	-	3.3V	VCC_P3V3	-
5	-	5V	VCC_P5V0	-
6	-	GND	GND	-
7	-	GND	GND	-
8	-	VIN	VCC_EXT_P5V0	-

Table 4-5. J803 - Analog

Pin on J803	SAMC21N pin	Arduino pin name	Function	Shared functionality
1	PB09	ADC0	ADC0_AIN3 or SDADC_INP[1] or Y[15]	EXT1
2	PB08	ADC1	ADC0_AIN2 or SDADC_INN[1] or Y[14]	EXT1
3	PC00	ADC2	ADC0_AIN8	-
4	PC01	ADC3	ADC0_AIN9	-
5	PC02	ADC4	ADC0_AIN10	-
6	PC03	ADC5	ADC0_AIN11	-

Table 4-6. J804 - Digital Low

Pin on J804	SAMC21N pin	Arduino pin name	Function	Shared functionality
1	PB25	D0 / RX0	SERCOM0 PAD[1] UART RX	-
2	PB24	D1 / TX0	SERCOM0 PAD[0] UART TX	-
3	PC20	D2	GPIO	-
4	PA14	D3	TC3/WO[0]	Crystal Foot Print
5	PC21	D4	GPIO	-
6	PA15	D5	TC3/WO[1]	Crystal Foot Print
7	PB30	D6	TC0/WO[0]	EXT2
8	PB04	D7	GPIO	-

Table 4-7. J801 - Digital High

Pin on J801	SAMC21N pin	Arduino pin name	Function	Shared functionality
1	PC26	D8	GPIO	-
2	PB31	D9	TC0/WO[1]	EXT2
3	PB18	D10 / SPI-SS	GPIO (SPI SS)	-
4	PC14	D11 / SPI-MOSI	SERCOM7 PAD[2] SPI MOSI	EXT3, EDBG SPI, and Shield2
5	PC12	D12 / SPI-MISO	SERCOM7 PAD[0] SPI MISO	EXT3, EDBG SPI, and Shield2
6	PC11	D13 / SPI-SCK	SERCOM7 PAD[3] SPI SCK	EXT3, EDBG SPI, and Shield2
7	-	GND	-	-

Pin on J801	SAMC21N pin	Arduino pin name	Function	Shared functionality
8	PA03	AREF	ADC/VREFA or DAC/VREFB	
9	PA16	D14/SDA	SERCOM1 PAD[0] I ² C SDA	EXT2, EXT3, Crypto Device, and EDBG I ² C
10	PA17	D15/SCL	SERCOM1 PAD[1] I ² C SCL	EXT2, EXT3, Crypto Device, and EDBG I ² C

Table 4-8. J800 - SPI

Pin on J800	SAMC21N pin	Arduino pin name	Function	Shared functionality
1	PC12	MISO	SERCOM7 PAD[0] SPI MISO	EXT3, EDBG SPI, and Shield
2	-	5V	VCC_TARGET_P3V3_P5V0	-
3	PC11	SCK	SERCOM7 PAD[3] SPI SCK	EXT3, EDBG SPI, and Shield
4	PC14	MOSI	SERCOM7 PAD[2] SPI MOSI	EXT3, EDBG SPI, and Shield
5	RESETN	RESET	TARGET_RESET	-
6	-	GND	GND	-

4.2.3 VCC Selection Header

The SAMC21N Xplained Pro has a 3-pin header labeled VCC_SEL on the board. This header can be used to select between 3.3V and 5.0V as the supply voltage for the ATSAMC21N18A, peripherals, and extension headers by placing a jumper on pin 1-2 or pin 2-3. Selecting 5.0V will supply the kit directly from the USB or an external 5.0V source. Selecting 3.3V will supply the kit from an on-board regulator.

Table 4-9. VCC_SEL Header

VCC_SEL header pin	Function
1	VCC_P5V0
2	VCC_TARGET
3	VCC_P3V3

4.2.4 VREF Header

SAMC21N Xplained Pro has a 6-pin header labeled VREF on the board. This header can be used to select / apply a voltage reference to the ADC, DAC, and SDADC. Jumpers can be used to tie SADC VREF and ADC/DAC VREF to the kit target voltage from pin 1-3 and 2-4, or external voltages can be applied across pin 3-5 and 4-6.

Table 4-10. VREF Header

VREF header pin	Pin / Net	Function
1	VCC_AREF_P3V3_P5V0	Filtered kit target voltage
2	VCC_AREF_P3V3_P5V0	Filtered kit target voltage
3	PA04	SDADC voltage reference
4	PA03	ADC / DAC voltage reference
5	GND	Ground
6	GND	Ground

4.2.5 DAC Header

SAMC21N Xplained Pro has a 2-pin header labeled DAC-OUT on the board that is connected to the DAC output of the ATSAMC21N18A and ground.

Table 4-11. DAC Header

DAC header pin	Pin / Net	Function	Shared functionality
1	PA02	DAC VOUT	
2	GND	Ground	

4.2.6 Current Measurement Header

An angled 1x2, 100mil pin-header marked with MCU current measurement is located at the upper edge of the SAMC21N Xplained Pro. All power to the ATSAMC21N18A is exclusively routed through this header (excluding power to headers and peripherals). To measure the power consumption of the device, remove the jumper and replace it with an ammeter.



Caution: Removing the jumper from the pin-header while the kit is powered may cause the ATSAMC21N18A to be powered through its I/O pins. This may cause permanent damage to the device.

4.2.7 Cortex Debug Connector

SAMC21N Xplained Pro has a 10-pin 50-mil Cortex® Debug Connector that can be used to attach external debuggers to the ATSAMC21N18A.

Table 4-12. Cortex Debug Connector

Cortex Debug Connector pin	Pin / Net	Function
1	VCC_TARGET_P3V3_P5V0	ATSAMC21N18A voltage
2	SWDIO	SWD data signal
3	GND	Ground
4	SWCLK	SWD clock signal
5	GND	Ground
6	-	-

Cortex Debug Connector pin	Pin / Net	Function
7	-	-
8	-	-
9	GND	Ground
10	RESETN	Target reset signal

4.3 Peripherals

4.3.1 LED

There is one yellow LED available on the SAMC21N Xplained Pro board that can be turned on and off. The LED is activated by driving the connected I/O line to low.

Table 4-13. LED Connection

SAMC21N pin	Function	Shared functionality
PC05	TCC2/WO1 for User LED (Yellow color)	-

4.3.2 Mechanical Buttons

SAMC21N Xplained Pro contains two mechanical buttons connected to the SAMC21N. One button is the RESET button connected to the reset line and the other is a generic user configurable button. When a button is pressed it will drive the I/O line to GND.



Info: There is no pull-up resistor connected to the generic user button. Remember to enable the internal pull-up in the SAMC21N to use the button.

Table 4-14. Mechanical Buttons

SAMC21N pin	Function	Shared functionality
RESETN	RESET	Shield , Shield(2) , and EDBG
PB19	GPIO for User Button	-

4.3.3 Crystals

The SAMC21N Xplained Pro kit contains one mounted 32.768kHz crystal and a footprint for higher frequency crystals that can be used as clock sources for the SAMC21N. The crystals have cut-straps next to them that can be used to measure the oscillator safety factor. This is done by cutting the strap and adding a resistor across the strap. Information about oscillator allowance and safety factor can be found in appnote [AVR4100](#). Information about clock calibration and compensation can be found in appnote [AT03155](#).

Table 4-15. External 32.768kHz Crystal

SAMC21N pin	Function	Shared functionality
PA00	XIN32	-
PA01	XOUT32	-

Table 4-16. External Crystal Footprint

SAMC21N pin	Function	Shared functionality
PA14	XIN	EXT3 and Shield
PA15	XOUT	EXT3 and Shield

4.3.4 CAN

ATSAMC21N18A has two CAN modules that performs communication according to ISO11898-1 (Bosch CAN specification 2.0 part A,B) and Bosch CAN FD specification V1.0.

CAN 0 and CAN 1 are connected to two on-board [ATA6561](#) CAN physical-layer transceivers. [Table 4-17](#) and [Table 4-18](#) show the connections between the ATSAMC21N18A and two ATA6561 transceivers.

The CAN differential signals are connected to two 1 x 2, 100 mil pin-headerw labeled CAN 0 and CAN 1.

Table 4-17. CAN 0 Transceiver (ATA6561) Connections

SAMC21Npin	Function	ATA6561 function	Shared functionality
PA24	CAN0 TX	TXD	-
PA25	CAN0 RX	RXD	-

Table 4-18. CAN 1 Transceiver (ATA6561) Connections

SAMC21Npin	Function	ATA6561 function	Shared functionality
PB14	CAN1 TX	TXD	-
PB15	CAN1 RX	RXD	-

Table 4-19. CAN Header (CAN 0)

CAN header pin	Function
1	CANH0
2	CANL0

Table 4-20. CAN Header (CAN 1)

CAN header pin	Function
1	CANH1
2	CANL1

4.3.5 LIN

An ATA663211 LIN transceiver is mounted on the kit to convert the LIN signals from the SERCOM module in the SAMC21N device. The LIN compatible signals are available at a 3-pin header.

Table 4-21. LIN Transceiver

SAMC21N pin	Function	ATA663211 function	Shared functionality
PA06	SERCOM0 PAD[2] LIN TX	LIN TXD	-
PA07	SERCOM0 PAD[3] LIN RX	LIN RXD	-
PC15	GPIO	LIN EN	-

Table 4-22. LIN Header

LIN header pin	Function
1	VS
2	GND
3	LIN

Table 4-23. Master Node Pull-up Enable Header

LIN header pin	Function
1	LIN
2	1kΩ pull-up to VS

Table 4-24. LIN VCC Power

LIN header pin	Function
1	VS
2	VCC_TARGET_P3V3_P5V0

4.3.6 QTouch Button

There is one self capacitance button available on the SAMC21N Xplained Pro board that can be used as I/O. This QTouch button is intended to be driven by the built-in Peripheral Touch Controller (PTC) of the device.

Note: To get started with QTouch, refer to [QTouch Tools](#).

Table 4-25. QTouch Connection

SAMC21N pin	Silkscreen text
PA05	Y[3] for QT_BUTTON

4.3.7 Crypto Authentication

Several of the security devices, including CryptoAuthentication device like the [ATECC508A](#), requires only an I²C interface to work, and they share the same package and pinouts. SAMC21N Xplained Pro has implemented 8-pad UDFN package ATECC508A-MAHDA-T device. [Table 4-26](#) shows all the connections between the crypto device and the ATSAMC21N18A.

Table 4-26. Crypto Authentication Device Connection

Pin on footprint	SAMC21N pin	Function	Shared functionality
1	-	NC	-
2	-	NC	-
3	-	NC	-
4	-	GND	-
5	PA16 [SDA]	SERCOM1 PAD[0] I ² C SDA	EXT2, EXT3, Shield, and EDBG I ² C
6	PA17 [SCL]	SERCOM1 PAD[1] I ² C SCL	EXT2, EXT3, Shield, and EDBG I ² C
7	-	NC	-
8	-	VCC_TARGET_P3V3	-
PADDLE	-	GND	-

4.4 Kit Modifications

SAMC21N Xplained Pro has several resistors and jumpers that can be removed/cut to disconnect I/O pins of the ATSAMC21N18A from connectors and on-board ICs and to disconnect/measure power to different sections.

Table 4-27. Resistors

Designator	From	To	Comment
R313	PA14	Arduino shield D3	Remove when using external crystal
R314	PA15	Arduino Shield D5	
R609	RESETN	RESET NET	Remove to disconnect the RESETN pin from the reset system
R607	PB11 RX	CDC RX	Remove to disconnect pins from the EDBG level shifters
R610	RESET NET	EDBG RESET	
R611	PA31 SWDIO	EDBG SWDIO	
R612	PA30 SWCLK	EDBG SWCLK	
R614	PC12 MISO	EDBG MISO	
R618	PB12	EDBG GPIO0	
R619	PA22	EDBG GPIO1	
R620	PC24	EDBG GPIO2	
R621	PA28	EDBG GPIO3	
R800	RESETN	Arduino shield RESET	Remove to disconnect the reset system from the Arduino shield connectors

Figure 4-3. Resistors Top

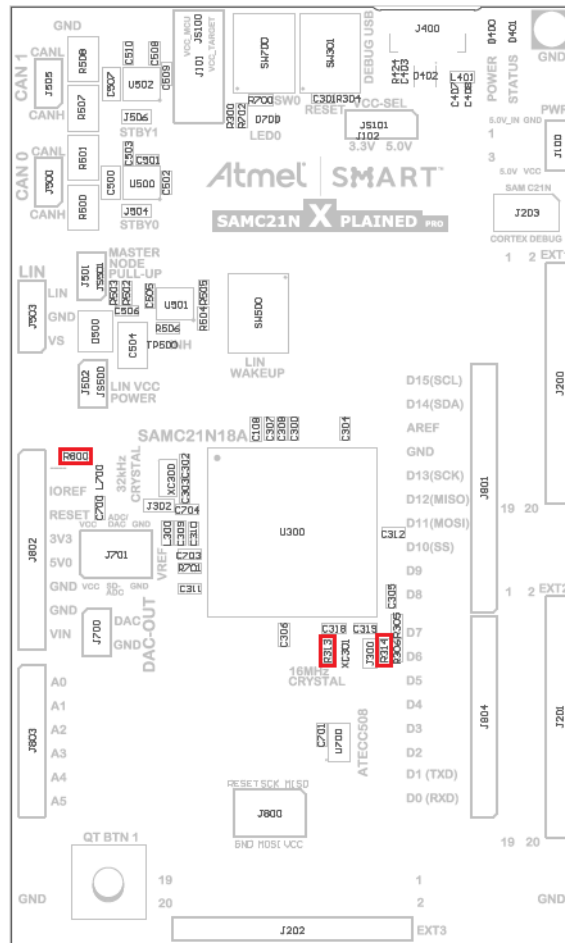


Figure 4-4. Resistors Bottom

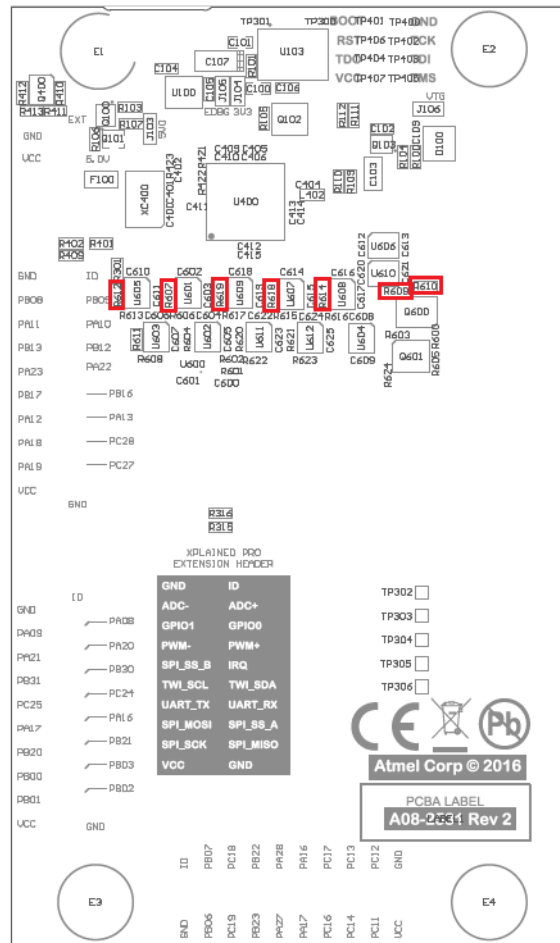


Table 4-28. Jumpers

Designator	From	To	Comment
J101	VCC_TARGET_X_P3V3_P5V0	VCC_MCU_P3V3_P5V0	Remove this jumper (JS100) to measure current to the MCU section
J102	VCC_P5V0 (pin 1) and VCC_P3V3 (pin 3)	VCC_TARGET_SWITCH_P3V3_P5V0	Use this jumper (JS101) to select either 5.0V or 3.3V voltage to the Target section. Default setting in production is 5.0V.
J103	VCC_IN_P5V0	VCC_P5V0	Cut this jumper to measure current from the 5.0V input MUX section. The footprint is 0603 sized.
J104	VCC_P3V3_TARGET	VCC_P3V3	Cut this jumper to measure current to the Target and

Designator	From	To	Comment
			MCU sections. The footprint is 0603 sized.
J105	3.3V linear regulator output for EDBG section	VCC_EDBG_P3V3	Cut this jumper to measure current to the EDBG section. The footprint is 0603 sized.
J106	VCC_TARGET_X_P3V3_P5V0	VCC_TARGET_P3V3_P5V0	Cut this jumper to measure current to the Target section. The footprint is 0603 sized.
J300	PA15_XOUT	16MHz crystal pin	Cut this jumper and mount resistors to find 16MHz crystal oscillator safety factor. The footprint is 0603 sized.
J501	LIN signal	Pull-up resistor to VS voltage	Mount this jumper (JS501) to set the LIN transceiver as Master node. Default setting in production is mounted.
J502	VS_LIN	VCC_TARGET_P3V3_P5V0	Mount this jumper (JS500) to power the LIN transceiver from VCC_TARGET_P3V3_P5V0. Remove this jumper when the LIN transceiver is powered from the LIN bus. Default setting in production is mounted.
J504	CAN0 device, Standby pin	GND	Cut this jumper to explore the standby functionality of the CAN 0 transceiver (ATA6561). The footprint is 0603 sized.
J506	CAN1 device, Standby pin	GND	Cut this jumper to explore the standby functionality of the CAN 1 transceiver (ATA6561). The footprint is 0603 sized.

Figure 4-5. Jumpers Top

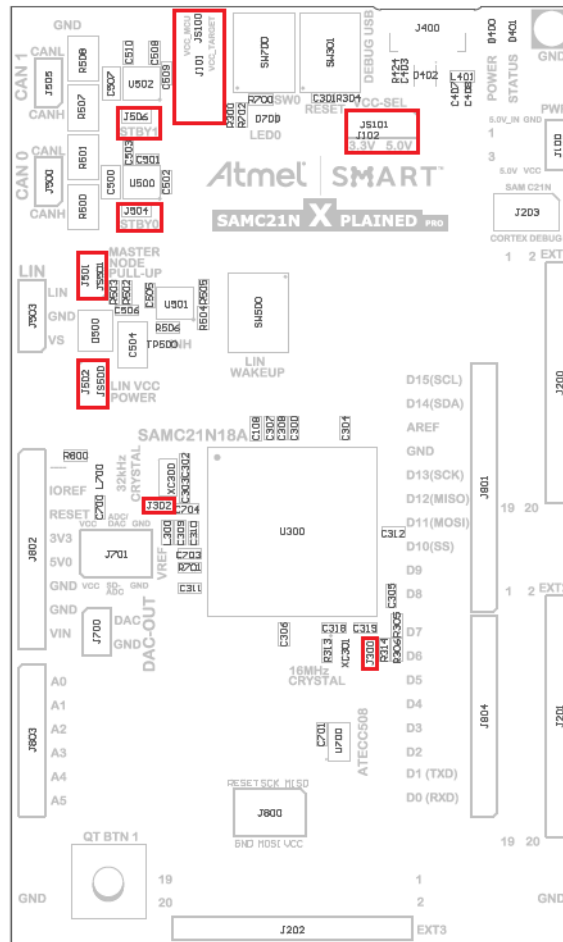
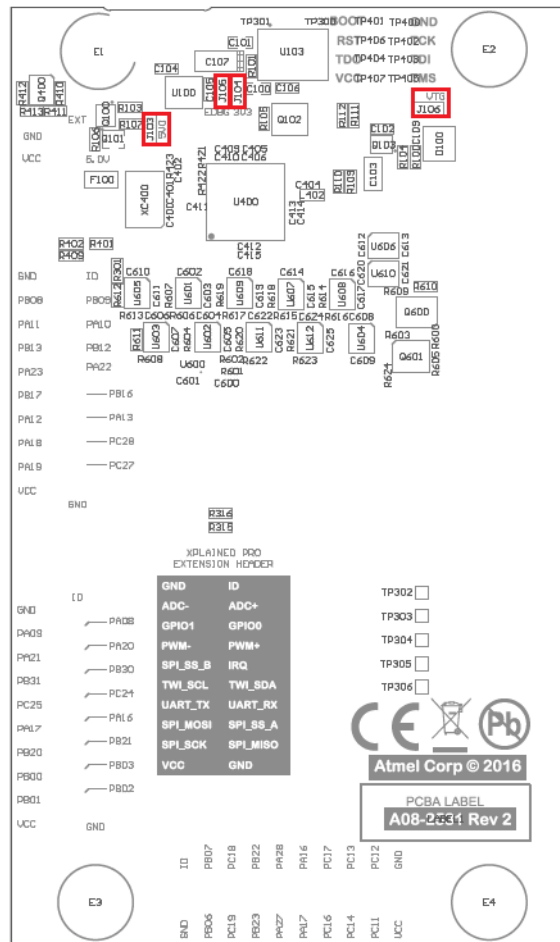


Figure 4-6. Jumpers Bottom



4.5 Embedded Debugger Implementation

SAMC21N Xplained Pro contains an Embedded Debugger (EDBG) that can be used to program and debug the ATSAMC21N18A using Serial Wire Debug (SWD). The Embedded Debugger also include a Virtual Com port interface over UART, an Atmel Data Gateway Interface over SPI, and TWI and it includes four of the SAMC21N GPIOs. Atmel Studio can be used as a front end for the Embedded Debugger.

4.5.1 Serial Wire Debug

The Serial Wire Debug (SWD) use two pins to communicate with the target. For further information on how to use the programming and debugging capabilities of the EDBG, see [Embedded Debugger](#).

Table 4-29. SWD Connections

SAMC21N pin	Function
PA30	SWCLK
PA31	SWDIO

4.5.2 Virtual COM Port

The Embedded Debugger acts as a Virtual Com Port gateway by using one of the ATSAMC21N18A UARTs. For further information on how to use the Virtual COM port, see [Embedded Debugger](#).

Table 4-30. Virtual COM Port Connections

SAMC21N pin	Function	Shared functionality
PB10	SERCOM4 PAD[2] UART TXD (SAMC21N TX line)	-
PB11	SERCOM4 PAD[3] UART RXD (SAMC21N RX line)	-

4.5.3 Atmel Data Gateway Interface

The Embedded Debugger features an Atmel Data Gateway Interface (DGI) by using either an SPI or I²C. The DGI can be used to send a variety of data from the ATSAMC21N18A to the host PC. For further information on how to use the DGI interface, see [Data Visualizer](#) and the [EDBG User Guide](#).

Table 4-31. DGI Interface Connections when using SPI

SAMC21N pin	Function	Shared functionality
PC09	SERCOM7 PAD[1] SPI SS (Slave select) (SAMC21N is Master)	-
PC12	SERCOM7 PAD[0] SPI MISO (Master In, Slave Out)	EXT3 , Shield , and Shield(2)
PC14	SERCOM7 PAD[2] SPI MOSI (Master Out, Slave In)	EXT3 , Shield , and Shield(2)
PC11	SERCOM7 PAD[3] SPI SCK (Clock Out)	EXT3 , Shield , and Shield(2)

Table 4-32. DGI Interface Connections when using I²C

SAMC21N pin	Function	Shared functionality
PA16	SERCOM1 PAD[0] I ² C SDA (Data line)	EXT2 , EXT3 , Shield , and Crypto Device
PA17	SERCOM1 PAD[1] I ² C SCL (Clock line)	EXT2 , EXT3 , Shield , and Crypto Device

Four GPIO lines are connected to the Embedded Debugger. The EDBG can monitor these lines and time stamp pin value changes. This makes it possible to accurately time stamp events in the SAMC21N application code. For further information on how to configure and use the GPIO monitoring features, see [Data Visualizer](#) and the [EDBG User Guide](#).

Table 4-33. GPIO Lines Connected to the EDBG

SAMC21N pin	Function	Shared functionality
PB12	DGI_GPIO0 or TC4/WO[0] or X[12]/Y[28]	EXT1
PA22	DGI_GPIO1 or TCC1/WO[0] or X[10]/Y[26]	EXT1

SAMC21N pin	Function	Shared functionality
PC24	DGI_GPIO2	EXT2
PA28	DGI_GPIO3 or EXTINT[8]	EXT3

5. Appendix

5.1 Getting Started with IAR

IAR Embedded Workbench® for ARM® is a proprietary high efficiency compiler not based on GCC. Programming and debugging of Xplained Pro kits are supported in IAR™ Embedded Workbench for ARM using the common CMSIS-DAP interface. Some initial settings have to be set up in the project to get the programming and debugging to work.

The following steps will explain how to get your project ready for programming and debugging:

1. Make sure you have opened the project you want to configure. Open the **OPTIONS** dialog for the project.
2. In the category **General Options**, select the **Target** tab. [Select the device for the project or, if not listed, the core of the device.](#)
3. In the category **Debugger**, select the **Setup** tab. [Select **CMSIS DAP** as the driver.](#)
4. In the category **Debugger**, select the **Download** tab. [Check the check box for **Use flash loader\(s\)** option.](#)
5. In the category **Debugger > CMSIS DAP**, select the **Setup** tab. [Select **System \(default\)** as the reset method.](#)
6. In the category **Debugger > CMSIS DAP**, select the **JTAG/SWD** tab. [Select **SWD** as the interface and optionally select the **SWD speed**.](#)

Figure 5-1. Select Target Device

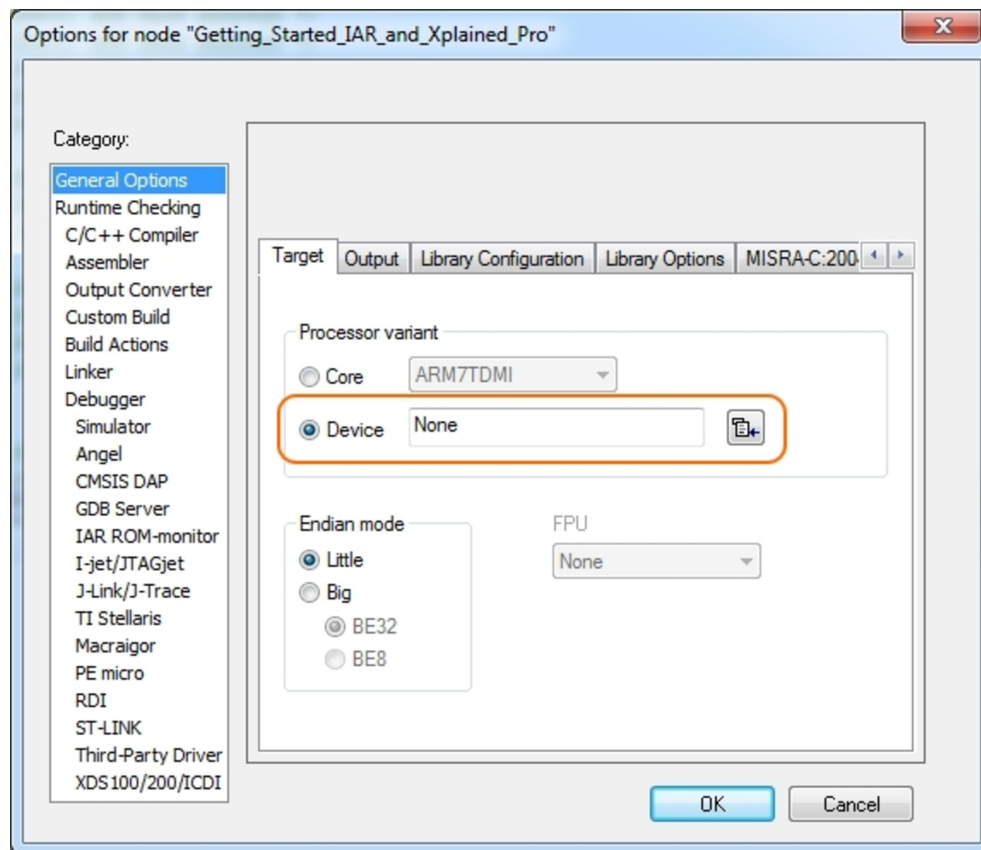


Figure 5-2. Select Debugger

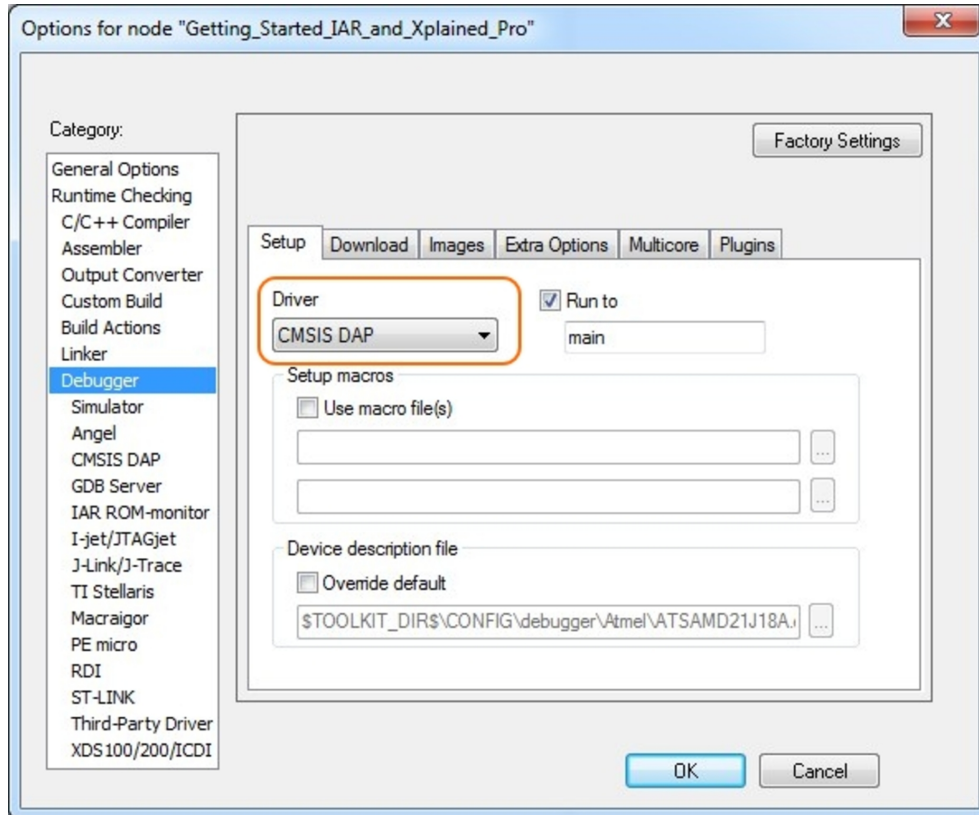


Figure 5-3. Configure Flash Loader

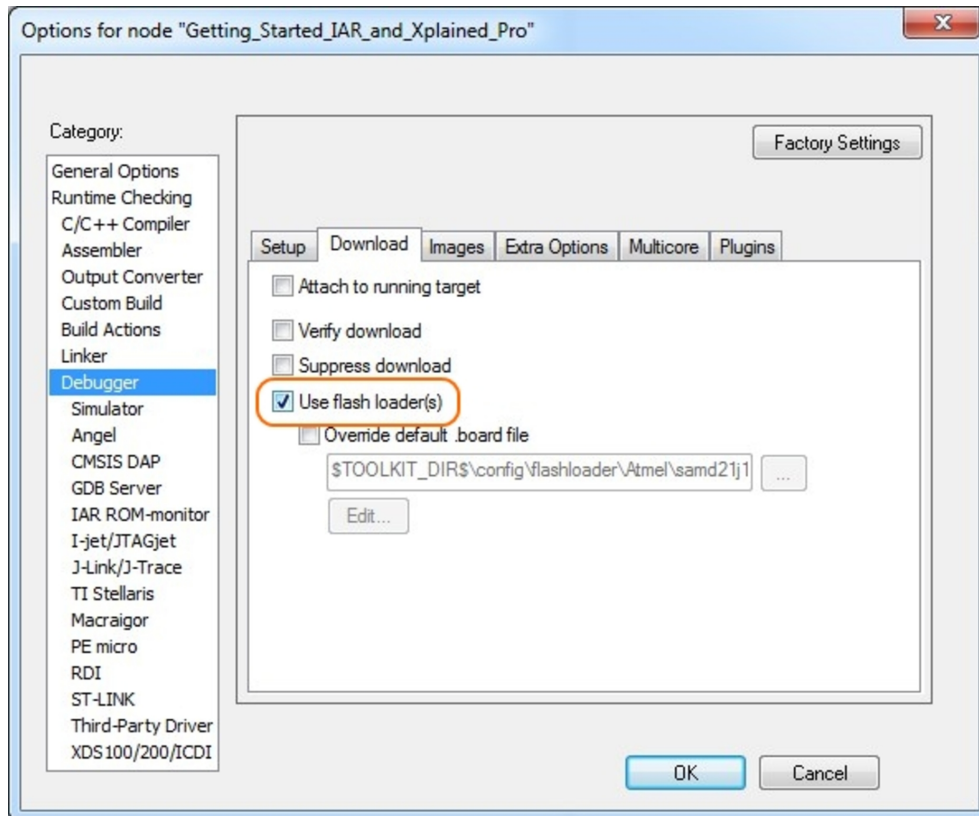


Figure 5-4. Configure Reset

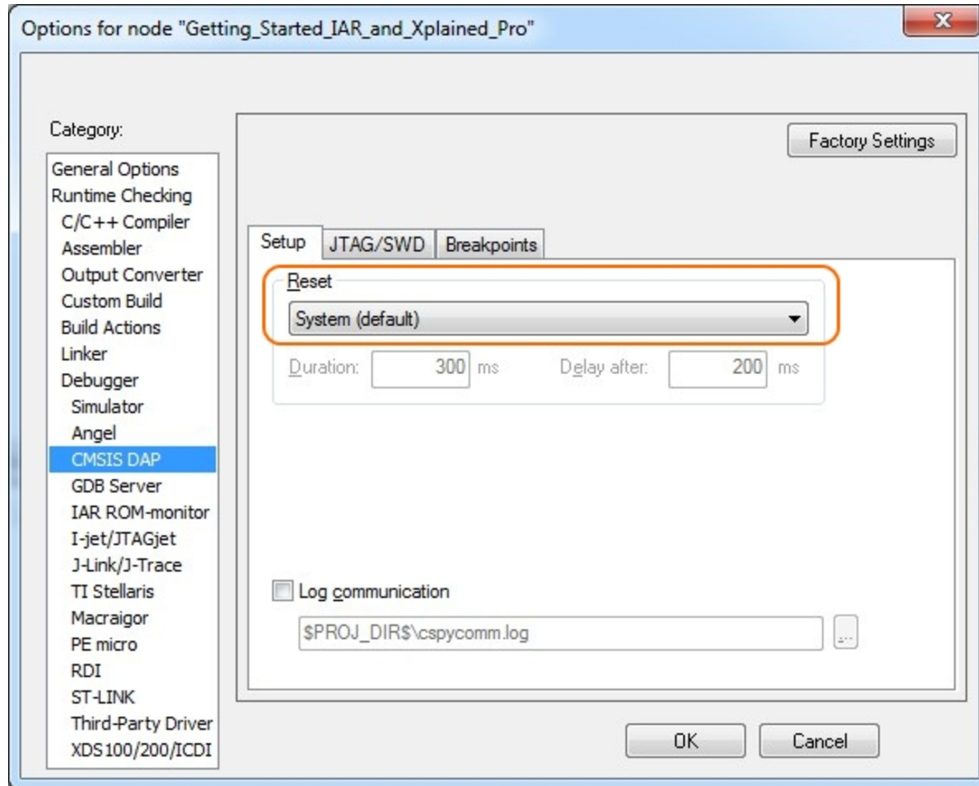
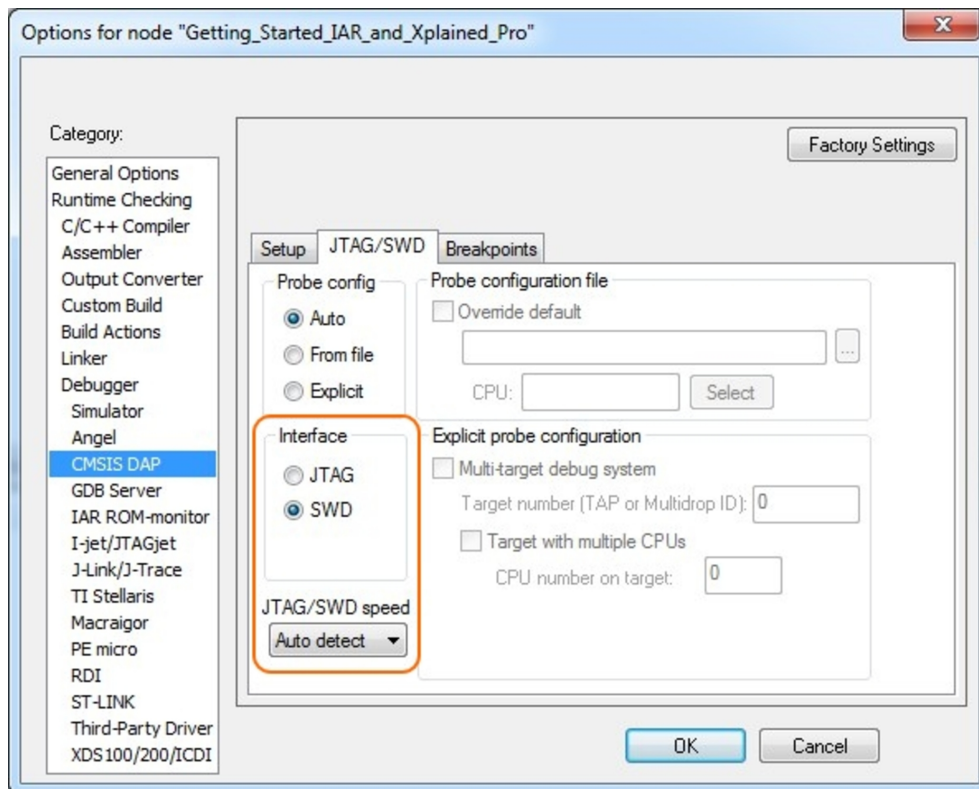


Figure 5-5. Configure Interface



5.2 Connecting a SAM-ICE to an Xplained Pro Board

Xplained Pro kits featuring a 10-pin 50mil debug connector can use external debug tools like SAM-ICE™ or Atmel-ICE instead of the built-in EDBG. Devices using SWD interface on-board will have a connector with the pinout compatible with the [Cortex Debug Connector](#).

You can connect the SAM-ICE to the debug connector on an Xplained Pro using either an Atmel-ICE adapter, SAM-ICE adapter, or a 10-pin 50-mil header to squid cable. When using a squid cable, see the table and figures below for how to connect the SAM-ICE to the Xplained Pro board.

Table 5-1. Squid Cable Connections

Squid Cable pin	SAM-ICE pin
1 (VCC)	1 (VTref)
2 (SWDIO/TMS)	7 (TMS)
3 (GND)	4 (GND)
4 (SWCLK/TCK)	9 (TCK)
5 (GND)	6 (GND)
6 (SWO/TDO)	13 (TDO) ⁽¹⁾
7 (Not used)	
8 (Not used)	
9 (Not used)	
10 (RESET)	15 (RESET)

Note:

1. Optional, if the device has this functionality.

Figure 5-6. SAM-ICE using a Squid Cable



Figure 5-7. SAM-ICE using an Atmel-ICE Adapter



Important:

If contention with the on-board EDBG occur, power the Xplained Pro board from another input like the external power header or from the target USB. Physically removing the connection between the EDBG and the debug header by removing 0Ω resistors, where available, or cutting the tracks to the EDBG can also be done.

6. Hardware Revision History and Known Issues

6.1 Identifying Product ID and Revision

The revision and product identifier of Xplained Pro boards can be found in two ways; either through Atmel Studio or by looking at the sticker on the bottom side of the PCB.

By connecting an Xplained Pro MCU board to a computer with Atmel Studio running, an information window will pop up. The first six digits of the serial number, which is listed under kit details, contain the product identifier and revision. Information about connected Xplained Pro extension boards will also appear in the Atmel Kit's window.

The same information can be found on the sticker on the bottom side of the PCB. Most kits will print the identifier and revision in plain text as A09-nnnnrr, where nnnn is the identifier and rr is the revision. Boards with limited space have a sticker with only a QR-code, which contains a serial number string.

The serial number string has the following format:

```
"nnnnrrssssssss"
```

```
n = product identifier
```

```
r = revision
```

```
s = serial number
```

The product identifier for SAMC21N Xplained Pro is A09-2682.

6.2 Revision

Revision 4 is the initial released revision for the SAMC21N Xplained Pro. There are no known issues.

7. Document Revision History

Revision	Date	Comment
A	05/2017	Initial document release.

The Microchip Web Site

Microchip provides online support via our web site at <http://www.microchip.com/>. This web site is used as a means to make files and information easily available to customers. Accessible by using your favorite Internet browser, the web site contains the following information:

- **Product Support** – Data sheets and errata, application notes and sample programs, design resources, user's guides and hardware support documents, latest software releases and archived software
- **General Technical Support** – Frequently Asked Questions (FAQ), technical support requests, online discussion groups, Microchip consultant program member listing
- **Business of Microchip** – Product selector and ordering guides, latest Microchip press releases, listing of seminars and events, listings of Microchip sales offices, distributors and factory representatives

Customer Change Notification Service

Microchip's customer notification service helps keep customers current on Microchip products. Subscribers will receive e-mail notification whenever there are changes, updates, revisions or errata related to a specified product family or development tool of interest.

To register, access the Microchip web site at <http://www.microchip.com/>. Under "Support", click on "Customer Change Notification" and follow the registration instructions.

Customer Support

Users of Microchip products can receive assistance through several channels:

- Distributor or Representative
- Local Sales Office
- Field Application Engineer (FAE)
- Technical Support

Customers should contact their distributor, representative or Field Application Engineer (FAE) for support. Local sales offices are also available to help customers. A listing of sales offices and locations is included in the back of this document.

Technical support is available through the web site at: <http://www.microchip.com/support>

Microchip Devices Code Protection Feature

Note the following details of the code protection feature on Microchip devices:

- Microchip products meet the specification contained in their particular Microchip Data Sheet.
- Microchip believes that its family of products is one of the most secure families of its kind on the market today, when used in the intended manner and under normal conditions.
- There are dishonest and possibly illegal methods used to breach the code protection feature. All of these methods, to our knowledge, require using the Microchip products in a manner outside the operating specifications contained in Microchip's Data Sheets. Most likely, the person doing so is engaged in theft of intellectual property.
- Microchip is willing to work with the customer who is concerned about the integrity of their code.

- Neither Microchip nor any other semiconductor manufacturer can guarantee the security of their code. Code protection does not mean that we are guaranteeing the product as “unbreakable.”

Code protection is constantly evolving. We at Microchip are committed to continuously improving the code protection features of our products. Attempts to break Microchip’s code protection feature may be a violation of the Digital Millennium Copyright Act. If such acts allow unauthorized access to your software or other copyrighted work, you may have a right to sue for relief under that Act.

Legal Notice

Information contained in this publication regarding device applications and the like is provided only for your convenience and may be superseded by updates. It is your responsibility to ensure that your application meets with your specifications. MICROCHIP MAKES NO REPRESENTATIONS OR WARRANTIES OF ANY KIND WHETHER EXPRESS OR IMPLIED, WRITTEN OR ORAL, STATUTORY OR OTHERWISE, RELATED TO THE INFORMATION, INCLUDING BUT NOT LIMITED TO ITS CONDITION, QUALITY, PERFORMANCE, MERCHANTABILITY OR FITNESS FOR PURPOSE. Microchip disclaims all liability arising from this information and its use. Use of Microchip devices in life support and/or safety applications is entirely at the buyer’s risk, and the buyer agrees to defend, indemnify and hold harmless Microchip from any and all damages, claims, suits, or expenses resulting from such use. No licenses are conveyed, implicitly or otherwise, under any Microchip intellectual property rights unless otherwise stated.

Trademarks

The Microchip name and logo, the Microchip logo, AnyRate, AVR, AVR logo, AVR Freaks, BeaconThings, BitCloud, CryptoMemory, CryptoRF, dsPIC, FlashFlex, flexPWR, Heldo, JukeBlox, KeeLoq, KeeLoq logo, Klear, LANCheck, LINK MD, maXStylus, maXTouch, MediaLB, megaAVR, MOST, MOST logo, MPLAB, OptoLyzer, PIC, picoPower, PICSTART, PIC32 logo, Prochip Designer, QTouch, RightTouch, SAM-BA, SpyNIC, SST, SST Logo, SuperFlash, tinyAVR, UNI/O, and XMEGA are registered trademarks of Microchip Technology Incorporated in the U.S.A. and other countries.

ClockWorks, The Embedded Control Solutions Company, EtherSynch, Hyper Speed Control, HyperLight Load, IntelliMOS, mTouch, Precision Edge, and Quiet-Wire are registered trademarks of Microchip Technology Incorporated in the U.S.A.

Adjacent Key Suppression, AKS, Analog-for-the-Digital Age, Any Capacitor, AnyIn, AnyOut, BodyCom, chipKIT, chipKIT logo, CodeGuard, CryptoAuthentication, CryptoCompanion, CryptoController, dsPICDEM, dsPICDEM.net, Dynamic Average Matching, DAM, ECAN, EtherGREEN, In-Circuit Serial Programming, ICSP, Inter-Chip Connectivity, JitterBlocker, KlearNet, KlearNet logo, Mindi, MiWi, motorBench, MPASM, MPF, MPLAB Certified logo, MPLIB, MPLINK, MultiTRAK, NetDetach, Omniscient Code Generation, PICDEM, PICDEM.net, PICKit, PICtail, PureSilicon, QMatrix, RightTouch logo, REAL ICE, Ripple Blocker, SAM-ICE, Serial Quad I/O, SMART-I.S., SQI, SuperSwitcher, SuperSwitcher II, Total Endurance, TSHARC, USBCheck, VariSense, ViewSpan, WiperLock, Wireless DNA, and ZENA are trademarks of Microchip Technology Incorporated in the U.S.A. and other countries.

SQTP is a service mark of Microchip Technology Incorporated in the U.S.A.

Silicon Storage Technology is a registered trademark of Microchip Technology Inc. in other countries.

GestIC is a registered trademark of Microchip Technology Germany II GmbH & Co. KG, a subsidiary of Microchip Technology Inc., in other countries.

All other trademarks mentioned herein are property of their respective companies.

© 2017, Microchip Technology Incorporated, Printed in the U.S.A., All Rights Reserved.

ISBN: 978-1-5224-1778-1

Quality Management System Certified by DNV

ISO/TS 16949

Microchip received ISO/TS-16949:2009 certification for its worldwide headquarters, design and wafer fabrication facilities in Chandler and Tempe, Arizona; Gresham, Oregon and design centers in California and India. The Company's quality system processes and procedures are for its PIC[®] MCUs and dsPIC[®] DSCs, KEELOQ[®] code hopping devices, Serial EEPROMs, microperipherals, nonvolatile memory and analog products. In addition, Microchip's quality system for the design and manufacture of development systems is ISO 9001:2000 certified.

Worldwide Sales and Service

AMERICAS	ASIA/PACIFIC	ASIA/PACIFIC	EUROPE
<p>Corporate Office 2355 West Chandler Blvd. Chandler, AZ 85224-6199 Tel: 480-792-7200 Fax: 480-792-7277 Technical Support: http://www.microchip.com/support Web Address: www.microchip.com</p> <p>Atlanta Duluth, GA Tel: 678-957-9614 Fax: 678-957-1455</p> <p>Austin, TX Tel: 512-257-3370</p> <p>Boston Westborough, MA Tel: 774-760-0087 Fax: 774-760-0088</p> <p>Chicago Itasca, IL Tel: 630-285-0071 Fax: 630-285-0075</p> <p>Dallas Addison, TX Tel: 972-818-7423 Fax: 972-818-2924</p> <p>Detroit Novi, MI Tel: 248-848-4000</p> <p>Houston, TX Tel: 281-894-5983</p> <p>Indianapolis Noblesville, IN Tel: 317-773-8323 Fax: 317-773-5453 Tel: 317-536-2380</p> <p>Los Angeles Mission Viejo, CA Tel: 949-462-9523 Fax: 949-462-9608 Tel: 951-273-7800</p> <p>Raleigh, NC Tel: 919-844-7510</p> <p>New York, NY Tel: 631-435-6000</p> <p>San Jose, CA Tel: 408-735-9110 Tel: 408-436-4270</p> <p>Canada - Toronto Tel: 905-695-1980 Fax: 905-695-2078</p>	<p>Asia Pacific Office Suites 3707-14, 37th Floor Tower 6, The Gateway Harbour City, Kowloon</p> <p>Hong Kong Tel: 852-2943-5100 Fax: 852-2401-3431</p> <p>Australia - Sydney Tel: 61-2-9868-6733 Fax: 61-2-9868-6755</p> <p>China - Beijing Tel: 86-10-8569-7000 Fax: 86-10-8528-2104</p> <p>China - Chengdu Tel: 86-28-8665-5511 Fax: 86-28-8665-7889</p> <p>China - Chongqing Tel: 86-23-8980-9588 Fax: 86-23-8980-9500</p> <p>China - Dongguan Tel: 86-769-8702-9880</p> <p>China - Guangzhou Tel: 86-20-8755-8029</p> <p>China - Hangzhou Tel: 86-571-8792-8115 Fax: 86-571-8792-8116</p> <p>China - Hong Kong SAR Tel: 852-2943-5100 Fax: 852-2401-3431</p> <p>China - Nanjing Tel: 86-25-8473-2460 Fax: 86-25-8473-2470</p> <p>China - Qingdao Tel: 86-532-8502-7355 Fax: 86-532-8502-7205</p> <p>China - Shanghai Tel: 86-21-3326-8000 Fax: 86-21-3326-8021</p> <p>China - Shenyang Tel: 86-24-2334-2829 Fax: 86-24-2334-2393</p> <p>China - Shenzhen Tel: 86-755-8864-2200 Fax: 86-755-8203-1760</p> <p>China - Wuhan Tel: 86-27-5980-5300 Fax: 86-27-5980-5118</p> <p>China - Xian Tel: 86-29-8833-7252 Fax: 86-29-8833-7256</p>	<p>China - Xiamen Tel: 86-592-2388138 Fax: 86-592-2388130</p> <p>China - Zhuhai Tel: 86-756-3210040 Fax: 86-756-3210049</p> <p>India - Bangalore Tel: 91-80-3090-4444 Fax: 91-80-3090-4123</p> <p>India - New Delhi Tel: 91-11-4160-8631 Fax: 91-11-4160-8632</p> <p>India - Pune Tel: 91-20-3019-1500</p> <p>Japan - Osaka Tel: 81-6-6152-7160 Fax: 81-6-6152-9310</p> <p>Japan - Tokyo Tel: 81-3-6880-3770 Fax: 81-3-6880-3771</p> <p>Korea - Daegu Tel: 82-53-744-4301 Fax: 82-53-744-4302</p> <p>Korea - Seoul Tel: 82-2-554-7200 Fax: 82-2-558-5932 or 82-2-558-5934</p> <p>Malaysia - Kuala Lumpur Tel: 60-3-6201-9857 Fax: 60-3-6201-9859</p> <p>Malaysia - Penang Tel: 60-4-227-8870 Fax: 60-4-227-4068</p> <p>Philippines - Manila Tel: 63-2-634-9065 Fax: 63-2-634-9069</p> <p>Singapore Tel: 65-6334-8870 Fax: 65-6334-8850</p> <p>Taiwan - Hsin Chu Tel: 886-3-5778-366 Fax: 886-3-5770-955</p> <p>Taiwan - Kaohsiung Tel: 886-7-213-7830</p> <p>Taiwan - Taipei Tel: 886-2-2508-8600 Fax: 886-2-2508-0102</p> <p>Thailand - Bangkok Tel: 66-2-694-1351 Fax: 66-2-694-1350</p>	<p>Austria - Wels Tel: 43-7242-2244-39 Fax: 43-7242-2244-393</p> <p>Denmark - Copenhagen Tel: 45-4450-2828 Fax: 45-4485-2829</p> <p>Finland - Espoo Tel: 358-9-4520-820</p> <p>France - Paris Tel: 33-1-69-53-63-20 Fax: 33-1-69-30-90-79</p> <p>France - Saint Cloud Tel: 33-1-30-60-70-00</p> <p>Germany - Garching Tel: 49-8931-9700</p> <p>Germany - Haan Tel: 49-2129-3766400</p> <p>Germany - Heilbronn Tel: 49-7131-67-3636</p> <p>Germany - Karlsruhe Tel: 49-721-625370</p> <p>Germany - Munich Tel: 49-89-627-144-0 Fax: 49-89-627-144-44</p> <p>Germany - Rosenheim Tel: 49-8031-354-560</p> <p>Israel - Ra'anana Tel: 972-9-744-7705</p> <p>Italy - Milan Tel: 39-0331-742611 Fax: 39-0331-466781</p> <p>Italy - Padova Tel: 39-049-7625286</p> <p>Netherlands - Druenen Tel: 31-416-690399 Fax: 31-416-690340</p> <p>Norway - Trondheim Tel: 47-7289-7561</p> <p>Poland - Warsaw Tel: 48-22-3325737</p> <p>Romania - Bucharest Tel: 40-21-407-87-50</p> <p>Spain - Madrid Tel: 34-91-708-08-90 Fax: 34-91-708-08-91</p> <p>Sweden - Gothenburg Tel: 46-31-704-60-40</p> <p>Sweden - Stockholm Tel: 46-8-5090-4654</p> <p>UK - Wokingham Tel: 44-118-921-5800 Fax: 44-118-921-5820</p>

X-ON Electronics

Largest Supplier of Electrical and Electronic Components

Click to view similar products for [Development Boards & Kits - ARM category](#):

Click to view products by [Microchip manufacturer](#):

Other Similar products are found below :

[SAFETI-HSK-RM48](#) [PICOHOBBITFL](#) [CC-ACC-MMK-2443](#) [EVALSPEAR320CPU](#) [TMDX570LS04HDK](#) [TXSD-SV70](#) [TXSD-SV71](#)
[YGRPEACHNORMAL](#) [PICODWARFFL](#) [YR8A77450HA02BG](#) [3580](#) [32F3348DISCOVERY](#) [ATTINY1607](#) [CURIOSITY NANO](#)
[PIC16F15376](#) [CURIOSITY NANO BOARD](#) [PIC18F47Q10](#) [CURIOSITY NANO](#) [VISIONSTK-6ULL V.2.0](#) [80-001428](#) [DEV-17717](#)
[EAK00360](#) [YR0K77210B000BE](#) [RTK7EKA2L1S00001BE](#) [SLN-VIZN-IOT](#) [LV18F V6 DEVELOPMENT SYSTEM](#) [READY FOR AVR](#)
[BOARD](#) [READY FOR PIC BOARD](#) [READY FOR PIC \(DIP28\)](#) [AVRPLC16 V6 PLC SYSTEM](#) [MIKROLAB FOR AVR XL](#) [MIKROLAB](#)
[FOR PIC L](#) [MINI-AT BOARD - 5V](#) [MINI-M4 FOR STELLARIS](#) [MOD-09.Z](#) [BUGGY + CLICKER 2 FOR PIC32MX + BLUETOOT](#) [1410](#)
[LETS MAKE PROJECT PROGRAM. RELAY PIC](#) [LETS MAKE - VOICE CONTROLLED LIGHTS](#) [LPC-H2294](#) [DSPIC-READY2 BOARD](#)
[DSPIC-READY3 BOARD](#) [MIKROBOARD FOR ARM 64-PIN](#) [MIKROLAB FOR AVR](#) [MIKROLAB FOR AVR L](#) [MIKROLAB FOR](#)
[DSPIC](#) [MIKROLAB FOR DSPIC XL](#) [MIKROLAB FOR PIC32](#) [MIKROLAB FOR TIVA](#) [EASYAVR V7](#) [EASYMX PRO FOR TIVA C](#)
[SERIES](#) [EASYMX PRO V7 FOR STM32](#) [EASYPIC FUSION V7](#)