

Bluetooth® 4.2 Stereo Audio Module

Features

- Qualified for Bluetooth v4.2 specifications
- Worldwide regulatory certifications are planned
- Supports HFP 1.6, HSP 1.2, A2DP 1.3, SPP 1.2, AVRCP 1.6
- Supports Bluetooth (BR/EDR/BLE) specifications (FW dependent)
- Stand-alone module with onboard antenna and Bluetooth stack
- Supports high resolution 24-bit, 96 kHz audio data format
- Supports to connect two hosts with HFP or A2DP profiles simultaneously
- Transparent UART mode for seamless serial data over UART interface
- Easy to configure with Windows GUI or directly by MCU
- Supports firmware field upgrade
- Supports 2-Microphone (BM62) and 1-Microphone (BM64)
- Compact surface mount module:
 - BM62: 29 mm x 15 mm x 2.5 mm
 - BM64: 32 mm x 15 mm x 2.5 mm
- Castellated surface mount pads for easy and reliable host PCB mounting
- RoHS compliant
- Ideal for portable battery operated devices
- Internal battery regulator circuitry

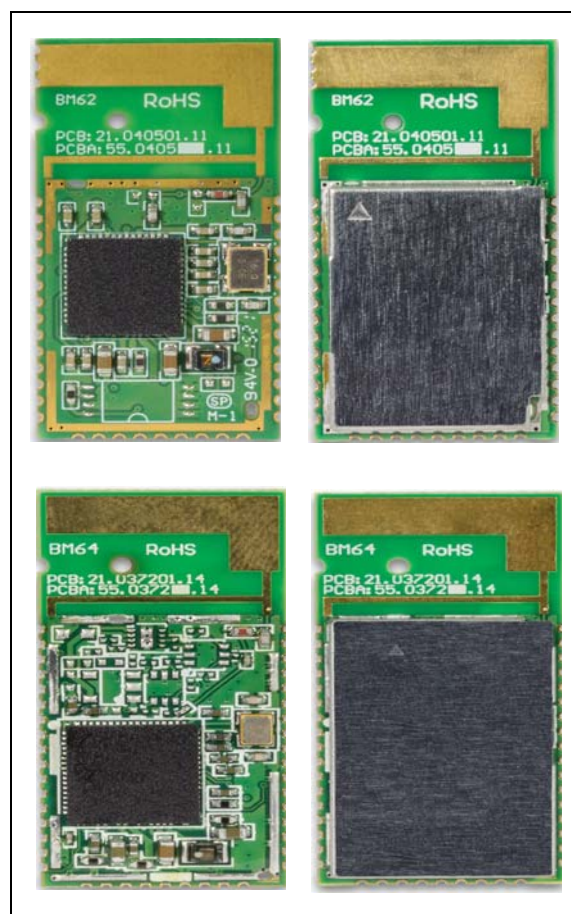
RF/Analog

- Frequency spectrum: 2.402 GHz to 2.480 GHz
- Receive sensitivity: -90 dBm (2 Mbps EDR)
- Class 2 output power (+2 dBm typical) for BM62, BM64 and Class 1 output power (+15 dBm typical) for BM64

DSP Audio Processing

- Supports 64 kb/s A-Law, μ -Law PCM format, or Continuous Variable Slope Delta (CVSD) modulation for SCO channel operation
- Support 8 kHz or 16 kHz noise suppression
- Support 8 kHz or 16 kHz echo cancellation
- SBC and optional AAC decoding
- Packet loss concealment (PLC)
- Support Serial Copy Management System (SCMS-T) content protection

FIGURE 1: BM62 AND BM64 MODULES



BM62/64

Audio Codec

- SBC and optional AAC decoding
- 20-bit digital-to-analog (DAC) with 96 dB SNR
- 16-bit analog-to-digital (ADC) with 90 dB SNR
- Up to 24-bit or 96 kHz on I²S digital audio

Peripherals

- Built-in lithium ion and lithium polymer battery charger (upto 350 mA)
- Integrated 3V and 1.8V configurable switching regulator and low-dropout (LDO)
- Built-in ADC for battery monitoring and voltage sense
- Built-in ADC for charger thermal protection
- Built-in under voltage protection (UVP)
- An aux-in port for external audio input
- Two LED drivers
- Multiple I/O pins for control and status

HCI Interface

- High-speed HCI-UART interface (supports up to 921,600 bps)

MAC/Baseband Processor

- Supports Bluetooth Low Energy (BLE) (FW dependent)
 - Generic Access Service
 - Device Information Service
 - Proprietary Service for data communication
 - Apple Notification Center Service (ANCS)

Operating Condition

- Operating voltage: 3.2V to 4.2V
- Operating temperature: -20°C to +70°C

Compliance

- Bluetooth SIG QDID: XXXXXX
- Certified for the United States (FCC) and Canada (IC), European Economic Area (CE), Korea (KCC), Taiwan (NCC) and Japan (JRF)

Applications

- Soundbar and Wireless Subwoofer
- Bluetooth speaker
- Multi speaker

Description

The BM62/64 Bluetooth Stereo Audio module is a fully qualified Bluetooth version 4.2 (BDR/EDR/BLE) module for designers to add Bluetooth wireless audio and voice applications to their products. The BM62/64 is a Bluetooth Special Interest Group (SIG) certified module that provides a complete wireless solution with Bluetooth stack, integrated antenna, and worldwide radio certifications in a compact surface mount package.

The BM62/64 module has several SKUs. The BM62 module is a Class 2 device, whereas BM64 is available in both Class 2 and Class 1 versions.

The BM62/64 module has an integrated lithium-ion and lithium-polymer battery charger and a digital audio interface. It supports HSP, HFP, SPP, A2DP, and AVRCP profiles and both AAC and SBC codecs are supported.

[Table 1](#) provides ordering information for the BM62 and BM64 Bluetooth 4.2 Stereo Audio modules.

TABLE 1: ORDERING INFORMATION

Device	IC	Description	Shield	Ordering No.
BM62	IS2062GM	Bluetooth 4.2 Stereo Audio Module, Class2 with RF shield	Yes	BM62SPKS1MC2
BM62	IS2062GM	Bluetooth 4.2 Stereo Audio Module, Class2 without RF shield	No	BM62SPKA1MC2
BM64	IS2064GM	Bluetooth 4.2 Stereo Audio Module, Class2 with RF shield	Yes	BM64SPKS1MC2
BM64	IS2064GM	Bluetooth 4.2 Stereo Audio Module, Class2 without RF shield	No	BM64SPKA1MC2
BM64	IS2064GM	Bluetooth 4.2 Stereo Audio Module, Class1 with RF shield	Yes	BM64SPKS1MC1
BM64	IS2064GM	Bluetooth 4.2 Stereo Audio Module, Class1 without RF shield	No	BM64SPKA1MC1

The examples of typical application connections using the BM62 and BM64 modules are shown in [Figure 2](#) through [Figure 4](#).

[Figure 5](#) and [Figure 6](#) illustrate the PCB dimensions of the BM62 and BM64 modules.

FIGURE 2: APPLICATION USING BM62 MODULE

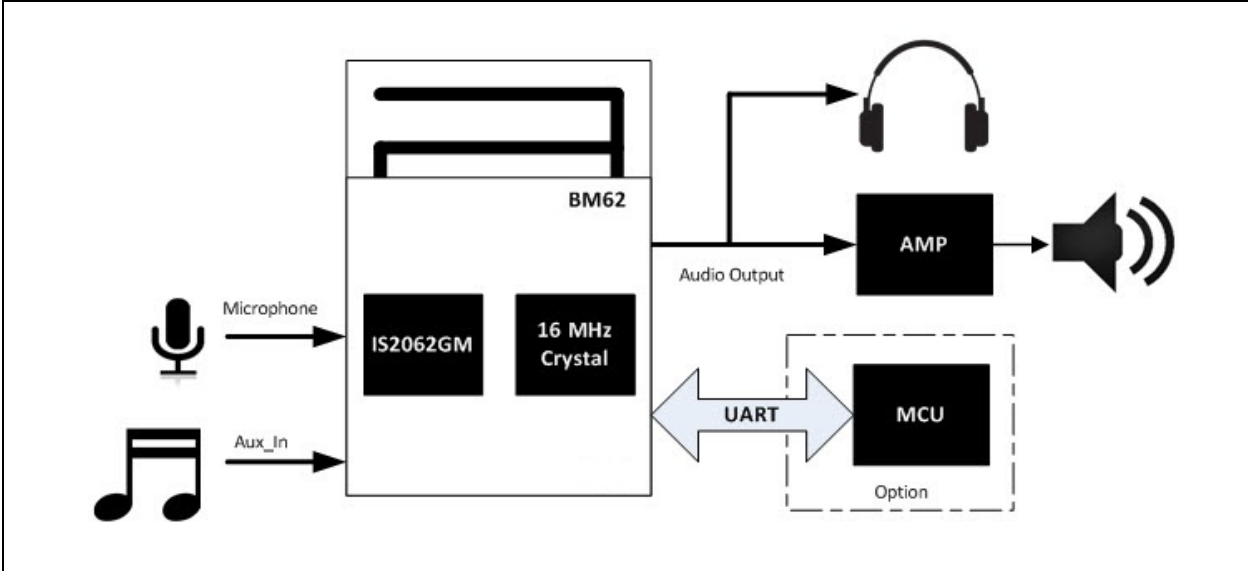
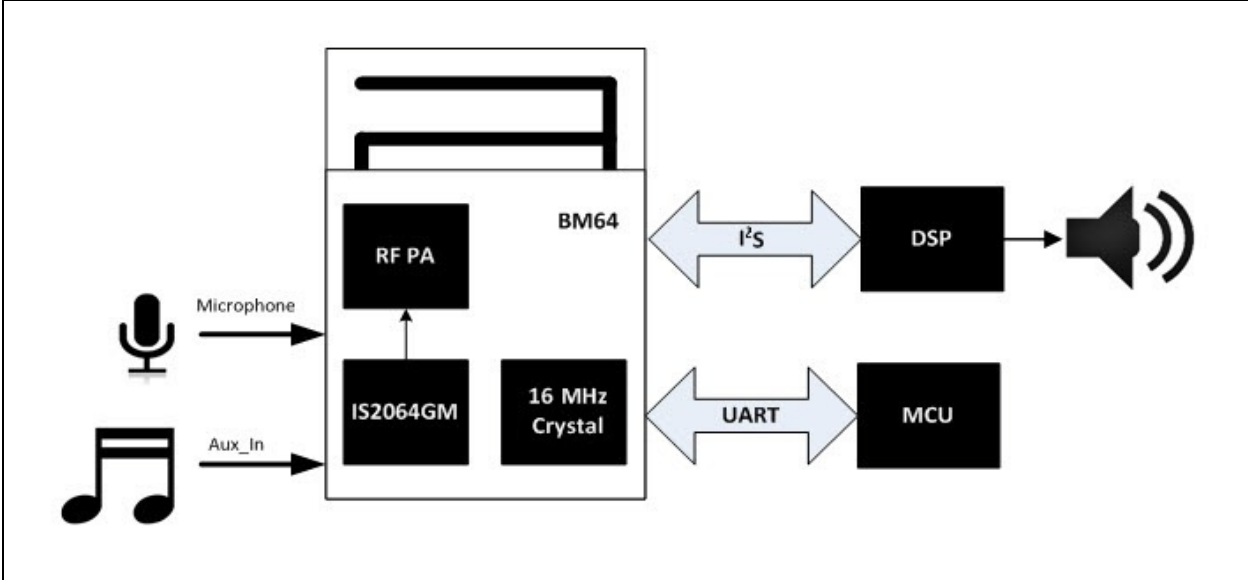


FIGURE 3: APPLICATION USING BM64 MODULE



BM62/64

FIGURE 4: SOUNDBAR AND SUBWOOFER APPLICATION USING BM64 MODULE

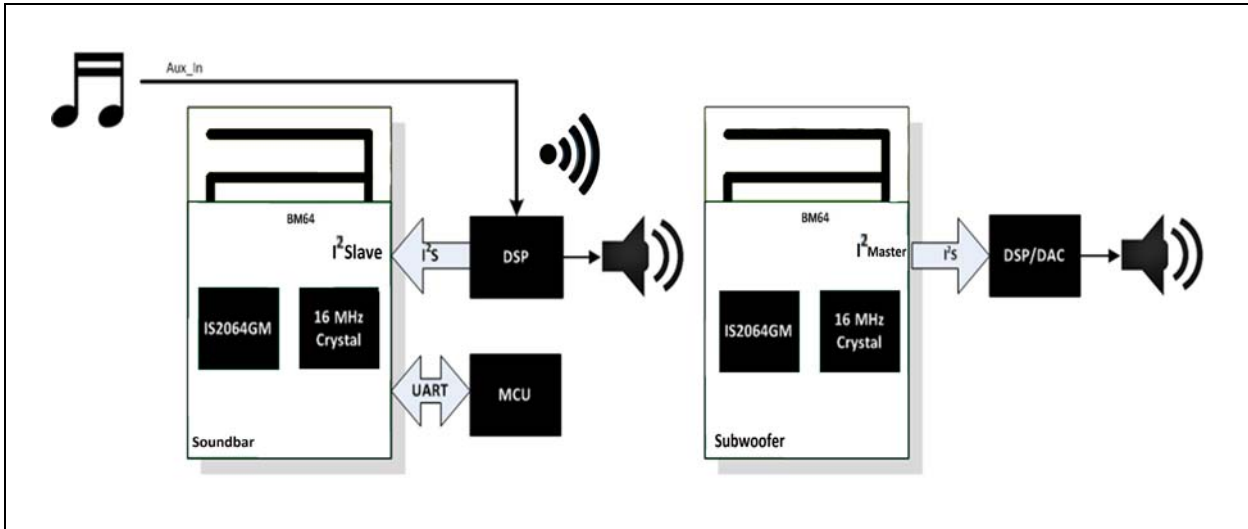
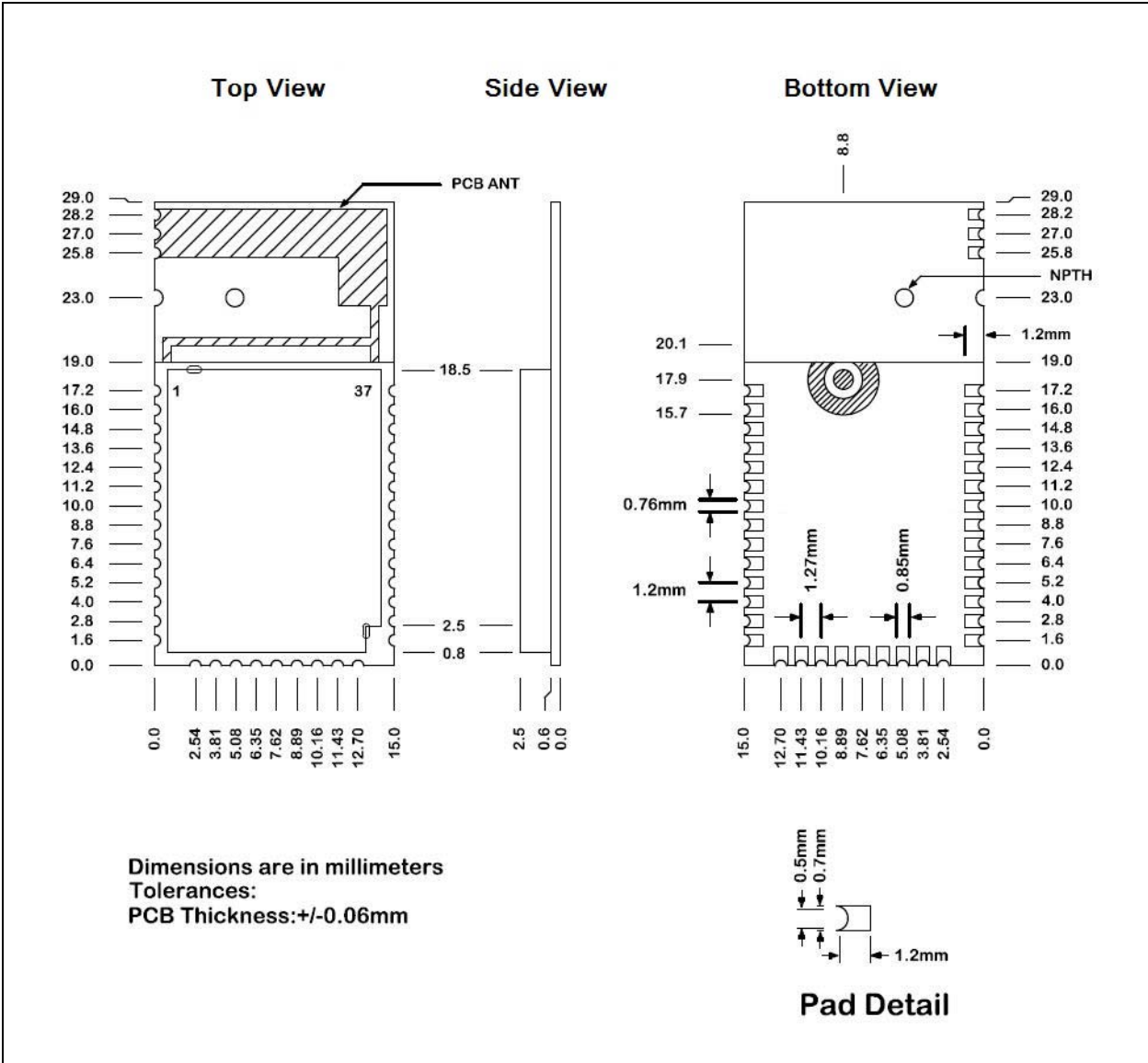
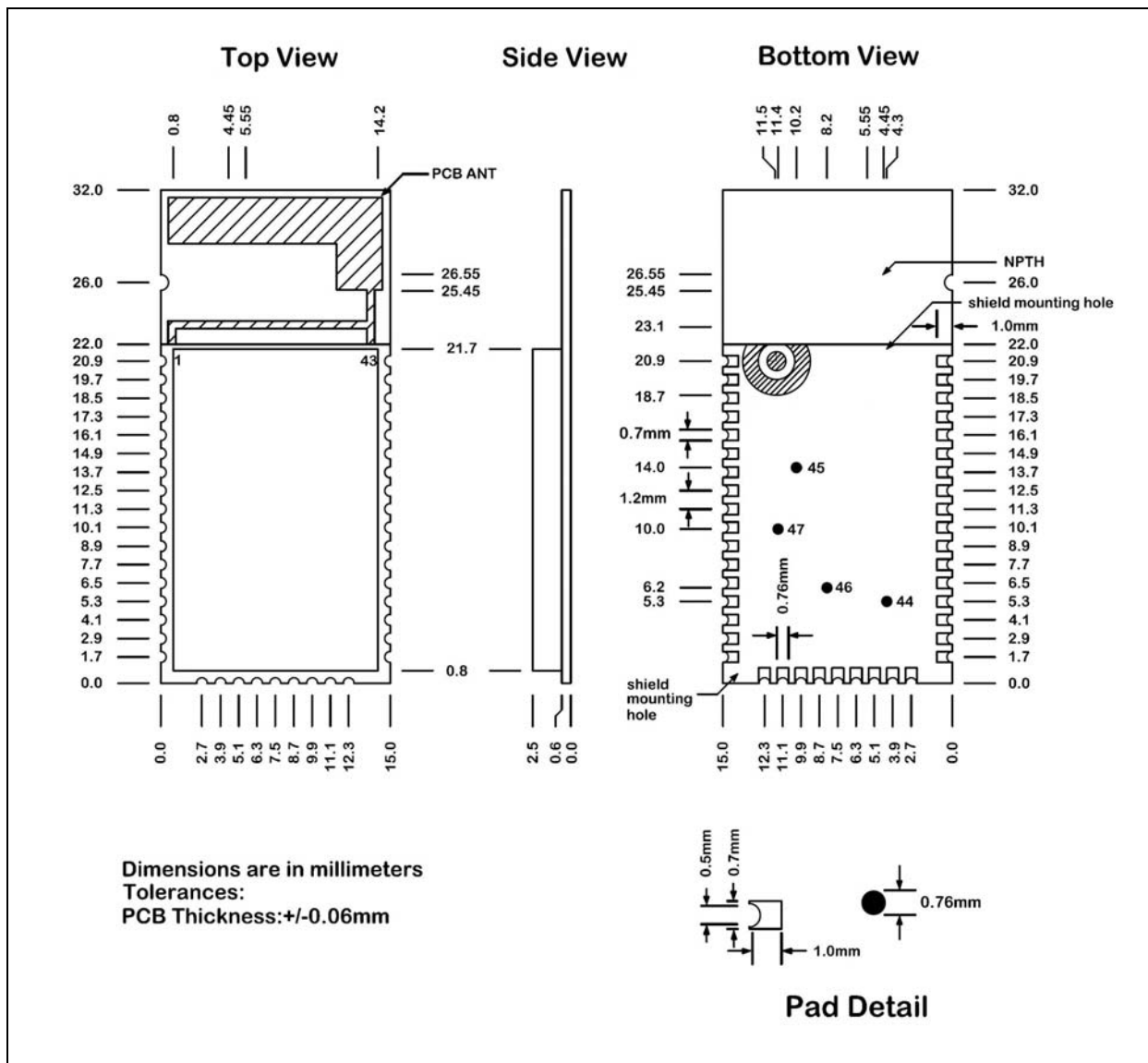


FIGURE 5: BM62 PCB DIMENSION



BM62/64

FIGURE 6: BM64 PCB DIMENSION



Note the following details of the code protection feature on Microchip devices:

- Microchip products meet the specification contained in their particular Microchip Data Sheet.
- Microchip believes that its family of products is one of the most secure families of its kind on the market today, when used in the intended manner and under normal conditions.
- There are dishonest and possibly illegal methods used to breach the code protection feature. All of these methods, to our knowledge, require using the Microchip products in a manner outside the operating specifications contained in Microchip's Data Sheets. Most likely, the person doing so is engaged in theft of intellectual property.
- Microchip is willing to work with the customer who is concerned about the integrity of their code.
- Neither Microchip nor any other semiconductor manufacturer can guarantee the security of their code. Code protection does not mean that we are guaranteeing the product as "unbreakable."

Code protection is constantly evolving. We at Microchip are committed to continuously improving the code protection features of our products. Attempts to break Microchip's code protection feature may be a violation of the Digital Millennium Copyright Act. If such acts allow unauthorized access to your software or other copyrighted work, you may have a right to sue for relief under that Act.

Information contained in this publication regarding device applications and the like is provided only for your convenience and may be superseded by updates. It is your responsibility to ensure that your application meets with your specifications. MICROCHIP MAKES NO REPRESENTATIONS OR WARRANTIES OF ANY KIND WHETHER EXPRESS OR IMPLIED, WRITTEN OR ORAL, STATUTORY OR OTHERWISE, RELATED TO THE INFORMATION, INCLUDING BUT NOT LIMITED TO ITS CONDITION, QUALITY, PERFORMANCE, MERCHANTABILITY OR FITNESS FOR PURPOSE. Microchip disclaims all liability arising from this information and its use. Use of Microchip devices in life support and/or safety applications is entirely at the buyer's risk, and the buyer agrees to defend, indemnify and hold harmless Microchip from any and all damages, claims, suits, or expenses resulting from such use. No licenses are conveyed, implicitly or otherwise, under any Microchip intellectual property rights unless otherwise stated.

Microchip received ISO/TS-16949:2009 certification for its worldwide headquarters, design and wafer fabrication facilities in Chandler and Tempe, Arizona; Gresham, Oregon and design centers in California and India. The Company's quality system processes and procedures are for its PIC® MCUs and dsPIC® DSCs, KEELoQ® code hopping devices, Serial EEPROMs, microperipherals, nonvolatile memory and analog products. In addition, Microchip's quality system for the design and manufacture of development systems is ISO 9001:2000 certified.

**QUALITY MANAGEMENT SYSTEM
CERTIFIED BY DNV
= ISO/TS 16949 =**

Trademarks

The Microchip name and logo, the Microchip logo, AnyRate, dsPIC, FlashFlex, flexPWR, Helder, JukeBlox, KeeLoq, KeeLoq logo, Klear, LANCheck, LINK MD, MediaLB, MOST, MOST logo, MPLAB, OptoLyzer, PIC, PICSTART, PIC32 logo, RightTouch, SpyNIC, SST, SST Logo, SuperFlash and UNI/O are registered trademarks of Microchip Technology Incorporated in the U.S.A. and other countries.

ClockWorks, The Embedded Control Solutions Company, ETHERSYNCH, Hyper Speed Control, HyperLight Load, IntelliMOS, mTouch, Precision Edge, and QUIET-WIRE are registered trademarks of Microchip Technology Incorporated in the U.S.A.

Analog-for-the-Digital Age, Any Capacitor, AnyIn, AnyOut, BodyCom, chipKIT, chipKIT logo, CodeGuard, dsPICDEM, dsPICDEM.net, Dynamic Average Matching, DAM, ECAN, EtherGREEN, In-Circuit Serial Programming, ICSP, Inter-Chip Connectivity, JitterBlocker, KlearNet, KlearNet logo, MiWi, motorBench, MPASM, MPF, MPLAB Certified logo, MPLIB, MPLINK, MultiTRAK, NetDetach, Omniscient Code Generation, PICDEM, PICDEM.net, PICkit, PICtail, PureSilicon, RightTouch logo, REAL ICE, Ripple Blocker, Serial Quad I/O, SQL, SuperSwitcher, SuperSwitcher II, Total Endurance, TSHARC, USBCheck, VariSense, ViewSpan, WiperLock, Wireless DNA, and ZENA are trademarks of Microchip Technology Incorporated in the U.S.A. and other countries.

SQTP is a service mark of Microchip Technology Incorporated in the U.S.A.

Silicon Storage Technology is a registered trademark of Microchip Technology Inc. in other countries.

GestIC is a registered trademarks of Microchip Technology Germany II GmbH & Co. KG, a subsidiary of Microchip Technology Inc., in other countries.

All other trademarks mentioned herein are property of their respective companies.

© 2016, Microchip Technology Incorporated, Printed in the U.S.A., All Rights Reserved.

ISBN: 978-1-5224-0281-7



Worldwide Sales and Service

AMERICAS

Corporate Office
2355 West Chandler Blvd.
Chandler, AZ 85224-6199
Tel: 480-792-7200
Fax: 480-792-7277
Technical Support:
[http://www.microchip.com/
support](http://www.microchip.com/support)

Web Address:
www.microchip.com

Atlanta
Duluth, GA
Tel: 678-957-9614
Fax: 678-957-1455

Austin, TX
Tel: 512-257-3370

Boston
Westborough, MA
Tel: 774-760-0087
Fax: 774-760-0088

Chicago
Itasca, IL
Tel: 630-285-0071
Fax: 630-285-0075

Cleveland
Independence, OH
Tel: 216-447-0464
Fax: 216-447-0643

Dallas
Addison, TX
Tel: 972-818-7423
Fax: 972-818-2924

Detroit
Novi, MI
Tel: 248-848-4000

Houston, TX
Tel: 281-894-5983

Indianapolis
Noblesville, IN
Tel: 317-773-8323
Fax: 317-773-5453

Los Angeles
Mission Viejo, CA
Tel: 949-462-9523
Fax: 949-462-9608

New York, NY
Tel: 631-435-6000

San Jose, CA
Tel: 408-735-9110

Canada - Toronto
Tel: 905-673-0699
Fax: 905-673-6509

ASIA/PACIFIC

Asia Pacific Office
Suites 3707-14, 37th Floor
Tower 6, The Gateway
Harbour City, Kowloon

Hong Kong
Tel: 852-2943-5100
Fax: 852-2401-3431

Australia - Sydney
Tel: 61-2-9868-6733
Fax: 61-2-9868-6755

China - Beijing
Tel: 86-10-8569-7000
Fax: 86-10-8528-2104

China - Chengdu
Tel: 86-28-8665-5511
Fax: 86-28-8665-7889

China - Chongqing
Tel: 86-23-8980-9588
Fax: 86-23-8980-9500

China - Dongguan
Tel: 86-769-8702-9880

China - Hangzhou
Tel: 86-571-8792-8115
Fax: 86-571-8792-8116

China - Hong Kong SAR
Tel: 852-2943-5100
Fax: 852-2401-3431

China - Nanjing
Tel: 86-25-8473-2460
Fax: 86-25-8473-2470

China - Qingdao
Tel: 86-532-8502-7355
Fax: 86-532-8502-7205

China - Shanghai
Tel: 86-21-5407-5533
Fax: 86-21-5407-5066

China - Shenyang
Tel: 86-24-2334-2829
Fax: 86-24-2334-2393

China - Shenzhen
Tel: 86-755-8864-2200
Fax: 86-755-8203-1760

China - Wuhan
Tel: 86-27-5980-5300
Fax: 86-27-5980-5118

China - Xian
Tel: 86-29-8833-7252
Fax: 86-29-8833-7256

ASIA/PACIFIC

China - Xiamen
Tel: 86-592-2388138
Fax: 86-592-2388130

China - Zhuhai
Tel: 86-756-3210040
Fax: 86-756-3210049

India - Bangalore
Tel: 91-80-3090-4444
Fax: 91-80-3090-4123

India - New Delhi
Tel: 91-11-4160-8631
Fax: 91-11-4160-8632

India - Pune
Tel: 91-20-3019-1500

Japan - Osaka
Tel: 81-6-6152-7160
Fax: 81-6-6152-9310

Japan - Tokyo
Tel: 81-3-6880-3770
Fax: 81-3-6880-3771

Korea - Daegu
Tel: 82-53-744-4301
Fax: 82-53-744-4302

Korea - Seoul
Tel: 82-2-554-7200
Fax: 82-2-558-5932 or
82-2-558-5934

Malaysia - Kuala Lumpur
Tel: 60-3-6201-9857
Fax: 60-3-6201-9859

Malaysia - Penang
Tel: 60-4-227-8870
Fax: 60-4-227-4068

Philippines - Manila
Tel: 63-2-634-9065
Fax: 63-2-634-9069

Singapore
Tel: 65-6334-8870
Fax: 65-6334-8850

Taiwan - Hsin Chu
Tel: 886-3-5778-366
Fax: 886-3-5770-955

Taiwan - Kaohsiung
Tel: 886-7-213-7828

Taiwan - Taipei
Tel: 886-2-2508-8600
Fax: 886-2-2508-0102

Thailand - Bangkok
Tel: 66-2-694-1351
Fax: 66-2-694-1350

EUROPE

Austria - Wels
Tel: 43-7242-2244-39
Fax: 43-7242-2244-393

Denmark - Copenhagen
Tel: 45-4450-2828
Fax: 45-4485-2829

France - Paris
Tel: 33-1-69-53-63-20
Fax: 33-1-69-30-90-79

Germany - Dusseldorf
Tel: 49-2129-3766400

Germany - Karlsruhe
Tel: 49-721-625370

Germany - Munich
Tel: 49-89-627-144-0
Fax: 49-89-627-144-44

Italy - Milan
Tel: 39-0331-742611
Fax: 39-0331-466781

Italy - Venice
Tel: 39-049-7625286

Netherlands - Druen
Tel: 31-416-690399
Fax: 31-416-690340

Poland - Warsaw
Tel: 48-22-3325737

Spain - Madrid
Tel: 34-91-708-08-90
Fax: 34-91-708-08-91

Sweden - Stockholm
Tel: 46-8-5090-4654

UK - Wokingham
Tel: 44-118-921-5800
Fax: 44-118-921-5820

07/14/15

X-ON Electronics

Largest Supplier of Electrical and Electronic Components

Click to view similar products for [Bluetooth Modules \(802.15.1\) category:](#)

Click to view products by [Microchip manufacturer:](#)

Other Similar products are found below :

[A2541R24A10GM](#) [BCM20737S](#) [CYW20732S](#) [968EMB0019](#) [WT32I-A-AI61C](#) [NRF51822-QFAA-R7-G0](#) [BT680F](#) [BM83SM1-00AA](#)
[DAT12](#) [BGM11S12F256GA-BG2](#) [BGM111A256V21R](#) [BGM210LA22JNF2](#) [MGM210LA22JNF2](#) [CYBT-333047-02](#) [CYBT-333032-02](#)
[NINA-B410-00B](#) [NINA-B416-00B](#) [RN4020-V/RMBEC133](#) [1327](#) [RN42HID-I/RM](#) [ENW-89829C3KF](#) [BLE113-A-V1](#) [BLE112-A-V1](#) [451-](#)
[00001](#) [RN42HID-IRM](#) [RN41HCI-IRM](#) [BL600-SA-32](#) [EYSHCNZWZ](#) [BT820-02](#) [CYBLE-212006-01](#) [ENW89837AUKF](#) [ENW89837AWKF](#)
[ENW-89847A3KF](#) [RN4871-I/RM128](#) [451-00002](#) [BM23SPKA1NB9-0B02AA](#) [BM71BLES1FC2-0B02AA](#) [RN4870-I/RM128](#) [450-0119R](#)
[BT830-SA-01](#) [CYW20737S](#) [BT830-ST-01](#) [CYBLE-212020-01](#) [EYSGJNAWY-WX](#) [RN4870-I/RM130](#) [CYBLE-224116-01](#) [CYBLE-202007-](#)
[01](#) [BM63SPKA1MGA-0001AC](#) [BM70BLES1FC2-0B03AA](#) [CYBLE-202013-11](#)