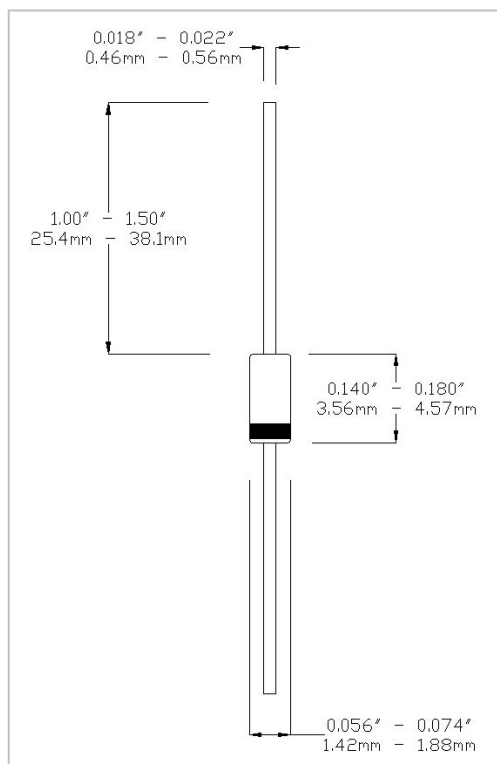


1N4150-1

FEATURES

- 1N4150-1 AVAILABLE IN JAN, JANTX, AND JANTXV PER MIL-PRF-19500/231
- SWITCHING DIODE
- METALLURGICALLY BONDED
- HERMETICALLY SEALED
- DOUBLE PLUG CONSTRUCTION



MAXIMUM RATINGS AT 25 °C

| | |
|------------------------------|---|
| Operating Temperature: | -65°C to +175°C |
| Storage Temperature: | -65°C to +175°C |
| Surge Current A, sine 1uS: | 4.0A |
| Surge Current B, sine 1S: | 0.5A |
| Total Power Dissipation: | 500mW |
| Operating Current: | 200mA, T _A = +25°C to +75°C |
| Derating Factor: | 2mA/°C above T _L (3/8")= +75°C |
| D.C. Reverse Voltage (VRWM): | 50V |

DC ELECTRICAL CHARACTERISTICS

| V _F | | | | I _R | | | | V _{BR} | | | |
|----------------|-------------------|-------|-------|----------------|--------|--------|--------|-----------------|-------------------|-------|-------|
| Ambient (°C) | I _F mA | Min V | Max V | Ambient (°C) | V (dc) | Min μA | Max μA | Ambient (°C) | I _R μA | Min V | Max V |
| 25 | 1 | .54 | .62 | 25 | 50 | - | 0.1 | 25 | 10 | 75 | - |
| 25 | 10 | .66 | .74 | 150 | 50 | - | 100 | | | | |
| 25 | 50 | .76 | .86 | | | | | | | | |
| 25 | 100 | .82 | .92 | | | | | | | | |
| 25 | 200 | .87 | 1.00 | | | | | | | | |

DESIGN DATA

Case: Hermetically sealed glass package per MIL-PRF-19500/231 DO-35 outline

Lead Material: Copper clad steel

Lead Finish: Tin/Lead

Thermal Resistance (R_{θJL}): 250°C/W maximum at L=.375"

Thermal Impedance (Z_{θJX}): 70°C/W maximum

Marking: Alpha numeric.

Polarity: Cathode end is banded.

AC ELECTRICAL CHARACTERISTICS AT 25°C

| | Symbol | Min | Max |
|--|--------|-----|-----|
| Capacitance @ 0V | pF | - | 2.5 |
| T_{RR} @ I_F=I_R=10mA, I_{Rec} = 1mA. | nsec | - | 4 |
| V_{FR} @ I_F= 200mA | V | - | 5 |
| T_{FR} @ I_F = 200mA | nsec | - | 10 |



WWW.MICROSEMI.COM

IRELAND - GORT ROAD, ENNIS, CO. CLARE

PHONE: +353 65 6840044

TOLL FREE: +186 62 702434

FAX: +353 65 6822298

U.S.A. DOMESTIC SALES CONTACT

PHONE: (617) 926 0404

TOLL FREE: 1 800 666 2999

X-ON Electronics

Largest Supplier of Electrical and Electronic Components

Click to view similar products for [Diodes - General Purpose, Power, Switching category:](#)

Click to view products by [Microchip manufacturer:](#)

Other Similar products are found below :

[RD0306T-H](#) [BAQ33-GS18](#) [BAV17-TR](#) [BAV19-TR](#) [1N3611](#) [NTE156A](#) [NTE525](#) [NTE571](#) [NTE574](#) [NTE5804](#) [NTE5806](#) [NTE6244](#)
[1SS181-TP](#) [1SS193,LF](#) [1SS400CST2RA](#) [SDAA13](#) [SHN2D02FUTW1T1G](#) [LS4151GS08](#) [1N4449](#) [1N456A](#) [1N4934-E3/73](#) [1N914B](#)
[1N914BTR](#) [RFUH20TB3S](#) [BAS 28 E6327](#) [BAV199-TP](#) [BAW56DWQ-7-F](#) [BAW75-TAP](#) [MM230L-CAA](#) [IDW40E65D1](#) [LL4151-GS18](#)
[053684A](#) [SMMSD4148T3G](#) [707803H](#) [SP000010217](#) [ACDSW4448-HF](#) [CDSZC01100-HF](#) [BAV199E6433HTMA1](#) [BAV70M3T5G](#)
[SMBT2001T1G](#) [NTE5801](#) [NTE5800](#) [NTE5808](#) [NTE6240](#) [NTE6248](#) [DLM10C-AT1](#) [BAS28-7](#) [BAW56HDW-13](#) [BAS28 TR](#) [VS-](#)
[HFA04SD60STR-M3](#)