

28-PIN LIN DEMO BOARD USER'S GUIDE

Note the following details of the code protection feature on Microchip devices:

- Microchip products meet the specification contained in their particular Microchip Data Sheet.
- Microchip believes that its family of products is one of the most secure families of its kind on the market today, when used in the intended manner and under normal conditions.
- There are dishonest and possibly illegal methods used to breach the code protection feature. All of these methods, to our knowledge, require using the Microchip products in a manner outside the operating specifications contained in Microchip's Data Sheets. Most likely, the person doing so is engaged in theft of intellectual property.
- Microchip is willing to work with the customer who is concerned about the integrity of their code.
- Neither Microchip nor any other semiconductor manufacturer can guarantee the security of their code. Code protection does not mean that we are guaranteeing the product as "unbreakable."

Code protection is constantly evolving. We at Microchip are committed to continuously improving the code protection features of our products. Attempts to break Microchip's code protection feature may be a violation of the Digital Millennium Copyright Act. If such acts allow unauthorized access to your software or other copyrighted work, you may have a right to sue for relief under that Act.

Information contained in this publication regarding device applications and the like is provided only for your convenience and may be superseded by updates. It is your responsibility to ensure that your application meets with your specifications. MICROCHIP MAKES NO REPRESENTATIONS OR WARRANTIES OF ANY KIND WHETHER EXPRESS OR IMPLIED, WRITTEN OR ORAL, STATUTORY OR OTHERWISE, RELATED TO THE INFORMATION, INCLUDING BUT NOT LIMITED TO ITS CONDITION, QUALITY, PERFORMANCE, MERCHANTABILITY OR FITNESS FOR PURPOSE. Microchip disclaims all liability arising from this information and its use. Use of Microchip devices in life support and/or safety applications is entirely at the buyer's risk, and the buyer agrees to defend, indemnify and hold harmless Microchip from any and all damages, claims, suits, or expenses resulting from such use. No licenses are conveyed, implicitly or otherwise, under any Microchip intellectual property rights.

Trademarks

The Microchip name and logo, the Microchip logo, Accuron, dsPIC, KEELOQ, microID, MPLAB, PIC, PICmicro, PICSTART, PRO MATE, PowerSmart, rPIC and SmartShunt are registered trademarks of Microchip Technology Incorporated in the U.S.A. and other countries.


Amplab, FilterLab, Migratable Memory, MXDEV, MXLAB, SEEVAL, SmartSensor and The Embedded Control Solutions Company are registered trademarks of Microchip Technology Incorporated in the U.S.A.

Analog-for-the-Digital Age, Application Maestro, CodeGuard, dsPICDEM, dsPICDEM.net, dsPICworks, ECAN, ECONOMONITOR, FanSense, FlexROM, fuzzyLAB, In-Circuit Serial Programming, ICSP, ICEPIC, Linear Active Thermistor, Mindi, MiWi, MPASM, MPLIB, MPLINK, PICkit, PICDEM, PICDEM.net, PICLAB, PICtail, PowerCal, PowerInfo, PowerMate, PowerTool, REAL ICE, rLAB, rPICDEM, Select Mode, Smart Serial, SmartTel, Total Endurance, UNI/O, WiperLock and ZENA are trademarks of Microchip Technology Incorporated in the U.S.A. and other countries.

SQTP is a service mark of Microchip Technology Incorporated in the U.S.A.

All other trademarks mentioned herein are property of their respective companies.

© 2009, Microchip Technology Incorporated, Printed in the U.S.A., All Rights Reserved.

 Printed on recycled paper.

**QUALITY MANAGEMENT SYSTEM
CERTIFIED BY DNV
== ISO/TS 16949:2002 ==**

Microchip received ISO/TS-16949:2002 certification for its worldwide headquarters, design and wafer fabrication facilities in Chandler and Tempe, Arizona, Gresham, Oregon and Mountain View, California. The Company's quality system processes and procedures are for its PIC® 8-bit MCUs, KEELOQ® code hopping devices, Serial EEPROMs, microperipherals, nonvolatile memory and analog products. In addition, Microchip's quality system for the design and manufacture of development systems is ISO 9001:2000 certified.



28-PIN LIN DEMO BOARD USER'S GUIDE

Table of Contents

Chapter 1. 28-Pin LIN Demo Board Overview

1.1 Introduction	4
1.2 Highlights	4
1.3 28-Pin LIN Demo Board Supported Devices	4
1.4 28-Pin LIN Demo Board Overview	5
1.5 Running the Default Demonstration	5

Appendix A. Hardware Schematics

A.1 Introduction	7
------------------------	---

Worldwide Sales and Service	10
--	-----------

Chapter 1. 28-Pin LIN Demo Board Overview

1.1 INTRODUCTION

The 28-Pin LIN Demo Board is a small and simple demonstration PCB for Microchip's 28-pin Dual Inline Package (DIP) PIC[®] Microcontroller Units (MCU). It is populated with a PIC16F886 MCU, a MCP2021 LIN Transceiver with voltage regulator, four LEDs, 2 push buttons and a potentiometer. The demo board has several test points to access the I/O pins of the MCU and a generous prototyping area. The MCU can be programmed with the PICkit[™] 2 Microcontroller Programmer or the MPLAB[®] ICD 2 using the RJ-11 to 6-pin inline adapter (AC164110).

1.2 HIGHLIGHTS

This chapter discusses:

- 28-Pin LIN Demo Board Supported Devices
- The 28-Pin LIN Demo Board Overview
- Running the Default Demonstration

1.3 28-PIN LIN DEMO BOARD SUPPORTED DEVICES

The 28-Pin LIN Demo Board can be used with virtually any 28-pin Dual Inline Package (DIP) PIC MCU. The assembled 28-Pin LIN Demo Board is populated with a PIC16F886-I/P microcontroller.

Additional 28-Pin LIN Demo Boards can be ordered from Microchip Technology and distributors. Part number, DM164120-3, comes with one assembled and two blank 28-Pin LIN Demo Boards. The blank demo board can be used for evaluating or prototyping circuits using any of the 28-pin devices listed below.

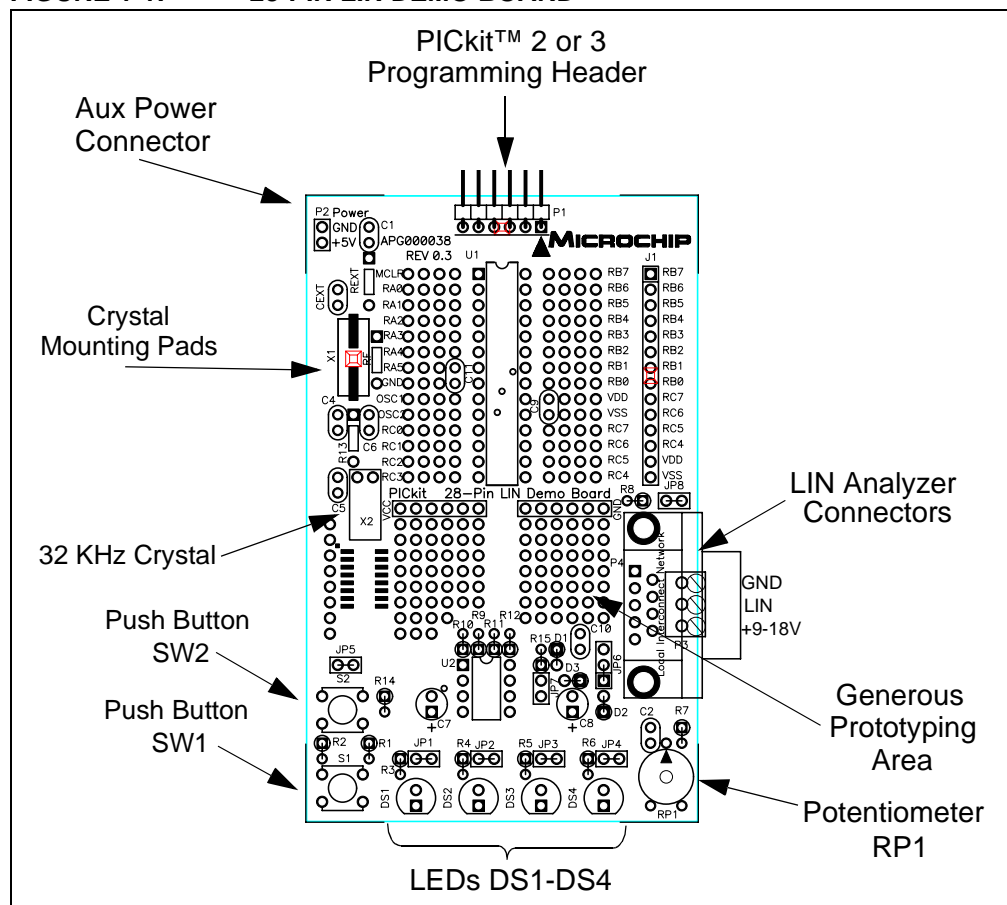
PIC16CR63	PIC16F913	PIC18F2510
PIC16CR76	PIC16F916	PIC18F2520
PIC16C63A		PIC18F2515
PIC16C745		PIC18F2523
PIC16C773	PIC18F2220	PIC18F2525
	PIC18F2221	PIC18F2550
PIC16F737	PIC18F2320	PIC18F2580
PIC16F767	PIC18F2321	PIC18F2585
PIC16F870	PIC18F2331	PIC18F2610
PIC16F872	PIC18F2410	PIC18F2620
PIC16F873A	PIC18F2420	PIC18F2680
PIC16F876A	PIC18F2423	PIC18F2682
PIC16F882	PIC18F2431	PIC18F2685
PIC16F883	PIC18F2450	PIC18F24J10
PIC16F886	PIC18F2455	PIC18F25J10
	PIC18F2480	

28-Pin LIN Demo Board Overview

1.4 28-PIN LIN DEMO BOARD OVERVIEW

The 28-Pin LIN Demo Board is populated with a PIC16F886 MCU (U1), a MCP2021 LIN Transceiver with Voltage Regulator (U2), four LEDs (DS1-DS4), Two push buttons (SW1 and SW2), 32 KHz crystal (X2) and potentiometer (RP1). The board layout is shown in Figure 1-1. The demo board has several test points to access the I/O pins of the MCU and a generous prototyping area. The MCU can be programmed with the PICKit™ 2 Microcontroller Programmer from header P1.

FIGURE 1-1: 28-PIN LIN DEMO BOARD



1.5 RUNNING THE DEFAULT DEMONSTRATION

The assembled 28-Pin LIN Demo Board comes preprogrammed with a demonstration program. To use this program, power the demo board (9.0-18.0 Vdc) using a LIN Network Analyzer and/or a bench power supply connected to header P3 or P4. To use the PICKit™ 2 Microcontroller Programmer, connect it to a PC USB port using the USB cable. The demo board will blink the LEDs in the Reset pattern. The Reset pattern consists of three different LED blink patterns. First, the LEDs will “ping pong” (LED1, 2, 3 and 4, then LED 4, 3, 2 and 1). Second, the LEDs will blink on and off in unison. Third, the LEDs will perform the ADC display where values 0x0A, 0x0D and 0x0C display in sequence followed by the Most Significant 4 bits of the ADC result measuring channel 1, which is the on-board potentiometer. After this sequence, the EAUSART is initialized for LIN communication.

Sending an ID of 0x2F will request a four-byte data response as follows:

Data byte 1 = ADC result

28-Pin LIN Demo Board User's Guide

Data byte 2 = (bit 5 = SW1, bit 4 = SW2, bit 3:0 LEDS)

Data byte 3 = 0 (not used)

Data byte 4 = 0 (not used)



28-PIN LIN DEMO BOARD USER'S GUIDE

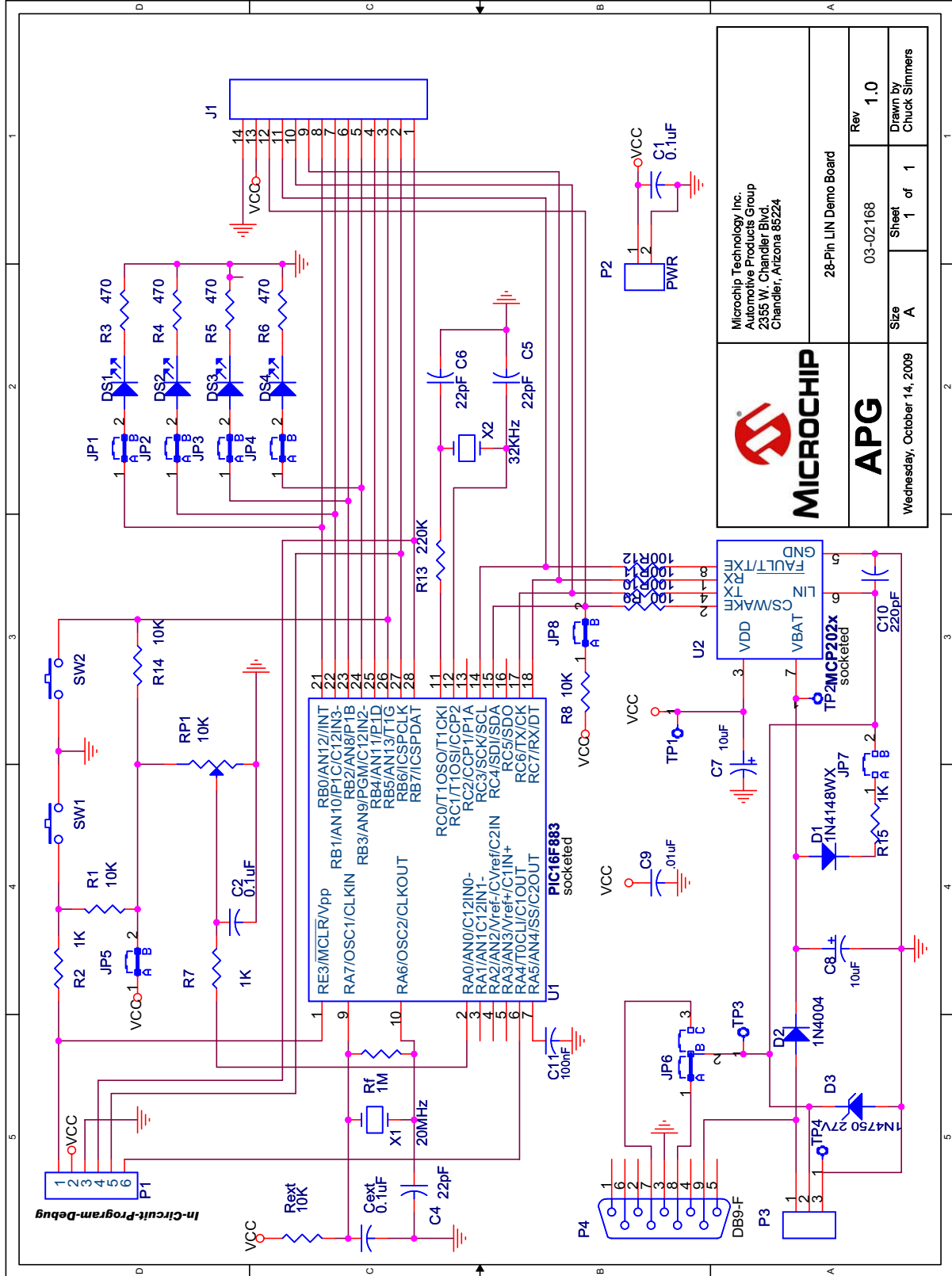
Appendix A. Hardware Schematics


A.1 INTRODUCTION

This appendix contains the 28-Pin LIN Demo Board schematic and Bill of Materials.

28-Pin LIN Demo Board User's Guide

A.1.1 Schematic Diagram



 MICROCHIP		Microchip Technology Inc. Automotive Products Group 2355 W. Chandler Blvd. Chandler, Arizona 85224	
		28-Pin LIN Demo Board	
APG		Wednesday, October 14, 2009	Sheet 1 of 1
Size A		03-02168	Rev 1.0
Drawn by Chuck Simmers		Drawn by Chuck Simmers	

A.1.2 Bill of Materials

Bill of Materials		
Designation	Qty	Description
C1, C2	2	Capacitor, Ceramic, 0.1 μ F, 5%, X7R
C5, C6	2	Capacitor, Ceramic, 22 pF, 50V, C0G
C7, C8	2	Capacitor, Tantalum, 10 μ F, 5%, 35V
C9	1	Capacitor, Ceramic, 0.01 μ F, 5%, X7R
C10	1	Capacitor, Ceramic, 220 pF, 50V, C0G
R3-R6	4	Resistor, 470 Ω , 5%, 1/8W
R2, R7	2	Resistor, 1 k Ω , 5%, 1/8W
R1, R8, R14, R15	4	Resistor, 10 k Ω , 5%, 1/8W
R9-R12	2	Resistor 100 Ω , 5%, 1/8W
R13	1	Resistor 220 k Ω , 5%, 1/8W
RP1	1	Potentiometer 10 k Ω , thumbwheel
DS1-DS4	4	LED, T1-3/4, 5mm
D1	1	1N4750, 27V, Zener diode
D2	1	1N4004, diode
D3	1	1N4148, diode
SW1	1	Switch, push button, momentary
U1 – Microcontroller	1	28-pin PIC [®] MCU
U2 - LIN Transceiver	1	MCP2021-500E/P
P1	1	Connector, header, right-angle, 6-pin, 0.100" spacing, 0.025"
P4	1	D-SUB 9-pin female
JP1:5, JP7:JP8	7	Connector, header, 2-pin, 0.100" spacing, 0.025" square
JP6	1	Connector, header, 3-pin, 0.100" spacing, 0.025" square
Rubber Feet	4	Bumpon square, 0.40 x 0.10, black
X2	1	Crystal, tuning fork, cylinder, 12.5 pF
J1	1	Connector, receptacle 1x14-pin



WORLDWIDE SALES AND SERVICE

AMERICAS

Corporate Office
2355 West Chandler Blvd.
Chandler, AZ 85224-6199
Tel: 480-792-7200
Fax: 480-792-7277
Technical Support:
<http://support.microchip.com>
Web Address:
www.microchip.com

Atlanta
Alpharetta, GA
Tel: 770-640-0034
Fax: 770-640-0307

Boston
Westborough, MA
Tel: 774-760-0087
Fax: 774-760-0088

Chicago
Itasca, IL
Tel: 630-285-0071
Fax: 630-285-0075

Dallas
Addison, TX
Tel: 972-818-7423
Fax: 972-818-2924

Detroit
Farmington Hills, MI
Tel: 248-538-2250
Fax: 248-538-2260

Kokomo
Kokomo, IN
Tel: 765-864-8360
Fax: 765-864-8387

Los Angeles
Mission Viejo, CA
Tel: 949-462-9523
Fax: 949-462-9608

Santa Clara
Santa Clara, CA
Tel: 408-961-6444
Fax: 408-961-6445

Toronto
Mississauga, Ontario,
Canada
Tel: 905-673-0699
Fax: 905-673-6509

ASIA/PACIFIC

Asia Pacific Office
Suites 3707-14, 37th Floor
Tower 6, The Gateway
Harbour City, Kowloon
Hong Kong
Tel: 852-2401-1200
Fax: 852-2401-3431

Australia - Sydney
Tel: 61-2-9868-6733
Fax: 61-2-9868-6755

China - Beijing
Tel: 86-10-8528-2100
Fax: 86-10-8528-2104

China - Chengdu
Tel: 86-28-8665-5511
Fax: 86-28-8665-7889

China - Fuzhou
Tel: 86-591-8750-3506
Fax: 86-591-8750-3521

China - Hong Kong SAR
Tel: 852-2401-1200
Fax: 852-2401-3431

China - Qingdao
Tel: 86-532-8502-7355
Fax: 86-532-8502-7205

China - Shanghai
Tel: 86-21-5407-5533
Fax: 86-21-5407-5066

China - Shenyang
Tel: 86-24-2334-2829
Fax: 86-24-2334-2393

China - Shenzhen
Tel: 86-755-8203-2660
Fax: 86-755-8203-1760

China - Shunde
Tel: 86-757-2839-5507
Fax: 86-757-2839-5571

China - Wuhan
Tel: 86-27-5980-5300
Fax: 86-27-5980-5118

China - Xian
Tel: 86-29-8833-7250
Fax: 86-29-8833-7256

ASIA/PACIFIC

India - Bangalore
Tel: 91-80-4182-8400
Fax: 91-80-4182-8422

India - New Delhi
Tel: 91-11-4160-8631
Fax: 91-11-4160-8632

India - Pune
Tel: 91-20-2566-1512
Fax: 91-20-2566-1513

Japan - Yokohama
Tel: 81-45-471- 6166
Fax: 81-45-471-6122

Korea - Gumi
Tel: 82-54-473-4301
Fax: 82-54-473-4302

Korea - Seoul
Tel: 82-2-554-7200
Fax: 82-2-558-5932 or
82-2-558-5934

Malaysia - Penang
Tel: 60-4-646-8870
Fax: 60-4-646-5086

Philippines - Manila
Tel: 63-2-634-9065
Fax: 63-2-634-9069

Singapore
Tel: 65-6334-8870
Fax: 65-6334-8850

Taiwan - Hsin Chu
Tel: 886-3-572-9526
Fax: 886-3-572-6459

Taiwan - Kaohsiung
Tel: 886-7-536-4818
Fax: 886-7-536-4803

Taiwan - Taipei
Tel: 886-2-2500-6610
Fax: 886-2-2508-0102

Thailand - Bangkok
Tel: 66-2-694-1351
Fax: 66-2-694-1350

EUROPE

Austria - Wels
Tel: 43-7242-2244-39
Fax: 43-7242-2244-393

Denmark - Copenhagen
Tel: 45-4450-2828
Fax: 45-4485-2829

France - Paris
Tel: 33-1-69-53-63-20
Fax: 33-1-69-30-90-79

Germany - Munich
Tel: 49-89-627-144-0
Fax: 49-89-627-144-44

Italy - Milan
Tel: 39-0331-742611
Fax: 39-0331-466781

Netherlands - Drunen
Tel: 31-416-690399
Fax: 31-416-690340

Spain - Madrid
Tel: 34-91-708-08-90
Fax: 34-91-708-08-91

UK - Wokingham
Tel: 44-118-921-5869
Fax: 44-118-921-5820

X-ON Electronics

Largest Supplier of Electrical and Electronic Components

Click to view similar products for [Development Boards & Kits - PIC/DSPIC category](#):

Click to view products by [Microchip manufacturer](#):

Other Similar products are found below :

[S-191](#) [TDGL025](#) [LSD4NBT-B208000001](#) [DV330021](#) [DM160230](#) [DM164141](#) [DM164142](#) [DM164143](#) [DM320010](#) [DM320105](#) [DM320106](#)
[DM330028](#) [DV161001](#) [DM320008](#) [DM320008-C](#) [DM320010-C](#) [DM330026](#) [MIKROE-2653](#) [MIKROE-2644](#) [MIKROE-2657](#) [MIKROE-](#)
[2647](#) [MIKROE-2654](#) [MIKROE-2648](#) [MIKROE-2788](#) [MIKROE-1907](#) [410-336](#) [SC70EV](#) [ECC577448EU](#) [ESP32-Audio-Kit](#) [AC103011](#)
[AC243026](#) [AC323027](#) [ADM00333](#) [ARD00906](#) [DM160228](#) [DM163025-1](#) [DM163030](#) [DM164127-2](#) [DM164130-3](#) [DM164136](#) [DM164137](#)
[DM164140](#) [DM180021](#) [DM182026](#) [DM183021](#) [DM240001](#) [DM240001-2](#) [DM240001-3](#) [DM240004](#) [DM240011](#)