



---

## Table of Contents

---

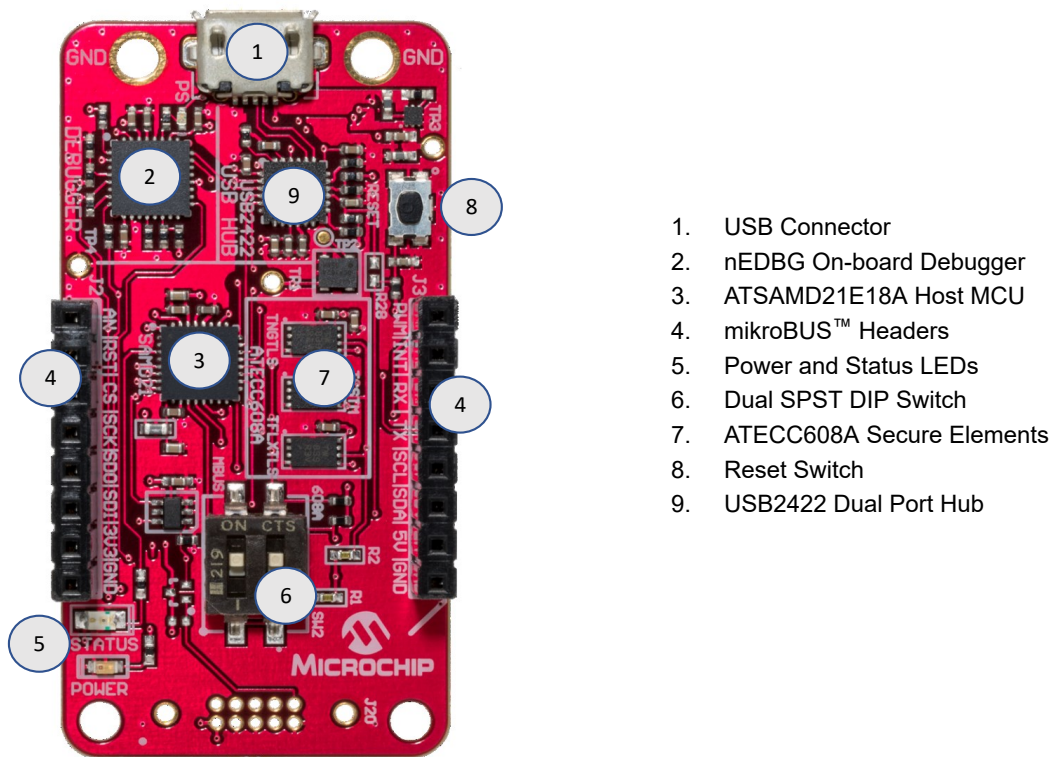
Introduction.....	1
1. Hardware Overview.....	3
1.1. Kit Ordering Code and Components.....	3
1.2. Functional Description.....	4
1.3. Hardware Documentation.....	5
2. mikroBUS™ and Click Add-On Boards.....	6
3. Software Requirements.....	8
3.1. Software Application Development.....	8
3.2. Firmware Upgrade.....	8
4. Document Revision History.....	10
The Microchip Website.....	11
Product Change Notification Service.....	11
Customer Support.....	11
Microchip Devices Code Protection Feature.....	11
Legal Notice.....	11
Trademarks.....	12
Quality Management System.....	12
Worldwide Sales and Service.....	13

## 1. Hardware Overview

The CryptoAuth Trust Platform consists of a Microchip SAM D21 microcontroller configured as the main MCU. It comes pre-programmed with Microchip's Secure Products Group (SPG) kit protocol. This protocol facilitates the communication between the CryptoAuthentication devices and the host MCU over the USB HID interface. The data transfer between the secure elements and the host MCU is indicated by the Status LED.

The trust platform consists of three secure elements: ATECC608A-TNGTLS ([Trust&GO](#)), ATECC608A-TFLXTLS Prototype ([TrustFLEX](#)) and ATECC608A-MAHDA ([TrustCUSTOM](#)). Each of the secure elements has a different I<sup>2</sup>C address that enables its communication with the host MCU, which eliminates the line contention issue.

Figure 1-1. CryptoAuth Trust Platform Board Components



### 1.1 Kit Ordering Code and Components

#### Ordering Information

Kit Name: [CryptoAuth Trust Platform Development Kit](#)

Ordering Code: DM320118

Availability: The kit will be available from Microchip Direct and multiple distributors.

#### CryptoAuth Trust Platform Kit Contents and Requirements

The CryptoAuth Trust Platform Kit contains:

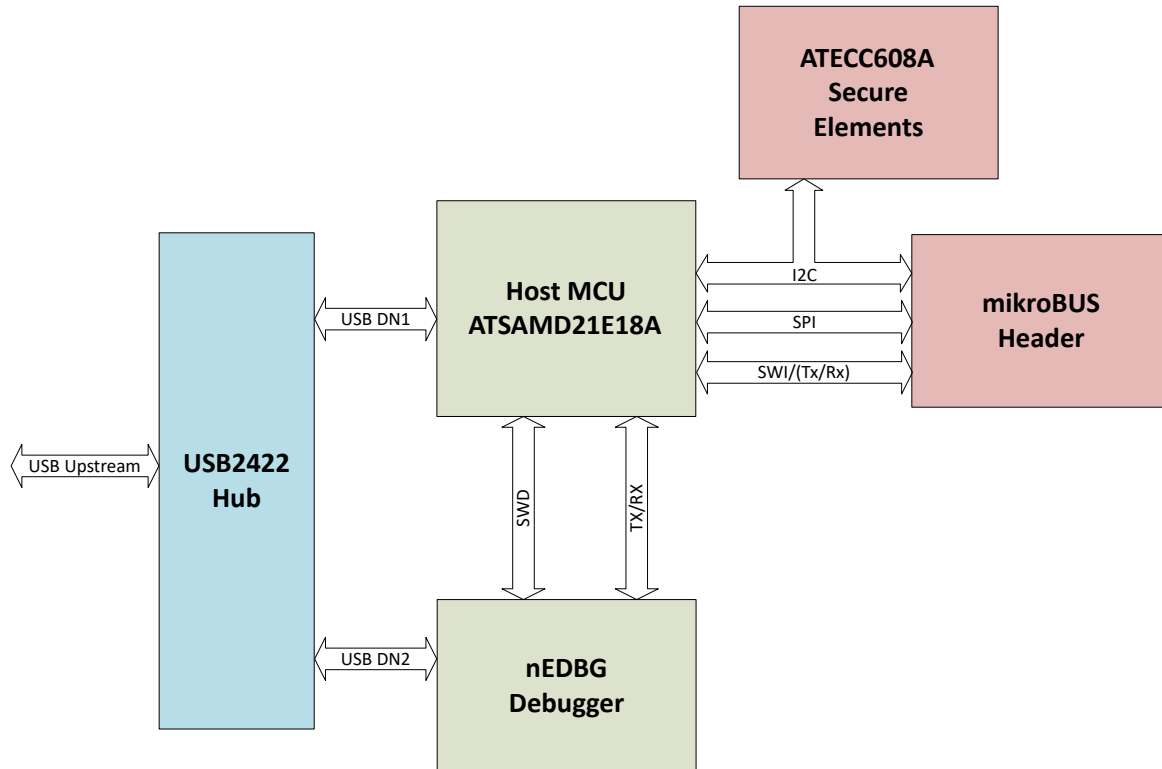
- CryptoAuth Trust Platform board

A micro USB cable (not included) is required to operate the board.

## 1.2 Functional Description

The block diagram in [Figure 1-2](#) illustrates the major connections of the CryptoAuth Trust Platform. For additional details refer to the board schematics referenced in [section 1.3 Hardware Documentation](#) of the document.

**Figure 1-2. Block Diagram**



### Main Board Components

- **ATSAMD21:** The Microchip SAM D21 is an ARM® Cortex M0+ based microcontroller. The MCU connects to the three secure elements via I<sup>2</sup>C. The mikroBUS header has I<sup>2</sup>C, SPI, UART, GPIO and analog connections to the microcontroller. This enables the possibility of using the CryptoAuth Trust Platform with many types of MikroElektronika Click boards™.
- **Secure Elements:** The Trust Platform consists of three ATECC608A-based ICs, as listed in the following [table](#). Please refer to the specific data sheets associated with each of these devices for more details.

Device	Default 7-bit I <sup>2</sup> C Address	8-bit Programmed I <sup>2</sup> C Address Value <sup>(1)</sup>
ATECC608A-TNGTLS	0x35	0x6A
ATECC608A-TFLXTLS	0x36	0x6C
ATECC608A-MAHDA	0x60	0xC0

**Note:**

1. This is the I2C\_Address byte value programmed into the ATECC608A device.

- **mikroBUS Header:** The mikroBUS header is a pre-defined header connection for all the MikroElektronika boards. This lets the user connect many types of Click sensors and add-on boards to the Trust Platform. The Trust Platform has SPI, I<sup>2</sup>C, UART and GPIO and analog connections to the host microcontroller.
- **DIP Switch:** The switch is used to select between the on-board ATECC608A Trust Platform devices and the mikroBUS header. The switches disconnect the SDA lines of the I<sup>2</sup>C interface to prevent conflict in case two I<sup>2</sup>C addresses are the same. Both switches can be enabled if all I<sup>2</sup>C addresses are unique on all devices connected to the board.

Switch Settings		What is Enabled	
SW2_1	SW2_2	mikroBUS Header	On-Board Devices
ON	ON	Yes	Yes
OFF	ON	No	Yes
ON	OFF	Yes	No
OFF	OFF	No	No

- **nEDBG Debugger:** The debugger is used to program and flash the host MCU. Debug information can also be read back from the host MCU through the debugger interface. When plugged into the system and opened with MPLAB X IDE, the nEDBG debugger will show up with a serial number of MCHP3311xxxxxxxxxxxxxx.
- **USB Hub:** The Microchip USB2422 is a dual-port USB hub. The hub will pass data between the upstream port and the downstream devices. The downstream devices are the debugger and the host MCU.

### 1.3 Hardware Documentation

Additional documentation for the kit can be found on the Microchip Website for the [DM320118](#).

This includes:

1. Board Design Documentation including Schematics and 3D Views
2. Gerber Files
3. CryptoAuth Trust Platform User's Guide (DM320118)
4. Trust Platform Design Suite Tools

## 2. mikroBUS™ and Click Add-On Boards

The mikroBUS connector is emerging as a de facto industry-standard add-on board form factor. The CryptoAuth Trust Platform board has a single mikroBUS host connector. Having this capability dramatically expands the usefulness of this board for developing and prototyping new applications. All of the boards listed in [Table 2-1](#) have been developed by MikroElektronika, except as noted.

**Table 2-1. mikroBUS Add-on Boards**

Board Name	Devices Supported	Manufacturer	Description
<a href="#">ATECC608A DT100104<sup>(1)</sup></a>	ATECC608A-TNGTLS ATECC608A-TFLXTLS ATECC608A-MAHDA	Microchip	The ATECC608A Trust board provides additional sample units for doing development work. This board was developed as an alternative to using socketed boards. Each of the devices can be individually selected using the on-board DIP switches.
<a href="#">Secure UDFN click</a>	All Microchip CryptoAuthentication devices	MikroElektronika	The secure UDFN Click board™ has been developed as an 8-pin UDFN socketed solution for configuring and provisioning CryptoAuthentication™ devices. These devices may be used to mount to early prototype or production boards.
<a href="#">Secure SOIC click</a>	All Microchip CryptoAuthentication devices	MikroElektronika	The secure SOIC click board has been developed as an 8-pin SOIC socketed solution for configuring and provisioning CryptoAuthentication devices. These devices may be used to mount to early prototype or production boards.
<a href="#">WiFi 7 click</a>	ATWINC1510	MikroElektronika	WiFi module utilizing the ATWINC510. The board supports IEEE® 802.11 b/g/n protocols and communicates over the SPI interface.
<a href="#">Secure 4 click</a>	ATECC608A	MikroElektronika	Has a generic ATECC608A secure element with an I <sup>2</sup> C interface. This device is the same as the ATECC608A TrustCustom device that is mounted on the CryptoAuth Trust Platform board.
<a href="#">Secure click</a>	ATECC508A	MikroElektronika	Has a generic ATECC508A secure element with an I <sup>2</sup> C interface.
<a href="#">Secure 3 click</a>	ATSHA204A	MikroElektronika	Has a generic ATSHA204A secure element with an I <sup>2</sup> C interface. The device has a cryptographic coprocessor with symmetric secure hardware-based key storage.
<a href="#">Secure 6 click</a>	ATSHA204A	MikroElektronika	Has a generic ATSHA204A secure element with a SWI interface. The device has a cryptographic coprocessor with symmetric secure hardware based key storage.
<a href="#">Secure 2 Click</a>	ATAES132A	MikroElektronika	Has a generic ATAES132A secure element with an I <sup>2</sup> C Interface. The ATAES132A is a 32K serial EEPROM that can be configured as a secure memory device.
<a href="#">mikroBUS Shuttle</a>	Click expansion boards	MikroElektronika	The mikroBUS Shuttle is a small add-on board that can be used to expand the mikroBUS to multiple mikroBUS connectors.

.....continued

Board Name	Devices Supported	Manufacturer	Description
<a href="#">Shuttle Click</a>	Click expansion boards	MikroElektronika	The Shuttle Click is a socket expansion board that provides an elegant solution for stacking up to four Click boards.

**Note:**

1. Manufactured by Microchip.

## 3. Software Requirements

The CryptoAuth Trust Platform can be used in a variety of ways. These include:

1. As a development tool in conjunction with Microchip's Trust Platform Design Suite of use case tools.
2. As a development and demonstration platform for Microchip predefined applications.
3. As a development platform to develop your own applications using Microchip's Python-based tools or C-based tools.

Various software tools are available to work with the CryptoAuth Trust Platform.

### 3.1 Software Application Development

The following tools are useful for developing or modifying applications.

#### Trust Platform Design Suite

The [Microchip Trust Platform Design Suite](#) of use case tools are based on Jupyter Notebooks and Python programs to allow a developer to quickly define and develop applications for the Trust Platform products.

The Microchip Trust Platform Design Suite provides the ability to inter-operate with the on-board ATECC608A CryptoAuthentication devices or CryptoAuthentication devices attached through the mikroBUS header. The tool provides an easy way to select from available device options and generate the required configuration files needed for provisioning. The tool can also be used to develop applications utilizing the CryptoAuth Trust Platform.

#### MPLAB® X IDE

[MPLAB X](#) is an Integrated Development Environment (IDE) that works on Windows®, macOS®, and Linux® environments. The tools can be used to develop new embedded applications using the onboard SAM D21 microcontroller. The tool will automatically make use of the onboard nEDBG debugger to program the SAM D21 microcontroller. The debugger can also be used to provide debug information back from the host microcontroller to a terminal window through a COM port.

#### Atmel Studio 7

[Atmel Studio 7](#) is an Integrated Development Environment (IDE) that works on Windows® environments. The tools can be used to develop new embedded applications using the onboard SAM D21 microcontroller. The tool will automatically make use of the onboard nEDBG debugger to program the SAM D21 microcontroller. The debugger can also be used to provide debug information back from the host microcontroller to a terminal window through a COM port.

#### CryptoAuthLib

CryptoAuthLib was developed to make working with Microchip's CryptoAuthentication devices a simple and straightforward process. CryptoAuthLib has been designed with a Hardware Abstraction Layer (HAL) to make it easily extensible to other microcontrollers. Both C and Python versions of the library are available. The Python version of the library is maintained by Microchip and available through the PythonPackage Index website ([pypi.org](http://pypi.org)). The most recent version of CryptoAuthLib can be found on Microchip's GitHub site.

- [CryptoAuthLib - Python](#)
- [CryptoAuthLib - GitHub](#)

### 3.2 Firmware Upgrade

New firmware for the CryptoAuth Trust Platform may be available periodically with new features or enhancements. In addition, specific applications developed by Microchip may be made available for use with this development board. The latest version of the firmware and information about other applications will be found on the [DM320118](#) product page.



Two Microchip tools exist for upgrading the firmware of the CryptoAuth Trust Platform development kit. Firmware upgrades are done in the standard way using both tools and are not described in more detail here. Both of these options utilized the nEDBG on-board debugger. These options are:

- MPLAB X IPE (Integrated Programming Environment) – This tool is provided as part of the MPLAB X IDE download.
- Atmel Studio 7 – Integrated Design Environment.



**Notice:** Upgrading to the latest version of the tools is recommended. Older versions of the tool may not recognize the nEDBG debugger or the specific kit information.

---

## **4. Document Revision History**

### **Revision A (September 2019)**

- Initial release of this User's Guide.

---

## The Microchip Website

---

Microchip provides online support via our website at <http://www.microchip.com/>. This website is used to make files and information easily available to customers. Some of the content available includes:

- **Product Support** – Data sheets and errata, application notes and sample programs, design resources, user's guides and hardware support documents, latest software releases and archived software
- **General Technical Support** – Frequently Asked Questions (FAQs), technical support requests, online discussion groups, Microchip design partner program member listing
- **Business of Microchip** – Product selector and ordering guides, latest Microchip press releases, listing of seminars and events, listings of Microchip sales offices, distributors and factory representatives

---

## Product Change Notification Service

---

Microchip's product change notification service helps keep customers current on Microchip products. Subscribers will receive email notification whenever there are changes, updates, revisions or errata related to a specified product family or development tool of interest.

To register, go to <http://www.microchip.com/pcn> and follow the registration instructions.

---

## Customer Support

---

Users of Microchip products can receive assistance through several channels:

- Distributor or Representative
- Local Sales Office
- Embedded Solutions Engineer (ESE)
- Technical Support

Customers should contact their distributor, representative or ESE for support. Local sales offices are also available to help customers. A listing of sales offices and locations is included in this document.

Technical support is available through the website at: <http://www.microchip.com/support>

---

## Microchip Devices Code Protection Feature

---

Note the following details of the code protection feature on Microchip devices:

- Microchip products meet the specification contained in their particular Microchip Data Sheet.
- Microchip believes that its family of products is one of the most secure families of its kind on the market today, when used in the intended manner and under normal conditions.
- There are dishonest and possibly illegal methods used to breach the code protection feature. All of these methods, to our knowledge, require using the Microchip products in a manner outside the operating specifications contained in Microchip's Data Sheets. Most likely, the person doing so is engaged in theft of intellectual property.
- Microchip is willing to work with the customer who is concerned about the integrity of their code.
- Neither Microchip nor any other semiconductor manufacturer can guarantee the security of their code. Code protection does not mean that we are guaranteeing the product as "unbreakable."

Code protection is constantly evolving. We at Microchip are committed to continuously improving the code protection features of our products. Attempts to break Microchip's code protection feature may be a violation of the Digital Millennium Copyright Act. If such acts allow unauthorized access to your software or other copyrighted work, you may have a right to sue for relief under that Act.

---

## Legal Notice

---

Information contained in this publication regarding device applications and the like is provided only for your convenience and may be superseded by updates. It is your responsibility to ensure that your application meets with

---

your specifications. MICROCHIP MAKES NO REPRESENTATIONS OR WARRANTIES OF ANY KIND WHETHER EXPRESS OR IMPLIED, WRITTEN OR ORAL, STATUTORY OR OTHERWISE, RELATED TO THE INFORMATION, INCLUDING BUT NOT LIMITED TO ITS CONDITION, QUALITY, PERFORMANCE, MERCHANTABILITY OR FITNESS FOR PURPOSE. Microchip disclaims all liability arising from this information and its use. Use of Microchip devices in life support and/or safety applications is entirely at the buyer's risk, and the buyer agrees to defend, indemnify and hold harmless Microchip from any and all damages, claims, suits, or expenses resulting from such use. No licenses are conveyed, implicitly or otherwise, under any Microchip intellectual property rights unless otherwise stated.

## Trademarks

---

The Microchip name and logo, the Microchip logo, Adaptec, AnyRate, AVR, AVR logo, AVR Freaks, BesTime, BitCloud, chipKIT, chipKIT logo, CryptoMemory, CryptoRF, dsPIC, FlashFlex, flexPWR, HELDO, IGLOO, JukeBlox, KeeLoq, Kleer, LANCheck, LinkMD, maXStylus, maXTouch, MediaLB, megaAVR, Microsemi, Microsemi logo, MOST, MOST logo, MPLAB, OptoLyzer, PackeTime, PIC, picoPower, PICSTART, PIC32 logo, PolarFire, Prochip Designer, QTouch, SAM-BA, SenGenuity, SpyNIC, SST, SST Logo, SuperFlash, Symmetricom, SyncServer, Tachyon, TempTrackr, TimeSource, tinyAVR, UNI/O, Vectron, and XMEGA are registered trademarks of Microchip Technology Incorporated in the U.S.A. and other countries.

APT, ClockWorks, The Embedded Control Solutions Company, EtherSynch, FlashTec, Hyper Speed Control, HyperLight Load, IntelliMOS, Libero, motorBench, mTouch, Powermite 3, Precision Edge, ProASIC, ProASIC Plus, ProASIC Plus logo, Quiet-Wire, SmartFusion, SyncWorld, Temux, TimeCesium, TimeHub, TimePictra, TimeProvider, Vite, WinPath, and ZL are registered trademarks of Microchip Technology Incorporated in the U.S.A.

Adjacent Key Suppression, AKS, Analog-for-the-Digital Age, Any Capacitor, AnyIn, AnyOut, BlueSky, BodyCom, CodeGuard, CryptoAuthentication, CryptoAutomotive, CryptoCompanion, CryptoController, dsPICDEM, dsPICDEM.net, Dynamic Average Matching, DAM, ECAN, EtherGREEN, In-Circuit Serial Programming, ICSP, INICnet, Inter-Chip Connectivity, JitterBlocker, KleerNet, KleerNet logo, memBrain, Mindi, MiWi, MPASM, MPF, MPLAB Certified logo, MPLIB, MPLINK, MultiTRAK, NetDetach, Omniscient Code Generation, PICDEM, PICDEM.net, PICkit, PICtail, PowerSmart, PureSilicon, QMatrix, REAL ICE, Ripple Blocker, SAM-ICE, Serial Quad I/O, SMART-I.S., SQI, SuperSwitcher, SuperSwitcher II, Total Endurance, TSHARC, USBCheck, VariSense, ViewSpan, WiperLock, Wireless DNA, and ZENA are trademarks of Microchip Technology Incorporated in the U.S.A. and other countries.

SQTP is a service mark of Microchip Technology Incorporated in the U.S.A.

The Adaptec logo, Frequency on Demand, Silicon Storage Technology, and Symmcom are registered trademarks of Microchip Technology Inc. in other countries.

GestIC is a registered trademark of Microchip Technology Germany II GmbH & Co. KG, a subsidiary of Microchip Technology Inc., in other countries.

All other trademarks mentioned herein are property of their respective companies.

© 2019, Microchip Technology Incorporated, Printed in the U.S.A., All Rights Reserved.

ISBN: 978-1-5224-5086-3

## Quality Management System

---

For information regarding Microchip's Quality Management Systems, please visit <http://www.microchip.com/quality>.

## Worldwide Sales and Service

AMERICAS	ASIA/PACIFIC	ASIA/PACIFIC	EUROPE
<p><b>Corporate Office</b> 2355 West Chandler Blvd. Chandler, AZ 85224-6199 Tel: 480-792-7200 Tel: 480-792-7277 Technical Support: <a href="http://www.microchip.com/support">http://www.microchip.com/support</a> Web Address: <a href="http://www.microchip.com">http://www.microchip.com</a></p> <p><b>Atlanta</b> Duluth, GA Tel: 678-957-9614 Fax: 678-957-1455</p> <p><b>Austin, TX</b> Tel: 512-257-3370</p> <p><b>Boston</b> Westborough, MA Tel: 774-760-0087 Fax: 774-760-0088</p> <p><b>Chicago</b> Itasca, IL Tel: 630-285-0071 Fax: 630-285-0075</p> <p><b>Dallas</b> Addison, TX Tel: 972-818-7423 Fax: 972-818-2924</p> <p><b>Detroit</b> Novi, MI Tel: 248-848-4000</p> <p><b>Houston, TX</b> Tel: 281-894-5983</p> <p><b>Indianapolis</b> Noblesville, IN Tel: 317-773-8323 Fax: 317-773-5453 Tel: 317-536-2380</p> <p><b>Los Angeles</b> Mission Viejo, CA Tel: 949-462-9523 Fax: 949-462-9608 Tel: 951-273-7800</p> <p><b>Raleigh, NC</b> Tel: 919-844-7510</p> <p><b>New York, NY</b> Tel: 631-435-6000</p> <p><b>San Jose, CA</b> Tel: 408-735-9110 Tel: 408-436-4270</p> <p><b>Canada - Toronto</b> Tel: 905-695-1980 Fax: 905-695-2078</p>	<p><b>Australia - Sydney</b> Tel: 61-2-9868-6733</p> <p><b>China - Beijing</b> Tel: 86-10-8569-7000</p> <p><b>China - Chengdu</b> Tel: 86-28-8665-5511</p> <p><b>China - Chongqing</b> Tel: 86-23-8980-9588</p> <p><b>China - Dongguan</b> Tel: 86-769-8702-9880</p> <p><b>China - Guangzhou</b> Tel: 86-20-8755-8029</p> <p><b>China - Hangzhou</b> Tel: 86-571-8792-8115</p> <p><b>China - Hong Kong SAR</b> Tel: 852-2943-5100</p> <p><b>China - Nanjing</b> Tel: 86-25-8473-2460</p> <p><b>China - Qingdao</b> Tel: 86-532-8502-7355</p> <p><b>China - Shanghai</b> Tel: 86-21-3326-8000</p> <p><b>China - Shenyang</b> Tel: 86-24-2334-2829</p> <p><b>China - Shenzhen</b> Tel: 86-755-8864-2200</p> <p><b>China - Suzhou</b> Tel: 86-186-6233-1526</p> <p><b>China - Wuhan</b> Tel: 86-27-5980-5300</p> <p><b>China - Xian</b> Tel: 86-29-8833-7252</p> <p><b>China - Xiamen</b> Tel: 86-592-2388138</p> <p><b>China - Zhuhai</b> Tel: 86-756-3210040</p>	<p><b>India - Bangalore</b> Tel: 91-80-3090-4444</p> <p><b>India - New Delhi</b> Tel: 91-11-4160-8631</p> <p><b>India - Pune</b> Tel: 91-20-4121-0141</p> <p><b>Japan - Osaka</b> Tel: 81-6-6152-7160</p> <p><b>Japan - Tokyo</b> Tel: 81-3-6880-3770</p> <p><b>Korea - Daegu</b> Tel: 82-53-744-4301</p> <p><b>Korea - Seoul</b> Tel: 82-2-554-7200</p> <p><b>Malaysia - Kuala Lumpur</b> Tel: 60-3-7651-7906</p> <p><b>Malaysia - Penang</b> Tel: 60-4-227-8870</p> <p><b>Philippines - Manila</b> Tel: 63-2-634-9065</p> <p><b>Singapore</b> Tel: 65-6334-8870</p> <p><b>Taiwan - Hsin Chu</b> Tel: 886-3-577-8366</p> <p><b>Taiwan - Kaohsiung</b> Tel: 886-7-213-7830</p> <p><b>Taiwan - Taipei</b> Tel: 886-2-2508-8600</p> <p><b>Thailand - Bangkok</b> Tel: 66-2-694-1351</p> <p><b>Vietnam - Ho Chi Minh</b> Tel: 84-28-5448-2100</p>	<p><b>Austria - Wels</b> Tel: 43-7242-2244-39 Fax: 43-7242-2244-393</p> <p><b>Denmark - Copenhagen</b> Tel: 45-4450-2828 Fax: 45-4485-2829</p> <p><b>Finland - Espoo</b> Tel: 358-9-4520-820</p> <p><b>France - Paris</b> Tel: 33-1-69-53-63-20 Fax: 33-1-69-30-90-79</p> <p><b>Germany - Garching</b> Tel: 49-8931-9700</p> <p><b>Germany - Haan</b> Tel: 49-2129-3766400</p> <p><b>Germany - Heilbronn</b> Tel: 49-7131-72400</p> <p><b>Germany - Karlsruhe</b> Tel: 49-721-625370</p> <p><b>Germany - Munich</b> Tel: 49-89-627-144-0 Fax: 49-89-627-144-44</p> <p><b>Germany - Rosenheim</b> Tel: 49-8031-354-560</p> <p><b>Israel - Ra'anana</b> Tel: 972-9-744-7705</p> <p><b>Italy - Milan</b> Tel: 39-0331-742611 Fax: 39-0331-466781</p> <p><b>Italy - Padova</b> Tel: 39-049-7625286</p> <p><b>Netherlands - Drunen</b> Tel: 31-416-690399 Fax: 31-416-690340</p> <p><b>Norway - Trondheim</b> Tel: 47-72884388</p> <p><b>Poland - Warsaw</b> Tel: 48-22-3325737</p> <p><b>Romania - Bucharest</b> Tel: 40-21-407-87-50</p> <p><b>Spain - Madrid</b> Tel: 34-91-708-08-90 Fax: 34-91-708-08-91</p> <p><b>Sweden - Gothenberg</b> Tel: 46-31-704-60-40</p> <p><b>Sweden - Stockholm</b> Tel: 46-8-5090-4654</p> <p><b>UK - Wokingham</b> Tel: 44-118-921-5800 Fax: 44-118-921-5820</p>

## X-ON Electronics

Largest Supplier of Electrical and Electronic Components

*Click to view similar products for [Security/Authentication Development Tools](#) category:*

*Click to view products by [Microchip](#) manufacturer:*

Other Similar products are found below :

[MAX16984EVKIT#](#) [MAXREFDES132#](#) [DS28E25EVKIT#](#) [MAX20010EVKIT#](#) [MAX15068EVKIT#](#) [MAX98091EVKIT#TQFN](#) [IPL-003WR](#) [ATCRYPTOAUTH-XPRO](#) [BLOCKCHAINSTARTKITTOBO1](#) [IRID9670TPM12LINUXTOBO1](#)  
[OPTIGATRUSTEEVALKITTOBO1](#) [MAX66240EVKIT#](#) [MAXAUTHDEMO1#](#) [DS28C16EVKIT#](#) [DS28C39EVKIT#](#) [DS28C40EVKIT#](#)  
[DS28C50EVKIT#](#) [DS28E15EVKIT#](#) [DS28E16EVKIT#](#) [DS28E22EVKIT#](#) [DS28E39EVKIT#](#) [DS28E50EVKIT#](#) [DS28E83EVKIT#](#)  
[DS28E84EVKIT#](#) [DS28EL15EVKIT#](#) [MAXREFDES143#](#) [MAXREFDES43#](#) [MAXREFDES44#](#) [AT88CK590](#) [AT88CKECC-AWS-XSTK-B](#) [ATCRYPTOAUTH-XPRO-B](#) [DM320109](#) [DM320118](#) [DT100104](#) [MIKROE-3746](#) [MIKROE-3774](#) [MIKROE-3915](#) [MIKROE-4236](#)  
[MIKROE-1819](#) [MIKROE-2829](#) [MIKROE-3045](#) [OM3710/A71CHARD](#) [OM-SE050ARD](#) [102010288](#) [AT97SC3205P-SDK2](#) [AT97SC3205T-SDK2](#) [ATECC108XPLAINED](#) [MAXREFDES34#](#) [DS28E38EVKIT#](#) [AT88CKECC-AWS-XSTK](#)