

## High Performance Differential MEMS Oscillators

### Features

- Very Low RMS Phase Jitter: <650 fs (typ.)
- High Stability:  $\pm 20$  ppm,  $\pm 25$  ppm,  $\pm 50$  ppm
- Wide Temperature Range:
  - Automotive:  $-40^{\circ}\text{C}$  to  $+125^{\circ}\text{C}$  (DSC12x LVDS Only)
  - Ext. Industrial:  $-40^{\circ}\text{C}$  to  $+105^{\circ}\text{C}$
  - Industrial:  $-40^{\circ}\text{C}$  to  $+85^{\circ}\text{C}$
  - Commercial:  $-20^{\circ}\text{C}$  to  $+70^{\circ}\text{C}$
- Supports LVPECL, LVDS, or HCSL Differential Outputs
- PCIe Gen1-5 Compliant Output
- Wide Frequency Range: 2.5 MHz to 450 MHz
- Small Industry Standard Footprints:
  - 2.5 mm x 2.0 mm
  - 3.2 mm x 2.5 mm
  - 5.0 mm x 3.2 mm
  - 7.0 mm x 5.0 mm
- Excellent Shock and Vibration Immunity
  - Qualified to MIL-STD-883
- High Reliability
  - 20x Better MTF than Quartz Oscillators
- Supply Range of 2.25 to 3.6V
- Standby, Frequency Select, and Output Enable Functions
- Lead-Free and RoHS Compliant

### Applications

- Storage Area Networks
- Passive Optical Networks
- 10/100G Ethernet
- HD/SD/SDI Video and Surveillance
- PCI Express Gen 1/2/3/4
- Display Port

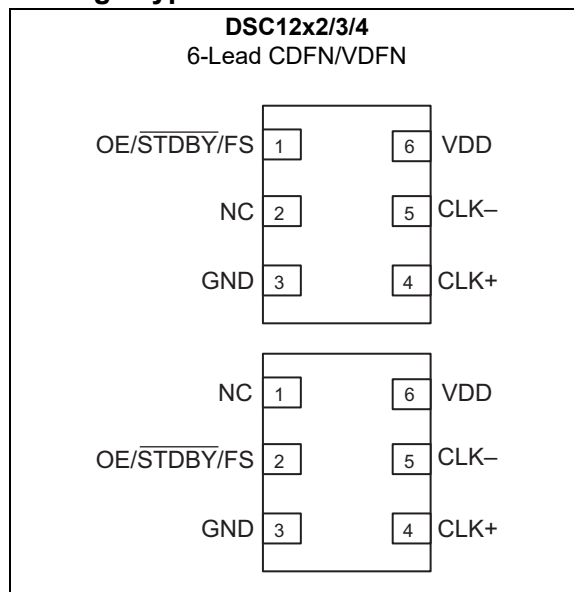
### General Description

The DSC12x2/3/4 family of high performance oscillators utilizes the latest generation of silicon MEMS technology that reduces close-in noise and provides excellent jitter and stability over a wide range of supply voltages and temperatures. By eliminating the need for quartz or SAW technology, MEMS oscillators significantly enhance reliability and accelerate product development, while meeting stringent clock performance criteria for a variety of communications, storage, and networking applications.

The DSC12x2/3/4 family features a control function on pin 1 or pin 2 that permits either a standby feature (complete power down when STDBY is low), output enable (output is tri-stated with OE low), or a frequency select (choice of two frequencies selected by FS high/low). See the Product Identification System section for detailed information.

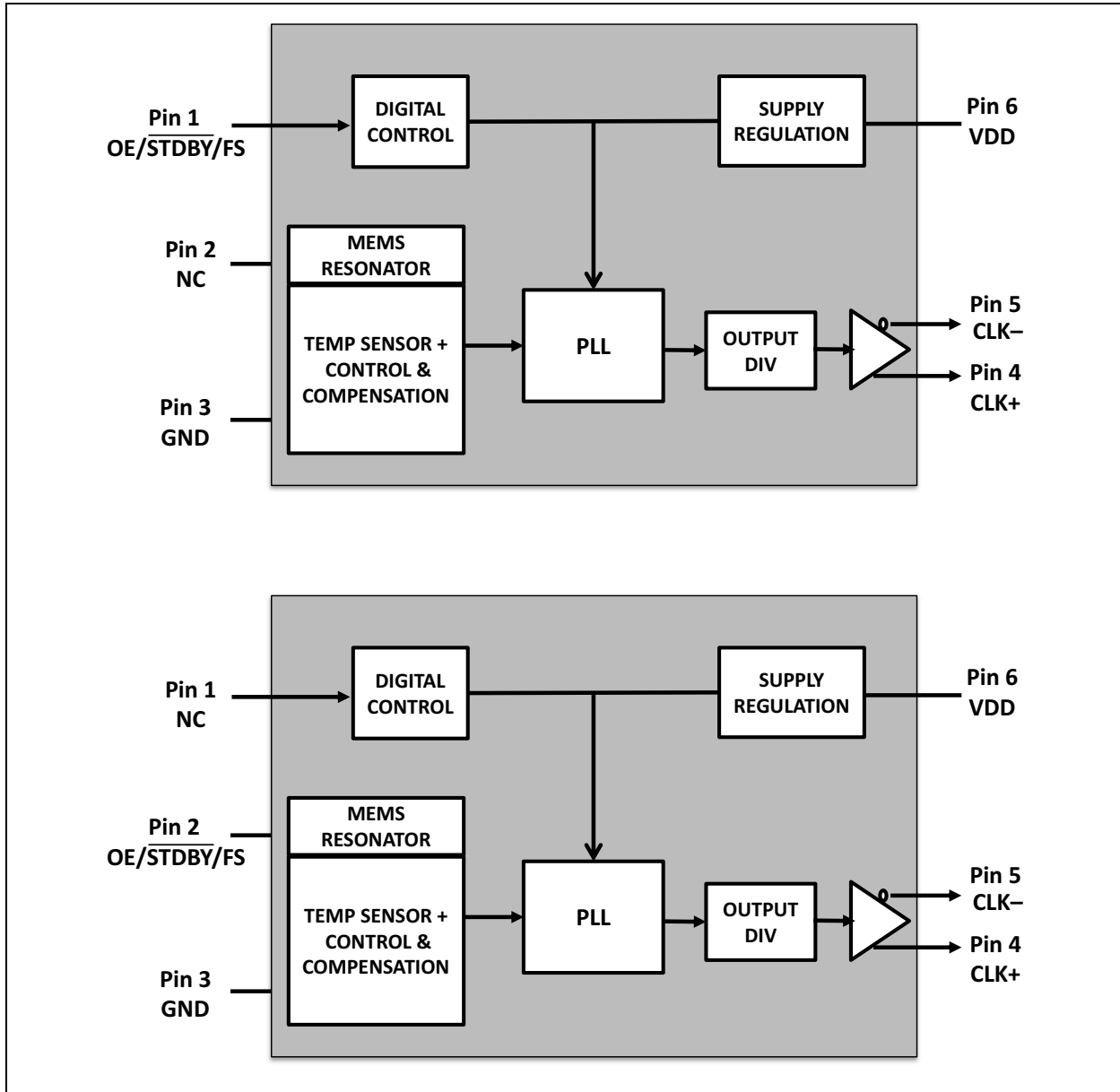
All oscillators are available in industry-standard packages, including the small 2.5 mm x 2.0 mm, and are “drop-in” replacements for standard 6-pin LVPECL/LVDS/HCSL crystal oscillators.

### Package Types



# DSC12X2/3/4

## Functional Block Diagrams



## 1.0 ELECTRICAL CHARACTERISTICS

### Absolute Maximum Ratings †

Supply Voltage .....	-0.3V to +4.0V
Input Voltage .....	-0.3V to $V_{DD} + 0.3V$
ESD Protection (HBM) .....	4 kV
ESD Protection (MM) .....	400V
ESD Protection (CDM) .....	1.5 kV

† **Notice:** Stresses above those listed under “Absolute Maximum Ratings” may cause permanent damage to the device. This is a stress rating only and functional operation of the device at those or any other conditions above those indicated in the operational sections of this specification is not intended. Exposure to maximum rating conditions for extended periods may affect device reliability.

### ELECTRICAL CHARACTERISTICS

**Electrical Characteristics:**  $V_{DD} = 2.5V \pm 10\%$  or  $3.3V \pm 10\%$ ;  $T_A = -40^\circ C$  to  $+105^\circ C$ , unless noted.

Parameters	Sym.	Min.	Typ.	Max.	Units	Conditions
Supply Voltage	$V_{DD}$	2.25	—	3.63	V	Note 1
Supply Current	$I_{DD}$	—	50	—	mA	LVPECL, $f_{OUT} = 100$ MHz
		—	32	—		LVDS, $f_{OUT} = 100$ MHz
		—	40	—		HCSL, $f_{OUT} = 100$ MHz
		—	23	—		Output disabled (tri-state), $f_{OUT} = 100$ MHz
Standby Current	$I_{STDBY\_}$	—	2.5	5	$\mu A$	Input pin = $\overline{STDBY}$ = Asserted, ( $V_{DD} = 3.3V$ )
Frequency Stability	$\Delta f$	—	—	$\pm 20$	ppm	Includes frequency variations due to initial tolerance, temp., and power supply voltage
		—	—	$\pm 25$		
		—	—	$\pm 50$		
Aging	$\Delta f$	—	—	$\pm 5$	ppm	First year @ $25^\circ C$
		—	—	$\pm 1$		Per year after first year
Startup Time	$t_{SU}$	—	5.5	6	ms	From 90% $V_{DD}$ to valid clock output, $T = +25^\circ C$ , Note 2
Input Logic Levels	$V_{IH}$	$0.75 \times V_{DD}$	—	—	V	Input logic high
	$V_{IL}$	—	—	$0.25 \times V_{DD}$		Input logic low
Output Disable Time	$t_{DA}$	—	—	25	ns	Note 3
Output Enable Time	$t_{EN}$	—	—	6	ms	$\overline{STDBY}$
		—	—	350	ns	OE
Enable Pull-Up Resistor	—	—	1.5	—	M $\Omega$	Pull-up resistor on pin 1, Note 4

**Note 1:**  $V_{DD}$  pin should be filtered with 0.1  $\mu F$  capacitor.

**2:**  $t_{SU}$  is time to 100 ppm stable output frequency after  $V_{DD}$  is applied and outputs are enabled.

**3:**  $t_{DA}$ : See the Output Waveforms and the Test Circuits sections for more information.

**4:** Output is enabled if pad is floated (not connected).

**5:** Jitter limits are established by Gen 1.1, Gen 2.1, and Gen 3.0 PCIe standards.

# DSC12X2/3/4

## ELECTRICAL CHARACTERISTICS (CONTINUED)

Electrical Characteristics:  $V_{DD} = 2.5V \pm 10\%$  or  $3.3V \pm 10\%$ ;  $T_A = -40^\circ C$  to  $+105^\circ C$ , unless noted.

Parameters	Sym.	Min.	Typ.	Max.	Units	Conditions
<b>LVPECL (DSC12x2)</b>						
Frequency	$f_0$	2.5	—	450	MHz	—
Output Logic Levels	$V_{OH}$	$V_{DD} - 1.145$	—	—	V	$R_L = 50\Omega$
	$V_{OL}$	—	—	$V_{DD} - 1.695$		
Peak-to-Peak Output Swing	$V_{PP}$	—	800	—	mV	Single-Ended
Output Transition Time	$t_R$	—	200	250	ps	20% to 80%, $R_L = 50\Omega$
	$t_F$	—	250	300		
Output Duty Cycle	SYM	48	—	52	%	Differential
Period Jitter RMS	$J_{PER}$	—	2.0	—	ps	$f_0 = 156.25$ MHz, 10k cycles
Period Jitter Peak-to-Peak	$J_{PTP}$	—	20	—	ps	$f_0 = 156.25$ MHz, 10k cycles
Integrated Phase Noise (Random)	$J_{PH}$	—	0.65	—	$PS_{RMS}$	12 kHz to 20 MHz @156.25 MHz
<b>LVDS (DSC12x3)</b>						
Frequency	$f_0$	2.3	—	450	MHz	—
Output Offset Voltage	$V_{OS}$	1.15	1.25	1.35	V	$R = 100\Omega$ Differential
Peak-to-Peak Output Swing	$V_{PP}$	250	350	150	mV	Single-Ended
Output Transition Time	$t_R$	120	170	220	ps	20% to 80%, $R_L = 100\Omega$
	$t_F$					
Output Duty Cycle	SYM	40	—	52	%	Differential
Period Jitter RMS	$J_{PER}$	—	2.5	—	ps	$f_0 = 156.25$ MHz, 10k cycles
Period Jitter Peak-to-Peak	$J_{PTP}$	—	20	—	ps	$f_0 = 156.25$ MHz, 10k cycles
Period Jitter RMS	$J_{PER}$	—	3	—	ps	$f_0 = 156.25$ MHz, $T_A = -40^\circ C$ to $+125^\circ C$
Period Jitter Peak-to-Peak	$J_{PTP}$	—	25	—	ps	$f_0 = 156.25$ MHz, $T_A = -40^\circ C$ to $+125^\circ C$
Integrated Phase Noise (Random)	$J_{PH}$	—	0.65	—	$PS_{RMS}$	12 kHz to 20 MHz @156.25 MHz, $T_A = -40^\circ C$ to $+105^\circ C$
		—	0.9	—		2 kHz to 20 MHz @156.25 MHz, $T_A = -40^\circ C$ to $+105^\circ C$
<b>HCSL (DSC12x4)</b>						
Frequency	$f_0$	2.3	—	450	MHz	—
Output Logic Levels	$V_{OH}$	0.64	—	—	V	$R_L = 50\Omega$
	$V_{OL}$	—	—	0.1		

**Note 1:**  $V_{DD}$  pin should be filtered with 0.1  $\mu F$  capacitor.

**2:**  $t_{SU}$  is time to 100 ppm stable output frequency after  $V_{DD}$  is applied and outputs are enabled.

**3:**  $t_{DA}$ : See the Output Waveforms and the Test Circuits sections for more information.

**4:** Output is enabled if pad is floated (not connected).

**5:** Jitter limits are established by Gen 1.1, Gen 2.1, and Gen 3.0 PCIe standards.

## ELECTRICAL CHARACTERISTICS (CONTINUED)

Electrical Characteristics:  $V_{DD} = 2.5V \pm 10\%$  or  $3.3V \pm 10\%$ ;  $T_A = -40^\circ\text{C}$  to  $+105^\circ\text{C}$ , unless noted.

Parameters	Sym.	Min.	Typ.	Max.	Units	Conditions
Peak-to-Peak Output Swing	$V_{PP}$	—	750	—	mV	Single-Ended
Output Transition Time	$t_R$	200	260	400	ps	20% to 80%, $R_L = 50\Omega$
	$t_F$	250	370	500		
Output Duty Cycle	SYM	48	—	52	%	Differential
Period Jitter RMS	$J_{PER}$	—	2	—	ps	$f_0 = 100.00$ MHz, 10k cycles
Period Jitter Peak-to-Peak	$J_{PTP}$	—	16	—	ps	$f_0 = 100.00$ MHz, 10k cycles
Integrated Phase Noise (Random)	$J_{PH}$	—	0.617	—	pSRMS	12 kHz to 20 MHz @100 MHz $T_A = -40^\circ\text{C}$ to $+105^\circ\text{C}$
		—	0.460	—		100 kHz to 20 MHz @100 MHz $T_A = -40^\circ\text{C}$ to $+105^\circ\text{C}$
		—	0.212	—		1.875 MHz to 20 MHz @100 MHz $T_A = -40^\circ\text{C}$ to $+105^\circ\text{C}$
Phase Jitter	$T_J$	—	3.42	86	pSPP	PCIe Gen 1.1, $T_J = D_J + 14.069 \times R_J$ (BER $10^{-12}$ ), <a href="#">Note 5</a>
	$J_{RMS-CCHF}$	—	0.247	3.1	pSRMS	PCIe Gen 2.1, 1.5 MHz to Nyquist, <a href="#">Note 5</a>
	$J_{RMS-CCHF}$	—	0.08	3.0	pSRMS	PCIeGen2.1, 10 kHz to 1.5 MHz, <a href="#">Note 5</a>
	$J_{RMS-CC}$	—	0.107	1.0	pSRMS	PCIe Gen 3.0, <a href="#">Note 5</a>
		—	0.107	0.30		PCIe Gen 4.0, 16 GHz
		—	0.043	0.12		PCIe Gen 5.0, 32 GHz

- Note 1:**  $V_{DD}$  pin should be filtered with 0.1  $\mu\text{F}$  capacitor.
- 2:**  $t_{SU}$  is time to 100 ppm stable output frequency after  $V_{DD}$  is applied and outputs are enabled.
- 3:**  $t_{DA}$ : See the Output Waveforms and the Test Circuits sections for more information.
- 4:** Output is enabled if pad is floated (not connected).
- 5:** Jitter limits are established by Gen 1.1, Gen 2.1, and Gen 3.0 PCIe standards.

# DSC12X2/3/4

---

---

## TEMPERATURE SPECIFICATIONS (Note 1)

Parameters	Sym.	Min.	Typ.	Max.	Units	Conditions
<b>Temperature Ranges</b>						
Maximum Junction Temperature	$T_J$	—	—	+150	°C	—
Storage Temperature Range	$T_S$	-55	—	+150	°C	—
Lead Temperature	—	—	—	+260	°C	Soldering, 40 sec.

**Note 1:** The maximum allowable power dissipation is a function of ambient temperature, the maximum allowable junction temperature and the thermal resistance from junction to air (i.e.,  $T_A$ ,  $T_J$ ,  $\theta_{JA}$ ). Exceeding the maximum allowable power dissipation will cause the device operating junction temperature to exceed the maximum +150°C rating. Sustained junction temperatures above +150°C can impact the device reliability.

## 2.0 PIN DESCRIPTIONS

The descriptions of the pins are listed in [Table 2-1](#) and [Table 2-2](#).

**TABLE 2-1: DSC120x/1x/2x PIN FUNCTION TABLE**

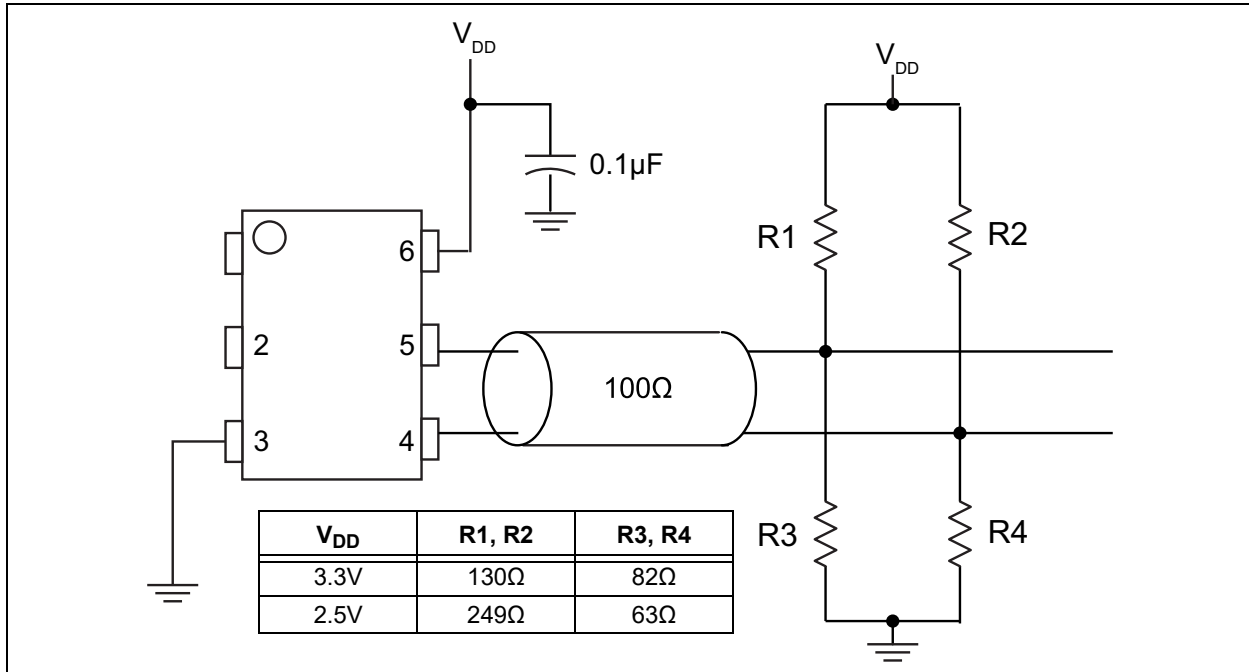
Pin Number	Pin Name	Description
1	OE/STDBY/FS	Control pin: Output enable/standby/frequency select.
2	NC	No connect.
3	GND	Power supply ground.
4	CLK+	Clock output +.
5	CLK-	Clock output -.
6	VDD	Power supply.

**TABLE 2-2: DSC123x/4x/5x PIN FUNCTION TABLE**

Pin Number	Pin Name	Description
1	NC	No connect.
2	OE/STDBY/FS	Control pin: Output enable/standby/frequency select.
3	GND	Power supply ground.
4	CLK+	Clock output +.
5	CLK-	Clock output -.
6	VDD	Power supply.

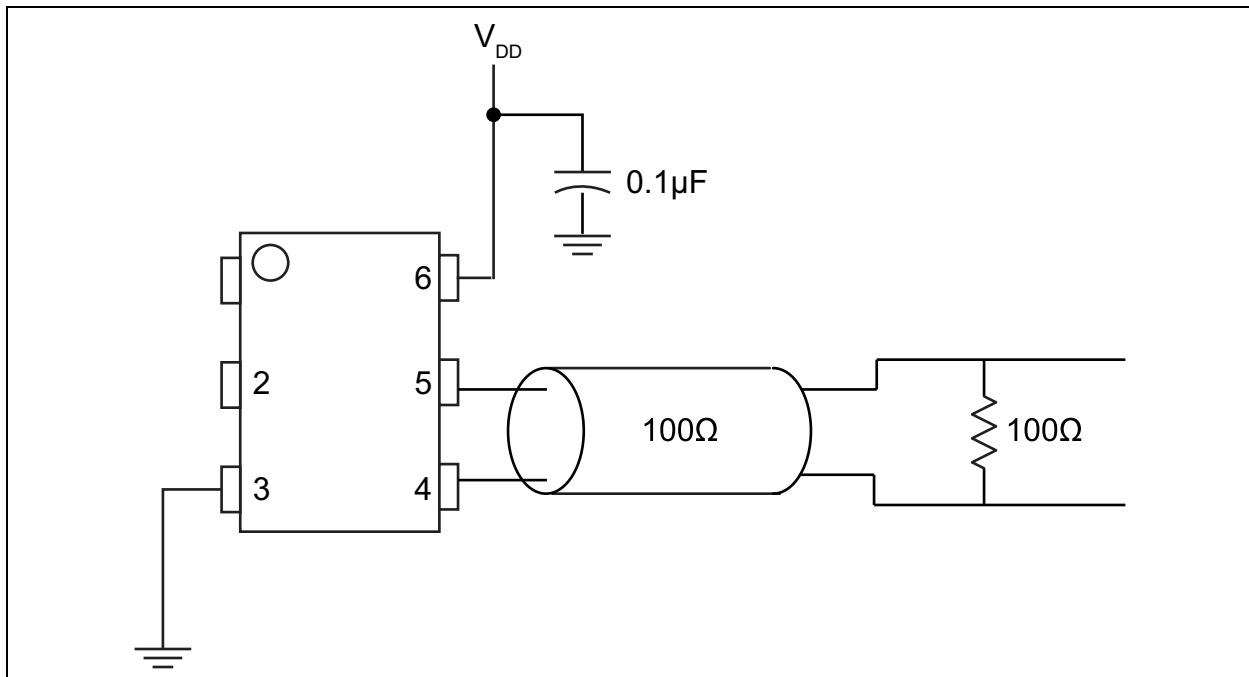
# DSC12X2/3/4

## 3.0 TERMINATION SCHEME



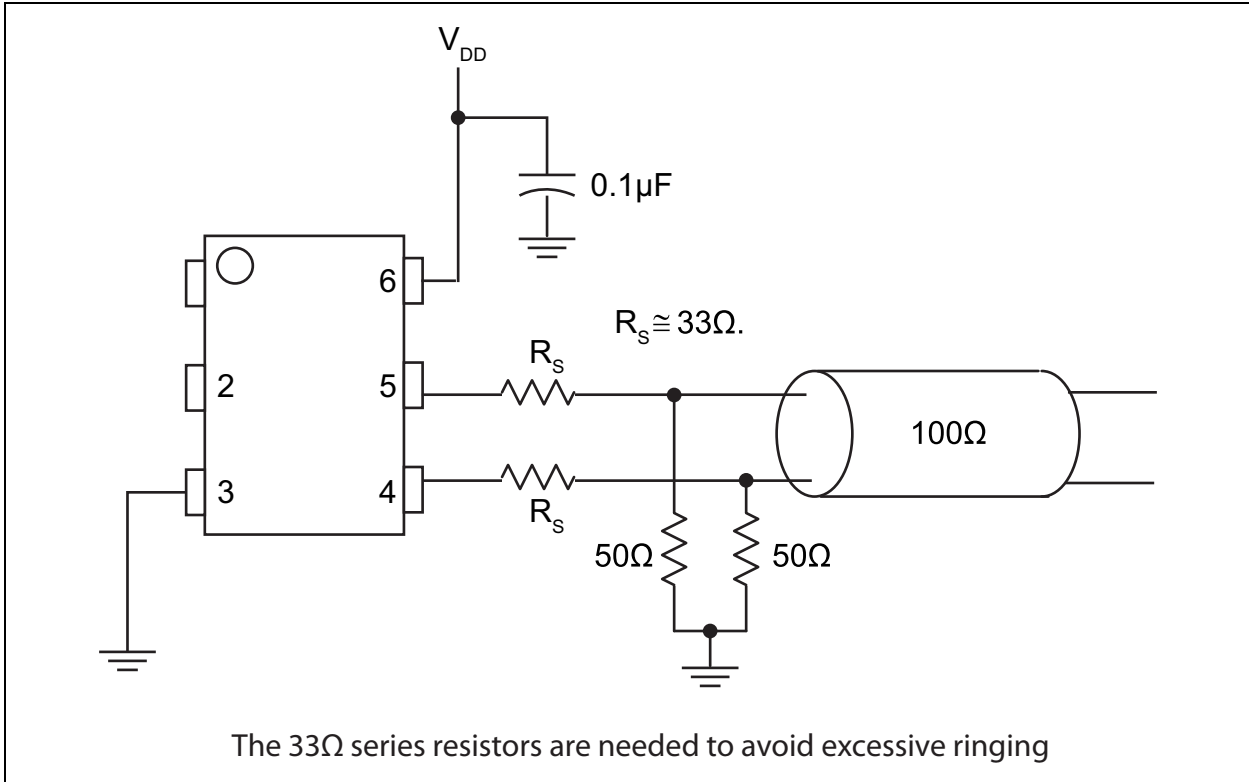
**FIGURE 3-1:** LVPECL Termination (DSC12x2).

In [Figure 3-1](#), Thevenin termination for 3.3V operation. Values will differ for  $V_{DD} = 2.5V$



**FIGURE 3-2:** LVDS Termination (DSC12x3).

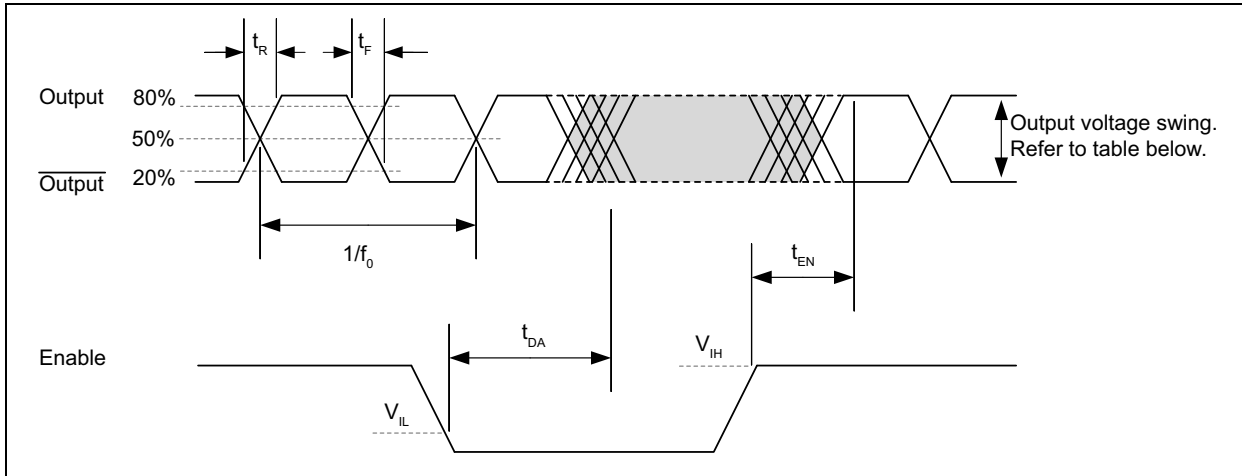




**FIGURE 3-3:** HCSL Termination (DSC12x4).

# DSC12X2/3/4

## 4.0 OUTPUT WAVEFORM

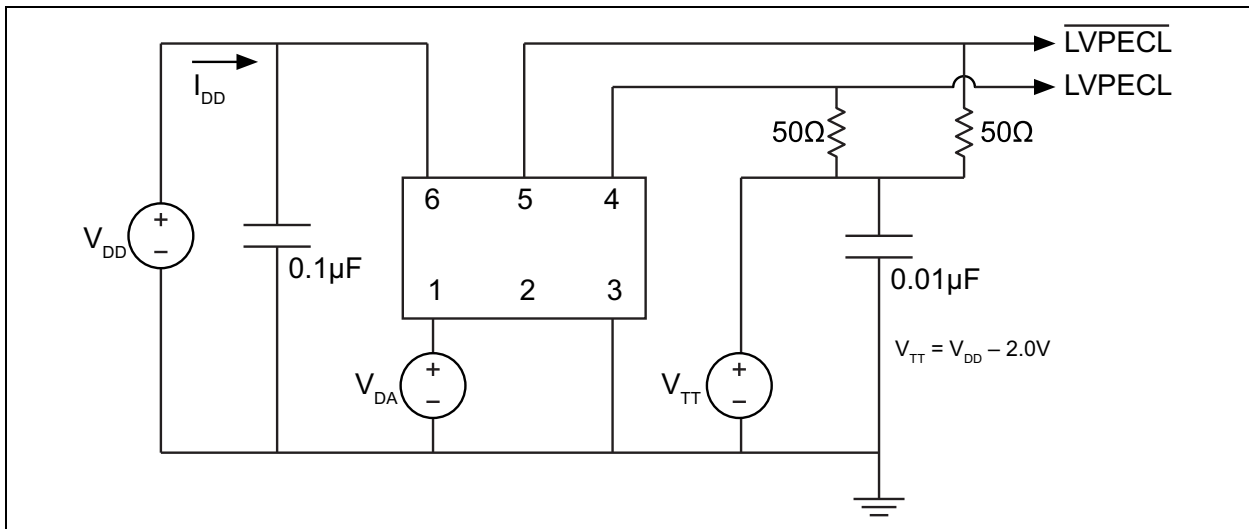


**FIGURE 4-1:** LVPECL, LVDS, and HCSL Output Waveform.

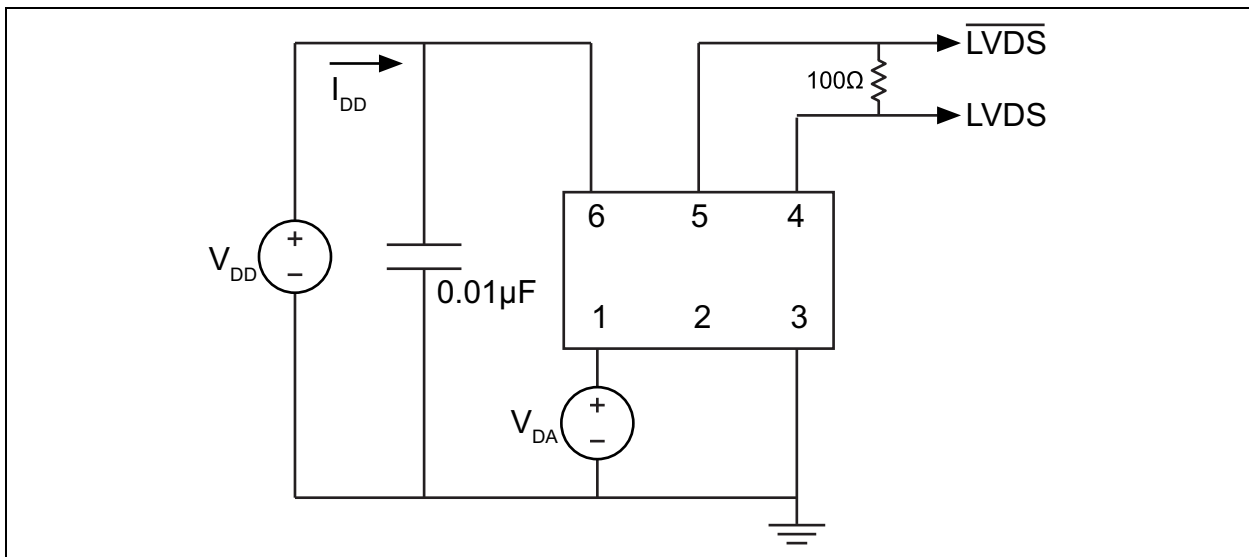
**TABLE 4-1: OUTPUT VOLTAGE SWING BY LOGIC TYPE**

Output Logic Protocol	Typical Peak-to-Peak Output Swing
LVPECL	830 mV
LVDS	350 mV
HCSL	675 mV

## 5.0 TEST CIRCUITS

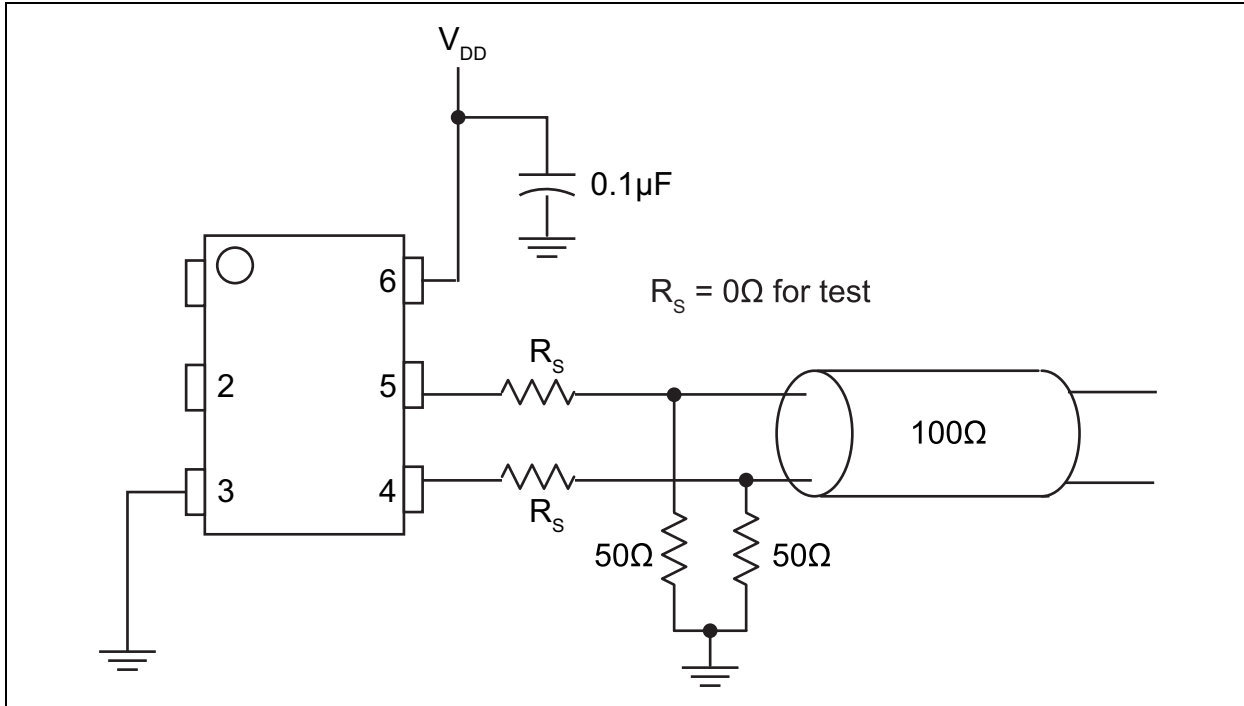


**FIGURE 5-1:** LVPECL Test Circuit.



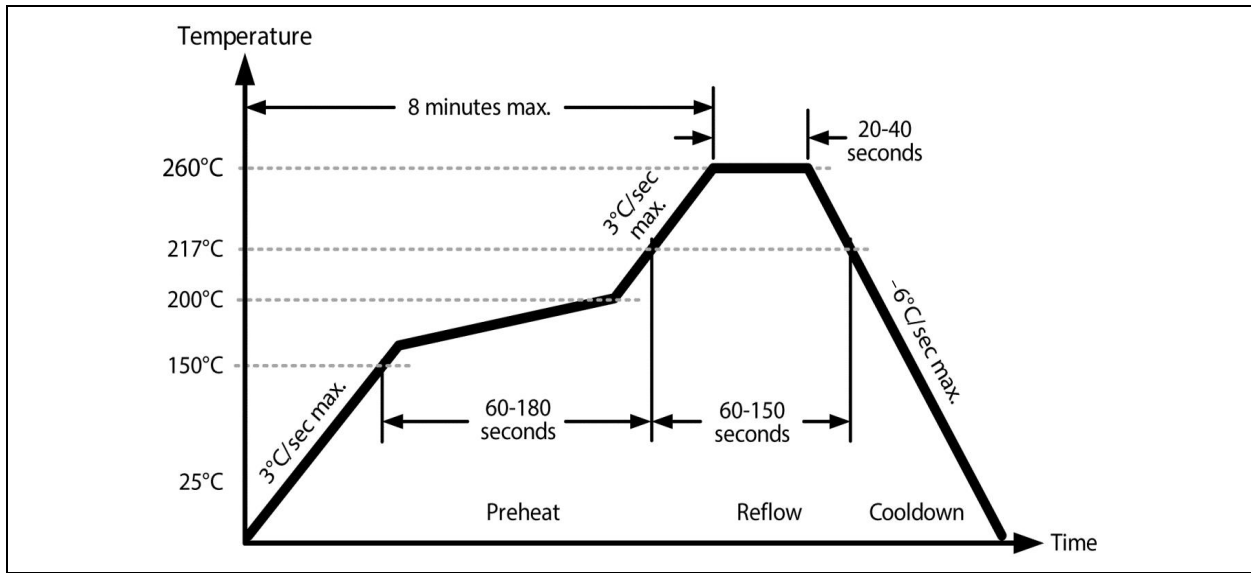
**FIGURE 5-2:** LVDS Test Circuit.

# DSC12X2/3/4



**FIGURE 5-3:** HCSL Test Circuit.

## 6.0 SOLDER REFLOW PROFILE



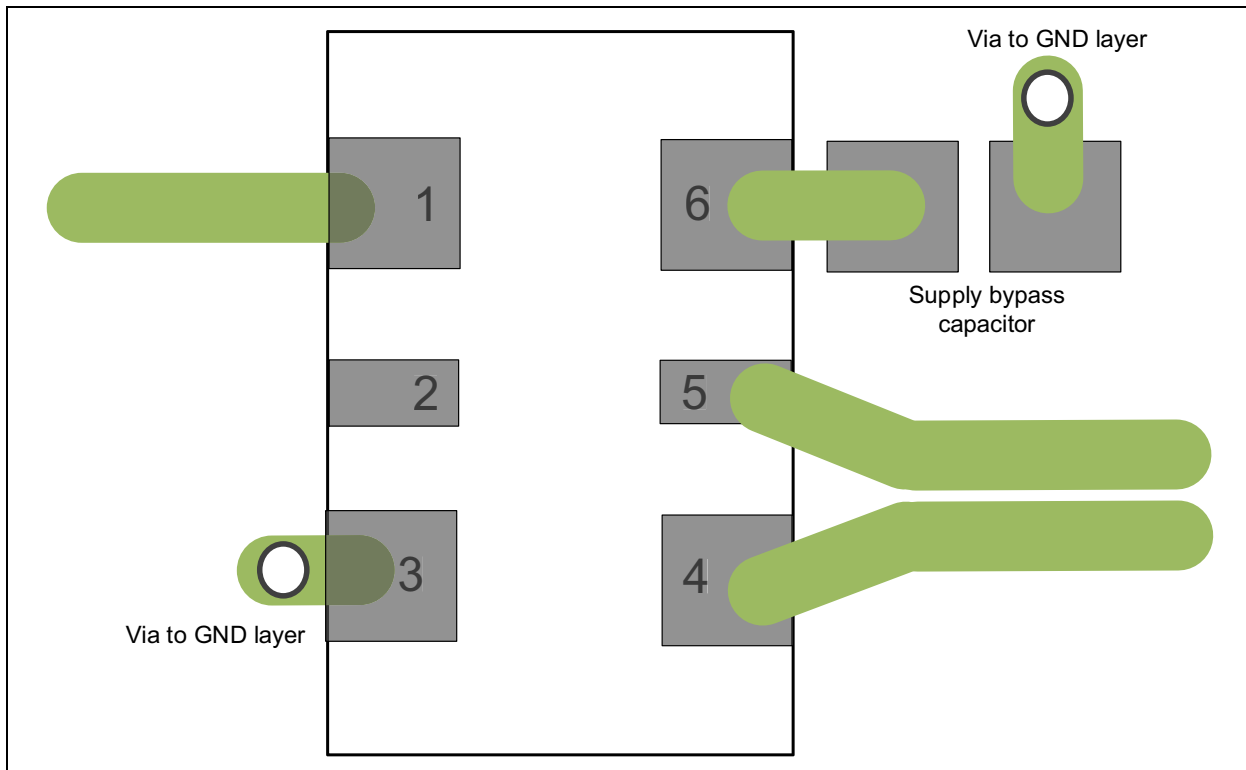
**FIGURE 6-1:** Solder Reflow Profile.

**TABLE 6-1: SOLDER REFLOW**

MSL 1 @ 260°C refer to JSTD-020C	
Ramp-Up Rate (200°C to Peak Temp)	3°C/Sec. Max.
Preheat Time 150°C to 200°C	60-180 Sec.
Time Maintained Above 217°C	60-150 Sec.
Peak Temperature	255°C to 260°C
Time within 5°C of Actual Peak	20-40 Sec.
Ramp-Down Rate	6°C/Sec. Max.
Time 25°C to Peak Temperature	8 minute Max.

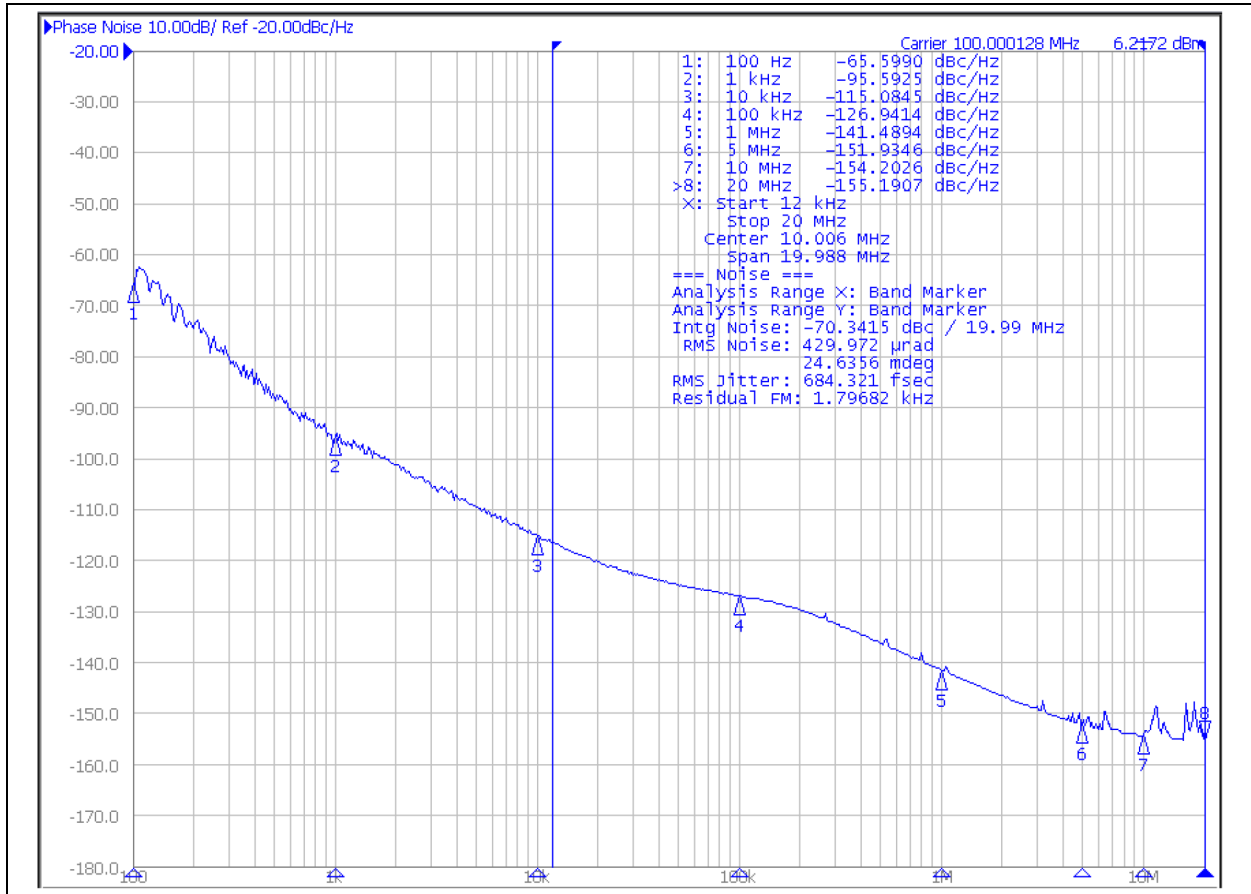
# DSC12X2/3/4

## 7.0 BOARD LAYOUT (RECOMMENDED)



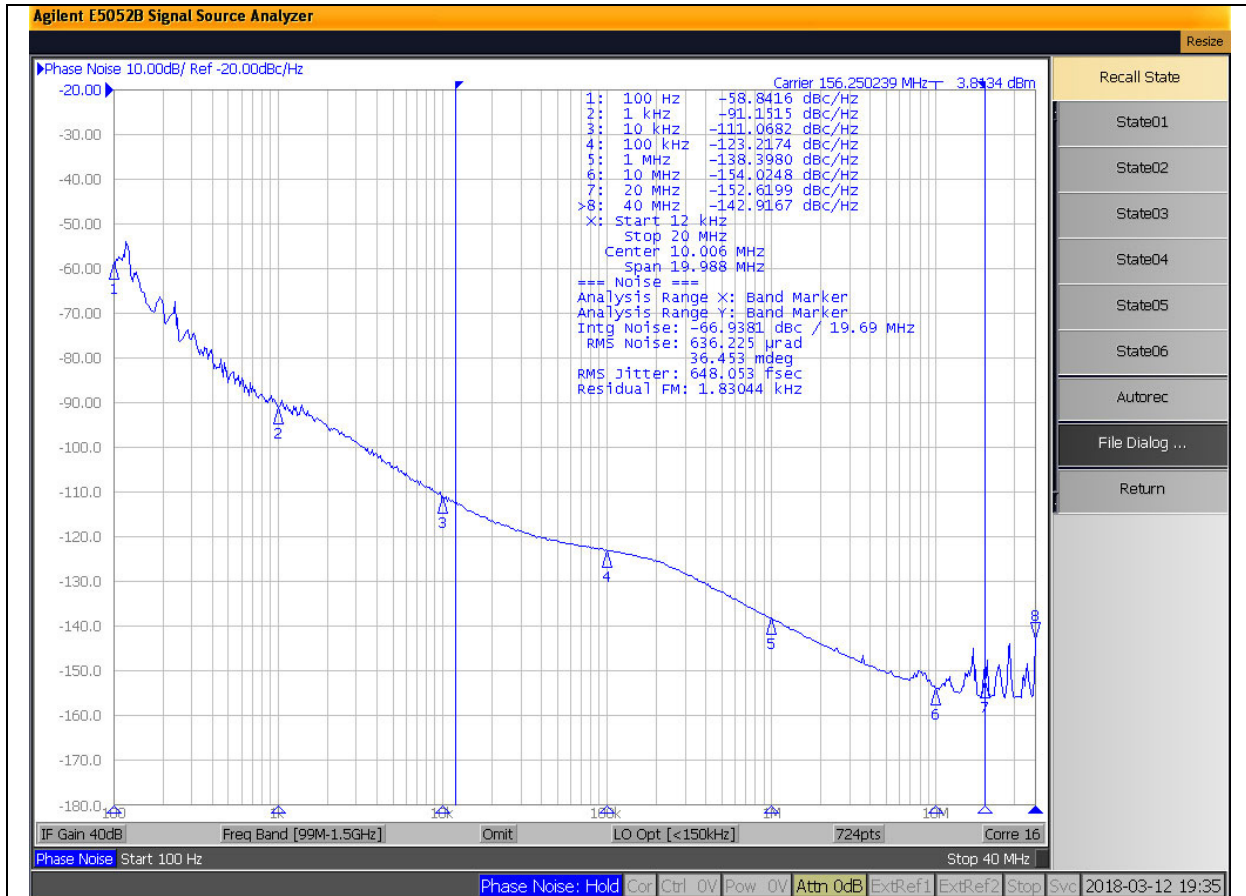
**FIGURE 7-1:** DSC12x2/3/4 Recommended Board Layout.

## 8.0 PHASE NOISE



**FIGURE 8-1:** DSC12x4 Phase Noise at 100 MHz.

# DSC12X2/3/4



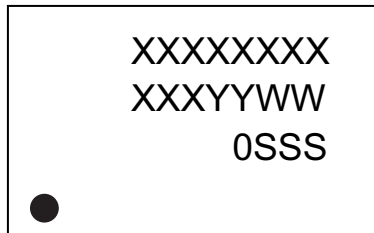
**FIGURE 8-2:** DSC12x2 Phase Noise at 156.25 MHz.



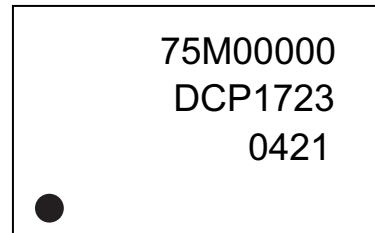
## 9.0 PACKAGING INFORMATION

### 9.1 Package Marking Information

6-Pin CDFN/VDFN\*



Example



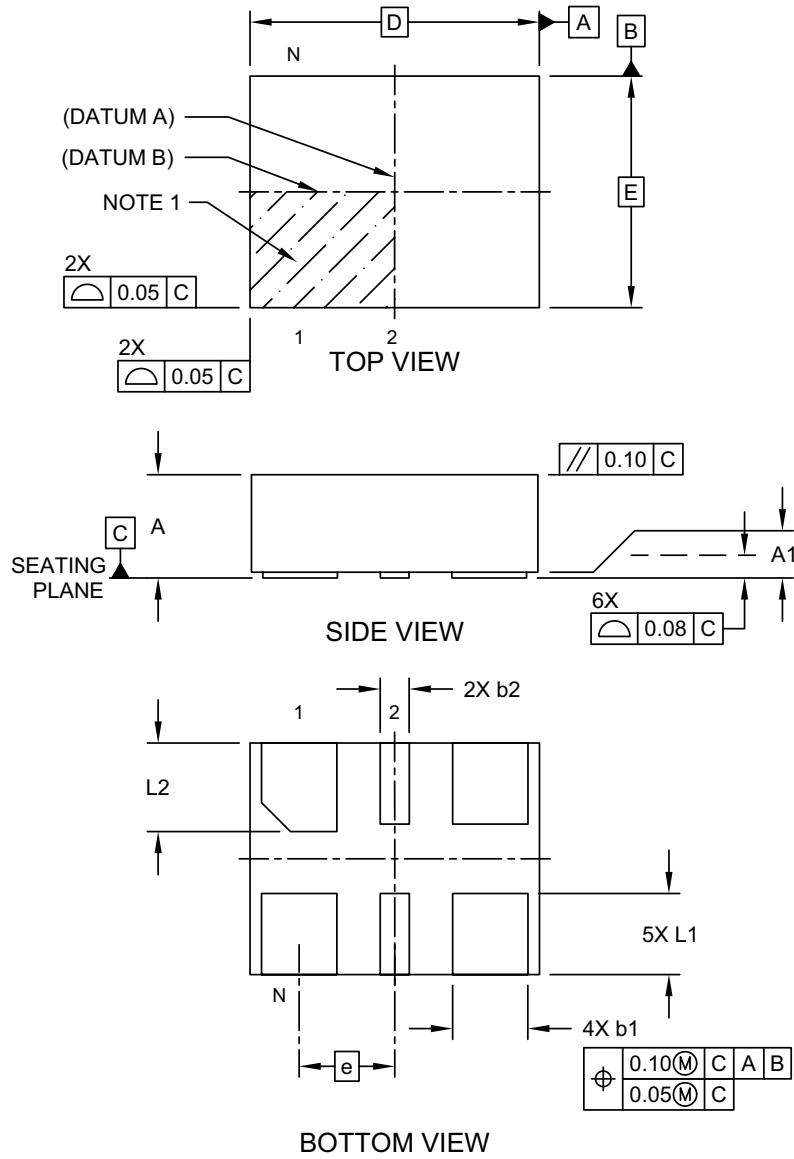
<b>Legend:</b>	XX...X	Product code, customer-specific information, or frequency in MHz without printed decimal point
	Y	Year code (last digit of calendar year)
	YY	Year code (last 2 digits of calendar year)
	WW	Week code (week of January 1 is week '01')
	SSS	Alphanumeric traceability code
	(e3)	Pb-free JEDEC® designator for Matte Tin (Sn)
	*	This package is Pb-free. The Pb-free JEDEC designator (e3) can be found on the outer packaging for this package.
	•, ▲, ▼	Pin one index is identified by a dot, delta up, or delta down (triangle)
<b>Note:</b>	In the event the full Microchip part number cannot be marked on one line, it will be carried over to the next line, thus limiting the number of available characters for customer-specific information. Package may or may not include the corporate logo.	
	Underbar (¯) and/or Overbar (¯) symbol may not be to scale.	

# DSC12X2/3/4

## 6-Lead VDFN 2.5 mm x 2.0 mm Package Outline and Recommended Land Pattern

### 6-Lead Very Thin Dual Flatpack No-Leads (J7A) - 2.5x2.0 mm Body [VDFN]

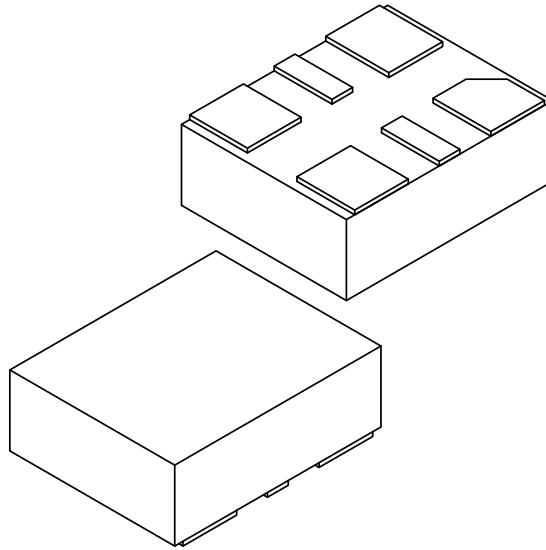
**Note:** For the most current package drawings, please see the Microchip Packaging Specification located at <http://www.microchip.com/packaging>



Microchip Technology Drawing C04-1005 Rev C Sheet 1 of 2

## 6-Lead Very Thin Dual Flatpack No-Leads (J7A) - 2.5x2.0 mm Body [VDFN]

**Note:** For the most current package drawings, please see the Microchip Packaging Specification located at <http://www.microchip.com/packaging>



Dimension Limits	Units	MILLIMETERS		
		MIN	NOM	MAX
Number of Terminals	N	6		
Pitch	e	0.825 BSC		
Overall Height	A	0.80	0.85	0.90
Standoff	A1	0.00	0.02	0.05
Overall Length	D	2.50 BSC		
Overall Width	E	2.00 BSC		
Terminal Width	b1	0.60	0.65	0.70
Terminal Width	b2	0.20	0.25	0.30
Terminal Length	L1	0.60	0.70	0.80
Terminal Length	L2	0.665	0.765	0.865

**Notes:**

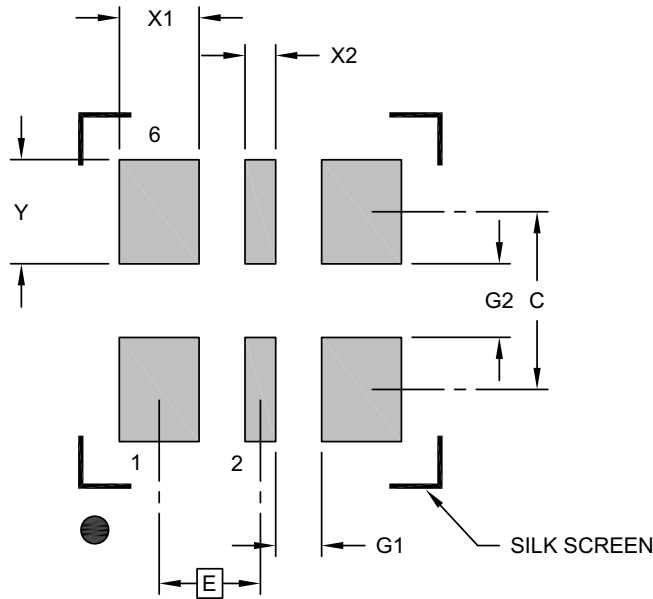
- Pin 1 visual index feature may vary, but must be located within the hatched area.
- Package is saw singulated
- Dimensioning and tolerancing per ASME Y14.5M
  - BSC: Basic Dimension. Theoretically exact value shown without tolerances.
  - REF: Reference Dimension, usually without tolerance, for information purposes only.

Microchip Technology Drawing C04-1005 Rev C Sheet 2 of 2

# DSC12X2/3/4

## 6-Lead Very Thin Dual Flatpack No-Leads (J7A) - 2.5x2.0 mm Body [VDFN]

**Note:** For the most current package drawings, please see the Microchip Packaging Specification located at <http://www.microchip.com/packaging>



RECOMMENDED LAND PATTERN

Dimension Limits	Units	MILLIMETERS		
		MIN	NOM	MAX
Contact Pitch	E	0.825 BSC		
Contact Pad Width (X4)	X1			0.65
Contact Pad Width (X2)	X2			0.25
Contact Pad Length (X6)	Y			0.85
Contact Pad Spacing	C		1.45	
Space Between Contacts (X4)	G1	0.38		
Space Between Contacts (X3)	G2	0.60		

**Notes:**

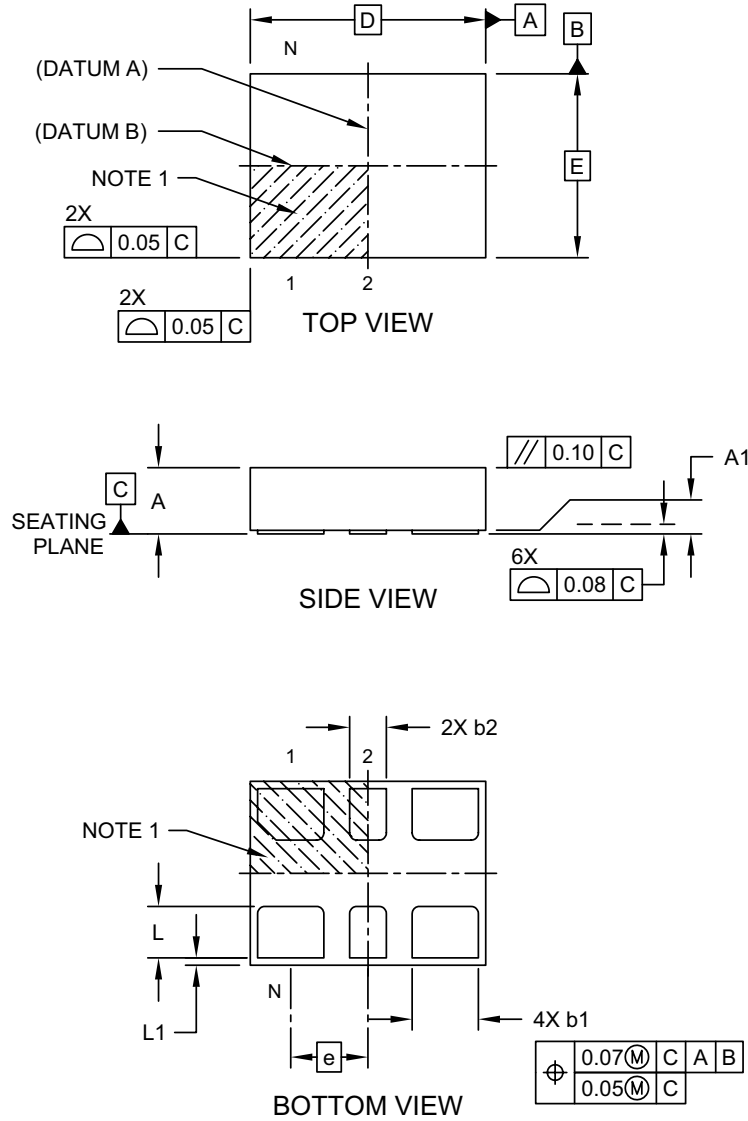
- Dimensioning and tolerancing per ASME Y14.5M  
BSC: Basic Dimension. Theoretically exact value shown without tolerances.
- For best soldering results, thermal vias, if used, should be filled or tented to avoid solder loss during reflow process

Microchip Technology Drawing C04-3005 Rev C

## 6-Lead VDFN 3.2 mm x 2.5 mm Package Outline and Recommended Land Pattern

### 6-Lead Very Thin Plastic Dual Flatpack No-Lead (H5A) - 3.2x2.5 mm Body [VDFN]

**Note:** For the most current package drawings, please see the Microchip Packaging Specification located at <http://www.microchip.com/packaging>

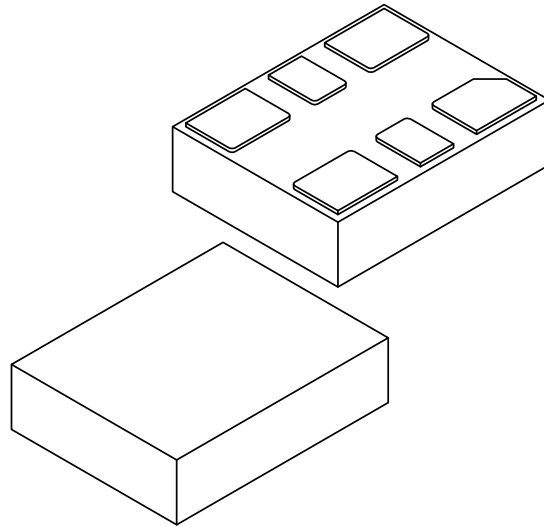


Microchip Technology Drawing C04-1007A Sheet 1 of 2

# DSC12X2/3/4

## 6-Lead Very Thin Plastic Dual Flatpack No-Lead (H5A) - 3.2x2.5 mm Body [VDFN]

**Note:** For the most current package drawings, please see the Microchip Packaging Specification located at <http://www.microchip.com/packaging>



Units		MILLIMETERS		
Dimension Limits		MIN	NOM	MAX
Number of Terminals	N	6		
Pitch	e	1.05 BSC		
Overall Height	A	0.80	0.85	0.90
Standoff	A1	0.00	0.02	0.05
Overall Length	D	3.20 BSC		
Overall Width	E	2.50 BSC		
Terminal Width	b1	0.85	0.90	0.95
Terminal Width	b2	0.45	0.50	0.55
Terminal Length	L	0.65	0.70	0.75
Terminal Pullback	L1	0.10 REF		

**Notes:**

1. Pin 1 visual index feature may vary, but must be located within the hatched area.
2. Package is saw singulated
3. Dimensioning and tolerancing per ASME Y14.5M

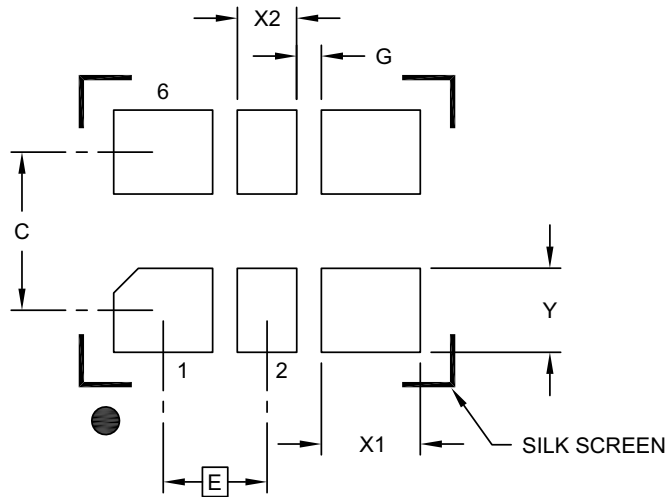
BSC: Basic Dimension. Theoretically exact value shown without tolerances.

REF: Reference Dimension, usually without tolerance, for information purposes only.

Microchip Technology Drawing C04-1007A Sheet 2 of 2

## 6-Lead Very Thin Plastic Dual Flatpack No-Lead (H5A) - 3.2x2.5 mm Body [VDFN]

**Note:** For the most current package drawings, please see the Microchip Packaging Specification located at <http://www.microchip.com/packaging>



RECOMMENDED LAND PATTERN

Dimension Limits	Units	MILLIMETERS		
		MIN	NOM	MAX
Contact Pitch	E		1.05 BSC	
Contact Pad Spacing	C		1.60	
Contact Pad Width (X4)	X1			1.00
Contact Pad Width (X2)	X2			0.60
Contact Pad Length (X6)	Y			0.85
Space Between Contacts (X4)	G1	0.25		

**Notes:**

1. Dimensioning and tolerancing per ASME Y14.5M  
BSC: Basic Dimension. Theoretically exact value shown without tolerances.

Microchip Technology Drawing C04-3007A

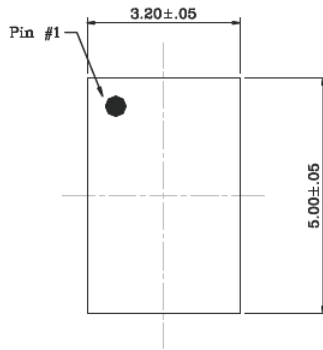
# DSC12X2/3/4

## 6-Lead CDFN 5.0 mm x 3.2 mm Package Outline and Recommended Land Pattern

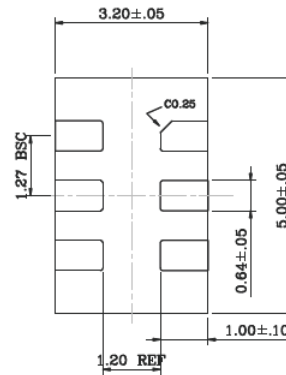
**TITLE**

6 LEAD CDFN 5.0x3.2mm COL PACKAGE OUTLINE & RECOMMENDED LAND PATTERN

DRAWING #	CDFN5032-6LD-PL-1	UNIT	MM
-----------	-------------------	------	----



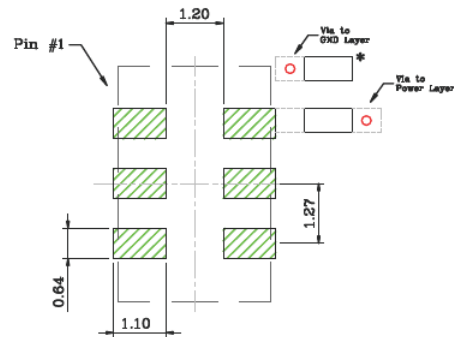
Top View



Bottom View



Side View



Recommended Land Pattern

**NOTE:**

- \* Power Supply Decoupling Capacitor is required in Recommended Land Pattern.
- Green shaded rectangles in Recommended Land Pattern are solder stencil opening.
- Red circles in Recommended Land Pattern are thermal VIA.

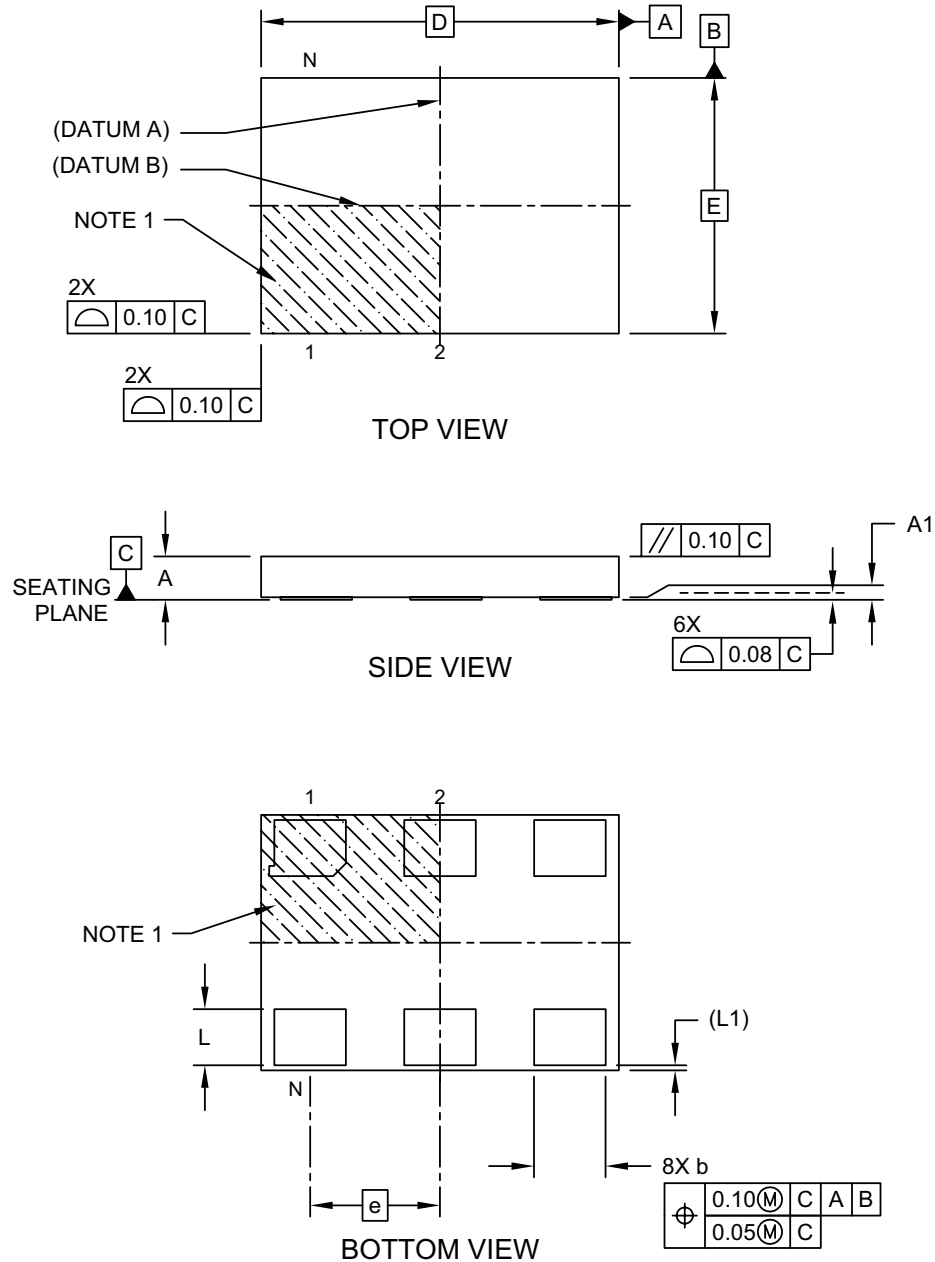
Note: For the most current package drawings, please see the Microchip Packaging Specification located at <http://www.microchip.com/packaging>.



## 6-Lead VDFN 7.0 mm x 5.0 mm Package Outline and Recommended Land Pattern

### 6-Lead Very Thin Dual Flatpack, No Lead Package (HPA) - 7x5 mm Body [VDFN]

**Note:** For the most current package drawings, please see the Microchip Packaging Specification located at <http://www.microchip.com/packaging>

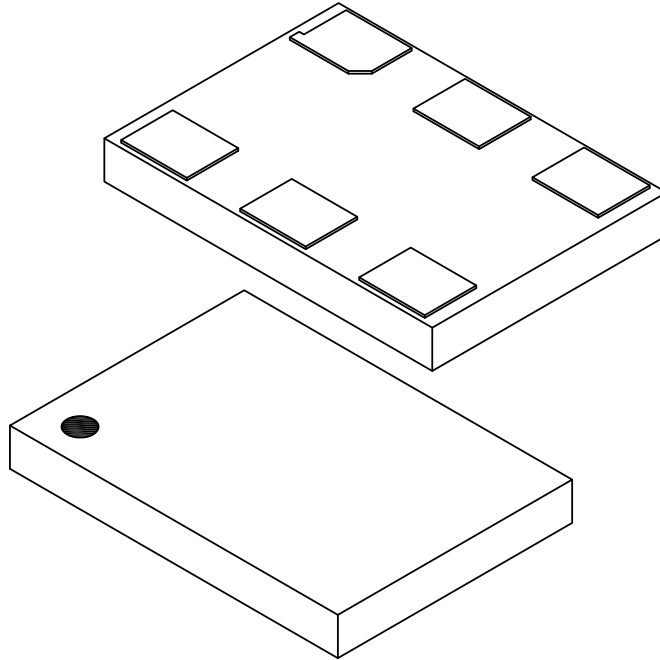


Microchip Technology Drawing C04-1227 Rev A Sheet 1 of 2

# DSC12X2/3/4

## 6-Lead Very Thin Dual Flatpack, No Lead Package (HPA) - 7x5 mm Body [VDFN]

**Note:** For the most current package drawings, please see the Microchip Packaging Specification located at <http://www.microchip.com/packaging>



Dimension Limits	Units	MILLIMETERS		
		MIN	NOM	MAX
Number of Terminals	N	6		
Pitch	e	2.54 BSC		
Overall Height	A	0.80	0.85	0.90
Standoff	A1	0.00	0.02	0.05
Overall Length	D	7.00 BSC		
Overall Width	E	5.00 BSC		
Terminal Width	b	1.30	1.40	1.50
Terminal Length	L	1.00	1.10	1.20
Pullback	L1	0.10 REF		

**Notes:**

1. Pin 1 visual index feature may vary, but must be located within the hatched area.
2. Package is saw singulated
3. Dimensioning and tolerancing per ASME Y14.5M

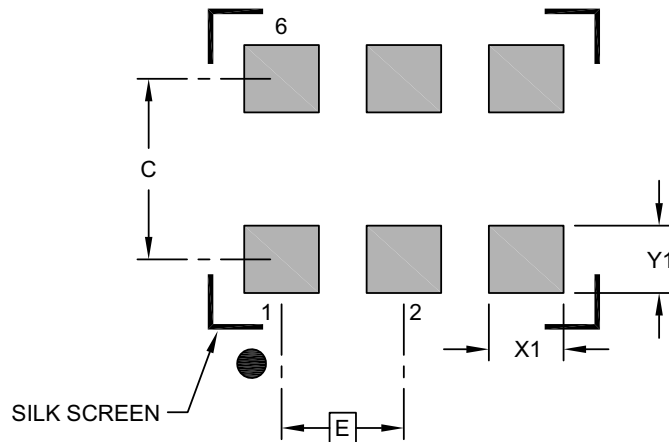
BSC: Basic Dimension. Theoretically exact value shown without tolerances.

REF: Reference Dimension, usually without tolerance, for information purposes only.

Microchip Technology Drawing C04-1227 Rev A Sheet 2 of 2

## 6-Lead Very Thin Dual Flatpack, No Lead Package (HPA) - 7x5 mm Body [VDFN]

**Note:** For the most current package drawings, please see the Microchip Packaging Specification located at <http://www.microchip.com/packaging>



### RECOMMENDED LAND PATTERN

Dimension Limits	Units	MILLIMETERS		
		MIN	NOM	MAX
Contact Pitch	E		2.54 BSC	
Contact Pad Spacing	C		3.90	
Contact Pad Width (X6)	X1			1.55
Contact Pad Length (X6)	Y1			1.40

**Notes:**

- Dimensioning and tolerancing per ASME Y14.5M  
BSC: Basic Dimension. Theoretically exact value shown without tolerances.
- For best soldering results, thermal vias, if used, should be filled or tented to avoid solder loss during reflow process

Microchip Technology Drawing C04-3227 Rev A

# DSC12X2/3/4

---

NOTES:

## APPENDIX A: REVISION HISTORY

### Revision A (April 2019)

- Initial release of DSC12x2/3/4 as Microchip data sheet DS20006011A.

### Revision B (June 2020)

- Revisions to the data sheet made in the [Electrical Characteristics](#) table under HCSL: Added new rows for Integrated Phase Noise and Phase Jitter.
- Also added a new bullet under the [Features](#) section.

### Revision C (January 2021)

- Updated Phase Jitter maximum values for  $J_{\text{RMS-CC}}$  in the [Electrical Characteristics](#) table and added a sixth note.
- Updated package drawing for [6-Lead VDFN 2.5 mm x 2.0 mm Package Outline and Recommended Land Pattern](#).
- Updated [Figure 3-1](#).

### Revision D (March 2021)

- Removed Note 6 from the [Electrical Characteristics](#) table.

# DSC12X2/3/4

---

NOTES:

## PRODUCT IDENTIFICATION SYSTEM

To order or obtain information, e.g., on pricing or delivery, contact your local Microchip representative or sales office.

PART NO.	X	X	X	X	X	-XXXXXXXX	X
Device	Control Pin	Output Format	Package	Temperature	Freq. Stability	Output Frequency	Media Type
<b>Device:</b> DSC12: High Performance Differential MEMS Oscillators  <b>Control Pin:</b> 0 = Pin 1 <u>STDBY</u> with Pull-up 1 = Pin 1 Frequency Select with Pull-up 2 = Pin 1 <u>OE</u> with Pull-up 3 = Pin 2 <u>STDBY</u> with Pull-up 4 = Pin 2 Frequency Select with Pull-up 5 = Pin 2 OE with Pull-up  <b>Output Format:</b> 2 = LVPECL 3 = LVDS 4 = HCSL  <b>Package:</b> N = 7 mm x 5 mm 6-Lead VDFN B = 5 mm x 3.2 mm 6-Lead CDFN C = 3.2 mm x 2.5 mm 6-Lead VDFN D = 2.5 mm x 2 mm 6-Lead VDFN  <b>Temperature:</b> A = -40°C to +125°C(Available on certain options) L = -40°C to +105°C I = -40°C to +85°C E = -20°C to +70°C  <b>Frequency Stability:</b> 1 = ±50 ppm 2 = ±25 ppm 3 = ±20 ppm  <b>Output Frequency:</b> xMxxxxx= <10 MHz xxMxxxx= <100 MHz xxxMxxxx= >100 MHz CCCCC= with Frequency Select PROG = TimeFlash  <b>Media Type:</b> <blank>= Bulk T = 1,000/Reel B = 3,000/Reel	<b>Examples:</b> a) DSC1202NE1-25M00000T: Pin 1 <u>STDBY</u> with Pull-up, LVPECL Output, 7x5 VDFN, -20°C to +70°C, ±50 ppm, 25 MHz Output Frequency, 1,000/Reel b) DSC1243CL3-C0013: Pin 2 Frequency Select with Pull-up, LVDS Output, 3.2x2.5 VDFN, -40°C to +105°C, ±20 ppm, Multiple Output Frequency, Bulk c) DSC1224BI2-19M50000B: Pin 1 OE with Pull-up, HCSL Output, 5x3.2 CDFN, -40°C to +85°C, ±25 ppm, 19.5 MHz Output Frequency, 3,000/Reel d) DSC1232DL3-55M82000T: Pin 2 <u>STDBY</u> with Pull-up, LVPECL Output, 2.5x2 VDFN, -40°C to +105°C, ±20 ppm, 55.82 MHz Output Frequency, 1,000/Reel e) DSC1213NI1-C0014B: Pin 1 Frequency Select with Pull-up, LVDS Output, 7x5 VDFN, -40°C to +85°C, ±50 ppm, Multiple Output Frequency, 3,000/Reel  <b>Note 1:</b> Tape and Reel identifier only appears in the catalog part number description. This identifier is used for ordering purposes and is not printed on the device package. Check with your Microchip Sales Office for package availability with the Tape and Reel option.						

Please visit the [Microchip ClockWorks Configurator®](http://clockworks.microchip.com/timing) website to configure the part number for customized frequency select settings.  
<http://clockworks.microchip.com/timing>

# DSC12X2/3/4

---

NOTES:



---

**Note the following details of the code protection feature on Microchip devices:**

- Microchip products meet the specifications contained in their particular Microchip Data Sheet.
- Microchip believes that its family of products is secure when used in the intended manner and under normal conditions.
- There are dishonest and possibly illegal methods being used in attempts to breach the code protection features of the Microchip devices. We believe that these methods require using the Microchip products in a manner outside the operating specifications contained in Microchip's Data Sheets. Attempts to breach these code protection features, most likely, cannot be accomplished without violating Microchip's intellectual property rights.
- Microchip is willing to work with any customer who is concerned about the integrity of its code.
- Neither Microchip nor any other semiconductor manufacturer can guarantee the security of its code. Code protection does not mean that we are guaranteeing the product is "unbreakable." Code protection is constantly evolving. We at Microchip are committed to continuously improving the code protection features of our products. Attempts to break Microchip's code protection feature may be a violation of the Digital Millennium Copyright Act. If such acts allow unauthorized access to your software or other copyrighted work, you may have a right to sue for relief under that Act.

---

Information contained in this publication is provided for the sole purpose of designing with and using Microchip products. Information regarding device applications and the like is provided only for your convenience and may be superseded by updates. It is your responsibility to ensure that your application meets with your specifications.

THIS INFORMATION IS PROVIDED BY MICROCHIP "AS IS". MICROCHIP MAKES NO REPRESENTATIONS OR WARRANTIES OF ANY KIND WHETHER EXPRESS OR IMPLIED, WRITTEN OR ORAL, STATUTORY OR OTHERWISE, RELATED TO THE INFORMATION INCLUDING BUT NOT LIMITED TO ANY IMPLIED WARRANTIES OF NON-INFRINGEMENT, MERCHANTABILITY, AND FITNESS FOR A PARTICULAR PURPOSE OR WARRANTIES RELATED TO ITS CONDITION, QUALITY, OR PERFORMANCE.

IN NO EVENT WILL MICROCHIP BE LIABLE FOR ANY INDIRECT, SPECIAL, PUNITIVE, INCIDENTAL OR CONSEQUENTIAL LOSS, DAMAGE, COST OR EXPENSE OF ANY KIND WHATSOEVER RELATED TO THE INFORMATION OR ITS USE, HOWEVER CAUSED, EVEN IF MICROCHIP HAS BEEN ADVISED OF THE POSSIBILITY OR THE DAMAGES ARE FORESEEABLE. TO THE FULLEST EXTENT ALLOWED BY LAW, MICROCHIP'S TOTAL LIABILITY ON ALL CLAIMS IN ANY WAY RELATED TO THE INFORMATION OR ITS USE WILL NOT EXCEED THE AMOUNT OF FEES, IF ANY, THAT YOU HAVE PAID DIRECTLY TO MICROCHIP FOR THE INFORMATION. Use of Microchip devices in life support and/or safety applications is entirely at the buyer's risk, and the buyer agrees to defend, indemnify and hold harmless Microchip from any and all damages, claims, suits, or expenses resulting from such use. No licenses are conveyed, implicitly or otherwise, under any Microchip intellectual property rights unless otherwise stated.

**Trademarks**

The Microchip name and logo, the Microchip logo, Adaptec, AnyRate, AVR, AVR logo, AVR Freaks, BesTime, BitCloud, chipKIT, chipKIT logo, CryptoMemory, CryptoRF, dsPIC, FlashFlex, flexPWR, HELDO, IGL00, JukeBlox, KeeLoq, Kleer, LANCheck, LinkMD, maXStylus, maXTouch, MediaLB, megaAVR, Microsemi, Microsemi logo, MOST, MOST logo, MPLAB, OptoLyzer, PackeTime, PIC, picoPower, PICSTART, PIC32 logo, PolarFire, Prochip Designer, QTouch, SAM-BA, SenGenuity, SpyNIC, SST, SST Logo, SuperFlash, Symmetricom, SyncServer, Tachyon, TimeSource, tinyAVR, UNI/O, Vectron, and XMEGA are registered trademarks of Microchip Technology Incorporated in the U.S.A. and other countries.

AgileSwitch, APT, ClockWorks, The Embedded Control Solutions Company, EtherSynch, FlashTec, Hyper Speed Control, HyperLight Load, IntelliMOS, Libero, motorBench, mTouch, Powermite 3, Precision Edge, ProASIC, ProASIC Plus, ProASIC Plus logo, Quiet-Wire, SmartFusion, SyncWorld, Temux, TimeCesium, TimeHub, TimePictra, TimeProvider, WinPath, and ZL are registered trademarks of Microchip Technology Incorporated in the U.S.A.

Adjacent Key Suppression, AKS, Analog-for-the-Digital Age, Any Capacitor, AnyIn, AnyOut, Augmented Switching, BlueSky, BodyCom, CodeGuard, CryptoAuthentication, CryptoAutomotive, CryptoCompanion, CryptoController, dsPICDEM, dsPICDEM.net, Dynamic Average Matching, DAM, ECAN, Espresso T1S, EtherGREEN, IdealBridge, In-Circuit Serial Programming, ICSP, INICnet, Intelligent Paralleling, Inter-Chip Connectivity, JitterBlocker, maxCrypto, maxView, memBrain, Mindi, MiWi, MPASM, MPF, MPLAB Certified logo, MPLIB, MPLINK, MultiTRAK, NetDetach, Omniscient Code Generation, PICDEM, PICDEM.net, PICkit, PICtail, PowerSmart, PureSilicon, QMatrix, REAL ICE, Ripple Blocker, RTAX, RTG4, SAM-ICE, Serial Quad I/O, simpleMAP, SimpliPHY, SmartBuffer, SMART-I.S., storClad, SQI, SuperSwitcher, SuperSwitcher II, Switchtec, SynchroPHY, Total Endurance, TSHARC, USBCheck, VariSense, VectorBlox, VeriPHY, ViewSpan, WiperLock, XpressConnect, and ZENA are trademarks of Microchip Technology Incorporated in the U.S.A. and other countries.

SQTP is a service mark of Microchip Technology Incorporated in the U.S.A.

The Adaptec logo, Frequency on Demand, Silicon Storage Technology, and Symmcom are registered trademarks of Microchip Technology Inc. in other countries.

GestIC is a registered trademark of Microchip Technology Germany II GmbH & Co. KG, a subsidiary of Microchip Technology Inc., in other countries.

All other trademarks mentioned herein are property of their respective companies.

© 2019-2021, Microchip Technology Incorporated, All Rights Reserved.

ISBN: 978-1-5224-7947-5

For information regarding Microchip's Quality Management Systems, please visit [www.microchip.com/quality](http://www.microchip.com/quality).



# MICROCHIP

## Worldwide Sales and Service

### AMERICAS

**Corporate Office**  
2355 West Chandler Blvd.  
Chandler, AZ 85224-6199  
Tel: 480-792-7200  
Fax: 480-792-7277  
Technical Support:  
<http://www.microchip.com/support>  
Web Address:  
[www.microchip.com](http://www.microchip.com)

#### Atlanta

Duluth, GA  
Tel: 678-957-9614  
Fax: 678-957-1455

#### Austin, TX

Tel: 512-257-3370

#### Boston

Westborough, MA  
Tel: 774-760-0087  
Fax: 774-760-0088

#### Chicago

Itasca, IL  
Tel: 630-285-0071  
Fax: 630-285-0075

#### Dallas

Addison, TX  
Tel: 972-818-7423  
Fax: 972-818-2924

#### Detroit

Novi, MI  
Tel: 248-848-4000

#### Houston, TX

Tel: 281-894-5983

#### Indianapolis

Noblesville, IN  
Tel: 317-773-8323  
Fax: 317-773-5453  
Tel: 317-536-2380

#### Los Angeles

Mission Viejo, CA  
Tel: 949-462-9523  
Fax: 949-462-9608  
Tel: 951-273-7800

#### Raleigh, NC

Tel: 919-844-7510

#### New York, NY

Tel: 631-435-6000

#### San Jose, CA

Tel: 408-735-9110  
Tel: 408-436-4270

#### Canada - Toronto

Tel: 905-695-1980  
Fax: 905-695-2078

### ASIA/PACIFIC

**Australia - Sydney**  
Tel: 61-2-9868-6733

**China - Beijing**  
Tel: 86-10-8569-7000

**China - Chengdu**  
Tel: 86-28-8665-5511

**China - Chongqing**  
Tel: 86-23-8980-9588

**China - Dongguan**  
Tel: 86-769-8702-9880

**China - Guangzhou**  
Tel: 86-20-8755-8029

**China - Hangzhou**  
Tel: 86-571-8792-8115

**China - Hong Kong SAR**  
Tel: 852-2943-5100

**China - Nanjing**  
Tel: 86-25-8473-2460

**China - Qingdao**  
Tel: 86-532-8502-7355

**China - Shanghai**  
Tel: 86-21-3326-8000

**China - Shenyang**  
Tel: 86-24-2334-2829

**China - Shenzhen**  
Tel: 86-755-8864-2200

**China - Suzhou**  
Tel: 86-186-6233-1526

**China - Wuhan**  
Tel: 86-27-5980-5300

**China - Xian**  
Tel: 86-29-8833-7252

**China - Xiamen**  
Tel: 86-592-2388138

**China - Zhuhai**  
Tel: 86-756-3210040

### ASIA/PACIFIC

**India - Bangalore**  
Tel: 91-80-3090-4444

**India - New Delhi**  
Tel: 91-11-4160-8631

**India - Pune**  
Tel: 91-20-4121-0141

**Japan - Osaka**  
Tel: 81-6-6152-7160

**Japan - Tokyo**  
Tel: 81-3-6880-3770

**Korea - Daegu**  
Tel: 82-53-744-4301

**Korea - Seoul**  
Tel: 82-2-554-7200

**Malaysia - Kuala Lumpur**  
Tel: 60-3-7651-7906

**Malaysia - Penang**  
Tel: 60-4-227-8870

**Philippines - Manila**  
Tel: 63-2-634-9065

**Singapore**  
Tel: 65-6334-8870

**Taiwan - Hsin Chu**  
Tel: 886-3-577-8366

**Taiwan - Kaohsiung**  
Tel: 886-7-213-7830

**Taiwan - Taipei**  
Tel: 886-2-2508-8600

**Thailand - Bangkok**  
Tel: 66-2-694-1351

**Vietnam - Ho Chi Minh**  
Tel: 84-28-5448-2100

### EUROPE

**Austria - Wels**  
Tel: 43-7242-2244-39  
Fax: 43-7242-2244-393

**Denmark - Copenhagen**  
Tel: 45-4485-5910  
Fax: 45-4485-2829

**Finland - Espoo**  
Tel: 358-9-4520-820

**France - Paris**  
Tel: 33-1-69-53-63-20  
Fax: 33-1-69-30-90-79

**Germany - Garching**  
Tel: 49-8931-9700

**Germany - Haan**  
Tel: 49-2129-3766400

**Germany - Heilbronn**  
Tel: 49-7131-72400

**Germany - Karlsruhe**  
Tel: 49-721-625370

**Germany - Munich**  
Tel: 49-89-627-144-0  
Fax: 49-89-627-144-44

**Germany - Rosenheim**  
Tel: 49-8031-354-560

**Israel - Ra'anana**  
Tel: 972-9-744-7705

**Italy - Milan**  
Tel: 39-0331-742611  
Fax: 39-0331-466781

**Italy - Padova**  
Tel: 39-049-7625286

**Netherlands - Drunen**  
Tel: 31-416-690399  
Fax: 31-416-690340

**Norway - Trondheim**  
Tel: 47-7288-4388

**Poland - Warsaw**  
Tel: 48-22-3325737

**Romania - Bucharest**  
Tel: 40-21-407-87-50

**Spain - Madrid**  
Tel: 34-91-708-08-90  
Fax: 34-91-708-08-91

**Sweden - Gothenberg**  
Tel: 46-31-704-60-40

**Sweden - Stockholm**  
Tel: 46-8-5090-4654

**UK - Wokingham**  
Tel: 44-118-921-5800  
Fax: 44-118-921-5820

## X-ON Electronics

Largest Supplier of Electrical and Electronic Components

*Click to view similar products for [Standard Clock Oscillators](#) category:*

*Click to view products by [Microchip](#) manufacturer:*

Other Similar products are found below :

[601252](#) [F335-12](#) [F335-25](#) [F535L-33.333](#) [F535L-50](#) [ASV-20.000MHZ-LR-T](#) [ECS-2018-160-BN-TR](#) [EL13C7-H2F-125.00M](#) [MXO45HS-2C-66.6666MHZ](#) [SiT8209AI-32-33E-125.000000](#) [SM4420TEV-40.0M-T1K](#) [F335-24](#) [F335-40](#) [F535L-10](#) [F535L-12](#) [F535L-16](#) [F535L-24](#) [F535L-27](#) [F535L-48](#) [PE7744DW-100.0M](#) [CSX-750FCC14745600T](#) [ASF1-3.686MHZ-N-K-S](#) [XO57CTECNA3M6864](#) [ECS-2100A-147.4](#) [601251](#) [EP16E7E2H26.000MTR](#) [SIT8918AA-11-33S-16.000000G](#) [XO3003](#) [9120AC-2D2-33E212.500000](#) [9102AI-243N25E100.00000](#) [8208AC-82-18E-25.00000](#) [ASDK2-32.768KHZ-LR-T3](#) [8008AI-72-XXE-24.545454E](#) [8004AC-13-33E-133.33000X](#) [AS-4.9152-16-SMD-TR](#) [ASFL1-48.000MHZ-LC-T](#) [SIT8920AM-31-33E-25.0000](#) [DSC1028DI2-019.2000](#) [9121AC-2C3-25E100.00000](#) [9102AI-233N33E100.00000X](#) [9102AI-233N25E200.00000](#) [9102AI-232H25S125.00000](#) [9102AI-133N25E200.00000](#) [9102AC-283N25E200.00000](#) [9001AC-33-33E1-30.000](#) [XLH536125.000JS4I](#) [3921AI-2CF-33NZ125.000000](#) [5730-1SF](#) [PXA000010](#) [SIT1602BC-83-33E-10.000000Y](#)