

GPIO Expansion, PS/2, 23x8 Keyscan Matrix Interface via SMBus or BC-Link Bus

Highlights

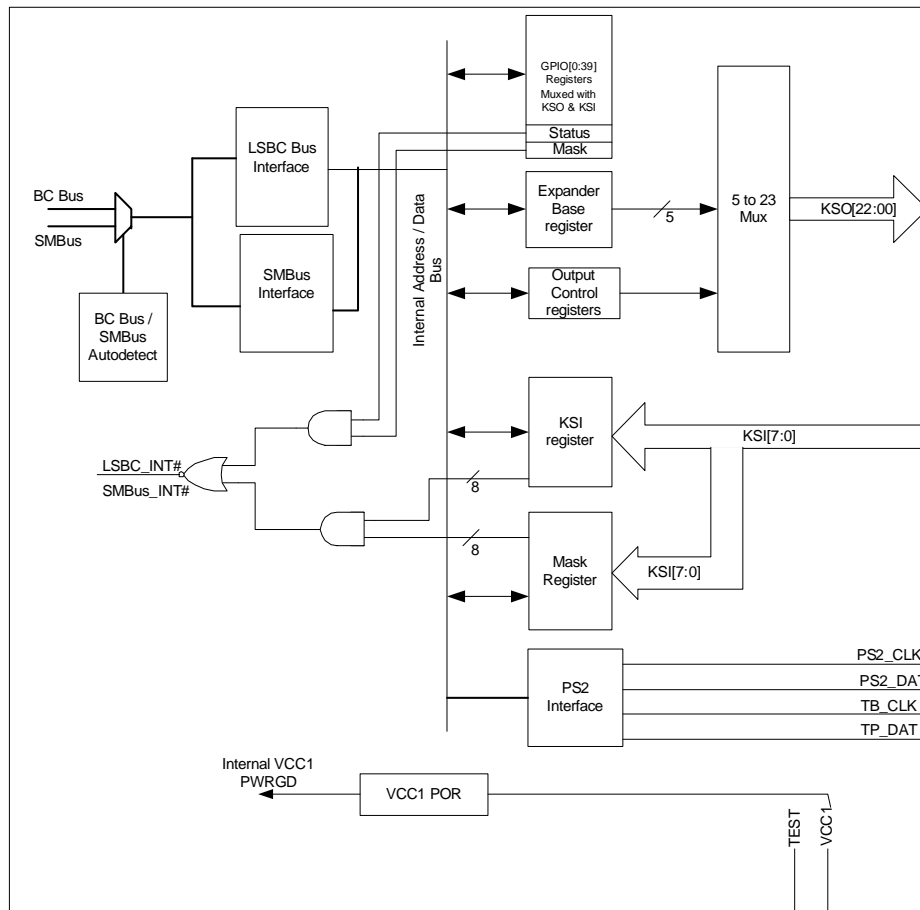
The ECE1105 is a 48-Pin 3.3V Keyboard Scan Expansion or GPIO Expansion device. The device supports a keyboard scan matrix of 23x8 and has two PS/2 ports for touchpad and/or pointer stick support. The device is connected to a Master via the BC-Link interface or via the SMBus.

KSI and KSO signals are multiplexed with GPIOs.

Features

- Up to 23x8 Keyboard Scan Matrix
- Two PS/2 Ports
 - Touch Pad Support
 - Pointer Stick Support
- 40 Multiplexed General Purpose I/O pins
 - All are MCU addressable I/O Pins
- BC-Link Interconnect Bus
 - Link to embedded controller
- SMBus Interconnect
 - One of two address selection
- 3.3V Operation
 - 48-Pin, QFN RoHS Compliant package
 - 0.5mm Pitch
 - 7x7m Body size

Block Diagram



TO OUR VALUED CUSTOMERS

It is our intention to provide our valued customers with the best documentation possible to ensure successful use of your Microchip products. To this end, we will continue to improve our publications to better suit your needs. Our publications will be refined and enhanced as new volumes and updates are introduced.

If you have any questions or comments regarding this publication, please contact the Marketing Communications Department via E-mail at docerrors@microchip.com. We welcome your feedback.

Most Current Data Sheet

To obtain the most up-to-date version of this data sheet, please register at our Worldwide Web site at:

<http://www.microchip.com>

You can determine the version of a data sheet by examining its literature number found on the bottom outside corner of any page. The last character of the literature number is the version number, (e.g., DS30000000A is version A of document DS30000000).

Errata

An errata sheet, describing minor operational differences from the data sheet and recommended workarounds, may exist for current devices. As device/documentation issues become known to us, we will publish an errata sheet. The errata will specify the revision of silicon and revision of document to which it applies.

To determine if an errata sheet exists for a particular device, please check with one of the following:

- Microchip's Worldwide Web site; <http://www.microchip.com>
- Your local Microchip sales office (see last page)

When contacting a sales office, please specify which device, revision of silicon and data sheet (include -literature number) you are using.

Customer Notification System

Register on our web site at www.microchip.com to receive the most current information on all of our products.

Table of Contents

- 1.0 Pin Functions 4
- 2.0 Product Description 12
- 3.0 Operational Description 35
- 4.0 Timing Diagrams 38
- 5.0 Package Outline 43
- Appendix A: Data sheet Revision History 45
- The Microchip Web Site 46
- Customer Change Notification Service 46
- Customer Support 46
- Product Identification System 47

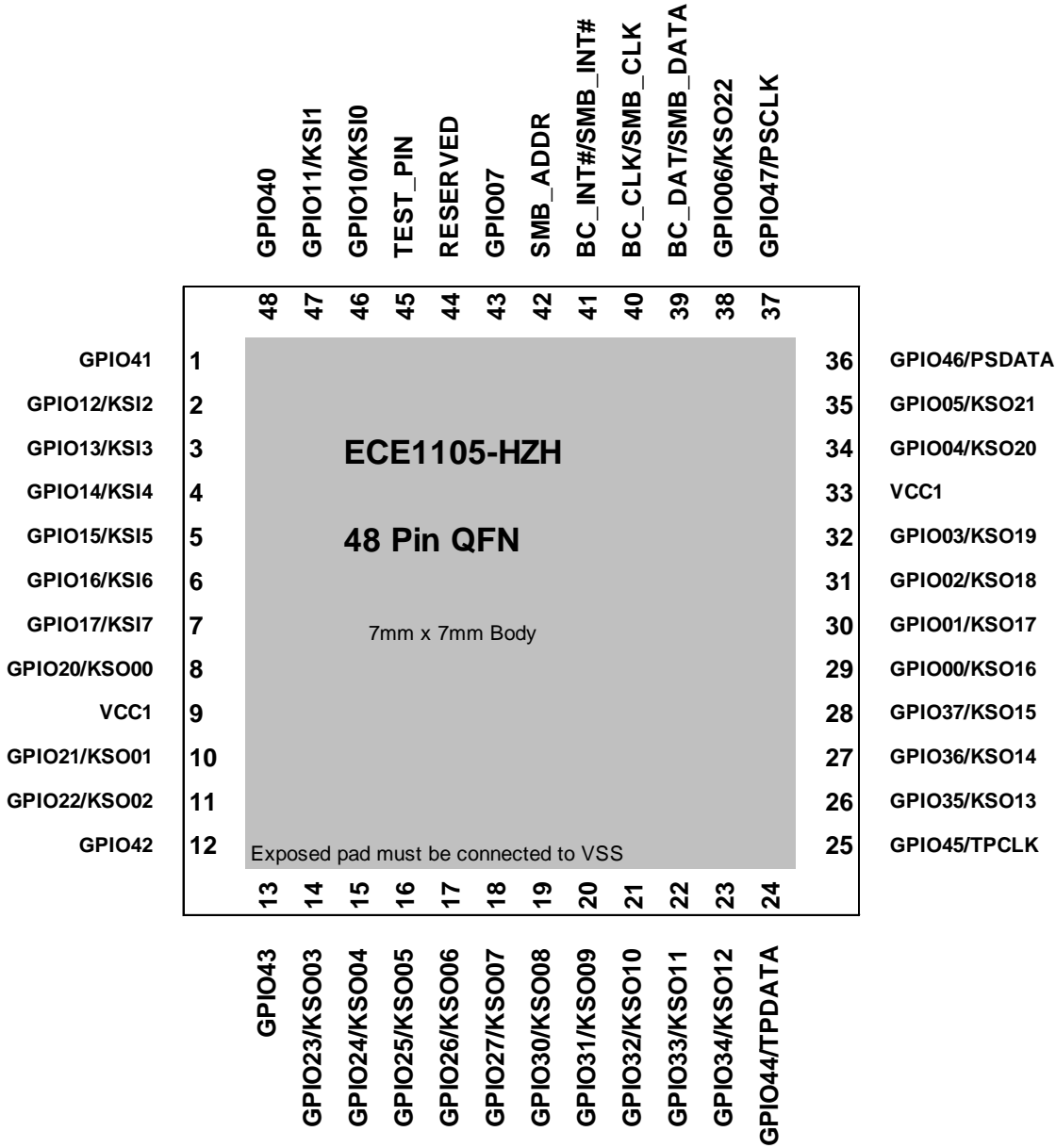
ECE1105

1.0 PIN FUNCTIONS

TABLE 1-1: ECE1105 PIN TABLE

Pin #	Name	Pin #	Name
1	GPIO41	25	GPIO45/TPCLK
2	GPIO12/KSI2	26	GPIO35/KSO13
3	GPIO13/KSI3	27	GPIO36/KSO14
4	GPIO14/KSI4	28	GPIO37/KSO15
5	GPIO15/KSI5	29	GPIO00/KSO16
6	GPIO16/KSI6	30	GPIO01/KSO17
7	GPIO17/KSI7	31	GPIO02/KSO18
8	GPIO20/KSO00	32	GPIO03/KSO19
9	VCC1	33	VCC1
10	GPIO21/KSO01	34	GPIO04/KSO20
11	GPIO22/KSO02	35	GPIO05/KSO21
12	GPIO42	36	GPIO46/PSDATA
13	GPIO43	37	GPIO47/PSCLK
14	GPIO23/KSO03	38	GPIO06/KSO22
15	GPIO24/KSO04	39	BC_DAT/SMB_DATA
16	GPIO25/KSO05	40	BC_CLK/SMB_CLK
17	GPIO26/KSO06	41	BC_INT#/SMB_INT#
18	GPIO27/KSO07	42	SMB_ADDR
19	GPIO30/KSO08	43	GPIO07
20	GPIO31/KSO09	44	RESERVED
21	GPIO32/KSO10	45	TEST_PIN
22	GPIO33/KSO11	46	GPIO10/KSI0
23	GPIO34/KSO12	47	GPIO11/KSI1
24	GPIO44/TPDATA	48	GPIO40

FIGURE 1-1: ECE1105 PIN DIAGRAM (TOP VIEW, EXPOSED PAD IS ON THE BOTTOM)



ECE1105

TABLE 1-2: ECE1105 PIN DESCRIPTIONS

Pin #	Name	Signal Sescription	Buffer	Notes
1	GPIO41	General Purpose IO.	IP/O8	3
2	GPIO12/KSI2	General Purpose IO. May be configured as an OD output Keyboard Scan Input	ISP/O8	3
3	GPIO13/KSI3	General Purpose IO. May be configured as an OD output Keyboard Scan Input	ISP/O8	3
4	GPIO14/KSI4	General Purpose IO. May be configured as an OD output Keyboard Scan Input	ISP/O8	3
5	GPIO15/KSI5	General Purpose IO. May be configured as an OD output Keyboard Scan Input	ISP/O8	3
6	GPIO16/KSI6	General Purpose IO. May be configured as an OD output Keyboard Scan Input	ISP/O8	3
7	GPIO17/KSI7	General Purpose IO. May be configured as an OD output Keyboard Scan Input	ISP/O8	3
8	GPIO20/KSO00	General Purpose IO. May be configured as an OD output Keyboard Scan Output	IP/O8	3
9	VCC1	PWR	PWR	
10	GPIO21/KSO01	General Purpose IO. May be configured as an OD output Keyboard Scan Output	IP/O8	3
11	GPIO22/KSO02	General Purpose IO. May be configured as an OD output Keyboard Scan Output	IP/O8	3
12	GPIO42	General Purpose IO.	IP/O8	3
13	GPIO43	General Purpose IO.	IP/O8	3

Pin #	Name	Signal Sescription	Buffer	Notes
14	GPIO23/KSO03	General Purpose IO. May be configured as an OD output Keyboard Scan Output	IP/O8	3
15	GPIO24/KSO04	General Purpose IO. May be configured as an OD output Keyboard Scan Output	IP/O8	3
16	GPIO25/KSO05	General Purpose IO. May be configured as an OD output Keyboard Scan Output	IP/O8	3
17	GPIO26/KSO06	General Purpose IO. May be configured as an OD output Keyboard Scan Output	IP/O8	3
18	GPIO27/KSO07	General Purpose IO. May be configured as an OD output Keyboard Scan Output	IP/O8	3
19	GPIO30/KSO08	General Purpose IO. May be configured as an OD output Keyboard Scan Output	IP/O8	3
20	GPIO31/KSO09	General Purpose IO. May be configured as an OD output Keyboard Scan Output	IP/O8	3
21	GPIO32/KSO10	General Purpose IO. May be configured as an OD output Keyboard Scan Output	IP/O8	3
22	GPIO33/KSO11	General Purpose IO. May be configured as an OD output Keyboard Scan Output	IP/O8	3
23	GPIO34/KSO12	General Purpose IO. May be configured as an OD output Keyboard Scan Output	IP/O8	3
24	GPIO44/TPDATA	PS/2 Touch Pad Data IO, General Purpose IO. May be configured as an OD Output.	IP/O12	3

ECE1105

Pin #	Name	Signal Sescription	Buffer	Notes
25	GPIO45/TPCLK	PS/2 Touch Pad Clock IO, General Purpose IO. May be configured as an OD Output.	IP/O12	3
26	GPIO35/KSO13	General Purpose IO. May be configured as an OD output Keyboard Scan Output	IP/O8	3
27	GPIO36/KSO14	General Purpose IO. May be configured as an OD output Keyboard Scan Output	IP/O8	3
28	GPIO37/KSO15	General Purpose IO. May be configured as an OD output Keyboard Scan Output	IP/O8	3
29	GPIO00/KSO16	General Purpose IO. May be configured as an OD output Keyboard Scan Output	IP/O8	3
30	GPIO01/KSO17	General Purpose IO. May be configured as an OD output Keyboard Scan Output	IP/O8	3
31	GPIO02/KSO18	General Purpose IO. May be configured as an OD output Keyboard Scan Output	IP/O8	3
32	GPIO03/KSO19	General Purpose IO. May be configured as an OD output Keyboard Scan Output	IP/O8	3
33	VCC1	PWR	PWR	
34	GPIO04/KSO20	General Purpose IO. May be configured as an OD output Keyboard Scan Output	IP/O8	3
35	GPIO05/KSO21	General Purpose IO. May be configured as an OD output Keyboard Scan Output	IP/O8	3
36	GPIO46/PSDATA	PS/2 Data IO, General Purpose IO. May be configured as an OD Output.	IP/O12	3
37	GPIO47/PSCLK	PS/2 Clock IO, General Purpose IO. May be configured as an OD Output.	IP/O12	3

Pin #	Name	Signal Sescription	Buffer	Notes
38	GPIO06/KSO22	General Purpose IO. May be configured as an OD output Keyboard Scan Output	IP/O8	3
39	BC_DAT/SMB_DATA	BC_DAT IO. SMBus Data IO	I/O8	
40	BC_CLK/SMB_CLK	BC_CLK. SMBus Slave Clock I	I	
41	BC_INT#/SMB_INT#	BC_INT# Output Active Low . SMBus Interrupt Output Active Low	O8	4
42	SMB_ADDR	SMBus Address Select Strap. Selects between one of two SMBus Slave Addresses	I	
43	GPIO07	General Purpose IO. May be configured as an OD output	IP/O8	3
44	RESERVED	Reserved	NC	2
45	TEST_PIN	Test Pin Input	I	1
46	GPIO10/KSI0	General Purpose IO. May be configured as an OD output Keyboard Scan Input	ISP/O8	3
47	GPIO11/KSI1	General Purpose IO. May be configured as an OD output Keyboard Scan Input	ISP/O8	3
48	GPIO40	General Purpose IO.	IP/O8	3
Exposed pad must be connected to VSS				

Note 1: This pin requires an external pull-down resistor to ensure that the pin remains de-asserted.

2: NC Not Connected.

3: Full Function GPIO Refer to Table 2-4, "GPIO Configuration Register," on page 17.

4: SMB_INT# is Open Drain / BC_INT# is Push-pull. SMBus is default.

TABLE 1-3: ALTERNATE PIN FUNCTIONS

Pin #	Primary	Alternate	Pin #	Primary	Alternate
1	GPIO41		25	GPIO45	TPCLK
2	GPIO12	KSI2	26	GPIO35	KSO13
3	GPIO13	KSI3	27	GPIO36	KSO14
4	GPIO14	KSI4	28	GPIO37	KSO15
5	GPIO15	KSI5	29	GPIO00	KSO16
6	GPIO16	KSI6	30	GPIO01	KSO17
7	GPIO17	KSI7	31	GPIO02	KSO18
8	GPIO20	KSO00	32	GPIO03	KSO19
9	VCC1	VCC1	33	VCC1	VCC1
10	GPIO21	KSO01	34	GPIO04	KSO20
11	GPIO22	KSO02	35	GPIO05	KSO21
12	GPIO42		36	GPIO46	PSDATA
13	GPIO43		37	GPIO47	PSCLK
14	GPIO23	KSO03	38	GPIO06	KSO22
15	GPIO24	KSO04	39	BC_DAT	SMB_DATA
16	GPIO25	KSO05	40	BC_CLK	SMB_CLK
17	GPIO26	KSO06	41	BC_INT#	SMB_INT#
18	GPIO27	KSO07	42	SMB_ADDR	
19	GPIO30	KSO08	43	GPIO07	
20	GPIO31	KSO09	44	RESERVED	
21	GPIO32	KSO10	45	TEST_PIN	
22	GPIO33	KSO11	46	GPIO10	KSI0
23	GPIO34	KSO12	47	GPIO11	KSI1
24	GPIO44	TPDATA	48	GPIO40	

1.1 XNOR Chain Test Mode

An XNOR Chain test structure is in to the ECE1105 to allow users to confirm that all pins are in contact with the motherboard during assembly and test operations (Figure 1-2, "XNOR Chain Test Structure").

The XNOR Chain test structure must be activated to perform these tests. When the XNOR Chain is activated, the ECE1105 pin functions are disconnected from the device pins, which all become input pins except for one output pin at the end of XNOR Chain.

The tests that are performed when the XNOR Chain test structure is activated require the board-level test hardware to control the device pins and observe the results at the XNOR Chain output pin.

1.2 Pins in XNOR Chain Structure

All pins are inputs into the XNOR Chain with the exception of the following pins:

- TEST_PIN (this is the XNOR Chain enable input)
- RESERVED
- SMB_ADDR
- BC_INT#/SMB_INT#

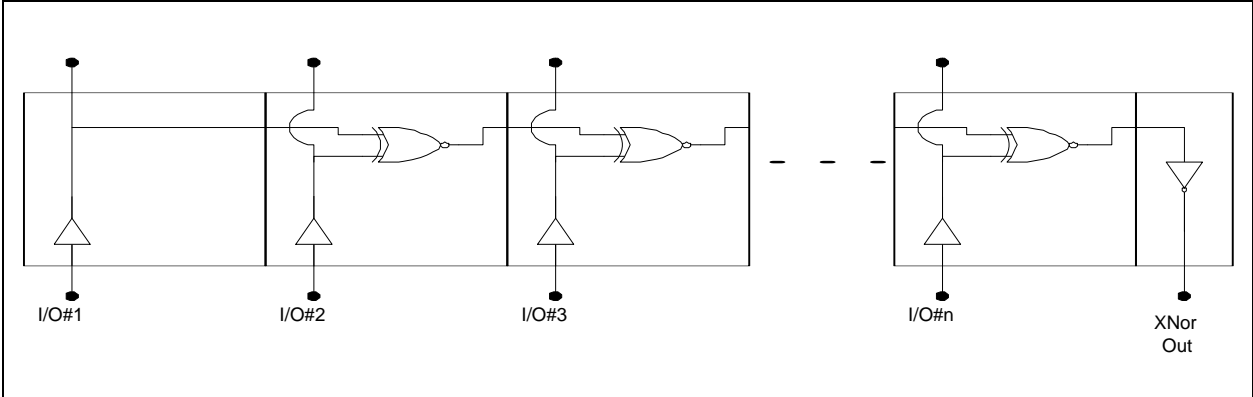
1.3 Entering and Exiting the XNOR Chain

The XNOR Chain test is entered by setting TEST_PIN to 1 while SMB_ADDR is 0.

When activated, the test mode allows one single input pin, when switched, to toggle the BC_INT#/SMB_INT# output.

The XNOR Chain is exited by setting TEST_PIN to 0, independent of the value of SMB_ADDR.

FIGURE 1-2: XNOR CHAIN TEST STRUCTURE



2.0 PRODUCT DESCRIPTION

2.1 Summary

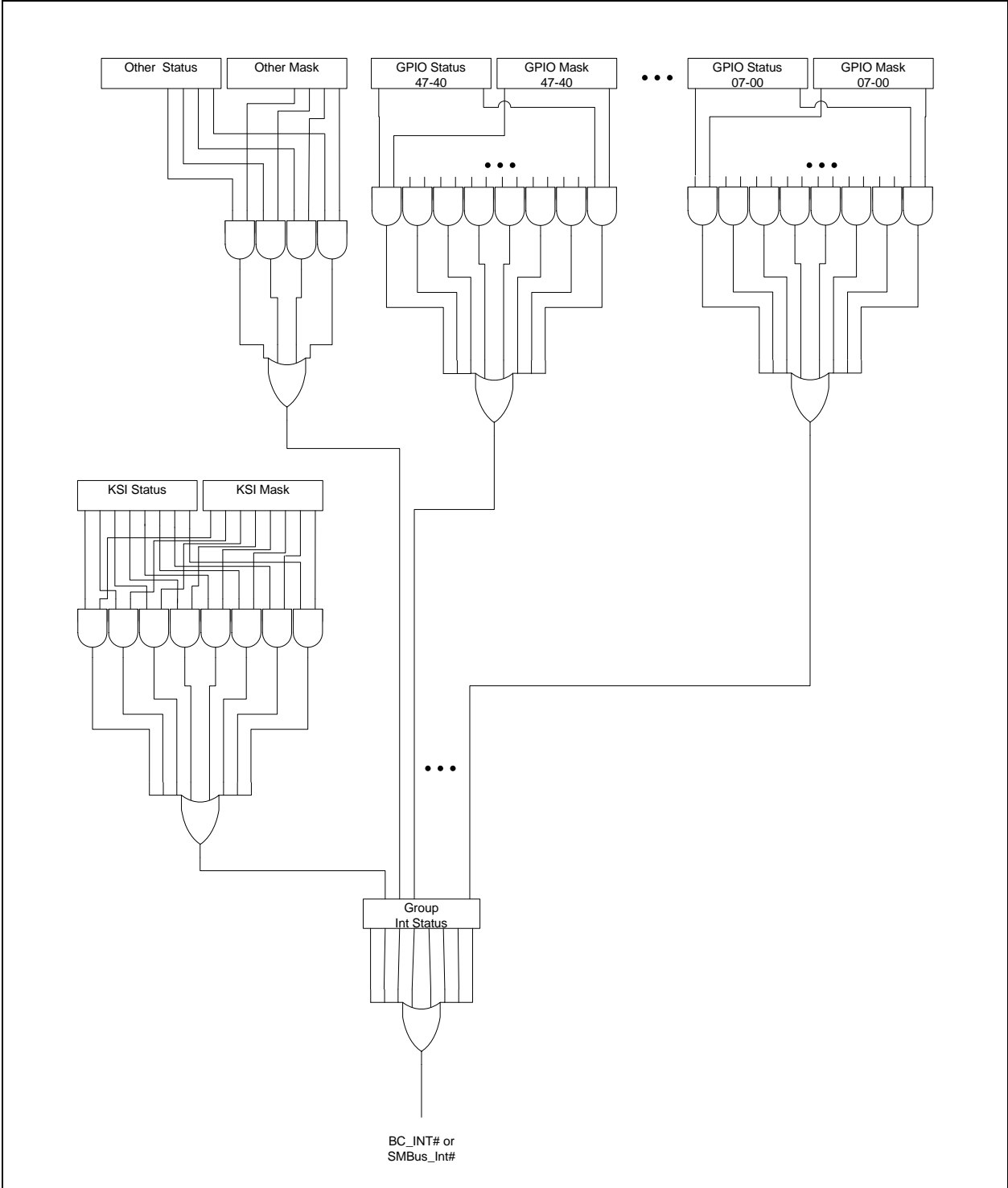
The ECE1105 is a 48-pin 3.3V GPIO and Keyboard Scan Expansion device. The device supports a keyboard scan matrix of 23x8 and has two PS/2 ports for touchpad and/or pointer stick support. The device is connected to a Master via the BC-Link interface or via the SMBus.

KSI and KSO signals are multiplexed with GPIOs.

2.2 Interrupt Generation

Interrupts can be generated by an edge detection on a GPIO pin or an edge detection on one of the bus interface pins, and the two PS/2 ports. The bus interrupt pin (BC_INT# or SMBUS_INT#) is asserted if any bit in one of the Interrupt Status registers is 1 and the corresponding Interrupt Mask bit is also 1. Interrupt generation is illustrated in Figure 2-1, "Interrupt Generation".

FIGURE 2-1: INTERRUPT GENERATION



ECE1105

In order for software to determine which device is the source of an interrupt, it should first read the [Group Interrupt Status Register](#) to determine which Status register group is a source for the interrupt. Software should read both the Status register and the associated Mask register, then AND the two values together. Bits that are 1 in the result of the AND are active interrupts.

Software clears an interrupt by writing a 1 to the corresponding bit in the Status register.

Note: Although the ECE1105 can generate the SMBus interrupt signal SMBUS_INT# as described above, it will not respond to the SMBus Alert Response Address transaction unless [Bit4 ARA](#) in the [Clock Control Register](#) (Register FAh) is set to 1.

2.3 Integrated VCC1 Reset Generator

When VCC1 power is applied to the ECE1105, a VCC1 POR will be generated. This VCC1 POR will reset the device.

2.4 Register Address Table

TABLE 2-1: REGISTER SUMMARY

Address (HEX)	Register	VCC1 POR Default
00h	GPIO[7:0] Input	00h
01h	GPIO[17:10] Input	00h
02h	GPIO[27:20] Input	00h
03h	GPIO[37:30] Input	00h
04h	GPIO[47:40] Input	00h
05h	GPIO[7:0] Output	00h
06h	GPIO[17:10] Output	00h
07h	GPIO[27:20] Output	00h
08h	GPIO[37:30] Output	00h
09h	GPIO[47:40] Output	00h
0Ah	GPIO00 Configuration	00h
0Bh	GPIO01 Configuration	00h
0Ch	GPIO02 Configuration	00h
0Dh	GPIO03 Configuration	00h
0Eh	GPIO04 Configuration	00h
0Fh	GPIO05 Configuration	00h
10h	GPIO06 Configuration	00h
11h	GPIO07 Configuration	00h
12h	GPIO10 Configuration	00h
13h	GPIO11 Configuration	00h
14h	GPIO12 Configuration	00h
15h	GPIO13 Configuration	00h
16h	GPIO14 Configuration	00h
17h	GPIO15 Configuration	00h
18h	GPIO16 Configuration	00h
19h	GPIO17 Configuration	00h
1Ah	GPIO20 Configuration	00h
1Bh	GPIO21 Configuration	00h
1Ch	GPIO22 Configuration	00h
1Dh	GPIO23 Configuration	00h

TABLE 2-1: REGISTER SUMMARY (CONTINUED)

Address (HEX)	Register	VCC1 POR Default
1Eh	GPIO24 Configuration	00h
1Fh	GPIO25 Configuration	00h
20h	GPIO26 Configuration	00h
21h	GPIO27 Configuration	00h
22h	GPIO30 Configuration	00h
23h	GPIO31 Configuration	00h
24h	GPIO32 Configuration	00h
25h	GPIO33 Configuration	00h
26h	GPIO34 Configuration	00h
27h	GPIO35 Configuration	00h
28h	GPIO36 Configuration	00h
29h	GPIO37 Configuration	00h
2Ah	GPIO40 Configuration	00h
2Bh	GPIO41 Configuration	00h
2Ch	GPIO42 Configuration	00h
2Dh	GPIO43 Configuration	00h
2Eh	GPIO44 Configuration	00h
2Fh	GPIO45 Configuration	00h
30h	GPIO46 Configuration	00h
31h	GPIO47 Configuration	00h
32h	GPIO[7:0] Interrupt Status	00h
33h	GPIO[17:10] Interrupt Status	00h
34h	GPIO[27:20] Interrupt Status	00h
35h	GPIO[37:30] Interrupt Status	00h
36h	GPIO[47:40] Interrupt Status	00h
37h	GPIO[7:0] Interrupt Mask	00h
38h	GPIO[17:10] Interrupt Mask	00h
39h	GPIO[27:20] Interrupt Mask	00h
3Ah	GPIO[37:30] Interrupt Mask	00h
3Bh	GPIO[47:40] Interrupt Mask	00h
3C-3Fh	Reserved	00h
40h	KSO Select	40h
41h	KSI Input	00h
42h	KSI Status	00h
43h	KSI Interrupt Mask	00h
50h	PS/2 Transmit Buffer	00
50h	PS/2 Receive Buffer	FFh
51h	PS/2 Control	00h
52h	PS/2 Status	10h
53	Reserved	00h
54h	TP Transmit Buffer	00
54h	TP Receive Buffer	FFh
55h	TP Control	00h
56h	TP Status	10h

TABLE 2-1: REGISTER SUMMARY (CONTINUED)

Address (HEX)	Register	VCC1 POR Default
57h-F4h	Reserved	00h
F5h	Reset	00h
F6h	MCHP test	00h
F7h	Other Interrupt Status	00h
F8h	Other Interrupt Mask	00h
F9h	Group Interrupt	00h
FAh	Clock Control	00h
FBh	Wakeup Control	00h
FCh	Device ID	42h
Fdh	Device Version Number	Current version
FEh	Vendor ID (LSB)	55h
FFh	Vendor ID (MSB)	10h

2.5 Detailed Register Descriptions

2.5.1 GPIO REGISTERS

Note: When the GPIO function is selected, the buffer has full GPIO functionality. When KSO is selected the buffer is set to Open-Drain output operation.

2.5.2 GPIO INPUT REGISTER

TABLE 2-2: GPIO INPUT REGISTER

ADDRESS	REFER TO Table 2-1, "Register Summary"							8-bit	SIZE
POWER	VCC1							N/A	VCC1 POR DEFAULT
BIT	D7	D6	D5	D4	D3	D2	D1	D0	
BC-LINK TYPE	R	R	R	R	R	R	R	R	
BIT NAME	GPIOx7	GPIOx6	GPIOx5	GPIOx4	GPIOx3	GPIOx2	GPIOx1	GPIOx0	

2.5.3 GPIO OUTPUT REGISTER

TABLE 2-3: GPIO OUTPUT REGISTER

ADDRESS	REFER TO Table 2-1, "Register Summary"							8-bit	SIZE
POWER	VCC1							00h	VCC1 POR DEFAULT
BIT	D7	D6	D5	D4	D3	D2	D1	D0	
BC-LINK TYPE	R/W	R/W	R/W	R/W	R/W	R/W	R/W	R/W	
BIT NAME	GPIOx7	GPIOx6	GPIOx5	GPIOx4	GPIOx3	GPIOx2	GPIOx1	GPIOx0	

2.5.4 GPIO CONFIGURATION REGISTER

TABLE 2-4: GPIO CONFIGURATION REGISTER

ADDRESS	REFER TO Table 2-1, "Register Summary"						8-bit	SIZE	
POWER	VCC1						00h	VCC1 POR DEFAULT	
BIT	D7	D6	D5	D4	D3	D2	D1	D0	
BC-LINK TYPE	R	R/W	R/W	R/W	R/W	R/W	R	R/W	
BIT NAME	RES	ALT	DIR	TYPE		POL	RES	PU	

2.5.4.1 ALT

Alternate Function select. When this bit is 0, the primary pin function is selected. When this bit is 1, the alternate function is selected. See [Table 1-3, "Alternate Pin Functions"](#).

2.5.4.2 DIR, TYPE

The level/edge and output type are controlled by these fields. The effects are defined in [Table 2-5, "Direction, Level/Edge, Output Type Bit Definition"](#).

TABLE 2-5: DIRECTION, LEVEL/EDGE, OUTPUT TYPE BIT DEFINITION

Direction Bit 5	Type Bit 4	Type Bit 3	Selected Function
0	0	0	Input, Level Sensitive Low
0	0	1	Input, Rising Edge Triggered
0	1	0	Input, Falling Edge Triggered
0	1	1	Input, Both Edge Triggered
1	0	x	Output, Push-Pull
1	1	x	Output, Open Drain

In order to enable oscillator wakeup from Low Power Mode for any GPIO pin, the [GPIO Configuration Register](#) for that GPIO must be configured for Input in Bit 5). To enable oscillator wakeup from Low Power Mode for any pin that is an alternate function, the [GPIO Configuration Register](#) must still be configured for input. This applies to Keyscan pin functions and also PS/2 pin functions. PS/2 pin functions should be configured for edge triggering (TYPE field 01, 10 or 11). See [Section 2.6.4, "Clock Control"](#).

2.5.4.3 POL

When the **POL** bit is set to '1' the signal output is inverted when routed to its pin and the interrupt level sense is inverted when a level-sensitive interrupt is selected by the **DIR, TYPE** fields. POL does not affect any output when the **ALT** bit is "1". The state of the pin is always reported without inversion in the [GPIO Input Register](#).

2.5.4.4 PU

When this bit is 1, an internal pull-up resistor is connected to the pin. When this bit is 0, the pullup is disabled.

ECE1105

2.5.5 GPIO INTERRUPT STATUS REGISTER

TABLE 2-6: GPIO INTERRUPT STATUS REGISTER

ADDRESS	REFER TO Table 2-1, "Register Summary"						8-bit	SIZE	
POWER	VCC1						00h	VCC1 POR DEFAULT	
BIT	D7	D6	D5	D4	D3	D2	D1	D0	
BC-LINK TYPE	R/WC	R/WC	R/WC	R/WC	R/WC	R/WC	R/WC	R/WC	
BIT NAME	GPIOX7	GPIOX6	GPIOX5	GPIOX4	GPIOX3	GPIOX2	GPIOX1	GPIOX0	

A bit in a GPIOX Interrupt Status Register is set to 1 when the DIRECTION field for that bit in the corresponding GPIOX n Configuration Register is set for Input and the bit in the corresponding GPIOX Input Register matches the conditions defined by the TYPE field in the GPIOX Configuration Register. For example, if the TYPE field for GPIO X n is set for Level Sensitive Low, then bit n in the GPIOX Interrupt Status Register is set to 1 when bit n in the GPIOX Input Register is 0. If the TYPE field specifies edge triggering, then the Status Register bit is set when the Input Register bit transitions with the specified edge.

Writing a bit in a GPIOX Interrupt Status Register clears that bit. Writing a bit with a 0 has no effect.

2.5.6 GPIO INTERRUPT MASK REGISTER

TABLE 2-7: GPIO INTERRUPT MASK REGISTER

ADDRESS	REFER TO Table 2-1, "Register Summary"						8-bit	SIZE	
POWER	VCC1						00h	VCC1 POR DEFAULT	
BIT	D7	D6	D5	D4	D3	D2	D1	D0	
BC-LINK TYPE	R/W	R/W	R/W	R/W	R/W	R/W	R/W	R/W	
BIT NAME	GPIOX7 0 No Int 1 Int	GPIOX6 0 No Int 1 Int	GPIOX5 0 No Int 1 Int	GPIOX4 0 No Int 1 Int	GPIOX3 0 No Int 1 Int	GPIOX2 0 No Int 1 Int	GPIOX1 0 No Int 1 Int	GPIOX0 0 No Int 1 Int	

An interrupt is signaled on either BC_INT# or SMBus_INT# when a GPIOX bit in a [GPIO Interrupt Status Register](#) is 1 and the corresponding GPIOX bit in the [GPIO Interrupt Mask Register](#) is also 1.

2.6 Other Control Registers

2.6.1 OTHER INTERRUPT STATUS REGISTER

TABLE 2-8: OTHER INTERRUPT STATUS REGISTER

ADDRESS	F7h						8-bit	SIZE	
POWER	VCC1						00h	VCC1 POR DEFAULT	
BIT	D7	D6	D5	D4	D3	D2	D1	D0	
BC-LINK TYPE	R	R	R/WC	R/WC	R/WC	R/WC	R	R	
BIT NAME	Reserved	Reserved	TP WAKE	PS/2 WAKE	TP	PS/2	Reserved	Reserved	

2.6.1.1 Bit5 TP WAKE

This bit is set to 1 if there is a TP Wakeup event, which occurs when there is TP activity and the TP bit is set in the [Wakeup Control](#) register. It is cleared when written with a 1.

Note: An interrupt triggered by TP activity will automatically set the OSC Control bit in the [Clock Control](#) register to '0b'. This enables the ring oscillator, which will remain on until software clears the OSC Control bit.

2.6.1.2 Bit4 PS/2 WAKE

This bit is set to 1 if there is a PS/2 Wakeup event, which occurs when there is PS/2 activity and the PS/2 bit is set in the [Wakeup Control](#) register. It is cleared when written with a 1.

Note: An interrupt triggered by PS/2 activity will automatically set the OSC Control bit in the [Clock Control](#) register to '0b'. This enables the ring oscillator, which will remain on until software clears the OSC Control bit.

2.6.1.3 Bit5 TP

This bit is set to 1 if an interrupt is signaled (as defined by [Note 2-7](#), [Note 2-6](#) and [Note 2-5](#)) in the TP [Status Register](#). It is cleared when written with a 1.

2.6.1.4 Bit4 PS/2

This bit is set to 1 if an interrupt is signaled (as defined by [Note 2-7](#), [Note 2-6](#) and [Note 2-5](#)) in the PS/2 [Status Register](#). It is cleared when written with a 1.

2.6.2 OTHER INTERRUPT MASK REGISTER

TABLE 2-9: OTHER INTERRUPT MASK REGISTER

ADDRESS	F8h								8-bit	SIZE
POWER	VCC1								00h	VCC1 POR DEFAULT
BIT	D7	D6	D5	D4	D3	D2	D1	D0		
BC-LINK TYPE	R	R	R/W	R/W	R/W	R/W	R	R		
BIT NAME	Reserved	Reserved	TP WAKE	PS/2 WAKE	TP	PS/2	Reserved	Reserved		

2.6.2.1 Bit5 TP WAKE

The interrupt signal (BC_INT# in BC-LINK mode or SMB_INT# in SMBus mode) is asserted when this bit is 1 and Bit5 TP WAKE in the [Other Interrupt Status Register](#) is 1.

2.6.2.2 Bit4 PS/2 WAKE

The interrupt signal (BC_INT# in BC-LINK mode or SMB_INT# in SMBus mode) is asserted when this bit is 1 and Bit4 PS/2 WAKE in the [Other Interrupt Status Register](#) is 1.

2.6.2.3 Bit3 TP

The interrupt signal (BC_INT# in BC-LINK mode or SMB_INT# in SMBus mode) is asserted when this bit is 1 and Bit3 TP in the [Other Interrupt Status Register](#) is 1.

2.6.2.4 Bit2 PS/2

The interrupt signal (BC_INT# in BC-LINK mode or SMB_INT# in SMBus mode) is asserted when this bit is 1 and Bit2 PS/2 in the [Other Interrupt Status Register](#) is 1.

2.6.3 GROUP INTERRUPT STATUS

TABLE 2-10: GROUP INTERRUPT STATUS REGISTER

ADDRESS	F9h							8-bit	SIZE
POWER	VCC1							00h	VCC1 POR DEFAULT
BIT	D7	D6	D5	D4	D3	D2	D1	D0	
BC-LINK TYPE	R	R	R	R	R	R	R	R	
BIT NAME	Reserved	KSI	Other Interrupt	Grp4	Grp3	Grp2	Grp1	Grp0	

2.6.3.1 Bit6 KSI

0 No KSI interrupts asserted

1 At least one KSI interrupt asserted

2.6.3.2 Bit5 Other Interrupt

0 No interrupts detected in the [Other Interrupt Status Register](#)

1 Interrupt enabled in at least one of the bits in the [Other Interrupt Status Register](#)

2.6.3.3 Bit4 Grp4

0 No interrupts in GPIO Group 4

1 Interrupt in at least one of GPIO47-GPIO40

2.6.3.4 Bit3 Grp3

0 No interrupts in GPIO Group 3

1 Interrupt in at least one of GPIO37-GPIO30

2.6.3.5 Bit2 Grp2

0 No interrupts in GPIO Group2

1 Interrupt in at least one of GPIO27-GPIO20

2.6.3.6 Bit1 Grp1

0 No interrupts in GPIO Group1

1 Interrupt in at least one of GPIO17-GPIO10

2.6.3.7 Bit0 Grp0

0 No interrupts in GPIO Group0

1 Interrupt in at least one of GPIO07-GPIO00

2.6.4 CLOCK CONTROL

TABLE 2-11: CLOCK CONTROL REGISTER

ADDRESS	FAh							8-bit	SIZE
POWER	VCC1							00h	VCC1 POR DEFAULT
BIT	D7	D6	D5	D4	D3	D2	D1	D0	
BC-LINK TYPE	R	R	R	R/W	R/W	R/W	R/W	R/W	
BIT NAME	Reserved			ARA	Reserved	OSC Control	Interface Selection		

2.6.4.1 Bit4 ARA

If this bit is 1b and the SMBus interface is enabled (either by setting the Interface Selection field to 11b or by setting the Interface Selection field to 0xb and an SMBus transaction is detected), the ECE1105 will respond to an SMBus Alert Response Address Read Byte command as defined in the SMBus specification. If this bit is 0b, the ECE1105 will ignore the Alert Response Address at all times.

APPLICATION NOTE: Software must insure that the field Interface Selection in this register is '11b' (SMBus Interface enabled) before setting ARA to '1b'.

2.6.4.2 Bit2 OSC Control

0b Oscillator Enabled (Default)

1b Oscillator Low Power Enable.

The Oscillator may be stopped and once stopped may be restarted by activity on either the bus interface pins or on inputs that are enabled for interrupts. See [Section 2.6.5, "Wakeup Control"](#) for conditions that restart the Oscillator

When OSC Control is set to Low Power Enable (1b) the Oscillator will stop only when the SMBus or BC-Link and PS/2 are idle. This means:

- No Interrupts are pending

- No traffic is on the bus

- Transactions on the bus have completed

APPLICATION NOTE: When OSC Control is set to '1b', the ring oscillator will be shut down after every BC-Link or SMBus transaction completes and no interrupts are pending. The oscillator will restart when a wakeup enabled by the [Wakeup Control](#) registers occurs. The [Wakeup Control](#) register **must** be configured properly before setting OSC Control to '1b'.

2.6.4.3 Bit[1:0] Interface Selection

0Xb Autodetect Mode (default)

10b BC-Link interface enabled.

11b SMBus interface enabled

APPLICATION NOTE: The first access to the ECE1088ECE1105 must be a write to the [Clock Control](#) register to configure the Interface Selection field to the desired interface type (10b or 11b). This is required so that Oscillator control works properly and so that the bus type does not inadvertently switch during use.

ECE1105

2.6.5 WAKEUP CONTROL

The Wakeup Control Register determines which events restart the Oscillator when the Oscillator is in Low Power Mode.

TABLE 2-12: WAKEUP CONTROL REGISTER

ADDRESS	FBh						8-bit	SIZE
POWER	VCC1						00h	VCC1 POR DEFAULT
BIT	D7	D6	D5	D4	D3	D2	D1	D0
BC-LINK TYPE	R	R	R/W	R/W	R/W	R/W	R/W	R/W
BIT NAME	Reserved	Reserved	TP	PS/2	Keyscan	GPIO	BUS_DAT	BUS_CLK

2.6.5.1 Bit5 TP

0 TP START bit detection wakeup events do not affect the Oscillator

1 A TP START bit detection wakeup event will restart the Oscillator when the Oscillator is stopped in Low Power mode.

For edge detection on any TP pin the direction and edge configuration must be set in the GPIO Configuration registers for the GPIO pins that correspond to the TP pins.

Note: If the TP bit is 1 and TP interrupts are not enabled, an edge on the TP pins may cause the internal Oscillator to start without an interrupt informing the Master device that the Oscillator is operating.

2.6.5.2 Bit4 PS/2

0 PS/2 START bit detection wakeup events do not affect the Oscillator

1 A PS/2 START bit detection wakeup event will restart the Oscillator when the Oscillator is stopped in Low Power mode.

For edge detection on any PS/2 pin the direction and edge configuration must be set in the GPIO Configuration registers for the GPIO pins that correspond to the PS/2 pins.

Note: If the PS/2 bit is 1 and PS/2 interrupts are not enabled, an edge on the PS/2 pins may cause the internal Oscillator to start without an interrupt informing the Master device that the Oscillator is operating.

A Keyscan interrupt that is requested on any Keyscan pin for which Keyscan interrupts are enabled will restart the Oscillator when the Oscillator is stopped in Low Power mode.

For edge detection on any Keyscan pin the direction and edge configuration must be set in the GPIO Configuration registers for the GPIO pins that correspond to each Keyscan pin.

2.6.5.3 Bit2 GPIO

0 GPIO Interrupts do not affect the Oscillator

1 A GPIO interrupt that is requested on any GPIO pin for which GPIO function is selected and a GPIO interrupt is enabled will restart the Oscillator when the Oscillator is stopped in Low Power mode.

In order for edge detection to work on any GPIO pin the pin must be selected for input and the desired edges configured, as described in [Table 2-5, "Direction, Level/Edge, Output Type Bit Definition"](#), in the GPIO configuration register.

2.6.5.4 Bit1 BUS_DAT

0 The BUS_DAT signal (BC_DAT or SMB_DAT) does not affect the Oscillator

1 Either a rising edge or a falling edge on the BUS_DAT signal will restart the Oscillator when the Oscillator is stopped in Low Power mode.

2.6.5.5 Bit0 BUS_CLK

0 The BUS_Clk signal (BC_CLK or SMB_CLK) does not affect the Oscillator

1 Either a rising edge or a falling edge on the BUS_Clk signal will restart the Oscillator when the Oscillator is stopped in Low Power mode.

2.6.6 KEYBOARD SCAN REGISTERS

2.6.6.1 KSO Select

TABLE 2-13: KSO SELECT REGISTER

ADDRESS	40h				8-bit				SIZE
POWER	VCC1				40h				VCC1 POR DEFAULT
BIT	D7	D6	D5	D4	D3	D2	D1	D0	
BC-LINK TYPE	R/W	R/W	R/W	R/W	R/W	R/W	R/W	R/W	
BIT NAME	KSO INVERT	KSEN	KSO ALL	KSO Driver Select[4:0]					

2.6.6.1.1 Bit[7] KSO INVERT

KSO INVERT = 1 inverts KSO[22:0]. When KSO INVERT = 0 KSO[22:00] operate normally See [Table 2-15, "Keyboard Scan Out Control Summary," on page 24.](#)

2.6.6.1.2 Bit[6] KSEN

KSEN = 1 disables keyboard scan and drives. KSEN = 0 enables keyboard scan.

2.6.6.1.3 Bit[5] KSO ALL

KSO ALL = 1, drives all KSO lines according to KSO INVERT bit. See [Table 3.9, "Keyboard Scan Out Control summary," on page 23.](#)

2.6.6.1.4 Bits[4:0] KSO Driver Select

KSO Driver Select controls the corresponding KSO line (00000b = KSO[0] etc.) according to KSO INVERT. See [Table 2-14, "KSO Select Decode".](#)

TABLE 2-14: KSO SELECT DECODE

KSO Select [4:0]	KSO Selected
00h	KSO00
01h	KSO01
02h	KSO02
03h	KSO03
04h	KSO04
05h	KSO05
06h	KSO06
07h	KSO07
08h	KSO08
09h	KSO09
0Ah	KSO10
0Bh	KSO11
0Ch	KSO12
0Dh	KSO13

ECE1105

TABLE 2-14: KSO SELECT DECODE (CONTINUED)

KSO Select [4:0]	KSO Selected
0Eh	KSO14
0Fh	KSO15
10h	KSO16
11h	KSO17
12h	KSO18
13h	KSO19
14h	KSO20
15h	KSO21
16h	KSO22
17h - 1Fh	Reserved

TABLE 2-15: KEYBOARD SCAN OUT CONTROL SUMMARY

D7 KSO Invert	D6 KSEN	D5 KSO ALL	D[5:0] KSO Drivers Address	Description
X	1	x	x	Keyboard Scan disabled KSO[22:00] driven high.
0	0	0	10110b-00000b	KSO[Drive Selected] asserted low. All others de-asserted high
1	0	0	10110b-00000b	KSO[Drive Selected] de-asserted high. All others asserted low
0	0	0	11111b-10111b	ALL KSO's de-asserted high
1	0	-	11111b-10111b	All KSO's asserted low
0	0	1	x	KSO[22:0] drive low
1	0	1	x	KSO[22:00] driven high

2.6.6.2 KSI Input

TABLE 2-16: KSI INPUT REGISTER

ADDRESS	41h							8-bit	SIZE
POWER	VCC1							00h	VCC1 POR DEFAULT
BIT	D7	D6	D5	D4	D3	D2	D1	D0	
BC-LINK TYPE	R	R	R	R	R	R	R	R	
BIT NAME	KS7	KS6	KS5	KS4	KS3	KS2	KS1	KS0	

2.6.6.3 KSI Status

TABLE 2-17: KSI STATUS REGISTER

ADDRESS	42h							8-bit	SIZE
POWER	VCC1							00h	VCC1 POR DEFAULT
BIT	D7	D6	D5	D4	D3	D2	D1	D0	
BC-LINK TYPE	R/WC	R/WC	R/WC	R/WC	R/WC	R/WC	R/WC	R/WC	
BIT NAME	Status of KI7	Status of KSI6	Status of KSI5	Status of KSI4	Status of KSI3	Status of KSI2	Status of KSI1	Status of KSI0	

Note 2-1 The status bit is set by a falling edge of the KS input.

Note 2-2 Writing a 1 to a bit will clear that bit to 0.

2.6.6.3.1 Operation:

KSI interrupt is generated when one of the KSI signals transitions from High to Low (Edge Triggered). This interrupt will not be signalled again until all KSI signals are brought high and one then transitions low.

2.6.6.4 KSI Mask

TABLE 2-18: KSI INTERRUPT MASK REGISTER

ADDRESS	43h							8-bit	SIZE
POWER	VCC1							00h	VCC1 POR DEFAULT
BIT	D7	D6	D5	D4	D3	D2	D1	D0	
BC-LINK TYPE	R/W	R/W	R/W	R/W	R/W	R/W	R/W	R/W	
BIT NAME	KSI7 1= Inten 0= No Int	KSI6 1= Inten 0= No Int	KSI5 1= Inten 0= No Int	KSI4 1= Inten 0= No Int	KSI3 1= Inten 0= No Int	KSI2 1= Inten 0= No Int	KSI1 1= Inten 0= No Int	KSI0 1= Inten 0= No Int	

2.6.7 PS/2 INTERFACE

The PS/2 Device Interface has two independent Hardware Driven PS/2 ports. Each PS/2 serial channels use a synchronous serial protocol to communicate with an auxiliary device. Each PS/2 channel has Clock and Data signal lines. The signal lines are bi-directional and employ open drain outputs capable of sinking 16mA. A pull-up resistor, typically 10K, is connected to both lines. This allows either the ECE1105 PS/2 logic or the auxiliary device to drive the lines. Regardless of the drive source, the auxiliary device always provides the clock for transmit and receive operations. The serial packet is made up of eleven bits, listed in the order they appear on the data line: start bit, eight data bits (least significant bit first), odd parity, and stop bit. Each bit cell is from 60µS to 100µS long.

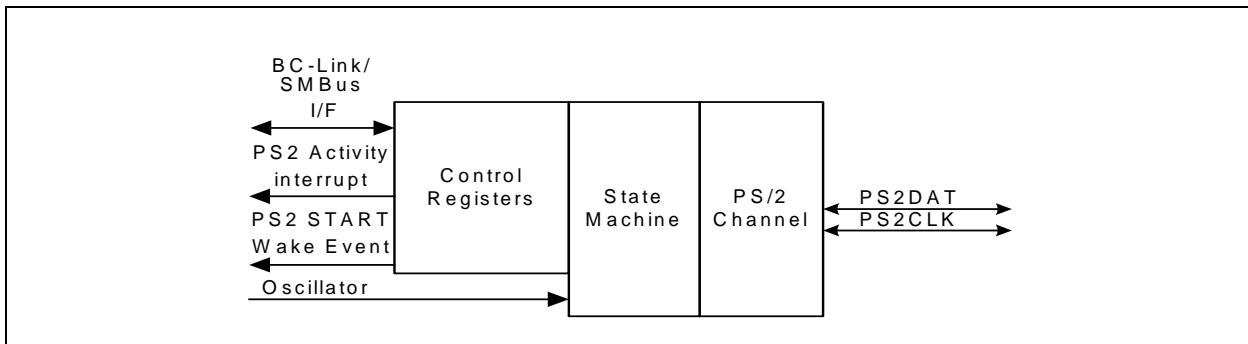
All PS/2 Serial Channel signals (CLK and DAT) are driven by open drain drivers which can be pulled to VCC1 or VCC2 (+3.3V nominal) through 10K-ohm resistors.

The ECE1105 supports a PS/2 Wake Interface The Wake interface restarts the internal Oscillator, which is used to control the PS/2 state machine.

The PS/2 Wake Interface is only active when the PS/2 signals and external pull-up resistors are powered by the VCC1 supply. The external pull-up resistor must always be powered by the same source as the PS/2 signals.

2.6.7.1 Block Diagram

FIGURE 2-2: PORT PS/2 BLOCK DIAGRAM



2.6.7.2 PS/2 Port Physical Layer Byte Transmission Protocol

The PS/2 physical layer transfers a byte of data via an eleven bit serial stream as shown in Table 3.13. A logic 1 is sent at an active high level. Data sent from a Keyboard or mouse device to the host is read on the falling edge of the clock signal. The Keyboard or mouse device always generates the signal. The Host may inhibit communication by pulling the Clock line low. The Clock line must be continuously high for at least 50 microseconds before the Keyboard or mouse device can begin to transmit its data. See Table 3.14, "PS/2 Port Physical Layer Bus States".

TABLE 2-19: PS/2 PORT PHYSICAL LAYER BYTE TRANSMISSION PROTOCOL

Bit	Function
1	Start bit (always 0)
2	Data bit 0 (least significant bit)
3	Data bit 1
4	Data bit 2
5	Data bit 3
6	Data bit 4
7	Data bit 5
8	Data bit 6
9	Data bit 7 (most significant bit)
10	Parity bit (odd / even or no parity)
11	Stop Bit (1, 0 or ignored)

FIGURE 2-3: PS/2 PORT PHYSICAL LAYER BYTE TRANSMISSION PROTOCOL

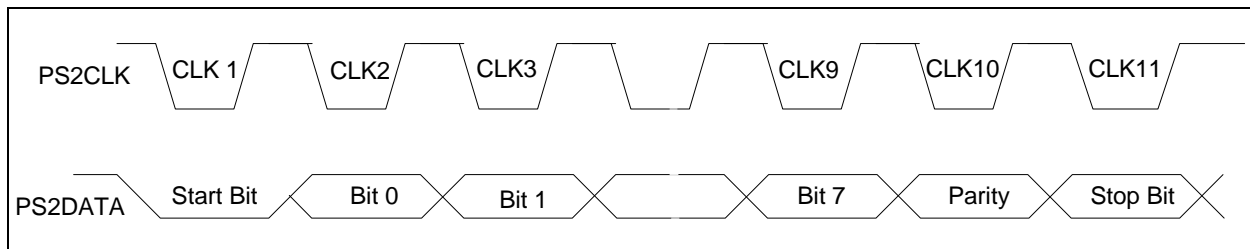


TABLE 2-20: PS/2 PORT PHYSICAL LAYER BUS STATES

Data	Clock	State
high	high	Idle
high	low	Communication Inhibited
low	low	Request to Send

2.6.7.3 Interrupts

Each of the two PS/2 Channels has both a PS/2 activity interrupt event and a START Bit detection Wake-up event. The activity interrupt event is routed to the [Other Interrupt Status Register](#). The START Bit detection wakeup event is routed to the [Wakeup Control Register](#).

APPLICATION NOTE: The GPIO Configuration registers for the pins that correspond to the PS/2 and the TP ports should be programmed to Input, Falling Edge Triggered, non-inverted polarity detection in order to enable PS/2 or TP START Bit detection wakeup events.

2.6.7.4 Registers

2.6.7.4.1 PS/2 TX/RX

The byte written to this register, when PS/2_T/R, PS/2_EN, and XMIT_IDLE are set, is transmitted automatically by the PS/2 channel control logic. If any of these three bits (PS/2_T/R, PS/2_EN, and XMIT_IDLE) are not set, then writes to this register are ignored. On successful completion of this transmission or upon a Transmit Time-out condition, the PS/2_T/R bit is automatically cleared and the XMIT_IDLE bit is automatically set. The PS/2_T/R bit must be written to a '1' before initiating another transmission to the remote device.

2.6.7.5 Transmit Buffer

TABLE 2-21: TRANSMIT BUFFER REGISTER

ADDRESS	PS/2: 50h TP: 54h							8-bit	SIZE
POWER	VCC1							00h	VCC1 POR DEFAULT
BYTE0 BIT	D7	D6	D5	D4	D3	D2	D1	D0	
TYPE	W								
BIT NAME	Transmit Data PS/2								

Even if PS/2_T/R, PS/2_EN, and XMIT_IDLE are all set, writing the Transmit Register will not kick off a transmission if RDATA_RDY is set. The automatic PS/2 logic forces data to be read from the Receive Register before allowing a transmission.

An interrupt is generated on the low to high transition of XMIT_IDLE.

All bits of this register are write only.

2.6.7.6 Receive Buffer

When PS/2_EN=1 and PS/2_T/R=0, the PS/2 Channel is configured to automatically receive data on that channel (both the CLK and DATA lines will float waiting for the peripheral to initiate a reception by sending a start bit followed by the data bits). After a successful reception, data is placed in this register and the RDATA_RDY bit is set and the CLK line is forced low by the PS/2 channel logic. RDATA_RDY is cleared and the CLK line is released to hi-z following a read of this register. This automatically holds off further receive transfers until the Master has had a chance to get the data.

TABLE 2-22: RECEIVE BUFFER REGISTER

ADDRESS	PS/2: 50h TP: 54h							8-bit	SIZE
POWER	VCC1							FFh	VCC1 POR DEFAULT
BYTE0 BIT	D7	D6	D5	D4	D3	D2	D1	D0	
TYPE	R								
BIT NAME	Receive Data								

The Receive Register is initialized to FFh after a read or after a Time-out has occurred.

The channel can be enabled to automatically transmit data (PS/2_EN=1) by setting PS/2_T/R while RDATA_RDY is set, however a transmission can not be kicked off until the data has been read from the Receive Register.

An interrupt is generated on the low to high transition of RDATA_RDY.

If a receive time-out (REC_TIMEOUT=1) or a transmit time-out (XMIT_TIMEOUT=1) occurs the channel is busied (CLK held low) for 300us (Hold Time) to ensure that the peripheral aborts. Writing to the Transmit Register will be allowed, however the data written will not be transmitted until the Hold Time expires.

All bits in this register are read only.

Note 2-3 In receive mode the RX_BUSY bit for a particular channel is set in the [PS/2 Status Register](#).

2.6.7.7 Control

TABLE 2-23: CONTROL REGISTER

ADDRESS	PS/2: 51h TP: 55h							8-bit	SIZE
POWER	VCC1							00h	VCC1 POR DEFAULT
BYTE0 BIT	D7	D6	D5	D4	D3	D2	D1	D0	
TYPE	R	R	R/W		R/W		R/W	R/W	
BIT NAME	RES	RES	STOP		PARITY		PS/2_ EN	PS/2_ T/R	

2.6.7.7.1 STOP

These bits are used to set the level of the stop bit expected by the PS/2 channel state machine. These bits are therefore only valid when PS/2_EN is set.

00=Receiver expects an active high stop bit.

01=Receiver expects an active low stop bit.

10=Receiver ignores the level of the Stop bit (11th bit is not interpreted as a stop bit).

11=Reserved.

2.6.7.7.2 PARITY

These bits are used to set the parity expected by the PS/2 channel state machine. These bits are therefore only valid when PS/2_EN is set.

00=Receiver expects Odd Parity (default).

01=Receiver expects Even Parity.

10=Receiver ignores level of the parity bit (10th bit is not interpreted as a parity bit).

11=Reserved

This register should be read to determine the status of Bits[1:0] prior to clearing by writing a 1 to that bit.

2.6.7.7.3 PS/2_EN

PS/2 Channel ENable (default = 0). When PS/2_EN is set, the PS/2 State machine is enabled allowing the channel to perform automatic reception or transmission depending on the bit value of PS/2_T/R. When PS/2_EN is cleared, the channel's automatic PS/2 state machine is disabled and the PW/2 channel's CLK pin driven low and DATA pin not driven.

Note: If the PS/2_EN bit is cleared prior to the leading edge (falling edge) of the 10th (parity bit) clock edge the receive data is discarded (RDATA_RDY remains low). If the PS/2_EN bit is cleared following the leading edge of the 10th clock signal, then the receive data is saved in the Receive Register (RDATA_RDY goes high) assuming no parity error.

2.6.7.7.4 PS/2_T/R

PS/2 Channel Transmit/Receive (default = 0). Configures the PS/2 logic for automatic transmission when set or reception when cleared. This bit is only valid when PS/2_EN is set.

When set the PS/2 channel is enabled to transmit data. To properly initiate a transmit operation, this bit must be set prior to writing to the Transmit Register. Writes to the Transmit Register are blocked when this bit is cleared. Upon setting the PS/2_T/R bit, the channel will drive its CLK line low and then float the DATA line and hold this state until a write occurs to the Transmit Register or until the PS/2_T/R bit is cleared. Writing to the Transmit Register initiates the transmit operation. ECE1105 drives the data line low and, within 80ns, floats the clock line (externally pulled high by the pull-up resistor) to signal to the external PS/2 device that data is now available. The PS/2_T/R bit is cleared on the 11th clock edge of the transmission or if a Transmit Time-out error condition occurs.

Note: If the PS/2_T/R bit is set while the channel is actively receiving data prior to the leading edge of the 10th (parity bit) clock edge, the receive data is discarded. If this bit is not set prior to the 10th clock signal, then the receive data is saved in the Receive Register.

When the PS/2_T/R bit is cleared, the PS/2 channel is enabled to receive data. Upon clearing this bit, if RDATA_RDY is also cleared, the channel's CLK and DATA will float waiting for the external PS/2 device to signal the start of a transmission. If the PS/2_T/R bit is set while RDATA_RDY is set, then the channel's DATA line will float but its CLK line will be held low, holding off the peripheral, until the Receive Register is read.

2.6.7.8 Status

TABLE 2-24: STATUS REGISTER

ADDRESS	PS/2: 52h TP: 56h		8-bit					SIZE	
POWER	VCC1		10h					VCC1 POR DEFAULT	
BYTE0 BIT	D7	D6	D5	D4	D3	D2	D1	D0	
TYPE	R/WC	R	R/WC	R	R/WC	R/WC	R/WC	R	
BIT NAME	XMIT_ START_ TIMEOUT	RX_ BUSY A	XMIT_ TIMEOUT	XMIT_ IDLE	FE	PE	REC_ TIMEOUT	RDAT_ RDY	

PROGRAMMER'S NOTE: This register should be read to determine the status of Bits[7,5,3,2,1] prior to clearing by writing a 1 to that bit.

2.6.7.8.1 XMIT_START_TIMEOUT

When the XMIT_START_TIMEOUT bit is set, a start bit was not received within 25 ms following the transmit start event. Writing a '1' to the bit clears the XMIT_START_TIMEOUT bit. The XMIT_START_TIMEOUT bit is a 'sticky' bit and is intended to uniquely indicate the status of the transmit start bit time-out condition. These bit affect no other logic. Note that the transmit start bit time-out condition is also indicated by the XMIT_TIMEOUT bit.

PROGRAMMER'S NOTE: Always check that a PS/2 channel is idle, i.e. the RX_BUSY bit is clear, before attempting to transmit on that channel. Receive data may be lost by setting a PS/2 channel to transmit while the RX_BUSY bit is set depending where in the message frame the transmit mode change occurs.

This bit is cleared when written with a 1.

2.6.7.8.2 RX_BUSY

When a RX_BUSY bit is set, the associated channel is actively receiving PS/2 data; when a RX_BUSY bit is clear, the channel is idle. See [Note 2-3 on page 28](#).

Note 2-4 The Busy bit is set upon detection of a Start bit.

2.6.7.8.3 XMIT_TIMEOUT

When the XMIT_TIMEOUT bit is set, the PS/2_T/R bit is held clear, the PS/2 channel's CLK line is pulled low for a minimum of 300us until the PS/2 Status register is read. The XMIT_TIMEOUT bit is set on one of three transmit conditions: when the transmitter bit time (time between falling edges) exceeds 300us, when the transmitter start bit is not received within 25ms from signaling a transmit start event or if the time from the first bit (start) to the 10th bit (parity) exceeds 2ms.

This bit is cleared when written with a 1.

2.6.7.8.4 XMIT_IDLE

Transmitter Idle: When low, the XMIT_IDLE bit is a status bit indicating that the PS/2 channel is actively transmitting data to the PS/2 peripheral device. Writing to the Transmit Register when the channel is ready to transmit will cause the XMIT_IDLE bit to clear and remain clear until one of the following conditions occur: the falling edge of the 11th CLK, XMIT_TIMEOUT is set; the PS/2_T/R bit is cleared or the PS/2_EN bit is cleared.

Note 2-5 An interrupt is generated on the low-to-high transition of XMIT_IDLE.

2.6.7.8.5 FE

Framing Error: When receiving data, the stop bit is clocked in on the falling edge of the 11th CLK edge. If the channel is configured to expect either a high or low stop bit and the 11th bit is contrary to the expected stop polarity, then the FE and REC_TIMEOUT bits are set following the falling edge of the 11th CLK edge and an interrupt is generated.

This bit is cleared when written with a 1.

2.6.7.8.6 PE

Parity Error: When receiving data, the parity bit is clocked in on the falling edge of the 10th CLK edge. If the channel is configured to expect either even or odd parity and the 10th bit is contrary to the expected parity, then the PE and REC_TIMEOUT bits are set following the falling edge of the 10th CLK edge and an interrupt is generated.

This bit is cleared when written with a 1.

2.6.7.8.7 REC_TIMEOUT

Following assertion of the REC_TIMEOUT bit, the channel's CLK line is automatically pulled low for a minimum of 300us until the PS/2 status register is read. Under PS/2 automatic operation, PS/2_EN is set, this bit is set on one of three receive error conditions:

When the receiver bit time (time between falling edges) exceeds 300us.

If the time from the first bit (start) to the 10th bit (parity) exceeds 2ms.

On a receive parity error along with the Parity Error (PE) bit.

On a receive framing error due to an incorrect STOP bit along with the framing error (FE) bit.

This bit is cleared when written with a 1.

Note 2-6 An Interrupt is generated on the low-to-high transition of the REC_TIMEOUT bit.

2.6.7.8.8 RDATA_RDY

Receive Data Ready: Under normal operating conditions, this bit is set following the falling edge of the 11th clock given successful reception of a data byte from the PS/2 peripheral (i.e., no parity, framing, or receive time-out errors) and indicates that the received data byte is available to be read from the Receive Register. This bit may also be set in the event that the PS/2_EN bit is cleared following the 10th CLK edge. Reading the Receive Register clears this bit.

Note 2-7 An Interrupt is generated on the low-to-high transition of the RDATA_RDY bit.

2.6.8 DEVICE ID REGISTER

TABLE 2-25: DEVICE ID REGISTER

ADDRESS	FCh								8-bit	SIZE
POWER	VCC1								42h	VCC1 POR DEFAULT
BIT	D7	D6	D5	D4	D3	D2	D1	D0		
BC-LINK TYPE	R	R	R	R	R	R	R	R	R	
ECE1105	42h									

TABLE 2-26: DEVICE REVISION REGISTER

ADDRESS	FDh								8-bit	SIZE
POWER	VCC1								00h	VCC1 POR DEFAULT
BIT	D7	D6	D5	D4	D3	D2	D1	D0		
BC-LINK TYPE	R	R	R	R	R	R	R	R	R	
BIT NAME	Current Revision Number									

TABLE 2-27: VENDOR ID (LSB) REGISTER

ADDRESS	FEh								8-bit	SIZE
POWER	VCC1								55h	VCC1 POR DEFAULT
BIT	D7	D6	D5	D4	D3	D2	D1	D0		
BC-LINK TYPE	R	R	R	R	R	R	R	R	R	
BIT NAME	55h									

ECE1105

TABLE 2-28: VENDOR ID (MSB) REGISTER

ADDRESS	FFh								8-bit	SIZE
POWER	VCC1								10h	VCC1 POR DEFAULT
BIT	D7	D6	D5	D4	D3	D2	D1	D0		
BC-LINK TYPE	R	R	R	R	R	R	R	R	R	
BIT NAME	10h									

2.6.9 RESET REGISTER

TABLE 2-29: RESET REGISTER

ADDRESS	F5H								8-bit	SIZE
POWER	VCC1								00h	VCC1 POR DEFAULT
BIT	D7	D6	D5	D4	D3	D2	D1	D0		
BC-LINK TYPE	R	R	R	R	R	R	R	R	W	
BIT NAME	Reserved									Force_POR

2.6.9.1 Force_POR

Writing this bit with a 1 will force a VCC1 POR. All registers and state machines in the device will be reset to their default power-on values. Writing a 0 to this bit has no effect. This is a self clearing bit.

Note: The Force_POR bit does not affect the **Interface Selection** setting of the [Clock Control](#) register. Whichever bus interface is in effect at the time Force_POR is set (BC-Link or SMBus) will remain in effect after the POR.

2.6.10 MCHP TEST REGISTER

TABLE 2-30: MCHP TEST REGISTER

ADDRESS	F6H								8-bit	SIZE
POWER	VCC1								00h	VCC1 POR DEFAULT
BIT	D7	D6	D5	D4	D3	D2	D1	D0		
BC-LINK TYPE	R	R	R	R	R	R	R	R	R	
BIT NAME	Reserved	Reserved	Reserved	Reserved	Reserved	Reserved	Reserved	Reserved	Reserved	Reserved

2.6.10.1 RESERVED

Reserved for Microchip test purposes. Should not be written.

2.7 SMBus / BC-Link Autodetect Circuit

2.7.1 OVERVIEW

For either the SMBus or the BC-Link, by detecting difference in start conditions, the Bus type is indicated. From an idle condition, the device will sample the data line on the first falling edge of the clock. If it is low, a SMBus interface is selected; if it is high, a BC-Link interface is selected. The idle condition is defined as a POR or no activity for 75 ms. To safeguard against glitches selecting the wrong bus and locking the system, the device use time-outs that reload on a start from the respective bus interface. For SMBus, the timeout is 75 ms. For BC-Link, the timeout is 75 μ s.

2.8 SMBus Slave Interface

The host processor communicates with the ECE1105 device through a series of read/write registers via the SMBus interface. SMBus is a serial communication protocol between a computer host and its peripheral devices.

The SMBus data rate is 10KHz minimum to 400 KHz maximum.

2.8.1 CLOCKING

The SMBus Slave interface is driven by an internal Ring Oscillator. This oscillator runs at a nominal frequency of 32MHz. The oscillator is also used to drive the PS/2 state machine used in the PS/2 and TP ports.

The Ring Oscillator may be started and stopped through firmware interactions. The that controls the operation of the Oscillator is described in [Section 2.6.4, "Clock Control"](#) and [Section 2.6.5, "Wakeup Control"](#).

2.8.2 SLAVE ADDRESS

Upon power up, the ECE1105 device will be placed into Address Select mode and assign itself an SMBus address according to the Address Select input. The device will latch the address during the first valid SMBus transaction in which the first five bits of the targeted address match those of the ECE1105 address. This feature eliminates the possibility of a glitch on the SMBus interfering with address selection.

TABLE 2-31: SMBUS SLAVE ADDRESS OPTIONS

Address Select	Board Implementation	SMBus Address [7:1]
0	Address Select Pulled to ground through a 10k Ω resistor	0111 000b
1	Address Select pulled to VCC1 through a 10k Ω resistor	0111 001b

2.8.3 SLAVE BUS INTERFACE

The ECE1105 device SMBus implementation is a subset of the SMBus interface to the host. The device is a *slave-only* SMBus device. The implementation in the device is a subset of SMBus since it only supports four protocols.

The Write Byte, Read Byte, Send Byte, and Receive Byte protocols are the only valid SMBus protocols for the device. This part responds to other protocols as described in the Invalid Protocol Section. Reference the System Management Bus Specification, Rev 2.0.

The SMBus interface is used to read and write the registers in the device. The register set is shown in [Table 2-1, "Register Summary"](#).

2.8.4 WRITE BYTE

The Write Byte protocol is used to write data to the registers. The data will only be written if the protocol shown in [Table 2-32, "SMBus Write Byte Protocol"](#) is performed correctly. Only one byte is transferred at time for a Write Byte protocol.

TABLE 2-32: SMBUS WRITE BYTE PROTOCOL

Field	Start	Slave Addr	Wr	Ack	Reg. Addr	Ack	Reg. Data	Ack	Stop
Bits	1	7	1	1	8	1	8	1	1

ECE1105

2.8.5 READ BYTE

The Read Byte protocol is used to read data from the registers. The data will only be read if the protocol shown in [Table 2-33, "SMBus Read Byte Protocol"](#) is performed correctly. Only one byte is transferred at time for a Read Byte protocol.

TABLE 2-33: SMBUS READ BYTE PROTOCOL

Field:	Start	Slave Addr	Wr	Ack	Reg. Addr	Ack	Start	Slave Addr	Rd	Ack	Reg. Data	Nack	Stop
Bits:	1	7	1	1	8	1	1	7	1	1	8	1	1

2.8.6 SEND BYTE

The Send Byte protocol is used to set the Internal Address Register to the correct register in the ECE1105. No data is transferred for a Send Byte protocol. The send byte protocol is shown in [Table 2-34, "SMBus Send Byte Protocol"](#).

TABLE 2-34: SMBUS SEND BYTE PROTOCOL

Field:	Start	Slave Addr	Wr	Ack	Reg. Addr	Ack	Stop
Bits:	1	7	1	1	8	1	1

2.8.7 RECEIVE BYTE

The Receive Byte protocol is used to read data from the registers when the register address is known to be at the desired address (using the Internal Address Register). Only one byte is transferred at time for a Receive Byte protocol.

TABLE 2-35: SMBUS RECEIVE BYTE PROTOCOL

Field:	Start	Slave Addr	Rd	Ack	Reg. Data	Nack	Stop
Bits:	1	7	1	1	8	1	1

Note: Some simple devices do not contain a clock low drive circuit; this simple kind of device typically may reset its communications port after a start or stop condition.

2.8.8 STRETCHING THE SCLK SIGNAL

The ECE1105 supports stretching of the SCLK by other devices on the SMBus.

2.8.9 SMBUS TIMING

The SMBus Slave Interface complies with the SMBus AC Timing Specification. See the SMBus timing diagram shown in [Section 4.2, "SMBus Timing"](#).

2.8.10 SMBUS ALERT RESPONSE ADDRESS

This device responds to protocols with the SMBus Alert Response Address of 0001_100 if the ARA bit in the [Clock Control](#) register is set.

2.8.11 SMBUS TIME-OUT

The ECE1105 includes an SMBus time-out feature. Following a 30 ms period of inactivity on the SMBus, the device time-out and reset the SMBus interface.

2.9 BC-Link Interface

The BC-Link is a proprietary bus that allows communication between a Master device and a Companion device. The Master device uses this serial bus to read and write registers located on the Companion device.

The bus comprises three signals, BC_CLK, BC_DAT and BC_INT#. The Master device always provides the clock, BC_CLK, and the Companion device is the source for an independent asynchronous interrupt signal, BC_INT#.

The ECE1105 supports BC-Link speeds up to 24MHz.

3.0 OPERATIONAL DESCRIPTION

3.1 Maximum Ratings

Maximum V_{CC1}	+5V
Negative Voltage on any pin, with respect to Ground	-0.3V
Operating Temperature Range.....	0°C to +70°C
Storage Temperature Range.....	-55° to +150°C
Lead Temperature Range	Refer to JEDEC Spec. J-STD-020

Note: Stresses above those listed above and below could cause permanent damage to the device. This is a stress rating only and functional operation of the device at any other condition above those indicated in the operation sections of this specification is not implied. When powering this device from laboratory or system power supplies, it is important that the Absolute Maximum Ratings not be exceeded or device failure can result. Some power supplies exhibit voltage spikes on their outputs when the AC power is switched on or off. In addition, voltage transients on the AC power line may appear on the DC output. If this possibility exists, it is suggested that a clamp circuit be used.

3.2 DC Electrical Characteristics

TABLE 3-1: DC ELECTRICAL CHARACTERISTICS $T_A = 0^{\circ}\text{C} - 70^{\circ}\text{C}$, $V_{CC1} = +3.3\text{ V} \pm 10\%$

Parameter	Symbol	MIN	TYP	MAX	Units	Comments
I Type Input Buffer						
Low Input Level	V_{ILI}			0.8	V	TTL Levels
High Input Level	V_{IHI}	2.0		5.5	V	
ISP Type Input Buffer with 90 μA Pull-up						Note 3-1 Schmitt Trigger
Low Input Level	V_{ILIS}			0.8	V	Schmitt Trigger
High Input Level	V_{IHIS}	2.2		5.5	V	
Schmitt Trigger Hysteresis	V_{HYS}		100		mV	
IP/O8 Type Buffer with 90 μA Pull-up						Note 3-1 TTL Levels
Low Input Level	V_{ILI}			0.8	V	
High Input Level	V_{IHI}	2.0		5.5	V	$I_{OL} = 8\text{mA}$
Low Output Level	V_{OL}			0.4	V	$I_{OH} = -4\text{mA}$
High Output Level	V_{OH}	2.4		$V_{CC1} + 0.3$	V	
I/O8 Type Buffer						TTL Levels
Low Input Level	V_{ILI}			0.8	V	
High Input Level	V_{IHI}	2.0		5.5	V	
Low Output Level	V_{OL}			0.4	V	$I_{OL} = 8\text{mA}$
High Output Level	V_{OH}	2.4		$V_{CC1} + 0.3$	V	$I_{OH} = -4\text{mA}$
O8 Type Buffer						
Low Output Level	V_{OL}			0.4	V	$I_{OL} = 8\text{mA}$
High Output Level	V_{OH}	2.4		$V_{CC1} + 0.3$	V	$I_{OH} = -4\text{mA}$

ECE1105

TABLE 3-1: DC ELECTRICAL CHARACTERISTICS $T_A = 0^{\circ}\text{C} - 70^{\circ}\text{C}$, $V_{CC1} = +3.3\text{ V} \pm 10\%$

Parameter	Symbol	MIN	TYP	MAX	Units	Comments
IP/O12 Type Buffer with 90 μA Pull-up						Note 3-1
Low Input Level	V_{IL}			0.8	V	TTL Levels
High Input Level	V_{IH}	2.0		5.5	V	
Low Output Level	V_{OL}			0.4	V	$I_{OL} = 12\text{mA}$
High Output Level	V_{OH}	2.4		$V_{CC1} + 0.3$	V	$I_{OH} = -6\text{mA}$
Leakage Current (ALL – except Buffers)						Note 3-2
Input High Current	$I_{LEAK_{IH}}$			10	μA	$V_{IN} = V_{CC1}$
Input Low Current	$I_{LEAK_{IL}}$			-10	μA	$V_{IN} = 0\text{V}$
5V Tolerant Pins						$V_{CC1} = 3.3\text{V}$
Input High Current	$I_{LEAK_{IH}}$			100	μA	$V_{IN} = 5.5\text{V Max}$
Input High Current	$I_{LEAK_{IH}}$			10	μA	$V_{IN} \leq V_{CC1}$
Input Low Current	$I_{LEAK_{IL}}$			-10	μA	$V_{IN} = 0\text{V}$
V_{CC1} Supply Current Active	I_{CC}		3	8	mA	measured with SMBus/BC-Link traffic
V_{CC1} Supply Current Active with Ring Oscillator Off	I_{CC}			500	μA	measured with Ring Oscillator off (OCS Control bit set to Oscillator Low Power Enable mode)
Reset Voltage	V_{RST}	1.6	1.8	2.1	V	Device is in internal reset state when V_{CC1} is below min V_{RST}
<ul style="list-style-type: none"> • Voltages are measured from the local ground potential, unless otherwise specified. • Typicals are at $T_A = 25^{\circ}\text{C}$ and represent most likely parametric norm. • The maximum allowable power dissipation at any temperature is $PD = (T_{Jmax} - T_A) / QJA$. • Timing specifications are tested at the TTL logic levels, $V_{IL} = 0.4\text{V}$ for a falling edge and $V_{IH} = 2.4\text{V}$ for a rising edge. TRI-STATE output voltage is forced to 1.4V. • All pins except power and ground are 5V tolerant. 						

Note 3-1 90 μA Pull-up with +/- 40% variation

Note 3-2 leakage currents are measured with all pins in high impedance.

3.3 AC Timing Specifications

Refer to the LSBC Bus Specification.

3.4 Capacitance Values for Pins

CAPACITANCE $T_A = 25^{\circ}\text{C}$; $f_c = 1\text{MHz}$; $V_{CC1} = 3.3\text{V} \pm 10\%$

TABLE 3-2: CAPACITANCE VALUES FOR PINS

Parameter	Symbol	Limits			Unit	Test Condition
		MIN	TYP	MAX		
Clock Input Capacitance	C_{IN}			20	pF	All pins except pin under test tied to AC ground
Input Capacitance	C_{IN}			10	pF	
Output Capacitance	C_{OUT}			20	pF	

Note 3-3 The input capacitance of a port is measured at the connector pins.

ECE1105

4.0 TIMING DIAGRAMS

4.1 V_{CC1} Power

FIGURE 4-1: V_{CC1} POWER

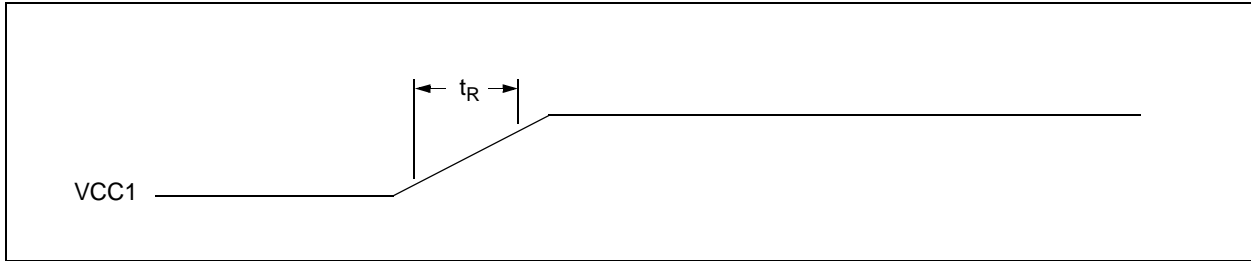


TABLE 4-1: V_{CC1} POWER PARAMETERS

Symbol	Parameter	Limits		Units	Comments
		Min	Max		
t_R	V_{CC1} Rise time, 10% to 90%	0.150	30	msec	

4.2 SMBus Timing

FIGURE 4-2: SMBUS TIMING

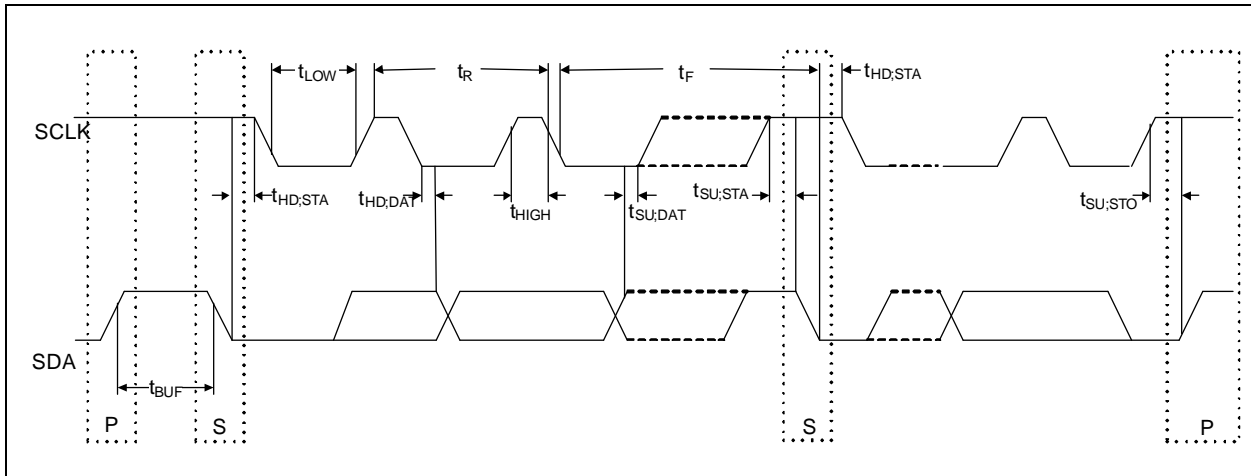


TABLE 4-2: SMBUS TIMING PARAMETERS

Symbol	Parameter	Limits		Units	Comments
		Min	Max		
Fsmb	SMB Operating Frequency	10	400	KHz	Note 4-1
Tsp	Spike Suppression		50	ns	Note 4-2
Tbuf	Bus free time between Stop and Start Condition	1.3		μs	
Thd:sta	Hold time after (Repeated) Start Condition. After this period, the first clock is generated.	0.6		μs	
Tsu:sta	Repeated Start Condition setup time	0.6		μs	
Tsu:sto	Stop Condition setup time	0.6		μs	
Thd:dat	Data hold time	0.3	0.9	μs	
Tsu:dat	Data setup time	100		ns	Note 4-3
Tlow	Clock low period	1.3		μs	
Thigh	Clock high period	0.6		μs	
Tf	Clock/Data Fall Time	$20+0.1C_b$	300	ns	
Tr	Clock/Data Rise Time	$20+0.1C_b$	300	ns	
C _b	Capacitive load for each bus line		400	pF	

Note 4-1 The max SMBus timing operating frequency exceeds that specified in the System Management Bus Specification, Rev 1.1, but corresponds to the maximum clock frequency for fast mode devices on the I²C bus (see the I²C Bus Specification).

Note 4-2 At 400kHz, the input filter suppresses spikes of a maximum pulse width of 50ns.

Note 4-3 if using 100 KHz clock frequency, the next data bit output to the SDA line will be 1250 ns (1000 ns (TR max) + 250 ns (TSU:DAT min) @ 100 kHz) before the SCLK line is released.

4.3 PS/2 Interface Timing Diagrams

FIGURE 4-3: PS/2 TRANSMIT TIMING

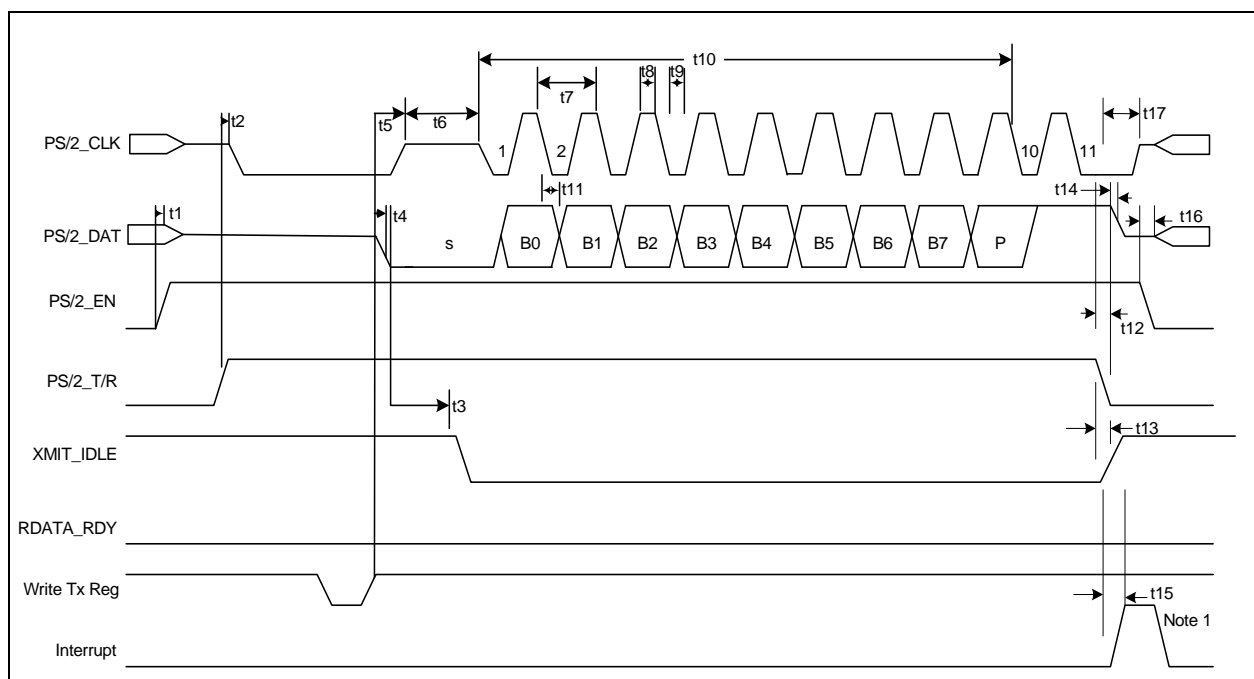


TABLE 4-3: PS/2 CHANNEL TRANSMISSION TIMING PARAMETERS

NAME	DESCRIPTION	MIN	TYP	MAX	UNITS
t1	The PS/2 Channel's CLK and DATA lines are floated following PS/2_EN=1 and PS/2_T/R=0.			1000	ns
t2	PS/2_T/R bit set to CLK driven low preparing the PS/2 Channel for data transmission.				
t3	CLK line floated to XMIT_IDLE bit deasserted.			1.7	µs
t4	Trailing edge of 8051 WR of Transmit Register to DATA line driven low.	45		90	ns
t5	Trailing edge of EC WR of Transmit Register to CLK line floated.	90		130	
t6	Initiation of Start of Transmit cycle by the PS/2 channel controller to the auxiliary peripheral's responding by latching the Start bit and driving the CLK line low.	0.002		25.003	ms
t7	Period of CLK	60		302	µs
t8	Duration of CLK high (active)	30		151	
t9	Duration of CLK low (inactive)				
t10	Duration of Data Frame. Falling edge of Start bit CLK (1st clk) to falling edge of Parity bit CLK (10th clk).			2.002	ms
t11	DATA output by ECE1105 following the falling edge of CLK. The auxiliary peripheral device samples DATA following the rising edge of CLK.	3.5		7.1	µs
t12	Rising edge following the 11th falling clock edge to PS_T/R bit driven low.	0		800	ns
t13	Trailing edge of PS_T/R to XMIT_IDLE bit asserted.			500	
t14	DATA released to high-Z following the PS/2_T/R bit going low.				
t15	XMIT_IDLE bit driven high to interrupt generated. Note1- Interrupt is cleared by writing a 1 to the status bit2 in Table 2-8, "Other Interrupt Status Register" .				
t16	The PS/2 Channel's CLK and DATA lines are driven to the values stored in the WR_CLK and WR_DATA bits of the Control Register when PS/2_EN is written to 0.				
t17	Trailing edge of CLK is held low prior to going high-Z				

FIGURE 4-4: PS/2 RECEIVE TIMING

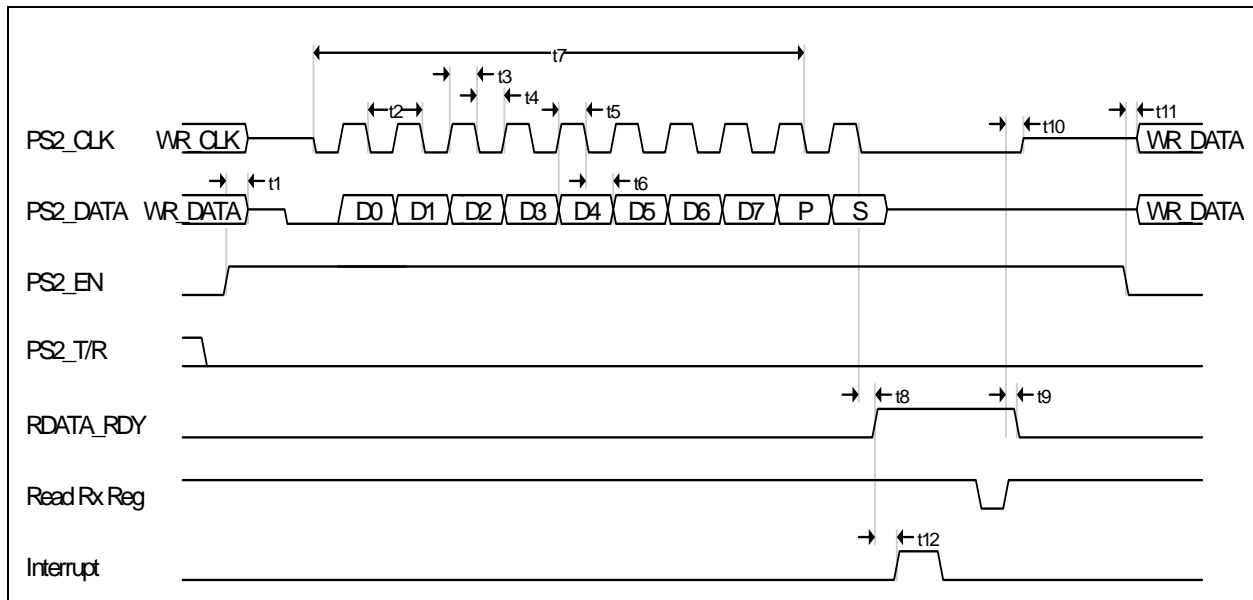


TABLE 4-4: PS/2 CHANNEL RECEIVE TIMING DIAGRAM PARAMETERS

Name	Description	MIN	TYP	MAX	Units
t1	The PS/2 Channel's CLK and DATA lines are floated following PS/2_EN=1 and PS/2_T/R=0.			1000	ns
t2	Period of CLK	60		302	μ s
t3	Duration of CLK high (active)	30		151	
t4	Duration of CLK low (inactive)				
t5	DATA setup time to falling edge of CLK. ECE1105 samples the data line on the falling CLK edge.	1			
t6	DATA hold time from falling edge of CLK. ECE1105 samples the data line on the falling CLK edge.	2			
t7	Duration of Data Frame. Falling edge of Start bit CLK (1st clk) to falling edge of Parity bit CLK (10th clk).			2.002	ms
t8	Falling edge of 11th CLK to RDATA_RDY asserted.			1.6	μ s

ECE1105

TABLE 4-4: PS/2 CHANNEL RECEIVE TIMING DIAGRAM PARAMETERS (CONTINUED)

Name	Description	MIN	TYP	MAX	Units
t9	Trailing edge of the EC's RD signal of the Receive Register to RDATA_RDY bit deasserted.			500	ns
t10	Trailing edge of the EC's RD signal of the Receive Register to the CLK line released to high-Z.				
t11	The PS/2 Channel's CLK and DATA lines are driven to the values stored in the WR_CLK and WR_DATA bits of the Control Register when PS/2_EN is written to 0.				
t12	RDATA_RDY asserted an interrupt is generated. Note: Interrupt is cleared by writing a 1 to the bit3 in Table 2-8, "Other Interrupt Status Register" .				

5.0 PACKAGE OUTLINE

FIGURE 5-1: PACKAGE OUTLINE: 48-PIN QFN BODY 7X7 MM BODY

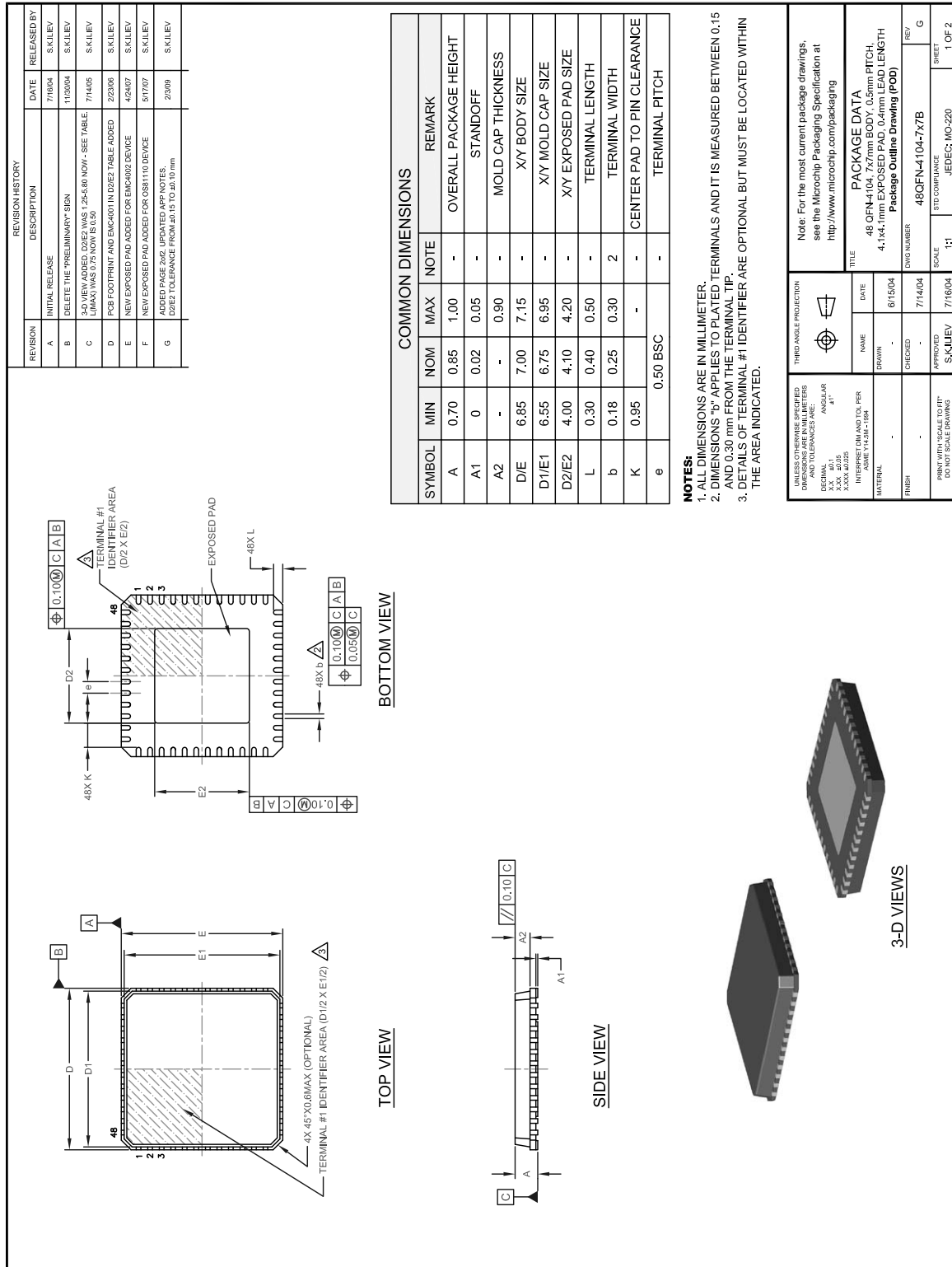
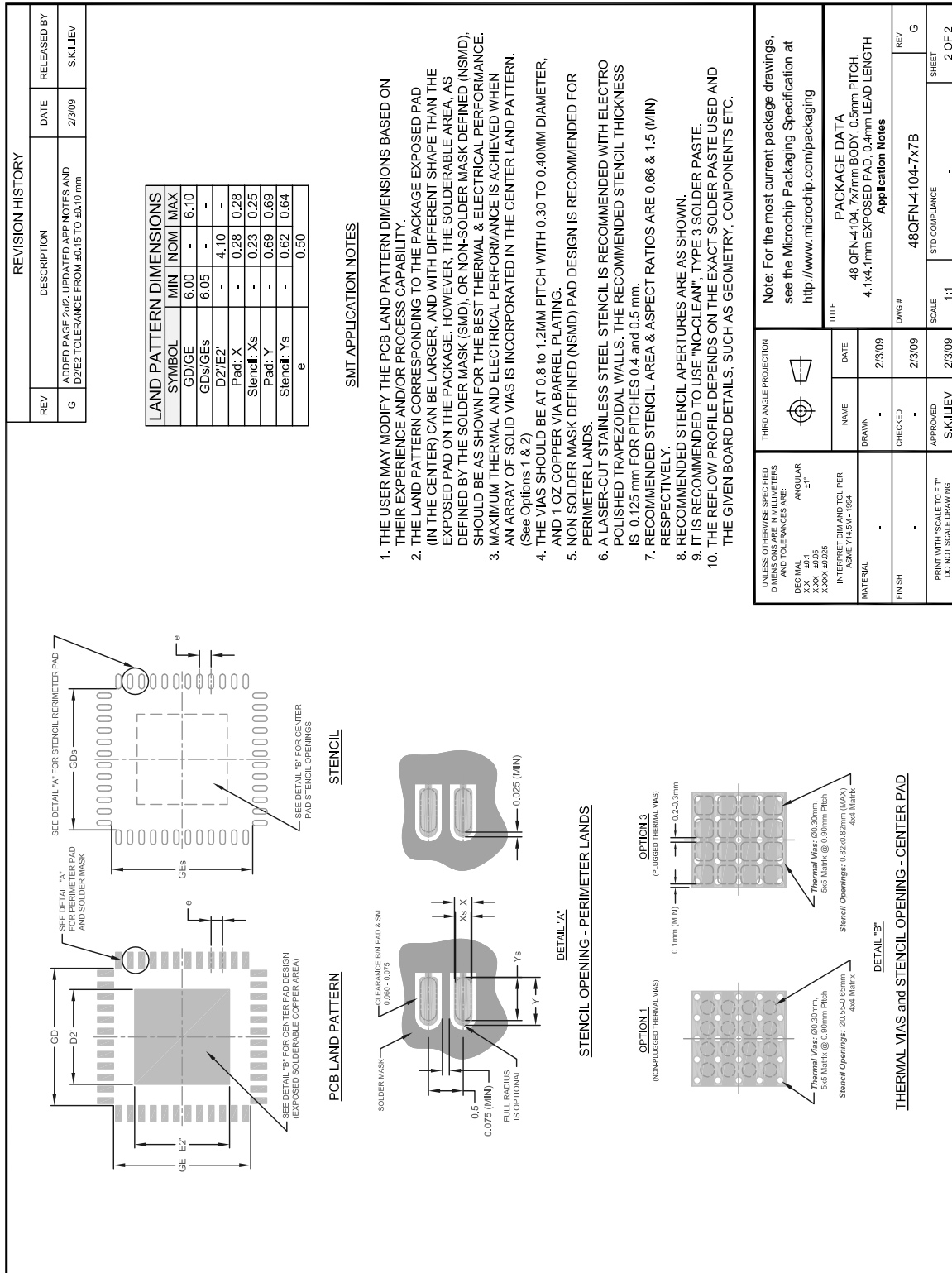


FIGURE 5-1: PACKAGE OUTLINE: 48-PIN QFN BODY 7X7 MM BODY (CONTINUED)



APPENDIX A: DATA SHEET REVISION HISTORY

TABLE A-1: REVISION HISTORY

Revision Level & Date	Section/Figure/Entry	Correction
DS00002622A (01-15-18)	Public Release, REV A replaces previous SMSC version Rev. 1.6 (02-21-11)	

THE MICROCHIP WEB SITE

Microchip provides online support via our WWW site at www.microchip.com. This web site is used as a means to make files and information easily available to customers. Accessible by using your favorite Internet browser, the web site contains the following information:

- **Product Support** – Data sheets and errata, application notes and sample programs, design resources, user's guides and hardware support documents, latest software releases and archived software
- **General Technical Support** – Frequently Asked Questions (FAQ), technical support requests, online discussion groups, Microchip consultant program member listing
- **Business of Microchip** – Product selector and ordering guides, latest Microchip press releases, listing of seminars and events, listings of Microchip sales offices, distributors and factory representatives

CUSTOMER CHANGE NOTIFICATION SERVICE

Microchip's customer notification service helps keep customers current on Microchip products. Subscribers will receive e-mail notification whenever there are changes, updates, revisions or errata related to a specified product family or development tool of interest.

To register, access the Microchip web site at www.microchip.com. Under "Support", click on "Customer Change Notification" and follow the registration instructions.

CUSTOMER SUPPORT

Users of Microchip products can receive assistance through several channels:

- Distributor or Representative
- Local Sales Office
- Field Application Engineer (FAE)
- Technical Support

Customers should contact their distributor, representative or field application engineer (FAE) for support. Local sales offices are also available to help customers. A listing of sales offices and locations is included in the back of this document.

Technical support is available through the web site at: <http://www.microchip.com/support>

PRODUCT IDENTIFICATION SYSTEM

To order or obtain information, e.g., on pricing or delivery, refer to the factory or the listed sales office.

<u>PART NO.</u> ⁽¹⁾	<u>[X]</u>	-	<u>XXX</u> ⁽²⁾	-	<u>[X]</u> ⁽³⁾
Device	Temperature Range		Package		Tape and Reel Option
Device: ECE1105 ⁽¹⁾ Temperature Range: Blank = Commercial 0°C to 70°C I = Industrial -40°C to 85°C Package: HZH = 48 pin QFN ⁽²⁾ Tape and Reel Option: Blank = Tray packaging TR = Tape and Reel ⁽³⁾	Examples: a) ECE1105-HZH = 48-pin QFN, Commercial b) ECE1105I-HZH = 48-pin QFN, Industrial Note 1: These products meet the halogen maximum concentration values per IEC61249-2-21. Note 2: All package options are RoHS compliant. For RoHS compliance and environmental information, please visit http://www.microchip.com/pagehandler/en-us/aboutus/ehs.html . Note 3: Tape and Reel identifier only appears in the catalog part number description. This identifier is used for ordering purposes and is not printed on the device package. Check with your Microchip Sales Office for package availability with the Tape and Reel option.				

Note the following details of the code protection feature on Microchip devices:

- Microchip products meet the specification contained in their particular Microchip Data Sheet.
- Microchip believes that its family of products is one of the most secure families of its kind on the market today, when used in the intended manner and under normal conditions.
- There are dishonest and possibly illegal methods used to breach the code protection feature. All of these methods, to our knowledge, require using the Microchip products in a manner outside the operating specifications contained in Microchip's Data Sheets. Most likely, the person doing so is engaged in theft of intellectual property.
- Microchip is willing to work with the customer who is concerned about the integrity of their code.
- Neither Microchip nor any other semiconductor manufacturer can guarantee the security of their code. Code protection does not mean that we are guaranteeing the product as “unbreakable.”

Code protection is constantly evolving. We at Microchip are committed to continuously improving the code protection features of our products. Attempts to break Microchip's code protection feature may be a violation of the Digital Millennium Copyright Act. If such acts allow unauthorized access to your software or other copyrighted work, you may have a right to sue for relief under that Act.

Information contained in this publication regarding device applications and the like is provided only for your convenience and may be superseded by updates. It is your responsibility to ensure that your application meets with your specifications. MICROCHIP MAKES NO REPRESENTATIONS OR WARRANTIES OF ANY KIND WHETHER EXPRESS OR IMPLIED, WRITTEN OR ORAL, STATUTORY OR OTHERWISE, RELATED TO THE INFORMATION, INCLUDING BUT NOT LIMITED TO ITS CONDITION, QUALITY, PERFORMANCE, MERCHANTABILITY OR FITNESS FOR PURPOSE. Microchip disclaims all liability arising from this information and its use. Use of Microchip devices in life support and/or safety applications is entirely at the buyer's risk, and the buyer agrees to defend, indemnify and hold harmless Microchip from any and all damages, claims, suits, or expenses resulting from such use. No licenses are conveyed, implicitly or otherwise, under any Microchip intellectual property rights unless otherwise stated.

Trademarks

The Microchip name and logo, the Microchip logo, AnyRate, AVR, AVR logo, AVR Freaks, BeaconThings, BitCloud, CryptoMemory, CryptoRF, dsPIC, FlashFlex, flexPWR, Heldo, JukeBlox, KEELoQ, KEELoQ logo, Klear, LANCheck, LINK MD, maXStylus, maXTouch, MediaLB, megaAVR, MOST, MOST logo, MPLAB, OptoLyzor, PIC, picoPower, PICSTART, PIC32 logo, Prochip Designer, QTouch, RightTouch, SAM-BA, SpyNIC, SST, SST Logo, SuperFlash, tinyAVR, UNI/O, and XMEGA are registered trademarks of Microchip Technology Incorporated in the U.S.A. and other countries.

ClockWorks, The Embedded Control Solutions Company, EtherSynch, Hyper Speed Control, HyperLight Load, IntelliMOS, mTouch, Precision Edge, and Quiet-Wire are registered trademarks of Microchip Technology Incorporated in the U.S.A.

Adjacent Key Suppression, AKS, Analog-for-the-Digital Age, Any Capacitor, AnyIn, AnyOut, BodyCom, chipKIT, chipKIT logo, CodeGuard, CryptoAuthentication, CryptoCompanion, CryptoController, dsPICDEM, dsPICDEM.net, Dynamic Average Matching, DAM, ECAN, EtherGREEN, In-Circuit Serial Programming, ICSP, Inter-Chip Connectivity, JitterBlocker, KlearNet, KlearNet logo, Mindi, MiWi, motorBench, MPASM, MPF, MPLAB Certified logo, MPLIB, MPLINK, MultiTRAK, NetDetach, Omniscient Code Generation, PICDEM, PICDEM.net, PICkit, PICtail, PureSilicon, QMatrix, RightTouch logo, REAL ICE, Ripple Blocker, SAM-ICE, Serial Quad I/O, SMART-I.S., SQI, SuperSwitcher, SuperSwitcher II, Total Endurance, TSHARC, USBCheck, VariSense, ViewSpan, WiperLock, Wireless DNA, and ZENA are trademarks of Microchip Technology Incorporated in the U.S.A. and other countries.

SQTP is a service mark of Microchip Technology Incorporated in the U.S.A.

Silicon Storage Technology is a registered trademark of Microchip Technology Inc. in other countries.

GestIC is a registered trademark of Microchip Technology Germany II GmbH & Co. KG, a subsidiary of Microchip Technology Inc., in other countries.

All other trademarks mentioned herein are property of their respective companies.

© 2008-2018, Microchip Technology Incorporated, All Rights Reserved.

ISBN: 9781522425656

QUALITY MANAGEMENT SYSTEM
CERTIFIED BY DNV
== ISO/TS 16949 ==

Microchip received ISO/TS-16949:2009 certification for its worldwide headquarters, design and wafer fabrication facilities in Chandler and Tempe, Arizona; Gresham, Oregon and design centers in California and India. The Company's quality system processes and procedures are for its PIC® MCUs and dsPIC® DSCs, KEELoQ® code hopping devices, Serial EEPROMs, microperipherals, nonvolatile memory and analog products. In addition, Microchip's quality system for the design and manufacture of development systems is ISO 9001:2000 certified.



Worldwide Sales and Service

AMERICAS

Corporate Office
2355 West Chandler Blvd.
Chandler, AZ 85224-6199
Tel: 480-792-7200
Fax: 480-792-7277
Technical Support:
<http://www.microchip.com/support>
Web Address:
www.microchip.com

Atlanta
Duluth, GA
Tel: 678-957-9614
Fax: 678-957-1455

Austin, TX
Tel: 512-257-3370

Boston
Westborough, MA
Tel: 774-760-0087
Fax: 774-760-0088

Chicago
Itasca, IL
Tel: 630-285-0071
Fax: 630-285-0075

Dallas
Addison, TX
Tel: 972-818-7423
Fax: 972-818-2924

Detroit
Novi, MI
Tel: 248-848-4000

Houston, TX
Tel: 281-894-5983

Indianapolis
Noblesville, IN
Tel: 317-773-8323
Fax: 317-773-5453
Tel: 317-536-2380

Los Angeles
Mission Viejo, CA
Tel: 949-462-9523
Fax: 949-462-9608
Tel: 951-273-7800

Raleigh, NC
Tel: 919-844-7510

New York, NY
Tel: 631-435-6000

San Jose, CA
Tel: 408-735-9110
Tel: 408-436-4270

Canada - Toronto
Tel: 905-695-1980
Fax: 905-695-2078

ASIA/PACIFIC

Australia - Sydney
Tel: 61-2-9868-6733

China - Beijing
Tel: 86-10-8569-7000

China - Chengdu
Tel: 86-28-8665-5511

China - Chongqing
Tel: 86-23-8980-9588

China - Dongguan
Tel: 86-769-8702-9880

China - Guangzhou
Tel: 86-20-8755-8029

China - Hangzhou
Tel: 86-571-8792-8115

China - Hong Kong SAR
Tel: 852-2943-5100

China - Nanjing
Tel: 86-25-8473-2460

China - Qingdao
Tel: 86-532-8502-7355

China - Shanghai
Tel: 86-21-3326-8000

China - Shenyang
Tel: 86-24-2334-2829

China - Shenzhen
Tel: 86-755-8864-2200

China - Suzhou
Tel: 86-186-6233-1526

China - Wuhan
Tel: 86-27-5980-5300

China - Xian
Tel: 86-29-8833-7252

China - Xiamen
Tel: 86-592-2388138

China - Zhuhai
Tel: 86-756-3210040

ASIA/PACIFIC

India - Bangalore
Tel: 91-80-3090-4444

India - New Delhi
Tel: 91-11-4160-8631

India - Pune
Tel: 91-20-4121-0141

Japan - Osaka
Tel: 81-6-6152-7160

Japan - Tokyo
Tel: 81-3-6880-3770

Korea - Daegu
Tel: 82-53-744-4301

Korea - Seoul
Tel: 82-2-554-7200

Malaysia - Kuala Lumpur
Tel: 60-3-7651-7906

Malaysia - Penang
Tel: 60-4-227-8870

Philippines - Manila
Tel: 63-2-634-9065

Singapore
Tel: 65-6334-8870

Taiwan - Hsin Chu
Tel: 886-3-577-8366

Taiwan - Kaohsiung
Tel: 886-7-213-7830

Taiwan - Taipei
Tel: 886-2-2508-8600

Thailand - Bangkok
Tel: 66-2-694-1351

Vietnam - Ho Chi Minh
Tel: 84-28-5448-2100

EUROPE

Austria - Wels
Tel: 43-7242-2244-39
Fax: 43-7242-2244-393

Denmark - Copenhagen
Tel: 45-4450-2828
Fax: 45-4485-2829

Finland - Espoo
Tel: 358-9-4520-820

France - Paris
Tel: 33-1-69-53-63-20
Fax: 33-1-69-30-90-79

Germany - Garching
Tel: 49-8931-9700

Germany - Haan
Tel: 49-2129-3766400

Germany - Heilbronn
Tel: 49-7131-67-3636

Germany - Karlsruhe
Tel: 49-721-625370

Germany - Munich
Tel: 49-89-627-144-0
Fax: 49-89-627-144-44

Germany - Rosenheim
Tel: 49-8031-354-560

Israel - Ra'anana
Tel: 972-9-744-7705

Italy - Milan
Tel: 39-0331-742611
Fax: 39-0331-466781

Italy - Padova
Tel: 39-049-7625286

Netherlands - Drunen
Tel: 31-416-690399
Fax: 31-416-690340

Norway - Trondheim
Tel: 47-7289-7561

Poland - Warsaw
Tel: 48-22-3325737

Romania - Bucharest
Tel: 40-21-407-87-50

Spain - Madrid
Tel: 34-91-708-08-90
Fax: 34-91-708-08-91

Sweden - Gothenberg
Tel: 46-31-704-60-40

Sweden - Stockholm
Tel: 46-8-5090-4654

UK - Wokingham
Tel: 44-118-921-5800
Fax: 44-118-921-5820

X-ON Electronics

Largest Supplier of Electrical and Electronic Components

Click to view similar products for [Interface - I/O Expanders](#) category:

Click to view products by [Microchip](#) manufacturer:

Other Similar products are found below :

[PCA9654EDR2G](#) [LC709006V-E](#) [LC709006V-TLM-E](#) [PM8004C-F3EI](#) [PM8005C-F3EI](#) [PI4IOE5V9554LEX](#) [PI4IOE5V9555LEX](#)
[PI4IOE5V6534Q2ZLWEX](#) [PI4IOE5V6416Q2LEX](#) [41700-100](#) [MCP25050-E/P](#) [PCA9554PW.112](#) [PCF8575TS/1.112](#) [PCA9555PW.112](#)
[MIC74YQS](#) [ADP5585ACBZ-00-R7](#) [ADP5585ACBZ-04-R7](#) [EM4095HMSSO16A](#) [HTRC11001T/02EE](#) [ADP5587ACPZ-1-R7](#)
[ADP5587ACPZ-R7](#) [ADP5585ACPZ-01-R7](#) [ADP5586ACBZ-00-R7](#) [PCF8574P](#) [XD8574AP](#) [XD8574P](#) [XD8255-2](#) [XD82C55-5](#)
[EM4095HMSSO16B](#) [KTS1620EWA-TR](#) [MAX7311AWG+](#) [MCP25025-ISL](#) [MCP25020-I/SL](#) [MAX7300ATL+](#) [MAX7301ATL+T](#)
[MCP23009T-E/SS](#) [MCP23008-E/SS](#) [MCP23009-E/SS](#) [MAX7325ATG+T](#) [MCP23016-I/SO](#) [MCP23S17-E/SO](#) [MAX7300AAI+](#)
[MAX7301AAI+](#) [MAX7312AUG+](#) [MAX7315AEE+](#) [MAX7317AEE+](#) [MAX7321AEE+](#) [MCP25020-I/P](#) [PCA9554APW,118](#)
[MAX7310AUE+](#)