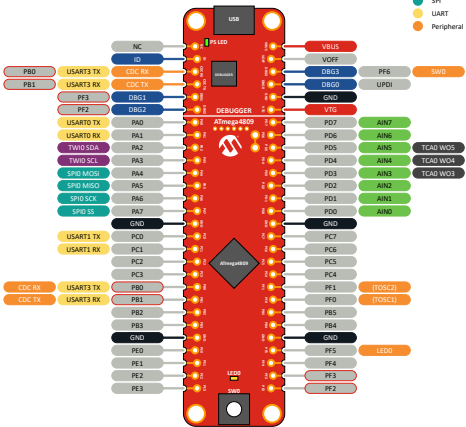


ATmega4809

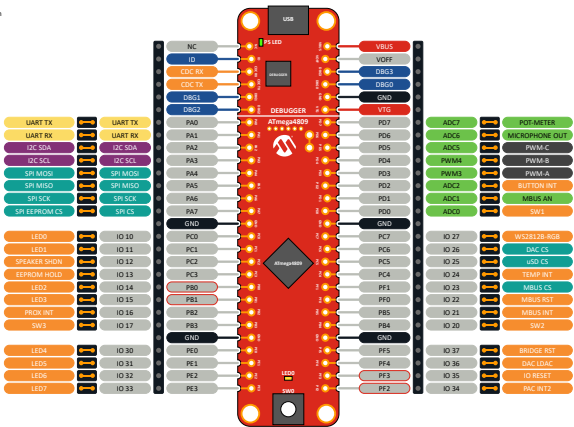
Curiosity Nano

- Analog
- Debug
- I2C
- SPI
- UART
- Port
- PWM
- I2C
- Ground
- Shared pin



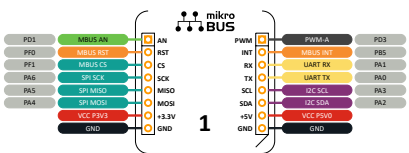
Curiosity Nano Explorer

Mapping



mikroBUS™

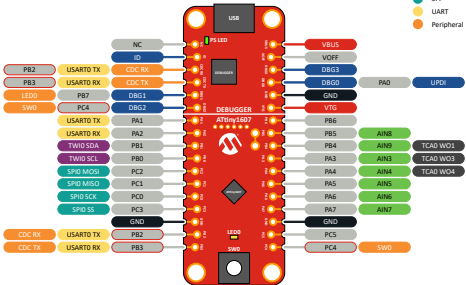
Socket



ATtiny1607

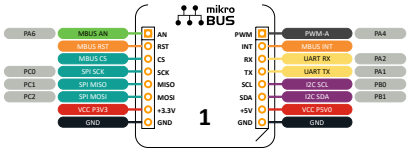
Curiosity Nano

- Analog
- Port
- Debug
- I2C
- SPI
- UART
- Peripheral
- PWM
- Power
- Ground
- Shared pin



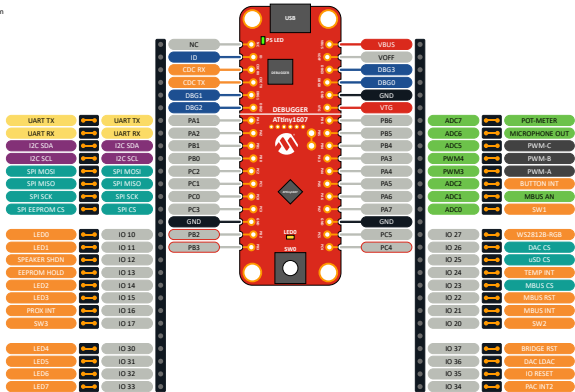
mikroBUS™

Socket



Curiosity Nano Explorer

Mapping



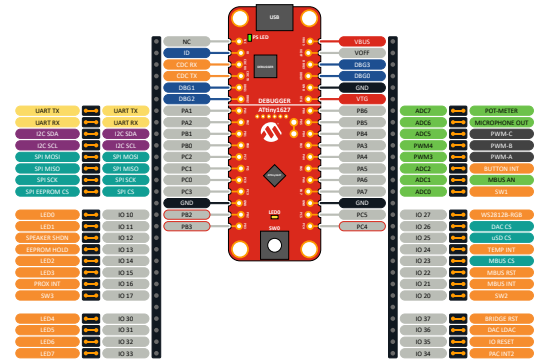
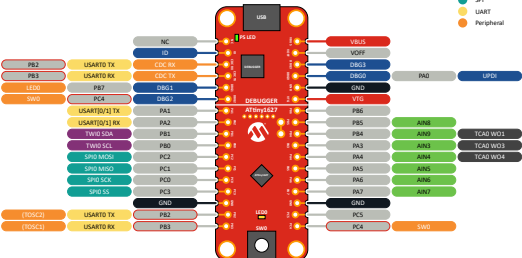
ATtiny1627

Curiosity Nano

- Analog
- Debug
- I2C
- SPI
- UART
- Peripheral
- Port
- PWM
- Power
- Ground
- Shared pin

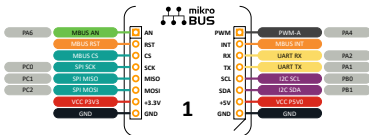
Curiosity Nano Explorer

Mapping



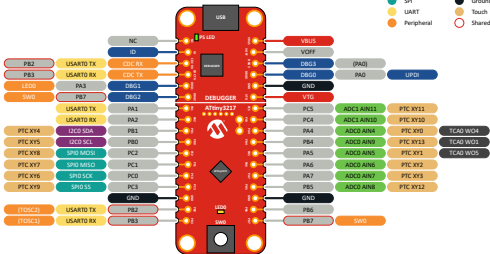
mikroBUS™

Socket



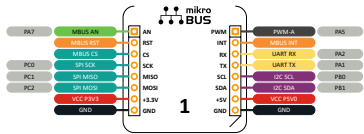
ATtiny3217

Curiosity Nano



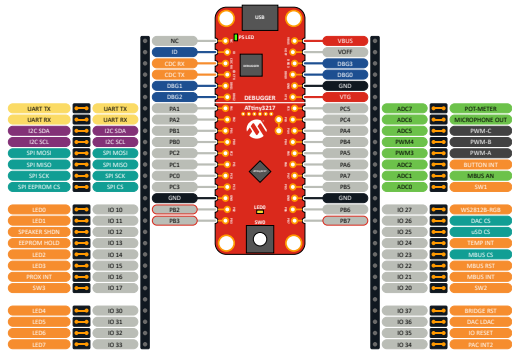
mikroBUS™

Socket



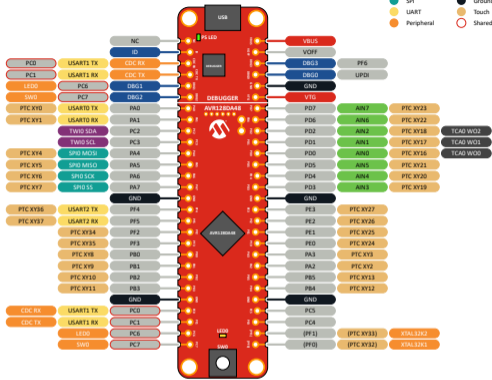
Curiosity Nano Explorer

Mapping



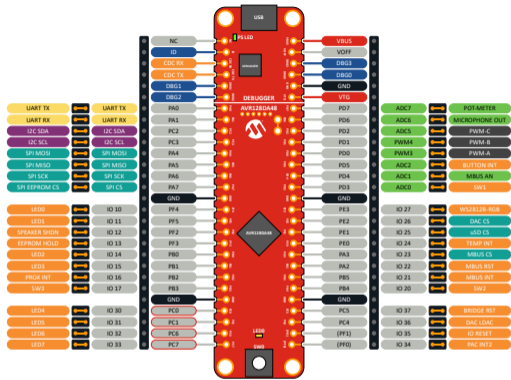
AVR128DA48

Curiosity Nano



Curiosity Nano Explorer

Mapping



mikroBUS™

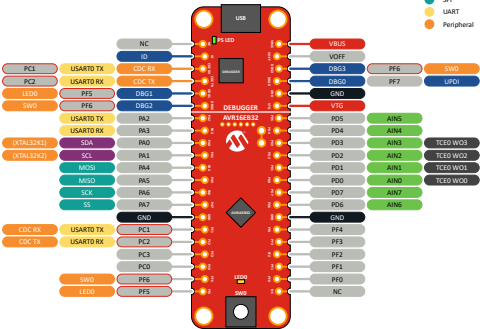
Socket



AVR16EB32

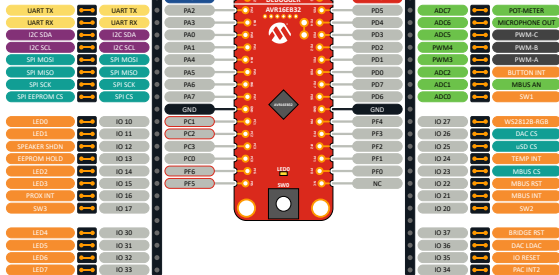
Curiosity Nano

- Analog
- Debug
- I2C
- SPI
- UART
- Peripheral
- Port
- PWM
- Power
- Ground
- Shared pin



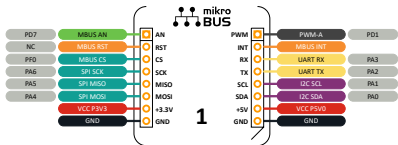
Curiosity Nano Explorer

Mapping



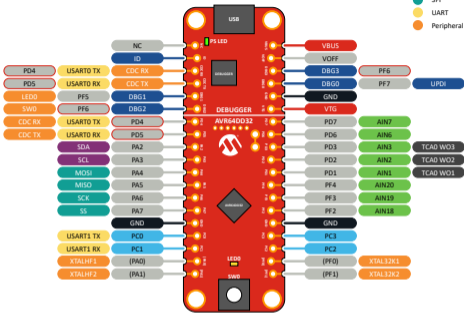
mikroBUS™

Socket



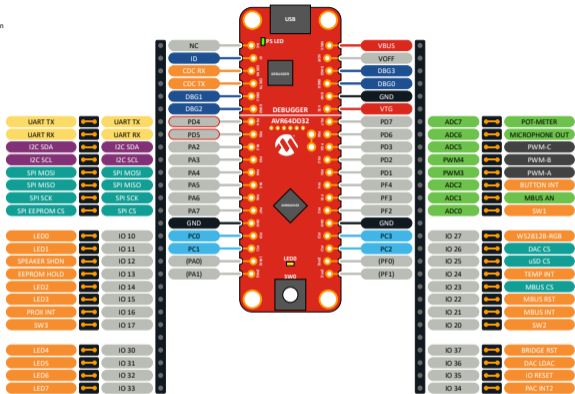
AVR64DD32

Curiosity Nano



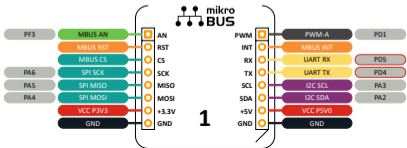
Curiosity Nano Explorer

Mapping



mikroBUS™

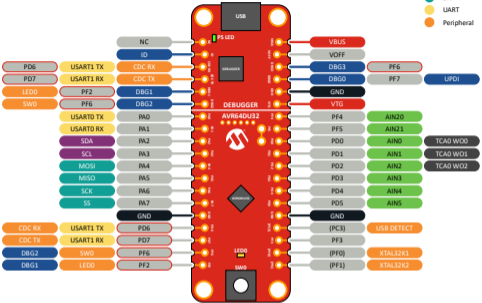
Socket



AVR64DU32

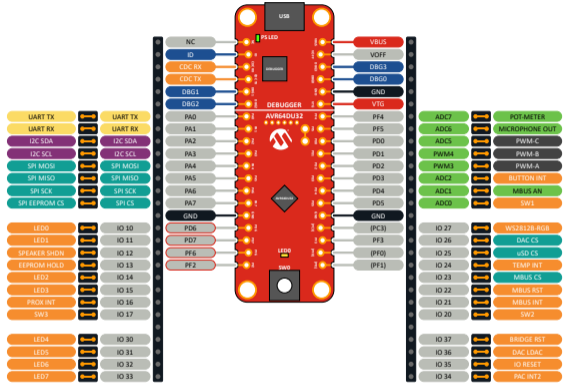
Curiosity Nano

- Analog
 - Debug
 - I2C
 - SPI
 - UART
 - Peripheral
- Port
 - PWM
 - Power
 - Ground
 - Shared pin

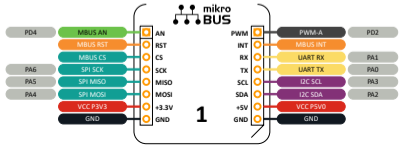


Curiosity Nano Explorer

Mapping

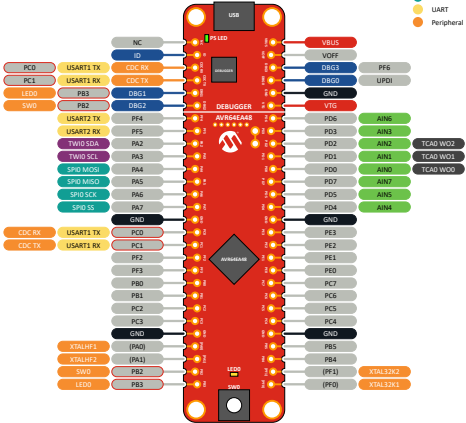


mikroBUS™ Socket

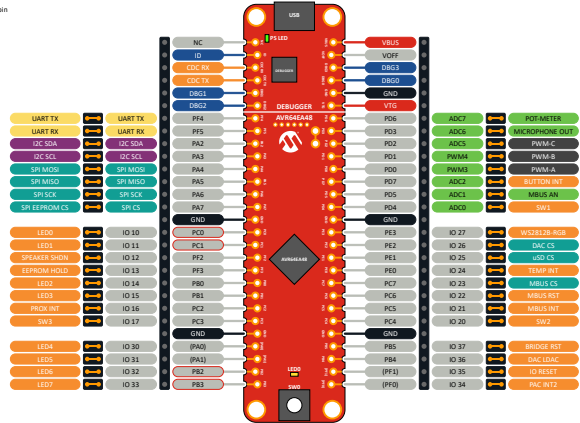


AVR64EA48 Curiosity Nano

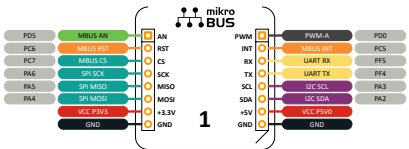
- Analog
- Debug
- I2C
- SPI
- UART
- Port
- PWM
- I2C
- Ground
- Shared pin



Curiosity Nano Explorer Mapping



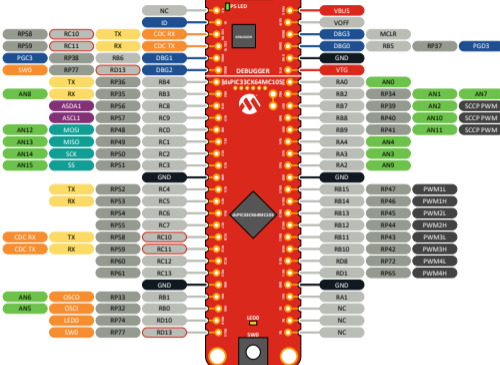
mikroBUS™ Socket



dsPIC33CK64MC105

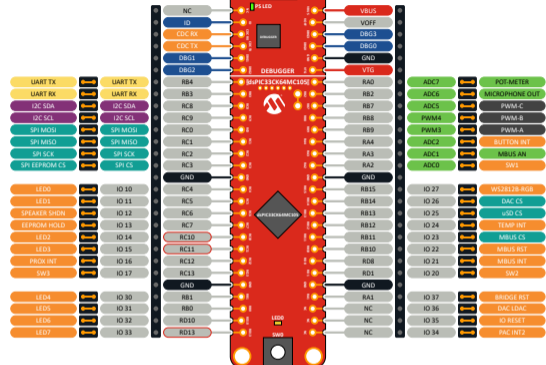
Curiosity Nano

- Analog
- Debug
- I2C
- SPI
- UART
- Peripheral
- Port
- PWM
- Power
- Ground
- PPS
- Shared pin



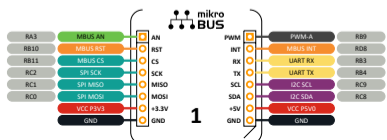
Curiosity Nano Explorer

Mapping



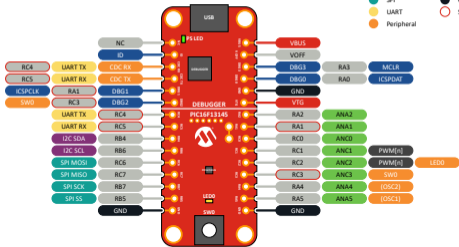
mikroBUS™

Socket



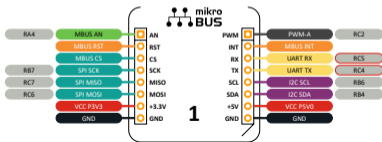
PIC16F13145

Curiosity Nano



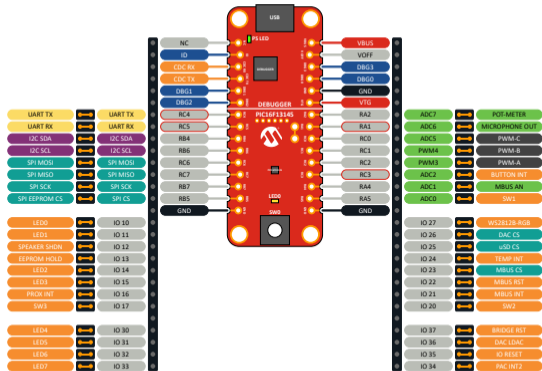
mikroBUS™

Socket



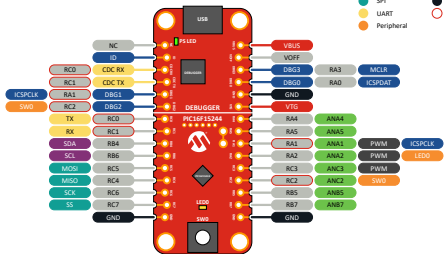
Curiosity Nano Explorer

Mapping



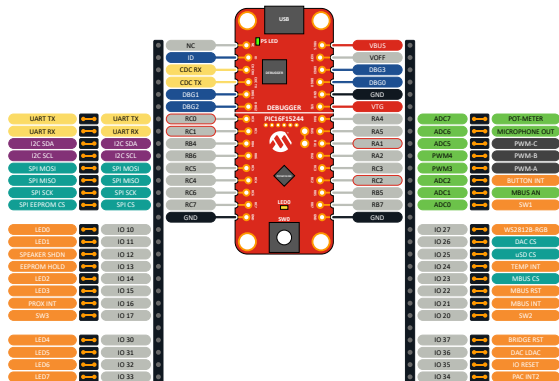
PIC16F15244

Curiosity Nano



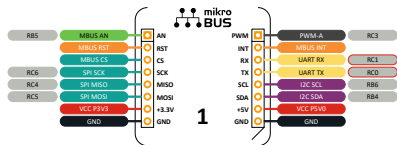
Curiosity Nano Explorer

Mapping



mikroBUS™

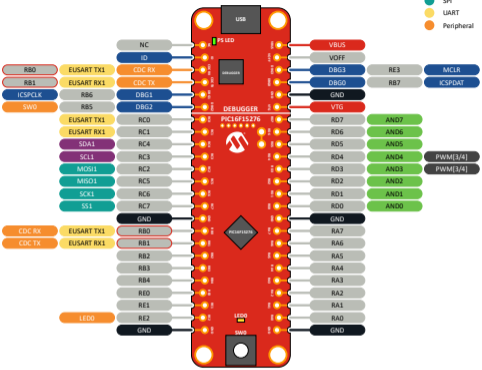
Socket



PIC16F15276

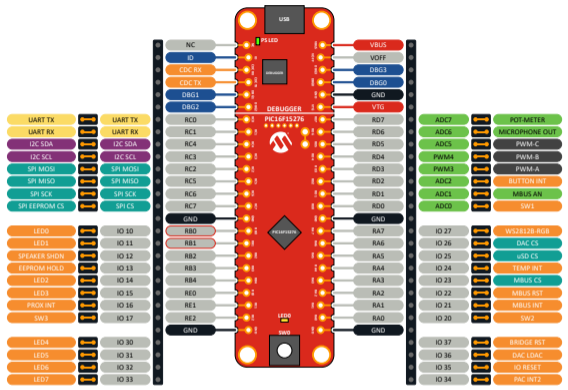
Curiosity Nano

- Analog
- Debug
- I2C
- SPI
- UART
- Peripheral
- Port
- PWM
- Power
- Ground
- Shared pin



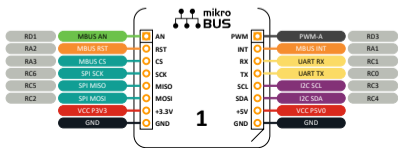
Curiosity Nano Explorer Mapping

Mapping



mikroBUS™

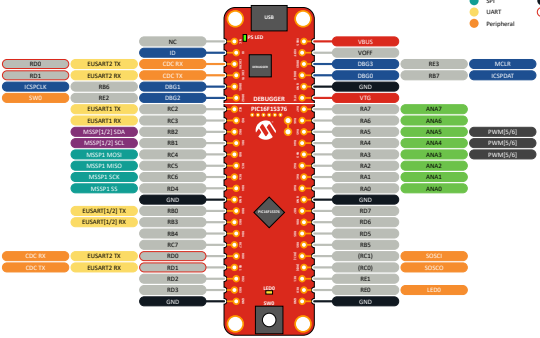
Socket



PIC16F15376

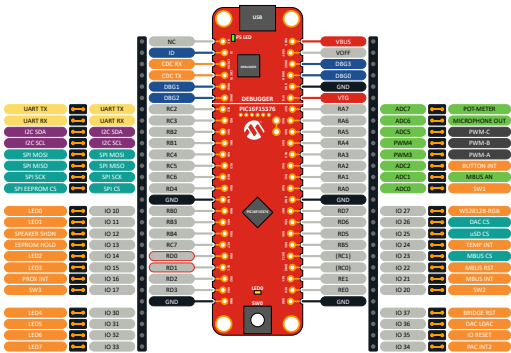
Curiosity Nano

- Analog
- Debug
- I2C
- SPI
- UART
- Peripheral
- Port
- PWM
- Power
- Ground
- Shared pin



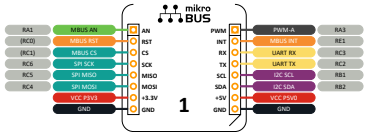
Curiosity Nano Explorer Mapping

Mapping



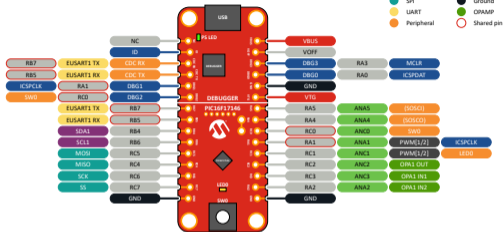
mikroBUS™

Socket



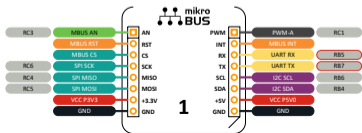
PIC16F17146

Curiosity Nano



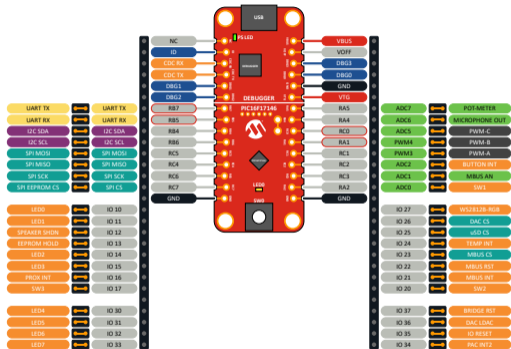
mikroBUS™

Socket



Curiosity Nano Explorer

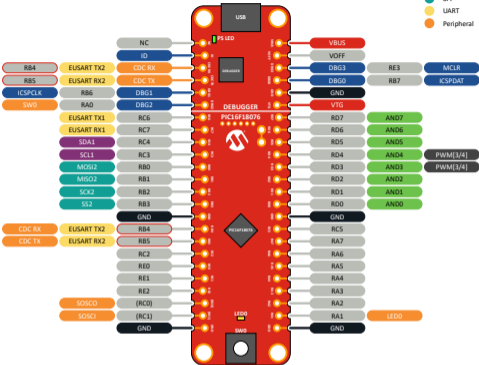
Mapping



PIC16F18076

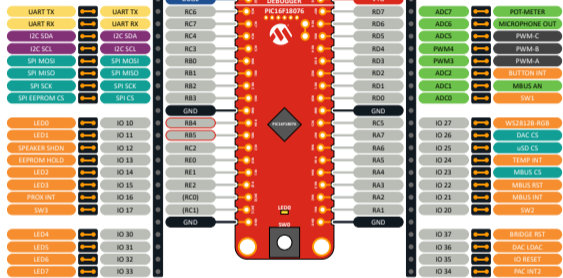
Curiosity Nano

- Analog
- Debug
- I2C
- SPI
- UART
- Peripheral
- Port
- PWM
- Power
- Ground
- Shared pin



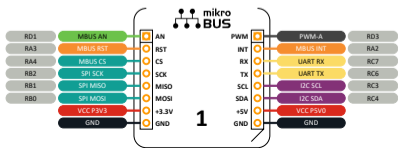
Curiosity Nano Explorer

Mapping



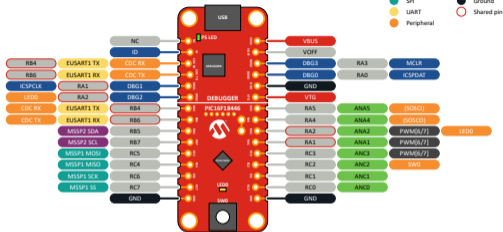
mikroBUS™

Socket



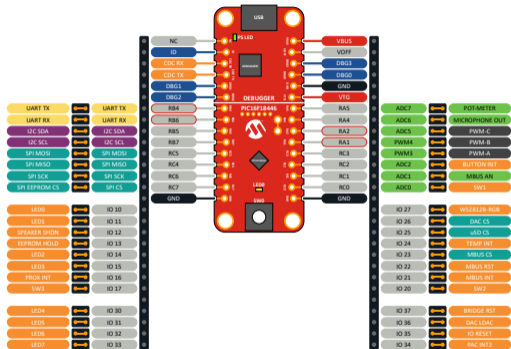
PIC16F18446

Curiosity Nano



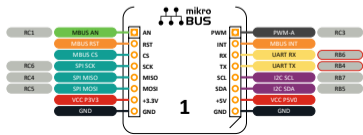
Curiosity Nano Explorer

Mapping



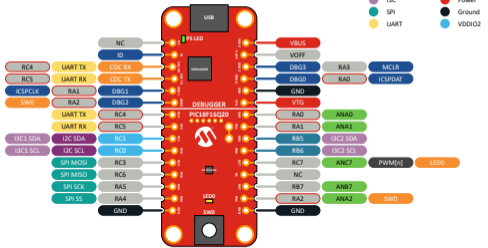
mikroBUS™

Socket



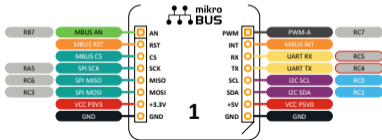
PIC18F16Q20

Curiosity Nano



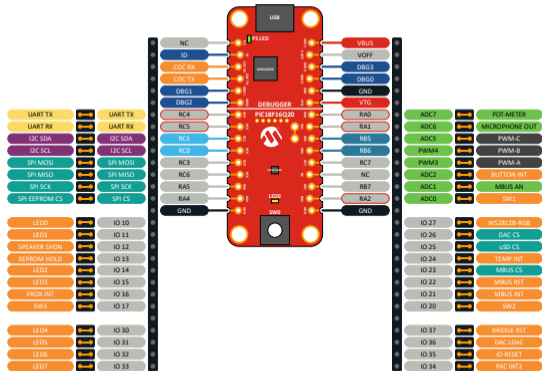
mikroBUS™

Socket



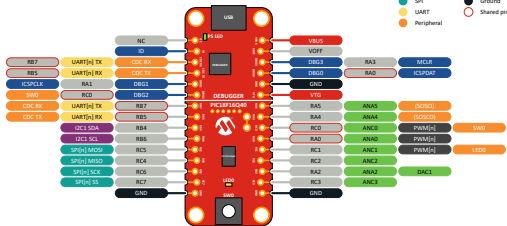
Curiosity Nano Explorer

Mapping



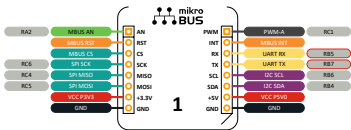
PIC18F16Q40

Curiosity Nano



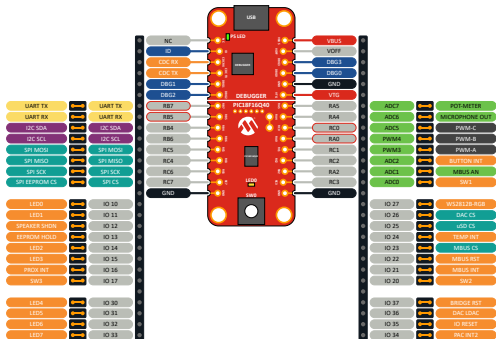
mikroBUS™

Socket



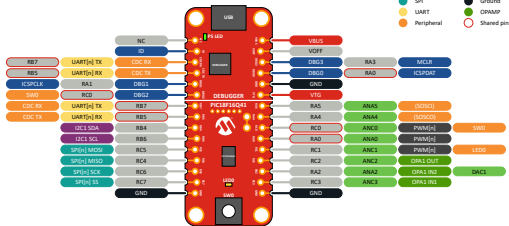
Curiosity Nano Explorer

Mapping



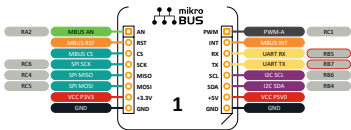
PIC18F16Q41

Curiosity Nano



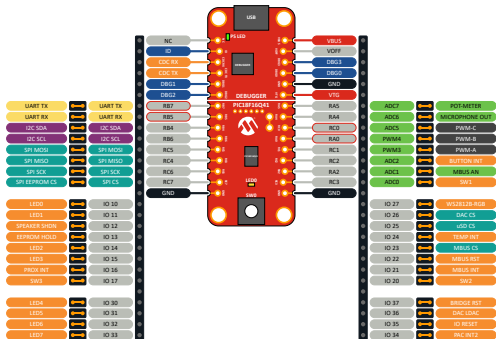
mikroBUS™

Socket



Curiosity Nano Explorer

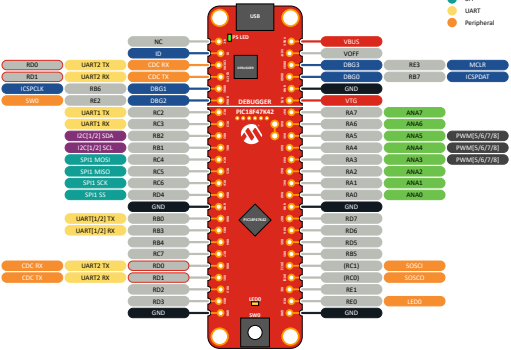
Mapping



PIC18F47K42

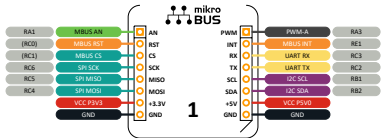
Curiosity Nano

- Analog
- Debug
- I2C
- SPI
- UART
- Peripheral
- Port
- PWM
- Power
- Ground
- Shared pin



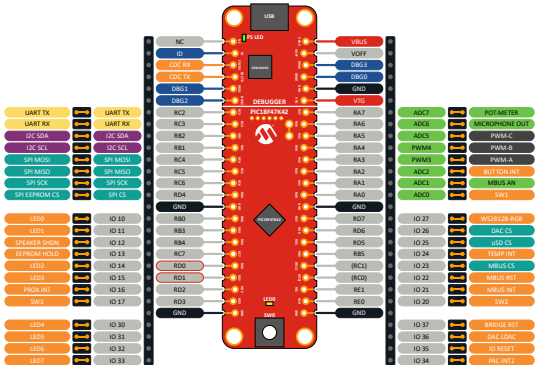
mikroBUS™

Socket



Curiosity Nano Explorer

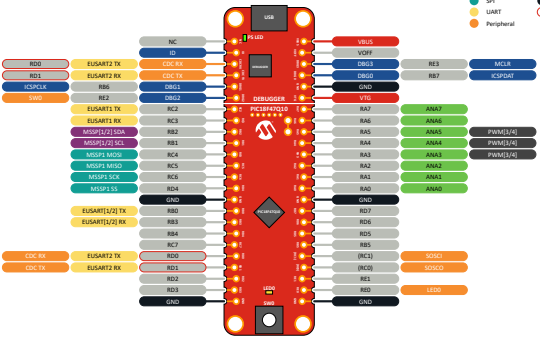
Mapping



PIC18F47Q10

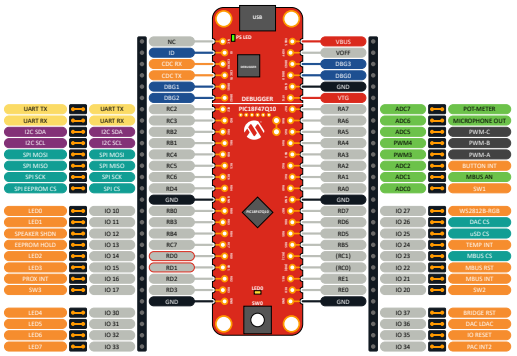
Curiosity Nano

- Analog
- Debug
- I2C
- SPI
- UART
- Peripheral
- Port
- PWM
- Power
- Ground
- Shared pin



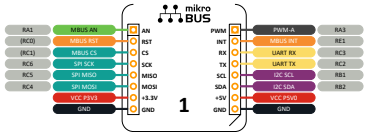
Curiosity Nano Explorer Mapping

Mapping



mikroBUS™

Socket

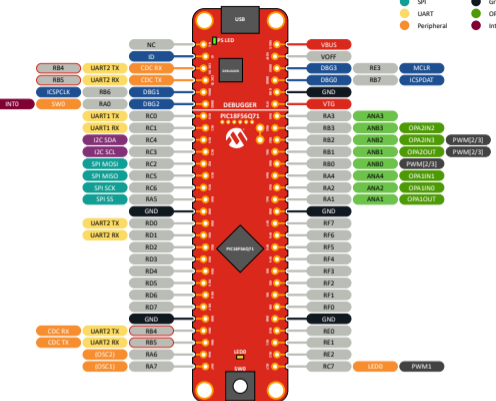


PIC18F56Q71

Curiosity Nano

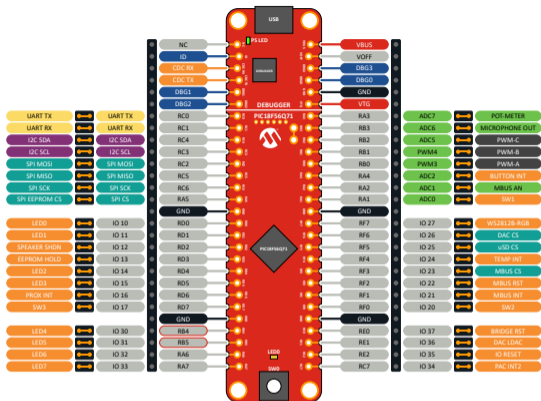
- Analog
- Debug
- I2C
- SPI
- UART
- Peripheral
- Port
- PWM
- Power
- Ground
- OPAMP
- Interrupt

○ Shared pin



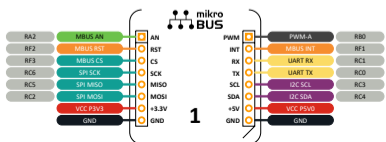
Curiosity Nano Explorer

Mapping



mikroBUS™

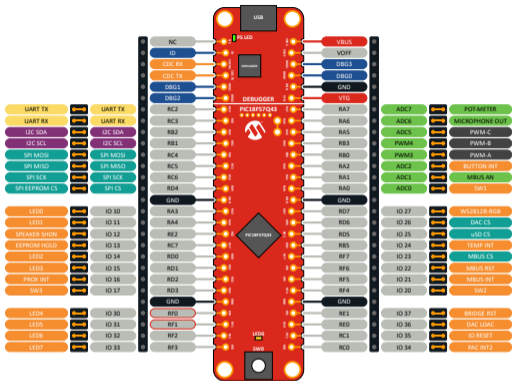
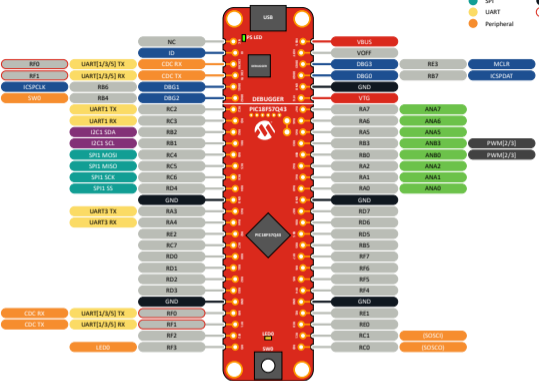
Socket



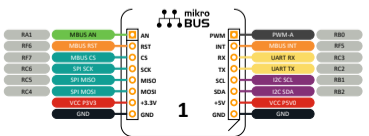
PIC18F57Q43 Curiosity Nano

- Analog
- Debug
- I2C
- SPI
- UART
- Port
- PWM
- Power
- Ground
- Shared pin

Curiosity Nano Explorer Mapping



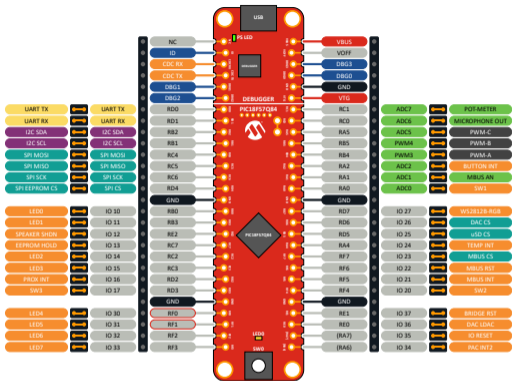
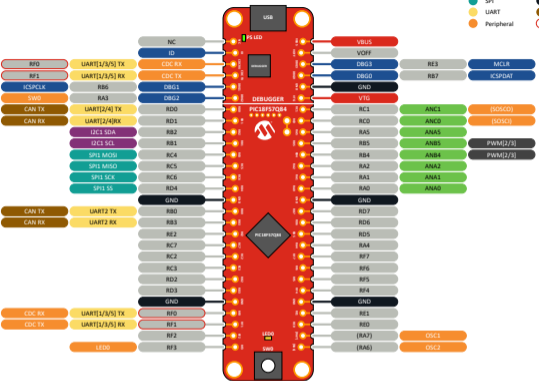
mikroBUS™ Socket



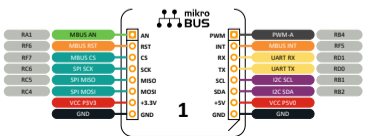
PIC18F57Q84 Curiosity Nano

- Analog
- Debug
- I2C
- SPI
- UART
- Peripheral
- Port
- PWM
- Power
- Ground
- CAN
- Shared pin

Curiosity Nano Explorer Mapping



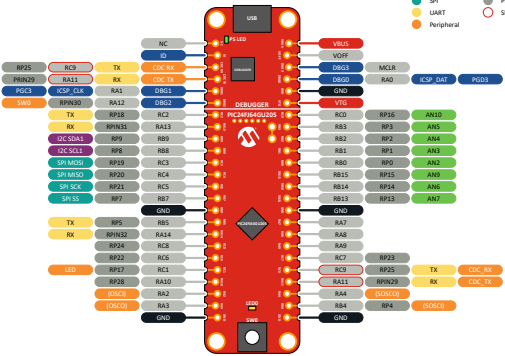
mikroBUS™ Socket



PIC24FJ64GU205

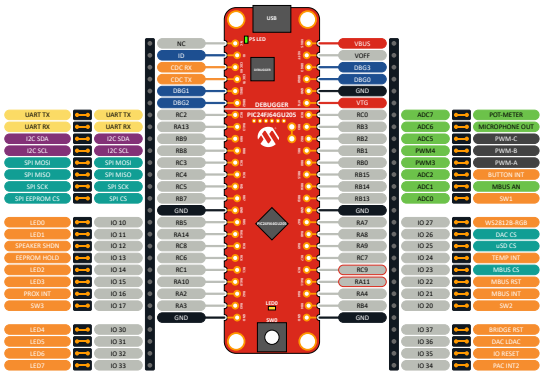
Curiosity Nano

- Analog
- Debug
- I2C
- SPI
- UART
- Peripheral
- Port
- Power
- Ground
- PPS
- Shared pin



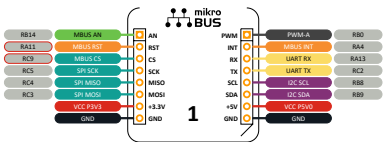
Curiosity Nano Explorer

Mapping



mikroBUS™

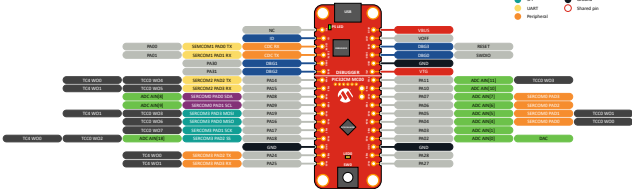
Socket



PIC32CM MC00

Curiosity Nano

- Analog
- Debug
- I2C
- SPI
- UART
- Peripheral
- Port
- PWM
- Power
- Ground
- Shared pin



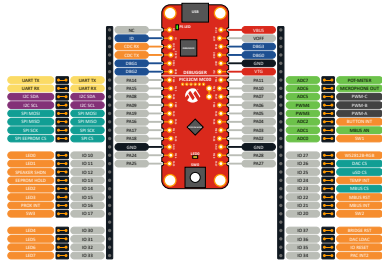
mikroBUS™

Socket



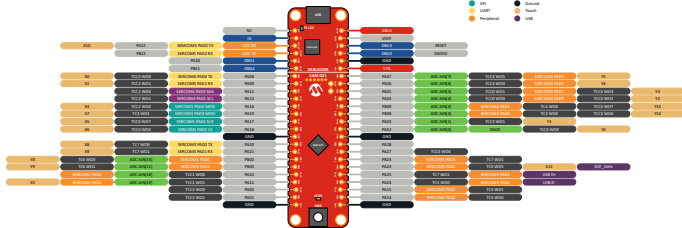
Curiosity Nano Explorer

Mapping



SAM D21 Curiosity Nano

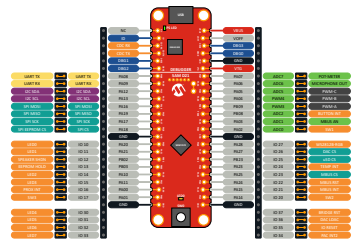
- Analog
- Debug
- I2C
- SPI
- UART
- Peripheral
- Port
- Power
- Ground
- Touch
- USB
- Shared pin



mikroBUS™ Socket



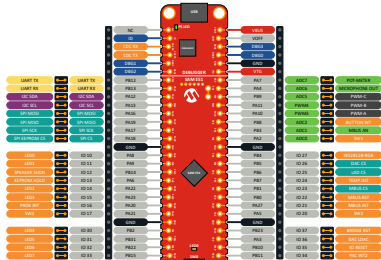
Curiosity Nano Explorer Mapping



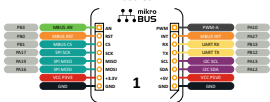
SAM E51 Curiosity Nano



Curiosity Nano Explorer Mapping



mikroBUS™ Socket



X-ON Electronics

Largest Supplier of Electrical and Electronic Components

Click to view similar products for [Development Boards & Kits - Other Processors](#) category:

Click to view products by [Microchip](#) manufacturer:

Other Similar products are found below :

[KIT_AURIX_TC233LP_TRB](#) [STM8S/32-D/RAIS](#) [QB-R5F110PJ-TB](#) [ST7MDT1-EMU2](#) [KITA2GTC3975VTRBSTOBO1](#)
[RTK5572TKCS00000BE](#) [ST623X-KIT/220](#) [STEVAL-ISV014V1](#) [KIT_XC836_EK_V1](#) [XIAO STARTER KIT](#) [SIBRAIN FOR](#)
[AVR128DA64](#) [CLICKER 4 FOR TMPM3H](#) [ACRYLIC CASE FOR XIAO EXPANSION BOARD](#) [RSSDEMO50F-AA-13# DEMO KIT](#) [VS](#)
[1000 DEMO BOARD](#) [SIBRAIN FOR AVR64DA64](#) [XIAO RP2040](#) [GSM CLICK](#) [CODEGRIP ADAPT V6](#) [DUAL SMART USB CHARGER](#)
[WIZFI360-EVB-PICO](#) [EDGE CONTROL ENCLOSURE KIT](#) [DK-SOC-10AS066S-E](#) [902-0183-000](#) [Y-ASK-RL78F13-V2](#) [Y-ASK-](#)
[RL78F14-V2](#) [Y-ASK-RL78F15-V2](#) [KITA2GTC3895VTRBTOBO1](#) [KITA2GTC3995VTRBTOBO1](#) [CONNECTEVE](#) [R0K521380S000BE](#)
[R0K578L1CD000BR](#) [LV-24-33 V6 44-PIN TQFP MCU CARD EMPTY](#) [LV-24-33 V6 64-PIN TQFP MCU CARD EMPTY](#) [LV-24-33 V6 80-](#)
[PIN TQFP 1 MCU CARD EMPTY](#) [32X32 RGB LED MATRIX PANEL - 6MM PITCH](#) [READY FOR XMEGA CASING \(WHITE\)](#) [RELAY4](#)
[BOARD](#) [ETHERNET CONNECTOR](#) [RFID CARD 125KHZ - TAG](#) [RFM12B-DEMO](#) [MAROON](#) [MAX232](#) [MAX3232 BOARD](#) [THREE-](#)
[AXIS ACCELEROMETER BOARD](#) [TINKERKIT HALL SENSOR](#) [TOUCHPANEL CONTROLLER](#) [MIKROBOARD FOR AVR WITH](#)
[ATMEGA128](#) [MIKROBUS CAPE](#) [MIKROETH 100 BOARD](#)