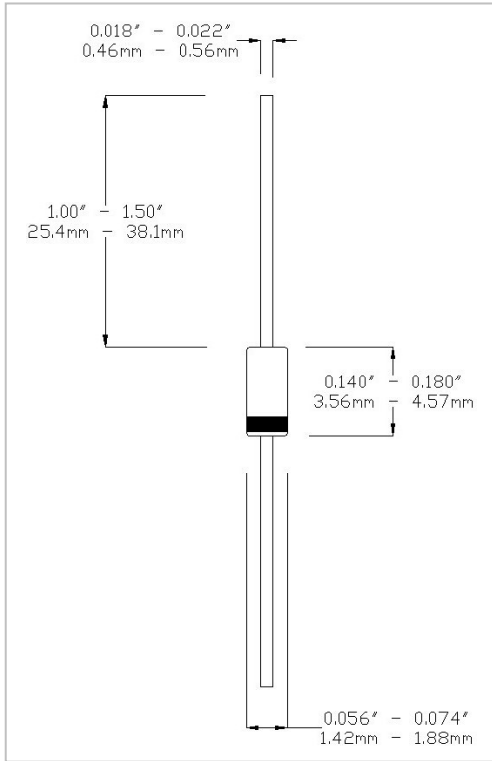


# 1N649-1

## FEATURES

- 1N649-1 AVAILABLE IN JAN, JANTX, AND JANTXV PER MIL-PRF-19500/240
- SILICON RECTIFIER
- METALLURGICALLY BONDED
- HERMETICALLY SEALED
- DOUBLE PLUG CONSTRUCTION



## MAXIMUM RATINGS AT 25 °C

|                              |                                |
|------------------------------|--------------------------------|
| Operating Temperature:       | -65°C to +175°C                |
| Storage Temperature:         | -65°C to +175°C                |
| Surge Current A, sine 8.3mS: | 5.0A                           |
| Total Power Dissipation:     | 500mW                          |
| Operating Current:           | 400mA, T <sub>A</sub> = +25°C  |
| Operating Current:           | 150mA, T <sub>A</sub> = +150°C |
| Derating Factor:             | 2mA/°C above +25°C             |
| Derating Factor:             | 6mA/°C above +150°C            |
| D.C. Reverse Voltage (VRWM): | 600V                           |

## DC ELECTRICAL CHARACTERISTICS

| Ambient (°C) | V <sub>F</sub>    |       |       | I <sub>R</sub> |                       |        |        |
|--------------|-------------------|-------|-------|----------------|-----------------------|--------|--------|
|              | I <sub>F</sub> mA | Min V | Max V | Ambient (°C)   | V <sub>R</sub> V (dc) | Min μA | Max μA |
| 25           | 400               | 0.80  | 1.00  | 25             | 600                   | -      | 0.050  |
| 150          | 400               | 0.70  | 0.95  | 25             | 720(ac)               | -      | 50     |
| -55          | 400               | -     | 1.20  | 150            | 600                   | -      | 25     |

## DESIGN DATA

**Case:** Hermetically sealed glass package per MIL-PRF-19500/240 DO-35 outline

**Lead Material:** Copper clad steel

**Lead Finish:** Tin/Lead

**Thermal Resistance (R<sub>θJL</sub>):** 250°C/W maximum at L=.375"

**Thermal Impedance (Z<sub>θJX</sub>):** 35°C/W maximum

**Marking:** Blue body coat, Black digits.

**Polarity:** Cathode end is banded.

## AC ELECTRICAL CHARACTERISTICS AT 25°C

|                                   | Symbol | Min | Max |
|-----------------------------------|--------|-----|-----|
| Capacitance @ V <sub>R</sub> = 4V | pF     | -   | 20  |



WWW.MICROSEMI.COM

IRELAND - GORT ROAD, ENNIS, CO. CLARE

PHONE: +353 65 6840044

TOLL FREE: +186 62 702434

FAX: +353 65 6822298

U.S.A. DOMESTIC SALES CONTACT

PHONE: (617) 926 0404

TOLL FREE: 1 800 666 2999

## X-ON Electronics

Largest Supplier of Electrical and Electronic Components

*Click to view similar products for [Rectifiers](#) category:*

*Click to view products by [Microchip](#) manufacturer:*

Other Similar products are found below :

[70HFR40](#) [RL252-TP](#) [150KR30A](#) [1N5397](#) [NTE5841](#) [NTE6038](#) [SCF5000](#) [1N4002G](#) [1N4005-TR](#) [JANS1N6640US](#) [481235F](#)  
[RRE02VS6SGTR](#) [067907F](#) [MS306](#) [70HF40](#) [T85HFL60S02](#) [US2JFL-TP](#) [A1N5404G-G](#) [ACGRA4007-HF](#) [ACGRB207-HF](#)  
[CLH03\(TE16L,Q\)](#) [ACGRC307-HF](#) [ACEFC304-HF](#) [NTE6356](#) [NTE6359](#) [NTE6002](#) [NTE6023](#) [NTE6039](#) [NTE6077](#) [85HFR60](#) [40HFR60](#)  
[70HF120](#) [85HFR80](#) [D126A45C](#) [SCF7500](#) [D251N08B](#) [SCHJ22.5K](#) [SM100](#) [SCPA2](#) [SCH10000](#) [SDHD5K](#) [VS-12FL100S10](#) [ACGRA4001-](#)  
[HF](#) [D1821SH45T PR](#) [D1251S45T](#) [NTE5990](#) [NTE6358](#) [NTE6162](#) [NTE5850](#) [SKN300/16](#)