



**MCP1602**  
**Evaluation Board**  
**User's Guide**

---

---

**Note the following details of the code protection feature on Microchip devices:**

- Microchip products meet the specification contained in their particular Microchip Data Sheet.
- Microchip believes that its family of products is one of the most secure families of its kind on the market today, when used in the intended manner and under normal conditions.
- There are dishonest and possibly illegal methods used to breach the code protection feature. All of these methods, to our knowledge, require using the Microchip products in a manner outside the operating specifications contained in Microchip's Data Sheets. Most likely, the person doing so is engaged in theft of intellectual property.
- Microchip is willing to work with the customer who is concerned about the integrity of their code.
- Neither Microchip nor any other semiconductor manufacturer can guarantee the security of their code. Code protection does not mean that we are guaranteeing the product as "unbreakable."

Code protection is constantly evolving. We at Microchip are committed to continuously improving the code protection features of our products. Attempts to break Microchip's code protection feature may be a violation of the Digital Millennium Copyright Act. If such acts allow unauthorized access to your software or other copyrighted work, you may have a right to sue for relief under that Act.

Information contained in this publication regarding device applications and the like is provided only for your convenience and may be superseded by updates. It is your responsibility to ensure that your application meets with your specifications. MICROCHIP MAKES NO REPRESENTATIONS OR WARRANTIES OF ANY KIND WHETHER EXPRESS OR IMPLIED, WRITTEN OR ORAL, STATUTORY OR OTHERWISE, RELATED TO THE INFORMATION, INCLUDING BUT NOT LIMITED TO ITS CONDITION, QUALITY, PERFORMANCE, MERCHANTABILITY OR FITNESS FOR PURPOSE. Microchip disclaims all liability arising from this information and its use. Use of Microchip devices in life support and/or safety applications is entirely at the buyer's risk, and the buyer agrees to defend, indemnify and hold harmless Microchip from any and all damages, claims, suits, or expenses resulting from such use. No licenses are conveyed, implicitly or otherwise, under any Microchip intellectual property rights.

**Trademarks**

The Microchip name and logo, the Microchip logo, Accuron, dsPIC, KEELOQ, KEELOQ logo, microID, MPLAB, PIC, PICmicro, PICSTART, PRO MATE, rfPIC and SmartShunt are registered trademarks of Microchip Technology Incorporated in the U.S.A. and other countries.


AmpLab, FilterLab, Linear Active Thermistor, Migratable Memory, MXDEV, MXLAB, SEEVAL, SmartSensor and The Embedded Control Solutions Company are registered trademarks of Microchip Technology Incorporated in the U.S.A.

Analog-for-the-Digital Age, Application Maestro, CodeGuard, dsPICDEM, dsPICDEM.net, dsPICworks, dsSPEAK, ECAN, ECONOMONITOR, FanSense, FlexROM, fuzzyLAB, In-Circuit Serial Programming, ICSP, ICEPIC, Mindi, MiWi, MPASM, MPLAB Certified logo, MPLIB, MPLINK, PCKit, PICDEM, PICDEM.net, PICLAB, PICTail, PowerCal, PowerInfo, PowerMate, PowerTool, REAL ICE, rfLAB, Select Mode, Smart Serial, SmartTel, Total Endurance, UNI/O, WiperLock and ZENA are trademarks of Microchip Technology Incorporated in the U.S.A. and other countries.

SQTP is a service mark of Microchip Technology Incorporated in the U.S.A.

All other trademarks mentioned herein are property of their respective companies.

© 2007, Microchip Technology Incorporated, Printed in the U.S.A., All Rights Reserved.

 Printed on recycled paper.

**QUALITY MANAGEMENT SYSTEM  
CERTIFIED BY DNV  
== ISO/TS 16949:2002 ==**

*Microchip received ISO/TS-16949:2002 certification for its worldwide headquarters, design and wafer fabrication facilities in Chandler and Tempe, Arizona; Gresham, Oregon and design centers in California and India. The Company's quality system processes and procedures are for its PIC® MCUs and dsPIC® DSCs, KEELOQ® code hopping devices, Serial EEPROMs, microperipherals, nonvolatile memory and analog products. In addition, Microchip's quality system for the design and manufacture of development systems is ISO 9001:2000 certified.*

**Table of Contents**

<b>Preface .....</b>	<b>1</b>
Introduction.....	1
Document Layout .....	1
Conventions Used in this Guide .....	2
Recommended Reading.....	2
The Microchip Web Site .....	3
Customer Support .....	3
Document Revision History .....	3
 <b>Chapter 1. Product Overview</b>	
1.1 Introduction .....	5
1.2 What is the MCP1602 Evaluation Board? .....	6
1.3 What the MCP1602 Evaluation Board kit includes .....	6
 <b>Chapter 2. Installation and Operation</b>	
2.1 Introduction .....	7
2.2 Features .....	7
2.3 Getting Started .....	8
 <b>Appendix A. Schematic and Layouts</b>	
A.1 Introduction .....	11
A.2 Board – Schematic .....	12
A.3 Board – Top Layer .....	13
A.4 Board – Top Metal Layer .....	14
A.5 Board – Bottom Layer .....	15
 <b>Appendix B. Bill Of Materials (BOM)</b>	
 <b>Worldwide Sales and Service .....</b>	<b>18</b>

# MCP1602 Evaluation Board User's Guide

---

NOTES:

---

---

## Preface

---

---

### NOTICE TO CUSTOMERS

All documentation becomes dated, and this manual is no exception. Microchip tools and documentation are constantly evolving to meet customer needs, so some actual dialogs and/or tool descriptions may differ from those in this document. Please refer to our web site ([www.microchip.com](http://www.microchip.com)) to obtain the latest documentation available.

Documents are identified with a “DS” number. This number is located on the bottom of each page, in front of the page number. The numbering convention for the DS number is “DSXXXXA”, where “XXXX” is the document number and “A” is the revision level of the document.

For the most up-to-date information on development tools, see the MPLAB® IDE on-line help. Select the Help menu, and then Topics to open a list of available on-line help files.

## INTRODUCTION

This chapter contains general information that will be useful to know before using the MCP1602 Evaluation Board. Items discussed in this chapter include:

- Document Layout
- Conventions Used in this Guide
- Recommended Reading
- The Microchip Web Site
- Customer Support
- Document Revision History

## DOCUMENT LAYOUT

This document describes how to use the MCP1602 Evaluation Board as a development tool. The manual layout is as follows:

- **Chapter 1. “Product Overview”** – Important information about the MCP1602 Evaluation Board.
- **Chapter 2. “Installation and Operation”** – Includes instructions on how to get started with this user’s guide and a description of the user’s guide.
- **Appendix A. “Schematic and Layouts”** – Shows the schematic and layout diagrams for the MCP1602 Evaluation Board.
- **Appendix B. “Bill Of Materials (BOM)”** – Lists the parts used to build the MCP1602 Evaluation Board.

# MCP1602 Evaluation Board User's Guide

## CONVENTIONS USED IN THIS GUIDE

This manual uses the following documentation conventions:

### DOCUMENTATION CONVENTIONS

Description	Represents	Examples
<b>Arial font:</b>		
Italic characters	Referenced books	<i>MPLAB<sup>®</sup> IDE User's Guide</i>
	Emphasized text	...is the <i>only</i> compiler...
Initial caps	A window	the Output window
	A dialog	the Settings dialog
	A menu selection	select Enable Programmer
Quotes	A field name in a window or dialog	"Save project before build"
Underlined, italic text with right angle bracket	A menu path	<u><i>File&gt;Save</i></u>
Bold characters	A dialog button	Click <b>OK</b>
	A tab	Click the <b>Power</b> tab
N'Rnnnn	A number in verilog format, where N is the total number of digits, R is the radix and n is a digit.	4'b0010, 2'hF1
Text in angle brackets < >	A key on the keyboard	Press <Enter>, <F1>
<b>Courier New font:</b>		
Plain Courier New	Sample source code	#define START
	Filenames	autoexec.bat
	File paths	c:\mcc18\h
	Keywords	_asm, _endasm, static
	Command-line options	-Opa+, -Opa-
	Bit values	0, 1
	Constants	0xFF, 'A'
Italic Courier New	A variable argument	<i>file.o</i> , where <i>file</i> can be any valid filename
Square brackets [ ]	Optional arguments	mcc18 [options] <i>file</i> [options]
Curly brackets and pipe character: {   }	Choice of mutually exclusive arguments; an OR selection	errorlevel {0 1}
Ellipses...	Replaces repeated text	var_name [, var_name...]
	Represents code supplied by user	void main (void) { ... }

## RECOMMENDED READING

This user's guide describes how to use MCP1602 Evaluation Board. Other useful documents are listed below. The following Microchip documents are available and recommended as supplemental reference resources.

**MCP1602 Data Sheet, "2.0 MHz, 500 mA Synchronous Buck Regulator with Power-Good", DS22061A**

This data sheet provides detailed information regarding the MCP1602 product family.

## THE MICROCHIP WEB SITE

Microchip provides online support via our web site at [www.microchip.com](http://www.microchip.com). This web site is used as a means to make files and information easily available to customers. Accessible by using your favorite Internet browser, the web site contains the following information:

- **Product Support** – Data sheets and errata, application notes and sample programs, design resources, user's guides and hardware support documents, latest software releases and archived software
- **General Technical Support** – Frequently Asked Questions (FAQs), technical support requests, online discussion groups, Microchip consultant program member listing
- **Business of Microchip** – Product selector and ordering guides, latest Microchip press releases, listing of seminars and events, listings of Microchip sales offices, distributors and factory representatives

## CUSTOMER SUPPORT

Users of Microchip products can receive assistance through several channels:

- Distributor or Representative
- Local Sales Office
- Field Application Engineer (FAE)
- Technical Support

Customers should contact their distributor, representative or field application engineer (FAE) for support. Local sales offices are also available to help customers. A listing of sales offices and locations is included in the back of this document.

Technical support is available through the web site at: <http://support.microchip.com>

## DOCUMENT REVISION HISTORY

### Revision A (November 2007)

- Initial Release of this Document.

# MCP1602 Evaluation Board User's Guide

---

NOTES:



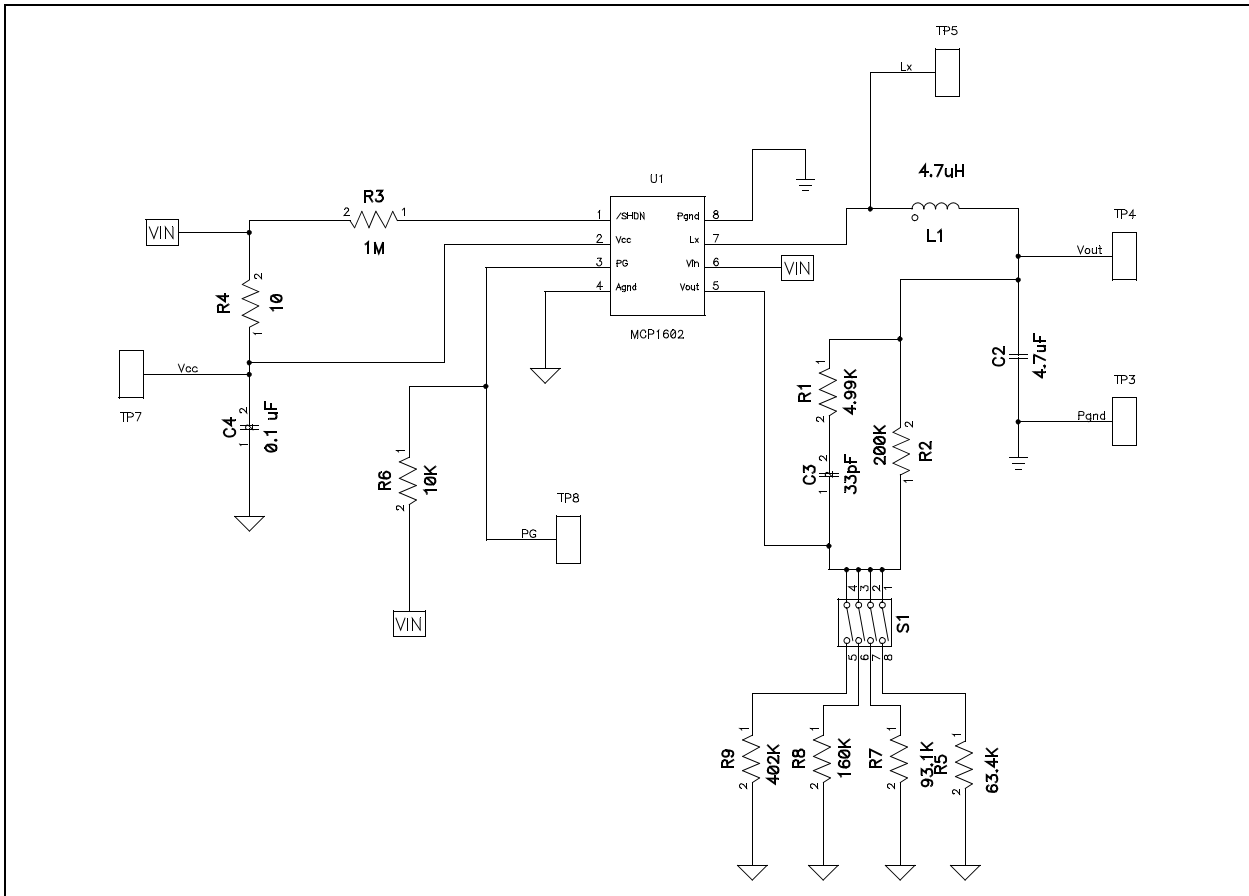
**Chapter 1. Product Overview**

**1.1 INTRODUCTION**

The MCP1602 Evaluation Board demonstrates the features and capabilities of Microchip's MCP1602 Evaluation Board 500 mA PFM/PWM Synchronous Buck Regulator. The MCP1602 is a step-down (Buck) switching regulator with a Power-Good monitor to provide a highly integrated solution for systems that require supply voltage between 0.8V to 4.5V. The MCP1602 requires input voltage range from 2.7V to 5.5V. The MCP1602 Evaluation Board includes a MCP1602 circuit that has a Shutdown feature and a 4-position Dip Switch to select between different output voltages. MCP1602 Evaluation Board is available in 0.8V, 1.2V, 1.8V, 2.5V and 3.3V. Additional test points are available on the MCP1602 Evaluation Board for reviewing the performances and features of MCP1602 Evaluation Board.

This chapter covers the following topics:

- What is the MCP1602 Evaluation Board?
- What the MCP1602 Evaluation Board Kit includes



**FIGURE 1-1:** MCP1602 Typical Applications With Adjustable Output Voltage.

# MCP1602 Evaluation Board User's Guide

---

## 1.2 WHAT IS THE MCP1602 EVALUATION BOARD?

The MCP1602 Evaluation Board demonstrates the use of PFM/PWM Synchronous Buck Controller that regulates output voltages from 0.8V to 4.5V with Adjustable version or 1.2V, 1.5V, 1.8V, 2.5V and 3.3V with Fixed-Output version.

The MCP1602 Evaluation Board Evaluation Board is setup to evaluate simple DC-to-DC conversion. This board utilizes Microchip's MCP1602 Evaluation Board (PFM/PWM Synchronous Buck Regulator) that effectively steps down from  $V_{IN}$  to regulated  $V_{OUT}$ . The Power Good function can be observed via the output signal on the PG pin. The MCP1602 on the MCP1602 Evaluation Board is enabled and can be turned off by pulling the  $\overline{SHDN}$  pin low.

The MCP1602 Evaluation Board is designed to observe the performance and features on the circuit via multiple test points. Users can also discover the compact size of the layout in addition to the device itself. The circuit can also be implemented into suitable applications without extra work.

## 1.3 WHAT THE MCP1602 EVALUATION BOARD KIT INCLUDES

This MCP1602 Evaluation Board Kit includes:

- MCP1602 Evaluation Board, 102-00120
- MCP1602 Device with adjustable output voltage (Installed)
- Analog and Interface Products Demonstration Boards CD-ROM (DS21912)
  - MCP1602 Evaluation Board User's Guide, DS51691
  - MCP1602 Evaluation Board Data Sheet, "2..0 MHz, 500 mA Synchronous Buck Regulator with Power-Good", DS22061

---

---

## Chapter 2. Installation and Operation

---

---

### 2.1 INTRODUCTION

The MCP1602 Evaluation Board demonstrates Microchip's MCP1602 device. This device is a 500 mA, 2.0 MHz PFM/PWM Step-Down DC/DC Regulators With Power-Good feature. It is available in adjustable and fixed outputs. The MCP1602 features Shutdown, Power-Good Monitor, Output Short Circuit Protection and Over-temperature Protection.

The device requires only minimum components to implement a complete Step-Down DC/DC Circuit. The MCP1602 is designed to operate in PFM (Pulse Frequency Modulation) and PWM (Pulse Width Modulation) modes with various load conditions that is ideal for battery-powered portable applications.

The MCP1602 Evaluation Board provides five regulated output voltages for evaluation. Available output voltages are: 0.8V, 1.2V, 1.8V, 2.5V and 3.3V.

Typical applications for the MCP1602 device are: PDAs, Portable Computers, Portable Media Players, USB-Powered Systems, Digital Cameras, Handheld Medical Instruments, Ultra-Mobile PCs and Portable Communicators.

### 2.2 FEATURES

The MCP1602 Evaluation Board has the following features:

- Adjustable Output Voltages: 0.8V, 1.2V, 1.8V, 2.5V and 3.3V
- Input Voltage Range: 2.7V to 5.5V
- Shutdown Test Point
- Power-Good Test Point
- Easy  $V_{OUT}$  setup with Slide Style Dip Switch
- $L_X$  Test Point for switching behavior observation.

# MCP1602 Evaluation Board User's Guide

---

## 2.3 GETTING STARTED

The MCP1602 Evaluation Board is fully assembled and tested for generating a regulated 0.8V, 1.2V, 1.8V, 2.5V and 3.3V output voltage from the MCP1602 device with a 2.7V to 5.5V input voltage source for  $V_{IN} > V_{OUT}$ .

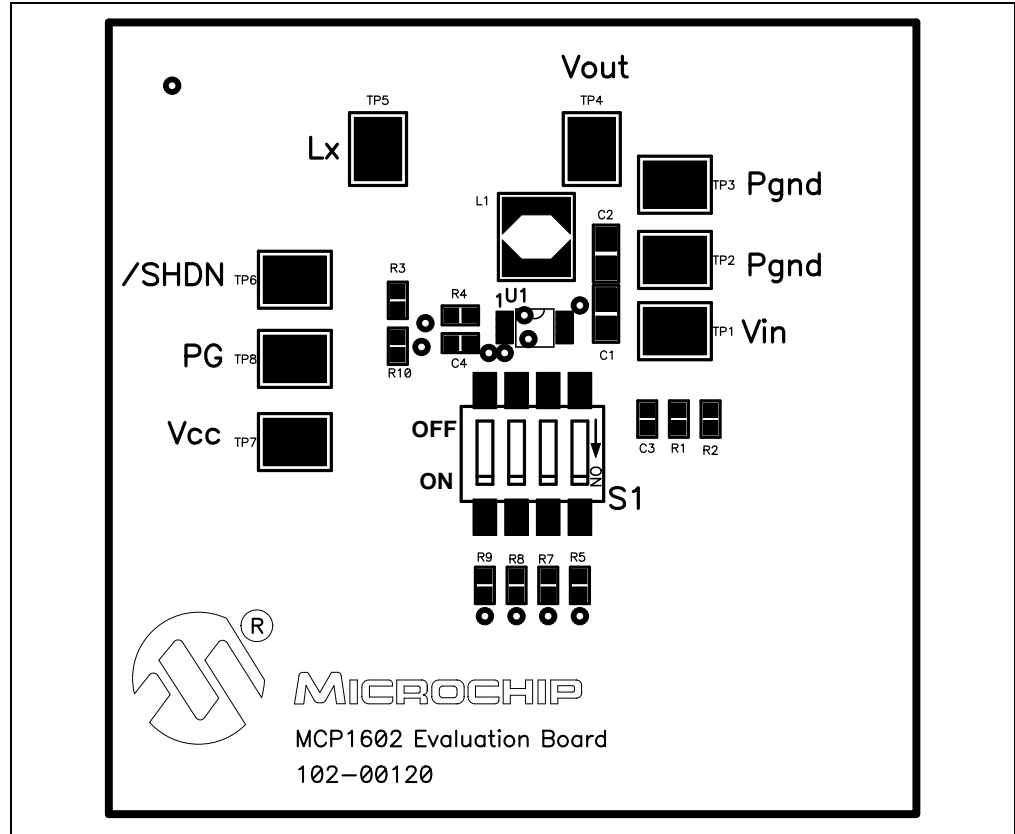
### 2.3.1 Power Input and Output Connection

#### 2.3.1.1 POWERING THE MCP1602 EVALUATION BOARD

1. Connect the negative terminal of the DC power supply to  $P_{GND}$ .
2. Connect the positive terminal of the DC power supply to  $V_{IN}$ .
3. Connect the positive terminal of the multimeter to  $V_{OUT}$  and the negative terminal to  $P_{GND}$ . The multimeter should display a regulated output voltage.
4. Adjust the DIP Switch to the desired value and the multimeter should read the desired output voltage. Refer to Table 2-1 for the voltage regulation.

**Note:** The number labels on the DIP SWITCH may have slightly different way to demonstrate the mark, but will not affect the performance of the board.

5. The  $\overline{SHDN}$  pin defaults to the enabled position on the MCP1602 Evaluation Board. To enter the shutdown mode, drive the  $\overline{SHDN}$  pin low.
6. The  $L_X$  pin is available to observe the switching waveforms. By adjusting a variable load that is connected to  $V_{OUT}$ , the transitions between PFM/PWM can be easily observed.
7. The PG pin is available to monitor the Power-Good signal.



**FIGURE 2-1:** Board Top Assembly.

**TABLE 2-1: OUTPUT VOLTAGE REGULATION DIP POSITION**

Voltage (V)	1	2	3	4
0.8V	OFF	OFF	OFF	OFF
1.2V	ON	OFF	OFF	OFF
1.8V	OFF	ON	OFF	OFF
2.5V	OFF	OFF	ON	OFF
3.3V	OFF	OFF	OFF	ON

# MCP1602 Evaluation Board User's Guide

---

NOTES:



# MCP1602 EVALUATION BOARD USER'S GUIDE

---

---

## Appendix A. Schematic and Layouts

---

---

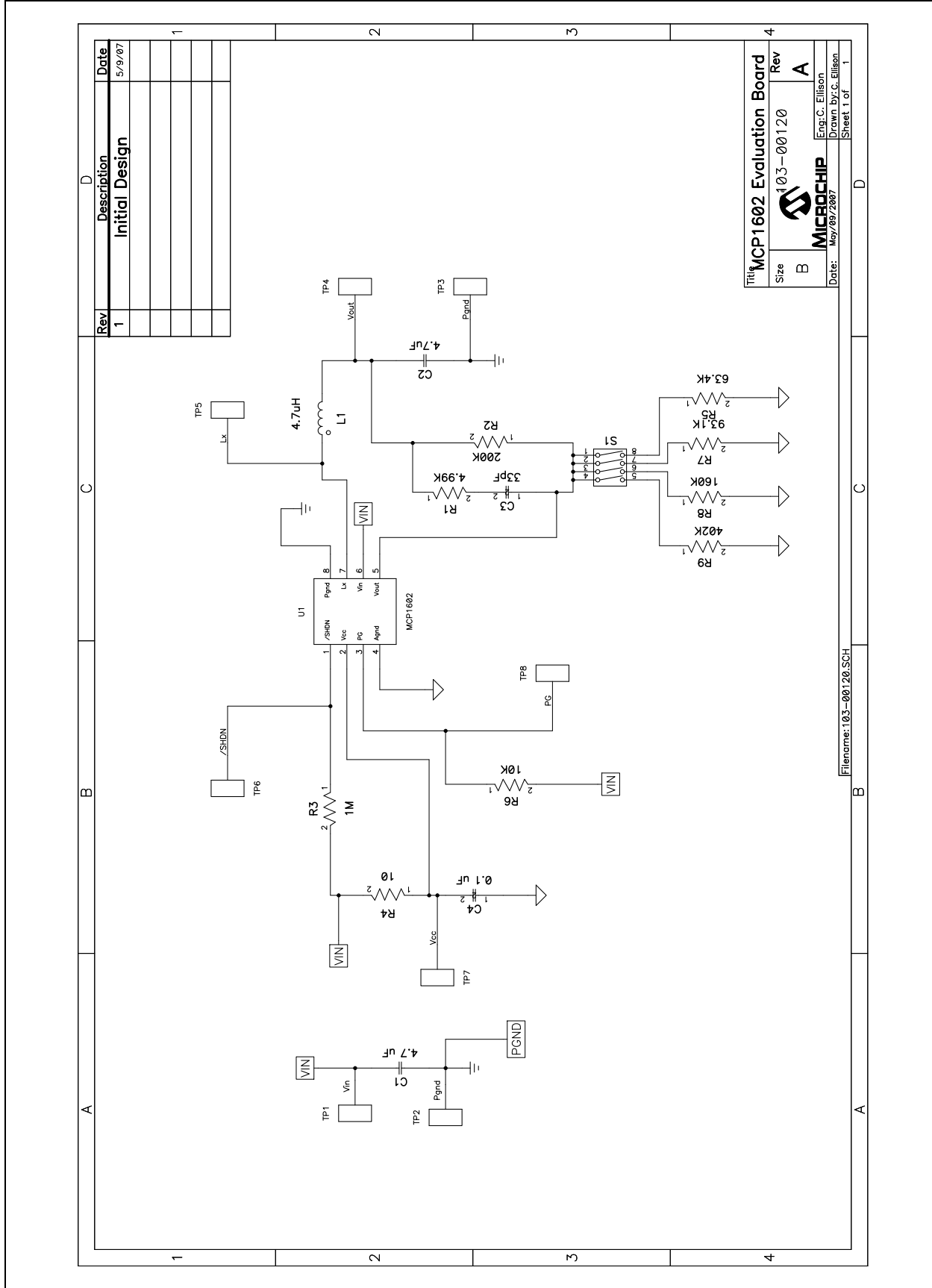
### A.1 INTRODUCTION

This appendix contains the following schematics and layouts for the MCP1602 Evaluation Board:

- Board – Schematic Sheet
- Board – Top Layer
- Board – Top Metal Layer
- Board – Bottom Layer

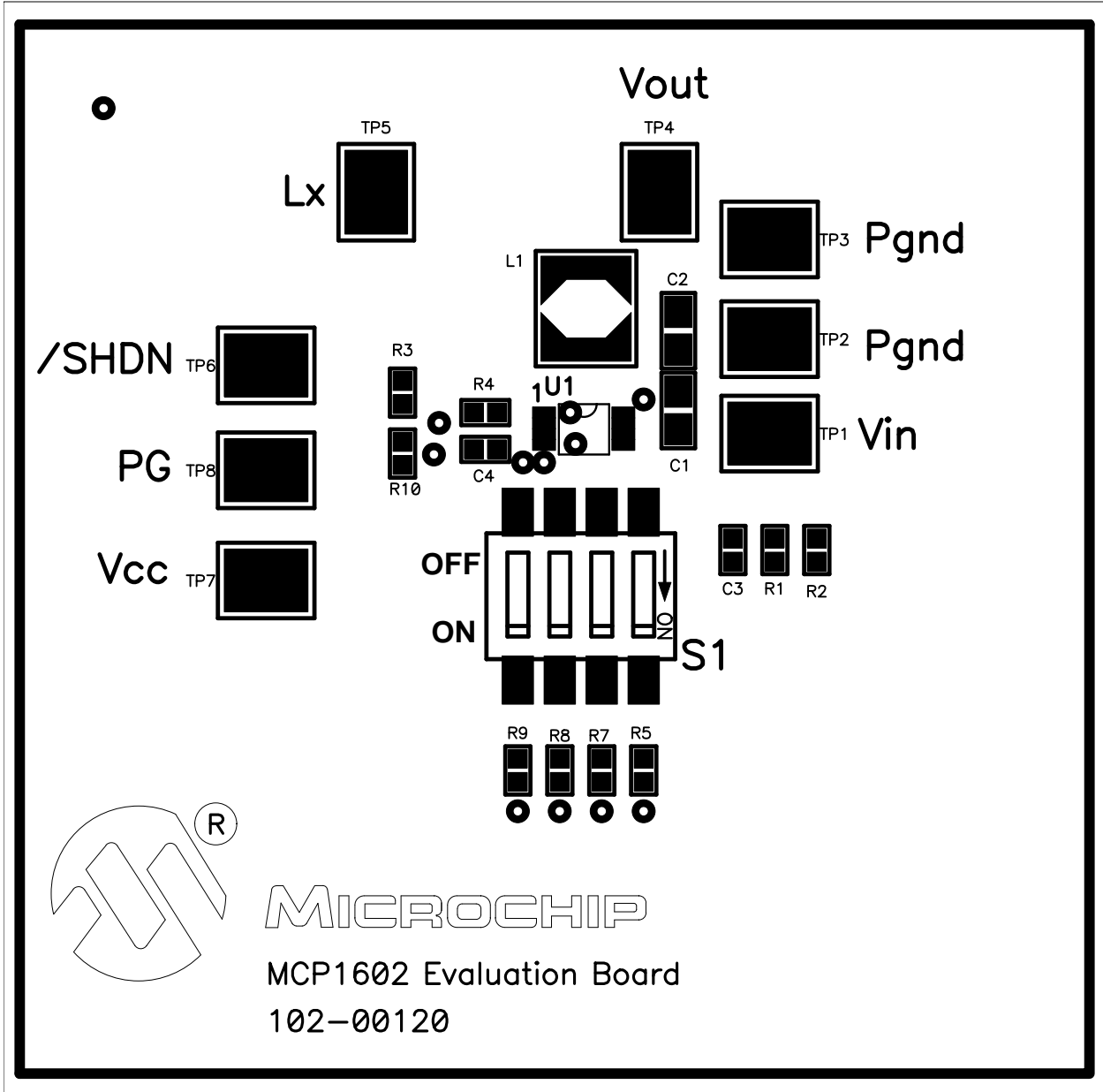
# MCP1602 Evaluation Board User's Guide

## A.2 BOARD – SCHEMATIC



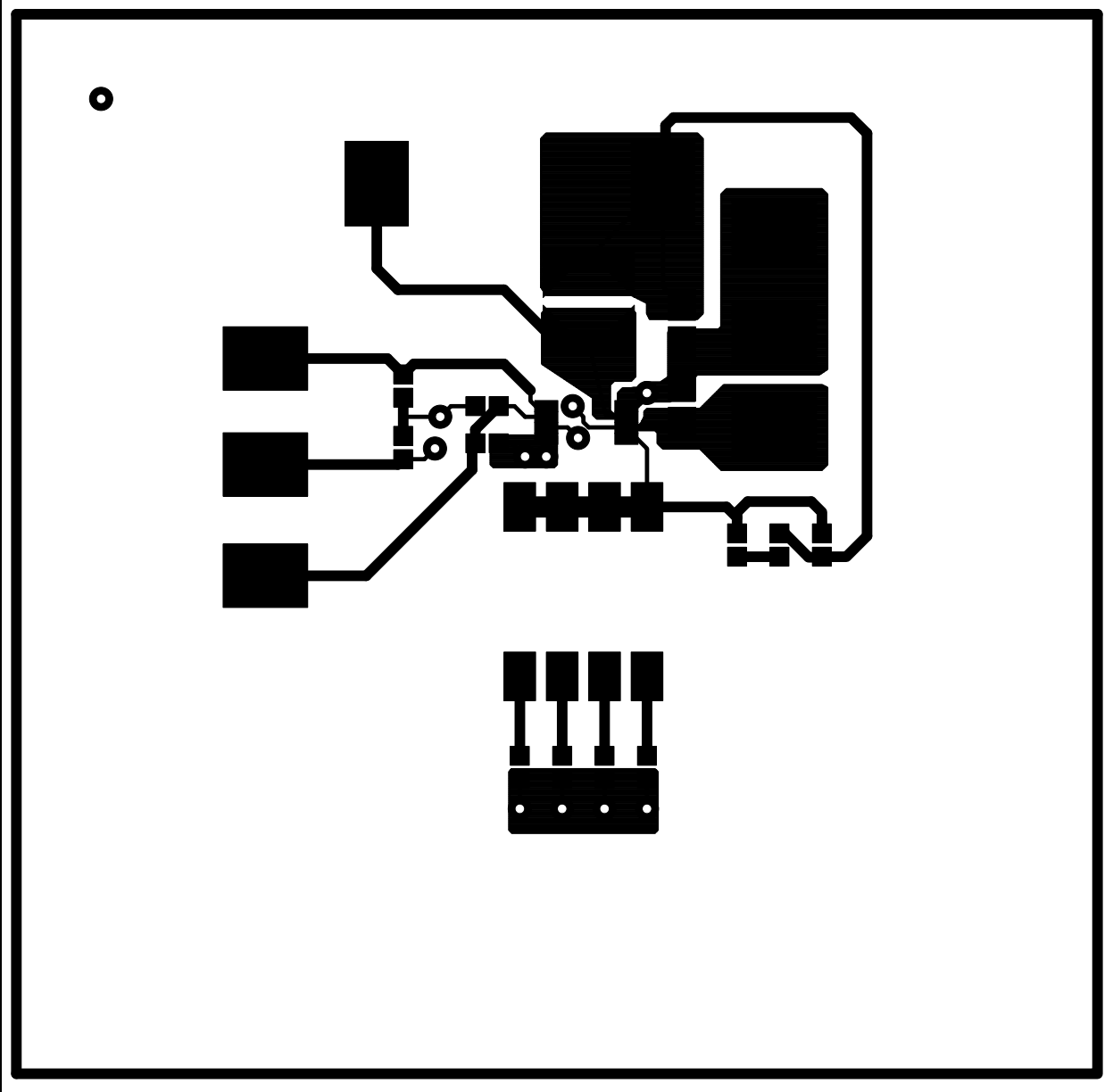


## A.3 BOARD – TOP LAYER

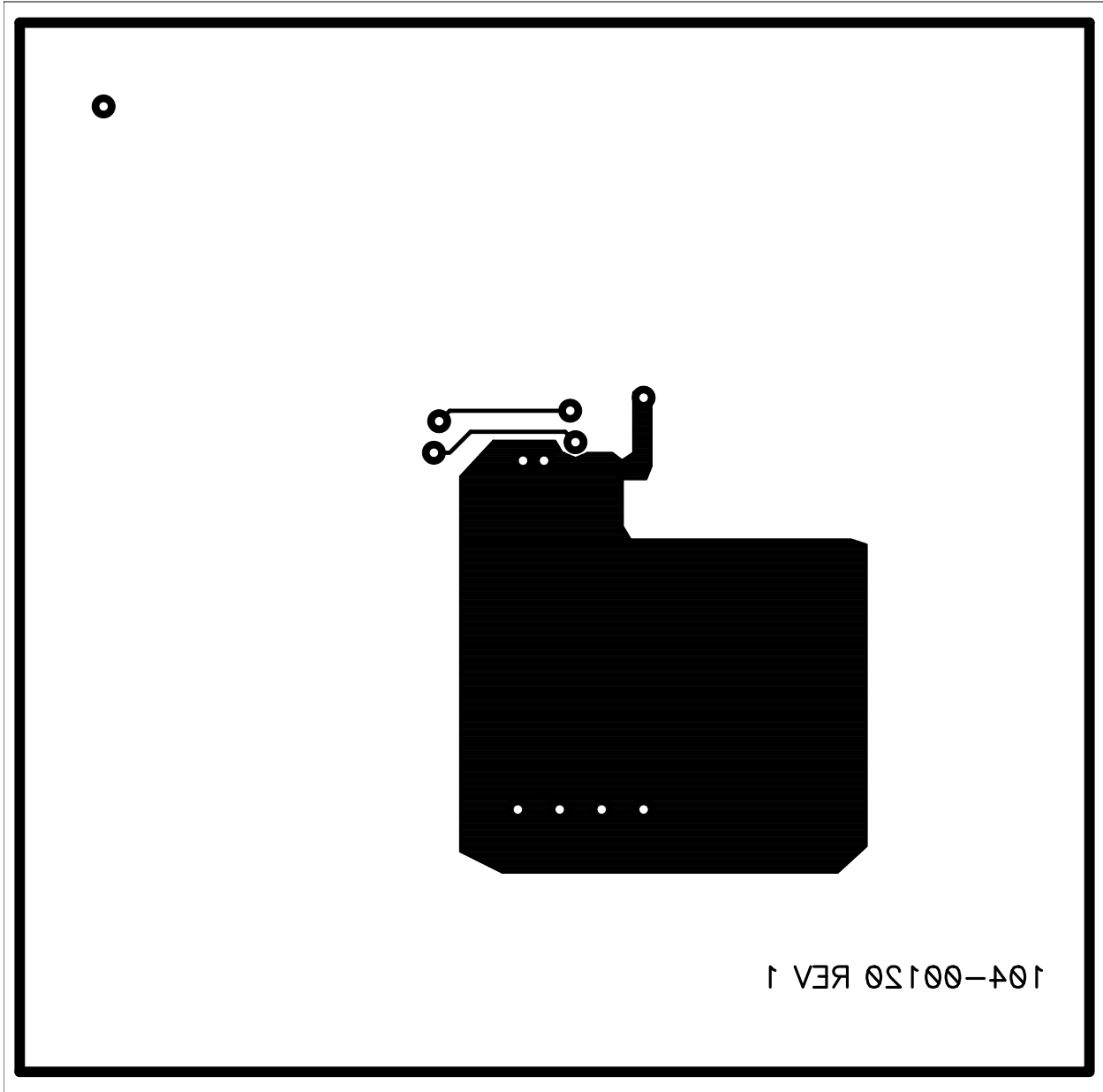


# MCP1602 Evaluation Board User's Guide

## A.4 BOARD – TOP METAL LAYER



## A.5 BOARD – BOTTOM LAYER



# MCP1602 Evaluation Board User's Guide

---

NOTES:

**Appendix B. Bill Of Materials (BOM)**

**TABLE B-1: BILL OF MATERIALS (BOM)**

Qty	Reference	Description	Manufacturer	Part Number
2	C1, C2	CAP CERAMIC 4.7 $\mu$ F 16V X5R 0805	Panasonic <sup>®</sup> - ECG	ECJ-2FB1C475K
1	C3	CAP CERAMIC 33 pF 25V NP0 0201	Panasonic - ECG	ECJ-ZEC1E330J
1	C4	CAP CERAMIC .1 $\mu$ F 16V X7R 0603	Panasonic - ECG	ECJ-1VB1C104K
1	R1	RES 4.99K OHM 1/10W 1% 0603 SMD	Panasonic - ECG	ERJ-3EKF4991V
1	R2	RES 200K OHM 1/10W 5% 0603 SMD	Panasonic - ECG	ERJ-3GEYJ204V
1	R3	RES 1.00M OHM 1/10W 1% 0603 SMD	Panasonic - ECG	ERJ-3EKF1004V
1	R4	RES 10.0 OHM 1/10W 1% 0603 SMD	Panasonic - ECG	ERJ-3EKF10R0V
1	R5	RES 63.4K OHM 1/10W 1% 0603 SMD	Panasonic - ECG	ERJ-3EKF6342V
1	R6	RES 10.0K OHM 1/10W 1% 0603 SMD	Panasonic - ECG	ERJ-3EKF1002V
1	R7	RES 93.1K OHM 1/10W 1% 0603 SMD	Panasonic - ECG	ERJ-3EKF9312V
1	R8	RES 160K OHM 1/10W 5% 0603 SMD	Panasonic - ECG	ERJ-3GEYJ164V
1	R9	RES 402K OHM 1/10W 1% 0603 SMD	Panasonic - ECG	ERJ-3EKF4023V
1	S1	SWITCH DIP SPST SEALED 4POS SMD	Copal Electronics Inc	SD04H1SB
1	L1	INDUCTOR POWER SHIELD 4.7 $\mu$ H SMD	Coiltronics	SD18-4R7-R
8	TP1, TP2, TP3, TP4, TP5, TP6, TP7, TP8	PC Test Point Compact SMT	Keystone Electronics <sup>®</sup>	5016
1	U1	500 mA PFM/PWM Synchronous Buck Regulator	Microchip Technology, Inc	MCP1602-ADJI/MF
1	---	Printed Circuit Board	—	104-00120-R1

**Note 1:** The components listed in this Bill of Materials are representative of the PCB assembly. The released BOM used in manufacturing uses all RoHS-compliant components.



---

---

## WORLDWIDE SALES AND SERVICE

---

---

### AMERICAS

**Corporate Office**  
2355 West Chandler Blvd.  
Chandler, AZ 85224-6199  
Tel: 480-792-7200  
Fax: 480-792-7277  
Technical Support:  
<http://support.microchip.com>  
Web Address:  
[www.microchip.com](http://www.microchip.com)

**Atlanta**  
Duluth, GA  
Tel: 678-957-9614  
Fax: 678-957-1455

**Boston**  
Westborough, MA  
Tel: 774-760-0087  
Fax: 774-760-0088

**Chicago**  
Itasca, IL  
Tel: 630-285-0071  
Fax: 630-285-0075

**Dallas**  
Addison, TX  
Tel: 972-818-7423  
Fax: 972-818-2924

**Detroit**  
Farmington Hills, MI  
Tel: 248-538-2250  
Fax: 248-538-2260

**Kokomo**  
Kokomo, IN  
Tel: 765-864-8360  
Fax: 765-864-8387

**Los Angeles**  
Mission Viejo, CA  
Tel: 949-462-9523  
Fax: 949-462-9608

**Santa Clara**  
Santa Clara, CA  
Tel: 408-961-6444  
Fax: 408-961-6445

**Toronto**  
Mississauga, Ontario,  
Canada  
Tel: 905-673-0699  
Fax: 905-673-6509

### ASIA/PACIFIC

**Asia Pacific Office**  
Suites 3707-14, 37th Floor  
Tower 6, The Gateway  
Harbour City, Kowloon  
Hong Kong  
Tel: 852-2401-1200  
Fax: 852-2401-3431

**Australia - Sydney**  
Tel: 61-2-9868-6733  
Fax: 61-2-9868-6755

**China - Beijing**  
Tel: 86-10-8528-2100  
Fax: 86-10-8528-2104

**China - Chengdu**  
Tel: 86-28-8665-5511  
Fax: 86-28-8665-7889

**China - Fuzhou**  
Tel: 86-591-8750-3506  
Fax: 86-591-8750-3521

**China - Hong Kong SAR**  
Tel: 852-2401-1200  
Fax: 852-2401-3431

**China - Nanjing**  
Tel: 86-25-8473-2460  
Fax: 86-25-8473-2470

**China - Qingdao**  
Tel: 86-532-8502-7355  
Fax: 86-532-8502-7205

**China - Shanghai**  
Tel: 86-21-5407-5533  
Fax: 86-21-5407-5066

**China - Shenyang**  
Tel: 86-24-2334-2829  
Fax: 86-24-2334-2393

**China - Shenzhen**  
Tel: 86-755-8203-2660  
Fax: 86-755-8203-1760

**China - Shunde**  
Tel: 86-757-2839-5507  
Fax: 86-757-2839-5571

**China - Wuhan**  
Tel: 86-27-5980-5300  
Fax: 86-27-5980-5118

**China - Xian**  
Tel: 86-29-8833-7252  
Fax: 86-29-8833-7256

### ASIA/PACIFIC

**India - Bangalore**  
Tel: 91-80-4182-8400  
Fax: 91-80-4182-8422

**India - New Delhi**  
Tel: 91-11-4160-8631  
Fax: 91-11-4160-8632

**India - Pune**  
Tel: 91-20-2566-1512  
Fax: 91-20-2566-1513

**Japan - Yokohama**  
Tel: 81-45-471- 6166  
Fax: 81-45-471-6122

**Korea - Daegu**  
Tel: 82-53-744-4301  
Fax: 82-53-744-4302

**Korea - Seoul**  
Tel: 82-2-554-7200  
Fax: 82-2-558-5932 or  
82-2-558-5934

**Malaysia - Kuala Lumpur**  
Tel: 60-3-6201-9857  
Fax: 60-3-6201-9859

**Malaysia - Penang**  
Tel: 60-4-227-8870  
Fax: 60-4-227-4068

**Philippines - Manila**  
Tel: 63-2-634-9065  
Fax: 63-2-634-9069

**Singapore**  
Tel: 65-6334-8870  
Fax: 65-6334-8850

**Taiwan - Hsin Chu**  
Tel: 886-3-572-9526  
Fax: 886-3-572-6459

**Taiwan - Kaohsiung**  
Tel: 886-7-536-4818  
Fax: 886-7-536-4803

**Taiwan - Taipei**  
Tel: 886-2-2500-6610  
Fax: 886-2-2508-0102

**Thailand - Bangkok**  
Tel: 66-2-694-1351  
Fax: 66-2-694-1350

### EUROPE

**Austria - Wels**  
Tel: 43-7242-2244-39  
Fax: 43-7242-2244-393

**Denmark - Copenhagen**  
Tel: 45-4450-2828  
Fax: 45-4485-2829

**France - Paris**  
Tel: 33-1-69-53-63-20  
Fax: 33-1-69-30-90-79

**Germany - Munich**  
Tel: 49-89-627-144-0  
Fax: 49-89-627-144-44

**Italy - Milan**  
Tel: 39-0331-742611  
Fax: 39-0331-466781

**Netherlands - Drunen**  
Tel: 31-416-690399  
Fax: 31-416-690340

**Spain - Madrid**  
Tel: 34-91-708-08-90  
Fax: 34-91-708-08-91

**UK - Wokingham**  
Tel: 44-118-921-5869  
Fax: 44-118-921-5820

10/05/07

## X-ON Electronics

Largest Supplier of Electrical and Electronic Components

*Click to view similar products for [Power Management IC Development Tools](#) category:*

*Click to view products by [Microchip](#) manufacturer:*

Other Similar products are found below :

[EVB-EP5348UI](#) [MIC23451-AAAYFL EV](#) [MIC5281YMME EV](#) [124352-HMC860LP3E](#) [DA9063-EVAL](#) [ADP122-3.3-EVALZ](#) [ADP130-0.8-EVALZ](#) [ADP130-1.8-EVALZ](#) [ADP1740-1.5-EVALZ](#) [ADP1870-0.3-EVALZ](#) [ADP1874-0.3-EVALZ](#) [ADP199CB-EVALZ](#) [ADP2102-1.25-EVALZ](#) [ADP2102-1.875EVALZ](#) [ADP2102-1.8-EVALZ](#) [ADP2102-2-EVALZ](#) [ADP2102-3-EVALZ](#) [ADP2102-4-EVALZ](#) [AS3606-DB](#) [BQ25010EVM](#) [BQ3055EVM](#) [ISLUSBI2CKIT1Z](#) [LP38512TS-1.8EV](#) [EVAL-ADM1186-1MBZ](#) [EVAL-ADM1186-2MBZ](#) [ADP122UJZ-REDYKIT](#) [ADP166Z-REDYKIT](#) [ADP170-1.8-EVALZ](#) [ADP171-EVALZ](#) [ADP1853-EVALZ](#) [ADP1873-0.3-EVALZ](#) [ADP198CP-EVALZ](#) [ADP2102-1.0-EVALZ](#) [ADP2102-1-EVALZ](#) [ADP2107-1.8-EVALZ](#) [ADP5020CP-EVALZ](#) [CC-ACC-DBMX-51](#) [ATPL230A-EK](#) [MIC23250-S4YMT EV](#) [MIC26603YJL EV](#) [MIC33050-SYHL EV](#) [TPS60100EVM-131](#) [TPS65010EVM-230](#) [TPS71933-28EVM-213](#) [TPS72728YFFEVM-407](#) [TPS79318YEQEVM](#) [UCC28810EVM-002](#) [XILINXPWR-083](#) [LMR22007YMINI-EVM](#) [LP38501ATJ-EV](#)