



**MCP1603**  
**Buck Converter**  
**Evaluation Board**  
**User's Guide**

---

**Note the following details of the code protection feature on Microchip devices:**

- Microchip products meet the specification contained in their particular Microchip Data Sheet.
- Microchip believes that its family of products is one of the most secure families of its kind on the market today, when used in the intended manner and under normal conditions.
- There are dishonest and possibly illegal methods used to breach the code protection feature. All of these methods, to our knowledge, require using the Microchip products in a manner outside the operating specifications contained in Microchip's Data Sheets. Most likely, the person doing so is engaged in theft of intellectual property.
- Microchip is willing to work with the customer who is concerned about the integrity of their code.
- Neither Microchip nor any other semiconductor manufacturer can guarantee the security of their code. Code protection does not mean that we are guaranteeing the product as "unbreakable."

Code protection is constantly evolving. We at Microchip are committed to continuously improving the code protection features of our products. Attempts to break Microchip's code protection feature may be a violation of the Digital Millennium Copyright Act. If such acts allow unauthorized access to your software or other copyrighted work, you may have a right to sue for relief under that Act.

---

Information contained in this publication regarding device applications and the like is provided only for your convenience and may be superseded by updates. It is your responsibility to ensure that your application meets with your specifications. MICROCHIP MAKES NO REPRESENTATIONS OR WARRANTIES OF ANY KIND WHETHER EXPRESS OR IMPLIED, WRITTEN OR ORAL, STATUTORY OR OTHERWISE, RELATED TO THE INFORMATION, INCLUDING BUT NOT LIMITED TO ITS CONDITION, QUALITY, PERFORMANCE, MERCHANTABILITY OR FITNESS FOR PURPOSE. Microchip disclaims all liability arising from this information and its use. Use of Microchip devices in life support and/or safety applications is entirely at the buyer's risk, and the buyer agrees to defend, indemnify and hold harmless Microchip from any and all damages, claims, suits, or expenses resulting from such use. No licenses are conveyed, implicitly or otherwise, under any Microchip intellectual property rights.

**Trademarks**

The Microchip name and logo, the Microchip logo, Accuron, dsPIC, KEELOQ, KEELOQ logo, microID, MPLAB, PIC, PICmicro, PICSTART, PRO MATE, rPIC and SmartShunt are registered trademarks of Microchip Technology Incorporated in the U.S.A. and other countries.


AmpLab, FilterLab, Linear Active Thermistor, Migratable Memory, MXDEV, MXLAB, SEEVAL, SmartSensor and The Embedded Control Solutions Company are registered trademarks of Microchip Technology Incorporated in the U.S.A.

Analog-for-the-Digital Age, Application Maestro, CodeGuard, dsPICDEM, dsPICDEM.net, dsPICworks, ECAN, ECONOMONITOR, FanSense, FlexROM, fuzzyLAB, In-Circuit Serial Programming, ICSP, ICEPIC, Mindi, MiWi, MPASM, MPLAB Certified logo, MPLIB, MPLINK, PICkit, PICDEM, PICDEM.net, PICLAB, PICtail, PowerCal, PowerInfo, PowerMate, PowerTool, REAL ICE, rLAB, Select Mode, Smart Serial, SmartTel, Total Endurance, UNI/O, WiperLock and ZENA are trademarks of Microchip Technology Incorporated in the U.S.A. and other countries.

SQTP is a service mark of Microchip Technology Incorporated in the U.S.A.

All other trademarks mentioned herein are property of their respective companies.

© 2007, Microchip Technology Incorporated, Printed in the U.S.A., All Rights Reserved.

 Printed on recycled paper.

**QUALITY MANAGEMENT SYSTEM**  
**CERTIFIED BY DNV**  
**== ISO/TS 16949:2002 ==**

*Microchip received ISO/TS-16949:2002 certification for its worldwide headquarters, design and wafer fabrication facilities in Chandler and Tempe, Arizona; Gresham, Oregon and design centers in California and India. The Company's quality system processes and procedures are for its PIC® MCUs and dsPIC® DSCs, KEELOQ® code hopping devices, Serial EEPROMs, microperipherals, nonvolatile memory and analog products. In addition, Microchip's quality system for the design and manufacture of development systems is ISO 9001:2000 certified.*



# MCP1603 BUCK CONVERTER EVALUATION BOARD USER'S GUIDE

---

---

## Table of Contents

---

---

<b>Preface</b> .....	<b>1</b>
Introduction.....	1
Document Layout .....	1
Conventions Used in this Guide .....	2
Recommended Reading.....	2
The Microchip Web Site .....	3
Customer Support .....	3
Document Revision History .....	3
<b>Chapter 1. Product Overview</b> .....	<b>5</b>
1.1 Introduction .....	5
1.2 What is the MCP1603 Buck Converter Evaluation Board? .....	6
1.3 What the MCP1603 Buck Converter Evaluation Board Kit includes .....	6
<b>Chapter 2. Installation and Operation</b> .....	<b>7</b>
2.1 Introduction .....	7
2.2 Features .....	7
2.3 Getting Started .....	7
<b>Appendix A. Schematic and Layouts</b> .....	<b>9</b>
A.1 Introduction .....	9
A.2 Board - Schematic .....	10
A.3 Board - Top Silk Layer .....	11
A.4 Board - Top Metal Layer .....	12
A.5 Board - Bottom Metal Layer .....	13
<b>Appendix B. Bill Of Materials (BOM)</b> .....	<b>15</b>
<b>Worldwide Sales and Service</b> .....	<b>16</b>

# **MCP1603 Buck Converter Evaluation Board User's Guide**

---

---

NOTES:



# MCP1603 BUCK CONVERTER EVALUATION BOARD USER'S GUIDE

---

---

## Preface

---

---

### NOTICE TO CUSTOMERS

All documentation becomes dated, and this manual is no exception. Microchip tools and documentation are constantly evolving to meet customer needs, so some actual dialogs and/or tool descriptions may differ from those in this document. Please refer to our web site ([www.microchip.com](http://www.microchip.com)) to obtain the latest documentation available.

Documents are identified with a "DS" number. This number is located on the bottom of each page, in front of the page number. The numbering convention for the DS number is "DSXXXXA", where "XXXX" is the document number and "A" is the revision level of the document.

For the most up-to-date information on development tools, see the MPLAB® IDE on-line help. Select the Help menu, and then Topics to open a list of available on-line help files.

## INTRODUCTION

This chapter contains general information that will be useful to know before using the MCP1603 Buck Converter Evaluation Board. Items discussed in this chapter include:

- Document Layout
- Conventions Used in this Guide
- Recommended Reading
- The Microchip Web Site
- Customer Support
- Document Revision History

## DOCUMENT LAYOUT

This document describes how to use the MCP1603 Buck Converter Evaluation Board as a development tool to evaluate the MCP1603. The manual layout is as follows:

- **Chapter 1. "Product Overview"** – Important information about the MCP1603 Buck Converter Evaluation Board.
- **Chapter 2. "Installation and Operation"** – Includes instructions on how to get started with this user's guide and a description of the user's guide.
- **Appendix A. "Schematic and Layouts"** – Shows the schematic and layout diagrams for the MCP1603 Buck Converter Evaluation Board.
- **Appendix B. "Bill Of Materials (BOM)"** – Lists the parts used to build the MCP1603 Buck Converter Evaluation Board.

# MCP1603 Buck Converter Evaluation Board User's Guide

## CONVENTIONS USED IN THIS GUIDE

This manual uses the following documentation conventions:

### DOCUMENTATION CONVENTIONS

Description	Represents	Examples
<b>Arial font:</b>		
Italic characters	Referenced books	<i>MPLAB<sup>®</sup> IDE User's Guide</i>
	Emphasized text	...is the <i>only</i> compiler...
Initial caps	A window	the Output window
	A dialog	the Settings dialog
	A menu selection	select Enable Programmer
Quotes	A field name in a window or dialog	"Save project before build"
Underlined, italic text with right angle bracket	A menu path	<u><i>File&gt;Save</i></u>
Bold characters	A dialog button	Click <b>OK</b>
	A tab	Click the <b>Power</b> tab
N'Rnnnn	A number in verilog format, where N is the total number of digits, R is the radix and n is a digit.	4'b0010, 2'hF1
Text in angle brackets < >	A key on the keyboard	Press <Enter>, <F1>
<b>Courier New font:</b>		
Plain Courier New	Sample source code	#define START
	Filenames	autoexec.bat
	File paths	c:\mcc18\h
	Keywords	_asm, _endasm, static
	Command-line options	-Opa+, -Opa-
	Bit values	0, 1
	Constants	0xFF, 'A'
Italic Courier New	A variable argument	<i>file.o</i> , where <i>file</i> can be any valid filename
Square brackets [ ]	Optional arguments	mcc18 [options] <i>file</i> [options]
Curly brackets and pipe character: {   }	Choice of mutually exclusive arguments; an OR selection	errorlevel {0 1}
Ellipses...	Replaces repeated text	var_name [, var_name...]
	Represents code supplied by user	void main (void) { ... }

## RECOMMENDED READING

This user's guide describes how to use MCP1603 Buck Converter Evaluation Board. Other useful documents are listed below. The following Microchip documents are available and recommended as supplemental reference resources.

### **MCP1603 Data Sheet, "2.0 MHz, 500 mA Synchronous Buck Regulator" (DS22042)**

This data sheet provides detailed information regarding the MCP1603 Buck Regulator product.

## THE MICROCHIP WEB SITE

Microchip provides online support via our web site at [www.microchip.com](http://www.microchip.com). This web site is used as a means to make files and information easily available to customers. Accessible by using your favorite Internet browser, the web site contains the following information:

- **Product Support** – Data sheets and errata, application notes and sample programs, design resources, user's guides and hardware support documents, latest software releases and archived software
- **General Technical Support** – Frequently Asked Questions (FAQs), technical support requests, online discussion groups, Microchip consultant program member listing
- **Business of Microchip** – Product selector and ordering guides, latest Microchip press releases, listing of seminars and events, listings of Microchip sales offices, distributors and factory representatives

## CUSTOMER SUPPORT

Users of Microchip products can receive assistance through several channels:

- Distributor or Representative
- Local Sales Office
- Field Application Engineer (FAE)
- Technical Support

Customers should contact their distributor, representative or field application engineer for support. Local sales offices are also available to help customers. A listing of sales offices and locations is included in the back of this document.

Technical support is available through the web site at: <http://support.microchip.com>

## DOCUMENT REVISION HISTORY

### Revision A (May 2007)

- Initial Release of this Document.

# **MCP1603 Buck Converter Evaluation Board User's Guide**

---

---

NOTES:



## Chapter 1. Product Overview

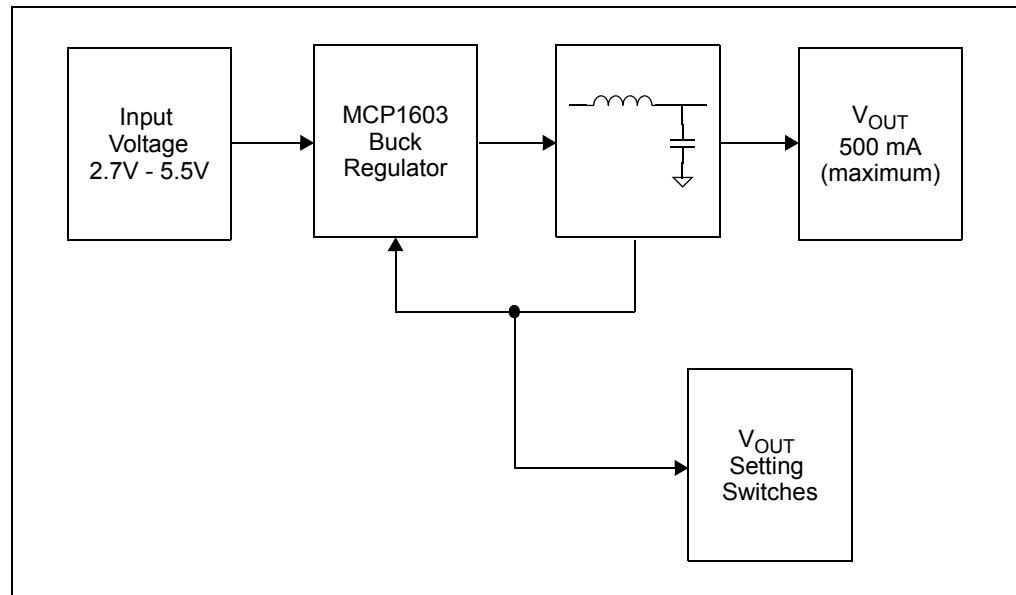
### 1.1 INTRODUCTION

Step-down converter choices include a variety of linear and switching regulators. The MCP1603 500 mA synchronous buck regulator provides a low profile, cost effective, and efficient solution for devices like cellular telephones, USB-powered devices and hand held instruments. The device provides a solution with minimal board space because of the high-frequency operation, which reduces the size requirements of the external inductor and capacitor and the 1 mm maximum height TSOT package.

The MCP1603 switches at a fixed frequency of 2.0 MHz when operating at a heavy load. This provides a low-noise, small size solution. When operating at light loads, the MCP1603 changes operation to a pulse frequency modulation (PFM) mode to minimize quiescent current drawn from the input source. No intervention is necessary for smooth transition from one mode to another.

This chapter covers the following topics.

- "What is the MCP1603 Buck Converter Evaluation Board?"
- "What the MCP1603 Buck Converter Evaluation Board Kit includes."



**FIGURE 1-1:** MCP1603 Buck Converter Evaluation Board Block Diagram.

# **MCP1603 Buck Converter Evaluation Board User's Guide**

---

## **1.2 WHAT IS THE MCP1603 BUCK CONVERTER EVALUATION BOARD?**

The MCP1603 Buck Converter Evaluation Board demonstrates the use of Microchip's MCP1603 device in a step-down application. The evaluation board is a fully functional platform to evaluate the MCP1603 buck regulator over the input voltage, output voltage and current range of the device.

Test points are provided to allow easy connection of the input voltage source and the output load.

## **1.3 WHAT THE MCP1603 BUCK CONVERTER EVALUATION BOARD KIT INCLUDES**

This MCP1603 Buck Converter Evaluation Board kit includes:

- MCP1603 Buck Converter Evaluation Board (102-00133)
- Analog and Interface Products Demonstration Boards CD-ROM (DS21912)
  - MCP1603 Buck Converter Evaluation Board User's Guide (DS51652)

---

---

## Chapter 2. Installation and Operation

---

---

### 2.1 INTRODUCTION

The MCP1603 Buck Converter Evaluation Board is designed to demonstrate Microchip's MCP1603 in an adjustable output voltage configuration. The MCP1603 is a 500 mA synchronous buck regulator that features both Pulse Frequency Modulation (PFM) and Pulse Width Modulation (PWM). The PFM mode is used at light loads to improve system efficiency while the 2.0 MHz PWM mode is entered at heavy loads. The transition between PFM and PWM modes automatically occurs without any external intervention. The MCP1603 is available in both adjustable parts that require an external divider to set the output voltage and fixed output voltage parts.

The high switching speed and TSOT package (1 mm maximum height) make the MCP1603 ideal for space constrained applications that require an efficient stepped down voltage.

### 2.2 FEATURES

The MCP1603 Buck Converter Evaluation Board has the following features:

- Compact size and low profile 500 mA converter design.
- Wide Input voltage range from 2.7V to 5.5V.
- Five different output voltage settings: 0.8V, 1.2V, 1.8V, 2.5V, and 3.3V.
- Test points for connecting input voltage source and external load.

### 2.3 GETTING STARTED

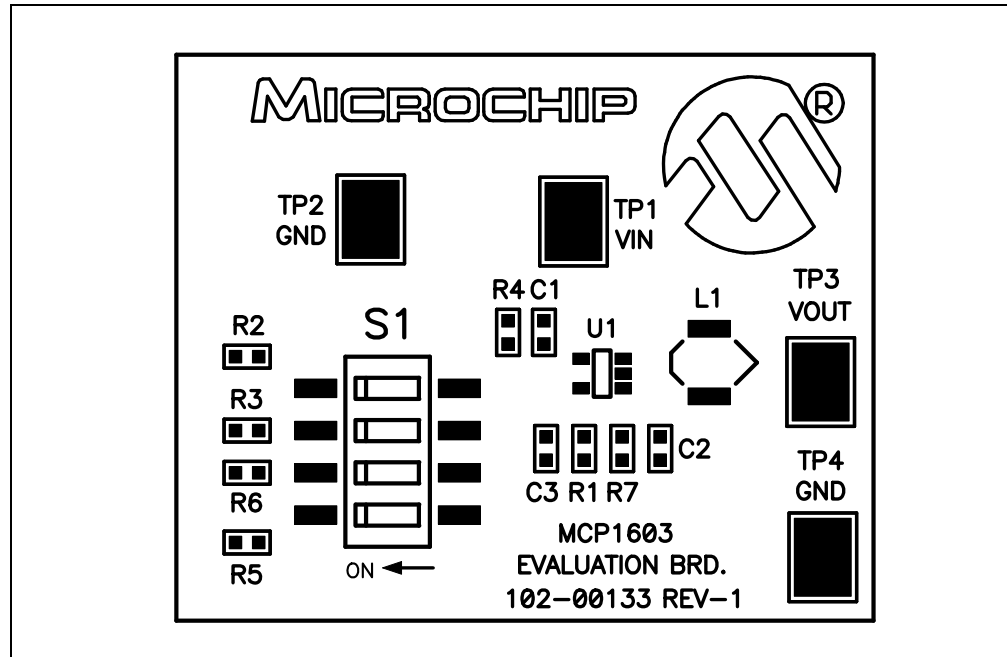
The MCP1603 Buck Converter Evaluation Board is fully assembled and tested for evaluating the MCP1603 device. The board requires the use of an external input voltage source of 2.7V to 5.5V and an external load capable of 500 mA.

#### 2.3.1 Power Input and Output Connection

##### 2.3.1.1 POWERING THE MCP1603 BUCK CONVERTER EVALUATION BOARD

1. Connect the positive side of the input source (+) to TP1 (VIN).
2. Connect the negative or return side (-) of input source to TP2 (GND). Refer to Figure 2-1. The input voltage should be limited from 2.7V to 5.5V range.

# MCP1603 Buck Converter Evaluation Board User's Guide



**FIGURE 2-1:** Setup Configuration Diagram.

## 2.3.1.2 APPLYING LOAD TO MCP1603 BUCK CONVERTER EVALUATION BOARD

1. Connect the positive side of the load (+) to TP3 (VOUT).
2. Connect the negative side of the load (-) to TP4 (GND). Refer to Figure 2-1. The maximum load current should not exceed 500 mA.

As an alternative, a resistor can be connected between TP3 and TP4. The value of this resistor must be sized such that the maximum load current does not exceed 500 mA for the selected output voltage.

## 2.3.1.3 SETTING THE OUTPUT VOLTAGE ON THE MCP1603 BUCK CONVERTER EVALUATION BOARD

The output voltage of the MCP1603 Buck Converter Evaluation Board is set by the position of switch S1 locations. Table 2-1 shows the position of the four S1 switch locations to achieve the five different standard output voltages.

**TABLE 2-1:** SETTING THE OUTPUT VOLTAGE

Output Voltage	S1 - POS1	S1 - POS2	S1 - POS3	S1 - POS4
0.8V	Off	Off	Off	Off
1.2V	Off	Off	Off	On
1.8V	Off	Off	On	Off
2.5V	Off	On	Off	Off
3.3V	On	Off	Off	Off

## Evaluating the Application

The best way to evaluate the MCP1603 Buck Converter Evaluation Board is to dig into the circuit. Measure voltages and currents with a DVM and probe the board with an oscilloscope.



# MCP1603 BUCK CONVERTER EVALUATION BOARD USER'S GUIDE

---

---

## Appendix A. Schematic and Layouts

---

---

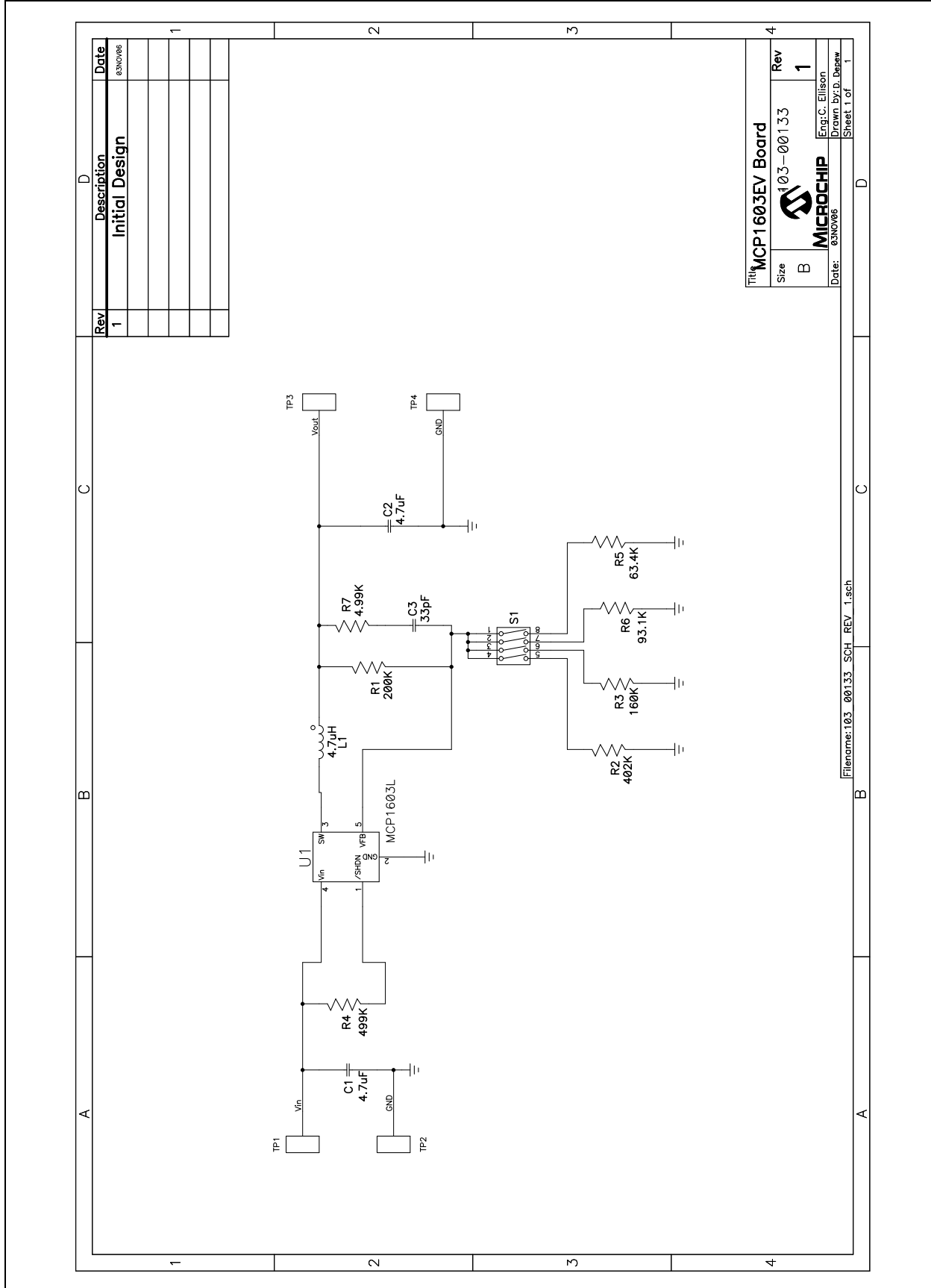
### A.1 INTRODUCTION

This appendix contains the following schematics and layouts for the MCP1603 Buck Converter Evaluation Board:

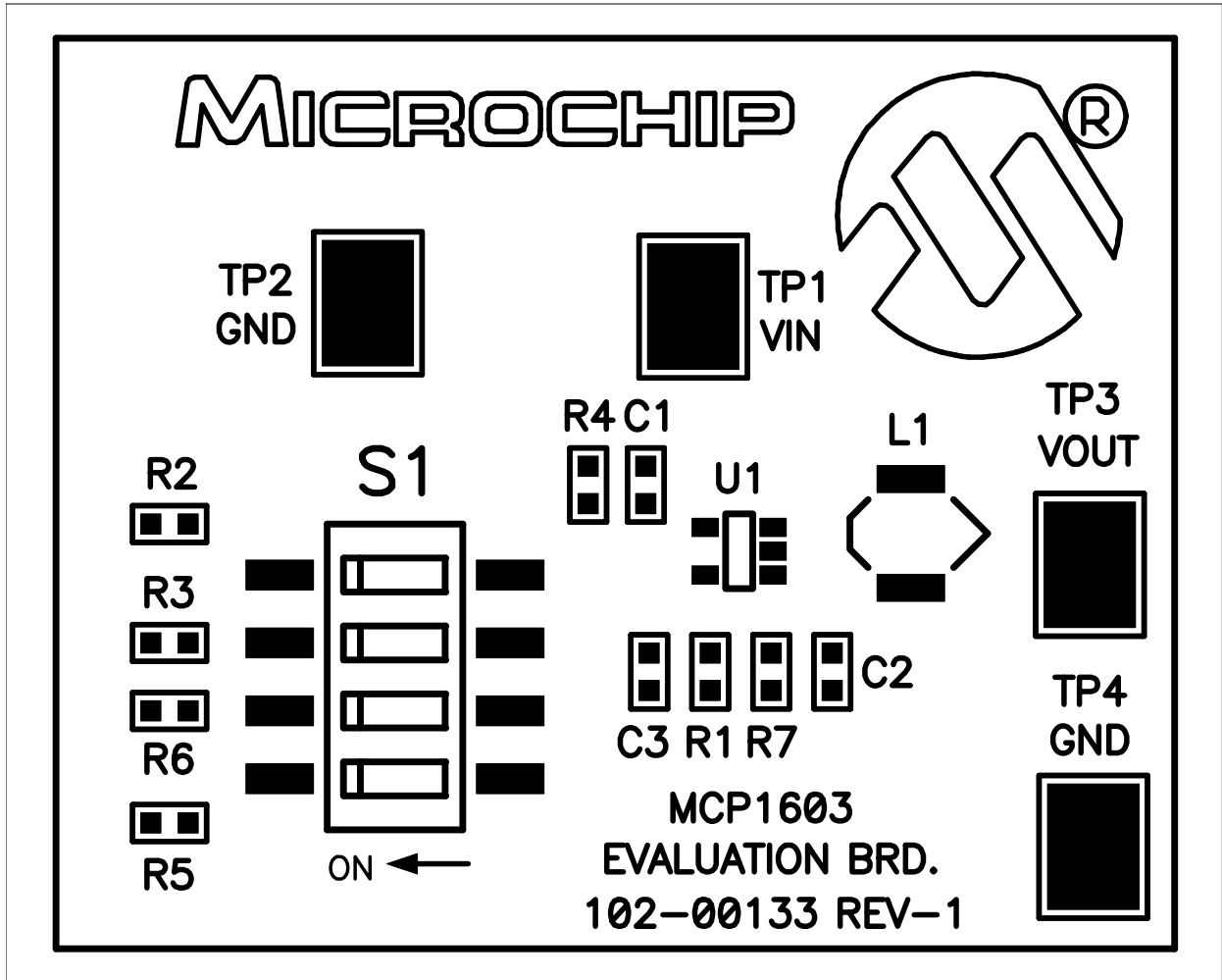
- Board – Schematic
- Board – Top Silk Layer
- Board – Top Metal Layer
- Board – Bottom Metal Layer

# MCP1603 Buck Converter Evaluation Board User's Guide

## A.2 BOARD - SCHEMATIC

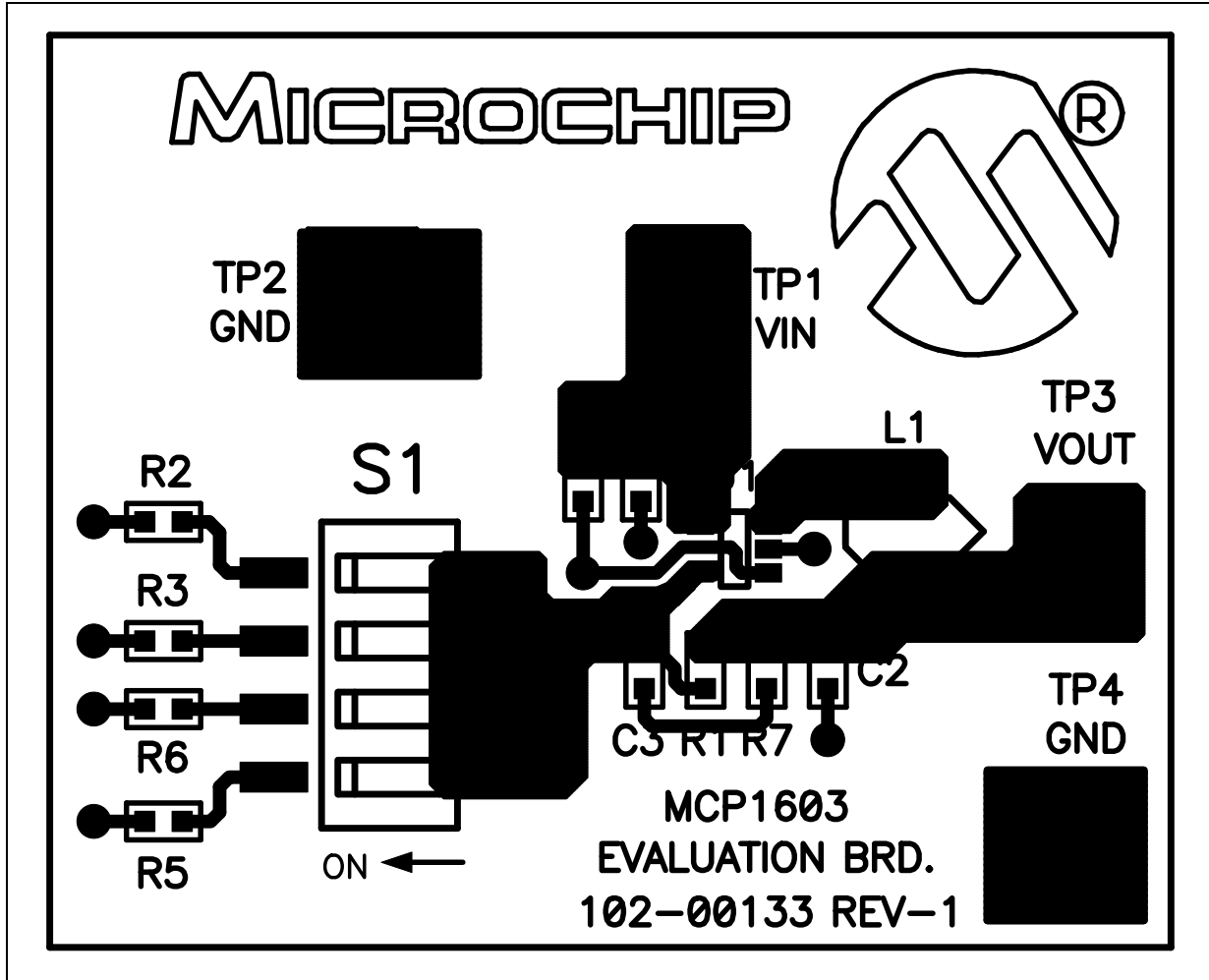


## A.3 BOARD - TOP SILK LAYER



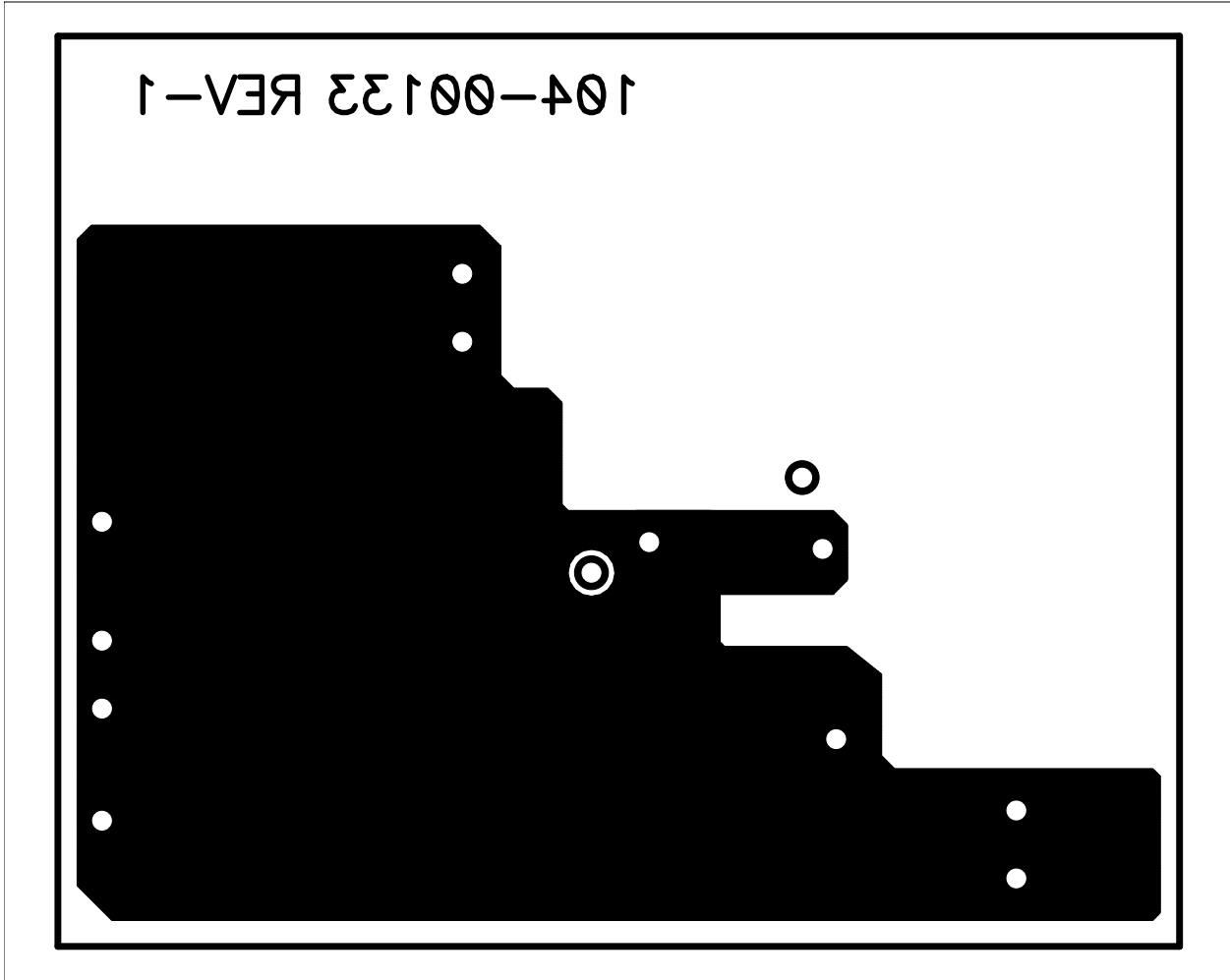
# MCP1603 Buck Converter Evaluation Board User's Guide

## A.4 BOARD - TOP METAL LAYER





## A.5 BOARD - BOTTOM METAL LAYER



# MCP1603 Buck Converter Evaluation Board User's Guide

---

---

NOTES:



# MCP1603 BUCK CONVERTER EVALUATION BOARD USER'S GUIDE

## Appendix B. Bill Of Materials (BOM)

**TABLE B-1: BILL OF MATERIALS (BOM)**

Qty	Reference	Description	Manufacturer	Part Number
2	C1, C2	Cap Ceramic 4.7 $\mu$ F 6.3V X5R 0603	Panasonic <sup>®</sup> - ECG	ECJ-1VB0J475K
1	C3	Cap Ceramic 33 pF 50V 0603	Panasonic - ECG	ECJ-1VC1H330J
1	L1	4.7 $\mu$ H Inductor	Coiltronics	SD3812-4R7-R
1	R1	Res 200 k $\Omega$ 1/10W 1% 0603	Panasonic - ECG	ERJ-3EKF2003V
1	R2	Res 402 k $\Omega$ 1/10W 1% 0603	Panasonic - ECG	ERJ-3EKF4023V
1	R3	Res 160 k $\Omega$ 1/10W 5% 0603	Panasonic - ECG	ERJ-3GEYJ164V
1	R4	Res 499 k $\Omega$ 1/10W 1% 0603	Panasonic - ECG	ERJ-3EKF4993V
1	R5	Res 63.4 k $\Omega$ 1/10W 1% 0603	Panasonic - ECG	ERJ-3EKF6342V
1	R6	Res 93.1 k $\Omega$ 1/10W 1% 0603	Panasonic - ECG	ERJ-3EKF9312V
1	R7	Res 4.99 k $\Omega$ 1/10W 1% 0603	Panasonic - ECG	ERJ-3EKF4991V
1	S1	Switch DIP SPST Sealed 4POS SMD	ITT Industries / C&K Div	SD04H1SK
4	TP1, TP2, TP3, TP4	PC Test Point Compact SMD	Keystone Electronics <sup>®</sup>	5016
1	U1	500 mA Synchronous Buck Regulator	Microchip Technology Inc.	MCP1603L-ADJI/OS

**Note 1:** The components listed in this Bill of Materials are representative of the PCB assembly. The released BOM used in manufacturing uses all RoHS-compliant components.



---

---

## WORLDWIDE SALES AND SERVICE

---

---

### AMERICAS

**Corporate Office**  
2355 West Chandler Blvd.  
Chandler, AZ 85224-6199  
Tel: 480-792-7200  
Fax: 480-792-7277  
Technical Support:  
<http://support.microchip.com>  
Web Address:  
[www.microchip.com](http://www.microchip.com)

**Atlanta**  
Duluth, GA  
Tel: 678-957-9614  
Fax: 678-957-1455

**Boston**  
Westborough, MA  
Tel: 774-760-0087  
Fax: 774-760-0088

**Chicago**  
Itasca, IL  
Tel: 630-285-0071  
Fax: 630-285-0075

**Dallas**  
Addison, TX  
Tel: 972-818-7423  
Fax: 972-818-2924

**Detroit**  
Farmington Hills, MI  
Tel: 248-538-2250  
Fax: 248-538-2260

**Kokomo**  
Kokomo, IN  
Tel: 765-864-8360  
Fax: 765-864-8387

**Los Angeles**  
Mission Viejo, CA  
Tel: 949-462-9523  
Fax: 949-462-9608

**Santa Clara**  
Santa Clara, CA  
Tel: 408-961-6444  
Fax: 408-961-6445

**Toronto**  
Mississauga, Ontario,  
Canada  
Tel: 905-673-0699  
Fax: 905-673-6509

### ASIA/PACIFIC

**Asia Pacific Office**  
Suites 3707-14, 37th Floor  
Tower 6, The Gateway  
Harbour City, Kowloon  
Hong Kong  
Tel: 852-2401-1200  
Fax: 852-2401-3431

**Australia - Sydney**  
Tel: 61-2-9868-6733  
Fax: 61-2-9868-6755

**China - Beijing**  
Tel: 86-10-8528-2100  
Fax: 86-10-8528-2104

**China - Chengdu**  
Tel: 86-28-8665-5511  
Fax: 86-28-8665-7889

**China - Fuzhou**  
Tel: 86-591-8750-3506  
Fax: 86-591-8750-3521

**China - Hong Kong SAR**  
Tel: 852-2401-1200  
Fax: 852-2401-3431

**China - Qingdao**  
Tel: 86-532-8502-7355  
Fax: 86-532-8502-7205

**China - Shanghai**  
Tel: 86-21-5407-5533  
Fax: 86-21-5407-5066

**China - Shenyang**  
Tel: 86-24-2334-2829  
Fax: 86-24-2334-2393

**China - Shenzhen**  
Tel: 86-755-8203-2660  
Fax: 86-755-8203-1760

**China - Shunde**  
Tel: 86-757-2839-5507  
Fax: 86-757-2839-5571

**China - Wuhan**  
Tel: 86-27-5980-5300  
Fax: 86-27-5980-5118

**China - Xian**  
Tel: 86-29-8833-7250  
Fax: 86-29-8833-7256

### ASIA/PACIFIC

**India - Bangalore**  
Tel: 91-80-4182-8400  
Fax: 91-80-4182-8422

**India - New Delhi**  
Tel: 91-11-4160-8631  
Fax: 91-11-4160-8632

**India - Pune**  
Tel: 91-20-2566-1512  
Fax: 91-20-2566-1513

**Japan - Yokohama**  
Tel: 81-45-471- 6166  
Fax: 81-45-471-6122

**Korea - Gumi**  
Tel: 82-54-473-4301  
Fax: 82-54-473-4302

**Korea - Seoul**  
Tel: 82-2-554-7200  
Fax: 82-2-558-5932 or  
82-2-558-5934

**Malaysia - Penang**  
Tel: 60-4-646-8870  
Fax: 60-4-646-5086

**Philippines - Manila**  
Tel: 63-2-634-9065  
Fax: 63-2-634-9069

**Singapore**  
Tel: 65-6334-8870  
Fax: 65-6334-8850

**Taiwan - Hsin Chu**  
Tel: 886-3-572-9526  
Fax: 886-3-572-6459

**Taiwan - Kaohsiung**  
Tel: 886-7-536-4818  
Fax: 886-7-536-4803

**Taiwan - Taipei**  
Tel: 886-2-2500-6610  
Fax: 886-2-2508-0102

**Thailand - Bangkok**  
Tel: 66-2-694-1351  
Fax: 66-2-694-1350

### EUROPE

**Austria - Wels**  
Tel: 43-7242-2244-39  
Fax: 43-7242-2244-393

**Denmark - Copenhagen**  
Tel: 45-4450-2828  
Fax: 45-4485-2829

**France - Paris**  
Tel: 33-1-69-53-63-20  
Fax: 33-1-69-30-90-79

**Germany - Munich**  
Tel: 49-89-627-144-0  
Fax: 49-89-627-144-44

**Italy - Milan**  
Tel: 39-0331-742611  
Fax: 39-0331-466781

**Netherlands - Drunen**  
Tel: 31-416-690399  
Fax: 31-416-690340

**Spain - Madrid**  
Tel: 34-91-708-08-90  
Fax: 34-91-708-08-91

**UK - Wokingham**  
Tel: 44-118-921-5869  
Fax: 44-118-921-5820

12/08/06

## X-ON Electronics

Largest Supplier of Electrical and Electronic Components

*Click to view similar products for [Power Management IC Development Tools](#) category:*

*Click to view products by [Microchip](#) manufacturer:*

Other Similar products are found below :

[EVB-EP5348UI](#) [MIC23451-AAAYFL EV](#) [MIC5281YMME EV](#) [124352-HMC860LP3E](#) [DA9063-EVAL](#) [ADP122-3.3-EVALZ](#) [ADP130-0.8-EVALZ](#) [ADP130-1.8-EVALZ](#) [ADP1740-1.5-EVALZ](#) [ADP1870-0.3-EVALZ](#) [ADP1874-0.3-EVALZ](#) [ADP199CB-EVALZ](#) [ADP2102-1.25-EVALZ](#) [ADP2102-1.875EVALZ](#) [ADP2102-1.8-EVALZ](#) [ADP2102-2-EVALZ](#) [ADP2102-3-EVALZ](#) [ADP2102-4-EVALZ](#) [AS3606-DB](#) [BQ25010EVM](#) [BQ3055EVM](#) [ISLUSBI2CKIT1Z](#) [LP38512TS-1.8EV](#) [EVAL-ADM1186-1MBZ](#) [EVAL-ADM1186-2MBZ](#) [ADP122UJZ-REDYKIT](#) [ADP166Z-REDYKIT](#) [ADP170-1.8-EVALZ](#) [ADP171-EVALZ](#) [ADP1853-EVALZ](#) [ADP1873-0.3-EVALZ](#) [ADP198CP-EVALZ](#) [ADP2102-1.0-EVALZ](#) [ADP2102-1-EVALZ](#) [ADP2107-1.8-EVALZ](#) [ADP5020CP-EVALZ](#) [CC-ACC-DBMX-51](#) [ATPL230A-EK](#) [MIC23250-S4YMT EV](#) [MIC26603YJL EV](#) [MIC33050-SYHL EV](#) [TPS60100EVM-131](#) [TPS65010EVM-230](#) [TPS71933-28EVM-213](#) [TPS72728YFFEVM-407](#) [TPS79318YEQEVM](#) [UCC28810EVM-002](#) [XILINXPWR-083](#) [LMR22007YMINI-EVM](#) [LP38501ATJ-EV](#)