

## Inductive Sensor Analog Front End Device

### Features:

- Complete Inductance Measurement System:
  - Low-Impedance Current Driver
  - Sensor/Reference Coil Multiplexer
  - High-Frequency Detector
- Operating Voltage: 2.7 to 5.5V
- Low-Power Standby Mode
- Gain and Frequency set by external passive components

### Typical Applications:

- Harsh environment inductive keyboards
- Inductive rotational sensor interface
- Inductive displacement sensor interface
- Inductive force sensor interface

### Description:

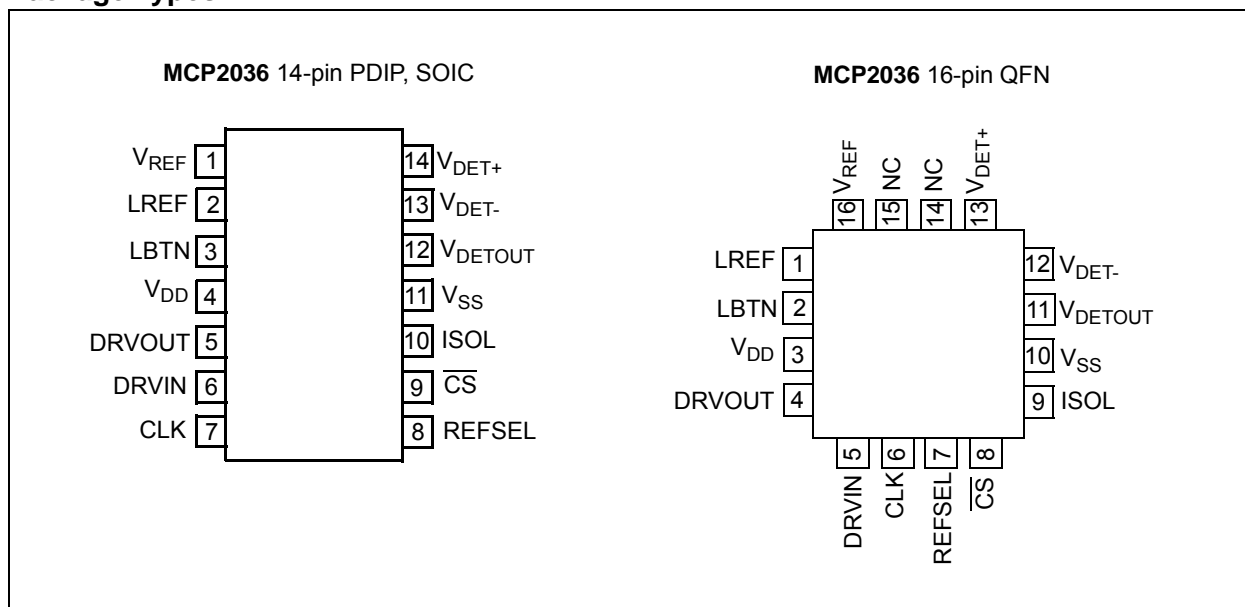
The MCP2036 Inductive Sensor Analog Front End (AFE) combines all the necessary analog functions for a complete inductance measurement system.

The device includes:

- High-frequency, current-mode coil driver for exciting the sensor coil.
- Synchronous detector for converting AC sense voltages into DC levels.
- Output amplifier/filter to improve resolution and limit noise.
- Virtual ground reference generator for single supply operation.

The device is available in 14-pin PDIP, SOIC and 16-pin QFN packages:

### Package Types

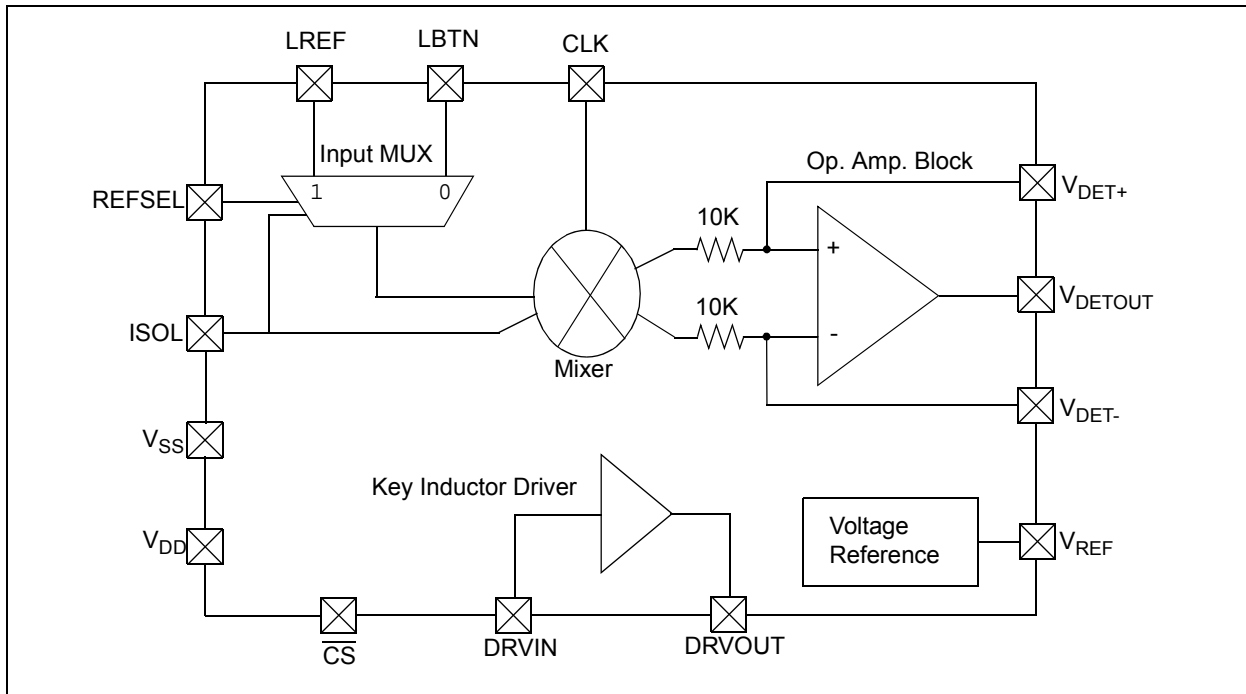


# MCP2036

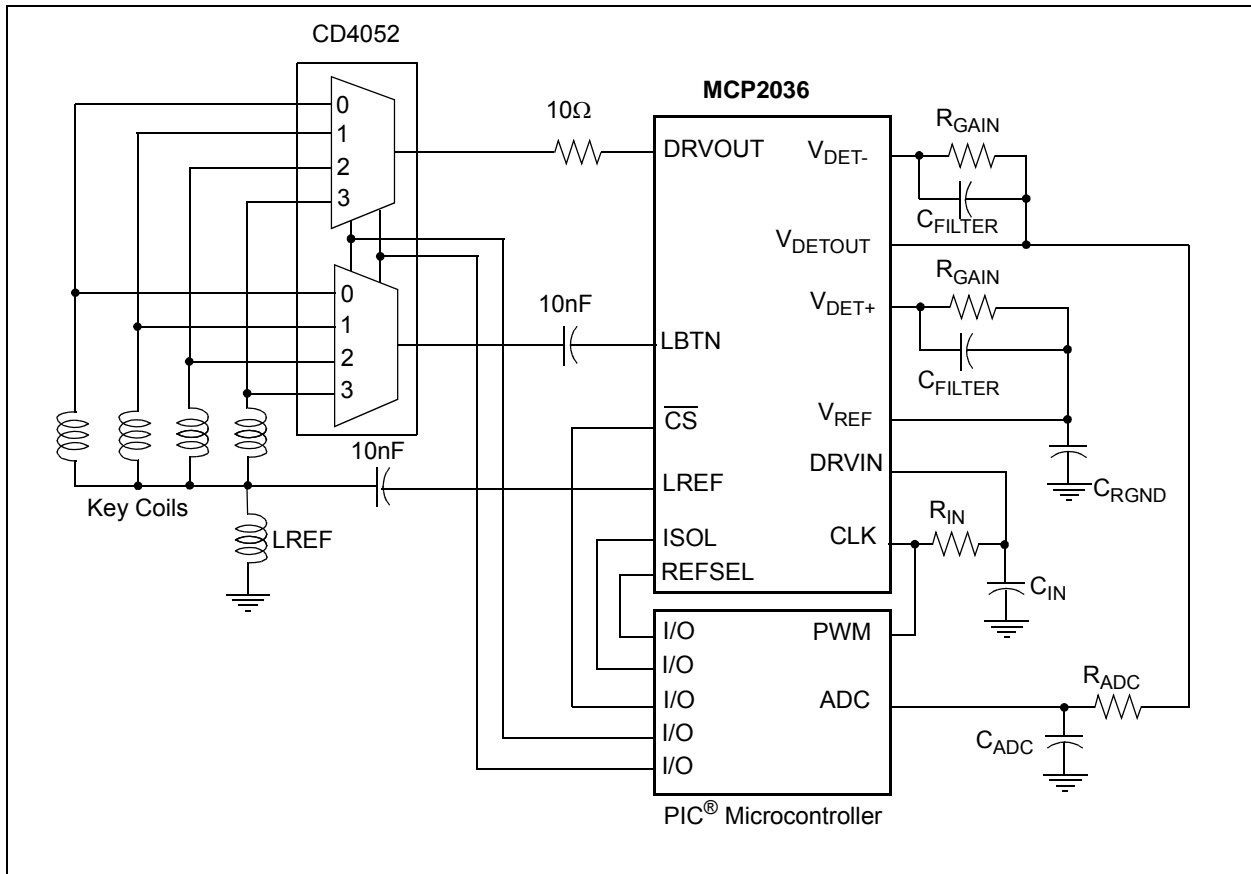
## 1.0 FUNCTIONAL DESCRIPTION

The MCP2036 measures a sensor coil's impedance by exciting the coil with a pulsed DC current and measuring the amplitude of the resulting AC voltage waveform. The drive current is generated by the on-chip current amplifier/driver which takes the high-frequency triangular waveform present on the DRVIN input, and amplifies it into the pulsed DC current for exciting the series combination of the sensor coils.

The AC voltages generated across the coils, are then capacitively coupled into the LBTN and LREF inputs. An input resistance of 2K between the inputs and the virtual ground offsets the AC input voltages up to the signal ground generated by the reference voltage generator, as shown in [Figure 1-1](#).



**FIGURE 1-1:** MCP2036 Block Diagram



**FIGURE 1-2:** MCP2036 Typical Application

The coil voltages are then multiplexed into the Synchronous Detector section by the LBTN/LREF multiplexer. This allows the microcontroller to select which signal is sampled by the detector. The detector converts the coil voltages into a DC level using a frequency mixer, amplifier, and filter.

The mixer is composed of two switches driven by the clock present on the CLK signal input. The switches toggle the amplifier/filter between an inverting and non-inverting topology, at a rate equal to the clock input frequency. This inverts and amplifies the negative side of the signal, while amplifying the positive side. The result is a pulsed DC signal with a peak voltage, proportional to the amplitude of the AC coil voltage.

The gain of the detector is set by two pairs of resistors; one pair are the internal fixed series resistors between the frequency mixer and the amplifier. The second resistor pair are the two external gain set resistors ( $R_{GAIN}$ ). The two capacitors ( $C_{FILTER}$ ) in parallel with the external gain setting resistors form a low pass filter which converts the pulsed DC output signal into a smooth DC voltage which is proportional to the AC sensor voltage input. The output of the system is present on the  $V_{DETOUT}$  pin, which drives the microcontroller's ADC input for conversion into a digital value.

The virtual ground reference for the detector/amplifier is generated by a second internal op amp which produces a virtual ground equal to  $\frac{1}{2}$  the supply voltage. The virtual ground is available externally at the  $V_{REF}$  output and used internally throughout the detector circuit, allowing single supply operation. A small external capacitance is required to stabilize this output and limit noise.

The ISOL input is used to isolate the detector from potential noise sources during the measurement of the virtual ground reference during a button measurement.

# MCP2036

## 1.1 Coil Driver

The coil driver produces the excitation current for the sensor coils.

The coil driver input is derived from the digital clock supplied to the CLK input. The digital signal is first filtered through a low-pass filter, composed of  $R_{IN}$  and  $C_{IN}$ , and passed to the DRVIN input. The driver will create a triangular current in phase and proportional with the input voltage. Because the digital drive into the  $R_{IN}$ - $C_{IN}$  filter has a 50% duty cycle, the voltage on the DRVIN input will be centered at  $V_{DD}/2$ . The relationship between voltage, current, inductance and frequency is shown in Equation 1-1.

### EQUATION 1-1:

$$\Delta V_{OUT} = (\Delta I_{DRV} \cdot L_{COIL} \cdot 2 \cdot F_{DRV})$$

$V_{OUT}$  = Pulsed Output Voltage

$\Delta I_{DRV}$  = AC Drive Current Amplitude

$F_{DRV}$  = AC Drive Current Frequency

$L_{COIL}$  = Inductance of the Sensor Coil

**Note:** These equations assume a 50% duty cycle.

## 1.2 Synchronous Detector and Output Amplifier

The Synchronous Detector has two inputs, LREF and LBTN, selectable by REFSEL. This routes either signal into the frequency mixer of the detector. The frequency mixer then converts the AC waveform into a pulsed DC signal which is amplified and filtered.

The gain of the amplifier is user-settable, using an external resistor,  $R_{GAIN}$  (see Equation 1-2).

### EQUATION 1-2:

$$Gain \sim R_{GAIN} / 10k\Omega$$

An ADC plus firmware algorithm then digitizes the detector output voltage and uses the resulting data to detect a key press event.

**Note:** The output amplifier/filter uses a differential connection, so its output is centered to  $V_{REF}$  ( $V_{DD}/2$ ). The amplitude of the detected signal should be calculated as the difference between voltages at the output of the detector and the reference voltage.

## 1.3 Virtual Ground Voltage Reference Circuit

To create both an inverting and non-inverting amplifier topology, a pseudo split supply design is required. To generate the dual supplies required, a rail splitter is included, which generates the virtual ground by creating a voltage output at  $V_{DD}/2$ . The output is used by the external passive network of the Detector/Amplifier section as a reference on the non-inverting input. A bypass capacitor of 0.1  $\mu$ F is required to ensure the stability of the output. For reference accuracy, no more than 3 mA should be supplied to, or drawn from the reference output pin.

## 2.0 PIN DESCRIPTION

Descriptions of the pins are listed in [Table 2-1](#).

**TABLE 2-1: PIN FUNCTION TABLE**

Pad Name	Pin Number		I/O	Type	Description
	14 Pins	16 Pins			
V <sub>REF</sub>	1	16	OUT	AN	Voltage Reference
LREF	2	1	IN	AN	Reference Inductor Input
LBTN	3	2	IN	AN	Active Inductor Input
V <sub>DD</sub>	4	3	PWR	AN	Power Supply
DRVOUT	5	4	OUT	AN	Current Driver Output for Inductors
DRVIN	6	5	IN	AN	Current Driver Input
CLK	7	6	IN	CMOS	Clock Signal
REFSEL	8	7	IN	CMOS	Detector Select Input
$\overline{\text{CS}}$	9	8	IN	CMOS	Chip Select, Active low
ISOL	10	9	IN	CMOS	Detector Isolation Control Input, high = isolate
V <sub>SS</sub>	11	10	PWR	AN	Power Supply Return
V <sub>DETOU</sub>	12	11	OUT	AN	Detector Output Voltage
V <sub>DET-</sub>	13	12	IN	AN	Negative Input for Output Detector
V <sub>DET+</sub>	14	13	IN	AN	Positive Input for Output Detector
NC		14	—	—	No connect
NC		15	—	—	No connect

### 2.1 Chip Select ( $\overline{\text{CS}}$ )

The circuit is fully enabled when a logic-low is applied to the  $\overline{\text{CS}}$  input. The circuit enters in Low-Power mode when a logic-high is applied to this input. During Low-Power mode, the detector output voltage falls to V<sub>REF</sub> and the supply current is reduced to 0.5  $\mu\text{A}$  (typ.).

This pin has an internal pull-up resistor to ensure proper selection of the circuit.

### 2.2 Voltage Reference (V<sub>REF</sub>)

V<sub>REF</sub> is a mid-scale reference output. It can source and sink small currents and has low output impedance. A load capacitor between 100 nF and 1  $\mu\text{F}$  needs to be located close to this pin.

### 2.3 Power Supply (V<sub>DD</sub>, V<sub>SS</sub>)

The V<sub>DD</sub> pin is the power supply pin for the analog and digital circuitry within the MCP2036. This pin requires an appropriate bypass capacitor of 100 nF. The voltage on this pin should be maintained in the 2.7V-5.5V range for specified operation.

The V<sub>SS</sub> pin is the ground pin and the current return path for both analog and digital circuitry of the MCP2036. If an analog ground plane is available, it is recommended that this device be tied to the analog ground plane of the PCB.

### 2.4 Inductor Inputs (LREF, LBTN)

These pins are inputs for the external coils (reference and sensor). The inputs should be AC coupled to the coils by a 10 nF ceramic capacitor.

### 2.5 Input Selection (REFSEL)

Digital input that is used to select between coil inputs (reference and sensor).

### 2.6 Detector Isolate (ISOL)

Digital input that is used to isolate the detector circuit while measuring the system virtual ground. Pulling the input high disables the detector input multiplexers, isolating the op amp circuitry from the coils inputs. Pulling the input low reconnects the inputs for measuring both reference and button coil inputs.

### 2.7 Clock (CLK)

The external clock input is used for synchronous detection of the AC waveforms on the coils. The clock signal is also used to generate a triangular waveform applied to coil driver input.

# MCP2036

---

## 2.8 Inductor Driver Input (DRVIN)

The analog input to the coil driver. The triangular waveform applied to this input should be in phase with the clock signal for best performance.

## 2.9 Inductor Driver Output (DRVOUT)

Driver output used to excite the sensor coils. It is a current-mode output designed to drive small inductive loads.

## 2.10 Detector Output Voltage ( $V_{DETOUT}$ )

The amplifier/filter output from the detector. This is a low-impedance analog output pin ( $V_{OUT}$ ) for driving the microcontroller ADC. The detector output is rail-to-rail.

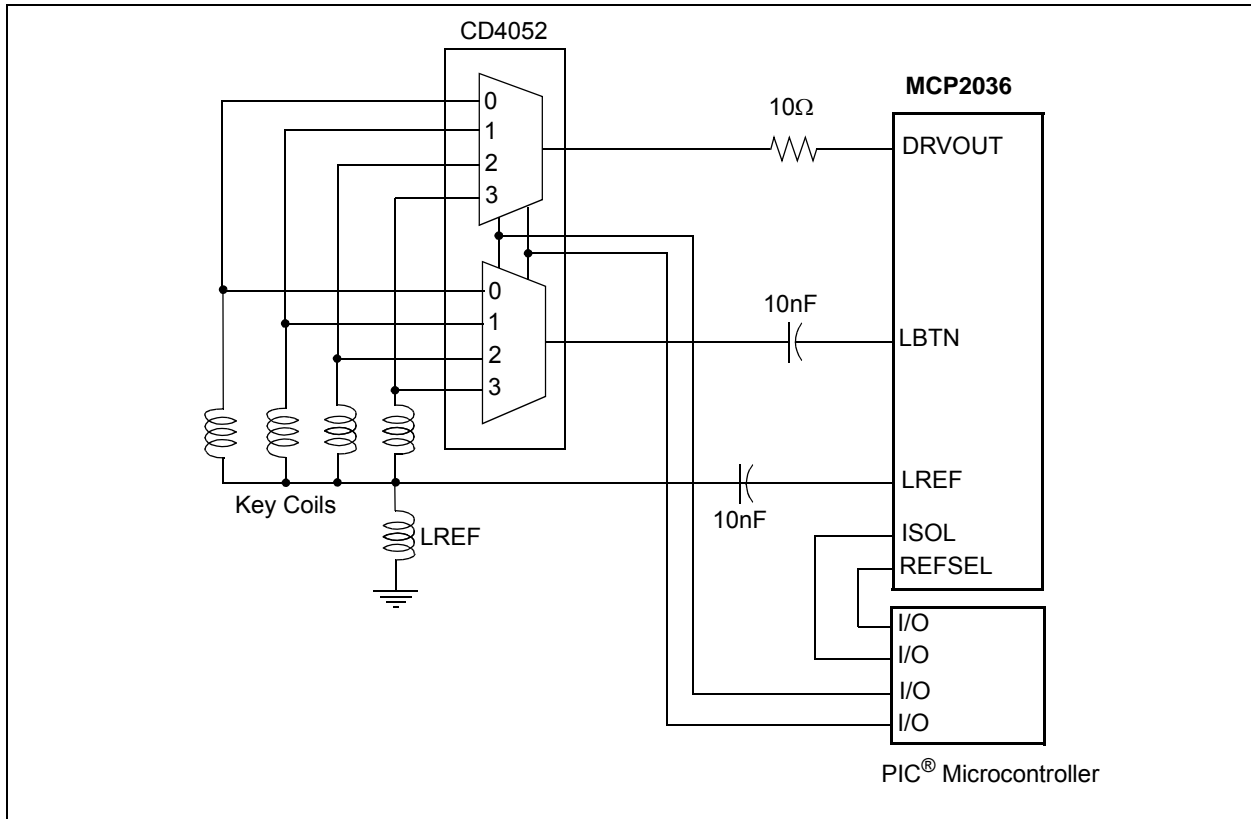
## 2.11 Inputs for Output Detector ( $V_{DET+}$ , $V_{DET-}$ )

The non-inverting and inverting inputs for the amplifier/filter op amp. The two inputs are connected to the output of the mixer circuit through two internal  $10K\Omega$  resistors.

## 3.0 APPLICATIONS

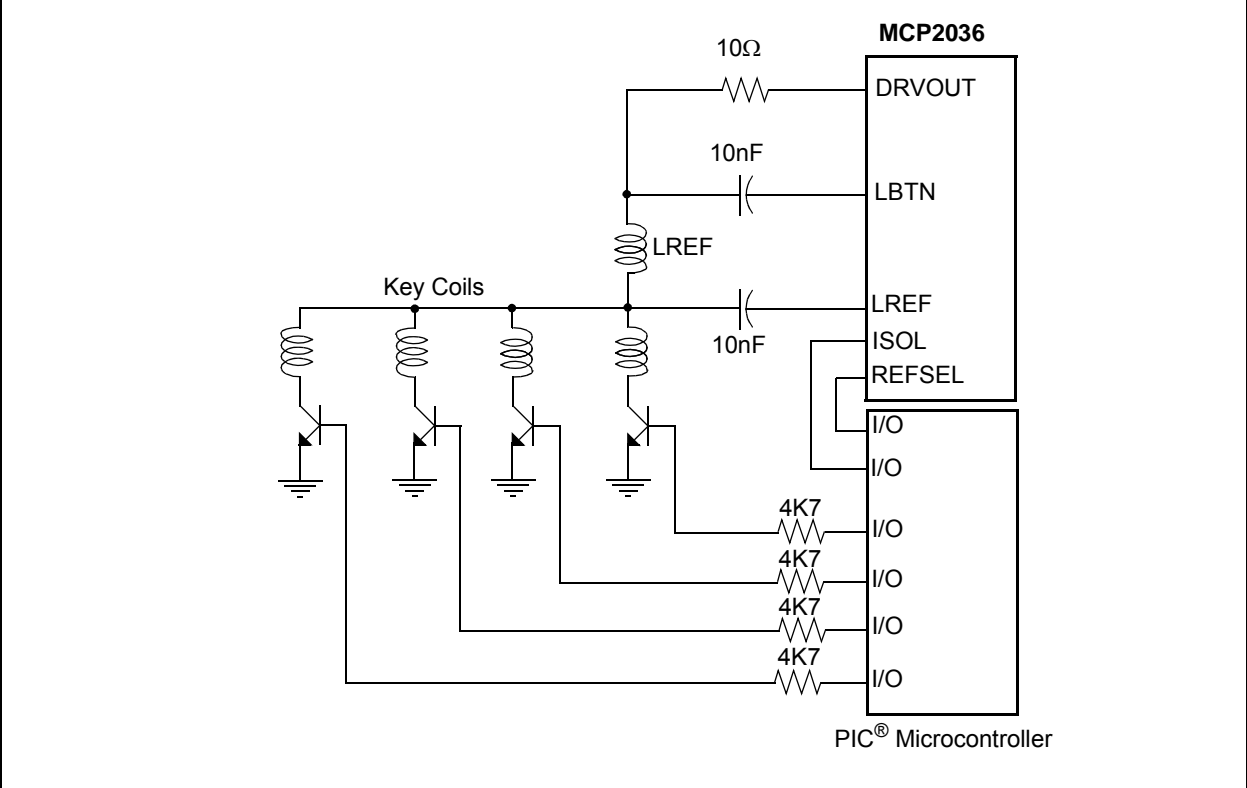
The MCP2036 is an Analog Front End device that uses the electromagnetic interaction between a conductive target and a sensing coil to detect the pressure applied by the user on the surface of a touch panel. The device incorporates all analog blocks for a simple inductor impedance measurement circuit.

For an inductive touch system, two methods are used for switching the driver and measurement circuitry between the different sensor coils: analog multiplexers and GPIO grounding (see [Figure 3-1](#) and [Figure 3-2](#)). The MCP2036 is designed to work with both configurations:



**FIGURE 3-1:** Using Analog-Multiplexer for Key Selection (Example)

# MCP2036

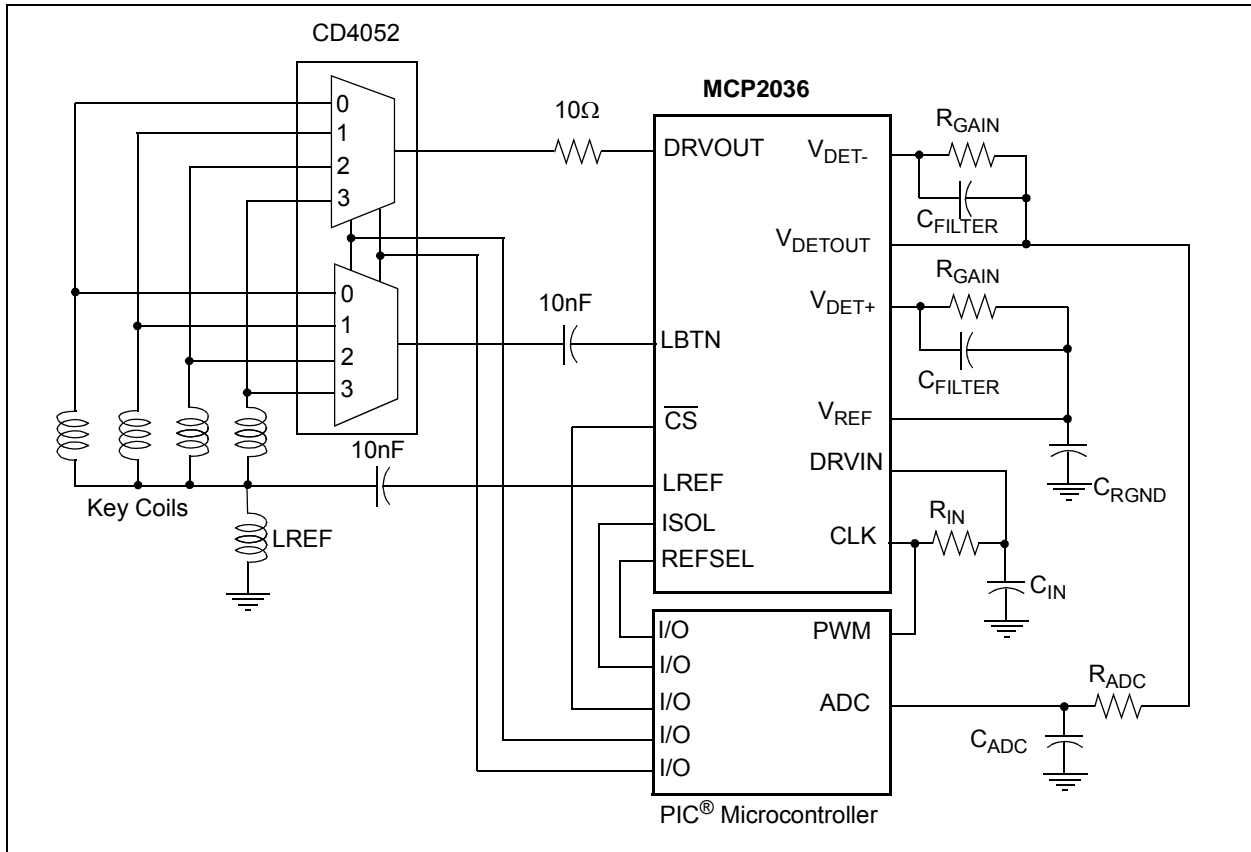


**FIGURE 3-2:** Using NPN transistors for Key Selection (Example)



## 3.1 Application example

Figure 3-3 shows an example for a 4-key Inductive Touch keyboard with key controlled by the IO pins of the PIC® MCU.



**FIGURE 3-3:** MCP2036 Typical Application

The PIC® microcontroller is used to generate a square wave signal and to do all the necessary operations for proper detection of the key press event.

Then,  $R_{IN}$ - $C_{IN}$  filter converts the square wave output of the PWM into a quasi-triangular waveform.

To calculate the amplitude of the triangular signal, the standard charging time equation for an RC network will be used, as shown in Equation 3-1:

**EQUATION 3-1:**

$$V(t) = V_{step} \cdot [1 - \exp(-t/RC)]$$

For the first half of the square wave, the capacitor  $C_{IN}$  is charged through  $R_{IN}$ , for the second half, it is discharged through  $R_{IN}$ , and assuming that clock signal has a 50% duty cycle factor, we can consider:

**EQUATION 3-2:**

$$V_{start} = V_{DD}/2 - \Delta V$$

$$V_{stop} = V_{DD}/2 + \Delta V$$

When the PWM signal switches from low-to-high or from high-to-low, the step voltage applied to the capacitor  $C_{IN}$  will be:

**EQUATION 3-3:**

$$V_{step} = (V_{DD}/2 + \Delta V)$$

# MCP2036

Substituting in the equation for an RC network:

## EQUATION 3-4:

$$2\Delta V = (V_{DD}/2 + \Delta V) \cdot [1 - \exp(-t/RC)]$$

$$\Delta V = \frac{V_{DD}}{2} \cdot \frac{1 - \exp\left(\frac{-t}{R_{IN}C_{IN}}\right)}{1 + \exp\left(\frac{-t}{R_{IN}C_{IN}}\right)}$$

The peak-to-peak amplitude of the resulting triangular waveform, at the coil driver input, is shown in [Equation 3-5](#):

## EQUATION 3-5:

$$V_{PKPK} = 2\Delta V$$

$$V_{PKPK} = V_{DD} \cdot \frac{1 - \exp\left(\frac{-t}{R_{IN}C_{IN}}\right)}{1 + \exp\left(\frac{-t}{R_{IN}C_{IN}}\right)}$$

**Note:**  $V_{PKPK}$  should not exceed specified value (600mV) for best performance.

From the previous equation, the designer should choose values for  $V_{PKPK}$  and  $R_{IN}$ . Using the equation above, the value of  $C_{IN}$  will be:

## EQUATION 3-6:

$$C_{IN} = \frac{t}{R_{IN} \cdot \ln\left(\frac{V_{DD} - V_{PKPK}}{V_{DD} + V_{PKPK}}\right)} = \frac{1}{2 \cdot F \cdot R_{IN} \cdot \ln\left(\frac{V_{DD} - V_{PKPK}}{V_{DD} + V_{PKPK}}\right)}$$

**Note:** Assuming a power supply of 5V and  $V_{PKPK}=500\text{mV}$ , for  $R_{IN}=3.9\text{K}\Omega$ ,  $C_{IN}$  should have about 320pF. A 330pF capacitor will be used.

The amplitude of the pulsed current applied to key inductors will be:

## EQUATION 3-7:

$$\Delta I = V_{PKPK} \cdot G_{DRV}$$

$G_{DRV}$  - Gain of Coil Driver

This current produces a pulsed voltage to key inductors ends. The amplitude of this voltage will be:

## EQUATION 3-8:

$$\Delta U = L \cdot \frac{\Delta I}{\Delta t} = L \cdot V_{PKPK} \cdot G_{DRV} \cdot 2F$$

$F$  - PWM Frequency  
 $L$  - Inductance of Key Inductor

**Note:** For a PWM frequency of 2 MHz and inductor value of 2.7μH, the amplitude of pulsed voltage will be:  
 $\Delta U = 10.8\text{mV}$

The total voltage across both the reference and sensor coils would be double (two series inductors). For a specific power supply voltage, half of this power supply, relative to the voltage reference, is available for output amplifier/detector. Assuming a 30% margin, the desired gain for the detector should be about:

## EQUATION 3-9:

$$\text{Gain} = \frac{70\% \cdot \left(\frac{V_{DD}}{2}\right)}{2 \cdot \Delta U}$$

The gain of the amplifier is user-settable, using an external resistor,  $R_{GAIN}$ . The value of that resistor will be determined using the following equation:

## EQUATION 3-10:

$$\text{Gain} \sim R_{GAIN}/10\text{kOhm}$$

With a 10-bit ADC, using oversampling and averaging techniques, the effective resolution is close to 11 bits. As shown in AN1239, "Inductive Touch Sensor Design", the typical shift in sensor impedance is typically 3-4%, so the actual number of counts per press is typically between 20 and 40 counts. In this way, the microcontroller firmware could easily detect press event.

**Note:** For a power supply of 5V and  $\Delta U = 10\text{mV}$ , the resulted gain is 81. To obtain this gain,  $R_{GAIN} = 820\text{kOhm}$  should be used.

## 4.0 ELECTRICAL CHARACTERISTICS

### 4.1 Absolute Maximum Ratings

Ambient temperature under bias.....	-40°C to +125°C
Storage temperature.....	-65°C to +150°C
Voltage on V <sub>DD</sub> with respect to V <sub>SS</sub> .....	-0.3V to +6.5V
Analog Inputs (V <sub>DET+</sub> , V <sub>DET-</sub> ).....	V <sub>SS</sub> -1.0V to V <sub>DD</sub> +1.0V
Voltage on all other pins with respect to V <sub>SS</sub> .....	-0.3V to (V <sub>DD</sub> + 0.3V)
Current at Output and Supply Pins.....	±30 mA
Human Body ESD Rating.....	2000 V
Machine Model ESD Rating .....	200 V
Maximum Junction Temperature .....	+150°C

### 4.2 Specifications

**TABLE 4-1: DC CHARACTERISTICS**

Electrical Specifications: Unless otherwise indicated, T <sub>A</sub> = +25°C, V <sub>DD</sub> = +2.7V to +5.5V, V <sub>SS</sub> = GND.						
Parameters	Sym.	Min.	Typ.	Max.	Units	Conditions
<b>General Device Parameters</b>						
Supply Voltage	V <sub>DD</sub>	2.7	—	5.5	V	
Power-Down Current	I <sub>PD</sub>	—	12	—	nA	$\overline{CS} = 1, V_{DD} = +2.7V, \text{(Note 1)}$
	I <sub>PD</sub>	—	25	—	nA	$\overline{CS} = 1, V_{DD} = +5.5V, \text{(Note 1)}$
Quiescent Current	I <sub>DD</sub>	—	2	—	mA	V <sub>DD</sub> = +2.7V, DRVIN = 0V, CLK = Low
	I <sub>DD</sub>	—	3.7	—	mA	V <sub>DD</sub> = +5.5V, DRVIN = 0V, CLK = Low
Active Current	I <sub>DD</sub>	—	3.4	—	mA	V <sub>DD</sub> = +2.7V, CLK = 2 MHz
	I <sub>DD</sub>	—	6.8	—	mA	V <sub>DD</sub> = +5.5V, CLK = 2 MHz
<b>Digital IO Parameters</b>						
Digital Input High Voltage	V <sub>IH</sub>	0.7V <sub>DD</sub>	—	—	V	
Digital Input Low Voltage	V <sub>IL</sub>	—	—	0.3V <sub>DD</sub>	V	
Input Pins Leakage Current	I <sub>LKG</sub>	—	—	±100	nA	$\overline{CS}, CLK, REFSEL, LREF, LBTN$
<b>Output Amplifier/Filter Specific Parameters</b>						
<b>System Parameters</b>						
DC Open Loop Gain	A <sub>OL</sub>	90	110	—	dB	
Power Supply Rejection Ratio	PSRR	—	86	—	dB	
Common Mode Rejection Ratio	CMMR	60	76	—	dB	
<b>Amplifier Input Characteristics</b>						
Input Offset Voltage	V <sub>OS</sub>	—	—	±7	mV	
Input Bias Current	I <sub>B</sub>	—	—	±20	pA	<b>(Note 1)</b>
	—	—	—	±1	nA	<b>(Note 1)</b>
Input Offset Current	I <sub>OS</sub>	—	—	±1	pA	<b>(Note 1)</b>
Input Impedance	Z <sub>IN</sub>	—	10 <sup>13</sup>   6	—	Ω  pF	Common mode impedance
	—	—	10 <sup>13</sup>   6	—	Ω  pF	Differential impedance
<b>Amplifier Output Characteristics</b>						
Minimum Output Voltage	V <sub>OMIN</sub>	V <sub>SS</sub> +20	—	—	mV	
Maximum Output Voltage	V <sub>OMAX</sub>	—	—	V <sub>DD</sub> -20	mV	

# MCP2036

**TABLE 4-1: DC CHARACTERISTICS (CONTINUED)**

<b>Electrical Specifications:</b> Unless otherwise indicated, $T_A = +25^\circ\text{C}$ , $V_{DD} = +2.7\text{V}$ to $+5.5\text{V}$ , $V_{SS} = \text{GND}$ .						
Parameters	Sym.	Min.	Typ.	Max.	Units	Conditions
Short Circuit Current	$I_{SC}$	—	$\pm 6$	—	mA	$V_{DETOUT}$ , $V_{DD} = 3\text{V}$
	—	—	$\pm 10$	—	mA	$V_{DETOUT}$ , $V_{DD} = 5\text{V}$
<b>Voltage Reference Specific Parameters</b>						
Output Voltage	$V_{REF}$	—	$V_{DD}/2$	—	mV	
Output Short Circuit Current	$I_{SC}$	—	6	—	mA	$V_{DD} = 3\text{V}$
	—	—	10	—	mA	$V_{DD} = 5\text{V}$
Maximum Output Capacitance	$C_{OUT}$	—	—	1	$\mu\text{F}$	<b>(Note 1)</b>
Series Output Resistance	$R_{SER}$	—	250	—	$\Omega$	Internal resistor used to stabilize op amp output for pure capacitive loads
<b>Coil Driver Specific Parameters</b>						
<b>System Parameters</b>						
Amplifier Current Gain	$A_{OL}$	—	3	—	mA/V	$V_{DD} = +2.7\text{V}$
	$A_{OL}$	—	3.6	—	mA/V	$V_{DD} = +5.5\text{V}$
Power Supply Rejection Ratio	PSRR	60	—	—	dB	
<b>Input Characteristics</b>						
Input Voltage Range	$V_{MAX}$	$V_{DD}/2$ -300	—	$V_{DD}/2$ +300	mV	$V_{DD} = 5\text{V}$
Input Bias/Leakage Current	$I_B$	—	—	$\pm 20$	pA	$T = 85^\circ\text{C}$ <b>(Note 1)</b>
	$I_B$	—	—	$\pm 1$	nA	$T = 125^\circ\text{C}$ <b>(Note 1)</b>
Input Impedance	$Z_{IN}$	—	$10^{13}  6$	—	$\Omega  \mu\text{F}$	Common mode impedance
	—	—	$10^{13}  6$	—	$\Omega  \mu\text{F}$	Differential impedance
<b>Output Characteristics</b>						
Minimum Output Voltage	$V_{OMIN}$	$V_{SS}+20$			mV	
Maximum Output Voltage	$V_{OMAX}$	—	—	$V_{DD}-20$	mV	
Short Circuit Current	$I_{SC}$	—	$\pm 6$	—	mA	DRVOUT, $V_{DD} = 3\text{V}$
	$I_{SC}$	—	$\pm 10$	—	mA	DRVOUT, $V_{DD} = 5\text{V}$
<b>Resistor Specifications</b>						
Resistance Value of R1	R1	—	8	—	$\text{K}\Omega$	Resistor between pass gates and output amplifier input
Resistance Value of R2	R2	—	2	—	$\text{K}\Omega$	Resistor between LBTN and LREF inputs and voltage reference

**TABLE 4-2: AC CHARACTERISTICS**

<b>Electrical Characteristics:</b> Unless otherwise indicated, $V_{DD} = +2.7\text{V}$ to $+5.5\text{V}$ , and $V_{SS} = \text{GND}$ .						
Parameters	Sym.	Min.	Typ.	Max.	Units	Conditions
<b>Output Amplifier/Filter Specific Parameters</b>						
Gain Bandwidth Product	GBWP	—	1	—	MHz	
Slew Rate	SR	—	0.6	—	$\text{V}/\mu\text{s}$	
<b>Coil Driver Amplifier Parameters</b>						
Gain Bandwidth Product	GBWP	—	17.8	—	MHz	
<b>Voltage Reference Specific Parameters</b>						
Gain Bandwidth Product	GBWP	—	1	—	MHz	
Slew Rate	SR	—	0.6	—	$\text{V}/\mu\text{s}$	

**TABLE 4-3: TEMPERATURE SPECIFICATIONS**

Electrical Characteristics: Unless otherwise indicated, $V_{DD} = +2.7V$ to $+5.5V$ , and $V_{SS} = GND$ .						
Parameters	Sym.	Min.	Typ.	Max.	Units	Conditions
<b>Temperature Ranges</b>						
Industrial Temperature Range	$T_A$	-40	—	+85	°C	
Extended Temperature Range	$T_A$	-40	—	+125	°C	
Operating Temperature Range	$T_A$	-40	—	+125	°C	
Storage Temperature Range	$T_A$	-65	—	+150	°C	
<b>Thermal Package Resistances</b>						
Thermal Resistance, 14L-PDIP	$\theta_{JA}$	—	70	—	°C/W	
Thermal Resistance, 14L-SOIC	$\theta_{JA}$	—	120	—	°C/W	
Thermal Resistance, 16L-QFN	$\theta_{JA}$	—	47	—	°C/W	

**TABLE 4-4: TIMING DIAGRAM**

Electrical Characteristics: Unless otherwise indicated, $V_{DD} = +2.7V$ to $+5.5V$ , and $V_{SS} = GND$ .						
Parameters	Sym.	Min.	Typ.	Max.	Units	Conditions
Input Clock Frequency	$F_{CLK}$	—	2	—	MHz	
Duty Factor	D	—	50	—	%	
Device Turn-On Time	$t_{ON}$	—	4	10	$\mu s$	Time from $\overline{CS} = 0$ to valid $V_{DETOUT}$ output ( <b>Note 1</b> )
Device Power-Down Time	$t_{OFF}$	—	1—	—	$\mu s$	Time from $\overline{CS} = 1$ to High-Z outputs on all drivers ( <b>Note 1</b> )

**Note 1:** Not tested in production but it is characterized.

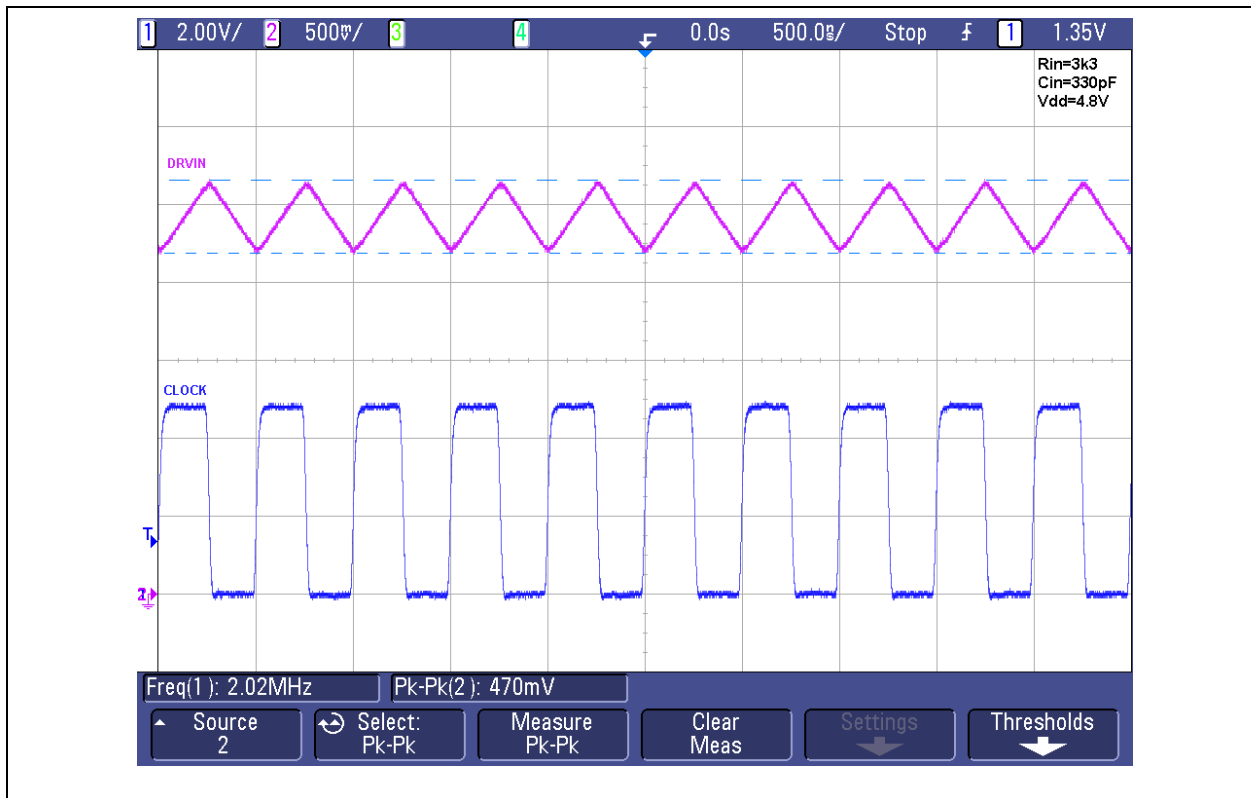
# MCP2036

---

NOTES:

## 5.0 TYPICAL PERFORMANCE CURVES

### 5.1 Performance Plots



**FIGURE 5-1:** Driver Input Waveforms

# MCP2036



FIGURE 5-2: Inductor Driver Transfer Function ( $R_{load} = 100 \text{ Ohm}$ )



FIGURE 5-3: Pulsed Voltage on Active Key Inductor (I/O Configuration)





FIGURE 5-4: Pulsed voltage on Reference Inductor Series with Active Inductor

# MCP2036

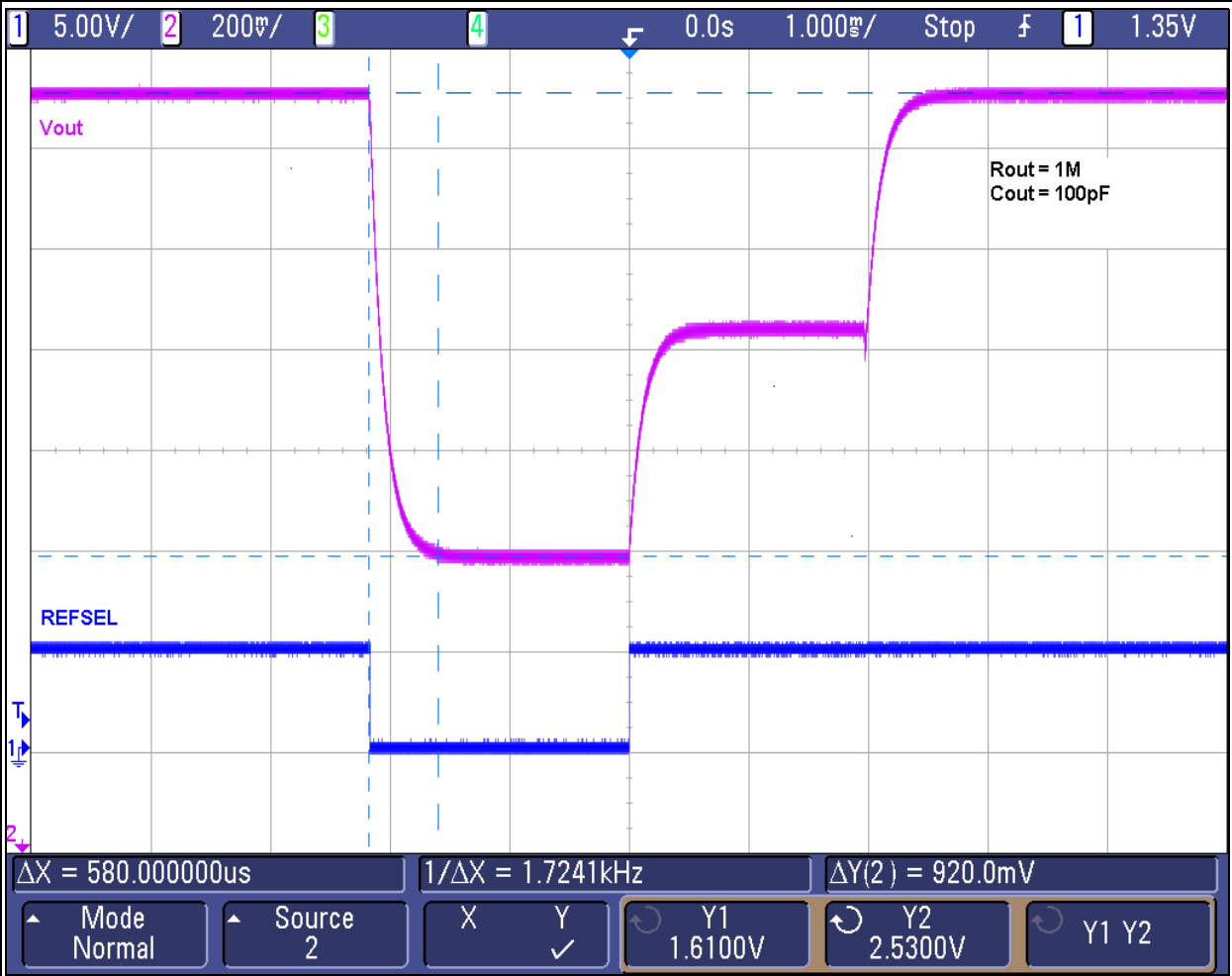
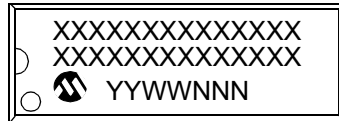


FIGURE 5-5: Output Detector Response Time

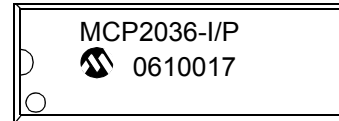
## 6.0 PACKAGING INFORMATION

### 6.1 Package Marking Information

14-Lead PDIP



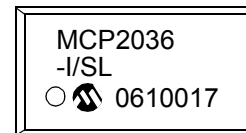
Example



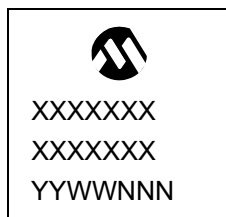
14-Lead SOIC (.150")



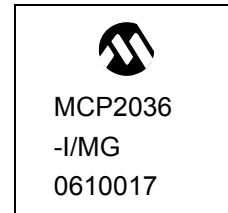
Example



16-Lead QFN



Example



<b>Legend:</b>	XX...X	Customer-specific information
	Y	Year code (last digit of calendar year)
	YY	Year code (last 2 digits of calendar year)
	WW	Week code (week of January 1 is week '01')
	NNN	Alphanumeric traceability code
	(e3)	Pb-free JEDEC designator for Matte Tin (Sn)
	*	This package is Pb-free. The Pb-free JEDEC designator (e3) can be found on the outer packaging for this package.

**Note:** In the event the full Microchip part number cannot be marked on one line, it will be carried over to the next line, thus limiting the number of available characters for customer-specific information.

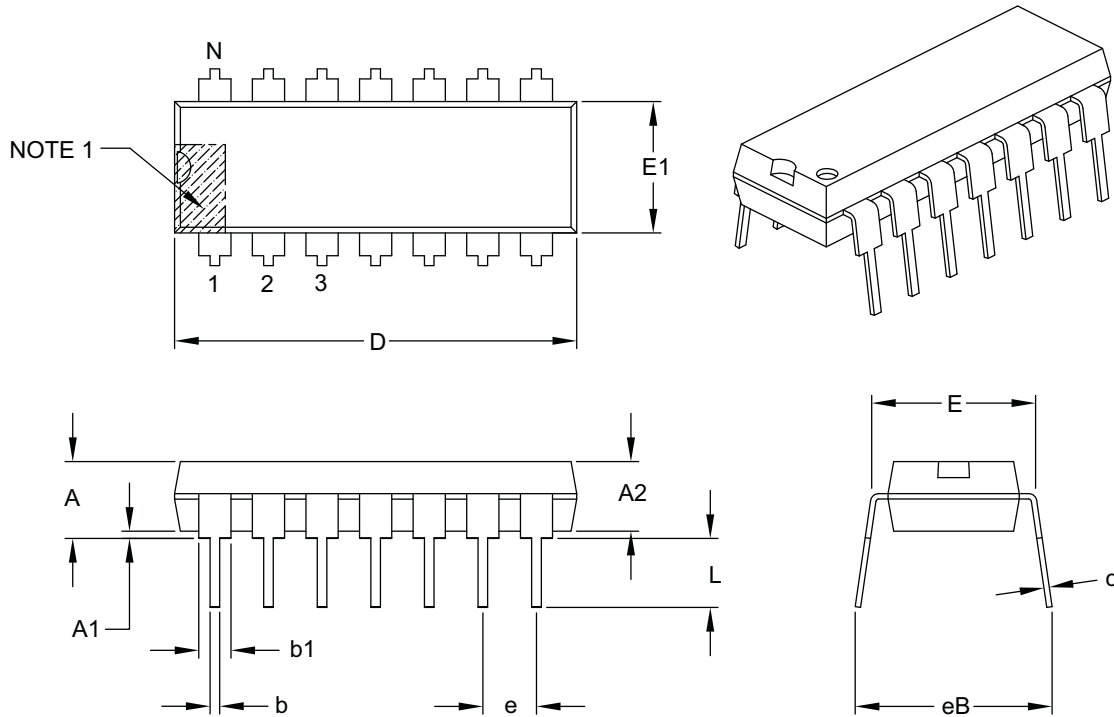
# MCP2036

## 6.2 Package Details

The following sections give the technical details of the packages.

### 14-Lead Plastic Dual In-Line (P) – 300 mil Body [PDIP]

**Note:** For the most current package drawings, please see the Microchip Packaging Specification located at <http://www.microchip.com/packaging>



Dimension Limits	Units	INCHES		
		MIN	NOM	MAX
Number of Pins	N	14		
Pitch	e	.100 BSC		
Top to Seating Plane	A	–	–	.210
Molded Package Thickness	A2	.115	.130	.195
Base to Seating Plane	A1	.015	–	–
Shoulder to Shoulder Width	E	.290	.310	.325
Molded Package Width	E1	.240	.250	.280
Overall Length	D	.735	.750	.775
Tip to Seating Plane	L	.115	.130	.150
Lead Thickness	c	.008	.010	.015
Upper Lead Width	b1	.045	.060	.070
Lower Lead Width	b	.014	.018	.022
Overall Row Spacing §	eB	–	–	.430

**Notes:**

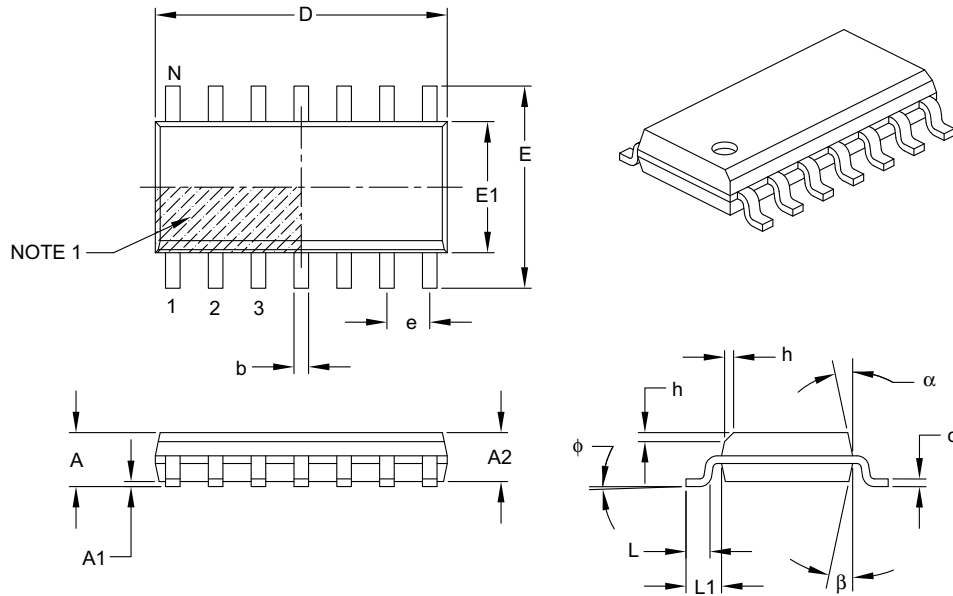
1. Pin 1 visual index feature may vary, but must be located with the hatched area.
2. § Significant Characteristic.
3. Dimensions D and E1 do not include mold flash or protrusions. Mold flash or protrusions shall not exceed .010" per side.
4. Dimensioning and tolerancing per ASME Y14.5M.

BSC: Basic Dimension. Theoretically exact value shown without tolerances.

Microchip Technology Drawing C04-005B

## 14-Lead Plastic Small Outline (SL) – Narrow, 3.90 mm Body [SOIC]

**Note:** For the most current package drawings, please see the Microchip Packaging Specification located at <http://www.microchip.com/packaging>



Dimension Limits	Units	MILLIMETERS		
		MIN	NOM	MAX
Number of Pins	N	14		
Pitch	e	1.27 BSC		
Overall Height	A	–	–	1.75
Molded Package Thickness	A2	1.25	–	–
Standoff §	A1	0.10	–	0.25
Overall Width	E	6.00 BSC		
Molded Package Width	E1	3.90 BSC		
Overall Length	D	8.65 BSC		
Chamfer (optional)	h	0.25	–	0.50
Foot Length	L	0.40	–	1.27
Footprint	L1	1.04 REF		
Foot Angle	$\phi$	0°	–	8°
Lead Thickness	c	0.17	–	0.25
Lead Width	b	0.31	–	0.51
Mold Draft Angle Top	$\alpha$	5°	–	15°
Mold Draft Angle Bottom	$\beta$	5°	–	15°

**Notes:**

1. Pin 1 visual index feature may vary, but must be located within the hatched area.
2. § Significant Characteristic.
3. Dimensions D and E1 do not include mold flash or protrusions. Mold flash or protrusions shall not exceed 0.15 mm per side.
4. Dimensioning and tolerancing per ASME Y14.5M.

BSC: Basic Dimension. Theoretically exact value shown without tolerances.

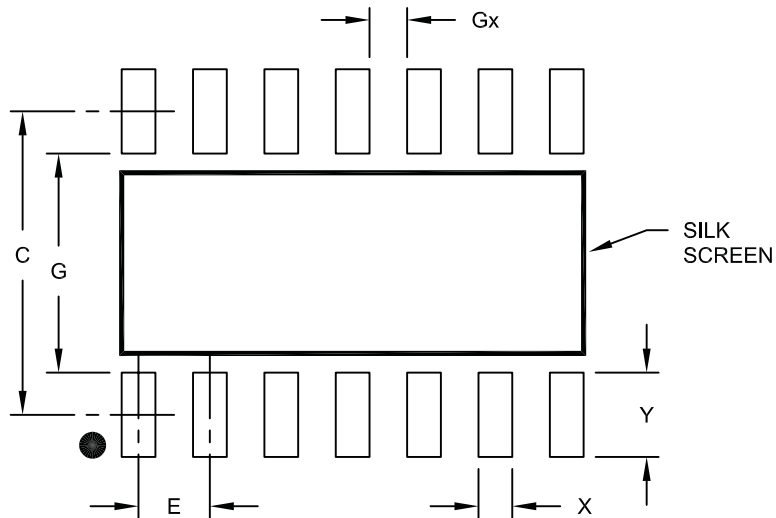
REF: Reference Dimension, usually without tolerance, for information purposes only.

Microchip Technology Drawing C04-065B

# MCP2036

14-Lead Plastic Small Outline (SL) - Narrow, 3.90 mm Body [SOIC]

**Note:** For the most current package drawings, please see the Microchip Packaging Specification located at <http://www.microchip.com/packaging>



RECOMMENDED LAND PATTERN

Dimension Limits	Units	MILLIMETERS		
		MIN	NOM	MAX
Contact Pitch	E	1.27 BSC		
Contact Pad Spacing	C		5.40	
Contact Pad Width	X			0.60
Contact Pad Length	Y			1.50
Distance Between Pads	Gx	0.67		
Distance Between Pads	G	3.90		

Notes:

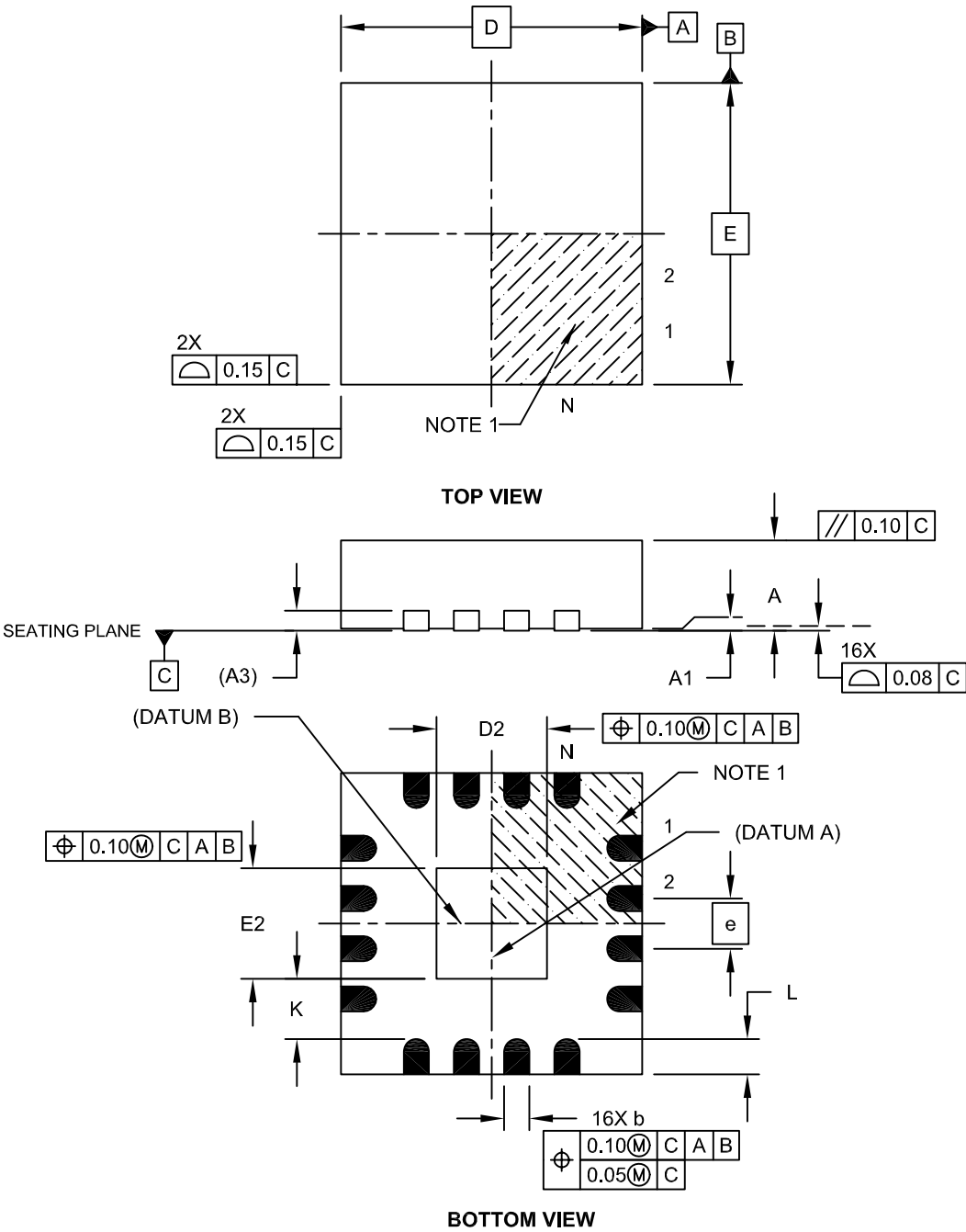
1. Dimensioning and tolerancing per ASME Y14.5M

BSC: Basic Dimension. Theoretically exact value shown without tolerances.

Microchip Technology Drawing No. C04-2065A

## 16-Lead Plastic Quad Flat, No Lead Package (MG) - 3x3x0.9 mm Body [QFN]

**Note:** For the most current package drawings, please see the Microchip Packaging Specification located at <http://www.microchip.com/packaging>



# MCP2036

## 16-Lead Plastic Quad Flat, No Lead Package (MG) - 3x3x0.9 mm Body [QFN]

**Note:** For the most current package drawings, please see the Microchip Packaging Specification located at <http://www.microchip.com/packaging>



Dimension Limits	Units	MILLIMETERS		
		MIN	NOM	MAX
Number of Pins	N	16		
Pitch	e	0.50 BSC		
Overall Height	A	0.80	0.85	0.90
Standoff	A1	0.00	0.02	0.05
Contact Thickness	A3	0.20 REF		
Overall Width	E	3.00 BSC		
Exposed Pad Width	E2	1.00	1.10	1.50
Overall Length	D	3.00 BSC		
Exposed Pad Length	D2	1.00	1.10	1.50
Contact Width	b	0.18	0.25	0.30
Contact Length	L	0.25	0.35	0.45
Contact-to-Exposed Pad	K	0.20	-	-

**Notes:**

1. Pin 1 visual index feature may vary, but must be located within the hatched area.
2. Package is saw singulated.
3. Dimensioning and tolerancing per ASME Y14.5M.

BSC: Basic Dimension. Theoretically exact value shown without tolerances.

REF: Reference Dimension, usually without tolerance, for information purposes only.

Microchip Technology Drawing C04-142A Sheet 2 of 2



## APPENDIX A: REVISION HISTORY

### Revision A (05/2009)

Original release of the document.

### Revision B (09/2009)

Replaced the 4X4 QFN Package with the 3X3 QFN Package; Replaced ML with MG in the 16-Lead QFN Example; Added SOIC (SL) Land Pattern.

### Revision C (11/2009)

Updated the Package Types, adding ISOL; Updated Figures 1-1, 1-2 and Table 2-1; Added Section 2-6 (Detector Isolate); Updated Figures 3-1, 3-2 and 3-3; Other minor edits.

# MCP2036

---

NOTES:

## PRODUCT IDENTIFICATION SYSTEM

To order or obtain information, e.g., on pricing or delivery, refer to the factory or the listed sales office.

<u>PART NO.</u>	<u>X</u>	<u>/XX</u>	<u>XXX</u>
Device	Temperature Range	Package	Pattern
<b>Device:</b>	MCP2036 VDD range 2.7V to 5.5V		
<b>Temperature Range:</b>	I = -40°C to+85°C (Industrial) E = -40°C to+125°C(Extended)		
<b>Package:</b>	MG = QFN SL = SOIC P = PDIP		
<b>Pattern:</b>	QTP, SQTP, Code or Special Requirements (blank otherwise)		

**Examples:**  
MCP2036-I/P 301 = Industrial temp., PDIP package, QTP pattern #301.

# MCP2036

---

NOTES:

---

**Note the following details of the code protection feature on Microchip devices:**

- Microchip products meet the specification contained in their particular Microchip Data Sheet.
- Microchip believes that its family of products is one of the most secure families of its kind on the market today, when used in the intended manner and under normal conditions.
- There are dishonest and possibly illegal methods used to breach the code protection feature. All of these methods, to our knowledge, require using the Microchip products in a manner outside the operating specifications contained in Microchip's Data Sheets. Most likely, the person doing so is engaged in theft of intellectual property.
- Microchip is willing to work with the customer who is concerned about the integrity of their code.
- Neither Microchip nor any other semiconductor manufacturer can guarantee the security of their code. Code protection does not mean that we are guaranteeing the product as “unbreakable.”

Code protection is constantly evolving. We at Microchip are committed to continuously improving the code protection features of our products. Attempts to break Microchip's code protection feature may be a violation of the Digital Millennium Copyright Act. If such acts allow unauthorized access to your software or other copyrighted work, you may have a right to sue for relief under that Act.

---

Information contained in this publication regarding device applications and the like is provided only for your convenience and may be superseded by updates. It is your responsibility to ensure that your application meets with your specifications. MICROCHIP MAKES NO REPRESENTATIONS OR WARRANTIES OF ANY KIND WHETHER EXPRESS OR IMPLIED, WRITTEN OR ORAL, STATUTORY OR OTHERWISE, RELATED TO THE INFORMATION, INCLUDING BUT NOT LIMITED TO ITS CONDITION, QUALITY, PERFORMANCE, MERCHANTABILITY OR FITNESS FOR PURPOSE. Microchip disclaims all liability arising from this information and its use. Use of Microchip devices in life support and/or safety applications is entirely at the buyer's risk, and the buyer agrees to defend, indemnify and hold harmless Microchip from any and all damages, claims, suits, or expenses resulting from such use. No licenses are conveyed, implicitly or otherwise, under any Microchip intellectual property rights.

**Trademarks**

The Microchip name and logo, the Microchip logo, dsPIC, KEELOQ, KEELOQ logo, MPLAB, PIC, PICmicro, PICSTART, rPIC and UNI/O are registered trademarks of Microchip Technology Incorporated in the U.S.A. and other countries.


FilterLab, Hampshire, HI-TECH C, Linear Active Thermistor, MXDEV, MXLAB, SEEVAL and The Embedded Control Solutions Company are registered trademarks of Microchip Technology Incorporated in the U.S.A.

Analog-for-the-Digital Age, Application Maestro, CodeGuard, dsPICDEM, dsPICDEM.net, dsPICworks, dsSPEAK, ECAN, ECONOMONITOR, FanSense, HI-TIDE, In-Circuit Serial Programming, ICSP, Mindi, MiWi, MPASM, MPLAB Certified logo, MPLIB, MPLINK, mTouch, Octopus, Omniscient Code Generation, PICC, PICC-18, PICDEM, PICDEM.net, PICkit, PICtail, PIC<sup>32</sup> logo, REAL ICE, rLAB, Select Mode, Total Endurance, TSHARC, UniWinDriver, WiperLock and ZENA are trademarks of Microchip Technology Incorporated in the U.S.A. and other countries.

SQTP is a service mark of Microchip Technology Incorporated in the U.S.A.

All other trademarks mentioned herein are property of their respective companies.

© 2009, Microchip Technology Incorporated, Printed in the U.S.A., All Rights Reserved.

 Printed on recycled paper.

**QUALITY MANAGEMENT SYSTEM**  
**CERTIFIED BY DNV**  
**== ISO/TS 16949:2002 ==**

*Microchip received ISO/TS-16949:2002 certification for its worldwide headquarters, design and wafer fabrication facilities in Chandler and Tempe, Arizona; Gresham, Oregon and design centers in California and India. The Company's quality system processes and procedures are for its PIC® MCUs and dsPIC® DSCs, KEELOQ® code hopping devices, Serial EEPROMs, microperipherals, nonvolatile memory and analog products. In addition, Microchip's quality system for the design and manufacture of development systems is ISO 9001:2000 certified.*



---

---

## WORLDWIDE SALES AND SERVICE

---

---

### AMERICAS

**Corporate Office**  
2355 West Chandler Blvd.  
Chandler, AZ 85224-6199  
Tel: 480-792-7200  
Fax: 480-792-7277  
Technical Support:  
<http://support.microchip.com>  
Web Address:  
[www.microchip.com](http://www.microchip.com)

**Atlanta**  
Duluth, GA  
Tel: 678-957-9614  
Fax: 678-957-1455

**Boston**  
Westborough, MA  
Tel: 774-760-0087  
Fax: 774-760-0088

**Chicago**  
Itasca, IL  
Tel: 630-285-0071  
Fax: 630-285-0075

**Cleveland**  
Independence, OH  
Tel: 216-447-0464  
Fax: 216-447-0643

**Dallas**  
Addison, TX  
Tel: 972-818-7423  
Fax: 972-818-2924

**Detroit**  
Farmington Hills, MI  
Tel: 248-538-2250  
Fax: 248-538-2260

**Kokomo**  
Kokomo, IN  
Tel: 765-864-8360  
Fax: 765-864-8387

**Los Angeles**  
Mission Viejo, CA  
Tel: 949-462-9523  
Fax: 949-462-9608

**Santa Clara**  
Santa Clara, CA  
Tel: 408-961-6444  
Fax: 408-961-6445

**Toronto**  
Mississauga, Ontario,  
Canada  
Tel: 905-673-0699  
Fax: 905-673-6509

### ASIA/PACIFIC

**Asia Pacific Office**  
Suites 3707-14, 37th Floor  
Tower 6, The Gateway  
Harbour City, Kowloon  
Hong Kong  
Tel: 852-2401-1200  
Fax: 852-2401-3431

**Australia - Sydney**  
Tel: 61-2-9868-6733  
Fax: 61-2-9868-6755

**China - Beijing**  
Tel: 86-10-8528-2100  
Fax: 86-10-8528-2104

**China - Chengdu**  
Tel: 86-28-8665-5511  
Fax: 86-28-8665-7889

**China - Hong Kong SAR**  
Tel: 852-2401-1200  
Fax: 852-2401-3431

**China - Nanjing**  
Tel: 86-25-8473-2460  
Fax: 86-25-8473-2470

**China - Qingdao**  
Tel: 86-532-8502-7355  
Fax: 86-532-8502-7205

**China - Shanghai**  
Tel: 86-21-5407-5533  
Fax: 86-21-5407-5066

**China - Shenyang**  
Tel: 86-24-2334-2829  
Fax: 86-24-2334-2393

**China - Shenzhen**  
Tel: 86-755-8203-2660  
Fax: 86-755-8203-1760

**China - Wuhan**  
Tel: 86-27-5980-5300  
Fax: 86-27-5980-5118

**China - Xiamen**  
Tel: 86-592-2388138  
Fax: 86-592-2388130

**China - Xian**  
Tel: 86-29-8833-7252  
Fax: 86-29-8833-7256

**China - Zhuhai**  
Tel: 86-756-3210040  
Fax: 86-756-3210049

### ASIA/PACIFIC

**India - Bangalore**  
Tel: 91-80-3090-4444  
Fax: 91-80-3090-4080

**India - New Delhi**  
Tel: 91-11-4160-8631  
Fax: 91-11-4160-8632

**India - Pune**  
Tel: 91-20-2566-1512  
Fax: 91-20-2566-1513

**Japan - Yokohama**  
Tel: 81-45-471- 6166  
Fax: 81-45-471-6122

**Korea - Daegu**  
Tel: 82-53-744-4301  
Fax: 82-53-744-4302

**Korea - Seoul**  
Tel: 82-2-554-7200  
Fax: 82-2-558-5932 or  
82-2-558-5934

**Malaysia - Kuala Lumpur**  
Tel: 60-3-6201-9857  
Fax: 60-3-6201-9859

**Malaysia - Penang**  
Tel: 60-4-227-8870  
Fax: 60-4-227-4068

**Philippines - Manila**  
Tel: 63-2-634-9065  
Fax: 63-2-634-9069

**Singapore**  
Tel: 65-6334-8870  
Fax: 65-6334-8850

**Taiwan - Hsin Chu**  
Tel: 886-3-6578-300  
Fax: 886-3-6578-370

**Taiwan - Kaohsiung**  
Tel: 886-7-536-4818  
Fax: 886-7-536-4803

**Taiwan - Taipei**  
Tel: 886-2-2500-6610  
Fax: 886-2-2508-0102

**Thailand - Bangkok**  
Tel: 66-2-694-1351  
Fax: 66-2-694-1350

### EUROPE

**Austria - Wels**  
Tel: 43-7242-2244-39  
Fax: 43-7242-2244-393

**Denmark - Copenhagen**  
Tel: 45-4450-2828  
Fax: 45-4485-2829

**France - Paris**  
Tel: 33-1-69-53-63-20  
Fax: 33-1-69-30-90-79

**Germany - Munich**  
Tel: 49-89-627-144-0  
Fax: 49-89-627-144-44

**Italy - Milan**  
Tel: 39-0331-742611  
Fax: 39-0331-466781

**Netherlands - Drunen**  
Tel: 31-416-690399  
Fax: 31-416-690340

**Spain - Madrid**  
Tel: 34-91-708-08-90  
Fax: 34-91-708-08-91

**UK - Wokingham**  
Tel: 44-118-921-5869  
Fax: 44-118-921-5820

## X-ON Electronics

Largest Supplier of Electrical and Electronic Components

*Click to view similar products for [LED Lighting Drivers](#) category:*

*Click to view products by [Microchip](#) manufacturer:*

Other Similar products are found below :

[LV5235V-MPB-H](#) [MB39C602PNF-G-JNEFE1](#) [FAN5701UMP20X](#) [FAN5702UMP30X](#) [MIC2871YMK-T5](#) [MP1518DJ-LF-P](#) [MP3202DG-LF-P](#) [MP3304BDD-LF-P](#) [MP3306EG-LF-P](#) [MP3398AGY](#) [MP4033GK](#) [AL1676-10BS7-13](#) [AL1676-20AS7-13](#) [MX877RTR](#)  
[NCL30085BDR2G](#) [ICL8201](#) [IS31BL3506B-TTLS2-TR](#) [PAM2841GR](#) [A8519KLPTR-T](#) [FAN5701UMP08X](#) [FAN5702UMP20X](#) [AL3157F-7](#)  
[AL8807BQMP-13](#) [LV52204MTTBG](#) [TLD1120EL](#) [MP2488DN-LF](#) [MP24893DQ-LF-P](#) [MP24894GJ-P](#) [MP24895GJ-P](#) [MP3308DL-LF-Z](#)  
[MP3393EF-LF](#) [MP3394SGF](#) [MP3802DQ-LF-P](#) [MP4008GS](#) [MP4031GS](#) [MP4032-1GS](#) [MP4034GS](#) [MP46885DN-LF](#) [SLG7NT4082V](#)  
[SLG7NT4082VTR](#) [PCA9955BTWQ900J](#) [TLD5095EL](#) [LED6001TR](#) [STP4CMPQTR](#) [BD1604MVV-E2](#) [MC10SX1130DG](#)  
[MAX16832CASAT](#) [MAX16814CATP+](#) [NCL30086BDR2G](#) [NCL30088BDR2G](#)