



**MCP401XEV
Evaluation Board
User's Guide**

Note the following details of the code protection feature on Microchip devices:

- Microchip products meet the specification contained in their particular Microchip Data Sheet.
- Microchip believes that its family of products is one of the most secure families of its kind on the market today, when used in the intended manner and under normal conditions.
- There are dishonest and possibly illegal methods used to breach the code protection feature. All of these methods, to our knowledge, require using the Microchip products in a manner outside the operating specifications contained in Microchip's Data Sheets. Most likely, the person doing so is engaged in theft of intellectual property.
- Microchip is willing to work with the customer who is concerned about the integrity of their code.
- Neither Microchip nor any other semiconductor manufacturer can guarantee the security of their code. Code protection does not mean that we are guaranteeing the product as "unbreakable."

Code protection is constantly evolving. We at Microchip are committed to continuously improving the code protection features of our products. Attempts to break Microchip's code protection feature may be a violation of the Digital Millennium Copyright Act. If such acts allow unauthorized access to your software or other copyrighted work, you may have a right to sue for relief under that Act.

Information contained in this publication regarding device applications and the like is provided only for your convenience and may be superseded by updates. It is your responsibility to ensure that your application meets with your specifications. MICROCHIP MAKES NO REPRESENTATIONS OR WARRANTIES OF ANY KIND WHETHER EXPRESS OR IMPLIED, WRITTEN OR ORAL, STATUTORY OR OTHERWISE, RELATED TO THE INFORMATION, INCLUDING BUT NOT LIMITED TO ITS CONDITION, QUALITY, PERFORMANCE, MERCHANTABILITY OR FITNESS FOR PURPOSE. Microchip disclaims all liability arising from this information and its use. Use of Microchip devices in life support and/or safety applications is entirely at the buyer's risk, and the buyer agrees to defend, indemnify and hold harmless Microchip from any and all damages, claims, suits, or expenses resulting from such use. No licenses are conveyed, implicitly or otherwise, under any Microchip intellectual property rights.

Trademarks

The Microchip name and logo, the Microchip logo, dsPIC, KEELOQ, KEELOQ logo, MPLAB, PIC, PICmicro, PICSTART, rfPIC and UNI/O are registered trademarks of Microchip Technology Incorporated in the U.S.A. and other countries.


FilterLab, Hampshire, HI-TECH C, Linear Active Thermistor, MXDEV, MXLAB, SEEVAL and The Embedded Control Solutions Company are registered trademarks of Microchip Technology Incorporated in the U.S.A.

Analog-for-the-Digital Age, Application Maestro, CodeGuard, dsPICDEM, dsPICDEM.net, dsPICworks, dsSPEAK, ECAN, ECONOMONITOR, FanSense, HI-TIDE, In-Circuit Serial Programming, ICSP, Mindi, MiWi, MPASM, MPLAB Certified logo, MPLIB, MPLINK, mTouch, Octopus, Omniscient Code Generation, PICC, PICC-18, PICDEM, PICDEM.net, PICKit, PICtail, PIC³² logo, REAL ICE, rLAB, Select Mode, Total Endurance, TSHARC, UniWinDriver, WiperLock and ZENA are trademarks of Microchip Technology Incorporated in the U.S.A. and other countries.

SQTP is a service mark of Microchip Technology Incorporated in the U.S.A.

All other trademarks mentioned herein are property of their respective companies.

© 2010, Microchip Technology Incorporated, Printed in the U.S.A., All Rights Reserved.

 Printed on recycled paper.

QUALITY MANAGEMENT SYSTEM
CERTIFIED BY DNV
== ISO/TS 16949:2002 ==

Microchip received ISO/TS-16949:2002 certification for its worldwide headquarters, design and wafer fabrication facilities in Chandler and Tempe, Arizona; Gresham, Oregon and design centers in California and India. The Company's quality system processes and procedures are for its PIC[®] MCUs and dsPIC[®] DSCs, KEELOQ[®] code hopping devices, Serial EEPROMs, microperipherals, nonvolatile memory and analog products. In addition, Microchip's quality system for the design and manufacture of development systems is ISO 9001:2000 certified.



MCP401XEV EVALUATION BOARD USER'S GUIDE

Table of Contents

Preface	1
Chapter 1. Product Overview	
1.1 Introduction	5
1.2 What is the MCP401XEV Evaluation Board?	5
1.3 What the MCP401XEV Evaluation Board Kit Includes	6
Chapter 2. Installation and Operation	
2.1 Introduction	7
2.2 Features	8
2.3 Getting Started	9
2.4 MCP401XEV Evaluation Board Description	9
2.5 Configuring The PICkit Serial Analyzer	13
2.6 MCP40D18EV Demo Steps	23
Appendix A. Schematic and Layouts	
A.1 Introduction	27
A.2 Schematics and PCB Layout	27
A.3 Board - Schematic	28
A.4 Board - Top Trace, Silk and Pads	29
A.5 Board - Bottom Trace & Pads	30
A.6 Board - Layer 2 Ground Plane	31
A.7 Board - Layer 3 Power Plane	32
A.8 Board - Bottom Silk, Trace and Pads	33
Appendix B. Bill of Materials (BOM)	
Worldwide Sales and Service	36

NOTES:

Preface

NOTICE TO CUSTOMERS

All documentation becomes dated, and this manual is no exception. Microchip tools and documentation are constantly evolving to meet customer needs, so some actual dialogs and/or tool descriptions may differ from those in this document. Please refer to our web site (www.microchip.com) to obtain the latest documentation available.

Documents are identified with a “DS” number. This number is located on the bottom of each page, in front of the page number. The numbering convention for the DS number is “DSXXXXA”, where “XXXX” is the document number and “A” is the revision level of the document.

For the most up-to-date information on development tools, see the MPLAB® IDE on-line help. Select the Help menu, and then Topics to open a list of available on-line help files.

INTRODUCTION

This chapter contains general information that will be useful to know before using the MCP401XEV Evaluation Board. Items discussed in this chapter include:

- Document Layout
- Conventions Used in this Guide
- The Microchip Web Site
- The Microchip Web Site
- Customer Support
- Document Revision History

DOCUMENT LAYOUT

This document describes how to use the MCP401XEV Evaluation Board as a development tool to emulate and debug firmware on a target board. The manual layout is as follows:

- **Chapter 1. “Product Overview”** – Important information about the MCP401XEV Evaluation Board.
- **Chapter 2. “Installation and Operation”** – Includes instructions on how to get started with this evaluation board.
- **Appendix A. “Schematic and Layouts”** – Shows the schematic and layout diagrams for the MCP401XEV Evaluation Board.
- **Appendix B. “Bill of Materials (BOM)”** – Lists the parts used to build the MCP401XEV Evaluation Board.

MCP401XEV Evaluation Board User's Guide

CONVENTIONS USED IN THIS GUIDE

This manual uses the following documentation conventions:

DOCUMENTATION CONVENTIONS

Description	Represents	Examples
Arial font:		
Italic characters	Referenced books	<i>MPLAB[®] IDE User's Guide</i>
	Emphasized text	...is the <i>only</i> compiler...
Initial caps	A window	the Output window
	A dialog	the Settings dialog
	A menu selection	select Enable Programmer
Quotes	A field name in a window or dialog	"Save project before build"
Underlined, italic text with right angle bracket	A menu path	<u><i>File>Save</i></u>
Bold characters	A dialog button	Click OK
	A tab	Click the Power tab
N'Rnnnn	A number in verilog format, where N is the total number of digits, R is the radix and n is a digit.	4'b0010, 2'hF1
Text in angle brackets < >	A key on the keyboard	Press <Enter>, <F1>

RECOMMENDED READING

This user's guide describes how to use the MCP401XEV Evaluation Board. Other useful documents are listed below. The following Microchip documents are available and recommended as supplemental reference resources.

AN1080 Application Note, “Understanding Digital Potentiometer Resistor Variations”, DS01080

These data sheets provide detailed information regarding the MCP401X and MCP40D1X product families:

MCP4017/18/19 Data Sheet, “7-bit Single \dot{I}^2C Digital POT with Volatile Memory in SC70”, DS22147

MCP40D17/18/19 Data Sheet, “7-bit Single \dot{I}^2C (with Command Code) Digital POT with Volatile Memory in SC70”, DS22152

THE MICROCHIP WEB SITE

Microchip provides online support via our web site at www.microchip.com. This web site is used as a means to make files and information easily available to customers. Accessible by using your favorite Internet browser, the web site contains the following information:

- **Product Support** – Data sheets and errata, application notes and sample programs, design resources, user's guides and hardware support documents, latest software releases and archived software
- **General Technical Support** – Frequently Asked Questions (FAQs), technical support requests, online discussion groups, Microchip consultant program member listing
- **Business of Microchip** – Product selector and ordering guides, latest Microchip press releases, listing of seminars and events, listings of Microchip sales offices, distributors and factory representatives

CUSTOMER SUPPORT

Users of Microchip products can receive assistance through several channels:

- Distributor or Representative
- Local Sales Office
- Field Application Engineer (FAE)
- Technical Support
- Development Systems Information Line

Customers should contact their distributor, representative or field application engineer (FAE) for support. Local sales offices are also available to help customers. A listing of sales offices and locations is included in the back of this document.

Technical support is available through the web site at: <http://support.microchip.com>

In addition, there is a Development Systems Information Line which lists the latest versions of Microchip's development systems software products. This line also provides information on how customers can receive currently available upgrade kits.

The Development Systems Information Line numbers are:

1-800-755-2345 – United States and most of Canada

1-480-792-7302 – Other International Locations

DOCUMENT REVISION HISTORY

Revision A (January 2010)

- Initial Release of this Document.

Chapter 1. Product Overview

1.1 INTRODUCTION

This chapter provides an overview of the MCP401XEV Evaluation Board and covers the following topics:

- What is the MCP401XEV Evaluation Board?
- What the MCP401XEV Evaluation Board kit includes

1.2 WHAT IS THE MCP401XEV EVALUATION BOARD?

The MCP401XEV Evaluation Board allows the system designer to quickly evaluate the operation of Microchip Technology's MCP40D18 Digital Potentiometer device. This device is similar to the following devices:

- MCP40D17
- MCP40D19
- MCP4017
- MCP4018
- MCP4019

The board uses the SC70EV Generic PCB and has been populated for the MCP40D18. The 6-pin header (PICKit Serial) has been jumpered to the MCP40D18's appropriate pins. This allows the PICKit Serial to communicate with the device.

Additional blank PCBs may be ordered by using the order number: SC70EV. Each SC70EV kit contains 5 PCBs.

Figure 1-1 shows the top view of the PCB.

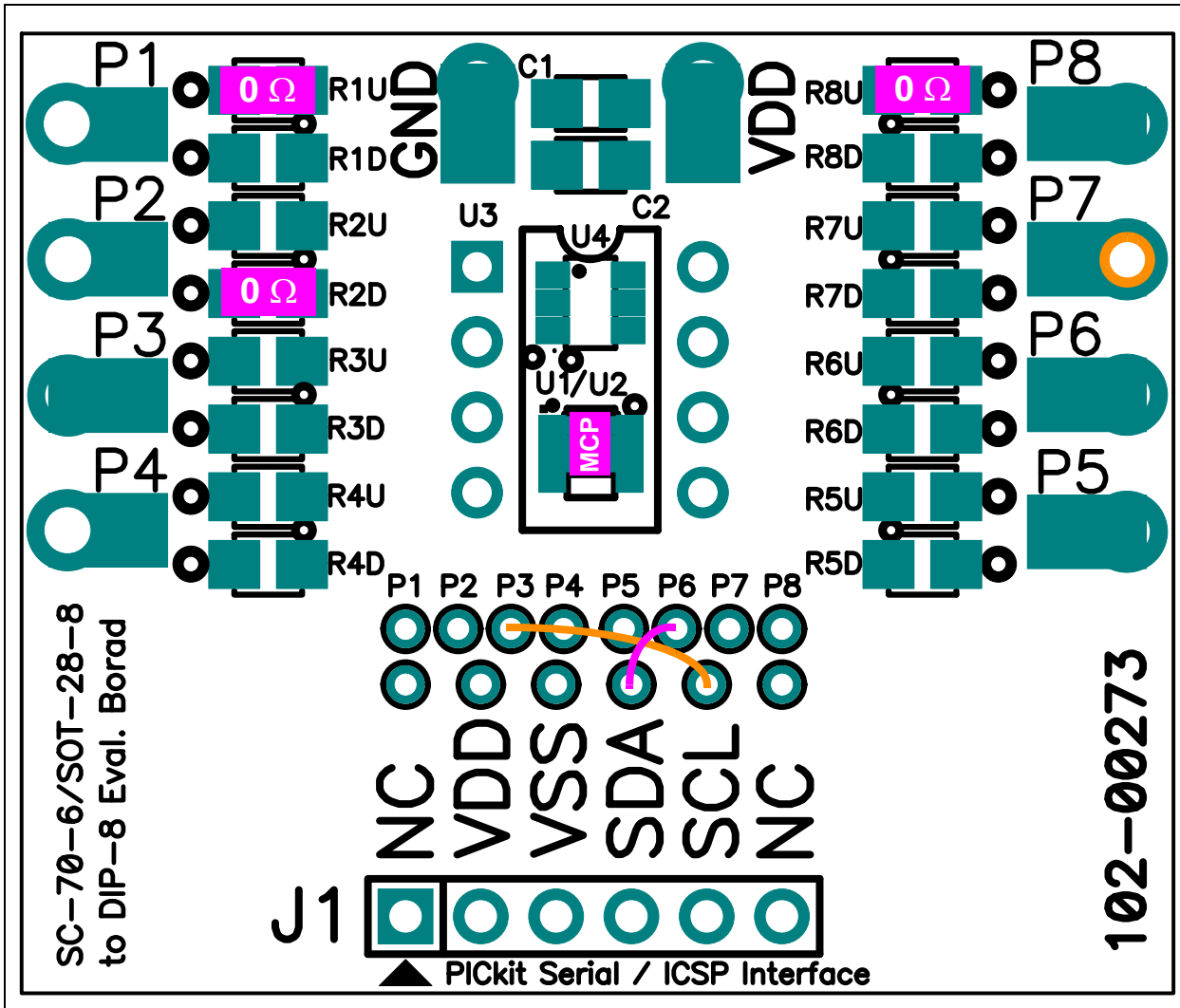


FIGURE 1-1: MCP401XEV Evaluation Board Using the SC70EV Evaluation Board (MCP40D18 installed in U1).

1.3 WHAT THE MCP401XEV EVALUATION BOARD KIT INCLUDES

This MCP401XEV Evaluation Board kit includes:

- MCP401XEV Evaluation Board
- One SC70EV Blank PCB, 102-00273.
Extra blank PCBs can be ordered (order #: SC70EV)
- Important Information Sheet

Chapter 2. Installation and Operation

2.1 INTRODUCTION

The MCP401XEV Evaluation Board allows the system designer to quickly evaluate the operation of the MCP40D18 10 k Ω (-103) Digital Potentiometer device using the PICkit Serial Analyzer. The PICkit Serial Analyzer is available separately (order number: DV164122).

The MCP401XEV Evaluation Board is a minimum configuration for the device. As well as the device, other desired passive components (resistors and capacitors) and connection posts may be installed.

The MCP401XEV Evaluation Board can also be very easily jumpered into a customer's existing circuit. This gives an indication of the MCP40D18 device performance, but is affected by the jumper lead length and the EM noise that the jumpers pick up.

The MCP401XEV Evaluation board uses the generic SC70EV Evaluation Board PCB, and includes a second blank PCB. Additional PCB may be ordered (order number: SC70EV). The SC70EV kit includes 5 blank PCBs.

Other boards can be easily built up using the SC70EV PCB to allow evaluation of other resistance options (5 k Ω , 50 k Ω , or 100 k Ω) or any of the other devices in the following packages:

- SC70 package (uses I²C interface)
 - MCP4017, MCP4018, MCP4019, MCP40D17, or MCP40D19
- SOT-23 package (uses Up/Down interface)
 - MCP4012, MCP4013, MCP4014, MCP4022, MCP4023, or MCP4024
- DIP-8 Package (uses SPI interface)
 - MCP4131, MCP4141, MCP4151, or MCP4161

The MCP401XEV Evaluation Board also has a 6-pin interface (PICkit Serial, ICSP, etc.) whose signals can easily be jumpered to any of the device's pins.

Additional information on using the SC70EV Evaluation Board PCB or for modifying the MCP401XEV board is available in the SC70EV User's Guide (DS51874). **Appendix A. "Schematic and Layouts"** has information on the PCB schematic and layout while Figure 2-2 shows components that are installed on the PCB.

2.2 FEATURES

The MCP401XEV Evaluation Board has the following features:

- MCP40D18-103AE/LT is installed (I²C address of 7Ch)
- 0Ω resistors connect MCP40D18 VDD and VSS signals to the appropriate Power or Ground plane (see Figure 2-2)
- 0Ω resistors connect MCP40D18 A terminal signal to Power plane, Resistor Network is in a voltage divider configuration (see Figure 2-2)
- Through-hole connection terminal (Orange) for the Wiper pin
- Connection terminals for all device pins (either through-hole or surface-mount)
- Footprints for optional passive components (SMT 805 footprint) for:
 - Power supply filtering (C₁ and C₂ footprints)
 - Device bypass capacitor (RxD footprint for device pin connected to V_{DD})
- Silk-screen area to write specifics of implemented circuit (on back of PCB), such as MCP4018 10 kΩ
- PICKit Serial Analyzer Header

The included SC70EV Board has the following features:

- Connection terminals may be either through-hole or surface-mount
- Three package type footprints supported:
 - SC70-6
 - SC70-5
 - SC70-3
 - SOT-23-8
 - SOT-23-6
 - SOT-23-5
 - SOT-23-3
 - DIP-8 (300 millimeter spacing)
- Footprints for optional passive components (SMD 805 footprint) for:
 - Power supply filtering (C₁ and C₂ footprints)
 - Device bypass capacitor (RxD footprint for device pin connected to V_{DD})
 - Output filtering (RxD footprint)
 - Output pull-up resistor (RxU footprint)
 - Output pull-down resistor (RxD footprint)
 - Output loading resistor (RxD footprint)
- Silk-screen area to write specifics of implemented circuit (on back of PCB), such as MCP4018 10 kΩ
- Can be used for SC70 or SOT-23 to DIP-8 converter
- PICKit Serial Analyzer / PICKit 2 Programming (ICSP) Header

2.3 GETTING STARTED

The MCP401XEV Evaluation Board allows quick evaluation of the MCP40D18-103AE/LT device. This device is in the potentiometer configuration with terminal B internally tied to ground. This device has an R_{AB} resistance that is typically 10 k Ω and has a slave I²C device address of 7Ch. Evaluation can be done by:

- Using the PICkit Serial Analyzer for interface communication
- Jumpering the MCP401XEV Evaluation Board into your application circuit to control the MCP40D18-103A device

This user guide will discuss the steps needed to evaluate the MCP40D18-103AE/LT device using the PICkit Serial Analyzer (order number: DV164122).

Section 2.5 “Configuring The PICkit Serial Analyzer” shows the steps to configure the PICkit Serial Analyzer as well as create User Script files which are used to communicate with the MCP40D18, based on the device's I²C communication protocol format.

2.4 MCP401XEV EVALUATION BOARD DESCRIPTION

The MCP401XEV Evaluation Board uses the flexible SC70EV Evaluation Board PCB. This simple Evaluation Board allows the system designer to quickly evaluate the operation of the MCP40D18-103A device ($R_{AB(TYP)} = 10$ k Ω and has a device slave I²C address = 7Ch) using the PICkit Serial Analyzer or by jumpering the board into their application system. The PICkit Serial Analyzer is available separately (order number: DV164122).

2.4.1 The Hardware

Figure 2-2 shows the component layout of the MCP401XEV Evaluation Board. This is a small four-layer board (1.43" x 1.255" (36.322 mm x 31.877 mm)). There are ten connection points/pads that can use either through-hole or surface-mount connector posts.

The pad labeled VDD is connected to the PCB power plane, while the pad labeled VSS is connected to the PCB ground plane. All the passive components that are connected to VDD or VSS are connected to either the power plane or ground plane.

The eight remaining PCB pads correspond to the device pins (i.e.; pad 1 connects to pin 1).

Each pad has two passive components associated with them: a pull-up resistor and a pull-down resistor. The pull-up resistor is always RXU and the pull-down resistor is RXD. The “X” is a numeric value that corresponds to a particular pad (1 to 8). As an example, Pad 5's pull-up resistor is R5U. Capacitor C1 and C2 are the power supply filtering capacitors. For whichever pin is the device's VDD, the RXD component footprint can be used for the device's bypass capacitor. Table 2-2 describes the components.

A 6-pin header interface is available to support the PICkit Serial or the PICmicro In-Circuit Serial Programming (ICSP) interface.

MCP401XEV Evaluation Board User's Guide

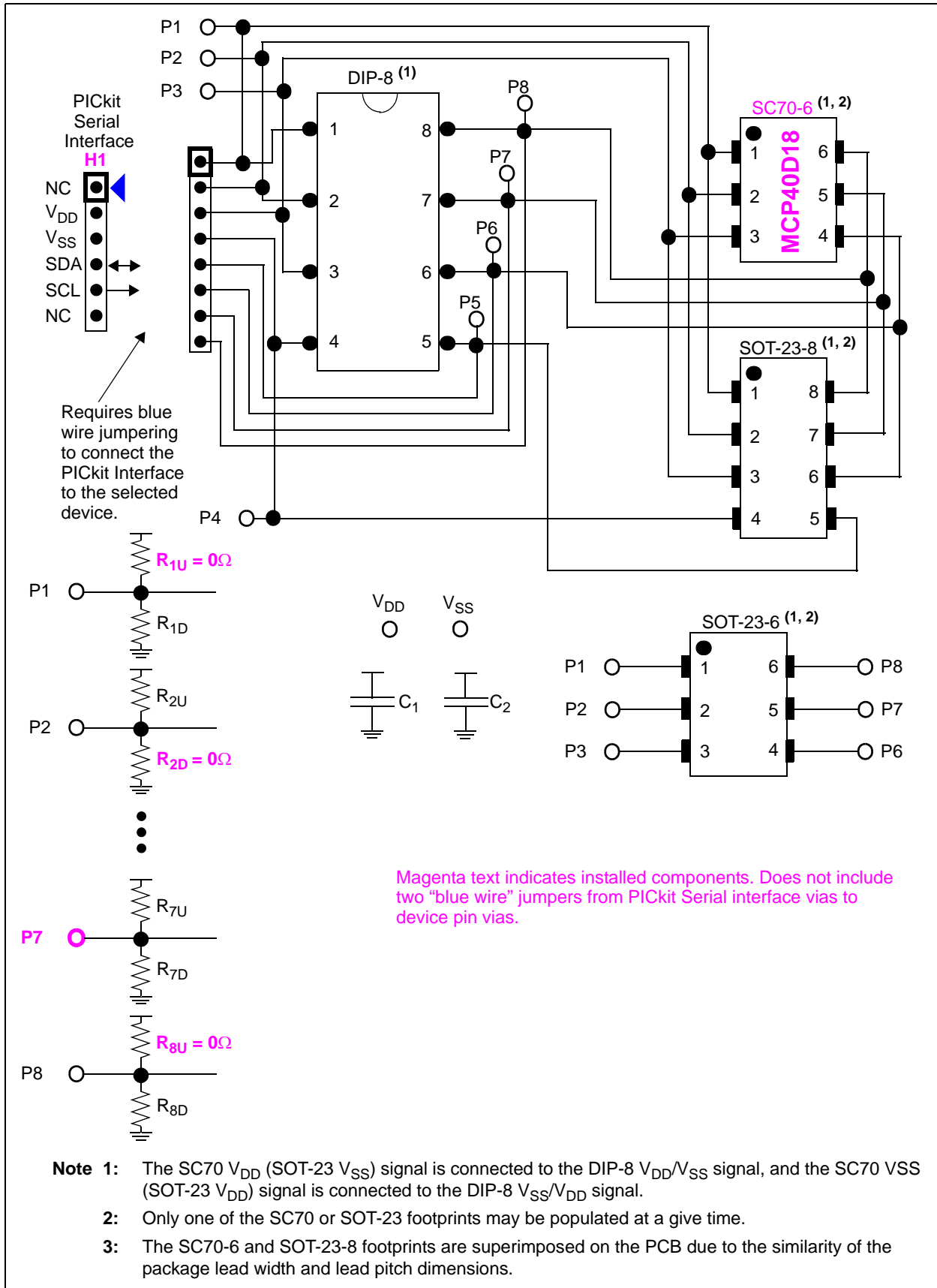


FIGURE 2-1: SC70EV Evaluation Board Circuit.

Installation and Operation

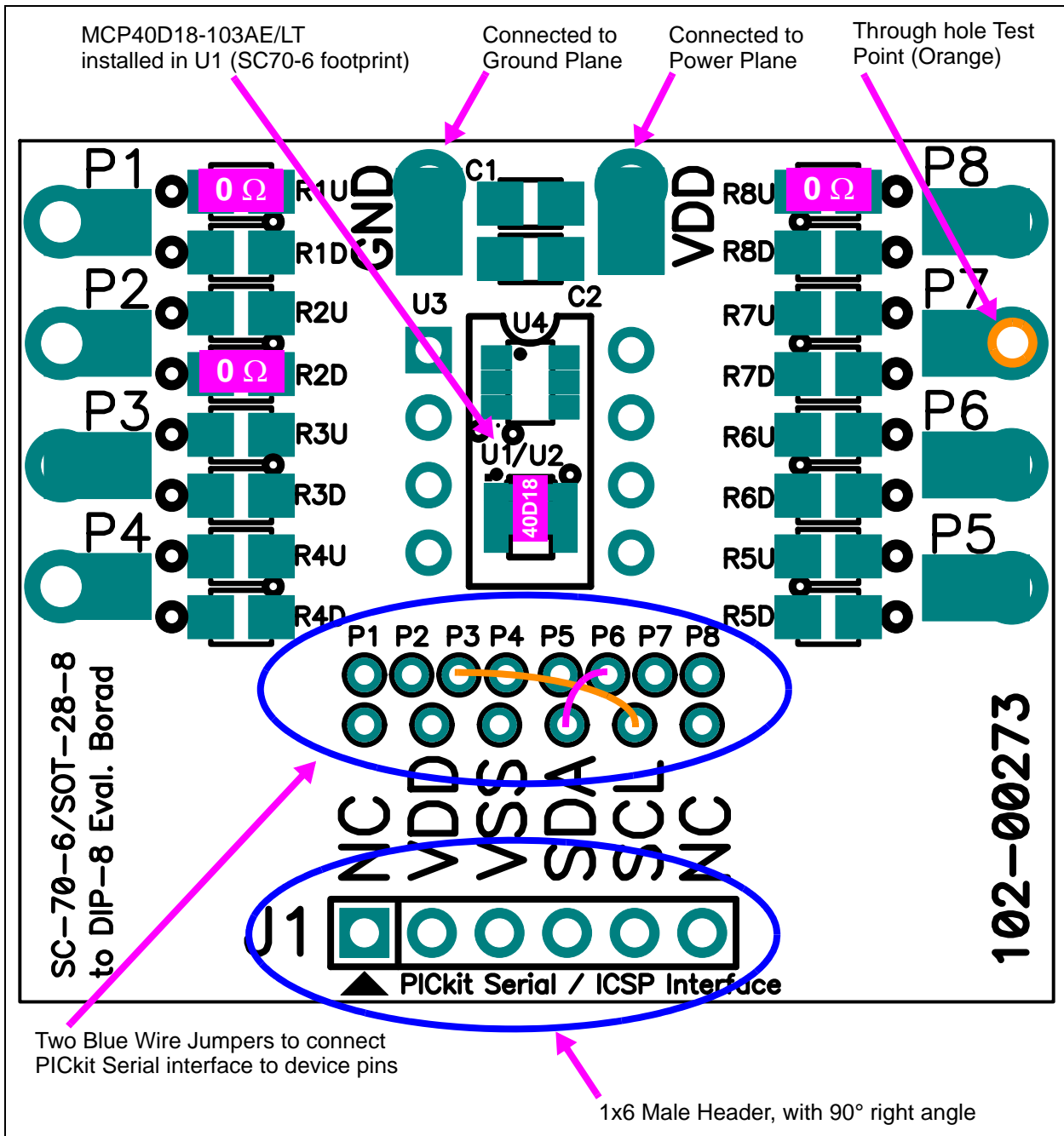


FIGURE 2-2: MCP401XEV Evaluation Board Component Placement Using the SC70EV Evaluation Board (Top).

MCP401XEV Evaluation Board User's Guide

TABLE 2-1: INSTALLED PASSIVE COMPONENTS (2)

Component	Description	Comment
R1U, R8U	0Ω SMT 805	Pull-up resistor
R2D	0Ω SMT 805	Pull-down resistor (1)
U1	MCP40D18-103AE/LT	10 kΩ, Device I ² C Slave Address = 7Ch
P7	Test Point - through hole connector (Orange)	
J1	1x6 Male Header, 100 mil spacing 90° angle.	1 x 6 male Header
—	Blue Wire: J1 SCL via to P3 via J1 SDA via to P6 via	See Figure 2-2

Note 1: Whichever pin is the device's VDD pin, that corresponding RXD footprint can be used for the device's bypass capacitor. So if Pin 8 is the device's VDD pin, then install the bypass capacitor in the R8D footprint.

2: All passive components use the surface mount 805 footprint.

TABLE 2-2: OPTIONAL PASSIVE COMPONENTS - NOT INSTALLED (2)

Component	Comment
C1, C2	Power supply bypass capacitors (3)
R2U, R3U, R4U, R5U, R6U, R7U	Pull-up resistor
R1D, R3D, R4D, R5D, R6D, R7D, R8D	Pull-down resistor (1)
U2, U3, U4	Alternate package footprints
VDD, GND	Power and Ground plane connection points
P1, P2, P3, P4, P5, P6, P8	Test Point connectors

Note 1: Whichever pin is the device's VDD pin, that corresponding RXD footprint can be used for the device's bypass capacitor. So if Pin 8 is the device's VDD pin, then install the bypass capacitor in the R8D footprint.

2: All passive components use the surface mount 805 footprint.

3: If board is powered via the VDD and GND connection points, the use of bypass capacitors on C1 and C2 may improve performance. The benefit is reduced if the board is powered via the PICKit Serial interface.

2.5 CONFIGURING THE PICKIT SERIAL ANALYZER

Figure 2-3 shows the PICKit Serial Window after the program has started. The Transaction window indicates if the PICKit Serial GUI located the PICKit Serial Analyzer Hardware. When starting the PICKit Serial Analyzer for the 1st time, some setup questions may be asked. If you have any questions, please refer to the PICKit Serial Analyzer documentation, available at www.Microchip.com/PICKitSerial.

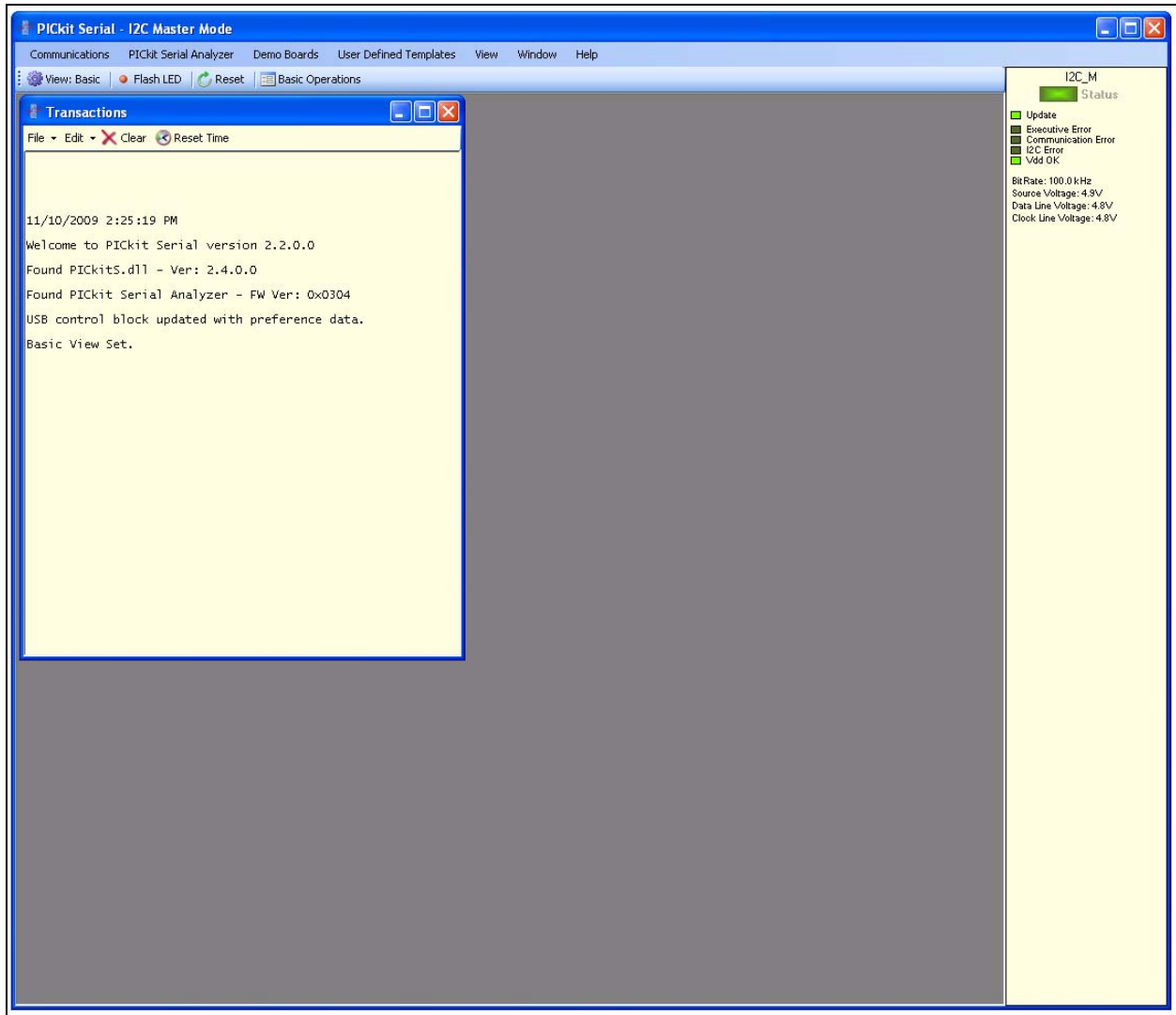


FIGURE 2-3: PICKit Serial Main Window at Startup.

MCP401XEV Evaluation Board User's Guide

We need to select the PICkit Serial Analyzer GUI to be in I²C Master mode. Figure 2-4 shows how to select the proper mode. Select *PICkit Serial Analyzer* -> *Select Communications Mode* -> *I2C Master* menu item (make sure the I2C Master item is checked).

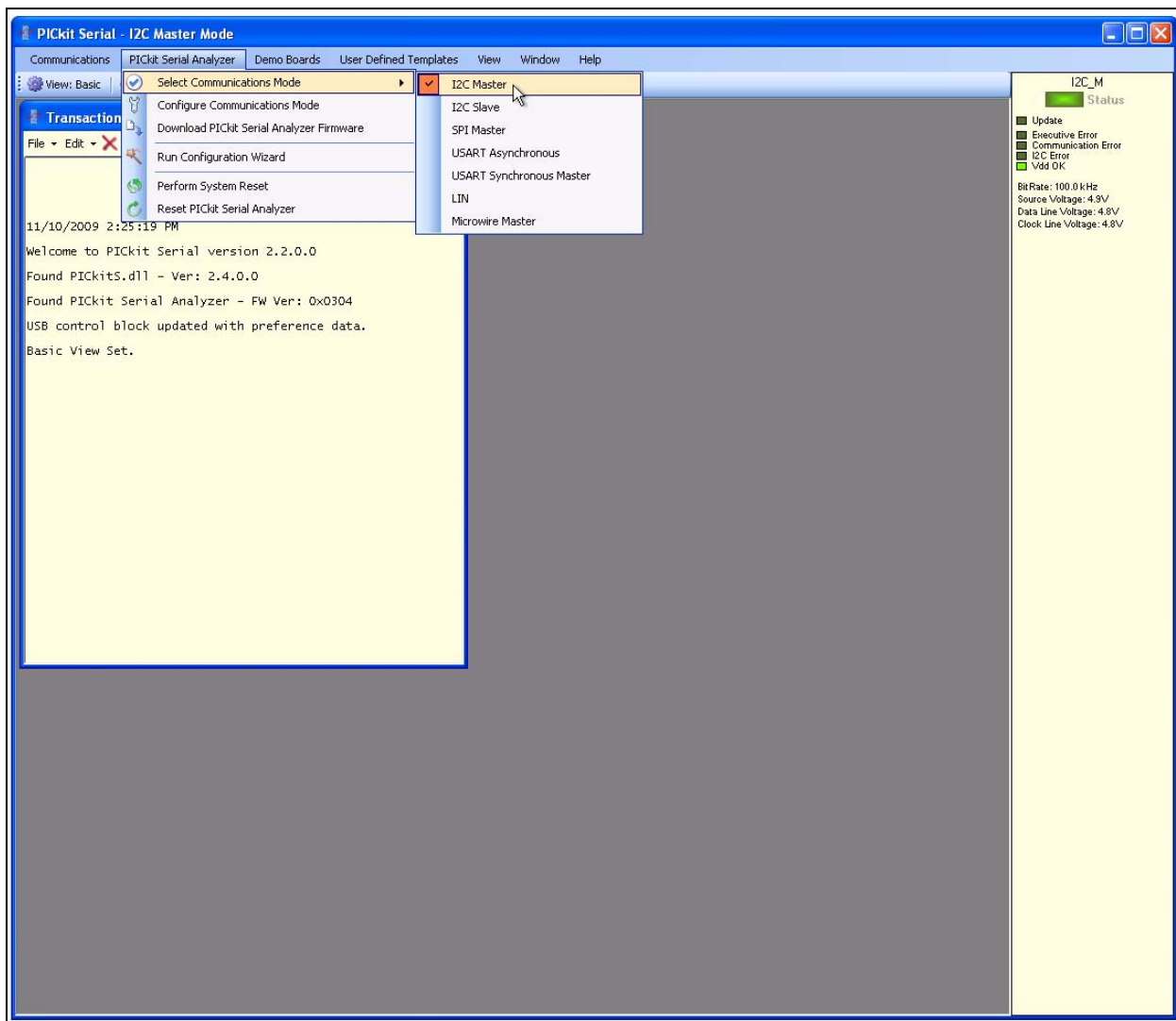


FIGURE 2-4: PICkit Serial Selecting Communications Mode.

Installation and Operation

Now we need to configure the mode that we have selected. Figure 2-5 shows how to select the communications mode. Select *PICKit Serial Analyzer* -> *Configure Communications Mode* menu item. This will open a new window.

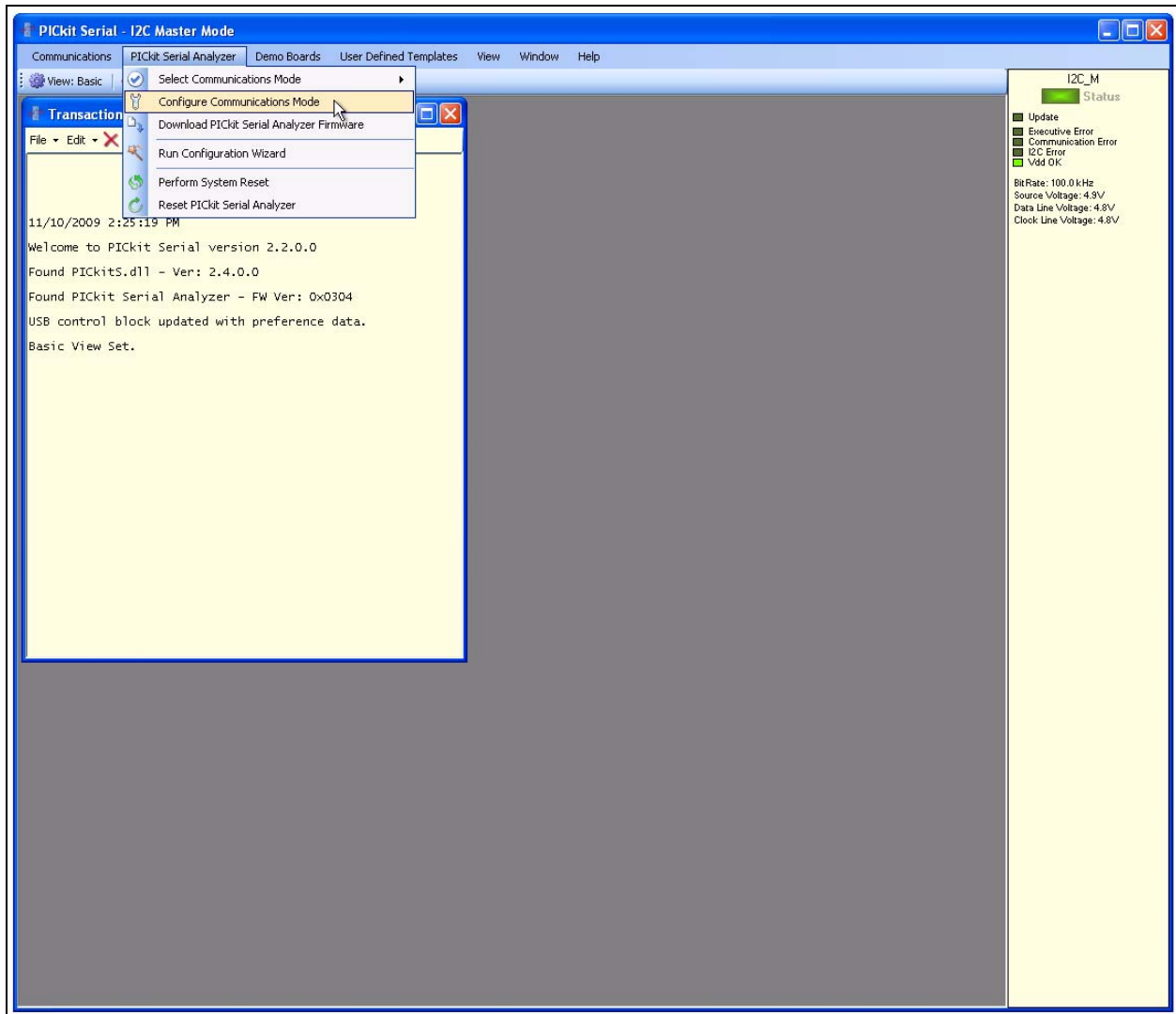


FIGURE 2-5: PICKit Serial Main Window at Startup.

MCP401XEV Evaluation Board User's Guide

Figure 2-6 shows the Configure Communications Mode window. Ensure that your window options and settings are the same as in this window, and then select the “Save Changes” button.

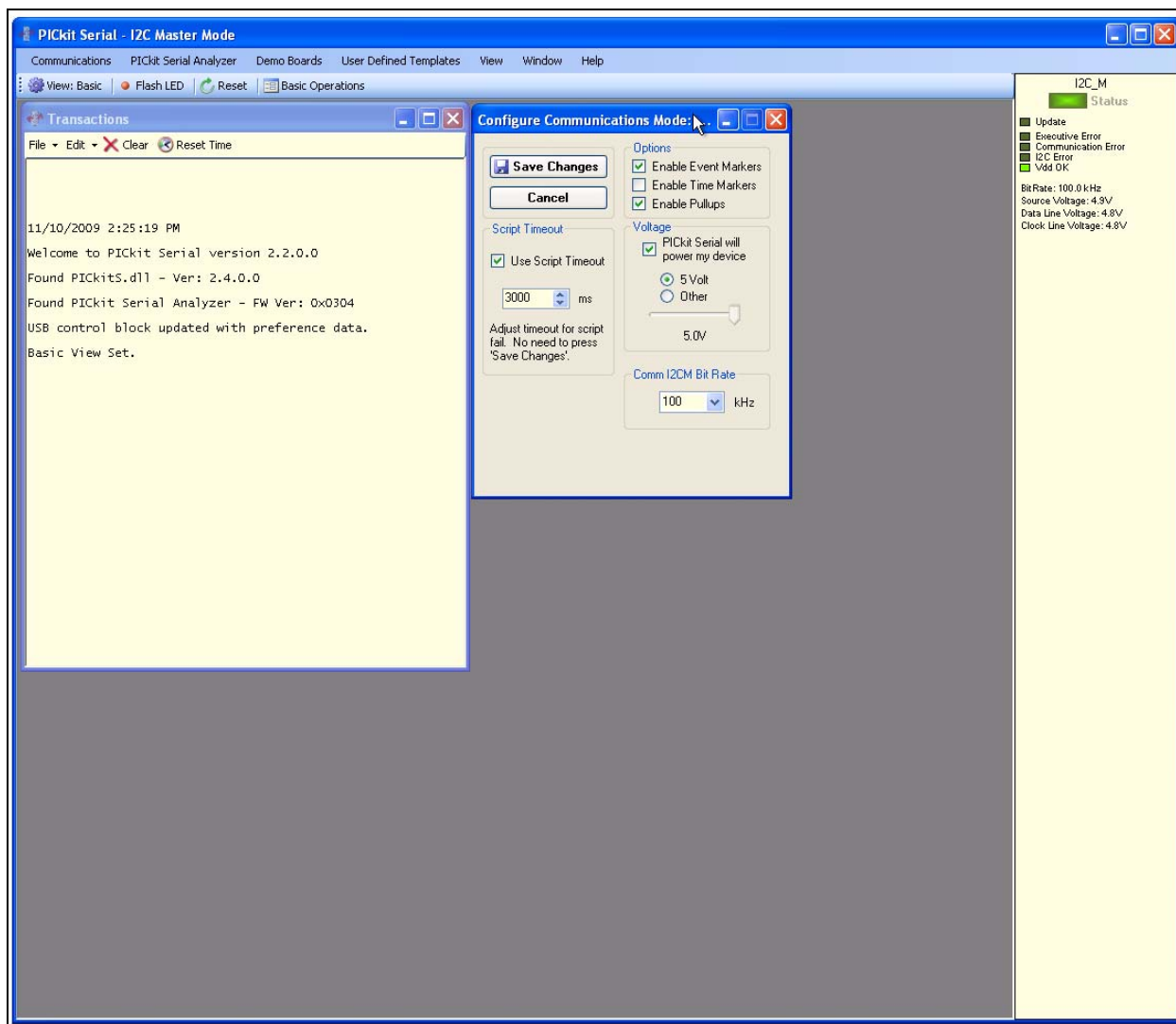


FIGURE 2-6: PICkit Serial Configure Communications Mode Window.

Installation and Operation

Now we are going to create some custom scripts to match the MCP40D18 read and write commands. To open the Script Builder window, select the Communications -> Script -> Script Builder menu item (see Figure 2-7).

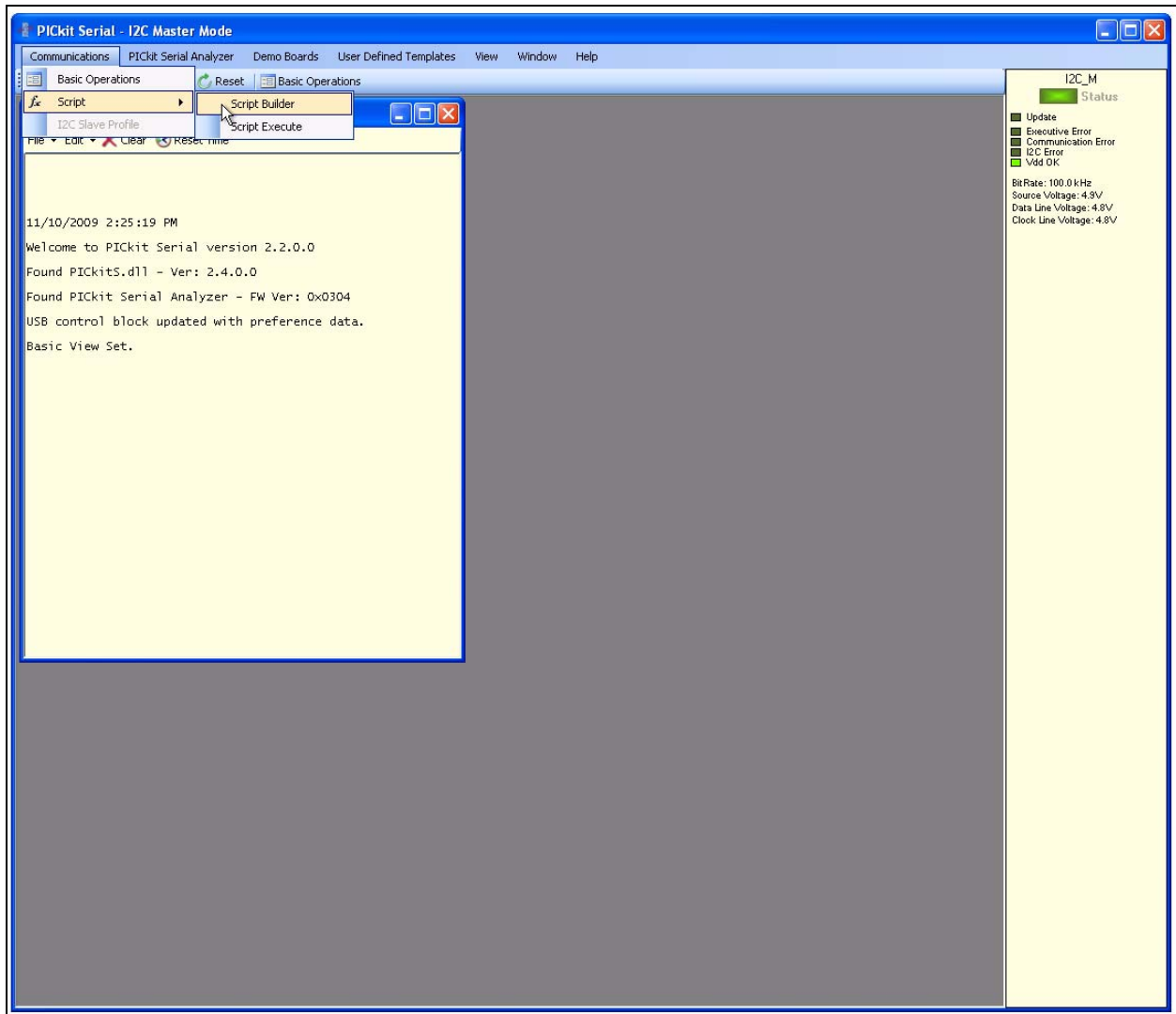


FIGURE 2-7: PICkit Serial - Script Bulider Menu Selection.

MCP401XEV Evaluation Board User's Guide

This will open the Script Builder window (Figure 2-8). In this window we see five Example I²C Master Scripts. We will use the ReadAddrA8 and WriteAddrA8 Example Script Files to create our User I²C Master Scripts.

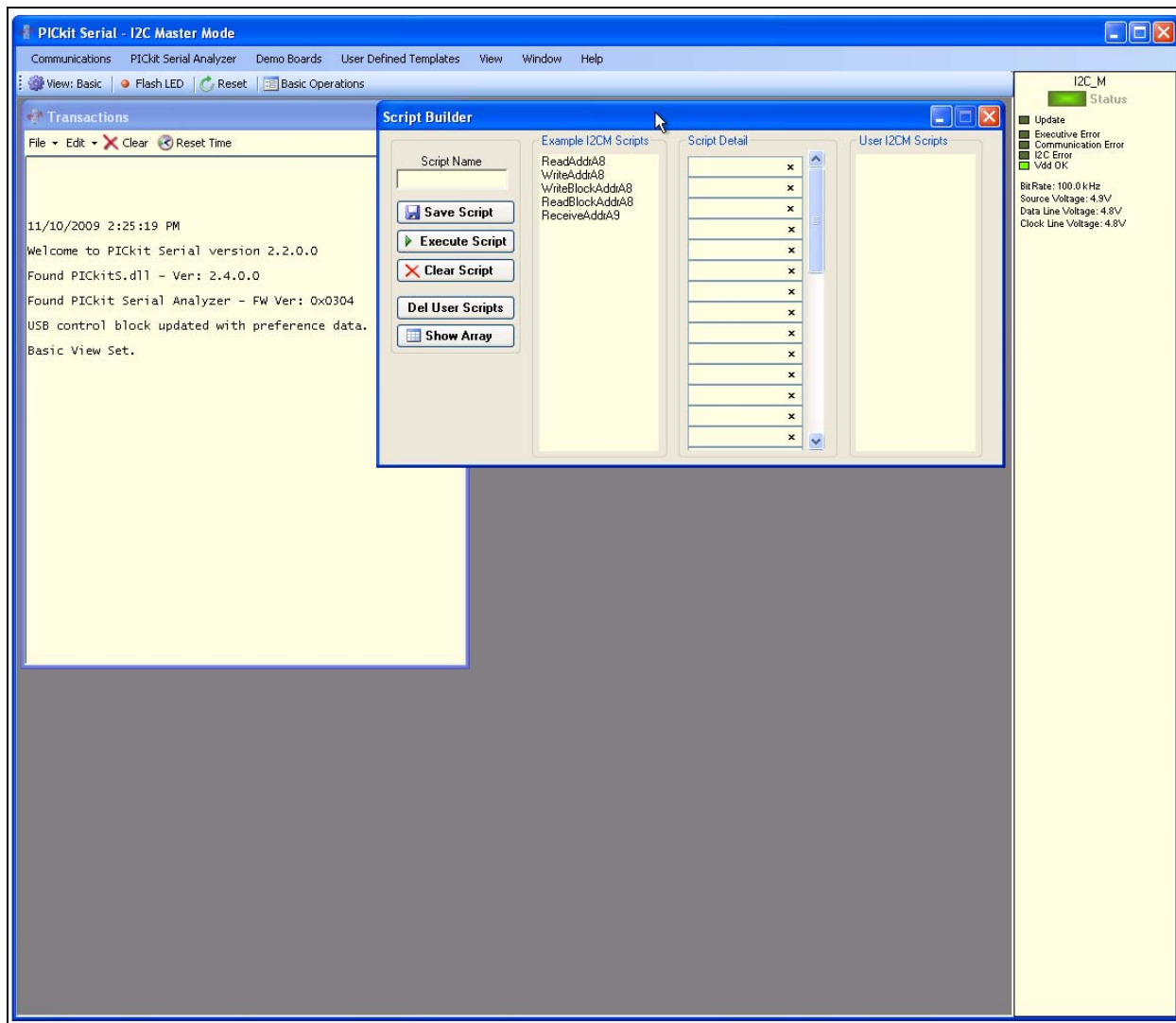


FIGURE 2-8: PICkit Serial Main Window at Startup.

Installation and Operation

Double clicking on the WriteAddrA8 Example I2CM Script will load the Script Details. Figure 2-9 shows what the values mean in the Script Details. These values are hex numbers.

The first value (03h), is the number of bytes that will be written. The second byte is the I²C Slave address (A8h) of the device with the Read/Write bit forced to '0' (an I²C write). The next two bytes (02h and 33h) are data bytes, and these value will be dependent on the slave I²C device protocol format and the desired operation.

The screenshot shows the 'Script Builder' window with the 'WriteAddrA8' script selected. The 'Script Detail' pane shows the following sequence of operations:

Operation	Value	Annotation
I2CSTART		
I2CWRTBYT	03	Number of Bytes that will be written
	A8	I ² C Slave Address + Read/Write bit (R/W bit = 0)
	02	Data Byte #1 (1)
	33	Data Byte #2 (1)
I2CSTOP		

Note 1: Function depends on devices I²C Protocol Format.

FIGURE 2-9: Example Write Script.

MCP401XEV Evaluation Board User's Guide

Double clicking on the ReadAddrA8 Example I2CM Script will load the Script Details. Figure 2-10 shows what the values mean in the Script Details. These values are hex numbers.

The first value (02h) is the number of bytes that will be written. The second byte is the I²C Slave address (A8h) of the device with the Read/Write bit forced to '0' (an I²C write). The next byte (00h) is a data byte, and the value will be dependent on the slave I²C device protocol format and the desired operation.

Now a I²C Restart bit is forced onto the I²C bus. The next byte (01h) indicates how many bytes will be read. The next bit (A9h) is the I²C Slave address (A8h) of the device with the Read/Write bit forced to '1' (an I²C read). The last byte (10h) is the number of bytes that will be read from the I²C Slave Device. The value will be dependent on the slave I²C device protocol format and the desired operation.

Data Byte #1 (1) I²C Slave Address + Read/Write bit (R/W bit = 0)

Number of Bytes that will be written

I²C Slave Address + Read/Write bit (R/W bit = 1)

Number of Bytes that will be written

of Data Bytes to Read (1)

Note 1: Function depends on devices I²C Protocol Format.

FIGURE 2-10: Example Read Script.

Installation and Operation

To create the write script for the MCP40D18, double click on the WriteAddrA8 script in the “Example I2CM Scripts” column. This loads the script (see Figure 2-9) into the “Script Detail” column. Modify the script details so that it looks like Figure 2-11. Then, in the “Script Name” write the name that you would like to call the script. We chose “MCP40D18_Write” (see Figure 2-11).

Then click on the “Save Script” button. This will save the script, which can then be accessed under the “User I2CM Scripts” column (see Figure 2-11). This script will be available when the GUI is opened in the future (unless the script has been cleared or deleted).

Note: The saved User Scripts are saved to a text file. The file is saved in the PICKit Serial Analyzer directory. This User Scripts file is called:
CommScripts.txt
The default install location of the file is:
C:\Program Files\Microchip\PICKit Serial Analyzer

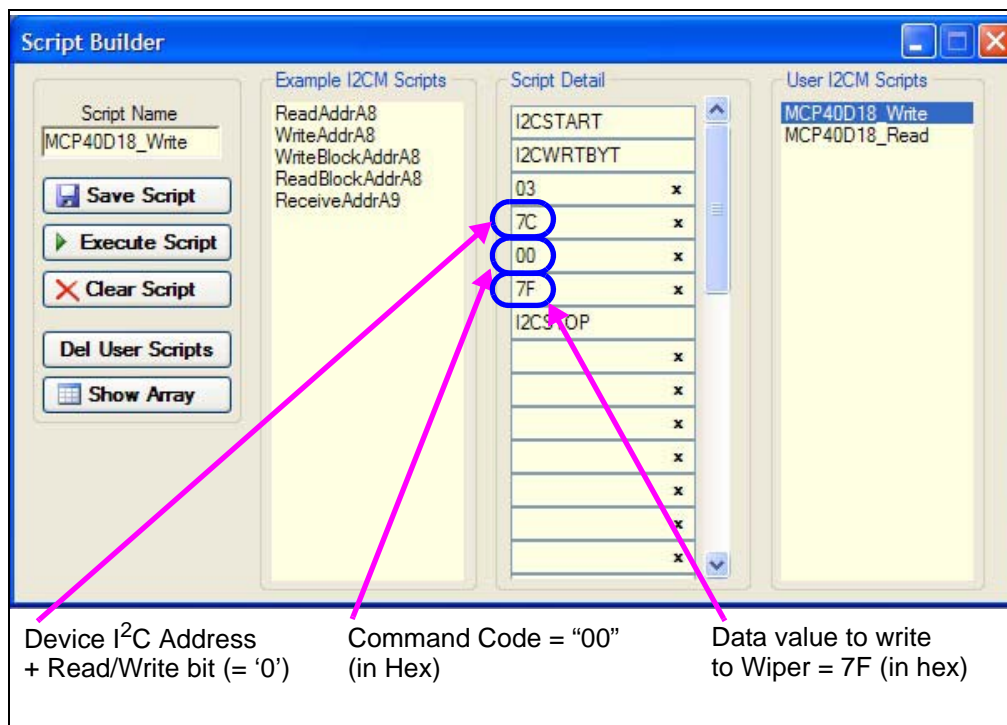


FIGURE 2-11: MCP40D18 Write Script File.

MCP401XEV Evaluation Board User's Guide

To create the read script for the MCP40D18, double click on the ReadAddrA8 script in the “Example I2CM Scripts” column. This loads the script (see Figure 2-10) into the “Script Detail” column. Modify the script details so that it looks like Figure 2-12. Then, in the “Script Name” write the name that you would like to call the script. We chose “MCP40D18_Read” (see Figure 2-12).

Then click on the “Save Script” button. This will save the script, which can then be accessed under the “User I2CM Script” column (see Figure 2-11). This script will be available when the GUI is opened in the future (unless the script has been cleared or deleted).

Note: The saved User Scripts are saved to a text file. The file is saved in the PICKit Serial Analyzer directory. This User Scripts file is called: CommScripts.txt
The default install location of the file is:
C:\Program Files\Microchip\PICKit Serial Analyzer

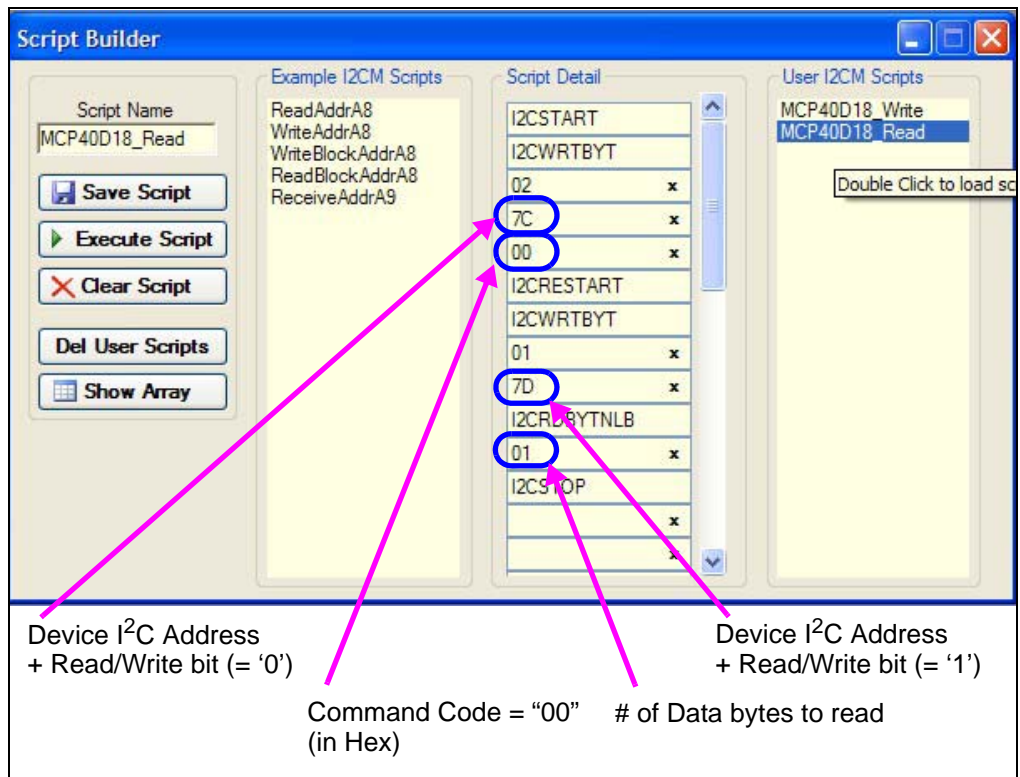


FIGURE 2-12: MCP40D18 Read Script File.

2.6 MCP40D18EV DEMO STEPS

This demo assumes that you know how to configure the PICKit Serial Analyzer for Master I²C operation. See **Section 2.5 “Configuring The PICKit Serial Analyzer”** or the PICKit Serial Analyzer User’s Guide (DS51647) for additional information.

1. Plug the PICKit Serial device into the PC’s USB port.
2. Plug the MCP40D18EV board into the PICKit Serial.
3. Start the PICKit Serial GUI.
4. Ensure the GUI is in Master I²C communication mode (see Figure 2-4).
5. Ensure that the Master I²C configuration is appropriately configured (see Figure 2-6).
6. Measure the wiper voltage on the MCP40D18EV board using an oscilloscope or digital multimeter. Measure voltage from the ground plane (GND) to the Wiper (P7). The voltage on the wiper should be $\sim V_{DD}/2$ ($\sim 2.5V$).
7. Open the Script Builder window (see Figure 2-7).
8. Double click on the “WriteAddrA8” script in the “Example I2CM Scripts column. This loads the Script Detail column (see Figure 2-9).
9. Modify the “Script Detail” so that it is like that shown in Figure 2-13.
10. Click on the “Execute Script” button. This executes the script shown in the script detail column, which will update the wiper value to 7Fh. The Wiper voltage will now be $\sim V_{DD}$ ($\sim 5V$). The Transaction window (see Figure 2-15) will be updated to indicate the execution of the script.
11. Select the “MCP40D18_Read” script in the User I2CM Scripts column. It should look like Figure 2-14.
12. Click on the “Execute Script” button. This executes the script shown in the script detail column. The Transaction window (see Figure 2-15) will be updated to indicate the execution of the script. The Data read is shown in the last line.
13. Select the “MCP40D18_Write” script in the User I2CM Scripts column. It should look like Figure 2-13.
14. Modify the data value to write to the wiper (see Figure 2-13) to 1Fh.
15. Click on the “Execute Script” button. This executes the script shown in the script detail column, which will update the wiper value to 1Fh (from 7Fh). The Wiper voltage will now be $\sim 1/4 * V_{DD}$ ($\sim 1.25V$). The Transaction window (see Figure 2-16) will be updated to indicate the execution of the script.
16. Select the “MCP40D18_Read” script in the User I2CM Scripts column. It should look like Figure 2-14.
17. Click on the “Execute Script” button. This executes the script shown in the script detail column. The Transaction window (see Figure 2-16) will be updated to indicate the execution of the script. The Data read is shown in the last line.
18. You can repeat the sequence of writing values to the wiper register or Writing then reading the values back.

NOTICE

If at any time during script execution, an error message is generated in the transaction window, it is good practice to reset the PICKit Serial Analyzer (PKSA). The PKSA can be reset using the “Reset” toolbar icon. Verify that subsequent script operations do not generate errors.

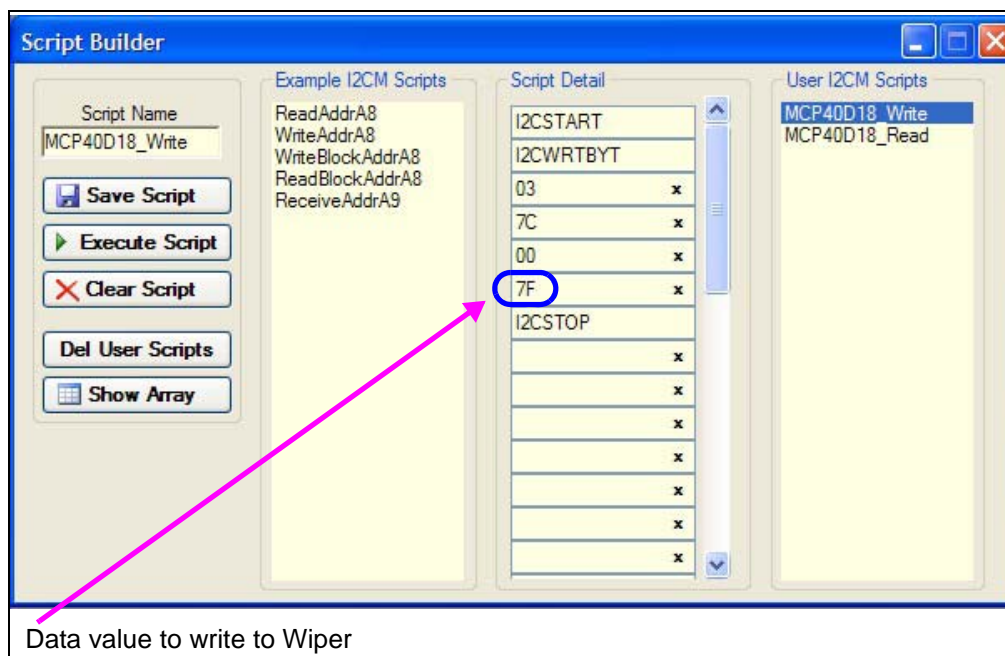


FIGURE 2-13: MCP40D18 Write Script File - Updating Wiper Value.

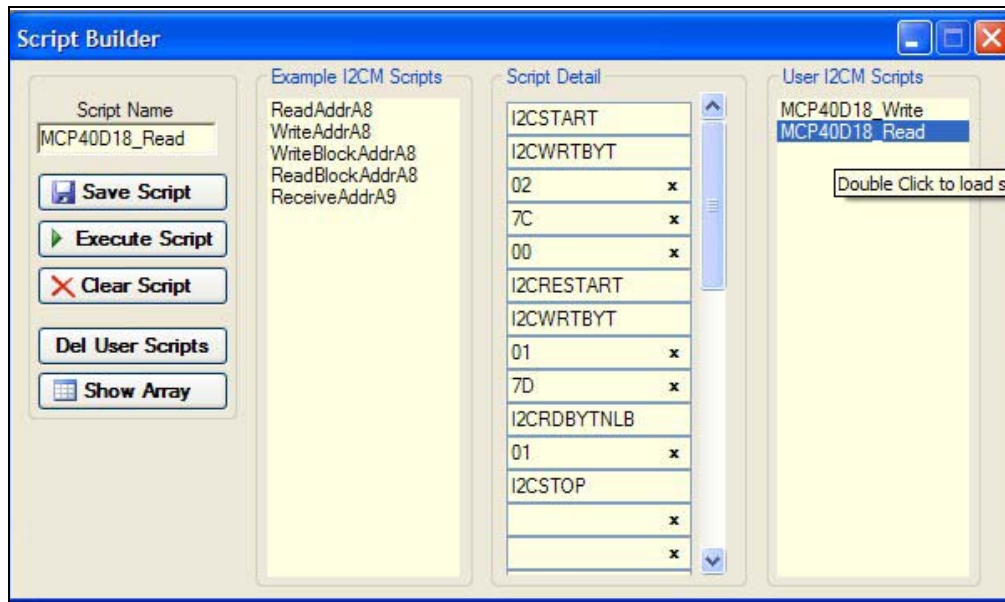


FIGURE 2-14: MCP40D18 Read Script File.

Installation and Operation

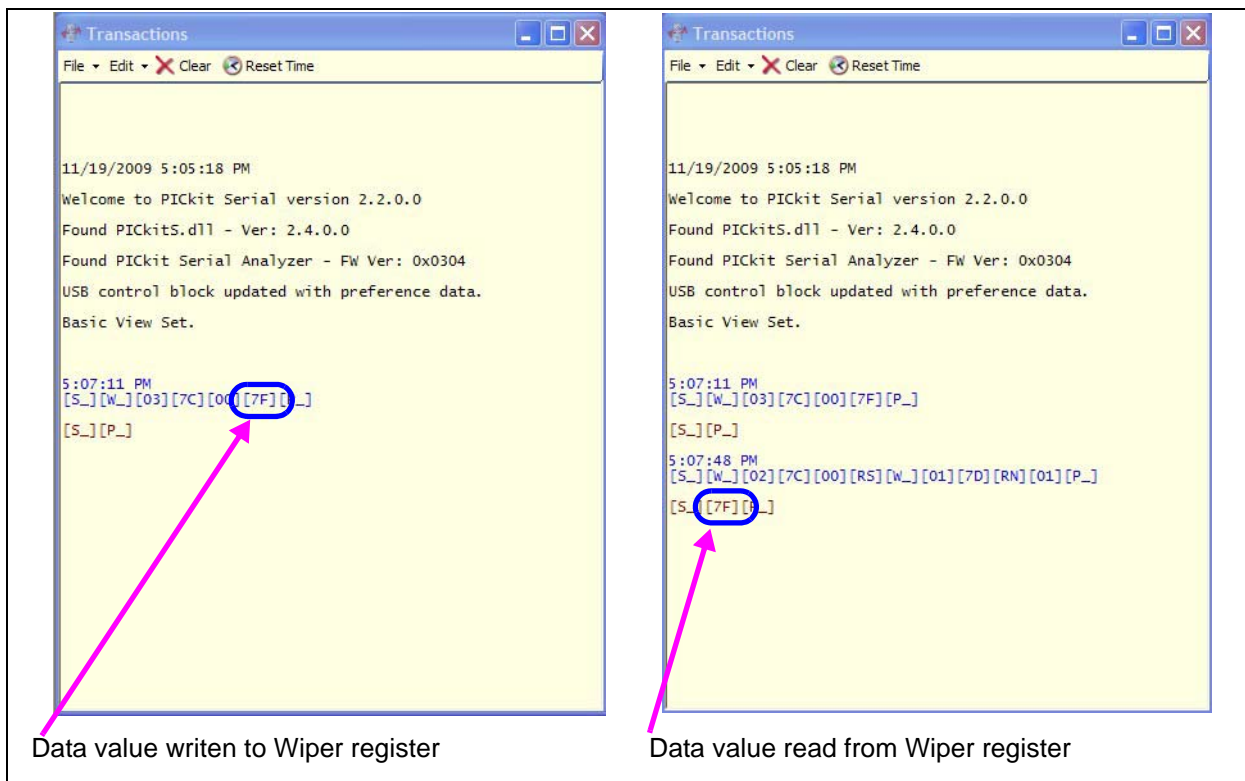


FIGURE 2-15: MCP40D18 Transaction Windows 1 and 2.

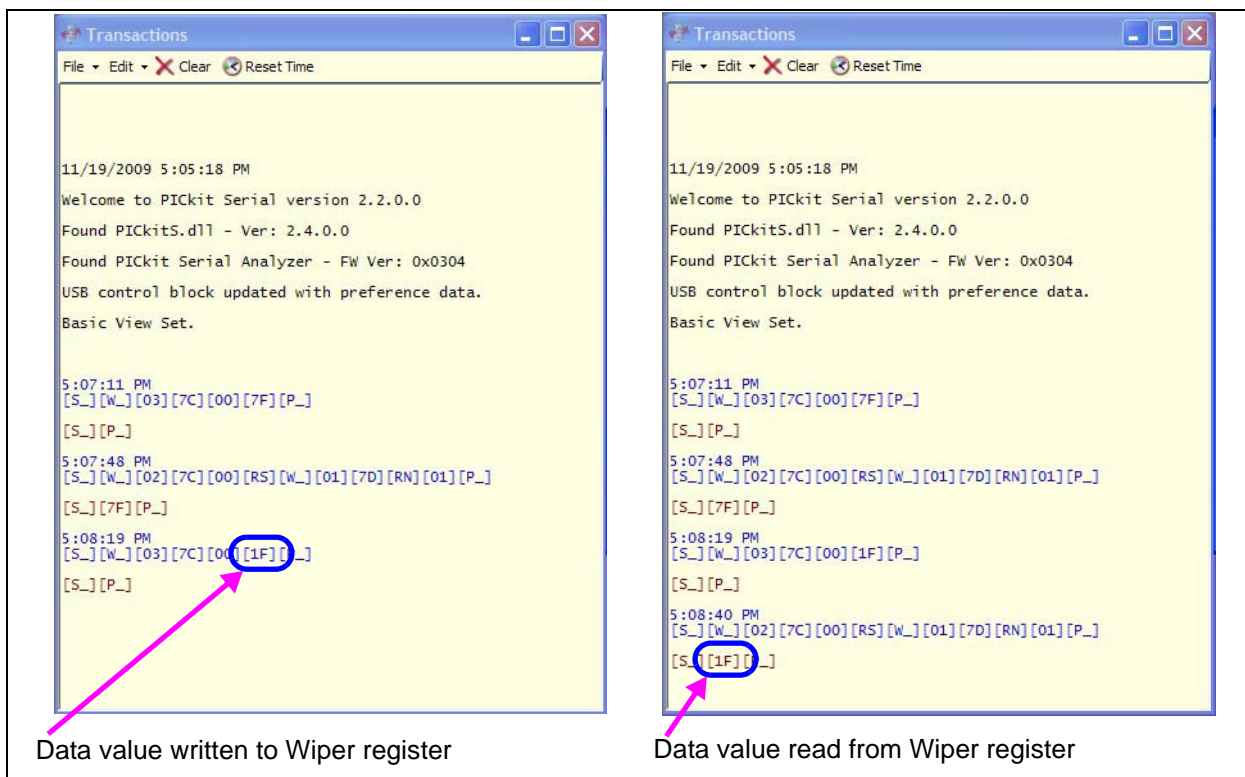


FIGURE 2-16: MCP40D18 Transaction Windows 3 and 4.

MCP401XEV Evaluation Board User's Guide

2.6.1 The SC70EV PCB and Supported Digital Potentiometers

Table 2-3 shows the current Digital Potentiometers that are supported by the SC70EV PCB.

TABLE 2-3: SC70EV PCB SUPPORTED DIGITAL POTENTIOMETERS

Device	SC70	SOT-23	DIP	Comment
MCP4012	—	Yes	—	SOT-23-6, uses Up/Down interface
MCP4013	—	Yes	—	SOT-23-6, uses Up/Down interface
MCP4014	—	Yes	—	SOT-23-5, uses Up/Down interface
MCP4017	Yes	—	—	
MCP40D17	Yes	—	—	
MCP4018	Yes	—	—	
MCP40D18	Yes	—	—	
MCP4019	Yes	—	—	
MCP40D19	Yes	—	—	
MCP4022	—	Yes	—	SOT-23-6, uses Up/Down interface
MCP4023	—	Yes	—	SOT-23-6, uses Up/Down interface
MCP4024	—	Yes	—	SOT-23-5, uses Up/Down interface
MCP4131	—	—	Yes	Has multiplexed SDI/SDO
MCP4132	—	—	Yes	
MCP4141	—	—	Yes	Has multiplexed SDI/SDO
MCP4142	—	—	Yes	
MCP4151	—	—	Yes	Has multiplexed SDI/SDO
MCP4152	—	—	Yes	
MCP4161	—	—	Yes	Has multiplexed SDI/SDO
MCP4162	—	—	Yes	
MCP41010	—	—	Yes	
MCP41050	—	—	Yes	
MCP41100	—	—	Yes	

Appendix A. Schematic and Layouts

A.1 INTRODUCTION

This appendix contains the schematics and layouts for the MCP401XEV Evaluation Board. Diagrams included in this appendix:

- Board - Schematic
- Board - Top Trace, Silk and Pads
- Board - Bottom Trace & Pads
- Board - Layer 2 Ground Plane
- Board - Layer 3 Power Plane
- Board - Bottom Silk, Trace and Pads

A.2 SCHEMATICS AND PCB LAYOUT

Board - Schematic shows the schematic of the MCP401XEV Evaluation Board. The layer order is shown in Figure A-1.

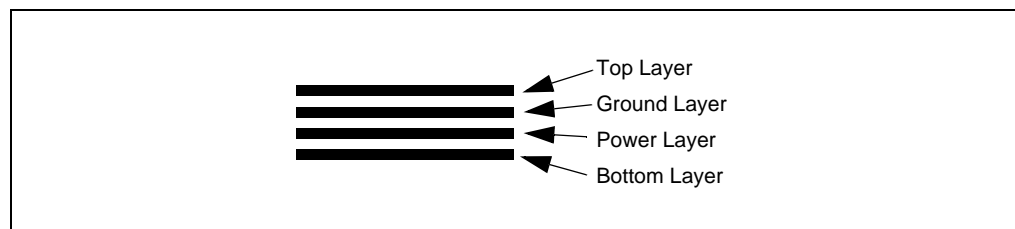
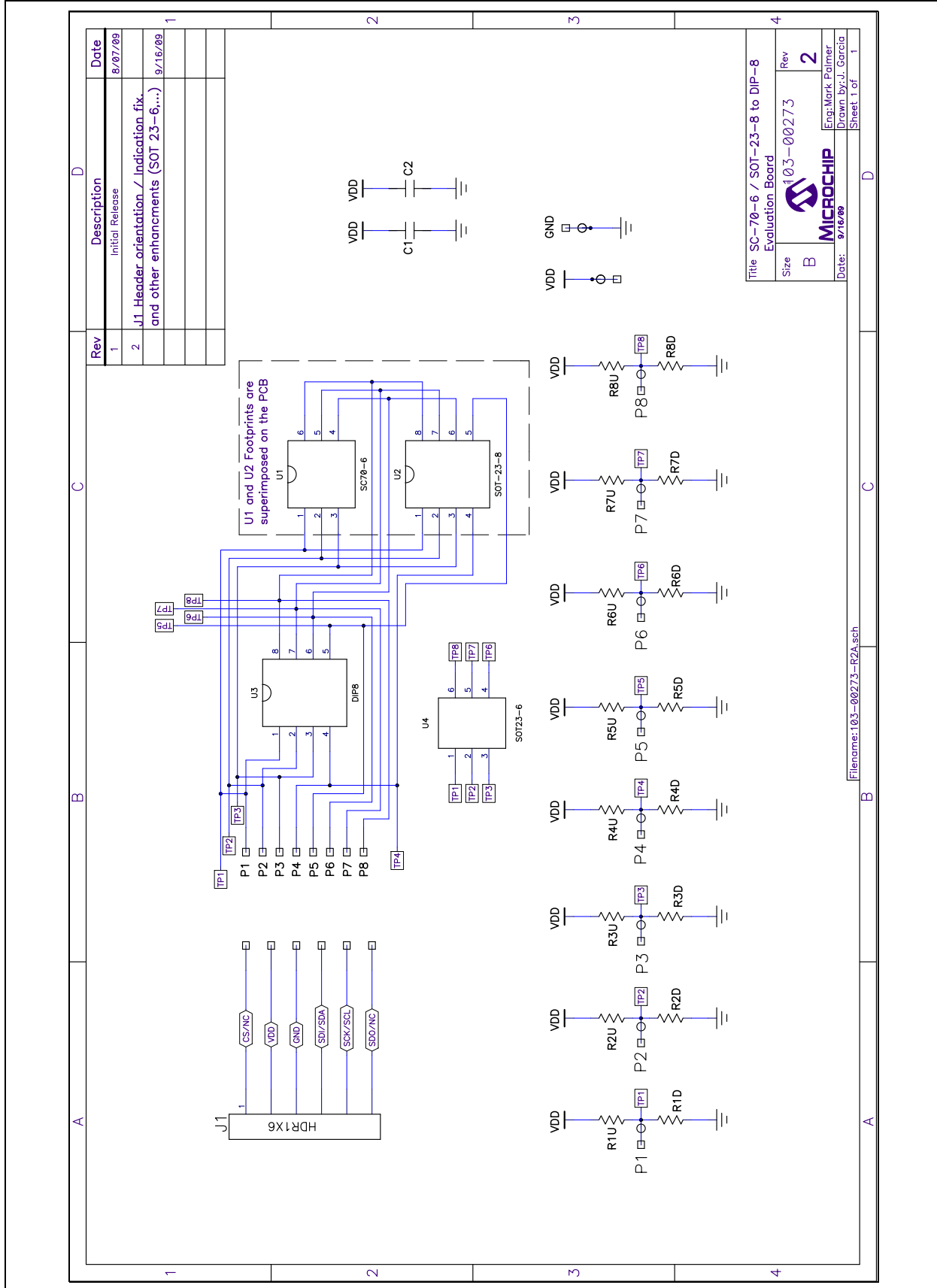
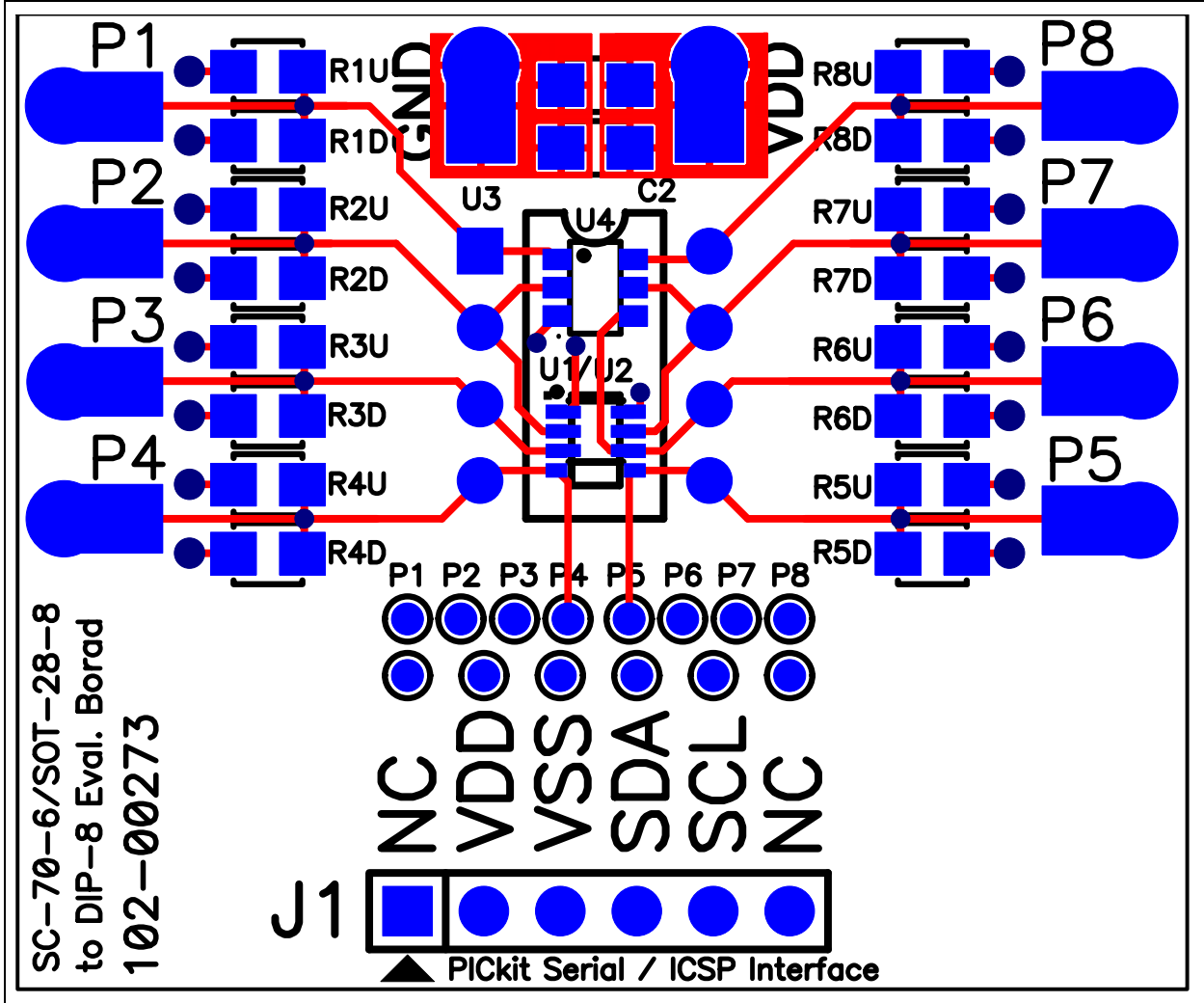


FIGURE A-1: *Layer Order.*

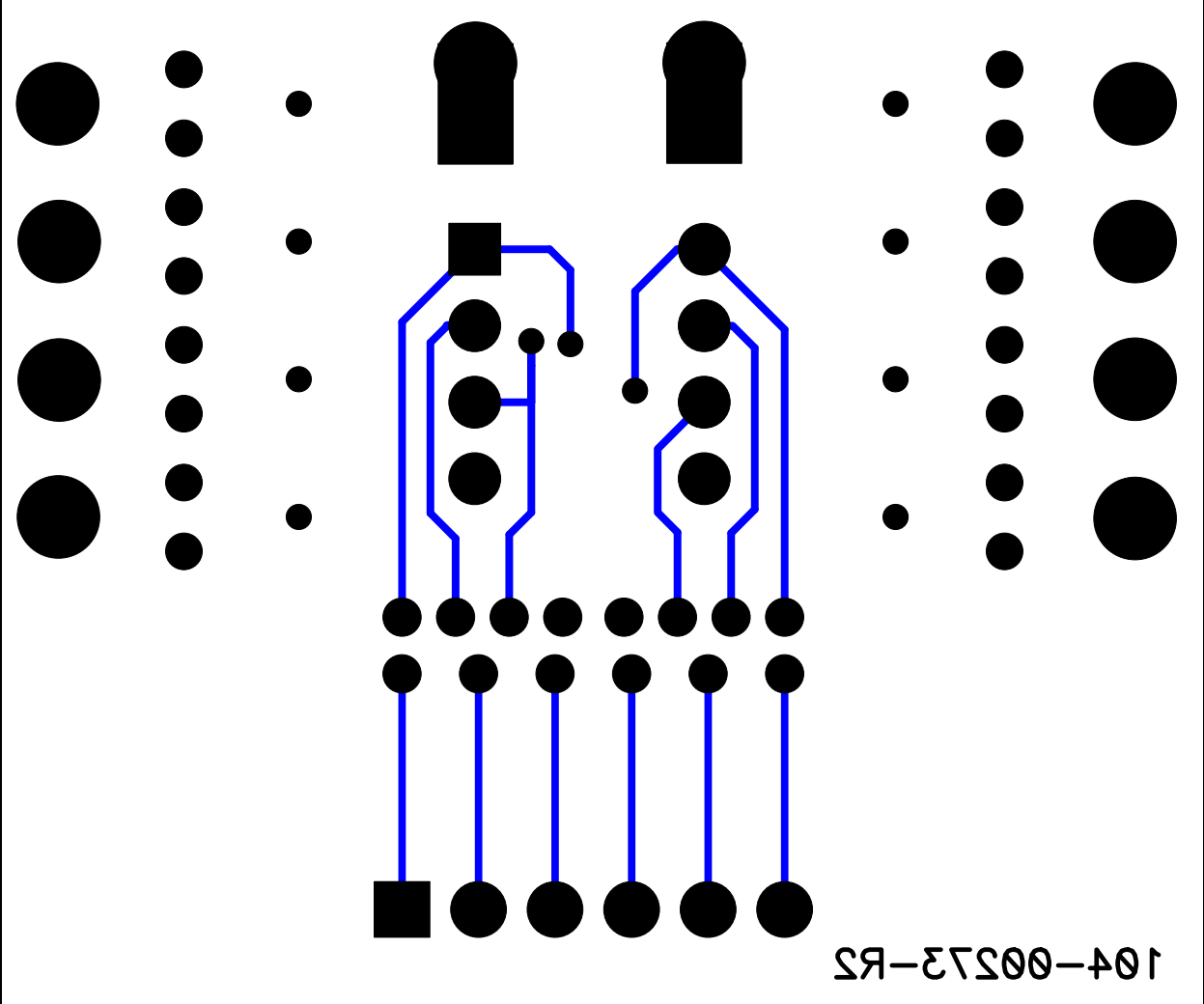
A.3 BOARD - SCHEMATIC



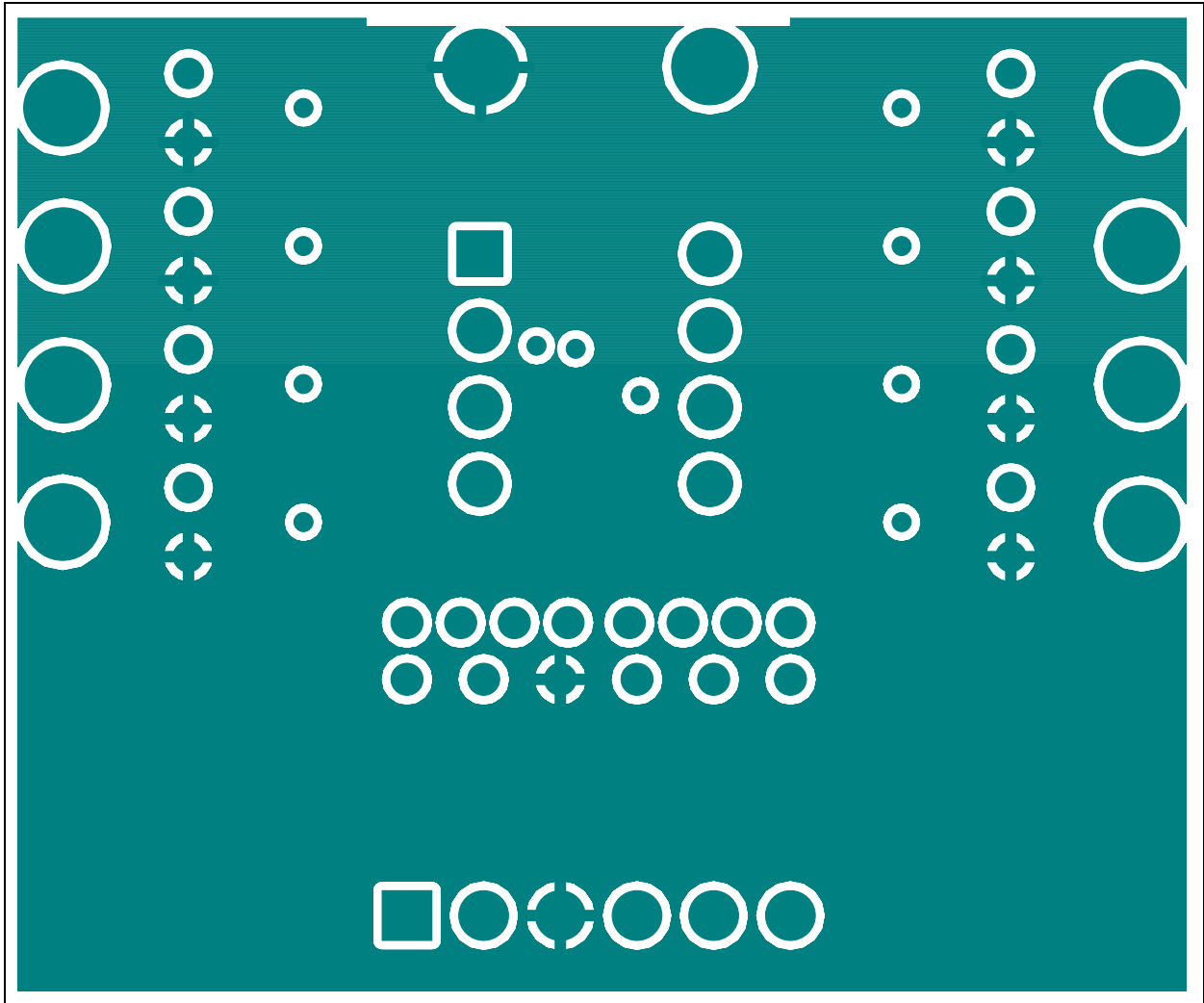
A.4 BOARD - TOP TRACE, SILK AND PADS



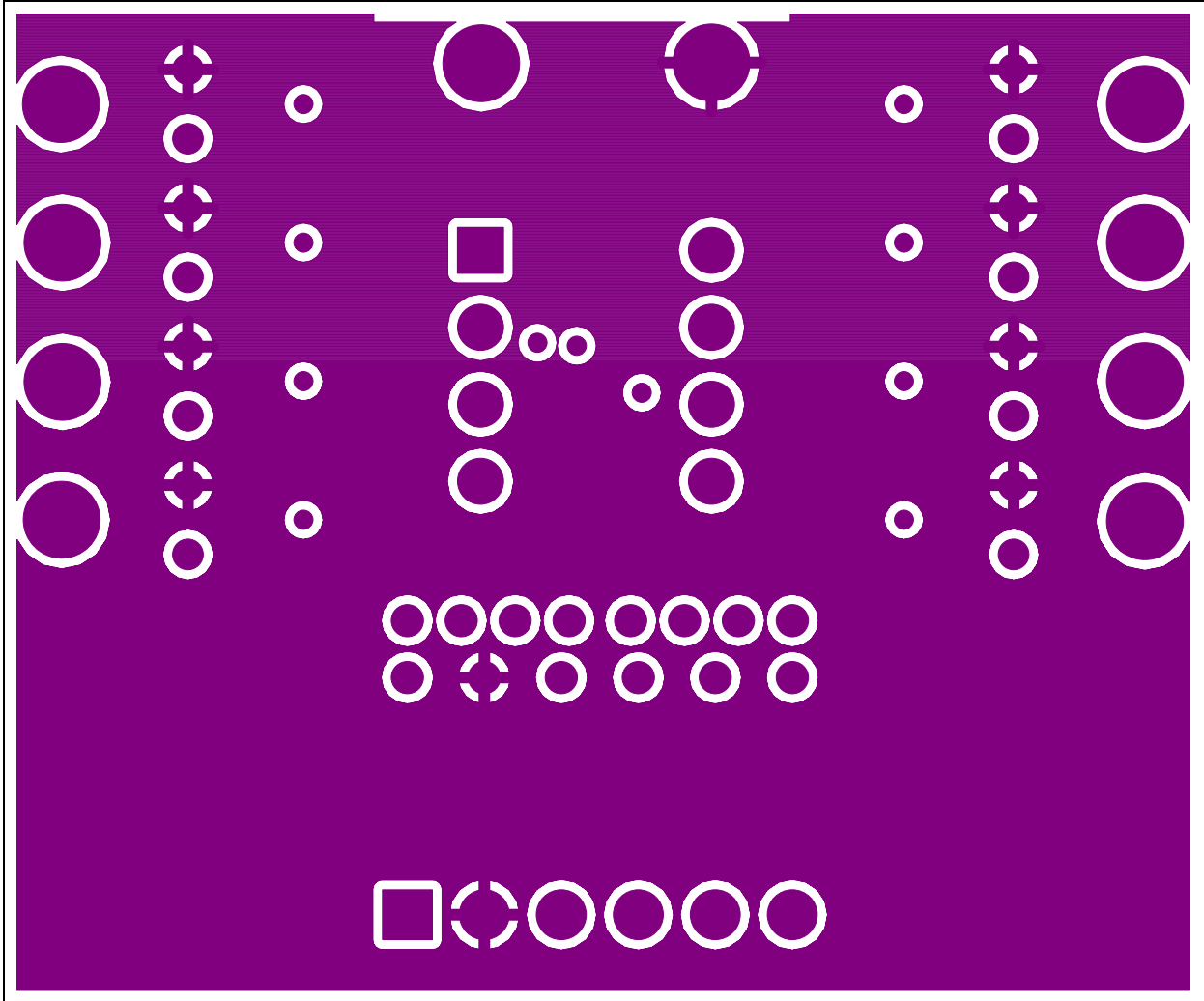
A.5 BOARD - BOTTOM TRACE & PADS



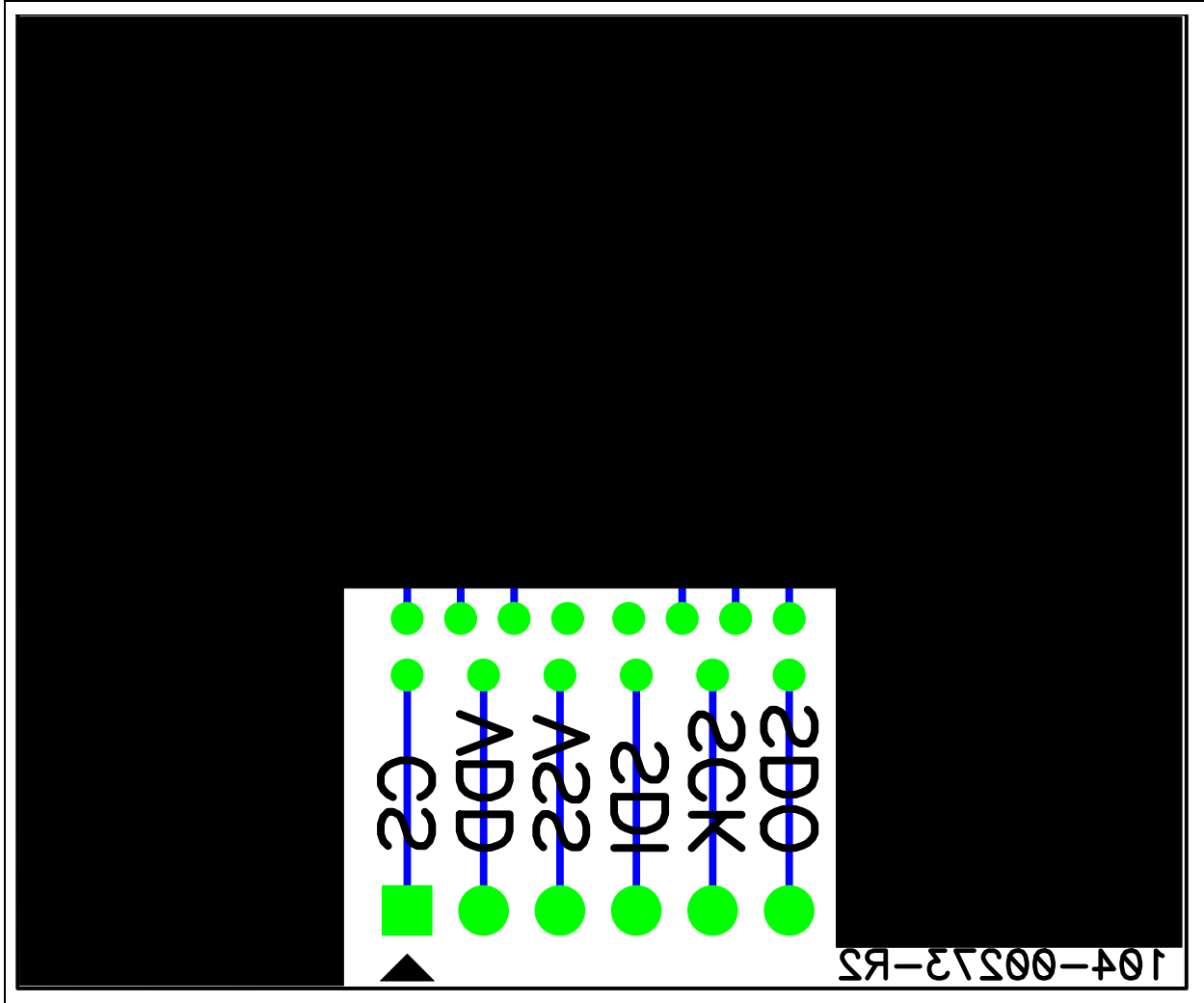
A.6 BOARD - LAYER 2 GROUND PLANE



A.7 BOARD - LAYER 3 POWER PLANE



A.8 BOARD - BOTTOM SILK, TRACE AND PADS



NOTES:

Appendix B. Bill of Materials (BOM)

TABLE B-1: BILL OF MATERIALS

Qty	Reference	Description	Manufacturer	Part Number
1	J1	CONN HEADER 6POS .100 R/A GOLD	Molex/Waldom Electronics Corp	22-28-8062
1	P7	TEST POINT PC MULTI PURPOSE ORG	Keystone Electronics®	5013
2	PCB	Note 1	Microchip Technology Inc.	104-00273 (Note 3)
3	R1U, R8U, R2D	RES 0.0 OHM 1/8W 5% 0805 SMD	Panasonic® - ECG	ERJ-6GEY0R00V
1	U1	7-Bit Single I2C™ (with Command Code) Digital POT with Volatile Memory in SC70	Microchip Technology Inc.	MCP40D18-103AE/LT
1	—	Blue Wire: J1 SCL via to P3 via J1 SDA via to P6 via	See Figure 2-2	—

- Note 1:** This assembly uses RoHS Compliant SC70-6 and SOT-23-6/8 to DIP-8 Evaluation Board.
- 2:** The components listed in this Bill of Materials are representative of the PCB assembly. The released BOM used in manufacturing uses all RoHS-compliant components.
- 3:** This part number is an internal Microchip number; if a customer wants to order, the SC70EV order number needs to be used.



WORLDWIDE SALES AND SERVICE

AMERICAS

Corporate Office
2355 West Chandler Blvd.
Chandler, AZ 85224-6199
Tel: 480-792-7200
Fax: 480-792-7277
Technical Support:
<http://support.microchip.com>
Web Address:
www.microchip.com

Atlanta
Duluth, GA
Tel: 678-957-9614
Fax: 678-957-1455

Boston
Westborough, MA
Tel: 774-760-0087
Fax: 774-760-0088

Chicago
Itasca, IL
Tel: 630-285-0071
Fax: 630-285-0075

Cleveland
Independence, OH
Tel: 216-447-0464
Fax: 216-447-0643

Dallas
Addison, TX
Tel: 972-818-7423
Fax: 972-818-2924

Detroit
Farmington Hills, MI
Tel: 248-538-2250
Fax: 248-538-2260

Kokomo
Kokomo, IN
Tel: 765-864-8360
Fax: 765-864-8387

Los Angeles
Mission Viejo, CA
Tel: 949-462-9523
Fax: 949-462-9608

Santa Clara
Santa Clara, CA
Tel: 408-961-6444
Fax: 408-961-6445

Toronto
Mississauga, Ontario,
Canada
Tel: 905-673-0699
Fax: 905-673-6509

ASIA/PACIFIC

Asia Pacific Office
Suites 3707-14, 37th Floor
Tower 6, The Gateway
Harbour City, Kowloon
Hong Kong
Tel: 852-2401-1200
Fax: 852-2401-3431

Australia - Sydney
Tel: 61-2-9868-6733
Fax: 61-2-9868-6755

China - Beijing
Tel: 86-10-8528-2100
Fax: 86-10-8528-2104

China - Chengdu
Tel: 86-28-8665-5511
Fax: 86-28-8665-7889

China - Chongqing
Tel: 86-23-8980-9588
Fax: 86-23-8980-9500

China - Hong Kong SAR
Tel: 852-2401-1200
Fax: 852-2401-3431

China - Nanjing
Tel: 86-25-8473-2460
Fax: 86-25-8473-2470

China - Qingdao
Tel: 86-532-8502-7355
Fax: 86-532-8502-7205

China - Shanghai
Tel: 86-21-5407-5533
Fax: 86-21-5407-5066

China - Shenyang
Tel: 86-24-2334-2829
Fax: 86-24-2334-2393

China - Shenzhen
Tel: 86-755-8203-2660
Fax: 86-755-8203-1760

China - Wuhan
Tel: 86-27-5980-5300
Fax: 86-27-5980-5118

China - Xian
Tel: 86-29-8833-7252
Fax: 86-29-8833-7256

China - Xiamen
Tel: 86-592-2388138
Fax: 86-592-2388130

China - Zhuhai
Tel: 86-756-3210040
Fax: 86-756-3210049

ASIA/PACIFIC

India - Bangalore
Tel: 91-80-3090-4444
Fax: 91-80-3090-4080

India - New Delhi
Tel: 91-11-4160-8631
Fax: 91-11-4160-8632

India - Pune
Tel: 91-20-2566-1512
Fax: 91-20-2566-1513

Japan - Yokohama
Tel: 81-45-471- 6166
Fax: 81-45-471-6122

Korea - Daegu
Tel: 82-53-744-4301
Fax: 82-53-744-4302

Korea - Seoul
Tel: 82-2-554-7200
Fax: 82-2-558-5932 or
82-2-558-5934

Malaysia - Kuala Lumpur
Tel: 60-3-6201-9857
Fax: 60-3-6201-9859

Malaysia - Penang
Tel: 60-4-227-8870
Fax: 60-4-227-4068

Philippines - Manila
Tel: 63-2-634-9065
Fax: 63-2-634-9069

Singapore
Tel: 65-6334-8870
Fax: 65-6334-8850

Taiwan - Hsin Chu
Tel: 886-3-6578-300
Fax: 886-3-6578-370

Taiwan - Kaohsiung
Tel: 886-7-536-4818
Fax: 886-7-536-4803

Taiwan - Taipei
Tel: 886-2-2500-6610
Fax: 886-2-2508-0102

Thailand - Bangkok
Tel: 66-2-694-1351
Fax: 66-2-694-1350

EUROPE

Austria - Wels
Tel: 43-7242-2244-39
Fax: 43-7242-2244-393

Denmark - Copenhagen
Tel: 45-4450-2828
Fax: 45-4485-2829

France - Paris
Tel: 33-1-69-53-63-20
Fax: 33-1-69-30-90-79

Germany - Munich
Tel: 49-89-627-144-0
Fax: 49-89-627-144-44

Italy - Milan
Tel: 39-0331-742611
Fax: 39-0331-466781

Netherlands - Drunen
Tel: 31-416-690399
Fax: 31-416-690340

Spain - Madrid
Tel: 34-91-708-08-90
Fax: 34-91-708-08-91

UK - Wokingham
Tel: 44-118-921-5869
Fax: 44-118-921-5820

X-ON Electronics

Largest Supplier of Electrical and Electronic Components

Click to view similar products for [Digital Potentiometer Development Tools](#) category:

Click to view products by [Microchip](#) manufacturer:

Other Similar products are found below :

[EVAL-AD5162SDZ](#) [EVAL-AD5232SDZ](#) [EVAL-AD5246DBZ](#) [EVAL-AD5258DBZ](#) [EVAL-AD5204SDZ](#) [EVAL-AD5259DBZ](#) [PIM523](#)
[MCP43XXEV](#) [MCP401XEV](#) [356](#) [2273](#) [4219](#) [4271](#) [4272](#) [4286](#) [4493](#) [4570](#) [EVAL-AD5111SDZ](#) [EVAL-AD5116EBZ](#) [EVAL-](#)
[AD5142ADBZ](#) [EVAL-AD5161DBZ](#) [EVAL-AD5242DBZ](#) [EVAL-AD5243SDZ](#) [EVAL-AD5270SDZ](#) [MAX5487PMB1#](#) [MCP402XEV](#)
[MCP42XXEV](#) [MCP46XXEV](#) [MIKROE-3402](#) [MIKROE-3691](#) [MIKROE-4110](#) [MIKROE-198](#) [MIKROE-2332](#) [MIKROE-2702](#) [MIKROE-](#)
[2863](#) [MIKROE-2873](#) [MIKROE-316](#) [MIKROE-3301](#) [MIKROE-923](#) [PRT-13144](#) [101020036](#) [EVAL-AD5110SDZ](#) [EVAL-AD5141DBZ](#)
[EVAL-AD5142DBZ](#) [EVAL-AD5143DBZ](#) [EVAL-AD5144DBZ](#) [EVAL-AD8403SDZ](#) [EVAL-AD5160DBZ](#) [EVAL-AD5245DBZ](#) [EVAL-](#)
[AD5254SDZ](#)