



**MCP42XX  
PICtail™ Plus  
Daughter Board  
User's Guide**

---

**Note the following details of the code protection feature on Microchip devices:**

- Microchip products meet the specification contained in their particular Microchip Data Sheet.
- Microchip believes that its family of products is one of the most secure families of its kind on the market today, when used in the intended manner and under normal conditions.
- There are dishonest and possibly illegal methods used to breach the code protection feature. All of these methods, to our knowledge, require using the Microchip products in a manner outside the operating specifications contained in Microchip's Data Sheets. Most likely, the person doing so is engaged in theft of intellectual property.
- Microchip is willing to work with the customer who is concerned about the integrity of their code.
- Neither Microchip nor any other semiconductor manufacturer can guarantee the security of their code. Code protection does not mean that we are guaranteeing the product as "unbreakable."

Code protection is constantly evolving. We at Microchip are committed to continuously improving the code protection features of our products. Attempts to break Microchip's code protection feature may be a violation of the Digital Millennium Copyright Act. If such acts allow unauthorized access to your software or other copyrighted work, you may have a right to sue for relief under that Act.

---

Information contained in this publication regarding device applications and the like is provided only for your convenience and may be superseded by updates. It is your responsibility to ensure that your application meets with your specifications. MICROCHIP MAKES NO REPRESENTATIONS OR WARRANTIES OF ANY KIND WHETHER EXPRESS OR IMPLIED, WRITTEN OR ORAL, STATUTORY OR OTHERWISE, RELATED TO THE INFORMATION, INCLUDING BUT NOT LIMITED TO ITS CONDITION, QUALITY, PERFORMANCE, MERCHANTABILITY OR FITNESS FOR PURPOSE. Microchip disclaims all liability arising from this information and its use. Use of Microchip devices in life support and/or safety applications is entirely at the buyer's risk, and the buyer agrees to defend, indemnify and hold harmless Microchip from any and all damages, claims, suits, or expenses resulting from such use. No licenses are conveyed, implicitly or otherwise, under any Microchip intellectual property rights.

**Trademarks**

The Microchip name and logo, the Microchip logo, Accuron, dsPIC, KEELOQ, KEELOQ logo, MPLAB, PIC, PICmicro, PICSTART, rPIC and SmartShunt are registered trademarks of Microchip Technology Incorporated in the U.S.A. and other countries.

FilterLab, Linear Active Thermistor, MXDEV, MXLAB, SEEVAL, SmartSensor and The Embedded Control Solutions Company are registered trademarks of Microchip Technology Incorporated in the U.S.A.

Analog-for-the-Digital Age, Application Maestro, CodeGuard, dsPICDEM, dsPICDEM.net, dsPICworks, dsSPEAK, ECAN, ECONOMONITOR, FanSense, In-Circuit Serial Programming, ICSP, ICEPIC, Mindi, MiWi, MPASM, MPLAB Certified logo, MPLIB, MPLINK, mTouch, PICkit, PICDEM, PICDEM.net, PICTail, PIC<sup>32</sup> logo, PowerCal, PowerInfo, PowerMate, PowerTool, REAL ICE, rLAB, Select Mode, Total Endurance, UNI/O, WiperLock and ZENA are trademarks of Microchip Technology Incorporated in the U.S.A. and other countries.

SQTP is a service mark of Microchip Technology Incorporated in the U.S.A.

All other trademarks mentioned herein are property of their respective companies.

© 2008, Microchip Technology Incorporated, Printed in the U.S.A., All Rights Reserved.

 Printed on recycled paper.

**QUALITY MANAGEMENT SYSTEM  
CERTIFIED BY DNV  
== ISO/TS 16949:2002 ==**

*Microchip received ISO/TS-16949:2002 certification for its worldwide headquarters, design and wafer fabrication facilities in Chandler and Tempe, Arizona; Gresham, Oregon and design centers in California and India. The Company's quality system processes and procedures are for its PIC<sup>®</sup> MCUs and dsPIC<sup>®</sup> DSCs, KEELOQ<sup>®</sup> code hopping devices, Serial EEPROMs, microperipherals, nonvolatile memory and analog products. In addition, Microchip's quality system for the design and manufacture of development systems is ISO 9001:2000 certified.*



# MCP42XX PICTAIL™ PLUS DAUGHTER BOARD USER'S GUIDE

## Table of Contents

<b>Preface</b> .....	<b>1</b>
Introduction.....	1
Document Layout .....	1
Conventions Used in this Guide .....	2
Recommended Reading.....	3
The Microchip Web Site .....	3
Customer Support .....	3
Document Revision History .....	3
<b>Chapter 1. Product Overview</b>	
1.1 Introduction .....	5
1.2 What is the MCP42XX PICtail Plus Daughter Board? .....	6
1.3 What the MCP42XX PICtail Plus Daughter Board Kit includes .....	7
<b>Chapter 2. Installation and Operation</b>	
2.1 Introduction .....	9
2.2 Features .....	9
2.3 Getting Started .....	10
2.4 Explorer 16 Daughter Demo Board Demos .....	14
<b>Appendix A. Schematic and Layouts</b>	
A.1 Introduction .....	29
A.2 Schematics and PCB Layout .....	29
A.3 Board - Schematic .....	30
A.4 Board – Top Silk-screen Layer .....	31
A.5 Board – Top Components + Silk-Screen .....	32
A.6 Board – Ground Layer .....	33
A.7 Board – Power Layer .....	34
A.8 Board – Bottom Layer .....	35
<b>Appendix B. Bill Of Materials (BOM)</b>	
<b>Appendix C. Board Testing</b>	
C.1 Introduction .....	39
C.2 What is Tested .....	40
C.3 What is NOT Tested .....	40
<b>Worldwide Sales and Service</b> .....	<b>42</b>

# MCP42XX PICtail™ Plus Daughter Board User's Guide

---

NOTES:



# MCP42XX PICTAIL™ PLUS DAUGHTER BOARD USER'S GUIDE

---

---

## Preface

---

---

### NOTICE TO CUSTOMERS

All documentation becomes dated, and this manual is no exception. Microchip tools and documentation are constantly evolving to meet customer needs, so some actual dialogs and/or tool descriptions may differ from those in this document. Please refer to our web site ([www.microchip.com](http://www.microchip.com)) to obtain the latest documentation available.

Documents are identified with a “DS” number. This number is located on the bottom of each page, in front of the page number. The numbering convention for the DS number is “DSXXXXA”, where “XXXX” is the document number and “A” is the revision level of the document.

For the most up-to-date information on development tools, see the MPLAB® IDE on-line help. Select the Help menu, and then Topics to open a list of available on-line help files.

## INTRODUCTION

This chapter contains general information that will be useful to know before using the MCP42XX PICtail Plus Daughter Board User's Guide. Items discussed in this chapter include:

- Document Layout
- Conventions Used in this Guide
- Recommended Reading
- The Microchip Web Site
- Customer Support
- Document Revision History

## DOCUMENT LAYOUT

This document describes how to use the MCP42XX PICtail Plus Daughter Board User's Guide as a development tool to emulate and debug firmware on a target board. The manual layout is as follows:

- **Chapter 1. “Product Overview”** – Important information about the MCP42XX PICtail Plus Daughter Board User's Guide.
- **Chapter 2. “Installation and Operation”** – Includes instructions on how to get started with this user's guide and a description of the user's guide.
- **Appendix A. “Schematic and Layouts”** – Shows the schematic and layout diagrams for the MCP42XX PICtail Plus Daughter Board User's Guide.
- **Appendix B. “Bill Of Materials (BOM)”** – Lists the parts used to build the MCP42XX PICtail Plus Daughter Board User's Guide.
- **Appendix C. “Board Testing”** – Describes the testing method for the MCP42XX PICtail Plus Daughter Board User's Guide and what aspects of the board are and are not tested.

# MCP42XX PICtail™ Plus Daughter Board User's Guide

## CONVENTIONS USED IN THIS GUIDE

This manual uses the following documentation conventions:

### DOCUMENTATION CONVENTIONS

Description	Represents	Examples
<b>Arial font:</b>		
Italic characters	Referenced books	<i>MPLAB® IDE User's Guide</i>
	Emphasized text	...is the <i>only</i> compiler...
Initial caps	A window	the Output window
	A dialog	the Settings dialog
	A menu selection	select Enable Programmer
Quotes	A field name in a window or dialog	"Save project before build"
Underlined, italic text with right angle bracket	A menu path	<u><i>File&gt;Save</i></u>
Bold characters	A dialog button	Click <b>OK</b>
	A tab	Click the <b>Power</b> tab
N'Rnnnn	A number in verilog format, where N is the total number of digits, R is the radix and n is a digit.	4'b0010, 2'hF1
Text in angle brackets < >	A key on the keyboard	Press <Enter>, <F1>
<b>Courier New font:</b>		
Plain Courier New	Sample source code	#define START
	Filenames	autoexec.bat
	File paths	c:\mcc18\h
	Keywords	_asm, _endasm, static
	Command-line options	-Opa+, -Opa-
	Bit values	0, 1
	Constants	0xFF, 'A'
Italic Courier New	A variable argument	<i>file.o</i> , where <i>file</i> can be any valid filename
Square brackets [ ]	Optional arguments	mcc18 [options] <i>file</i> [options]
Curly brackets and pipe character: {   }	Choice of mutually exclusive arguments; an OR selection	errorlevel {0 1}
Ellipses...	Replaces repeated text	var_name [, var_name...]
	Represents code supplied by user	void main (void) { ... }

## RECOMMENDED READING

This user's guide describes how to use MCP42XX PICtail Plus Daughter Board User's Guide. Other useful documents are listed below. The following Microchip documents are available and recommended as supplemental reference resources.

**AN1080 Application Note, "Understanding Digital Potentiometer Resistor Variations", DS01080**

These data sheets provides detailed information regarding the MCP41XX/42XX product family:

**MCP413x/415x/423x/425x Data Sheet, "7/8-Bit Single/Dual SPI Digital POT with Non-Volatile Memory", DS22059**

**MCP414x/416x/424x/426x Data Sheet, "7/8-Bit Single/Dual SPI Digital POT with Volatile Memory", DS22060**

## THE MICROCHIP WEB SITE

Microchip provides online support via our web site at [www.microchip.com](http://www.microchip.com). This web site is used as a means to make files and information easily available to customers. Accessible by using your favorite Internet browser, the web site contains the following information:

- **Product Support** – Data sheets and errata, application notes and sample programs, design resources, user's guides and hardware support documents, latest software releases and archived software
- **General Technical Support** – Frequently Asked Questions (FAQs), technical support requests, online discussion groups, Microchip consultant program member listing
- **Business of Microchip** – Product selector and ordering guides, latest Microchip press releases, listing of seminars and events, listings of Microchip sales offices, distributors and factory representatives

## CUSTOMER SUPPORT

Users of Microchip products can receive assistance through several channels:

- Distributor or Representative
- Local Sales Office
- Field Application Engineer (FAE)
- Technical Support

Customers should contact their distributor, representative or field application engineer (FAE) for support. Local sales offices are also available to help customers. A listing of sales offices and locations is included in the back of this document.

Technical support is available through the web site at: <http://support.microchip.com>

## DOCUMENT REVISION HISTORY

### Revision A (September 2008)

- Initial Release of this Document.

# MCP42XX PICtail™ Plus Daughter Board User's Guide

---

NOTES:





# MCP42XX PICTAIL™ PLUS DAUGHTER BOARD USER'S GUIDE

---

---

## Chapter 1. Product Overview

---

---

### 1.1 INTRODUCTION

The MCP42XX PICtail Plus Daughter Board demonstrates the features and abilities of Microchip's MCP41XX and MCP42XX Digital Potentiometers. This board is designed to exclusively use the MCP42XX devices.

The MCP41XX and MCP42XX are Digital Potentiometers with an SPI interface. These devices have either 7-bits or 8-bits of resolution, single or dual offering, and are available as either volatile or non-volatile memory options.

This board is designed to easily operate with any of the following:

- PIC24 Explorer 16 Demo Board (DM240001)
- PICkit™ Serial Analyzer (DV164122)
- Other PICDEM Demo Board that includes a PICtail Plus female connector

The use of the PIC24 Explorer 16 Demo Board (DM240001) will require a tool to program the supplied firmware into the PIC24FJ128GA010 device. The use of any other PICDEM Demo Board will require the user to modify the supplied "C" source program appropriately.

The use of the PICkit Serial Analyzer will require the PC GUI interface program to control the command and data sent to the MCP42XX devices serial port. The PICkit Serial Analyzer GUI may be used, or the provided dedicated GUI may be used. The source code for this dedicated GUI is available, but not supported (as is).

This chapter covers the following topics:

- What is the MCP42XX PICtail Plus Daughter Board?
- What the MCP42XX PICtail Plus Daughter Board Kit includes

# MCP42XX PICtail™ Plus Daughter Board User's Guide

## 1.2 WHAT IS THE MCP42XX PICTAIL PLUS DAUGHTER BOARD?

The MCP42XX PICtail Plus Daughter Board is used to demonstrate the use of Digital Potentiometers. This board is designed to be used in conjunction with either the PIC24 Explorer 16 Demo Board or the PICkit™ Serial Analyzer. Figure 1-1 shows the boards component placement and the purpose of the jumpers.

The board has an MCP4261-103 (10 kΩ) device for evaluation. This device is in the TSSOP package (U2). This is a dual 8-bit Non-Volatile Potentiometer device. The MCP4261 uses an SPI interface and can be controlled via the PICkit Serial Analyzer interface (J1) or via the PICtail Plus interface (J3).

When using the PICtail Plus interface, the  $\overline{CS}$  voltages can be taken to a  $V_{IHH}$  level for high voltage commands. This is done by controlling the selection of the analog switch device (U1).

Jumpers allow the Terminal A and Terminal B voltages to be tied to AVDD and VSS, or come from an external source.

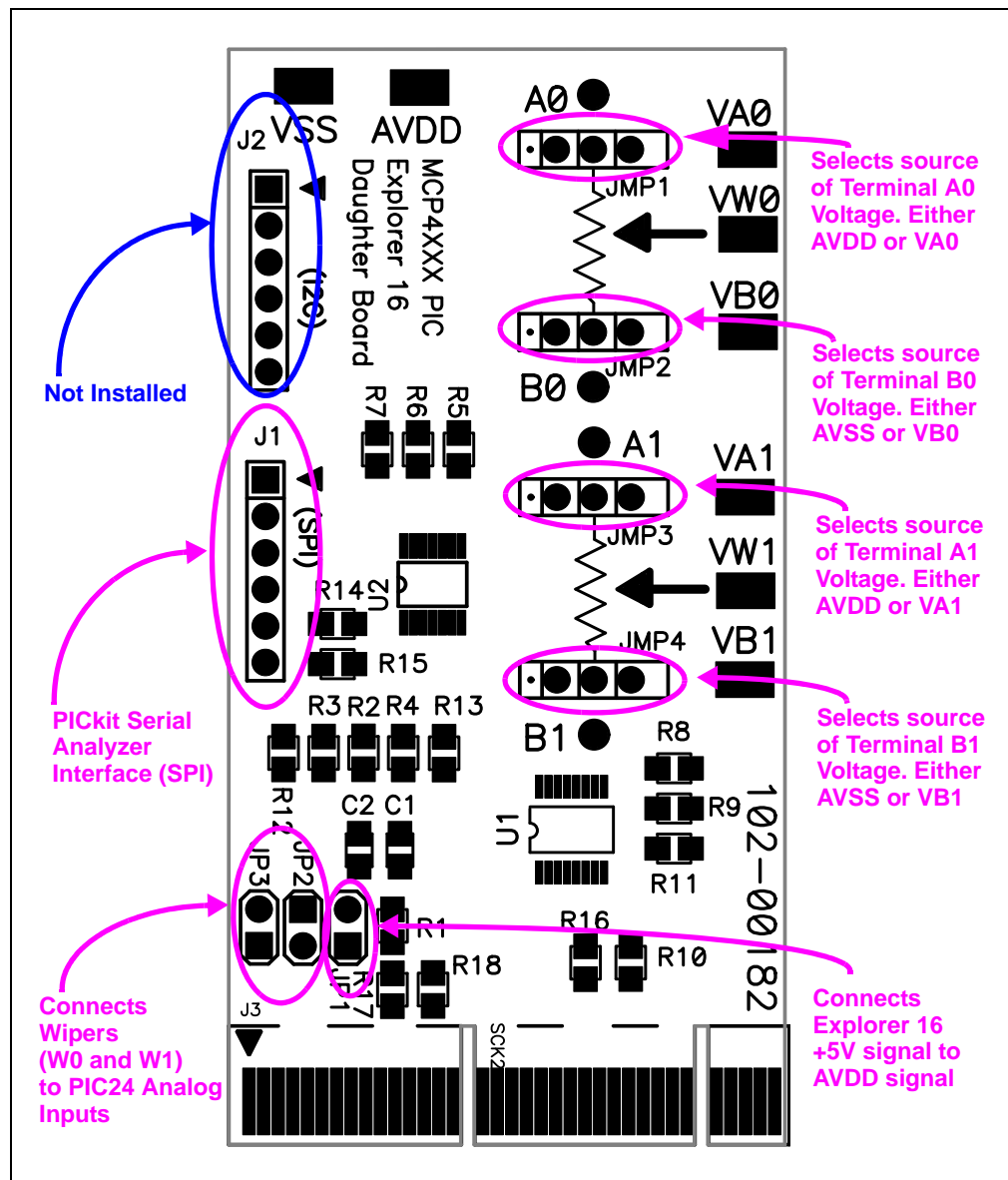


FIGURE 1-1: MCP42XX Explorer 16 Daughter Board Demo Board Connectors.

Some of the features of the board include:

- PICkit Serial Analyzer Interface (J1)
- PICtail Plus Interface (J3)
- MAX4582L High Voltage analog switch to allow  $\overline{CS}$  voltage to be selected as one of four voltages ( $V_{SS}$ , 3.3V, 5.0V, or 9.0V) - High Voltage command support
- Jumpers (JP2:JP3) to connect Wiper pins (W0 and W1) to PICDEM Analog Channels
- Jumper (JP1) to allow AVDD to be driven by external power supply while connected to PICDEM board or PICkit Serial Analyzer
- Jumpers to allow Terminal A pins to be connected to  $AV_{DD}$  or  $V_{Ax}$  pad
- Jumpers to allow Terminal B pins to be connected to  $V_{SS}$  or  $V_{Bx}$  pad
- Connection point for easy connection to Resistor Network Terminal pins

## 1.3 WHAT THE MCP42XX PICTAIL PLUS DAUGHTER BOARD KIT INCLUDES

This MCP42XX PICtail Plus Daughter Board Kit includes:

- One MCP42XX PICtail Plus Daughter Board, 102-00182
- Analog and Interface Products Demonstration Boards CD-ROM (DS21912)
  - MCP42XX PICtail™ Plus Daughter Board User's Guide, (DS51759)
  - PICkit Serial Analyzer PC GUI (executable and source code) - supplied "As Is"

# MCP42XX PICtail™ Plus Daughter Board User's Guide

---

NOTES:



# MCP42XX PICTAIL™ PLUS DAUGHTER BOARD USER'S GUIDE

---

---

## Chapter 2. Installation and Operation

---

---

### 2.1 INTRODUCTION

The MCP42XX PICtail Plus Daughter Board is used to demonstrate the operation of Digital Potentiometer. The operation of the MCP41XX devices is similar to the MCP42XX devices. Therefore, this demo board can be used as a development platform for either device family.

This board is designed to be used in conjunction with either the PIC24 Explorer 16 Demo Board or the PICkit™ Serial Analyzer.

### 2.2 FEATURES

This board supports the following features

- Each digital potentiometers Terminal A pin can be individually connected to either  $AV_{DD}$  or the corresponding  $V_{Ax}$  pad
- Each digital potentiometers Terminal B pin can be individually connected to either  $AV_{SS}$  or the corresponding  $V_{Bx}$  pad
- Can control the voltage on the MCP4261's CS pin to either  $V_{SS}$ , 3.3V, 5.0V, or 9.0V via control signals from the PICtail Plus interface (J3)
- Can Control the MCP4261 via the PICkit™ Serial Analyzer interface (J1)
- PIC24 can monitor the voltage levels of the MCP4261's W0 and W1 pins
- Supplied with a "C" program that demonstrates normal and high voltage commands
- Demonstrates a split rail application, with digital logic at 3.3V and analog operation at 5.0V

# MCP42XX PICtail™ Plus Daughter Board User's Guide

## 2.3 GETTING STARTED

Figure 2-1 shows a simplified circuit for the MCP42XX PICtail Plus Daughter Board. The layout of the board is shown in Figure 2-3. This board can be operated with either a PICDEM board with a PICtail Plus header or the PICkit Serial Analyzer. The MCP42XX PICtail Plus Daughter Board kit comes with firmware for the Explorer 16 Starter Kit (DV164033). The layout of this board is shown in Figure 2-5.

The MCP42XX PICtail Plus Daughter Board supports the following Microchip Digital Potentiometer devices; which allows demonstration of all MCP42XX devices

- MCP42X1

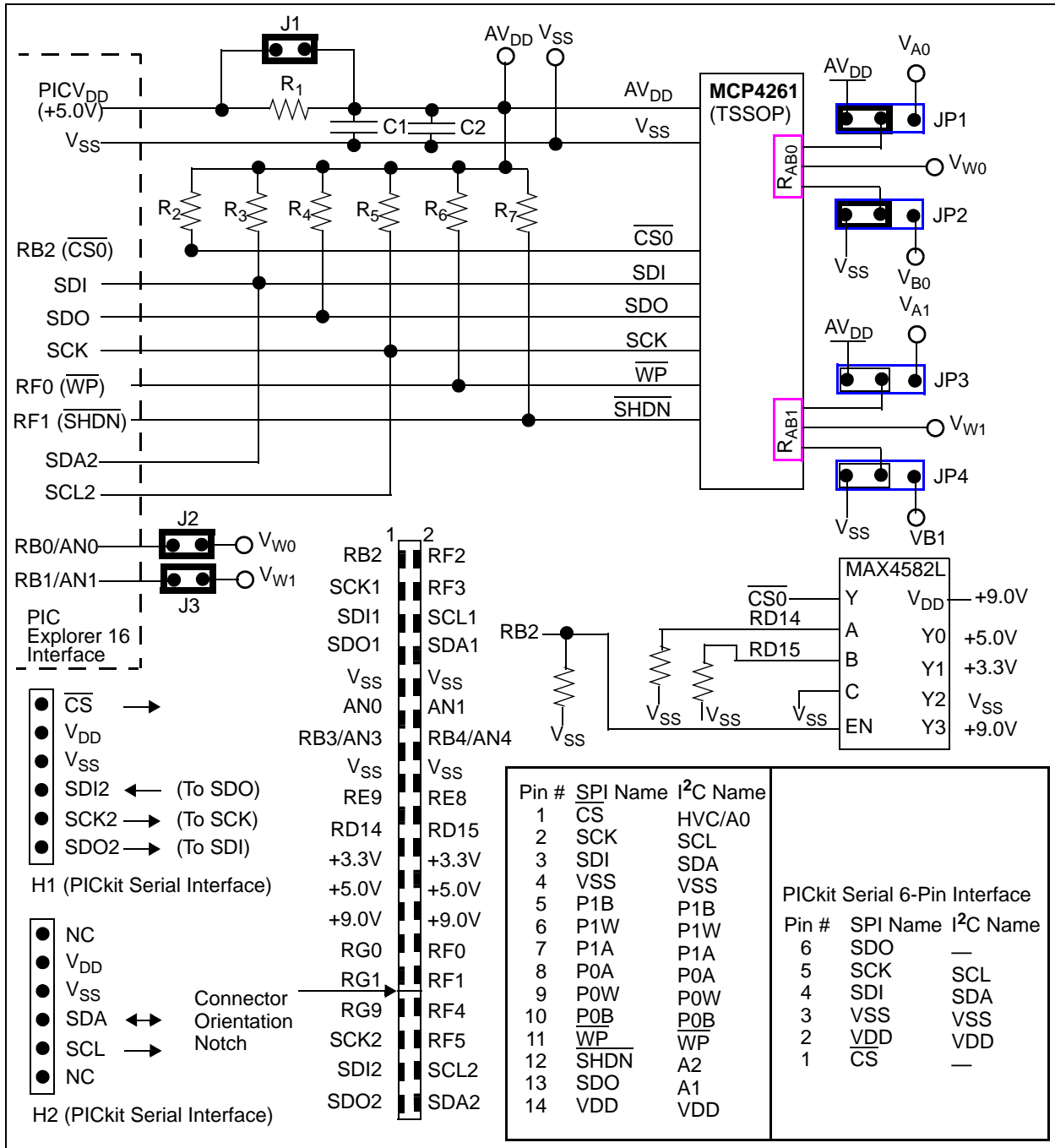


FIGURE 2-1: MCP41XX Simplified Circuit.

## 2.3.1 The Hardware

Figure 2-2 shows the component placement of the MCP42XX PICtail Plus Daughter Board as well as the operation of the board jumpers.

The V<sub>Ax</sub> and V<sub>Bx</sub> pads allow an external voltage source to be applied to the device's desired Terminal A or Terminal B pin. The V<sub>Wx</sub> pad is directly connected to the corresponding Terminal W pin, which makes it easy to measure the resulting voltage. The AVDD pad allows an external power supply to power the board, which should improve performance compared to powering the board via the PICtail Plus header or the PICkit Serial Analyzer.

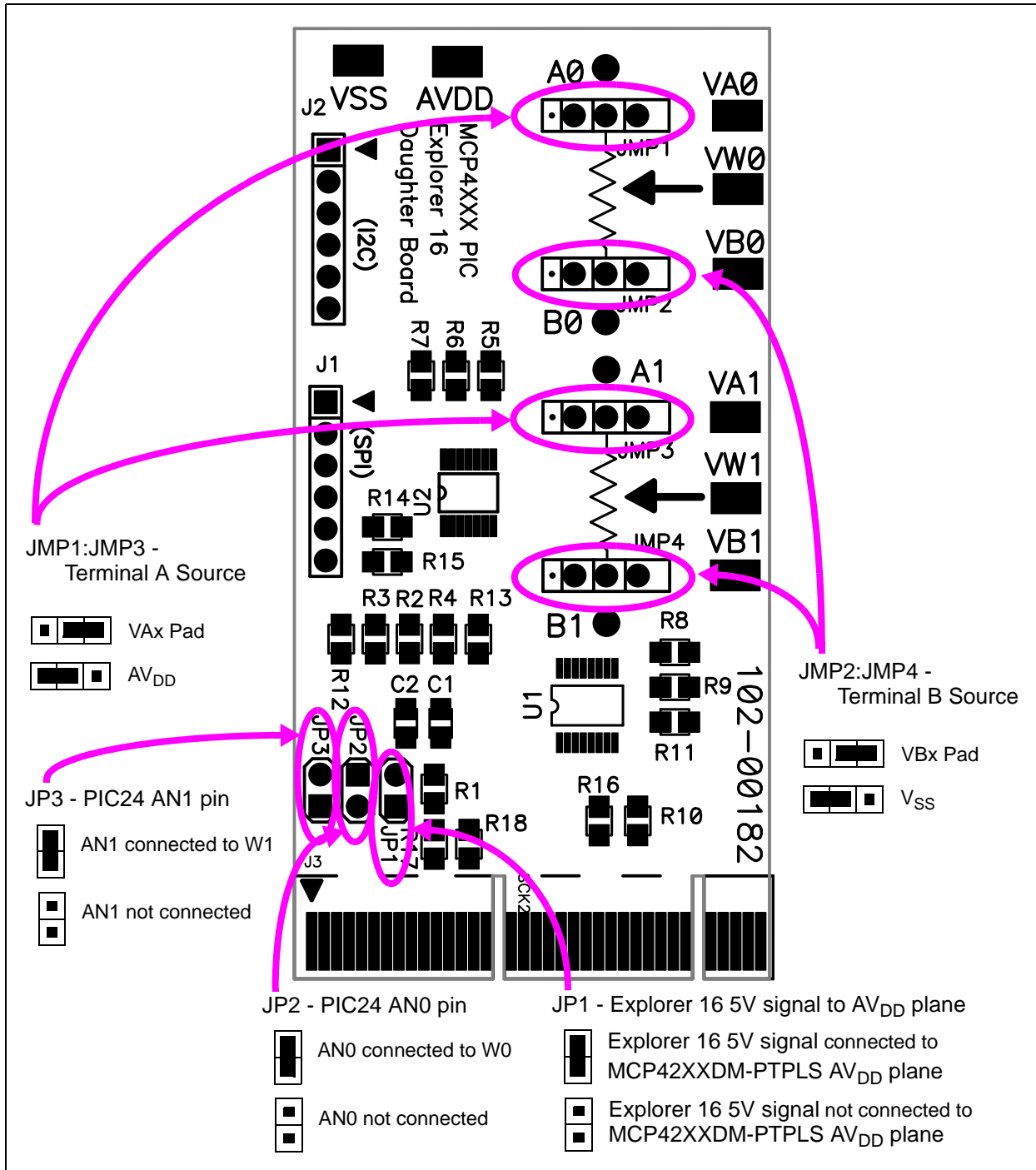
The Printed Circuit Board (PCB) has been designed for the support of the SPI and I<sup>2</sup>C device families (MCP42XX and MCP46XX), so not all components are installed for the SPI version of the demo board.

### 2.3.1.1 JUMPER DESCRIPTIONS

Figure 2-2 shows the function of the demo board jumpers. Some of the jumpers configure the voltage source of the Terminal A and Terminal B pins while others determine the connection of the W pins. Lastly there is a jumper to ensure that drive conflicts do not occur if an external power supply is being used for the AVDD voltage.

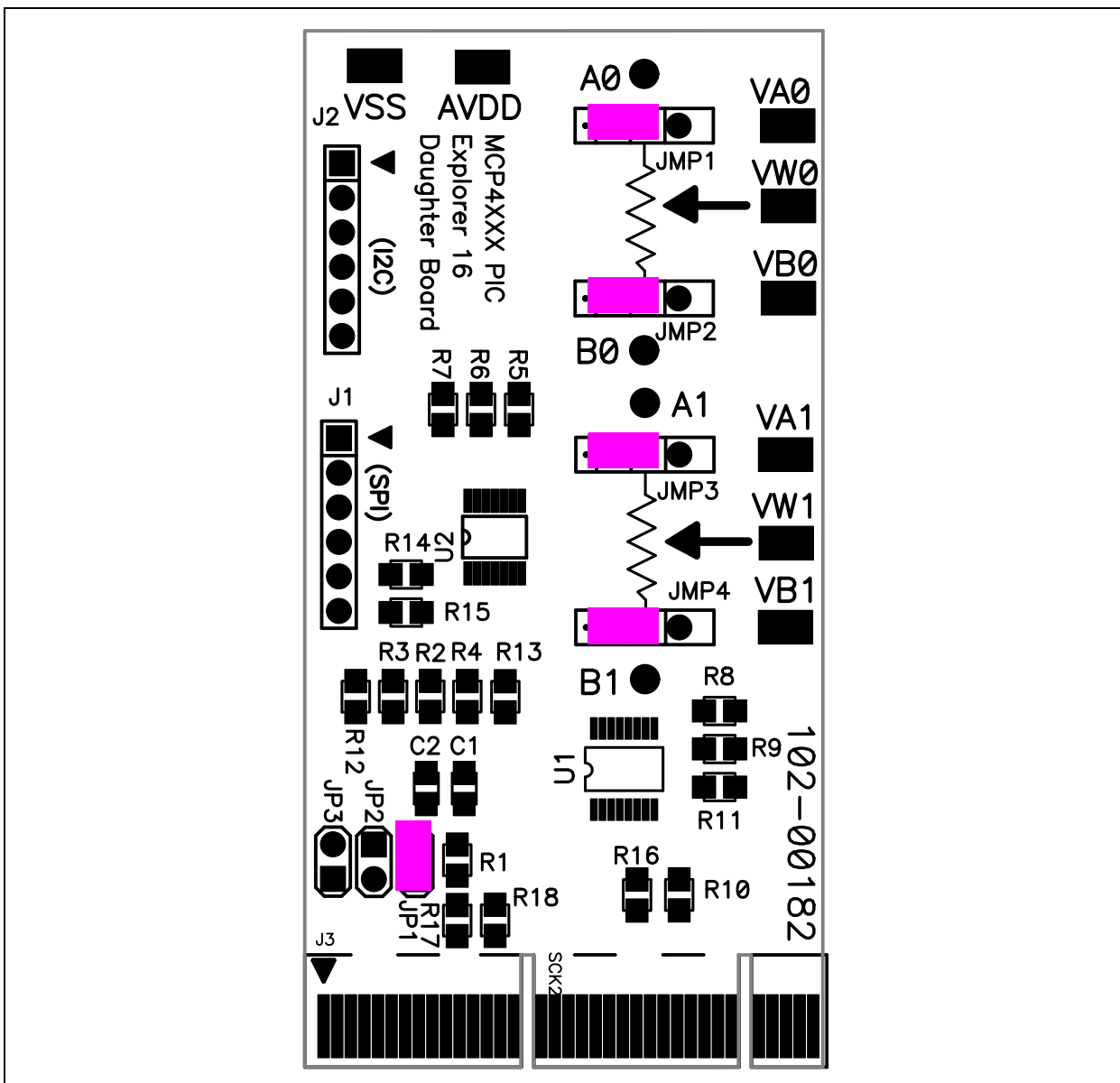
The default jumper configuration for the shipped demo board is shown in Figure 2-3.

# MCP42XX PICtail™ Plus Daughter Board User's Guide



**FIGURE 2-2:** MCP42XXDM-PTPLS Jumper Configuration and Oscilloscope Test Points.





**FIGURE 2-3:** MCP42XX PICtail Plus Daughter Board Layout with Default Jumper Settings

**Note:** This is the Jumper configuration that the board should be shipped with.

# MCP42XX PICtail™ Plus Daughter Board User's Guide

## 2.4 EXPLORER 16 DAUGHTER DEMO BOARD DEMOS

This section describes how to demonstrate the MCP42XX PICtail Plus Daughter Board. The demos will either use an Explorer 16 Developers Board or a PICkit Serial Analyzer.

The demo using the Explorer 16 Developers Board is discussed in **Section 2.4.1 “Demos with the Explorer 16 Starter Kit”**. While the demo using the PICkit Serial Analyzer is discussed in **Section 2.4.2 “Demo with the PICkit Serial Analyzer”**.

**Note:** Both demos require that the MCP42XXDM-PTPLS board jumper settings are as shown in Figure 2-4.

### 2.4.1 Demos with the Explorer 16 Starter Kit

**Note:** For information on how to use the MPLAB-IDE, ICD-2, or any other aspect of the PIC Development tool platform, please refer to the appropriate documentation.

This Demo will use the Explorer 16 Starter Kit. This board needs to be programmed with the supplied firmware. This firmware can be found on the included CD-ROM or can be downloaded from the Microchip web site. It is good practice to check the Microchip web site for updates to the demo firmware.

The supplied firmware program has two modes of operation. In the first mode, the program generates a saw wave on the VW1 pin (see Figure 2-6). The second mode is to display the operation of High Voltage commands to Wiper 1 (see Figure 2-7). This is where the  $\overline{CS}$  signal is driven to 9V.

The program selected is determined after a reset (including the Power-on reset) by the state of the S3 switch. The programs are:

- Wiper 1 Saw Wave (Switch S3 not depressed)
- Increment / Decrement with High Voltage Write to Non-Volatile Wiper 1 Register (Switch S3 depressed)

Table 2-1 shows the required hardware to operate the demo.

**TABLE 2-1: DEMO HARDWARE REQUIREMENTS**

Item #	Description	Comment
1	Explorer 16 Developers Board and power supply (DV164033)	<b>Note 1</b>
2	MCP42XXDM-PTPLS	
3	4 Channel oscilloscope	<b>Note 2</b>

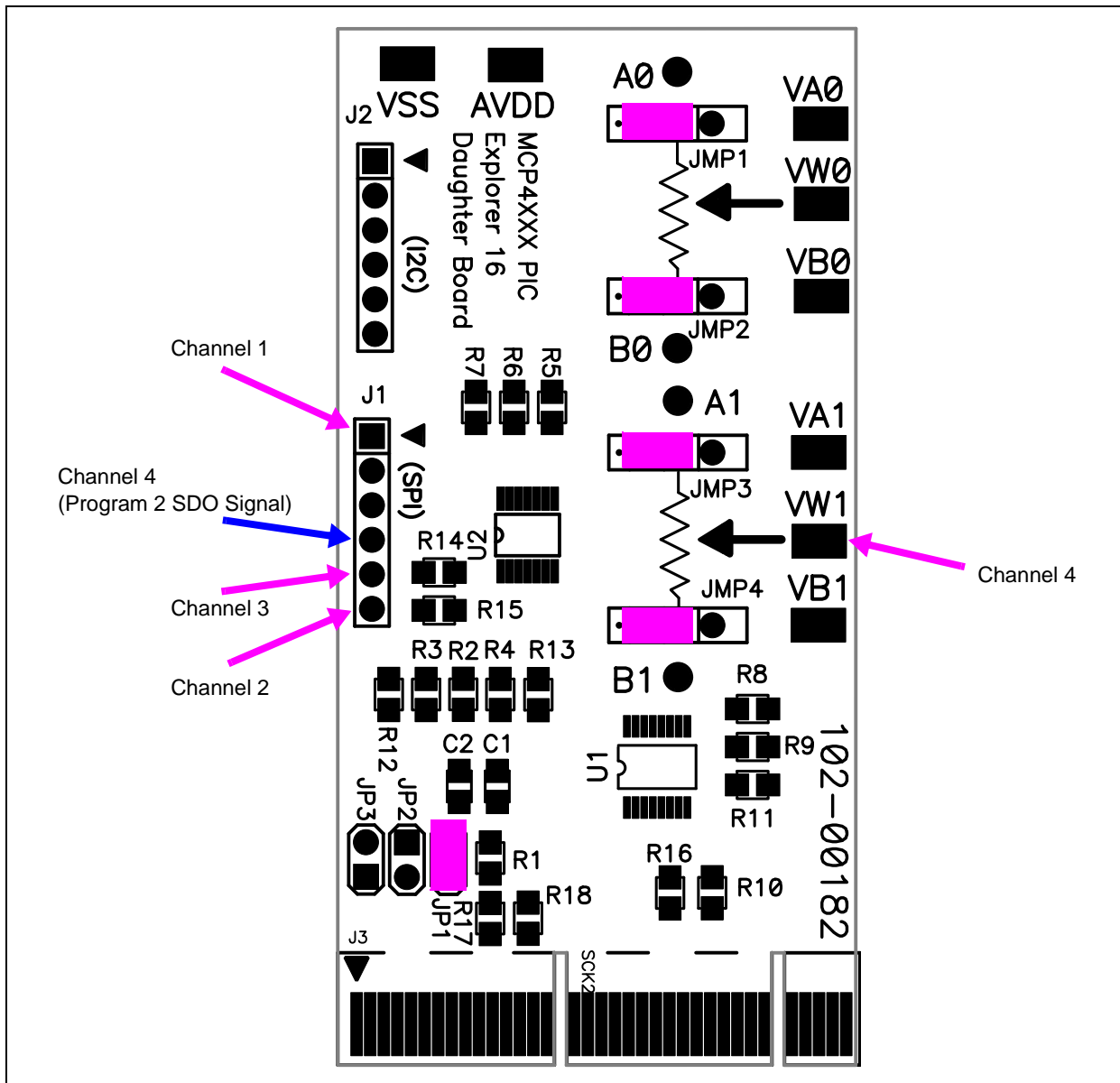
**Note 1:** A development tool to program the Explorer 16 Developers Board is required. This development tool could be Microchip's MPLAB ICD-2.

**2:** An oscilloscope with fewer channels can be used, but this will require that the probes be moved between signals to verify the output states. A 2 channel is the minimum requirement, but is not recommended.

# Installation and Operation

## 2.4.1.1 THE MCP42XXDM-PTPS JUMPER CONFIGURATION

Before inserting the board into the Explorer 16 Developers Board, the jumper configuration must be verified. Figure 2-4 shows the configurations of the jumpers.



**FIGURE 2-4:** MCP4XXDM-PTPLS Jumper Configuration and Oscilloscope Test Points.

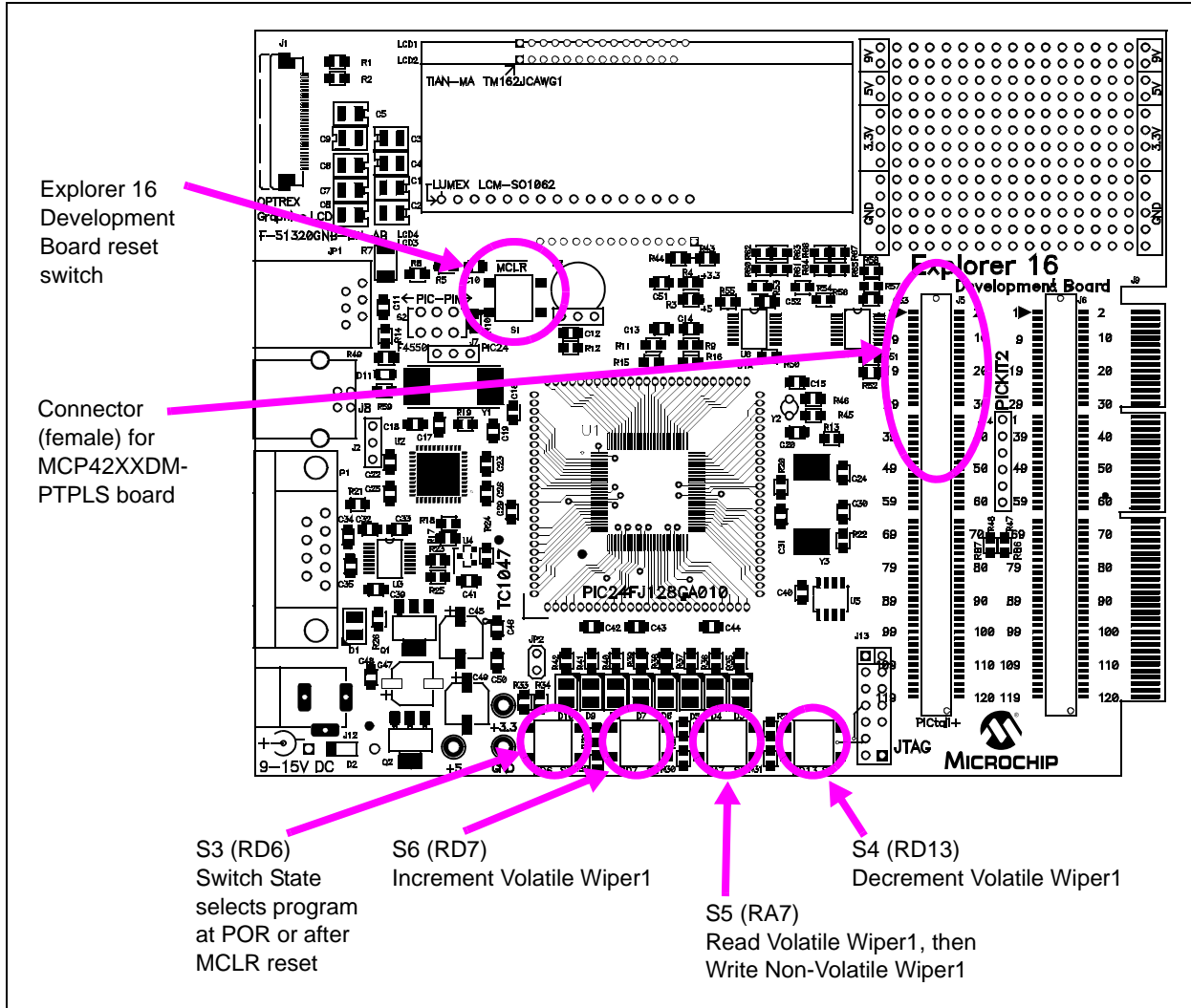
**Note:** This is the Jumper configuration that the board should be shipped with.

# MCP42XX PICtail™ Plus Daughter Board User's Guide

## 2.4.1.2 MCP42XX PICTAIL PLUS DAUGHTER BOARD (MCP42XXDM-PTPLS) INTO THE EXPLORER 16 STARTER KIT (DV164033)

Figure 2-5 shows the component placement on the Explorer 16 Demo Board including the PICtail Plus header that the MCP42XX PICtail Plus Daughter Board is inserted into. The boards Reset switch and other switches are pointed out.

Ensure that the MCP42XXDM-PTPLS is installed in the correct orientation into the Explorer 16 Developers Board. Figure 2-5 shows the location where the daughter board is inserted into the Explorer 16 Developers Board.



**FIGURE 2-5:** Explorer 16 Development Board (DV164033).

## 2.4.1.3 DEMO STEPS

The PIC24 Board firmware contains two programs. The program selected is determined after a reset (including the Power-on reset) by the state of the S3 switch. The programs are:

1. Wiper 1 Saw Wave (Switch S3 not depressed).
2. Increment / Decrement with High Voltage Write to Non-Volatile Wiper 1 Register (Switch S3 depressed).

Table 2-2 shows the sequence of steps to demo the MCP42XXDM-PTPLS board with the Explorer 16 Developer's Board.

Figure 2-6 shows the expected output waveform for Program #1 (Wiper 1 Saw Wave) as well as the voltage levels and ranges of the four signals. Figure 2-7 shows an example waveforms for the High Voltage Write Command for the SDI, SDO, SCK, and  $\overline{CS}$  signals.

**TABLE 2-2: DEMO STEPS USING THE PICDEM HPC EXPLORER DEMO BOARD**

Step	Action	Result
1a	Turn on oscilloscope and configure as follows: <ul style="list-style-type: none"> <li>• Channel 1, 2, 3, and 4 @ 5V/Division</li> <li>• Channel 1 to 4 have same ground reference point</li> </ul>	—
1b	Configure oscilloscope as follows: <ul style="list-style-type: none"> <li>• Time-base = 100 ms/Division (see Figure 2-6 for scope details)</li> </ul>	—
2	Configure the MCP42XXDM-PTPLS to the jumper settings shown in Figure 2-4.	—
3	Insert the MCP42XXDM-PTPLS board into the Explorer 16 Developers Board J5 header (see Figure 2-5). Ensure proper orientation of Daughter Board to J5 Header.	—
4	Connect the oscilloscope probes as follows: <ul style="list-style-type: none"> <li>• Channel 1 to the <math>\overline{CS}</math> Pin of Header J1</li> <li>• Channel 2 to the SDI Pin of Header J1</li> <li>• Channel 3 to the SCK Pin of Header J1</li> <li>• Channel 4 to the VW1 Pad</li> </ul>	—
5	Power up the programmed Explorer 16 Developer Board and depress and release the MCLR push button	Program 1 is now selected. Output waveform should look similar to Figure 2-6. Ensure to verify voltage levels/ranges of the four signals. <b>(Note 1)</b>
6	Depress the Explorer 16 Developer Board's S3 push button	—
7	Depress and release the Explorer 16 Developer Board's MCLR push button	—
8	Release the Explorer 16 Developer Board's S3 push button	Program 2 is now selected.
9	Configure oscilloscope as follows: <ul style="list-style-type: none"> <li>• Time-base = 50 <math>\mu</math>s/Division (see Figure 2-7 for scope details)</li> </ul>	—

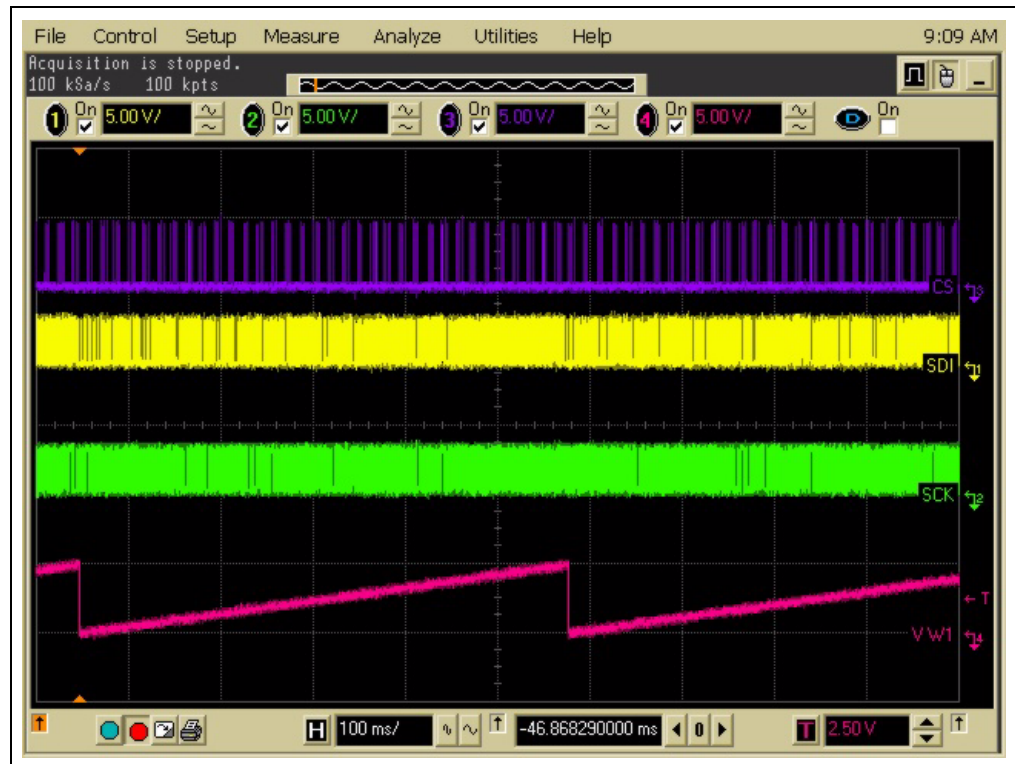
**Note 1:** The SDI and SCK signals go from  $V_{SS}$  to approximately 3.3V due to the PIC24 operating at 3.3V. The VW1 signals go from  $V_{SS}$  to approximately 5V.

# MCP42XX PICtail™ Plus Daughter Board User's Guide

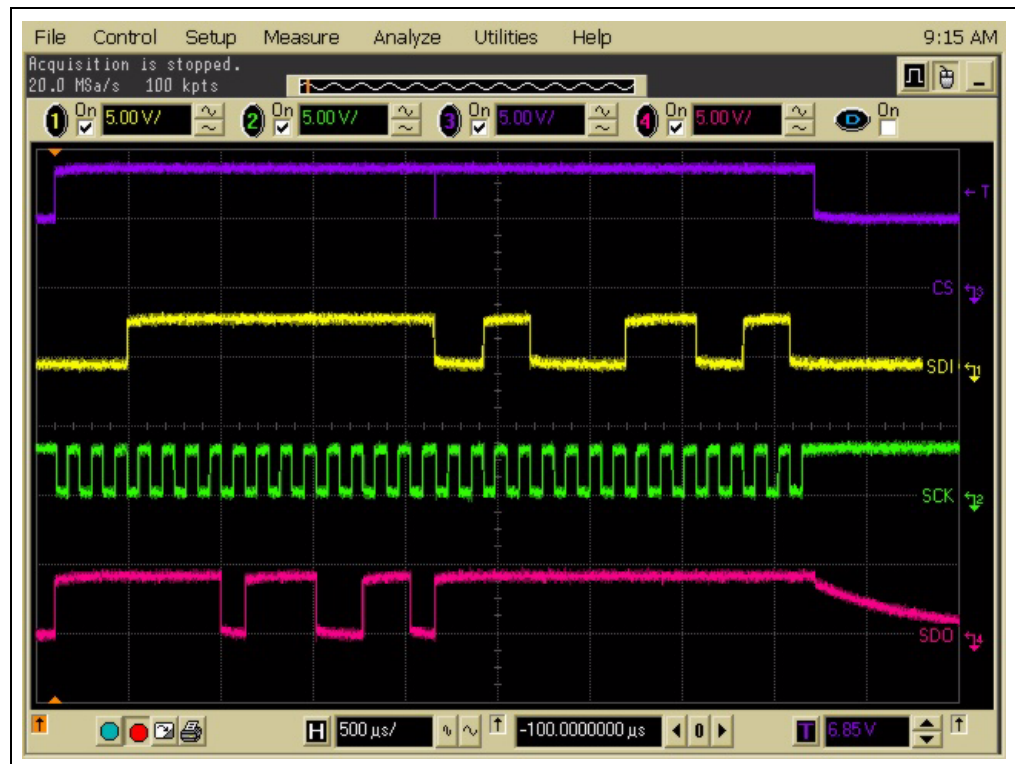
**TABLE 2-2: DEMO STEPS USING THE PICDEM HPC EXPLORER DEMO BOARD (CONTINUED)**

Step	Action	Result
10	Depress the Explorer 16 Developer Board's S6 push button	While S6 is depressed, the voltage on Wiper 1 (VW1) increases
11	Depress the Explorer 16 Developer Board's S4 push button	While S4 is depressed, the voltage on Wiper 1 (VW1) decreases
12	Use the S4 and S6 push buttons to configure the volatile wiper 1 register to either near $V_{DD}$ or near VSS. Take note of Wiper Voltage value.	—
13	Move Channel 4 scope probe (VW1) to SDO signal on J1 (see Figure 2-4)	—
14	Configure Scope to Capture on Channel 1 (CS pin) on the rising edge at about 7V.	—
15	Depress the Explorer 16 Developer Board's S5 push button	While S5 is depressed, the volatile Wiper 1 register is read, this value is written to the Non-Volatile Wiper 1 register, and then approximately a 10ms delay occurs while the NV write cycle occurs. Capture will look similar to Figure 2-7 ( <b>Note 1</b> )
16	Unplug Power from the Explorer 16 Developer Board	—
17	Depress the Explorer 16 Developer Board's S3 push button	—
18	Power up the programmed Explorer 16 Developer Board and depress and release the MCLR push button	—
19	Release the Explorer 16 Developer Board's S3 push button	The voltage on the Wiper 1 pad (VW1) should be the same voltage level as when completed with Step 12.
20	Unplug Power from the Explorer 16 Developer Board and remove the MCP42XXDM-PTPLS board	—

**Note 1:** The SDI and SCK signals go from  $V_{SS}$  to approximately 3.3V due to the PIC24 operating at 3.3V. The VW1 signals go from  $V_{SS}$  to approximately 5V.



**FIGURE 2-6:** Screen Capture of Program 1 Output Waveforms.



**FIGURE 2-7:** Screen Capture of Program 2 Non-Volatile Write Waveform.

# MCP42XX PICtail™ Plus Daughter Board User's Guide

---

## 2.4.2 Demo with the PICkit Serial Analyzer

**Note:** For information on how to use the PICkit Serial Analyzer, or any other aspect of the PIC® Development tool platform, please refer to the appropriate documentation.

This demo requires that you have previously installed the PICkit Serial Analyzer (DV164122) on your computer. Ensure that the device has properly been installed before using the Supplied GUI for the MCP41XX/42XX devices.

**Note 1:** The GUI is supplied “As Is”, and the source code is supplied to allow developers a starting point for any GUI development.

**2:** The GUI will be updated to include the selection of I<sup>2</sup>C devices (MCP45XX/46XX).

The GUI requires two files, these are:

- DigipotControl.exe
- PICkitS.dll

The “PICkitS.dll” file must be in the same directory as the application executable file.

Table 2-3 shows the required hardware to operate the demo.

**TABLE 2-3: DEMO HARDWARE REQUIREMENTS**

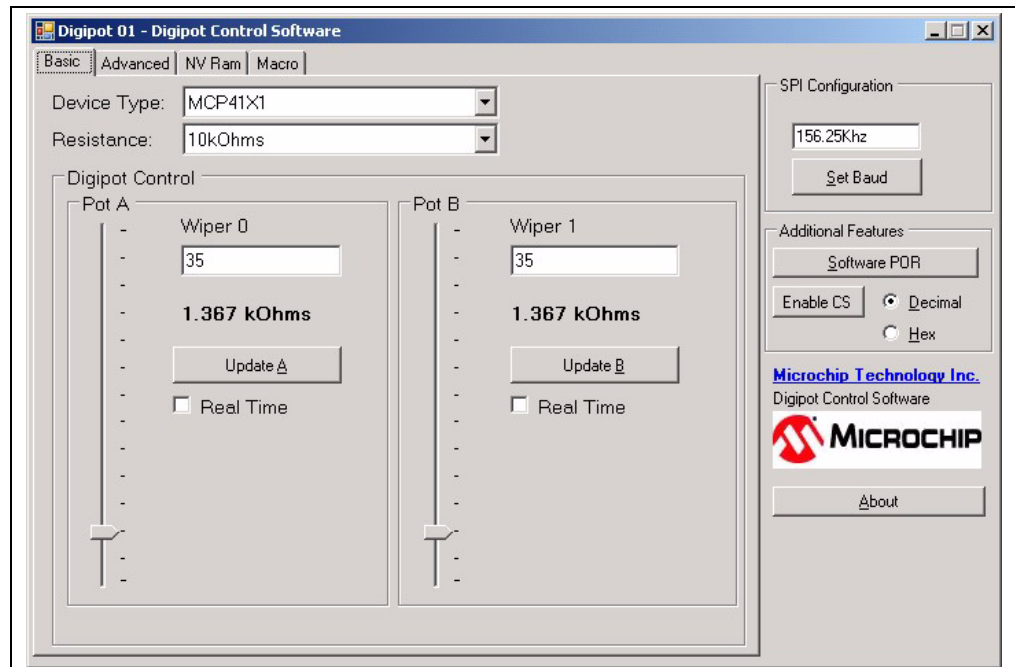
Item #	Description	Comment
1	PC with USB port running Windows XP	
2	PICkit Serial Analyzer Adapter (DV164122)	
3	MCP42XXDM-PTPLS	
4	Oscilloscope	<b>Note 1</b>

**Note 1:** A Digital Multi-Meter (DMM) may be used to measure the W pins voltage.



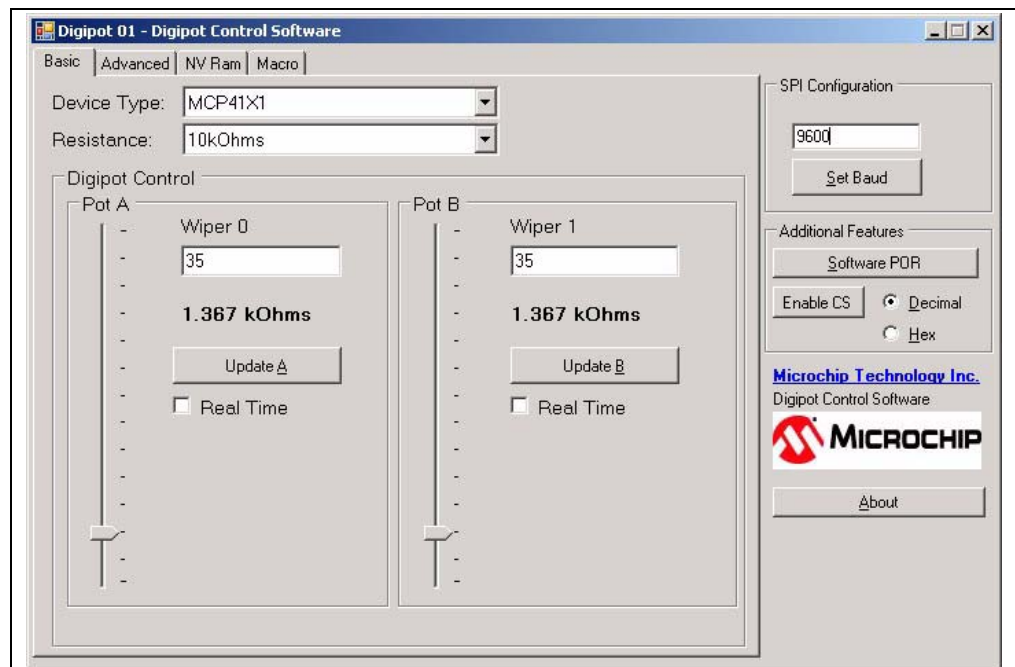
## 2.4.2.1 THE GUI SCREENS AND GUI CONFIGURATION

Figure 2-8 shows the GUI when the application is first started.



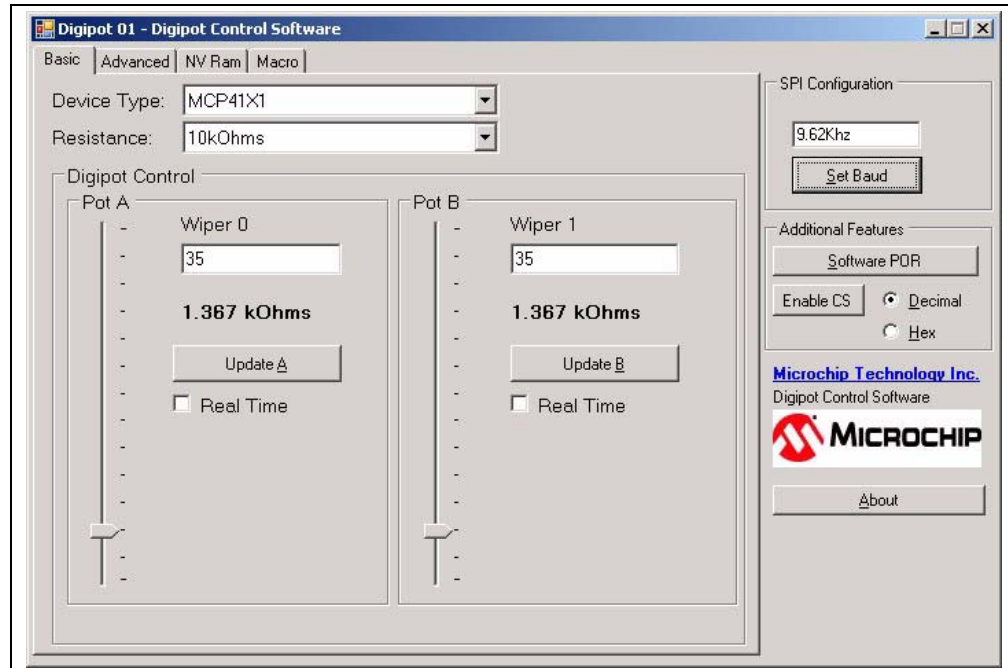
**FIGURE 2-8:** 1st Screen of GUI.

Figure 2-9 shows the GUI box where the SPI Baud Rate is specified. Clicking on the “Set Baud” button results in an actual Baud Rate of 9.62 kHz, as shown in Figure 2-10. This reflects the actual Baud Rate based on the PICKit Serial Analyzer’s clock frequency.



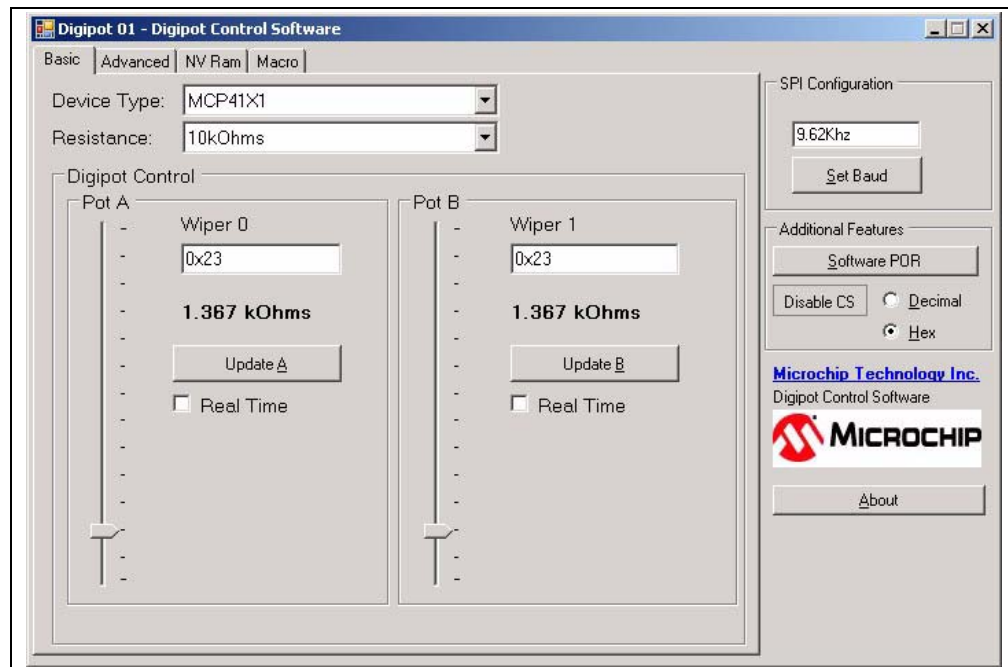
**FIGURE 2-9:** Configuring the Baud Rate - Desired Baud Rate.

# MCP42XX PICtail™ Plus Daughter Board User's Guide

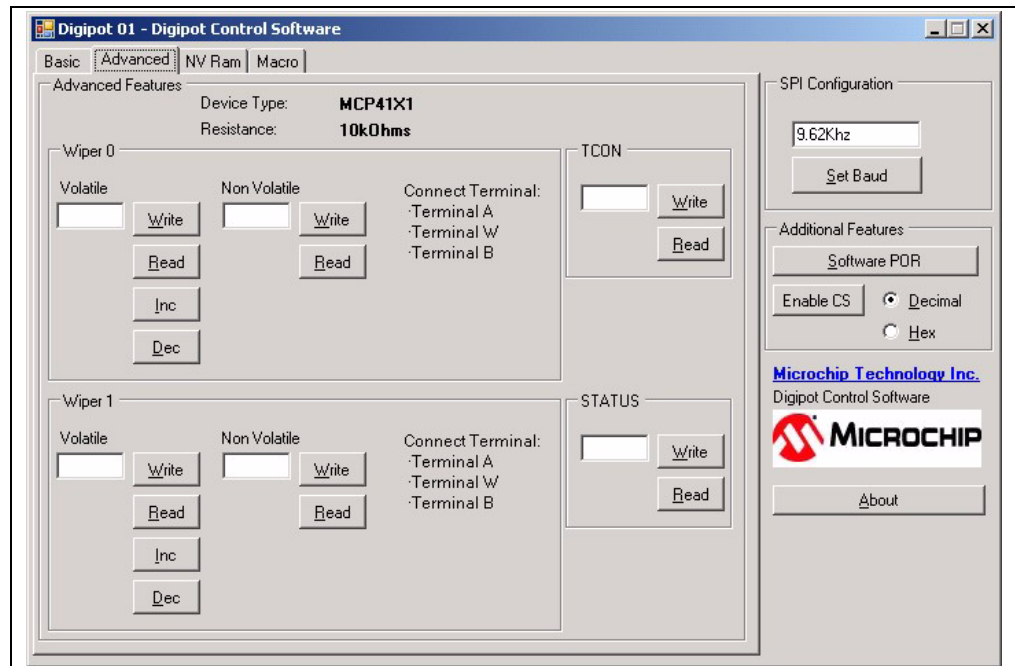


**FIGURE 2-10:** Configuring the Baud Rate - Actual Baud Rate.

To display the data values in hexadecimal, click on the Hex radial button. To Chip Select the MCP42XX device, click on the “Disable CS” button. The GUI window will now look like Figure 2-11. To have access to more control of the MCP42XX memory, click on the Advanced tab, and the GUI will display Figure 2-12.



**FIGURE 2-11:** Enabling The MCP42XX Chip Select.

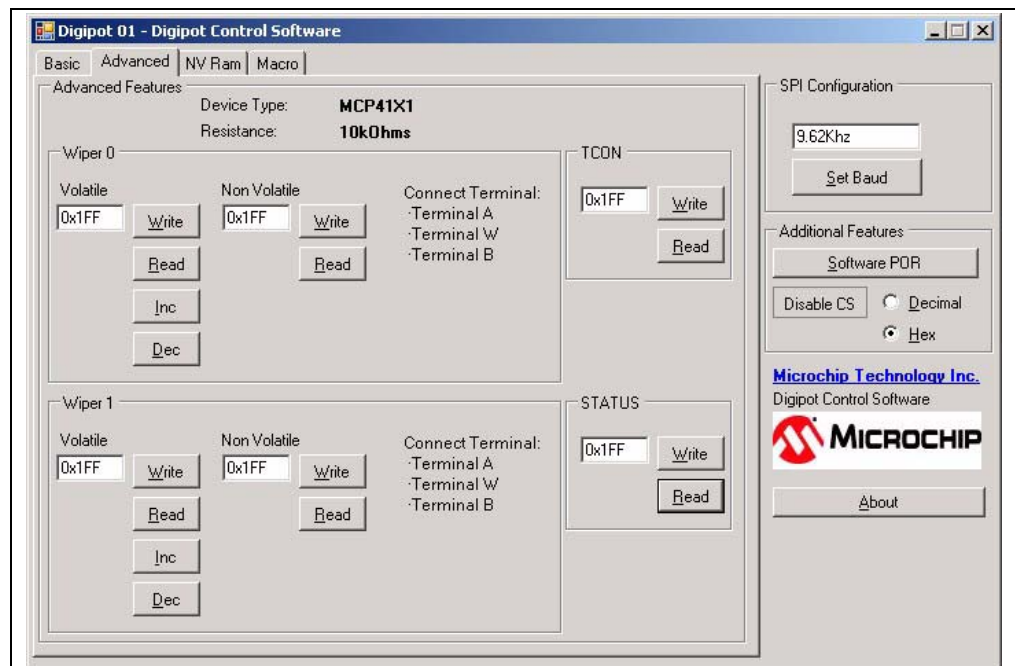


**FIGURE 2-12:** Advance Screen.

Clicking on the Read Button should display the register values shown in Figure 2-13. The volatile wiper value should match the Non-volatile wiper value.

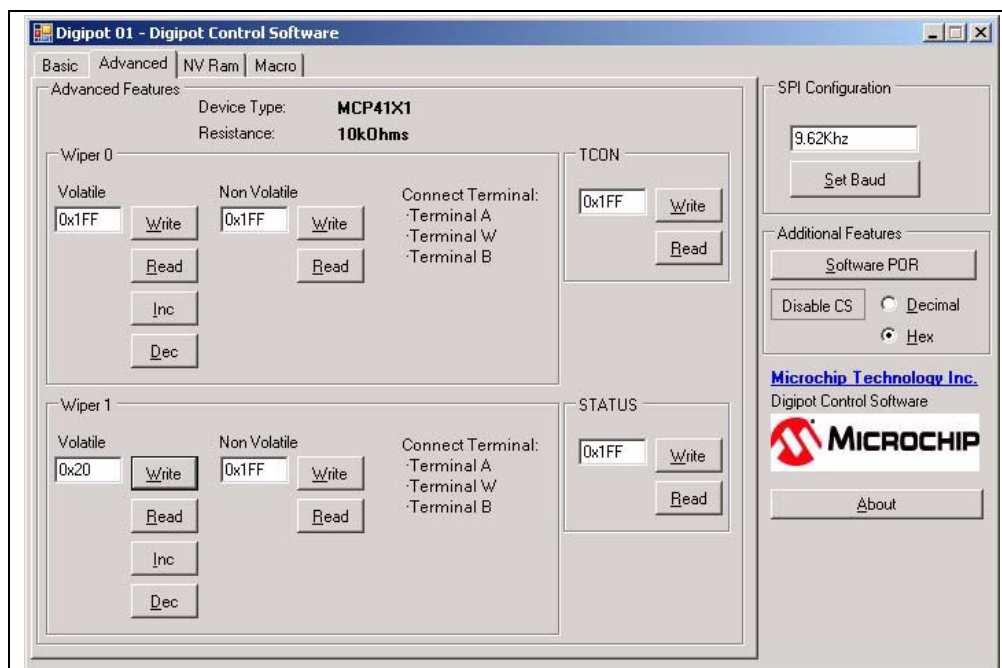
**Note:** The Volatile/Non-Volatile wiper values may not be the device's expected Mid-scale value due to board production testing.

To write to a desired register, in the desired data entry box and click on the Write button. Figure 2-14 shows an example of writing to the Volatile Wiper 0 register.



**FIGURE 2-13:** Advance Screen - Read Register.

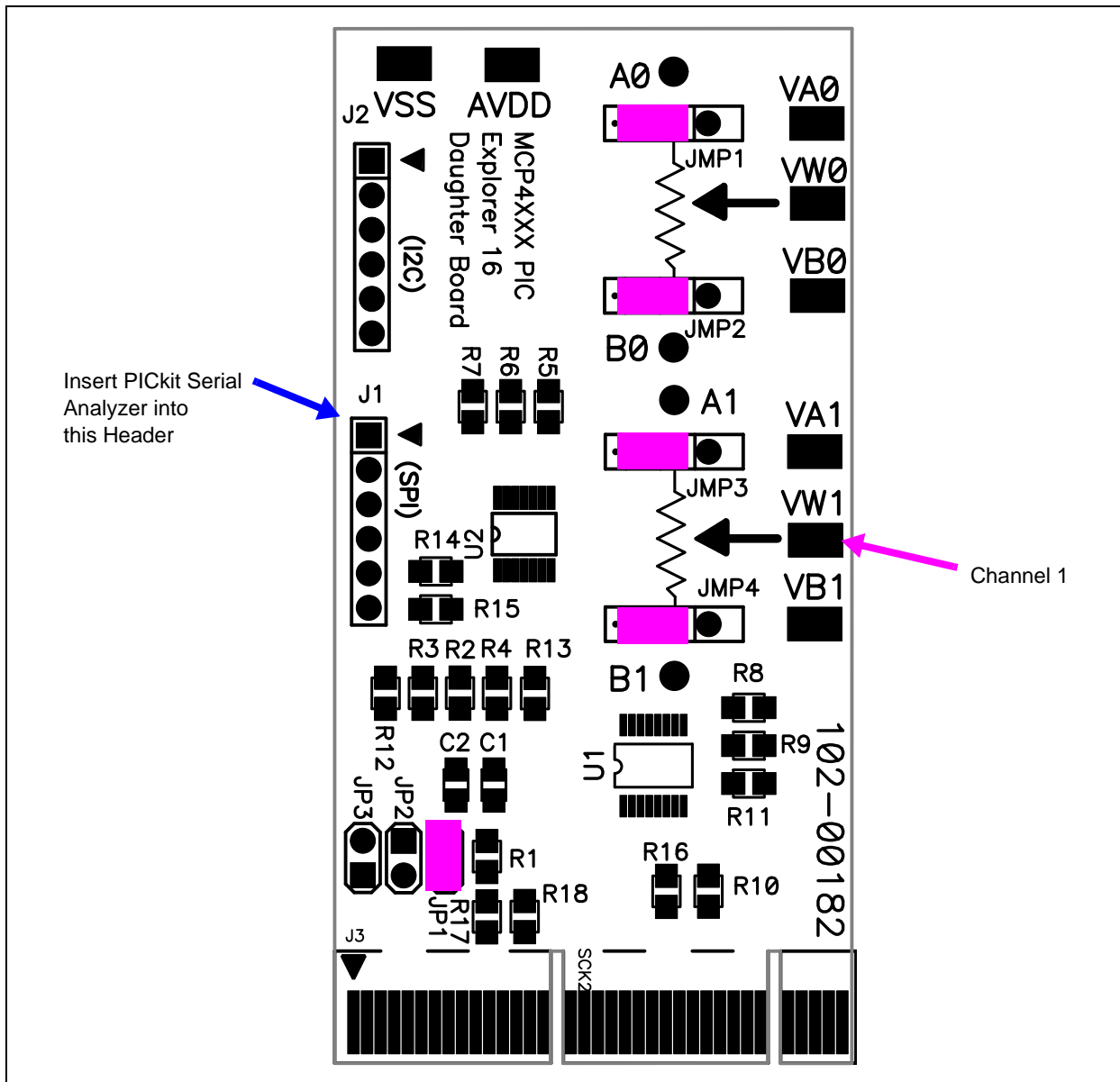
# MCP42XX PICtail™ Plus Daughter Board User's Guide



**FIGURE 2-14:** Advance Screen - Write Register.

# Installation and Operation

Figure 2-15 shows the connections for the Demo using the PICkit Serial Analyzer.



**FIGURE 2-15:** PICkit Serial Analyzer Demo Jumper Configuration and Oscilloscope Test Points.

# MCP42XX PICtail™ Plus Daughter Board User's Guide

## 2.4.2.2 DEMO STEPS

The use of the PICkit Serial Analyzer means that wiper pin's voltage is under direct control from the PC's GUI interface and more user experimentation is possible.

**TABLE 2-4: DEMO STEPS USING THE PICDEM HPC EXPLORER DEMO BOARD**

Step	Action	Result
1a	Turn on oscilloscope and configure as follows: • Channel 1 @ 1V/Division (Note 1)	—
1b	Configure oscilloscope as follows: • Time-base = 100 $\mu$ s/Division ( <b>Note 1</b> )	—
2	Configure the MCP42XXDM-PTPLS to the jumper settings shown in Figure 2-15.	—
3	Insert the PICkit Serial Analyzer into the MCP42XXDM-PTPLS board's J1 header. Ensure proper orientation of the PICkit Serial Analyzer to the J1 Header.	—
4	Connect the oscilloscope probes as follows: • Channel 1 to the VW1 Pad	—
5	Plug the PICkit Serial into the PC's USB port	—
6	Plug the PICkit Serial into the MCP42XXDM-PTPLS board's J1 connector	The MCP42XXDM-PTPLS board is now powered
7	Start the GUI application	See Figure 2-8 and
8	Select a Baud rate of 9600	See Figure 2-9 and Figure 2-10
9	Under Additional Features, select the "Hex" radial button and then Click on the "Enable CS" button. This drives the CS signal low. This Enables the MCP42XX to receive serial commands.	See Figure 2-11. The button's text changes to "Disable CS"
10	Click on the "Advanced" tab	The Advanced screen appears, see Figure 2-12
11	Click on all 6 "Read" buttons	See Figure 2-13
12	In the Volatile Wiper 1 register text box, type a value that is significantly different then the current value. Such as, if the value was 1FFh, type 20h.	See Figure 2-14
13	Click on the associated "Write" button	The VW1 voltage (on the oscilloscope) changes.
14	Type other values and then click on the "Write" button to see how the VW1 voltage changes	Look on the oscilloscope to monitor the Wiper 1 voltage after each click of the "Write" button.
15	In the Wiper 1 text box, type 080h (mid-scale)	The VW1 pin should go to $AV_{DD} / 2$

**Note 1:** A Digital Multi-Meter (DMM) configured to measure voltage may be used instead of an oscilloscope.

**TABLE 2-4: DEMO STEPS USING THE PICDEM HPC EXPLORER DEMO BOARD (CONTINUED)**

Step	Action	Result												
16	Now write values to the TCON register (bit 7 to bit 4) and monitor the effects on the VW1 pin.	<p>The different Potentiometer terminals (A1, W1, and B1), will be either connected or disconnected depending on the value.</p> <table> <tr> <td>TCON =</td> <td>Result</td> </tr> <tr> <td>'x 1110 xxxx'b</td> <td>B1 open, W1 pulled high</td> </tr> <tr> <td>'x 1011 xxxx'b</td> <td>A1 open, W1 pulled low</td> </tr> <tr> <td>'x 1101 xxxx'b</td> <td>W1 floating</td> </tr> <tr> <td>'x 0111 xxxx'b</td> <td>A1 open, W1 connected to B1 (Zero-Scale)</td> </tr> <tr> <td>'x 1111 xxxx'b</td> <td>All terminals con- nected to their respective pin</td> </tr> </table>	TCON =	Result	'x 1110 xxxx'b	B1 open, W1 pulled high	'x 1011 xxxx'b	A1 open, W1 pulled low	'x 1101 xxxx'b	W1 floating	'x 0111 xxxx'b	A1 open, W1 connected to B1 (Zero-Scale)	'x 1111 xxxx'b	All terminals con- nected to their respective pin
TCON =	Result													
'x 1110 xxxx'b	B1 open, W1 pulled high													
'x 1011 xxxx'b	A1 open, W1 pulled low													
'x 1101 xxxx'b	W1 floating													
'x 0111 xxxx'b	A1 open, W1 connected to B1 (Zero-Scale)													
'x 1111 xxxx'b	All terminals con- nected to their respective pin													
17	Write assorted values to the devices memory locations and then read the values to see what is present. If the write is to Non-Volatile memory, power down (unplug) the MCP42XX PICtail Plus Daughter Board and then power up to evaluate if the non-volatile memory value is retained.													

**Note 1:** A Digital Multi-Meter (DMM) configured to measure voltage may be used instead of an oscilloscope.

# MCP42XX PICtail™ Plus Daughter Board User's Guide

---

NOTES:



---

---

## Appendix A. Schematic and Layouts

---

---

### A.1 INTRODUCTION

This appendix contains the schematics and layouts for the MCP42XX PICtail Plus Daughter Board. Diagrams included in this appendix:

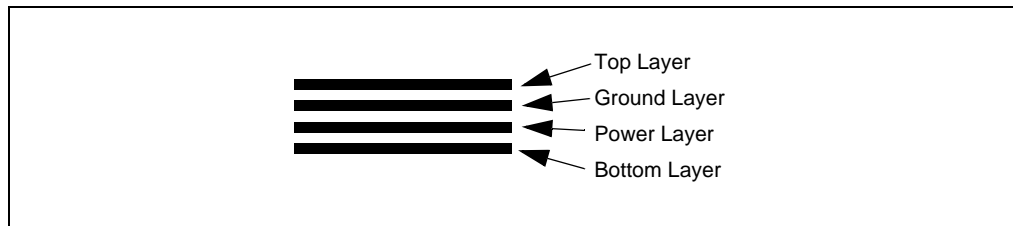
- Board - Schematic
- Board - Top Silk-screen Layer
- Board - Top Component Plus Silk-screen
- Board - Ground Layer
- Board - Power Layer
- Board - Bottom Layer

### A.2 SCHEMATICS AND PCB LAYOUT

Figure A.3 shows the schematic of the MCP42XX PICtail Plus Daughter Board.

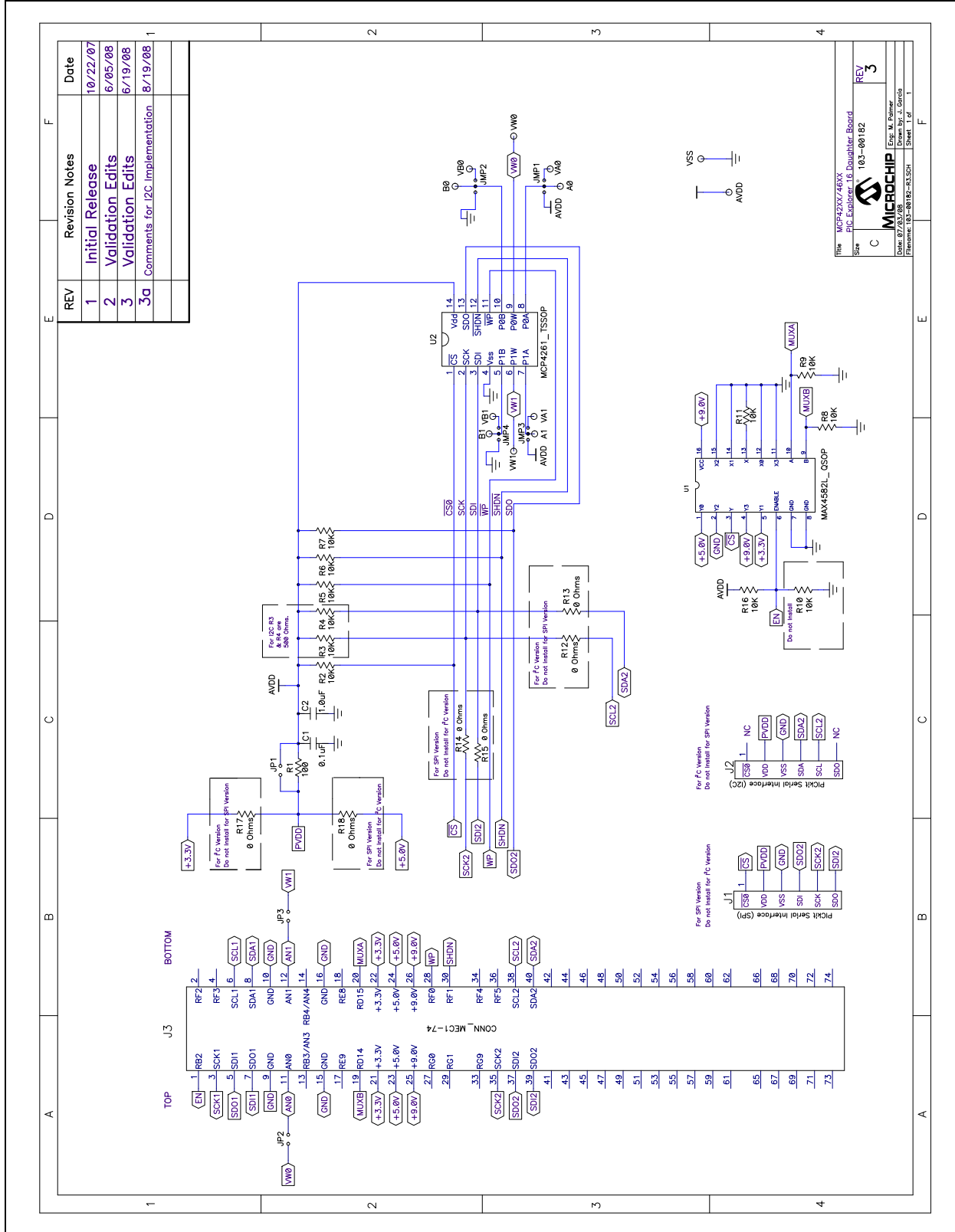
Figure A.4 shows the layout for the top layer of the MCP42XX PICtail Plus Daughter Board. The layer order is shown in Figure A-1.

**FIGURE A-1: LAYER ORDER**

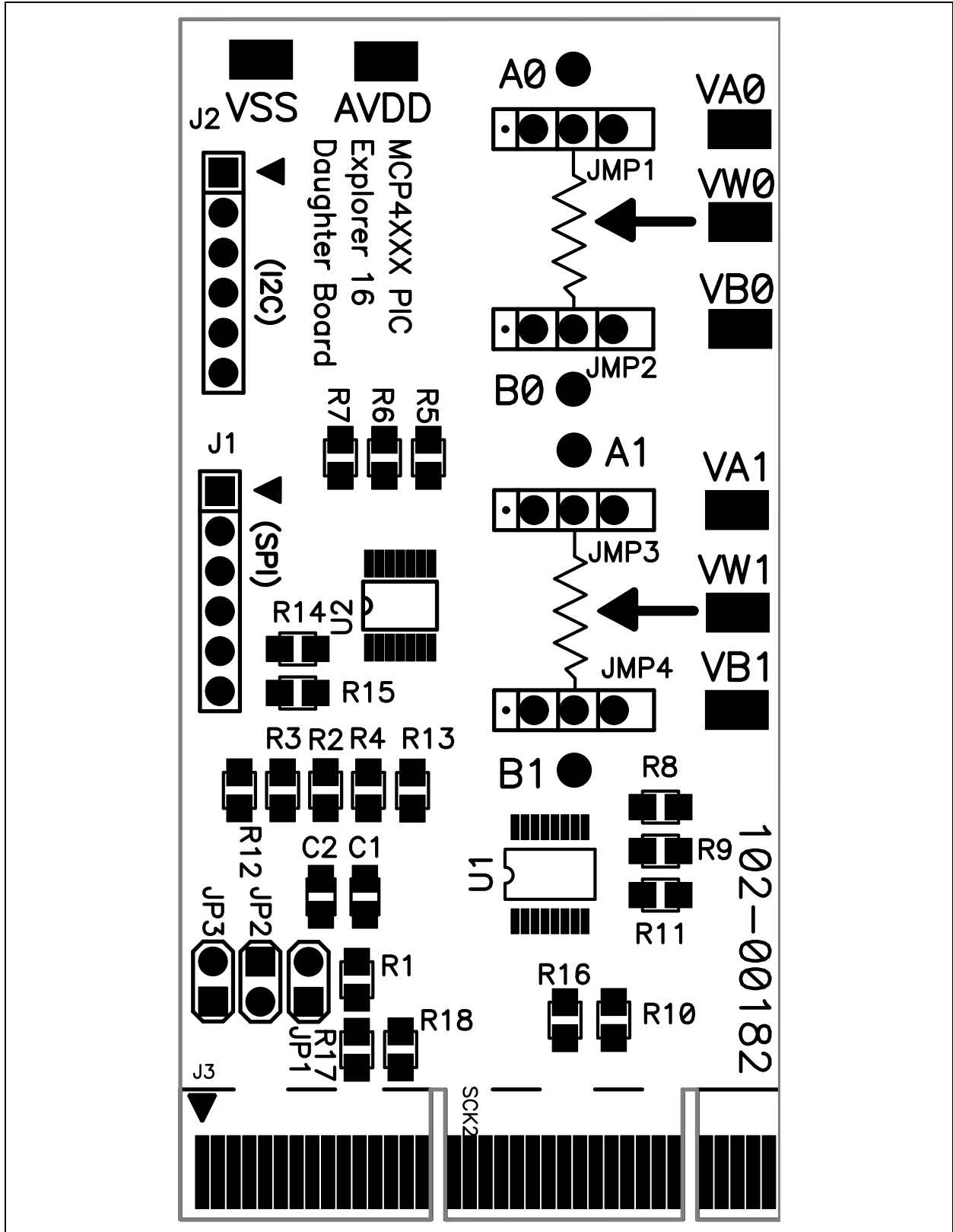


# MCP42XX PICtail™ Plus Daughter Board User's Guide

## A.3 BOARD - SCHEMATIC

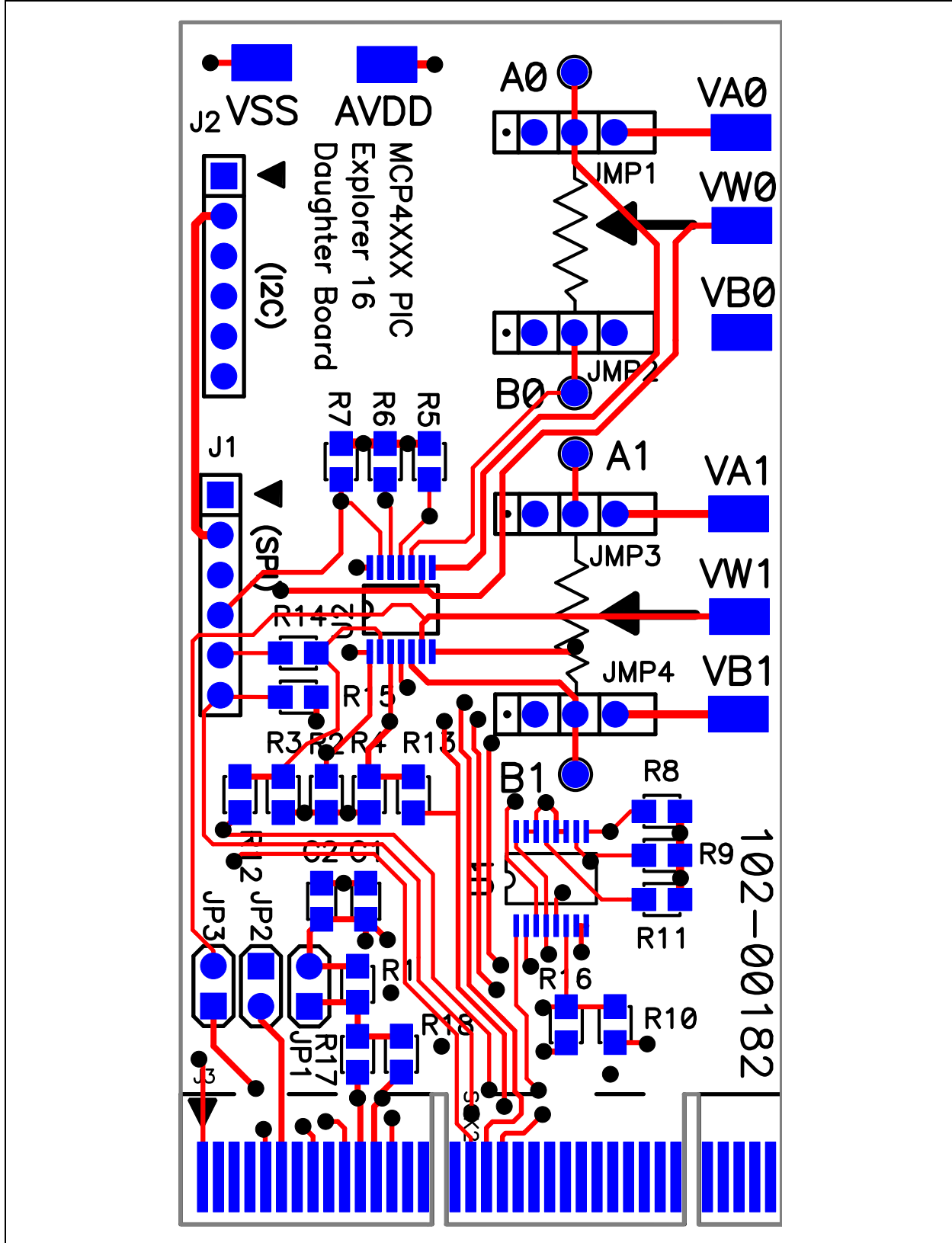


## A.4 BOARD – TOP SILK-SCREEN LAYER

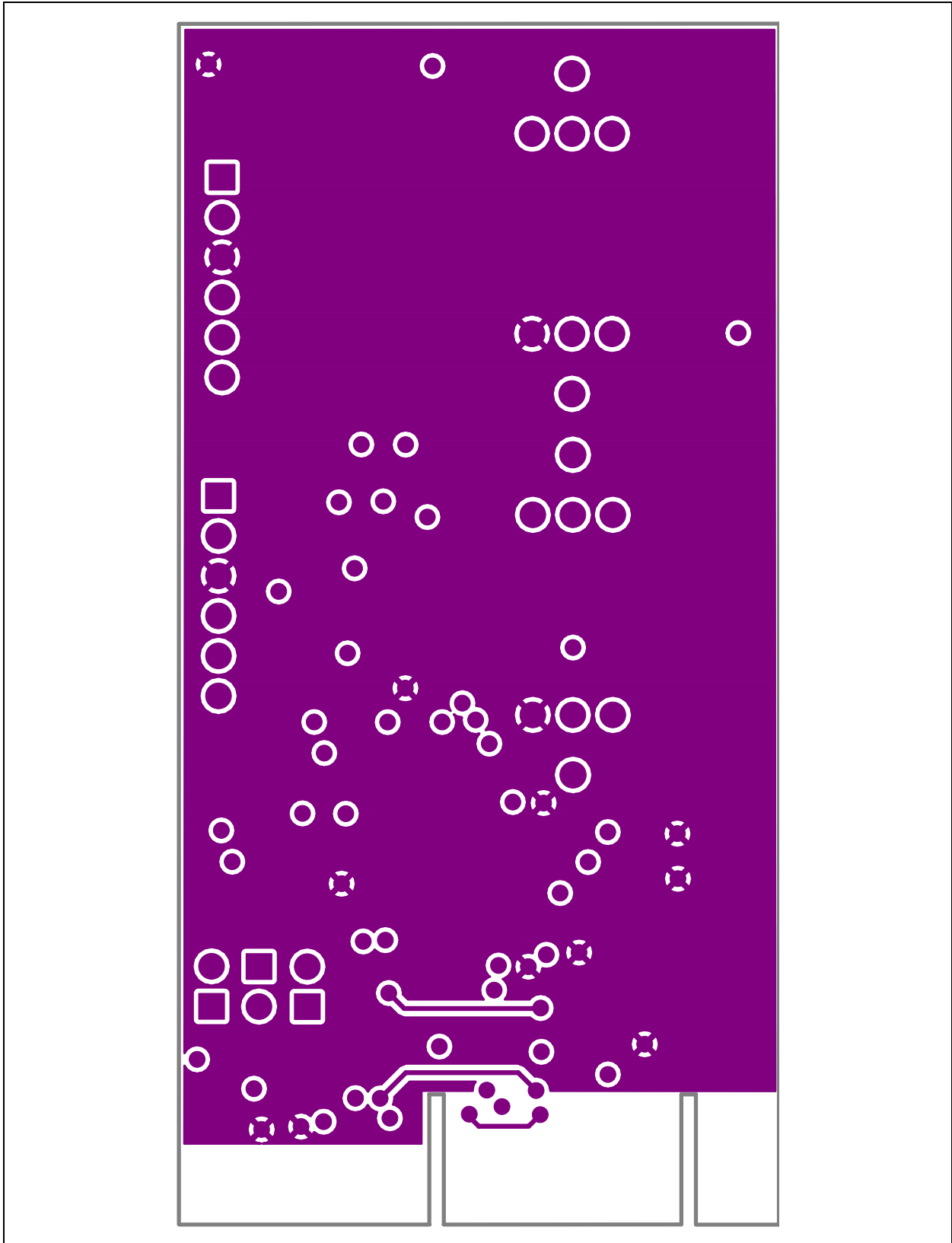


# MCP42XX PICtail™ Plus Daughter Board User's Guide

## A.5 BOARD – TOP COMPONENTS + SILK-SCREEN

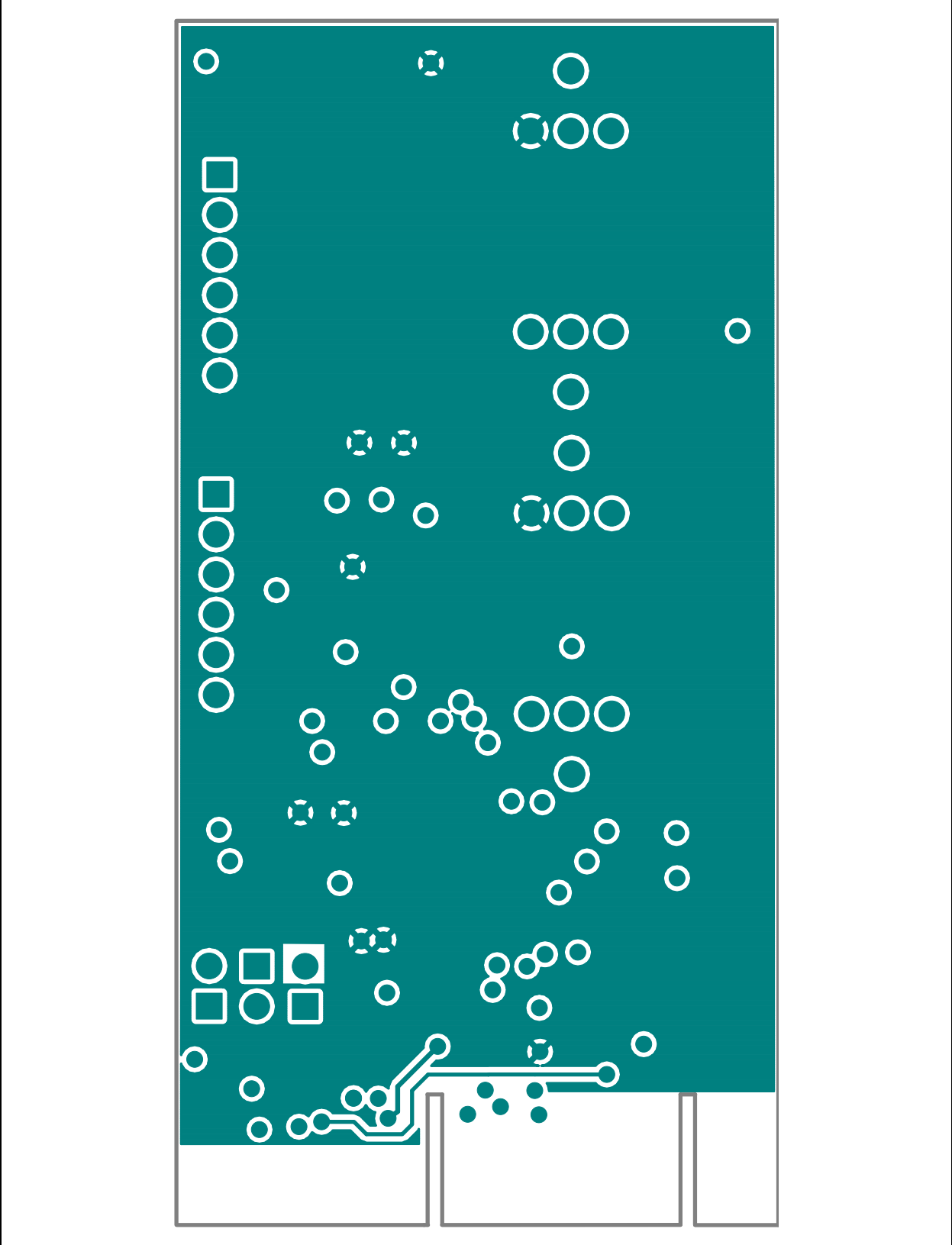


## A.6 BOARD – GROUND LAYER

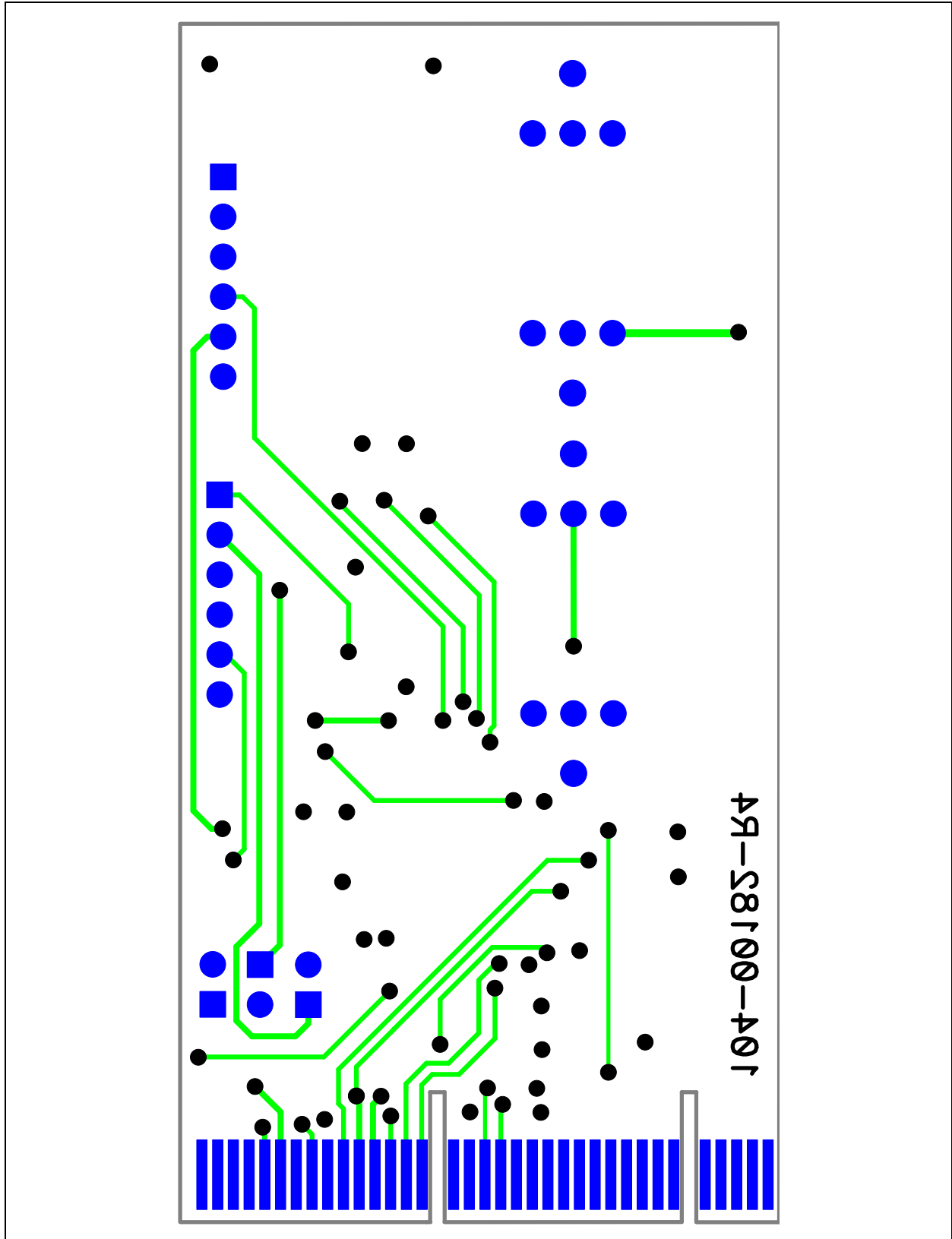


# MCP42XX PICtail™ Plus Daughter Board User's Guide

## A.7 BOARD – POWER LAYER



## A.8 BOARD – BOTTOM LAYER



# MCP42XX PICtail™ Plus Daughter Board User's Guide

---

NOTES:





# MCP42XX PICTAIL™ PLUS DAUGHTER BOARD USER'S GUIDE

## Appendix B. Bill Of Materials (BOM)

**TABLE B-1: BILL OF MATERIALS (BOM)**

Qty	Reference	Description	Manufacturer	Part Number
1	C1	CAP .1UF 25V CERAMIC X7R 0805	Panasonic® - ECG	ECJ-2VB1E104K
1	C2	CAP 1.0UF 16V CERAMIC X7R 0805	Kemet® Electronics	C0805C105K4RACTU
1	J1	CONN HEADER 6POS .100 VERT TIN	Molex/Waldom® Electronics Corp	22-28-4060
3	JP1, JP2, JP3	CONN HEADER 2POS .100 VERT TIN	Molex/Waldom Electronics	22-03-2021
4	JMP1, JMP2, JMP3, JMP4	CONN HEADER 3POS .100" STR TIN	Molex/Waldom Electronics Corp	90120-0123
1	PCB	RoHS Compliant Bare PCB, MCP4XXX PICTail Plus Daughter Board	Microchip Technology Inc.	104-00182
1	R1	RES 100 OHM 1/8W 1% 0805 SMD	Panasonic - ECG	ERJ-6ENF1000V
10	R2, R3, R4, R5, R6, R7, R8, R9, R11, R16	RES 10.0K OHM 1/8W 1% 0805 SMD	Panasonic - ECG	ERJ-6ENF1002V
3	R14, R15, R18	RES 0.0 OHM 1/8W 5% 0805 SMD	Rohm	MCR10EZPJ000
1	U1	C,ANALOG MUX,DUAL,4-CHAN- NEL,CMOS,SSOP,16PIN,PLASTIC 16-QSOP	Maxim	MAX4582LEEE
1	U2	MCP414X/416X/424, 7/8-Bit Single/Dual SPI Digital POT with Non-Volatile Mem- ory	Microchip Technology Inc.	MCP4261T-103E/ST
12	VA0, VW0, VB0, VA1, VW1, VB1, VSS, AVDD	PC TEST POINT COMPACT SMT	Keystone Electronics®	5016

**Note 1:** The components listed in this Bill of Materials are representative of the PCB assembly. The released BOM used in manufacturing uses all RoHS-compliant components.

**TABLE B-2: BILL OF MATERIALS — COMPONENTS NOT INSTALLED**

Qty	Reference	Description	Manufacturer	Part Number
0	J2	DO NOT POPULATE CONN HEADER 6POS .100 VERT TIN	—	—
0	R10, R12, R13, R17	DO NOT POPULATE	—	—

**Note 1:** The components listed in this Bill of Materials are representative of the PCB assembly. The released BOM used in manufacturing uses all RoHS-compliant components.

# MCP42XX PICtail™ Plus Daughter Board User's Guide

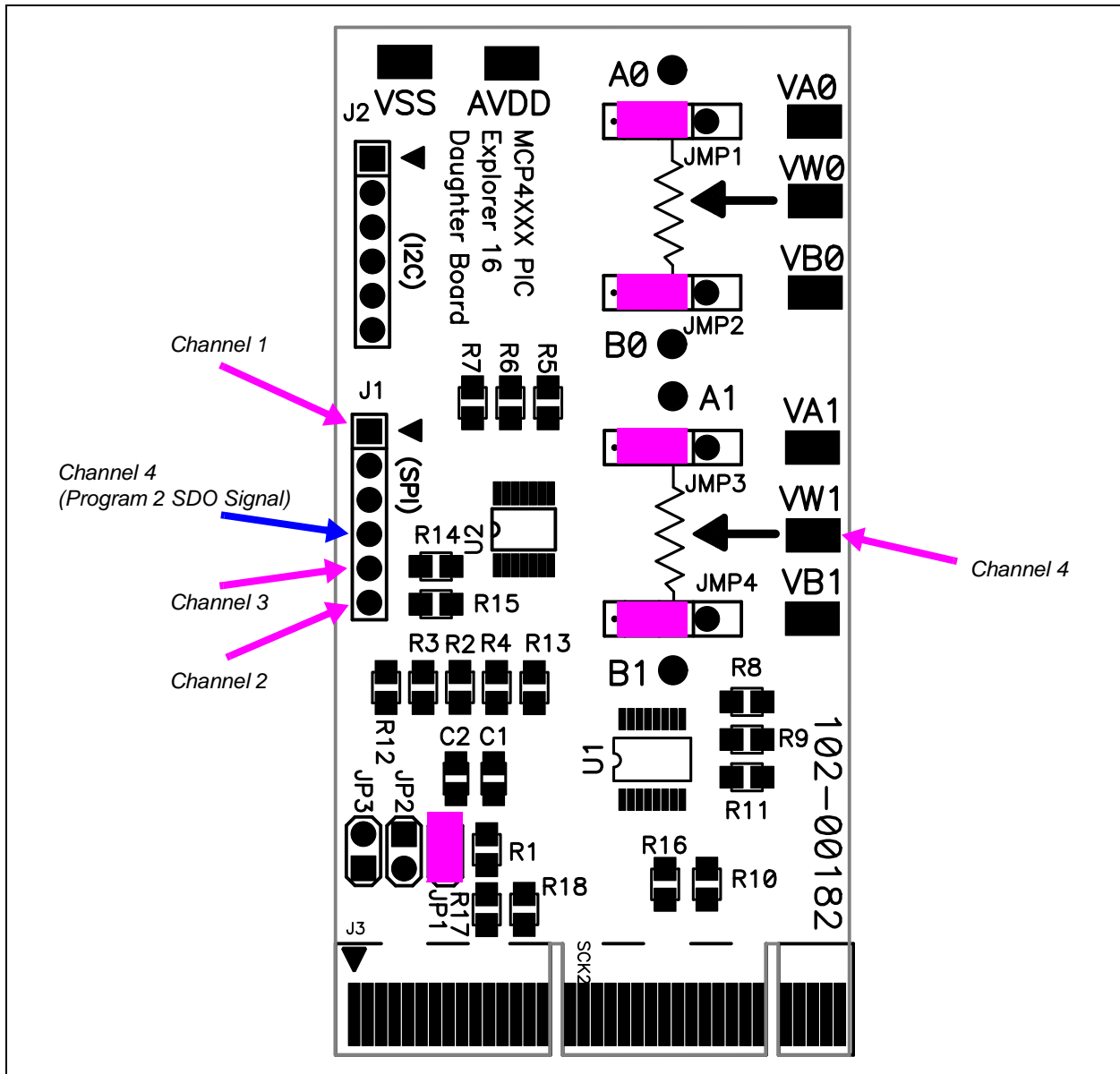
---

NOTES:

**Appendix C. Board Testing**

**C.1 INTRODUCTION**

The MCP42XX PICtail Plus Daughter Board can be used in multiple configurations. Only a subset of these configurations are tested. The tests were performed with the configuration shown in Figure C-1. The tested nodes are Channel 1 through Channel 4. Other configurations, Pad connections, and circuit performance are not tested.



**FIGURE C-1:** Tested Jumper Configuration and Test Points.

# MCP42XX PICtail™ Plus Daughter Board User's Guide

---

## C.2 WHAT IS TESTED

The following portions of the board are tested:

- MCP4261 (U2)
  - U2 MCP4261 Pot 1 is tested in Potentiometer configuration.
- JMP3 (P1 – P2) - AVDD to P1A
- JMP4 (P1 – P2) - AVSS to P1B
- MAX4582 (U1)
  - Y0 (5.0V), Y3 (9.0V), and Y2 (VSS) switching.
- Pads: VW1

## C.3 WHAT IS NOT TESTED

The following portions of the board are NOT tested:

- JMP1
- JMP2
- JMP3 (P2 – P3) - VA1 to P1A
- JMP4 (P2 – P3) - VB1 to P1B
- Jumpers: JP1, JP2, and JP3
- MAX4582 (U1)
  - Y1 (3.3V) switching.
- J1: PICkit Serial Analyzer Interface (SPI)
- J2: PICkit Serial Analyzer Interface (I<sup>2</sup>C)
- Pads: VA0, VB0, VW0, VA1, VB1, AVDD, and VSS
- Test Points: A0, B0, A1, and B1
- Connections to unpopulated components

NOTES:



## WORLDWIDE SALES AND SERVICE

### AMERICAS

**Corporate Office**  
2355 West Chandler Blvd.  
Chandler, AZ 85224-6199  
Tel: 480-792-7200  
Fax: 480-792-7277  
Technical Support:  
<http://support.microchip.com>  
Web Address:  
[www.microchip.com](http://www.microchip.com)

**Atlanta**  
Duluth, GA  
Tel: 678-957-9614  
Fax: 678-957-1455

**Boston**  
Westborough, MA  
Tel: 774-760-0087  
Fax: 774-760-0088

**Chicago**  
Itasca, IL  
Tel: 630-285-0071  
Fax: 630-285-0075

**Dallas**  
Addison, TX  
Tel: 972-818-7423  
Fax: 972-818-2924

**Detroit**  
Farmington Hills, MI  
Tel: 248-538-2250  
Fax: 248-538-2260

**Kokomo**  
Kokomo, IN  
Tel: 765-864-8360  
Fax: 765-864-8387

**Los Angeles**  
Mission Viejo, CA  
Tel: 949-462-9523  
Fax: 949-462-9608

**Santa Clara**  
Santa Clara, CA  
Tel: 408-961-6444  
Fax: 408-961-6445

**Toronto**  
Mississauga, Ontario,  
Canada  
Tel: 905-673-0699  
Fax: 905-673-6509

### ASIA/PACIFIC

**Asia Pacific Office**  
Suites 3707-14, 37th Floor  
Tower 6, The Gateway  
Harbour City, Kowloon  
Hong Kong  
Tel: 852-2401-1200  
Fax: 852-2401-3431

**Australia - Sydney**  
Tel: 61-2-9868-6733  
Fax: 61-2-9868-6755

**China - Beijing**  
Tel: 86-10-8528-2100  
Fax: 86-10-8528-2104

**China - Chengdu**  
Tel: 86-28-8665-5511  
Fax: 86-28-8665-7889

**China - Hong Kong SAR**  
Tel: 852-2401-1200  
Fax: 852-2401-3431

**China - Nanjing**  
Tel: 86-25-8473-2460  
Fax: 86-25-8473-2470

**China - Qingdao**  
Tel: 86-532-8502-7355  
Fax: 86-532-8502-7205

**China - Shanghai**  
Tel: 86-21-5407-5533  
Fax: 86-21-5407-5066

**China - Shenyang**  
Tel: 86-24-2334-2829  
Fax: 86-24-2334-2393

**China - Shenzhen**  
Tel: 86-755-8203-2660  
Fax: 86-755-8203-1760

**China - Wuhan**  
Tel: 86-27-5980-5300  
Fax: 86-27-5980-5118

**China - Xiamen**  
Tel: 86-592-2388138  
Fax: 86-592-2388130

**China - Xian**  
Tel: 86-29-8833-7252  
Fax: 86-29-8833-7256

**China - Zhuhai**  
Tel: 86-756-3210040  
Fax: 86-756-3210049

### ASIA/PACIFIC

**India - Bangalore**  
Tel: 91-80-4182-8400  
Fax: 91-80-4182-8422

**India - New Delhi**  
Tel: 91-11-4160-8631  
Fax: 91-11-4160-8632

**India - Pune**  
Tel: 91-20-2566-1512  
Fax: 91-20-2566-1513

**Japan - Yokohama**  
Tel: 81-45-471- 6166  
Fax: 81-45-471-6122

**Korea - Daegu**  
Tel: 82-53-744-4301  
Fax: 82-53-744-4302

**Korea - Seoul**  
Tel: 82-2-554-7200  
Fax: 82-2-558-5932 or  
82-2-558-5934

**Malaysia - Kuala Lumpur**  
Tel: 60-3-6201-9857  
Fax: 60-3-6201-9859

**Malaysia - Penang**  
Tel: 60-4-227-8870  
Fax: 60-4-227-4068

**Philippines - Manila**  
Tel: 63-2-634-9065  
Fax: 63-2-634-9069

**Singapore**  
Tel: 65-6334-8870  
Fax: 65-6334-8850

**Taiwan - Hsin Chu**  
Tel: 886-3-572-9526  
Fax: 886-3-572-6459

**Taiwan - Kaohsiung**  
Tel: 886-7-536-4818  
Fax: 886-7-536-4803

**Taiwan - Taipei**  
Tel: 886-2-2500-6610  
Fax: 886-2-2508-0102

**Thailand - Bangkok**  
Tel: 66-2-694-1351  
Fax: 66-2-694-1350

### EUROPE

**Austria - Wels**  
Tel: 43-7242-2244-39  
Fax: 43-7242-2244-393

**Denmark - Copenhagen**  
Tel: 45-4450-2828  
Fax: 45-4485-2829

**France - Paris**  
Tel: 33-1-69-53-63-20  
Fax: 33-1-69-30-90-79

**Germany - Munich**  
Tel: 49-89-627-144-0  
Fax: 49-89-627-144-44

**Italy - Milan**  
Tel: 39-0331-742611  
Fax: 39-0331-466781

**Netherlands - Drunen**  
Tel: 31-416-690399  
Fax: 31-416-690340

**Spain - Madrid**  
Tel: 34-91-708-08-90  
Fax: 34-91-708-08-91

**UK - Wokingham**  
Tel: 44-118-921-5869  
Fax: 44-118-921-5820

## X-ON Electronics

Largest Supplier of Electrical and Electronic Components

*Click to view similar products for [Daughter Cards & OEM Boards](#) category:*

*Click to view products by [Microchip](#) manufacturer:*

Other Similar products are found below :

[ADZS-21262-1-EZEXT](#) [27911](#) [SPC56ELADPT144S](#) [TMDXRM46CNCD](#) [DM160216](#) [EV-ADUCM350GPIOHZ](#) [EV-ADUCM350-BIO3Z](#)  
[ATSTK521](#) [1130](#) [MA160015](#) [MA180033](#) [MA240013](#) [MA240026](#) [MA320014](#) [MA330014](#) [MA330017](#) [TLK10034SMAEVM](#) [MIKROE-](#)  
[2152](#) [MIKROE-2154](#) [MIKROE-2381](#) [TSSOP20EV](#) [DEV-11723](#) [MIKROE-1108](#) [MIKROE-1516](#) [SPS-READER-GEVK](#) [AC244049](#)  
[AC244050](#) [AC320004-3](#) [2077](#) [ATSMARTCARD-XPRO](#) [EIC - Q600 -230](#) [ATZB-212B-XPRO](#) [SPC560PADPT100S](#) [SPC560BADPT64S](#)  
[MA180018](#) [EIC - Q600 -220](#) [AC164134-1](#) [BOB-12035](#) [STM8/128-D/RAIS](#) [AC164127-6](#) [AC164127-4](#) [AC164134-3](#) [AC164156](#) [MA320021](#)  
[MA320024](#) [DFR0285](#) [DFR0312](#) [DFR0356](#) [MA320023](#) [MIKROE-2564](#)