



**MCP4725**  
**SOT-23-6**  
**Evaluation Board**  
**User's Guide**

---

---

**Note the following details of the code protection feature on Microchip devices:**

- Microchip products meet the specification contained in their particular Microchip Data Sheet.
- Microchip believes that its family of products is one of the most secure families of its kind on the market today, when used in the intended manner and under normal conditions.
- There are dishonest and possibly illegal methods used to breach the code protection feature. All of these methods, to our knowledge, require using the Microchip products in a manner outside the operating specifications contained in Microchip's Data Sheets. Most likely, the person doing so is engaged in theft of intellectual property.
- Microchip is willing to work with the customer who is concerned about the integrity of their code.
- Neither Microchip nor any other semiconductor manufacturer can guarantee the security of their code. Code protection does not mean that we are guaranteeing the product as "unbreakable."

Code protection is constantly evolving. We at Microchip are committed to continuously improving the code protection features of our products. Attempts to break Microchip's code protection feature may be a violation of the Digital Millennium Copyright Act. If such acts allow unauthorized access to your software or other copyrighted work, you may have a right to sue for relief under that Act.

Information contained in this publication regarding device applications and the like is provided only for your convenience and may be superseded by updates. It is your responsibility to ensure that your application meets with your specifications. MICROCHIP MAKES NO REPRESENTATIONS OR WARRANTIES OF ANY KIND WHETHER EXPRESS OR IMPLIED, WRITTEN OR ORAL, STATUTORY OR OTHERWISE, RELATED TO THE INFORMATION, INCLUDING BUT NOT LIMITED TO ITS CONDITION, QUALITY, PERFORMANCE, MERCHANTABILITY OR FITNESS FOR PURPOSE. Microchip disclaims all liability arising from this information and its use. Use of Microchip devices in life support and/or safety applications is entirely at the buyer's risk, and the buyer agrees to defend, indemnify and hold harmless Microchip from any and all damages, claims, suits, or expenses resulting from such use. No licenses are conveyed, implicitly or otherwise, under any Microchip intellectual property rights.

**Trademarks**

The Microchip name and logo, the Microchip logo, Accuron, dsPIC, KEELOQ, KEELOQ logo, microID, MPLAB, PIC, PICmicro, PICSTART, PRO MATE, rfPIC and SmartShunt are registered trademarks of Microchip Technology Incorporated in the U.S.A. and other countries.


AmpLab, FilterLab, Linear Active Thermistor, Migratable Memory, MXDEV, MXLAB, SEEVAL, SmartSensor and The Embedded Control Solutions Company are registered trademarks of Microchip Technology Incorporated in the U.S.A.

Analog-for-the-Digital Age, Application Maestro, CodeGuard, dsPICDEM, dsPICDEM.net, dsPICworks, dsSPEAK, ECAN, ECONOMONITOR, FanSense, FlexROM, fuzzyLAB, In-Circuit Serial Programming, ICSP, ICEPIC, Mindi, MiWi, MPASM, MPLAB Certified logo, MPLIB, MPLINK, PCKit, PICDEM, PICDEM.net, PICLAB, PICTail, PowerCal, PowerInfo, PowerMate, PowerTool, REAL ICE, rfLAB, Select Mode, Smart Serial, SmartTel, Total Endurance, UNI/O, WiperLock and ZENA are trademarks of Microchip Technology Incorporated in the U.S.A. and other countries.

SQTP is a service mark of Microchip Technology Incorporated in the U.S.A.

All other trademarks mentioned herein are property of their respective companies.

© 2007, Microchip Technology Incorporated, Printed in the U.S.A., All Rights Reserved.

 Printed on recycled paper.

**QUALITY MANAGEMENT SYSTEM**  
**CERTIFIED BY DNV**  
**== ISO/TS 16949:2002 ==**

*Microchip received ISO/TS-16949:2002 certification for its worldwide headquarters, design and wafer fabrication facilities in Chandler and Tempe, Arizona; Gresham, Oregon and design centers in California and India. The Company's quality system processes and procedures are for its PIC® MCUs and dsPIC® DSCs, KEELOQ® code hopping devices, Serial EEPROMs, microperipherals, nonvolatile memory and analog products. In addition, Microchip's quality system for the design and manufacture of development systems is ISO 9001:2000 certified.*



# MCP4725 SOT-23-6 EVALUATION BOARD USER'S GUIDE

---

---

## Table of Contents

---

---

<b>Preface</b> .....	<b>1</b>
Introduction.....	1
Document Layout .....	1
Conventions Used in this Guide .....	2
Recommended Reading.....	3
The Microchip Web Site .....	3
Customer Support .....	3
Document Revision History .....	4
<b>Chapter 1. Quick Start Instructions</b> .....	<b>5</b>
1.1 Introduction .....	5
1.2 What is the MCP4725 SOT-23-6 Evaluation Kit .....	5
1.3 Getting Started with PICkit Serial Analyzer .....	5
<b>Appendix A. Schematics and Board Layouts</b> .....	<b>21</b>
A.1 Introduction .....	21
A.2 Board - Schematic .....	22
A.3 Board - Top Layer .....	23
A.4 Board - Top Silk Layer .....	24
A.5 Board - Bottom Layer .....	25
<b>Appendix B. Bill Of Materials (BOM)</b> .....	<b>27</b>
<b>Worldwide Sales and Service</b> .....	<b>28</b>

# MCP4725 SOT-23-6 Evaluation Board User's Guide

---

NOTES:



# MCP4725 SOT-23-6 EVALUATION BOARD USER'S GUIDE

## Preface

### NOTICE TO CUSTOMERS

All documentation becomes dated, and this manual is no exception. Microchip tools and documentation are constantly evolving to meet customer needs, so some actual dialogs and/or tool descriptions may differ from those in this document. Please refer to our web site ([www.microchip.com](http://www.microchip.com)) to obtain the latest documentation available.

Documents are identified with a "DS" number. This number is located on the bottom of each page, in front of the page number. The numbering convention for the DS number is "DSXXXXA", where "XXXX" is the document number and "A" is the revision level of the document.

For the most up-to-date information on development tools, see the MPLAB® IDE on-line help. Select the Help menu, and then Topics to open a list of available on-line help files.

## INTRODUCTION

This chapter contains general information that will be useful to know before using the MCP4725 SOT-23-6 Evaluation Board. Items discussed in this chapter include:

- Document Layout
- Conventions Used in this Guide
- Recommended Reading
- The Microchip Web Site
- Customer Support
- Document Revision History

## DOCUMENT LAYOUT

This document describes how to use the MCP4725 SOT-23-6 Evaluation Board as a development tool to emulate and debug firmware on a target board. The manual layout is as follows:

- **Chapter 1. "Quick Start Instructions"** – this chapter provides an overview of the MCP4725 SOT-23-6 Evaluation Board and instructions on how to program the DAC register and EEPROM of the MCP4725 device.
- **Appendix A. "Schematics and Board Layouts"** – shows the schematic and layout diagrams for the MCP4725 SOT-23-6 Evaluation Board.
- **Appendix B. "Bill Of Materials (BOM)"** – lists the parts used to build the MCP4725 SOT-23-6 Evaluation Board.

# MCP4725 SOT-23-6 Evaluation Board User's Guide

---

## CONVENTIONS USED IN THIS GUIDE

This manual uses the following documentation conventions:

### DOCUMENTATION CONVENTIONS

Description	Represents	Examples
<b>Arial font:</b>		
Italic characters	Referenced books	<i>MPLAB<sup>®</sup> IDE User's Guide</i>
	Emphasized text	...is the <i>only</i> compiler...
Initial caps	A window	the Output window
	A dialog	the Settings dialog
	A menu selection	select Enable Programmer
Quotes	A field name in a window or dialog	"Save project before build"
Underlined, italic text with right angle bracket	A menu path	<u><i>File&gt;Save</i></u>
Bold characters	A dialog button	Click <b>OK</b>
	A tab	Click the <b>Power</b> tab
N'Rnnnn	A number in verilog format, where N is the total number of digits, R is the radix and n is a digit.	4'b0010, 2'hF1
Text in angle brackets < >	A key on the keyboard	Press <Enter>, <F1>
<b>Courier New font:</b>		
Plain Courier New	Sample source code	#define START
	Filenames	autoexec.bat
	File paths	c:\mcc18\h
	Keywords	_asm, _endasm, static
	Command-line options	-Opa+, -Opa-
	Bit values	0, 1
	Constants	0xFF, 'A'
Italic Courier New	A variable argument	<i>file.o</i> , where <i>file</i> can be any valid filename
Square brackets [ ]	Optional arguments	mcc18 [options] <i>file</i> [options]
Curly brackets and pipe character: {   }	Choice of mutually exclusive arguments; an OR selection	errorlevel {0 1}
Ellipses...	Replaces repeated text	var_name [, var_name...]
	Represents code supplied by user	void main (void) { ... }

## RECOMMENDED READING

This user's guide describes how to use MCP4725 SOT-23-6 Evaluation Board. The following Microchip documents are available and recommended as supplemental reference resources.

### **PICKit™ Serial Analyzer User's Guide (DS51647)**

Consult this document for instructions on how to use the PICKit Serial Analyzer hardware and software.

### **MCP4725 Data Sheet, "12-Bit DAC with EEPROM Memory in SOT-23-6" (DS22039)**

This data sheet provides detailed information regarding the MCP4725 product family.

## THE MICROCHIP WEB SITE

Microchip provides online support via our web site at [www.microchip.com](http://www.microchip.com). This web site is used as a means to make files and information easily available to customers. Accessible by using your favorite Internet browser, the web site contains the following information:

- **Product Support** – Data sheets and errata, application notes and sample programs, design resources, user's guides and hardware support documents, latest software releases and archived software
- **General Technical Support** – Frequently Asked Questions (FAQs), technical support requests, online discussion groups, Microchip consultant program member listing
- **Business of Microchip** – Product selector and ordering guides, latest Microchip press releases, listing of seminars and events, listings of Microchip sales offices, distributors and factory representatives

## CUSTOMER SUPPORT

Users of Microchip products can receive assistance through several channels:

- Distributor or Representative
- Local Sales Office
- Field Application Engineer (FAE)
- Technical Support

Customers should contact their distributor, representative or field application engineer for support. Local sales offices are also available to help customers. A listing of sales offices and locations is included in the back of this document.

Technical support is available through the web site at: <http://support.microchip.com>

# MCP4725 SOT-23-6 Evaluation Board User's Guide

---

## DOCUMENT REVISION HISTORY

### Revision A (October 2007)

- Initial Release of this Document.



---

---

## Chapter 1. Quick Start Instructions

---

---

### 1.1 INTRODUCTION

The following sections provide an overview of the MCP4725 SOT-23-6 Evaluation Board and Instruction how to program the DAC register and EEPROM of the MCP4725 device using the PICKit Serial Analyzer. The following sections cover the following topics:

- What is the MCP4725 SOT-23-6 Evaluation Board?
- How to use the MCP4725 SOT-23-6 Evaluation Board with the PICKit Serial Analyzer

### 1.2 WHAT IS THE MCP4725 SOT-23-6 EVALUATION KIT

The MCP4725 SOT-23-6 Evaluation Board contains the MCP4725 single channel 12-Bit Digital-to-Analog Converter (DAC) and I<sup>2</sup>C loading resistors.

The purpose of this board is:

- **Quick evaluation of the MCP4725 features using the PICKit Serial Analyzer:** The user can program the DAC Register or EEPROM using the PICKit Serial Analyzer and measure the MCP4725 device analog output voltage using a voltmeter
- **Easy handling of the MCP4725 device in a tiny SOT23-6 package:** The MCP4725 device is available in a small SOT-23-6 package. This board makes it easy to handle the small package device for user's application evaluations. The user can simply connect the J1 pins on the evaluation board to the user's test board for a quick evaluation of the MCP4725 device. The MCP4725 supports standard mode (100 kHz), fast mode (400 kHz), and high speed mode (3.4 MHz). This evaluation board is using 5 k $\Omega$  for the I<sup>2</sup>C pull-up resistors. This 5 k $\Omega$  supports up to 400 kHz. The user can replace the R<sub>1</sub> and R<sub>3</sub> with lower values (less than 1 k $\Omega$ ) for the high-speed mode (3.4 MHz)

### 1.3 GETTING STARTED WITH PICKIT SERIAL ANALYZER

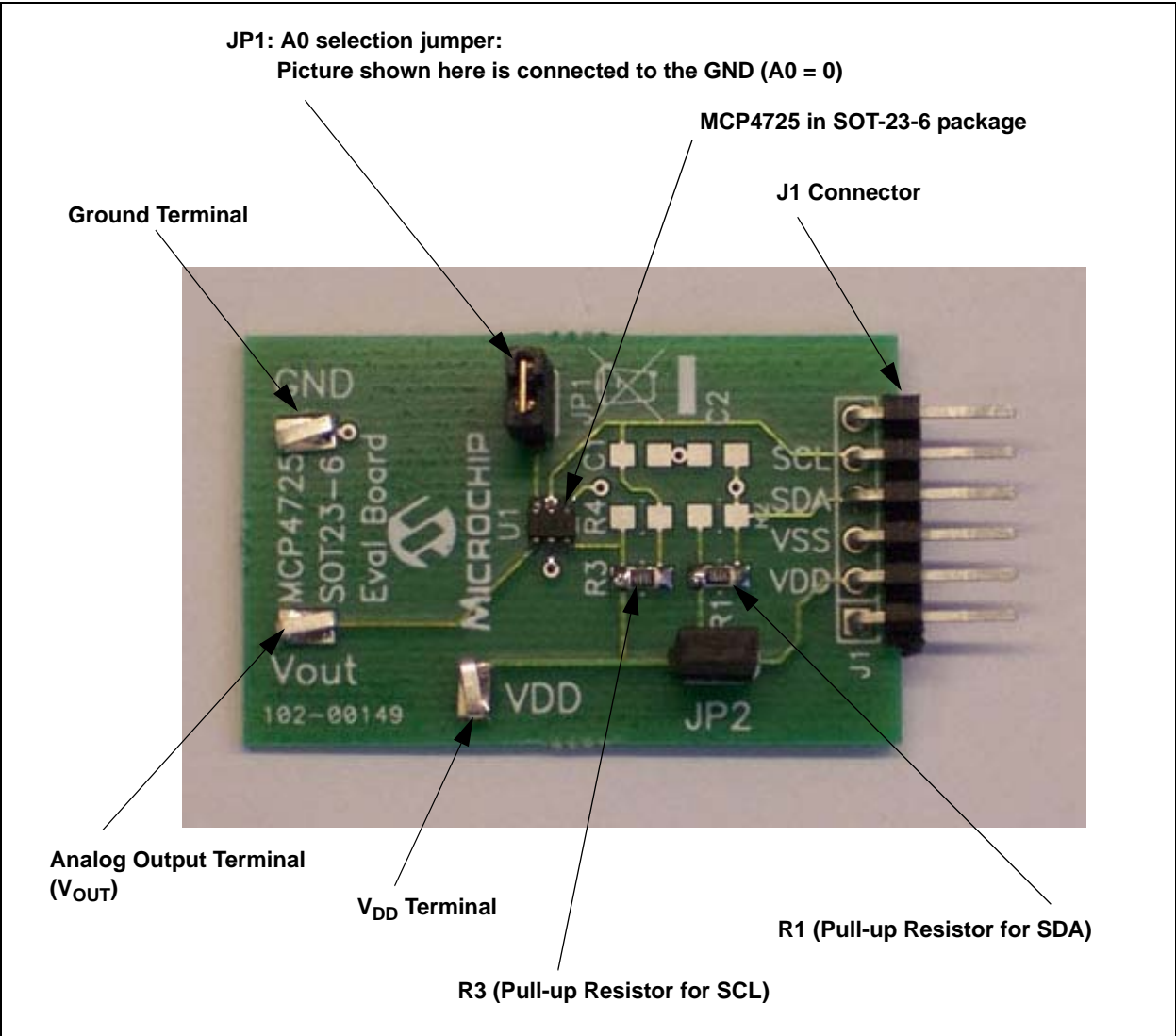
The user can use the MCP4725 SOT-23-6 Evaluation Board in two different ways: (a) together with the PICKit Serial Analyzer or (b) by connecting this board to the user's target board directly.

**Figure 1-1** shows the MCP4725 SOT-23-6 Evaluation Board. The SCL, SDA, V<sub>DD</sub>, and V<sub>SS</sub> pins in the J1 connector are connected to the MCP4725 device.

The MCP4725 SOT-23-6 Evaluation Kit contains two MCP4725 SOT-23-6 Evaluation Boards. This board can easily be programmed using the PICKit Serial Analyzer (DV164122). It is highly recommended that the user order the MCP4725 SOT-23-6 Evaluation Board and the PICKit Serial Analyzer at the same time.

On the MCP4725 SOT-23-6 Evaluation Board, the R<sub>1</sub> and R<sub>3</sub> are the I<sup>2</sup>C pull-up load resistors for the SDA and SCL, respectively. The user can replace them with their own component values of interest. It is also recommended that these pull-up resistors be removed if the user's test board has the pull-up resistors already. The MCP4725 SOT-23-6 Evaluation Board also has footprints for additional pull-up resistors (in parallel with the R<sub>1</sub> and R<sub>3</sub>) and loading capacitors. The user can populate the board with their own components.

# MCP4725 SOT-23-6 Evaluation Board User's Guide



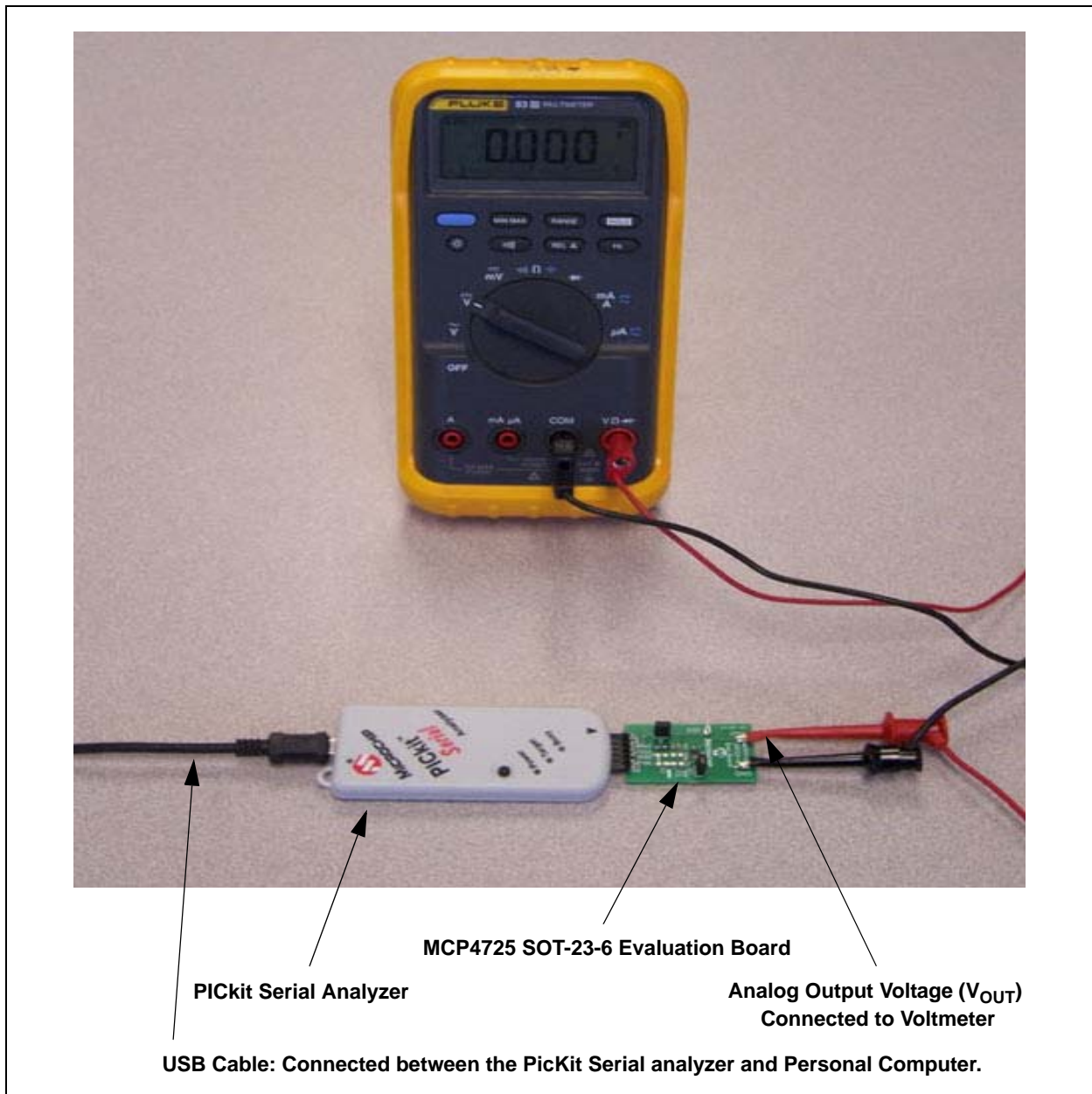
**FIGURE 1-1:** MCP4725 SOT-23-6 Evaluation Board.

## 1.3.1 Getting Started with PICkit Serial Analyzer

This section describes how to evaluate the MCP4725 device using the PICkit Serial Analyzer.

### 1.3.1.1 HARDWARE SET-UP

1. Connect the MCP4725 SOT-23-6 Evaluation Board and the PICkit Serial Analyzer together using the J1 connector.
2. Connect a USB cable between the PICkit Serial Analyzer and a Personal Computer.
3. Connect a Digital Voltmeter to  $V_{OUT}$  and GND terminals on the MCP4725 SOT-23-6 Evaluation Board. [Figure 1-2](#) shows the connection example.

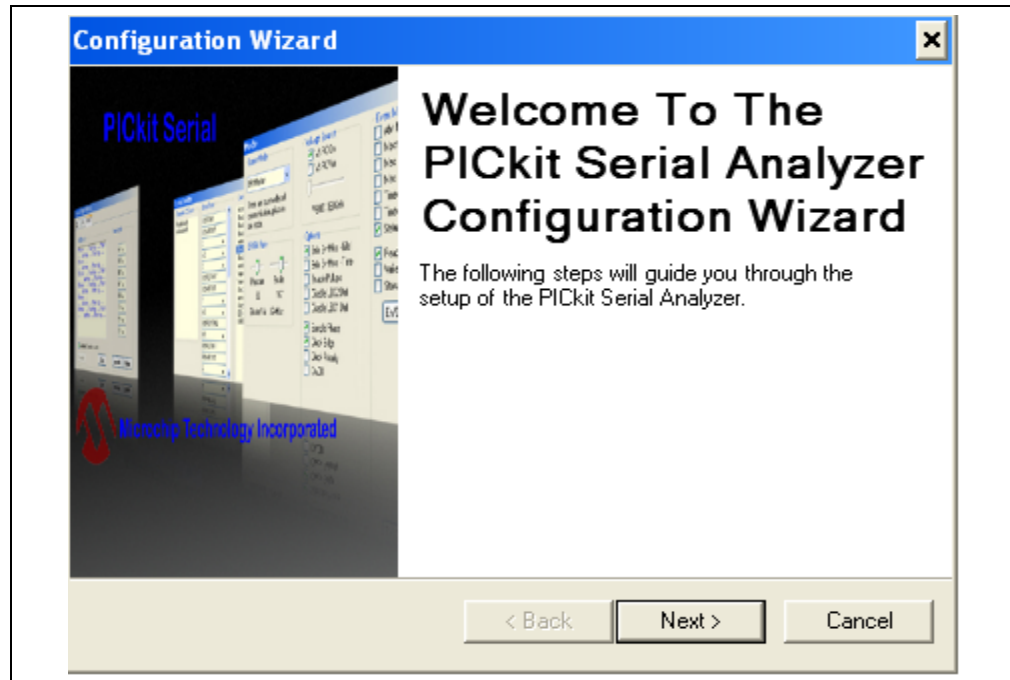


**FIGURE 1-2:** MCP4725 SOT-23-6 Evaluation Board Test Set Up.

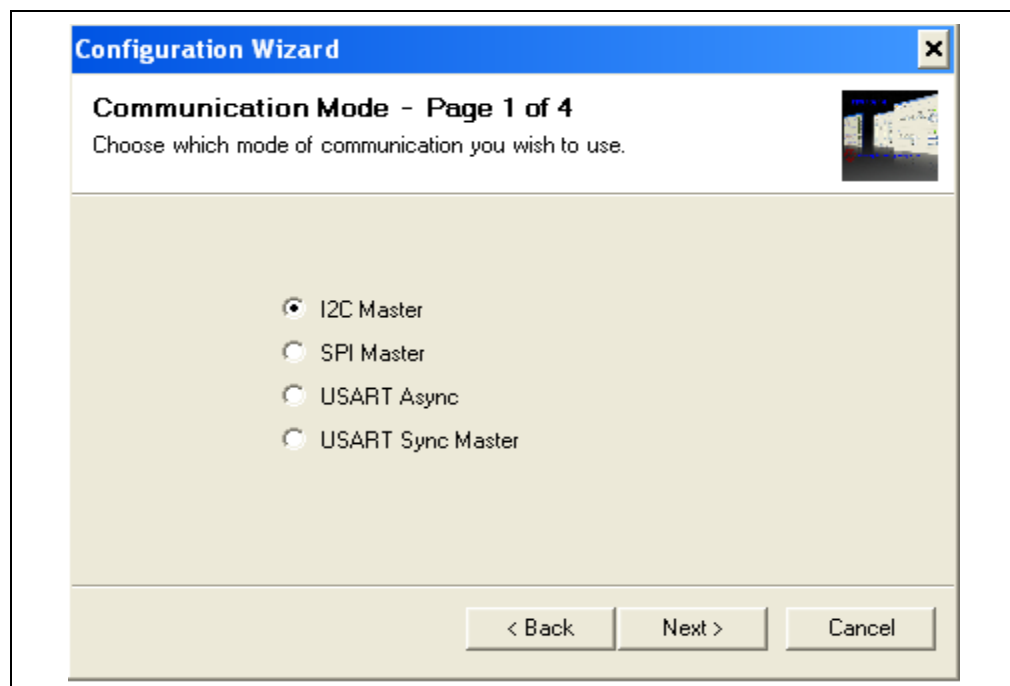
# MCP4725 SOT-23-6 Evaluation Board User's Guide

## 1.3.1.2 PICKIT SERIAL ANALYZER PC SOFTWARE SET-UP FOR DAC DEVICE PROGRAMMING AND ANALOG VOLTAGE OUTPUT MEASUREMENT

1. Install the PICKit Serial Analyzer software in your computer.
2. Connect the USB cable between the PICKit Serial Analyzer and your PC.
3. Run the PICKit Serial PC Software: It will open up the following graphic user interface (GUI). Click **Next >** and follow the instructions:

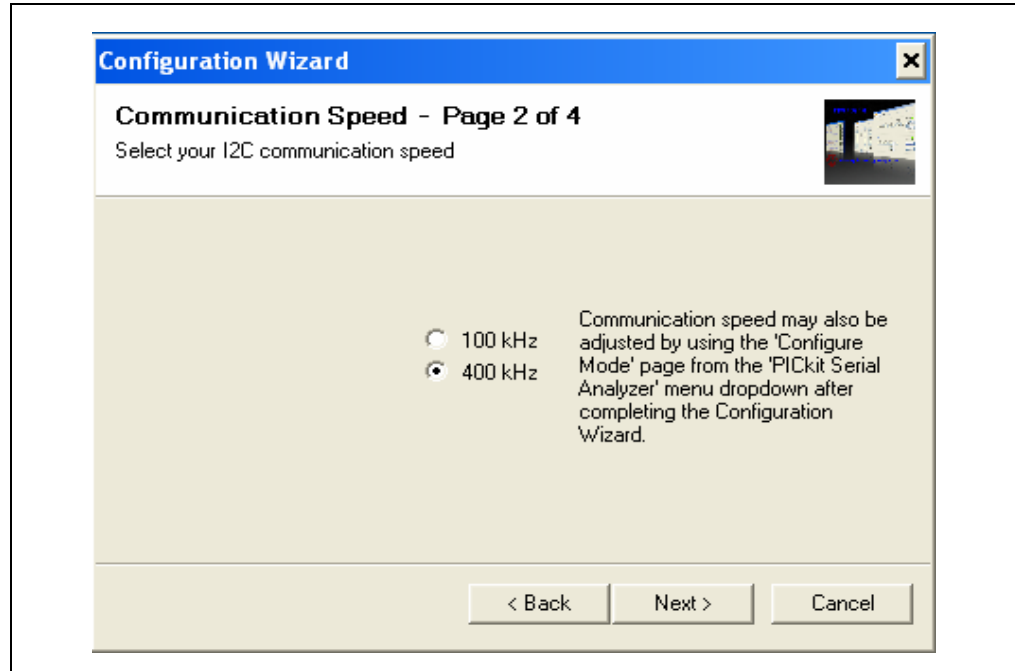


4. Select the **I2C Master** option radio button for the Communication Mode type and click the **Next >** button.



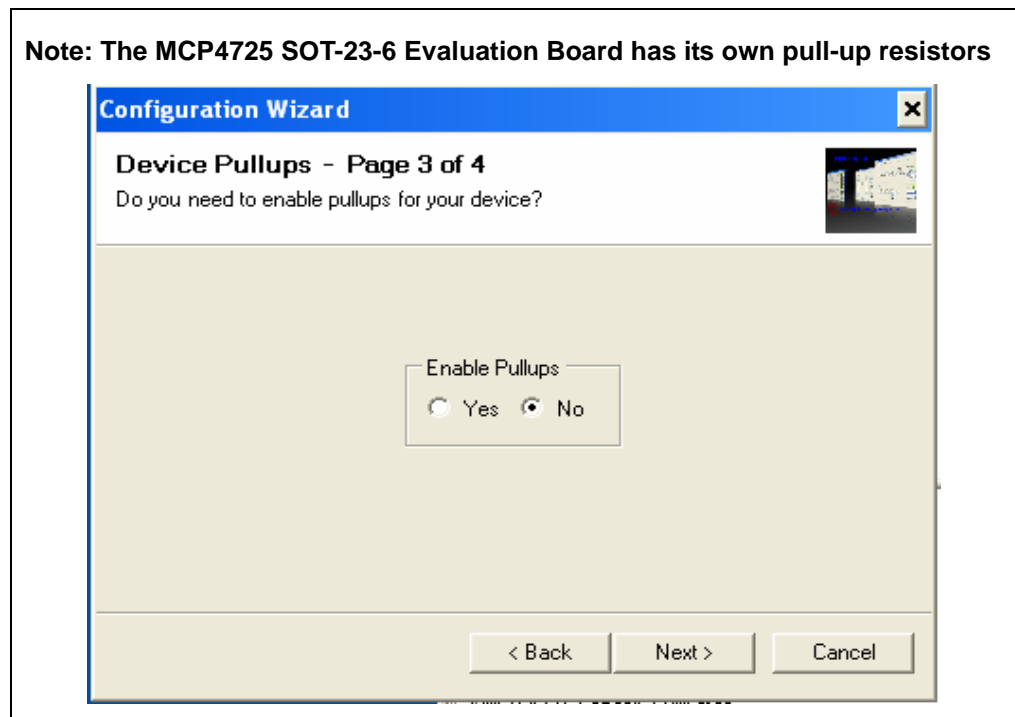
# Quick Start Instructions

5. Select either **100 kHz** option or **400 kHz** option radio button and click the **Next >** button.



**Note:** The MCP4725 SOT-23-6 Evaluation Board supports the I<sup>2</sup>C bus data rate up to 3.4 MHz, but the current version of the PICkit Serial Analyzer only supports the I<sup>2</sup>C bus data rate up to 400 kHz.

6. Select **No** on Device Pullups and click the **Next >** button.



# MCP4725 SOT-23-6 Evaluation Board User's Guide

7. Select the **Voltage Source** option for the MCP4725 SOT-23-6 Evaluation Board and click the **Next >** button.

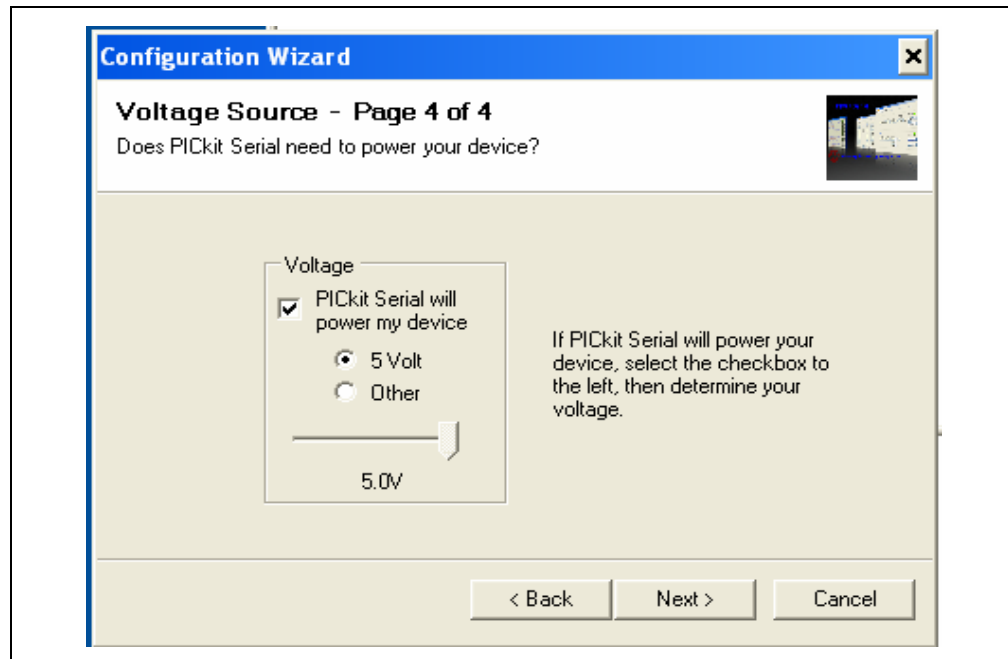
## Case 1: When you use $V_{DD}$ from the PICKit Serial Analyzer:

If you choose **PICKit Serial will power my device** option, and the **5 Volt** option as shown below, the MCP4725 SOT-23-6 Evaluation Board is powered by the 5 VDC from the PICKit Serial Analyzer through the J1 connector. In this case, make sure that the JP2 jumper on the MCP4725 SOT-23-6 Evaluation Board is connected.

You can also click on the **Other** option and move the slide bar for other than 5 volts.

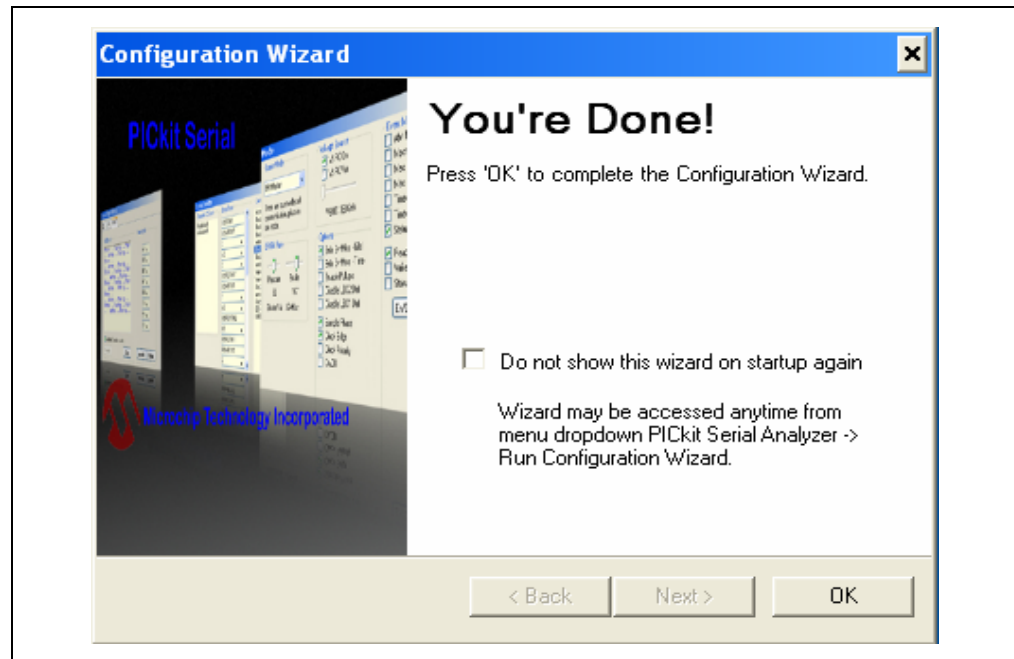
## Case 2: When you use your own $V_{DD}$ :

If you want to provide your own  $V_{DD}$  voltage through the  $V_{DD}$  terminal on the MCP4725 SOT-23-6 Evaluation Board, then do not select the **PICKit Serial will power my device** option. In this case, you have to remove the JP2 jumper on the board and provide the  $V_{DD}$  at the  $V_{DD}$  terminal.



# Quick Start Instructions

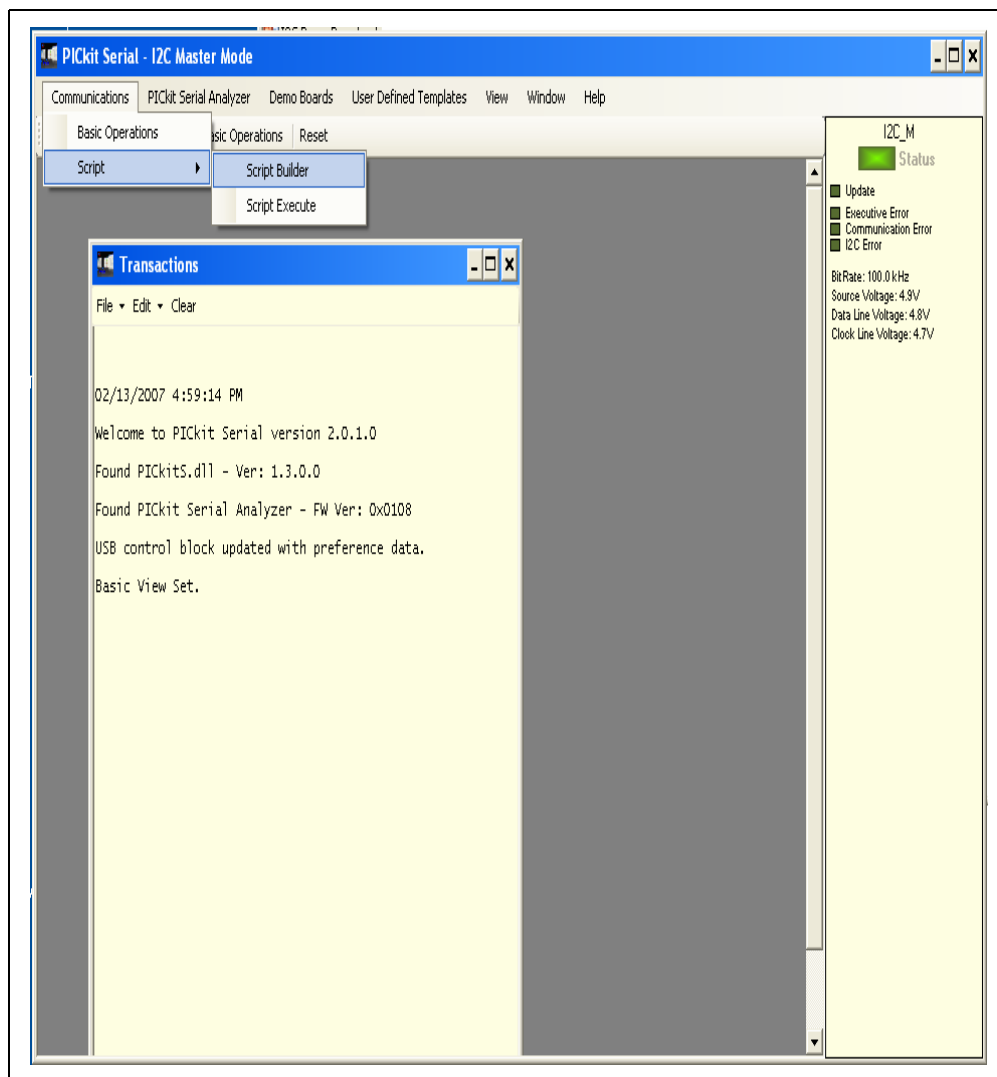
- Click the **OK** button. You have done all PICkit Serial Analyzer Configuration Set-up. You are now ready to program the MCP4725 device using the PICkit Serial Analyzer.



# MCP4725 SOT-23-6 Evaluation Board User's Guide

## 1.3.2 Creating Script File to program the DAC Register and EEPROM Data

1. From the **Communications** tab, select the **Script** option and go to the **Script Builder**.





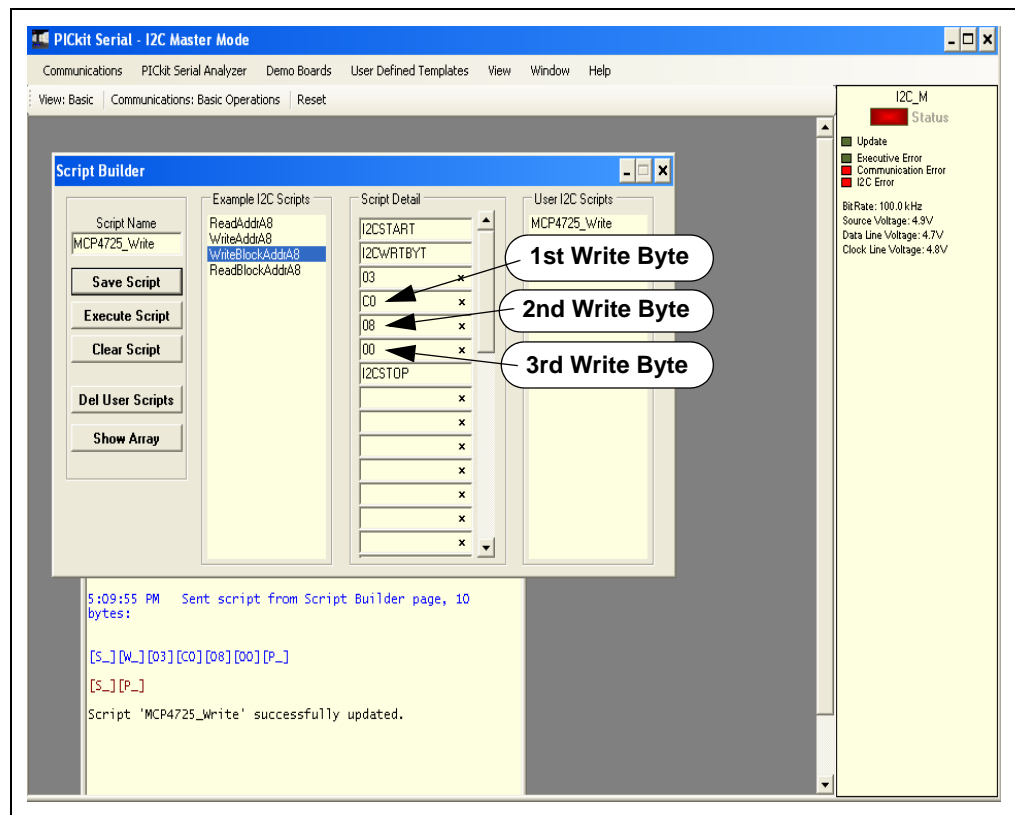
# Quick Start Instructions

2. You need to create a script file using the following instructions.
  - a) Type in any script name (i.e., MCP4725\_Write) in the space below the **Script Name** menu item.
  - b) Type in the following parameters in order in the text box area provided in the **Script Detail** box.

Script Detail
I2CSTART
I2CWRTBYT
03
C0
08
00
I2CSTOP

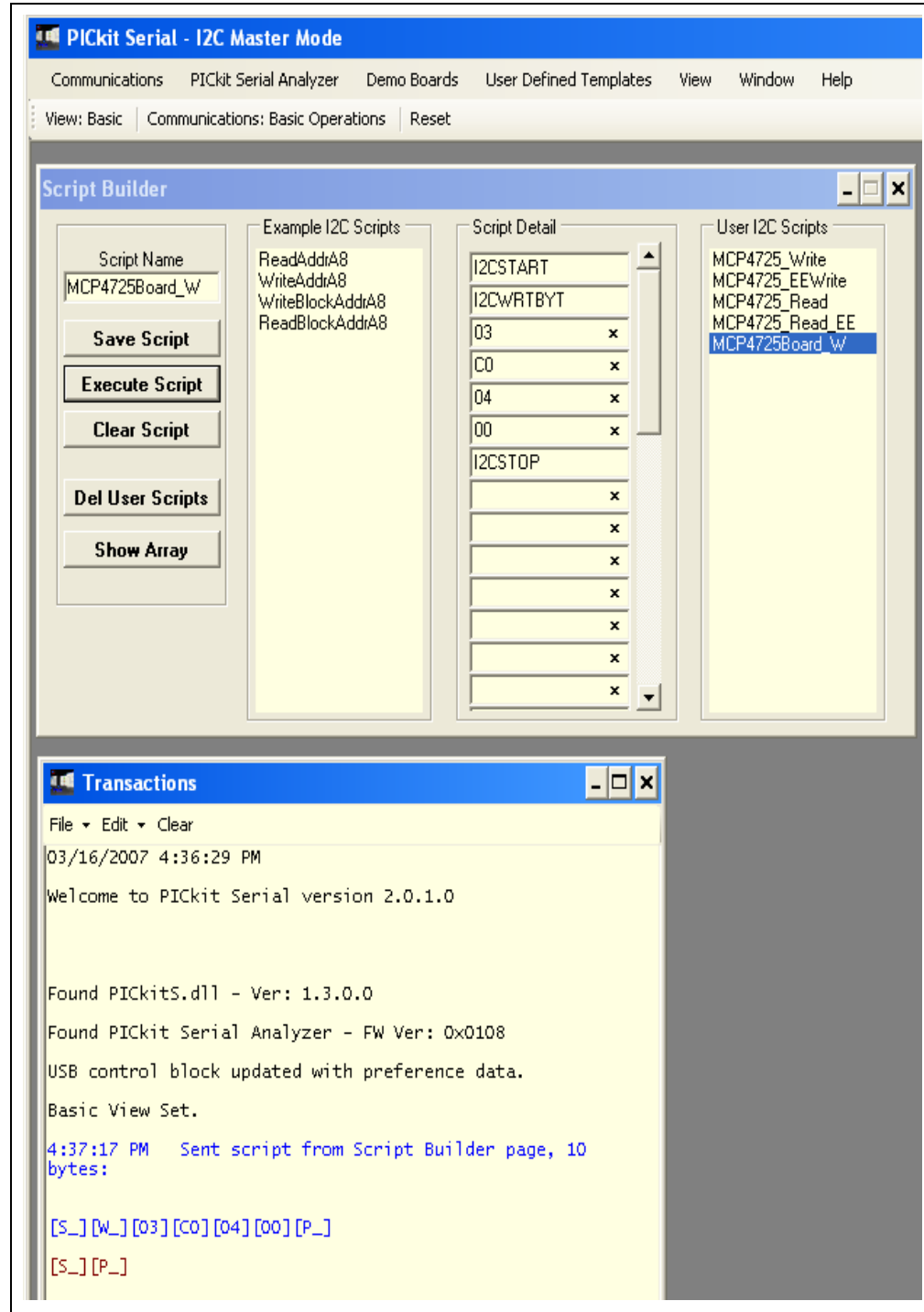
- > This means there are three bytes to send
- > 1st Write Byte: Address byte = 1100-0000
- > 2nd Write Byte: 0000-1000
- > 3rd Write Byte: 0000-0000

**Note:** You can choose any data you want for the 2nd and 3rd write bytes. If you use the above write data, the MPC4725 device will output:  
 $V_{OUT} = V_{DD} * 0.5V.$



# MCP4725 SOT-23-6 Evaluation Board User's Guide

3. Programming DAC Register (Fast Mode)
  - a) Change 2nd and 3rd data bytes you want in the Script Detail.
  - b) Click **Execute Script** Menu item.
  - c) The device gives an analog output voltage ( $V_{OUT}$ ) at the VOUT terminal on the board.



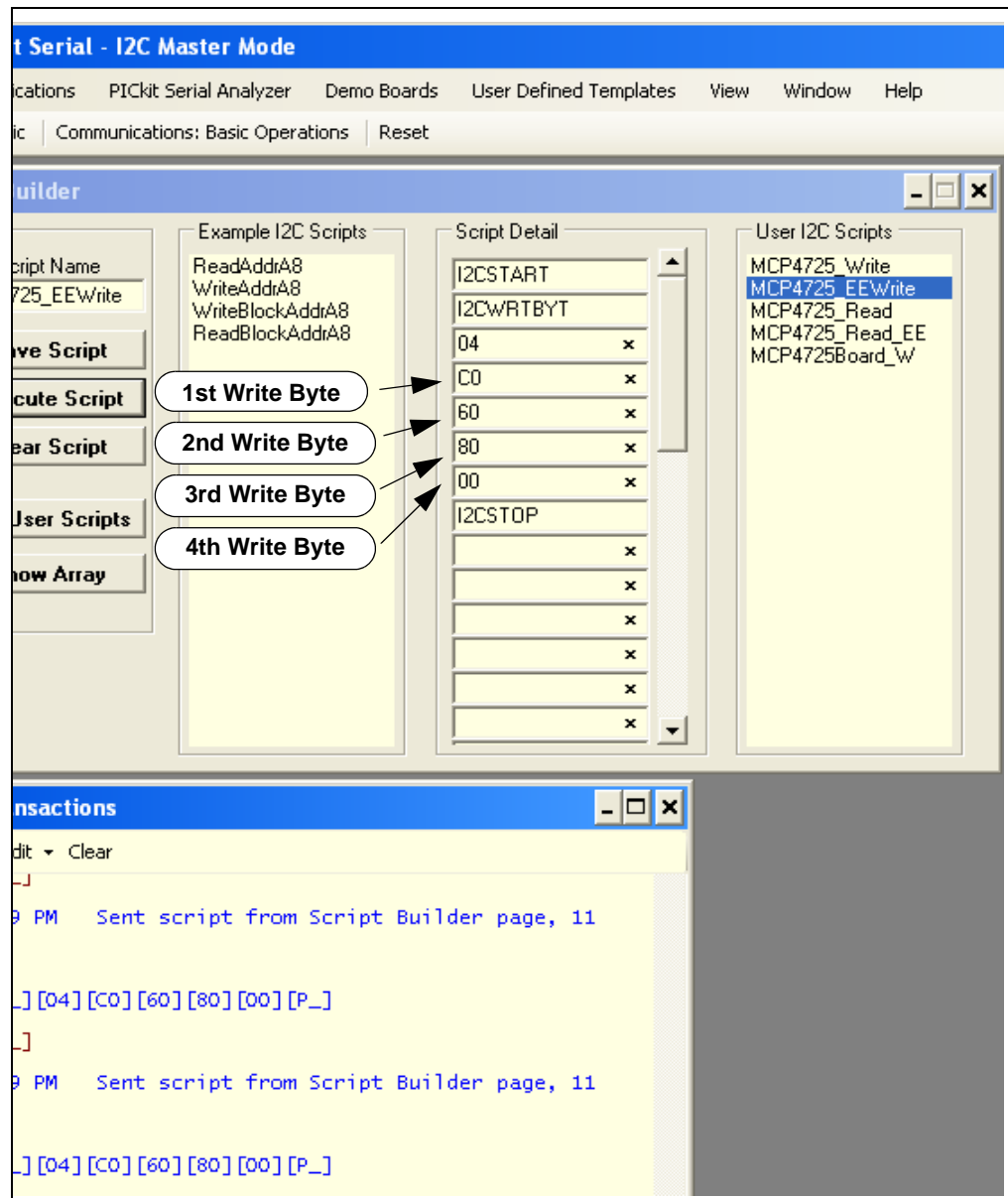
# Quick Start Instructions

## 4. Programming DAC Register and EEPROM

- a) Type in the following parameters in order in the spaces below the **Script Detail** menu and click on the **Execute Script** button.

Script Detail
I2CSTART
I2CWRTBYT
04
C0
60
80
00
I2CSTOP

- > This means Master will send four bytes
- > 1st Write Byte: Address byte = 1100-0000
- > 2nd Write Byte: 0110-0000
- > 3rd Write Byte: 1000-0000
- > 4th Write Byte: 0000-0000



# MCP4725 SOT-23-6 Evaluation Board User's Guide

---

## 5. Verifying the EEPROM Data.

After sending the EEPROM write command in Step 4, the device holds the data in the EEPROM. The data in the EEPROM is non-volatile. To check this non-volatile data, you can remove the  $V_{DD}$  from the MCP4725 SOT-23-6 Evaluation Board once, and bring back up the  $V_{DD}$  again. You will see the same analog voltage output at the  $V_{OUT}$  terminal.

# Quick Start Instructions

## 6. Reading the DAC Register Data using the PICkit Serial Analyzer

This experiment can be done in two steps:

- Write the DAC Register with Fast Mode Command.
- Send Read Command and see the results on the PICkit Serial Transactions page.

The screenshot displays the PICkit Serial Analyzer software interface. The top window is the 'Script Builder' window, which is used to create and execute I2C scripts. The 'Script Name' field contains 'MCP4725\_Read'. The 'Example I2C Scripts' list includes 'ReadAddrA8', 'WriteAddrA8', 'WriteBlockAddrA8', and 'ReadBlockAddrA8'. The 'Script Detail' window shows the following commands and parameters:

Command	Parameter	Value
I2CSTART		
I2CWRTBYT		
	01	x
	C1	x
I2CRDbytNLB		
	3	x
I2CSTOP		
		x
		x
		x
		x
		x
		x
		x

A callout bubble labeled 'Requesting 3 Bytes' points to the '3' parameter in the 'I2CRDbytNLB' command.

The bottom window is the 'Transactions' window, which displays the results of the script execution. The first transaction is a write command:

```
6:30:40 PM Sent script from Script Builder page, 10 bytes:
[S_] [W_] [03] [C0] [08] [00] [P_]
[S_] [P_]
Script 'MCP4725_Read' successfully updated.
```

A callout bubble labeled 'Written Data using a Write Command' points to the first transaction. The second transaction is a read command:

```
6:32:21 PM Sent script from Script Builder page, 10 bytes:
[S_] [W_] [01] [C1] [RN] [03] [P_]
[S_] [C0] [80] [00] [P_]

```

A callout bubble labeled 'Reading Data using a Read Command' points to the second transaction.

# MCP4725 SOT-23-6 Evaluation Board User's Guide

7. Reading both the DAC Register and EEPROM data.

This experiment can be done by two steps:

- (a) Write the DAC Register and EEPROM data using a write command.
- (b) Send Read Command (Request 5 bytes) and see the results on the PICKit Serial Transactions page.

Communications PICKit Serial Analyzer Demo Boards User Defined Templates View Window

View: Basic Communications: Basic Operations Reset

### Script Builder

Script Name: MCP4725\_Read\_EE

Buttons: Save Script, Execute Script, Clear Script, Del User Scripts, Show Array

Example I2C Scripts: ReadAddrA8, WriteAddrA8, WriteBlockAddrA8, ReadBlockAddrA8

Script Detail:

I2CSTART	
I2CWRTBYT	
01	x
C1	x
I2CRDDBYTNLB	
5	x
I2CSTOP	
	x
	x
	x
	x
	x
	x
	x
	x

User I2C 9: MCP4725, MCP4725, MCP4725, MCP4725

### Transactions

File Edit Clear

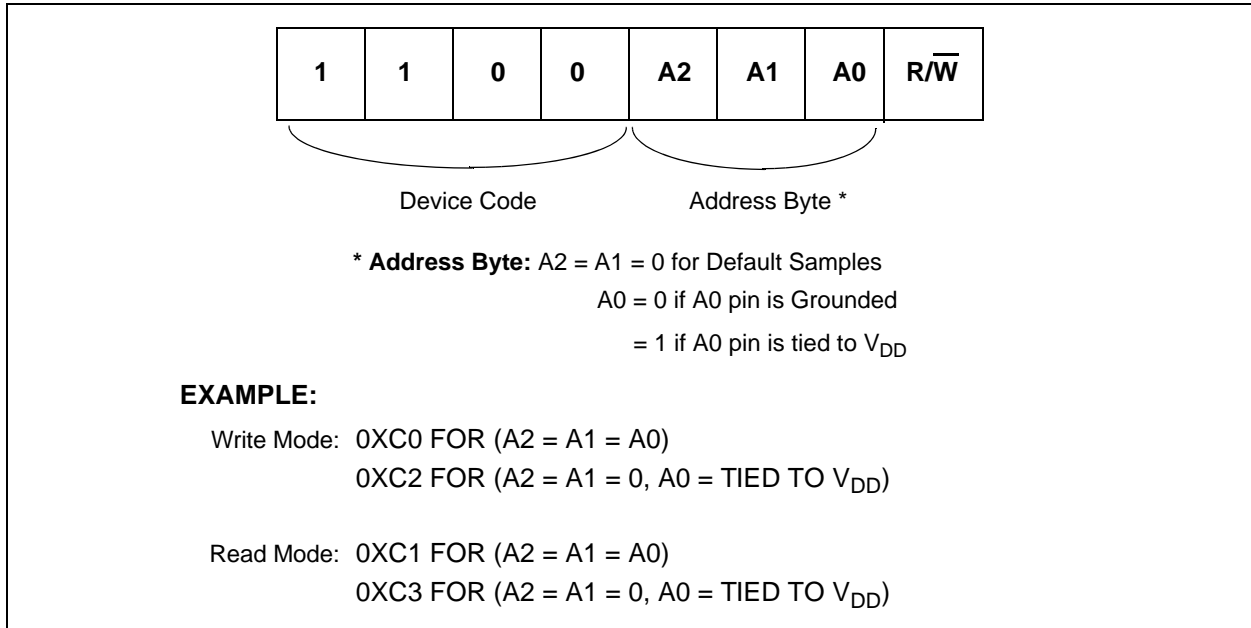
6:41:13 PM Sent script from Script Builder page, 11 bytes:

```
[S_] [W_] [04] [C0] [60] [80] [00] [P_]
[S_] [P_]
DAC Register Data EEPROM Data
```

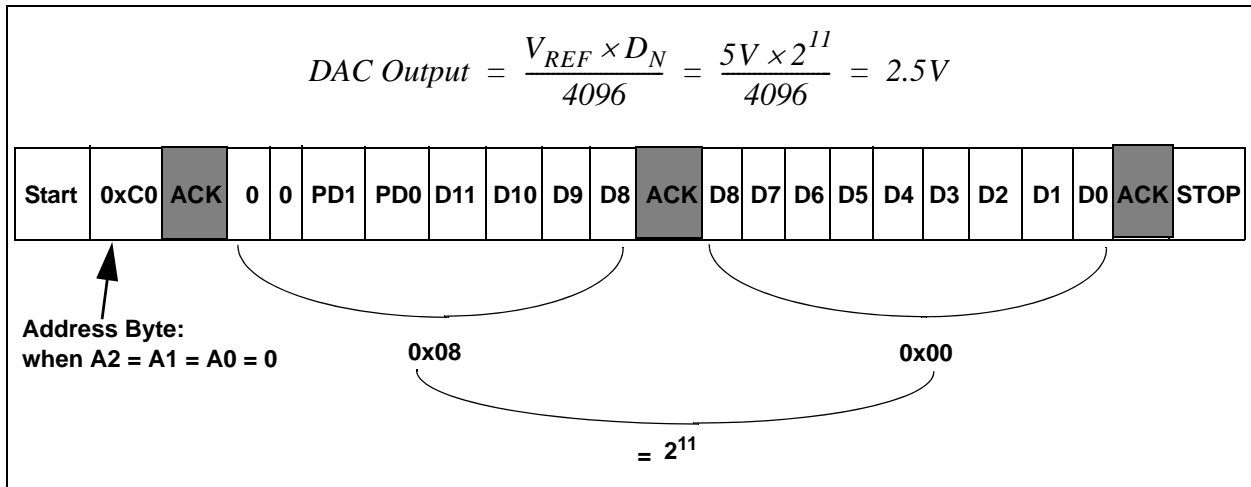
6:41:27 PM Sent script from Script Builder page, 10 bytes:

```
[S_] [W_] [01] [C1] [RN] [05] [P_]
[S_] [C0] [80] [00] [08] [00] [P_]
Reading Data using a Read Command
```

## 1.3.3 Examples of the MCP4725 Programming

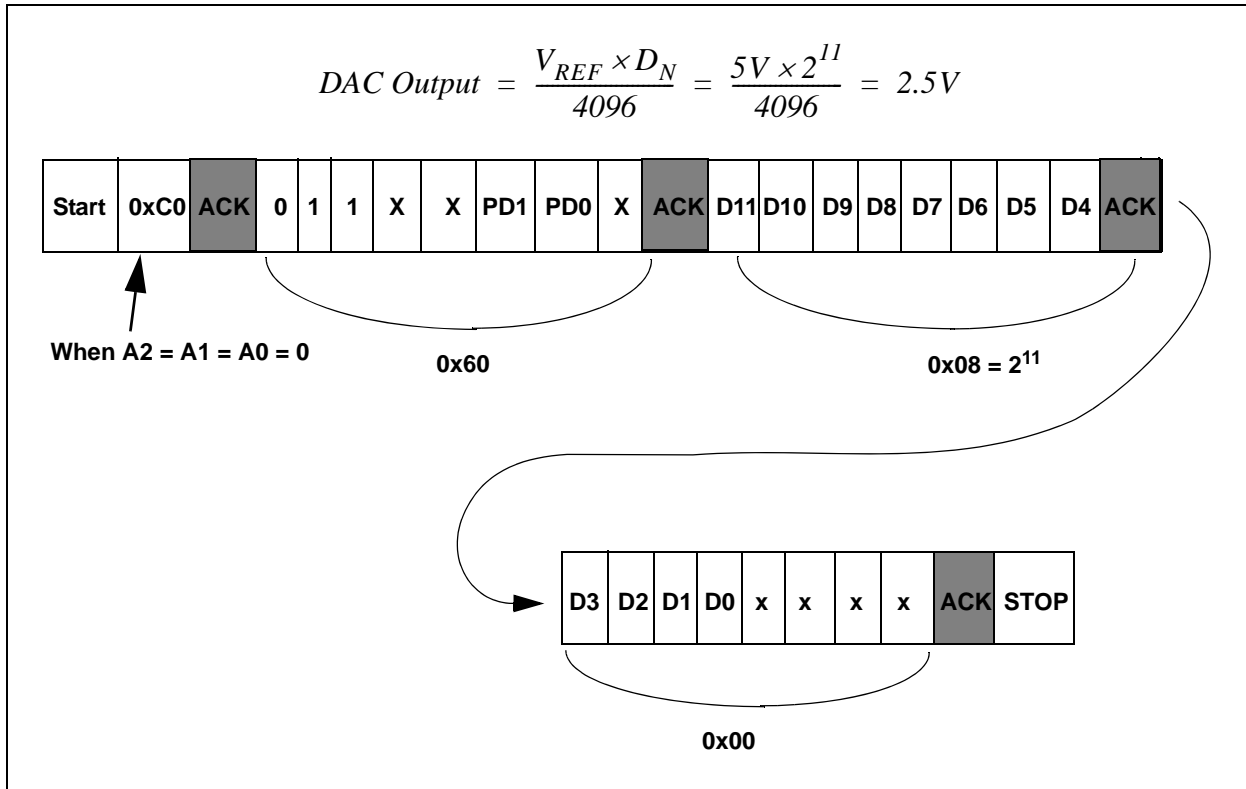


**FIGURE 1-3:** MCP4725 Device Address Byte.



**FIGURE 1-4:** Fast Mode (Write Command) for V<sub>OUT</sub> = 2.5V when V<sub>REF</sub> = 5V.

# MCP4725 SOT-23-6 Evaluation Board User's Guide



**FIGURE 1-5:** Write Command Example for EEPROM and DAC Register for  $V_{OUT} = 2.5V$  when  $V_{REF} = 5V$ .





# MCP4725 SOT-23-6 EVALUATION BOARD USER'S GUIDE

---

---

## Appendix A. Schematics and Board Layouts

---

---

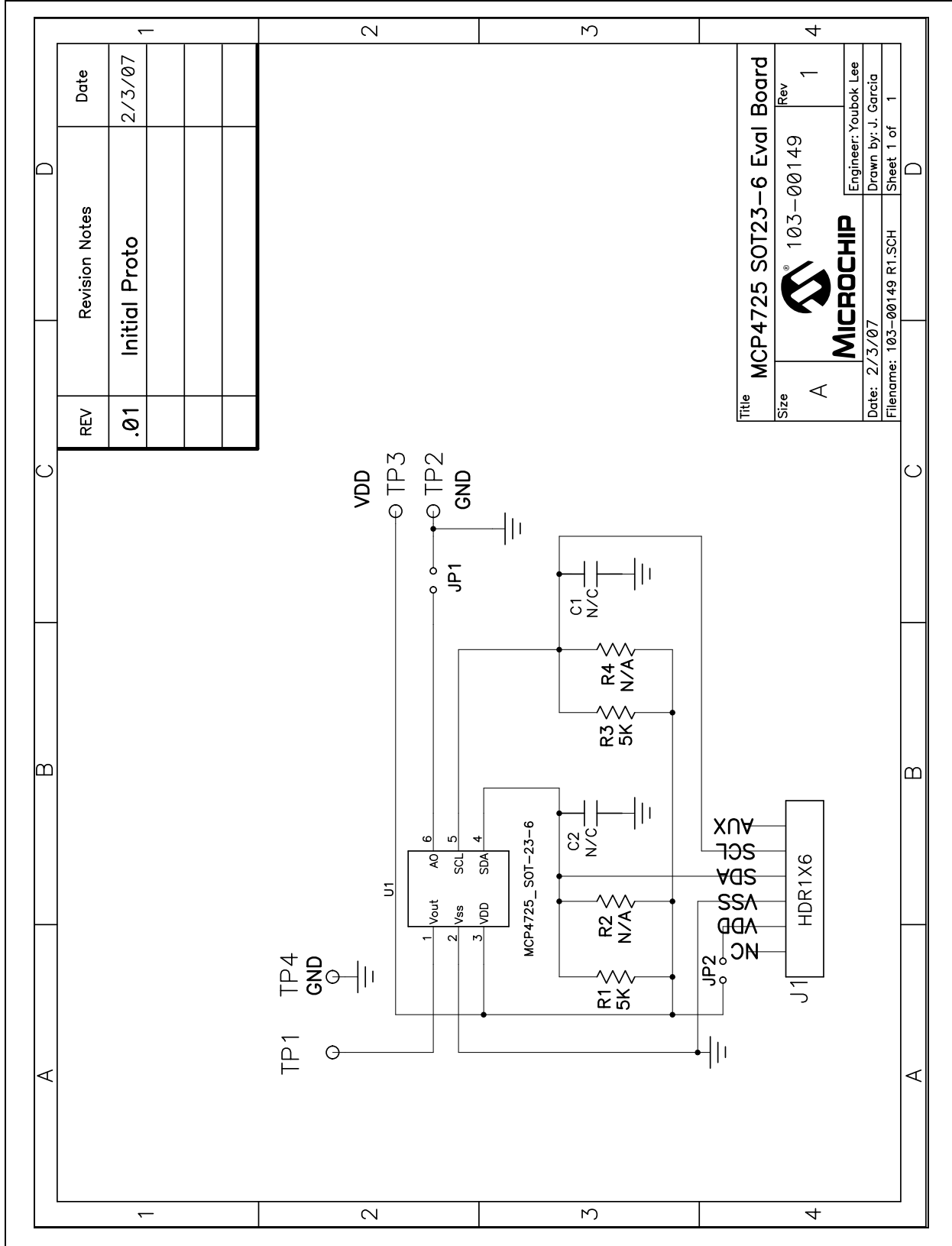
### A.1 INTRODUCTION

This appendix contains the following schematics and layouts for the MCP4725 SOT-23-6 Evaluation Board:

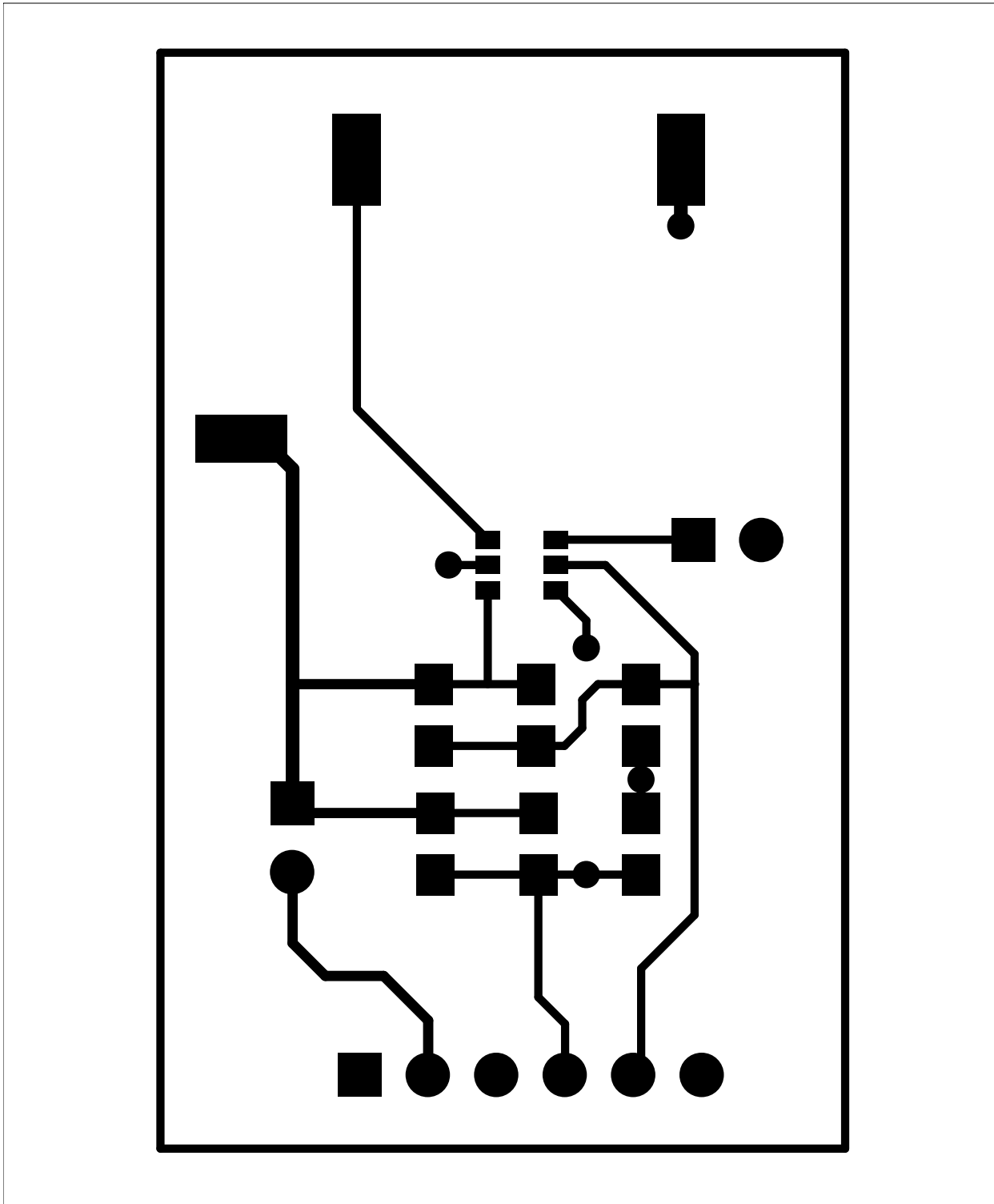
- Board – Schematic
- Board – Top Layer
- Board – Top Silk Layer
- Board – Bottom Metal Layer

# MCP4725 SOT-23-6 Evaluation Board User's Guide

## A.2 BOARD - SCHEMATIC

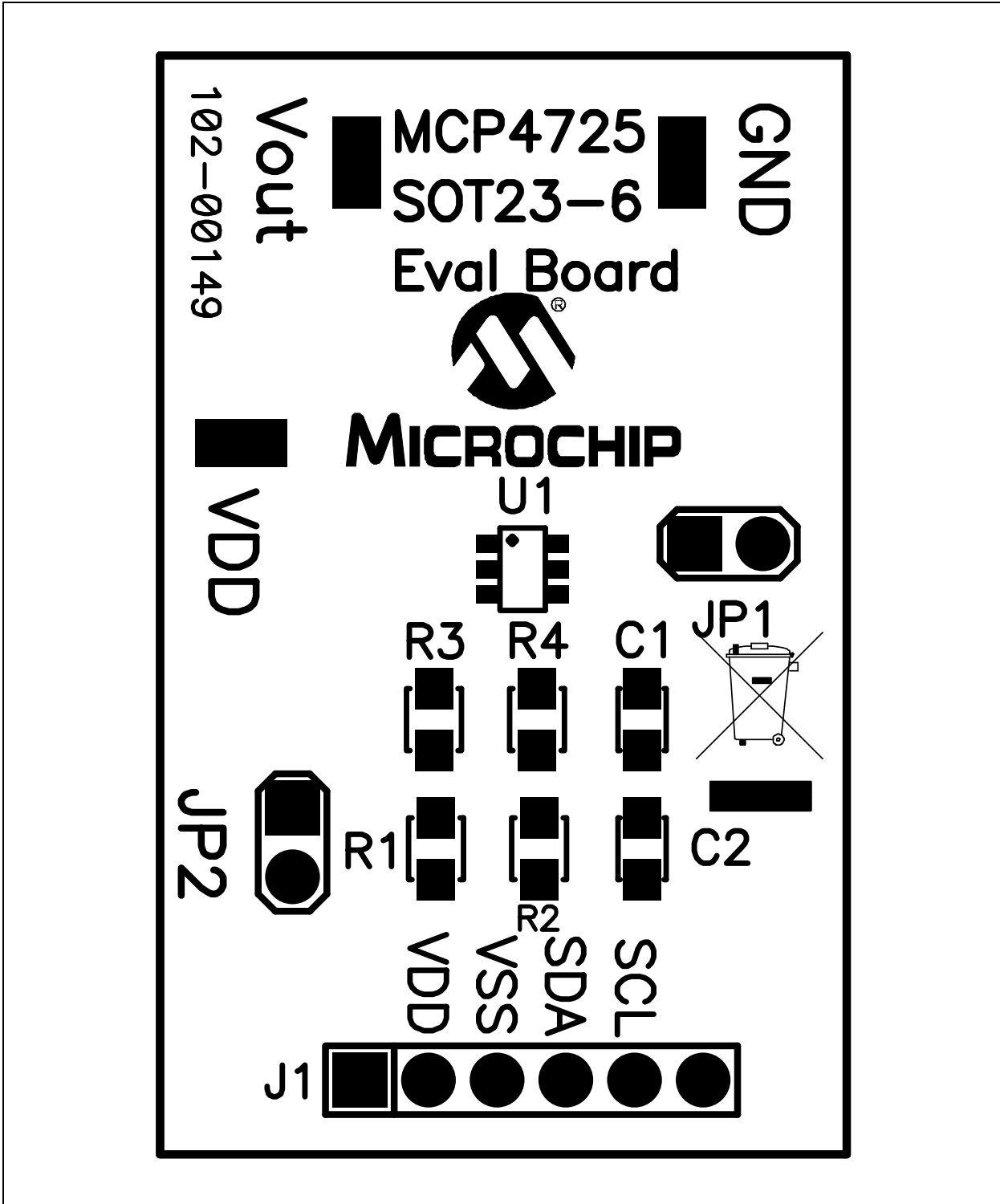


## A.3 BOARD - TOP LAYER

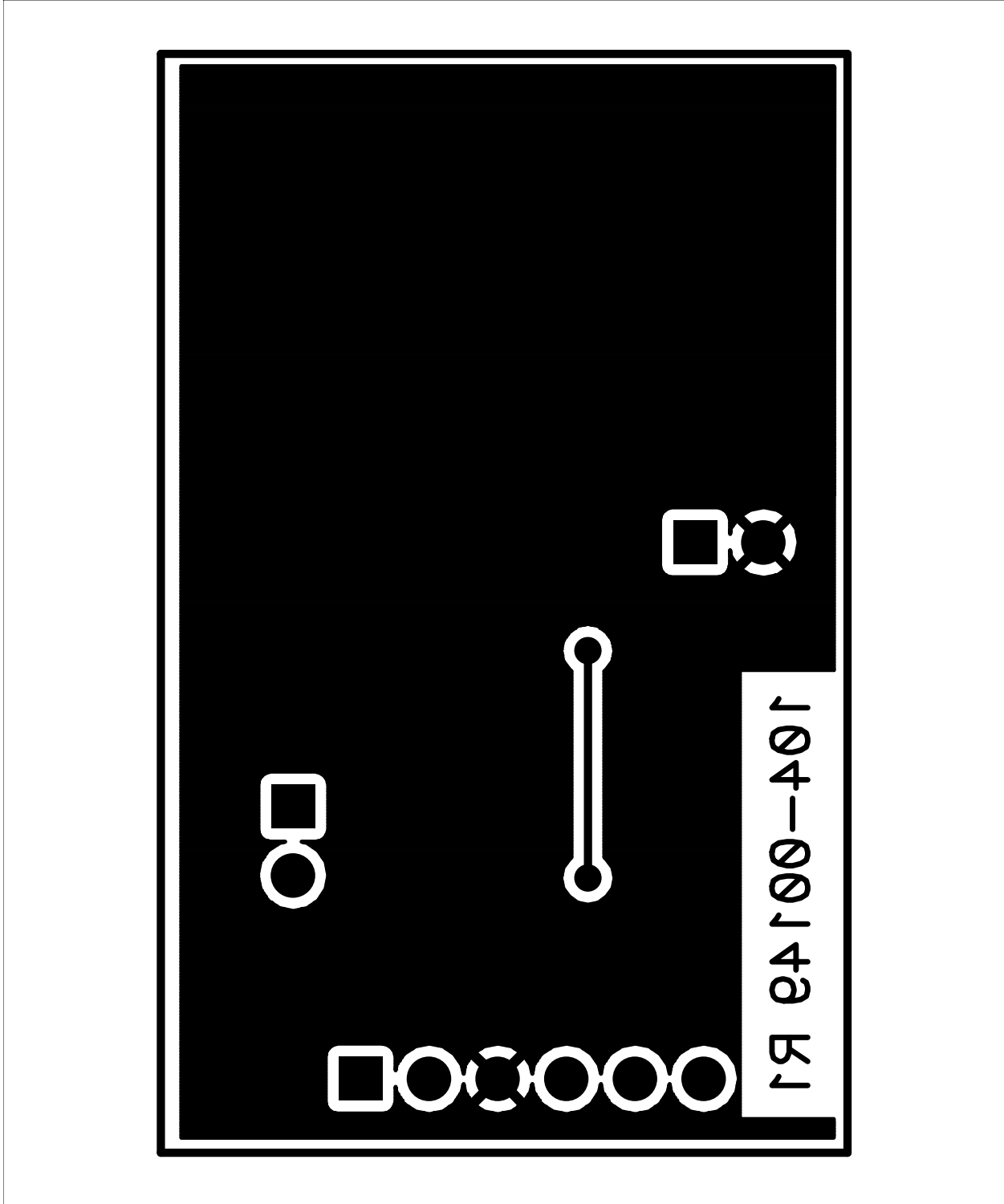


# MCP4725 SOT-23-6 Evaluation Board User's Guide

## A.4 BOARD - TOP SILK LAYER



## A.5 BOARD - BOTTOM LAYER



# MCP4725 SOT-23-6 Evaluation Board User's Guide

---

NOTES:



# MCP4725 SOT-23-6 EVALUATION BOARD USER'S GUIDE

## Appendix B. Bill Of Materials (BOM)

**TABLE B-1: BILL OF MATERIALS (BOM)**

Qty	Reference	Description	Manufacturer	Part Number
2	C1, C2	Not Populated	—	—
3	GND, VDD VOUT	TEST POINT PC COMPACT SMT	Keystone Electronics	5016
1	J1	CONN HEADER 6POS .100 R/A GOLD	Molex/Waldom Electronics Corp	22-28-8062
2	JP1,JP2	CONN HEADER 2POS .100 VERT TIN	Molex/Waldom Electronics Corp	22-28-4020
2	JP1,JP2	CONN JUMPER SHORTING GOLD FLASH	Sullins Electronics Corp.	SPC02SYAN
1	PCB	RoHS Compliant Bare PCB, MCP4725 SOT23-6 Eval Board	—	104-000149
2	R1,R3	RES 4.99K OHM 1/8W 1% 0805 SMD	Panasonic® - ECG	ERJ-6ENF4991V
2	R2,R4	Not Populated	—	—
1	U1	MCP4725_SOT-23-6	Microchip Technology Inc.	MCP4725_SOT-23-6

**Note 1:** The components listed in this Bill of Materials are representative of the PCB assembly. The released BOM used in manufacturing uses all RoHS-compliant components.



---

---

## WORLDWIDE SALES AND SERVICE

---

---

### AMERICAS

**Corporate Office**  
2355 West Chandler Blvd.  
Chandler, AZ 85224-6199  
Tel: 480-792-7200  
Fax: 480-792-7277  
Technical Support:  
<http://support.microchip.com>  
Web Address:  
[www.microchip.com](http://www.microchip.com)

**Atlanta**  
Duluth, GA  
Tel: 678-957-9614  
Fax: 678-957-1455

**Boston**  
Westborough, MA  
Tel: 774-760-0087  
Fax: 774-760-0088

**Chicago**  
Itasca, IL  
Tel: 630-285-0071  
Fax: 630-285-0075

**Dallas**  
Addison, TX  
Tel: 972-818-7423  
Fax: 972-818-2924

**Detroit**  
Farmington Hills, MI  
Tel: 248-538-2250  
Fax: 248-538-2260

**Kokomo**  
Kokomo, IN  
Tel: 765-864-8360  
Fax: 765-864-8387

**Los Angeles**  
Mission Viejo, CA  
Tel: 949-462-9523  
Fax: 949-462-9608

**Santa Clara**  
Santa Clara, CA  
Tel: 408-961-6444  
Fax: 408-961-6445

**Toronto**  
Mississauga, Ontario,  
Canada  
Tel: 905-673-0699  
Fax: 905-673-6509

### ASIA/PACIFIC

**Asia Pacific Office**  
Suites 3707-14, 37th Floor  
Tower 6, The Gateway  
Harbour City, Kowloon  
Hong Kong  
Tel: 852-2401-1200  
Fax: 852-2401-3431

**Australia - Sydney**  
Tel: 61-2-9868-6733  
Fax: 61-2-9868-6755

**China - Beijing**  
Tel: 86-10-8528-2100  
Fax: 86-10-8528-2104

**China - Chengdu**  
Tel: 86-28-8665-5511  
Fax: 86-28-8665-7889

**China - Fuzhou**  
Tel: 86-591-8750-3506  
Fax: 86-591-8750-3521

**China - Hong Kong SAR**  
Tel: 852-2401-1200  
Fax: 852-2401-3431

**China - Nanjing**  
Tel: 86-25-8473-2460  
Fax: 86-25-8473-2470

**China - Qingdao**  
Tel: 86-532-8502-7355  
Fax: 86-532-8502-7205

**China - Shanghai**  
Tel: 86-21-5407-5533  
Fax: 86-21-5407-5066

**China - Shenyang**  
Tel: 86-24-2334-2829  
Fax: 86-24-2334-2393

**China - Shenzhen**  
Tel: 86-755-8203-2660  
Fax: 86-755-8203-1760

**China - Shunde**  
Tel: 86-757-2839-5507  
Fax: 86-757-2839-5571

**China - Wuhan**  
Tel: 86-27-5980-5300  
Fax: 86-27-5980-5118

**China - Xian**  
Tel: 86-29-8833-7252  
Fax: 86-29-8833-7256

### ASIA/PACIFIC

**India - Bangalore**  
Tel: 91-80-4182-8400  
Fax: 91-80-4182-8422

**India - New Delhi**  
Tel: 91-11-4160-8631  
Fax: 91-11-4160-8632

**India - Pune**  
Tel: 91-20-2566-1512  
Fax: 91-20-2566-1513

**Japan - Yokohama**  
Tel: 81-45-471- 6166  
Fax: 81-45-471-6122

**Korea - Daegu**  
Tel: 82-53-744-4301  
Fax: 82-53-744-4302

**Korea - Seoul**  
Tel: 82-2-554-7200  
Fax: 82-2-558-5932 or  
82-2-558-5934

**Malaysia - Kuala Lumpur**  
Tel: 60-3-6201-9857  
Fax: 60-3-6201-9859

**Malaysia - Penang**  
Tel: 60-4-227-8870  
Fax: 60-4-227-4068

**Philippines - Manila**  
Tel: 63-2-634-9065  
Fax: 63-2-634-9069

**Singapore**  
Tel: 65-6334-8870  
Fax: 65-6334-8850

**Taiwan - Hsin Chu**  
Tel: 886-3-572-9526  
Fax: 886-3-572-6459

**Taiwan - Kaohsiung**  
Tel: 886-7-536-4818  
Fax: 886-7-536-4803

**Taiwan - Taipei**  
Tel: 886-2-2500-6610  
Fax: 886-2-2508-0102

**Thailand - Bangkok**  
Tel: 66-2-694-1351  
Fax: 66-2-694-1350

### EUROPE

**Austria - Wels**  
Tel: 43-7242-2244-39  
Fax: 43-7242-2244-393

**Denmark - Copenhagen**  
Tel: 45-4450-2828  
Fax: 45-4485-2829

**France - Paris**  
Tel: 33-1-69-53-63-20  
Fax: 33-1-69-30-90-79

**Germany - Munich**  
Tel: 49-89-627-144-0  
Fax: 49-89-627-144-44

**Italy - Milan**  
Tel: 39-0331-742611  
Fax: 39-0331-466781

**Netherlands - Drunen**  
Tel: 31-416-690399  
Fax: 31-416-690340

**Spain - Madrid**  
Tel: 34-91-708-08-90  
Fax: 34-91-708-08-91

**UK - Wokingham**  
Tel: 44-118-921-5869  
Fax: 44-118-921-5820

10/05/07



## X-ON Electronics

Largest Supplier of Electrical and Electronic Components

*Click to view similar products for [Data Conversion IC Development Tools](#) category:*

*Click to view products by [Microchip](#) manufacturer:*

Other Similar products are found below :

[EVAL-AD7265EDZ](#) [EVAL-AD7719EBZ](#) [EVAL-AD7767-1EDZ](#) [EVAL-AD7995EBZ](#) [AD9211-200EBZ](#) [AD9251-20EBZ](#) [AD9251-65EBZ](#)  
[AD9613-170EBZ](#) [AD9629-20EBZ](#) [AD9716-DPG2-EBZ](#) [AD9737A-EBZ](#) [AD9993-EBZ](#) [DAC8555EVM](#) [EVAL-AD5061EBZ](#) [EVAL-](#)  
[AD5062EBZ](#) [EVAL-AD5443-DBRDZ](#) [EVAL-AD5570SDZ](#) [EVAL-AD7992EBZ](#) [EVAL-AD7994EBZ](#) [AD9119-MIX-EBZ](#) [AD9233-125EBZ](#)  
[AD9629-80EBZ](#) [AD9650-80EBZ](#) [AD9767-EBZ](#) [DAC8531EVM](#) [LM96080EB/NOPB](#) [EVAL-AD5445SDZ](#) [EVAL-AD5660EBZ](#) [EVAL-](#)  
[AD7685SDZ](#) [EVAL-AD7687SDZ](#) [MAX5318PMB#](#) [MAX1246EVL11-QSOP](#) [MAX117EVKIT-DIP](#) [DC2365A-C](#) [DC2795A-B](#) [DC2795A-A](#)  
[DAC088S085EB/NOPB](#) [SIM8909-EVB-KIT](#) [82635ASRCDVKHV 961443](#) [DC1466B-B](#) [EVAL-AD5413SDZ](#) [ADC12D1600RB/NOPB](#) [1083](#)  
[RFPDK FOR CMT2X5X](#) [TS7003DB](#) [TSC2014EVM-PDK](#) [MOD-USB3G](#) [KDC5514EVALZ](#) [650201392G](#) [ISL28005FH-100EVAL1Z](#)