



## MIC23155

### 3MHz PWM 2A Buck Regulator with HyperLight Load<sup>®</sup> and Power Good

#### General Description

The MIC23155 is a high-efficiency 3MHz 2A synchronous buck regulator with HyperLight Load<sup>®</sup> mode, power good output indicator, and programmable soft start. HyperLight Load provides very high efficiency at light loads and ultra-fast transient response which makes the MIC23155 perfectly suited for supplying processor core voltages. An additional benefit of this proprietary architecture is very low output ripple voltage throughout the entire load range with the use of small output capacitors. The tiny 2.5mm x 2.5mm Thin DFN package saves precious board space and requires only four external components.

The MIC23155 is designed for use with a very small inductor, down to 0.47 $\mu$ H, and an output capacitor as small as 2.2 $\mu$ F that enables a total solution size, less than 1mm in height.

The MIC23155 has a very low quiescent current of 22 $\mu$ A and achieves a peak efficiency of 94% in continuous conduction mode. In discontinuous conduction mode, the MIC23155 can achieve 85% efficiency at 1mA.

The MIC23155 is available in a 10-pin 2.5mm x 2.5mm Thin DFN package with an operating junction temperature range from -40 $^{\circ}$ C to +125 $^{\circ}$ C.

Datasheets and support documentation can be found on Micrel's web site at: [www.micrel.com](http://www.micrel.com)

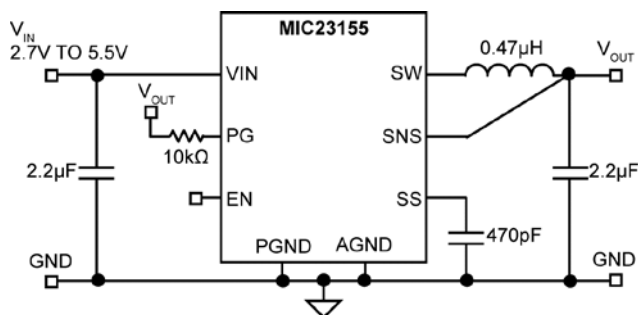
#### Features

- Input voltage: 2.7V to 5.5V
- Output voltage: fixed or adjustable (down to 0.7V)
- Up to 2A output current
- Up to 94% peak efficiency
- 85% typical efficiency at 1mA
- Power good output
- Programmable soft start
- 22 $\mu$ A typical quiescent current
- 3MHz PWM operation in continuous conduction mode
- Ultra-fast transient response
- Active output discharge when disabled
- Low output voltage ripple
- Fully-integrated MOSFET switches
- 0.01 $\mu$ A shutdown current
- Thermal-shutdown and current-limit protection
- 10-pin 2.5mm x 2.5mm Thin DFN
- -40 $^{\circ}$ C to +125 $^{\circ}$ C junction temperature range

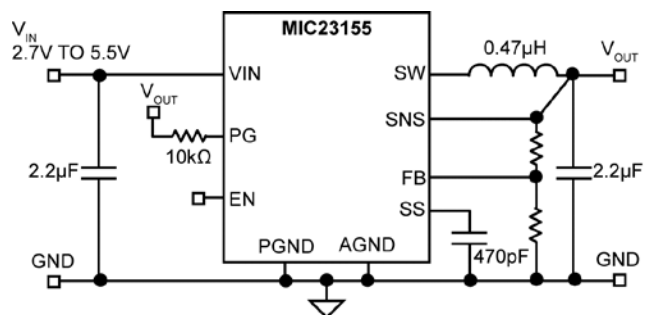
#### Applications

- Solid state drives (SSD)
- Smart phones
- Tablet PCs
- Mobile handsets
- Portable devices (PMP, PND, UMPC)
- WiFi/WiMax/WiBro applications

#### Typical Application



Fixed Output Voltage



Adjustable Output Voltage

HyperLight Load is a registered trademark of Micrel, Inc.

Micrel Inc. • 2180 Fortune Drive • San Jose, CA 95131 • USA • tel +1 (408) 944-0800 • fax + 1 (408) 474-1000 • <http://www.micrel.com>

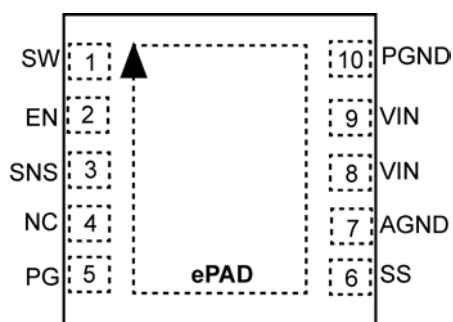
## Ordering Information

Part Number	Marking Code	Nominal Output Voltage	Junction Temperature Range	Package
MIC23155-GYMT	QLG	1.8V	-40°C to +125°C	10-Pin 2.5mm x 2.5mm Thin DFN
MIC23155YMT	QLA	Adjustable	-40°C to +125°C	10-Pin 2.5mm x 2.5mm Thin DFN

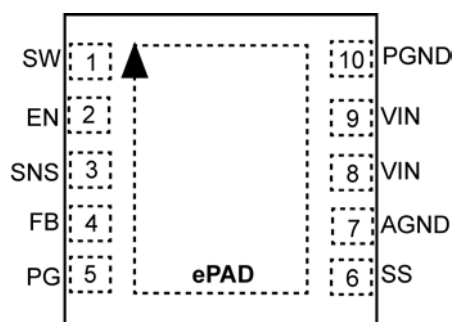
**Notes:**

1. Other fixed output voltage options available. Contact Micrel Marketing for details.
2. Thin DFN is a GREEN RoHS-compliant package. Lead finish is NiPdAu. Mold compound is Halogen Free.
3. Thin DFN ▲ = Pin 1 identifier.

## Pin Configuration



2.5mm x 2.5mm Thin DFN (MT)  
Fixed Output Voltage  
(Top View)



2.5mm x 2.5mm Thin DFN (MT)  
Adjustable Output Voltage  
(Top View)

## Pin Description

Pin Number (Fixed)	Pin Number (Adjustable)	Pin Name	Pin Function
1	1	SW	Output Switch Node
2	2	EN	Enable: Logic high enables operation of the regulator. Logic low will shut down the device. Do not leave floating.
3	3	SNS	Output Voltage Sensing Pin. When disabled, provides output discharge.
4	-	NC	Not internally connected.
-	4	FB	Feedback connection for output voltage sensing.
5	5	PG	Power Good Indicator. Open drain output.
6	6	SS	Programmable Soft-Start Pin. Do not leave floating.
7	7	AGND	Analog Ground. Ground path for bias and control circuitry.
8,9	8,9	VIN	Input Voltage Supply.
10	10	PGND	Power Ground. Ground path for high current circuitry.
ePAD	ePAD	ePAD	Exposed heat sink pad. Connect to PGND.

**Absolute Maximum Ratings<sup>(1)</sup>**

Supply Voltage ( $V_{IN}$ )	-0.3V to 6V
Sense Voltage ( $V_{SNS}$ )	-0.3V to $V_{IN}$
Output Switch Voltage ( $V_{SW}$ )	-0.3V to $V_{IN}$
Enable Input Voltage ( $V_{EN}$ )	-0.3V to $V_{IN}$
Power Good Voltage ( $V_{PG}$ )	-0.3V to $V_{IN}$
Storage Temperature Range	-65°C to +150°C
Lead temperature (soldering, 10 sec.)	260°C
ESD Rating <sup>(3)</sup>	ESD Sensitive

**Operating Ratings<sup>(2)</sup>**

Supply Voltage ( $V_{IN}$ )	2.7V to 5.5V
Enable Input Voltage ( $V_{EN}$ )	0V to $V_{IN}$
Sense Voltage ( $V_{SNS}$ )	0.7V to $V_{IN}$
Junction Temperature Range ( $T_J$ )	-40°C ≤ $T_J$ ≤ +125°C
Thermal Resistance	
2.5mm x 2.5mm Thin DFN-10 ( $\theta_{JA}$ )	90°C/W
2.5mm x 2.5mm Thin DFN-10 ( $\theta_{JC}$ )	63°C/W

**Electrical Characteristics<sup>(4)</sup>**

$T_A = 25^\circ\text{C}$ ;  $V_{IN} = V_{EN} = 3.6\text{V}$ ;  $L = 1.0\mu\text{H}$ ;  $C_{OUT} = 4.7\mu\text{F}$  unless otherwise specified. **Bold** values indicate  $-40^\circ\text{C} \leq T_J \leq +125^\circ\text{C}$ , unless otherwise noted.

Parameter	Condition	Min.	Typ.	Max.	Units
Supply Voltage Range		<b>2.7</b>		<b>5.5</b>	V
Undervoltage Lockout Threshold	Rising	<b>2.45</b>	2.55	<b>2.65</b>	V
Undervoltage Lockout Hysteresis			75		mV
Quiescent Current	$I_{OUT} = 0\text{mA}$ , $SNS > 1.2 * V_{OUTNOM}$		22	<b>45</b>	$\mu\text{A}$
Shutdown Current	$V_{EN} = 0\text{V}$ ; $V_{IN} = 5.5\text{V}$		0.01	<b>5</b>	$\mu\text{A}$
Output Voltage Accuracy (Fixed)	$V_{IN} = 3.6\text{V}$ if $V_{OUTNOM} < 2.5\text{V}$ , $I_{LOAD} = 20\text{mA}$ $V_{IN} = 4.5\text{V}$ if $V_{OUTNOM} \geq 2.5\text{V}$ , $I_{LOAD} = 20\text{mA}$	<b>-2.5</b>		<b>+2.5</b>	%
Feedback Regulation Voltage	$I_{LOAD} = 20\text{mA}$	<b>0.6045</b>	0.62	<b>0.6355</b>	V
Feedback Bias Current	$I_{FB}$		1		nA
Current Limit	$SNS = 0.9 * V_{OUTNOM}$	<b>2.2</b>	3.3		A
Output Voltage Line Regulation	$V_{IN} = 3.6\text{V}$ to $5.5\text{V}$ if $V_{OUTNOM} < 2.5\text{V}$ , $I_{LOAD} = 20\text{mA}$ $V_{IN} = 4.5\text{V}$ to $5.5\text{V}$ if $V_{OUTNOM} \geq 2.5\text{V}$ , $I_{LOAD} = 20\text{mA}$		0.3		%/V
Output Voltage Load Regulation	$20\text{mA} < I_{LOAD} < 500\text{mA}$ , $V_{IN} = 3.6\text{V}$ if $V_{OUTNOM} < 2.5\text{V}$ $20\text{mA} < I_{LOAD} < 500\text{mA}$ , $V_{IN} = 5.0\text{V}$ if $V_{OUTNOM} \geq 2.5\text{V}$		0.3		%
	$20\text{mA} < I_{LOAD} < 1\text{A}$ , $V_{IN} = 3.6\text{V}$ if $V_{OUTNOM} < 2.5\text{V}$ $20\text{mA} < I_{LOAD} < 1\text{A}$ , $V_{IN} = 5.0\text{V}$ if $V_{OUTNOM} \geq 2.5\text{V}$		0.7		%
PWM Switch $R_{DS(on)}$	$I_{SW} = 100\text{mA}$ PMOS $I_{SW} = -100\text{mA}$ NMOS		0.20 0.19		$\Omega$
Switching Frequency	$I_{OUT} = 180\text{mA}$		3		MHz
Soft Start Time	$V_{OUT} = 90\%$ , $C_{SS} = 470\text{pF}$		320		$\mu\text{s}$
Soft Start Current	$V_{SS} = 0\text{V}$		2.7		$\mu\text{A}$
Power Good Threshold (Rising)		85	91	95	%
Power Good Threshold Hysteresis			7		%
Power Good Delay Time	Rising		68		$\mu\text{s}$
Power Good Pull-Down Resistance			165		$\Omega$

**Notes:**

- Exceeding the absolute maximum rating may damage the device.
- The device is not guaranteed to function outside its operating rating.
- Devices are ESD sensitive. Handling precautions recommended. Human body model, 1.5k $\Omega$  in series with 100pF.
- Specification for packaged product only.

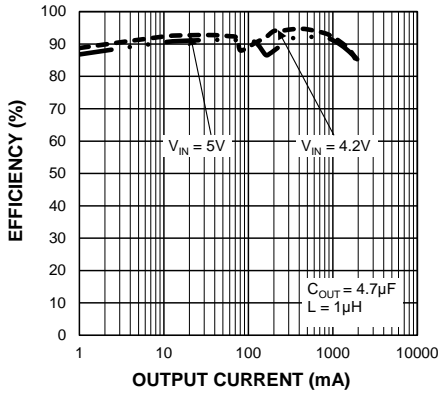
## Electrical Characteristics<sup>(4)</sup> (Continued)

$T_A = 25^\circ\text{C}$ ;  $V_{IN} = V_{EN} = 3.6\text{V}$ ;  $L = 1.0\mu\text{H}$ ;  $C_{OUT} = 4.7\mu\text{F}$  unless otherwise specified. **Bold** values indicate  $-40^\circ\text{C} \leq T_J \leq +125^\circ\text{C}$ , unless otherwise noted.

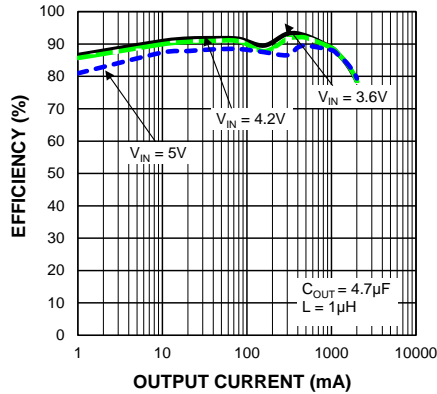
Parameter	Condition	Min.	Typ.	Max.	Units
Enable Input Voltage	Logic Low			<b>0.5</b>	V
	Logic High	<b>1.2</b>			V
Enable Input Current			0.1	<b>2</b>	$\mu\text{A}$
Output Discharge Resistance	EN = 0V		165		$\Omega$
Overtemperature Shutdown			160		$^\circ\text{C}$
Shutdown Hysteresis			20		$^\circ\text{C}$

# Typical Characteristics

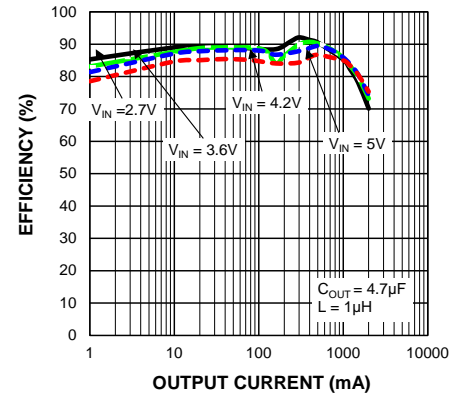
**Efficiency ( $V_{OUT} = 3.3V$ ) vs. Output Current**



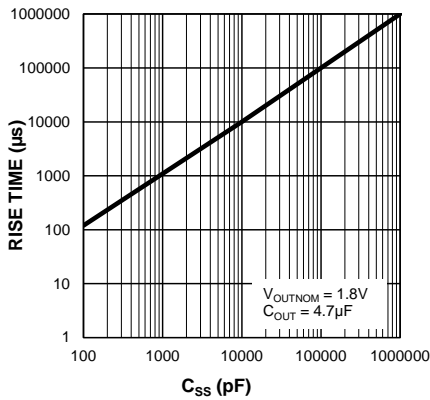
**Efficiency ( $V_{OUT} = 2.5V$ ) vs. Output Current**



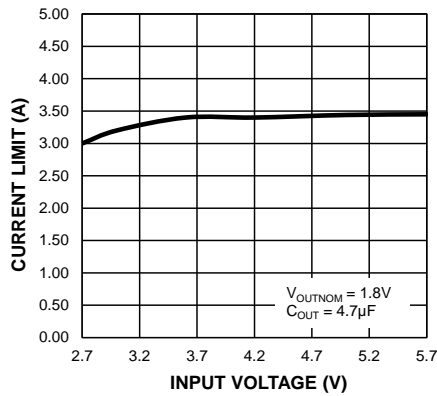
**Efficiency ( $V_{OUT} = 1.8V$ ) vs. Output Current**



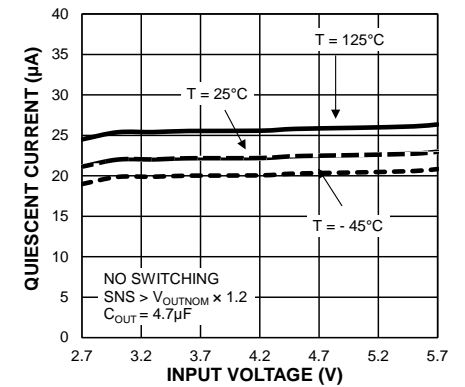
**$V_{OUT}$  Rise Time vs.  $C_{SS}$**



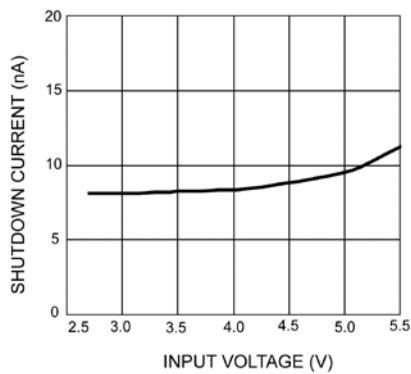
**Current Limit vs. Input Voltage**



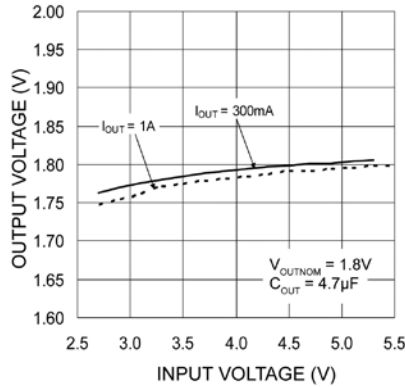
**Quiescent Current vs. Input Voltage**



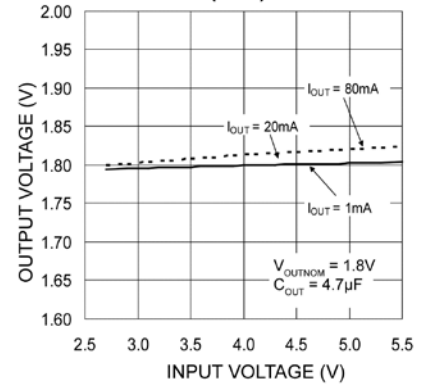
**Shutdown Current vs. Input Voltage**



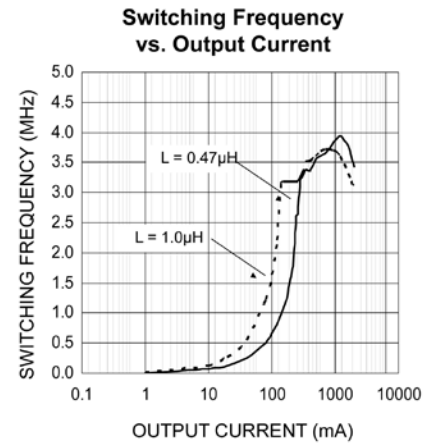
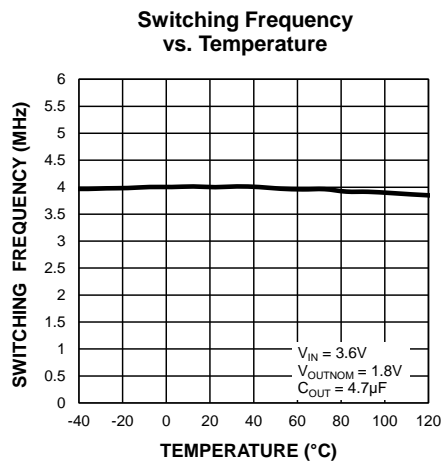
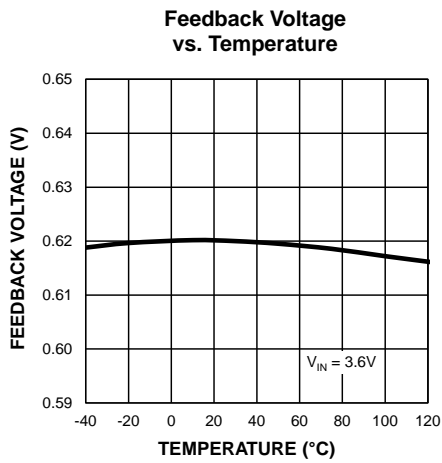
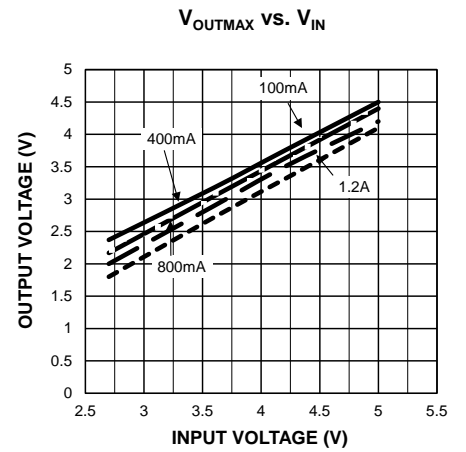
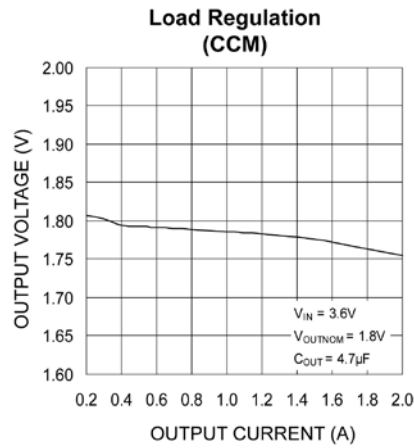
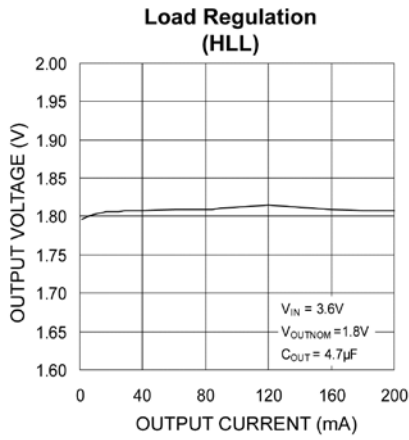
**Line Regulation (CCM)**



**Line Regulation (HLL)**

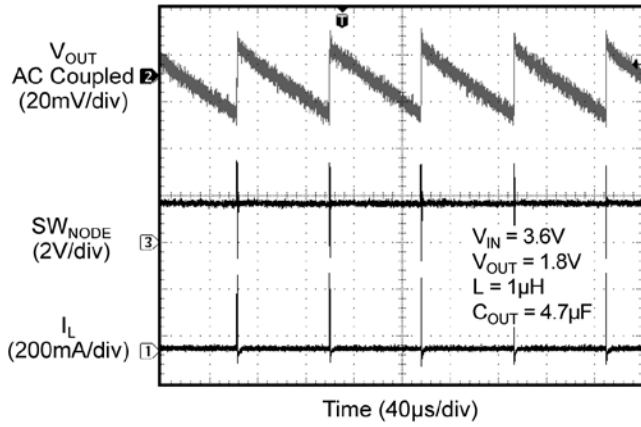


### Typical Characteristics (Continued)

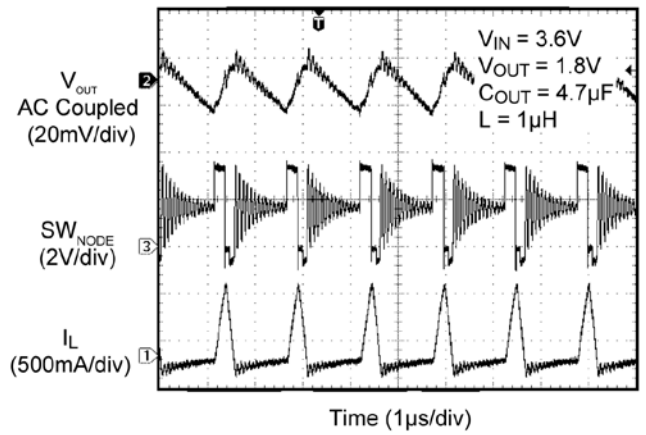


# Functional Characteristics

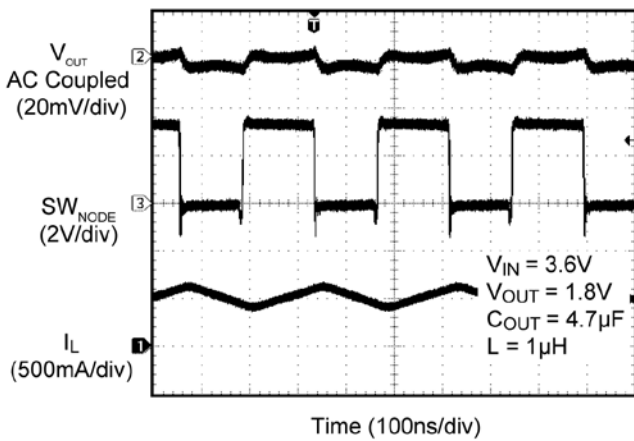
### Switching Waveform Discontinuous Mode (1mA)



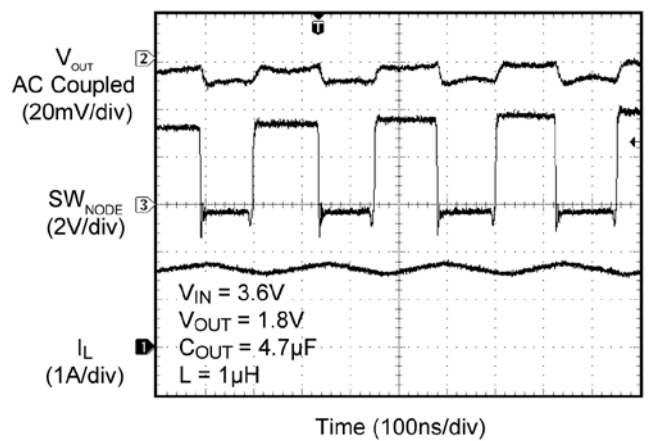
### Switching Waveform Discontinuous Mode (50mA)



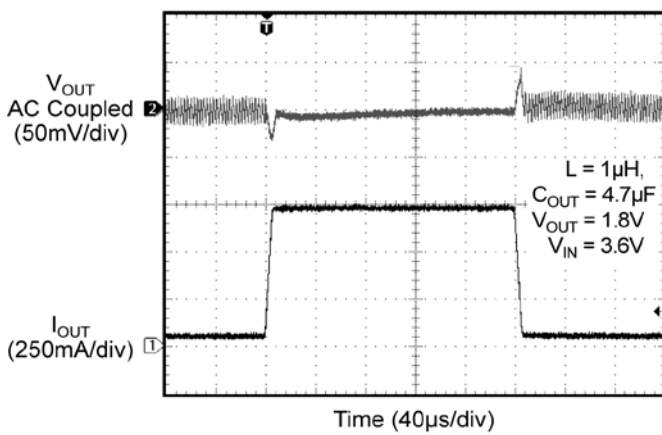
### Switching Waveform Continuous Mode (500mA)



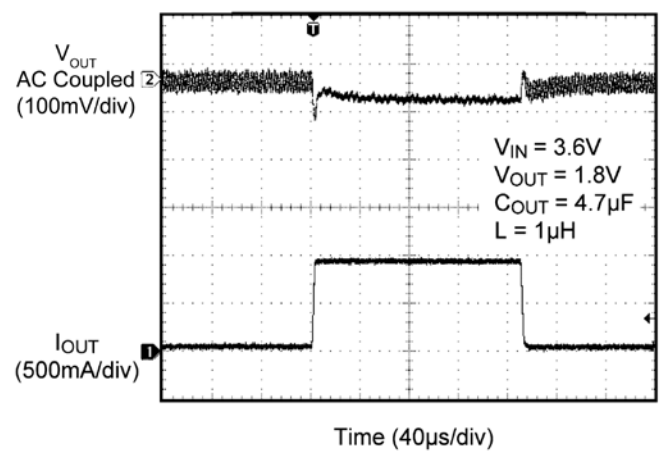
### Switching Waveform Continuous Mode (1.5A)



### Load Transient (50mA to 750mA)

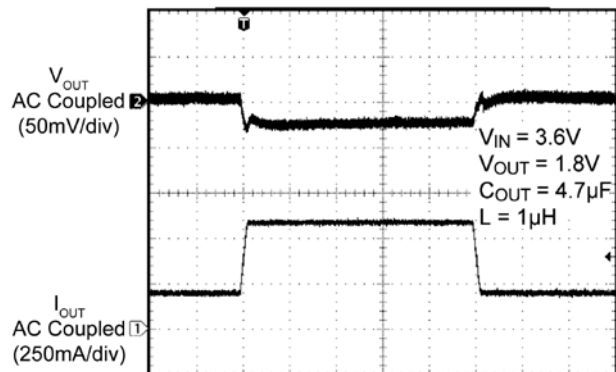


### Load Transient (50mA to 1A)



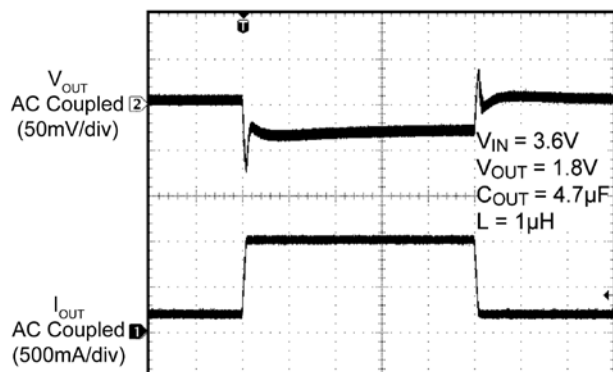
## Functional Characteristics (Continued)

Load Transient (200mA to 600mA)



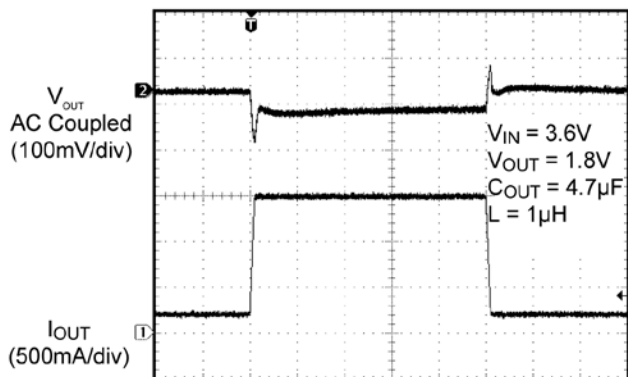
Time (40µs/div)

Load Transient (200mA to 1A)



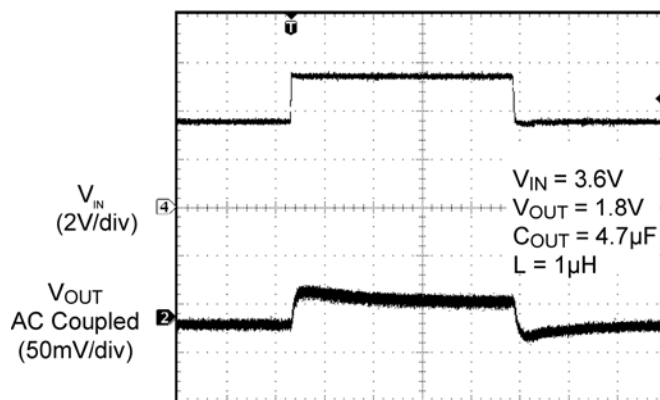
Time (40µs/div)

Load Transient (200mA to 1.5A)



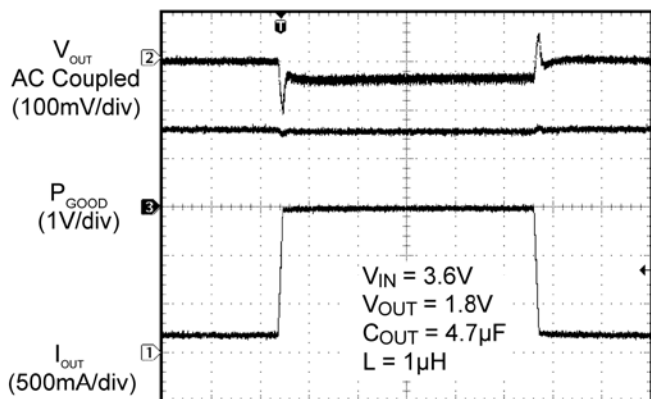
Time (40µs/div)

Line Transient (3.6V to 5.5V at 1.5A)



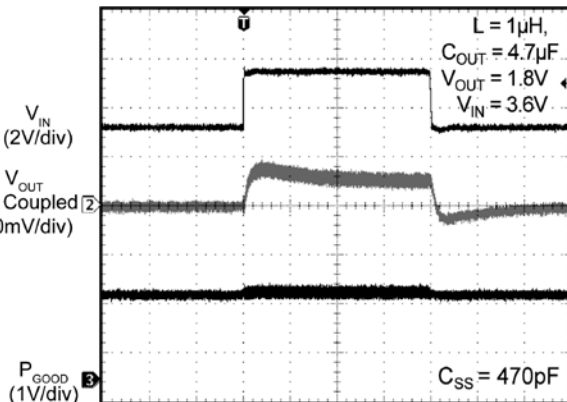
Time (100µs/div)

Power Good during Load Transient



Time (40µs/div)

Power Good during Line Transient

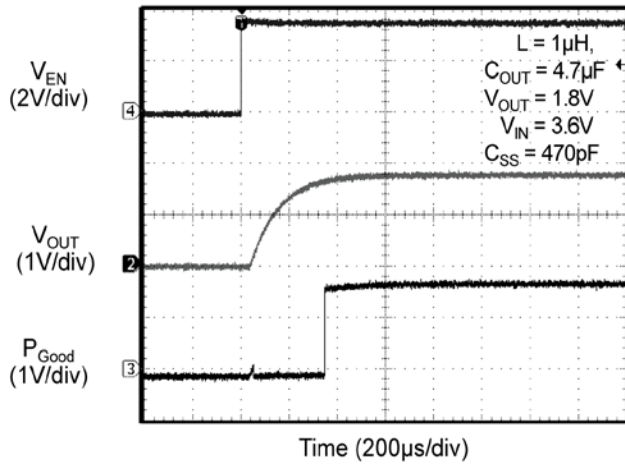


Time (100µs/div)

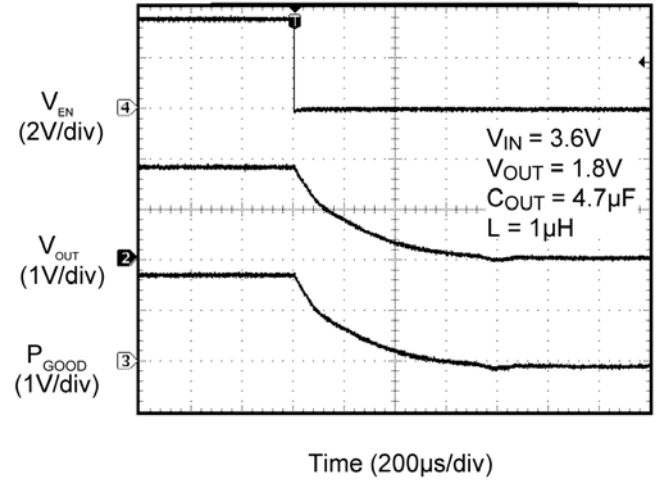


### Functional Characteristics (Continued)

Power Good during Start-up



Power Good during Shutdown



### Functional Diagram

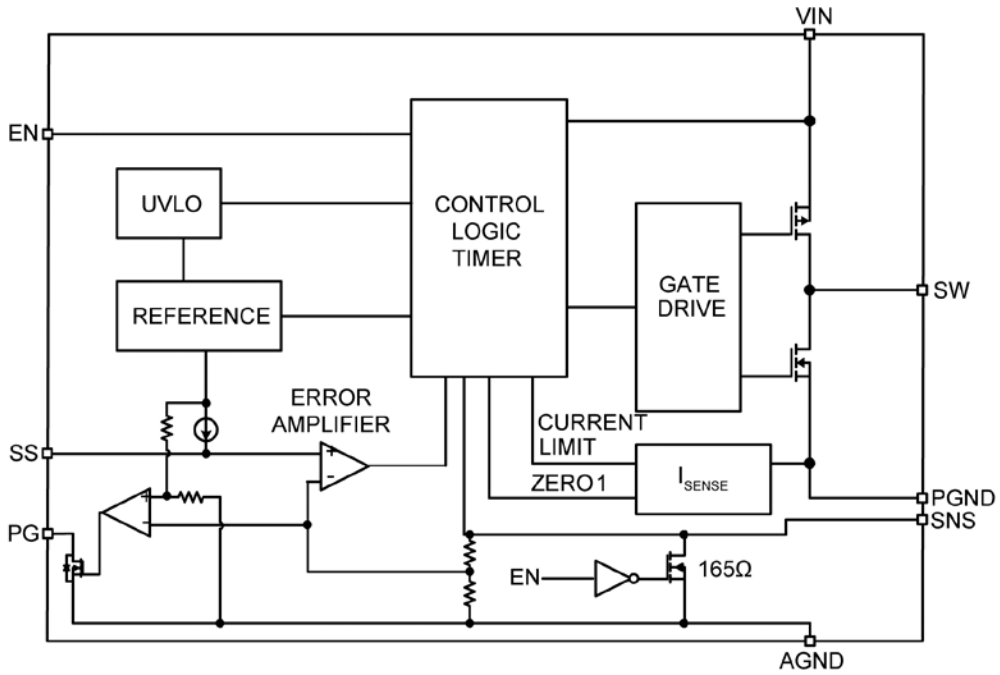


Figure 1. Simplified MIC23155 Functional Block Diagram – Fixed Output Voltage

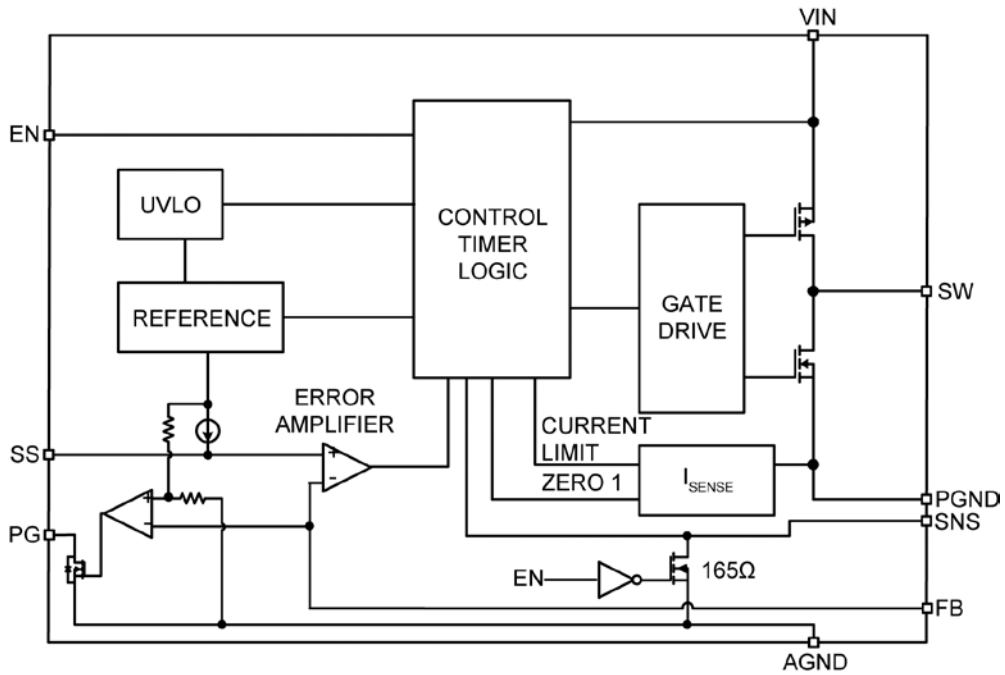


Figure 2. Simplified MIC23155 Functional Block Diagram – Adjustable Output Voltage

## Functional Description

### V<sub>IN</sub>

The input supply (V<sub>IN</sub>) provides power to the internal MOSFETs for the switch mode regulator along with the internal control circuitry. The V<sub>IN</sub> operating range is 2.7V to 5.5V. An input capacitor with a minimum voltage rating of 6.3V is recommended. Due to the high switching speed, a minimum 2.2μF bypass capacitor placed close to V<sub>IN</sub> and the power ground (PGND) pin is required. Refer to the *PCB Layout Recommendations* for details.

### EN

A logic high signal on the enable pin activates the output voltage of the device. A logic low signal on the enable pin deactivates the output and reduces supply current to 0.01μA. MIC23155 features external soft start circuitry via the SS pin that reduces inrush current and prevents the output voltage from overshooting at start up. Do not leave the EN pin floating.

### SW

The switch (SW) connects directly to one end of the inductor and provides the current path during switching cycles. The other end of the inductor is connected to the load, SNS pin, and output capacitor. Due to the high speed switching on this pin, the switch node should be routed away from sensitive nodes whenever possible.

### SNS

The sense (SNS) pin is connected to the output of the device to provide feedback to the control circuitry. The SNS connection should be placed close to the output capacitor. Refer to the layout recommendations for more details. The SNS pin also provides the output active discharge circuit path to pull down the output voltage when the device is disabled.

### AGND

The analog ground (AGND) is the ground path for the biasing and control circuitry. The current loop for the signal ground should be separate from the power ground (PGND) loop. Refer to the layout recommendations for more details.

### PGND

The power ground pin is the ground path for the high current in PWM mode. The current loop for the power ground should be as small as possible and separate from the analog ground (AGND) loop as applicable. Refer to the layout recommendations for more details.

### PG

The power good (PG) pin is an open drain output which indicates when the output voltage is within regulation. This is indicated by a logic high signal when the output voltage is above the PG threshold. Connect a pull up resistor greater than 5kΩ from PG to V<sub>OUT</sub>.

### SS

The SS pin is used to control the output voltage ramp up time. The approximate equation for the ramp time in milliseconds is  $270 \times 10^3 \times \ln(10) \times C_{SS}$ . For example, for a C<sub>SS</sub> = 470pF, T<sub>RISE</sub> ≈ 300μs. Refer to the “V<sub>OUT</sub> Rise Time vs. C<sub>SS</sub>” graph in the *Typical Characteristics* section. The minimum recommended value for C<sub>SS</sub> is 200pF.

### FB

The feedback (FB) pin is provided for the adjustable voltage option. This is the control input for setting the output voltage. A resistor divider network is connected to this pin from the output and is compared to the internal 0.62V reference within the regulation loop.

The output voltage can be calculated using Equation 1:

$$V_{OUT} = V_{REF} \cdot \left( 1 + \frac{R1}{R2} \right) \quad \text{Eq. 1}$$

Recommended feedback resistor values:

V <sub>OUT</sub>	R1	R2
1.2V	274k	294k
1.5V	316k	221k
1.8V	301k	158k
2.5V	324k	107k
3.3V	309k	71.5k

## Application Information

The MIC23155 is a high performance DC/DC step-down regulator offering a small solution size. Supporting an output current up to 2A in a tiny 2.5mm x 2.5mm Thin DFN package, the IC requires only four external components while meeting today's miniature portable electronic device needs. Using the HyperLight Load switching scheme, the MIC23155 is able to maintain high efficiency throughout the entire load range while providing ultra fast load transient response. The following sections provide additional device application information.

### Input Capacitor

A 2.2µF ceramic capacitor or greater should be placed close to the VIN pin and PGND pin for bypassing. A Murata GRM188R60J475ME84D, size 0603, 4.7µF ceramic capacitor is recommended based upon performance, size and cost. A X5R or X7R temperature rating is recommended for the input capacitor.

### Output Capacitor

The MIC23155 is designed for use with a 2.2µF or greater ceramic output capacitor. Increasing the output capacitance will lower output ripple and improve load transient response but could also increase solution size or cost. A low equivalent series resistance (ESR) ceramic output capacitor such as the Murata GRM188R60J475ME84D, size 0603, 4.7µF ceramic capacitor is recommended based upon performance, size and cost. Both the X7R or X5R temperature rating capacitors are recommended.

### Inductor Selection

When selecting an inductor, it is important to consider the following factors:

- Inductance
- Rated current value
- Size requirements
- DC resistance (DCR)

The MIC23155 is designed for use with a 0.47µH to 2.2µH inductor. For faster transient response, a 0.47µH inductor will yield the best result. For lower output ripple, a 2.2µH inductor is recommended.

Maximum current ratings of the inductor are generally given in two methods; permissible DC current, and saturation current. Permissible DC current can be rated either for a 40°C temperature rise or a 10% to 20% loss in inductance. Ensure the inductor selected can handle the maximum operating current. When saturation current is specified, make sure that there is enough margin so that the peak current does not cause the inductor to saturate.

Peak current can be calculated in Equation 2:

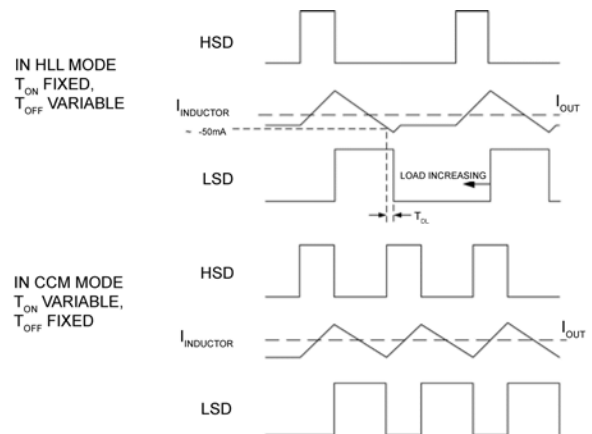
$$I_{\text{PEAK}} = \left[ I_{\text{OUT}} + V_{\text{OUT}} \left( \frac{1 - V_{\text{OUT}}/V_{\text{IN}}}{2 \times f \times L} \right) \right] \quad \text{Eq. 2}$$

As shown by the calculation above, the peak inductor current is inversely proportional to the switching frequency and the inductance. The lower the switching frequency or inductance, the higher the peak current. As input voltage increases, the peak current also increases.

The size of the inductor depends on the requirements of the application. Refer to the typical application circuit and *Bill of Materials* for details.

DC resistance (DCR) is also important. While DCR is inversely proportional to size, DCR can represent a significant efficiency loss. Refer to the "Efficiency Considerations" subsection.

The transition between continuous conduction mode (CCM) to HyperLight Load mode is determined by the inductor ripple current and the load current.



**Figure 3. Transition between CCM Mode to HLL Mode**

Figure 3 illustrates the signals for high-side switch drive (HSD) for  $T_{\text{ON}}$  control, the Inductor current, and the low-side switch drive (LSD) for  $T_{\text{OFF}}$  control.

In HLL mode, the inductor is charged with a fixed  $T_{\text{on}}$  pulse on the high side switch. After this, the low side switch is turned on and current falls at a rate  $V_{\text{OUT}}/L$ . The controller remains in HLL mode while the inductor falling current is detected to cross approximately -50mA. When the LSD (or  $T_{\text{OFF}}$ ) time reaches its minimum and the inductor falling current is no longer able to reach the threshold, the part is in CCM mode.

Once in CCM mode, the  $T_{OFF}$  time will not vary. Therefore, it is important to note that if L is large enough, the HLL transition level will not be triggered.

That inductor is illustrated in Figure 3:

$$L_{MAX} = \frac{V_{OUT} - 135ns}{2 - 50mA} \quad \text{Eq. 3}$$

**Duty Cycle**

The typical maximum duty cycle of the MIC23155 is 80%.

**Efficiency Considerations**

Efficiency is defined as the amount of useful output power, divided by the amount of power supplied (see Figure 4):

$$\text{Efficiency \%} = \left( \frac{V_{OUT} \times I_{OUT}}{V_{IN} \times I_{IN}} \right) \times 100 \quad \text{Eq. 4}$$

There are two types of losses in switching converters; DC losses and switching losses. DC losses are simply the power dissipation of  $I^2R$ . Power is dissipated in the high side switch during the on cycle. Power loss is equal to the high side MOSFET  $R_{DS(ON)}$  multiplied by the switch current squared. During the off cycle, the low side N-channel MOSFET conducts, also dissipating power. Device operating current also reduces efficiency. The product of the quiescent (operating) current and the supply voltage represents another DC loss. The current required driving the gates on and off at a constant 3MHz frequency and the switching transitions make up the switching losses.

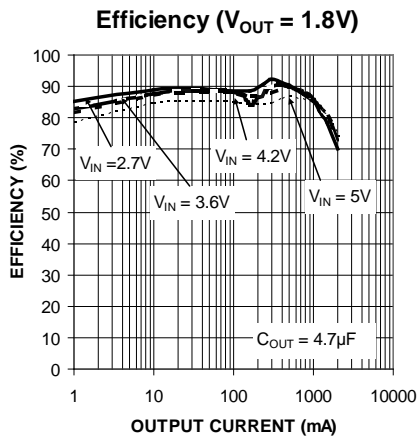


Figure 4. Efficiency under Load

Figure 4 illustrates an efficiency curve. From no load to 100mA, efficiency losses are dominated by quiescent current losses, gate drive and transition losses. By using the HyperLight Load mode, the MIC23155 is able to maintain high efficiency at low output currents.

Over 100mA, efficiency loss is dominated by MOSFET  $R_{DS(ON)}$  and inductor losses. Higher input supply voltages will increase the gate-to-source threshold on the internal MOSFETs, thereby reducing the internal  $R_{DS(ON)}$ . This improves efficiency by reducing DC losses in the device. All but the inductor losses are inherent to the device. In which case, inductor selection becomes increasingly critical in efficiency calculations. As the inductors are reduced in size, the DC resistance (DCR) can become quite significant. The DCR losses can be calculated as in :

$$P_{DCR} = I_{OUT}^2 \times DCR \quad \text{Eq. 5}$$

From that, the loss in efficiency due to inductor resistance can be calculated as in Equation 6:

$$\text{Efficiency Loss} = \left[ 1 - \left( \frac{V_{OUT} \times I_{OUT}}{V_{OUT} \times I_{OUT} + P_{DCR}} \right) \right] \times 100 \quad \text{Eq. 6}$$

Efficiency loss due to DCR is minimal at light loads and gains significance as the load is increased. Inductor selection becomes a trade off between efficiency and size in this case.

**HyperLight Load Mode**

The MIC23155 uses a minimum on and off time proprietary control loop (patented by Micrel). When the output voltage falls below the regulation threshold, the error comparator begins a switching cycle that turns the PMOS on and keeps it on for the duration of the minimum-on-time. This increases the output voltage. If the output voltage is over the regulation threshold, then the error comparator turns the PMOS off for a minimum-off-time until the output drops below the threshold. The NMOS acts as an ideal rectifier that conducts when the PMOS is off. Using a NMOS switch instead of a diode allows for lower voltage drop across the switching device when it is on. The asynchronous switching combination between the PMOS and the NMOS allows the control loop to work in discontinuous mode for light load operations. In discontinuous mode, the MIC23155 works in HyperLight Load to regulate the output. As the output current increases, the off time decreases, thus provides more energy to the output. This switching scheme improves the efficiency of MIC23155 during light load currents by only switching when it is needed.

As the load current increases, the MIC23155 goes into continuous conduction mode (CCM) and switches at a frequency centered at 3MHz. The equation to calculate the load when the MIC23155 goes into continuous conduction mode may be approximated as illustrated in Figure 7:

$$I_{LOAD} > \left( \frac{(V_{IN} - V_{OUT}) \times D}{2L \times f} \right) \quad \text{Eq. 7}$$

As shown in the previous equation, the load at which the MIC23155 transitions from HyperLight Load mode to PWM mode is a function of the input voltage ( $V_{IN}$ ), output voltage ( $V_{OUT}$ ), duty cycle ( $D$ ), inductance ( $L$ ) and frequency ( $f$ ). As shown in Figure 5, as the output current increases, the switching frequency also increases until the MIC23155 goes from HyperLight Load mode to PWM mode at approximately 180mA. The MIC23155 will switch at a relatively constant frequency around 3MHz once the output current is over 180mA.

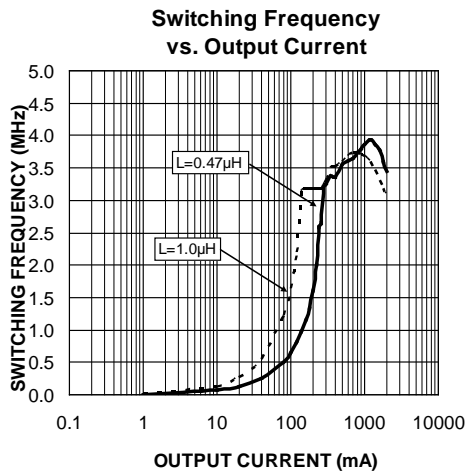
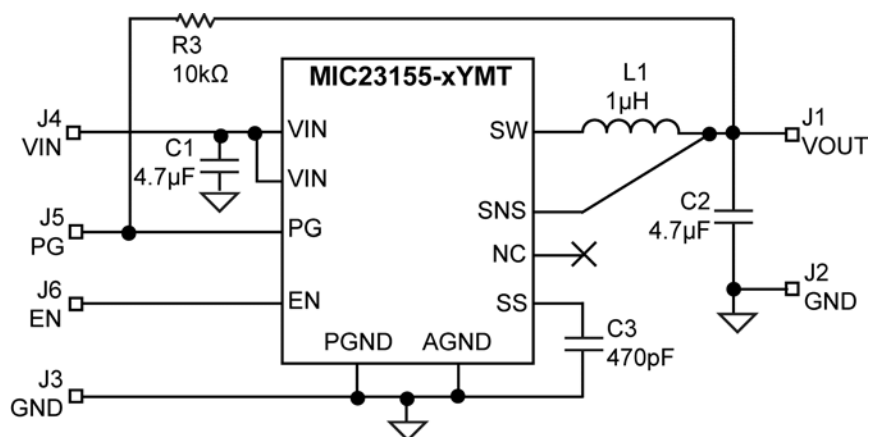


Figure 5. SW Frequency vs. Output Current

### Typical Application Circuit (Fixed Output)



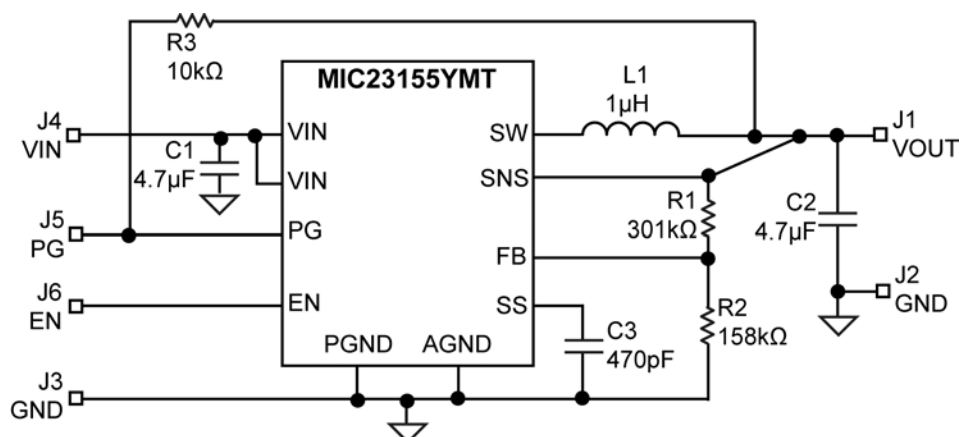
### Bill of Materials

Item	Part Number	Manufacturer	Description	Qty.
C1, C2	C1608X5R0J475K	TDK <sup>(1)</sup>	Ceramic Capacitor, 4.7μF, 6.3V, X5R, Size 0603	2
	GRM188R60J475KE19D	Murata <sup>(2)</sup>		
C3	C1608NPO0J471K	TDK	Ceramic Capacitor, 470pF, 6.3V, NPO, Size 0603	1
L1	VLS3012ST-1R0N1R9	TDK	1μH, 2A, 60mΩ, L3.0mm x W3.0mm x H1.0mm	1
	LQH44PN1R0NJ0	Murata	1μH, 2.8A, 50mΩ, L4.0mm x W4.0mm x H1.2mm	
R3	CRCW06031002FKEA	Vishay <sup>(3)</sup>	Resistor, 10k, Size 0603	1
U1	<b>MIC23155-xYMT</b>	<b>Micrel, Inc.<sup>(4)</sup></b>	<b>3MHz 2A Buck Regulator with HyperLight Load Mode</b>	<b>1</b>

**Notes:**

1. TDK: [www.tdk.com](http://www.tdk.com).
2. Murata: [www.murata.com](http://www.murata.com).
3. Vishay: [www.vishay.com](http://www.vishay.com).
4. Micrel, Inc.: [www.micrel.com](http://www.micrel.com).

## Typical Application Circuit (Adjustable Output)



## Bill of Materials

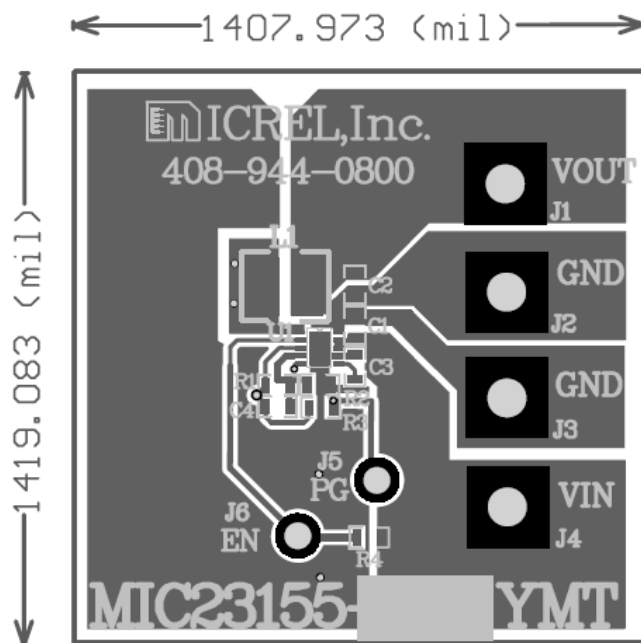
Item	Part Number	Manufacturer	Description	Qty.
C1, C2	C1608X5R0J475K	TDK <sup>(1)</sup>	Ceramic Capacitor, 4.7μF, 6.3V, X5R, Size 0603	2
	GRM188R60J475KE19D	Murata <sup>(2)</sup>		
C3	C1608NPO0J471K	TDK	Ceramic Capacitor, 470pF, 6.3V, NPO, Size 0603	1
L1	VLS3010ST-1R0N1R9	TDK	1μH, 2A, 60mΩ, L3.0mm x W3.0mm x H1.0mm	1
	LQH44PN1R0NJ0	Murata	1μH, 2.8A, 50mΩ, L4.0mm x W4.0mm x H1.2mm	
R1	CRCW06033013FKEA	Vishay <sup>(3)</sup>	Resistor, 301k, Size 0603	1
R2	CRCW06031583FKEA	Vishay	Resistor, 158k, Size 0603	1
R3	CRCW06031002FKEA	Vishay	Resistor, 10k, Size 0603	1
U1	<b>MIC23155YMT</b>	<b>Micrel, Inc.<sup>(4)</sup></b>	<b>3MHz 2A Buck Regulator with HyperLight Load Mode</b>	<b>1</b>

### Notes:

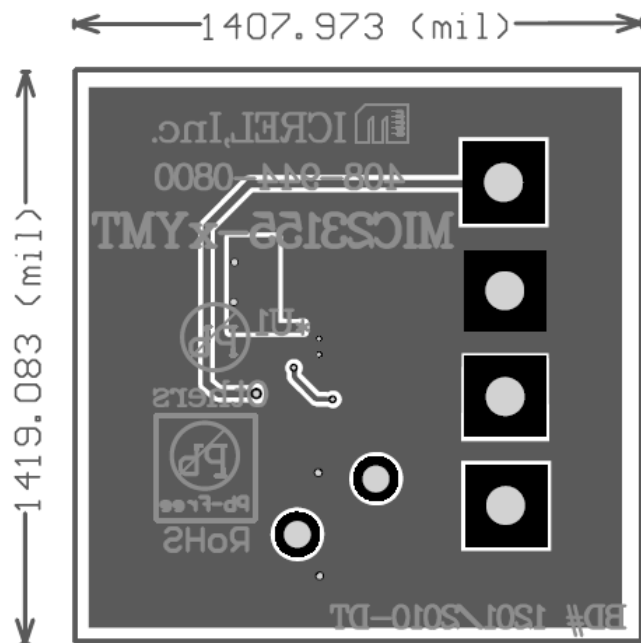
1. TDK: [www.tdk.com](http://www.tdk.com).
2. Murata: [www.murata.com](http://www.murata.com).
3. Vishay: [www.vishay.com](http://www.vishay.com).
4. Micrel, Inc.: [www.micrel.com](http://www.micrel.com).



### PCB Layout Recommendations

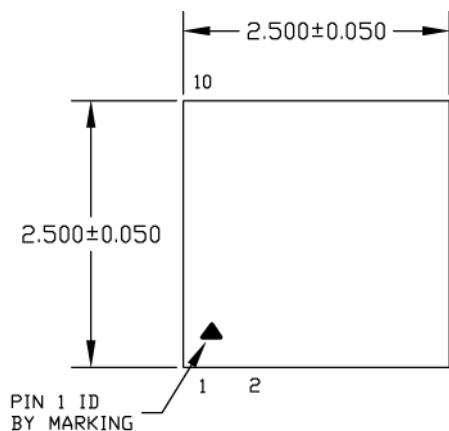


Top Layer

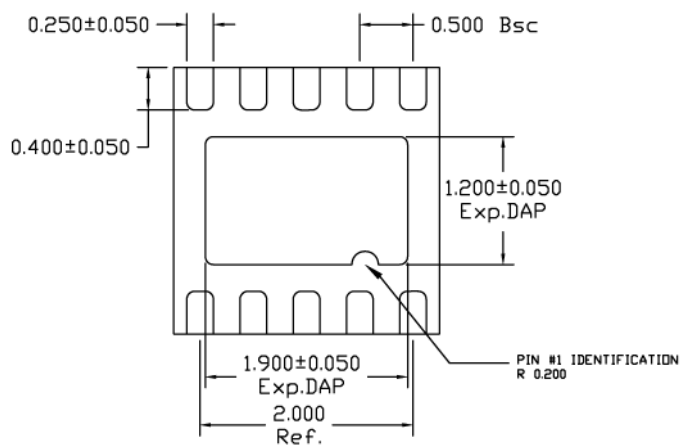


Bottom Layer

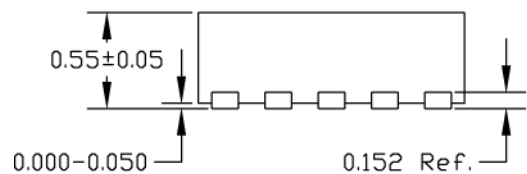
### Package Information<sup>(1)</sup>



TOP VIEW



BOTTOM VIEW



SIDE VIEW

**NOTE:**

1. ALL DIMENSIONS ARE IN MILLIMETERS.
2. MAX. PACKAGE WARPAGE IS 0.08 mm.
3. MAXIMUM ALLOWABLE BURRS IS 0.076 mm IN ALL DIRECTIONS.
4. PIN #1 ID WILL BE LASER MARKED.

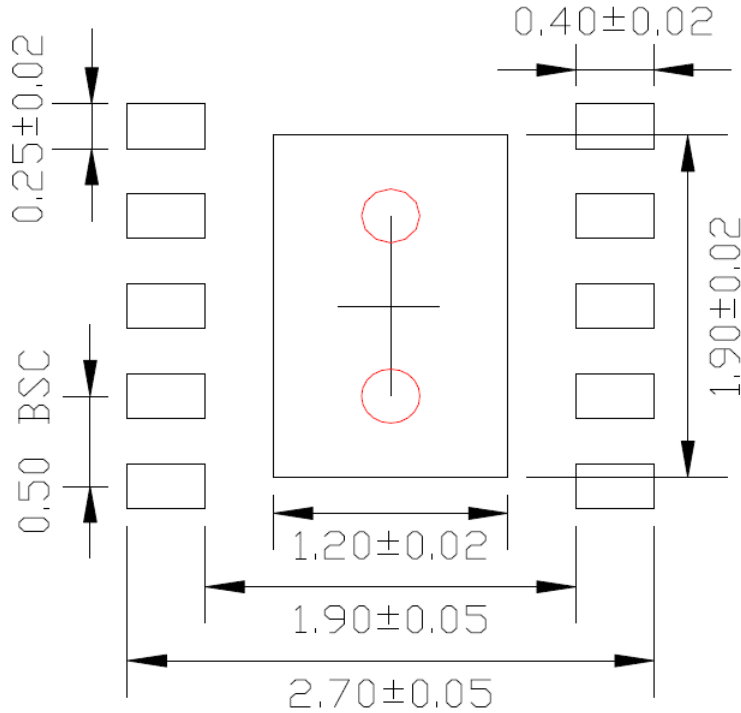
**10-Pin 2.5mm x 2.5mm Thin DFN**

**Note:**

1. Package information is correct as of the publication date. For updates and most current information, go to [www.micrel.com](http://www.micrel.com).

## Recommended Land Pattern

LP # TDFN2525-10LD-LP-1  
 All units are in mm  
 Tolerance  $\pm 0.05$  if not noted



Red circle indicates Thermal Via. Size should be .300-.350 mm in diameter, 1.00 mm pitch, and should be connected to GND plane for maximum thermal performance.

**MICREL, INC. 2180 FORTUNE DRIVE SAN JOSE, CA 95131 USA**  
 TEL +1 (408) 944-0800 FAX +1 (408) 474-1000 WEB <http://www.micrel.com>

Micrel makes no representations or warranties with respect to the accuracy or completeness of the information furnished in this data sheet. This information is not intended as a warranty and Micrel does not assume responsibility for its use. Micrel reserves the right to change circuitry, specifications and descriptions at any time without notice. No license, whether express, implied, arising by estoppel or otherwise, to any intellectual property rights is granted by this document. Except as provided in Micrel's terms and conditions of sale for such products, Micrel assumes no liability whatsoever, and Micrel disclaims any express or implied warranty relating to the sale and/or use of Micrel products including liability or warranties relating to fitness for a particular purpose, merchantability, or infringement of any patent, copyright or other intellectual property right.

Micrel Products are not designed or authorized for use as components in life support appliances, devices or systems where malfunction of a product can reasonably be expected to result in personal injury. Life support devices or systems are devices or systems that (a) are intended for surgical implant into the body or (b) support or sustain life, and whose failure to perform can be reasonably expected to result in a significant injury to the user. A Purchaser's use or sale of Micrel Products for use in life support appliances, devices or systems is a Purchaser's own risk and Purchaser agrees to fully indemnify Micrel for any damages resulting from such use or sale.

© 2011 Micrel, Incorporated.

## X-ON Electronics

Largest Supplier of Electrical and Electronic Components

*Click to view similar products for [Switching Voltage Regulators](#) category:*

*Click to view products by [Microchip](#) manufacturer:*

Other Similar products are found below :

[FAN53610AUC33X](#) [FAN53611AUC123X](#) [FAN48610BUC33X](#) [FAN48610BUC45X](#) [FAN48617UC50X](#) [R3](#) [430464BB](#) [MIC45116-1YMP-T1](#) [KE177614](#) [MAX809TTR](#) [NCV891234MW50R2G](#) [NCP81103MNTXG](#) [NCP81203PMNTXG](#) [NCP81208MNTXG](#) [NCP81109GMNTXG](#) [SCY1751FCCT1G](#) [NCP81109JMNTXG](#) [AP3409ADNTR-G1](#) [LTM8064IY](#) [LT8315EFE#TRPBF](#) [NCV1077CSTBT3G](#) [XCL207A123CR-G](#) [MPM54304GMN-0002](#) [MPM54304GMN-0003](#) [XDPE132G5CG000XUMA1](#) [DA9121-B0V76](#) [LTC3644IY#PBF](#) [MP8757GL-P](#) [MIC23356YFT-TR](#) [LD8116CGL](#) [HG2269M/TR](#) [OB2269](#) [XD3526](#) [U6215A](#) [U6215B](#) [U6620S](#) [LTC3803ES6#TR](#) [LTC3803ES6#TRM](#) [LTC3412IFE](#) [LT1425IS](#) [MAX25203BATJA/VY+](#) [MAX77874CEWM+](#) [XC9236D08CER-G](#) [ISL95338IRTZ](#) [MP3416GJ-P](#) [BD9S201NUX-CE2](#) [MP5461GC-Z](#) [MPQ4415AGQB-Z](#) [MPQ4590GS-Z](#) [MCP1603-330IMC](#)