

## 85V Full-Bridge MOSFET Drivers with Adaptive Dead Time and Shoot-Through Protection

### Features

- 5.5V to 16V Gate Drive Supply Voltage Range
- Advanced Adaptive Dead Time
- Intelligent Shoot-Through Protection
- MIC4606-1: 4 Independent TTL Inputs
- MIC4606-2: 2 PWM Inputs
- Enable Input for On/Off Control
- On-Chip Bootstrap Diodes
- Fast 35 ns Propagation Times
- Drives 1000 pF Load with 20 ns Rise and Fall Times
- Low Power Consumption: 235  $\mu$ A Total Quiescent Current
- Separate High- and Low-Side Undervoltage Protection
- $-40^{\circ}\text{C}$  to  $+125^{\circ}\text{C}$  Junction Temperature Range

### Applications

- Full-Bridge Motor Drives
- Power Inverters
- High Voltage Step-Down Regulators
- Distributed Power Systems
- Stepper Motors

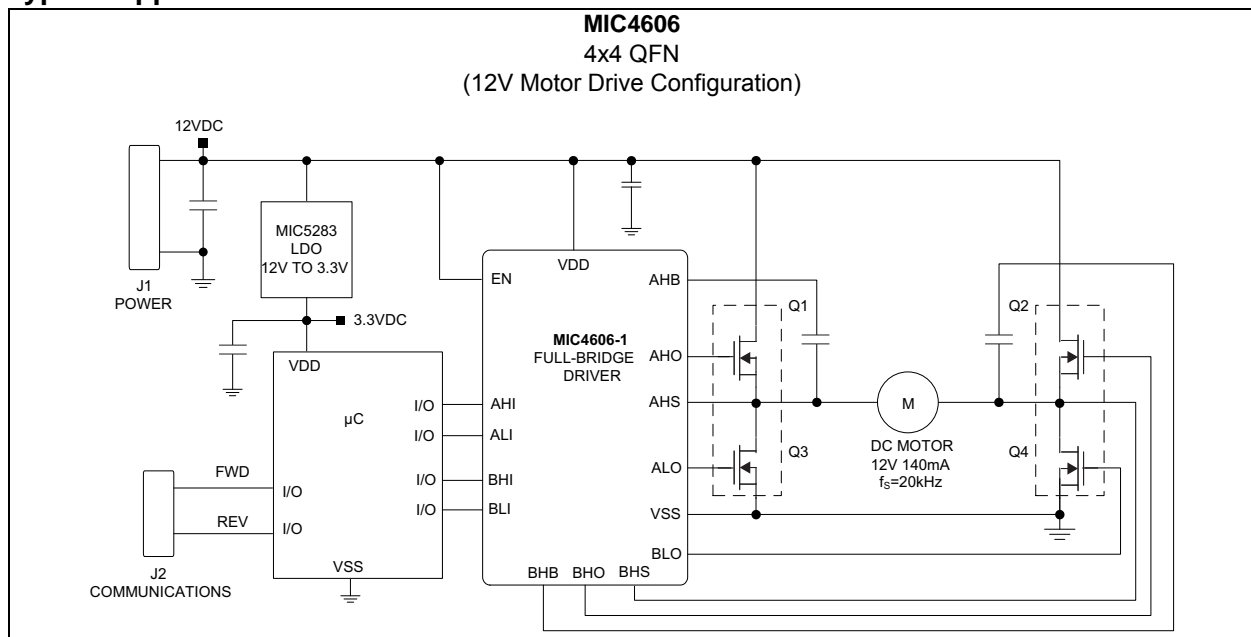
### General Description

The MIC4606 is an 85V full-bridge MOSFET driver that features adaptive dead time and shoot-through protection. The adaptive dead time circuitry actively monitors both sides of the full-bridge to minimize the time between high-side and low-side MOSFET transitions, thus maximizing power efficiency. Anti shoot-through circuitry prevents erroneous inputs and noise from turning both MOSFETs of each side of the bridge on at the same time.

The MIC4606 also offers a wide 5.5V to 16V operating supply range to maximize system efficiency. The low 5.5V operating voltage allows longer run times in battery-powered applications. Additionally, the MIC4606's adjustable gate drive sets the gate drive voltage to  $V_{DD}$  for optimal MOSFET  $R_{DS(ON)}$ , which minimizes power loss due to the MOSFET's  $R_{DS(ON)}$ .

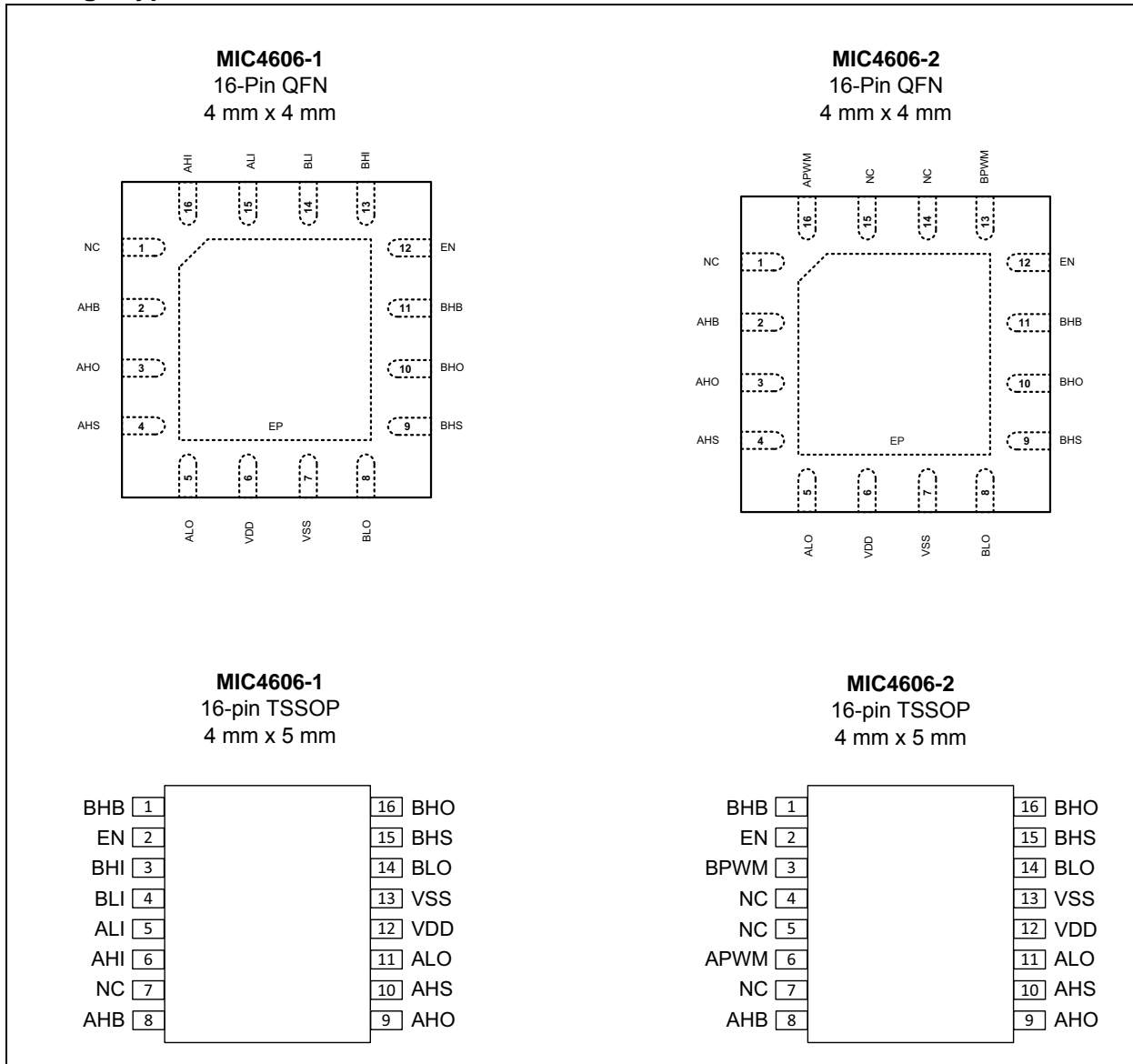
The MIC4606-1 features four independent inputs while the MIC4606-2 utilizes two PWM inputs, one for each side of the H-bridge. The MIC4606-1 and MIC4606-2 are available in a 16-pin 4 mm x 4 mm QFN and a 16-pin 4 mm x 5 mm TSSOP package with an operating temperature range of  $-40^{\circ}\text{C}$  to  $+125^{\circ}\text{C}$ .

### Typical Application Circuit



# MIC4606

## Package Types



**Note:** See [Table 4-1](#) through [Table 4-4](#) for pin descriptions.

## 1.0 ELECTRICAL CHARACTERISTICS

### Absolute Maximum Ratings † (Note 1)

Supply Voltage ( $V_{DD}$ , $V_{xHB} - V_{xHS}$ )	-0.3V to +18V
Input Voltage ( $V_{xLI}$ , $V_{xHI}$ , $V_{EN}$ )	-0.3V to $V_{DD} + 0.3V$
Voltage on xLO ( $V_{xLO}$ )	-0.3V to $V_{DD} + 0.3V$
Voltage on xHO ( $V_{xHO}$ )	$V_{HS} - 0.3V$ to $V_{HB} + 0.3V$
Voltage on xHS (Continuous)	-0.3V to 90V
Voltage on xHB	108V
Average Current in $V_{DD}$ to HB Diode	100 mA
ESD Protection On All Pins (Note 2)	±1 kV HBM, ±200V MM

### Operating Ratings ††

Supply Voltage ( $V_{DD}$ ) [decreasing $V_{DD}$ ]	+5.25V to +16V
Supply Voltage ( $V_{DD}$ ) [increasing $V_{DD}$ ]	+5.5V to +16V
Enable Voltage ( $V_{EN}$ )	0V to $V_{DD}$
Voltage on xHS	-0.3V to +85V
Voltage on xHS (100 ns repetitive transient)	-0.7V to +90V
HS Slew Rate	50 V/ns
Voltage on xHB	$V_{HS}$ to $V_{DD}$
and/or	$V_{DD} - 1V$ to $V_{DD} + 85V$

† **Notice:** Exceeding the absolute maximum ratings may damage the device.

†† **Notice:** The device is not guaranteed to function outside its operating ratings.

**Note 1:** “x” in front of a pin name refers to either A or B. (e.g. xHI can be either AHI or BHI).

**2:** Devices are ESD sensitive. Handling precautions are recommended. Human body model, 1.5 kΩ in series with 100 pF.

## ELECTRICAL CHARACTERISTICS

**Electrical Characteristics:** Unless otherwise indicated,  $V_{DD} = V_{xHB} = 12V$ ;  $V_{EN} = 5V$ ;  $V_{SS} = V_{xHS} = 0V$ ; No load on xLO or xHO;  $T_A = +25^\circ C$ . **Bold** values indicate  $-40^\circ C \leq T_J \leq +125^\circ C$ . [Note 1](#), [Note 2](#).

Parameters	Symbol	Min.	Typ.	Max.	Units	Conditions
<b>Supply Current</b>						
$V_{DD}$ Quiescent Current	$I_{DD}$	—	200	<b>350</b>	μA	$xLI = xHI = 0V$
$V_{DD}$ Shutdown Current	$I_{DDSH}$	—	2.5	<b>5</b>	μA	EN = 0V with xHS = floating;
		—	40	<b>100</b>		EN = 0V, xLI, xHI = 12V or 0V
$V_{DD}$ Operating Current	$I_{DDO}$	—	0.35	<b>0.5</b>	mA	$f_S = 20$ kHz
Total xHB Quiescent Current	$I_{HB}$	—	35	<b>75</b>	μA	$xLI = xHI = 0V$ or $xLI = 0V$ and $xHI = 5V$

**Note 1:** Specification for packaged product only.

**2:** x in front of a pin name refers to either A or B. (e.g. xHI can be either AHI or BHI).

**3:**  $V_{IL(MAX)}$  = maximum positive voltage applied to the input which will be accepted by the device as a logic low.

$V_{IH(MIN)}$  = minimum positive voltage applied to the input which will be accepted by the device as a logic high.

**4:** xLI/xHI mode with inputs non-overlapping, assumes xHS low before xLI goes high and xLO low before xHI goes high).

**5:** PWM mode (MIC4606-2) or LI/HI mode (MIC4606-1) with overlapping xLI/xHI inputs.

# MIC4606

## ELECTRICAL CHARACTERISTICS (CONTINUED)

**Electrical Characteristics:** Unless otherwise indicated,  $V_{DD} = V_{xHB} = 12V$ ;  $V_{EN} = 5V$ ;  $V_{SS} = V_{xHS} = 0V$ ; No load on xLO or xHO;  $T_A = +25^\circ C$ . **Bold** values indicate  $-40^\circ C \leq T_J \leq +125^\circ C$ . [Note 1](#), [Note 2](#).

Parameters	Symbol	Min.	Typ.	Max.	Units	Conditions
Total xHB Operating Current	$I_{HBO}$	—	30	<b>400</b>	$\mu A$	$f_S = 20 \text{ kHz}$
xHB to $V_{SS}$ Quiescent Current	$I_{HBS}$	—	0.5	5	$\mu A$	$V_{xHS} = V_{xHB} = 90V$
xHB to $V_{SS}$ Operating Current	$I_{HBSO}$	—	3	<b>10</b>	$\mu A$	$f_S = 20 \text{ kHz}$
<b>Input (TTL: xLI, xHI, EN) (Note 2, Note 3)</b>						
Low-Level Input Voltage	$V_{IL}$	—	—	<b>0.8</b>	V	—
High-Level Input Voltage	$V_{IH}$	<b>2.2</b>	—	—	V	—
Input Voltage Hysteresis	$V_{HYS}$	—	0.1	—	V	—
Input Pull-Down Resistance	$R_I$	<b>100</b>	300	<b>500</b>	k $\Omega$	xHI/xLI inputs
		<b>50</b>	150	<b>250</b>	k $\Omega$	xPWM inputs
<b>Undervoltage Protection</b>						
$V_{DD}$ Falling Threshold	$V_{DDR}$	<b>4.0</b>	4.4	<b>4.9</b>	V	—
$V_{DD}$ Threshold Hysteresis	$V_{DDH}$	—	0.25	—	V	—
xHB Falling Threshold	$V_{HBR}$	<b>4.0</b>	4.4	<b>4.9</b>	V	—
xHB Threshold Hysteresis	$V_{HBH}$	—	0.25	—	V	—
<b>Bootstrap Diode</b>						
Low-Current Forward Voltage	$V_{DL}$	—	0.4	<b>0.70</b>	V	$I_{VDD-xHB} = 100 \mu A$
High-Current Forward Voltage	$V_{DH}$	—	0.7	<b>1.0</b>	V	$I_{VDD-xHB} = 50 \text{ mA}$
Dynamic Resistance	$R_D$	—	3	<b>5.0</b>	$\Omega$	$I_{VDD-xHB} = 50 \text{ mA}$
<b>LO Gate Driver</b>						
Low-Level Output Voltage	$V_{OLL}$	—	0.3	<b>0.6</b>	V	$I_{xLO} = 50 \text{ mA}$
High-Level Output Voltage	$V_{OHL}$	—	0.5	<b>1.0</b>	V	$I_{xLO} = -50 \text{ mA}$ , $V_{OHL} = V_{DD} - V_{xLO}$
Peak Sink Current	$I_{OHL}$	—	1	—	A	$V_{xLO} = 0V$
Peak Source Current	$I_{OLL}$	—	1	—	A	$V_{xLO} = 12V$
<b>HO Gate Driver</b>						
Low-Level Output Voltage	$V_{OLH}$	—	0.3	<b>0.6</b>	V	$I_{xHO} = 50 \text{ mA}$

**Note 1:** Specification for packaged product only.

**2:** x in front of a pin name refers to either A or B. (e.g. xHI can be either AHI or BHI).

**3:**  $V_{IL(MAX)}$  = maximum positive voltage applied to the input which will be accepted by the device as a logic low.

$V_{IH(MIN)}$  = minimum positive voltage applied to the input which will be accepted by the device as a logic high.

**4:** xLI/xHI mode with inputs non-overlapping, assumes xHS low before xLI goes high and xLO low before xHI goes high).

**5:** PWM mode (MIC4606-2) or LI/HI mode (MIC4606-1) with overlapping xLI/xHI inputs.

## ELECTRICAL CHARACTERISTICS (CONTINUED)

**Electrical Characteristics:** Unless otherwise indicated,  $V_{DD} = V_{xHB} = 12V$ ;  $V_{EN} = 5V$ ;  $V_{SS} = V_{xHS} = 0V$ ; No load on xLO or xHO;  $T_A = +25^\circ C$ . **Bold** values indicate  $-40^\circ C \leq T_J \leq +125^\circ C$ . [Note 1](#), [Note 2](#).

Parameters	Symbol	Min.	Typ.	Max.	Units	Conditions
High-Level Output Voltage	$V_{OHH}$	—	0.5	<b>1.0</b>	V	$I_{xHO} = -50 \text{ mA}$ , $V_{OHH} = V_{xHB} - V_{xHO}$
Peak Sink Current	$I_{OHH}$	—	1	—	A	$V_{xHO} = 0V$
Peak Source Current	$I_{OLH}$	—	1	—	A	$V_{xLO} = 12V$
<b>Switching Specifications (Note 4)</b>						
Lower Turn-Off Propagation Delay (xLI Falling to xLO Falling)	$t_{LPHL}$	—	35	<b>75</b>	ns	—
Upper Turn-Off Propagation Delay (xHI Falling to xHO Falling)	$t_{HPHL}$	—	35	<b>75</b>	ns	—
Lower Turn-On Propagation Delay (xLI Rising to xLO Rising)	$t_{LPLH}$	—	35	<b>75</b>	ns	—
Upper Turn-On Propagation Delay (xHI Rising to xHO Rising)	$t_{HPLH}$	—	35	<b>75</b>	ns	—
Output Rise/Fall Time	$t_R/t_F$	—	20	—	ns	$C_L = 1000 \text{ pF}$
Output Rise/Fall Time (3V to 9V)	$t_R/t_F$	—	0.8	—	$\mu s$	$C_L = 0.1 \text{ }\mu F$
Minimum Input Pulse Width that Changes the Output	$t_{PW}$	—	50	—	ns	—
<b>Switching Specifications (Note 5)</b>						
Delay from xPWM High (or xLI Low) to xLO Low	$t_{LOOFF}$	—	35	75	ns	—
xLO Output Voltage Threshold for Low-Side FET to be Considered Off	$V_{LOOFF}$	—	1.9	—	V	—
Delay from xLO off to xHO High	$t_{HOON}$	—	35	75	ns	—
Delay from xPWM Low (or xHI Low) to xHO Low	$t_{HOOFF}$	—	35	75	ns	—

**Note 1:** Specification for packaged product only.

**2:** x in front of a pin name refers to either A or B. (e.g. xHI can be either AHI or BHI).

**3:**  $V_{IL(MAX)}$  = maximum positive voltage applied to the input which will be accepted by the device as a logic low.

$V_{IH(MIN)}$  = minimum positive voltage applied to the input which will be accepted by the device as a logic high.

**4:** xLI/xHI mode with inputs non-overlapping, assumes xHS low before xLI goes high and xLO low before xHI goes high).

**5:** PWM mode (MIC4606-2) or LI/HI mode (MIC4606-1) with overlapping xLI/xHI inputs.

# MIC4606

## ELECTRICAL CHARACTERISTICS (CONTINUED)

**Electrical Characteristics:** Unless otherwise indicated,  $V_{DD} = V_{xHB} = 12V$ ;  $V_{EN} = 5V$ ;  $V_{SS} = V_{xHS} = 0V$ ; No load on xLO or xHO;  $T_A = +25^\circ C$ . **Bold** values indicate  $-40^\circ C \leq T_J \leq +125^\circ C$ . [Note 1](#), [Note 2](#).

Parameters	Symbol	Min.	Typ.	Max.	Units	Conditions
Switch Node Voltage Threshold Signaling xHO is Off	$V_{SWTH}$	1	2.2	4	V	—
Delay Between xHO FET being considered Off to xLO Turning On	$t_{LOON}$	—	35	75	ns	—
For xHS Low/xLI High, Delay from xPWM/xHI Low to xLO High	$t_{LOONHI}$	—	80	<b>150</b>	ns	—
Force xLO On if $V_{SWTH}$ is Not Detected	$t_{SWTO}$	<b>100</b>	250	<b>500</b>	ns	—

**Note 1:** Specification for packaged product only.

**2:** x in front of a pin name refers to either A or B. (e.g. xHI can be either AHI or BHI).

**3:**  $V_{IL(MAX)}$  = maximum positive voltage applied to the input which will be accepted by the device as a logic low.

$V_{IH(MIN)}$  = minimum positive voltage applied to the input which will be accepted by the device as a logic high.

**4:** xLI/xHI mode with inputs non-overlapping, assumes xHS low before xLI goes high and xLO low before xHI goes high).

**5:** PWM mode (MIC4606-2) or LI/HI mode (MIC4606-1) with overlapping xLI/xHI inputs.

## TEMPERATURE SPECIFICATIONS (Note 1)

Parameters	Sym.	Min.	Typ.	Max.	Units	Conditions
<b>Temperature Ranges</b>						
Storage Temperature Range	$T_S$	-60	—	+150	°C	—
Junction Operating Temperature	$T_J$	-40	—	+125	°C	—
<b>Package Thermal Resistances</b>						
Thermal Resistance, QFN-16Ld	$\theta_{JA}$	—	51	—	°C/W	—
Thermal Resistance, TSSOP-16Ld	$\theta_{JA}$	—	97.5	—	°C/W	—

**Note 1:** The maximum allowable power dissipation is a function of ambient temperature, the maximum allowable junction temperature and the thermal resistance from junction to air (i.e.,  $T_A$ ,  $T_J$ ,  $\theta_{JA}$ ). Exceeding the maximum allowable power dissipation will cause the device operating junction temperature to exceed the maximum +125°C rating. Sustained junction temperatures above +125°C can impact the device reliability.

# MIC4606

## 2.0 TIMING DIAGRAMS

### 2.1 Non-Overlapping LI/HI Input Mode (MIC4606-1)

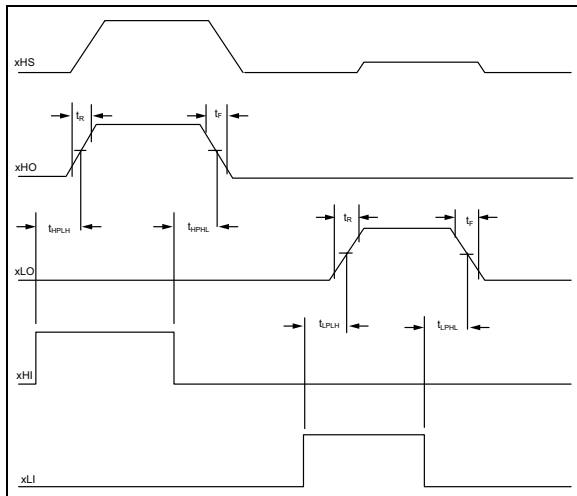
In LI/HI input mode, external xLI/xHI inputs are delayed to the point that xHS is low before xLI is pulled high and similarly xLO is low before xHI goes high

xHO goes high with a high signal on xHI after a typical delay of 35 ns ( $t_{HPLH}$ ). xHI going low drives xHO low also with typical delay of 35 ns ( $t_{HPLH}$ ).

Likewise, xLI going high forces xLO high after typical delay of 35 ns ( $t_{LPLH}$ ) and xLO follows low transition of xLI after typical delay of 35 ns ( $t_{LPHL}$ ).

xHO and xLO output rise and fall times ( $t_R/t_F$ ) are typically 20 ns driving 1000 pF capacitive loads.

All propagation delays are measured from the 50% voltage level and rise/fall times are measured 10% to 90%.



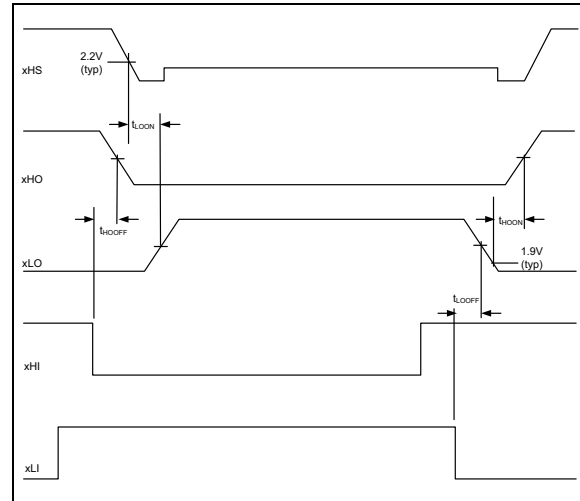
**FIGURE 2-1:** Separate Non-Overlapping LI/HI Input Mode (MIC4606-1)

### 2.2 Overlapping LI/HI Input Mode (MIC4606-1)

When xLI/xHI input high conditions overlap, xLO/xHO output states are dominated by the first output to be turned on. If xLI goes high (on) while xHO is high, xHO stays high until xHI goes low. After a delay of  $t_{HOFF}$  and when  $xHS < 2.2V$ , xLO goes high with a delay of  $t_{LOON}$ . If xHS never trip the aforementioned internal comparator reference (2.2V), a falling xHI edge delayed by a typical 250 ns will set "HS latch" allowing xLO to go high.

If xHS falls very fast, xLO will be held low by a 35 ns delay gated by HI going low. Conversely, xHI going high (on) when xLO is high has no effect on outputs

until xLI is pulled low (off) and xLO falls to  $< 1.9V$ . Delay from xLI going low to xLO falling is  $t_{LOFF}$  and delay from  $xLO < 1.9V$  to xHO being on is  $t_{HOON}$ .



**FIGURE 2-2:** Separate Overlapping LI/HI Input Mode (MIC4606-1).

### 2.3 PWM Input Mode (MIC4606-2)

A low xPWM signal applied to the MIC4606-2 causes the xHO to go low, typically to 35 ns ( $t_{HOFF}$ ) after the xPWM input goes low. At this point, the switch node xHS, falls (1-2).

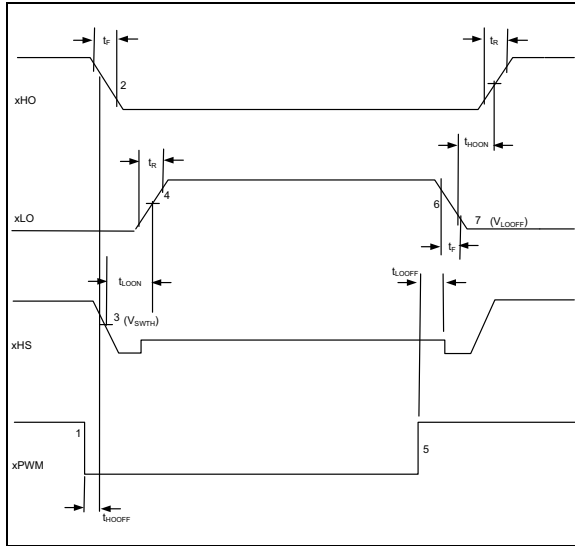
When the xHS reaches 2.2V ( $V_{SWTH}$ ), the external high-side MOSFET is deemed off and the xLO goes high, typically within 35 ns ( $t_{LOON}$ ) (3-4). The xHS falling below 2.2V sets a latch that can only be reset by the xPWM going high. This design prevents ringing on xHS from causing an indeterminate xLO state. Should xHS never trip the aforementioned internal comparator reference (2.2V), a falling xPWM edge delayed by 250 ns will set "HS latch" allowing xLO to go high. An 80 ns delay gated by xPWM going low may determine the time to xLO going high for fast falling HS designs. xPWM going high forces xLO low in typically 35 ns ( $t_{LOFF}$ ) (5-6).

When xLO reaches 1.9V ( $V_{LOFF}$ ), the low-side MOSFET is deemed off and xHO is allowed to go high. The delay between these two points is typically 35 ns ( $t_{HOON}$ ) (7-8).

xHO and xLO output rise and fall times ( $t_R/t_F$ ) are typically 20 ns driving 1000 pF capacitive loads.

Note: All propagation delays are measured from the 50% voltage level and rise/fall times are measured 10% to 90%.



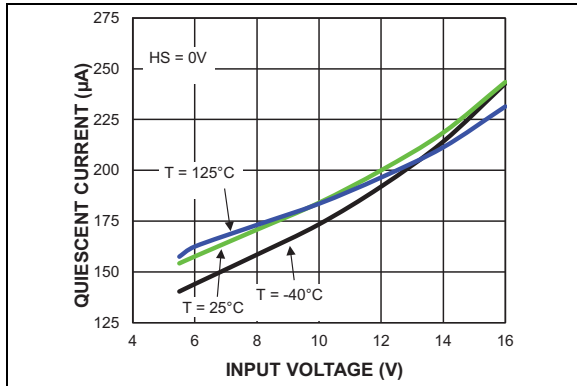


**FIGURE 2-3:** PWM Mode (MIC4606-2).

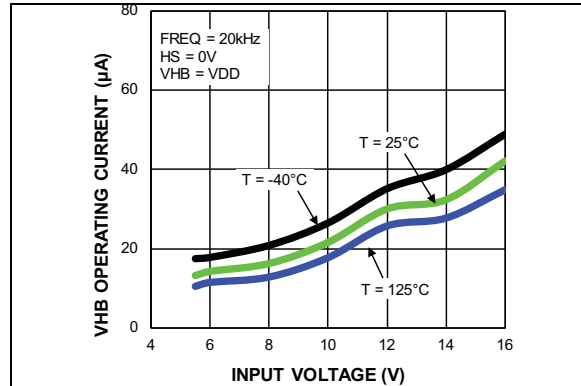
# MIC4606

## 3.0 TYPICAL PERFORMANCE CURVES

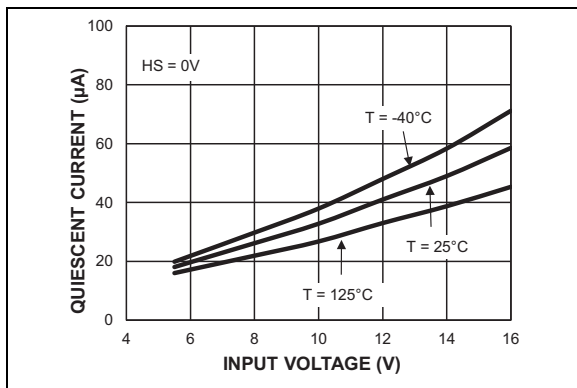
**Note:** The graphs and tables provided following this note are a statistical summary based on a limited number of samples and are provided for informational purposes only. The performance characteristics listed herein are not tested or guaranteed. In some graphs or tables, the data presented may be outside the specified operating range (e.g., outside specified power supply range) and therefore outside the warranted range.



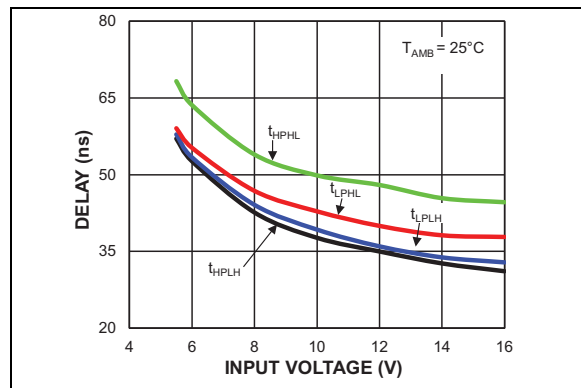
**FIGURE 3-1:**  $V_{DD}$  Quiescent Current vs. Input Voltage.



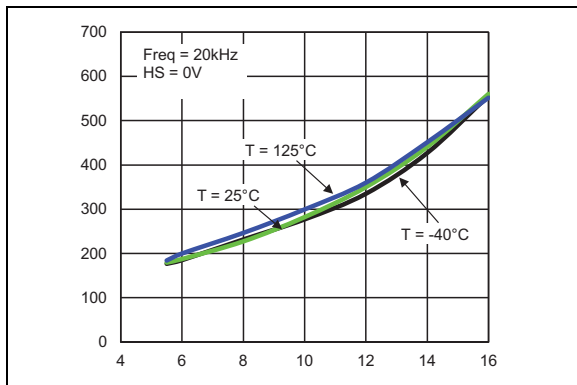
**FIGURE 3-4:**  $V_{HB}$  Operating Current vs. Input Voltage.



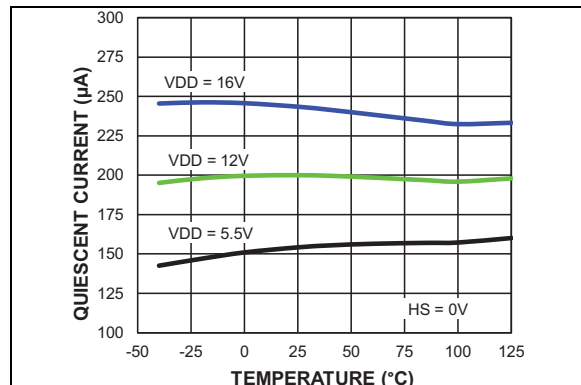
**FIGURE 3-2:** Shutdown Current vs. Input Voltage.



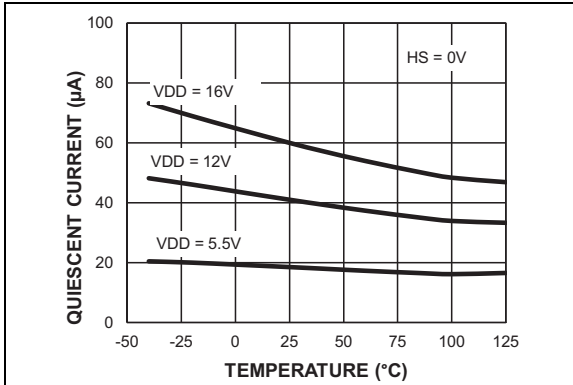
**FIGURE 3-5:** Propagation Delay vs. Input Voltage.



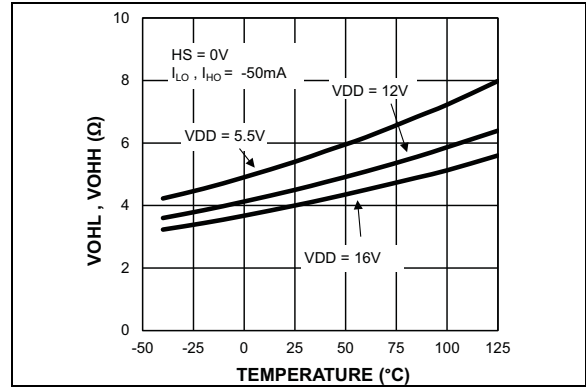
**FIGURE 3-3:**  $V_{DD}$  Operating Current vs. Input Voltage.



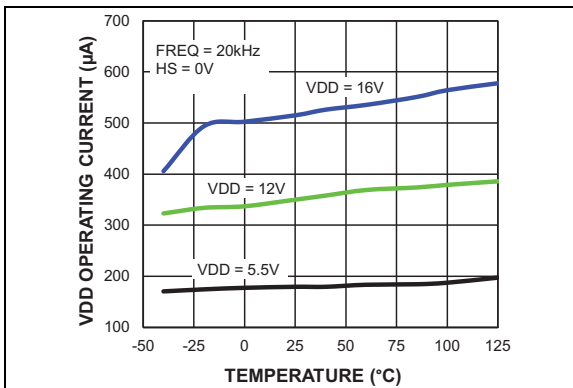
**FIGURE 3-6:**  $V_{DD}$  Quiescent Current vs. Temperature.



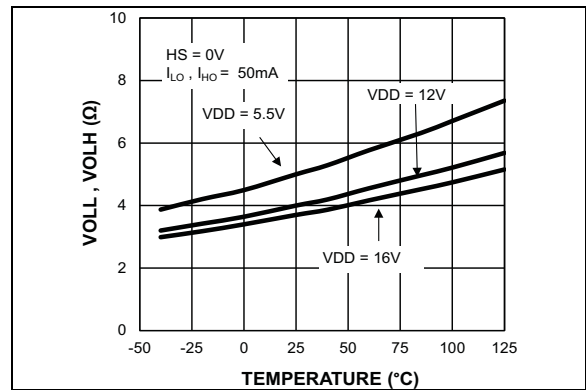
**FIGURE 3-7:** Shutdown Current vs. Temperature.



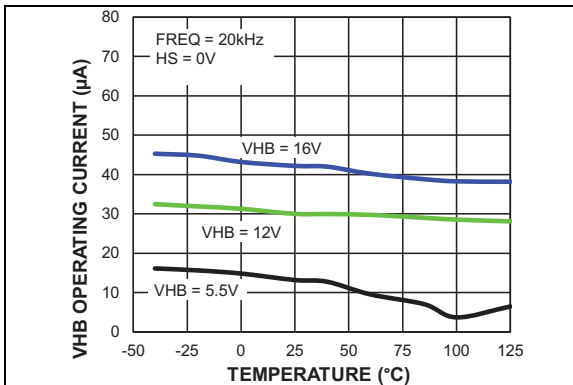
**FIGURE 3-10:** High Level Output Resistance vs. Temperature.



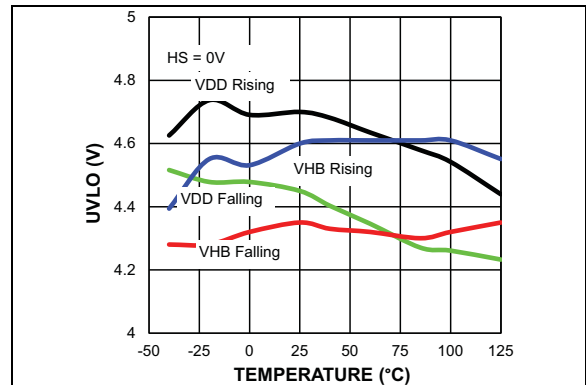
**FIGURE 3-8:**  $V_{DD}$  Operating Current vs. Temperature.



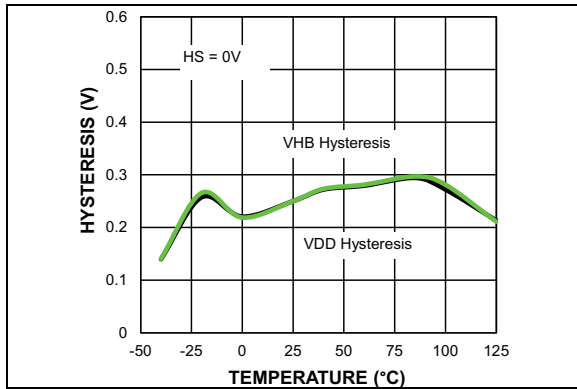
**FIGURE 3-11:** Low Level Output Resistance vs. Temperature.



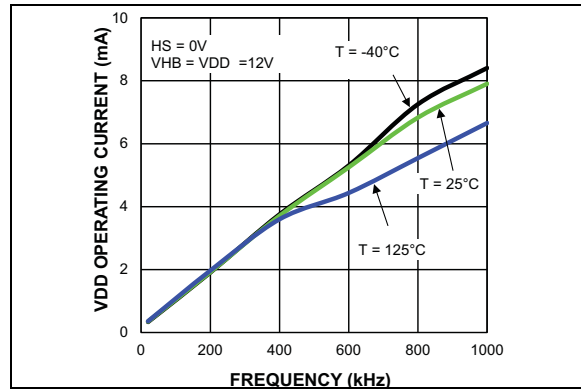
**FIGURE 3-9:**  $V_{HB}$  Operating Current vs. Temperature.



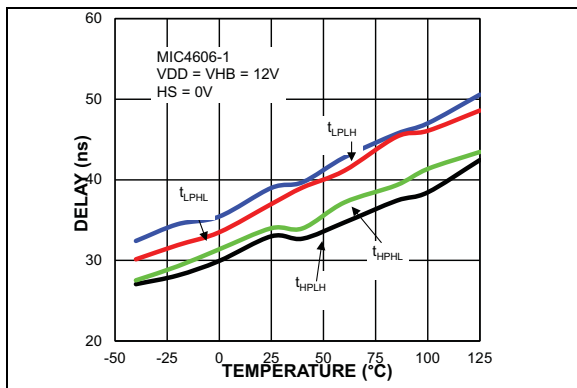
**FIGURE 3-12:** UVLO Thresholds vs. Temperature.



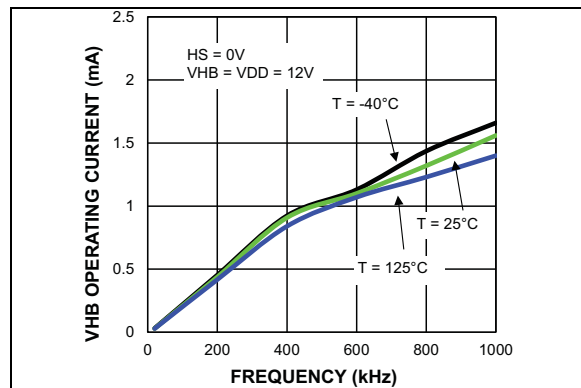
**FIGURE 3-13:** UVLO Hysteresis vs. Temperature.



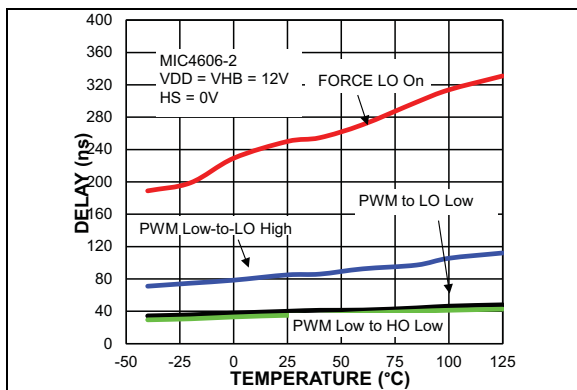
**FIGURE 3-16:**  $V_{DD}$  Operating Current vs. Frequency.



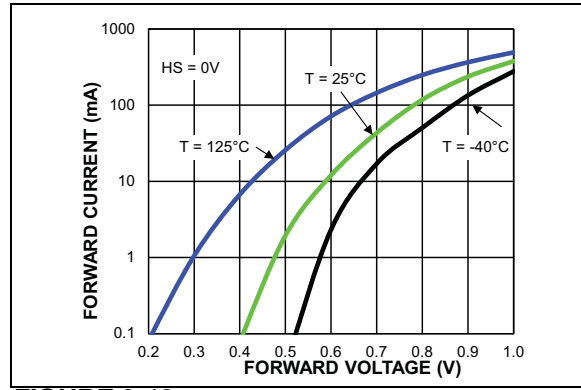
**FIGURE 3-14:** Propagation Delay vs. Temperature.



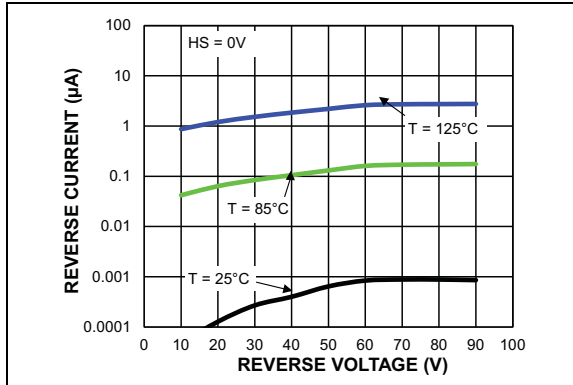
**FIGURE 3-17:**  $V_{HB}$  Operating Current vs. Frequency.



**FIGURE 3-15:** Propagation Delay (PWM) vs. Temperature.



**FIGURE 3-18:** Bootstrap Diode I-V Characteristics.



**FIGURE 3-19:** Bootstrap Diode Reverse Current.

# MIC4606

## 4.0 PIN DESCRIPTIONS

The descriptions of the pins are listed in [Table 4-1](#) through [Table 4-4](#).

**TABLE 4-1: MIC4606-1 QFN PIN FUNCTION TABLE**

Pin Number	MIC4606-1 4x4 QFN	Description
1	NC	No Connect.
2	AHB	Phase A high-side bootstrap supply. An external bootstrap capacitor is required. Connect the bootstrap capacitor between this pin and AHS. An on-chip bootstrap diode is connected from $V_{DD}$ to AHB.
3	AHO	Phase A high-side drive output. Connect to the external high-side power MOSFET gate.
4	AHS	Phase A high-side drive reference connection. Connect to the external high-side power MOSFET source terminal. Connect a bootstrap capacitor between this pin and AHB.
5	ALO	Phase A low-side drive output. Connect to the external low-side power MOSFET gate.
6	VDD	Input supply for gate drivers. Decouple this pin to $V_{SS}$ with a $>1.0 \mu\text{F}$ capacitor.
7	VSS	Driver reference supply input. Connect to the power ground of the external circuitry.
8	BLO	Phase B low-side drive output. Connect to the external low-side power MOSFET gate.
9	BHS	Phase B high-side drive reference connection. Connect to the external high-side power MOSFET source terminal. Connect a bootstrap capacitor between this pin and BHB.
10	BHO	Phase B high-side drive output. Connect to the external high-side power MOSFET gate.
11	BHB	Phase B high-side bootstrap supply. An external bootstrap capacitor is required. Connect the bootstrap capacitor between this pin and BHS. An on-chip bootstrap diode is connected from $V_{DD}$ to BHB.
12	EN	Enable input. A logic high on the enable pin results in normal operation. A logic low disables all outputs and places the driver into a low current shutdown mode. Do not leave this pin floating.
13	BHI	Phase B high-side drive input.
14	BLI	Phase B low-side drive input.
15	ALI	Phase A low-side drive input.
16	AHI	Phase A high-side drive input.
EP	ePad	Exposed thermal pad. Connect to $V_{SS}$ . A connection to the ground plane is necessary for optimum thermal performance.

**TABLE 4-2: MIC4606-2 QFN PIN FUNCTION TABLE**

Pin Number	MIC4606-2 4x4 QFN	Description
1	NC	No Connect.
2	AHB	Phase A high-side bootstrap supply. An external bootstrap capacitor is required. Connect the bootstrap capacitor between this pin and AHS. An on-chip bootstrap diode is connected from $V_{DD}$ to AHB.
3	AHO	Phase A high-side drive output. Connect to the external high-side power MOSFET gate.
4	AHS	Phase A high-side drive reference connection. Connect to the external high-side power MOSFET source terminal. Connect a bootstrap capacitor between this pin and AHB.
5	ALO	Phase A low-side drive output. Connect to the external low-side power MOSFET gate.
6	VDD	Input supply for gate drivers. Decouple this pin to $V_{SS}$ with a $>1.0 \mu\text{F}$ capacitor.
7	VSS	Driver reference supply input. Connect to the power ground of the external circuitry.
8	BLO	Phase B low-side drive output. Connect to the external low-side power MOSFET gate.
9	BHS	Phase B high-side drive reference connection. Connect to the external high-side power MOSFET source terminal. Connect a bootstrap capacitor between this pin and BHB.
10	BHO	Phase B high-side drive output. Connect to the external high-side power MOSFET gate.
11	BHB	Phase B high-side bootstrap supply. An external bootstrap capacitor is required. Connect the bootstrap capacitor between this pin and BHS. An on-chip bootstrap diode is connected from $V_{DD}$ to BHB.
12	EN	Enable input. A logic high on the enable pin results in normal operation. A logic low disables all outputs and places the driver into a low current shutdown mode. Do not leave this pin floating.
13	BPWM	Phase B PWM input for single input signal drive.
14	NC	No connect.
15	NC	No connect.
16	APWM	Phase A PWM input for single input signal drive.
EP	ePad	Exposed thermal pad. Connect to $V_{SS}$ . A connection to the ground plane is necessary for optimum thermal performance.

# MIC4606

TABLE 4-3: MIC4606-1 TSSOP PIN FUNCTION TABLE

Pin Number	MIC4606-1 4x4 TSSOP	Description
1	BHB	Phase B high-side bootstrap supply. An external bootstrap capacitor is required. Connect the bootstrap capacitor between this pin and BHS. An on-chip bootstrap diode is connected from $V_{DD}$ to BHB.
2	EN	Enable input. A logic high on the enable pin results in normal operation. A logic low disables all outputs and places the driver into a low current shutdown mode. Do not leave this pin floating.
3	BHI	Phase B high-side drive input.
4	BLI	Phase B low-side drive input.
5	ALI	Phase A low-side drive input.
6	AHI	Phase A high-side drive input.
7	NC	No Connect.
8	AHB	Phase A high-side bootstrap supply. An external bootstrap capacitor is required. Connect the bootstrap capacitor between this pin and AHS. An on-chip bootstrap diode is connected from $V_{DD}$ to AHB.
9	AHO	Phase A high-side drive output. Connect to the external high-side power MOSFET gate.
10	AHS	Phase A high-side drive reference connection. Connect to the external high-side power MOSFET source terminal. Connect a bootstrap capacitor between this pin and AHB.
11	ALO	Phase A low-side drive output. Connect to the external low-side power MOSFET gate.
12	VDD	Input supply for gate drivers. Decouple this pin to $V_{SS}$ with a $>1.0 \mu\text{F}$ capacitor.
13	VSS	Driver reference supply input. Connect to the power ground of the external circuitry.
14	BLO	Phase B low-side drive output. Connect to the external low-side power MOSFET gate.
15	BHS	Phase B high-side drive reference connection. Connect to the external high-side power MOSFET source terminal. Connect a bootstrap capacitor between this pin and BHB.
16	BHO	Phase B high-side drive output. Connect to the external high-side power MOSFET gate.



**TABLE 4-4: MIC4606-2 TSSOP PIN FUNCTION TABLE**

Pin Number	MIC4606-2 4x4 TSSOP	Description
1	BHB	Phase B high-side bootstrap supply. An external bootstrap capacitor is required. Connect the bootstrap capacitor between this pin and BHS. An on-chip bootstrap diode is connected from $V_{DD}$ to BHB.
2	EN	Enable input. A logic high on the enable pin results in normal operation. A logic low disables all outputs and places the driver into a low current shutdown mode. Do not leave this pin floating.
3	BPWM	Phase B PWM input for single input signal drive.
4	NC	No connect.
5	NC	No connect.
6	APWM	Phase A PWM input for single input signal drive.
7	NC	No Connect.
8	AHB	Phase A high-side bootstrap supply. An external bootstrap capacitor is required. Connect the bootstrap capacitor between this pin and AHS. An on-chip bootstrap diode is connected from $V_{DD}$ to AHB.
9	AHO	Phase A high-side drive output. Connect to the external high-side power MOSFET gate.
10	AHS	Phase A high-side drive reference connection. Connect to the external high-side power MOSFET source terminal. Connect a bootstrap capacitor between this pin and AHB.
11	ALO	Phase A low-side drive output. Connect to the external low-side power MOSFET gate.
12	VDD	Input supply for gate drivers. Decouple this pin to $V_{SS}$ with a $>1.0 \mu\text{F}$ capacitor.
13	VSS	Driver reference supply input. Connect to the power ground of the external circuitry.
14	BLO	Phase B low-side drive output. Connect to the external low-side power MOSFET gate.
15	BHS	Phase B high-side drive reference connection. Connect to the external high-side power MOSFET source terminal. Connect a bootstrap capacitor between this pin and BHB.
16	BHO	Phase B high-side drive output. Connect to the external high-side power MOSFET gate.

# MIC4606

## 5.0 FUNCTIONAL DIAGRAM

For xHO to be high, the xHI must be high and the xLO must be low. xHO going high is delayed by xLO falling below 1.9V. The xHI and xLI inputs must not rise at the same time to prevent a glitch from occurring on the output. A minimum 50 ns delay between both inputs is recommended.

xLO is turned off very quickly on the xLI falling edge. xLO going high is delayed by the longer of 35 ns delay of xHO control signal going “off” or the RS latch being set.

The latch is set by the quicker of either the falling edge of xHS or xLI gated delay of 250 ns. The latch is present to lockout xLO bounce due to ringing on xHS. If xHS never adequately falls due to the absence of or the presence of a very weak external pull-down on xHS, the gated delay of 250 ns at xLI will set the latch allowing xLO to transition high. This in turn allows the xLI startup pulse to charge the bootstrap capacitor if the load inductor current is very low and xHS is uncontrolled. The latch is reset by the xLI falling edge.

There is one external enable pin that controls both phases.

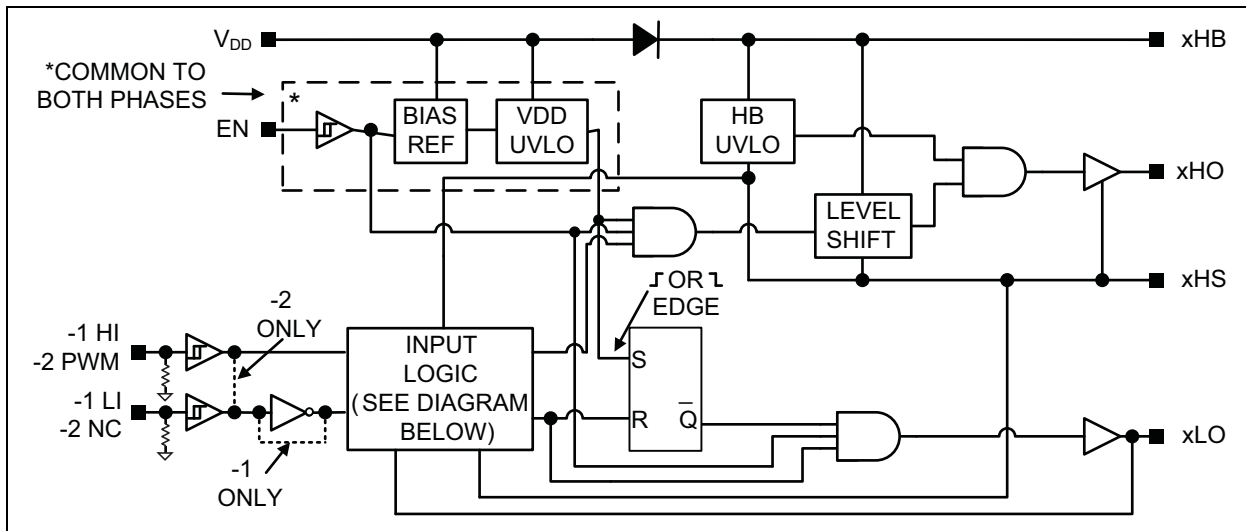


FIGURE 5-1: MIC4606 xPhase Top Level Block Diagram.

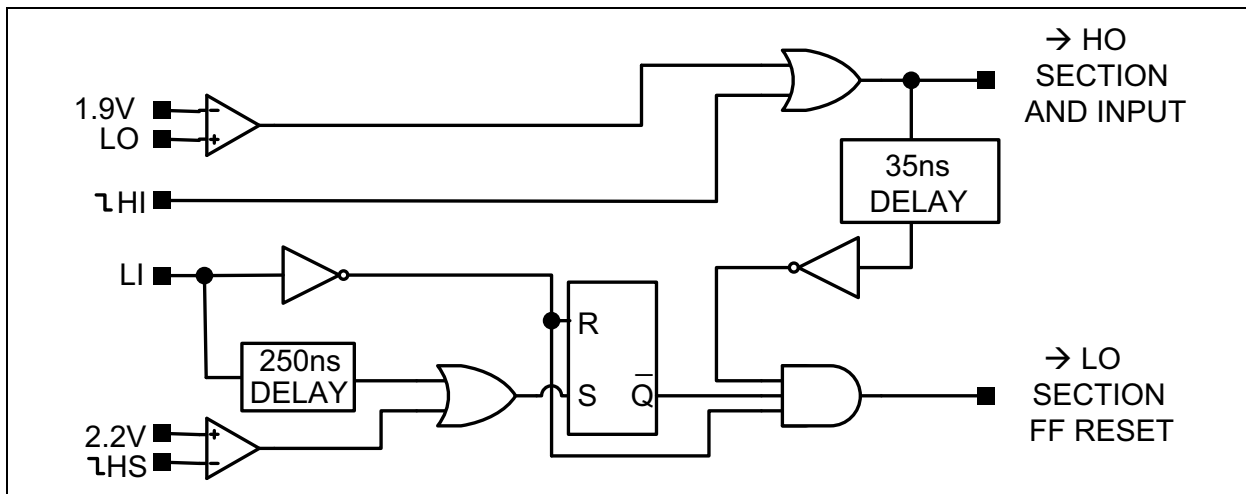


FIGURE 5-2: Input Logic Block in Figure 5-1.

## 6.0 FUNCTIONAL DESCRIPTION

The MIC4606 is a non-inverting, 85V full-bridge MOSFET driver designed to independently drive all four N-Channel MOSFETs in the bridge. The MIC4606 offers a wide 5.5V to 16V operating supply range with either four independent TTL inputs (MIC4606-1) or two PWM inputs, one for each phase (MIC4606-2). Refer to Figure 5-1.

The drivers contain input buffers with hysteresis, three independent UVLO circuits (two high side and one low side), and four output drivers. The high-side output drivers utilize a high-speed level-shifting circuit that is referenced to its HS pin. Each phase has an internal diode that is used by the bootstrap circuits to provide the drive voltages for each of the two high-side outputs.

### 6.1 Startup and UVLO

The UVLO circuits force the driver's outputs low until the supply voltage exceeds the UVLO threshold. The low-side UVLO circuit monitors the voltage between the  $V_{DD}$  and  $V_{SS}$  pins. The high-side UVLO circuits monitor the voltage between the xHB and xHS pins. Hysteresis in the UVLO circuits prevent noise and finite circuit impedance from causing chatter during turn-on.

### 6.2 Enable Inputs

There is one external enable pin that controls both phases. A logic high on the enable pin (EN) allows for startup of both phases and normal operation. Conversely, when a logic low is applied on the enable pin, both phases turn-off and the device enters a low current shutdown mode. All outputs (xHO and xLO) are pulled low when EN is low. Do not leave the EN pin floating.

### 6.3 Input Stage

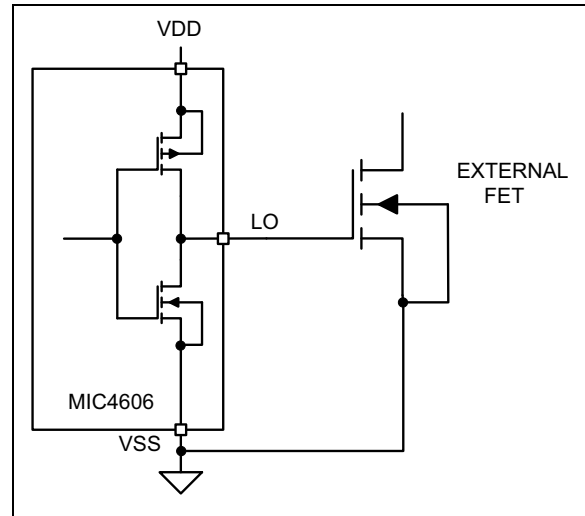
All input pins (xLI and xHI) are referenced to the  $V_{SS}$  pin. The MIC4606 has a TTL-compatible input range and can be used with input signals with amplitude less than the supply voltage. The threshold level is independent of the  $V_{DD}$  supply voltage and there is no dependence between  $I_{V_{DD}}$  and the input signal amplitude. This feature makes the MIC4606 an excellent level translator that will drive high level gate threshold MOSFETs from a low-voltage PWM IC.

### 6.4 Low-Side Driver

A block diagram of the low-side driver is shown in Figure 6-1. It drives a ground ( $V_{SS}$  pin) referenced N-channel MOSFET.

Low impedances in the driver allow the external MOSFET to be turned on and off quickly. The rail-to-rail drive capability of the output ensures high noise immunity and a low  $R_{DS(ON)}$  from the external MOSFET.

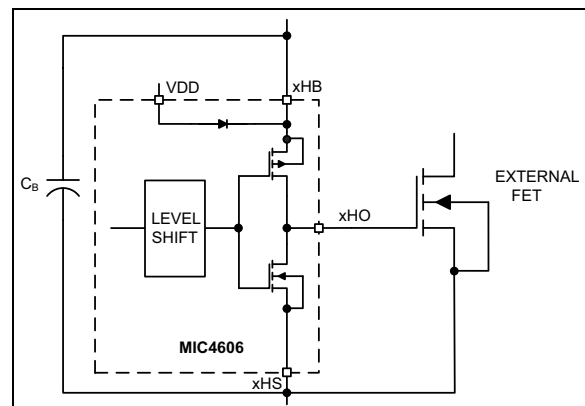
A high level applied to xLI pin causes  $V_{DD}$  to be applied to the gate of the external MOSFET. A low level on the xLI pin grounds the gate of the external MOSFET.



**FIGURE 6-1:** Low-Side Driver Block Diagram.

### 6.5 High-Side Driver and Bootstrap Circuit

A block diagram of the high-side driver and bootstrap circuit is shown in Figure 6-2. This driver is designed to drive a floating N-channel MOSFET, whose source terminal is referenced to the HS pin.



**FIGURE 6-2:** High-Side Driver and Bootstrap Circuit Block Diagram.

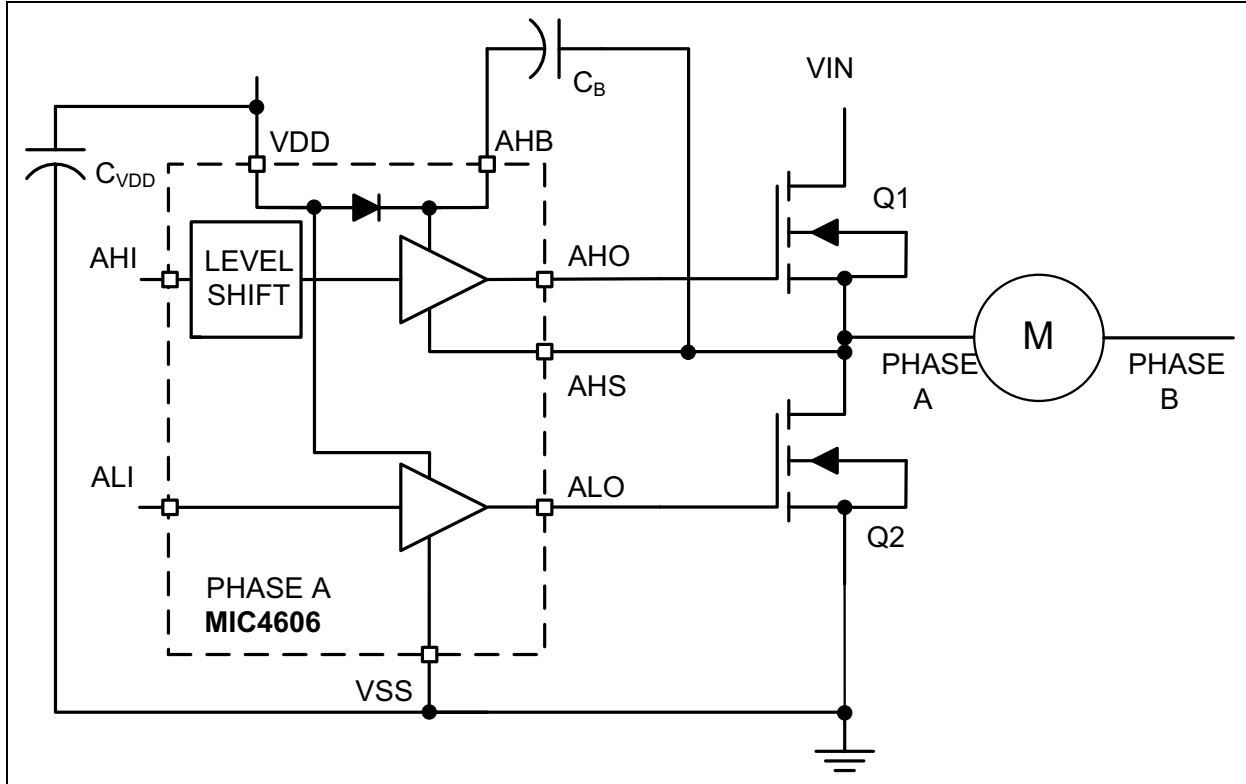
A low-power, high-speed, level-shifting circuit isolates the low side ( $V_{SS}$  pin) referenced circuitry from the high-side (xHS pin) referenced driver. Power to the high-side driver and UVLO circuit is supplied by the bootstrap capacitor ( $C_B$ ) while the voltage level of the xHS pin is shifted high.

The bootstrap circuit consists of an internal diode and external capacitor,  $C_B$ . In a typical application, such as the motor driver shown in Figure 6-3 (only Phase A illustrated), the AHS pin is at ground potential while the

# MIC4606

low-side MOSFET is on. The internal diode allows capacitor  $C_B$  to charge up to  $V_{DD} - V_F$  during this time (where  $V_F$  is the forward voltage drop of the internal diode). After the low-side MOSFET is turned off and the AHO pin turns on, the voltage across capacitor  $C_B$  is applied to the gate of the high-side external MOSFET.

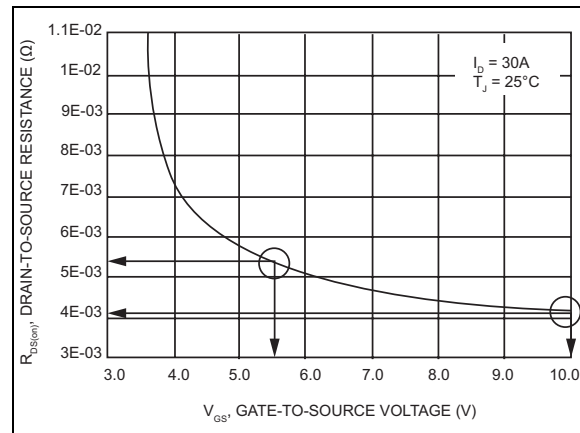
As the high-side MOSFET turns on, voltage on the AHS pin rises with the source of the high-side MOSFET until it reaches  $V_{IN}$ . As the AHS and AHB pins rise, the internal diode is reverse biased, preventing capacitor  $C_B$  from discharging.



**FIGURE 6-3:** MIC4606 Motor Driver Example.

## 6.6 Programmable Gate Drive

The MIC4606 offers programmable gate drive, which means the MOSFET gate drive (gate-to-source voltage) equals the  $V_{DD}$  voltage. This feature offers designers flexibility in driving the MOSFETs. Different MOSFETs require different  $V_{GS}$  characteristics for optimum  $R_{DS(ON)}$  performance. Typically, the higher the gate voltage (up to 16V), the lower the  $R_{DS(ON)}$  achieved. For example, a NTMSF4899NF MOSFET can be driven to the ON state with a gate voltage of 5.5V but  $R_{DS(ON)}$  is 5.2 m $\Omega$ . If driven to 10V,  $R_{DS(ON)}$  is 4.1 m $\Omega$ —a decrease of 20%. In low-current applications, the losses due to  $R_{DS(ON)}$  are minimal, but in battery-powered high-current motor drive applications such as power tools, the difference in  $R_{DS(ON)}$  can cut into the efficiency budget, reducing run time.



**FIGURE 6-4:** MOSFET  $R_{DS(ON)}$  vs.  $V_{GS}$ .

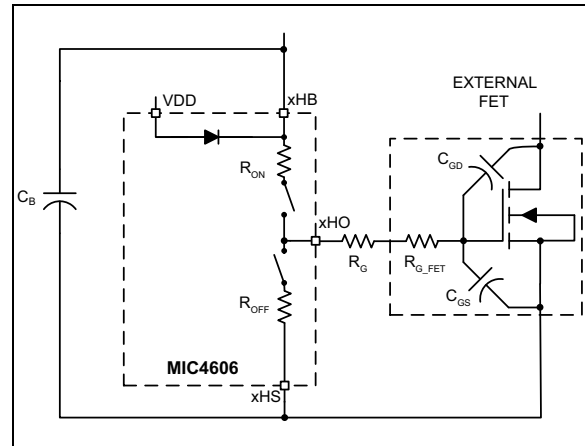
## 7.0 APPLICATION INFORMATION

### 7.1 Adaptive Dead Time

The door lock/unlock circuit diagram shown in Figure 7-2 is used to illustrate the importance of the adaptive dead time feature of the MIC4606. For each phase, it is important that both MOSFETs are not conducting at the same time or  $V_{IN}$  will be shorted to ground and current will “shoot through” the MOSFETs. Excessive shoot-through causes higher power dissipation in the MOSFETs, voltage spikes and ringing. The high switching current and voltage ringing generate conducted and radiated EMI.

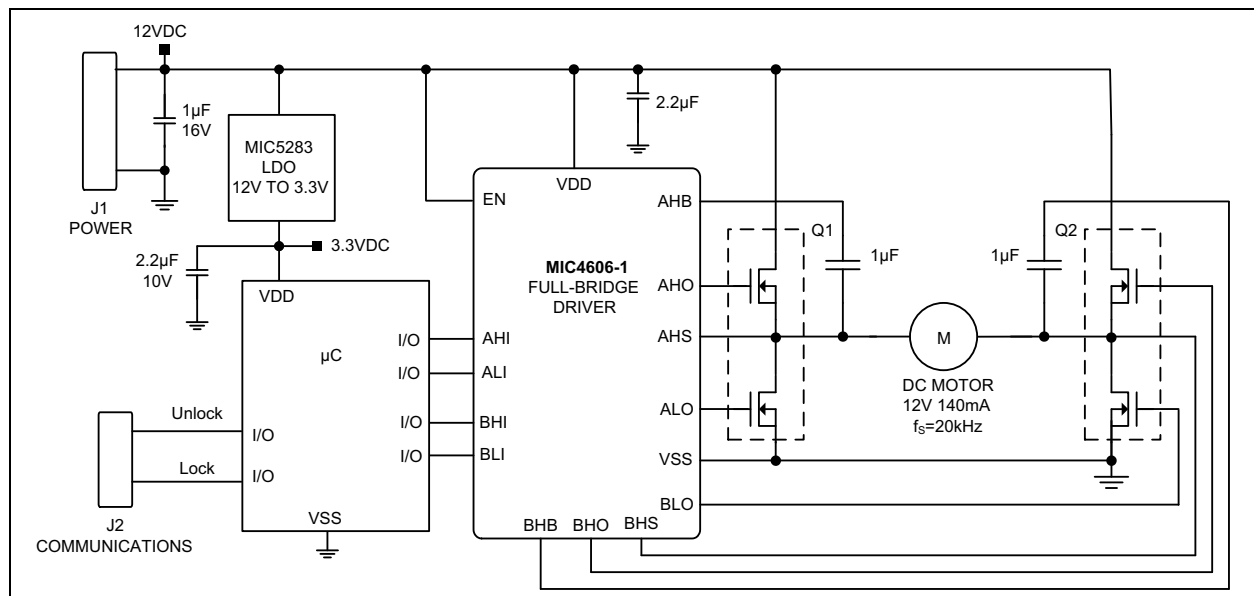
Minimizing shoot-through can be done passively, actively or through a combination of both. Passive shoot-through protection can be achieved by implementing delays between the high and low gate drivers to prevent both MOSFETs from being on at the same time. These delays can be adjusted for different applications. Although simple, the disadvantage of this approach is that it requires long delays to account for process and temperature variations in the MOSFET and MOSFET driver.

Adaptive dead time monitors voltages on the gate drive outputs and switch node to determine when to switch the MOSFETs on and off. This active approach adjusts the delays to account for some of the variations, but it too has its disadvantages. High currents and fast switching voltages in the gate drive and return paths can cause parasitic ringing to turn the MOSFETs back on even while the gate driver output is low. Another disadvantage is that the driver cannot monitor the gate voltage inside the MOSFET. Figure 7-1 shows an equivalent circuit of the high-side gate drive, including parasitic.



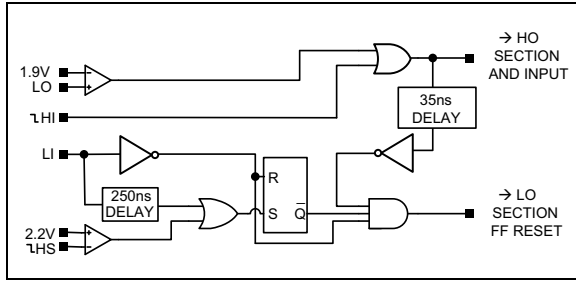
**FIGURE 7-1:** MIC4606 Driving an External MOSFET.

The internal gate resistance ( $R_{G\_FET}$ ) and any external damping resistor ( $R_G$ ) isolate the MOSFET’s gate from the driver output. There is a delay between when the driver output goes low and the MOSFET turns off. This turn-off delay is usually specified in the MOSFET data sheet. This delay increases when an external damping resistor is used.



**FIGURE 7-2:** Door Lock/Unlock Circuit.

# MIC4606



**FIGURE 7-3:** Adaptive Dead-Time Logic Diagram.

The MIC4606 uses a combination of active sensing and passive delay to ensure that both MOSFETs are not on at the same time. Figure 7-3 illustrates how the adaptive dead time circuitry works.

For the MIC4606-2, a high level on the xPWM pin causes /HI to go high and /LI to go low. This causes the xLO pin to go low. The MIC4606 monitors the xLO pin voltage and prevents the xHO pin from turning on until the voltage on the xLO pin reaches the  $V_{LOOFF}$  threshold. After a short delay, the MIC4606 drives the xHO pin high. Monitoring the xLO voltage eliminates any excessive delay due to the MOSFET drivers turn-off time and the short delay accounts for the MOSFET turn-off delay as well as letting the xLO pin voltage settle out. An external resistor between the xLO output and the MOSFET may affect the performance of the xLO pin monitoring circuit and is not recommended.

A low on the xPWM pin causes /HI to go low and /LI to go high. This causes the xHO pin to go low after a short delay ( $t_{HOFF}$ ). Before the xLO pin can go high, the voltage on the switching node (xHS pin) must have dropped to 2.2V. Monitoring the switch voltage instead of the xHO pin voltage eliminates timing variations and excessive delays due to the high side MOSFET turn-off. The xLO driver turns on after a short delay ( $t_{LON}$ ). Once the xLO driver is turned on, it is latched on until the xPWM signal goes high. This prevents any ringing or oscillations on the switch node or xHS pin from turning off the xLO driver. If the xPWM pin goes low and the voltage on the xHS pin does not cross the  $V_{SWTH}$  threshold, the xLO pin will be forced high after a short delay ( $t_{SWTO}$ ), insuring proper operation.

The internal logic circuits also insure a “first on” priority at the inputs. If the xHO output is high, the xLI pin is inhibited. A high signal or noise glitch on the xLI pin has no effect on the xHO or xLO outputs until the xHI pin goes low. Similarly, the xLO being high holds xHO low until xLI and xLO are low.

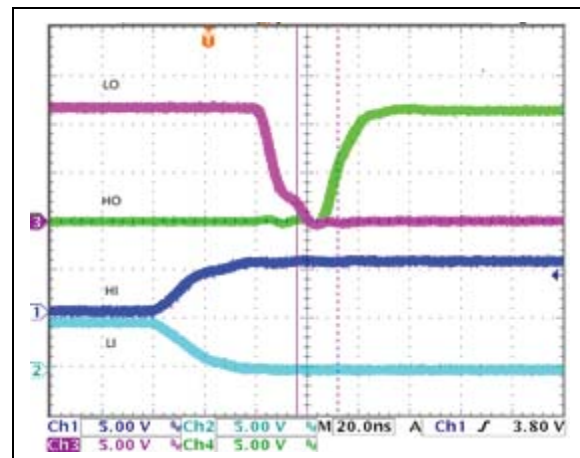
Fast propagation delay between the input and output drive waveform is desirable. It improves overcurrent protection by decreasing the response time between the control signal and the MOSFET gate drive. Minimizing propagation delay also minimizes phase shift errors in power supplies with wide bandwidth control loops.

Care must be taken to ensure that the input signal pulse width is greater than the minimum specified pulse width. An input signal that is less than the minimum pulse width may result in no output pulse or an output pulse whose width is significantly less than the input.

The maximum duty cycle (ratio of high side on-time to switching period) is determined by the time required for the  $C_B$  capacitor to charge during the off-time. Adequate time must be allowed for the  $C_B$  capacitor to charge up before the high-side driver is turned back on.

Although the adaptive dead time circuit in the MIC4606 prevents the driver from turning both MOSFETs on at the same time, other factors outside of the anti shoot-through circuit’s control can cause shoot-through. Other factors include ringing on the gate drive node and capacitive coupling of the switching node voltage on the gate of the low-side MOSFET.

The scope photo in Figure 7-4 shows the dead time (<20 ns) between the high and low-side MOSFET transitions as the low-side driver switches off while the high-side driver transitions from off to on.



**FIGURE 7-4:** Adaptive Dead Time LO (low) to HO (high).

Table 7-1 contains truth tables for the MIC4606-1 (Independent TTL inputs) and Table 7-2 is for the MIC4606-2 (PWM inputs) that details the “first on” priority as well as the failsafe delay ( $t_{SWTO}$ ).

**TABLE 7-1: MIC4606-1 TRUTH TABLE**

xLI	xHI	xLO	xHO	Comments
0	0	0	0	Both outputs off.
0	1	0	1	xHO will not go high until xLO falls below 1.9V.
1	0	1	0	xLO will be delayed an extra 250 ns if xHS never falls below 2.2V.
1	1	X	X	First ON stays on until input of same goes low.

**TABLE 7-2: MIC4606-2 TRUTH TABLE**

xPWM	xLO	xHO	Comments
0	1	0	xLO will be delayed an extra 250 ns if xHS never falls below 2.2V.
1	0	1	xHO will not go high until xLO falls below 1.9V.

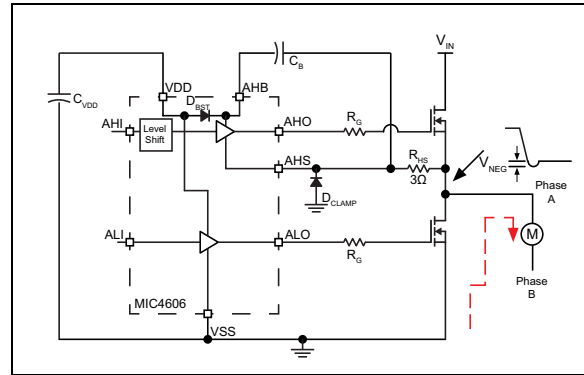
## 7.2 HS Pin Clamp

A resistor/diode clamp between the motor phase node and the xHS pin is necessary to clamp large negative glitches or pulses on the xHS pin.

Figure 7-5 shows the Phase A section high-side and low-side MOSFETs connected to one phase of the motor. There is a brief period of time (dead time) between switching to prevent both MOSFETs from being on at the same time. When the high-side MOSFET is conducting during the on-time state, current flows into the motor. After the high-side MOSFET turns off, but before the low-side MOSFET turns on, current from the motor flows through the body diode in parallel with the low-side MOSFET. Depending upon the turn-on time of the body diode, the motor current, and circuit parasitics, the initial negative voltage on the switch node can be several volts or more. The forward voltage drop of the body diode can be several volts, depending on the body diode characteristics and motor current.

Even though the xHS pins are rated for negative voltage, it is good practice to clamp the negative voltage on the xHS pin with a resistor and diode to prevent excessive negative voltage from damaging the driver. Depending upon the application and amount of negative voltage on the switch node, a 3Ω resistor is recommended. If the xHS pin voltage exceeds 0.7V, a diode between the xHS pin and ground is recommended. The diode reverse voltage rating must be greater than the high-voltage input supply ( $V_{IN}$ ). Larger values of resistance can be used if necessary.

Adding a series resistor in the switch node limits the peak high-side driver current during turn-off, which affects the switching speed of the high-side driver. The resistor in series with the HO pin may be reduced to help compensate for the extra HS pin resistance.



**FIGURE 7-5: Negative HS Pin Voltage.**

## 7.3 Power Dissipation Considerations

Power dissipation in the driver can be separated into three areas:

- Internal diode dissipation in the bootstrap circuit
- Internal driver dissipation
- Quiescent current dissipation used to supply the internal logic and control functions.

## 7.4 Bootstrap Circuit Power Dissipation

Power dissipation of the internal bootstrap diode primarily comes from the average charging current of the bootstrap capacitor ( $C_B$ ) multiplied by the forward voltage drop of the diode. Secondary sources of diode power dissipation are the reverse leakage current and reverse recovery effects of the diode.

The average current drawn by repeated charging of the high-side MOSFET is calculated by:

**EQUATION 7-1:**

$$I_{F(AVE)} = Q_{GATE} \times f_S$$

Where:

- $Q_{GATE}$  Total gate charge at  $V_{HB}$
- $f_S$  Gate drive switching frequency

The average power dissipated by the forward voltage drop of the diode equals:

**EQUATION 7-2:**

$$P_{DIODEfwd} = I_{F(AVE)} \times V_F$$

Where:

- $V_F$  Diode forward voltage drop



# MIC4606

There are two phases in the MIC4606. The power dissipation for each of the bootstrap diodes must be calculated and summed to obtain the total bootstrap diode power dissipation for the package.

The value of  $V_F$  should be taken at the peak current through the diode; however, this current is difficult to calculate because of differences in source impedances. The peak current can either be measured or the value of  $V_F$  at the average current can be used, which will yield a good approximation of diode power dissipation.

The reverse leakage current of the internal bootstrap diode is typically  $3 \mu\text{A}$  at a reverse voltage of  $85\text{V}$  at  $125^\circ\text{C}$ . Power dissipation due to reverse leakage is typically much less than  $1 \text{ mW}$  and can be ignored.

An optional external bootstrap diode may be used instead of the internal diode (Figure 7-6). An external diode may be useful if high gate charge MOSFETs are being driven and the power dissipation of the internal diode is contributing to excessive die temperatures. The voltage drop of the external diode must be less than the internal diode for this option to work. The reverse voltage across the diode will be equal to the input voltage minus the  $V_{DD}$  supply voltage. The above equations can be used to calculate power dissipation in the external diode; however, if the external diode has significant reverse leakage current, the power dissipated in that diode due to reverse leakage can be calculated as:

## EQUATION 7-3:

$$P_{DIODErev} = I_R \times V_{REV} \times (1 - D)$$

Where:

- $I_R$  Reverse current flow at  $V_{REV}$  and  $T_J$
- $V_{REV}$  Diode reverse voltage
- $D$  Duty cycle ( $t_{ON} \times f_S$ )

The on-time is the time the high-side switch is conducting. In most topologies, the diode is reverse biased during the switching cycle off-time.

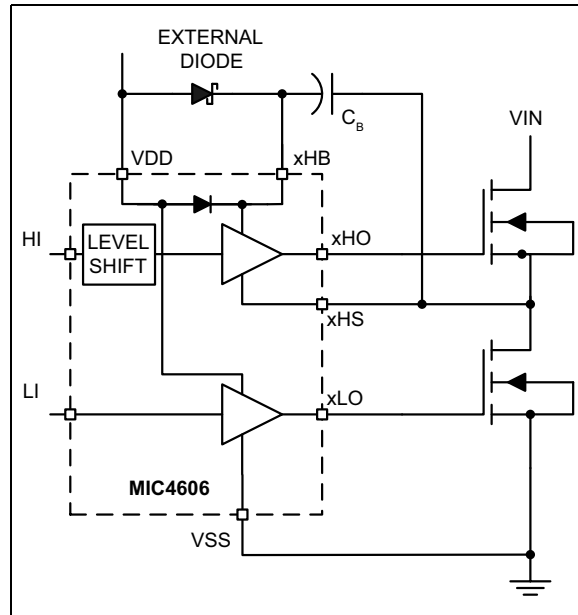


FIGURE 7-6: Optional Bootstrap Diode.

## 7.5 Gate Driver Power Dissipation

Power dissipation in the output driver stage is mainly caused by charging and discharging the gate to source and gate to drain capacitance of the external MOSFET. Figure 7-7 shows a simplified equivalent circuit of the MIC4606 driving an external high-side MOSFET.

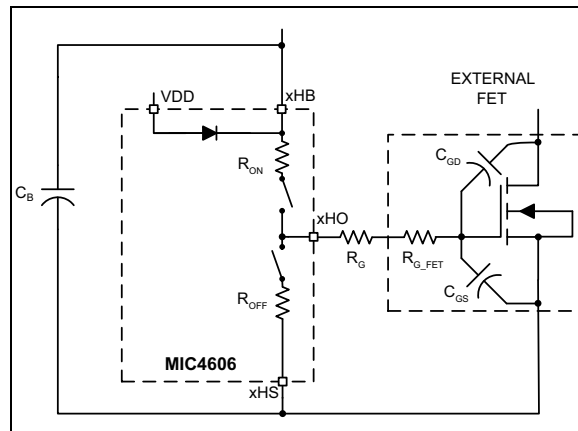


FIGURE 7-7: MIC4606 Driving an External High-Side MOSFET.



## 7.6 Dissipation During the External MOSFET Turn-On

Energy from capacitor  $C_B$  is used to charge up the input capacitance of the MOSFET ( $C_{GD}$  and  $C_{GS}$ ). The energy delivered to the MOSFET is dissipated in the three resistive components,  $R_{ON}$ ,  $R_G$  and  $R_{G\_FET}$ .  $R_{ON}$  is the on resistance of the upper driver MOSFET in the MIC4606.  $R_G$  is the series resistor (if any) between the driver and the MOSFET.  $R_{G\_FET}$  is the gate resistance of the MOSFET.  $R_{G\_FET}$  is usually listed in the power MOSFET's specifications. The ESR of capacitor  $C_B$  and the resistance of the connecting etch can be ignored since they are much less than  $R_{ON}$  and  $R_{G\_FET}$ .

The effective capacitances of  $C_{GD}$  and  $C_{GS}$  are difficult to calculate because they vary non-linearly with  $I_D$ ,  $V_{GS}$ , and  $V_{DS}$ . Fortunately, most power MOSFET specifications include a typical graph of total gate charge versus  $V_{GS}$ . Figure 7-8 shows a typical gate charge curve for an arbitrary power MOSFET. This chart shows that for a gate voltage of 10V, the MOSFET requires about 23.5 nC of charge. The energy dissipated by the resistive components of the gate drive circuit during turn-on is calculated as:

### EQUATION 7-4:

$$E = \frac{1}{2} \times C_{ISS} \times V_{GS}^2$$

Where:

$C_{ISS}$  Total gate capacitance of the MOSFET

but

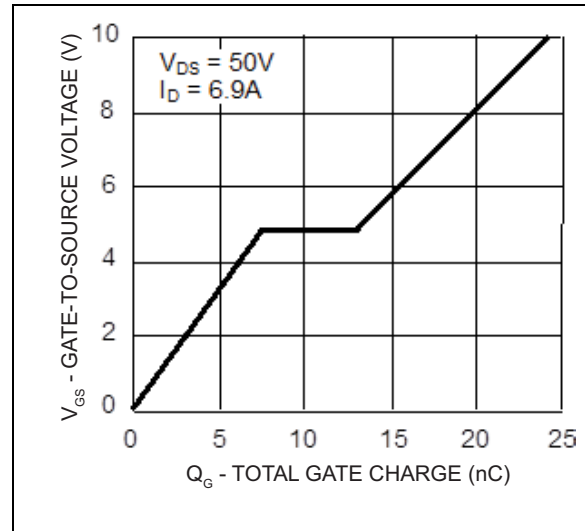
### EQUATION 7-5:

$$Q = C \times V$$

so

### EQUATION 7-6:

$$E = \frac{1}{2} \times Q_G \times V_{GS}$$



**FIGURE 7-8:** Typical Gate Charge vs.  $V_{GS}$ .

The same energy is dissipated by  $R_{OFF}$ ,  $R_G$ , and  $R_{G\_FET}$  when the driver IC turns the MOSFET off. Assuming  $R_{ON}$  is approximately equal to  $R_{OFF}$ , the total energy and power dissipated by the resistive drive elements is:

### EQUATION 7-7:

$$E_{DRIVER} = Q_G \times V_{GS}$$

Where:

$E_{DRIVER}$  Energy dissipated per switching cycle

and

### EQUATION 7-8:

$$P_{DRIVER} = Q_G \times V_{GS} \times f_S$$

Where:

$P_{DRIVER}$  Power dissipated per switching cycle  
 $Q_G$  Total gate charge at  $V_{GS}$   
 $V_{GS}$  Gate-to-source voltage on the MOSFET  
 $f_S$  Switching frequency of the gate drive circuit

The power dissipated in the driver equals the ratio of  $R_{ON}$  and  $R_{OFF}$  to the external resistive losses in  $R_G$  and  $R_{G\_FET}$ . Letting  $R_{ON} = R_{OFF}$ , the power dissipated in the driver due to driving the external MOSFET is:

# MIC4606

## EQUATION 7-9:

$$P_{diss\_driver} = P_{DRIVER} \times \frac{R_{ON}}{R_{ON} + R_G + R_{G\_FET}}$$

There are four MOSFETs driven by the MIC4606. The power dissipation for each of the drivers must be calculated and summed to obtain the total driver diode power dissipation for the package.

In some cases, the high-side FET of one phase may be pulsed at a frequency,  $f_S$ , while the low-side FET of the other phase is kept continuously on. Since the MOSFET gate is capacitive, there is no driver power if the FET is not switched. The operation of each of the four drivers must be considered to accurately calculate power dissipation.

## 7.7 Supply Current Power Dissipation

Power is dissipated in the input and control sections of the MIC4606, even if there is no external load. Current is still drawn from the  $V_{DD}$  and HB pins for the internal circuitry, the level shifting circuitry, and shoot-through current in the output drivers. The  $V_{DD}$  and HB currents are proportional to operating frequency and the  $V_{DD}$  and  $V_{HB}$  voltages. The typical characteristic graphs show how supply current varies with switching frequency and supply voltage.

The power dissipated by the MIC4606 due to supply current is:

## EQUATION 7-10:

$$P_{diss\_supply} = V_{DD} \times I_{DD} + V_{HB} \times I_{HB}$$

Values for  $I_{DD}$  and  $I_{HB}$  are found in the [Electrical Characteristics](#) tables and the [Typical Performance Curves](#) graphs.

## 7.8 Total Power Dissipation and Thermal Considerations

Total power dissipation in the MIC4606 is equal to the power dissipation caused by driving the external MOSFETs, the supply currents and the internal bootstrap diodes.

## EQUATION 7-11:

$$P_{diss\_total} = P_{diss\_supply} + P_{diss\_drive} + P_{DIODE}$$

The die temperature can be calculated after the total power dissipation is known.

## EQUATION 7-12:

$$T_J = T_A + P_{DISStotal} \times \theta_{JA}$$

Where:

$T_A$	Maximum ambient temperature
$T_J$	Junction temperature
$P_{DISStotal}$	Total power dissipation
$\theta_{JA}$	Thermal resistance from junction to ambient air

## 7.9 Other Timing Considerations

Make sure the input signal pulse width is greater than the minimum specified pulse width. An input signal that is less than the minimum pulse width may result in no output pulse or an output pulse whose width is significantly less than the input.

The maximum duty cycle (ratio of high side on-time to switching period) is controlled by the minimum pulse width of the low side and by the time required for the  $C_B$  capacitor to charge during the off-time. Adequate time must be allowed for the  $C_B$  capacitor to charge up before the high-side driver is turned on.

## 7.10 Decoupling and Bootstrap Capacitor Selection

Decoupling capacitors are required for both the low side ( $V_{DD}$ ) and high side (HB) supply pins. These capacitors supply the charge necessary to drive the external MOSFETs and also minimize the voltage ripple on these pins. The capacitor from HB to HS has two functions: it provides decoupling for the high-side circuitry and also provides current to the high-side circuit while the high-side external MOSFET is on. Ceramic capacitors are recommended because of their low impedance and small size. Z5U type ceramic capacitor dielectrics are not recommended because of the large change in capacitance over temperature and voltage. A minimum value of 0.1  $\mu\text{F}$  is required for  $C_B$  (HB to HS capacitors) and 1  $\mu\text{F}$  for the  $V_{DD}$  capacitor, regardless of the MOSFETs being driven. Larger MOSFETs may require larger capacitance values for proper operation. The voltage rating of the capacitors

depends on the supply voltage, ambient temperature and the voltage derating used for reliability. 25V rated X5R or X7R ceramic capacitors are recommended for most applications. The minimum capacitance value should be increased if low voltage capacitors are used because even good quality dielectric capacitors, such as X5R, will lose 40% to 70% of their capacitance value at the rated voltage.

Placement of the decoupling capacitors is critical. The bypass capacitor for  $V_{DD}$  should be placed as close as possible between the  $V_{DD}$  and  $V_{SS}$  pins. The bypass capacitor ( $C_B$ ) for the HB supply pin must be located as close as possible between the HB and HS pins. The etch connections must be short, wide, and direct. The use of a ground plane to minimize connection impedance is recommended. Refer to the section Grounding, Component Placement and Circuit Layout for more information.

The voltage on the bootstrap capacitor drops each time it delivers charge to turn on the MOSFET. The voltage drop depends on the gate charge required by the MOSFET. Most MOSFET specifications specify gate charge versus  $V_{GS}$  voltage. Based on this information and a recommended  $\Delta V_{HB}$  of less than 0.1V, the minimum value of bootstrap capacitance is calculated as:

#### EQUATION 7-13:

$$C_B \geq \frac{Q_{GATE}}{\Delta V_{HB}}$$

Where:

$Q_{GATE}$  Total gate charge at  $V_{HB}$   
 $\Delta V_{HB}$  Voltage drop at the HB pin

If the high-side MOSFET is not switched but held in an on state, the voltage in the bootstrap capacitor will drop due to leakage current that flows from the HB pin to ground. This current is specified in the [Electrical Characteristics](#) table. In this case, the value of  $C_B$  is calculated as:

#### EQUATION 7-14:

$$C_B \geq \frac{I_{HBS} \times t_{ON}}{\Delta V_{HB}}$$

Where:

$I_{HBS}$  Maximum HB pin leakage current  
 $t_{ON}$  Maximum high-side FET on-time

The larger value of  $C_B$  from [Equation 7-13](#) or [7-14](#) should be used.

## 7.11 DC Motor Applications

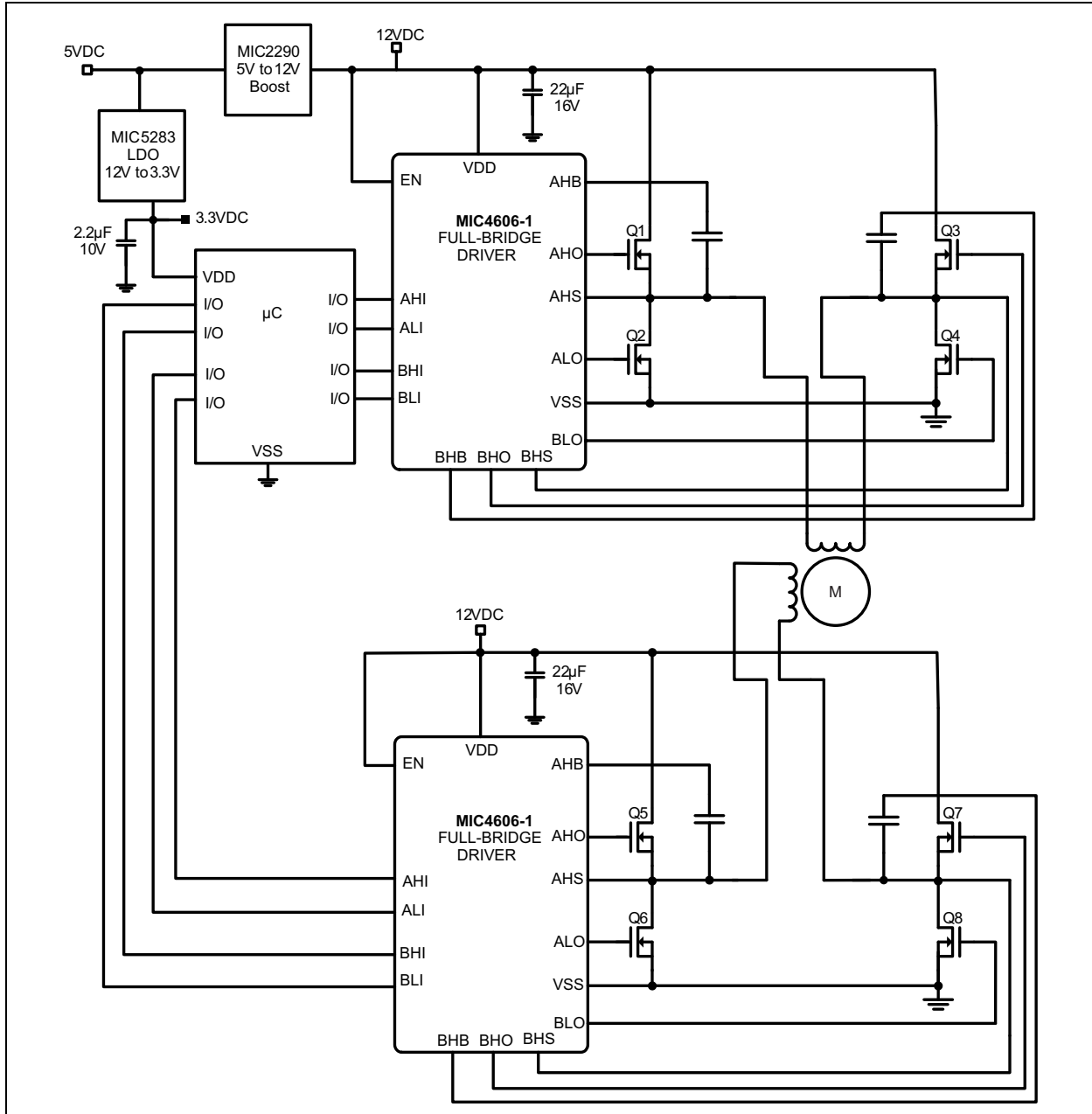
MIC4606 MOSFET drivers are widely used in DC motor applications. They address both stepper and brushed motors in full-bridge topologies. As shown in [Figure 7-9](#) and [Figure 7-10](#), the driver switches the MOSFETs at variable duty cycles that modulate the voltage to control motor speed. The full-bridge topology allows for bi-directional control.

The MIC4606's 85V operating voltage offers ample operating voltage margin to protect against voltage spikes in the motor drive circuitry. It is good practice to have at least twice the HV voltage of the motor supply. The MIC4606's 85V operating voltage allows sufficient margin for 12V, 24V, and 40V motors.

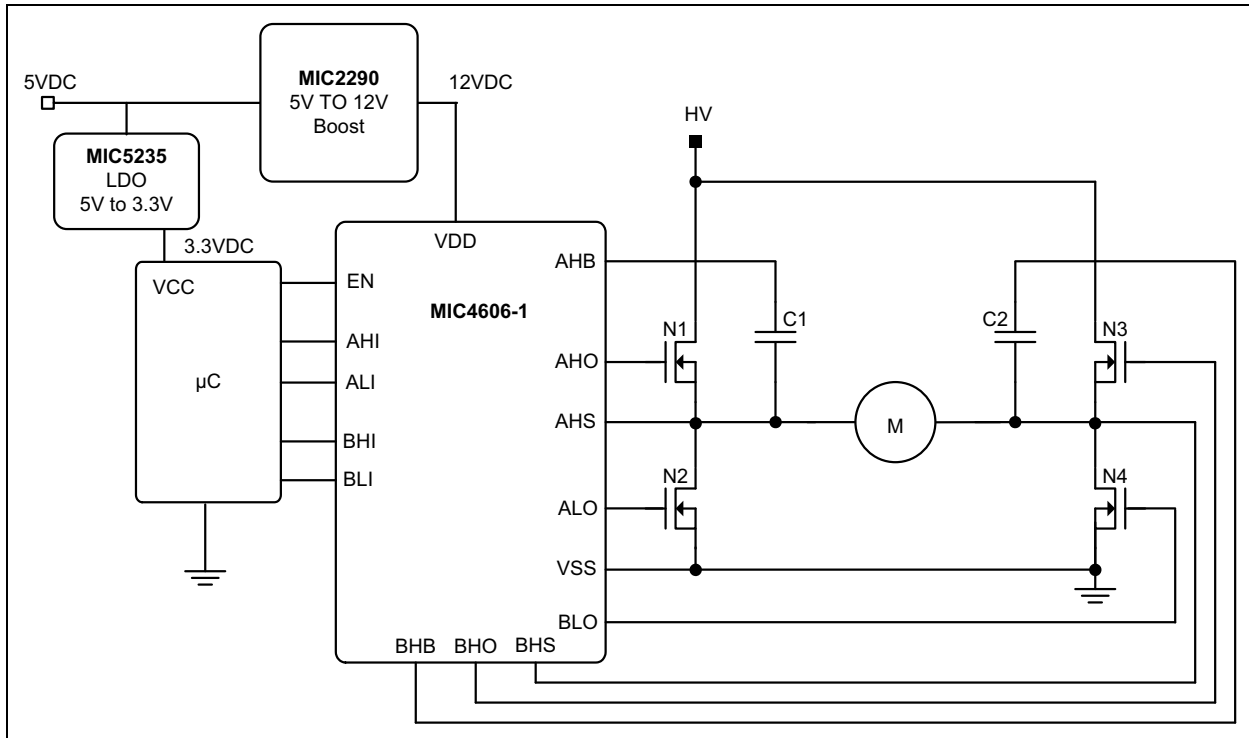
The MIC4606 is offered in a small 4 mm x 4 mm QFN 16-lead package for applications that are space constrained. The motor trend is to put the motor control circuit inside the motor casing, which requires small packaging because of the size of the motor.

The MIC4606 offers low UVLO threshold and programmable gate drive, which allows for longer operation time in battery operated motors such as power hand tools.

# MIC4606



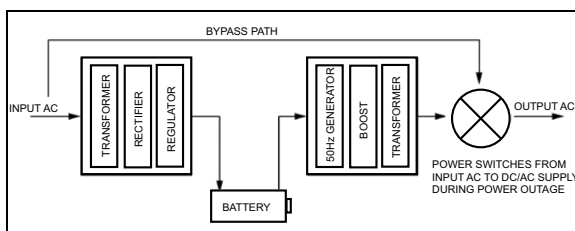
**FIGURE 7-9:** Stepper Motor Driver.



**FIGURE 7-10:** Full-Bridge DC Motor.

## 7.12 Power Inverter

Power inverters are used to supply AC loads from a DC operated battery system, mainly during power failure. The battery voltage can be 12 VDC, 24 VDC, or up to 36 VDC, depending on the power requirements. There are two popular conversion methods, Type I and Type II, that convert the battery energy to AC line voltage (110 VAC or 230 VAC).



**FIGURE 7-11:** Type I Inverter Topology.

As shown in Figure 7-11, Type I is a dual-stage topology where line voltage is converted to DC through a transformer to charge the storage batteries. When a power failure is detected, the stored DC energy is converted to AC through another transformer to drive the AC loads connected to the inverter output. This method is simplest to design but tends to be bulky and expensive because it uses two transformers.

Type II is a single-stage topology that uses only one transformer to charge the bank of batteries to store the energy. During a power outage, the same transformer

is used to power the line voltage. The Type II topology switches at a higher frequency compared to the Type I topology to maintain a small transformer size.

Both types use a full bridge topology to invert DC to AC. The MIC4606's operating voltage offers enough of a margin to address all of the available banks of batteries commonly used in inverter applications. The 85V operating voltage allows designers to increase the bank of batteries up to 72V, if desired. The MIC4606 can sink as much as 1A, which is sufficient to drive the MOSFET's gate capacitance while switching the MOSFET up to 50 kHz. This makes the MIC4606 an ideal solution for single phase inverter applications.

## 7.13 Grounding, Component Placement and Circuit Layout

Nanosecond switching speeds and ampere peak currents in and around the MIC4606 driver require proper placement and trace routing of all components. Improper placement may cause degraded noise immunity, false switching, excessive ringing, or circuit latch-up.

Figure 7-12 shows the critical current paths of the high and low-side driver when their outputs go high and turn on the external MOSFETs. It also helps demonstrate the need for a low impedance ground plane. Charge needed to turn-on the MOSFET gates comes from the decoupling capacitors  $C_{VDD}$  and  $C_B$ . Current in the low-side gate driver flows from  $C_{VDD}$  through the internal driver, into the MOSFET gate, and out the

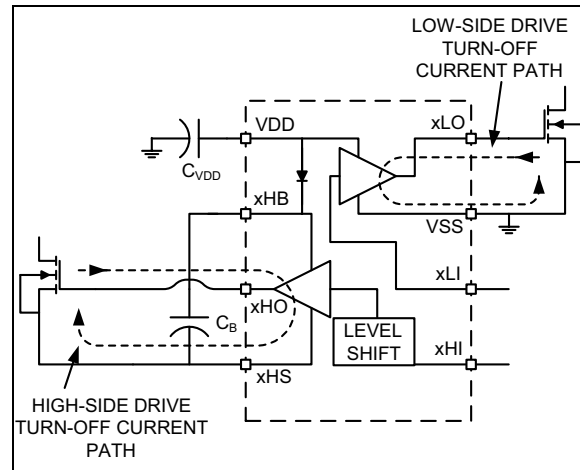
# MIC4606

source. The return connection back to the decoupling capacitor is made through the ground plane. Any inductance or resistance in the ground return path causes a voltage spike or ringing to appear on the source of the MOSFET. This voltage works against the gate drive voltage and can either slow down or turn off the MOSFET during the period when it should be turned on.

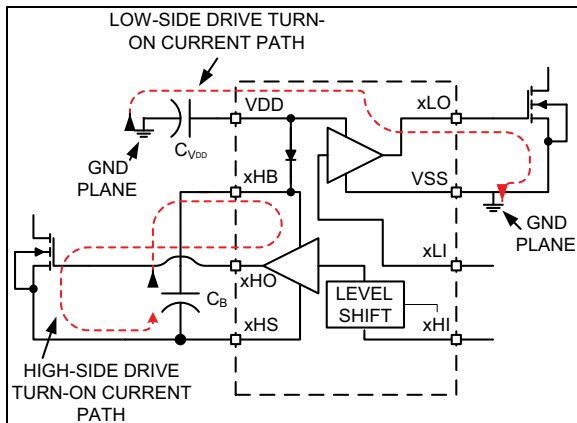
Current in the high-side driver is sourced from capacitor  $C_B$  and flows into the xHB pin and out the xHO pin, into the gate of the high side MOSFET. The return path for the current is from the source of the MOSFET and back to capacitor  $C_B$ . The high-side circuit return path usually does not have a low-impedance ground plane so the etch connections in this critical path should be short and wide to minimize parasitic inductance. As with the low-side circuit, impedance between the MOSFET source and the decoupling capacitor causes negative voltage feedback that fights the turn-on of the MOSFET.

It is important to note that capacitor  $C_B$  must be placed close to the xHB and xHS pins. This capacitor not only provides all the energy for turn-on but it must also keep xHB pin noise and ripple low for proper operation of the high-side drive circuitry.

Figure 7-13 shows the critical current paths when the driver outputs go low and turn off the external MOSFETs. Short, low-impedance connections are important during turn-off for the same reasons given in the turn-on explanation. Current flowing through the internal diode replenishes charge in the bootstrap capacitor,  $C_B$ .



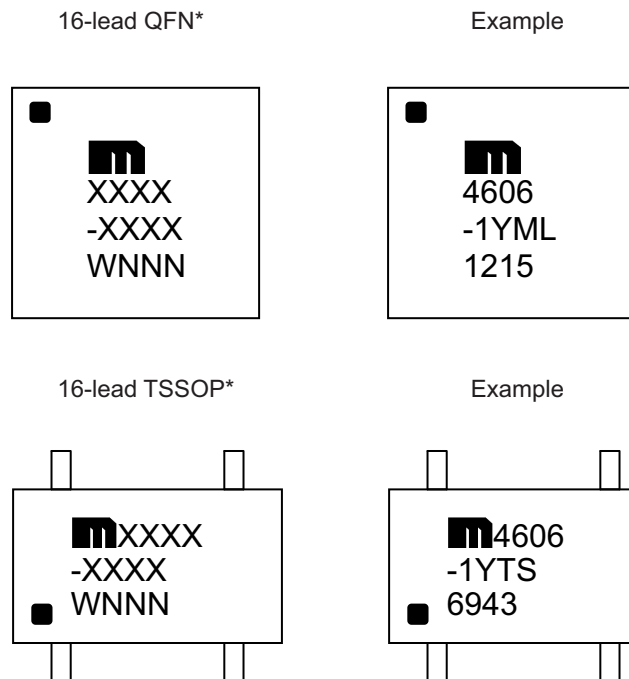
**FIGURE 7-13:** Turn-Off Current Paths.



**FIGURE 7-12:** Turn-On Current Paths.

## 8.0 PACKAGING INFORMATION

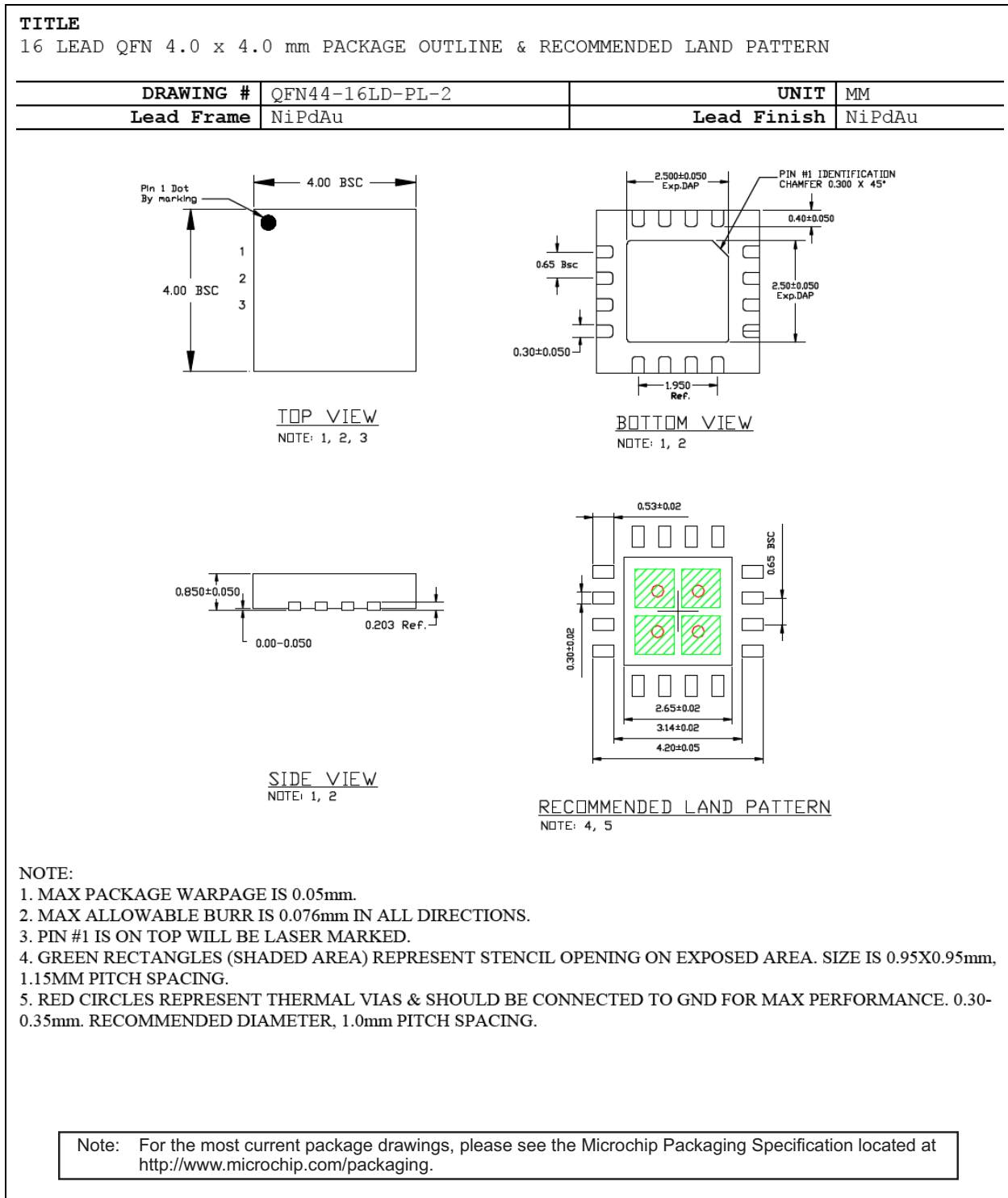
### 8.1 Package Marking Information



<b>Legend:</b>	XX...X	Product code or customer-specific information
	Y	Year code (last digit of calendar year)
	YY	Year code (last 2 digits of calendar year)
	WW	Week code (week of January 1 is week '01')
	NNN	Alphanumeric traceability code
	(e3)	Pb-free JEDEC® designator for Matte Tin (Sn)
	*	This package is Pb-free. The Pb-free JEDEC designator (e3) can be found on the outer packaging for this package.
	•, ▲, ▼	Pin one index is identified by a dot, delta up, or delta down (triangle mark).
<b>Note:</b>	In the event the full Microchip part number cannot be marked on one line, it will be carried over to the next line, thus limiting the number of available characters for customer-specific information. Package may or may not include the corporate logo.	
	Underbar (¯) and/or Overbar (¯) symbol may not be to scale.	

# MIC4606

## 16-Lead QFN 4 mm x 4 mm Package Outline and Recommended Land Pattern



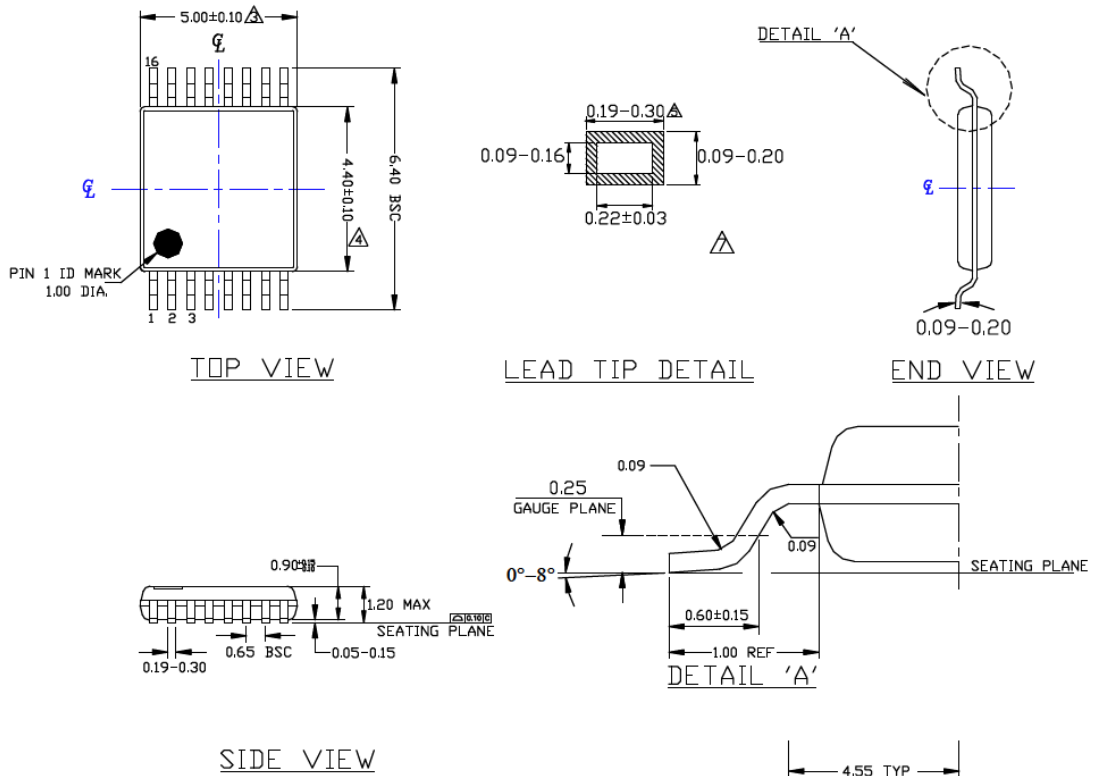


## 16-Lead TSSOP Package Outline and Recommended Land Pattern

**TITLE**

16 LEAD TSSOP PACKAGE OUTLINE & RECOMMENDED LAND PATTERN

DRAWING #	TSSOP-16LD-PL-1	UNIT	MM
-----------	-----------------	------	----



**Notes :**

1. ALL DIMENSIONS ARE IN MILLIMETERS (ANGLES IN DEGREES).
  2. DIMENSIONING AND TOLERANCING PER ANSI Y14.5M-1994.
- △ DIMENSION DOES NOT INCLUDE MOLD FLASH, PROTRUSIONS OR GATE BURRS.
  - △ DIMENSION DOES NOT INCLUDE INTERNAL FLASH OR PROTRUSION.
  - △ DIMENSION DOES NOT INCLUDE DAMBAR PROTRUSION.
  - △ CROSS SECTION TO BE DETERMINED AT 0.10 TO 0.25MM FROM THE LEAD TIP.

Note: For the most current package drawings, please see the Microchip Packaging Specification located at <http://www.microchip.com/packaging>.

# MIC4606

---

NOTES:

## APPENDIX A: REVISION HISTORY

### Revision A (February 2017)

- Converted Micrel document MIC4606 to Microchip data sheet template DS20005604A.
- Minor text changes throughout.

### Revision B (January 2018)

- Replaced [Figure 7-5](#) with the correct image.

# MIC4606

---

NOTES:

## PRODUCT IDENTIFICATION SYSTEM

To order or obtain information, e.g., on pricing or delivery, contact your local Microchip representative or sales office.

<u>PART NO.</u>	<u>-X</u>	<u>X</u>	<u>XX</u>	-	<u>XX</u>	<b>Examples:</b>	
Device	Input Option	Junction Temperature Range	Package		Media Type		
<b>Device:</b>	MIC4606:	85V Full-Bridge MOSFET Drivers with Adaptive Dead Time and Shoot-Through Protection					a) MIC4606-1YML: 85V Full-Bridge MOSFET Driver with Adaptive Dead Time and Shoot-Through Protection, Dual Inputs, -40°C to +125°C Junction Temperature Range, 16-Pin QFN, 75/Tube
<b>Input Option:</b>	-1 = -2 =	Dual inputs Single PWM input					b) MIC4606-1YML-T5: 85V Full-Bridge MOSFET Driver with Adaptive Dead Time and Shoot-Through Protection, Dual Inputs, -40°C to +125°C Junction Temperature Range, 16-Pin QFN, 500/Reel
<b>Junction Temperature Range:</b>	Y =	-40°C to +125°C (RoHS Compliant)					c) MIC4606-1YML-TR: 85V Full-Bridge MOSFET Drivers with Adaptive Dead Time and Shoot-Through Protection, Dual Inputs, -40°C to +125°C Junction Temperature Range, 16-Pin TSSOP, 5000/Reel
<b>Package:</b>	ML = TS =	16-Lead QFN 16-Lead TSSOP					d) MIC4606-1YTS-T5: 85V Full-Bridge MOSFET Driver with Adaptive Dead Time and Shoot-Through Protection, Dual Inputs, -40°C to +125°C Junction Temperature Range, 16-Pin TSSOP, 500/Reel
<b>Media Type</b>	T5 = TR = = 2500/Reel TSSOP (TS) Package <blank>=	500/Reel 5000/Reel QFN (ML) Package 2500/Reel TSSOP (TS) Package 75/Tube QFN (-1YML) Package					e) MIC4606-1YTS-TR: 85V Full-Bridge MOSFET Driver with Adaptive Dead Time and Shoot-Through Protection, Dual Inputs, -40°C to +125°C Junction Temperature Range, 16-Pin TSSOP, 2500/Reel
						f) MIC4606-2YML-T5: 85V Full-Bridge MOSFET Driver with Adaptive Dead Time and Shoot-Through Protection, Dual Inputs, -40°C to +125°C Junction Temperature Range, 16-Pin QFN, 500/Reel	
						g) MIC4606-2YML-TR: 85V Full-Bridge MOSFET Driver with Adaptive Dead Time and Shoot-Through Protection, Single PWM Input, -40°C to +125°C Junction Temperature Range, 16-Pin QFN, 500/Reel.	

# MIC4606

---

NOTES:

---

**Note the following details of the code protection feature on Microchip devices:**

- Microchip products meet the specification contained in their particular Microchip Data Sheet.
- Microchip believes that its family of products is one of the most secure families of its kind on the market today, when used in the intended manner and under normal conditions.
- There are dishonest and possibly illegal methods used to breach the code protection feature. All of these methods, to our knowledge, require using the Microchip products in a manner outside the operating specifications contained in Microchip's Data Sheets. Most likely, the person doing so is engaged in theft of intellectual property.
- Microchip is willing to work with the customer who is concerned about the integrity of their code.
- Neither Microchip nor any other semiconductor manufacturer can guarantee the security of their code. Code protection does not mean that we are guaranteeing the product as “unbreakable.”

Code protection is constantly evolving. We at Microchip are committed to continuously improving the code protection features of our products. Attempts to break Microchip's code protection feature may be a violation of the Digital Millennium Copyright Act. If such acts allow unauthorized access to your software or other copyrighted work, you may have a right to sue for relief under that Act.

---

Information contained in this publication regarding device applications and the like is provided only for your convenience and may be superseded by updates. It is your responsibility to ensure that your application meets with your specifications. MICROCHIP MAKES NO REPRESENTATIONS OR WARRANTIES OF ANY KIND WHETHER EXPRESS OR IMPLIED, WRITTEN OR ORAL, STATUTORY OR OTHERWISE, RELATED TO THE INFORMATION, INCLUDING BUT NOT LIMITED TO ITS CONDITION, QUALITY, PERFORMANCE, MERCHANTABILITY OR FITNESS FOR PURPOSE. Microchip disclaims all liability arising from this information and its use. Use of Microchip devices in life support and/or safety applications is entirely at the buyer's risk, and the buyer agrees to defend, indemnify and hold harmless Microchip from any and all damages, claims, suits, or expenses resulting from such use. No licenses are conveyed, implicitly or otherwise, under any Microchip intellectual property rights unless otherwise stated.

*Microchip received ISO/TS-16949:2009 certification for its worldwide headquarters, design and wafer fabrication facilities in Chandler and Tempe, Arizona; Gresham, Oregon and design centers in California and India. The Company's quality system processes and procedures are for its PIC® MCUs and dsPIC® DSCs, KEELoQ® code hopping devices, Serial EEPROMs, microperipherals, nonvolatile memory and analog products. In addition, Microchip's quality system for the design and manufacture of development systems is ISO 9001:2000 certified.*

**QUALITY MANAGEMENT SYSTEM  
CERTIFIED BY DNV  
= ISO/TS 16949 =**

### Trademarks

The Microchip name and logo, the Microchip logo, AnyRate, AVR, AVR logo, AVR Freaks, BeaconThings, BitCloud, CryptoMemory, CryptoRF, dsPIC, FlashFlex, flexPWR, Heldo, JukeBlox, KEELoQ, KEELoQ logo, Kleer, LANCheck, LINK MD, maXStylus, maXTouch, MediaLB, megaAVR, MOST, MOST logo, MPLAB, OptoLyzer, PIC, picoPower, PICSTART, PIC32 logo, Prochip Designer, QTouch, RightTouch, SAM-BA, SpyNIC, SST, SST Logo, SuperFlash, tinyAVR, UNI/O, and XMEGA are registered trademarks of Microchip Technology Incorporated in the U.S.A. and other countries.

ClockWorks, The Embedded Control Solutions Company, EtherSynch, Hyper Speed Control, HyperLight Load, IntelliMOS, mTouch, Precision Edge, and Quiet-Wire are registered trademarks of Microchip Technology Incorporated in the U.S.A.

Adjacent Key Suppression, AKS, Analog-for-the-Digital Age, Any Capacitor, AnyIn, AnyOut, BodyCom, chipKIT, chipKIT logo, CodeGuard, CryptoAuthentication, CryptoCompanion, CryptoController, dsPICDEM, dsPICDEM.net, Dynamic Average Matching, DAM, ECAN, EtherGREEN, In-Circuit Serial Programming, ICSP, Inter-Chip Connectivity, JitterBlocker, KleerNet, KleerNet logo, Mindi, MiWi, motorBench, MPASM, MPF, MPLAB Certified logo, MPLIB, MPLINK, MultiTRAK, NetDetach, Omniscient Code Generation, PICDEM, PICDEM.net, PICKit, PICtail, PureSilicon, QMatrix, RightTouch logo, REAL ICE, Ripple Blocker, SAM-ICE, Serial Quad I/O, SMART-I.S., SQI, SuperSwitcher, SuperSwitcher II, Total Endurance, TSHARC, USBCheck, VariSense, ViewSpan, WiperLock, Wireless DNA, and ZENA are trademarks of Microchip Technology Incorporated in the U.S.A. and other countries.

SQTP is a service mark of Microchip Technology Incorporated in the U.S.A.

Silicon Storage Technology is a registered trademark of Microchip Technology Inc. in other countries.

GestIC is a registered trademark of Microchip Technology Germany II GmbH & Co. KG, a subsidiary of Microchip Technology Inc., in other countries.

All other trademarks mentioned herein are property of their respective companies.

© 2018, Microchip Technology Incorporated, All Rights Reserved.  
ISBN: 978-1-5224-2518-2



# MICROCHIP

## Worldwide Sales and Service

### AMERICAS

**Corporate Office**  
2355 West Chandler Blvd.  
Chandler, AZ 85224-6199  
Tel: 480-792-7200  
Fax: 480-792-7277  
Technical Support:  
<http://www.microchip.com/support>  
Web Address:  
[www.microchip.com](http://www.microchip.com)

#### Atlanta

Duluth, GA  
Tel: 678-957-9614  
Fax: 678-957-1455

#### Austin, TX

Tel: 512-257-3370

#### Boston

Westborough, MA  
Tel: 774-760-0087  
Fax: 774-760-0088

#### Chicago

Itasca, IL  
Tel: 630-285-0071  
Fax: 630-285-0075

#### Dallas

Addison, TX  
Tel: 972-818-7423  
Fax: 972-818-2924

#### Detroit

Novi, MI  
Tel: 248-848-4000

#### Houston, TX

Tel: 281-894-5983

#### Indianapolis

Noblesville, IN  
Tel: 317-773-8323  
Fax: 317-773-5453  
Tel: 317-536-2380

#### Los Angeles

Mission Viejo, CA  
Tel: 949-462-9523  
Fax: 949-462-9608  
Tel: 951-273-7800

#### Raleigh, NC

Tel: 919-844-7510

#### New York, NY

Tel: 631-435-6000

#### San Jose, CA

Tel: 408-735-9110  
Tel: 408-436-4270

#### Canada - Toronto

Tel: 905-695-1980  
Fax: 905-695-2078

### ASIA/PACIFIC

**Australia - Sydney**  
Tel: 61-2-9868-6733

**China - Beijing**  
Tel: 86-10-8569-7000

**China - Chengdu**  
Tel: 86-28-8665-5511

**China - Chongqing**  
Tel: 86-23-8980-9588

**China - Dongguan**  
Tel: 86-769-8702-9880

**China - Guangzhou**  
Tel: 86-20-8755-8029

**China - Hangzhou**  
Tel: 86-571-8792-8115

**China - Hong Kong SAR**  
Tel: 852-2943-5100

**China - Nanjing**  
Tel: 86-25-8473-2460

**China - Qingdao**  
Tel: 86-532-8502-7355

**China - Shanghai**  
Tel: 86-21-3326-8000

**China - Shenyang**  
Tel: 86-24-2334-2829

**China - Shenzhen**  
Tel: 86-755-8864-2200

**China - Suzhou**  
Tel: 86-186-6233-1526

**China - Wuhan**  
Tel: 86-27-5980-5300

**China - Xian**  
Tel: 86-29-8833-7252

**China - Xiamen**  
Tel: 86-592-2388138

**China - Zhuhai**  
Tel: 86-756-3210040

### ASIA/PACIFIC

**India - Bangalore**  
Tel: 91-80-3090-4444

**India - New Delhi**  
Tel: 91-11-4160-8631

**India - Pune**  
Tel: 91-20-4121-0141

**Japan - Osaka**  
Tel: 81-6-6152-7160

**Japan - Tokyo**  
Tel: 81-3-6880-3770

**Korea - Daegu**  
Tel: 82-53-744-4301

**Korea - Seoul**  
Tel: 82-2-554-7200

**Malaysia - Kuala Lumpur**  
Tel: 60-3-7651-7906

**Malaysia - Penang**  
Tel: 60-4-227-8870

**Philippines - Manila**  
Tel: 63-2-634-9065

**Singapore**  
Tel: 65-6334-8870

**Taiwan - Hsin Chu**  
Tel: 886-3-577-8366

**Taiwan - Kaohsiung**  
Tel: 886-7-213-7830

**Taiwan - Taipei**  
Tel: 886-2-2508-8600

**Thailand - Bangkok**  
Tel: 66-2-694-1351

**Vietnam - Ho Chi Minh**  
Tel: 84-28-5448-2100

### EUROPE

**Austria - Wels**  
Tel: 43-7242-2244-39  
Fax: 43-7242-2244-393

**Denmark - Copenhagen**  
Tel: 45-4450-2828  
Fax: 45-4485-2829

**Finland - Espoo**  
Tel: 358-9-4520-820

**France - Paris**  
Tel: 33-1-69-53-63-20  
Fax: 33-1-69-30-90-79

**Germany - Garching**  
Tel: 49-8931-9700

**Germany - Haan**  
Tel: 49-2129-3766400

**Germany - Heilbronn**  
Tel: 49-7131-67-3636

**Germany - Karlsruhe**  
Tel: 49-721-625370

**Germany - Munich**  
Tel: 49-89-627-144-0  
Fax: 49-89-627-144-44

**Germany - Rosenheim**  
Tel: 49-8031-354-560

**Israel - Ra'anana**  
Tel: 972-9-744-7705

**Italy - Milan**  
Tel: 39-0331-742611  
Fax: 39-0331-466781

**Italy - Padova**  
Tel: 39-049-7625286

**Netherlands - Drunen**  
Tel: 31-416-690399  
Fax: 31-416-690340

**Norway - Trondheim**  
Tel: 47-7289-7561

**Poland - Warsaw**  
Tel: 48-22-3325737

**Romania - Bucharest**  
Tel: 40-21-407-87-50

**Spain - Madrid**  
Tel: 34-91-708-08-90  
Fax: 34-91-708-08-91

**Sweden - Gothenberg**  
Tel: 46-31-704-60-40

**Sweden - Stockholm**  
Tel: 46-8-5090-4654

**UK - Wokingham**  
Tel: 44-118-921-5800  
Fax: 44-118-921-5820



## X-ON Electronics

Largest Supplier of Electrical and Electronic Components

*Click to view similar products for [Gate Drivers](#) category:*

*Click to view products by [Microchip](#) manufacturer:*

Other Similar products are found below :

[00053P0231](#) [8967380000](#) [56956](#) [CR7E-30DB-3.96E\(72\)](#) [57.404.7355.5](#) [LT4936](#) [57.904.0755.0](#) [5803-0901](#) [58410](#) [5882900001](#) [00600P0005](#)  
[00-9050-LRPP](#) [00-9090-RDPP](#) [5951900000](#) [01-1003W-10/32-15](#) [LTLA6E-1S-WH-RC-FN12VXCR1](#) [0131700000](#) [00-2240](#) [LTP70N06](#)  
[LVP640](#) [0158-624-00](#) [5J0-1000LG-SIL](#) [020017-13](#) [LY1D-2-5S-AC120](#) [LY2-0-US-AC120](#) [LY2-US-AC240](#) [LY3-UA-DC24](#) [00-5150](#)  
[00576P0020](#) [00600P0010](#) [LZNQ2M-US-DC5](#) [LZNQ2-US-DC12](#) [LZP40N10](#) [00-8196-RDPP](#) [00-8274-RDPP](#) [00-8275-RDNP](#) [00-8609-](#)  
[RDPP](#) [00-8722-RDPP](#) [00-8728-WHPP](#) [00-8869-RDPP](#) [00-9051-RDPP](#) [00-9091-LRPP](#) [00-9291-RDPP](#) [0207100000](#) [0207400000](#) [60100564](#)  
[01312](#) [0134220000](#) [6035](#) [M15730061](#)