

85V, Three-Phase MOSFET Driver with Adaptive Dead-Time, Anti-Shoot-Through and Overcurrent Protection

Features

- Gate Drive Supply Voltage up to 16V
- Overcurrent Protection
- Drives High-Side and Low-Side N-Channel MOSFETs with Independent Inputs or With a Single PWM Signal
- TTL Input Thresholds
- On-Chip Bootstrap Diodes
- Fast 35 ns Propagation Times
- Shoot-Through Protection
- Drives 1000 pF Load with 20 ns Rise and Fall Times
- Low Power Consumption
- Supply Undervoltage Protection
- -40°C to $+125^{\circ}\text{C}$ Junction Temperature Range

Applications

- Three-Phase and BLDC Motor Drives
- Three-Phase Inverters

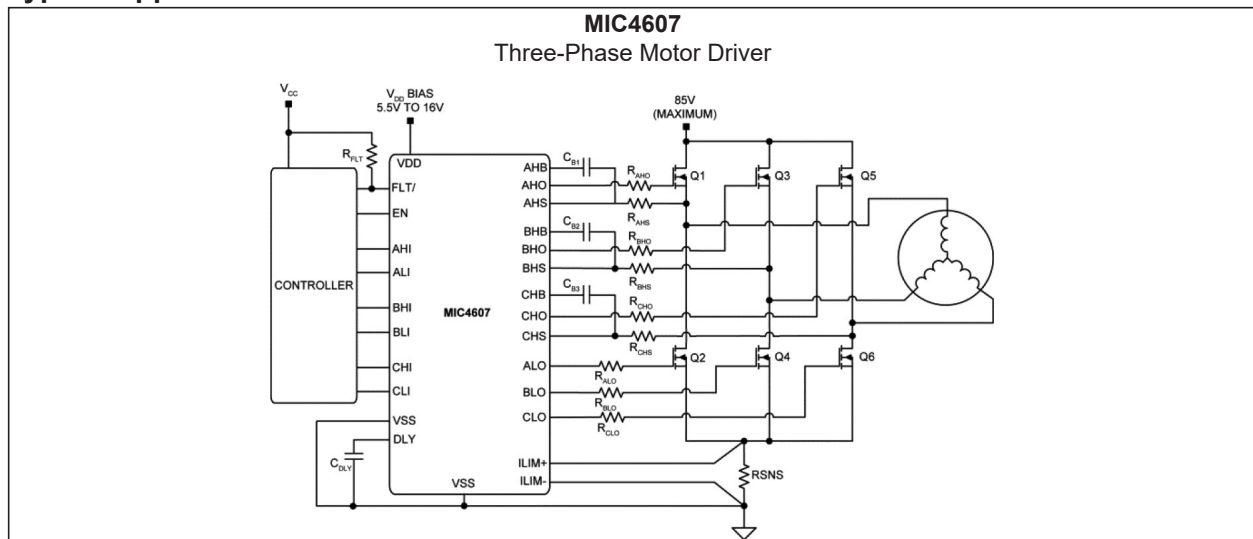
General Description

The MIC4607 is an 85V, three-phase MOSFET driver. The MIC4607 features a fast (35 ns) propagation delay time and a 20 ns driver rise/fall time for a 1 nF capacitive load. TTL inputs can be separate high- and low-side signals or a single PWM input with high and low drive generated internally. High- and low-side outputs are guaranteed to not overlap in either mode. The MIC4607 includes overcurrent protection as well as a high-voltage internal diode that charges the high-side gate drive bootstrap capacitor.

A robust, high-speed, and low-power level shifter provides clean level transitions to the high-side output. The robust operation of the MIC4607 ensures that the outputs are not affected by supply glitches, HS ringing below ground, or HS slewing with high-speed voltage transitions. Undervoltage protection is provided on both the low-side and high-side drivers.

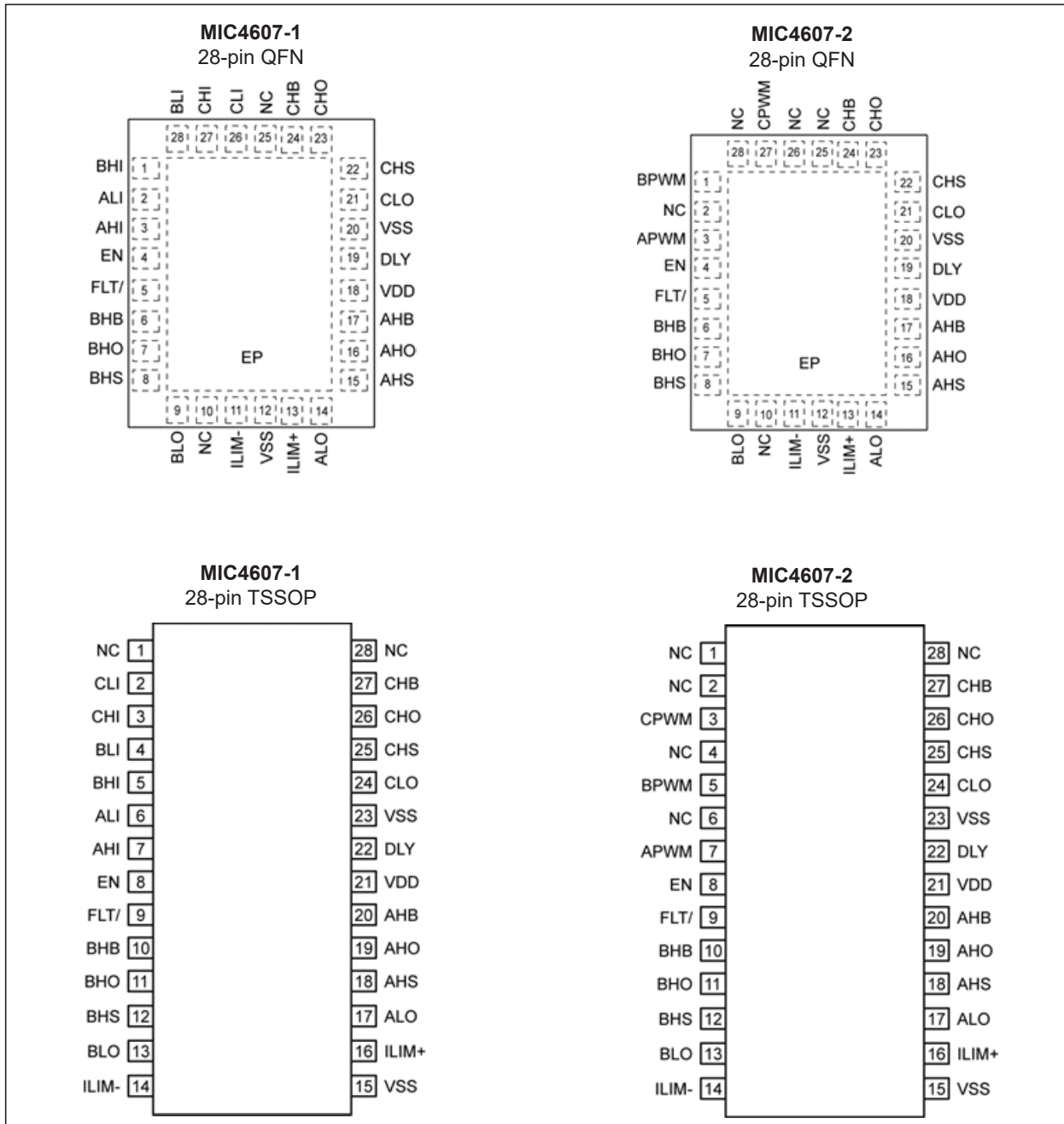
The MIC4607 is available in both a 28-pin 4 mm x 5 mm QFN and 28-pin TSSOP package with an operating junction temperature range of -40°C to $+125^{\circ}\text{C}$.

Typical Application Circuit

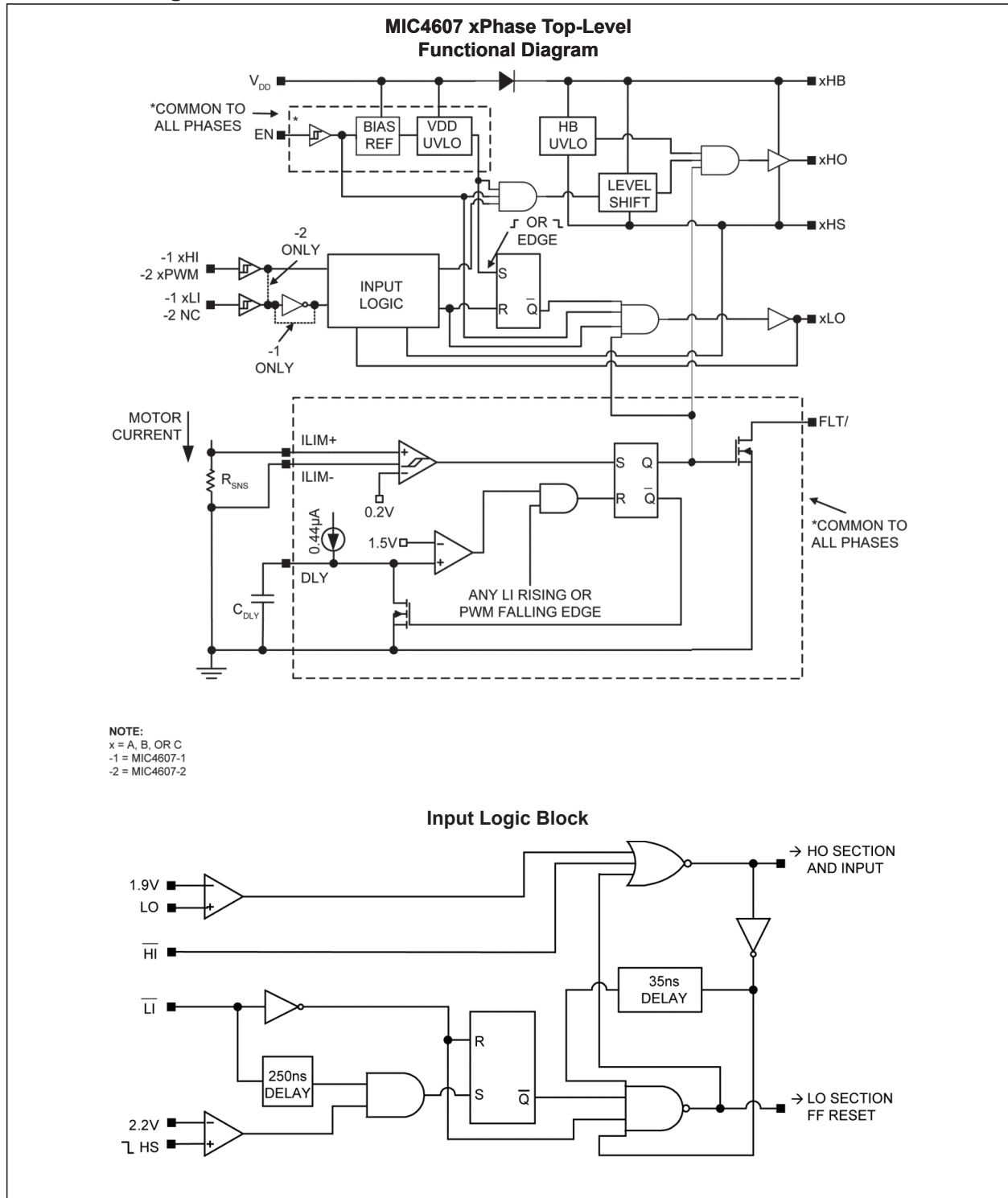


MIC4607

Package Type



Functional Diagram



MIC4607

1.0 ELECTRICAL CHARACTERISTICS

Absolute Maximum Ratings †, (Note 2)

Supply Voltage (V_{DD} , $V_{xHB} - V_{xHS}$).....	-0.3V to 18V
Input Voltages (V_{xLI} , V_{xHI} , V_{xPWM} , V_{EN}).....	-0.3V to $V_{DD} + 0.3V$
FLT/ Pin	-0.3V to $V_{DD} + 0.3V$
DLY Pin	-0.3V to 18V
Voltage on xLO (V_{xLO}).....	-0.3V to $V_{DD} + 0.3V$
Voltage on xHO (V_{xHO})	$V_{HS} - 0.3V$ to $V_{HB} + 0.3V$
Voltage on xHS (Continuous).....	-0.3V to 90V
Voltage on xHB	108V
ILIM+	-0.3V to +5V
ILIM-.....	-0.3V to +2V
Average Current in V_{DD} to HB Diode	100 mA
ESD Protection on All Pins (Note 1):	
HBM	1 kV
MM	200V
CDM.....	200V

Operational Characteristics ††, (Note 2)

Supply Voltage (V_{DD}), [decreasing V_{DD}]	5.25V to 16V
Supply Voltage (V_{DD}), [increasing V_{DD}]	5.5V to 16V
Voltage on xHS	-0.3V to 85V
Voltage on xHS (repetitive transient <100 ns).....	-0.7V to 90V
HS Slew Rate	50 V/ns
Voltage on xHB	$V_{HS} + 5.5V$ to $V_{HS} + 16V$
and/or	$V_{DD} - 1V$ to $V_{DD} + 85V$

† Notice: Exceeding the absolute maximum ratings may damage the device.

†† Notice: The device is not guaranteed to function outside its operating ratings.

Note 1: Devices are ESD sensitive. Handling precautions are recommended. Human body model, 1.5 k Ω in series with 100 pF.

2: An "x" in front of a pin name refers to either A, B or C phase. (e.g. xHI can be either AHI, BHI or CHI).

DC CHARACTERISTICS (Note 1, 2)

Electrical Characteristics: Unless otherwise indicated, $V_{DD} = V_{xHB} = 12V$; $V_{EN} = 5V$; $V_{SS} = V_{HS} = 0V$; No load on xLO or xHO; $T_A = 25^\circ C$; unless noted. **Bold** values indicate $-40^\circ C < T_J < +125^\circ C$.

Parameters	Symbol	Min.	Typ.	Max.	Units	Conditions
Supply Current						
V_{DD} Quiescent Current	I_{DD}	—	390	750	μA	xLI = xHI = 0V
V_{DD} Shutdown Current	I_{DDSH}	—	2.2	10	μA	xLI = xHI = 0V; EN = 0V with HS = floating
		—	58	150		xLI = xHI = 0V; EN = 0V; HS = 0V
V_{DD} Operating Current	I_{DDO}	—	0.6	1.5	mA	f = 20 kHz
Per Channel xHB Quiescent Current	I_{HB}	—	20	75	μA	xLI = xHI = 0V or xLI = 0V and xHI = 5V
Per Channel xHB Operating Current	I_{HBO}	—	30	400	μA	f = 20 kHz
xHB to V_{SS} Current, Quiescent	I_{HBS}	—	0.05	5	μA	$V_{xHS} = V_{xHB} = 90V$
xHB to V_{SS} Current, Operating	I_{HBSO}	—	30	300	μA	f = 20 kHz
Input (TTL: xLI, xHI, xPWM, EN) (Note 3)						
Low-Level Input Voltage	V_{IL}	—	—	0.8	V	—
High-Level Input Voltage	V_{IH}	2.2	—	—	V	—
Input Voltage Hysteresis	V_{HYS}	—	0.1	—	V	—
Input Pull-Down Resistance	R_I	100	300	500	k Ω	xLI and xHI Inputs (-1 Version)
		50	130	250		xPWM Input (-2 Version)
Undervoltage Protection						
V_{DD} Falling Threshold	V_{DDF}	3.8	4.4	4.9	V	—
V_{DD} Threshold Hysteresis	V_{DDH}	—	0.25	—	V	—
xHB Falling Threshold	V_{HBF}	4.0	4.4	4.9	V	—
xHB Threshold Hysteresis	V_{HBH}	—	0.25	—	V	—
Overcurrent Protection						
Rising Overcurrent Threshold	V_{ILIM+}	175	200	225	mV	$(V_{ILIM+} - V_{ILIM-})$
ILIM to Gate Propagation Delay	t_{ILIM_PROP}	—	70	—	ns	$V_{ILIM+} = 0.5V$ peak
Fault Circuit						
FLT/ Output Low Voltage	V_{OLF}	—	0.2	0.5	V	$V_{ILIM} = 1V$; $I_{FLT/} = 1$ mA
Rising DLY Threshold	V_{DLY+}	—	1.5	—	V	—
DLY Current Source	I_{DLY}	0.3	0.44	0.6	μA	$V_{DLY} = 0V$
Fault Clear Time	t_{FCL}	—	670	—	μs	$C_{DLY} = 1$ nF
Bootstrap Diode						
Low-Current Forward Voltage	V_{DL}	—	0.4	0.70	V	$I_{VDD-xHB} = 100$ μA
High-Current Forward Voltage	V_{DH}	—	0.8	1	V	$I_{VDD-xHB} = 50$ mA

Note 1: "x" in front of a pin name refers to either A, B or C phase. (e.g. xHI can be either AHI, BHI or CHI).

2: Specification for packaged product only.

3: $V_{IL(MAX)}$ = maximum positive voltage applied to the input which will be accepted by the device as a logic low.

$V_{IH(MIN)}$ = minimum positive voltage applied to the input which will be accepted by the device as a logic high.

4: Guaranteed by design. Not production tested.

MIC4607

DC CHARACTERISTICS (Note 1, 2) (CONTINUED)

Electrical Characteristics: Unless otherwise indicated, $V_{DD} = V_{xHB} = 12V$; $V_{EN} = 5V$; $V_{SS} = V_{HS} = 0V$; No load on xLO or xHO; $T_A = 25^\circ C$; unless noted. **Bold** values indicate $-40^\circ C < T_J < +125^\circ C$.

Parameters	Symbol	Min.	Typ.	Max.	Units	Conditions
Dynamic Resistance	R_D	—	4	6	V	—
xLO Gate Driver						
Low-Level Output Voltage	V_{OLL}	—	0.3	0.6	V	$I_{xLO} = 50 \text{ mA}$
High-Level Output Voltage	V_{OHL}	—	0.5	1	V	$I_{xLO} = -50 \text{ mA}$, $V_{OHL} = V_{DD} - V_{xLO}$
Peak Sink Current	I_{OHL}	—	1	—	A	$V_{xLO} = 0V$
Peak Source Current	I_{OLL}	—	1	—	A	$V_{xLO} = 12V$
xHO Gate Driver						
Low-Level Output Voltage	V_{OLH}	—	0.3	0.6	V	$I_{xHO} = 50 \text{ mA}$
High-Level Output Voltage	V_{OHH}	—	0.5	1	V	$I_{xHO} = -50 \text{ mA}$, $V_{OHH} = V_{xHB} - V_{xHO}$
Peak Sink Current	I_{OHH}	—	1	—	A	$V_{xHO} = 0V$
Peak Source Current	I_{OLH}	—	1	—	A	$V_{xHO} = 12V$
Switching Specifications (LI/HI mode with inputs non-overlapping, assumes HS low before LI goes high and LO low before HI goes high).						
Lower Turn-Off Propagation Delay (LI Falling to LO Falling)	t_{LPHL}	—	35	75	ns	—
Upper Turn-Off Propagation Delay (HI Falling to HO Falling)	t_{HPHL}	—	35	75	ns	—
Lower Turn-On Propagation Delay (LI Rising to LO Rising)	t_{LPLH}	—	35	75	ns	—
Upper Turn-On Propagation Delay (HI Rising to HO Rising)	t_{HPLH}	—	35	75	ns	—
Output Rise/Fall Time	$t_{R/F}$	—	20	—	ns	$C_L = 1000 \text{ pF}$
Output Rise/Fall Time (3V to 9V)	$t_{R/F}$	—	0.8	—	μs	$C_L = 0.1 \text{ }\mu F$
Minimum Input Pulse Width that Changes the Output	t_{PW}	—	50	—	ns	Note 4
Switching Specifications PWM Mode (MIC4607-2) or LI/HI mode (MIC4607-1) with Overlapping LI/HI Inputs						
Delay from PWM Going High / LI Low, to LO Going Low	t_{LLOFF}	—	35	75	ns	—
LO Output Voltage Threshold for LO FET to be Considered Off	V_{LLOFF}	—	1.9	—	V	—
Delay from LO Off to HO Going High	t_{HOON}	—	35	75	ns	—
Delay from PWM or HI Going Low to HO Going Low	t_{HOOFF}	—	35	75	ns	—

Note 1: "x" in front of a pin name refers to either A, B or C phase. (e.g. xHI can be either AHI, BHI or CHI).

2: Specification for packaged product only.

3: $V_{IL(MAX)}$ = maximum positive voltage applied to the input which will be accepted by the device as a logic low.

$V_{IH(MIN)}$ = minimum positive voltage applied to the input which will be accepted by the device as a logic high.

4: Guaranteed by design. Not production tested.

DC CHARACTERISTICS (Note 1, 2) (CONTINUED)

Electrical Characteristics: Unless otherwise indicated, $V_{DD} = V_{xHB} = 12V$; $V_{EN} = 5V$; $V_{SS} = V_{HS} = 0V$; No load on xLO or xHO; $T_A = 25^\circ C$; unless noted. **Bold** values indicate $-40^\circ C < T_J < +125^\circ C$.

Parameters	Symbol	Min.	Typ.	Max.	Units	Conditions
Switch Node Voltage Threshold Signaling HO is Off	V_{SWTH}	1	2.2	4	V	—
Delay between HO FET Being Considered Off to LO Turning On	t_{LOON}	—	35	75	ns	—
Forced xLO On if V_{SWTH} is Not Detected	t_{SWTO}	100	250	500	ns	—

Note 1: “x” in front of a pin name refers to either A, B or C phase. (e.g. xHI can be either AHI, BHI or CHI).

2: Specification for packaged product only.

3: $V_{IL(MAX)}$ = maximum positive voltage applied to the input which will be accepted by the device as a logic low.
 $V_{IH(MIN)}$ = minimum positive voltage applied to the input which will be accepted by the device as a logic high.

4: Guaranteed by design. Not production tested.

TEMPERATURE SPECIFICATIONS

Electrical Specifications: Unless otherwise indicated, $T_A = +25^\circ C$, $V_{IN} = V_{EN} = 12V$, $V_{BOOST} - V_{SW} = 3.3V$, $V_{OUT} = 3.3V$

Parameters	Sym.	Min.	Typ.	Max.	Units	Conditions
Temperature Ranges						
Operating Junction Temperature Range	T_J	-40	—	+125	$^\circ C$	—
Operating Ambient Temperature Range	T_A	-40	—	+125	$^\circ C$	—
Lead Temperature	—	—	260	—	$^\circ C$	Soldering, 10s
Storage Temperature Range	T_S	-60	—	+150	$^\circ C$	—
Maximum Junction Temperature	T_J	—	—	+125	$^\circ C$	—
Package Thermal Resistances						
Thermal Resistance, 4 mm × 5 mm QFN-28L	θ_{JA}	—	43	—	$^\circ C/W$	—
Thermal Resistance, 4 mm × 5 mm QFN-28L	θ_{JC}	—	3.4	—	$^\circ C/W$	—
TSSOP-28L	θ_{JA}	—	70	—	$^\circ C/W$	—
TSSOP-28L	θ_{JC}	—	20	—	$^\circ C/W$	—

MIC4607

2.0 TYPICAL PERFORMANCE CURVES

Note: The graphs and tables provided following this note are a statistical summary based on a limited number of samples and are provided for informational purposes only. The performance characteristics listed herein are not tested or guaranteed. In some graphs or tables, the data presented may be outside the specified operating range (e.g., outside specified power supply range) and therefore outside the warranted range.

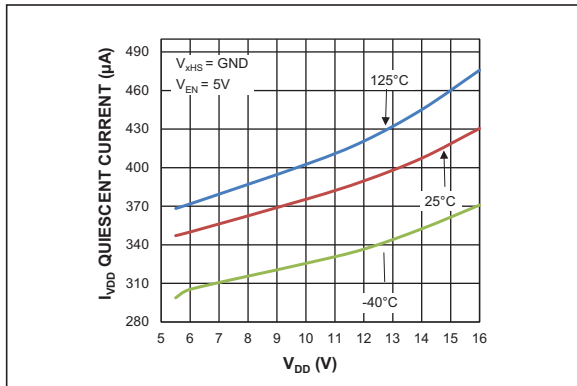


FIGURE 2-1: V_{DD} Quiescent Current vs. V_{DD} Voltage.

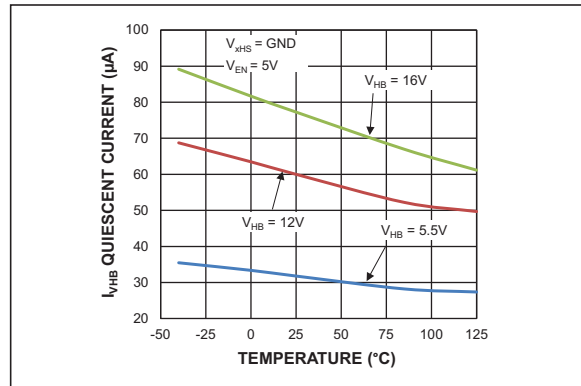


FIGURE 2-4: V_{HB} Quiescent Current (All Channels) vs Temperature.

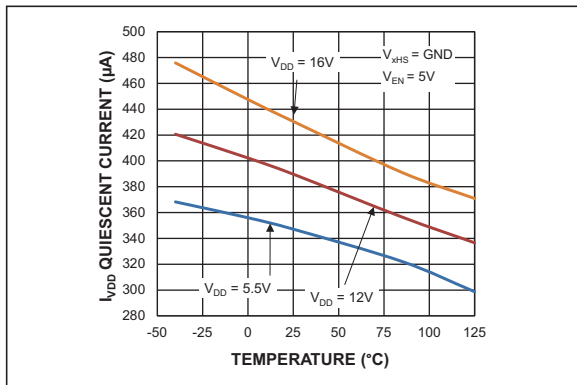


FIGURE 2-2: V_{DD} Quiescent Current vs. Temperature.

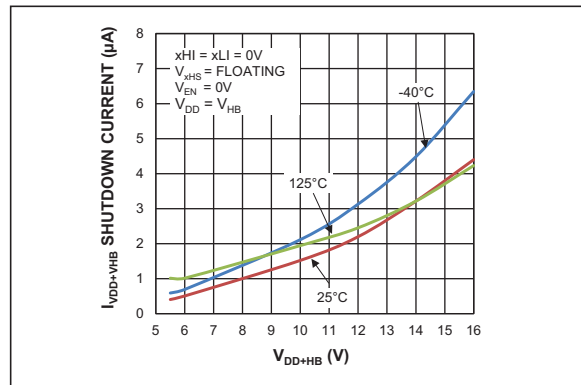


FIGURE 2-5: V_{DD+HB} Shutdown Current (Floating Switch Node) vs. Voltage.

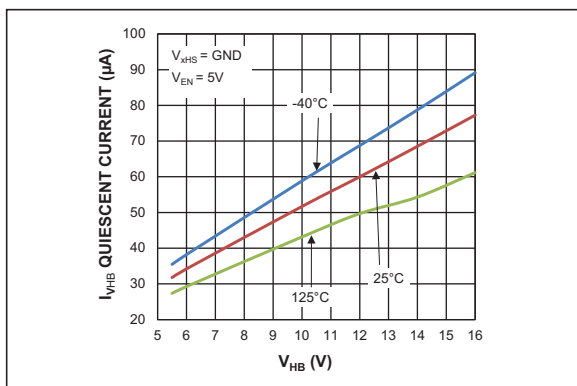


FIGURE 2-3: V_{HB} Quiescent Current (All Channels) vs. V_{HB} Voltage.

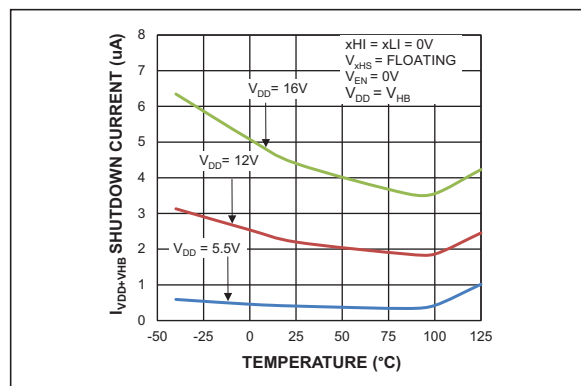


FIGURE 2-6: V_{DD+HB} Shutdown Current (Floating Switch Node) vs. Temperature.

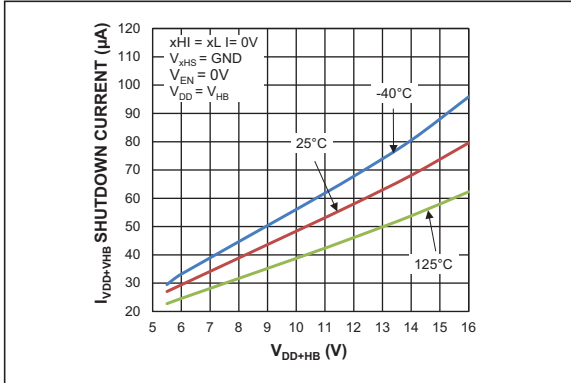


FIGURE 2-7: V_{DD+HB} Shutdown Current (Grounded Switch Node) vs. Voltage.

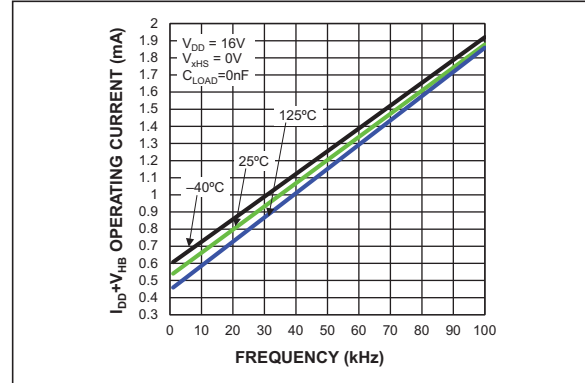


FIGURE 2-10: V_{DD+HB} Operating Current vs. Switching Frequency.

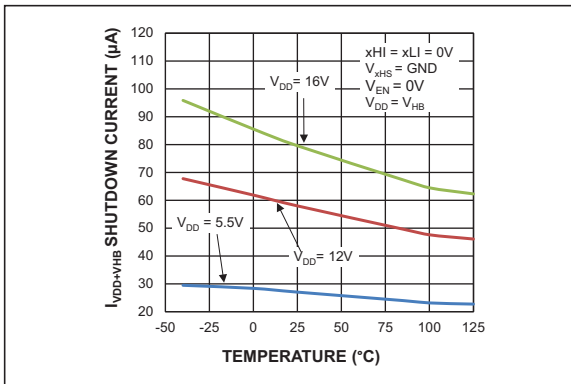


FIGURE 2-8: V_{DD+HB} Shutdown Current (Grounded Switch Node) vs. Temperature.

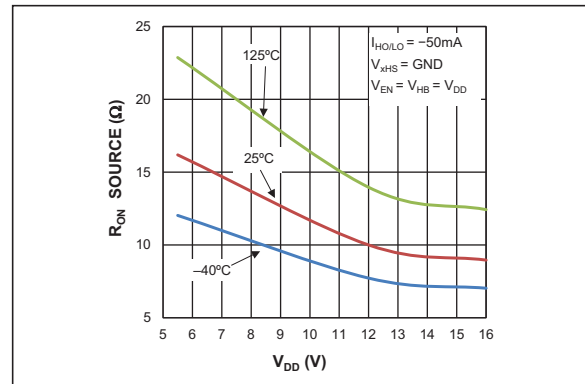


FIGURE 2-11: HO/LO Sink On-Resistance vs. V_{DD} .

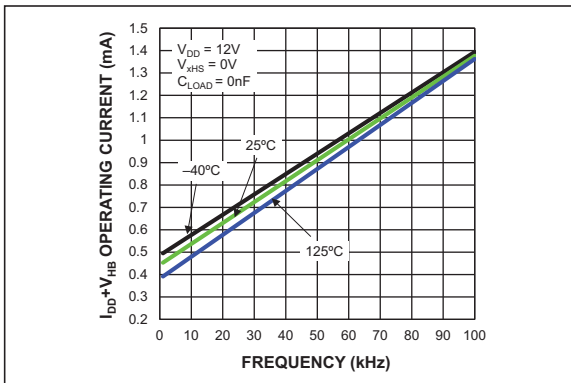


FIGURE 2-9: V_{DD+HB} Operating Current vs. Switching Frequency.

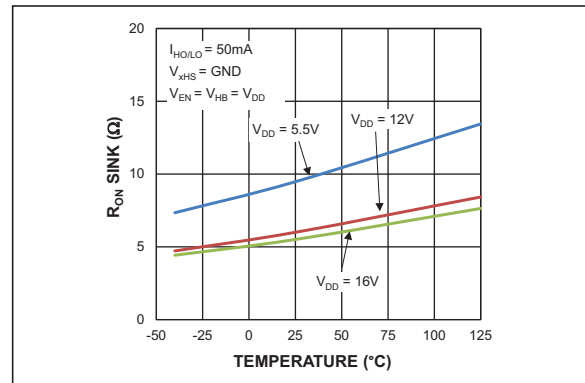


FIGURE 2-12: HO/LO Sink On-Resistance vs. Temperature.

MIC4607

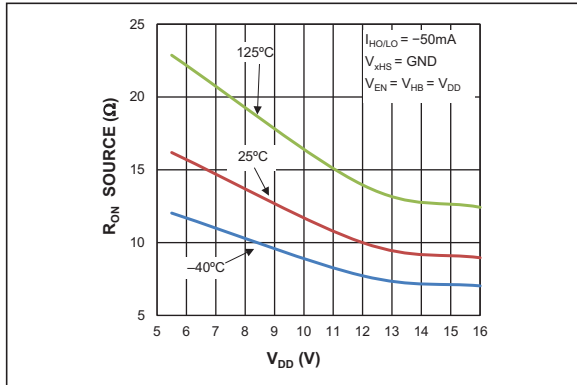


FIGURE 2-13: HO/LO Source On-Resistance vs. V_{DD} .

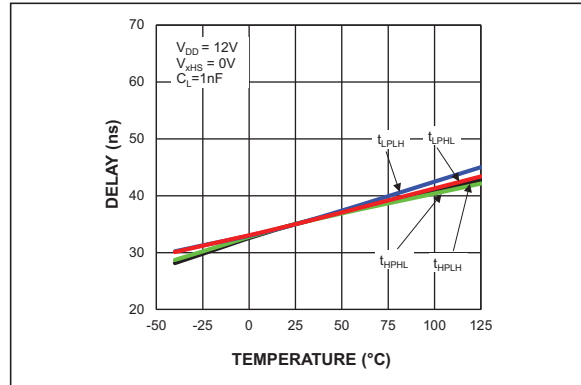


FIGURE 2-16: Propagation Delay (HI/LI Input) vs. Temperature.

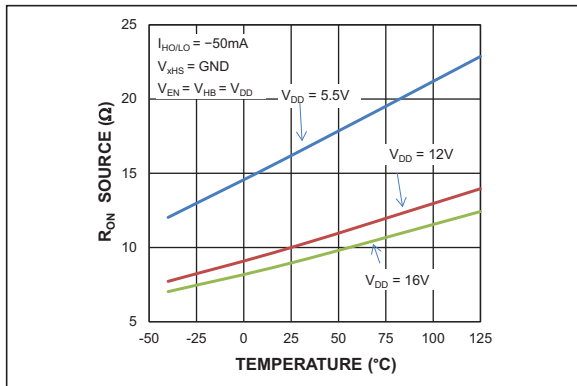


FIGURE 2-14: HO/LO Source On-Resistance vs. Temperature.

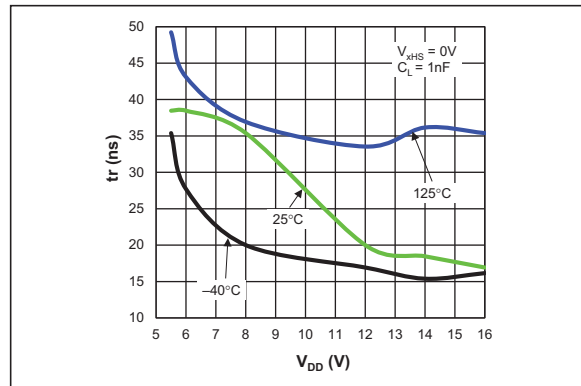


FIGURE 2-17: Output Rise Time vs. V_{DD} Voltage.

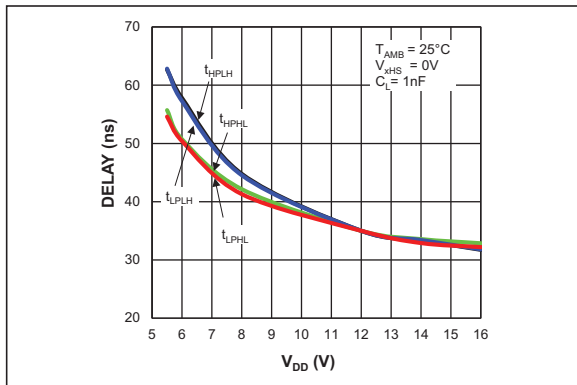


FIGURE 2-15: Propagation Delay (HI/LI Input) vs. V_{DD} Voltage.

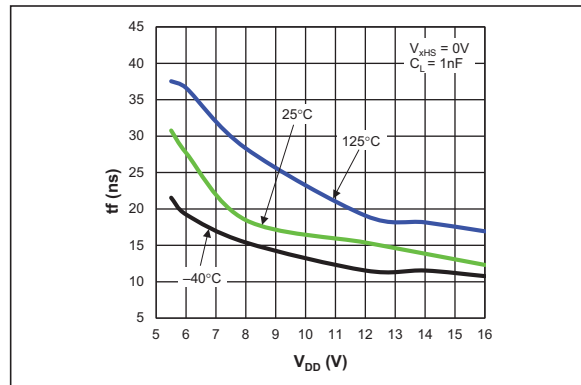


FIGURE 2-18: Output Fall Time vs. V_{DD} Voltage.

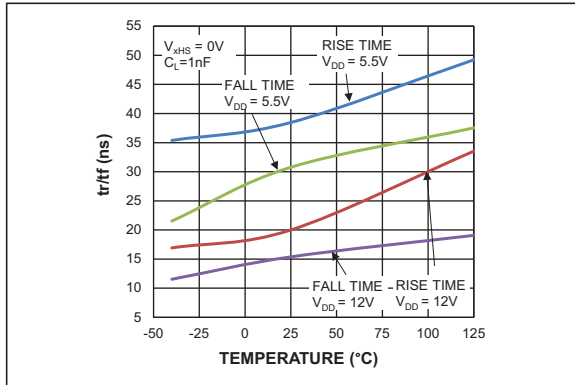


FIGURE 2-19: Rise/Fall Time vs. Temperature.

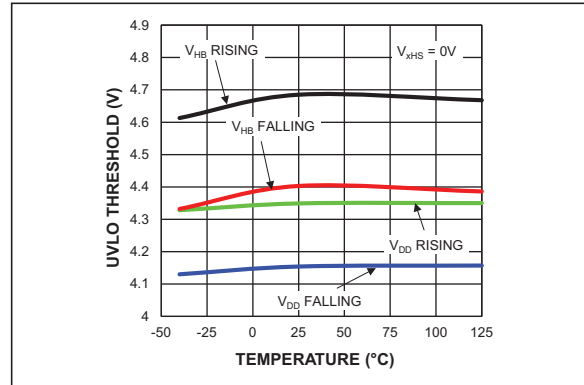


FIGURE 2-22: V_{DD}/V_{HB} UVLO vs. Temperature.

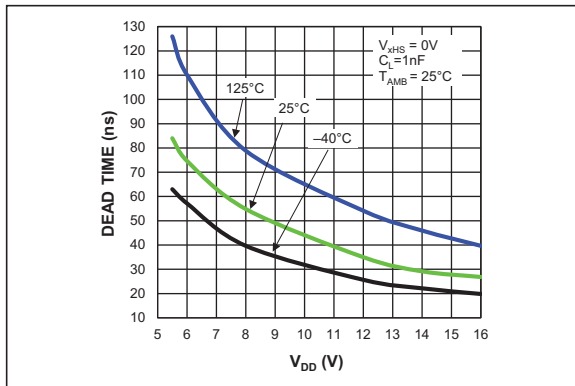


FIGURE 2-20: Dead Time vs. V_{DD} Voltage.

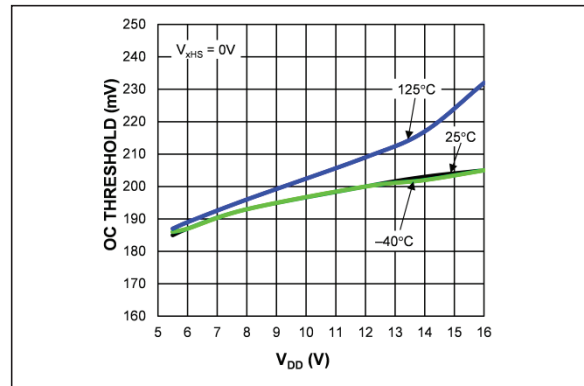


FIGURE 2-23: Overcurrent Threshold vs. V_{DD} Voltage.

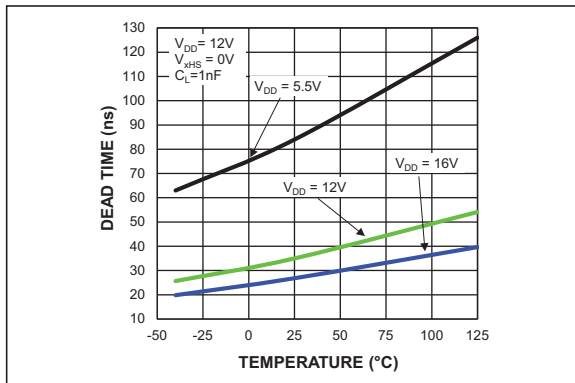


FIGURE 2-21: Dead Time vs. Temperature.

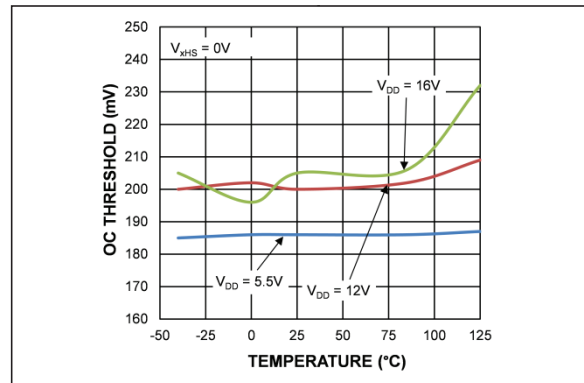


FIGURE 2-24: Overcurrent Threshold vs. Temperature.

MIC4607

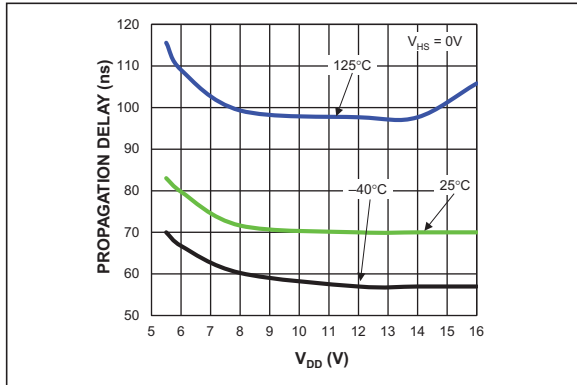


FIGURE 2-25: Overcurrent Propagation Delay vs. V_{DD} Voltage.

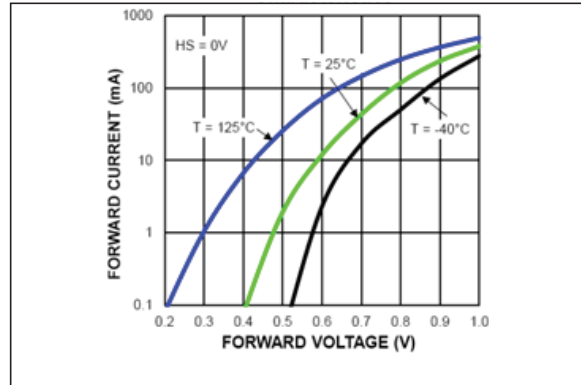


FIGURE 2-28: Bootstrap Diode I-V Characteristics.

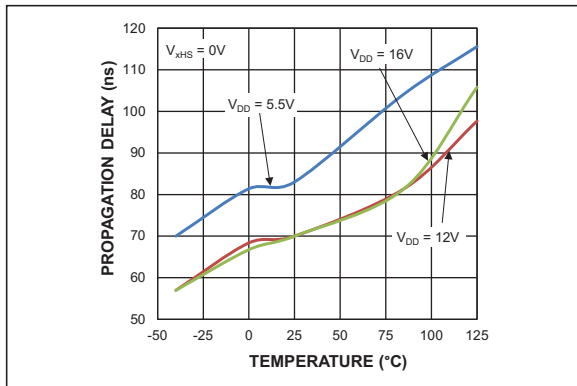


FIGURE 2-26: Overcurrent Propagation Delay vs. Temperature.

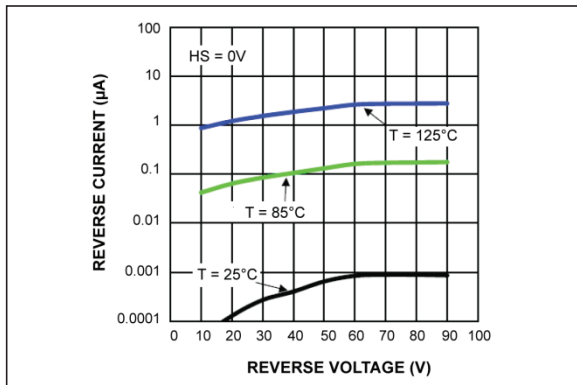


FIGURE 2-27: Bootstrap Diode Reverse Current.

3.0 PIN DESCRIPTIONS

The descriptions of the pins are listed in [Table 3-1](#) and [Table 3-2](#).

TABLE 3-1: QFN PIN FUNCTION TABLE

Pin Number QFN	Pin Name		Description
	MIC4607-1	MIC4607-2	
1	BHI	BPWM	High-side input (-1) or PWM input (-2) for Phase B.
2	ALI	NC	Low-side input (-1) or no connect (-2) for Phase A.
3	AHI	APWM	High-side input (-1) or PWM input (-2) for Phase A.
4	EN	EN	Active-high enable input. High input enables all outputs and initiates normal operation. Low input shuts down device into a low LQ mode.
5	FLT/	FLT/	Open-Drain. FLT/ pin goes low when outputs are latched off due to an overcurrent event. Must be pulled-up to an external voltage with a resistor.
6	BHB	BHB	Phase B High-Side Bootstrap Supply. An external bootstrap capacitor is required. Connect the bootstrap capacitor across this pin and BHS. An on-board bootstrap diode is connected from V_{DD} to BHB.
7	BHO	BHO	Phase B High-Side Drive Output. Connect to the gate of the external high-side power MOSFET.
8	BHS	BHS	Phase B High-Side Driver Return. Connect to the bootstrap capacitor and to a resistor that connect to the source of the external MOSFET. See the Applications section for additional information on the resistor.
9	BLO	BLO	Phase B Low-Side Drive Output. Connect to the gate of the low-side power MOSFET gate.
10	NC	NC	No Connect.
11	ILIM-	ILIM-	Differential Current-Limit Input. Connect to most negative end of the external current-sense resistor.
12	VSS	VSS	Power Ground for Phase A and Phase B.
13	ILIM+	ILIM+	Differential Current-Limit Input. Connect to most positive end of the external current-sense resistor.
14	ALO	ALO	Phase A Low-Side Drive Output. Connect to the gate of the low-side power MOSFET gate.
15	AHS	AHS	Phase A High-Side Driver Return. Connect to the bootstrap capacitor and to a resistor that connect to the source of the external MOSFET. See the Applications section for additional information on the resistor.
16	AHO	AHO	Phase A High Side Drive Output. Connect to the gate of the external high-side power MOSFET.
17	AHB	AHB	Phase A High-Side Bootstrap Supply. An external bootstrap capacitor is required. Connect the bootstrap capacitor across this pin and AHS. An on-board bootstrap diode is connected from V_{DD} to AHB.
18	VDD	VDD	Input Supply for Gate Drivers and Internal Logic/Control Circuitry. Decouple this pin to V_{SS} with a minimum 2.2 μ F ceramic capacitor.
19	DLY	DLY	Fault Delay. Connect an external capacitor from this pin to ground to increase the current-limit reset delay. Leave open for minimum delay. Do not externally drive this pin.
20	VSS	VSS	Phase C Power and Control Circuitry Ground.
21	CLO	CLO	Phase C Low-Side Drive Output. Connect to the gate of the low-side power MOSFET gate.
22	CHS	CHS	Phase C High-Side Driver Return. Connect to the bootstrap capacitor and to a resistor that connect to the source of the external MOSFET. See the Applications section for additional information on the resistor.

MIC4607

TABLE 3-1: QFN PIN FUNCTION TABLE (CONTINUED)

Pin Number QFN	Pin Name		Description
	MIC4607-1	MIC4607-2	
23	CHO	CHO	Phase C High-Side Drive Output. Connect to the gate of the external high-side power MOSFET.
24	CHB	CHB	Phase C High-Side Bootstrap Supply. An external bootstrap capacitor is required. Connect the bootstrap capacitor across this pin and CHS. An on-board bootstrap diode is connected from VDD to CHB.
25	NC	NC	No Connect.
26	CLI	NC	Low-Side Input (-1) or No Connect (-2) for Phase C.
27	CHI	CPWM	High-Side Input (-1) or PWM Input (-2) for Phase C.
28	BLI	NC	Low-Side Input (-1) or No Connect (-2) for Phase B.
EP	ePad	ePad	Exposed Heatsink Pad: Connect to GND for best thermal performance.

TABLE 3-2: TSSOP PIN FUNCTION TABLE

Pin Number TSSOP	Pin Name		Description
	MIC4607-1	MIC4607-2	
1	NC	NC	No Connect.
2	CLI	NC	Low-Side Input (-1) or No Connect (-2) for Phase C.
3	CHI	CPWM	High-Side Input (-1) or PWM Input (-2) for Phase C.
4	BLI	NC	Low-Side Input (-1) or No Connect (-2) for Phase B.
5	BHI	BPWM	High-side input (-1) or PWM input (-2) for Phase B.
6	ALI	NC	Low-side input (-1) or no connect (-2) for Phase A.
7	AHI	APWM	High-side input (-1) or PWM input (-2) for Phase A.
8	EN	EN	Active-high enable input. High input enables all outputs and initiates normal operation. Low input shuts down device into a low LQ mode.
9	FLT/	FLT/	Open-Drain. FLT/ pin goes low when outputs are latched off due to an overcurrent event. Must be pulled-up to an external voltage with a resistor.
10	BHB	BHB	Phase B High-Side Bootstrap Supply. An external bootstrap capacitor is required. Connect the bootstrap capacitor across this pin and BHS. An on-board bootstrap diode is connected from V _{DD} to BHB.
11	BHO	BHO	Phase B High-Side Drive Output. Connect to the gate of the external high-side power MOSFET.
12	BHS	BHS	Phase B High-Side Driver Return. Connect to the bootstrap capacitor and to a resistor that connect to the source of the external MOSFET. See the Applications section for additional information on the resistor.
13	BLO	BLO	Phase B Low-Side Drive Output. Connect to the gate of the low-side power MOSFET gate.
14	ILIM-	ILIM-	Differential Current-Limit Input. Connect to most negative end of the external current-sense resistor.
15	VSS	VSS	Power Ground for Phase A and Phase B.
16	ILIM+	ILIM+	Differential Current-Limit Input. Connect to most positive end of the external current-sense resistor.
17	ALO	ALO	Phase A Low-Side Drive Output. Connect to the gate of the low-side power MOSFET gate.

TABLE 3-2: TSSOP PIN FUNCTION TABLE (CONTINUED)

Pin Number TSSOP	Pin Name		Description
	MIC4607-1	MIC4607-2	
18	AHS	AHS	Phase A High-Side Driver Return. Connect to the bootstrap capacitor and to a resistor that connect to the source of the external MOSFET. See the Applications section for additional information on the resistor.
19	AHO	AHO	Phase A High Side Drive Output. Connect to the gate of the external high-side power MOSFET.
20	AHB	AHB	Phase A High-Side Bootstrap Supply. An external bootstrap capacitor is required. Connect the bootstrap capacitor across this pin and AHS. An on-board bootstrap diode is connected from V_{DD} to AHB.
21	VDD	VDD	Input Supply for Gate Drivers and Internal Logic/Control Circuitry. Decouple this pin to V_{SS} with a minimum 2.2 μ F ceramic capacitor.
22	DLY	DLY	Fault Delay. Connect an external capacitor from this pin to ground to increase the current-limit reset delay. Leave open for minimum delay. Do not externally drive this pin.
23	VSS	VSS	Phase C Power and Control Circuitry Ground.
24	CLO	CLO	Phase C Low-Side Drive Output. Connect to the gate of the low-side power MOSFET gate.
25	CHS	CHS	Phase C High-Side Driver Return. Connect to the bootstrap capacitor and to a resistor that connect to the source of the external MOSFET. See the Applications section for additional information on the resistor.
26	CHO	CHO	Phase C High-Side Drive Output. Connect to the gate of the external high-side power MOSFET.
27	CHB	CHB	Phase C High-Side Bootstrap Supply. An external bootstrap capacitor is required. Connect the bootstrap capacitor across this pin and CHS. An on-board bootstrap diode is connected from V_{DD} to CHB.
28	NC	NC	No Connect.

MIC4607

4.0 TIMING DIAGRAMS

4.1 Non-Overlapping LI/HI Input Mode (MIC4607-1)

In non-overlapping LI/HI input mode, enough delay is added between the xLI and xHI inputs to allow xHS to be low before xLI is pulled high and similarly xLO is low before xHI goes high.

xHO goes high with a high signal on xHI after a typical delay of 35 ns (t_{HPLH}). xHI going low drives xHO low also with typical delay of 35 ns (t_{HPLH}).

Likewise, xLI going high forces xLO high after typical delay of 35 ns (t_{LPLH}) and xLO follows low transition of xLI after typical delay of 35 ns (t_{LPHL}).

xHO and xLO output rise and fall times (t_R/t_F) are typically 20 ns driving 1000 pF capacitive loads.

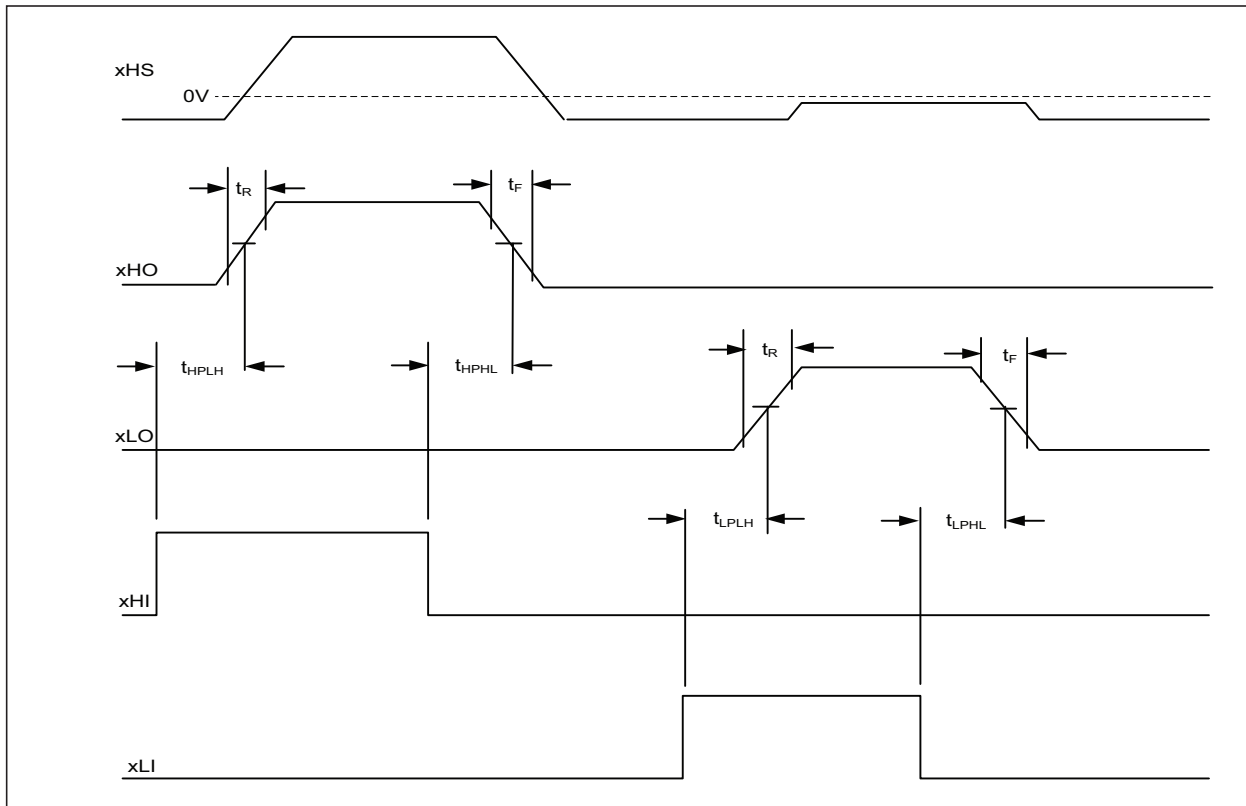


FIGURE 4-1: Separate Non-Overlapping LI/HI Input Mode (MIC4607-1).

Note 1: All propagation delays are measured from the 50% voltage level and rise/fall times are measured 10% to 90%.

2: "x" in front of a pin name refers to either A, B or C phase. (e.g. xHI can be either AHI, BHI or CHI).

4.2 Overlapping LI/HI Input Mode (MIC4607-1)

When xLI/xHI input high signals overlap, xLO/xHO output states are determined by the first output to be turned on. That is, if xLI goes high (ON), while xHO is high, xHO stays high until xHI goes low at which point, after a delay of t_{HOFF} and when $xHS < 2.2V$, xLO goes high with a delay of t_{LOON} . Should xHS never trip the aforementioned internal comparator reference (2.2V), a falling xHI edge delayed by a typical 250 ns will set

“HS latch” allowing xLO to go high.

If xHS falls very fast, xLO will be held low by a 35 ns delay gated by HI going low. Conversely, xHI going high (ON) when xLO is high has no effect on outputs until xLI is pulled low (off) and xLO falls to $< 1.9V$. Delay from xLI going low to xLO falling is t_{LOFF} and delay from $xLO < 1.9V$ to xHO being on is t_{HOON} .

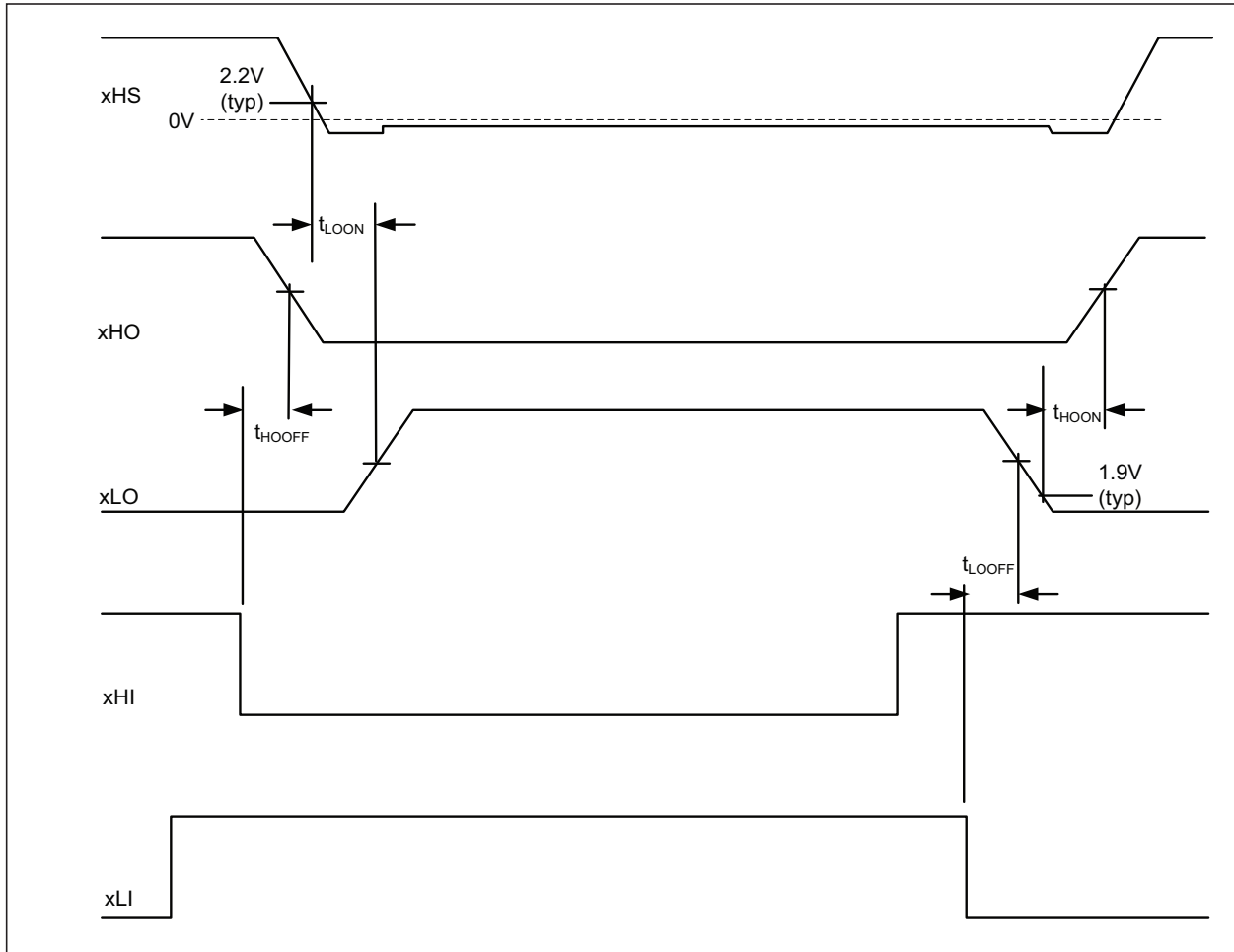


FIGURE 4-2: Separate Overlapping LI/HI Input Mode (MIC4607-1).

MIC4607

4.3 PWM Input Mode (MIC4607-2)

A low going xPWM signal applied to the MIC4607-2 causes xHO to go low, typically 35ns (t_{HOFF}) after the xPWM input goes low, at which point the switch node, xHS, falls (1-2).

When xHS reaches 2.2V (V_{SWTH}), the external high-side MOSFET is deemed off and xLO goes high, typically within 35 ns (t_{LOON}) (3-4). xHS falling below 2.2V sets a latch that can only be reset by xPWM going high. This design prevents ringing on xHS from causing an indeterminate xLO state. Should xHS never trip the aforementioned internal comparator reference (2.2V), a falling xPWM edge delayed by 250 ns will set "HS latch" allowing xLO to go high.

A 35 ns delay gated by xPWM going low can determine the time to xLO going high for fast falling HS designs. xPWM going high forces xLO low in typically 35ns (t_{LOOFF}) (5-6).

When xLO reaches 1.9V (V_{LOOFF}), the low-side MOSFET is deemed off and xHO is allowed to go high. The delay between these two points is typically 35 ns (t_{HOON}) (7-8).

xHO and xLO output rise and fall times (t_R/t_F) are typically 20 ns driving 1000 pF capacitive loads.

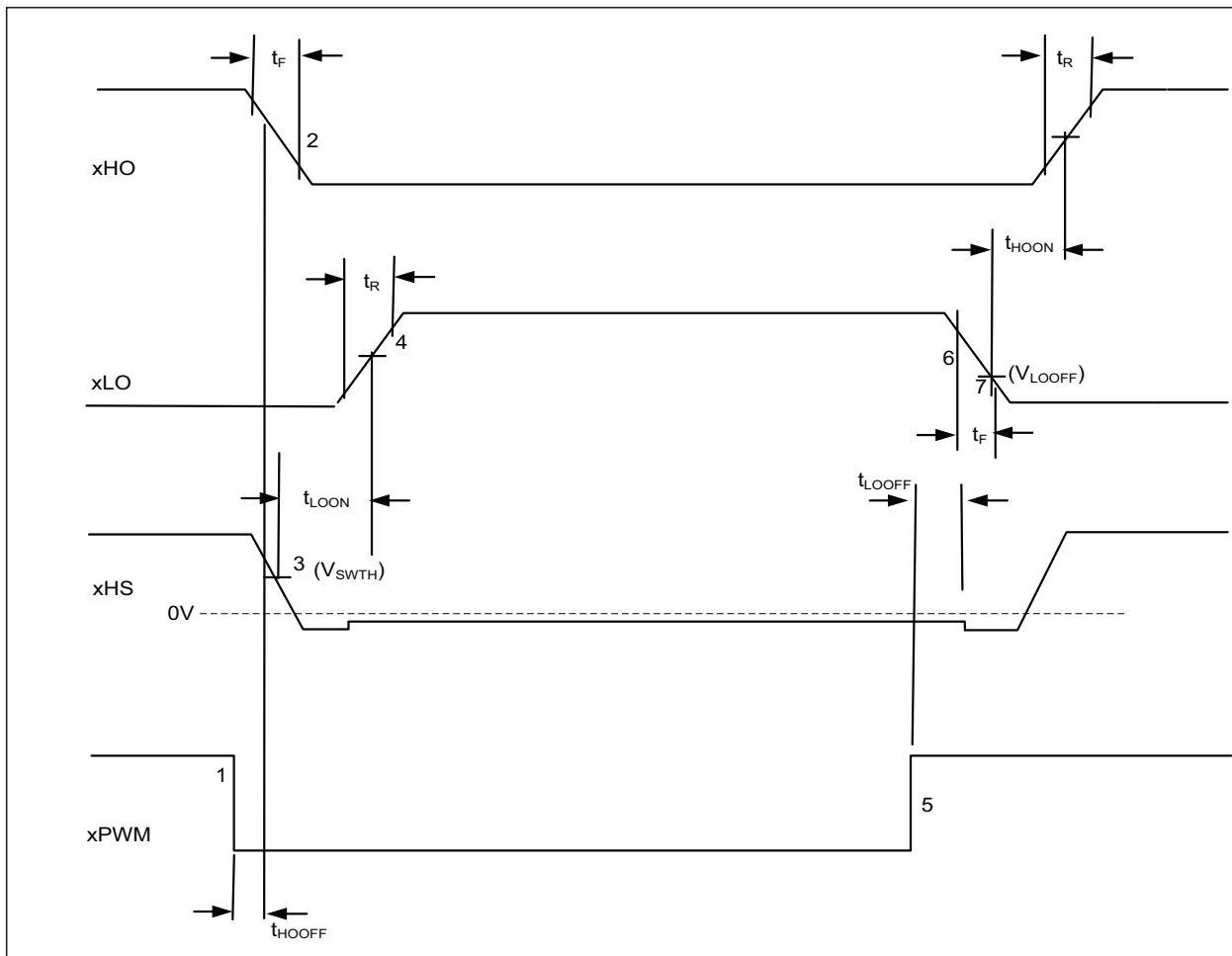


FIGURE 4-3: PWM Mode (MIC4607-2).

4.4 Overcurrent Timing Diagram

The motor current is sensed in an external resistor that is connected between the low-side MOSFET's source pins and ground. If the sense resistor voltage exceeds the rising overcurrent threshold (typically 0.2V), all LO and HO outputs are latched off and the FLT/ pin is pulled low. Once the outputs are latched off, an internal current source (typically 0.44 μ A) begins to charge up the external C_{DLY} capacitor. The outputs remain latched off and all xLI/xHI (or xPWM) input signals are ignored until the voltage on the C_{DLY} capacitor rises

above the V_{DLY+} threshold (typically 1.5V), which resets the latch on the first rising edge of any LI input of the MIC4607-1 (or falling edge on any PWM input for the MIC4607-2).

Once this occurs, the C_{DLY} capacitor is discharged, the FLT/ pin returns to a high impedance state and all outputs will respond to their respective input signals.

On startup, the current limit latch is reset during a rising V_{DD} or a rising EN pin voltage to assure normal operation.

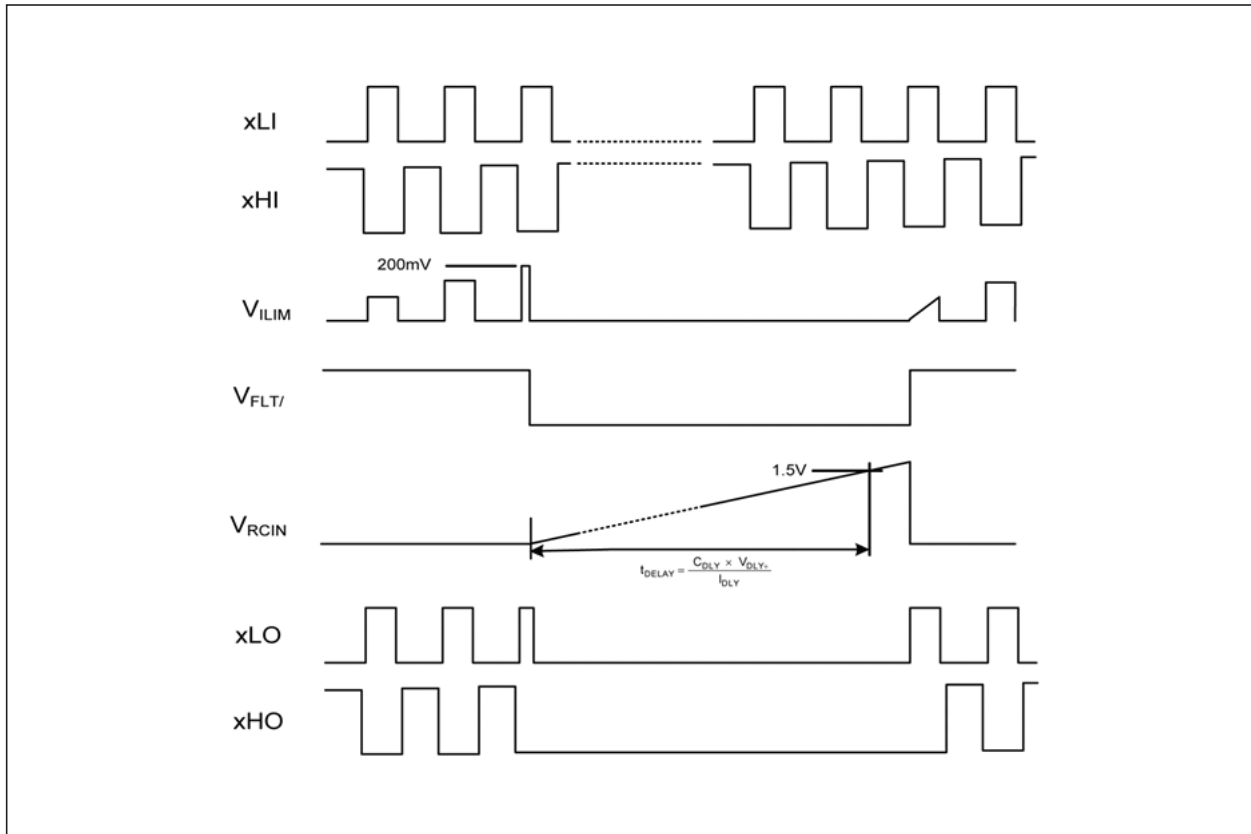


FIGURE 4-4: Overcurrent Timing Diagram.

MIC4607

5.0 FUNCTIONAL DESCRIPTION

The MIC4607 is a non-inverting, 85V three-phase MOSFET driver designed to independently drive all six N-Channel MOSFETs in a three-phase bridge. The MIC4607 offers a wide 5.5V to 16V V_{DD} operating supply range with either six independent TTL inputs (MIC4607-1) or three PWM inputs, one for each phase (MIC4607-2). Refer to the [Functional Diagram](#) section.

The drivers contain input buffers with hysteresis, four independent UVLO circuits (three high-side and one low-side), and six output drivers. The high-side output drivers utilize a high-speed level-shifting circuit that is referenced to its HS pin. Each phase has an internal diode that is used by the bootstrap circuits to provide the drive voltages for each of the three high-side outputs. A programmable overcurrent protection circuit turns off all outputs during an overcurrent fault.

5.1 Startup and UVLO

The UVLO circuits force the driver's outputs low until the supply voltage exceeds the UVLO threshold. The low-side UVLO circuit monitors the voltage between the V_{DD} and V_{SS} pins. The high-side UVLO circuits monitor the voltage between the xHB and xHS pins. Hysteresis in the UVLO circuits prevent system noise and finite circuit impedance from causing chatter during turn-on.

5.2 Enable Inputs

There is one external enable pin that controls all three phases. A logic high on the enable pin (EN) allows for startup of all phases and normal operation. Conversely, when a logic low is applied on the enable pin, all phases turn-off and the device enters a low current shutdown mode. All outputs (xHO and xLO) are pulled low when EN is low. Do not leave the EN pin floating.

5.3 Input Stage

All input pins (xLI and xHI) are referenced to the V_{SS} pin. The MIC4607 has a TTL-compatible input range and can be used with input signals with amplitude less than the supply voltage. The threshold level is independent of the V_{DD} supply voltage and there is no dependence between I_{VDD} and the input signal amplitude. This feature makes the MIC4607 an excellent level translator that will drive high level gate threshold MOSFETs from a low-voltage PWM IC.

5.4 Low-Side Driver

The low-side driver is designed to drive a ground (V_{SS} pin) referenced N-channel MOSFET. Low driver impedances allow the external MOSFET to be turned on and off quickly. The rail-to-rail drive capability of the output ensures a low $R_{DS(ON)}$ from the external power device. Refer to [Figure 5-1](#).

A high level applied to the xLI pin causes V_{DD} to be applied to the gate of the external MOSFET. A low level on the xLI pin grounds the gate of the external MOSFET.

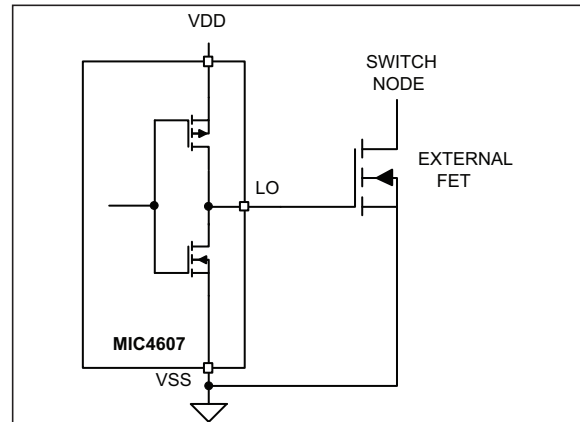


FIGURE 5-1: Low-Side Driver Block Diagram.

5.5 High-Side Driver and Bootstrap Circuit

[Figure 5-2](#) illustrates a block diagram of the high-side driver and bootstrap circuit. This driver is designed to drive a floating N-channel MOSFET, whose source terminal is referenced to the HS pin.

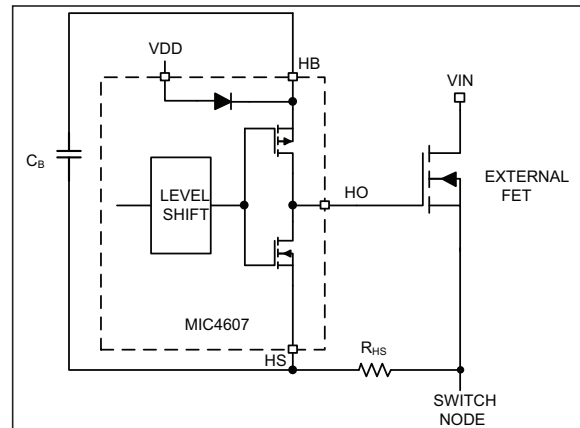


FIGURE 5-2: High-Side Driver and Bootstrap-Circuit Block Diagram.

A low-power, high-speed, level-shifting circuit isolates the low side (V_{SS} pin) referenced circuitry from the high-side (xHS pin) referenced driver. Power to the high-side driver and UVLO circuit is supplied by the bootstrap capacitor (C_B) while the voltage level of the xHS pin is shifted high.

The bootstrap circuit consists of an internal diode and external capacitor, C_B . In a typical application, such as the motor driver shown in [Figure 5-3](#) (only Phase A illustrated), the AHS pin is at ground potential while the low-side MOSFET is on. The internal diode charges capacitor C_B to $V_{DD} - V_F$ during this time (where V_F is

the forward voltage drop of the internal diode). After the low-side MOSFET is turned off and the AHO pin turns on, the voltage across capacitor C_B is applied to the gate of the high-side external MOSFET. As the high-side MOSFET turns on, voltage on the AHS pin rises with the source of the high-side MOSFET until it reaches V_{IN} . As the AHS and AHB pins rise, the internal diode is reverse biased, preventing capacitor C_B from discharging. During this time, the high-side MOSFET is kept ON by the voltage across capacitor C_B .

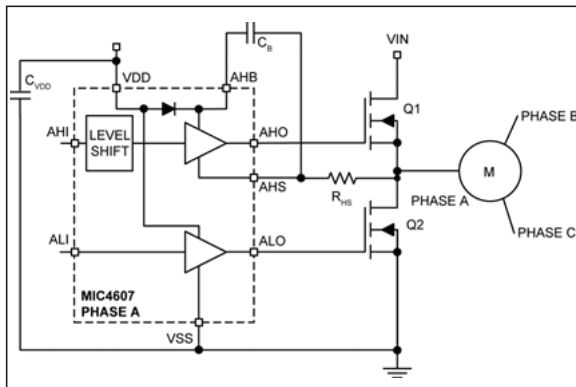


FIGURE 5-3: MIC4607 Motor Driver Example.

5.6 Programmable Gate Drive

The MIC4607 offers programmable gate drive, meaning the MOSFET gate drive (gate-to-source voltage) equals the V_{DD} voltage. This feature offers designers flexibility in selecting the proper MOSFETs for a given application. Different MOSFETs require different V_{GS} characteristics for optimum $R_{DS(ON)}$ performance. Typically, the higher the gate voltage (up to 16V), the lower the $R_{DS(ON)}$ achieved. For example, as shown in Figure 5-4, a NTMSF4899NF MOSFET can be driven to the ON state with a gate voltage of 5.5V but $R_{DS(ON)}$ is 5.2 m Ω . If driven to 10V, $R_{DS(ON)}$ is 4.1 m Ω —a decrease of 20%.

In low-current applications, the losses due to $R_{DS(ON)}$ are minimal, but in high-current motor drive applications such as power tools, the difference in $R_{DS(ON)}$ can lower the efficiency, reducing run time.

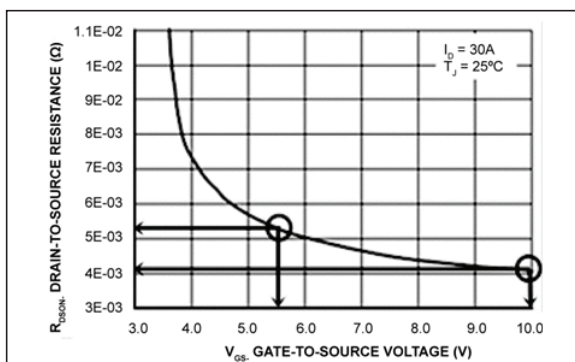


FIGURE 5-4: MOSFET $R_{DS(ON)}$ vs. V_{GS} .

5.7 Overcurrent Protection Circuitry

The MIC4607 provides overcurrent protection for the motor driver circuitry. It consists of:

- A comparator that senses the voltage across a current-sense resistor
- A latch and timer that keep all gate drivers off during a fault
- An open-drain pin that pulls low during the fault.

If an overcurrent condition is detected, the FLT/ pin is pulled low and the gate drive outputs are latched off for a time that is determined by the DLY pin circuitry. After the delay circuitry times out, a high-going edge on any of the LI pins (for the MIC4607-1 version) or a low-going edge on any of the PWM pins (for the MIC4607-2 version) is required to reset the latch, de-assert the FLT/ pin and allow the gate drive outputs to switch.

For additional information, refer to the [Timing Diagrams](#) section as well as the [Functional Diagram](#) section.

5.7.1 ILIM

The ILIM+ and ILIM- pins provide a Kelvin-sensed circuit that monitors the voltage across an external current sense resistor. This resistor is typically connected between the source pins of all three low-side MOSFETs and power ground. If the peak voltage across this resistor exceeds the V_{ILIM+} threshold, it will cause all six outputs to latch off. Both pins should be shorted to V_{SS} ground if the overcurrent features is not used.

5.7.2 DLY

A capacitor connected to the DLY pin determines the amount of time the gate drive outputs are latched off before they can be restarted.

During normal operation, the DLY pin is held low by an internal MOSFET. After an overcurrent condition is detected, the MOSFET turns off and the external capacitor is charged up by an internal current source. The outputs remain latched off until the DLY pin voltage reaches the V_{DLY+} threshold (typically 1.5V).

The delay time can be approximately calculated using [Equation 5-1](#).

EQUATION 5-1:

$$t_{DLY} = \frac{C_{DLY} \times V_{DLY+}}{I_{DLY}}$$

5.7.3 FLT/

This open-drain output is pulled low while the gate drive outputs are latched off after an over-current condition. It will de-assert once the DLY pin has reached the V_{DLY+} threshold and a rising edge occurs on any LI pin (for the MIC4607-1) or a falling edge on any PWM pin (MIC4607-2).

During normal operation, the internal pull-down MOS-FET of the pin is high impedance. A pull-up resistor must be connected to this pin.

6.0 APPLICATION INFORMATION

6.1 Adaptive Dead-Time

For each phase, it is important that both MOSFETs of the same phase branch are not conducting at the same time or V_{IN} will be shorted to ground and current will “shoot through” the MOSFETs. Excessive shoot-through causes higher power dissipation in the MOSFETs, voltage spikes and ringing. The high switching current and voltage ringing generate conducted and radiated EMI.

Minimizing shoot-through can be done passively, actively or through a combination of both. Passive shoot-through protection can be achieved by implementing delays between the high and low gate drivers to prevent both MOSFETs from being on at the same time. These delays can be adjusted for different applications. Although simple, the disadvantage of this approach is that it requires long delays to account for process and temperature variations in the MOSFET and MOSFET driver.

Adaptive Dead-Time monitors voltages on the gate drive outputs and switch node to determine when to switch the MOSFETs on and off. This active approach adjusts the delays to account for some of the variations, but it too has its disadvantages. High currents and fast switching voltages in the gate drive and return paths can cause parasitic ringing to turn the MOSFETs back on even while the gate driver output is low. Another disadvantage is that the driver cannot monitor the gate voltage inside the MOSFET. Figure 6-1 shows an equivalent circuit of the high-side gate drive.

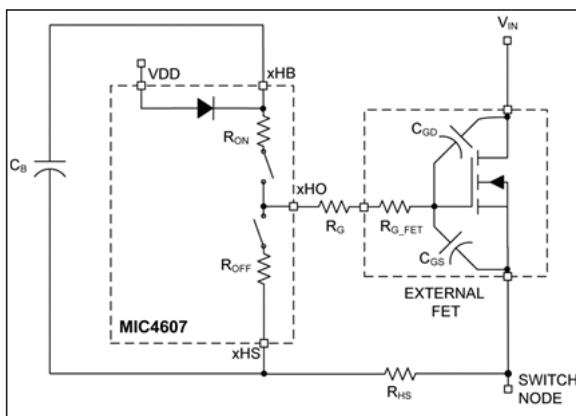


FIGURE 6-1: MIC4607 Driving an External MOSFET.

The internal gate resistance (R_{G_FET}) and any external damping resistor (R_G) and HS pin resistor (R_{HS}), isolate the MOSFET's gate from the driver output. There is a delay between when the driver output goes low and the MOSFET turns off. This turn-off delay is usually specified in the MOSFET data sheet. This delay increases when an external damping resistor is used.

The MIC4607 uses a combination of active sensing and passive delay to ensure that both MOSFETs are not on at the same time. Figure 6-2 illustrates how the adaptive dead-time circuitry works.

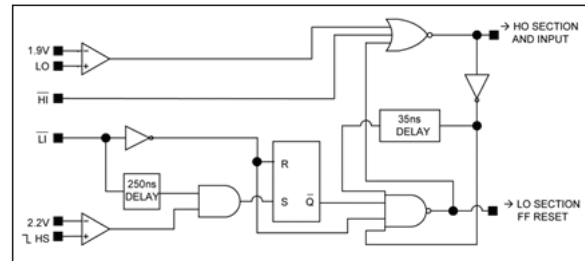


FIGURE 6-2: Adaptive Dead-Time Logic Diagram.

For the MIC4607-2, a high level on the xPWM pin causes \overline{HI} to go low and \overline{LI} to go high. This causes the xLO pin to go low. The MIC4607 monitors the xLO pin voltage and prevents the xHO pin from turning on until the voltage on the xLO pin reaches the V_{LOOFF} threshold. After a short delay, the MIC4607 drives the xHO pin high. Monitoring the xLO voltage eliminates any excessive delay due to the MOSFET driver's turn-off time and the short delay accounts for the MOSFET turn-off delay as well as letting the xLO pin voltage settle out. If an external resistor is used between the xLO output and the MOSFET gate, it must be made small enough to prevent excessive voltage drop across the resistor during turn-off. Figure 6-3 illustrates using a diode (D_{LS}) and resistor (R_{LS2}) in parallel with the gate resistor to prevent a large voltage drop between the xLO pin and MOSFET gate voltages during turn-off.

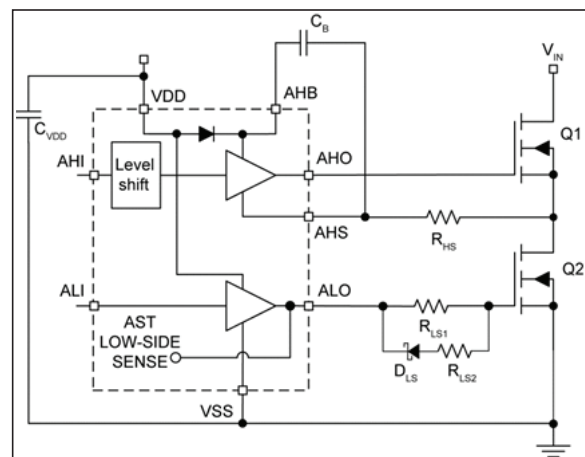


FIGURE 6-3: Low-Side Drive Gate Resistor Configuration.

A low on the xPWM pin causes \overline{HI} to go high and \overline{LO} to go low. This causes the xHO pin to go low after a short delay (t_{HOFF}). Before the xLO pin can go high, the voltage on the switching node (xHS pin) must have dropped to 2.2V. Monitoring the switch voltage instead of the xHO pin voltage eliminates timing variations and excessive delays due to the high-side MOSFET

MIC4607

turn-off. The xLO driver turns on after a short delay (t_{LON}). Once the xLO driver is turned on, it is latched on until the xPWM signal goes high. This prevents any ringing or oscillations on the switch node or xHS pin from turning off the xLO driver. If the xPWM pin goes low and the voltage on the xHS pin does not cross the V_{SWTH} threshold, the xLO pin will be forced high after a short delay (t_{SWTO}), ensuring proper operation.

The internal logic circuits also ensure a “first on” priority at the inputs. If the xHO output is high, the xLI pin is inhibited. A high signal or noise glitch on the xLI pin has no effect on the xHO or xLO outputs until the xHI pin goes low. Similarly, xLO being high holds xHO low until xLI and xLO are low.

Fast propagation delay between the input and output drive waveform is desirable. It improves overcurrent protection by decreasing the response time between the control signal and the MOSFET gate drive. Minimizing propagation delay also minimizes phase shift errors in power supplies with wide bandwidth control loops.

Care must be taken to ensure that the input signal pulse width is greater than the minimum specified pulse width. An input signal that is less than the minimum pulse width can result in no output pulse or an output pulse whose width is significantly less than the input.

The maximum duty cycle (ratio of high-side on-time to switching period) is determined by the time required for the C_B capacitor to charge during the off-time. Adequate time must be allowed for the C_B capacitor to charge up before the high-side driver is turned back on.

Although the adaptive dead-time circuit in the MIC4607 prevents the driver from turning both MOSFETs on at the same time, other factors outside of the anti-shoot-through circuit’s control can cause shoot-through. Other factors include ringing on the gate drive node and capacitive coupling of the switching node voltage on the gate of the low-side MOSFET.

The scope photo in Figure 6-4 shows the dead time (<20 ns) between the high- and low-side MOSFET transitions as the low-side driver switches off while the high-side driver transitions from off to on.

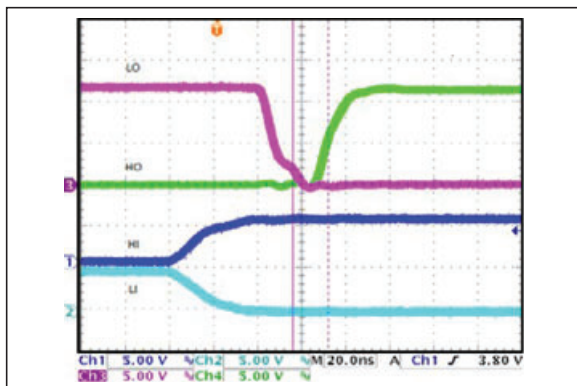


FIGURE 6-4: Adaptive Dead-Time LO (LOW) to HO (HIGH).

Table 6-1 contains truth tables for the MIC4607-1 (independent TTL inputs) and Table 6-2 is for the MIC4607-2 (PWM inputs) that details the “first on” priority as well as the failsafe delay (t_{SWTO}).

TABLE 6-1: MIC4607-1 TRUTH TABLE

xLI	xHI	xLO	xHO	Comments
0	0	0	0	Both outputs off.
0	1	0	1	xHO will not go HIGH until xLO falls below 1.9V.
1	0	1	0	xLO will be delayed an extra 250 ns if xHS never falls below 2.2V.
1	1	X	X	First ON stays on until input of same goes LOW.

TABLE 6-2: MIC4607-2 TRUTH TABLE

xPWM	xLO	xHO	Comments
0	1	0	xLO will be delayed an extra 250 ns if xHS never falls below 2.2V.
1	0	1	xHO will not go HIGH until xLO falls below 1.9V.

6.2 HS Pin Clamp

A resistor/diode clamp between the switching node and the HS pin is necessary to clamp large negative glitches or pulses on the HS pin.

Figure 6-5 shows the Phase A section high-side and low-side MOSFETs connected to one phase of the three phase motor. There is a brief period of time (dead time) between switching to prevent both MOSFETs from being on at the same time. When the high-side MOSFET is conducting during the on-time state, current flows into the motor. After the high-side MOSFET turns off, but before the low-side MOSFET turns on, current from the motor flows through the body diode in parallel with the low-side MOSFET. Depending upon the turn-on time of the body diode, the motor current, and circuit parasitics, the initial negative voltage on the switch node can be several volts or more. The forward voltage drop of the body diode can be several volts, depending on the body diode characteristics and motor current.

Even though the HS pin is rated for negative voltage, it is good practice to clamp the negative voltage on the HS pin with a resistor and a diode to prevent excessive negative voltage from damaging the driver. Depending upon the application and amount of negative voltage on the switch node, a 3Ω resistor is recommended. If the HS pin voltage exceeds 0.7V, a diode between the xHS pin and ground is recommended. The diode reverse

voltage rating must be greater than the high-voltage input supply (V_{IN}). Larger values of resistance can be used if necessary.

Adding a series resistor in the switch node limits the peak high-side driver current during turn-off, which affects the switching speed of the high-side driver. The resistor in series with the HO pin may be reduced to help compensate for the extra HS pin resistance.

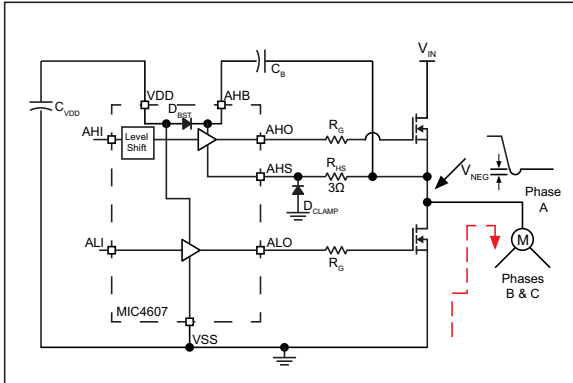


FIGURE 6-5: Negative HS Pin Voltage.

6.3 Power Dissipation Considerations

Power dissipation in the driver can be separated into three areas:

- Internal diode dissipation in the bootstrap circuit
- Internal driver dissipation
- Quiescent current dissipation used to supply the internal logic and control functions.

6.4 Bootstrap Circuit Power Dissipation

Power dissipation of the internal bootstrap diode primarily comes from the average charging current of the bootstrap capacitor (C_B) multiplied by the forward voltage drop of the diode. Secondary sources of diode power dissipation are the reverse leakage current and reverse recovery effects of the diode.

The average current drawn by repeated charging of the high-side MOSFET is calculated by [Equation 6-1](#).

EQUATION 6-1:

$$I_{F(AVE)} = Q_{GATE} \times f_S$$

Where:

- Q_{GATE} Total gate charge at $V_{HB} - V_{HS}$.
 f_S Gate drive switching frequency.

The average power dissipated by the forward voltage drop of the diode equals:

EQUATION 6-2:

$$P_{diode_{FWD}} = I_{F(AVE)} \times V_F$$

Where:

- V_F Diode forward voltage drop.

There are three phases in the MIC4607. The power dissipation for each of the bootstrap diodes must be calculated and summed to obtain the total bootstrap diode power dissipation for the package.

The value of V_F should be taken at the peak current through the diode; however, this current is difficult to calculate because of differences in source impedances. The peak current can either be measured or the value of V_F at the average current can be used, which will yield a good approximation of diode power dissipation.

The reverse leakage current of the internal bootstrap diode is typically $3 \mu A$ at a reverse voltage of 85V at 125°C. Power dissipation due to reverse leakage is typically much less than 1 mW and can be ignored.

An optional external bootstrap diode may be used instead of the internal diode ([Figure 6-6](#)). An external diode may be useful if high gate charge MOSFETs are being driven and the power dissipation of the internal diode is contributing to excessive die temperatures. The voltage drop of the external diode must be less than the internal diode for this option to work. The reverse voltage across the diode will be equal to the input voltage minus the V_{DD} supply voltage. The above equations can be used to calculate power dissipation in the external diode; however, if the external diode has significant reverse leakage current, the power dissipated in that diode due to reverse leakage can be calculated with the formula in [Equation 6-3](#):

EQUATION 6-3:

$$P_{diode_{REV}} = I_R \times V_{REV} \times (1 - D)$$

Where:

- I_R Reverse current flow at V_{REV} and T_J .
 V_{REV} Diode reverse voltage.
 D Duty cycle ($t_{ON} \times f_S$).

The on-time is the time the high-side switch is conducting. In most topologies, the diode is reverse biased during the switching cycle off-time.

MIC4607

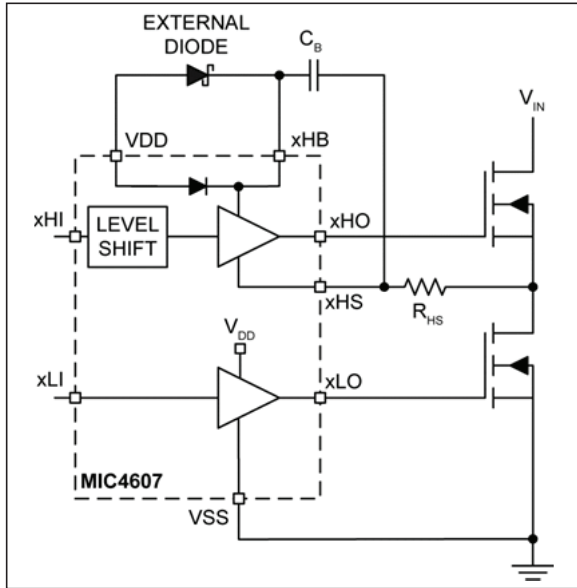


FIGURE 6-6: Optional External Bootstrap Diode.

6.5 Gate Driver Power Dissipation

Power dissipation in the output driver stage is mainly caused by charging and discharging the gate to source and gate to drain capacitance of the external MOSFET. Figure 6-7 shows a simplified equivalent circuit of the MIC4607 driving an external high-side MOSFET.

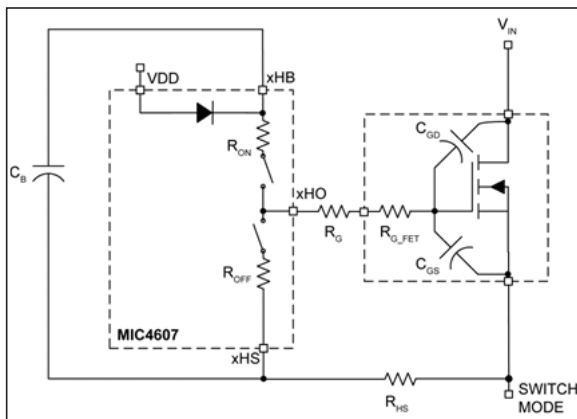


FIGURE 6-7: MIC4607 Driving an External High-Side MOSFET.

6.5.1 DISSIPATION DURING THE EXTERNAL MOSFET TURN-ON

Energy from capacitor C_B is used to charge up the input capacitance of the MOSFET (C_{GD} and C_{GS}). The energy delivered to the MOSFET is dissipated in the three resistive components, R_{ON} , R_G and R_{G_FET} . R_{ON} is the on resistance of the upper driver MOSFET in the MIC4607. R_G is the series resistor (if any) between the driver and the MOSFET. R_{G_FET} is the gate resistance of the MOSFET and is typically listed in the power

MOSFET's specifications. The ESR of capacitor C_B and the resistance of the connecting etch can be ignored since they are much less than R_{ON} and R_{G_FET} .

The effective capacitances of C_{GD} and C_{GS} are difficult to calculate because they vary non-linearly with I_D , V_{GS} , and V_{DS} . Fortunately, most power MOSFET specifications include a typical graph of total gate charge versus V_{GS} . Figure 6-8 shows a typical gate charge curve for an arbitrary power MOSFET. This chart shows that for a gate voltage of 10V, the MOSFET requires about 23.5 nC of charge. The energy dissipated by the resistive components of the gate drive circuit during turn-on is calculated as:

EQUATION 6-4:

$$E = \frac{1}{2} \times C_{ISS} \times V_{GS}^2$$

Where:

C_{ISS} Total gate capacitance of the MOSFET.

but

EQUATION 6-5:

$$Q = C \times V$$

so,

EQUATION 6-6:

$$E = \frac{1}{2} \times Q_G \times V_{GS}$$

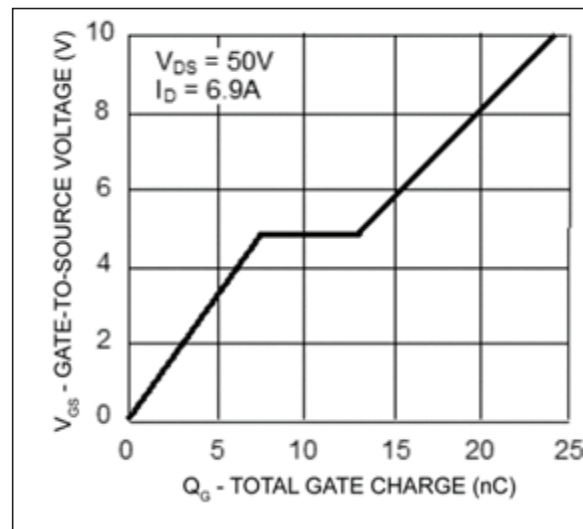


FIGURE 6-8: Typical Gate Charge vs. V_{GS} .

The same energy is dissipated by R_{OFF} , R_G , and R_{G_FET} when the driver IC turns the MOSFET off. Assuming R_{ON} is approximately equal to R_{OFF} , the total energy and power dissipated by the resistive drive elements is:

EQUATION 6-7:

$$E_{DRIVER} = Q_G \times V_{GS}$$

Where:

E_{DRIVER} Energy dissipated per switching cycle

and

EQUATION 6-8:

$$P_{DRIVER} = Q_G \times V_{GS} \times f_S$$

Where:

P_{DRIVER} Power dissipated per switching cycle

Q_G Total gate charge at V_{GS}

V_{GS} Gate-to-source voltage on MOSFET

f_S Switching freq. of the gate drive circuit

6.6 Supply Current Power Dissipation

Power is dissipated in the input and control sections of the MIC4607, even if there is no external load. Current is still drawn from the V_{DD} and HB pins for the internal circuitry, the level shifting circuitry, and shoot-through current in the output drivers. The V_{DD} and V_{HB} currents are proportional to operating frequency and the V_{DD} and V_{HB} voltages. The [Typical Performance Curves](#) show how supply current varies with switching frequency and supply voltage.

The power dissipated by the MIC4607 due to supply current is:

EQUATION 6-9:

$$P_{diss_SUPPLY} = V_{DD} \times I_{DD} + V_{HB} \times I_{HB}$$

Values for I_{DD} and I_{HB} are found in the EC table and the typical characteristics graphs.

6.7 Total Power Dissipation and Thermal Considerations

Total power dissipation in the MIC4607 is equal to the power dissipation caused by driving the external MOSFETs, the supply currents and the internal bootstrap diodes.

EQUATION 6-10:

$$P_{diss_TOTAL} = P_{diss_SUPPLY} + P_{diss_DRIVE} + P_{DIODE}$$

The power dissipated in the driver equals the ratio of R_{ON} and R_{OFF} to the external resistive losses in R_G and R_{G_FET} . Letting $R_{ON} = R_{OFF}$, the power dissipated in the driver due to driving the external MOSFET is:

EQUATION 6-11:

$$P_{diss_DRIVER} = P_{DRIVER} \times \frac{R_{ON}}{R_{ON} + R_G + R_{G_FET}}$$

There are six MOSFETs driven by the MIC4607. The power dissipation for each of the drivers must be calculated and summed to obtain the total driver diode power dissipation for the package.

In some cases, the high-side FET of one phase may be pulsed at a frequency, f_S , while the low-side FET of the other phase is kept continuously on. Since the MOSFET gate is capacitive, there is no driver power if the FET is not switched. The operation of all driver outputs must be considered to accurately calculate power dissipation.

The die temperature can be calculated after the total power dissipation is known.

EQUATION 6-12:

$$T_J = T_A + P_{diss_TOTAL} \times \theta_{JA}$$

Where:

T_A Maximum ambient temperature

T_J Junction temperature

P_{diss_TOTAL} Total power dissipation of MIC4607

θ_{JA} Thermal resistance from junction to ambient air

6.8 Other Timing Considerations

Make sure the input signal pulse width is greater than the minimum specified pulse width. An input signal that is less than the minimum pulse width may result in no output pulse or an output pulse whose width is significantly less than the input.

The maximum duty cycle (ratio of high-side on-time to switching period) is controlled by the minimum pulse width of the low side and by the time required for the C_B capacitor to charge during the off-time. Adequate time must be allowed for the C_B capacitor to charge up before the high-side driver is turned on.

6.9 Decoupling and Bootstrap Capacitor Selection

Decoupling capacitors are required for both the low-side (V_{DD}) and high-side (xHB) supply pins. These capacitors supply the charge necessary to drive the

external MOSFETs and also minimize the voltage ripple on these pins. The capacitor from xHB to xHS has two functions: it provides decoupling for the high-side circuitry and also provides current to the high-side circuit while the high-side external MOSFET is on. Ceramic capacitors are recommended because of their low impedance and small size. Z5U type ceramic capacitor dielectrics are not recommended because of the large change in capacitance over temperature and voltage. A minimum value of 0.1 μF is required for C_B (xHB to xHS capacitors) and 1 μF for the V_{DD} capacitor, regardless of the MOSFETs being driven. Larger MOSFETs may require larger capacitance values for proper operation. The voltage rating of the capacitors depends on the supply voltage, ambient temperature and the voltage derating used for reliability. 25V rated X5R or X7R ceramic capacitors are recommended for most applications. The minimum capacitance value should be increased if low voltage capacitors are used because even good quality dielectric capacitors, such as X5R, will lose 40% to 70% of their capacitance value at the rated voltage.

Placement of the decoupling capacitors is critical. The bypass capacitor for V_{DD} should be placed as close as possible between the V_{DD} and V_{SS} pins. The bypass capacitor (C_B) for the xHB supply pin must be located as close as possible between the xHB and xHS pins. The etch connections must be short, wide, and direct. The use of a ground plane to minimize connection impedance is recommended. Refer to the “[Grounding, Component Placement and Circuit Layout](#)” sub-section for more information.

The voltage on the bootstrap capacitor drops each time it delivers charge to turn on the MOSFET. The voltage drop depends on the gate charge required by the MOSFET. Most MOSFET specifications specify gate charge versus V_{GS} voltage. Based on this information and a recommended ΔV_{HB} of less than 0.1V, the minimum value of bootstrap capacitance is calculated as:

EQUATION 6-13:

$$C_B \geq \frac{Q_{GATE}}{\Delta V_{HB}}$$

Where:

Q_{GATE} Total gate charge at V_{HB} .
 ΔV_{HB} Voltage drop at the HB pin.

If the high-side MOSFET is not switched but held in an on state, the voltage in the bootstrap capacitor will drop due to leakage current that flows from the HB pin to ground. This current is specified in the [Electrical Characteristics](#) table. In this case, the value of C_B is calculated as:

EQUATION 6-14:

$$C_B \geq \frac{I_{HBS} \times t_{ON}}{\Delta V_{HB}}$$

Where:

I_{HBS} Maximum xHB pin leakage current.
 t_{ON} Maximum high-side FET on-time.

The larger value of C_B from [Equation 6-13](#) or [Equation 6-14](#) should be used.

6.10 Grounding, Component Placement and Circuit Layout

Nanosecond switching speeds and ampere peak currents in and around the MIC4607 driver require proper placement and trace routing of all components. Improper placement may cause degraded noise immunity, false switching, excessive ringing, or circuit latch-up.

[Figure 6-9](#) shows the critical current paths of the high- and low-side driver when their outputs go high and turn on the external MOSFETs. It also helps demonstrate the need for a low impedance ground plane. Charge needed to turn-on the MOSFET gates comes from the decoupling capacitors C_{VDD} and C_B . Current in the low-side gate driver flows from C_{VDD} through the internal driver, into the MOSFET gate, and out the source. The return connection back to the decoupling capacitor is made through the ground plane. Any inductance or resistance in the ground return path causes a voltage spike or ringing to appear on the source of the MOSFET. This voltage works against the gate drive voltage and can either slow down or turn off the MOSFET during the period when it should be turned on.

Current in the high-side driver is sourced from capacitor C_B and flows into the xHB pin and out the xHO pin, into the gate of the high side MOSFET. The return path for the current is from the source of the MOSFET and back to capacitor C_B . The high-side circuit return path usually does not have a low-impedance ground plane so the etch connections in this critical path should be short and wide to minimize parasitic inductance. As with the low-side circuit, impedance between the MOSFET source and the decoupling capacitor causes negative voltage feedback that fights the turn-on of the MOSFET.

It is important to note that capacitor C_B must be placed close to the xHB and xHS pins. This capacitor not only provides all the energy for turn-on but it must also keep xHB pin noise and ripple low for proper operation of the high-side drive circuitry.

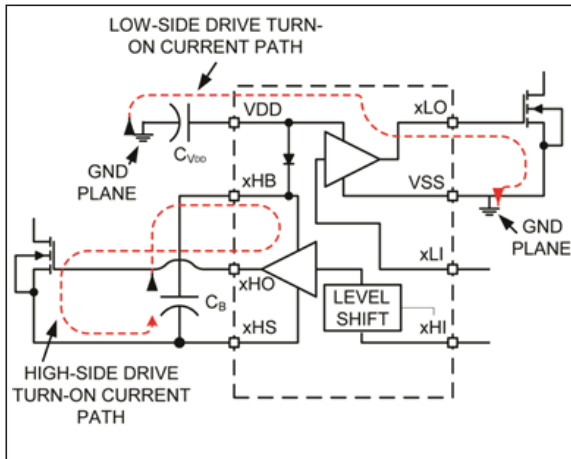


FIGURE 6-9: Turn-On Current Paths.

Figure 6-10 shows the critical current paths when the driver outputs go low and turn off the external MOSFETs. Short, low-impedance connections are important during turn-off for the same reasons given in the turn-on explanation. Current flowing through the internal diode replenishes charge in the bootstrap capacitor, C_B .

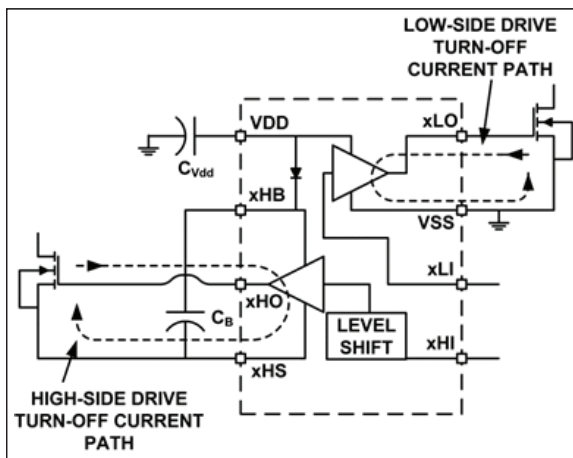


FIGURE 6-10: Turn-Off Current Paths.

MIC4607

7.0 MOTOR APPLICATIONS

Figure 7-1 illustrates an automotive motor application. The 12V battery input voltage can see peaks as high as 60V during a load dump event. The 85V-rated MIC4607 drives six MOSFETs that provide power to the BLDC motor.

A current-sense resistor senses the peak motor current. The voltage across this resistor is monitored by the OC circuit in the MIC4607, which provides overcurrent protection for the application. The 120V rating of the MIC5281 series of LDOs provide input surge voltage protection, while regulating the battery voltage down to 3.3V and 10V to 12V for the microcontroller and gate driver respectively. This circuit can also be used for power tool applications, where the battery voltage carries high-voltage peaks and surges.

Figure 7-2 is a block diagram for a 24V motor drive application. The regulated 24V bus allows the use of lower input voltage LDOs, such as the MIC5239-3.3 and MIC5234. This circuit configuration can be used in industrial applications.

Figure 7-3 illustrates an off-line motor application. Adding an off-line power supply to the front end allow the MIC4607 to be used in applications such as blenders and other small white goods as well as ceiling fan applications. The circuit consists of an MIC38C44 based AC/DC power supply, that is used to generate 24 VDC to power a BLDC motor. The MIC4607 drives the six MOSFETs that provide power to the motor.

The MIC4607 can also be used in low and mid-voltage inverter applications. Figure 7-4 shows how power generated by a spinning (or breaking) motor can be used to generate DC power to a load or provide power for battery-charging applications.

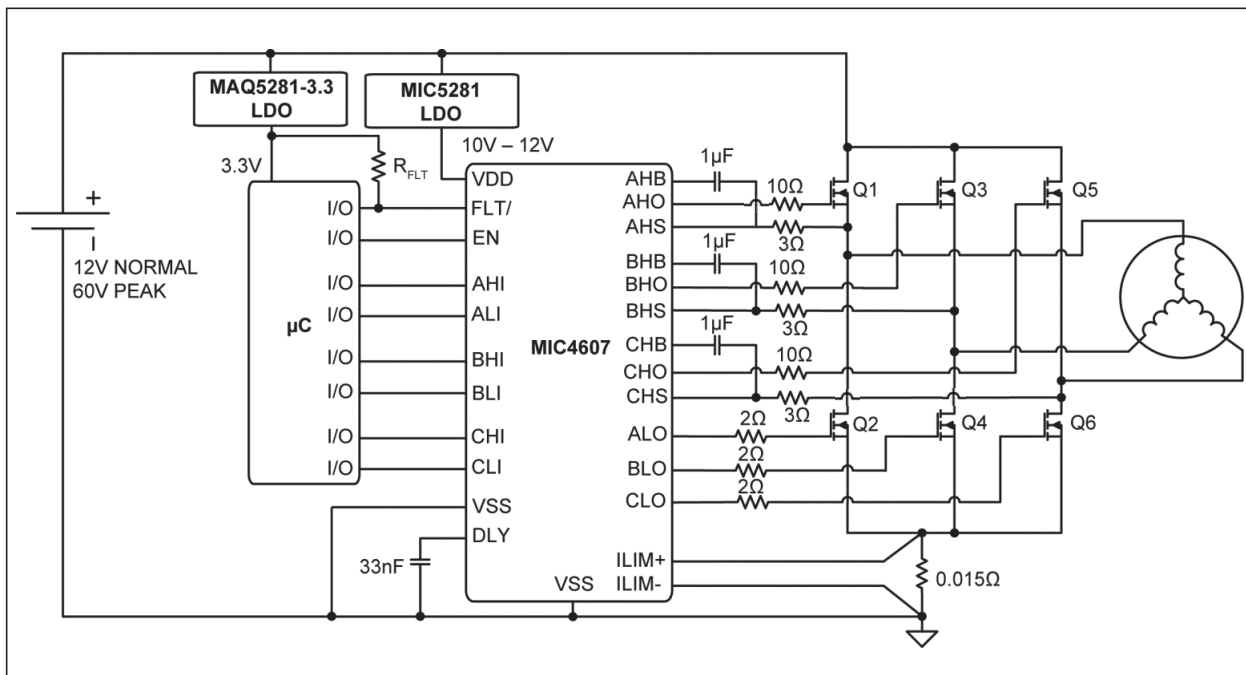


FIGURE 7-1: Automotive or Power Tool Application.

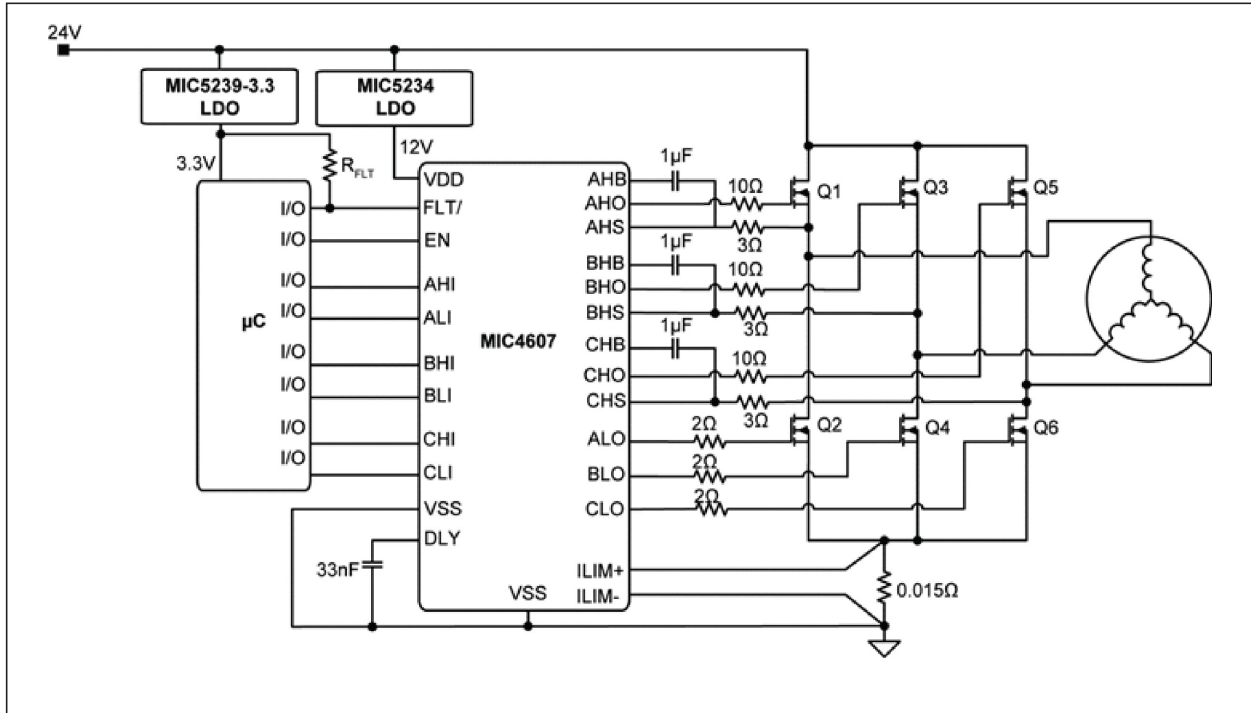


FIGURE 7-2: Industrial Motor Driver.

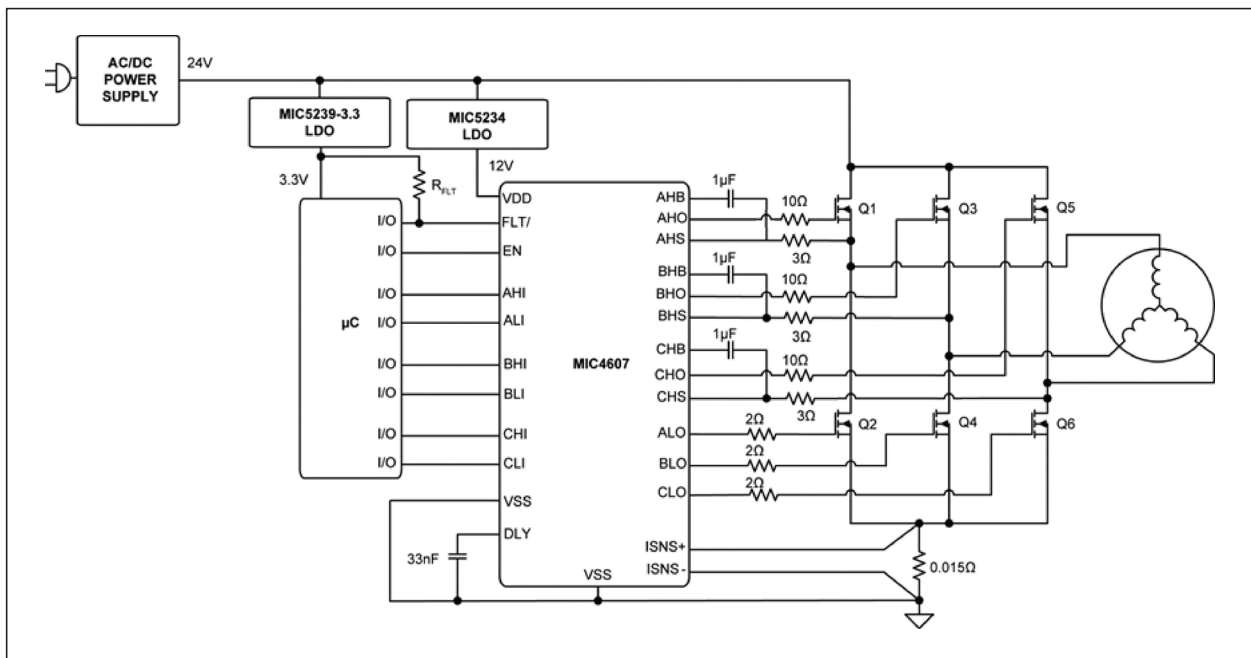


FIGURE 7-3: Blender Motor Drive Application Diagram.

MIC4607

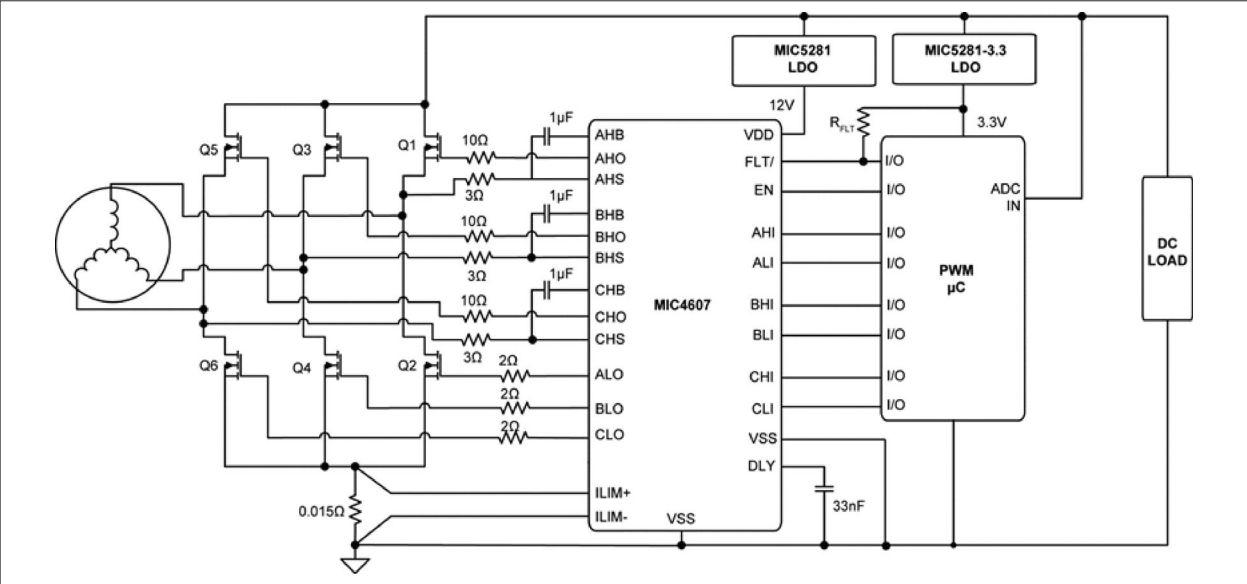
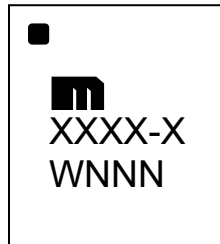


FIGURE 7-4: Three-Phase Synchronous Rectification.

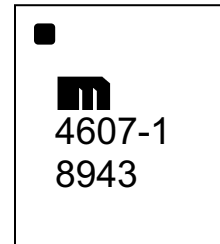
8.0 PACKAGING INFORMATION

8.1 Package Marking Information

24-lead VQFN*



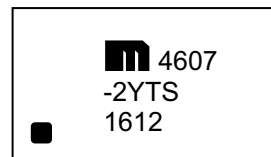
Example



28-lead TSSOP*



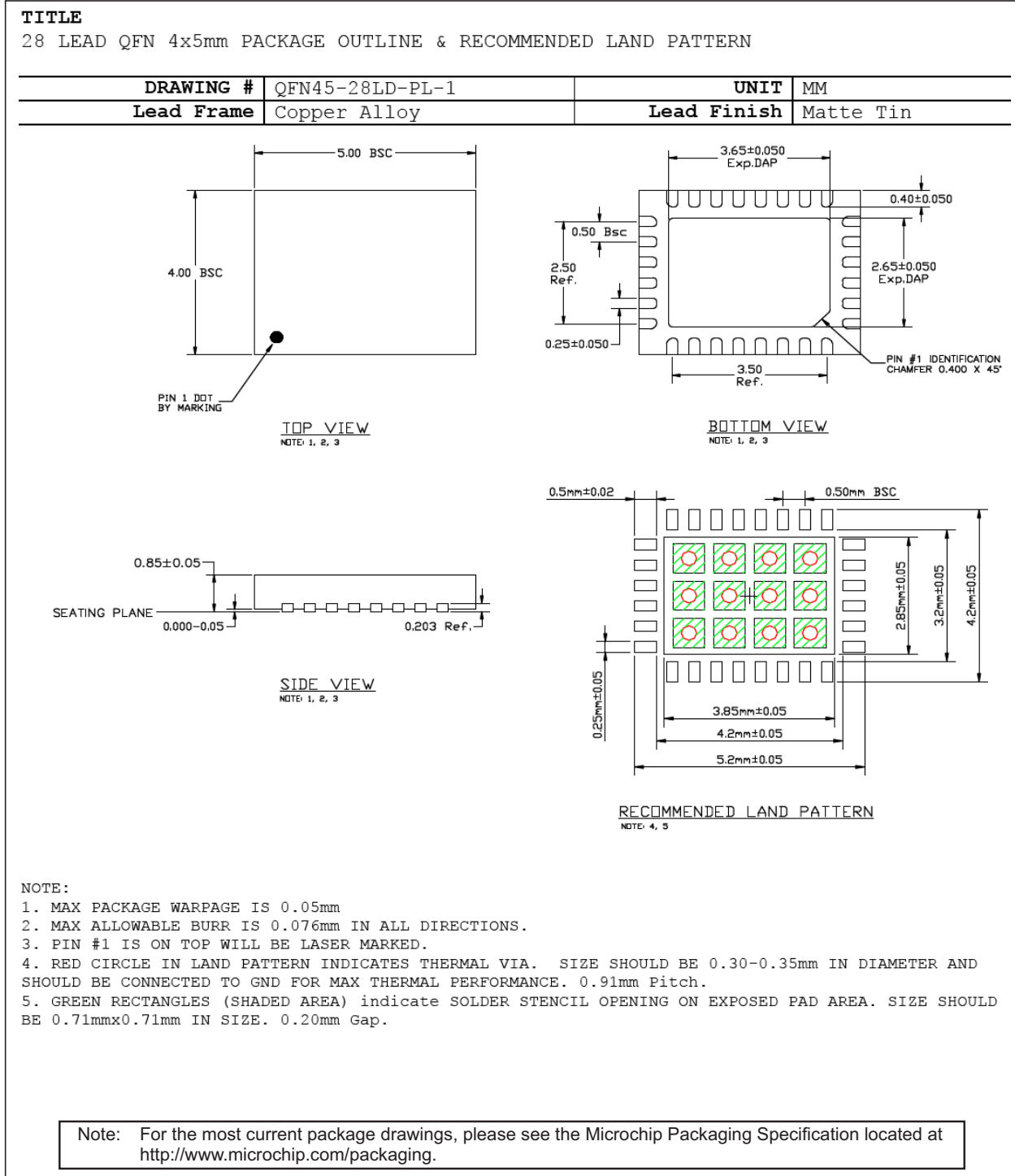
Example



Legend:	XX...X	Product code or customer-specific information
	Y	Year code (last digit of calendar year)
	YY	Year code (last 2 digits of calendar year)
	WW	Week code (week of January 1 is week '01')
	NNN	Alphanumeric traceability code
	(e3)	Pb-free JEDEC® designator for Matte Tin (Sn)
	*	This package is Pb-free. The Pb-free JEDEC designator (e3) can be found on the outer packaging for this package.
	•, ▲, ▼	Pin one index is identified by a dot, delta up, or delta down (triangle mark).
Note:	In the event the full Microchip part number cannot be marked on one line, it will be carried over to the next line, thus limiting the number of available characters for customer-specific information. Package may or may not include the corporate logo.	
	Underbar (¯) and/or Overbar (˘) symbol may not be to scale.	

MIC4607

28-Lead QFN Package Outline and Recommended Land Pattern

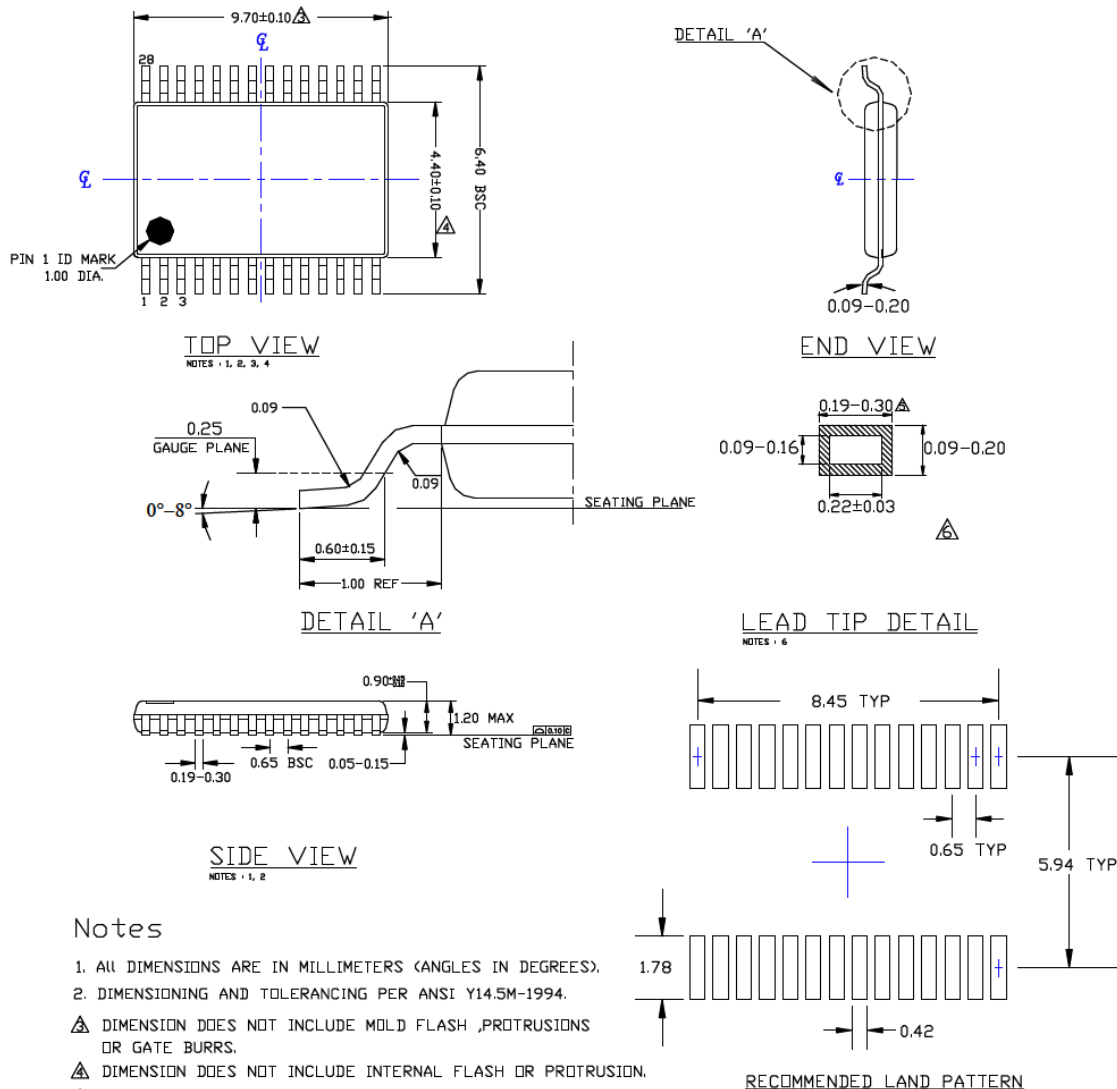


28-Lead TSSOP Package Outline and Recommended Land Pattern

TITLE

28 LEAD TSSOP PACKAGE OUTLINE & RECOMMENDED LAND PATTERN

DRAWING #	TSSOP-28LD-PL-1	UNIT	MM [INCH]
------------------	-----------------	-------------	-----------



Notes

1. ALL DIMENSIONS ARE IN MILLIMETERS (ANGLES IN DEGREES).
 2. DIMENSIONING AND TOLERANCING PER ANSI Y14.5M-1994.
- ▲ DIMENSION DOES NOT INCLUDE MOLD FLASH, PROTRUSIONS OR GATE BURRS.
 - ▲ DIMENSION DOES NOT INCLUDE INTERNAL FLASH OR PROTRUSION.
 - ▲ DIMENSION DOES NOT INCLUDE DAMBAR PROTRUSION.
 - ▲ CROSS SECTION TO BE DETERMINED AT 0.10 TO 0.25MM FROM THE LEAD TIP.

Note: For the most current package drawings, please see the Microchip Packaging Specification located at <http://www.microchip.com/packaging>.

MIC4607

NOTES:

APPENDIX A: REVISION HISTORY

Revision A (August 2016)

- Converted Micrel document MIC4607 to Microchip data sheet template DS20005610A.
- Minor text changes throughout.

Revision B (January 2018)

- Replaced [Figure 6-5](#) with a corrected version.
- Updated values in [Absolute Maximum Ratings †](#), [\(Note 2\)](#) and [Operational Characteristics ††](#), [\(Note 2\)](#) sections.

Revision C (August 2018)

- AEC-Q100 qualification.

Revision D (April 2019)

- Removed statement 'Qualified According to AEC-Q100' from [Features](#).
- Remove statement 'Automotive BLDC Motor Applications' from [Applications](#).

MIC4607

NOTES:

PRODUCT IDENTIFICATION SYSTEM

To order or obtain information, e.g., on pricing or delivery, refer to the factory or the listed sales office.

PART NO.	-X	X	XX	-	XX
Device	Input Option	Junction Temperature Range	Package		Media Type
Device:	MIC4607:	85V, Three-Phase MOSFET Driver with Adaptive Dead-Time, Anti-Shoot-Through and Overcurrent Protection			
Input Option:	1	= Dual Inputs			
	2	= Single PWM Input			
Temperature Range:	Y	= -40°C to +125°C (RoHS Compliant)			
Package:	ML	= 28-lead 4x5 QFN			
	TS	= 28-lead 5.0x4.4 TSSOP			
Media Type:	T5	= 500/Reel			
	TR	= 5000/Reel QFN (ML) Package			
		= 2500/Reel TSSOP (TS) Package			
	<blank>	= 50/Tube TSSOP (TS) Package			
Examples:					
a)	MIC4607-1YML-T5:	85V, Three-Phase MOSFET Driver with Adaptive Dead-Time, Anti-Shoot-Through and Overcurrent Protection, Dual Inputs, -40°C to +125°C Temperature Range, 28-Pin QFN, 500/Reel.			
b)	MIC4607-1YML-TR:	85V, Three-Phase MOSFET Driver with Adaptive Dead-Time, Anti-Shoot-Through and Overcurrent Protection, Dual Inputs, -40°C to +125°C Temp. Range, 28-Pin QFN, 5000/Reel.			
c)	MIC4607-1YTS:	85V, Three-Phase MOSFET Driver with Adaptive Dead-Time, Anti-Shoot-Through and Overcurrent Protection, Dual Inputs, -40°C to +125°C Temp. Range, 28-Pin TSSOP, 500/Reel.			
d)	MIC4607-1YTS-T5:	85V, Three-Phase MOSFET Driver with Adaptive Dead-Time, Anti-Shoot-Through and Overcurrent Protection, Dual Inputs, -40°C to +125°C Temp. Range, 28-Pin TSSOP, 500/Reel.			
e)	MIC4607-1YTS-TR:	85V, Three-Phase MOSFET Driver with Adaptive Dead-Time, Anti-Shoot-Through and Overcurrent Protection, Dual Inputs, -40°C to +125°C Temp. Range, 28-Pin TSSOP, 5000/Reel.			
f)	MIC4607-2YML-T5:	85V, Three-Phase MOSFET Driver with Adaptive Dead-Time, Anti-Shoot-Through and Overcurrent Protection, Single PWM Input, -40°C to +125°C Temp. Range, 28-Pin TSSOP, 500/Reel.			
g)	MIC4607-2YML-TR:	85V, Three-Phase MOSFET Driver with Adaptive Dead-Time, Anti-Shoot-Through and Overcurrent Protection, Single PWM Input, -40°C to +125°C Temp. Range, 28-Pin TSSOP, 2500/Reel.			
h)	MIC4607-2YTS:	85V, Three-Phase MOSFET Driver with Adaptive Dead-Time, Anti-Shoot-Through and Overcurrent Protection, Dual Inputs, -40°C to +125°C Temp. Range, 28-Pin TSSOP, 50/Tube			

MIC4607

NOTES:

Note the following details of the code protection feature on Microchip devices:

- Microchip products meet the specification contained in their particular Microchip Data Sheet.
- Microchip believes that its family of products is one of the most secure families of its kind on the market today, when used in the intended manner and under normal conditions.
- There are dishonest and possibly illegal methods used to breach the code protection feature. All of these methods, to our knowledge, require using the Microchip products in a manner outside the operating specifications contained in Microchip's Data Sheets. Most likely, the person doing so is engaged in theft of intellectual property.
- Microchip is willing to work with the customer who is concerned about the integrity of their code.
- Neither Microchip nor any other semiconductor manufacturer can guarantee the security of their code. Code protection does not mean that we are guaranteeing the product as “unbreakable.”

Code protection is constantly evolving. We at Microchip are committed to continuously improving the code protection features of our products. Attempts to break Microchip's code protection feature may be a violation of the Digital Millennium Copyright Act. If such acts allow unauthorized access to your software or other copyrighted work, you may have a right to sue for relief under that Act.

Information contained in this publication regarding device applications and the like is provided only for your convenience and may be superseded by updates. It is your responsibility to ensure that your application meets with your specifications. MICROCHIP MAKES NO REPRESENTATIONS OR WARRANTIES OF ANY KIND WHETHER EXPRESS OR IMPLIED, WRITTEN OR ORAL, STATUTORY OR OTHERWISE, RELATED TO THE INFORMATION, INCLUDING BUT NOT LIMITED TO ITS CONDITION, QUALITY, PERFORMANCE, MERCHANTABILITY OR FITNESS FOR PURPOSE. Microchip disclaims all liability arising from this information and its use. Use of Microchip devices in life support and/or safety applications is entirely at the buyer's risk, and the buyer agrees to defend, indemnify and hold harmless Microchip from any and all damages, claims, suits, or expenses resulting from such use. No licenses are conveyed, implicitly or otherwise, under any Microchip intellectual property rights unless otherwise stated.

Microchip received ISO/TS-16949:2009 certification for its worldwide headquarters, design and wafer fabrication facilities in Chandler and Tempe, Arizona; Gresham, Oregon and design centers in California and India. The Company's quality system processes and procedures are for its PIC® MCUs and dsPIC® DSCs, KEELoq® code hopping devices, Serial EEPROMs, microperipherals, nonvolatile memory and analog products. In addition, Microchip's quality system for the design and manufacture of development systems is ISO 9001:2000 certified.

**QUALITY MANAGEMENT SYSTEM
CERTIFIED BY DNV
= ISO/TS 16949 =**

Trademarks

The Microchip name and logo, the Microchip logo, AnyRate, AVR, AVR logo, AVR Freaks, BitCloud, chipKIT, chipKIT logo, CryptoMemory, CryptoRF, dsPIC, FlashFlex, flexPWR, Helder, JukeBlox, KeeLoq, Klear, LANCheck, LINK MD, maXStylus, maXTouch, MediaLB, megaAVR, MOST, MOST logo, MPLAB, OptoLyzer, PIC, picoPower, PICSTART, PIC32 logo, Prochip Designer, QTouch, SAM-BA, SpyNIC, SST, SST Logo, SuperFlash, tinyAVR, UNI/O, and XMEGA are registered trademarks of Microchip Technology Incorporated in the U.S.A. and other countries.

ClockWorks, The Embedded Control Solutions Company, EtherSynch, Hyper Speed Control, HyperLight Load, IntellIMOS, mTouch, Precision Edge, and Quiet-Wire are registered trademarks of Microchip Technology Incorporated in the U.S.A.

Adjacent Key Suppression, AKS, Analog-for-the-Digital Age, Any Capacitor, AnyIn, AnyOut, BodyCom, CodeGuard, CryptoAuthentication, CryptoAutomotive, CryptoCompanion, CryptoController, dsPICDEM, dsPICDEM.net, Dynamic Average Matching, DAM, ECAN, EtherGREEN, In-Circuit Serial Programming, ICSP, INICnet, Inter-Chip Connectivity, JitterBlocker, KlearNet, KlearNet logo, memBrain, Mindi, MiWi, motorBench, MPASM, MPF, MPLAB Certified logo, MPLIB, MPLINK, MultiTRAK, NetDetach, Omniscient Code Generation, PICDEM, PICDEM.net, PICKit, PICtail, PowerSmart, PureSilicon, QMatrix, REAL ICE, Ripple Blocker, SAM-ICE, Serial Quad I/O, SMART-I.S., SQI, SuperSwitcher, SuperSwitcher II, Total Endurance, TSHARC, USBCheck, VariSense, ViewSpan, WiperLock, Wireless DNA, and ZENA are trademarks of Microchip Technology Incorporated in the U.S.A. and other countries.

SQTP is a service mark of Microchip Technology Incorporated in the U.S.A.

Silicon Storage Technology is a registered trademark of Microchip Technology Inc. in other countries.

GestIC is a registered trademark of Microchip Technology Germany II GmbH & Co. KG, a subsidiary of Microchip Technology Inc., in other countries.

All other trademarks mentioned herein are property of their respective companies.

© 2016-2019, Microchip Technology Incorporated, All Rights Reserved.

ISBN: 978-1-5224-4444-2



MICROCHIP

Worldwide Sales and Service

AMERICAS

Corporate Office
2355 West Chandler Blvd.
Chandler, AZ 85224-6199
Tel: 480-792-7200
Fax: 480-792-7277
Technical Support:
<http://www.microchip.com/support>
Web Address:
www.microchip.com

Atlanta

Duluth, GA
Tel: 678-957-9614
Fax: 678-957-1455

Austin, TX

Tel: 512-257-3370

Boston

Westborough, MA
Tel: 774-760-0087
Fax: 774-760-0088

Chicago

Itasca, IL
Tel: 630-285-0071
Fax: 630-285-0075

Dallas

Addison, TX
Tel: 972-818-7423
Fax: 972-818-2924

Detroit

Novi, MI
Tel: 248-848-4000

Houston, TX

Tel: 281-894-5983

Indianapolis

Noblesville, IN
Tel: 317-773-8323
Fax: 317-773-5453
Tel: 317-536-2380

Los Angeles

Mission Viejo, CA
Tel: 949-462-9523
Fax: 949-462-9608
Tel: 951-273-7800

Raleigh, NC

Tel: 919-844-7510

New York, NY

Tel: 631-435-6000

San Jose, CA

Tel: 408-735-9110
Tel: 408-436-4270

Canada - Toronto

Tel: 905-695-1980
Fax: 905-695-2078

ASIA/PACIFIC

Australia - Sydney
Tel: 61-2-9868-6733

China - Beijing
Tel: 86-10-8569-7000

China - Chengdu
Tel: 86-28-8665-5511

China - Chongqing
Tel: 86-23-8980-9588

China - Dongguan
Tel: 86-769-8702-9880

China - Guangzhou
Tel: 86-20-8755-8029

China - Hangzhou
Tel: 86-571-8792-8115

China - Hong Kong SAR
Tel: 852-2943-5100

China - Nanjing
Tel: 86-25-8473-2460

China - Qingdao
Tel: 86-532-8502-7355

China - Shanghai
Tel: 86-21-3326-8000

China - Shenyang
Tel: 86-24-2334-2829

China - Shenzhen
Tel: 86-755-8864-2200

China - Suzhou
Tel: 86-186-6233-1526

China - Wuhan
Tel: 86-27-5980-5300

China - Xian
Tel: 86-29-8833-7252

China - Xiamen
Tel: 86-592-2388138

China - Zhuhai
Tel: 86-756-3210040

ASIA/PACIFIC

India - Bangalore
Tel: 91-80-3090-4444

India - New Delhi
Tel: 91-11-4160-8631

India - Pune
Tel: 91-20-4121-0141

Japan - Osaka
Tel: 81-6-6152-7160

Japan - Tokyo
Tel: 81-3-6880-3770

Korea - Daegu
Tel: 82-53-744-4301

Korea - Seoul
Tel: 82-2-554-7200

Malaysia - Kuala Lumpur
Tel: 60-3-7651-7906

Malaysia - Penang
Tel: 60-4-227-8870

Philippines - Manila
Tel: 63-2-634-9065

Singapore
Tel: 65-6334-8870

Taiwan - Hsin Chu
Tel: 886-3-577-8366

Taiwan - Kaohsiung
Tel: 886-7-213-7830

Taiwan - Taipei
Tel: 886-2-2508-8600

Thailand - Bangkok
Tel: 66-2-694-1351

Vietnam - Ho Chi Minh
Tel: 84-28-5448-2100

EUROPE

Austria - Wels
Tel: 43-7242-2244-39
Fax: 43-7242-2244-393

Denmark - Copenhagen
Tel: 45-4450-2828
Fax: 45-4485-2829

Finland - Espoo
Tel: 358-9-4520-820

France - Paris
Tel: 33-1-69-53-63-20
Fax: 33-1-69-30-90-79

Germany - Garching
Tel: 49-8931-9700

Germany - Haan
Tel: 49-2129-3766400

Germany - Heilbronn
Tel: 49-7131-67-3636

Germany - Karlsruhe
Tel: 49-721-625370

Germany - Munich
Tel: 49-89-627-144-0
Fax: 49-89-627-144-44

Germany - Rosenheim
Tel: 49-8031-354-560

Israel - Ra'anana
Tel: 972-9-744-7705

Italy - Milan
Tel: 39-0331-742611
Fax: 39-0331-466781

Italy - Padova
Tel: 39-049-7625286

Netherlands - Drunen
Tel: 31-416-690399
Fax: 31-416-690340

Norway - Trondheim
Tel: 47-7288-4388

Poland - Warsaw
Tel: 48-22-3325737

Romania - Bucharest
Tel: 40-21-407-87-50

Spain - Madrid
Tel: 34-91-708-08-90
Fax: 34-91-708-08-91

Sweden - Gothenberg
Tel: 46-31-704-60-40

Sweden - Stockholm
Tel: 46-8-5090-4654

UK - Wokingham
Tel: 44-118-921-5800
Fax: 44-118-921-5820

X-ON Electronics

Largest Supplier of Electrical and Electronic Components

Click to view similar products for [Gate Drivers](#) category:

Click to view products by [Microchip](#) manufacturer:

Other Similar products are found below :

[00053P0231](#) [8967380000](#) [56956](#) [CR7E-30DB-3.96E\(72\)](#) [57.404.7355.5](#) [LT4936](#) [57.904.0755.0](#) [5803-0901](#) [58410](#) [5882900001](#) [00600P0005](#)
[00-9050-LRPP](#) [00-9090-RDPP](#) [5951900000](#) [01-1003W-10/32-15](#) [LTLA6E-1S-WH-RC-FN12VXCR1](#) [0131700000](#) [00-2240](#) [LTP70N06](#)
[LVP640](#) [0158-624-00](#) [5J0-1000LG-SIL](#) [020017-13](#) [LY1D-2-5S-AC120](#) [LY2-0-US-AC120](#) [LY2-US-AC240](#) [LY3-UA-DC24](#) [00-5150](#)
[00576P0020](#) [00600P0010](#) [LZNQ2M-US-DC5](#) [LZNQ2-US-DC12](#) [LZP40N10](#) [00-8196-RDPP](#) [00-8274-RDPP](#) [00-8275-RDNP](#) [00-8609-](#)
[RDPP](#) [00-8722-RDPP](#) [00-8728-WHPP](#) [00-8869-RDPP](#) [00-9051-RDPP](#) [00-9091-LRPP](#) [00-9291-RDPP](#) [0207100000](#) [0207400000](#) [60100564](#)
[01312](#) [0134220000](#) [6035](#) [M15730061](#)