

Low Input Voltage, 160 V_{PP} Output Voltage, EL Driver

Features

- 1.8V to 5.5V DC Input Voltage
- 160 V_{PP} Regulated AC Output Waveform
- Independently Adjustable EL Lamp Frequency
- Independently Adjustable Boost Converter Frequency
- 0.1 μ A Shutdown Current

Applications

- LCD Panel Backlight
- Cellular Phones
- PDAs
- Pagers
- Calculators
- Remote Controls
- Portable Phones

General Description

The MIC4826 is a high output voltage, DC to AC converter, designed for driving EL (Electroluminescent) lamps. The device operates from an input voltage range of 1.8V to 5.5V, making it suitable for 1-cell Li Ion and 2- or 3-cell alkaline/NiCad/NiMH battery applications. The MIC4826 converts a low voltage DC input to a 160 V_{PP} AC output signal that drives the EL lamp.

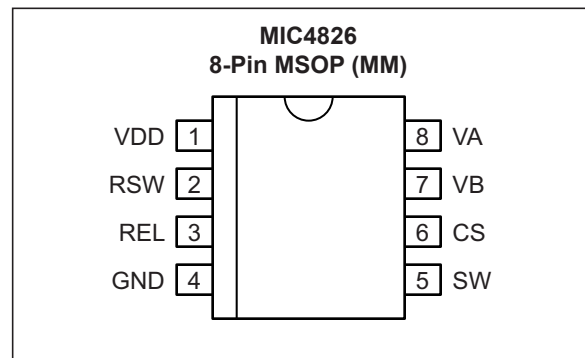
The MIC4826 is comprised of two stages: a boost stage, and an H-bridge, lamp driver, stage. The boost stage steps the input voltage up to +80V. The H-bridge stage then alternately switches the +80V output to each terminal of the EL lamp, thus creating a 160 V_{PP} AC signal to drive the EL lamp and generate light.

The MIC4826 features separate oscillators for the boost and H-bridge stages. External resistors independently set the operating frequency of each stage. This flexibility allows the EL lamp circuit to be optimized for maximum efficiency and brightness.

The MIC4826 uses a single inductor and a minimum number of external components, making it ideal for portable, space sensitive applications.

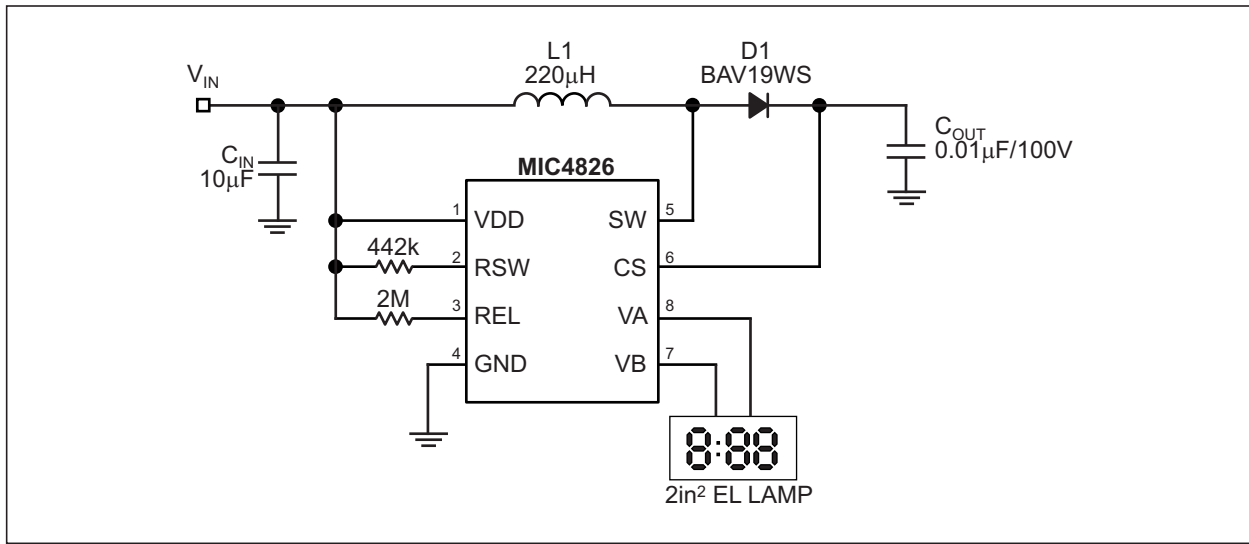
The MIC4826 is available in an 8-pin MSOP package with an ambient temperature range of -40°C to +85°C.

Package Type

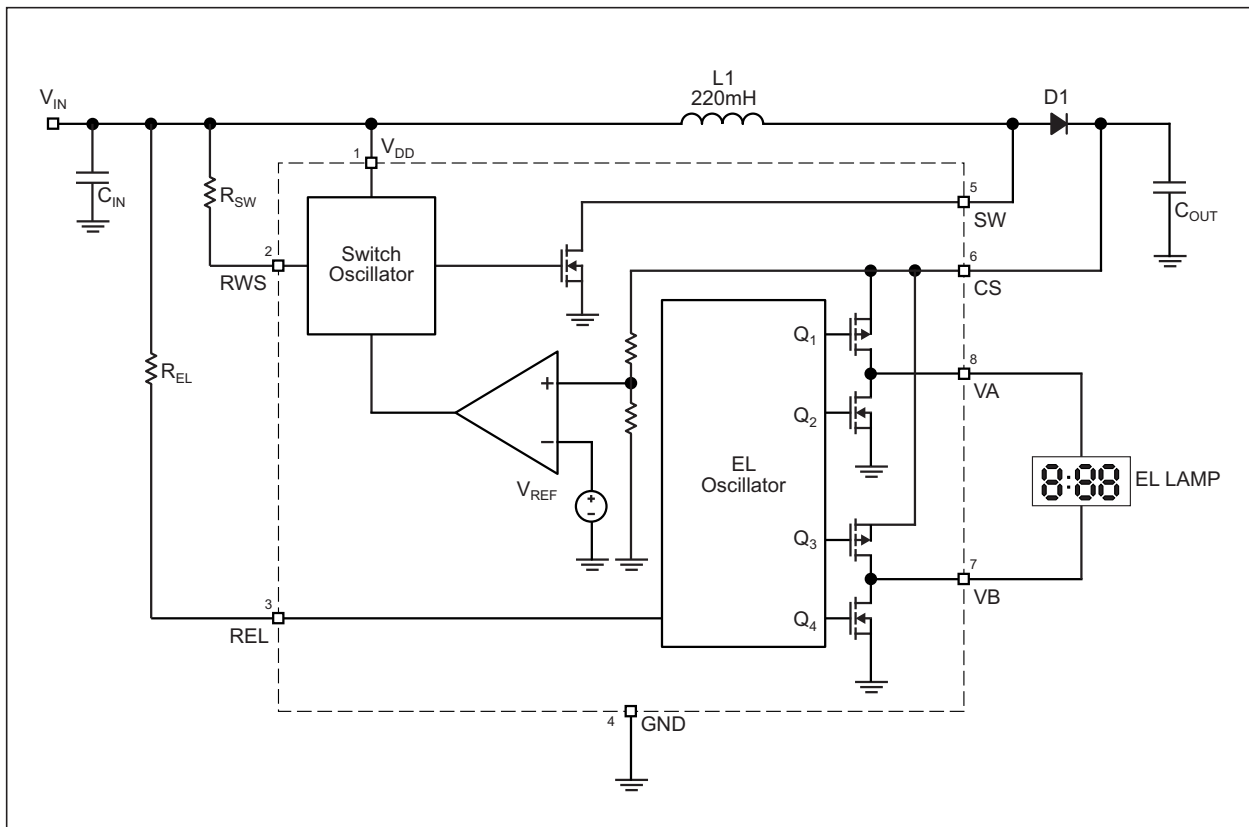


MIC4826

Typical Application Circuit



Functional Block Diagram



1.0 ELECTRICAL CHARACTERISTICS

Absolute Maximum Ratings †

| | |
|---|------------------------------|
| Supply Voltage (V_{DD}) | –0.5V to +6V |
| Output Voltage (V_{CS}) | –0.5V to +100V |
| Frequency Control Voltage (V_{RSW} , V_{REL}) | –0.5V to ($V_{DD} + 0.3V$) |
| Power Dissipation @ $T_A = 85^\circ\text{C}$ | 200 mW |
| Storage Temperature (T_S) | –65°C to +150°C |
| ESD Rating | (Note 1) |

Operating Ratings ‡

| | |
|---|------------------|
| Supply Voltage (V_{DD}) | +1.8V to +5.5V |
| Lamp Drive Frequency (f_{EL}) | 60 Hz to 1000 Hz |
| Switching Transistor Frequency (f_{SW}) | 8 kHz to 200 kHz |
| Ambient Temperature | –40°C to +85°C |
| Package Thermal Resistance ($R_{\theta(JA)}$, 8-Pin MSOP) | 206°C/W |

† **Notice:** Stresses above those listed under “Absolute Maximum Ratings” may cause permanent damage to the device. This is a stress rating only and functional operation of the device at those or any other conditions above those indicated in the operational sections of this specification is not intended. Exposure to maximum rating conditions for extended periods may affect device reliability. Specifications are for packaged product only.

‡ **Notice:** The device is not guaranteed to function outside its operating ratings.

Note 1: Devices are ESD sensitive. Handling precautions are recommended.

ELECTRICAL CHARACTERISTICS

Electrical Characteristics: $V_{IN} = V_{DD} = 3.0V$, $R_{SW} = 560\text{ k}\Omega$, $R_{EL} = 1.0\text{ M}\Omega$, $T_A = 25^\circ\text{C}$ unless otherwise noted. **Bold** values indicate $-40^\circ\text{C} \leq T_A \leq +85^\circ\text{C}$.

| Parameter | Symbol | Min. | Typ. | Max. | Units | Conditions |
|--|--------------|----------------|------|------------|---------------|--|
| On-Resistance of Switching Transistor | $R_{DS(ON)}$ | — | 3.8 | 7.0 | Ω | $I_{SW} = 100\text{ mA}$, $V_{CS} = 75V$ |
| Output Voltage Regulation | V_{CS} | 75 | 80 | 85 | V | $V_{DD} = 1.8V$ to $5.5V$ |
| | | 73 | — | 87 | V | — |
| Output Peak-to-Peak Voltage | $V_A - V_B$ | 150 | 160 | 170 | V | $V_{DD} = 1.8V$ to $5.5V$ |
| | | 146 | — | 174 | V | — |
| Input Low Voltage (Turn Off) | V_{EN-L} | — | — | 0.5 | V | $V_{DD} = 1.8V$ to $5.5V$ |
| Input High Voltage (Turn On) | V_{EN-H} | $V_{DD} - 0.5$ | — | — | V | $V_{DD} = 1.8V$ to $5.5V$ |
| Shutdown Current (Note 2) | I_{SD} | — | 0.01 | 0.1 | μA | $R_{SW} = \text{LOW}$; $R_{EL} = \text{LOW}$ $V_{DD} = 5.5V$ |
| | | | — | 0.5 | | |
| Input Supply Current | I_{VDD} | — | 21 | 75 | μA | $R_{SW} = \text{HIGH}$; $R_{EL} = \text{HIGH}$ $V_{CS} = 75V$; V_A , V_B OPEN |
| Boosted Supply Current | I_{CS} | — | 200 | 400 | μA | $R_{SW} = \text{HIGH}$; $R_{EL} = \text{HIGH}$ $V_{CS} = 75V$; V_A , V_B OPEN |
| Input Current Including Inductor Current | I_{IN} | — | 28 | — | mA | $V_{IN} = V_{DD} = 1.8V$. See (Figure 1-1) |
| $V_A - V_B$ Output Drive Frequency | f_{EL} | 285 | 360 | 435 | Hz | — |
| Switching Transistor Frequency | f_{SW} | 53 | 66 | 79 | kHz | — |
| Switching Transistor Duty Cycle | D | — | 90 | — | % | — |

Note 1: Specification for packaged product only.

2: Shutdown current is defined as the sum of current going into pin 1, 5, and 6 when the device is disabled.

MIC4826

TEMPERATURE SPECIFICATIONS (Note 1)

| Parameters | Sym. | Min. | Typ. | Max. | Units | Conditions |
|------------------------------------|---------------|------|------|------|-------|------------|
| Temperature Ranges | | | | | | |
| Storage Temperature Range | T_S | -65 | — | +150 | °C | — |
| Ambient Temperature | T_A | -40 | — | +85 | °C | — |
| Package Thermal Resistances | | | | | | |
| Thermal Resistance 8-Pin MSOP | θ_{JA} | — | 206 | — | °C/W | — |

Note 1: The maximum allowable power dissipation is a function of ambient temperature, the maximum allowable junction temperature and the thermal resistance from junction to air (i.e., T_A , T_J , θ_{JA}).

Test Circuit

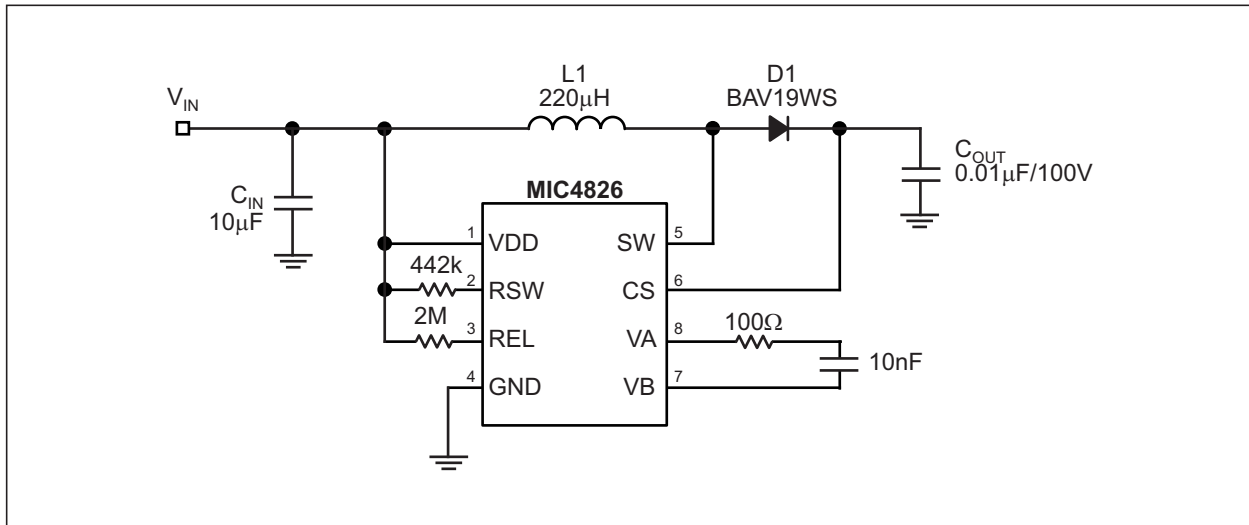


FIGURE 1-1: MIC4826 Test Circuit.

2.0 TYPICAL PERFORMANCE CURVES

Note: The graphs and tables provided following this note are a statistical summary based on a limited number of samples and are provided for informational purposes only. The performance characteristics listed herein are not tested or guaranteed. In some graphs or tables, the data presented may be outside the specified operating range (e.g., outside specified power supply range) and therefore outside the warranted range.

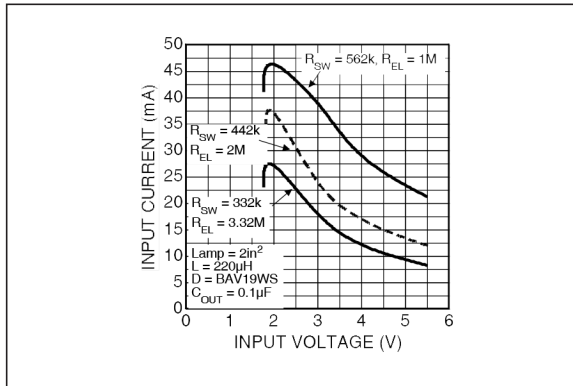


FIGURE 2-1: Total Input Current vs. Input Voltage.

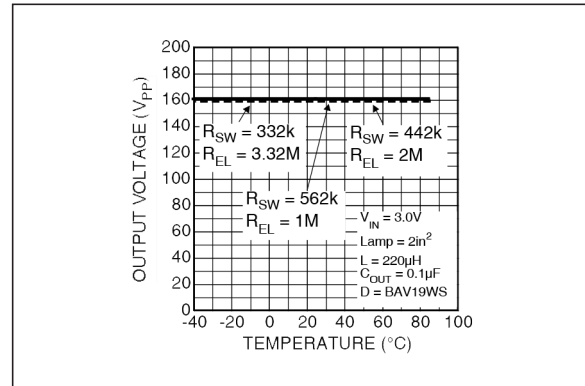


FIGURE 2-4: Output Voltage vs. Temperature.

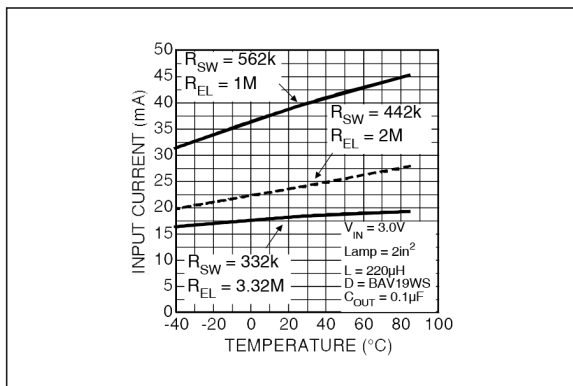


FIGURE 2-2: Total Input Current vs. Temperature.

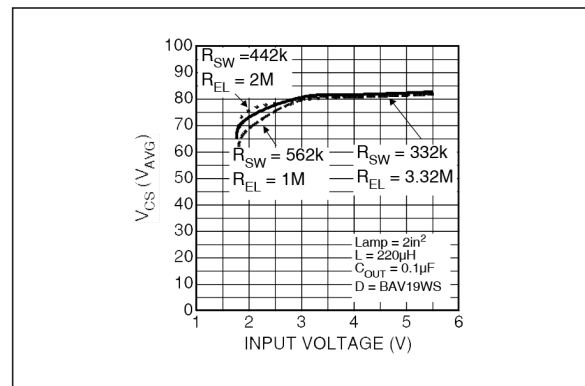


FIGURE 2-5: CS Voltage vs. Input Voltage.

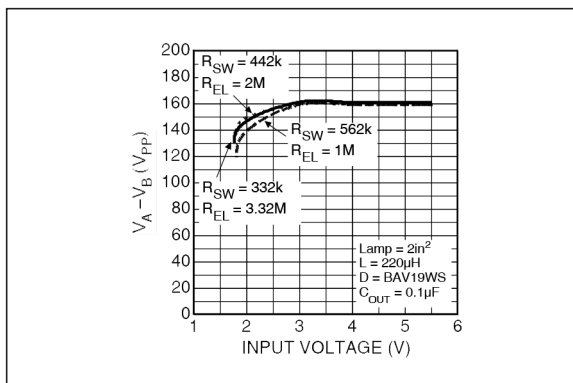


FIGURE 2-3: Output Voltage vs. Input Voltage.

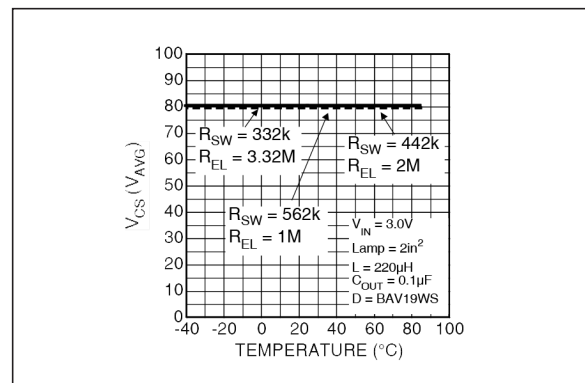


FIGURE 2-6: CS Voltage vs. Temperature.

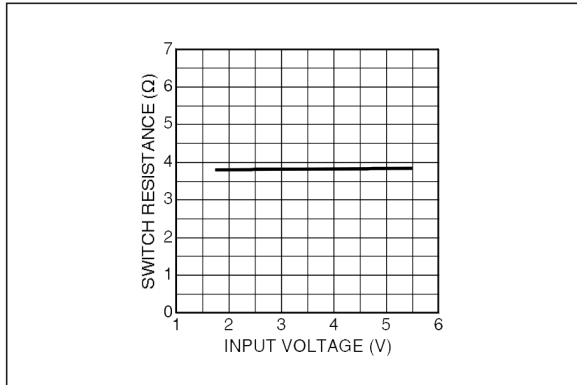


FIGURE 2-7: Switch Resistance vs. Input Voltage.

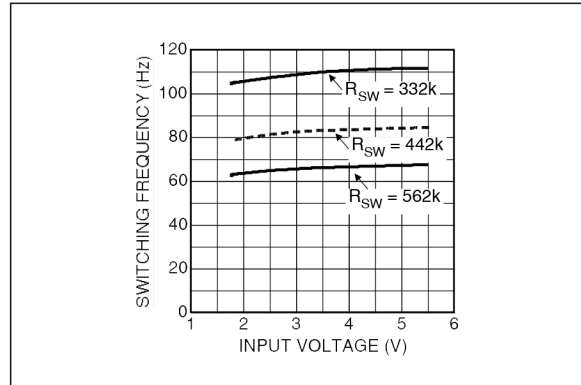


FIGURE 2-10: Switching Frequency vs. Input Voltage.

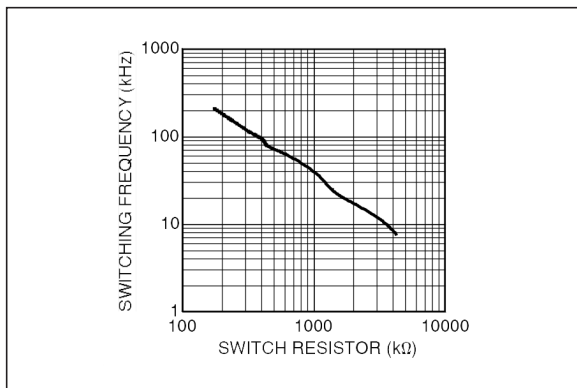


FIGURE 2-8: Switching Frequency vs. Switch Resistor.

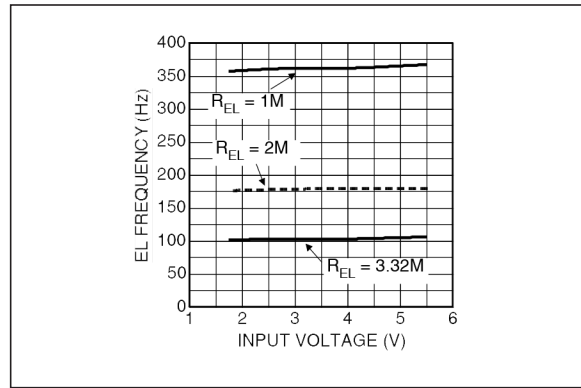


FIGURE 2-11: EL Frequency vs. Input Voltage.

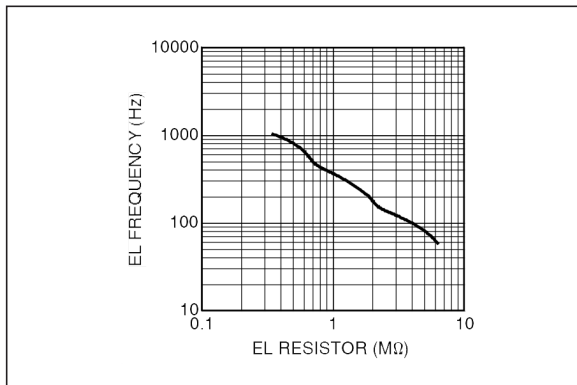


FIGURE 2-9: EL Frequency vs. EL Resistor.

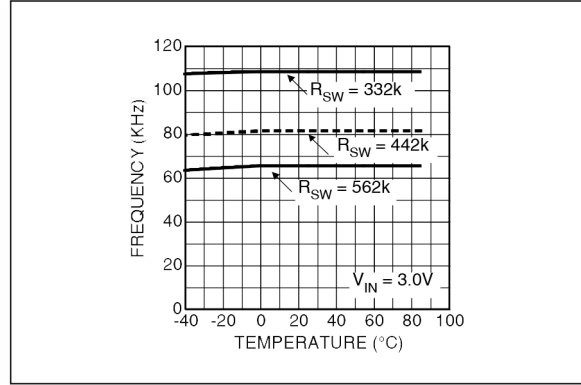


FIGURE 2-12: Switching Frequency vs. Temperature.

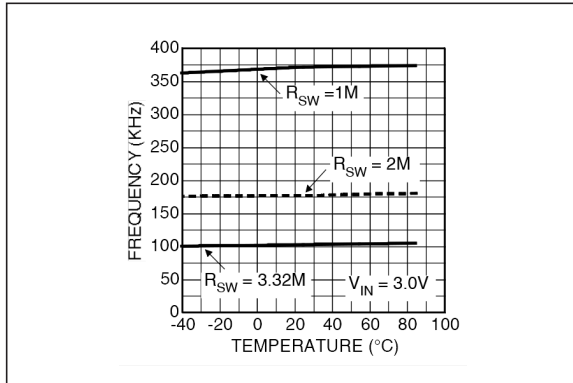


FIGURE 2-13: EL Frequency vs. Temperature.

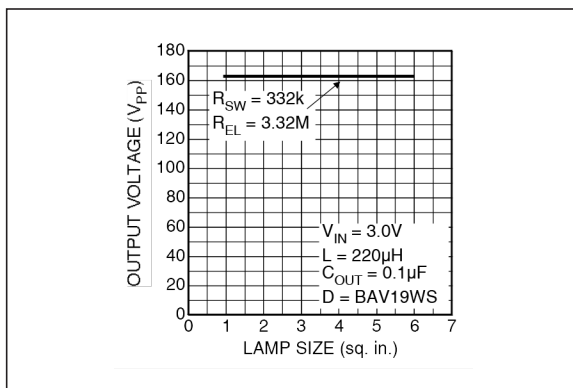


FIGURE 2-14: Output Voltage vs. Lamp Size.

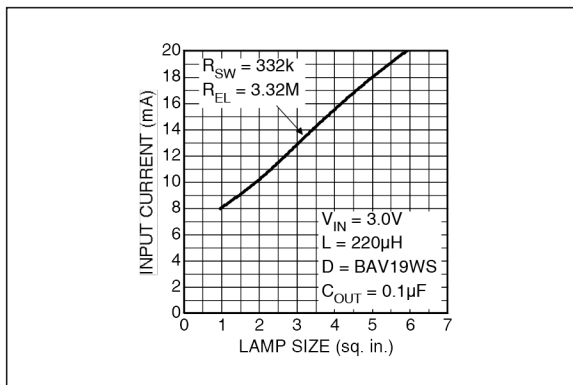


FIGURE 2-15: Total Input Current vs. Lamp Size.

MIC4826

3.0 PIN DESCRIPTIONS

The descriptions of the pins are listed in [Table 3-1](#).

TABLE 3-1: PIN FUNCTION TABLE

| Pin Number | Pin Name | Description |
|------------|----------|--|
| 1 | VDD | Supply (Input): 1.8V to 5.5V for internal circuitry. |
| 2 | RSW | Switch Resistor (External Component): Set switch frequency of the internal power MOSFET by connecting an external resistor to V_{DD} . Connecting the external resistor to GND disables the switch oscillator and shutdown the device. |
| 3 | REL | EL Resistor (External Component): Set EL frequency of the internal H-bridge driver by connecting an external resistor to V_{DD} . Connecting the external resistor to GND disables the EL oscillator. |
| 4 | GND | Ground return. |
| 5 | SW | Switch Node (Input): Internal high voltage power MOSFET drain. |
| 6 | CS | Regulated Boost Output (External Component): Connect to the output capacitor of the boost regulator and connect to the cathode of the diode. |
| 7 | VB | EL Output: Connect to one end of the EL lamp. Polarity is not important. |
| 8 | VA | EL Output: Connect to the other end of the EL lamp. Polarity is not important. |

4.0 FUNCTIONAL DESCRIPTION

See [Section 5.0, Application Information](#) for component selection and pre-designed circuits.

4.1 Overview

The MIC4826 is a high voltage EL driver with an AC output voltage of 160V peak-to-peak capable of driving EL lamps up to 6 in². Input supply current for the MIC4826 is typically 21 μ A with a typical shutdown current of 10 nA. The high voltage EL driver has two internal oscillators to control the switching MOSFET and the H-bridge driver. Both of the internal oscillators' frequencies can be individually programmed through the external resistors to maximize the efficiency and the brightness of the lamps.

4.2 Regulation

Referring to [Figure 4-1](#), initially power is applied to V_{DD}. The internal feedback voltage is less than the reference voltage causing the internal comparator to go low which enables the switching MOSFET's oscillator. When the switching MOSFET turns on, current flows through the inductor and into the switch. The switching MOSFET will typically turn on for 90% of the switching frequency. During the on time, energy is stored in the inductor. When the switching MOSFET turns off, current flowing into the inductor forces the voltage across the inductor to reverse polarity. The voltage across the inductor rises until the external diode conducts and clamps the voltage at V_{OUT}+V_{D1}. The energy in the inductor is then discharged into the C_{OUT} capacitor. The internal comparator continues to turn the switching MOSFET on and off until the internal feedback voltage is above the reference voltage. Once the internal feedback voltage is above the reference voltage, the internal comparator turns off the switching MOSFET's oscillator.

When the EL oscillator is enabled, V_A and V_B switch in opposite states to achieve a 160V peak-to-peak AC output signal. The external resistor that connects to the REL pin determines the EL frequency.

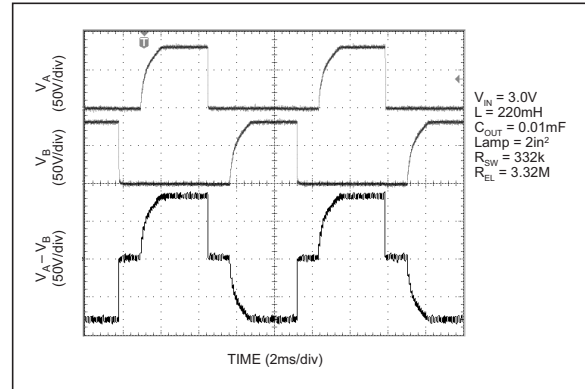


FIGURE 4-1: 108 Hz Typical Output Waveform.

4.3 Switching Frequency

The switching frequency of the converter is controlled via an external resistor between R_{SW} pin and V_{DD} pin of the device. The switching frequency increases as the resistor value decreases. For resistor value selections, see [Figure 2-8](#) or use equation [Equation 4-1](#). The switching frequency range is 8 kHz to 200 kHz, with an accuracy of $\pm 20\%$.

EQUATION 4-1:

$$f_{SW}(kHz) = \frac{36}{R_{SW}(M\Omega)}$$

4.4 EL Frequency

The EL lamp frequency is controlled via an external resistor connected between REL pin and V_{DD} pin of the device. As the lamp frequency increases, the resistor value decreases. For resistor value selections, see [Figure 2-9](#) or use equation [Equation 4-2](#). The EL frequency range is 60 Hz to 1000 Hz, with an accuracy of $\pm 20\%$.

EQUATION 4-2:

$$f_{EL}(Hz) = \frac{360}{R_{EL}(M\Omega)}$$

MIC4826

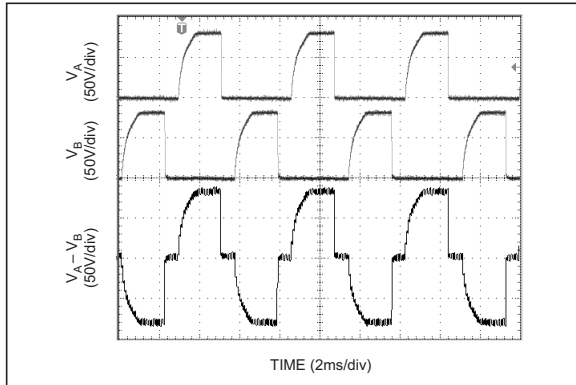


FIGURE 4-2: 180 Hz Output Waveform.

In general, as the EL lamp frequency increases, the amount of current drawn from the battery will increase. The color of the EL lamp and the intensity are dependent upon its frequency.

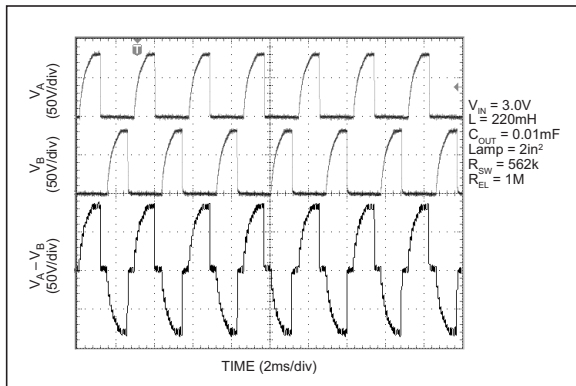


FIGURE 4-3: 360 Hz Output Waveform.

4.5 Enable Function

The enable function of the MIC4826 is implemented by switching the R_{SW} and R_{EL} resistor between ground and V_{DD} . When R_{SW} and R_{EL} are connected to ground, the switch and the EL oscillators are disabled; therefore the EL driver becomes disabled. When these resistors connect to V_{DD} , both oscillators will function and the EL driver is enabled.

5.0 APPLICATION INFORMATION

5.1 Inductor

In general, smaller value inductors, which can handle more current, are more suitable to drive larger size lamps. As the inductor value decreases, the switching frequency (controlled by R_{SW}) should be increased to avoid saturation or the input voltage should be increased. Typically, inductor values ranging from 220 μ H to 560 μ H can be used. Murata offers the LQH3C series up to 560 μ H and LQH4C series up to 470 μ H, with low DC resistance. A 220 μ H Murata (LQH4C221K04) inductor is recommended for driving a lamp size of 3 square inches. It has a maximum DC resistance of 4.0 Ω .

5.2 Diode

The diode must have a high reverse voltage (100V) since the output voltage at the CS pin can reach up to 100V. A fast switching diode with lower forward voltage and higher reverse voltage (100V), such as BAV19WS, can be used to enhance efficiency.

5.3 Output Capacitor

Low ESR capacitors should be used at the regulated boost output (CS pin) of the MIC4826 to minimize the switching output ripple voltage. Selection of the capacitor value will depend upon the peak inductor current, inductor size, and the load. MuRata offers the GRM40 series with up to 0.015 μ F at 100V, with a X7R temperature coefficient in 0805 surface mount package. Typically, values ranging from 0.01 μ F to 0.1 μ F at 100V can be used for the regulated boost output capacitor.

5.4 Pre-Designed Application Circuits

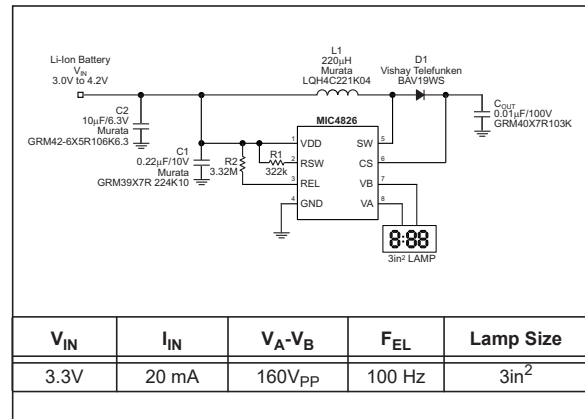


FIGURE 5-1: 100 Hz EL Driver for 3in² Lamp.

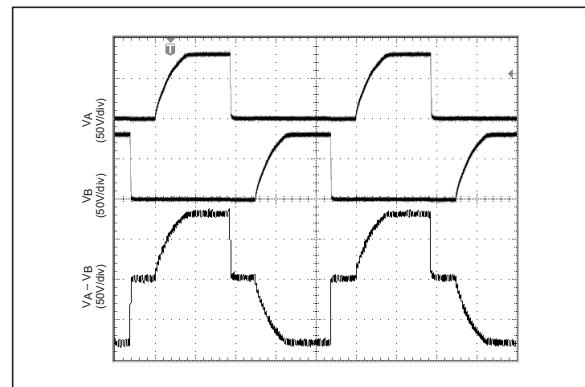


FIGURE 5-2: Typical Characteristics for 100 Hz EL Driver for 3in² Lamp.

MIC4826

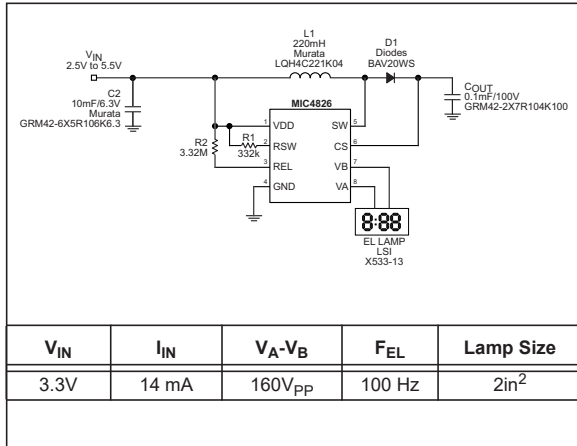


FIGURE 5-3: 100 Hz EL Driver for 2in² Lamp.

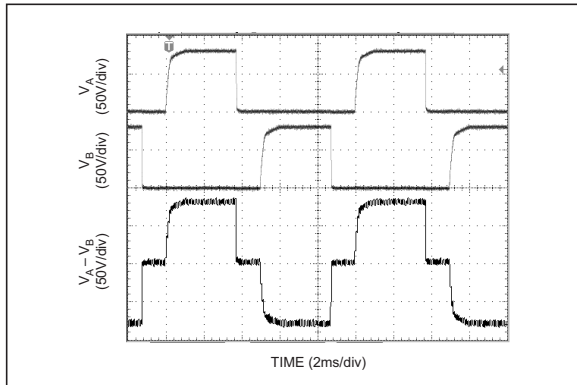


FIGURE 5-4: Typical Characteristics for EL Driver for 2in² Lamp with $C_S = 0.1 \mu\text{F}$.

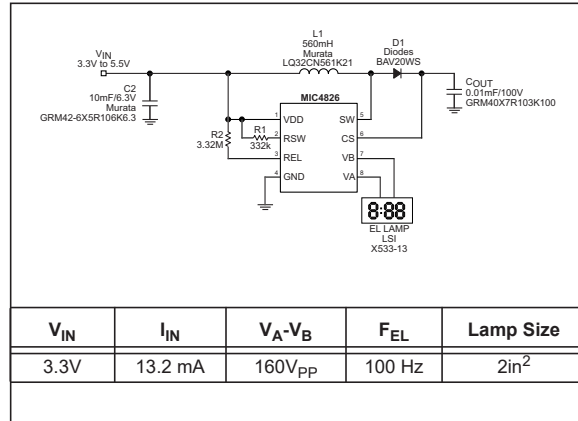


FIGURE 5-5: EL Driver for 2in² Lamp with 560 μF .

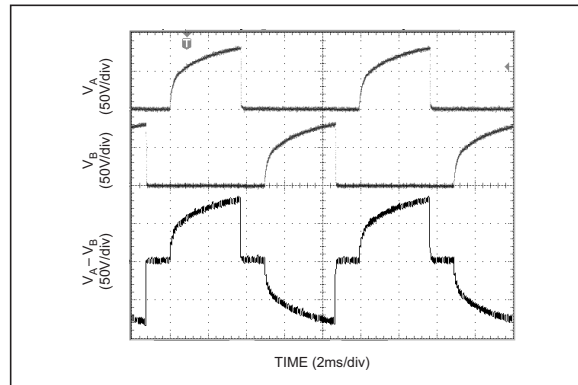


FIGURE 5-6: Typical Characteristics for EL Driver for 2in² Lamp with 560 μH Inductor.

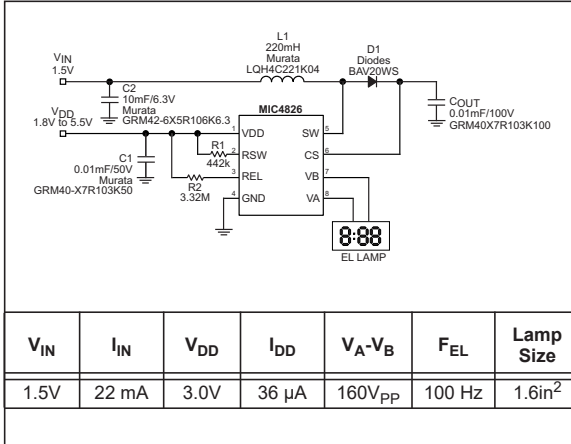


FIGURE 5-7: Typical for Split Power Supplies Applications.

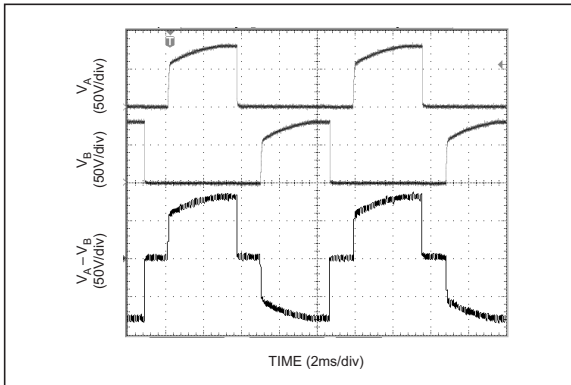


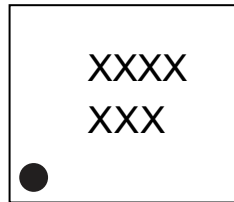
FIGURE 5-8: Typical Characteristics for Split Power Supplies Applications.

MIC4826

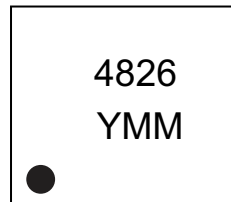
6.0 PACKAGING INFORMATION

6.1 Package Marking Information

8-Lead MSOP*



Example



| | | |
|----------------|--|--|
| Legend: | XX...X | Product code or customer-specific information |
| | Y | Year code (last digit of calendar year) |
| | YY | Year code (last 2 digits of calendar year) |
| | WW | Week code (week of January 1 is week '01') |
| | NNN | Alphanumeric traceability code |
| | (e3) | Pb-free JEDEC® designator for Matte Tin (Sn) |
| | * | This package is Pb-free. The Pb-free JEDEC designator (e3) can be found on the outer packaging for this package. |
| | •, ▲, ▼ | Pin one index is identified by a dot, delta up, or delta down (triangle mark). |
| Note: | In the event the full Microchip part number cannot be marked on one line, it will be carried over to the next line, thus limiting the number of available characters for customer-specific information. Package may or may not include the corporate logo. | |
| | Underbar (¯) and/or Overbar (¯) symbol may not be to scale. | |

MIC4826

NOTES:

APPENDIX A: REVISION HISTORY

Revision A (January 2019)

- Converted Micrel document MIC4826 to Microchip data sheet DS20006134A.
- Minor text changes throughout.

MIC4826

NOTES:

PRODUCT IDENTIFICATION SYSTEM

To order or obtain information, e.g., on pricing or delivery, contact your local Microchip representative or sales office.

| <u>PART NO.</u> | <u>X</u> | <u>XX</u> | <u>-XX</u> |
|--|---|----------------------------------|--|
| Device | Junction Temperature Range | Package | Media Type |
| Device: MIC4826: Low Input Voltage, 160 V _{PP} Output Voltage, EL Driver | Junction Temperature Range: Y = -40°C to +85°C | Package: MM = 8-Lead MSOP | Media Type: Blank = 100/Tube TR = 2,500/Reel |

Examples:

- a) MIC4826YMM: Low Input Voltage, 160 V_{PP} Output Voltage, EL Driver, -40°C to +85°C Temperature Range, 8-Lead MSOP Package, 100/Tube
- b) MIC4826YMM-TR: Low Input Voltage, 160 V_{PP} Output Voltage, EL Driver, -40°C to +85°C Temperature Range, 8-Lead MSOP Package, 2,500/Reel

Note 1: Tape and Reel identifier only appears in the catalog part number description. This identifier is used for ordering purposes and is not printed on the device package. Check with your Microchip Sales Office for package availability with the Tape and Reel option.

MIC4826

NOTES:

Note the following details of the code protection feature on Microchip devices:

- Microchip products meet the specification contained in their particular Microchip Data Sheet.
- Microchip believes that its family of products is one of the most secure families of its kind on the market today, when used in the intended manner and under normal conditions.
- There are dishonest and possibly illegal methods used to breach the code protection feature. All of these methods, to our knowledge, require using the Microchip products in a manner outside the operating specifications contained in Microchip's Data Sheets. Most likely, the person doing so is engaged in theft of intellectual property.
- Microchip is willing to work with the customer who is concerned about the integrity of their code.
- Neither Microchip nor any other semiconductor manufacturer can guarantee the security of their code. Code protection does not mean that we are guaranteeing the product as “unbreakable.”

Code protection is constantly evolving. We at Microchip are committed to continuously improving the code protection features of our products. Attempts to break Microchip's code protection feature may be a violation of the Digital Millennium Copyright Act. If such acts allow unauthorized access to your software or other copyrighted work, you may have a right to sue for relief under that Act.

Information contained in this publication regarding device applications and the like is provided only for your convenience and may be superseded by updates. It is your responsibility to ensure that your application meets with your specifications. MICROCHIP MAKES NO REPRESENTATIONS OR WARRANTIES OF ANY KIND WHETHER EXPRESS OR IMPLIED, WRITTEN OR ORAL, STATUTORY OR OTHERWISE, RELATED TO THE INFORMATION, INCLUDING BUT NOT LIMITED TO ITS CONDITION, QUALITY, PERFORMANCE, MERCHANTABILITY OR FITNESS FOR PURPOSE. Microchip disclaims all liability arising from this information and its use. Use of Microchip devices in life support and/or safety applications is entirely at the buyer's risk, and the buyer agrees to defend, indemnify and hold harmless Microchip from any and all damages, claims, suits, or expenses resulting from such use. No licenses are conveyed, implicitly or otherwise, under any Microchip intellectual property rights unless otherwise stated.

Microchip received ISO/TS-16949:2009 certification for its worldwide headquarters, design and wafer fabrication facilities in Chandler and Tempe, Arizona; Gresham, Oregon and design centers in California and India. The Company's quality system processes and procedures are for its PIC® MCUs and dsPIC® DSCs, KEELoq® code hopping devices, Serial EEPROMs, microperipherals, nonvolatile memory and analog products. In addition, Microchip's quality system for the design and manufacture of development systems is ISO 9001:2000 certified.

**QUALITY MANAGEMENT SYSTEM
CERTIFIED BY DNV
= ISO/TS 16949 =**

Trademarks

The Microchip name and logo, the Microchip logo, AnyRate, AVR, AVR logo, AVR Freaks, BitCloud, chipKIT, chipKIT logo, CryptoMemory, CryptoRF, dsPIC, FlashFlex, flexPWR, Heldo, JukeBlox, KeeLoq, Kleer, LANCheck, LINK MD, maXStylus, maXTouch, MediaLB, megaAVR, MOST, MOST logo, MPLAB, OptoLyzer, PIC, picoPower, PICSTART, PIC32 logo, Prochip Designer, QTouch, SAM-BA, SpyNIC, SST, SST Logo, SuperFlash, tinyAVR, UNI/O, and XMEGA are registered trademarks of Microchip Technology Incorporated in the U.S.A. and other countries.

ClockWorks, The Embedded Control Solutions Company, EtherSynch, Hyper Speed Control, HyperLight Load, IntellIMOS, mTouch, Precision Edge, and Quiet-Wire are registered trademarks of Microchip Technology Incorporated in the U.S.A.

Adjacent Key Suppression, AKS, Analog-for-the-Digital Age, Any Capacitor, AnyIn, AnyOut, BodyCom, CodeGuard, CryptoAuthentication, CryptoAutomotive, CryptoCompanion, CryptoController, dsPICDEM, dsPICDEM.net, Dynamic Average Matching, DAM, ECAN, EtherGREEN, In-Circuit Serial Programming, ICSP, INICnet, Inter-Chip Connectivity, JitterBlocker, KleerNet, KleerNet logo, memBrain, Mindi, MiWi, motorBench, MPASM, MPF, MPLAB Certified logo, MPLIB, MPLINK, MultiTRAK, NetDetach, Omniscient Code Generation, PICDEM, PICDEM.net, PICKit, PICtail, PowerSmart, PureSilicon, QMatrix, REAL ICE, Ripple Blocker, SAM-ICE, Serial Quad I/O, SMART-I.S., SQI, SuperSwitcher, SuperSwitcher II, Total Endurance, TSHARC, USBCheck, VariSense, ViewSpan, WiperLock, Wireless DNA, and ZENA are trademarks of Microchip Technology Incorporated in the U.S.A. and other countries.

SQTP is a service mark of Microchip Technology Incorporated in the U.S.A.

Silicon Storage Technology is a registered trademark of Microchip Technology Inc. in other countries.

GestIC is a registered trademark of Microchip Technology Germany II GmbH & Co. KG, a subsidiary of Microchip Technology Inc., in other countries.

All other trademarks mentioned herein are property of their respective companies.

© 2018, Microchip Technology Incorporated, All Rights Reserved.
ISBN: 978-1-5224-4047-5



MICROCHIP

Worldwide Sales and Service

AMERICAS

Corporate Office
2355 West Chandler Blvd.
Chandler, AZ 85224-6199
Tel: 480-792-7200
Fax: 480-792-7277
Technical Support:
<http://www.microchip.com/support>
Web Address:
www.microchip.com

Atlanta
Duluth, GA
Tel: 678-957-9614
Fax: 678-957-1455

Austin, TX
Tel: 512-257-3370

Boston
Westborough, MA
Tel: 774-760-0087
Fax: 774-760-0088

Chicago
Itasca, IL
Tel: 630-285-0071
Fax: 630-285-0075

Dallas
Addison, TX
Tel: 972-818-7423
Fax: 972-818-2924

Detroit
Novi, MI
Tel: 248-848-4000

Houston, TX
Tel: 281-894-5983

Indianapolis
Noblesville, IN
Tel: 317-773-8323
Fax: 317-773-5453
Tel: 317-536-2380

Los Angeles
Mission Viejo, CA
Tel: 949-462-9523
Fax: 949-462-9608
Tel: 951-273-7800

Raleigh, NC
Tel: 919-844-7510

New York, NY
Tel: 631-435-6000

San Jose, CA
Tel: 408-735-9110
Tel: 408-436-4270

Canada - Toronto
Tel: 905-695-1980
Fax: 905-695-2078

ASIA/PACIFIC

Australia - Sydney
Tel: 61-2-9868-6733

China - Beijing
Tel: 86-10-8569-7000

China - Chengdu
Tel: 86-28-8665-5511

China - Chongqing
Tel: 86-23-8980-9588

China - Dongguan
Tel: 86-769-8702-9880

China - Guangzhou
Tel: 86-20-8755-8029

China - Hangzhou
Tel: 86-571-8792-8115

China - Hong Kong SAR
Tel: 852-2943-5100

China - Nanjing
Tel: 86-25-8473-2460

China - Qingdao
Tel: 86-532-8502-7355

China - Shanghai
Tel: 86-21-3326-8000

China - Shenyang
Tel: 86-24-2334-2829

China - Shenzhen
Tel: 86-755-8864-2200

China - Suzhou
Tel: 86-186-6233-1526

China - Wuhan
Tel: 86-27-5980-5300

China - Xian
Tel: 86-29-8833-7252

China - Xiamen
Tel: 86-592-2388138

China - Zhuhai
Tel: 86-756-3210040

ASIA/PACIFIC

India - Bangalore
Tel: 91-80-3090-4444

India - New Delhi
Tel: 91-11-4160-8631

India - Pune
Tel: 91-20-4121-0141

Japan - Osaka
Tel: 81-6-6152-7160

Japan - Tokyo
Tel: 81-3-6880-3770

Korea - Daegu
Tel: 82-53-744-4301

Korea - Seoul
Tel: 82-2-554-7200

Malaysia - Kuala Lumpur
Tel: 60-3-7651-7906

Malaysia - Penang
Tel: 60-4-227-8870

Philippines - Manila
Tel: 63-2-634-9065

Singapore
Tel: 65-6334-8870

Taiwan - Hsin Chu
Tel: 886-3-577-8366

Taiwan - Kaohsiung
Tel: 886-7-213-7830

Taiwan - Taipei
Tel: 886-2-2508-8600

Thailand - Bangkok
Tel: 66-2-694-1351

Vietnam - Ho Chi Minh
Tel: 84-28-5448-2100

EUROPE

Austria - Wels
Tel: 43-7242-2244-39
Fax: 43-7242-2244-393

Denmark - Copenhagen
Tel: 45-4450-2828
Fax: 45-4485-2829

Finland - Espoo
Tel: 358-9-4520-820

France - Paris
Tel: 33-1-69-53-63-20
Fax: 33-1-69-30-90-79

Germany - Garching
Tel: 49-8931-9700

Germany - Haan
Tel: 49-2129-3766400

Germany - Heilbronn
Tel: 49-7131-67-3636

Germany - Karlsruhe
Tel: 49-721-625370

Germany - Munich
Tel: 49-89-627-144-0
Fax: 49-89-627-144-44

Germany - Rosenheim
Tel: 49-8031-354-560

Israel - Ra'anana
Tel: 972-9-744-7705

Italy - Milan
Tel: 39-0331-742611
Fax: 39-0331-466781

Italy - Padova
Tel: 39-049-7625286

Netherlands - Drunen
Tel: 31-416-690399
Fax: 31-416-690340

Norway - Trondheim
Tel: 47-7288-4388

Poland - Warsaw
Tel: 48-22-3325737

Romania - Bucharest
Tel: 40-21-407-87-50

Spain - Madrid
Tel: 34-91-708-08-90
Fax: 34-91-708-08-91

Sweden - Gothenberg
Tel: 46-31-704-60-40

Sweden - Stockholm
Tel: 46-8-5090-4654

UK - Wokingham
Tel: 44-118-921-5800
Fax: 44-118-921-5820

X-ON Electronics

Largest Supplier of Electrical and Electronic Components

Click to view similar products for [LED Lighting Drivers](#) category:

Click to view products by [Microchip](#) manufacturer:

Other Similar products are found below :

[LV5235V-MPB-H](#) [MB39C602PNF-G-JNEFE1](#) [MIC2871YMK-T5](#) [AL1676-10BS7-13](#) [AL1676-20AS7-13](#) [AP5726WUG-7](#) [MX877RTR](#)
[ICL8201](#) [IS31BL3228B-UTLS2-TR](#) [IS31BL3506B-TTLS2-TR](#) [AL3157F-7](#) [AP5725FDCG-7](#) [AP5726FDCG-7](#) [LV52204MTTBG](#)
[AP5725WUG-7](#) [STP4CMPQTR](#) [NCL30086BDR2G](#) [CAT4004BHU2-GT3](#) [LV52207AXA-VH](#) [AP1694AS-13](#) [TLE4242EJ](#) [AS3688](#)
[IS31LT3172-GRLS4-TR](#) [TLD2311EL](#) [KTD2694EDQ-TR](#) [KTZ8864EJAA-TR](#) [IS32LT3174-GRLA3-TR](#) [ZXLD1374QESTTC](#) [MP2488DN-](#)
[LF-Z](#) [NLM0010XTSA1](#) [AL1676-20BS7-13](#) [MPQ7220GF-AEC1-P](#) [MPQ4425BGJ-AEC1-P](#) [MPQ7220GF-AEC1-Z](#) [MPQ4425BGJ-AEC1-Z](#)
[IS31FL3737B-QFLS4-TR](#) [IS31FL3239-QFLS4-TR](#) [KTD2058EUAC-TR](#) [KTD2037EWE-TR](#) [DIO5662ST6](#) [IS31BL3508A-TTLS2-TR](#)
[MAX20052CATC/V+](#) [MAX25606AUP/V+](#) [BD6586MUV-E2](#) [BD9206EFV-E2](#) [BD9416FS-E2](#) [LYT4227E](#) [LYT6079C-TL](#) [MP3394SGF-P](#)
[MP4689AGN-P](#)