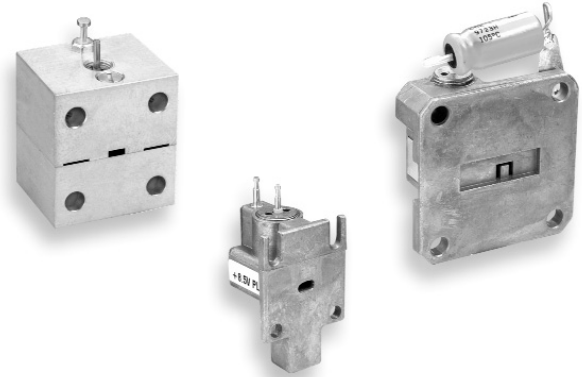


Features

- Low Cost
- Small Size
- Low Power Consumption
- High-Volume Design
- Pulsed DC Input Voltage Available

Applications

- Speed Radar
- Intrusion Alarm Systems
- Braking Systems
- Industrial Measurement
- Level Sensing



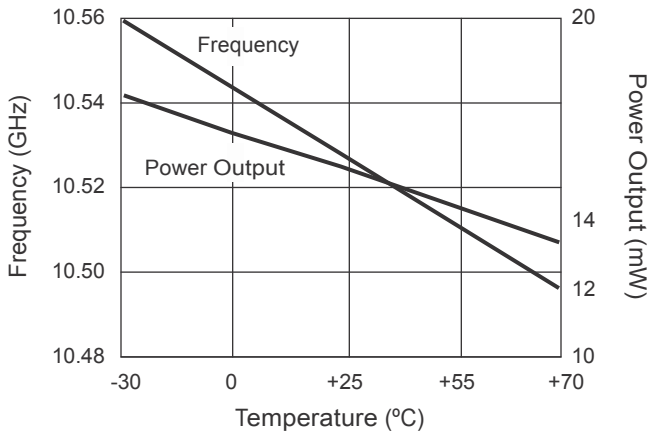
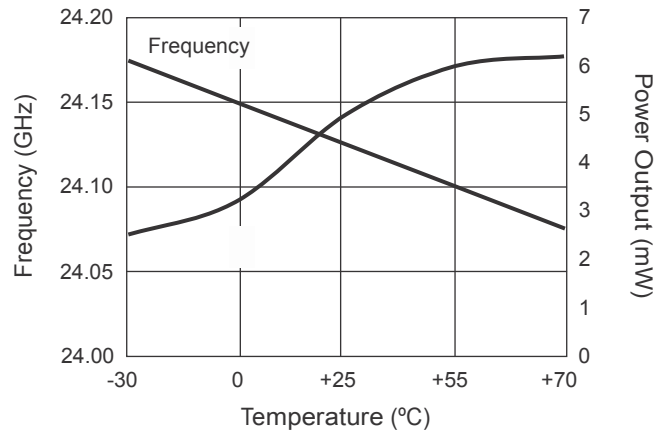
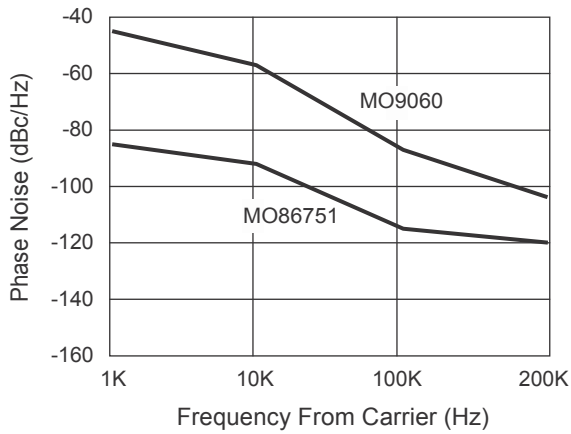
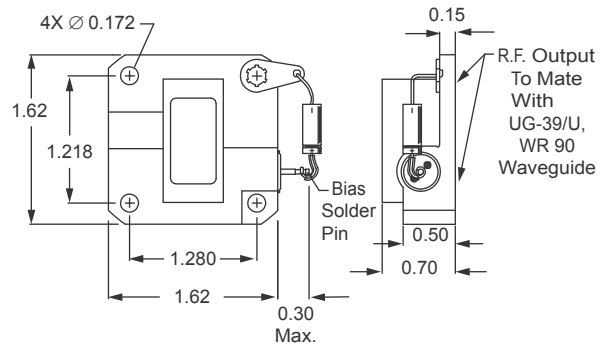
Description

Microsemi's waveguide output Gunn oscillators are an inexpensive and reliable source of microwave power. The oscillators are designed to suppress spurious signal and harmonic frequencies. Their low-power consumption makes them very useful as local oscillators in microwave receivers.

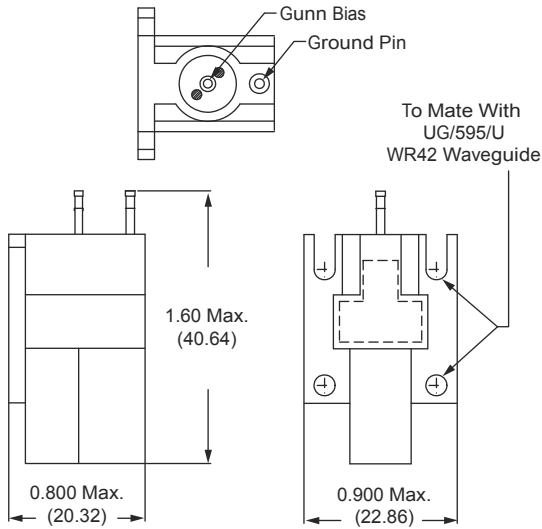
Specifications @ 25°C

Part Number	Operating Frequency (GHz)	Output Power (mW)	Typ. Frequency Drift/Temperature (KHz/°C)	Typ. Operating Voltage (V _{DC})	Max. Operating Current (mA)
<i>X Band Oscillators</i>					
MO86751A	10.525	10 Min.	350	8.5	200
MO86751B	10.525	25 Min.	350	+9.0 to +10.0	500
MO86751C	10.525	50 Min.	350	+9.0 to +10.0	600
MO86751D	10.525	100 Min.	350	+9.0 to +10.0	800
<i>K Band Oscillators</i>					
MO9060	24.125	5 Min.	1000	5	100
MO86790	24.15	10–20	555	+3.5 to +6.5	250
MO86791	24.15	40–100	555	+5.0 to +8.0	1000
<i>K Band Oscillators — Pulsed</i>					
MO9080	24.125	11–20 Peak	1000	+6.0 to +7.0	300 Peak
<i>Ka Band Oscillators</i>					
MO86797	35.5	15–25	1400	+3.0 to +6.0	450
MO9205	35.5	15–30	800	5	400

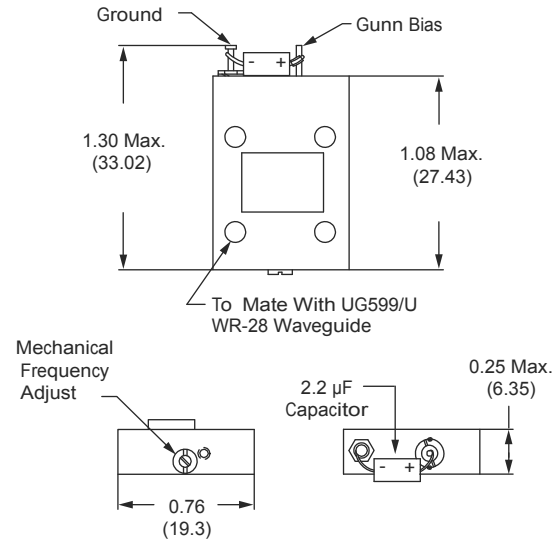
Other frequencies and power levels available upon request.
 Operating temperature is -30°C to +70°C.
 MO9080 pulse width= 10 microseconds duty = 50%.

Typical Performance Characteristics

MO86751 Series Frequency and Power vs. Temperature

MO9060 Frequency and Power vs. Temperature

MO9060 and MO86751 Series Typical Phase Noise Performance
MO86751-A, B, C, D


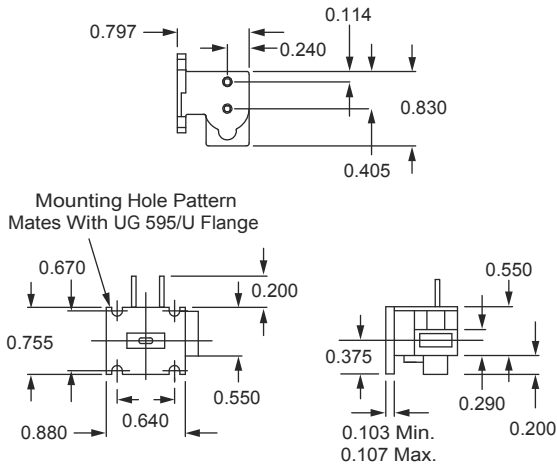
Dimensions are in inches.

MO86790, MO86791


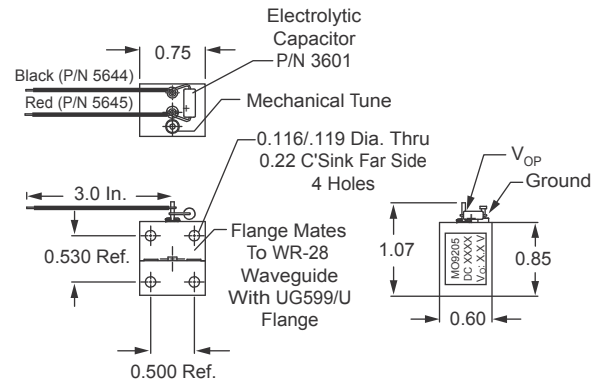
Dimensions are in inches (mm).

MO86797


Dimensions are in inches (mm).

MO9060, MO9080


Dimensions are in inches.

MO9205


Dimensions are in inches.

X-ON Electronics

Largest Supplier of Electrical and Electronic Components

Click to view similar products for [Standard Clock Oscillators](#) category:

Click to view products by [Microchip](#) manufacturer:

Other Similar products are found below :

[601252](#) [F335-12](#) [F335-25](#) [F535L-33.333](#) [F535L-50](#) [ASV-20.000MHZ-LR-T](#) [ECS-2018-160-BN-TR](#) [EL13C7-H2F-125.00M](#) [MXO45HS-2C-66.6666MHZ](#) [SiT8209AI-32-33E-125.000000](#) [SM4420TEV-40.0M-T1K](#) [F335-24](#) [F335-40](#) [F535L-10](#) [F535L-12](#) [F535L-16](#) [F535L-24](#) [F535L-27](#) [F535L-48](#) [PE7744DW-100.0M](#) [CSX-750FCC14745600T](#) [ASF1-3.686MHZ-N-K-S](#) [XO57CTECNA3M6864](#) [ECS-2100A-147.4](#) [601251](#) [EP16E7E2H26.000MTR](#) [SIT8918AA-11-33S-16.000000G](#) [XO3003](#) [9120AC-2D2-33E212.500000](#) [9102AI-243N25E100.00000](#) [8208AC-82-18E-25.00000](#) [ASDK2-32.768KHZ-LR-T3](#) [8008AI-72-XXE-24.545454E](#) [8004AC-13-33E-133.33000X](#) [AS-4.9152-16-SMD-TR](#) [ASFL1-48.000MHZ-LC-T](#) [SIT8920AM-31-33E-25.0000](#) [DSC1028DI2-019.2000](#) [9121AC-2C3-25E100.00000](#) [9102AI-233N33E100.00000X](#) [9102AI-233N25E200.00000](#) [9102AI-232H25S125.00000](#) [9102AI-133N25E200.00000](#) [9102AC-283N25E200.00000](#) [9001AC-33-33E1-30.000](#) [XLH536125.000JS4I](#) [3921AI-2CF-33NZ125.000000](#) [5730-1SF](#) [PXA000010](#) [SIT1602BC-83-33E-10.000000Y](#)