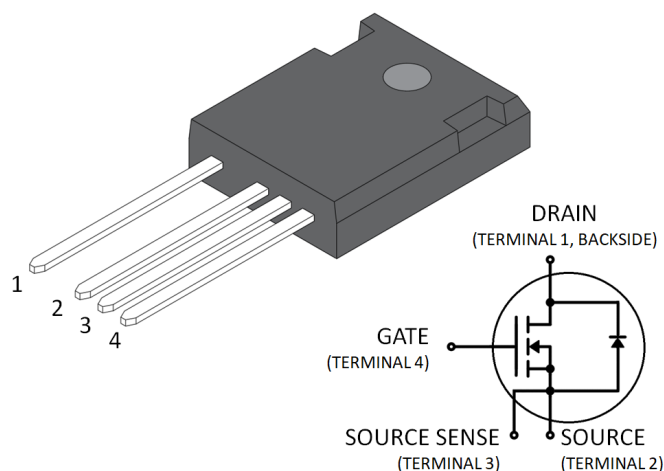


# MSC080SMA120B4 Silicon Carbide N-Channel Power MOSFET

## 1 Product Overview

The silicon carbide (SiC) power MOSFET product line from Microsemi increases the performance over silicon MOSFET and silicon IGBT solutions while lowering the total cost of ownership for high-voltage applications. The MSC080SMA120B4 device is a 1200 V, 80 mΩ SiC MOSFET in a TO-247 4-lead package with a source sense.



### 1.1 Features

The following are key features of the MSC080SMA120B4 device:

- Low capacitances and low gate charge
- Fast switching speed due to low internal gate resistance (ESR)
- Stable operation at high junction temperature,  $T_{j(max)} = 175\text{ °C}$
- Fast and reliable body diode
- Superior avalanche ruggedness
- RoHS compliant

### 1.2 Benefits

The following are benefits of the MSC080SMA120B4 device:

- High efficiency to enable lighter, more compact system
- Simple to drive and easy to parallel
- Improved thermal capabilities and lower switching losses
- Eliminates the need for external freewheeling diode
- Lower system cost of ownership

### 1.3 Applications

The MSC080SMA120B4 device is designed for the following applications:

- PV inverter, converter, and industrial motor drives
- Smart grid transmission and distribution
- Induction heating and welding
- H/EV powertrain and EV charger
- Power supply and distribution

## 2 Device Specifications

This section shows the device specifications for the MSC080SMA120B4 device.

### 2.1 Absolute Maximum Ratings

The following table shows the absolute maximum ratings for the MSC080SMA120B4 device.

**Table 1 • Absolute Maximum Ratings**

Symbol	Parameter	Ratings	Unit
V <sub>DSS</sub>	Drain source voltage	1200	V
I <sub>D</sub>	Continuous drain current at T <sub>c</sub> = 25 °C	37	A
	Continuous drain current at T <sub>c</sub> = 100 °C	26	
I <sub>DM</sub>	Pulsed drain current <sup>1</sup>	90	
V <sub>GS</sub>	Gate-source voltage	23 to -10	V
P <sub>D</sub>	Total power dissipation at T <sub>c</sub> = 25 °C	200	W
	Linear derating factor	1.33	W/°C

**Note:**

1. Repetitive rating: pulse width and case temperature limited by maximum junction temperature.

The following table shows the thermal and mechanical characteristics of the MSC080SMA120B4 device.

**Table 2 • Thermal and Mechanical Characteristics**

Symbol	Characteristic	Min	Typ	Max	Unit
R <sub>θJC</sub>	Junction-to-case thermal resistance		0.5	0.75	°C/W
T <sub>J</sub>	Operating junction temperature	-55		175	°C
T <sub>STG</sub>	Storage temperature	-55		150	
T <sub>L</sub>	Soldering temperature for 10 seconds (1.6 mm from case)			260	
				10	lbf-in
				1.1	N-m
Wt	Package weight		0.22		oz
			6.2		g

## 2.2 Electrical Performance

The following table shows the static characteristics for the MSC080SMA120B4 device.  $T_J = 25\text{ }^\circ\text{C}$  unless otherwise specified.

**Table 3 • Static Characteristics**

Symbol	Characteristic	Test Conditions	Min	Typ	Max	Unit
$V_{(BR)DSS}$	Drain-source breakdown voltage	$V_{GS} = 0\text{ V}$ $I_D = 100\text{ }\mu\text{A}$	1200			V
$R_{DS(on)}$	Drain-source on resistance <sup>1</sup>	$V_{GS} = 20\text{ V}$ $I_D = 15\text{ A}$		80	100	m $\Omega$
$V_{GS(th)}$	Gate-source threshold voltage	$V_{GS} = V_{DS}$ $I_D = 1\text{ mA}$	1.8	2.8		V
$\Delta V_{GS(th)}/\Delta T_J$	Threshold voltage coefficient	$V_{GS} = V_{DS}$ $I_D = 1\text{ mA}$		-4.5		mV/ $^\circ\text{C}$
$I_{DSS}$	Zero gate voltage drain current	$V_{DS} = 1200\text{ V}$ $T_J = 25\text{ }^\circ\text{C}$ $V_{GS} = 0\text{ V}$			100	$\mu\text{A}$
		$V_{DS} = 1200\text{ V}$ $T_J = 125\text{ }^\circ\text{C}$ $V_{GS} = 0\text{ V}$			500	
$I_{GSS}$	Gate-source leakage current	$V_{GS} = 20\text{ V} / -10\text{ V}$			$\pm 100$	nA

**Note:**

1. Pulse test: pulse width < 380  $\mu\text{s}$ , duty cycle < 2%.

The following table shows the dynamic characteristics for the MSC080SMA120B4 device.  $T_J = 25\text{ }^\circ\text{C}$  unless otherwise specified.

**Table 4 • Dynamic Characteristics**

Symbol	Characteristic	Test Conditions	Min	Typ	Max	Unit
$C_{iss}$	Input capacitance	$V_{GS} = 0\text{ V}$		838		pF
$C_{rss}$	Reverse transfer capacitance	$V_{DD} = 1000\text{ V}$ $V_{AC} = 25\text{ mV}$		9		
$C_{oss}$	Output capacitance	$f = 1\text{ MHz}$		84		
$Q_g$	Total gate charge	$V_{GS} = -5\text{ V}/20\text{ V}$		64		nC
$Q_{gs}$	Gate-source charge	$V_{DD} = 800\text{ V}$ $I_D = 15\text{ A}$		12		
$Q_{gd}$	Gate-drain charge			19		
$t_{d(on)}$	Turn-on delay time	$V_{DD} = 800\text{ V}$		5		ns
$t_r$	Current rise time	$V_{GS} = -5\text{ V}/20\text{ V}$ $I_D = 15\text{ A}$		4		
$t_{d(off)}$	Turn-off delay time	$R_{G(ext)} = 4\text{ }\Omega^1$		21		
$t_f$	Current fall time	Freewheeling diode = MSC080SMA120B4		15		
$E_{on}$	Turn-on switching energy <sup>2</sup>			266		$\mu\text{J}$
$E_{off}$	Turn-off switching energy			52		
$t_{d(on)}$	Turn-on delay time	$V_{DD} = 800\text{ V}$		4		ns
$t_r$	Current rise time	$V_{GS} = -5\text{ V}/20\text{ V}$ $I_D = 15\text{ A}$		4		
$t_{d(off)}$	Turn-off delay time	$R_{G(ext)} = 4\text{ }\Omega^1$		24		
$t_f$	Current fall time	Freewheeling diode = MSC010SDA120B		10		
$E_{on}$	Turn-on switching energy <sup>2</sup>			166		$\mu\text{J}$
$E_{off}$	Turn-off switching energy			50		
ESR	Equivalent series resistance	$f = 1\text{ MHz}$ , 25 mV, drain short		1.9		$\Omega$
SCWT	Short circuit withstand time	$V_{DS} = 960\text{ V}$ , $V_{GS} = 20\text{ V}$		3		$\mu\text{s}$
$E_{AS}$	Avalanche energy, single pulse	$V_{DS} = 150\text{ V}$ , $V_{GS} = 20\text{ V}$ , $I_D = 15\text{ A}$		1000		mJ

**Notes:**

1.  $R_G$  is total gate resistance excluding internal gate driver impedance.
2.  $E_{on}$  includes energy of freewheeling diode.

## 2.3 Body Diode Characteristics

The following table shows the body diode characteristics for the MSC080SMA120B4 device.  $T_J = 25\text{ }^\circ\text{C}$  unless otherwise specified.

**Table 5 • Body Diode Characteristics**

Symbol	Parameter	Test Conditions	Min	Typ	Max	Unit
$V_{SD}$	Diode forward voltage	$I_{SD} = 15\text{ A}$ , $V_{GS} = 0\text{ V}$		4.0		V
$V_{SD}$	Diode forward voltage	$I_{SD} = 15\text{ A}$ , $V_{GS} = -5\text{ V}$		4.2		V
$t_{rr}$	Reverse recovery time	$I_{SD} = 15\text{ A}$ , $V_{GS} = -5\text{ V}$		34		ns
$Q_{rr}$	Reverse recovery charge	$V_{DD} = 800\text{ V}$ $di/dt = -1000\text{ A}/\mu\text{s}$		200		nC
$I_{rrm}$	Reverse recovery current			6.5		A

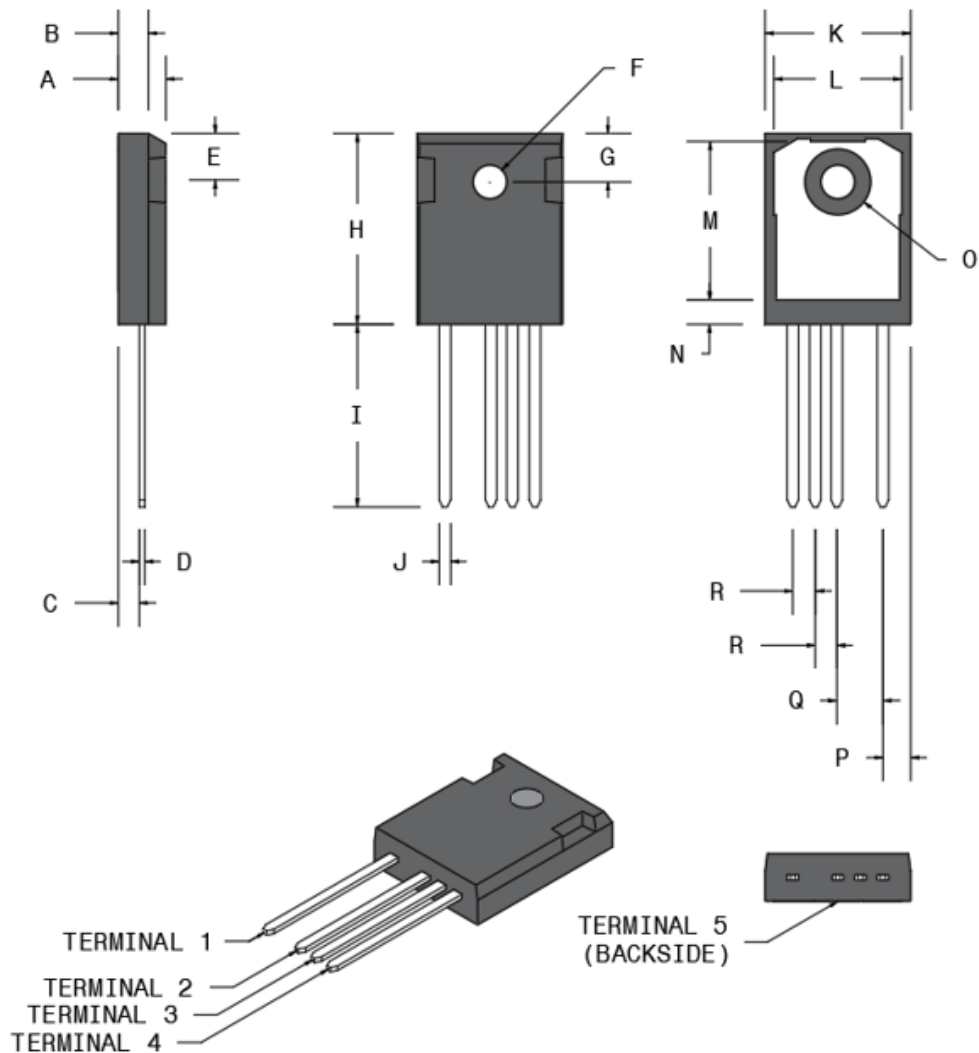
### 3 Package Specification

This section shows the package specification for the MSC080SMA120B4 device.

#### 3.1 Package Outline Drawing

The following figure illustrates the TO-247 4-lead package outline of the MSC080SMA120B4 device. The dimensions in the figure below are in millimeters and (inches).

**Figure 1 • Package Outline Drawing**



The following table shows the TO-247 4-lead dimensions and should be used in conjunction with the package outline drawing.

**Table 6 • TO-247-4L Dimensions**

Symbol	Min (mm)	Max (mm)	Min (in.)	Max (in.)
A	4.90	5.17	0.193	0.204
B	1.85	2.11	0.073	0.083
C	2.25	2.51	0.089	0.099
D	0.55	0.68	0.022	0.027
E	5.49	5.74	0.216	0.226
F	3.56	3.66	0.140	0.144
G	6.15 BSC		0.242 BSC	
H	20.83	21.08	0.820	0.830
I	19.81	20.32	0.780	0.800
J	1.07	1.33	0.042	0.052
K	15.77	16.03	0.621	0.631
L	13.89	14.15	0.547	0.557
M	16.25	16.85	0.640	0.663
N	2.00	2.75	0.079	0.108
O	7.10	7.50	0.280	0.295
P	2.87 BSC		0.113 BSC	
Q	5.08 BSC		0.200 BSC	
R	2.54 BSC		0.100 BSC	
Terminal 1	Drain			
Terminal 2	Source			
Terminal 3	Source sense			
Terminal 4	Gate			
Terminal 5	Drain			



**Microsemi Headquarters**

One Enterprise, Aliso Viejo,  
CA 92656 USA  
Within the USA: +1 (800) 713-4113  
Outside the USA: +1 (949) 380-6100  
Sales: +1 (949) 380-6136  
Fax: +1 (949) 215-4996  
Email: [sales.support@microsemi.com](mailto:sales.support@microsemi.com)  
[www.microsemi.com](http://www.microsemi.com)

© 2019 Microsemi. All rights reserved. Microsemi and the Microsemi logo are trademarks of Microsemi Corporation. All other trademarks and service marks are the property of their respective owners.

Microsemi makes no warranty, representation, or guarantee regarding the information contained herein or the suitability of its products and services for any particular purpose, nor does Microsemi assume any liability whatsoever arising out of the application or use of any product or circuit. The products sold hereunder and any other products sold by Microsemi have been subject to limited testing and should not be used in conjunction with mission-critical equipment or applications. Any performance specifications are believed to be reliable but are not verified, and Buyer must conduct and complete all performance and other testing of the products, alone and together with, or installed in, any end-products. Buyer shall not rely on any data and performance specifications or parameters provided by Microsemi. It is the Buyer's responsibility to independently determine suitability of any products and to test and verify the same. The information provided by Microsemi hereunder is provided "as is, where is" and with all faults, and the entire risk associated with such information is entirely with the Buyer. Microsemi does not grant, explicitly or implicitly, to any party any patent rights, licenses, or any other IP rights, whether with regard to such information itself or anything described by such information. Information provided in this document is proprietary to Microsemi, and Microsemi reserves the right to make any changes to the information in this document or to any products and services at any time without notice.

Microsemi, a wholly owned subsidiary of Microchip Technology Inc. (Nasdaq: MCHP), offers a comprehensive portfolio of semiconductor and system solutions for aerospace & defense, communications, data center and industrial markets. Products include high-performance and radiation-hardened analog mixed-signal integrated circuits, FPGAs, SoCs and ASICs; power management products; timing and synchronization devices and precise time solutions, setting the world's standard for time; voice processing devices; RF solutions; discrete components; enterprise storage and communication solutions; security technologies and scalable anti-tamper products; Ethernet solutions; Power-over-Ethernet ICs and midspans; as well as custom design capabilities and services. Microsemi is headquartered in Aliso Viejo, California, and has approximately 4,800 employees globally. Learn more at [www.microsemi.com](http://www.microsemi.com).

050-7755 | September 2019 | ATI - Advanced Technical Information

## X-ON Electronics

Largest Supplier of Electrical and Electronic Components

*Click to view similar products for [MOSFET](#) category:*

*Click to view products by [Microchip](#) manufacturer:*

Other Similar products are found below :

[614233C](#) [648584F](#) [IRFD120](#) [JANTX2N5237](#) [FCA20N60\\_F109](#) [FDZ595PZ](#) [2SK2545\(Q,T\)](#) [405094E](#) [423220D](#) [TPCC8103,L1Q\(CM](#)  
[MIC4420CM-TR](#) [VN1206L](#) [614234A](#) [715780A](#) [NTNS3166NZT5G](#) [SSM6J414TU,LF\(T](#) [751625C](#) [BUK954R8-60E](#) [NTE6400](#) [SQJ402EP-](#)  
[T1-GE3](#) [2SK2614\(TE16L1,Q\)](#) [2N7002KW-FAI](#) [DMN1017UCP3-7](#) [EFC2J004NUZTDG](#) [ECH8691-TL-W](#) [FCAB21350L1](#) [P85W28HP2F-](#)  
[7071](#) [DMN1053UCP4-7](#) [NTE221](#) [NTE222](#) [NTE2384](#) [NTE2903](#) [NTE2941](#) [NTE2945](#) [NTE2946](#) [NTE2960](#) [NTE2967](#) [NTE2969](#) [NTE2976](#)  
[NTE6400A](#) [NTE2910](#) [NTE2916](#) [NTE2956](#) [NTE2911](#) [DMN2080UCB4-7](#) [TK10A80W,S4X\(S](#) [SSM6P69NU,LF](#) [DMP22D4UFO-7B](#)  
[DMN1006UCA6-7](#) [DMN16M9UCA6-7](#)