

## Dual-Channel Proximity/Touch Controller

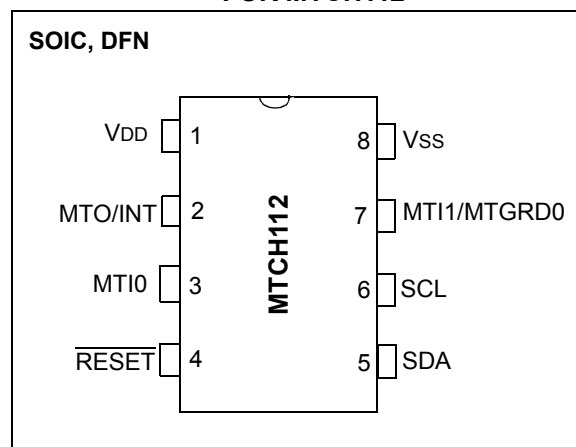
### Features:

- Capacitive Proximity Detection System:
  - High Signal to Noise Ratio (SNR)
  - Adjustable sensitivity
  - Noise Rejection Filters
  - Scanning method actively optimized to attenuate strongest noise frequencies
  - Automatic calibration with optional user presets
  - Dynamic threshold management adjusts sensitivity of sensor based on the level of environmental noise
  - Constant press calibration tracks the expected offset when the sensor is pressed and adjusts the threshold to automatically achieve the best press/release behavior
  - User-defined “minimum shift” values specify the lowest amount of signal change to activate a state transition. Automatic thresholds never decrease below these settings.
  - Automatic Environmental Compensation
  - Stuck release mechanism
- No Required External Components
- Low-Power mode: Highly Configurable Low-Power mode
  - 1 ms to 4s Sleep interval between sensor samples
- Response Time as Low as 10 ms
- Hardware Error Detection notifies if either sensor is shorted to VDD, VSS or the other sensor
- Operating Voltage Range:
  - 1.8V to 3.3V
- Operating Temperature:
  - 40°C to +85°C

### Package Type

The device is available in 8-lead SOIC and DFN packaging (see [Figure 1](#)).

**FIGURE 1: 8-PIN DIAGRAM FOR MTCH112**



**TABLE 1: 8-PIN SOIC/DFN PINOUT DESCRIPTION**

I/O	8-Pin SOIC/DFN	Description
VDD	1	Power Supply Input
MTO/INT	2	Detect Output (Active-Low) Notification Interrupt Pin
MTIO	3	Proximity/Touch Sensor Input
RESET	4	Device Reset (Active-Low)
SDA	5	I <sup>2</sup> C™ Data
SCL	6	I <sup>2</sup> C™ Clock
MT11/MTGRD0	7	Proximity/Touch Sensor Input Active Guard Shield for MTIO
VSS	8	Ground Reference

# MTCH112

---

## Table of Contents

1.0	Device Overview .....	3
2.0	I <sup>2</sup> C™ Serial Interface .....	6
3.0	Configuration Registers .....	13
4.0	Electrical Characteristics.....	25
5.0	Packaging Information .....	34
	Index .....	42
	The Microchip Web Site .....	43
	Customer Change Notification Service .....	43
	Customer Support .....	43
	Reader Response .....	44
	Product Identification System .....	45

## TO OUR VALUED CUSTOMERS

It is our intention to provide our valued customers with the best documentation possible to ensure successful use of your Microchip products. To this end, we will continue to improve our publications to better suit your needs. Our publications will be refined and enhanced as new volumes and updates are introduced.

If you have any questions or comments regarding this publication, please contact the Marketing Communications Department via E-mail at [docerrors@microchip.com](mailto:docerrors@microchip.com) or fax the **Reader Response Form** in the back of this data sheet to (480) 792-4150. We welcome your feedback.

### Most Current Data Sheet

To obtain the most up-to-date version of this data sheet, please register at our Worldwide Web site at:

<http://www.microchip.com>

You can determine the version of a data sheet by examining its literature number found on the bottom outside corner of any page. The last character of the literature number is the version number, (e.g., DS30000A is version A of document DS30000).

### Errata

An errata sheet, describing minor operational differences from the data sheet and recommended workarounds, may exist for current devices. As device/documentation issues become known to us, we will publish an errata sheet. The errata will specify the revision of silicon and revision of document to which it applies.

To determine if an errata sheet exists for a particular device, please check with one of the following:

- Microchip's Worldwide Web site; <http://www.microchip.com>
- Your local Microchip sales office (see last page)

When contacting a sales office, please specify which device, revision of silicon and data sheet (include literature number) you are using.

### Customer Notification System

Register on our web site at [www.microchip.com](http://www.microchip.com) to receive the most current information on all of our products.

## 1.0 DEVICE OVERVIEW

The Microchip mTouch™ sensing MTCH112 Dual-Channel Proximity/Touch Controller provides an easy way to add proximity and/or touch sensor detection to any application. The device implements either two capacitive sensors or one sensor and one active guard driver. The optional device configuration through I<sup>2</sup>C™ allows presets to be loaded in a production environment. Automatic calibration routines are used by default to choose the best options, so user configuration is not required.

The MTCH112 uses a sophisticated optimization algorithm to actively eliminate noise from the signal. While the noise level is being measured, the requirements for a proximity or touch detection are updated to reflect the degree of uncertainty in the readings. When a press is detected for the first time, the threshold is automatically calibrated to choose a smart threshold for the ‘release’ and next press. This creates a system that dynamically optimizes the signal-to-noise ratio for its environment.

### 1.1 Automatic Calibration

It measures the amount of capacitance on each sensor pin and chooses the best of three possible waveforms to capture a capacitive measurement.

It analyzes the two final settling voltages of the MTIO pin to more closely match the waveform on the MTGRD0 pin.

The settling time for the waveform is calibrated to maximize sensitivity while minimizing the delay. This provides the best trade-off between signal and noise reduction.

Calibration results are stored in the on-board EEPROM for faster recovery time on next power-up. These memory locations are accessible for read/write through the I<sup>2</sup>C communications to bypass the automatic calibration, if required.

### 1.2 Communications

- I<sup>2</sup>C, Slave mode

### 1.3 Touch Configurations

- MTIO is a dedicated capacitive sensor input
- MTI1/MTGRD0 can either be another capacitive sensor or a guard driver for MTIO

### 1.4 Signal Resolution

- 13 bits

## 1.5 Pin Description

### 1.5.1 MTIO/MTI1

Connect the sensor to this input. An additional resistor of at least 4.7 k $\Omega$  is recommended for best noise immunity. Sensors up to 40 pF in capacitance are supported. Sensors work best when the base capacitance is minimized. This will maximize the percentage change in capacitance when a finger is added to the circuit.

### 1.5.2 MTGRD0

When not scanning the pin for capacitance changes (MTI1 functionality), the pin will be driven in phase with MTIO to minimize the voltage differential between the two pins. If the MTGRD0 pin’s trace surrounds the MTIO pin’s trace, the waveform on MTGRD0 will shield (or guard) MTIO from the effect of nearby noise sources or power planes.

### 1.5.3 MTO

The mTouch™ sensing output pin is always driven to either V<sub>DD</sub> or V<sub>SS</sub> by the device. The MTCH112 OUTCON register (see [Register 3-1](#)) determines the behavior of the MTO/INT pin. The pin is always active-low, but the states in which this output occurs can be adjusted in the device’s OUTCON register. If no options are selected for output states, the MTO pin acts as an interrupt to a master device. The MTCH112 will pulse low for at least 1 ms if any state changes occur. Further information must be determined by communicating through I<sup>2</sup>C with the device.

### 1.5.4 I<sup>2</sup>C – SERIAL DATA PIN (SDA)

The SDA pin is the serial data pin of the I<sup>2</sup>C interface. The SDA pin is used to write or read the registers and Configuration bits. The SDA pin is an open-drain N-channel driver. Therefore, it needs an external pull-up resistor from the V<sub>DD</sub> line to the SDA pin. The recommended resistance value is 1.5 k $\Omega$ . Except for Start and Stop conditions, the data on the SDA pin must be stable during the high period of the clock. The high or low state of the SDA pin can only change when the clock signal on the SCL pin is low. Refer to [Section 2.1.2 “I<sup>2</sup>C Operation”](#) for more details on I<sup>2</sup>C Serial Interface communication.

# MTCH112

## 1.5.5 I<sup>2</sup>C – SERIAL CLOCK PIN (SCL)

The SCL pin is the serial clock pin of the I<sup>2</sup>C interface. The I<sup>2</sup>C interface only acts as a slave and the SCL pin accepts only external serial clocks. The input data from the master device is shifted into the SDA pin on the rising edges of the SCL clock, and output from the device occurs at the falling edges of the SCL clock. The SCL pin is an open-drain N-channel driver. Therefore, it needs an external pull-up resistor from the V<sub>DD</sub> line to the SCL pin. The recommended resistance value is 1.5 kΩ. Refer to [Section 2.1.2 “I<sup>2</sup>C Operation”](#) for more details on I<sup>2</sup>C Serial Interface communication.

For more details, see [Figure 1](#) and [Table 1](#).

## 1.6 Performance

### 1.6.1 PROXIMITY DISTANCE

The maximum proximity distance will be highly dependent on the level of noise in the environment. To maximize the robustness of the controller, the noise level is measured and used to define how much shift is required in the signal before a reliable change in state can be determined. These values were taken in a low-noise environment. For more details, see [Figure 4-2](#).

### 1.6.2 RESPONSE TIME

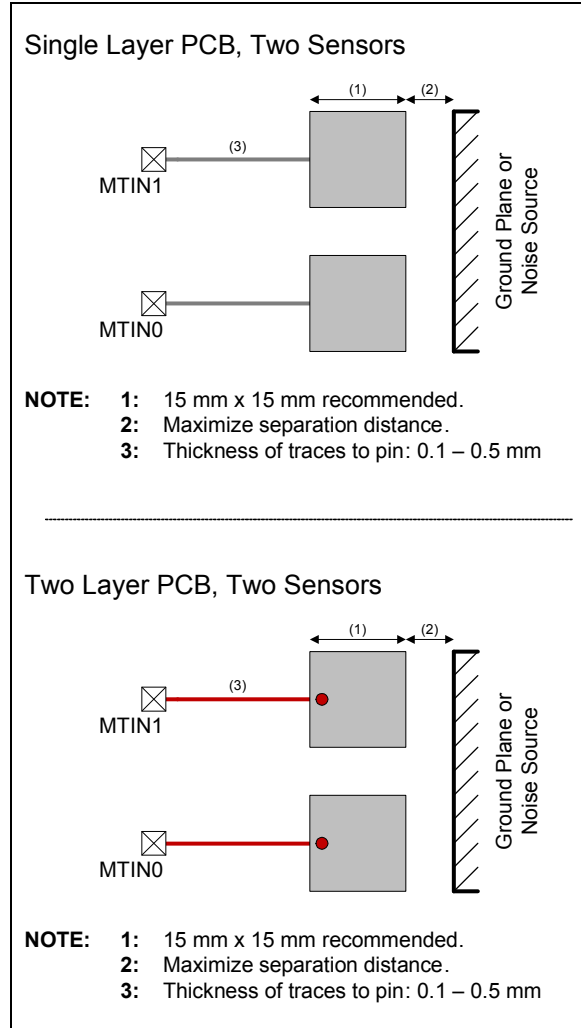
The response time is defined as the maximum amount of time delay between the sensor's capacitance significantly changing and the output being updated based on the OUTCON register's configuration.

This amount of time will be dependent on the LPCON register, as it determines how long the device will sleep after detecting no significant changes. The fastest response time can be achieved by setting the LPCON register for the minimum Sleep time (see [Register 3-6](#)). The controller only sleeps when idle and no changes in the environment are detected. If a change occurs, the device will operate without sleeping until the disturbance or capacitance is removed. For more details, see [Table 4-2](#).

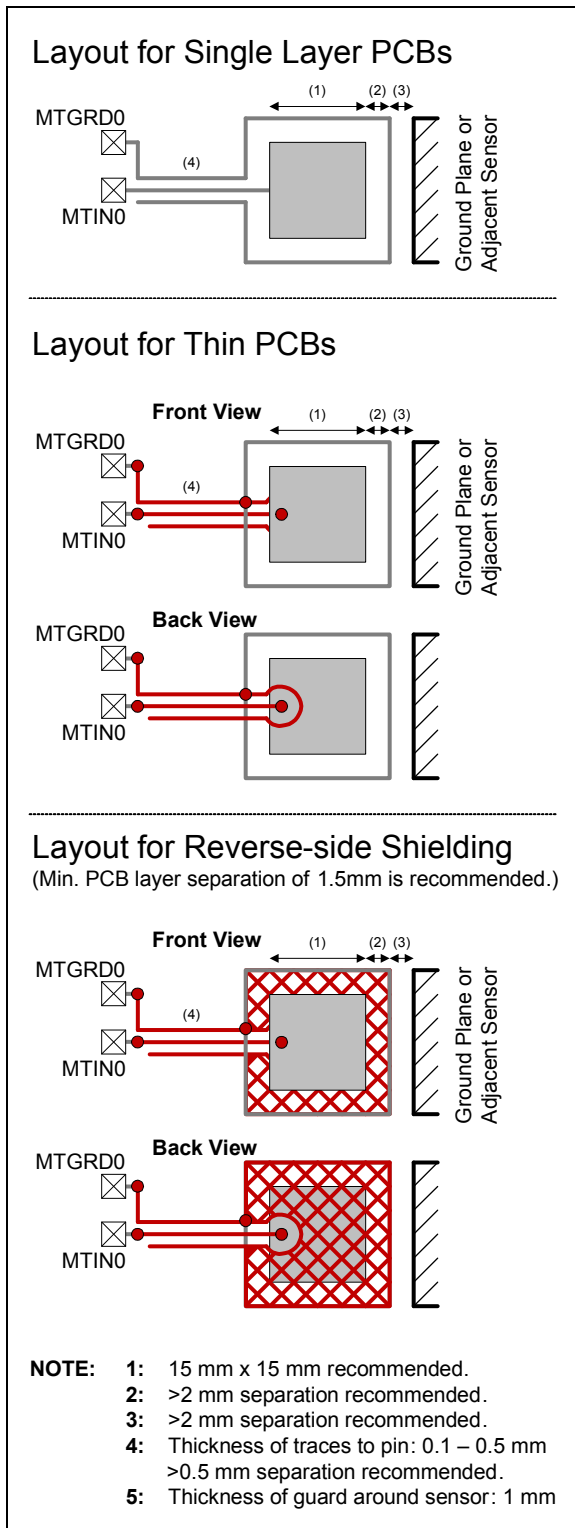
## 1.6.3 HARDWARE

Capacitive sensors are areas of metal connected through a series resistor of 4.7 kΩ to one of the MTIX pins. The following diagrams show some example layout configurations along with the recommended design guidelines. For more information about the design of capacitive sensors, see AN1334, “*Techniques for Robust Touch Sensing Design*”.

**FIGURE 1-1: TWO-SENSOR LAYOUTS — EXAMPLE**



**FIGURE 1-2: GUARD LAYOUTS — EXAMPLE**



# MTCH112

## 2.0 I<sup>2</sup>C™ SERIAL INTERFACE

This device supports the I<sup>2</sup>C serial protocol. The I<sup>2</sup>C module operates in Slave mode, so it does not generate the serial clock.

### 2.1 Overview

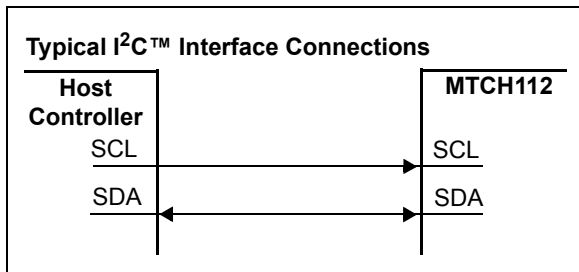
This I<sup>2</sup>C interface is a two-wire interface. Figure 2-1 shows a typical I<sup>2</sup>C Interface connection.

The I<sup>2</sup>C interface specifies different communication bit rates. These are referred to as Standard, Fast or High Speed modes. The MTCH112 device supports these three modes. The bit rates of these modes are:

- Standard Mode: Bit Rates up to 100 kbit/s
- Fast Mode: Bit Rates up to 400 kbit/s

A device that sends data onto the bus is defined as a transmitter, and a device receiving data is defined as a receiver. The bus has to be controlled by a master device which generates the serial clock (SCL), controls the bus access and generates the Start and Stop conditions. The MTCH112 device works as slave. Both master and slave can operate as transmitter or receiver, but the master device determines which mode is activated. Communication is initiated by the master (microcontroller) which sends the Start bit, followed by the slave address byte. The first byte transmitted is always the slave address byte, which contains the device code, the address bits and the R/W bit.

FIGURE 2-1: TYPICAL I<sup>2</sup>C™ INTERFACE



The I<sup>2</sup>C serial protocol only defines the field types, field lengths, timings, etc. of a frame. The frame content defines the behavior of the device. For details on the frame content (commands/data) refer to Section 2.3 “I<sup>2</sup>C Commands”.

Refer to the *NXP User Manual (UM10204\_3)* for more details on the I<sup>2</sup>C specifications.

There was some concern as to the use of the Acknowledge bit to indicate a command error condition. From Section 3.6 of the *NXP User Manual (UM10204\_3, Rev 03 - 19 June 2007)*, the description states:

*“The acknowledge takes place after every byte. The Acknowledge bit allows the receiver to signal the transmitter that the byte was successfully received and*

*another byte may be sent. All clock pulses including the acknowledge 9th clock pulse are generated by the master.”*

From this we can state that the byte was not “*successfully received*” since it is an invalid combination of Address/Command.

#### 2.1.1 SIGNAL DESCRIPTIONS

The I<sup>2</sup>C interface uses up to two pins (signals). These are:

- SDA (Serial Data) (see Section 1.5.4 “I<sup>2</sup>C – Serial Data Pin (SDA)”)
- SCL (Serial Clock) (see Section 1.5.5 “I<sup>2</sup>C – Serial Clock Pin (SCL)”)

#### 2.1.2 I<sup>2</sup>C OPERATION

The MTCH112 device I<sup>2</sup>C module is compatible with the NXP I<sup>2</sup>C specification. The following lists some of the module’s features:

- 7-bit Slave Addressing
- Supports Two Clock Rate modes:
  - Standard mode, clock rates up to 100 kHz
  - Fast mode, clock rates up to 400 kHz
- Support Multi-Master Applications

The I<sup>2</sup>C 10-bit addressing mode is not supported.

The NXP I<sup>2</sup>C specification only defines the field types, field lengths, timings, etc. of a frame. The frame content defines the behavior of the device. The frame content for this device is defined in Section 2.3 “I<sup>2</sup>C Commands”.

## I<sup>2</sup>C BIT STATES AND SEQUENCE

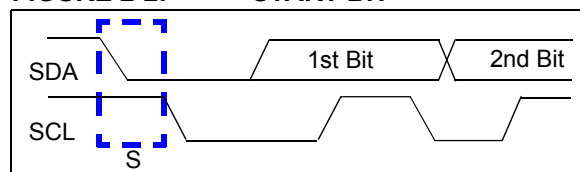
Figure 2-7 shows an I<sup>2</sup>C 8-bit transfer sequence, while Figure 2-8 shows the bit definitions. The serial clock is generated by the master. The following definitions are used for the bit states:

- Start bit (S)
- Data bit
- Acknowledge (A) bit (driven low) / No Acknowledge (A) bit (not driven low)
- Repeated Start bit (Sr)
- Stop bit (P)

### START BIT

The Start bit (see Figure 2-2) indicates the beginning of a data transfer sequence. The Start bit is defined as the SDA signal falling when the SCL signal is high.

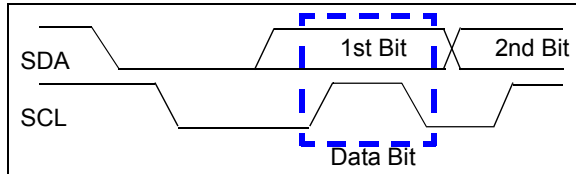
FIGURE 2-2: START BIT



## DATA BIT

The SDA signal may change state while the SCL signal is low. While the SCL signal is high, the SDA signal MUST be stable (see Figure 2-3).

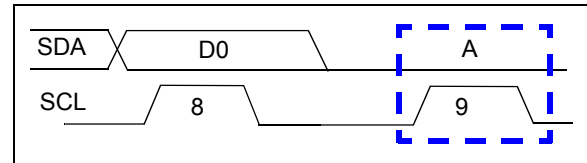
**FIGURE 2-3: DATA BIT**



## ACKNOWLEDGE (A) BIT

The A bit (see Figure 2-4) is typically a response from the receiving device to the transmitting device. Depending on the context of the transfer sequence, the A bit may indicate different things. Typically, the slave device will supply an A response after the Start bit and 8 data bits have been received. An A bit has the SDA signal low.

**FIGURE 2-4: ACKNOWLEDGE WAVEFORM**



## Not A ( $\bar{A}$ ) Response

The  $\bar{A}$  bit has the SDA signal high. Table 2-1 shows some of the conditions where the slave device will issue a Not A ( $\bar{A}$ ).

If an error condition occurs (such as an  $\bar{A}$  instead of A), then a Start bit must be issued to reset the command state machine.

**TABLE 2-1: MTCH112 A /  $\bar{A}$  RESPONSES**

Event	Acknowledge Bit Response	Comment
General Call	$\bar{A}$	
Slave Address valid	A	
Slave Address not valid	$\bar{A}$	
Communication during EEPROM Write cycle	$\bar{A}$	The device will NACK after a valid write sequence until all bytes are executed.
Bus Collision	N/A	Treated as "Don't Care" if the collision occurs on the Start bit. Otherwise, I <sup>2</sup> C™ resets.

# MTCH112

## REPEATED START BIT

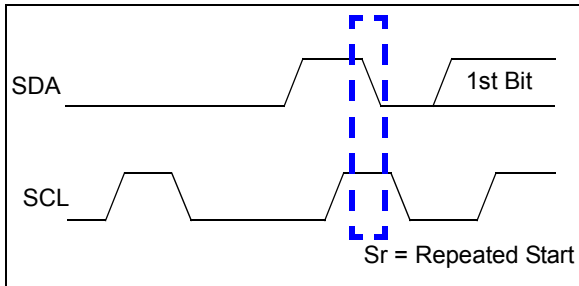
The Repeated Start bit (see [Figure 2-5](#)) indicates that the current master device wishes to continue communicating with the current slave device without releasing the I<sup>2</sup>C bus. The Repeated Start condition is the same as the Start condition, except that the Repeated Start bit follows a Start bit (with the data bits + A bit) and not a Stop bit.

The Start bit is the beginning of a data transfer sequence and is defined as the SDA signal falling when the SCL signal is high.

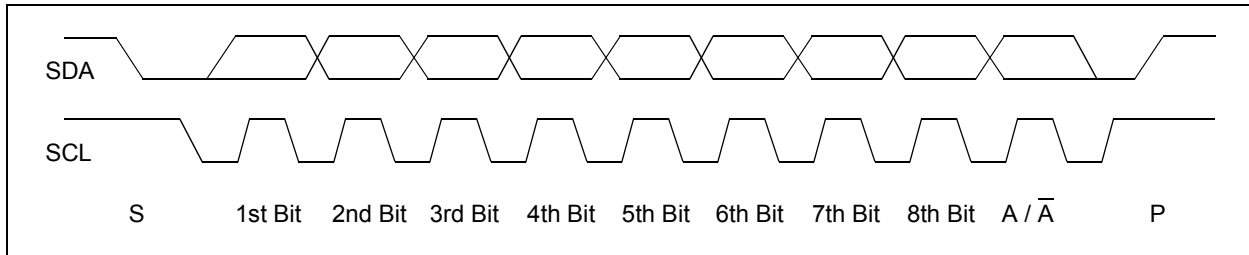
**Note 1:** A bus collision during the Repeated Start condition occurs if:

- SDA is sampled low when SCL goes from low-to-high.
- SCL goes low before SDA is asserted low. This may indicate that another master is attempting to transmit a data "1".

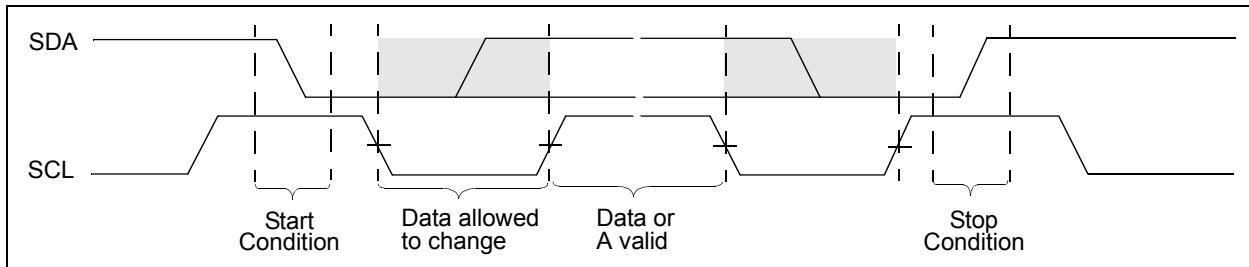
**FIGURE 2-5: REPEAT START CONDITION WAVEFORM**



**FIGURE 2-7: TYPICAL 8-BIT I<sup>2</sup>C™ WAVEFORM FORMAT**



**FIGURE 2-8: I<sup>2</sup>C™ DATA STATES AND BIT SEQUENCE**

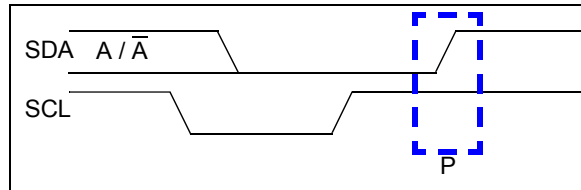


## STOP BIT

The Stop bit (see [Figure 2-6](#)) indicates the end of the I<sup>2</sup>C data transfer sequence. The Stop bit is defined as the SDA signal rising when the SCL signal is high.

A Stop bit resets the I<sup>2</sup>C interface of the MTCH112 device.

**FIGURE 2-6: STOP CONDITION RECEIVE OR TRANSMIT MODE**



### 2.1.2.1 Clock Stretching

Clock stretching is something that the receiving device can do to allow additional time to respond to the data that has been received.

This device will stretch the clock signal (SCL) after a Write command to allow the EEPROM write operation to complete.

### 2.1.2.2 Aborting a Transmission

If any part of the I<sup>2</sup>C transmission does not meet the command format, it is aborted. This can be intentionally accomplished with a Start or Stop condition. This is done so that noisy transmissions (usually an extra Start or Stop condition) are aborted before they corrupt the device.



## 2.1.2.3 Slope Control

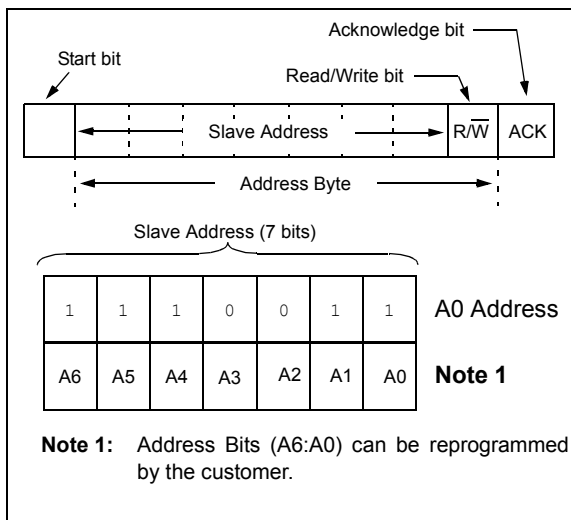
This device does not implement slope control on the SDA output.

## 2.1.2.4 Device Addressing

The address byte is the first byte received following the Start condition from the master device. The full 7 bits of the I<sup>2</sup>C slave address is user programmable. The default address is “1110011”.

Figure 2-9 shows the I<sup>2</sup>C slave address byte format, which contains the seven address bits and a Read/Write (R/W) bit.

**FIGURE 2-9: SLAVE ADDRESS BITS IN THE I<sup>2</sup>C™ CONTROL BYTE**



# MTCH112

## 2.2 Device Commands

This section documents the commands that the device supports.

The commands can be grouped into the following categories:

- Write Memory
- Read Memory

**TABLE 2-2: RESET TO FACTORY SETTINGS**

Desc.	Start	Device	Write Protection		Reset Command		Checksum <sup>(1)</sup>	Stop
Example	S	0xE6	0x55	0xAA	0x00	0xFF	0x00	P
Notes	—	Write	Required		Factory Settings		—	—

**Note 1:** Checksum is the binary XOR of all bytes except the device address.

**TABLE 2-3: WRITE TO REGISTER**

Desc.	Start	Device	Write Protection		Register	Value	Checksum <sup>(1)</sup>	Stop
Example	S	0xE6	0x55	0xAA	0x01	0x01	0xFF	P
Notes	—	Write	Required		OUTCON	—	—	—

**Note 1:** Checksum is the binary XOR of all bytes except the device address.

**TABLE 2-4: READ FROM REGISTER**

Desc.	Start	Device	Register	Restart	Device	Data	Stop	Start	Device	Checksum <sup>(1)</sup>	Stop
Example	S	0xE6	0x80	S	0xE7	—	P	S	0xE7	0xZZ	P
Notes		Write	STATE		Read	—			Read	—	

**Note 1:** Read checksum is the binary XOR of all bytes in the Data column. This is an optional step. The checksum can be ignored if the master does not wish to read it.

## 2.3 I<sup>2</sup>C COMMANDS

The I<sup>2</sup>C protocol does not specify how commands are formatted, so this section specifies the MTCH112 device's I<sup>2</sup>C command formats and operation.

The commands can be grouped into the following categories:

- Write Commands
- Read Commands

The supported commands are shown in [Table 2-2](#), [Table 2-3](#) and [Table 2-4](#).

### 2.3.1 WRITE COMMANDS

Write commands are used to transfer data to the desired memory location (from the Host controller). The Write command form writes the device address, 0x55, 0xAA, the data address, the value to write and an XOR checksum.

### 2.3.2 READ COMMANDS

The Read command format writes two bytes, the control byte and the desired memory address byte, and then has a Restart condition. Then a second control byte is transmitted, but this control byte indicates a I<sup>2</sup>C read operation (R/W bit = 1).

### 2.3.3 RESET TO FACTORY SETTINGS COMMAND

Resetting the device to factory settings is equivalent to writing the value 0xFF to the data address 0x00. The proper write protocol must be followed, including the address byte with the Write bit set, 0x55, 0xAA and a binary XOR checksum at the end.

### 2.3.4 ABORTING A COMMAND TRANSMISSION

A Restart or Stop condition in an expected data bit position will abort the current command sequence and data will not be written to the MTCH112. Write commands are automatically aborted if the binary XOR checksum is not valid.

### 2.3.5 WRITE COMMAND (NORMAL AND HIGH VOLTAGE)

The format of the command is shown in [Figure 2-10](#). The MTCH112 generates the A/A bits.

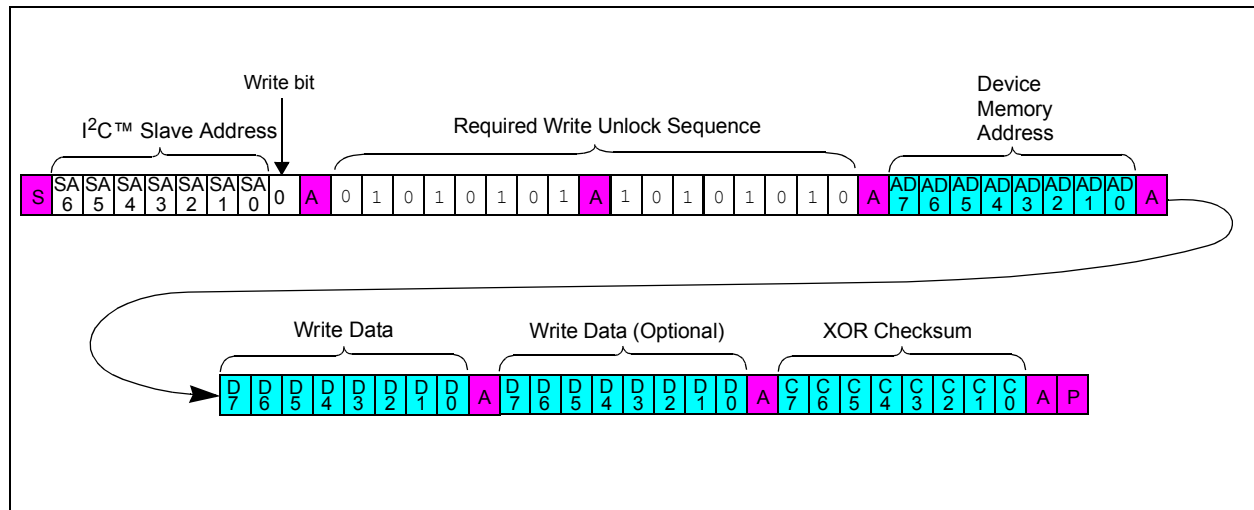
A Write command will only start a Write cycle after a properly formatted Write command has been received and the Stop condition has occurred.

#### 2.3.5.1 Writing to Memory

The protocol allows for a variable number of bytes to be written to the device at a time. Once the Stop bit has been sent, a time delay is required while the EEPROM write cycle stores each data byte. While the device is writing the EEPROM, the address will be changed (by toggling the Least Significant address bit of the device, then toggling back once finished) to prevent accidental double writes. An error may occur if a Write command is sent while the EEPROM is still storing the previous bytes. While the writing is being performed, reads to the normal device address will result in a NACK.

[Figure 2-10](#) shows the waveform for a single write.

**FIGURE 2-10: WRITE RANDOM ADDRESS COMMAND**



# MTCH112

## 2.3.6 READ COMMAND

The Read command can be issued to all memory locations. The format of the command (see Figure 2-11) includes the Start condition, I<sup>2</sup>C control byte (with R/W bit set to 0), A bit, the data address byte, A bit, followed by a Repeated Start bit, I<sup>2</sup>C control byte (with R/W bit set to 1) and the MTCH112 device transmitting the requested data bytes one at a time until the master sends a Stop condition.

The I<sup>2</sup>C control byte requires the R/W bit equal to a logic one (R/W = 1) to generate a read sequence. The memory location read will start at the requested data address and automatically increments by one after each byte request. Notice that the read operation packets do not include the 0x55 and 0xAA Write protection bytes.

After the Stop condition has been received, if a Start condition is followed by the device address, the device will send the XOR checksum of the data bytes from the previous read packet. This allows the checksum to be ignored by the master, if desired.

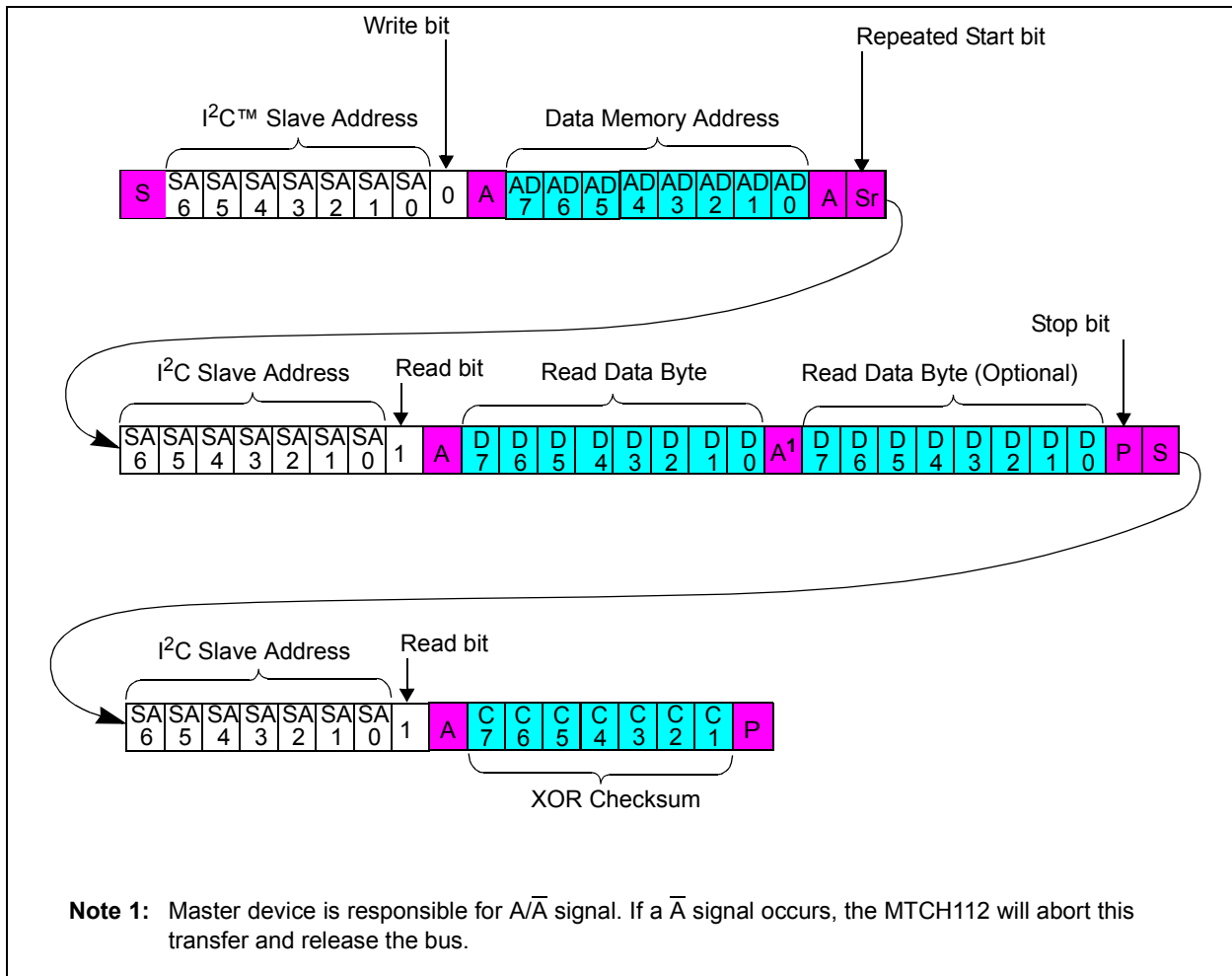
Read operations initially include the same address byte sequence as the write sequence (shown in Figure 2-10). This sequence is followed by another control byte (including the Start condition and Acknowledge) with the R/W bit equal to a logic one (R/W = 1) to indicate a read. The MTCH112 will then transmit the data contained in the addressed register. This is followed by the master generating an A bit in preparation for more data, or an  $\bar{A}$  bit followed by a Stop. The sequence is ended with the master generating a Stop or Restart condition.

Figure 2-11 shows the waveforms for a single read.

### 2.3.6.1 Ignoring an I<sup>2</sup>C Transmission and “Falling Off” the Bus

The MTCH112 device expects to receive complete, valid I<sup>2</sup>C commands and will assume any command not defined as a valid command is due to a bus corruption and will enter a passive high condition on the SDA signal. All signals will be ignored until the next valid Start condition and control byte are received.

**FIGURE 2-11: RANDOM READ COMMAND**



## 3.0 CONFIGURATION REGISTERS

The registers in the MTCH112 have been organized in two groups: the Configuration registers and the output registers. The output registers are in the 0x80 (and higher) address range and are read-only. They provide the current sensor data for each input. The Configuration registers are both writable and readable. They show the current scan options and define the systems behavior.

To restore the Configuration registers to their default states and force a recalibration of the sensors, perform a write operation of 0xFF to address 0x00.

## 3.1 Output Control Register (OUTCON)

This register contains the control bits for the MTO/INT pin to determine its behavior. If multiple bits in this register are set, the states they represent are OR'd before the output is determined. For example, if the S1BOE and S0BOE bits are set, the MTO pin will output low if either MTI0 or MTI1 detect a button touch. If the S1POE and S0POE bits are set, the MTO pin will output low if either MTI0 or MTI1 make a proximity detection. If none of the bits are set, the pin will perform as a 1 ms pulsed interrupt pin for the I<sup>2</sup>C master. (see [Register 3-1](#))

### REGISTER 3-1: OUTCON: OUTPUT CONTROL REGISTER

U-0	U-0	U-0	U-0	R/W-0/u	R/W-0/u	R/W-1/u	R/W-1/u
—	—	—	—	S1POE <sup>(1)</sup>	S0POE <sup>(1)</sup>	S1BOE <sup>(1)</sup>	S0BOE <sup>(1)</sup>
bit 7				bit 0			

#### Legend:

R = Readable bit	U = Unimplemented bit, read as '0'
u = Bit is unchanged	-n/n = Factory setting value/Value after all Resets
'1' = Bit is set	'0' = Bit is cleared
	W = Writable bit

bit 7-4      **Unimplemented:** Read as '0'

bit 3      **S1POE:** Sensor 1 Proximity Output Enable bit  
 1 = Output pin activates when Sensor 1 makes a proximity detection  
 0 = Output pin does not change based on Sensor 1's proximity detection

bit 2      **S0POE:** Sensor 0 Proximity Output Enable bit  
 1 = Output pin activates when Sensor 0 makes a proximity detection  
 0 = Output pin does not change based on Sensor 0's proximity detection

bit 1      **S1BOE:** Sensor 1 Button Output Enable bit  
 1 = Output pin activates when Sensor 1 makes a button press detection  
 0 = Output pin does not change based on Sensor 1's button press detection

bit 0      **S0BOE:** Sensor 0 Button Output Enable bit  
 1 = Output pin activates when Sensor 0 makes a button press detection  
 0 = Output pin does not change based on Sensor 0's button press detection

**Note 1:** If all output enable bits are '0', the output pin will behave as a wake-up signal to the master. It will be set active-low whenever new data becomes available.

# MTCH112

## 3.2 Calibration Control Registers (CALCONx)

This register contains the calibration information for MTIx. It stores the chosen waveform type and whether or not the calibration has been completed. To recalibrate a sensor, clear its respective SxCAL bit in the CALCONx register (see [Register 3-2](#) and [Register 3-3](#)).

### REGISTER 3-2: CALCON0: SENSOR 0'S CALIBRATION CONTROL REGISTER

R/W-0/u	R/W-0/u	U-0	U-0	U-0	U-0	R/W-0/u	U-1
S0WS<1:0>		—	—	—	—	S0CAL	—
bit 7							bit 0

#### Legend:

R = Readable bit                      U = Unimplemented bit, read as '0'  
u = Bit is unchanged                -n/n = Factory setting value/Value after all Resets  
'1' = Bit is set                        '0' = Bit is cleared                      W = Writable bit

- bit 7-6            **S0WS<1:0>**: Sensor 0 Waveform Selection bits  
00 = Normal mTouch™ sensing CVD Waveform  
01 = Double mTouch™ sensing CVD Waveform  
10 = Half mTouch™ sensing CVD Waveform  
11 = Reserved. Results in Double mTouch™ sensing CVD Waveform
- bit 5-2            **Unimplemented**: Read as '0'
- bit 1              **S0CAL**: Sensor 0 Calibrated bit  
1 = Sensor 0 calibration complete  
0 = New Sensor 0 calibration requested
- bit 0              **Unimplemented**: Read as '0'

### REGISTER 3-3: CALCON1: SENSOR 1'S CALIBRATION CONTROL REGISTER

R/W-0/u	R/W-0/u	U-0	U-0	U-0	U-0	R/W-0/u	R/W-1/u
S1WS<1:0>		—	—	—	—	S1CAL	S1EN
bit 7							bit 0

#### Legend:

R = Readable bit                      U = Unimplemented bit, read as '0'  
u = Bit is unchanged                -n/n = Factory setting value/Value after all Resets  
'1' = Bit is set                        '0' = Bit is cleared                      W = Writable bit

- bit 7-6            **S1WS<1:0>**: Sensor 1 Waveform Selection bits  
00 = Normal mTouch™ sensing CVD Waveform  
01 = Double mTouch™ sensing CVD Waveform  
10 = Half mTouch™ sensing CVD Waveform  
11 = Reserved. Results in Double mTouch™ sensing CVD Waveform
- bit 5-2            **Unimplemented**: Read as '0'
- bit 1              **S1CAL**: Sensor 1 Calibrated bit  
1 = Sensor 1 calibration complete  
0 = New Sensor 1 calibration requested
- bit 0              **S1EN**: Sensor 1 Enabled bit  
1 = Sensor 1 is enabled. Scanning and decoding active.  
0 = Sensor 1 is disabled. No scanning or decoding is performed.

## 3.3 ADC Acquisition Time Registers (ADACQx)

This stores the settling delay time for the CVD waveform. This value is part of the recalibration process and will be overwritten if the SxCAL bit is cleared (see [Register 3-4](#) and [Register 3-5](#)).

### REGISTER 3-4: ADACQ0: SENSOR 0'S ACQUISITION DELAY

U-0	U-0	U-0	R/W-0/u	R/W-0/u	R/W-0/u	R/W-0/u	R/W-0/u
—	—	—	S0ACQ<4:0>				
bit 7							bit 0

<b>Legend:</b>	
R = Readable bit	U = Unimplemented bit, read as '0'
u = Bit is unchanged	-n/n = Factory setting value/Value after all Resets
'1' = Bit is set	'0' = Bit is cleared
	W = Writable bit

bit 7-5      **Unimplemented:** Read as '0'  
bit 4-0      **S0ACQ<4:0>:** Sensor 0 Acquisition Delay bits

### REGISTER 3-5: ADACQ1: SENSOR 1'S ACQUISITION DELAY

U-0	U-0	U-0	R/W-0/u	R/W-0/u	R/W-0/u	R/W-0/u	R/W-0/u
—	—	—	S1ACQ<4:0>				
bit 7							bit 0

<b>Legend:</b>	
R = Readable bit	U = Unimplemented bit, read as '0'
u = Bit is unchanged	-n/n = Factory setting value/Value after all Resets
'1' = Bit is set	'0' = Bit is cleared
	W = Writable bit

bit 7-5      **Unimplemented:** Read as '0'  
bit 4-0      **S1ACQ<4:0>:** Sensor 1 Acquisition Delay bits

# MTCH112

## 3.4 Low-Power Control Register (LPCON)

This register provides the low-power options for the MTCH112. It determines how long the device will sleep when no detections have been made, and how fast the internal oscillator will run. If the CLKSEL bit is set, the valid VDD operating range will decrease. See the bit description in [Register 3-6](#) for more information.

**REGISTER 3-6: LPCON: LOW-POWER CONTROL REGISTER**

U-0	U-0	R/W-0/u	R/W-0/u	R/W-0/u	R/W-0/u	R/W-1/u	R/W-1/u
—	—	SLEEP<4:0>				CLKSEL	
bit 7						bit 0	

<b>Legend:</b>	
R = Readable bit	U = Unimplemented bit, read as '0'
u = Bit is unchanged	-n/n = Factory setting value/Value after all Resets
'1' = Bit is set	'0' = Bit is cleared
	W = Writable bit

- bit 7-6      **Unimplemented:** Read as '0'
- bit 5-1      **SLEEP<4:0>:** Sleep duration between scans when inactive
  - 00000 = 1 ms, typical sleep duration
  - 00001 = 2 ms, typical sleep duration
  - 00010 = 4 ms, typical sleep duration
  - 00011 = 8 ms, typical sleep duration
  - 00100 = 16 ms, typical sleep duration
  - 00101 = 32 ms, typical sleep duration
  - 00110 = 64 ms, typical sleep duration
  - 00111 = 128 ms, typical sleep duration
  - 01000 = 256 ms, typical sleep duration
  - 01001 = 512 ms, typical sleep duration
  - 01010 = 1 sec, typical sleep duration
  - 01011 = 2 sec, typical sleep duration
  - 01100 = 4 sec, typical sleep duration
  - 01101 = 8 sec, typical sleep duration
  - 01110 = 16 sec, typical sleep duration
  - 01111 = 32 sec, typical sleep duration
  - 10000 = 64 sec, typical sleep duration
  - 10001 = 128 sec, typical sleep duration
  - 10010 = 256 sec, typical sleep duration
  
  - 10011 = Reserved. Results in 1 ms sleep duration.
  - ...
  - 11111 = Reserved. Results in 1 ms sleep duration.
- bit 0      **CLKSEL:** Oscillator Selection bit
  - 1 = Internal oscillator runs at 32 MHz
    - Decreases response time
    - Increases power consumption
    - Valid VDD operating range when selected is 2.5V-3.6V
  - 0 = Internal oscillator runs at 16 MHz
    - Decreases response time
    - Increases power consumption
    - Valid VDD operating range when selected is 1.8V-3.6V



## 3.5 Press Threshold Register (PRESS\_THRESH)

The register stores the minimum shift amount of the signal away from the baseline that is required to activate a sensor as “*touched*”. The real-time threshold of the sensor is handled internally, based on current noise levels and the expected press amount. This value simply creates a lower bound. It is not mandatory unless the user wishes to ensure that the sensor is not too sensitive in low-noise environments (see [Register 3-7](#)).

### REGISTER 3-7: PRESS\_THRESH: PRESS THRESHOLD REGISTER

R/W-0/u	R/W-0/u	R/W-0/u	R/W-0/u	R/W-0/u	R/W-0/u	R/W-0/u	R/W-0/u
PRESS_THSH<7:0>							
bit 7				bit 0			

#### Legend:

R = Readable bit	U = Unimplemented bit, read as '0'
u = Bit is unchanged	-n/n = Factory setting value/Value after all Resets
'1' = Bit is set	'0' = Bit is cleared
	W = Writable bit

bit 7-0      **PRESS\_THSH<7:0>**: Absolute Minimum Press Threshold

## 3.6 Proximity Threshold Register (PROX\_THRESH)

This register is identical to the Press Threshold register, except that it relates to the proximity detection. Increase this value to decrease the sensitivity of the sensor in low-noise environments (see [Register 3-8](#)).

### REGISTER 3-8: PROX\_THRESH: PROXIMITY THRESHOLD REGISTER

R/W-0/u	R/W-0/u	R/W-0/u	R/W-0/u	R/W-0/u	R/W-0/u	R/W-0/u	R/W-0/u
PROX_THSH<7:0>							
bit 7				bit 0			

#### Legend:

R = Readable bit	U = Unimplemented bit, read as '0'
u = Bit is unchanged	-n/n = Factory setting value/Value after all Resets
'1' = Bit is set	'0' = Bit is cleared
	W = Writable bit

bit 7-0      **PROX\_THSH<7:0>**: Absolute Minimum Proximity Threshold

# MTCH112

## 3.7 16-bit Time-Out Register (TIMEOUT\_L and TIMEOUT\_H)

This set of registers determines how long the 'detected' state is able to remain activated before automatically being reset to a non-detected state. It also determines how long after no changes in the environment have occurred before setting the controller to its Idle state. When in Idle state, the system will sleep (see [Register 3-6](#)) between each reading (see [Register 3-9](#) and [Register 3-10](#)).

### REGISTER 3-9: TIMEOUT\_L: TIME-OUT COUNTER, LOW BYTE REGISTER

R/W-1/u	R/W-1/u	R/W-1/u	R/W-1/u	R/W-1/u	R/W-1/u	R/W-1/u	R/W-1/u
TIMEOUT<7:0>							
bit 7							bit 0

#### Legend:

R = Readable bit	U = Unimplemented bit, read as '0'
u = Bit is unchanged	-n/n = Factory setting value/Value after all Resets
'1' = Bit is set	'0' = Bit is cleared
	W = Writable bit

bit 7-0      **TIMEOUT<7:0>**: Time-out Counter Reload Value, Low Byte

### REGISTER 3-10: TIMEOUT\_H: TIME-OUT COUNTER, HIGH BYTE REGISTER

R/W-0/u	R/W-0/u	R/W-0/u	R/W-0/u	R/W-0/u	R/W-0/u	R/W-0/u	R/W-1/u
TIMEOUT<15:8>							
bit 7							bit 0

#### Legend:

R = Readable bit	U = Unimplemented bit, read as '0'
u = Bit is unchanged	-n/n = Factory setting value/Value after all Resets
'1' = Bit is set	'0' = Bit is cleared
	W = Writable bit

bit 7-0      **TIMEOUT<15:8>**: Time-out Counter Reload Value, High Byte

## 3.8 I<sup>2</sup>C Address Register (I<sup>2</sup>CADDR)

This register determines the I<sup>2</sup>C address of the slave. After writing to this register, command immediately should begin using the new address value (see [Register 3-11](#)).

### Register 3-11: I<sup>2</sup>CADDR: I<sup>2</sup>C™ Address Register

R/W-1/u	R/W-1/u	R/W-1/u	R/W-0/u	R/W-0/u	R/W-1/u	R/W-1/u	U-1
I <sup>2</sup> CADDR<7:1>							—
bit 7							bit 0

#### Legend:

R = Readable bit

U = Unimplemented bit, read as '0'

u = Bit is unchanged

-n/n = Factory setting value/Value after all Resets

'1' = Bit is set

'0' = Bit is cleared

W = Writable bit

bit 7-1      I<sup>2</sup>CADDR<7:1>: I<sup>2</sup>C Address for communication with the MTCH112.

bit 0      **Unimplemented:** Read as '0'

# MTCH112

## 3.9 State Register (STATE)

This register is read-only. It contains the current touch and proximity state of MTI0 and MTI1, and provides error information if a short is detected on any MTIx pin to VDD, VSS or the other MTIx pin (see [Register 3-12](#)).

**REGISTER 3-12: STATE: CURRENT SENSOR STATE REGISTER**

U-0	R-0/x	R-0/x	R-0/x	R-0/x	R-0/x	R-0/x	R-0/x
—	ERRSTATE<2:0>			S1PS	S0PS	S1BS	S0BS
bit 7							bit 0

<b>Legend:</b>	
R = Readable bit	U = Unimplemented bit, read as '0'
u = Bit is unchanged	-n/n = Factory setting value/Value after all Resets
'1' = Bit is set	'0' = Bit is cleared
	W = Writable bit

- bit 7            **Unimplemented:** Read as '0'
- bit 6-4        **ERRSTATE<2:0>:** Error Status Information bits
  - 000 = Both sensors floating correctly
  - 001 = Sensor 0 is shorted to VDD
  - 010 = Sensor 1 is shorted to VDD
  - 011 = Sensor 0 is shorted to VSS
  - 100 = Sensor 1 is shorted to VSS
  - 101 = Sensors are shorted together
  - 110 = Reserved
  - 111 = Reserved
- bit 3            **S1PS:** Sensor 1 Proximity Status bit
  - 1 = Proximity detected on Sensor 1
  - 0 = No proximity detected on Sensor 1
- bit 2            **S0PS:** Sensor 0 Proximity Status bit
  - 1 = Proximity detected on Sensor 0
  - 0 = No proximity detected on Sensor 0
- bit 1            **S1BS:** Sensor 1 Button Status bit
  - 1 = Button press detected on Sensor 1
  - 0 = No button press detected on Sensor 1
- bit 0            **S0BS:** Sensor 0 Button Status bit
  - 1 = Button press detected on Sensor 0
  - 0 = No button press detected on Sensor 0

## 3.10 Reading Registers (READINGxL and READINGxH)

These registers contain the current raw value of the MTIx pins. They are 13-bit values, but it is recommended to treat them as 16-bit values to more easily support future designs (see [Register 3-13](#) to [Register 3-16](#)).

### REGISTER 3-13: READING0L: SENSOR 0 READING VALUE, LOW BYTE

R-x	R-x	R-x	R-x	R-x	R-x	R-x	R-x
READING0L<7:0>							
bit 7							bit 0

#### Legend:

R = Readable bit	U = Unimplemented bit, read as '0'
u = Bit is unchanged	-n/n = Factory setting value/Value after all Resets
'1' = Bit is set	'0' = Bit is cleared
	W = Writable bit

bit 7-0      **READING0L<7:0>**: Sensor 0 Current Reading Value, Low Byte

### REGISTER 3-14: READING0H: SENSOR 0 READING VALUE, HIGH BYTE

U-0	U-0	U-0	R-x	R-x	R-x	R-x	R-x
—			READING0H<4:0>				
bit 7							bit 0

#### Legend:

R = Readable bit	U = Unimplemented bit, read as '0'
u = Bit is unchanged	-n/n = Factory setting value/Value after all Resets
'1' = Bit is set	'0' = Bit is cleared
	W = Writable bit

bit 7-5      **Unimplemented**: Read as '0'

bit 4-0      **READING0H<4:0>**: Sensor 0 Current Reading Value, High Byte

### REGISTER 3-15: READING1L: SENSOR 1 READING VALUE, LOW BYTE

R-x	R-x	R-x	R-x	R-x	R-x	R-x	R-x
READING1L<7:0>							
bit 7							bit 0

#### Legend:

R = Readable bit	U = Unimplemented bit, read as '0'
u = Bit is unchanged	-n/n = Factory setting value/Value after all Resets
'1' = Bit is set	'0' = Bit is cleared
	W = Writable bit

bit 7-0      **READING1L<7:0>**: Sensor 1 Current Reading Value, Low Byte

# MTCH112

## REGISTER 3-16: READING1H: SENSOR 1 READING VALUE, HIGH BYTE

U-0	U-0	U-0	R-x	R-x	R-x	R-x	R-x
—	—	—	READING1H<4:0>				
bit 7							bit 0

### Legend:

R = Readable bit	U = Unimplemented bit, read as '0'
u = Bit is unchanged	-n/n = Factory setting value/Value after all Resets
'1' = Bit is set	'0' = Bit is cleared
	W = Writable bit

bit 7-5      **Unimplemented:** Read as '0'

bit 4-0      **READING1H<4:0>:** Sensor 1 Current Reading Value, High Byte

### 3.11 Baseline Registers (BASELINExL and BASELINExH)

These registers contain the current baseline value of the MTIx pins. They are 13-bit values, but it is recommended to treat as unsigned 16-bit values to more easily support future designs (see [Register 3-17](#) to [Register 3-20](#)).

## REGISTER 3-17: BASELINE0L: SENSOR 0 BASELINE VALUE, LOW BYTE

R-x	R-x	R-x	R-x	R-x	R-x	R-x	R-x
BASELINE0L<7:0>							
bit 7							bit 0

### Legend:

R = Readable bit	U = Unimplemented bit, read as '0'
u = Bit is unchanged	-n/n = Factory setting value/Value after all Resets
'1' = Bit is set	'0' = Bit is cleared
	W = Writable bit

bit 7-0      **BASELINE0L<7:0>:** Sensor 0 Current Baseline Value, Low Byte

## REGISTER 3-18: BASELINE0H: SENSOR 0 BASELINE VALUE, HIGH BYTE

U-0	U-0	U-0	R-x	R-x	R-x	R-x	R-x
—	—	—	BASELINE0H<4:0>				
bit 7							bit 0

### Legend:

R = Readable bit	U = Unimplemented bit, read as '0'
u = Bit is unchanged	-n/n = Factory setting value/Value after all Resets
'1' = Bit is set	'0' = Bit is cleared
	W = Writable bit

bit 7-5      **Unimplemented:** Read as '0'

bit 4-0      **BASELINE0H<4:0>:** Sensor 0 Current Baseline Value, High Byte

**REGISTER 3-19: BASELINE1L: SENSOR 1 BASELINE VALUE, LOW BYTE**

R-x	R-x	R-x	R-x	R-x	R-x	R-x	R-x
BASELINE1L<7:0>							
bit 7							bit 0

**Legend:**

R = Readable bit	U = Unimplemented bit, read as '0'
u = Bit is unchanged	-n/n = Factory setting value/Value after all Resets
'1' = Bit is set	'0' = Bit is cleared
	W = Writable bit

bit 7-0      **BASELINE1L<7:0>**: Sensor 1 Current Baseline Value, Low Byte

**REGISTER 3-20: BASELINE1H: SENSOR 1 BASELINE VALUE, HIGH BYTE**

U-0	U-0	U-0	R-x	R-x	R-x	R-x	R-x
—	—	—	BASELINE1H<4:0>				
bit 7							bit 0

**Legend:**

R = Readable bit	U = Unimplemented bit, read as '0'
u = Bit is unchanged	-n/n = Factory setting value/Value after all Resets
'1' = Bit is set	'0' = Bit is cleared
	W = Writable bit

bit 7-5      **Unimplemented:** Read as '0'

bit 4-0      **BASELINE1H<4:0>**: Sensor 1 Current Baseline Value, High Byte

# MTCH112

**TABLE 3-1: REGISTER MAPPING**

Address	Name	Bit7	Bit6	Bit5	Bit4	Bit3	Bit2	Bit1	Bit0	
0x00	—	—	—	—	—	—	—	—	—	
0x01	OUTCON	—	—	—	—	S1POE	S0POE	S1BOE	S0BOE	
0x02	CALCON0	S0WS		—	—	—	—	S0CAL	—	
0x03	CALCON1	S1WS		—	—	—	—	S1CAL	S1EN	
0x04	ADACQ0				S0ACQ<4:0>					
0x05	ADACQ1				S1ACQ<4:0>					
0x06	LPCON			SLEEP<4:0>					CLKSEL	
0x07	PRESS_THRESH	PRESS_THSH<7:0>								
0x08	PROX_THRESH	PROX_THSH<7:0>								
0x09	TIMEOUT_L	TIMEOUT<7:0>								
0x0A	TIMEOUT_H	TIMEOUT<15:8>								
0x0B	I <sup>2</sup> CADDR	I <sup>2</sup> CADDR<7:1>								—
0x0C	—	—	—	—	—	—	—	—	—	
0x0D	—	—	—	—	—	—	—	—	—	
0x0E	—	—	—	—	—	—	—	—	—	
0x0F	—	—	—	—	—	—	—	—	—	
0x80	STATE	—	ERRSTATE<2:0>			S1PS	S0PS	S1BS	S0BS	
0x81	READING0L	READING0L<7:0>								
0x82	READING0H	—	—	—	READING0H<4:0>					
0x83	READING1L	READING1L<7:0>								
0x84	READING1H	—	—	—	READING1H<4:0>					
0x85	BASELINE0L	BASE0L<7:0>								
0x86	BASELINE0H	—	—	—	BASE0H<4:0>					
0x87	BASELINE1L	BASE1L<7:0>								
0x88	BASELINE1H	—	—	—	BASE1H<4:0>					



## 4.0 ELECTRICAL SPECIFICATIONS

### Absolute Maximum Ratings<sup>(†)</sup>

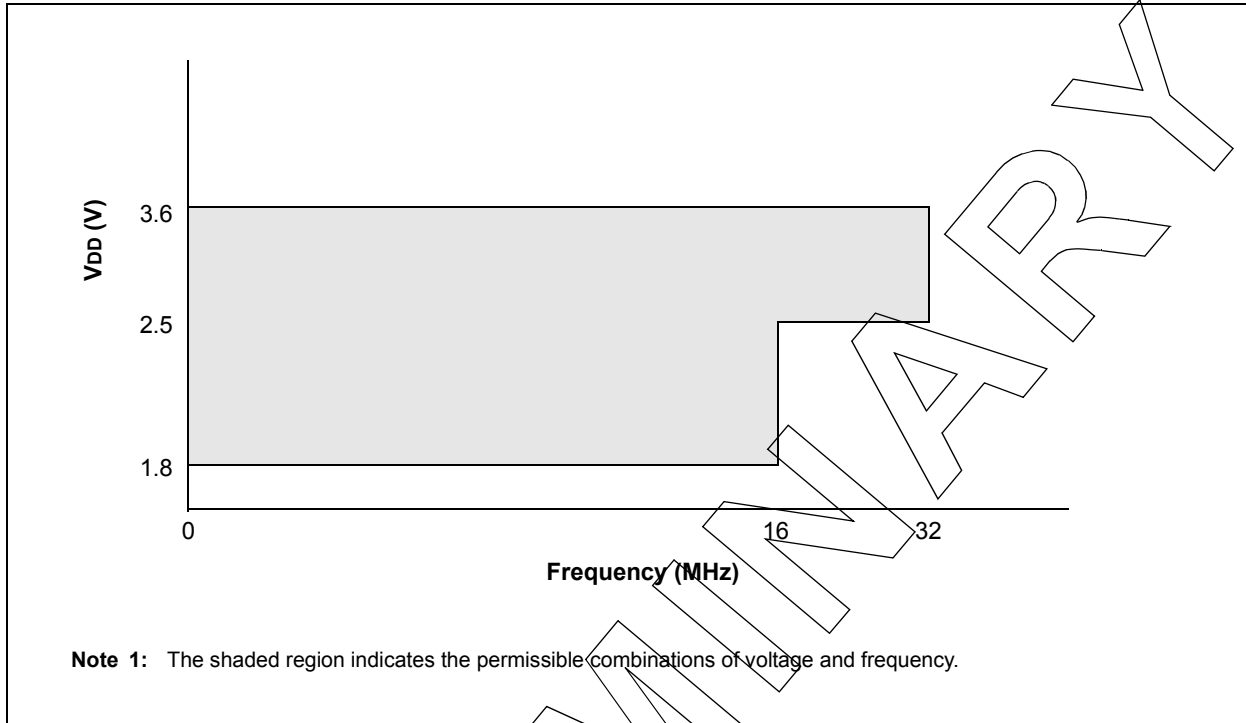
Ambient temperature under bias .....	-40°C to +125°C
Storage temperature .....	-65°C to +150°C
Voltage on VDD with respect to VSS .....	-0.3V to +4.0V
Voltage on $\overline{\text{MCLR}}$ with respect to VSS .....	-0.3V to +9.0V
Voltage on all other pins with respect to VSS .....	-0.3V to (VDD + 0.3V)
Total power dissipation <sup>(1)</sup> .....	800 mW
Maximum current out of VSS pin, -40°C ≤ TA ≤ +85°C for industrial .....	85 mA
Maximum current into VDD pin, -40°C ≤ TA ≤ +85°C for industrial .....	80 mA
Clamp current, I <sub>K</sub> (V <sub>PIN</sub> < 0 or V <sub>PIN</sub> > VDD) .....	± 20 mA
Maximum output current sunk by any I/O pin .....	25 mA
Maximum output current sourced by any I/O pin .....	25 mA

**Note 1:** Power dissipation is calculated as follows:  $P_{DIS} = V_{DD} \times (I_{DD} - \sum I_{OH}) + \sum \{(V_{DD} - V_{OH}) \times I_{OH}\} + \sum (V_{OL} \times I_{OL})$ .

† **NOTICE:** Stresses above those listed under “Absolute Maximum Ratings” may cause permanent damage to the device. This is a stress rating only and functional operation of the device at those or any other conditions above those indicated in the operation listings of this specification is not implied. Exposure to maximum rating conditions for extended periods may affect device reliability.

# MTCH112

**FIGURE 4-1: VOLTAGE FREQUENCY GRAPH,  $-40^{\circ}\text{C} \leq T_A \leq +125^{\circ}\text{C}$**



## 4.1 DC Characteristics: MTCH112

MTCH112		Standard Operating Conditions (unless otherwise stated) Operating temperature $-40^{\circ}\text{C} \leq T_A \leq +85^{\circ}\text{C}$ for industrial					
Param. No.	Sym.	Characteristic	Min.	Typ†	Max.	Units	Conditions
D001	VDD	Supply Voltage	1.8	—	3.6	V	CLKSEL = 0
			2.5	—	3.6	V	CLKSEL = 1
D002*	VDR	RAM Data Retention Voltage <sup>(1)</sup>	1.5	—	—	V	Device in Sleep mode
	VPOR*	Power-on Reset Release Voltage	—	1.6	—	V	
	VPORR*	Power-on Reset Rearm Voltage	—	0.8	—	V	Device in Sleep mode
D004*	SVDD	VDD Rise Rate to ensure internal Power-on Reset signal	0.05	—	—	V/ms	

\* These parameters are characterized but not tested.

† Data in "Typ" column is at 3.0V, 25°C unless otherwise stated. These parameters are for design guidance only and are not tested.

**Note 1:** This is the limit to which VDD can be lowered in Sleep mode without losing RAM data.

**TABLE 4-1: CURRENT CONSUMPTION**

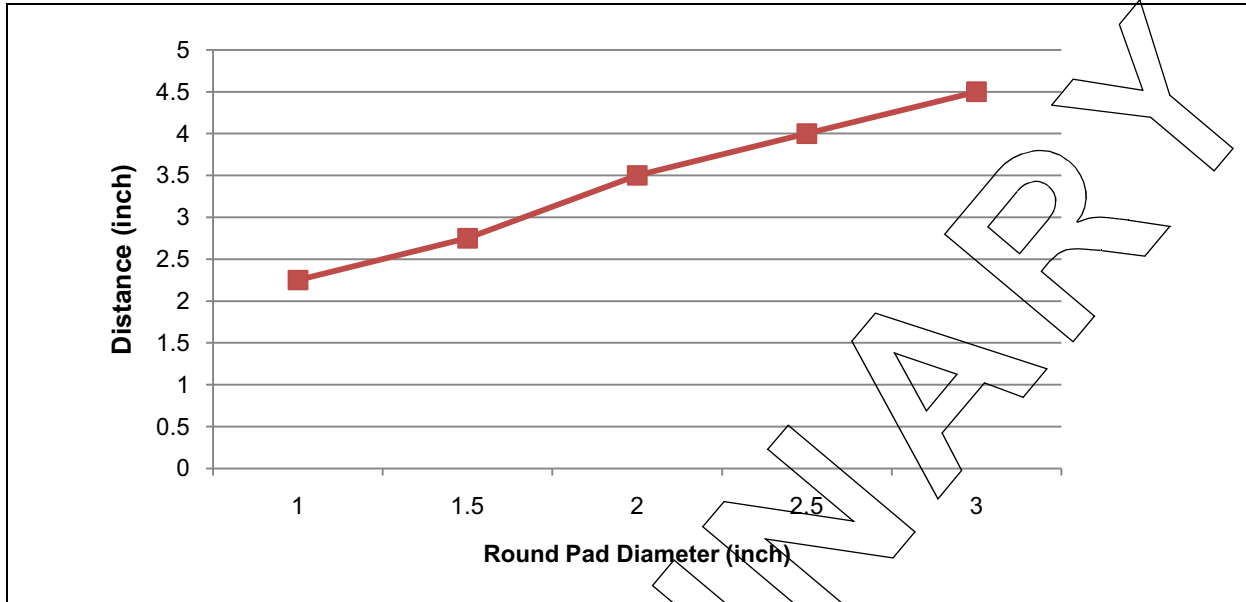
CLKSEL	Sleep (s)	1.8V	3.0V	CLKSEL	Sleep (s)	3.0V	3.6V
		Typ. (uA)	Typ. (uA)			Typ. (uA)	Typ. (uA)
16 MHz	0	640	990	32 MHz	0	1952	2350
	0.001	580	900		0.001	1780	2140
	0.002	540	830		0.002	1630	1970
	0.004	460	710		0.004	1400	1690
	0.008	360	560		0.008	1090	1320
	0.016	250	390		0.016	760	915
	0.032	160	240		0.032	470	570
	0.064	89	140		0.064	270	320
	0.128	48	74		0.128	150	170
	0.256	25	38		0.256	75	91
	0.512	13	20		0.512	39	46
	1	6.8	11		1	20	24
	2	3.6	5.5		2	10	12
	4	1.9	3.0		4	5	6
	8	1.1	1.8		8	3	3
	16	0.7	1.1		16	1.7	2
	32	0.5	0.8		32	1	1
	64	0.4	0.7		64	0.8	0.9
	128	0.3	0.6		128	0.7	0.7
256	0.3	0.5	256	0.6	0.6		

**TABLE 4-2: RESPONSE TIME<sup>(1)</sup>**

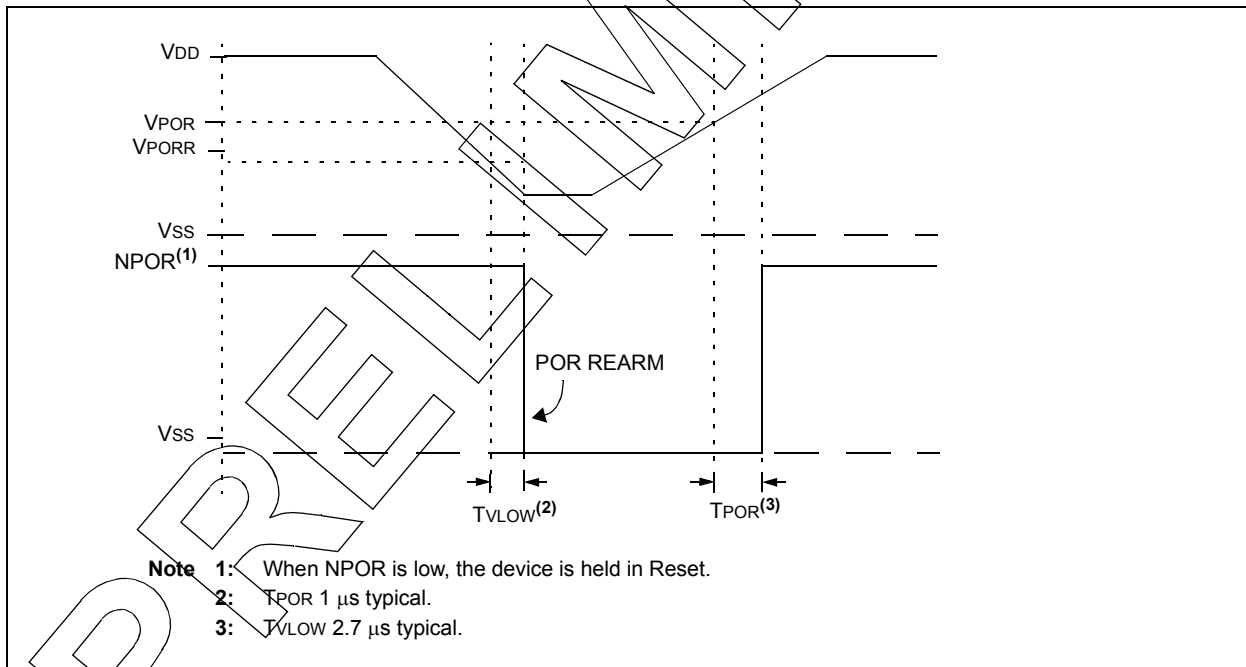
CLKSEL	Min.	Max.
1 (32 MHz)	20 ms	20 ms + LPCON
0 (16 MHz)	40 ms	40 ms + LPCON

**Note 1:** It assumes low and/or consistent environmental noise. Response times increase in high and/or erratic noise conditions.

**FIGURE 4-2: MAXIMUM PROXIMITY DISTANCE vs. SENSOR DIAMETER**



**FIGURE 4-3: POR AND POR REARM WITH SLOW RISING VDD**



## 4.2 DC Characteristics: MTCH112-I/E

DC CHARACTERISTICS			Standard Operating Conditions (unless otherwise stated) Operating temperature $-40^{\circ}\text{C} \leq T_A \leq +85^{\circ}\text{C}$ for industrial				
Param No.	Sym.	Characteristic	Min.	Typ†	Max.	Units	Conditions
D030A	V <sub>IL</sub>	<b>Input Low Voltage</b>					
		I/O PORT: with TTL buffer	—	—	0.15 V <sub>D</sub>	V	$1.8\text{V} \leq V_{DD} \leq 4.5\text{V}$
		with I <sup>2</sup> C™ levels	—	—	0.3 V <sub>DD</sub>	V	
MCLR	—	—	0.2 V <sub>DD</sub>	V			
D040A	V <sub>IH</sub>	<b>Input High Voltage</b>					
		I/O ports: with TTL buffer	0.25 V <sub>DD</sub> + 0.8	—	—	V	$1.8\text{V} \leq V_{DD} \leq 4.5\text{V}$
		with I <sup>2</sup> C™ levels	0.7 V <sub>DD</sub>	—	—	V	
		MCLR	0.8 V <sub>DD</sub>	—	—	V	
D060	I <sub>IL</sub>	<b>Input Leakage Current<sup>(1)</sup></b>					
		I/O ports	—	± 5	± 125	nA	$V_{SS} \leq V_{PIN} \leq V_{DD}$ , Pin at high-impedance at 85°C
D061	MCLR <sup>(2)</sup>	—	± 5	± 1000	nA	$V_{SS} \leq V_{PIN} \leq V_{DD}$ at 85°C	
			—	± 50	± 200		nA
D080	V <sub>OL</sub>	<b>Output Low Voltage<sup>(3)</sup></b>					
		I/O ports	—	—	0.6	V	I <sub>OL</sub> = 6 mA, V <sub>DD</sub> = 3.3V I <sub>OL</sub> = 1.8 mA, V <sub>DD</sub> = 1.8V
D090	V <sub>OH</sub>	<b>Output High Voltage<sup>(3)</sup></b>					
		I/O ports	V <sub>DD</sub> - 0.7	—	—	V	I <sub>OH</sub> = 3 mA, V <sub>DD</sub> = 3.3V I <sub>OH</sub> = 1 mA, V <sub>DD</sub> = 1.8V
D101A*	C <sub>IO</sub>	<b>Capacitive Loading Specs on Output Pins</b>					
		All I/O pins	—	—	50	pF	

\* These parameters are characterized but not tested.

† Data in "Typ" column is at 3.0V, 25°C unless otherwise stated. These parameters are for design guidance only and are not tested.

**Note 1:** Negative current is defined as current sourced by the pin.

**Note 2:** The leakage current on the MCLR pin is strongly dependent on the applied voltage level. The specified levels represent normal operating conditions. Higher leakage current may be measured at different input voltages.

**Note 3:** Including QSC2 in CLKOUT mode.

# MTCH112

## 4.3 Memory Programming Requirements

DC CHARACTERISTICS			Standard Operating Conditions (unless otherwise stated) Operating temperature $-40^{\circ}\text{C} \leq T_A \leq +125^{\circ}\text{C}$				
Param No.	Sym.	Characteristic	Min.	Typ†	Max.	Units	Conditions
D116	ED	Data EEPROM Memory Byte Endurance	100K	—	—	E/W	$-40^{\circ}\text{C}$ to $+85^{\circ}\text{C}$
D117	VDRW	VDD for Read/Write	VDDMIN	—	VDDMAX	V	
D118	TDEW	Erase/Write Cycle Time	—	4.0	5.0	ms	
D119	TRETD	Characteristic Retention	20	—	—	Year	Provided no other specifications are violated

† Data in "Typ" column is at 3.0V, 25°C unless otherwise stated. These parameters are for design guidance only and are not tested.

FIGURE 4-4: LOAD CONDITIONS

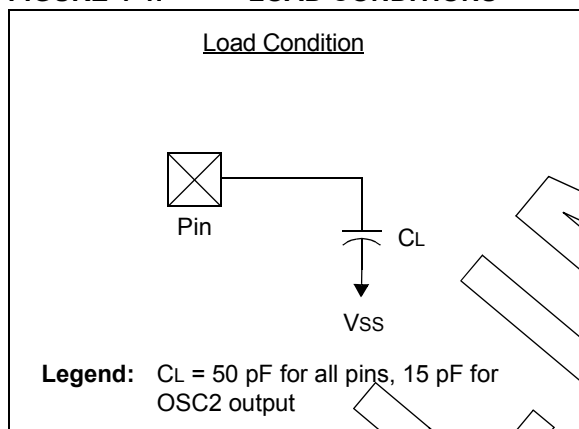


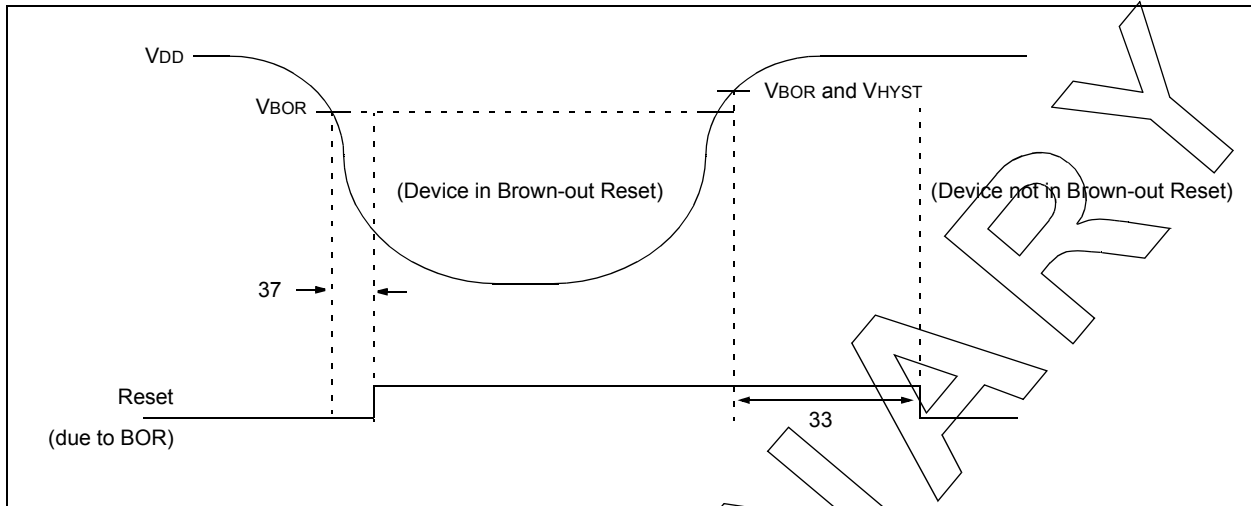
TABLE 4-3: CLKOUT AND I/O TIMING PARAMETERS

Standard Operating Conditions (unless otherwise stated) Operating Temperature $-40^{\circ}\text{C} \leq T_A \leq +125^{\circ}\text{C}$							
Param No.	Sym.	Characteristic	Min.	Typ†	Max.	Units	Conditions
OS18*	TioR	Port output rise time	—	90 55	140 80	ns	VDD = 1.8V VDD = 3.0-5.0V
OS19*	TioF	Port output fall time	—	60 44	80 60	ns	VDD = 1.8V VDD = 3.0-5.0V

\* These parameters are characterized but not tested.

† Data in "Typ" column is at 3.0V, 25°C unless otherwise stated.

**FIGURE 4-5: BROWN-OUT RESET TIMING AND CHARACTERISTICS**



**TABLE 4-4: RESET, WATCHDOG TIMER, OSCILLATOR START-UP TIMER, POWER-UP TIMER AND BROWN-OUT RESET PARAMETERS**

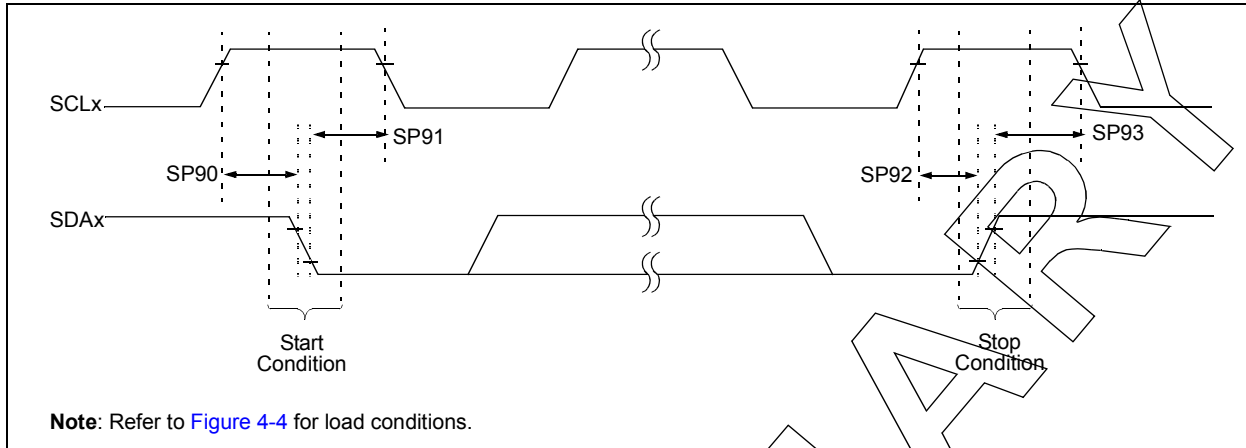
Standard Operating Conditions (unless otherwise stated) Operating Temperature $-40^{\circ}\text{C} \leq T_A \leq +125^{\circ}\text{C}$							
Param No.	Sym.	Characteristic	Min.	Typ†	Max.	Units	Conditions
30	TMCL	RESET Pulse Width (low)	2 5	—	—	$\mu\text{s}$ $\mu\text{s}$	$V_{DD} = 3.3\text{-}5\text{V}$ , $-40^{\circ}\text{C}$ to $+85^{\circ}\text{C}$ $V_{DD} = 3.3\text{-}5\text{V}$
31	TWDTLP	Watchdog Timer Time-out Period	10	16	27	ms	$V_{DD} = 3.3\text{V}\text{-}5\text{V}$ , 1:16 Prescaler used
33*	TPWRT	Power-up Timer Period	40	65	140	ms	
34*	TIOZ	I/O High-impedance from RESET Low or Watchdog Timer Reset	—	—	2.0	$\mu\text{s}$	
35	VBOR	Brown-out Reset Voltage	1.80	1.9	2.05	V	BORV=1.9V
37*	VHYST	Brown-out Reset Hysteresis	0	25	50	mV	$-40^{\circ}\text{C}$ to $+85^{\circ}\text{C}$
38*	TBORDC	Brown-out Reset DC Response Time	0	1	40	$\mu\text{s}$	$V_{DD} \leq V_{BOR}$

\* These parameters are characterized but not tested.

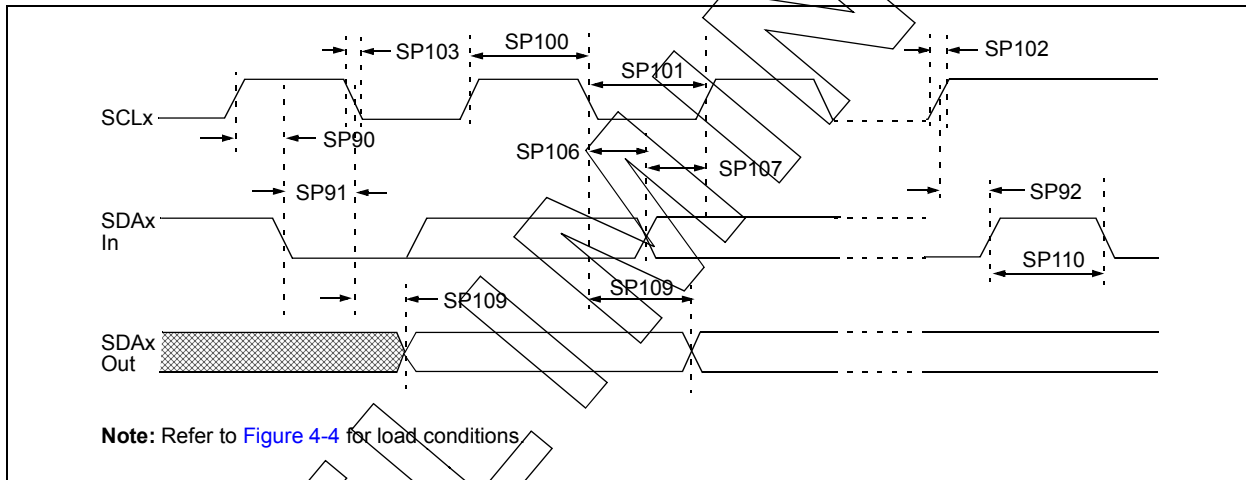
† Data in "Typ" column is at 3.0V, 25°C unless otherwise stated. These parameters are for design guidance only and are not tested.

# MTCH112

**FIGURE 4-6: I<sup>2</sup>C™ BUS START/STOP BITS TIMING**



**FIGURE 4-7: I<sup>2</sup>C™ BUS DATA TIMING**





**TABLE 4-5: I<sup>2</sup>C™ BUS DATA REQUIREMENTS**

Param. No.	Symbol	Characteristic		Min.	Max.	Units	Conditions
SP100*	THIGH	Clock high time	400 kHz mode	0.6	—	μs	Device must operate at a minimum of 10 MHz
			SSPx module	1.5T <sub>CY</sub>	—	—	
SP101*	TLOW	Clock low time	400 kHz mode	1.3	—	μs	Device must operate at a minimum of 10 MHz
SP102*	TR	SDAx and SCLx rise time	400 kHz mode	20 + 0.1C <sub>B</sub>	300	ns	C <sub>B</sub> is specified to be from 10-400 pF
SP103*	TF	SDAx and SCLx fall time	400 kHz mode	20 + 0.1C <sub>B</sub>	250	ns	C <sub>B</sub> is specified to be from 10-400 pF
SP106*	THD:DAT	Data input hold time	400 kHz mode	0	0.9	μs	
SP107*	TSU:DAT	Data input setup time	400 kHz mode	100	—	ns	
SP109*	TAA	Output valid from clock	400 kHz mode	—	—	ns	
SP110*	TBUF	Bus free time	400 kHz mode	1.3	—	μs	Time the bus must be free before a new transmission can start
SP111	C <sub>B</sub>	Bus capacitive loading		—	400	pF	

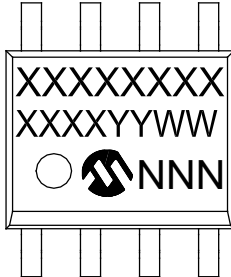
\* These parameters are characterized but not tested.

# MTCH112

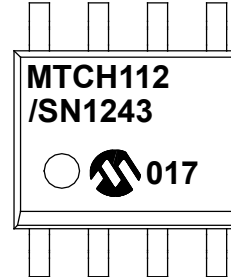
## 5.0 PACKAGING INFORMATION

### 5.1 Package Marking Information

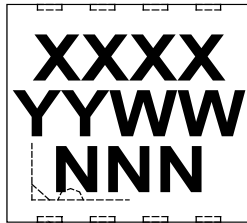
8-Lead SOIC (3.90 mm)



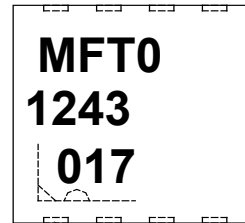
Example



8-Lead DFN (3x3x0.9 mm)



Example



<b>Legend:</b>	XX...X	Customer-specific information
	Y	Year code (last digit of calendar year)
	YY	Year code (last 2 digits of calendar year)
	WW	Week code (week of January 1 is week '01')
	NNN	Alphanumeric traceability code
	(e3)	Pb-free JEDEC designator for Matte Tin (Sn)
	*	This package is Pb-free. The Pb-free JEDEC designator (e3) can be found on the outer packaging for this package.
<b>Note:</b>	In the event the full Microchip part number cannot be marked on one line, it will be carried over to the next line, thus limiting the number of available characters for customer-specific information.	

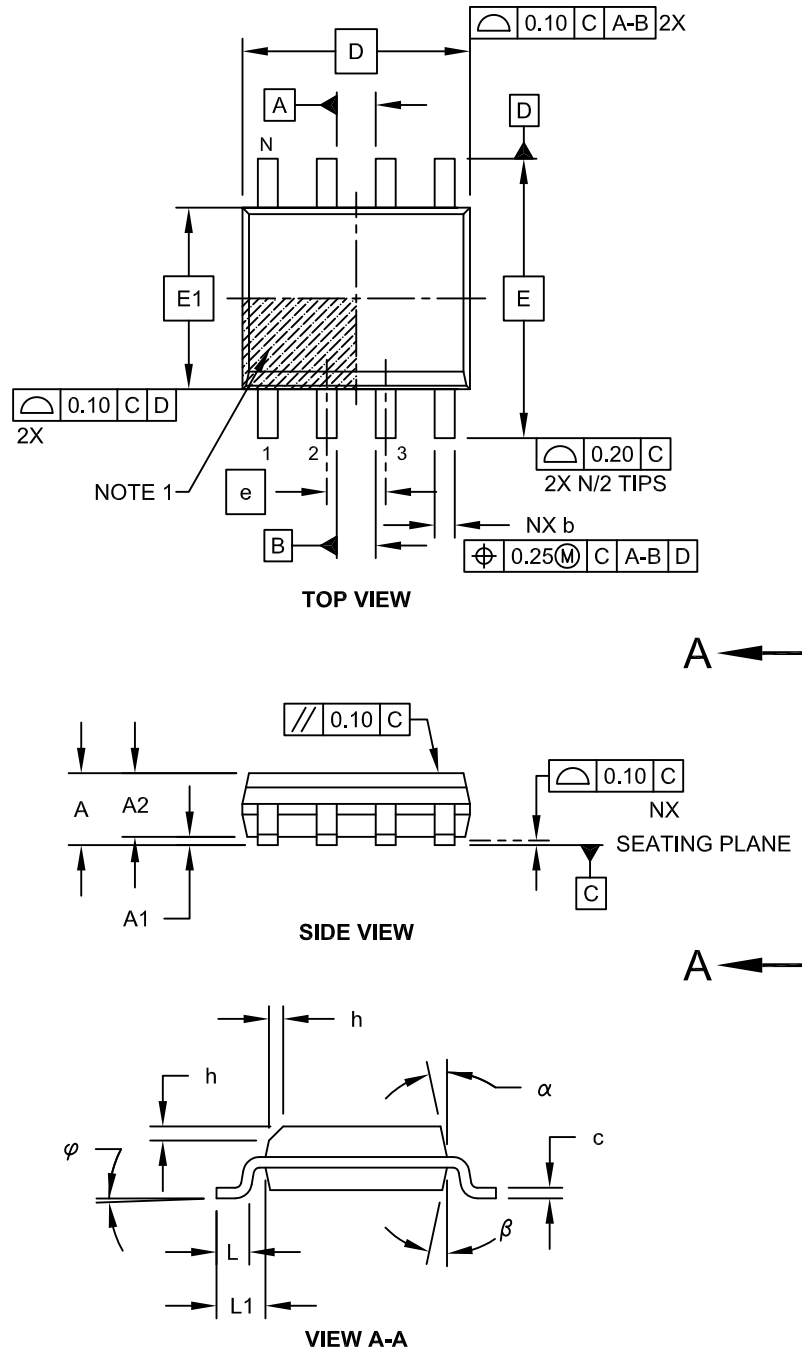
\* Standard PIC® device marking consists of Microchip part number, year code, week code, and traceability code. For PIC device marking beyond this, certain price adders apply. Please check with your Microchip Sales Office. For QTP devices, any special marking adders are included in QTP price.

## 5.2 Package Details

The following sections give the technical details of the packages.

### 8-Lead Plastic Small Outline (SN) - Narrow, 3.90 mm Body [SOIC]

**Note:** For the most current package drawings, please see the Microchip Packaging Specification located at <http://www.microchip.com/packaging>

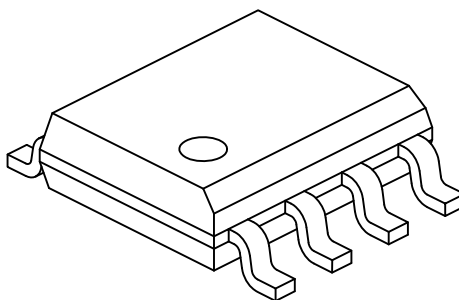


Microchip Technology Drawing No. C04-057C Sheet 1 of 2

# MTCH112

## 8-Lead Plastic Small Outline (SN) - Narrow, 3.90 mm Body [SOIC]

**Note:** For the most current package drawings, please see the Microchip Packaging Specification located at <http://www.microchip.com/packaging>



Dimension Limits	Units	MILLIMETERS		
		MIN	NOM	MAX
Number of Pins	N	8		
Pitch	e	1.27 BSC		
Overall Height	A	-	-	1.75
Molded Package Thickness	A2	1.25	-	-
Standoff §	A1	0.10	-	0.25
Overall Width	E	6.00 BSC		
Molded Package Width	E1	3.90 BSC		
Overall Length	D	4.90 BSC		
Chamfer (Optional)	h	0.25	-	0.50
Foot Length	L	0.40	-	1.27
Footprint	L1	1.04 REF		
Foot Angle	$\varphi$	0°	-	8°
Lead Thickness	c	0.17	-	0.25
Lead Width	b	0.31	-	0.51
Mold Draft Angle Top	$\alpha$	5°	-	15°
Mold Draft Angle Bottom	$\beta$	5°	-	15°

### Notes:

1. Pin 1 visual index feature may vary, but must be located within the hatched area.
2. § Significant Characteristic
3. Dimensions D and E1 do not include mold flash or protrusions. Mold flash or protrusions shall not exceed 0.15mm per side.
4. Dimensioning and tolerancing per ASME Y14.5M

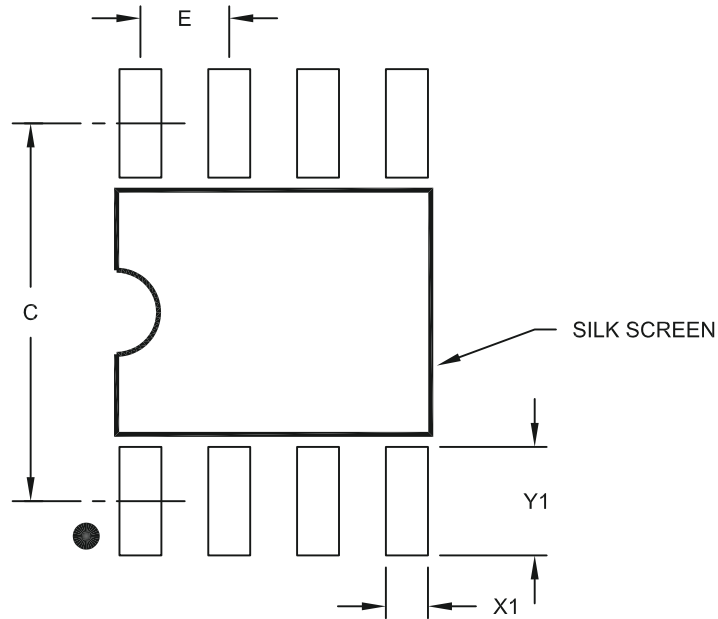
BSC: Basic Dimension. Theoretically exact value shown without tolerances.

REF: Reference Dimension, usually without tolerance, for information purposes only.

Microchip Technology Drawing No. C04-057C Sheet 2 of 2

## 8-Lead Plastic Small Outline (SN) – Narrow, 3.90 mm Body [SOIC]

**Note:** For the most current package drawings, please see the Microchip Packaging Specification located at <http://www.microchip.com/packaging>



RECOMMENDED LAND PATTERN

Dimension Limits	Units	MILLIMETERS		
		MIN	NOM	MAX
Contact Pitch	E		1.27 BSC	
Contact Pad Spacing	C		5.40	
Contact Pad Width (X8)	X1			0.60
Contact Pad Length (X8)	Y1			1.55

**Notes:**

1. Dimensioning and tolerancing per ASME Y14.5M

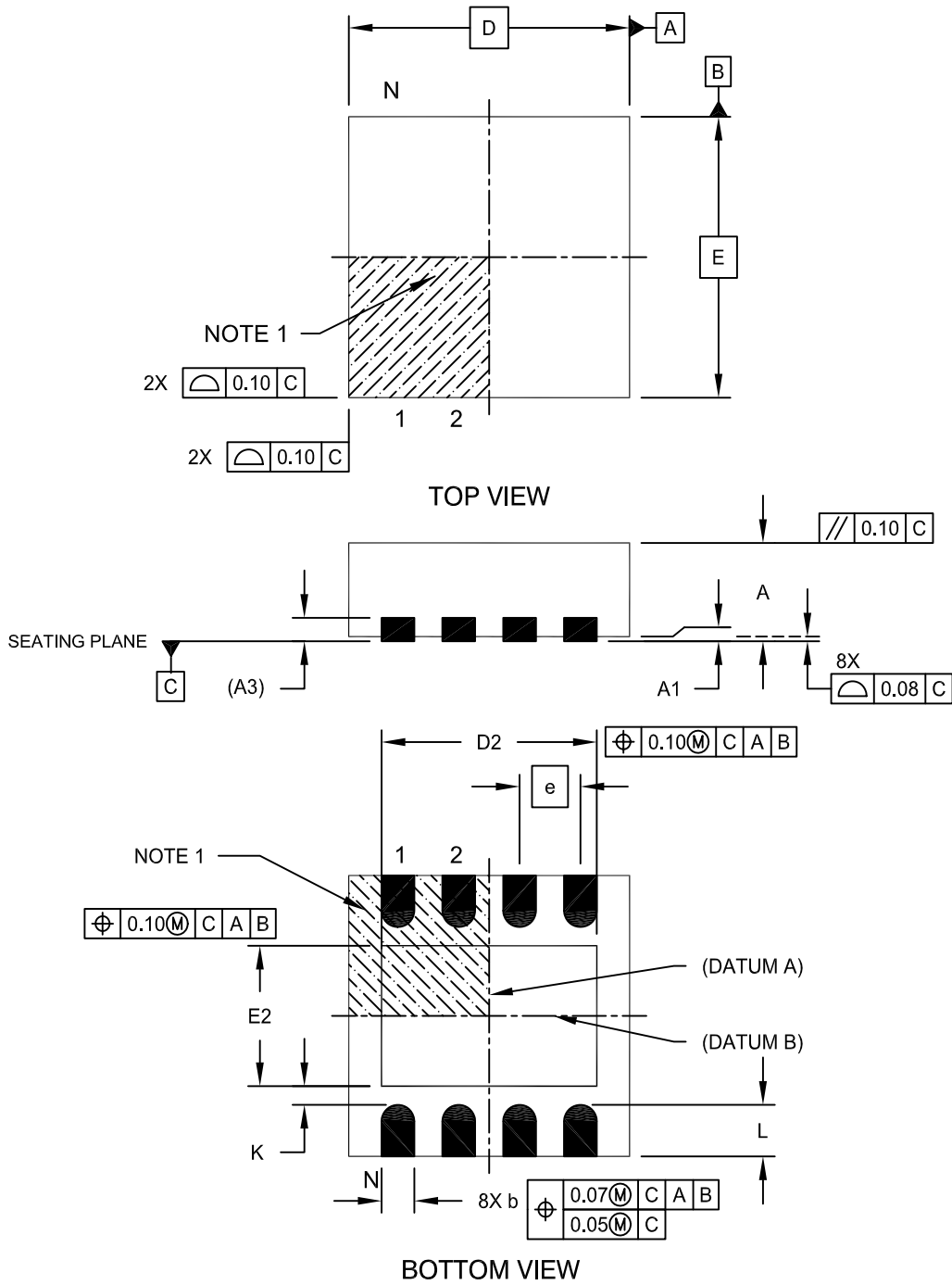
BSC: Basic Dimension. Theoretically exact value shown without tolerances.

Microchip Technology Drawing No. C04-2057A

# MTCH112

## 8-Lead Plastic Dual Flat, No Lead Package (MF) - 3x3x0.9mm Body [DFN]

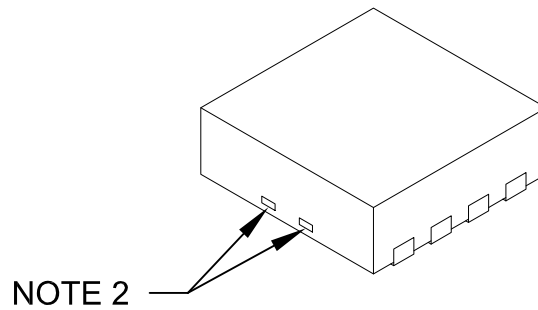
**Note:** For the most current package drawings, please see the Microchip Packaging Specification located at <http://www.microchip.com/packaging>



Microchip Technology Drawing No. C04-062C Sheet 1 of 2

## 8-Lead Plastic Dual Flat, No Lead Package (MF) - 3x3x0.9mm Body [DFN]

**Note:** For the most current package drawings, please see the Microchip Packaging Specification located at <http://www.microchip.com/packaging>



Dimension Limits	Units	MILLIMETERS		
		MIN	NOM	MAX
Number of Pins	N	8		
Pitch	e	0.65 BSC		
Overall Height	A	0.80	0.90	1.00
Standoff	A1	0.00	0.02	0.05
Contact Thickness	A3	0.20 REF		
Overall Length	D	3.00 BSC		
Exposed Pad Width	E2	1.34	-	1.60
Overall Width	E	3.00 BSC		
Exposed Pad Length	D2	1.60	-	2.40
Contact Width	b	0.25	0.30	0.35
Contact Length	L	0.20	0.30	0.55
Contact-to-Exposed Pad	K	0.20	-	-

**Notes:**

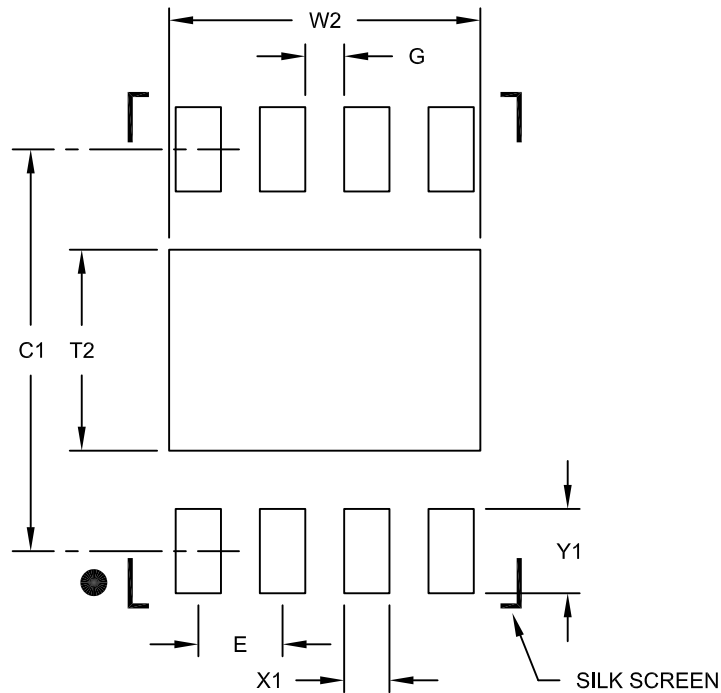
- Pin 1 visual index feature may vary, but must be located within the hatched area.
- Package may have one or more exposed tie bars at ends.
- Package is saw singulated
- Dimensioning and tolerancing per ASME Y14.5M
  - BSC: Basic Dimension. Theoretically exact value shown without tolerances.
  - REF: Reference Dimension, usually without tolerance, for information purposes only.

Microchip Technology Drawing No. C04-062C Sheet 2 of 2

# MTCH112

## 8-Lead Plastic Dual Flat, No Lead Package (MF) - 3x3x0.9mm Body [DFN]

**Note:** For the most current package drawings, please see the Microchip Packaging Specification located at <http://www.microchip.com/packaging>



RECOMMENDED LAND PATTERN

Dimension Limits	Units	MILLIMETERS		
		MIN	NOM	MAX
Contact Pitch	E	0.65 BSC		
Optional Center Pad Width	W2			2.40
Optional Center Pad Length	T2			1.55
Contact Pad Spacing	C1		3.10	
Contact Pad Width (X8)	X1			0.35
Contact Pad Length (X8)	Y1			0.65
Distance Between Pads	G	0.30		

**Notes:**

1. Dimensioning and tolerancing per ASME Y14.5M

BSC: Basic Dimension. Theoretically exact value shown without tolerances.

Microchip Technology Drawing No. C04-2062B



## APPENDIX A: DATA SHEET REVISION HISTORY

### Revision A (11/2012)

Initial release of this data sheet.

# MTCH112

---

## INDEX

### Symbols

I2C Hardware Interface ..... 6

### Numerics

16-bit Time-out Register (TIMEOUT\_L and TIMEOUT\_H) . 18

### A

Absolute Maximum Ratings ..... 25

ADC Acquisition Time Registers (ADACQx) ..... 15

### B

Baseline Registers (BASELINExL and BASELINExH) ..... 22

Brown-out Reset (BOR)

    Specifications ..... 31

    Timing and Characteristics ..... 31

### C

Calibration Control Registers (CALCONx) ..... 14

Configuration Registers ..... 13

Customer Change Notification Service ..... 43

Customer Notification Service ..... 43

Customer Support ..... 43

### D

DC Characteristics

    Industrial ..... 29

    MTCH112 ..... 26

Device Overview ..... 3

### E

Electrical Specifications ..... 25

Errata ..... 2

### F

Features ..... 1

### I

I2C Address Register (I2CADDR) ..... 19

I2C™ Communications and Protocol ..... 6

Internet Address ..... 43

### L

Low Power Control Register (LPCON) ..... 16

### M

Microchip Internet Web Site ..... 43

### O

Oscillator Start-up Timer (OST)

    Specifications ..... 31

Output Control Register (OUTCON) ..... 13

### P

Package Type ..... 1

Packaging

    SOIC, DFN ..... 35

Packaging Information ..... 34

Power-up Timer (PWRT)

    Specifications ..... 31

Press Threshold Register (PRESS\_THRESH) ..... 17

Proximity Threshold Register (PROX\_THRESH) ..... 17

### R

Reader Response ..... 44

Reading Registers (READINGxL and READINGxH) ..... 21

Register Mapping ..... 24

Revision History ..... 41

### S

State Register (STATE) ..... 20

### T

Timing Diagrams

    Brown-out Reset (BOR) ..... 31

    I<sup>2</sup>C Bus Data ..... 32

Timing Requirements

    I<sup>2</sup>C Bus Data ..... 33

### W

WWW Address ..... 43

WWW, On-Line Support ..... 2

## THE MICROCHIP WEB SITE

Microchip provides online support via our WWW site at [www.microchip.com](http://www.microchip.com). This web site is used as a means to make files and information easily available to customers. Accessible by using your favorite Internet browser, the web site contains the following information:

- **Product Support** – Data sheets and errata, application notes and sample programs, design resources, user's guides and hardware support documents, latest software releases and archived software
- **General Technical Support** – Frequently Asked Questions (FAQ), technical support requests, online discussion groups, Microchip consultant program member listing
- **Business of Microchip** – Product selector and ordering guides, latest Microchip press releases, listing of seminars and events, listings of Microchip sales offices, distributors and factory representatives

## CUSTOMER CHANGE NOTIFICATION SERVICE

Microchip's customer notification service helps keep customers current on Microchip products. Subscribers will receive e-mail notification whenever there are changes, updates, revisions or errata related to a specified product family or development tool of interest.

To register, access the Microchip web site at [www.microchip.com](http://www.microchip.com). Under "Support", click on "Customer Change Notification" and follow the registration instructions.

## CUSTOMER SUPPORT

Users of Microchip products can receive assistance through several channels:

- Distributor or Representative
- Local Sales Office
- Field Application Engineer (FAE)
- Technical Support
- Development Systems Information Line

Customers should contact their distributor, representative or field application engineer (FAE) for support. Local sales offices are also available to help customers. A listing of sales offices and locations is included in the back of this document.

**Technical support is available through the web site at: <http://microchip.com/support>**

# MTCH112

---

---

## READER RESPONSE

It is our intention to provide you with the best documentation possible to ensure successful use of your Microchip product. If you wish to provide your comments on organization, clarity, subject matter, and ways in which our documentation can better serve you, please FAX your comments to the Technical Publications Manager at (480) 792-4150.

Please list the following information, and use this outline to provide us with your comments about this document.

TO: Technical Publications Manager Total Pages Sent \_\_\_\_\_

RE: Reader Response

From: Name \_\_\_\_\_

Company \_\_\_\_\_

Address \_\_\_\_\_

City / State / ZIP / Country \_\_\_\_\_

Telephone: (\_\_\_\_\_) \_\_\_\_\_ - \_\_\_\_\_ FAX: (\_\_\_\_\_) \_\_\_\_\_ - \_\_\_\_\_

Application (optional):

Would you like a reply?  Y  N

Device: MTCH112

Literature Number: DS41668A

Questions:

1. What are the best features of this document?

\_\_\_\_\_  
\_\_\_\_\_

2. How does this document meet your hardware and software development needs?

\_\_\_\_\_  
\_\_\_\_\_

3. Do you find the organization of this document easy to follow? If not, why?

\_\_\_\_\_  
\_\_\_\_\_

4. What additions to the document do you think would enhance the structure and subject?

\_\_\_\_\_  
\_\_\_\_\_

5. What deletions from the document could be made without affecting the overall usefulness?

\_\_\_\_\_  
\_\_\_\_\_

6. Is there any incorrect or misleading information (what and where)?

\_\_\_\_\_  
\_\_\_\_\_

7. How would you improve this document?

\_\_\_\_\_  
\_\_\_\_\_

## PRODUCT IDENTIFICATION SYSTEM

To order or obtain information, e.g., on pricing or delivery, refer to the factory or the listed sales office.

<u>PART NO.</u>	<u>[X]<sup>(1)</sup></u>	-	<u>X</u>	<u>/XX</u>	<u>XXX</u>
Device	Tape and Reel Option		Temperature Range	Package	Pattern
<b>Device:</b>	MTCH112				
<b>Tape and Reel Option:</b>	Blank	=	Standard packaging (tube or tray)		
	T	=	Tape and Reel <sup>(1)</sup>		
<b>Temperature Range:</b>	I	=	-40°C to +85°C (Industrial)		
<b>Package:<sup>(2)</sup></b>	SN	=	SOIC		
	MF	=	DFN		
<b>Pattern:</b>	QTP, SQTP, Code or Special Requirements (blank otherwise)				

**Examples:**

a) MTCH112 - I/MF  
Industrial temperature,  
DFN package

**Note 1:** Tape and Reel identifier only appears in the catalog part number description. This identifier is used for ordering purposes and is not printed on the device package. Check with your Microchip Sales Office for package availability with the Tape and Reel option.

**2:** For other small form-factor package availability and marking information, please visit [www.microchip.com/packaging](http://www.microchip.com/packaging) or contact your local sales office.

# MTCH112

---

NOTES:

---

**Note the following details of the code protection feature on Microchip devices:**

- Microchip products meet the specification contained in their particular Microchip Data Sheet.
- Microchip believes that its family of products is one of the most secure families of its kind on the market today, when used in the intended manner and under normal conditions.
- There are dishonest and possibly illegal methods used to breach the code protection feature. All of these methods, to our knowledge, require using the Microchip products in a manner outside the operating specifications contained in Microchip's Data Sheets. Most likely, the person doing so is engaged in theft of intellectual property.
- Microchip is willing to work with the customer who is concerned about the integrity of their code.
- Neither Microchip nor any other semiconductor manufacturer can guarantee the security of their code. Code protection does not mean that we are guaranteeing the product as “unbreakable.”

Code protection is constantly evolving. We at Microchip are committed to continuously improving the code protection features of our products. Attempts to break Microchip's code protection feature may be a violation of the Digital Millennium Copyright Act. If such acts allow unauthorized access to your software or other copyrighted work, you may have a right to sue for relief under that Act.

---

Information contained in this publication regarding device applications and the like is provided only for your convenience and may be superseded by updates. It is your responsibility to ensure that your application meets with your specifications. MICROCHIP MAKES NO REPRESENTATIONS OR WARRANTIES OF ANY KIND WHETHER EXPRESS OR IMPLIED, WRITTEN OR ORAL, STATUTORY OR OTHERWISE, RELATED TO THE INFORMATION, INCLUDING BUT NOT LIMITED TO ITS CONDITION, QUALITY, PERFORMANCE, MERCHANTABILITY OR FITNESS FOR PURPOSE. Microchip disclaims all liability arising from this information and its use. Use of Microchip devices in life support and/or safety applications is entirely at the buyer's risk, and the buyer agrees to defend, indemnify and hold harmless Microchip from any and all damages, claims, suits, or expenses resulting from such use. No licenses are conveyed, implicitly or otherwise, under any Microchip intellectual property rights.

#### **Trademarks**

The Microchip name and logo, the Microchip logo, dsPIC, FlashFlex, KEELOQ, KEELOQ logo, MPLAB, PIC, PICmicro, PICSTART, PIC<sup>32</sup> logo, rPIC, SST, SST Logo, SuperFlash and UNI/O are registered trademarks of Microchip Technology Incorporated in the U.S.A. and other countries.

FilterLab, Hampshire, HI-TECH C, Linear Active Thermistor, MTP, SEEVAL and The Embedded Control Solutions Company are registered trademarks of Microchip Technology Incorporated in the U.S.A.

Silicon Storage Technology is a registered trademark of Microchip Technology Inc. in other countries.


Analog-for-the-Digital Age, Application Maestro, BodyCom, chipKIT, chipKIT logo, CodeGuard, dsPICDEM, dsPICDEM.net, dsPICworks, dsSPEAK, ECAN, ECONOMONITOR, FanSense, HI-TIDE, In-Circuit Serial Programming, ICSP, Mindi, MiWi, MPASM, MPF, MPLAB Certified logo, MPLIB, MPLINK, mTouch, Omniclient Code Generation, PICC, PICC-18, PICDEM, PICDEM.net, PICkit, PICtail, REAL ICE, rLAB, Select Mode, SQI, Serial Quad I/O, Total Endurance, TSHARC, UniWinDriver, WiperLock, ZENA and Z-Scale are trademarks of Microchip Technology Incorporated in the U.S.A. and other countries.

SQTP is a service mark of Microchip Technology Incorporated in the U.S.A.

GestIC and ULPP are registered trademarks of Microchip Technology Germany II GmbH & Co. & KG, a subsidiary of Microchip Technology Inc., in other countries.

All other trademarks mentioned herein are property of their respective companies.

© 2012, Microchip Technology Incorporated, Printed in the U.S.A., All Rights Reserved.

 Printed on recycled paper.

ISBN: 9781620767108

**QUALITY MANAGEMENT SYSTEM**  
**CERTIFIED BY DNV**  
**== ISO/TS 16949 ==**

*Microchip received ISO/TS-16949:2009 certification for its worldwide headquarters, design and wafer fabrication facilities in Chandler and Tempe, Arizona; Gresham, Oregon and design centers in California and India. The Company's quality system processes and procedures are for its PIC® MCUs and dsPIC® DSCs, KEELOQ® code hopping devices, Serial EEPROMs, microperipherals, nonvolatile memory and analog products. In addition, Microchip's quality system for the design and manufacture of development systems is ISO 9001:2000 certified.*



# MICROCHIP

## Worldwide Sales and Service

### AMERICAS

**Corporate Office**  
2355 West Chandler Blvd.  
Chandler, AZ 85224-6199  
Tel: 480-792-7200  
Fax: 480-792-7277  
Technical Support:  
<http://www.microchip.com/support>  
Web Address:  
[www.microchip.com](http://www.microchip.com)

**Atlanta**  
Duluth, GA  
Tel: 678-957-9614  
Fax: 678-957-1455

**Boston**  
Westborough, MA  
Tel: 774-760-0087  
Fax: 774-760-0088

**Chicago**  
Itasca, IL  
Tel: 630-285-0071  
Fax: 630-285-0075

**Cleveland**  
Independence, OH  
Tel: 216-447-0464  
Fax: 216-447-0643

**Dallas**  
Addison, TX  
Tel: 972-818-7423  
Fax: 972-818-2924

**Detroit**  
Farmington Hills, MI  
Tel: 248-538-2250  
Fax: 248-538-2260

**Indianapolis**  
Noblesville, IN  
Tel: 317-773-8323  
Fax: 317-773-5453

**Los Angeles**  
Mission Viejo, CA  
Tel: 949-462-9523  
Fax: 949-462-9608

**Santa Clara**  
Santa Clara, CA  
Tel: 408-961-6444  
Fax: 408-961-6445

**Toronto**  
Mississauga, Ontario,  
Canada  
Tel: 905-673-0699  
Fax: 905-673-6509

### ASIA/PACIFIC

**Asia Pacific Office**  
Suites 3707-14, 37th Floor  
Tower 6, The Gateway  
Harbour City, Kowloon  
Hong Kong  
Tel: 852-2401-1200  
Fax: 852-2401-3431

**Australia - Sydney**  
Tel: 61-2-9868-6733  
Fax: 61-2-9868-6755

**China - Beijing**  
Tel: 86-10-8569-7000  
Fax: 86-10-8528-2104

**China - Chengdu**  
Tel: 86-28-8665-5511  
Fax: 86-28-8665-7889

**China - Chongqing**  
Tel: 86-23-8980-9588  
Fax: 86-23-8980-9500

**China - Hangzhou**  
Tel: 86-571-2819-3187  
Fax: 86-571-2819-3189

**China - Hong Kong SAR**  
Tel: 852-2943-5100  
Fax: 852-2401-3431

**China - Nanjing**  
Tel: 86-25-8473-2460  
Fax: 86-25-8473-2470

**China - Qingdao**  
Tel: 86-532-8502-7355  
Fax: 86-532-8502-7205

**China - Shanghai**  
Tel: 86-21-5407-5533  
Fax: 86-21-5407-5066

**China - Shenyang**  
Tel: 86-24-2334-2829  
Fax: 86-24-2334-2393

**China - Shenzhen**  
Tel: 86-755-8864-2200  
Fax: 86-755-8203-1760

**China - Wuhan**  
Tel: 86-27-5980-5300  
Fax: 86-27-5980-5118

**China - Xian**  
Tel: 86-29-8833-7252  
Fax: 86-29-8833-7256

**China - Xiamen**  
Tel: 86-592-2388138  
Fax: 86-592-2388130

**China - Zhuhai**  
Tel: 86-756-3210040  
Fax: 86-756-3210049

### ASIA/PACIFIC

**India - Bangalore**  
Tel: 91-80-3090-4444  
Fax: 91-80-3090-4123

**India - New Delhi**  
Tel: 91-11-4160-8631  
Fax: 91-11-4160-8632

**India - Pune**  
Tel: 91-20-2566-1512  
Fax: 91-20-2566-1513

**Japan - Osaka**  
Tel: 81-6-6152-7160  
Fax: 81-6-6152-9310

**Japan - Tokyo**  
Tel: 81-3-6880-3770  
Fax: 81-45-471-6122

**Korea - Daegu**  
Tel: 82-53-744-4301  
Fax: 82-53-744-4302

**Korea - Seoul**  
Tel: 82-2-554-7200  
Fax: 82-2-558-5932 or  
82-2-558-5934

**Malaysia - Kuala Lumpur**  
Tel: 60-3-6201-9857  
Fax: 60-3-6201-9859

**Malaysia - Penang**  
Tel: 60-4-227-8870  
Fax: 60-4-227-4068

**Philippines - Manila**  
Tel: 63-2-634-9065  
Fax: 63-2-634-9069

**Singapore**  
Tel: 65-6334-8870  
Fax: 65-6334-8850

**Taiwan - Hsin Chu**  
Tel: 886-3-5778-366  
Fax: 886-3-5770-955

**Taiwan - Kaohsiung**  
Tel: 886-7-213-7828  
Fax: 886-7-330-9305

**Taiwan - Taipei**  
Tel: 886-2-2508-8600  
Fax: 886-2-2508-0102

**Thailand - Bangkok**  
Tel: 66-2-694-1351  
Fax: 66-2-694-1350

### EUROPE

**Austria - Wels**  
Tel: 43-7242-2244-39  
Fax: 43-7242-2244-393

**Denmark - Copenhagen**  
Tel: 45-4450-2828  
Fax: 45-4485-2829

**France - Paris**  
Tel: 33-1-69-53-63-20  
Fax: 33-1-69-30-90-79

**Germany - Munich**  
Tel: 49-89-627-144-0  
Fax: 49-89-627-144-44

**Italy - Milan**  
Tel: 39-0331-742611  
Fax: 39-0331-466781

**Netherlands - Drunen**  
Tel: 31-416-690399  
Fax: 31-416-690340

**Spain - Madrid**  
Tel: 34-91-708-08-90  
Fax: 34-91-708-08-91

**UK - Wokingham**  
Tel: 44-118-921-5869  
Fax: 44-118-921-5820

11/27/12



## X-ON Electronics

Largest Supplier of Electrical and Electronic Components

*Click to view similar products for [Proximity Sensors](#) category:*

*Click to view products by [Microchip](#) manufacturer:*

Other Similar products are found below :

[01.001.5653.1](#) [70.340.1028.0](#) [70.360.2428.0](#) [70.364.4828.0](#) [70.810.1053.0](#) [72.360.1628.0](#) [73.363.6428.0](#) [8027AL20NL2CPXX](#) [FYCC8E1-2](#)  
[9221350022](#) [922AA2W-A9P-L](#) [PLS2](#) [GL-12F-C2.5X10\(LOT3\)](#) [972AB2XM-A3N-L](#) [972AB3XM-A3P-L](#) [PS3251](#) [980659-1](#) [QT-12](#) [E2E2-](#)  
[X5M41-M4](#) [E2E-X14MD1-G](#) [E2E-X2D1-G](#) [E2EX2ME2N](#) [E2EX3D1SM1N](#) [E2E-X4MD1-G](#) [E2E-X5E1-5M-N](#) [E2E-X5Y2-N](#) [E2E-X7D1-](#)  
[M1J-T-0.3M-N](#) [E2FMX1R5D12M](#) [E2K-F10MC1](#) [5M](#) [EH-302](#) [EI3010TBOP](#) [EI5515NPAP](#) [MS605AU](#) [EP175-32000](#) [BSA-08-25-08](#)  
[IFRM04N35B1/L](#) [IFRM04P1513/S35L](#) [IFRM06P1703/S35L](#) [IFRM08P1501/S35L](#) [IFRM12N17G3/L](#) [IFRM12P17G3/L](#) [IFRM12P3502/L](#)  
[IFRM12P37G1/S14L](#) [ILFK12E9189/I02](#) [ILFK12E9193/I02](#) [IMM2582C](#) [OISN-013](#) [25.161.3253.0](#) [25.332.0653.1](#) [25.352.0653.0](#)