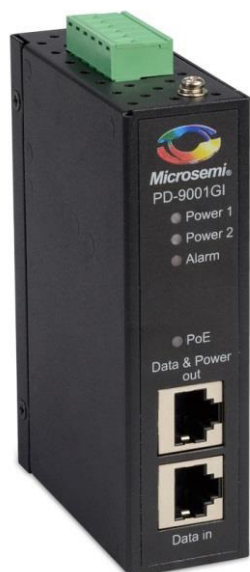


# PD-9001GI/DC Single Port 30W Industrial PoE Midspan



## Specifications

Feature	Description
No. of Ports	1
Pass Through Data Rates	10/100/1000 Mbps
Output Power	Pin Assignment and Polarity: 4/5(+), 7/8(-) Output Power Voltage: 50Vdc User Port Power: 30W (Guaranteed)
Input Power Requirements	DC Input Voltage: 20 to 60Vdc DC Input Current: 2A max
Dimensions	31 mm (W) x 111 mm (H) x 78 mm (L)
Weight	0.77 lbs (315 g)
Indicator	Power 1 – Source power 1 is connected Power 2 – Source power 2 is connected Alarm – 1 source power is Fault PoE – IEEE802.3 PD is connected
Connectors	Shielded RJ-45, EIA 568A and 568B
Environmental Conditions	Operating Ambient Temperature: -40°F to 167°F (-40°C to 75°C)
	Storage Temperature: -40°F to 185°F (-40°C to 85°C)
Reliability	MTBF: 170,000 hours @ 25°C
Warranty	1-year
Regulatory	RoHS, WEEE, REACH
Electromagnetic Emission & Immunity	EN50522 Class A EN55024
Safety Approvals	UL 508
Shock	IEC 60068-2-27 15g, 11 ms duration
Freefall	IEC 60068-2-32
Vibration	IEC 60068-2-6 3, 5 mm, 3 Hz - 9 Hz, 10 cycles, 1 octave/min 1g, 9 Hz - 150 Hz, 10 cycles 1 octave/ min

## Features and Benefits

- IEEE 802.3at compliant – 30W output
- Dual DC input – 20-60VDC range
- Industrial rated IP30
- Extended temp range -40 °C - +75 °C
- Plug and play installation
- Supports 10/100/1000 Mbps

## Overview

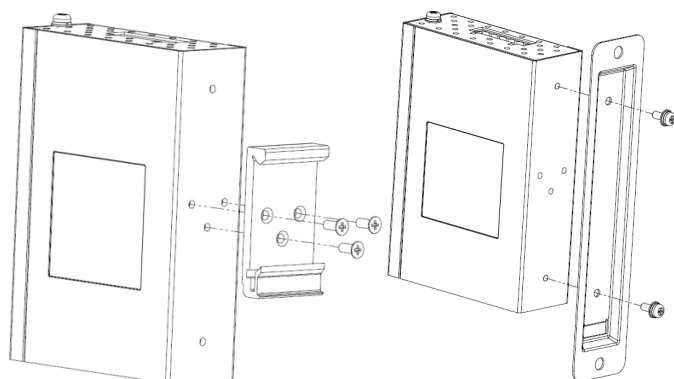
Microsemi's PD-9001GI is a single port, high-power solution for remote powering of current and emerging high power applications. Generating up to 30W, the 9001GI enables remote power for a new range of applications including 802.11n Access Points, pan-tilt zoom (PTZ) cameras and other IP terminals. It complies to IEEE 802.3at PoE standard and is backward compatible to IEEE802.3af. It can power both 10/100Base-T network devices and 1000Base-T devices. The 9001GI is designed for industrial applications and outdoor applications from temperature point of view.

## Ordering Information

Part Number	Description
PD-9001GI/DC	30W Industrial PoE Midspan, Dual DC input

# PD-9001 GI/DC Single Port 30W Industrial PoE Midspan

## Supported Installation (Accessory Included)



DIN Rail

Wall Mount

Microsemi makes no warranty, representation, or guarantee regarding the information contained herein or the suitability of its products and services for any particular purpose, nor does Microsemi assume any liability whatsoever arising out of the application or use of any product or circuit. The products sold hereunder and any other products sold by Microsemi have been subject to limited testing and should not be used in conjunction with mission-critical equipment or applications. Any performance specifications are believed to be reliable but are not verified, and Buyer must conduct and complete all performance and other testing of the products, alone and together with, or installed in, any end-products. Buyer shall not rely on any data and performance specifications or parameters provided by Microsemi. It is the Buyer's responsibility to independently determine suitability of any products and to test and verify the same. The information provided by Microsemi hereunder is provided "as is, where is" and with all faults, and the entire risk associated with such information is entirely with the Buyer. Microsemi does not grant, explicitly or implicitly, to any party any patent rights, licenses, or any other IP rights, whether with regard to such information itself or anything described by such information. Information provided in this document is proprietary to Microsemi, and Microsemi reserves the right to make any changes to the information in this document or to any products and services at any time without notice.



**Microsemi**

Microsemi Corporate Headquarters  
One Enterprise, Aliso Viejo, CA 92656 USA  
Within the USA: +1 (800) 713-4113  
Outside the USA: +1 (949) 380-6100  
Sales: +1 (949) 380-6136  
Fax: +1 (949) 215-4996  
email: [sales.support@microsemi.com](mailto:sales.support@microsemi.com)  
[www.microsemi.com](http://www.microsemi.com)

Microsemi Corporation (Nasdaq: MSCC) offers a comprehensive portfolio of semiconductor and system solutions for communications, defense & security, aerospace and industrial markets. Products include high-performance and radiation-hardened analog mixed-signal integrated circuits, FPGAs, SoCs and ASICs; power management products; timing and synchronization devices and precise time solutions, setting the world's standard for time; voice processing devices; RF solutions; discrete components; security technologies and scalable anti-tamper products; Ethernet solutions; Power-over-Ethernet ICs and midspans; as well as custom design capabilities and services. Microsemi is headquartered in Aliso Viejo, Calif., and has approximately 3,600 employees globally. Learn more at [www.microsemi.com](http://www.microsemi.com).

© 2015 Microsemi Corporation. All rights reserved. Microsemi and the Microsemi logo are registered trademarks of Microsemi Corporation. All other trademarks and service marks are the property of their respective owners.

## X-ON Electronics

Largest Supplier of Electrical and Electronic Components

*Click to view similar products for [Power over Ethernet - PoE category](#):*

*Click to view products by [Microchip manufacturer](#):*

Other Similar products are found below :

[PD-3504G/AC](#) [PD-9601G/AC](#) [PD-3504G/AC-EU](#) [180993-3001](#) [GHOSTBRIDGE-POE](#) [EKI-2701MPI-AE](#) [EKI-2701MPI-R-AE](#) [EKI-2701PSI-AE](#) [EKI-2741FHPI-AE](#) [PALS400-2482G](#) [PALS600-2482G](#) [AWPOE](#) [PD-9001GC/AC](#) [PD-9001GI/DC](#) [PD-9001GO-ET/AC](#) [PD-9001GR/AT/AC-EU](#) [PD-9606GC/AC-EU](#) [PD-9612GC/AC-EU](#) [PD-9624GC/AC-EU](#) [PD-9624GC/AC-US](#) [PD-9624GC/AC](#) [PD-9501GC/AC-EU](#) [PD-6506G/AC/M](#) [PD-OUT/MBK/G](#) [NPS-30W-B](#) [NPS-30W-WOC](#) [PD-9501GO-ET/AC](#) [PD-9601G/AC-EU](#) [PD-OUT/MBK/ET](#) [PD-OUT/MBK/S](#) [POE14-050-R](#) [POE14-137-R](#) [POE15M-560E-R](#) [POE16R-560L6](#) [POE16S-1AFG-R](#) [POE30S-1ATG-R](#) [POE370U-480-16N-R](#) [POE370U-480-16-R](#) [POE370U-480-8N-R](#) [POE370U-480-8-R](#) [POE45-120-R](#) [POE576U-16ATN-R](#) [POE60D-560G-R](#) [POE60S-1BT-R](#) [POE60S-4AF-R](#) [POE60U-1BT-5](#) [POE90U-1BT6-R](#) [POEA30U-1AT-2](#) [POEA30U-1AT-5-R](#) [POEA30U-1ATE](#)