

PM5332

SPECTRA™ 1x2488

**SONET/SDH Payload Extractor/Aligner
For 2488 Mbit/s**

Data Sheet

Released

Issue No. 4: January 2006

Legal Information

Copyright

Copyright 2006 PMC-Sierra, Inc. All rights reserved.

The information in this document is proprietary and confidential to PMC-Sierra, Inc., and for its customers' internal use. In any event, no part of this document may be reproduced or redistributed in any form without the express written consent of PMC-Sierra, Inc.

PMC-2012682 (R4)

Disclaimer

None of the information contained in this document constitutes an express or implied warranty by PMC-Sierra, Inc. as to the sufficiency, fitness or suitability for a particular purpose of any such information or the fitness, or suitability for a particular purpose, merchantability, performance, compatibility with other parts or systems, of any of the products of PMC-Sierra, Inc., or any portion thereof, referred to in this document. PMC-Sierra, Inc. expressly disclaims all representations and warranties of any kind regarding the contents or use of the information, including, but not limited to, express and implied warranties of accuracy, completeness, merchantability, fitness for a particular use, or non-infringement.

In no event will PMC-Sierra, Inc. be liable for any direct, indirect, special, incidental or consequential damages, including, but not limited to, lost profits, lost business or lost data resulting from any use of or reliance upon the information, whether or not PMC-Sierra, Inc. has been advised of the possibility of such damage.

Trademarks

For a complete list of PMC-Sierra's trademarks, see our web site at <http://www.pmc-sierra.com/legal/>.

Other product and company names mentioned herein may be the trademarks of their respective owners.

Patents

The technology discussed in this document is protected by one or more of the following patent grants:

U.S. Patent No. 5,606,563.

Canadian Patent No. 2,159,763.

Other relevant patent grants and patent applications may also exist.

Contacting PMC-Sierra

PMC-Sierra
100-2700 Production Way
Burnaby, BC Canada V5A 4X1

Tel: +1 (604) 415-6000
Fax: +1 (604) 415-6200

Document Information: document@pmc-sierra.com
Corporate Information: info@pmc-sierra.com
Technical Support: apps@pmc-sierra.com
Web Site: <http://www.pmc-sierra.com>

Downloaded by Content Team of Partminer Inc on Thursday, 27 April, 2006 09:55:04 PM

Revision History

Issue No.	Issue Date	Details of Change
4	January 2006	<ul style="list-style-type: none"> o Updated ordering information including RoHS-compliant device details.
3	March 2003	<ul style="list-style-type: none"> o Lead Temperature incorrectly specified – Updated lead temperature from +230°C to +225°C o Updated patent information o 4x622 mode using 155 MHz refclk. Added IREF_CTRL[1:0] register bit description o OC-48 CSU (Div1 vs. Div8). Added notes to TX2488 ABC Control register 1021H o TPOH Port Data Insertion. Added note to Operation: Path Overhead Bytes section 14.1. o Pin names differ between Pin Diagram and Pin Description. Updated pin descriptions for VDDI_JAT[3:0] and LC_AVDL. o LOS interrupt not being generated during state change of LOSV = 1 to 0. Updated LOSI (LAS4x622) register bit description. o SELF_NARROWBANDING MODE for CSUR PM70_00_04. Updated Quad STS-12/STM-4 Mode Operation section. o Added optical jitter characterization results to section 20.2 and 20.3. o TAPI path alarms persist when disabled causing PAIS in transmit path. Added section 14.12 Disabling Transmit Add Bus Pointer Interpreter. o Minimum reset input pulse width ($t_{V_{RSTB}}$) changed from 100ns to 2ms to account for analog block reset time. o Added configuration of REF77_P/N for 155.52MHz clock power up sequence to Quad STS-12/STM-4 Mode Operation section o Updated Absolute Maximum Ratings section o SVCA: Unexpected indirect register behavior with concat. payloads. Updated indirect register 02H: TSVCA & RSVCA Diagnostic/Configuration registers descriptions and PJPMON[12:0]/ NJPMON{12:0} register bit descriptions. o Fixed PREP#10035, 10036 - ALLPAISC generation error in last sts3c for RHPP and RHPP-R. Added section 14.13 Invalid Concatenation Pointer Processing Disable Bit. o Updated OC-12 Line Interface Timing min REF77 Hi/Low pulse widths. o Top level RTL bug in parallel diagnostic loopback on los_or_sd_defect. Added notes to Loop Back Operation section. o 4x622 SDI_MASK prevents LOS detection. Updated SDI_MASK register description in 0036H 0436H 0836H and 0C36H. o 4x622 AC coupled LOS prevents RCLK from locking to reference. Updated Operations section with workarounds. o LAS4x622 DOOLI does not assert at +/-999 ppm with default CLK_CNT_MAX. Updated DOOLI and DOOLV register bit descriptions. o Changed register 001CH: SPECTRA 1X2488 Miscellaneous Configuration #1 to SPECTRA 1X2488 DOOL, LOS and SD Defect Enable o Changed register 001DH: SPECTRA 1X2488 Miscellaneous Configuration #1 to SPECTRA 1X2488 Miscellaneous Configuration #1 o Modified VDDI_JAT[3:0] pin description. o Updated Pin Description Note#2 – 2mA, 4mA and 10mA drive capability

Issue No.	Issue Date	Details of Change
		<ul style="list-style-type: none"> o Added note to REF77 pin description. o Thermal Information Tj specified as 105C for both Central Office and Outside Plant o Updated document to new template. o ILLPTR may be asserted on legal justification requests o Register 0022H: Rx2488 Analog CRU Control – bit 15 and 13 reserved bits have default value of 1 instead of 0. o Disagreement between H1H2 value and J1-byte location at SVCA output – Ensure payload pointer is recalculated when payload is configured. o Updated ILLPTR and JUST3DIS register descriptions. o Updated Power Requirements section o Updated Thermal Information section o Clarification on FOOF bit description. o Analog power pin names require function suffix. Added power supply filtering tables. o Analog power pin names require function suffix. Updated analog power filtering figure and added power pin description table. o Incorrect bit description for CSUR_LDBV in Register 0033H. Corrected bit inversion for CSUR_LBDV. o Incorrect bit description for ROOL-I bit in register 1020H. Updated reference to CSU_RESET in register 1021H. o Rx2488 Analog PRBS Control register 0024H has no bit description. Label register as Rx2488 Reserved. o Incorrect bit description Indirect Register 02H: RSVCA Diagnostic/Configuration. Corrected PTRDD[1:0] bits for both RSVCA and TSVCA registers. o Set TDCLKOEN to high for 1x2488 mode to work. Updated SERDES1x2488 Mode Operation section. o DOOL_HSTR_SEL[1:0] description needs correction. Updated register bit description. o Treatment of JTAG TRSTB pin is misleading. Modified pin description to be less restrictive. o OC-48 CRU Reset Time Documentation. Added note minimum 100us cru reset period. o Corrected Register 0039H title. Removed PRBS from title. o AU-4 to 3x AU-3 Translation configuration errors. Corrected wording. o TOFP[4:1] pin description. Corrected wording. o ROHFP[4:1] pin description. Corrected wording. o Updated Reliability Section
2	July 2002	<ul style="list-style-type: none"> o Updated the top-level registers: 0000H-0006H, 000FH, 001AH-001EH. o Added RCS2488 registers. o Added TCP2488 registers. o Added LAS4x622 registers. o Added JAT622 registers. o Deleted pins OOF1-4, PRGMRCLK, TXD_P/TXD_N, RXD_P/RXD_N, SD. o Changed channel 1 of quad STM-4 to dual mode. Channel 1 is either STM-

Issue No.	Issue Date	Details of Change
		16 or STM-4. o Pins RCLK1-4 could be gated if configured and RCLK1-2 could be selected from 4 internal RCLK if configured. o Added SD/LOS/DOOLEN to SALM, AIS_L, and RDI_L generation enable register description. o Updated Test registers. o Updated Block Diagram, Loop Back Diagram. o Updated Operation Loop Back, SERDES sections. o Deleted functional timing for digital line interface.
1	January 2002	Data Sheet created.

Downloaded by Content Team of Partminer Inc on Thursday, 27 April 2006 09:55:00 PM

Table of Contents

Legal Information.....	2
Copyright.....	2
Disclaimer	2
Trademarks	2
Patents	2
Contacting PMC-Sierra.....	3
Revision History.....	4
Table of Contents.....	7
List of Registers.....	11
List of Figures	27
List of Tables.....	31
1 Definitions	33
2 Features.....	34
2.1 General.....	34
2.2 SONET Section and Line / SDH Regenerator and Multiplexer Section.....	35
2.3 SONET Path / SDH High Order Path.....	36
2.4 System Side Interfaces	36
3 Applications.....	38
4 References.....	39
5 Application Examples.....	41
6 Block Diagrams.....	43
7 Description	47
8 Pin Diagram	49
9 Pin Description (500-pin UBGA).....	51
9.1 Configuration Pin Signals.....	51
9.2 STS-48/STM-16 and Quad STS-12/STM-4 Line Side Interface Signals	51
9.3 Receive and Transmit Reference (Single and Quad Mode)	53
9.4 Section/Line/Path Status and Alarms Signals (Single and Quad Mode)	54
9.5 Receive Section/Line/Path Overhead Extraction Signals (Single and Quad Mode)...	56
9.6 Transmit Section/Line/Path Overhead Insertion Signals (Single and Quad Mode)....	57
9.7 Receive Section/Line DCC Extraction Signals (Single and Quad Mode).....	59
9.8 Transmit Section/Line DCC Insertion Signals (Single and Quad Mode)	60
9.9 Receive Path BIP-8 Error Signals.....	61
9.10 Drop Bus Telecom Interface Signals (Single and Quad Mode)	61

9.11	Add Bus Telecom Interface Signals (Single and Quad Mode).....	64
9.12	Microprocessor Interface Signals.....	66
9.13	Analog Miscellaneous Signals	68
9.14	JTAG Test Access Port (TAP) Signals.....	68
9.15	Power and Ground	69
10	Functional Description	72
10.1	Receive Line Interface	72
10.2	SONET/SDH Receive Line Interface (SRLI).....	72
10.3	Receive Regenerator and Multiplexer Processor (RRMP).....	73
10.4	Receive Trail Trace Processor (RTTP)	76
10.5	Receive High Order Path Processor (RHPP)	77
10.6	Transmit Line Interface.....	85
10.7	SONET/SDH Transmit Line Interface (STLI)	85
10.8	Transmit Regenerator Multiplexer Processor (TRMP).....	85
10.9	Transmit Trail Trace Processor (TTTP).....	90
10.10	Transmit High Order Path Processor (THPP).....	90
10.11	Transmit Add TelecomBus Pointer Interpreter (TAPI)	92
10.12	SONET/SDH Virtual Container Aligner (SVCA)	92
10.13	SONET/SDH PRBS Generator and Monitor (PRGM).....	95
10.14	SONET/SDH Time-Slot Interchange (STSI)	96
10.15	System Side Interfaces	97
10.16	JTAG Test Access Port Interface.....	98
10.17	Microprocessor Interface.....	98
11	Addressing Soft-Errors.....	99
12	Normal Mode Register Description	100
12.1	Register Memory Map.....	100
12.2	Registers 112	
13	Test Features Description	597
13.1	Master Test and Test Configuration Registers	597
13.2	JTAG Test Port	602
14	Operation	615
14.1	Transport and Path Overhead Bytes.....	615
14.2	Accessing Indirect Registers.....	620
14.3	Interrupt Service Routine	621
14.4	Using the Performance Monitoring Features	621
14.5	Configuring SONET/SDH Payload from a Concatenated Stream to a Channelized Stream	622

14.6	Translation from AU4/3x(TUG3/TU3/VC3) into 3x(AU3/VC3).....	622
14.7	Translation from 3x(AU3/VC3) into AU4/3x(TUG3/TU3/VC3).....	623
14.8	Bit Error Rate Monitor	624
14.9	Setting Up Timeslot Assignments in the STSI.....	625
14.10	PRBS Generator and Monitor (PRGM).....	627
14.11	Path Unequipped Configuration	629
14.12	Disabling Transmit Add Bus Pointer Interpreter	630
14.13	Invalid Concatenation Pointer Processing Disable Bit.....	630
14.14	4x622 Analog Block does not detect an All '0' or All '1' Data Pattern.....	632
14.15	Loop Back Operation	633
14.16	JTAG Support.....	634
14.17	Board Design Recommendations	638
14.18	Power Up Sequence	639
14.19	Interfacing to SFP ODL Devices	640
14.20	Interfacing to ECL or PECL Devices	641
14.21	Termination Scheme	643
15	Functional Timing	645
15.1	ADD Parallel TelecomBus	645
15.2	DROP Parallel TelecomBus	647
15.3	Receive Transport Overhead	649
15.4	Receive Section and Line DCC.....	650
15.5	Receive Path Overhead Port	651
15.6	Transmit Transport Overhead	653
15.7	Transmit Section and Line DCC.....	654
15.8	Transmit Path Overhead	655
15.9	Receive Ring Control Port.....	656
15.10	Transmit Ring Control Port.....	658
15.11	Receive Path Alarm.....	659
16	Absolute Maximum Ratings	660
17	Normal Operating Conditions.....	661
18	Power Information	662
18.1	Power Requirements.....	662
18.2	Power Sequencing	662
18.3	Power Supply Filtering	663
19	D.C. Characteristics	667
20	A.C. Timing Characteristics.....	669

20.1	System Miscellaneous Timing.....	669
20.2	Single OC-48 Line Interface Timing.....	669
20.3	Quad OC-12 Line Interface Timing.....	670
20.4	Receive Overhead Port Timing.....	670
20.5	Transmit Overhead Port Timing.....	672
20.6	Transmit Ring Control Port Timing.....	673
20.7	System Interface Timing.....	674
20.8	JTAG Test Port Timing.....	675
20.9	Microprocessor Interface Timing Characteristics.....	676
21	Thermal Information.....	679
22	Mechanical Information.....	680
23	Ordering Information.....	681
	Notes.....	682

Downloaded by Content Team of Partminer Inc on Thursday, 27 April, 2006 09:55:04 PM

List of Registers

Register 0000H: SPECTRA 1X2488 Master Configuration	112
Register 0001H: SPECTRA 1X2488 Receive Configuration	115
Register 0002H: SPECTRA 1X2488 Transmit Configuration	117
Register 0003H: SPECTRA 1X2488 Loop Timing Configuration	119
Register 0004H: SPECTRA 1X2488 RCLK Gating Control #1	121
Register 0005H: SPECTRA 1X2488 RCLK Gating Control #2	122
Register 0006H: SPECTRA 1X2488 RCLK Gating Control #3	123
Register 0008H: SPECTRA 1X2488 System Side Line Loop Back #1	124
Register 0009H: SPECTRA 1X2488 System Side Line Loop Back #2	125
Register 000AH: SPECTRA 1X2488 System Side Line Loop Back #3	126
Register 000BH: SPECTRA 1X2488 System Side Line Loop Back #4	127
Register 000EH: SPECTRA 1X2488 Line Activity Monitor	128
Register 000FH: SPECTRA 1X2488 Interrupt Status #0	129
Register 0010H: SPECTRA 1X2488 Interrupt Status #1	130
Register 0011H: SPECTRA 1X2488 Interrupt Status #2	131
Register 0012H: SPECTRA 1X2488 Interrupt Status #3	132
Register 0013H: SPECTRA 1X2488 Interrupt Status #4	133
Register 0014H: SPECTRA 1X2488 Drop System Configuration	134
Register 0016H: SPECTRA 1X2488 Add System Configuration	136
Register 0017H: SPECTRA 1X2488 Add Parity Interrupt Status	138
Register 0018H: SPECTRA 1X2488 System Activity Monitor	139
Register 0019H: SPECTRA 1X2488 TAPI Path AIS Configuration	141
Register 001AH: SPECTRA 1X2488 Version ID	143
SPECTRA 1x2488 Register 001BH: SPECTRA 1X2488 Chip ID	144
Register 001CH: SPECTRA 1X2488 DOOL, LOS and SD Defect Enable	145
Register 001DH: SPECTRA 1X2488 Miscellaneous Configuration #1	147
Register 001FH: SPECTRA 1X2488 Free Registers	148
Register 0020H: Rx2488 Analog Interrupt Status	149
Register 0021H: Rx2488 Analog Interrupt Control (Single 2488 Mode Only)	151
Register 0022H: Rx2488 Analog CRU Control	153
Register 0023H: Rx2488 Analog CRU Clock Training Configuration and Status (Single 2488 Mode Only)	155
Register 0030H: Quad 622 MABC General Control Register (Quad 622 Mode Only)	158
Register 0031H: Quad 622 Rx MABC Control Register (Quad 622 Mode Only)	160

Register 0033H: Quad 622 Rx MABC Interrupt Enable Register (Quad 622 Mode Only).....	161
Register 0034H: Quad 622 Rx MABC Interrupt Status Register (Quad 622 Mode Only).....	163
Register 0035H 0435H 0835H 0C35H: Quad 622 Rx MABC Channel Control Register (Quad 622 Mode Only).....	165
Register 0036H 0436H 0836H 0C36H: Quad 622 Rx Channel Data Path Control Register (Quad 622 Mode Only).....	167
Register 0038H 0438H 0838H 0C38H: Quad 622 Rx Channel Data Interrupt Status Register (Quad 622 Mode Only).....	169
Register 0039H, 0439H, 0839H, and 0C39H: Quad 622 Rx Channel Data Path Status Register (Quad 622 Mode Only).....	171
Register 0040H: SRLI Clock Configuration.....	173
Register 0060H, 0460H, 0860H, and 0C60H: SBER Configuration.....	175
Register 0061H, 0461H, 0861H, and 0C61H: SBER Status.....	177
Register 0062H, 0462H, 0862H, and 0C62H: SBER Interrupt Enable.....	178
Register 0063H, 0463H, 0863H, and 0C63H: SBER Interrupt Status.....	179
Register 0064H, 0464H, 0864H, and 0C64H: SBER SF BERM Accumulation Period (LSB).....	180
Register 0065H, 0465H, 0865H, and 0C65H: SBER SF BERM Accumulation Period (MSB).....	181
Register 0066H, 0466H, 0866H, and 0C66H: SBER SF BERM Saturation Threshold (LSB).....	182
Register 0067H, 0467H, 0867H, and 0C67H: SBER SF BERM Saturation Threshold (MSB).....	183
Register 0068H, 0468H, 0868H, and 0C68H: SBER SF BERM Declaration Threshold (LSB).....	184
Register 0069H, 0469H, 0869H, and 0C69H: SBER SF BERM Declaration Threshold (MSB).....	185
Register 006AH, 046AH, 086AH, and 0C6AH: SBER SF BERM Clearing Threshold (LSB).....	186
Register 006BH, 046BH, 086BH, and 0C6BH: SBER SF BERM Clearing Threshold (MSB).....	187
Register 006CH, 046CH, 086CH, and 0C6CH: SBER SD BERM Accumulation Period (LSB).....	188
Register 006DH, 046DH, 086DH, and 0C6DH: SBER SD BERM Accumulation Period (MSB).....	189
Register 006EH, 046EH, 086EH, and 0C6EH: SBER SD BERM Saturation Threshold (LSB).....	190
Register 006FH, 046FH, 086FH, and 0C6FH: SBER SD BERM Saturation Threshold (MSB).....	191
Register 0070H, 0470H, 0870H, and 0C70H: SBER SD BERM Declaration Threshold (LSB).....	192

Register 0071H, 0471H, 0871H, and 0C71H: SBER SD BERM Declaration Threshold (MSB).....	193
Register 0072H, 0472H, 0872H, and 0C72H: SBER SD BERM Clearing Threshold (LSB).....	194
Register 0073H, 0473H, 0873H, and 0C73H: SBER SD BERM Clearing Threshold (MSB).....	195
Register 0080H, 0480H, 0880H, and 0C80H: RRMP Configuration.....	196
Register 0081H, 0481H, 0881H, and 0C81H: RRMP Status.....	199
Register 0082H, 0482H, 0882H, and 0C82H: RRMP Interrupt Enable	201
Register 0083H, 0483H, 0883H, and 0C83H: RRMP Interrupt Status	204
Register 0084H, 0484H, 0884H, and 0C84H: RRMP Receive APS.....	207
Register 0085H, 0485H, 0885H, and 0C85H: RRMP Receive SSM	208
Register 0086H, 0486H, 0886H, and 0C86H: RRMP AIS Enable	209
Register 0087H, 0487H, 0887H, and 0C87H: RRMP Section BIP Error Counter	211
Register 0088H, 0488H, 0888H, and 0C88H: RRMP Line BIP Error Counter (LSB).....	212
Register 0089H, 0489H, 0889H, and 0C89H: RRMP Line BIP Error Counter (MSB).....	213
Register 008AH, 048AH, 088AH, and 0C8AH: RRMP Line REI Error Counter (LSB).....	214
Register 008BH, 048BH, 088BH, and 0C8BH: RRMP Line REI Error Counter (MSB).....	215
Register 00A0H, 04A0H, 08A0H, and 0CA0H: RTTP SECTION Indirect Address	216
Register 00A1H, 04A1H, 08A1H, and 0CA1H: RTTP SECTION Indirect Data	218
Register 00A2H, 04A2H, 08A2H, and 0CA2H: RTTP SECTION Trace Unstable Status	219
Register 00A3H, 04A3H, 08A3H, and 0CA3H: RTTP SECTION Trace Unstable Interrupt Enable	220
Register 00A4H, 04A4H, 08A4H, and 0CA4H: RTTP SECTION Trace Unstable Interrupt Status	221
Register 00A5H, 04A5H, 08A5H, and 0CA5H: RTTP SECTION Trace Mismatch Status	222
Register 00A6H, 04A6H, 08A6H, and 0CA6H: RTTP SECTION Trace Mismatch Interrupt Enable	223
Register 00A7H, 04A7H, 08A7H, and 0CA7H: RTTP SECTION Trace Mismatch Interrupt Status	224
Indirect Register 00H: RTTP SECTION Trace Configuration	225
Indirect Register 40H to 7FH: RTTP SECTION Captured Trace	227
Indirect Register 80H to BFH: RTTP SECTION Accepted Trace	228
Indirect Register C0H to FFH: RTTP SECTION Expected Trace	229

Register 00C0H, 04C0H, 08C0H, and 0CC0H: RTTP PATH Indirect Address	230
Register 00C1H, 04C1H, 08C1H, and 0CC1H: RTTP PATH Indirect Data	232
Register 00C2H, 04C2H, 08C2H, and 0CC2H: RTTP PATH Trace Unstable Status	233
Register 00C3H, 04C3H, 08C3H, and 0CC3H: RTTP PATH Trace Unstable Interrupt Enable	234
Register 00C4H, 04C4H, 08C4H, and 0CC4H: RTTP PATH Trace Unstable Interrupt Status	235
Register 00C5H, 04C5H, 08C5H, and 0CC5H: RTTP PATH Trace Mismatch Status	236
Register 00C6H, 04C6H, 08C6H, and 0CC6H: RTTP PATH Trace Mismatch Interrupt Enable	237
Register 00C7H, 04C7H, 08C7H, and 0CC7H: RTTP PATH Trace Mismatch Interrupt Status	238
Indirect Register 00H: RTTP PATH Trace Configuration	239
Indirect Register 40H to 7FH: RTTP PATH Captured Trace	241
Indirect Register 80H to BFH: RTTP PATH Accepted Trace	242
Indirect Register C0H to FFH: RTTP PATH Expected Trace	243
Register 00E0H, 04E0H, 08E0H and 0CE0H: RTTP PATH TU3 Indirect Address	244
Register 00E1H, 04E1H, 08E1H, and 0CE1H: RTTP PATH TU3 Indirect Data	246
Register 00E2H, 04E2H, 08E2H, and 0CE2H: RTTP PATH TU3 Trace Unstable Status	247
Register 00E3H, 04E3H, 08E3H, and 0CE3H: RTTP PATH TU3 Trace Unstable Interrupt Enable	248
Register 00E4H, 04E4H, 08E4H, and 0CE4H: RTTP PATH TU3 Trace Unstable Interrupt Status	249
Register 00E5H, 04E5H, 08E5H, and 0CE5H: RTTP PATH TU3 Trace Mismatch Status	250
Register 00E6H, 04E6H, 08E6H, and 0CE6H: RTTP PATH TU3 Trace Mismatch Interrupt Enable	251
Register 00E7H, 04E7H, 08E7H, and 0CE7H: RTTP PATH TU3 Trace Mismatch Interrupt Status	252
Indirect Register 00H: RTTP PATH TU3 Trace Configuration	253
Indirect Register 40H to 7FH: RTTP PATH TU3 Captured Trace	255
Indirect Register 80H to BFH: RTTP PATH TU3 Accepted Trace	256
Indirect Register C0H to FFH: RTTP PATH TU3 Expected Trace	257
Register 0100H, 0500H, 0900H, and 0D00H: RHPP Indirect Address	258
Register 0101H, 0501H, 0901H, and 0D01H: RHPP Indirect Data	260
Register 0102H, 0502H, 0902H, and 0D02H: RHPP Payload Configuration	261
Register 0103H, 0503H, 0903H, and 0D03H: RHPP Counter Update	263

Register 0104H, 0504H, 0904H, and 0D04H: RHPP Path Interrupt Status.....	264
Register 0105H, 0505H, 0905H and 0D05H: RHPP Pointer Concatenation Processing Disable	265
Register 0108H, 0508H, 0908H and 0D08H: RHPP Pointer Interpreter Status (STS1/STM0 #1) Register 0110H, 0510H, 0910H and 0D10H: (STS1/STM0 #2) Register 0118H, 0518H, 0918H and 0D18H: (STS1/STM0 #3) Register 0120H, 0520H, 0920H and 0D20H: (STS1/STM0 #4) Register 0128H, 0528H, 0928H and 0D28H: (STS1/STM0 #5) Register 0130H, 0530H, 0930H and 0D30H: (STS1/STM0 #6) Register 0138H, 0538H, 0938H and 0D38H: (STS1/STM0 #7) Register 0140H, 0540H, 0940H and 0D40H: (STS1/STM0 #8) Register 0148H, 0548H, 0948H and 0D48H: (STS1/STM0 #9) Register 0150H, 0550H, 0950H and 0D50H: (STS1/STM0 #10) Register 0158H, 0558H, 0958H and 0D58H: (STS1/STM0 #11) Register 0160H, 0560H, 0960H and 0D60H: (STS1/STM0 #12)	266
Register 0109H, 0509H, 0909H and 0D09H: RHPP Pointer Interpreter Interrupt Enable (STS1/STM0 #1) Register 0111H, 0511H, 0911H and 0D11H: (STS1/STM0 #2) Register 0119H, 0519H, 0919H and 0D19H: (STS1/STM0 #3) Register 0121H, 0521H, 0921H and 0D21H: (STS1/STM0 #4) Register 0129H, 0529H, 0929H and 0D29H: (STS1/STM0 #5) Register 0131H, 0531H, 0931H and 0D31H: (STS1/STM0 #6) Register 0139H, 0539H, 0939H and 0D39H: (STS1/STM0 #7) Register 0141H, 0541H, 0941H and 0D41H: (STS1/STM0 #8) Register 0149H, 0549H, 0949H and 0D49H: (STS1/STM0 #9) Register 0151H, 0551H, 0951H and 0D51H: (STS1/STM0 #10) Register 0159H, 0559H, 0959H and 0D59H: (STS1/STM0 #11) Register 0161H, 0561H, 0961H and 0D61H: (STS1/STM0 #12)	268
Register 010AH, 050AH, 090AH and 0D0AH: RHPP Pointer Interpreter Interrupt Status (STS1/STM0 #1) Register 0112H, 0512H, 0912H and 0D12H: (STS1/STM0 #2) Register 011AH, 051AH, 091AH and 0D1AH: (STS1/STM0 #3) Register 0122H, 0522H, 0922H and 0D22H: (STS1/STM0 #4) Register 012AH, 052AH, 092AH and 0D2AH: (STS1/STM0 #5) Register 0132H, 0532H, 0932H and 0D32H: (STS1/STM0 #6) Register 013AH, 053AH, 093AH and 0D3AH: (STS1/STM0 #7) Register 0142H, 0542H, 0942H and 0D42H: (STS1/STM0 #8) Register 014AH, 054AH, 094AH and 0D4AH: (STS1/STM0 #9) Register 0152H, 0552H, 0952H and 0D52H: (STS1/STM0 #10) Register 015AH, 055AH, 095AH and 0D5AH: (STS1/STM0 #11) Register 0162H, 0562H, 0962H and 0D62H: (STS1/STM0 #12)	270

Register 010BH, 050BH, 090BH and 0D0BH: RHPP Error Monitor Status	
(STS1/STM0 #1) Register 0113H, 0513H, 0913H and 0D13H:	
(STS1/STM0 #2) Register 011BH, 051BH, 091BH and 0D1BH:	
(STS1/STM0 #3) Register 0123H, 0523H, 0923H and 0D23H:	
(STS1/STM0 #4) Register 012BH, 052BH, 092BH and 0D2BH:	
(STS1/STM0 #5) Register 0133H, 0533H, 0933H and 0D33H:	
(STS1/STM0 #6) Register 013BH, 053BH, 093BH and 0D3BH:	
(STS1/STM0 #7) Register 0143H, 0543H, 0943H and 0D43H:	
(STS1/STM0 #8) Register 014BH, 054BH, 094BH and 0D4BH:	
(STS1/STM0 #9) Register 0153H, 0553H, 0953H and 0D53H:	
(STS1/STM0 #10) Register 015BH, 055BH, 095BH and 0D5BH:	
(STS1/STM0 #11) Register 0163H, 0563H, 0963H and 0D63H:	
(STS1/STM0 #12)	272
Register 010CH, 050CH, 090CH and 0D0CH: RHPP Error Monitor Interrupt	
Enable (STS1/STM0 #1) Register 0114H, 0514H, 0914H and 0D14H:	
(STS1/STM0 #2) Register 011CH, 051CH, 091CH and 0D1CH:	
(STS1/STM0 #3) Register 0124H, 0524H, 0924H and 0D24H:	
(STS1/STM0 #4) Register 012CH, 052CH, 092CH and 0D2CH:	
(STS1/STM0 #5) Register 0134H, 0534H, 0934H and 0D34H:	
(STS1/STM0 #6) Register 013CH, 053CH, 093CH and 0D3CH:	
(STS1/STM0 #7) Register 0144H, 0544H, 0944H and 0D44H:	
(STS1/STM0 #8) Register 014CH, 054CH, 094CH and 0D4CH:	
(STS1/STM0 #9) Register 0154H, 0554H, 0954H and 0D54H:	
(STS1/STM0 #10) Register 015CH, 055CH, 095CH and 0D5CH:	
(STS1/STM0 #11) Register 0164H, 0564H, 0964H and 0D64H:	
(STS1/STM0 #12)	275
Register 010DH, 050DH, 090DH and 0D0DH: RHPP Error Monitor Interrupt	
Status (STS1/STM0 #1) Register 0115H, 0515H, 0915H and 0D15H:	
(STS1/STM0 #2) Register 011DH, 051DH, 091DH and 0D1DH:	
(STS1/STM0 #3) Register 0125H, 0525H, 0925H and 0D25H:	
(STS1/STM0 #4) Register 012DH, 052DH, 092DH and 0D2DH:	
(STS1/STM0 #5) Register 0135H, 0535H, 0935H and 0D35H:	
(STS1/STM0 #6) Register 013DH, 053DH, 093DH and 0D3DH:	
(STS1/STM0 #7) Register 0145H, 0545H, 0945H and 0D45H:	
(STS1/STM0 #8) Register 014DH, 054DH, 094DH and 0D4DH:	
(STS1/STM0 #9) Register 0155H, 0555H, 0955H and 0D55H:	
(STS1/STM0 #10) Register 015DH, 055DH, 095DH and 0D5DH:	
(STS1/STM0 #11) Register 0165H, 0565H, 0965H and 0D65H:	
(STS1/STM0 #12)	278
Indirect Register 00H: RHPP Pointer Interpreter Configuration	281
Indirect Register 01H: RHPP Error Monitor Configuration	283
The B3EONRPOH bit controls the data presented on RPOH ports. When set to	
logic 0, the received B3 byte is placed on the RPOH port. When set to	
logic 1, the B3 error count is placed on the RPOH port as it is placed on the	
B3E port. Indirect Register 02H: RHPP Pointer Value and ERDI	286
Indirect Register 03H: RHPP Captured and Accepted PSL	287
Indirect Register 04H: RHPP Expected PSL and PDI	288
Indirect Register 05H: RHPP Pointer Interpreter Status	289
Indirect Register 06H: RHPP Path BIP Error Counter	291
Indirect Register 07H: RHPP Path REI Error Counter	292

Indirect Register 08H: RHPP Path Negative Justification Event Counter.....	293
Indirect Register 09H: RHPP Path Positive Justification Event Counter	294
Register 0180H, 0580H, 0980H, and 0D80H: RHPP TU3 Indirect Address.....	295
Register 0181H, 0581H, 0981H, and 0D81H: RHPP TU3 Indirect Data	297
Register 0182H, 0582H, 0982H, and 0D82H: RHPP TU3 Payload Configuration	298
Register 0183H, 0583H, 0983H, and 0D83H: RHPP TU3 Counters Update.....	300
Register 0184H, 0584H, 0984H, and 0D84H: RHPP TU3 Path Interrupt Status.....	301
Register 0188H, 0588H, 0988H and 0D88H: RHPP TU3 Pointer Interpreter Status(STS1/STM0 #1) Register 0190H, 0590H, 0990H and 0D90H: (STS1/STM0 #2) Register 0198H, 0598H, 0998H and 0D98H: (STS1/STM0 #3) Register 01A0H, 05A0H, 09A0H and 0DA0H: (STS1/STM0 #4) Register 01A8H, 05A8H, 09A8H and 0DA8H: (STS1/STM0 #5) Register 01B0H, 05B0H, 09B0H and 0DB0H: (STS1/STM0 #6) Register 01B8H, 05B8H, 09B8H and 0DB8H: (STS1/STM0 #7) Register 01C0H, 05C0H, 09C0H and 0DC0H: (STS1/STM0 #8) Register 01C8H, 05C8H, 09C8H and 0DC8H: (STS1/STM0 #9) Register 01D0H, 05D0H, 09D0H and 0DD0H: (STS1/STM0 #10) Register 01D8H, 05D8H, 09D8H and 0DD8H: (STS1/STM0 #11) Register 01E0H, 05E0H, 09E0H and 0DE0H: (STS1/STM0 #12)	302
Register 0189H, 0589H, 0989H and 0D89H: RHPP TU3 Pointer Interpreter Interrupt Enable (STS1/STM0 #1) Register 0191H, 0591H, 0991H and 0D91H: (STS1/STM0 #2) Register 0199H, 0599H, 0999H and 0D99H: (STS1/STM0 #3) Register 01A1H, 05A1H, 09A1H and 0DA1H: (STS1/STM0 #4) Register 01A9H, 05A9H, 09A9H and 0DA9H: (STS1/STM0 #5) Register 01B1H, 05B1H, 09B1H and 0DB1H: (STS1/STM0 #6) Register 01B9H, 05B9H, 09B9H and 0DB9H: (STS1/STM0 #7) Register 01C1H, 05C1H, 09C1H and 0DC1H: (STS1/STM0 #8) Register 01C9H, 05C9H, 09C9H and 0DC9H: (STS1/STM0 #9) Register 01D1H, 05D1H, 09D1H and 0DD1H: (STS1/STM0 #10) Register 01D9H, 05D9H, 09D9H and 0DD9H: (STS1/STM0 #11) Register 01E1H, 05E1H, 09E1H and 0DE1H: (STS1/STM0 #12)	304
Register 018AH, 058AH, 098AH and 0D8AH: RHPP TU3 Pointer Interpreter Interrupt Status (STS1/STM0 #1) Register 0192H, 0592H, 0992H and 0D92H: (STS1/STM0 #2) Register 019AH, 059AH, 099AH and 0D9AH: (STS1/STM0 #3) Register 01A2H, 05A2H, 09A2H and 0DA2H: (STS1/STM0 #4) Register 01AAH, 05AAH, 09AAH and 0DAAH: (STS1/STM0 #5) Register 01B2H, 05B2H, 09B2H and 0DB2H: (STS1/STM0 #6) Register 01BAH, 05BAH, 09BAH and 0DBAH: (STS1/STM0 #7) Register 01C2H, 05C2H, 09C2H and 0DC2H: (STS1/STM0 #8) Register 01CAH, 05CAH, 09CAH and 0DCAH: (STS1/STM0 #9) Register 01D2H, 05D2H, 09D2H and 0DD2H: (STS1/STM0 #10) Register 01DAH, 05DAH, 09DAH and 0DDAH: (STS1/STM0 #11) Register 01E2H, 05E2H, 09E2H and 0DE2H: (STS1/STM0 #12)	306

Register 018BH, 058BH, 098BH and 0D8BH: RHPP TU3 Error Monitor Status (STS1/STM0 #1) Register 0193H, 0593H, 0993H and 0D93H: (STS1/STM0 #2) Register 019BH, 059BH, 099BH and 0D9BH: (STS1/STM0 #3) Register 01A3H, 05A3H, 09A3H and 0DA3H: (STS1/STM0 #4) Register 01ABH, 05ABH, 09ABH and 0DABH: (STS1/STM0 #5) Register 01B3H, 05B3H, 09B3H and 0DB3H: (STS1/STM0 #6) Register 01BBH, 05BBH, 09BBH and 0DBBH: (STS1/STM0 #7) Register 01C3H, 05C3H, 09C3H and 0DC3H: (STS1/STM0 #8) Register 01CBH, 05CBH, 09CBH and 0DCBH: (STS1/STM0 #9) Register 01D3H, 05D3H, 09D3H and 0DD3H: (STS1/STM0 #10) Register 01DBH, 05DBH, 09DBH and 0DDBH: (STS1/STM0 #11) Register 01E3H, 05E3H, 09E3H and 0DE3H: (STS1/STM0 #12)	308
Register 018CH, 058CH, 098CH and 0D8CH: RHPP TU3 Error Monitor Interrupt Enable (STS1/STM0 #1) Register 0194H, 0594H, 0994H and 0D94H: (STS1/STM0 #2) Register 019CH, 059CH, 099CH and 0D9CH: (STS1/STM0 #3) Register 01A4H, 05A4H, 09A4H and 0DA4H: (STS1/STM0 #4) Register 01ACH, 05ACH, 09ACH and 0DACH: (STS1/STM0 #5) Register 01B4H, 05B4H, 09B4H and 0DB4H: (STS1/STM0 #6) Register 01BCH, 05BCH, 09BCH and 0DBCH: (STS1/STM0 #7) Register 01C4H, 05C4H, 09C4H and 0DC4H: (STS1/STM0 #8) Register 01CCH, 05CCH, 09CCH and 0DCCH: (STS1/STM0 #9) Register 01D4H, 05D4H, 09D4H and 0DD4H: (STS1/STM0 #10) Register 01DCH, 05DCH, 09DCH and 0DDCH: (STS1/STM0 #11) Register 01E4H, 05E4H, 09E4H and 0DE4H: (STS1/STM0 #12)	311
Register 018DH, 058DH, 098DH and 0D8DH: RHPP TU3 Error Monitor Interrupt Status (STS1/STM0 #1) Register 0195H, 0595H, 0995H and 0D95H: (STS1/STM0 #2) Register 019DH, 059DH, 099DH and 0D9DH: (STS1/STM0 #3) Register 01A5H, 05A5H, 09A5H and 0DA5H: (STS1/STM0 #4) Register 01ADH, 05ADH, 09ADH and 0DADH: (STS1/STM0 #5) Register 01B5H, 05B5H, 09B5H and 0DB5H: (STS1/STM0 #6) Register 01BDH, 05BDH, 09BDH and 0DBDH: (STS1/STM0 #7) Register 01C5H, 05C5H, 09C5H and 0DC5H: (STS1/STM0 #8) Register 01CDH, 05CDH, 09CDH and 0DCDH: (STS1/STM0 #9) Register 01D5H, 05D5H, 09D5H and 0DD5H: (STS1/STM0 #10) Register 01DDH, 0D5DH, 09DDH and 0DDDH: (STS1/STM0 #11) Register 01E5H, 05E5H, 09E5H and 0DE5H: (STS1/STM0 #12)	314
Indirect Register 00H: RHPP TU3 Pointer Interpreter Configuration	317
Indirect Register 01H: RHPP TU3 Error Monitor Configuration	319
Indirect Register 02H: RHPP TU3 Pointer Value and ERDI	322
Indirect Register 03H: RHPP TU3 captured and accepted PSL	323
Indirect Register 04H: RHPP TU3 Expected PSL and PDI.....	324
Indirect Register 05H: RHPP TU3 Pointer Interpreter status	325
Indirect Register 06H: RHPP TU3 Path BIP Error Counter.....	327
Indirect Register 07H: RHPP TU3 Path REI Error Counter	328
Indirect Register 08H: RHPP TU3 Path Negative Justification Event Counter	329
Indirect Register 09H: RHPP TU3 Path Positive Justification Event Counter.....	330

Register 0200H, 0600H, 0A00H, and 0E00H: RSVCA Indirect Address	331
Register 0201H, 0601H, 0A01H, and 0E01H: RSVCA Indirect Data.....	333
Register 0202H, 0602H, 0A02H, and 0E02H: RSVCA Payload Configuration.....	334
Register 0203H, 0603H, 0A03H, and 0E03H: RSVCA Positive Pointer Justification Interrupt Status.....	337
Register 0204H, 0604H, 0A04H, and 0E04H: RSVCA Negative Pointer Justification Interrupt Status.....	338
Register 0205H, 0605H, 0A05H, and 0E05H: RSVCA FIFO Overflow Interrupt Status	339
Register 0206H, 0606H, 0A06H, and 0E06H: RSVCA FIFO Underflow Interrupt Status	340
Register 0207H, 0607H, 0A07H, and 0E07H: RSVCA Pointer Justification Interrupt Enable	341
Register 0208H, 0608H, 0A08H, and 0E08H: RSVCA FIFO Interrupt Enable	342
Register 020AH, 060AH, 0A0AH, and 0E0AH: RSVCA Clear Fixed Stuff.....	343
Register 020BH, 060BH, 0A0BH, and 0E0BH: RSVCA Counter Update	344
Indirect Register 00H: RSVCA Positive Justifications Performance Monitor	345
Indirect Register 01H: RSVCA Negative Justifications Performance Monitor	346
Indirect Register 02H: RSVCA Diagnostic/Configuration.....	347
Register 0220H: DSTSI Indirect Address.....	349
Register 0221H: DSTSI Indirect Data	351
Register 0222H: DSTSI Configuration	353
Register 0223H: DSTSI Interrupt Status	355
Register 0240H, 0640H, 0A40H, and 0E40H: DPRGM Indirect Address.....	356
Register 0241H, 0641H, 0A41H, and 0E41H: DPRGM Indirect Data.....	358
Register 0242H, 0642H, 0A42H, and 0E42H: DPRGM Generator Payload Configuration.....	359
Register 0243H, 0643H, 0A43H, and 0E43H: DPRGM Monitor Payload Configuration.....	361
Register 0244H, 0644H, 0A44H, and 0E44H: DPRGM Monitor Byte Error Interrupt Status	363
Register 0245H, 0645H, 0A45H, and 0E45H: DPRGM Monitor Byte Error Interrupt Enable	364
Register 0246H, 0646H, 0A46H, and 0E46H: DPRGM Monitor B1/E1 Bytes Interrupt Status	365
Register 0247H, 0647H, 0A47H, and 0E47H: DPRGM Monitor B1/E1 Bytes Interrupt Enable	366
Register 0249H, 0649H, 0A49H, and 0E49H: DPRGM Monitor Synchronization Interrupt Status	367
Register 024AH, 064AH, 0A4AH, and 0E4AH: DPRGM Monitor Synchronization Interrupt Enable.....	368

Register 024BH, 064BH, 0A4BH, and 0E4BH: DPRGM Monitor Synchronization Status	369
Register 024CH, 064CH, 0A4CH, and 0E4CH: DPRGM Counter Update	370
Indirect Register 00H: DPRGM Monitor STS-1 Path Configuration	371
Indirect Register 01H: DPRGM Monitor PRBS[22:7] Accumulator	373
Indirect Register 02H: DPRGM Monitor PRBS[6:0] Accumulator	374
Indirect Register 03H: DPRGM Monitor B1/E1 value	375
Indirect Register 04H: DPRGM Monitor Error Count	376
Indirect Register 05H: DPRGM Monitor Received B1/E1 Bytes	377
Indirect Register 08H: DPRGM Generator STS-1 Path Configuration	378
Indirect Register 09H: DPRGM Generator PRBS[22:7] Accumulator	380
Indirect Register 0AH: DPRGM Generator PRBS[6:0] Accumulator	381
Indirect Register 0BH: DPRGM Generator B1/E1 value	382
Register 0260H, 0660H, 0A60H, and 0E60H: SARC Indirect Address	383
Register 0262H, 0662H, 0A62H, and 0E62H: SARC Section Configuration	384
Register 0263H, 0663H, 0A63H, and 0E63H: SARC Section Receive SALM Enable	385
Register 0264H, 0664H, 0A64H, and 0E64H: SARC Section Receive AIS-L Enable	388
Register 0265H, 0665H, 0A65H, and 0E65H: SARC Section Transmit RDI-L Enable	391
Register 0268H, 0668H, 0A68H, and 0E68H: SARC Path Configuration	394
Register 0269H, 0669H, 0A69H, and 0E69H: SARC Path Receive RALM Enable	396
Register 026AH, 066AH, 0A6AH, and 0E6AH: SARC Path Receive AIS-P Enable	399
Register 026BH, 066BH, 0A6BH, and 0E6BH: SARC TU3 Path Configuration	402
Register 026CH, 066CH, 0A6CH, and 0E6CH: SARC TU3 Path Receive RALM Enable	404
Register 026DH, 066DH, 0A6DH, and 0E6DH: SARC TU3 Path Receive AIS-P Enable	407
Register 0270H, 0670H, 0A70H, and 0E70H: SARC LOP Pointer Status	410
Register 0271H, 0671H, 0A71H, and 0E71H: SARC LOP Pointer Interrupt Enable	411
Register 0272H, 0672H, 0A72H, and 0E72H: SARC LOP Pointer Interrupt Status	412
Register 0273H, 0673H, 0A73H, and 0E73H: SARC AIS Pointer Status	413
Register 0274H, 0674H, 0A74H, and 0E74H: SARC AIS Pointer Interrupt Enable	414

Register 0275H, 0675H, 0A75H, and 0E75H: SARC AIS Pointer Interrupt Status	415
Register 0278H, 068DH, 0A78H, and 0E78H: SARC TU3 LOP Pointer Status	416
Register 0279H, 0679H, 0A79H, and 0E79H: SARC TU3 LOP Pointer Interrupt Enable	417
Register 027AH, 067AH, 0A7AH, and 0E7AH: SARC TU3 LOP Pointer Interrupt Status	418
Register 027BH, 067BH, 0A7BH, and 0E7BH: SARC TU3 AIS Pointer Status.....	419
Register 027CH, 067CH, 0A7CH, and 0E7CH: SARC TU3 AIS Pointer Interrupt Enable	420
Register 027DH, 067DH, 0A7DH, and 0E7DH: SARC TU3 AIS Pointer Interrupt Status	421
Register 0300H: DDLL Configuration.....	422
Register 0302H: DDLL Reset.....	423
Register 0303H: DDLL Status	424
Register 1020H: Tx2488 Analog Control/Status (Single 2488 Mode Only)	425
Register 1021H: TX2488 ABC Control.....	428
Register 1030H: Quad 622 Tx MABC CSUT Control Register	430
Register 1031H: Quad 622 Tx CSUT Clock Detector Control Register.....	431
Register 1032H: Quad 622 Tx CSUT Clock Detector Interrupt Status Register.....	432
Register 1033H, 1433H, 1833H, and 1C33H: Quad 622 Tx MABC and JAT622 Channel Control and Status Register	433
Register 1040H: STLI Clock Configuration	434
Register 1041H: STLI PGM Clock Configuration	436
Register 1060H, 1460H, 1860H, and 1C60H: JAT622 Configuration	438
Register 1061H, 1461H, 1861H, and 1C61H: JAT622 Configuration and Interrupt Enable	440
Register 1062H, 1462H, 1862H, and 1C62H: JAT622 Status	442
Register 1063H, 1463H, 1863H, and 1C63H: JAT622 Power Down.....	443
Register 1080H, 1480H, 1880H, and 1C80H: TRMP Configuration	444
Register 1081H, 1481H, 1881H, and 1C81H: TRMP Register Insertion	447
Register 1082H, 1482H, 1882H, and 1C82H: TRMP Error Insertion.....	450
Register 1083H, 1483H, 1883H, and 1C83H: TRMP Transmit J0 and Z0	453
Register 1084H, 1484H, 1884H, and 1C84H: TRMP Transmit E1 and F1.....	454
Register 1085H, 1485H, 1885H, and 1C85H: TRMP Transmit D1D3 and D4D12.....	455
Register 1086H, 1486H, 1886H, and 1C86H: TRMP Transmit K1 and K2.....	456
Register 1087H, 1487H, 1887H, and 1C87H: TRMP Transmit S1 and Z1.....	457
Register 1088H, 1488H, 1888H, and 1C88H: TRMP Transmit Z2 and E2.....	458

Register 1089H, 1489H, 1889H, and 1C89H: TRMP Transmit H1 and H2 Mask.....	459
Register 108AH, 148AH, 188AH, and 1C8AH: TRMP Transmit B1 and B2 Mask	460
Register 10A0H, 14A0H, 18A0H, and 1CA0H: TTTP SECTION Indirect Address	461
Register 10A1H, 14A1H, 18A1H, and 1CA1H: TTTP SECTION Indirect Data.....	463
Indirect Register 00H: TTTP SECTION Trace Configuration.....	464
Indirect Register 40H to 7FH: TTTP SECTION Trace	465
Register 10C0H, 14C0H, 18C0H, and 1CC0H: TTTP PATH Indirect Address.....	466
Register 10C1H, 14C1H, 18C1H, and 1CC1H: TTTP PATH Indirect Data	468
Indirect Register 00H: TTTP PATH Trace Configuration	469
Indirect Register 40H to 7FH: TTTP PATH Trace.....	470
Register 10E0H, 14E0H, 18E0H, and 1CE0H: TTTP PATH TU3 Indirect Address	471
Register 10E1H, 14E1H, 18E1H, and 1CE1H: TTTP PATH TU3 Indirect Data	473
Indirect Register 00H: TTTP PATH TU3 Trace Configuration	474
Indirect Register 40H to 7FH: TTTP PATH TU3 Trace	475
Register 1100H, 1500H, 1900H, and 1D00H: THPP Indirect Address	476
Register 1101H, 1501H, 1901H, and 1D01H: THPP Indirect Data.....	478
Register 1102H, 1502H, 1902H, and 1D02H: THPP Payload Configuration.....	479
Indirect Register 00H: THPP Control	481
Indirect Register 01H: THPP Source and Pointer Control	483
Indirect Register 04H: THPP Fixed Stuff and B3 Mask.....	485
Indirect Register 05H: THPP J1 and C2.....	486
Indirect Register 06H: THPP G1 and H4 Mask.....	487
Indirect Register 07H: THPP F2 and Z3.....	488
Indirect Register 08H: THPP Z4 and Z5.....	489
Register 1180H, 1580H, 1980H, and 1D80H: THPP TU3 Indirect Address	490
Register 1181H, 1581H, 1981H, and 1D81H: THPP TU3 Indirect Data	492
Register 1182H, 1582H, 1982H, and 1D82H: THPP TU3 Payload Configuration.....	493
Indirect Register 00H: THPP TU3 Control.....	495
Indirect Register 01H: THPP TU3 Source and Pointer Control.....	497
Indirect Register 04H: THPP TU3 Fixed Stuff and B3 Mask.....	499
Indirect Register 05H: THPP TU3 J1 and C2.....	500
Indirect Register 06H: THPP TU3 G1 and H4 mask.....	501
Indirect Register 07H: THPP TU3 F2 and Z3.....	502
Indirect Register 08H: THPP TU3 Z4 and Z5.....	503
Register 1200H, 1600H, 1A00H, and 1E00H: TSVCA Indirect Address	504

Register 1201H, 1601H, 1A01H, and 1E01H: TSVCA Indirect Data	506
Register 1202H, 1602H, 1A02H, and 1E02H: TSVCA Payload Configuration	507
Register 1203H, 1603H, 1A03H, and 1E03H: TSVCA Positive Pointer Justification Interrupt Status	510
Register 1204H, 1604H, 1A04H, and 1E04H: TSVCA Negative Pointer Justification Interrupt Status	511
Register 1205H, 1605H, 1A05H, and 1E05H: TSVCA FIFO Overflow Interrupt Status	512
Register 1206H, 1606H, 1A06H, and 1E06H: TSVCA FIFO Underflow Interrupt Status	513
Register 1207H, 1607H, 1A07H, and 1E07H: TSVCA Pointer Justification Interrupt Enable	514
Register 1208H, 1608H, 1A08H, and 1E08H TSVCA FIFO Interrupt Enable	515
Register 120AH, 160AH, 1A0AH, and 1E0AH: TSVCA Misc	516
Register 120BH, 160BH, 1A0BH, and 1E0BH: TSVCA Counter Update	517
Indirect Register 00H: TSVCA Positive Justifications Performance Monitor	518
Indirect Register 01H: TSVCA Negative Justifications Performance Monitor	519
Indirect Register 02H: TSVCA Diagnostic/Configuration	520
Indirect Register 03H: TSVCA AU-4 pointer	522
Register 1220H: ASTSI Indirect Address	523
Register 1221H: ASTSI Indirect Data	525
Register 1222H: ASTSI Configuration	527
Register 1223H: ASTSI Interrupt Status	529
Register 1240H, 1640H, 1A40H, and 1E40H: APRGM Indirect Address	530
Register 1241H, 1641H, 1A41H, and 1E41H: APRGM Indirect Data	532
Register 1242H, 1642H, 1A42H, and 1E42H: APRGM Generator Payload Configuration	533
Register 1243H, 1643H, 1A43H, and 1E43H: APRGM Monitor Payload Configuration	535
Register 1244H, 1644H, 1A44H, and 1E44H: APRGM Monitor Byte Error Interrupt Status	537
Register 1245H, 1645H, 1A45H, and 1E45H: APRGM Monitor Byte Error Interrupt Enable	538
Register 1246H, 1646H, 1A46H, and 1E46H: APRGM Monitor B1/E1 Bytes Interrupt Status	539
Register 1247H, 1647H, 1A47H, and 1E47H: APRGM Monitor B1/E1 Bytes Interrupt Enable	540
Register 1249H, 1649H, 1A49H, and 1E49H: APRGM Monitor Synchronization Interrupt Status	541
Register 124AH, 164AH, 1A4AH, and 1E4AH: APRGM Monitor Synchronization Interrupt Enable	542

Register 124BH, 164BH, 1A4BH, and 1E4BH: APRGM Monitor Synchronization Status	543
Register 124CH, 164CH, 1A4CH, and 1E4CH: APRGM Counter Update	544
Indirect Register 00H: APRGM Monitor STS-1 path Configuration	545
Indirect Register 01H: APRGM Monitor PRBS[22:7] Accumulator	547
Indirect Register 02H: APRGM Monitor PRBS[6:0] Accumulator	548
Indirect Register 03H: APRGM Monitor B1/E1 Value	549
Indirect Register 04H: APRGM Monitor Error Count.....	550
Indirect Register 05H: APRGM Monitor Received B1/E1 Bytes	551
Indirect Register 08H: APRGM Generator STS-1 Path Configuration.....	552
Indirect Register 09H: APRGM Generator PRBS[22:7] Accumulator	554
Indirect Register 0AH: APRGM Generator PRBS[6:0] Accumulator.....	555
Indirect Register 0BH: APRGM Generator B1/E1 value	556
Register 1280H, 1680H, 1A80H, and 1E80H: TAPI Indirect Address	557
Register 1281H, 1681H, 1A81H, and 1E81H: TAPI Indirect Data	559
Register 1282H, 1682H, 1A82H, and 1E82H: TAPI Payload Configuration	560
Register 1283H, 1683H, 1A83H, and 1E83H: TAPI Counters Update	562
Register 1284H, 1684H, 1A84H, and 1E84H: TAPI Path Interrupt Status	563
Register 1285H, 1685H, 1A85H, and 1E85H: TAPI Pointer Concatenation Processing Disable	564
Register 1288H, 1688H, 1A88H and 1E88H: TAPI Pointer Interpreter Status(STS1/STM0 #1) Register 1290H, 1690H, 1A90H and 1E90H: (STS1/STM0 #2) Register 1298H, 1698H, 1A98H and 1E98H: (STS1/STM0 #3) Register 12A0H, 16A0H, 1AA0H and 1EA0H: (STS1/STM0 #4) Register 12A8H, 16A8H, 1AA8H and 1EA8H: (STS1/STM0 #5) Register 12B0H, 16B0H, 1AB0H and 1EB0H: (STS1/STM0 #6) Register 12B8H, 16B8H, 1AB8H and 1EB8H: (STS1/STM0 #7) Register 12C0H, 16C0H, 1AC0H and 1EC0H: (STS1/STM0 #8) Register 12C8H, 16C8H, 1AC8H and 1EC8H: (STS1/STM0 #9) Register 12D0H, 16D0H, 1AD0H and 1ED0H: (STS1/STM0 #10) Register 12D8H, 16D8H, 1AD8H and 1ED8H: (STS1/STM0 #11) Register 12E0H, 16E0H, 1AE0H and 1EE0H: (STS1/STM0 #12)	565

Register 1289H, 1689H, 1A89H and 1E89H: TAPI Pointer Interpreter Interrupt
 Enable (STS1/STM0 #1) Register 1291H, 1691H, 1A91H and 1E91H:
 (STS1/STM0 #2) Register 1299H, 1699H, 1A99H and 1E99H:
 (STS1/STM0 #3) Register 12A1H, 16A1H, 1AA1H and 1EA1H:
 (STS1/STM0 #4) Register 12A9H, 16A9H, 1AA9H and 1EA9H:
 (STS1/STM0 #5) Register 12B1H, 16B1H, 1AB1H and 1EB1H:
 (STS1/STM0 #6) Register 12B9H, 16B9H, 1AB9H and 1EB9H:
 (STS1/STM0 #7) Register 12C1H, 16C1H, 1AC1H and 1EC1H:
 (STS1/STM0 #8) Register 12C9H, 16C9H, 1AC9H and 1EC9H:
 (STS1/STM0 #9) Register 12D1H, 16D1H, 1AD1H and 1ED1H:
 (STS1/STM0 #10) Register 12D9H, 16D9H, 1AD9H and 1ED9H:
 (STS1/STM0 #11) Register 12E1H, 16E1H, 1AE1H and 1EE1H:
 (STS1/STM0 #12) 567

Register 128AH, 168AH, 1A8AH and 1E8AH: TAPI Pointer Interpreter Interrupt
 Status (STS1/STM0 #1) Register 1292H, 1692H, 1A92H and 1E92H:
 (STS1/STM0 #2) Register 129AH, 169AH, 1A9AH and 1E9AH:
 (STS1/STM0 #3) Register 12A2H, 16A2H, 1AA2H and 1EA2H:
 (STS1/STM0 #4) Register 12AAH, 16AAH, 1AAAH and 1EAAH:
 (STS1/STM0 #5) Register 12B2H, 16B2H, 1AB2H and 1EB2H:
 (STS1/STM0 #6) Register 12BAH, 16BAH, 1ABAH and 1EBAH:
 (STS1/STM0 #7) Register 12C2H, 16C2H, 1AC2H and 1EC2H:
 (STS1/STM0 #8) Register 12CAH, 16CAH, 1ACAH and 1ECAH:
 (STS1/STM0 #9) Register 12D2H, 16D2H, 1AD2H and 1ED2H:
 (STS1/STM0 #10) Register 12DAH, 16DAH, 1ADAH and 1EDAH:
 (STS1/STM0 #11) Register 12E2H, 16E2H, 1AE2H and 1EE2H:
 (STS1/STM0 #12) 569

Register 128BH, 168BH, 1A8BH and 1E8BH: TAPI Error Monitor Status
 (STS1/STM0 #1) Register 1293H, 1693H, 1A93H and 1E93H:
 (STS1/STM0 #2) Register 129BH, 169BH, 1A9BH and 1E9BH:
 (STS1/STM0 #3) Register 12A3H, 16A3H, 1AA3H and 1EA3H:
 (STS1/STM0 #4) Register 12ABH, 16ABH, 1AABH and 1EABH:
 (STS1/STM0 #5) Register 12B3H, 16B3H, 1AB3H and 1EB3H:
 (STS1/STM0 #6) Register 12BBH, 16BBH, 1ABBH and 1EBBH:
 (STS1/STM0 #7) Register 12C3H, 16C3H, 1AC3H and 1EC3H:
 (STS1/STM0 #8) Register 12CBH, 16CBH, 1ACBH and 1ECBH:
 (STS1/STM0 #9) Register 12D3H, 16D3H, 1AD3H and 1ED3H:
 (STS1/STM0 #10) Register 12DBH, 16DBH, 1ADBH and 1EDBH:
 (STS1/STM0 #11) Register 12E3H, 16E3H, 1AE3H and 1EE3H:
 (STS1/STM0 #12) 571

Register 128CH, 168CH, 1A8CH and 1E8CH: TAPI Error Monitor Interrupt
 Enable (STS1/STM0 #1) Register 1294H, 1694H, 1A94H and 1E94H:
 (STS1/STM0 #2) Register 129CH, 169CH, 1A9CH and 1E9CH:
 (STS1/STM0 #3) Register 12A4H, 16A4H, 1AA4H and 1EA4H:
 (STS1/STM0 #4) Register 12ACH, 16ACH, 1AACH and 1EACH:
 (STS1/STM0 #5) Register 12B4H, 16B4H, 1AB4H and 1EB4H:
 (STS1/STM0 #6) Register 12BCH, 16BCH, 1ABCH and 1EBCH:
 (STS1/STM0 #7) Register 12C4H, 16C4H, 1AC4H and 1EC4H:
 (STS1/STM0 #8) Register 12CCH, 16CCH, 1ACCH and 1ECCH:
 (STS1/STM0 #9) Register 12D4H, 16D4H, 1AD4H and 1ED4H:
 (STS1/STM0 #10) Register 12DCH, 16DCH, 1ADCH and 1EDCH:
 (STS1/STM0 #11) Register 12E4H, 16E4H, 1AE4H and 1EE4H:
 (STS1/STM0 #12) 574

Register 128DH, 168DH, 1A8DH and 1E8DH: TAPI Error Monitor Interrupt Status (STS1/STM0 #1)	Register 1295H, 1695H, 1A95H and 1E95H:	
(STS1/STM0 #2)	Register 129DH, 169DH, 1A9DH and 1E9DH:	
(STS1/STM0 #3)	Register 12A5H, 16A5H, 1AA5H and 1EA5H:	
(STS1/STM0 #4)	Register 12ADH, 16ADH, 1AADH and 1EADH:	
(STS1/STM0 #5)	Register 12B5H, 16B5H, 1AB5H and 1EB5H:	
(STS1/STM0 #6)	Register 12BDH, 16BDH, 1ABDH and 1EBDH:	
(STS1/STM0 #7)	Register 12C5H, 16C5H, 1AC5H and 1EC5H:	
(STS1/STM0 #8)	Register 12CDH, 16CDH, 1ACDH and 1ECDH:	
(STS1/STM0 #9)	Register 12D5H, 16D5H, 1AD5H and 1ED5H:	
(STS1/STM0 #10)	Register 12DDH, 16DDH, 1ADDH and 1EDDH:	
(STS1/STM0 #11)	Register 12E5H, 16E5H, 1AE5H and 1EE5H:	
(STS1/STM0 #12)		577
Indirect Register 00H: TAPI Pointer Interpreter Configuration		580
Indirect Register 01H: TAPI Error Monitor Configuration		582
Indirect Register 02H: TAPI Pointer Value and ERDI		585
Indirect Register 03H: TAPI Captured and Accepted PSL		586
Indirect Register 04H: TAPI Expected PSL and PDI		587
Indirect Register 05H: TAPI Pointer Interpreter Status		588
Indirect Register 06H: TAPI Path BIP Error Counter		590
Indirect Register 07H: TAPI Path REI Error Counter		591
Indirect Register 08H: TAPI Path Negative Justification Event Counter		592
Indirect Register 09H: TAPI Path Positive Justification Event Counter		593
Register 1300H: ADLL Configuration		594
Register 1302H: Add DLL Reset		595
Register 1303H: ADLL Status		596
Register 2000H: SPECTRA 1x2488 Master Test		598
Register 2001H: SPECTRA 1x2488 Test Mode Address Force Enable		600
Register 2002H: SPECTRA 1x2488 Test Mode Address Force Value		601

List of Figures

Figure 1 STS-48/STM-16 Application with 77.76 MHz Byte TelecomBus Interface	41
Figure 2 STS-48/STM-16 Application with 77.76 MHz 32-Bit TelecomBus Interface	42
Figure 3 Block Diagram for Single STS-48/STM-16 Mode	43
Figure 4 Block Diagram for Quad STS-12/STM-4 Mode.....	44
Figure 5 Loop Back Modes: Single STS-48/STM-16 Mode	45

Downloaded by Content Team of Partminer Inc on Thursday, 27 April, 2016 09:55:04 PM

Figure 12	Concatenation Pointer Interpretation State Diagram	81
Figure 13	STS-12 (STM-4) on TTOH 1-4or STS-48 (STM-16) on TTOH1	86
Figure 14	STS-48 (STM-16) on TTOH2-4.....	87
Figure 15	Pointer Generation State Diagram.....	94
Figure 16	STS-48C (AU4-16c) 4-Byte Interleaving on the 32-Bit TelecomBus	97
Figure 17	Input Observation Cell (IN_CELL)	613
Figure 18	Output Cell (OUT_CELL)	613
Figure 19	Bi-directional Cell (IO_CELL).....	614
Figure 20	Layout of Output Enable and Bi-directional Cells	614
Figure 21	STS-12 (STM-4) on RTOH 1-4/TTOH1-4	615
Figure 22	STS-48 (STM-16) on RTOH1/TTOH1.....	616
Figure 23	STS-48 (STM-16) on RTOH2/TTOH2.....	616
Figure 24	STS-48 (STM-16) on RTOH3/TTOH3.....	617
Figure 25	STS-48 (STM-16) on RTOH4/TTOH4.....	617
Figure 26	Boundary Scan Architecture	635
Figure 27	TAP Controller Finite State Machine.....	636
Figure 28	Interfacing SPECTRA 1x2488 PECL Line Interface	640
Figure 29	PECL Levels (100K Characteristics).....	641
Figure 30	SPECTRA 1x2488 Channel #1 Tx Termination Scheme #1	643
Figure 31	SPECTRA 1x2488 Channel #1 Tx Termination Scheme #2	643
Figure 32	SPECTRA 1x2488 Channel #2, 3, 4 Tx Termination Scheme	644
Figure 33	SPECTRA 1x2488 Rx Termination Scheme.....	644
Figure 34	ADD Parallel TelecomBus Timing.....	646
Figure 35	DROP Parallel TelecomBus.....	648
Figure 36	RTOH Output Timing	649
Figure 37	RTOH and ROHFP Output Timing.....	649
Figure 38	RLD and RSLD Output Timing.....	650
Figure 39	RLD, RSLD and ROHFP Output Timing.....	651
Figure 40	RPOH Output Timing	652
Figure 41	RPOH STS-1/STM-0 Time Slots Output Timing	652
Figure 42	TTOH and TTOHEN Input Timing.....	653
Figure 43	TTOH and TOHFP Input Timing	653
Figure 44	TLD and TSLD Input Timing	654
Figure 45	TLD, TSLD and TOHFP Input Timing.....	655
Figure 46	RPOH Input Timing	656
Figure 47	TPOH STS-1/STM-0 Time Slots Input Timing	656

Figure 48	RRCP Output Timing	657
Figure 49	TRCP Input Timing.....	658
Figure 50	RALM Output Timing.....	659
Figure 51	Analog Power Supply Filtering.....	665
Figure 52	System Miscellaneous Timing Diagram.....	669
Figure 53	Receive Overhead Output Timing Diagram	671
Figure 54	RSLDCLK Output Timing Diagram	671
Figure 55	RLDCLK Output Timing Diagram.....	671
Figure 56	Transmit Overhead Input Timing Diagram.....	672
Figure 57	Transmit Overhead Output Timing Diagram	672
Figure 58	TSLDCLK Input Timing Diagram	673
Figure 59	TLDCLK Input Timing Diagram.....	673
Figure 60	Transmit Ring Control Input Timing Diagram.....	673
Figure 61	System Interface ADD Bus Input Timing Diagram.....	674
Figure 62	System Interface DROP Bus Input Timing Diagram.....	675
Figure 63	System Interface DROP Bus Output Timing Diagram	675
Figure 64	JTAG Port Interface Timing.....	676
Figure 65	Intel Microprocessor Interface Read Timing	677
Figure 66	Intel Microprocessor Interface Write Timing	678
Figure 67	Mechanical Drawing 500-pin UBGA	680

List of Tables

Table 1	A1/A2 Bytes Used for Out of Frame Detection	73
Table 2	A1/A2 Bytes Used for In Frame Detection	74
Table 3	PLM-P, UNEQ-P, and PDI-P Defects Declaration	83
Table 4	Expected PDI Defect Based on PDI and PDI Range Values	84
Table 5	Maximum Line REI Errors Per Transmit Frame	86
Table 6	TOH Insertion Priority	87
Table 7	Z0/National Growth Bytes Definition For Row #1	89
Table 8	POH Insertion Priority	91
Table 9	STS-1 (STM-0) Path Numbering For An STS-12/12c (STM-4/AU4-4c)	96
Table 10	System Side ADD Bus Configuration Options	98
Table 11	Register Memory Map	100
Table 12	TX2488 Mode Control	426
Table 13	Test Mode Register Memory Map	597
Table 14	Instruction Register (Length - 3 Bits)	602
Table 15	Identification Register	602
Table 16	Boundary Scan Register	602
Table 17	Recommended BERM Settings For Different OC and BER Rates, Meeting Bellcore Objectives	624
Table 18	Recommended BERM Settings For Different OC and BER Rates, Meeting Bellcore and ITU Requirements	625
Table 19	Standard TelecomBus Timeslot Map	626
Table 20	SPECTRA 1x2488 and ODL PECL Amplitude Specifications	642
Table 21	Ring Control Port Bit Definition	657
Table 22	Absolute Maximum Ratings	660
Table 23	Normal Operating Voltages for 0.18um CMOS	661
Table 24	Power Requirements	662
Table 25	Analog Power Supply Filtering	663
Table 26	D.C. Characteristics	667
Table 27	System Miscellaneous Timing (Figure 52)	669
Table 28	OC-48 Line Interface Input Timing	669
Table 29	OC-12 Line Interface 77.76 MHz Mode Input Timing	670
Table 30	OC-12 Line Interface 155.52 MHz Mode Input Timing	670
Table 31	Receive Overhead Output Timing	670
Table 32	RSLDCLK Output Timing	671
Table 33	RLDCLK Output Timing	671

Table 34	Transmit Overhead Input Timing.....	672
Table 35	Transmit Overhead Output Timing.....	672
Table 36	TSLDCLK Input Timing	673
Table 37	TLCLK Input Timing.....	673
Table 38	Transmit Ring Control Input Timing	673
Table 39	System Interface ADD Bus Input Timing.....	674
Table 40	System Interface DROP Bus Input Timing.....	674
Table 41	System Interface DROP Bus Output Timing	675
Table 42	JTAG Port Interface (Figure 64).....	675
Table 43	Microprocessor Interface Read Access (Figure 65).....	676
Table 44	Microprocessor Interface Write Access (Figure 66).....	677
Table 45	Thermal Information	679
Table 46	Device Compact Model and Heat Sink Requirements.....	679
Table 47	Ordering Information	681

Downloaded by Content Team of Partminer Inc on Thursday, 27 April, 2006 09:55:04 PM

1 Definitions

The following table defines the abbreviations for the PM5332 SPECTRA™ 1x2488 device.

Term	Definition
SRLI	SONET/SDH Receive Line Interface
RRMP	Receive Regenerator Multiplexer Processor
RHPP	Receive High order Path Processor
RTTP	Received Trail trace Processor
STLI	SONET/SDH Transmit Line Interface
TRMP	Transmit Regenerator Multiplexer Processor
THPP	Transmit High order Path Processor
TTTP	Transmit Trail trace Processor
SVCA	SONET/SDH Virtual Container Aligner
STSI	SONET/SDH Time Slot Interchange
PRGM	PRBS Generator and Monitor
TAPI	Transmit Add bus Pointer Interpreter
SARC	SONET/SDH Alarm Reporting Controller
SBER	SONET/SDH Bit Error Rate

2 Features

2.1 General

The PM5332 SPECTRA 1x2488 device is a single channel STS-48/STM-16 or a four channel STS-12/STM-4 SONET/SDH Payload Extractor/Aligner with SERDES. It is also a monolithic SONET/SDH Payload Extractor/Aligner for use in interface applications, operating at serial interface speeds of up to 2488 Mbit/s, using a:

- Single STS-48c (STM-16/AU4-16c) or
- Single STS-48 (STM-16/AU4-12c/AU4-8c/AU4-4c/AU4/AU3/TU3) or
- Quad STS-12c (STM-4/AU4-4c) or
- Quad STS-12 (STM-4/AU4/AU3/TU3)
- In single STS-48/STM-16 mode, processes bit-serial 2488.32 Mbit/s STS-48 (STM-16-16c) data streams with on-chip clock and data recovery, clock synthesis and serializer-deserializer.
- In quad STS-12/STM-4 mode, processes four bit-serial 622.08 Mbit/s STS-12 (STM-4-4c) data streams with on-chip clock and data recovery, clock synthesis and serializer-deserializer.
- Complies with Bellcore GR-253-CORE jitter tolerance and intrinsic jitter criteria.
- Provides termination for SONET Section, Line and Path overhead or SDH Regenerator Section, Multiplexer Section and High Order Path overhead.
- Translates AU4/3x(TUG3/TU3/VC3) into 3x(AU3/VC3) from the receive side to the DROP TelecomBus.
- Translates 3x(AU3/VC3) into AU4/3x(TUG3/TU3/VC3) from the ADD TelecomBus to the transmit side.
- In single STS-48/STM-16 mode, provides a 32-bit 77.76 MHz ADD and DROP TelecomBus.
- In quad STS-12/STM-4 mode provides four 8-bit 77.76 MHz ADD and DROP TelecomBuses.
- Maps SONET/SDH payloads to system timing, accommodating plesiochronous timing offsets between the line and system timing references, through pointer processing.
- Provides Time Slot Interchange (TSI) function at the ADD and DROP TelecomBuses for grooming any legal mix of SONET/SDH paths.
- Supports line loop back from the line side receive stream to the transmit stream and diagnostic loop back from the line side transmit stream to the line side receive stream interface.
- Provides a standard 5 signal IEEE 1149.1 JTAG test port for boundary scan board test purposes.
- Provides a generic 16-bit microprocessor bus interface for configuration, control, and status monitoring.

- Low power 1.8 V CMOS core logic with 3.3 V CMOS/TTL compatible digital inputs and digital outputs. PECL inputs and outputs are 3.3 V compatible.
- 500 pin UBGA package.

2.2 SONET Section and Line / SDH Regenerator and Multiplexer Section

- Frames to the SONET/SDH receive stream and inserts the framing bytes (A1, A2) and the section trace byte (J0) into the transmit stream. Also descrambles the receive stream and scrambles the transmit stream.
- Calculates and compares the bit interleaved parity (BIP) error detection codes (B1, B2) for the receive stream. Calculates and inserts B1, B2 in the transmit stream. Accumulates near end errors (B1, B2) and far end errors (M1). Inserts line remote error indications (REI) into the M1 byte based on received B2 errors.
- Detects signal degrade (SD) and signal fail (SF) threshold crossing alarms based on received B2 errors.
- Uses dedicated pins to insert and extract the entire SONET/SDH transport overhead. The transport overhead bytes may be sourced from internal registers or from bit serial transport overhead input stream. Transport overhead insertion may also be disabled.
- In single STS-48/STM-16 mode, extracts and serializes the data communication channels (D1-D3, D4-D12) on dedicated pins and inserts the corresponding signals into the transmit stream.
- In quad STS-12/STM-4 mode, extracts and serializes the data communication channels (D1-D3, D4-D12) on dedicated pins and inserts the corresponding signals into the transmit stream for all four streams.
- Extracts and filters the automatic protection switch (APS) channel (K1, K2) bytes into internal registers. Inserts the APS channel into the transmit stream.
- Extracts and filters the synchronization status message (S1) byte into an internal register. Inserts the synchronization status message byte into the transmit stream.
- Extracts a 16 or 64-byte section trace (J0) message using an internal register bank for the receive stream. Detects an unstable message or mismatch message with an expected message. Provides access to the accepted message via the microprocessor port. Inserts a 16 byte or 64-byte section trace (J0) message using an internal register bank for the transmit stream.
- Detects loss of signal (LOS), out of frame (OOF), loss of frame (LOF), line remote defect indication (RDI), line alarm indication signal (AIS), and protection switching byte failure alarms on the receive stream.
- Provides a transmit and receive ring control port that allow alarms and status to be passed between mate SPECTRA 1x2488's for ring-based add drop multiplexer and line multiplexer applications.
- Configurable to force Line AIS in the transmit stream.
- Provides automatic transmit line RDI insertion following detection of various received alarms (LOS, LOF, LAIS, SD, SF, STIM, and STIU).

- Provides automatic DROP bus line AIS insertion following detection of various received alarms (LOS, LOF, LAIS, SD, SF, STIM, and STIU).

2.3 SONET Path / SDH High Order Path

- Interprets any legal mix of STS (AU and TU3) pointer bytes (H1, H2, and H3), extracts the synchronous payload envelope(s), and processes the path overhead for the receive stream.
- Generates any legal mix of STS (AU and TU3) pointer bytes (H1, H2, and H3) and inserts the path overhead for the transmit stream.
- Detects loss of pointer (LOP), path alarm indication signal (PAIS), and path (normal and enhanced) remote defect indication (RDI) for the receive stream. Optionally inserts path alarm indication signal (PAIS) and path remote defect indication (RDI) in the transmit stream.
- Extracts and inserts the entire SONET/SDH path overhead to and from dedicated pins. The path overhead bytes may be sourced from internal registers or from the bit serial path overhead input stream. Path overhead insertion may also be disabled.
- Extracts the received path payload label (C2) byte into an internal register and detects for payload label unstable (PLU), payload label mismatch (PLM), payload unequipped (UNEQ), and payload defect indication (PDI). Inserts the path payload label (C2) byte from an internal register for the transmit stream.
- Extracts a 16-byte or 64-byte path trace (J1) message using an internal register bank for the receive stream. Detects an unstable message or mismatch message with an expected message. Provides access to the captured, accepted, and expected messages via the microprocessor port. Inserts a 16-byte or 64-byte path trace (J1) message using an internal register bank for the transmit stream.
- Calculates received path BIP-8 and counts received path BIP-8 errors for performance monitoring purposes. BIP-8 errors are selectable to be treated on a bit basis or block basis. Optionally calculates and inserts path BIP-8 error detection codes for the transmit stream.
- Counts received path remote error indications (REI) for performance monitoring purposes. Optionally inserts the path REI count into the path status byte (G1) based on bit or block BIP-8 errors detected in the receive path.
- Provides access via path overhead ports to all of the overhead bytes needed to implement Tandem Connections.
- Ring control port provides communication of path REI and path RDI alarms to the transmit stream of a mate SPECTRA 1x2488 in the return direction.
- Provides automatic transmit path RDI and path Enhanced RDI insertion following detection of various received alarms (LAIS, LOP, LOPC, PAIS, PAISC, PTIM, PTIU, PLM, PLU, UNEQ, and PDI).
- Provides automatic DROP bus path AIS insertion following detection of various received alarms (LAIS, LOP, LOPC, PAIS, PAISC, PTIM, PTIU, PLM, PLU, UNEQ, and PDI).

2.4 System Side Interfaces

- In single STS-48/STM-16 mode, provides a single 32-bit 77.76 MHz TelecomBus interface.

- In quad STS-12/STM-4 mode, provides four 8-bit 77.76 MHz TelecomBus interfaces.
- TelecomBus interfaces indicate/accept the location of the section trace byte (J0), optionally the path trace byte(s) (J1), and all synchronous payload envelope bytes in the byte serial stream.
- TelecomBus accommodates phase and frequency differences between the receive/transmit streams and the DROP/ADD buses via pointer adjustments.
- Provides TSI function to interchange or groom paths at the ADD and DROP TelecomBuses.

3 Applications

- SONET/SDH Add Drop Multiplexers
- SONET/SDH Terminal Multiplexers
- SONET/SDH Line Multiplexers
- SONET/SDH Cross-connects
- SONET/SDH Tandem Path Termination Equipment
- SONET/SDH Test Equipment
- AU3 to AU4 conversions
- Switches and Hubs
- Routers

Downloaded by Content Team of Partminer Inc on Thursday, 27 April, 2006 09:55:04 PM

4 References

1. American National Standard for Telecommunications - Digital Hierarchy - Optical Interface Rates and Formats Specification, ANSI T1.105-1991.
2. American National Standard for Telecommunications - Layer 1 In-Service Digital Transmission Performance Monitoring, T1X1.3/93-005R1, April 1993.
3. American National Standard for Telecommunications – Synchronous Optical Network (SONET) – Tandem Connection Maintenance, ANSI T1.105.05-1994.
4. Committee T1 Contribution, "Draft of T1.105 - SONET Rates and Formats", T1X1.5/94-033R2-1994.
5. Bell Communications Research - GR-253-CORE "SONET Transport Systems: Common Generic Criteria", Issue 2 Revision 2, January 1999.
6. Bell Communications Research - GR-436-CORE "Digital Network Synchronization Plan", Issue 1 Revision 1, June 1996.
7. ETS 300 417-1-1, "Generic Functional Requirements for Synchronous Digital Hierarchy (SDH) Equipment", January 1996.
8. ITU-T Recommendation G.703 - "Physical/Electrical Characteristics of Hierarchical Digital Interfaces", 1991.
9. ITU-T Recommendation G.704 - "General Aspects of Digital Transmission Systems; Terminal Equipment - Synchronous Frame Structures Used At 1544, 6312, 2048, 8488 and 44 736 Kbit/s Hierarchical Levels", July 1995.
10. ITU, Recommendation G.707 - "Network Node Interface For The Synchronous Digital Hierarchy", 1996.
11. ITU Recommendation G.781, - "Structure of Recommendations on Equipment for the Synchronous Digital Hierarchy (SDH)", January 1994.
12. ITU Recommendation G.783, "Characteristics of Synchronous Digital Hierarchy (SDH) Equipment Functional Blocks", 28 October 1996.
13. ITU Recommendation O.151, "Error Performance measuring Equipment Operating at the Primary Rate and Above", October 1992.
14. ITU Recommendation I.432, "ISDN User Network Interfaces", March 1993.
15. Electronic Industries Association. *Methodology for the Thermal Measurement of Component Packages (Single Semiconductor Device)*: EIA/JESD51. December 1995.
16. Electronic Industries Alliance 1999. *Integrated Circuit Thermal Test Method Environmental Conditions -Junction-to-Board: JESD51-8*. October 1999.

17. Telcordia Technologies. *Network Equipment-Building System (NEBS) Requirements: Physical Protection: Telcordia Technologies Generic Requirements GR-63-CORE*. Issue 1. October 1995.
18. SEMI (Semiconductor Equipment and Materials International). *SEMI G30-88 Test Method for Junction-to-Case Thermal Resistance Measurements of Ceramic Packages*. 1988.

Downloaded by Content Team of Partminer Inc on Thursday, 27 April, 2006 09:55:24 PM

5 Application Examples

The SPECTRA 1x2488 device can be used in SONET/SDH network elements including switches, terminal multiplexers, and add-drop multiplexers. In these applications, the SPECTRA 1x2488 line interface typically connects to an optical module. On the system side interface, the SPECTRA 1x2488 connects directly to a TelecomBus.

Figure 1 shows how the SPECTRA 1x2488 is used to implement a 2488 Mbit/s aggregate interface. In this application, the SPECTRA 1x2488 performs SONET/SDH section, line, and path termination and the PM5363 TUPP™ +622 device performs tributary pointer processing and performance monitoring.

Figure 1 STS-48/STM-16 Application with 77.76 MHz Byte TelecomBus Interface

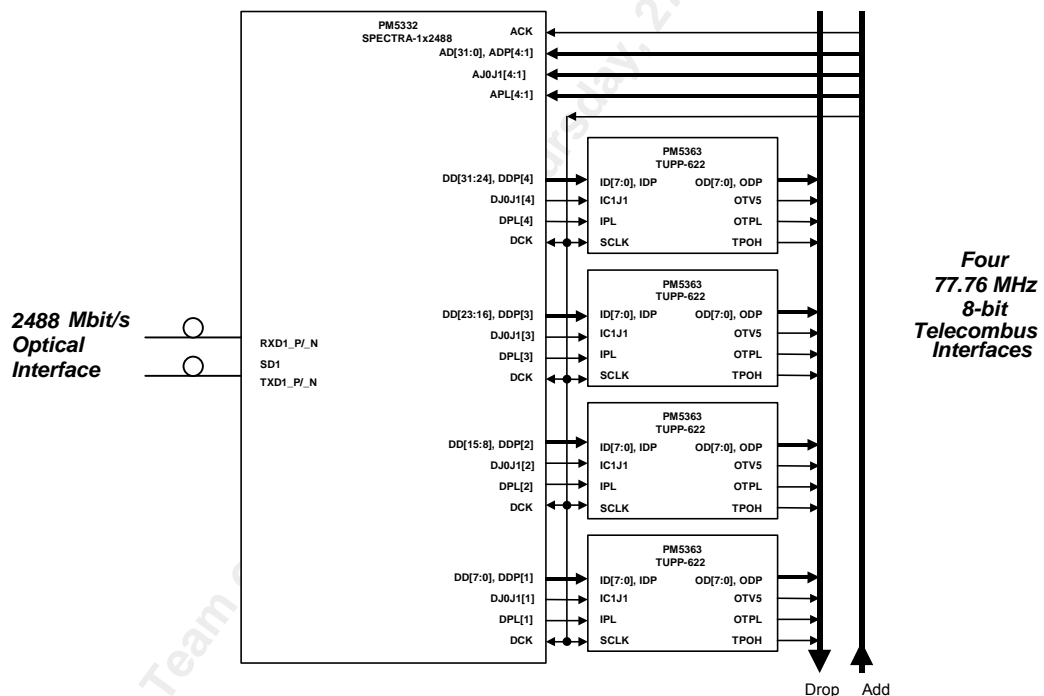
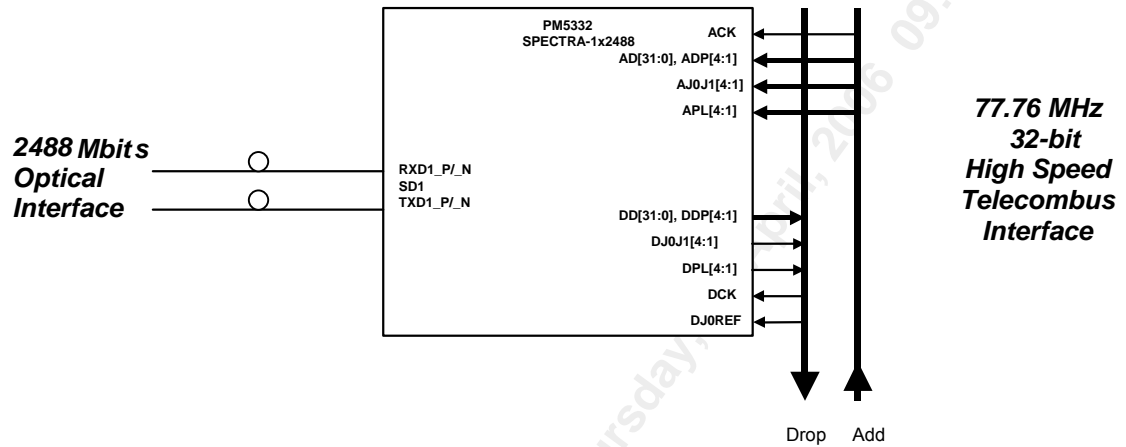


Figure 2 shows how the SPECTRA 1x2488 is used to implement a 2488 Mbit/s aggregate interface using a single 77.76 MHz 32-bit TelecomBus on the system side interface. In this application, the SPECTRA 1x2488 performs SONET/SDH section, line, and path termination.

Figure 2 STS-48/STM-16 Application with 77.76 MHz 32-Bit TelecomBus Interface



6 Block Diagrams

Figure 3 Block Diagram for Single STS-48/STM-16 Mode

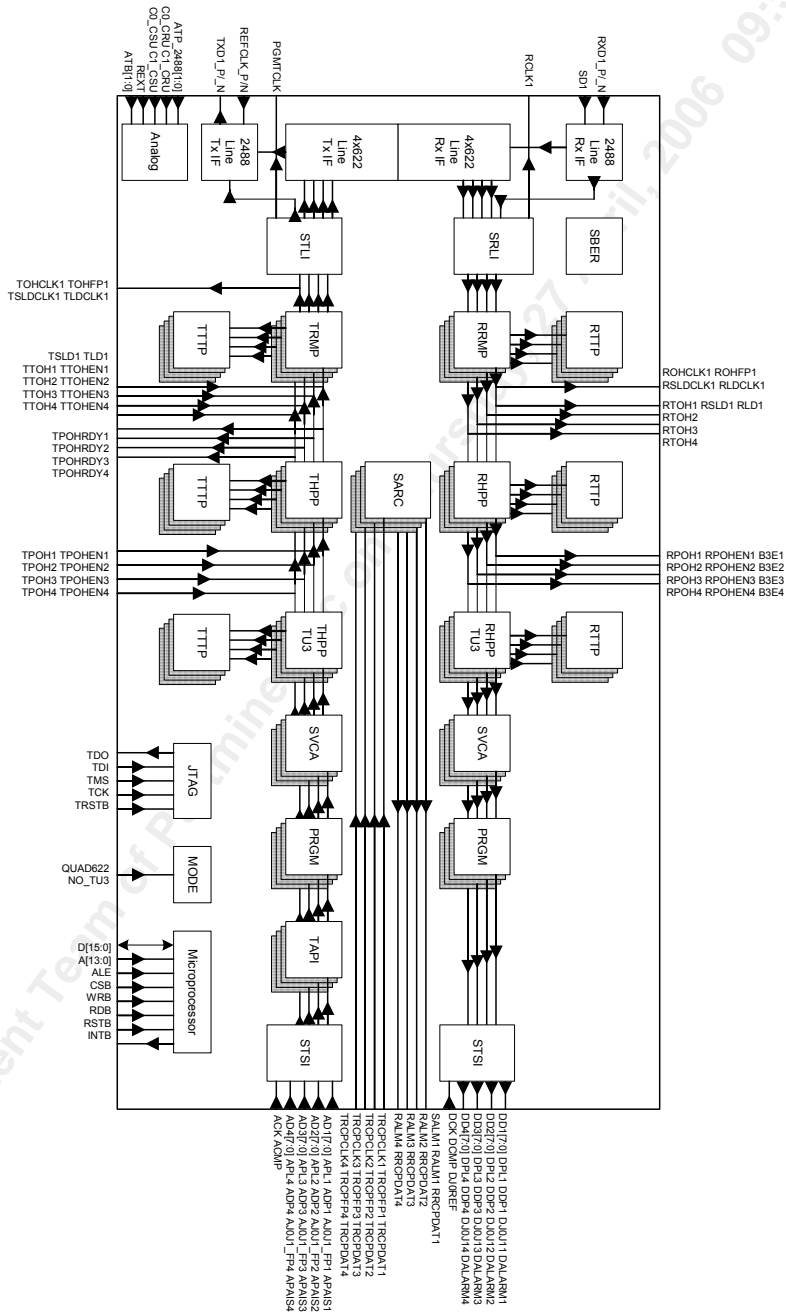
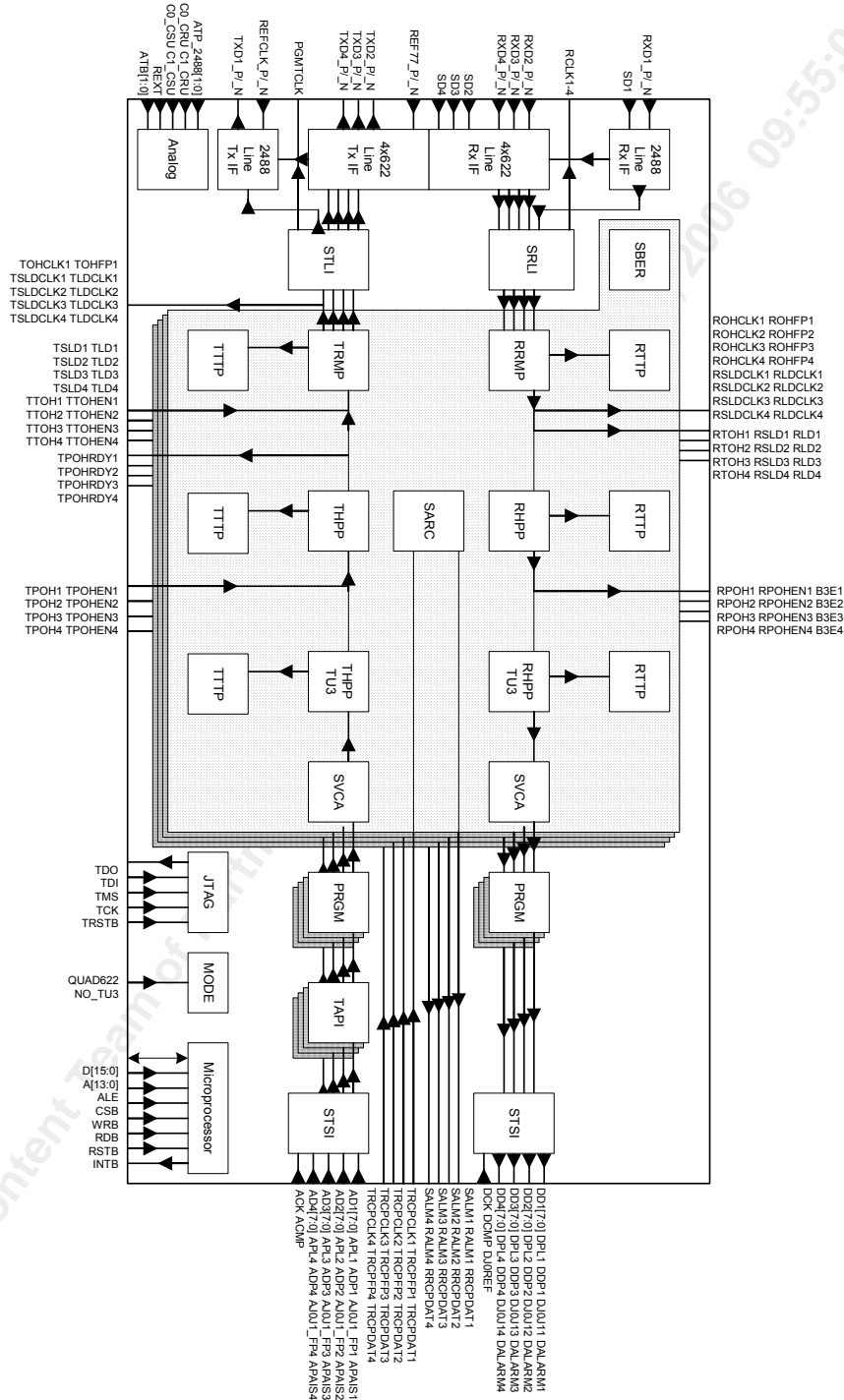


Figure 4 Block Diagram for Quad STS-12/STM-4 Mode



7 Description

The PM5332 SONET/SDH Payload Extractor/Aligner (SPECTRA 1x2488) terminates the transport and path overhead of a single STS-48 (STM-16/AU4-12c/AU4-8c/AU4-4c /AU4/AU3/TU3), a single STS-48c (STM-16/AU4-16c), a quad STS-12 (STM-4/AU4/AU3/ TU3), or a quad STS-12c (STM-4-4c) data stream at 2488 Mbit/s. The SPECTRA 1x2488 implements significant functions for a SONET/SDH compliant line interface. The following subsections outline the SPECTRA 1x2488's features and functions in each of its operational modes.

In single STS-48/STM-16 mode, the SPECTRA 1x2488 receives SONET/SDH frames via a single bit serial differential PECL interface at 2488.32 MHz. In quad STS-12/STM-4 mode, the SPECTRA 1x2488 receives SONET/SDH frames via four single bit serial differential PECL interface at 622.08 MHz.

The SPECTRA 1x2488 terminates the SONET section, line, and path or the SDH regenerator section, multiplexer section, and high order path overhead. It performs framing (A1, A2) and descrambling, detects section and line alarm conditions, and monitors section and line bit interleaved parity (BIP) (B1, B2), accumulating error counts at each level for performance monitoring purposes. B2 errors are also monitored to detect signal fail and signal degrade threshold crossing alarms. Line remote error indications (M1) are also accumulated. A 16 or 64-byte section trace (J0) message may be buffered and compared against an expected message. In addition, the SPECTRA 1x2488 interprets the received payload pointers (H1, H2), detects path alarm conditions, detects and accumulates path BIPs (B3), monitors, accumulates path Remote Error Indications (REIs), accumulates and compares the 16 or 64-byte path trace (J1) message against an expected result, and extracts the synchronous payload envelope (virtual container). All transport and path overhead bytes are extracted and serialized on lower rate interfaces, allowing additional external processing of overhead, if required.

The extracted SPE (VC) is placed on a 32-bit DROP TelecomBus at 77.76 MHz. For TelecomBus applications, frequency offsets (due to plesiochronous network boundaries or the loss of a primary reference timing source) and phase differences (due to normal network operation) between the received data stream and the DROP bus are accommodated by pointer adjustments in the DROP bus.

In STS-48/STM-16 mode, the SPECTRA 1x2488 transmits SONET/SDH frames via a single bit serial differential PECL interface at 2488.32 MHz. In quad STS-12/STM-4 mode, the SPECTRA 1x2488 transmits SONET/SDH frames via four single bit serial differential PECL interfaces at 622.08 MHz.

The SPECTRA 1x2488 formats the SONET section, line, and path or the SDH regenerator section, multiplexer section, and high order path overhead. It performs framing pattern insertion (A1, A2), scrambling, section and line alarm insertion, and section and line BIPs (B1, B2) calculation as required for performance monitoring at the far end. Line remote error indications (M1) are optionally inserted. A 16 or 64-byte section trace (J0) message may be inserted.

In addition, the SPECTRA 1x2488 generates the transmit payload pointers (H1, H2), creates and inserts the path BIPs (B3), optionally inserts a 16 or 64-byte path trace (J1) message, optionally inserts the path status byte (G1). In addition to its basic processing of the transmit SONET/SDH overhead, the SPECTRA 1x2488 provides access to all overhead bytes, which are inserted serially on lower rate interfaces. This allows the additional external sourcing of overhead if required. The SPECTRA 1x2488 also supports the insertion of a large variety of errors into the transmit stream such as framing pattern errors, pointer errors, and BIP errors. These errors are useful for system diagnostics and tester applications.

The inserted SPE (VC) is sourced from a 32-bit ADD TelecomBus at 77.76 MHz. For TelecomBus applications, frequency offsets (due to plesiochronous network boundaries, or the loss of a primary reference timing source) and phase differences (due to normal network operation) between the transmit data stream and the ADD bus are accommodated by pointer adjustments in the transmit data stream.

The SPECTRA 1x2488 supports Time-Slot Interchange (TSI) on the ADD and DROP TelecomBuses. On the DROP side, the TSI views the receive stream as twelve independent time-division multiplexed columns of data per byte lane (i.e. twelve constituent STS-1's (STM-0) or equivalent streams, time-slots, or columns). Any column can connect to any time-slot on the DROP bus. Column swapping and broadcast are both supported. Time-Slot Interchange is independent of the underlying payload mapping formats. Similarly, on the ADD side, data from the ADD bus is treated as twelve independent time-division multiplexed columns per byte lane. Assignment of data columns to transmit time-slots (STS-1 (STM-0) or equivalent streams) is arbitrary.

The transmitter and receiver are independently configurable to allow for asymmetric interfaces. Ring control ports are provided to pass control and status information between mate transceivers. The SPECTRA 1x2488 is configured, controlled, and monitored using a generic 16-bit microprocessor bus interface.

The SPECTRA 1x2488 is implemented in low power 1.8 Volt CMOS core logic with 3.3 Volt CMOS/TTL compatible digital inputs and digital outputs. It has pseudo ECL (PECL) compatible line side inputs and outputs and is packaged in a 500-pin UBGA package.

8 Pin Diagram

The SPECTRA 1x2488 is packaged in a 500-pin UBGA.

Figure 7 Left Side Pin Diagram

Date: Apr 22 15:35:00 2002	30	29	28	27	26	25	24	23	22	21	20	19	18	17	16
A	VSS	VSS	VDDO	DD1[1]	DD1[6]	VSS	AD1[0]	AD1[4]	AD1[7]	VSS	RSLDC LK1	RLDCL K3	VSS	RSLD4	VSS
B	VSS	VSS	VDDO	APAIS2	DD1[2]	DD1[7]	DDP1	AD1[1]	AD1[6]	APAIS1	RSLD1	RLDCL K2	RSLD3	RLDCL K4	RTOH4
C	VDDO	VDDO	VDDO	VSS	ADP2	DD1[3]	DPL1	VDDO	AD1[5]	AJ0J1_ FP1	RLD1	VDDO	RLD3	RLD4	RPOH4
D	TDI	VSS	VSS	VDDO	VSS	VDDI	DD1[4]	DJ0J11	AD1[2]	VDDI	ADP1	RLD2	RSLDC LK2	VDDI	RSLDC LK4
E	AJ0J1_ FP2	TDO	TCK	VSS	VDDO	VSS	DD1[0]	DD1[5]	DALAR M1	AD1[3]	APL1	RLDCL K1	RSLD2	RSLDC LK3	RPOHE N4
F	VSS	APL2	TRSTB	VDDI	VSS										
G	AD2[3]	AD2[4]	AD2[7]	QUAD62 2	TMS										
H	DDP2	AD2[2]	VDDO	AD2[6]	NO_TU3										
J	DPL2	DJ0J12	DALAR M2	AD2[1]	AD2[5]										
K	VSS	DD2[5]	DD2[6]	VDDI	AD2[0]										
L	DD2[0]	DD2[1]	DD2[3]	DD2[4]	DD2[7]										
M	AD3[6]	APAIS3	VDDO	ADP3	DD2[2]										
N	VSS	AD3[5]	AD3[7]	APL3	AJ0J1_ FP3										
P	AD3[1]	AD3[2]	AD3[3]	VDDI	AD3[4]										
R	VSS	DCK	ACMP	AD3[0]	ACK										
T	VSS	DCMP	DJ0REF	DALAR M3	DDP3										
U	DJ0J13	DPL3	DD3[7]	VDDI	DD3[6]										
V	VSS	DD3[5]	DD3[3]	DD3[2]	DD3[1]										
W	DD3[4]	DD3[0]	VDDO	TSLDCL K1	TLD1										
Y	TSLD1	TLDCLK 1	TSLDCL K2	TSLD2	TSLDCL K3										
AA	VSS	TLDCLK 2	TLD2	VDDI	TSLD4										
AB	TSLD3	TLDCLK 3	TLD3	TLDCLK 4	AJ0J1_ FP4										
AC	TSLDCL K4	TLD4	VDDO	APL4	AD4[4]										
AD	ADP4	APAIS4	AD4[7]	AD4[3]	DDP4										
AE	VSS	AD4[6]	AD4[2]	VDDI	VSS										
AF	AD4[5]	AD4[1]	DALAR M4	VSS	VDDO	VSS	DD4[7]	DD4[2]	TTOH1	TOHCL K2	TPOHR DY2	TTOHEN 3	TOHFP4	TPOHE N4	RRCPD AT3
AG	AD4[0]	DJ0J14	VSS	VDDO	VSS	VDDI	DD4[3]	TOHFP1	TPOHE N1	VDDI	TOHFP3	TPOHE N3	TTOH4	VDDI	RALM2
AH	VDDO	VDDO	VDDO	VSS	DPL4	DD4[4]	TOHCL K1	VDDO	TTOH2	TPOHE N2	TTOH3	VDDO	TTOHEN 4	RRCPD AT1	RALM3
AJ	VSS	VSS	VDDO	VSS	DD4[5]	DD4[0]	TTOHEN 1	TPOHR DY1	TTOHEN 2	TOHCL K3	TPOH3	TOHCL K4	TPOHR DY4	RALM1	RRCPD AT4
AK	VSS	VSS	VDDO	DD4[6]	DD4[1]	VSS	TPOH1	TOHFP2	TPOH2	VSS	TPOHR DY3	TPOH4	VSS	RRCPD AT2	VSS
	30	29	28	27	26	25	24	23	22	21	20	19	18	17	16

Figure 8 Right Side Pin Diagram

15	14	13	12	11	10	9	8	7	6	5	4	3	2	1	Date: Apr 22 15:35:00 2002	
VSS	RTOH3	VSS	RTOH2	ROHFP 1	VSS	TRCPD AT2	TRCPC LK2	TRCPC LK1	VSS	RCLK4	SD1	VDDO	VSS	VSS	A	
ROHFP 4	ROHFP 3	RPOH2	RPOH1	ROHCL K1	TRCPD AT3	TRCPF P2	TRCPF P1	SALM4	SALM1	RCLK1	SD4	VDDO	VSS	VSS	B	
ROHCL K4	ROHCL K3	ROHFP 2	VDDO	TRCPF P4	TRCPF P3	VDDI_J AT4	VDDO	VDDI_J AT2	SD_TES T	SD3	CSUCL KO	VDDO	VDDO	VDDO	C	
RPOH3	VDDI	ROHCL K2	RTOH1	TRCPC LK4	VDDI	TRCPD AT1	SALM2	RCLK2	VDDI	VSS	VDDO	VSS	VSS	VSS	D	
RPOHE N3	RPOHE N2	RPOHE N1	TRCPD AT4	TRCPC LK3	VDDI_J AT3	SALM3	RCLK3	SD2	VSS	VDDO	QAVD	AVDL	ATB[0]	ATB[1]	E	
											AVDL	VSS	VDDI	VSS	VSS	F
											AVDH	VSS	VSS	REF77_ N	REF77_ P	G
											AVDL	VDDI	VSS	VSS	VSS	H
											AVDL	REXT	VSS	TXD4_P	TXD4_N	J
											RXD4_N	RXD4_P	VSS	VSS	VSS	K
											AVDL	VSS	VDDI	TXD3_P	TXD3_N	L
											RXD3_N	RXD3_P	VSS	VSS	VSS	M
											AVDL	VSS	VSS	TXD2_P	TXD2_N	N
											RXD2_N	RXD2_P	VDDI	VSS	VSS	P
											AVDL	VSS	VSS	LC_OUT P	LC_OUT N	R
											LC_AVD L	AVDL	VSS	VSS	VSS	T
											AVDH	QAVD	VSS	REFCL K_N	REFCL K_P	U
											AVDH	VDDI_A	VSS	VSS	VSS	V
											CO_CSU	C1_CSU	VSS	VSS	TXD1_P	W
											AVDH	VSS	VSS	VSS	TXD1_N	Y
											AVDH	VDDI_A	VSS	VSS	VSS	AA
											ATP_24 88[0]	ATP_24 88[1]	VSS	RXD1_P	RXD1_N	AB
											AVDH	VDDI_A	VSS	VSS	VSS	AC
											QAVD	AVDH	VSS	C1_CR U	CO_CR U	AD
											VDDI_A	VSS	VDDI_A	VSS	VSS	AE
B3E2	D[13]	D[8]	D[3]	A[12]	A[7]	A[2]	ALE	PGMTC LK	VSS	VDDO	VSS	VSS	VSS	VSS	AF	
B3E3	VDDI	D[9]	D[6]	D[1]	VDDI	A[6]	VDDI_J AT1	RDB	VDDI	VSS	VDDO	VSS	VSS	VSS	AG	
B3E1	D[14]	D[10]	VDDO	D[2]	A[13]	A[9]	VDDO	A[1]	WRB	VSS	VSS	VDDO	VDDO	VDDO	AH	
RALM4	D[15]	D[12]	D[7]	D[4]	D[0]	A[10]	A[5]	A[3]	A[0]	RSTB	CRUCL KO	VDDO	VSS	VSS	AJ	
VSS	B3E4	VSS	D[11]	D[5]	VSS	A[11]	A[8]	A[4]	VSS	CSB	INTB	VDDO	VSS	VSS	AK	
15	14	13	12	11	10	9	8	7	6	5	4	3	2	1	Date: Apr 09 11:50:56 2002	

Downloaded by

9 Pin Description (500-pin UBGA)

9.1 Configuration Pin Signals

Pin Name	Type	Pin No.	Function
NO_TU3	CMOS/TTL compatible Input	H26	The NO TU3 Mode Select (NO_TU3) signal selects between the NO TU3 support mode and the TU3 support mode. When NO_TU3 is high, the device bypasses the TU3 path termination logic to save power. When NO_TU3 is low, the device can be configured to support TU3 mode.
QUAD622	CMOS/TTL compatible Input	G27	The Quad 622 Mbit/s Mode Select (QUAD622) signal selects between the single STS-48/STM-16 mode and the quad STS-12/STM-4 mode. When QUAD622 is low, the device is in single STS-48/STM-16 mode. When QUAD622 is high, the device is in quad STS-12/STM-4 mode.

9.2 STS-48/STM-16 and Quad STS-12/STM-4 Line Side Interface Signals

Pin Name	Type	Pin No.	Function
REFCLK_P REFCLK_N	Differential PECL compatible Input	U1 U2	<p>The differential Reference Clock inputs (REFCLK_P/REFCLK_N) provide a jitter-free 155.52 MHz reference clock for both the clock recovery and the clock synthesis circuits in STS-48 mode. The two PECL inputs are internally terminated with differential 100-Ω termination. These must be externally AC coupled with 0.1 μF capacitor.</p> <p>Jitter on REFCLK_P/REFCLK_N inputs must be less than 1 psec RMS in a 12KHz to 20MHz band for the device to comply with the Bellcore GR-253 intrinsic jitter specification for transmit data outputs. REFCLK_P/N should be AC coupled PECL signals.</p> <p>Note: Jitter on REFCLK_P / REFCLK_N up to about 20 MHz will affect jitter on the transmit data output.</p> <p>Please refer to the Operation section for a discussion of PECL interfacing issues.</p>
REF77_P REF77_N	Differential PECL compatible Input	G1 G2	<p>The Reference Clock 77.76/155.52 MHz input (REF77_P/N) provides a jitter-free 77.76/155.52 MHz reference clock for both the clock recovery and the clock synthesis circuits in 4xOC12 mode. The two PECL inputs are internally terminated with differential 100-Ω termination. The REF77_P/N should be at 3.3V DC coupled PECL levels.</p> <p>Jitter on REF77_P/N inputs must be less than 4 psec RMS in a 12 KHz to 5 MHz band for the device to comply with the Bellcore GR-253 intrinsic jitter specification for transmit data outputs.</p> <p>Note: The REF77 clock rate can be either 77.76MHz or 155.52 MHz. The REF_MODE and IREF_MODE bit in register 0x0030 configure the device for the appropriate clock rate in quad STS-12/STM-4 mode.</p> <p>Please refer to the Operation section for a discussion of PECL interfacing issues.</p>

Pin Name	Type	Pin No.	Function
SD1 SD2 SD3 SD4	CMOS/TTL compatible Schmidt Input	A4 E7 C5 B4	<p>The Receive Signal Detect CMOS/TTL compatible input (SD1-4) indicates the presence of valid receive signal power from the Optical Physical Medium Dependent Device. A logic 1 indicates the presence of signal. A logic 0 indicates a loss of signal.</p> <p>In STS-48/STM-16 mode, only SD1 is used. SD2-4 are ignored. Unless SD1 detection is disabled, deassertion of SD1 will cause the 2488 CRU to go into training mode where it locks to REFCLK_P/REFCLK_N.</p> <p>Note: The SD input polarity can be inverted to indicate LOS with the INV_SDI_EN bit enabled. The STS-48/STM-16 mode register is 0023H and quad STS12/STM-4 mode registers are 0036H, 0436H, 0836H and 0C36H.</p> <p>Please refer to the Operation section for a discussion of interfacing issues</p>
RXD1_P RXD1_N RXD2_P RXD2_N RXD3_P RXD3_N RXD4_P RXD4_N	Differential PECL compatible Input	AB2 AB1 P4 P5 M4 M5 K4 K5	<p>The Receive Differential Data PECL-compatible inputs (RXD1-4_P/ RXD1-4_N) contain the 4x622.08 Mbit/s NRZ bit serial receive stream in quad STS-12/STM4 mode. In STS-48/STM-16 mode, RXD1_P/RXD1_N contains the 2488.32 Mbit/s NRZ bit serial receive stream.</p> <p>Note: The RXD[1-4]_P/N input polarity can be inverted with the RX_INV_DATA_EN bit enabled. The STS-48/STM-16 mode register is 0023H and quad STS12/STM-4 mode registers are 0036H, 0436H, 0836H and 0C36H.</p> <p>The receive inputs are internally terminated with differential 100-Ω termination.</p> <p>The receive clocks are recovered from the RXD1-4_P/ RXD1-4_N bit stream. They must be externally AC coupled with 0.1 μF capacitor.</p> <p>Please refer to the Operation section for a discussion of PECL interfacing issues.</p>
TXD1_P TXD1_N TXD2_P TXD2_N TXD3_P TXD3_N TXD4_P TXD4_N	Differential PECL-compatible Output	W1 Y1 N2 N1 L2 L1 J2 J1	<p>The Transmit Differential Data PECL-compatible outputs (TXD1-4_P/ TXD1-4_N) contain the 4x622.08 Mbit/s transmit streams in 4xSTS12/STM-4 mode. In STS-48/STM-16 mode, TXD1_P/TXD1_N contains the 2488.32 Mbit/s NRZ bit serial receive stream. These must be externally AC coupled with 0.1 μF capacitor.</p> <p>Note: The TXD[1-4]_P/N input polarity can be inverted with the TX_INV_DATA_EN bit enabled. The STS-48/STM-16 mode register is 1020H and quad STS12/STM-4 mode registers are 1060H, 1460H, 1860H and 1C60H.</p> <p>The TXD1-4_P/ TXD1-4_N outputs are driven using the synthesized clock from the CSU.</p> <p>These signals are compatible with PECL as long as the interfacing recommendations stated in this document are followed. Please refer to the Operation section for a discussion of PECL interfacing issues.</p>

9.3 Receive and Transmit Reference (Single and Quad Mode)

Pin Name	Type	Pin No.	Function
RCLK1 RCLK2 RCLK3 RCLK4	CMOS/TTL compatible Output	B5 D7 E8 A5	<p>The Receive Clock (RCLK1–4) signal provides a timing reference for the receive interface.</p> <p>In STS-48/STM-16 mode, RCLK1 is a nominal 77.76 MHz 50 % duty cycle clock. RCLK1 is a buffered version of the internal recovered clock divided by two. RCLK2–4 are not defined.</p> <p>In quad STS-12/STM-4 mode, RCLK1–4 are nominal 77.76 MHz 50 % duty cycle clocks. RCLK1–4 are buffered versions of internal recovered clocks.</p> <p>The output for RCLK1–4 can be disabled and held low by programming the RCLKEN1–4 bit in the SRLI 0040H register.</p> <p>The output for RCLK1–4 can also be forced low when certain conditions are detected by programming the 0x0004H – 0x0006H registers.</p> <p>RCLK1-2 can be selected to output recovered clocks from any of the four channels in Quad 622 mode by programming RCLK_SEL1-2[1:0] bits of 0003H register.</p>
PGMTCLK	CMOS/TTL compatible Output	AF7	<p>The Programmable Transmit Clock (PGMTCLK) signal provides a timing reference for the transmit line interface.</p> <p>In single STS-48 mode, PGMTCLK is a divided version of the internal transmit clock. When the PGMTCLKSEL bit in the STLI 1041H register is set low, PGMTCLK is a nominal 19.44 MHz, 50% duty cycle clock. When the PGMTCLKSEL bit is set high, PGMTCLK is a nominal 8 KHz, 50% duty cycle clock.</p> <p>In quad STS-12 mode, PGMTCLK is a divided version of one of the internal transmit clocks. The PGMTCLKSRC[1:0] bits in the STLI 0041H register are used to select which of the four clocks is muxed onto PRGMTCLK. When the PGMTCLKSEL register bit is set low, PGMTCLK is a nominal 19.44 MHz, 50% duty cycle clock. When the PGMTCLKSEL register bit is set high, PGMTCLK is a nominal 8 KHz, 50% duty cycle clock.</p> <p>PGMTCLK can be disabled and held low by programming the PGMTCLKEN bit in the STLI 1041H register.</p>

9.4 Section/Line/Path Status and Alarms Signals (Single and Quad Mode)

Pin Name	Type	Pin No.	Function
RRCPCDAT1 RRCPCDAT2 RRCPCDAT3 RRCPCDAT4	CMOS/TTL compatible Output	AH17 AK17 AF16 AJ16	<p>The Receive Ring Control Port Data (RRCPCDAT1-4) signal contains the receive ring control port data stream.</p> <p>The receive ring control port data contains the section, line, and path alarms and status including: Out Of Frame Indication, Loss Of Frame indication, Loss Of Signal indication, line AIS indication, line RDI indication, APS byte failure indication, section TIU/TIM indication, signal degrade/fail indication, K1/K2 byte insertion, line REI insertion, line RDI insertion, path LOP indication, path AIS indication, path PLU/PLM indication, path UNEQ indication, path PDI indication, path RDI indication, path ERDI indication, path TIU/TIM indication, path REI insertion, and path ERDI insertion.</p> <p>RRCPCDAT1-4 can be connected directly to the TRCPDAT1-4 input of a mate SPECTRA 1x2488 in ring-based add-drop multiplexer applications.</p> <p>RRCPCDAT1-4 is updated on the falling edge of ROHCLK1-4.</p>
TRCPCLK1 TRCPCLK2 TRCPCLK3 TRCPCLK4	CMOS/TTL compatible Schmidt Input	A7 A8 E11 D11	<p>The Transmit Ring Control Port Clock (TRCPCLK1-4) signal provides timing for the transmit ring control port.</p> <p>TRCPCLK1-4 is a nominal 20.736 MHz clock, 33% high duty cycle and can be connected directly to the ROHCLK1-4 output of a mate SPECTRA 1x2488 in ring-based add-drop multiplexer applications.</p> <p>TRCPCLK1-4 is a Schmidt triggered input.</p> <p>TRCPFP1-4 and TRCPDAT1-4 are sampled on the rising edge of TRCPCLK1-4.</p>
TRCPFP1 TRCPFP2 TRCPFP3 TRCPFP4	CMOS/TTL compatible Input	B8 B9 C10 C11	<p>The Transmit Ring Control Port Frame Pulse (TRCPFP1-4) signal identifies bit positions in the transmit ring control port data (TRCPDAT1-4).</p> <p>TRCPFP1-4 is high to indicate the Out Of Frame indication in the TRCPDAT1-4 data stream.</p> <p>TRCPFP1-4 can be connected directly to the ROHFP1-4 output of a mate SPECTRA 1x2488 in ring-based add-drop multiplexer applications.</p> <p>TRCPFP1-4 is sampled on the rising edge of TRCPCLK1-4.</p>
TRCPDAT1 TRCPDAT2 TRCPDAT3 TRCPDAT4	CMOS/TTL compatible Input	D9 A9 B10 E12	<p>The Transmit Ring Control Port Data (TRCPDAT1-4) signal contains the transmit ring control port data stream.</p> <p>The transmit ring control port data consists of all the section, line and path alarms insertion: the K1/K2 bytes insertion, the line REI insertion, the line RDI insertion, the path REI insertion and the path ERDI insertion.</p> <p>TRCPDAT1-4 can be connected directly to the RRCPCDAT1-4 output of a mate SPECTRA 1x2488 in ring-based add-drop multiplexer applications.</p> <p>TRCPDAT1-4 is sampled on the rising edge of TRCPCLK1-4.</p>

Pin Name	Type	Pin No.	Function
SALM1 SALM2 SALM3 SALM4	CMOS/TTL compatible Output	B6 D8 E9 B7	<p>The Section Alarm (SALM1-4) signal is set high when an out of frame (OOF), loss of signal (LOS), loss of frame (LOF), line alarm indication signal (AIS-L), line remote defect indication (RDI-L), APS byte failure, section trace identifier mismatch (TIM-S), section trace identifier unstable (TIU-S), signal fail (SF), or signal degrade (SD) alarm is detected.</p> <p>Each alarm indication can be independently enabled using bits in the SARC RSALM registers.</p> <p>SALM1-4 is set low when none of the enabled alarms are active.</p> <p>SALM1-4 is updated on the rising edge of ROHCLK1-4.</p>
SD_TEST	CMOS/TTL compatible Schmidt Input	C6	The SD TEST (SD_TEST) is used for PMC-Sierra production test purposes only. It must be connected to ground during the normal mode of operation.
CSUCLKO	CMOS/TTL compatible Tristate Output	C4	The T-CSU Output Clock (CSUCLKO) is used for PMC-Sierra test purposes only. It must be left as a no-connect (NC) during the normal mode of operation.
CRUCLKO	CMOS/TTL compatible Tristate Output	AJ4	The CRU Output Clock (CRUCLKO) is used for PMC-Sierra test purposes only. It must be left as a no-connect (NC) during the normal mode of operation.
RALM1 RALM2 RALM3 RALM4	CMOS/TTL compatible Output	AJ17 AG16 AH16 AJ15	<p>The Receive Alarm (RALM1-4) signal is a multiplexed output of individual alarms of the receive paths. RALM1-4 signal is set high for the corresponding path when a section alarm, path loss of pointer (LOP-P), path alarm indication signal (AIS-P), path remote defect indication (RDI-P), path enhance remote defect indication (ERDI-P), path label mismatch (PLM), path label unstable (PLU), path unequipped (UNEQ), path payload defect indication (PDI-P), path trace identifier mismatch (TIM-P), or path trace identifier unstable (TIU-P) alarm is detected.</p> <p>Each alarm indication can be independently enabled using bits in the SARC RPALM registers.</p> <p>RALM1-4 is set low when none of the enabled alarms are active.</p> <p>RALM1-4 is updated on the falling edge of ROHCLK1-4.</p>

9.5 Receive Section/Line/Path Overhead Extraction Signals (Single and Quad Mode)

Pin Name	Type	Pin No.	Function
ROHCLK1 ROHCLK2 ROHCLK3 ROHCLK4	CMOS/TTL compatible Output	B11 D13 C14 C15	<p>The Receive Overhead Clock (ROHCLK1-4) signal provides timing for the receive section, line, and path overhead extraction and the receive ring control port.</p> <p>In STS-48/STM-16 mode, ROHCLK1 is a nominal 20.736 MHz clock generated by gapping a 25.92 MHz clock. ROHCLK1 has a 33% high duty cycle. ROHCLK2-4 are not defined.</p> <p>In quad STS-12/STM-4 mode, ROHCLK1-4 is a nominal 20.736 MHz clock generated by gapping a 25.92 MHz clock. ROHCLK1-4 has a 33% high duty cycle.</p> <p>ROHFP1-4, RTOH1-4, RPOH1-4, RPOHEN1-4, B3E1-4 and RRCPDAT1-4 are updated on the falling edge of ROHCLK1-4.</p>
ROHFP1 ROHFP2 ROHFP3 ROHFP4	CMOS/TTL compatible Output	A11 C13 B14 B15	<p>The Receive Overhead Frame Pulse (ROHFP1-4) signal provides timing for the receive section, line and path overhead extraction.</p> <p>In STS-48/STM-16 mode, ROHFP1 is used to indicate the most significant bit (MSB) on RRCPDAT1-4, RSLD1, RLD1, RTOH1-4 and RPOH1-4 as well as the first possible path BIP error on B3E1-4. ROHFP2-4, RSLD2-4 and RLD2-4 are not defined.</p> <p>In quad STS-12/STM-4 mode, ROHFP1-4 is used to indicate the most significant bit (MSB) on RSLD1-4, RLD1-4, RTOH1-4, and RPOH1-4 as well as the first possible path BIP error on B3E1-4.</p> <p>ROHFP1-4 is set high when the MSB of the: D1 or D4 byte is present on RSLD. D4 byte is present on RLD. First A1 byte is present on RTOH. First J1 byte is present on RPOH.</p> <p>ROHFP1-4 can be sampled on the rising edge of RSLDCLK1-4, RLDCLK1-4, and ROHCLK1-4.</p> <p>ROHFP1-4 is updated on the falling edge of ROHCLK1-4.</p>
RTOH1 RTOH2 RTOH3 RTOH4	CMOS/TTL compatible Output	D12 A12 A14 B16	<p>The Receive Transport Overhead (RTOH1-4) signal contains the received transport overhead bytes (A1, A2, J0, Z0, B1, E1, F1, D1-D3, H1-H3, B2, K1, K2, D4-D12, Z1/S1, Z2/M1, and E2) extracted from the incoming stream.</p> <p>RTOH1-4 is updated on the falling edge of ROHCLK1-4.</p>
RPOH1 RPOH2 RPOH3 RPOH4	CMOS/TTL compatible Output	B12 B13 D15 C16	<p>The Receive Path Overhead (RPOH1-4) signal contains the received path overhead bytes (J1, B3, C2, G1, F2, H4, Z3, Z4, and Z5) extracted from the STS-48c/ STS-12c/STS-3c/STS-1 SONET path overhead or the AU4-16c/ AU4-4c/AU4/AU3/TU3 SDH path overhead.</p> <p>The RPOHEN1-4 signal is set high to indicate valid path overhead bytes on RPOH1-4.</p> <p>RPOH1-4 is updated on the falling edge of ROHCLK1-4.</p>

Pin Name	Type	Pin No.	Function
RPOHEN1 RPOHEN2 RPOHEN3 RPOHEN4	CMOS/TTL compatible Output	E13 E14 E15 E16	The Receive Path Overhead Enable (RPOHEN1-4) signal indicates valid path overhead bytes on RPOH1-4. When the RPOHEN1-4 signal is set high, the corresponding path overhead byte presented on RPOH1-4 is valid. When RPOHEN1-4 is set low, the corresponding path overhead byte presented on RPOH1-4 is invalid. RPOHEN1-4 is updated on the falling edge of ROHCLK1-4.

9.6 Transmit Section/Line/Path Overhead Insertion Signals (Single and Quad Mode)

Pin Name	Type	Pin No.	Function
TOHCLK1 TOHCLK2 TOHCLK3 TOHCLK4	CMOS/TTL compatible Output	AH24 AF21 AJ21 AJ19	The Transmit Overhead Clock (TOHCLK1-4) signal provides timing for the transmit section, line, and path overhead insertion. In STS-48/STM-16 mode, TOHCLK1 is a nominal 20.736 MHz clock generated by gapping a 25.92 MHz clock. TOHCLK1 has a 33% high duty cycle. TOHCLK2-4 are not defined. In quad STS-12/STM-4 mode, TOHCLK1-4 is a nominal 20.736 MHz clock generated by gapping a 25.92 MHz clock. TOHCLK1-4 has a 33% high duty cycle. TOHFP1-4 and TPOHRDY1-4 are updated on the falling edge of TOHCLK1-4. TTOH1-4, TTOHEN1-4, TPOH1-4, and TPOHEN1-4 are sampled on the rising edge of TOHCLK1-4.
TOHFP1 TOHFP2 TOHFP3 TOHFP4	CMOS/TTL compatible Output	AG23 AK23 AG20 AF18	The Transmit Overhead Frame Pulse (TOHFP1-4) signal provides timing for the transmit section, line, and path overhead insertion. In STS-48/STM-16 mode, TOHFP1 is used to indicate the most significant bit (MSB) on TSLD1, TLD1, TTOH1-4, and TPOH1-4. TOHFP2-4, TSLD2-4 and TLD2-4 are not defined. In quad STS-12/STM-4 mode, TOHFP1-4 is used to indicate the most significant bit (MSB) on TSLD1-4, TLD1-4, TTOH1-4, and TPOH1-4. TOHFP1-4 is set high when the MSB of the: D1 or D4 byte should be present on TSLD. D4 byte should be present on TLD. First A1 byte should be present on TTOH. First J1 byte should be present on TPOH TOHFP1-4 can be sampled on the rising edge of TSLDCLK1-4, TLDCLK1-4, and TOHCLK1-4. TOHFP1-4 is updated on the falling edge of TOHCLK1-4.
TTOH1 TTOH2 TTOH3 TTOH4	CMOS/TTL compatible Input	AF22 AH22 AH20 AG18	The Transmit Transport Overhead (TTOH1-4) signal contains the transport overhead bytes (A1, A2, J0, Z0, B1, E1, F1, D1-D3, H1-H3, B2, K1, K2, D4-D12, Z1/S1, Z2/M1, and E2) to be transmitted and the error masks to be applied on the B1, B2, H1, and H2 bytes. TTOH1-4 is sampled on the rising edge of TOHCLK1-4.

Pin Name	Type	Pin No.	Function
TTOHEN1 TTOHEN2 TTOHEN3 TTOHEN4	CMOS/TTL compatible Input	AJ24 AJ22 AF19 AH18	<p>The Transmit Transport Overhead Insert Enable (TTOHEN1-4) signal controls the insertion of the transmit transport overhead data that is inserted in the outgoing stream.</p> <p>When TTOHEN1-4 is high during the most significant bit of a TOH byte on TTOH1-4, the sampled TOH byte is inserted into the corresponding transport overhead byte positions (A1, A2, J0, Z0, E1, F1, D1-D3, H3, K1, K2, D4-D12, Z1/S1, Z2/M1, and E2 bytes). When TTOHEN1-4 is low during the most significant bit of a TOH byte on TTOH1-4, the sampled byte is ignored and the default values are inserted into the transport overhead bytes.</p> <p>When TTOHEN1-4 is high during the most significant bit of the H1, H2, B1, or B2 TOH byte positions on TTOH1-4, the sampled TOH byte is logically XORed with the associated incoming byte to force bit errors on the outgoing byte. A logic 0 bit in the TTOH1-4 byte allows the incoming bit to go through while a bit set to logic 1 will toggle the incoming bit. A low level on TTOHEN1-4 during the MSB of the TOH byte disables the error forcing for the entire byte.</p> <p>TTOHEN1-4 is sampled on the rising edge of TOHCLK1-4.</p>
TPOH1 TPOH2 TPOH3 TPOH4	CMOS/TTL compatible Input	AK24 AK22 AJ20 AK19	<p>The Transmit Path Overhead (TPOH1-4) signal contains the path overhead bytes (J1, C2, G1, F2, Z3, Z4, and Z5) to be transmitted in the STS-48c/ STS-12c/STS-3c/STS-1 SONET path overhead or the AU4-16c/ AU4-4c/AU4/AU3/TU3 SDH path overhead. The signal also contains the error masks to be applied on the B3 and H4 bytes.</p> <p>A path overhead byte is accepted for transmission when the external source indicates a valid byte (TPOHEN1-4 set high) and the SPECTRA 1x2488 indicates ready (TPOHRDY1-4 set high). The SPECTRA 1x2488 will ignore the byte on TPOH1-4 when TPOHEN1-4 is set low. The TPOHRDY1-4 is set low to indicate the SPECTRA 1x2488 is not ready and the byte must be presented again at the next opportunity.</p> <p>TPOH1-4 is sampled on the rising edge of TOHCLK1-4.</p>
TPOHRDY1 TPOHRDY2 TPOHRDY3 TPOHRDY4	CMOS/TTL compatible Output	AJ23 AF20 AK20 AJ18	<p>The Transmit Path Overhead Insert Ready (TPOHRDY1-4) signal indicates when the SPECTRA 1x2488 is ready to accept the byte currently on TPOH1-4.</p> <p>TPOHRDY1-4 is set high during the most significant bit of a POH byte to indicate readiness to accept the byte on the TPOH1-4 input. This byte will be accepted if TPOHEN1-4 is also set high. If TPOHEN1-4 is set low, the byte is invalid and ignored. TPOHRDY1-4 is set low to indicate that the SPECTRA 1x2488 is unable to accept the byte on TPOH1-4, and expects the byte to be presented again at the next opportunity.</p> <p>TPOHRDY1-4 is updated on the falling edge of TOHCLK1-4.</p>

Pin Name	Type	Pin No.	Function
TPOHEN1 TPOHEN2 TPOHEN3 TPOHEN4	CMOS/TTL compatible Input	AG22 AH21 AG19 AF17	<p>The Transmit Path Overhead Insert Enable (TPOHEN1-4) signal controls the insertion of the transmit path overhead data inserted in the outgoing stream.</p> <p>TPOHEN1-4 shall be set high during the most significant bit of a POH byte to indicate valid data on the TPOH1-4 input. This byte will be accepted for transmission if TPOHRDY1-4 is also set high. If TPOHRDY1-4 is set low, the byte is rejected and must be presented again at the next opportunity.</p> <p>Accepted bytes sampled on TPOH1-4 are inserted into the corresponding path overhead byte positions (for the J1, C2, G1, F2, Z3, Z4, and Z5 bytes). The byte on TPOH1-4 is ignored when TPOHEN1-4 is set low during the most significant bit position.</p> <p>When the byte at the B3 or H4 byte position on TPOH1-4 is accepted, it is used as an error mask to modify the corresponding transmit B3 or H4 path overhead bytes respectively. The accepted error mask is XORed with the corresponding B3 or H4 byte before it is transmitted.</p> <p>TPOHEN1-4 is sampled on the rising edge of the TOHCLK1-4.</p>

9.7 Receive Section/Line DCC Extraction Signals (Single and Quad Mode)

Pin Name	Type	Pin No.	Function
RSLDCLK1 RSLDCLK2 RSLDCLK3 RSLDCLK4	CMOS/TTL compatible Tristate Output	A20 D18 E17 D16	<p>The Receive Section or Line Data Communication Channel Clock (RSLDCLK1-4) signal is used to update the receive section or line DCC (RSLD1-4).</p> <p>When section DCC is selected, RSLDCLK is a nominal 192 kHz clock with a 50% duty cycle. When line DCC is selected, RSLDCLK is a nominal 576 kHz clock with a 50% duty cycle.</p> <p>RSLD1-4 is updated on the falling edge of RSLDCLK1-4 and ROHFP1-4 is used to identify the MSB of the D1 or the D4 byte on RSLD1-4.</p> <p>The RSLDSEL bit in the RRMP 0080H, 0480H, 0880H, and 0C80H registers select the section or line DCC and the RSLDTS bit tri-states RSLDCLK and RSLD outputs.</p>
RSLD1 RSLD2 RSLD3 RSLD4	CMOS/TTL compatible Tristate Output	B20 E18 B18 A17	<p>The Receive Section or Line Data Communication Channel (RSLD1-4) signal contains the received section DCC (D1-D3) or line DCC (D4-D12).</p> <p>RSLD1-4 is updated on the falling edge of RSLDCLK1-4 and should be sampled externally on the rising edge of RSLDCLK1-4. ROHFP1-4 is used to identify the MSB of the D1 or the D4 byte on RSLD1-4.</p> <p>The RSLDSEL bit in the RRMP 0080H, 0480H, 0880H, and 0C80H registers select the section or line DCC and the RSLDTS bit tri-states RSLDCLK and RSLD outputs.</p>

Pin Name	Type	Pin No.	Function
RLDCLK1 RLDCLK2 RLDCLK3 RLDCLK4	CMOS/TTL compatible Tristate Output	E19 B19 A19 B17	<p>The Receive Line Data Communication Channel Clock (RLDCLK1-4) signal is used to update the received line DCC (RLD1-4).</p> <p>RLDCLK1-4 is a nominal 576 kHz clock with a 50% duty cycle.</p> <p>RLD1-4 is updated on the falling edge of RLDCLK1-4 and ROHFP1-4 is used to identify the MSB of the D4 byte on RLD1-4.</p> <p>The RLDTs bit in the RRMP 0080H, 0480H, 0880H, and 0C80H registers tri-states RLDCLK and RLD outputs.</p>
RLD1 RLD2 RLD3 RLD4	CMOS/TTL compatible Tristate Output	C20 D19 C18 C17	<p>The Receive Line Data Communication Channel (RLD1-4) signal contains the received line DCC (D4-D12).</p> <p>RLD1-4 is updated on the falling edge of RLDCLK1-4 and should be sampled externally on the rising edge of RLDCLK1-4. ROHFP1-4 is used to identify the MSB of the D4 byte on RLD1-4.</p> <p>The RLDTs bit in the RRMP 0080H, 0480H, 0880H, and 0C80H register tri-states RLDCLK1-4 and RLD1-4 outputs.</p>

9.8 Transmit Section/Line DCC Insertion Signals (Single and Quad Mode)

Pin Name	Type	Pin No.	Function
TSLDCLK1 TSLDCLK2 TSLDCLK3 TSLDCLK4	CMOS/TTL compatible Tristate Output	W27 Y28 Y26 AC30	<p>The Transmit Section or Line Data Communication Channel Clock (TSLDCLK1-4) signal is used to clock in the transmit section or line DCC (TSLD1-4).</p> <p>When section DCC is selected, TSLDCLK1-4 is a nominal 192 kHz clock with a 50% duty cycle. When line DCC is selected, TSLDCLK1-4 is a nominal 576 kHz clock with a 50% duty cycle.</p> <p>TSLD1-4 is sampled on the rising edge of TSLDCLK1-4 and TOHFP1-4 is used to identify the MSB of the D1 or the D4 byte on TSLD1-4.</p> <p>The TSLDSEL bit in the TRMP 1080H, 1480H, 1880H, and 1C80H registers selects the section or line DCC and the TSLDTS bit tri-states TSLDCLK1-4 output.</p>
TSLD1 TSLD2 TSLD3 TSLD4	CMOS/TTL compatible Input	Y30 Y27 AB30 AA26	<p>The Transmit Section or Line Data Communication Channel (TSLD1-4) signal contains the section DCC (D1-D3) or the line DCC (D4-D12) to be transmitted.</p> <p>TSLD1-4 is sampled on the rising edge of TSLDCLK1-4 and TOHFP1-4 is used to identify the MSB of the D1 or the D4 byte on TSLD1-4. The TTOH and TTOHEN inputs take precedence over TSLD1-4.</p> <p>The TSLDSEL bit in the TRMP 1080H, 1480H, 1880H, and 1C80H registers selects the section or line DCC.</p>

Pin Name	Type	Pin No.	Function
TLCLK1 TLCLK2 TLCLK3 TLCLK4	CMOS/TTL compatible Tristate Output	Y29 AA29 AB29 AB27	<p>The Transmit Line Data Communication Channel Clock (TLCLK1-4) signal is used to clock in the transmit line DCC (TLCLK1-4).</p> <p>TLCLK1-4 is a nominal 576 kHz clock with a 50% duty cycle.</p> <p>TLCLK1-4 is sampled on the rising edge of TLCLK1-4 and TOHFP1-4 is used to identify the MSB of the D4 byte on TLCLK1-4.</p> <p>The TLCLK bit in the TRMP 1080H, 1480H, 1880H, and 1C80H registers tri-states TLCLK1-4 output.</p>
TLD1 TLD2 TLD3 TLD4	CMOS/TTL compatible Input	W26 AA28 AB28 AC29	<p>The Transmit Line Data Communication Channel (TLD1-4) signal contains the line DCC (D4-D12) to be transmitted.</p> <p>TLD1-4 is sampled on the rising edge of TLCLK1-4 and TOHFP1-4 is used to identify the MSB of the D4 byte on TLD1-4. The TTOH and TTOHEN inputs take precedence over TLD1-4.</p>

9.9 Receive Path BIP-8 Error Signals

Pin Name	Type	Pin No.	Function
B3E1 B3E2 B3E3 B3E4	CMOS/TTL compatible Output	AH15 AF15 AG15 AK14	<p>The Bit Interleaved Parity Error (B3E1-4) signal carries the path BIP-8 errors detected for each STS-48c/STS-3c/STS-1 SONET payload or AU4-16c/AU4-4c/AU4/AU3/TU3 SDH payload.</p> <p>B3E1-4 is set high for one ROHCLK1-4 clock cycle for each path BIP-8 error detected (up to eight errors per path per frame).</p> <p>When BIP-8 errors are treated on a block basis, B3E1-4 is set high for one ROHCLK1-4 clock cycle for up to eight path BIP-8 errors detected (up to one error per path per frame).</p> <p>Path BIP-8 errors are detected by comparing the extracted path BIP-8 byte (B3) with the computed path BIP-8 byte of the previous frame.</p> <p>B3E1-4 is updated on the falling edge of ROHCLK1.</p>

9.10 Drop Bus Telecom Interface Signals (Single and Quad Mode)

Pin Name	Pin Type	PIN No.	Function
DCK	CMOS/TTL compatible Schmitt Input	R29	<p>The DROP Bus Clock (DCK) signal provides timing for the DROP bus interface. DCK is nominally a 77.76 MHz 50% duty cycle clock. Frequency offset between the receive line side clock and the DROP bus clock are accommodated by pointer justification events on the DROP bus.</p> <p>DCK is a Schmitt triggered input.</p> <p>DCMP and DJ0REF are sampled on the rising edge of DCK.</p> <p>DD1-4[7:0], DPL1-4, DJ0J11-4, DDP1-4, and DALARM1-4 are updated on the rising edge of DCK</p>

Pin Name	Pin Type	PIN No.	Function
DCMP	CMOS/TTL compatible Input	T29	<p>The DROP Connection Memory Page (DCMP) signal controls the selection of the connection memory page in the DROP Time-Slot Interchange block.</p> <p>DCMP is XORed with the PSEL bit in the DSTSI 0222H register. When DCMP XOR PSEL is set high, connection memory page 1 is selected. When DCMP XOR PSEL is set low, connection memory page 0 is selected. DCMP is sampled at the J0 byte location as defined by the DJ0J1 output. Changes to the connection memory page selection are synchronized to the transport frame boundary of the second next frame.</p> <p>DCMP is sampled on the rising edge of DCK</p>
DJ0REF	CMOS/TTL compatible Input	T28	<p>The active high DROP Bus J0 Position (DJ0REF) signal synchronizes the SONET/SDH frame alignment on the DD1-4[7:0] buses.</p> <p>DJ0REF must be asserted for one DCK clock cycle to synchronize the section trace byte.</p> <p>In STS-48/STM-16 mode, the section trace byte is synchronized on DD1[7:0] bus. In the quad STS-12/STM-4 mode, the section trace bytes are synchronized on DD1-4[7:0] buses.</p> <p>It is not necessary for DJ0REF to be present at every frame, an internal counter fly-wheels based on the most recent DJ0REF assertion.</p> <p>The DFPEN bit in the SPECTRA 0014H register synchronizes the drop bus on the first byte after the J0/Z0 bytes instead of the section trace.</p> <p>DJ0REF is sampled on the rising edge of DCK.</p>

Pin Name	Pin Type	PIN No.	Function
DD1[7] DD1[6] DD1[5] DD1[4] DD1[3] DD1[2] DD1[1] DD1[0] DD2[7] DD2[6] DD2[5] DD2[4] DD2[3] DD2[2] DD2[1] DD2[0] DD3[7] DD3[6] DD3[5] DD3[4] DD3[3] DD3[2] DD3[1] DD3[0] DD4[7] DD4[6] DD4[5] DD4[4] DD4[3] DD4[2] DD4[1] DD4[0]	CMOS/TTL compatible Output	B25 A26 E23 D24 C25 B26 A27 E24 L26 K28 K29 L27 L28 M26 L29 L30 U28 U26 V29 W30 V28 V27 V26 W29 AF24 AK27 AJ26 AH25 AG24 AF23 AK26 AJ25	<p>The DROP Bus Data (DD1-4[7:0]) bus carries the 32-bit STS-48c/ STS-12c/STS-3c/STS-1 SONET payload or AU4-16c/ AU4-4c/AU4/AU3/TU3 SDH payload when the device is configured in STS-48/STM-16 mode. It also carries the four-byte serial STS-12c/STS-3c/STS-1 SONET payload or AU4-4c/AU4/AU3/TU3 SDH payload when the device is configured in quad STS-12/STM-4 mode.</p> <p>When the DROP bus STSI functionality is disabled, the dropped payload multiplexing corresponds to that of the received SONET/SDH data. STSI may be used to reorder this multiplexing on the DROP bus.</p> <p>The transport overhead bytes, with the exception of the H1/H2 pointer bytes, are set to zeros. The framing pattern may be inserted in the A1 and A2 framing bytes. The fixed stuff columns in a tributary mapped SPE (VC) may also be optionally set to zero.</p> <p>DD1-4[7] is the most significant bit (corresponding to bit 1 of each serial word, the first bit received). DD1-4[0] is the least significant bit (corresponding to bit 8 of each serial word, the last bit received).</p> <p>DD1-4[7:0] are updated on the rising edge of DCK.</p>
DPL1 DPL2 DPL3 DPL4	CMOS/TTL compatible Output	C24 J30 U29 AH26	<p>The active high DROP Bus Payload (DPL1-4) signal indicates when the DD1-4[7:0] bus is carrying a payload byte.</p> <p>DPL1-4 is set high during path overhead and payload bytes and low during transport overhead bytes. DPL1-4 is set high during the H3 byte to indicate a negative pointer justification event and set low during the byte following the H3 byte to indicate a positive pointer justification event.</p> <p>DPL1-4 is updated on the rising edge of DCK.</p>
DJ0J11 DJ0J12 DJ0J13 DJ0J14	CMOS/TTL compatible Output	D23 J29 U30 AG29	<p>The active high DROP Bus Composite Timing (DJ0J1-4) signal indicates the frame and payload boundaries on the DD1-4[7:0] bus.</p> <p>DJ0J11-4 pulses high with the DROP bus payload active signal DPL1-4 set low to mark the section trace byte (J0). DJ0J11-4 pulses high with DPL1-4 set high to mark all the path trace byte (J1).</p> <p>DJ0J11-4 is updated on the rising edge of DCK.</p>

Pin Name	Pin Type	PIN No.	Function
DALARM1 DALARM2 DALARM3 DALARM4	CMOS/TTL compatible Output	E22 J28 T27 AF28	<p>The active high Drop Bus Alarm (DALARM1-4) signal indicates path AIS.</p> <p>DALARM1-4 is set high when the byte on DD1-4[7:0] is in path AIS and is set low when the byte is out of path AIS.</p> <p>DALARM1-4 is updated on the rising edge of DCK.</p>
DDP1 DDP2 DDP3 DDP4	CMOS/TTL compatible Output	B24 H30 T26 AD26	<p>The DROP Bus Data Parity (DDP1-4) signal indicates the parity of the DROP bus signals.</p> <p>The DD1-4[7:0] data bus is always included in parity calculations. The DPLPAREN, DJ0J1PAREN, D32PAREN, and DODDPAREN bits in the SPECTRA 1x2488 0014H register control the inclusion of the DPL1-4, DJ0J11-4, DD1-4 signals in parity calculation and the sense (odd/even) of the parity.</p> <p>DDP1-4 is updated on the rising edge of DCK.</p>

9.11 Add Bus Telecom Interface Signals (Single and Quad Mode)

Pin Name	Pin Type	PIN No.	Function
ACK	CMOS/TTL compatible Schmitt Input	R26	<p>The ADD Bus Clock (ACK) signal provides timing for the ADD bus interface. ACK is nominally a 77.76 MHz 50% duty cycle clock. Frequency offset between the transmit line side clock and the ADD bus clock are accommodated by pointer justification events on the transmit line side.</p> <p>ACK is a Schmitt triggered input.</p> <p>ACMP, AD1-4[7:0], APL1-4, AJ0J1_FP1-4, ADP1-4, and APAIS1-4 are sampled on the rising edge of ACK.</p>
ACMP	CMOS/TTL compatible Input	R28	<p>The ADD Connection Memory Page (ACMP) signal controls the selection of the connection memory page in the ADD Time-Slot Interchange block.</p> <p>ACMP is XORed with the PSEL bit in the ASTSI 1222H register.</p> <p>When ACMP XOR PSEL is set high, connection memory page 1 is selected. When ACMP XOR PSEL is set low, connection memory page 0 is selected. ACMP is sampled at the J0 byte location as defined by the AJ0J1 input. Changes to the connection memory page selection are synchronized to the transport frame boundary of the second next frame.</p> <p>ACMP is sampled on the rising edge of ACK</p>

Pin Name	Pin Type	PIN No.	Function
AD1[7] AD1[6] AD1[5] AD1[4] AD1[3] AD1[2] AD1[1] AD1[0]	CMOS/TTL compatible Input	A22 B22 C22 A23 E21 D22 B23 A24	The ADD Bus Data (AD1-4[7:0]) bus carries the 32-bit serial STS-48c/STS-12c/STS-3c/STS-1 SONET payload or AU4-16c/AU4-12c/ AU4-8c/AU4-4c/AU4/AU3/TU3 SDH payload to be transmitted when the device is configured in STS-48/STM-16 mode. It also carries the four byte serial STS-12c/STS-3c/STS-1 SONET payload or AU4-4c/AU4/AU3/TU3 SDH payload to be transmitted when the device is configured in quad STS-12/STM-4 mode.
AD2[7] AD2[6] AD2[5] AD2[4] AD2[3] AD2[2] AD2[1] AD2[0]		G28 H27 J26 G29 G30 H29 J27 K26	When the ADD bus STSI functionality is disabled, the transmit SONET/SDH payload multiplexing corresponds to that of the ADD bus. STSI may be used to reorder this multiplexing on the transmit SONET/SDH payload. The transport overhead bytes are ignored with the programmable exception of H1 and H2 pointer bytes. The phase relation of the SPE (VC) to the transport frame is determined by the ADD bus composite timing signal AJ0J1_FP1-4 or optionally by interpreting the H1 and H2 pointer bytes.
AD3[7] AD3[6] AD3[5] AD3[4] AD3[3] AD3[2] AD3[1] AD3[0]		N28 M30 N29 P26 P28 P29 P30 R27	A V1 pulse in the AJ0J1_FP1-4 composite signal is tolerated but not used to insert the multi-frame indication in the H4 byte. A valid H4 byte must be provided on the ADD bus to indicate the multi-frame alignment in a tributary structure SPE (VC). AD1-4[7] is the most significant bit (corresponding to bit 1 of each serial word, the first bit transmitted). AD1-4[0] is the least significant bit (corresponding to bit 8 of each serial word, the last bit transmitted).
AD4[7] AD4[6] AD4[5] AD4[4] AD4[3] AD4[2] AD4[1] AD4[0]		AD28 AE29 AF30 AC26 AD27 AE28 AF29 AG30	AD1-4[7:0] is sampled on the rising edge of ACK.
APL1 APL2 APL3 APL4	CMOS/TTL compatible Input	E20 F29 N27 AC27	The active high ADD Bus Payload (APL1-4) signal indicates when the AD1-4[7:0] bus is carrying a payload byte. APL1-4 is set high during path overhead and payload bytes and low during transport overhead bytes. APL1-4 is set high during the H3 byte to indicate a negative pointer justification event and set low during the byte following the H3 byte to indicate a positive pointer justification event. APL1-4 is sampled on the rising edge of ACK.

Pin Name	Pin Type	PIN No.	Function
AJ0J1_FP1 AJ0J1_FP2 AJ0J1_FP3 AJ0J1_FP4	CMOS/TTL compatible Input	C21 E30 N26 AB26	<p>The active high ADD Bus Composite Timing (AJ0J1_FP1-4) signal indicates the frame and optionally the payload boundaries on the AD1-4[7:0] bus. AJ0J11-4 is defined when the AFPEN bit in the SPECTRA 1x2488 0016H register is set low.</p> <p>AJ0J1_FP1-4 pulses high with the ADD bus payload active signal, APL1-4, set low to mark the section trace byte (J0). Optionally, AJ0J11-4 pulses high with APL1-4 set high to mark all path trace bytes (J1).</p> <p>Setting the TAPIDIS bit low in the SPECTRA 1x2488 0002H register enables pointer interpretation on the ADD bus. Valid H1 and H2 pointer bytes must be provided on the ADD bus to allow the J1 position to be identified.</p> <p>The AD1-4[7:0] buses must be frame aligned to have the J0 pulses of the AJ0J1_FP1-4 composite signals set high simultaneously.</p> <p>AJ0J1_FP1-4 is sampled on the rising edge of ACK.</p>
APAIS1 APAIS2 APAIS3 APAIS4	CMOS/TTL compatible Input	B21 B27 M29 AD29	<p>The active high ADD Bus Path AIS (ADPAIS1-4) signal indicates path AIS.</p> <p>APAIS1-4 is set high when the byte on AD1-4[7:0] is in path AIS and is set low when the byte is out of path AIS.</p> <p>APAIS1-4 is sampled on the rising edge of ACK.</p>
ADP1 ADP2 ADP3 ADP4	CMOS/TTL compatible Input	D20 C26 M27 AD30	<p>The ADD Bus Data Parity (ADP1-4) signal indicates the parity of the ADD bus signals.</p> <p>The AD1-4[7:0] data bus is always included in parity calculations. The APLPAREN, AJ0J1PAREN, A32PAREN, and AODDPAREN bits in the SPECTRA 0016H register control the inclusion of the APL1-4, AJ0J1_FP1-4, AD1-4 signals in parity calculation and the sense (odd/even) of the parity.</p> <p>ADP1-4 is sampled on the rising edge of ACK.</p>

9.12 Microprocessor Interface Signals

Pin Name	Type	Pin No.	Function
CSB	CMOS/TTL compatible Schmitt Input	AK5	<p>The active low Chip Select (CSB) signal is low during SPECTRA 1x2488 register accesses.</p> <p>CSB is a Schmitt triggered input.</p> <p>Note that when not in use, CSB must be tied low. If CSB is not required (i.e. register accesses controlled using the RDB and WRB signals only), CSB must be connected to an inverted version of the RSTB input.</p>
RDB	CMOS/TTL compatible Input	AG7	<p>The active low Read Enable (RDB) signal is low during a SPECTRA 1x2488 read access. The SPECTRA 1x2488 drives the D[15:0] bus with the contents of the addressed register while RDB and CSB are low.</p>

Pin Name	Type	Pin No.	Function
WRB	CMOS/TTL compatible Input	AH6	The active low Write Strobe (WRB) signal is low during a SPECTRA 1x2488 register write access. The D[15:0] bus contents are clocked into the addressed register on the rising WRB edge while CSB is low.
D[15] D[14] D[13] D[12] D[11] D[10] D[9] D[8] D[7] D[6] D[5] D[4] D[3] D[2] D[1] D[0]	CMOS/TTL compatible I/O	AJ14 AH14 AF14 AJ13 AK12 AH13 AG13 AF13 AJ12 AG12 AK11 AJ11 AF12 AH11 AG11 AJ10	The bi-directional Data Bus , D[15:0], is used during SPECTRA 1x2488 read and write accesses.
A[13]	CMOS/TTL compatible Input	AH10	The Test Register Select signal (A[13]) selects between normal and test mode register accesses. TRS is high during test mode register accesses, and is low during normal mode register accesses. TRS may be tied low.
A[12] A[11] A[10] A[9] A[8] A[7] A[6] A[5] A[4] A[3] A[2] A[1] A[0]	CMOS/TTL compatible Input	AF11 AK9 AJ9 AH9 AK8 AF10 AG9 AJ8 AK7 AJ7 AF9 AH7 AJ6	The Address Bus (A[12:0]) selects specific registers during SPECTRA 1x2488 register accesses.
RSTB	CMOS/TTL compatible Schmidt Input	AJ5	The Active Low Reset (RSTB) signal provides an asynchronous SPECTRA 1x2488 reset. RSTB is a Schmidt triggered input with an integral pull-up resistor.
ALE	CMOS/TTL compatible Input	AF8	The Address Latch Enable (ALE) is an active-high signal and latches the address bus A[13:0] when low. When ALE is high, the internal address latches are transparent. It allows the SPECTRA 1x2488 to interface to a multiplexed address/data bus. The ALE input has an integral pull up resistor.
INTB	CMOS/TTL compatible OD Output	AK4	The Active Low Interrupt (INTB) is set low when a SPECTRA 1x2488 enabled interrupt source is active. The SPECTRA 1x2488 may be enabled to report many alarms or events via interrupts. INTB is tri-stated when the interrupt is acknowledged via the appropriate register access. INTB is an open drain output.

9.13 Analog Miscellaneous Signals

Pin Name	Type	Pin No.	Function
ATP_2488[0] ATP_2488[1]	Analog	AB5 AB4	The two Analog Test Ports are provided for production testing only. These pins must be left unconnected during normal operation. ATP_2488[1:0] are the test ports for the 2488 Mbit/s analog circuitry.
C0_CRU C1_CRU	Analog	AD1 AD2	The Analog C0_CRU and C1_CRU pins are used as an external capacitor for the clock recovery unit. The C0_CRU and C1_CRU pins must not be left floating (no connection). A 10nF non-polarized capacitor should be attached across C0_CRU and C1_CRU. C0_CRU and C1_CRU are used in single STS-48/STM-16 mode only
C0_CSU C1_CSU	Analog	W5 W4	The Analog C0_CSU and C1_CSU pins are used as an external capacitor for the clock synthesis unit. The C0_CSU and C1_CSU pins must not be left floating (no connection). A 100nF non-polarized capacitor should be attached across C0_CSU and C1_CSU. C0_CSU and C1_CSU are used in single STS-48/STM-16 mode only
REXT	Analog	J4	The External Resistor Pin (REXT) should be connected to an off-chip resistor of 10kΩ (±1%). It is used to set internal reference currents to be used in the 4x622MABC. The other side of the external resistor should be connected to a low impedance PCB ground. REXT is used in Quad-622 mode only
LCOUT_P / LCOUT_N	Analog	R2 R1	The two Analog Test Ports are provided for internal or characterization testing only. These two pins must be left unconnected.
ATB[1:0]	Analog	E1 E2	The two Analog Test Ports are provided for production testing only. These pins must be left unconnected during normal operation. This test bus is used in Quad-622 mode only.

9.14 JTAG Test Access Port (TAP) Signals

Pin Name	Type	Pin No.	Function
TCK	CMOS/TTL compatible Schmitt Input	E28	The Test Clock (TCK) signal provides timing for test operations that can be carried out using the IEEE P1149.1 test access port. TCK is a Schmitt triggered input.
TMS	CMOS/TTL compatible Input	G26	The Test Mode Select (TMS) signal controls the test operations that can be carried out using the IEEE P1149.1 test access port. TMS is sampled on the rising edge of TCK. TMS

Pin Name	Type	Pin No.	Function
			has an integral pull up resistor.
TDI	CMOS/TTL compatible Input	D30	When the SPECTRA 1x2488 is configured for JTAG operation, the Test Data Input (TDI) signal carries test data into the SPECTRA 1x2488 via the IEEE P1149.1 test access port. TDI is sampled on the rising edge of TCK. TDI has an integral pull up resistor.
TDO	CMOS/TTL compatible Tristate Output	E29	The Test Data Output (TDO) signal carries test data out of the SPECTRA 1x2488 via the IEEE P1149.1 test access port. TDO is updated on the falling edge of TCK. TDO is a tri-state output that is inactive except when scanning of data is in progress.
TRSTB	CMOS/TTL compatible Schmitt Input	F28	The Active-low Test Reset (TRSTB) signal provides an asynchronous SPECTRA 1x2488 test access port reset via the IEEE P1149.1 test access port. TRSTB is a Schmitt triggered input with an integral pull up resistor. Note that for normal device operation, the boundary scan state machine must be reset. This may be done either by pulling TRSTB low through a 4.7k or smaller value resistor, or by strobing TRSTB low at the same time as the active-low chip reset pin. If the boundary scan state machine is not reset, some or all device I/O pins may be held in test modes.

9.15 Power and Ground

Pin Name	Pin Type	Pin No.	Function
AVDH [6:0]	Analog Power	AD4 AC5 AA5 Y5 V5 U5 G5	The Analog Power (AVDH) pins for the analog core should be connected through passive filtering networks to a well-decoupled +3.3 V analog power supply. Please see the Operation section for detailed information.
AVDL[7:0]	Analog Power	E3 J5 T4 R5 N5 L5 H5 F5	The Analog Power (AVDL) pins for the analog core should be connected through passive filtering networks to a well-decoupled +1.8 V analog power supply. Please see the Operation section for detailed information.
QAVD[2:0]	Analog Power	E4 AD5 U4	The Quiet Power (QAVD) pins are used for the analog core. QAVD should be connected to a well-decoupled analog +3.3 V supply. These power pins should be decoupled separately from the analog power pins (AVDH).
VDDI[21:0]	1.8 V Digital Power	AG25 AG21 AG17 AG14 AG10 AG6 AE27 AA27 U27 P27 P3 L3 K27 H4 F27 F3 D25 D21 D17 D14 D10 D6	The Core Digital Power (VDDI) pins should be connected to a well-decoupled +1.8 V digital power supply.
VDDI_A[4:0]	1.8 V Digital Power	V4 AA4 AC4 AE5 AE3	The Analog Digital Power (VDDI_A) pins should be connected to a well-decoupled +1.8 V digital power supply.

Pin Name	Pin Type	Pin No.	Function
VDDI_JAT[3:0]	1.8 V Digital Power	C7 C9 E10 AG8	The JAT Digital Power (VDDI_JAT) pins should be connected to the same well-decoupled +1.8 V digital power supply as the Core Digital Power (VDDI) pins. In the pin diagram, the pins AG8 (VDDI_JAT1), C7 (VDDI_JAT2), E10 (VDDI_JAT3) and C9 (VDDI_JAT4) reference VDDI_JAT[3:0].
VDDO[39:0]	3.3 V Digital Power	AK28 AK3 AJ28 AJ3 AH30 AH29 AH28 AH23 AH19 AH12 AH8 AH3 AH2 AH1 AG27 AG4 AF26 AF5 AC28 W28 M28 H28 E26 E5 D27 D4 C30 C29 C28 C23 C19 C12 C8 C3 C2 C1 B28 B3 A28 A3	The I/O Digital Power (VDDO) pins should be connected to a well-decoupled +3.3 V digital power supply.
VSS[115:0]	Ground	AK30 AK29 AK25 AK21 AK18 AK16 AK15 AK13 AK10 AK6 AK2 AK1 AJ30 AJ29 AJ27 AJ2 AJ1 AH27 AH5 AH4 AG28 AG26 AG5 AG3 AG2 AG1 AF27 AF25 AF6 AF4 AF3 AF2 AF1 AE30 AE26 AE4 AE2 AE1 AD3 AC3 AC2 AC1 AB3 AA30 AA3 AA2 AA1 Y4 Y3 Y2 W3 W2 V30 V3 V2 V1 U3 T30 T3 T2 T1 R30 R4 R3 P2 P1 N30 N4 N3 M3 M2 M1 L4 K30 K3 K2 K1 J3 H3 H2 H1 G4 G3 F30 F26 F4 F2 F1 E27 E25 E6 D29 D28 D26 D5 D3 D2 D1 C27 B30 B29 B2 B1 A30 A29 A25 A21 A18 A16 A15 A13 A10 A6 A2 A1 T5	The ground (VSS) pins should be connected to the ground of the analog and digital power supply. In the pin diagram, the T5 pin labeled LC_AVDL should be tied to VSS.
NC	No Connect		The No Connect (NC) pins should be left unconnected.

Notes on Pin Description

1. All SPECTRA 1x2488 inputs and bi-directionals present minimum capacitive loading and operate at CMOS/TTL compatible logic levels except for inputs/outputs that operate at pseudo-ECL (PECL) logic levels.

2. All SPECTRA 1x2488 digital outputs have 2 mA drive capability except for CRUCLKO, CSUCLKO, DALARM1-4, DJ0J11-4, DPL1-4, DD1-4[7:0], DDP1-4, PGMTCCLK and RCLK1-4, which have 10 mA drive capability, and INTB, RPOHEN1-4, RPOH1-4, TDO, D[15:0], which have 4 mA drive capability.
3. Inputs ALE, RSTB, TMS, TDI, and TRSTB have internal pull-up resistors.
4. It is mandatory that every ground pin (VSS) be connected to the printed circuit board ground plane to ensure reliable device operation.
5. It is mandatory that every digital power pin (VDDI and VDDO) be connected to the printed circuit board power plane to ensure reliable device operation.
6. All analog power pins can be sensitive to noise. They must be isolated from the digital power. Care must be taken to correctly decouple these pins. Refer to the Operation section for more information.
7. Due to ESD protection structures in the pads, it is necessary to exercise caution when powering a device up or down. ESD protection devices behave as diodes from I/O pins to power supply pins as well as between power supply pins. Under extreme conditions, it is possible to damage these ESD protection devices or trigger latch up. Please adhere to the recommended power supply sequencing as described in Power Sequencing section 18.2 of this document.
8. Do not exceed 100 mA of current on any pin during the power-up or power-down sequence. Refer to the Power Sequencing description in the Operation section.
9. Before any input activity occurs, ensure that the device power supplies are within their nominal voltage range.
10. Hold the device in the reset condition until the device power supplies are within their nominal voltage range.

10 Functional Description

This section describes the function of each entity on the block diagram.

10.1 Receive Line Interface

The Receive Line Interface allows direct interface of the SPECTRA 1x2488 device to optical modules (ODLs) or other medium interfaces. This block performs clock and data recovery on the incoming 2488.32 Mbit/s data stream or 4x622.08 Mbit/s data streams.

The clock recovery unit recovers the clock from the incoming bit serial data stream and is compliant with SONET and SDH jitter tolerance requirements. The clock recovery unit uses a low frequency reference clock (155.52 MHz for a single STS-48 and 77.76/155.52 MHz for quad STS-12s) to train and monitor its clock recovery PLL. Under loss of signal conditions, the clock recovery unit continues to output a line rate clock for keep-alive purposes. The clock recovery unit provides status bits that indicate whether it is locked to data or the reference and also supports diagnostic loop back and a loss of signal input that squelches normal input data.

Upon start-up, the PLL locks to the reference clock, REFCLK. When the recovered clock's frequency is close to the reference clock's frequency (approx. +/-488 ppm), the PLL attempts to lock to the data. Once in data lock, the PLL reverts to the reference clock if no data transitions occur in 128 bit¹ periods or if the recovered clock drifts beyond 1000 ppm of the reference clock. To avoid bit errors due to a lack of edges, a transition density of approximately 50% over 1 second is required. This is generally assured when using SONET scrambling.

When the transmit clock is derived from the recovered clock (loop timing) in a loss of signal condition, the accuracy of the transmit clock is directly related to the REFCLK reference accuracy. To meet the Bellcore GR-253-CORE SONET Network Element free-run accuracy specification, the reference must be within ±4.6 ppm. When not loop timed, the REFCLK accuracy may be relaxed to ±20 ppm.

The loop filter transfer function is optimized to enable the PLL to track the jitter and tolerate the minimum transition density expected in a received SONET data signal. The total loop dynamics of the clock recovery PLL yield a jitter tolerance that exceeds the minimum tolerance specified for SONET equipment by GR-253-CORE.

An unframed PRBS pattern can be optionally monitored on the receive line. The PRBS is based on the $X^{23}+X^{18}+1$ polynomial (PRBS²³) and is implemented by a Linear Feedback Shift Register (LFSR).

10.2 SONET/SDH Receive Line Interface (SRLI)

Based on the SONET/SDH A1/A2 framing pattern, the SONET/SDH receive line interface (SRLI) block performs byte and frame alignment on the incoming 2488 Mbit/s data stream.

¹ This number is programmable through LOS_COUNT[4:0] in Registers 0023H, 0036H, 0436H, 0836H, 0C36H.

While out of frame, the SRLI block monitors the receive data stream for an occurrence of the A1/A2 framing pattern. The block adjusts its byte and frame alignment when three consecutive A1 bytes followed by three consecutive A2 bytes occur in the data stream. When the framing pattern is detected, the SRLI informs the RRMP framer block to reinitialize to the new transport frame alignment. While in frame, the block maintains the same byte and frame alignment until the RRMP declares an out of frame condition.

10.3 Receive Regenerator and Multiplexer Processor (RRMP)

The Receive Regenerator and Multiplexer Processor (RRMP) block extracts and process the transport overhead (TOH) of the received data stream.

Framing

The RRMP block frames to the data stream by operating with an upstream pattern detector (SRLI block) that searches for occurrences of the A1/A2 framing pattern. Once the SRLI has found an A1/A2 framing pattern, the RRMP monitors for the next occurrence of the framing pattern 125 µs later.

Two framing pattern algorithms are provided to improve performance in the presence of bit errors. In algorithm 1, the RRMP declares frame alignment (i.e. removes OOF defect) when twelve A1 and twelve A2 error-free bytes are seen. In algorithm 2, the RRMP declares frame alignment when one A1 byte and the first four bits of one A2 byte are seen error-free. Once in frame, the RRMP monitors the framing pattern and declares OOF when one or more bit errors in the framing pattern are detected for four consecutive frames. Depending upon the algorithm used, either 24 framing bytes or 12 framing bits are examined for bit errors in the framing pattern. Table 1 and Table 2 summarize the A1/A2 bytes used for out of frame (OOF) and in frame detection.

The performance of these framing algorithms in the presence of bit errors and random data is robust. When looking for frame alignment, each algorithm's performance is dominated by the alignment algorithm used in the SRLI. The SRLI's alignment algorithm always examines three A1 and three A2 framing bytes. The probability of falsely framing to random data is less than 0.00001% for either algorithm. Once in frame alignment, the RRMP continuously monitors the framing pattern. When the incoming stream contains a 10^{-3} BER, the first algorithm provides a 99.75% probability that the mean time between OOF occurrences is 1.3 seconds and the second algorithm provides a 99.75% probability that the mean time between OOF occurrences is 7 minutes.

Table 1 A1/A2 Bytes Used for Out of Frame Detection

SONET/SDH	Algorithm 1	Algorithm 2
STS-12/STM-4	All A1 & A2 bytes	First A1 byte Last A2 byte (first four bits only)
STS-48/STM-16	STS-12 #1 All A1 bytes STS-12 #4 All A2 bytes	STS-12 #1 First A1 byte STS-12 #4 Last A2 byte (first four bits only)

Table 2 A1/A2 Bytes Used for In Frame Detection

SONET/SDH	Algorithm 1	Algorithm 2
STS-12/STM-4	All A1 & A2 bytes	First A1 byte Last A2 byte (first four bits only)
STS-48/STM-16	STS-12 #1 All A1 bytes STS-12 #1 All A2 bytes	STS-12 #1 First A1 byte STS-12 #1 Last A2 byte (first four bits only)

The RRMP also detects loss of frame (LOF) and loss of signal (LOS) defects. LOF is declared when an out of frame (OOF) condition exists for a total period of 3ms during which there is no continuous in frame period of 3 ms. The LOF output is removed when an in frame condition exists for a continuous period of 3 ms. LOS is declared when a continuous period of 20 μ s without transitions on the received data stream is detected. LOS is removed when two consecutive framing patterns are found (based on algorithm 1 or algorithm 2) and during the intervening time (one frame) there are no continuous periods of 20 μ s without transitions on the received data stream.

Section BIP-8 Error Codes

The RRMP block calculates the section BIP-8 error detection code on the scrambled data of the complete frame. The section BIP-8 code is based on a bit interleaved parity calculation using even parity. The calculated BIP-8 code is compared with the BIP-8 code extracted from the B1 byte of STS-1 (STM-0) #1 of the following frame after de-scrambling. Any difference indicates a section BIP-8 error. The RRMP accumulates section BIP-8 errors in a microprocessor readable 16-bit saturating counter (up to 1 second accumulation time). Optionally, block section BIP-8 errors can be accumulated.

The RRMP optionally de-scrambles the received data stream. It calculates the line BIP-8 error detection codes on the de-scrambled line overhead and synchronous payload envelope (SPE) bytes of the constituent STS-1 (STM-0). The line BIP-8 code is based on a bit interleaved parity calculation using even parity. The calculated BIP-8 codes are compared with the BIP-8 codes extracted from the B2 byte of the constituent STS-1 (STM-0) of the following frame after de-scrambling. Any difference indicates a line BIP-8 error. The RRMP accumulates line BIP-8 errors in a microprocessor readable 24-bit saturating counter (up to 1 second accumulation time). Optionally, block BIP-24 errors can be accumulated.

The RRMP extracts the line remote error indication (REI-L) errors from the M1 byte of STS-1 (STM-0) #3 and accumulates them in a microprocessor readable 24-bit saturating counter (up to a one second accumulation time). Optionally, block line REI errors can be accumulated.

APS Bytes

Another function of the RRMP is the extraction and filtering of the K1/K2 APS bytes for three frames. The filtered K1/K2 APS bytes are accessible through microprocessor readable registers. The RRMP also monitors the unfiltered K1/K2 APS bytes to detect APS byte failure (APSBF-L) defect, line alarm indication signal (AIS-L) defect, and line remote defect indication (RDI-L) defect. APS byte failure is declared when twelve consecutive frames have been received where no three consecutive frames contain identical K1 bytes. The APS byte failure is removed upon detection of three consecutive frames containing identical K1 bytes. The detection of invalid APS codes is done using software that polls the K1/K2 APS register. Line AIS is declared when the bit pattern 111 is observed in bits 6, 7, and 8 of the K2 byte for three or five consecutive frames. Line AIS is removed when any pattern other than 111 is observed for three or five consecutive frames. Line RDI is declared when the bit pattern 110 is observed in bits 6, 7, and 8 of the K2 byte for three or five consecutive frames. Line RDI is removed when any pattern other than 110 is observed for three or five consecutive frames.

Synchronization Status Message (SSM)

The RRMP extracts and filters the synchronization status message (SSM) for eight frames. The filtered SSM is accessible through microprocessor readable registers.

RRMP optionally inserts line alarm indication signal (AIS-L).

Transport Overhead (TOH)

The RRMP block extracts and serially outputs all the transport overhead (TOH) bytes on the RTOH port. The TOH bytes are output in the same order that they are received (A1, A2, J0/Z0, B1, E1, F1, D1-D3, H1-H3, B2, K1, K2, D4-D12, S1/Z1, Z2/M1/Z2, and E2). ROHCLK is the generated output clock used to provide timing for the RTOH port. It is a nominal 20.736 MHz clock generated by gapping a 25.92 MHz clock. Sampling RTOHFP high with the rising edge of ROHCLK identifies the MSB of the first A1 byte.

Figure 9 STS-12 (STM-4) on RTOH 1-4or STS-48 (STM-16) on RTOH1

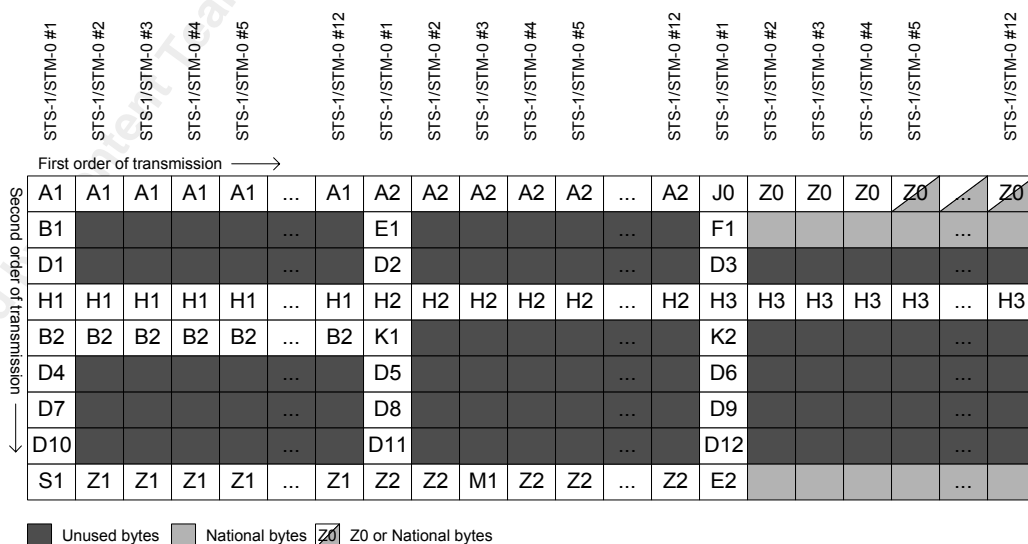
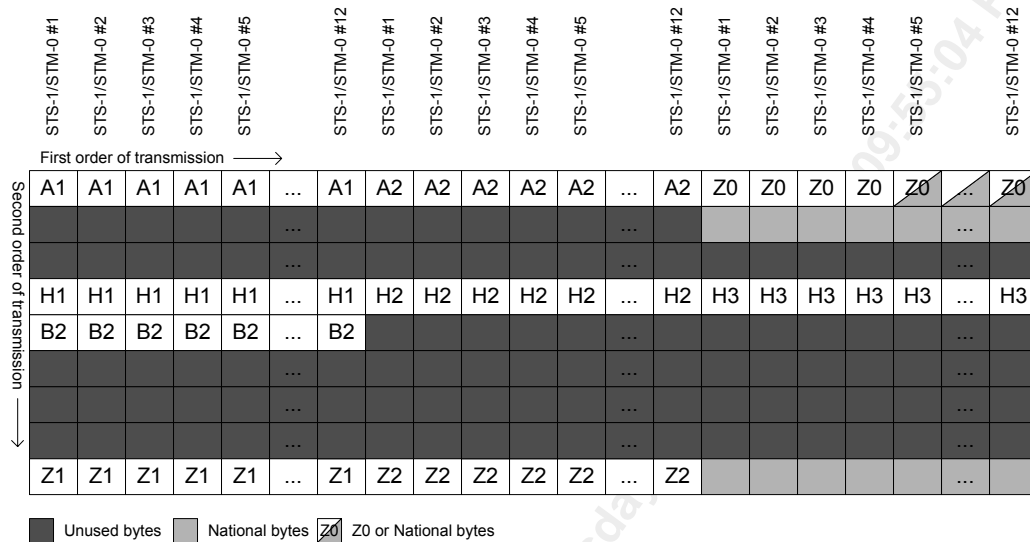


Figure 10 STS-48 (STM-16) on RTOH2-4



Section and Line DCC

The RRMP block serially outputs the line DCC bytes on the RLD and the RSLD ports. The line DCC bytes (D4-D12) are output on RLD. RSLD is selectable to output either the line DCC bytes (D4-D12) or the section DCC bytes (D1-D3). RLDCLK is the generated output clock used to provide timing for the RLD port. RLDCLK is a nominal 576 kHz clock. RSLDCLK is the generated output clock used to provide timing for the RSLD port. If RSLD carries the line DCC, RSLDCLK is a nominal 576 kHz clock or if RSLD carries the section DCC, RSLDCLK is a nominal 192 kHz clock. Sampling RTOHFP high identifies the MSB of the first DCC byte on RLD (D4) and RSLD (D1 or D4).

Interrupts

A maskable interrupt is activated to indicate any change in the status of out of frame (OOF), loss of frame (LOF), loss of signal (LOS), line remote defect indication (RDI-L), line alarm indication signal (AIS-L), synchronization status message (COSSM), APS bytes (COAPS) and APS byte failure (APSBF) or any errors in section BIP-8, line BIP-8 and line remote error indication (REI-L).

The RRMP block provides de-scrambled data and frame alignment indication signals for use by the RHPP.

10.4 Receive Trail Trace Processor (RTTP)

The Receive Trail Trace Processor (RTTP) block monitors the trail trace messages of the receive data stream for the trace identifier unstable (TIU) and trace identifier mismatch (TIM) defects. Three trail trace algorithms are defined.

Algorithm 1

The first algorithm is Bellcore compliant. This algorithm detects the trace identifier mismatch (TIM) defect on a 16 or 64-byte trail trace message. A TIM defect is declared when none of the last 20 messages matches the expected message. A TIM defect is removed when 16 of the last 20 messages match the expected message. The expected trail trace message is a static message written in the expected page of the RTTP by an external microprocessor. Optionally, the expected message is matched when the trail trace message is all zeros.

Algorithm 2

The second algorithm is ITU compliant. This algorithm detects the trace identifier unstable (TIU) and trace identifier mismatch (TIM) defects on a 16 or 64-byte trail trace message. The current trail trace message is stored in the captured page of the RTTP block. If the length of the message is 16 bytes, the RTTP synchronizes on the MSB of the message. The byte with the MSB set high is placed in the first location of the captured page. If the length of the message is 64 bytes, the RTTP synchronizes on the CR/LF (CR = 0Dh, LF = 0Ah) characters of the message. The following byte is placed in the first location of the captured page.

A persistent trail trace message is declared when an identical message is received for 3 or 5 consecutive multi-frames (16 or 64 frames). A persistent message then becomes the accepted message. The accepted message is stored in the accepted page of the RTTP. A TIU defect is declared when one or more erroneous bytes are detected in a total of eight messages without any persistent message in between. A TIU defect is removed when a persistent message is received.

A TIM defect is declared when the accepted message does not match the expected message. A TIM defect is removed when the accepted message matches the expected message. The expected message is a static message written in the expected page of the RTTP by an external microprocessor. Optionally, the algorithm declares a match trail trace message when the accepted message is all zeros.

Algorithm 3

The third algorithm is not BELLCORE or ITU compliant. This algorithm detects trace identifier unstable (TIU) defects on a single continuous trail trace byte. A TIU defect is declared when one or more erroneous bytes are detected in three consecutive 16-byte windows. The first window starts on the first erroneous byte. A TIU defect is removed when an identical byte is received for 48 consecutive frames. A maskable interrupt is activated to indicate any change in the status of trace identifier unstable (TIU) and trace identifier mismatch (TIM) defects.

10.5 Receive High Order Path Processor (RHPP)

The Receive High Order Path Processor (RHPP) block provides pointer interpretation, extraction of path overhead, extraction of the synchronous payload envelope (virtual container), and path level alarm and performance monitoring.

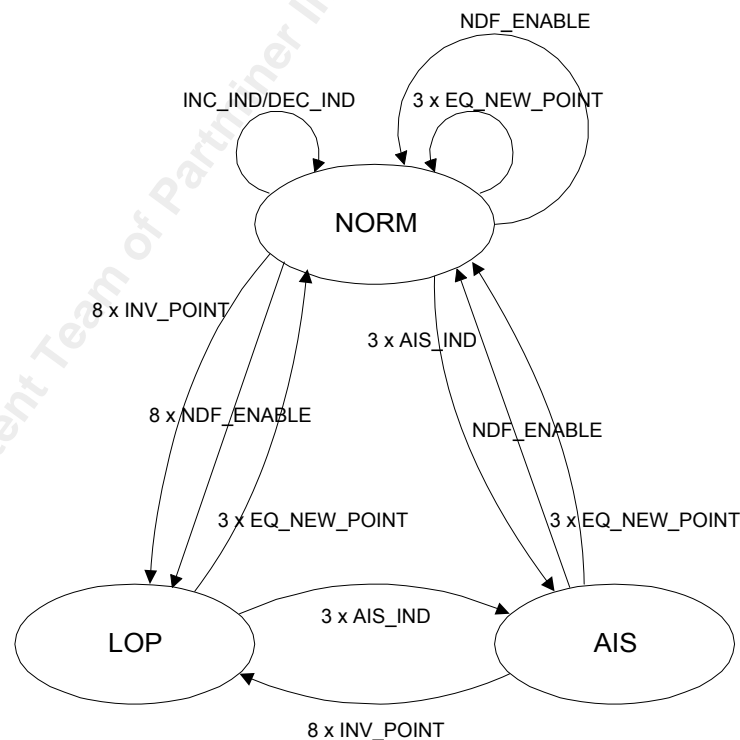
10.5.1 Pointer Interpreter

The pointer interpreter extracts and validates the H1 and H2 bytes in order to identify the location of the path overhead byte (J1) and all the synchronous payload envelope bytes (SPE) of the constituent STS-1/3c/12c/48c (VC3/4/4-4c/4-16c) payloads. The pointer interpreter is a time multiplexed finite state machine that can process any mix of STS-1/3c/12c/48c (AU3/4/4-4c/4-16c) pointers. Three states are defined within the pointer interpretation algorithm:

- NORM_state (NORM)
- AIS_state (AIS)
- LOP_state (LOP)

The transition between states will be consecutive events (indications). For example, it takes three consecutive AIS indications to go from the NORM_state to the AIS_state. The kind and number of consecutive indications activating a transition is chosen such that the behavior is stable and insensitive to low BER. The only transition on a single event is the one from the AIS_state to the NORM_state after receiving a NDF enabled with a valid pointer value. It should be noted that, since the algorithm only contains transitions based on consecutive indications. This implies that non-consecutively received invalid indications do not activate the transitions to the LOP_state.

Figure 11 Pointer Interpretation State Diagram



The following events (indications) are defined:

NORM_POINT: Disabled NDF + ss + offset value equal to active offset.

NDF_ENABLE: Enabled NDF + ss + offset value in range of 0 to 782.

AIS_IND: H1 = FFh + H2 = FFh.

INC_IND: Disabled NDF + ss + majority of I bits inverted + no majority of D bits inverted + previous NDF_ENABLE, INC_IND or DEC_IND more than 3 frames ago.

DEC_IND: Disabled NDF + ss + majority of D bits inverted + no majority of I bits inverted + previous NDF_ENABLE, INC_IND or DEC_IND more than 3 frames ago.

INV_POINT: Not any of the above (i.e.: not NORM_POINT, not NDF_ENABLE, not AIS_IND, not INC_IND and not DEC_IND).

NEW_POINT: Disabled NDF + ss + offset value in range of 0 to 782 but not equal to active offset.

Notes:

1. Active offset is defined as the accepted current phase of the SPE (VC) in the NORM_state and is undefined in the other states.
2. Enabled NDF is defined as the following bit patterns: 1001, 0001, 1101, 1011, and 1000.
3. Disabled NDF is defined as the following bit patterns: 0110, 1110, 0010, 0100, and 0111.
4. The remaining six NDF bit patterns (0000, 0011, 0101, 1010, 1100, 1111) result in an INV_POINT indication.
5. "ss" bits are unspecified in SONET and have bit pattern 10 in SDH.
6. The use of ss bits in definition of indications may be optionally disabled.
7. The requirement for previous NDF_ENABLE, INC_IND or DEC_IND be more than 3 frames ago may be optionally disabled.
8. NEW_POINT is also an INV_POINT.
9. The requirement for the pointer to be within the range of 0 to 782 in 8 X NDF_ENABLE may be optionally disabled.
10. LOP is not declared if all the following conditions exist:
 - the received pointer is out of range (>782),
 - the received pointer is static,
 - the received pointer can be interpreted, according to majority voting on the I and D bits, as a positive or negative justification indication, after making the requested justification, the received pointer continues to be interpretable as a pointer justification.
 - When the received pointer returns to an in-range value, the SPECTRA 1x2488 will interpret it correctly.

The transitions indicated in the state diagram are defined as follows:

INC_IND/DEC_IND: Offset adjustment (increment or decrement indication)

3 x EQ_NEW_POINT: Three consecutive equal NEW_POINT indications

NDF_ENABLE: Single NDF_ENABLE indication

3 x AIS_IND: Three consecutive AIS indications

8 x INV_POINT: Eight consecutive INV_POINT indications

8 x NDF_ENABLE: Eight consecutive NDF_ENABLE indications

Notes:

1. The transitions from NORM_state to NORM_state do not represent state changes but imply offset changes.
2. 3 x EQ_NEW_POINT takes precedence over other events and may optionally reset the INV_POINT count.
3. All three offset values received in 3 x EQ_NEW_POINT must be identical.
4. "Consecutive event counters" are reset to zero on a change of state (except the INV_POINT counter).

LOP is declared on entry to the LOP_state after eight consecutive invalid pointers or eight consecutive NDF enabled indications. Path AIS is optionally inserted in the DROP bus when LOP is declared. The alarm condition is reported in the ring control port and is optionally returned to the source node by signaling the corresponding Transmit High Order Path Processor in the local SPECTRA 1x2488 to insert a path RDI indication. Alternatively, if in-band error reporting is enabled, the path RDI bit in DROP bus G1 byte is set to indicate the LOP alarm to the THPP in a remote SPECTRA 1x2488.

PAIS is declared on entry to the AIS_state after three consecutive AIS indications. Path AIS is inserted in the DROP bus when AIS is declared. The alarm condition is reported in the ring control port and is optionally returned to the source node by signaling the corresponding Transmit High Order Path Processor in the local SPECTRA 1x2488 to insert a path RDI indication. Alternatively, if in-band error reporting is enabled, the path RDI bit in DROP bus G1 byte is set to indicate the PAIS alarm to the THPP in a remote SPECTRA 1x2488.

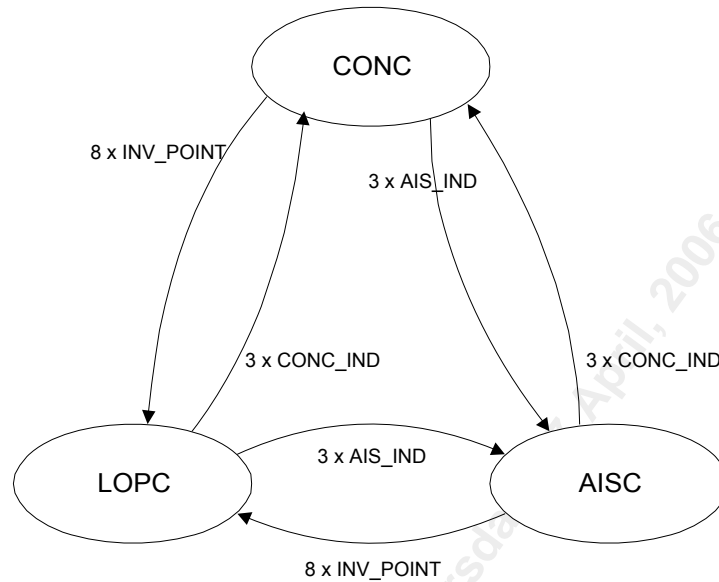
10.5.2 Concatenation Pointer Interpreter State Machine

The concatenation pointer interpreter extracts and validates the H1 and H2 concatenation bytes. The concatenation pointer interpreter is a time multiplexed finite state machine that can process any mix of STS-1/3c/12c/48c (AU3/4/4-4c/4-16c) pointers. Within the pointer interpretation algorithm three states are defined as shown below.

- CONC_state (CONC)
- AISC_state (AISC)
- LOPC_state (LOPC)

The transitions between the states will be consecutive events (indications) For example, it takes three consecutive AIS indications to go from the CONC_state to the AISC_state. The kind and number of consecutive indications activating a transition is chosen such that the behavior is stable and insensitive to low BER.

Figure 12 Concatenation Pointer Interpretation State Diagram



The following events (indications) are defined:

CONC_IND: Enabled NDF + dd + “1111111111”

AIS_IND: H1 = FFh + H2 = FFh

INV_POINT: Not any of the above (i.e.: not CONC_IND and not AIS_IND)

Notes

1. Enabled NDF is defined as the following bit patterns: 1001, 0001, 1101, 1011, and 1000.
2. The remaining eleven NDF bit patterns (0000, 0010, 0011, 0100, 0101, 0110, 0111, 1010, 1100, 1110, and 1111) result in an INV_POINT indication.
3. “dd” bits are unspecified in SONET/SDH.

The transitions indicated in the state diagram are defined as follows:

3 X CONC_IND: Three consecutive CONC indications

3 x AIS_IND: Three consecutive AIS indications

8 x INV_POINT: Eight consecutive INV_POINT indications

Note

1. “Consecutive event counters” are reset to zero on a change of state.

LOPC is declared on entry to the LOPC_state after eight consecutive pointers with values other than concatenation indications. Path AIS is optionally inserted in the DROP bus when LOPC is declared. The alarm condition is reported in the ring control port and is optionally returned to the source node by signaling the corresponding Transmit High Order Path Processor in the local SPECTRA 1x2488 to insert a path RDI indication. Alternatively, if in-band error reporting is enabled, the path RDI bit in DROP bus G1 byte is set to indicate the LOP alarm to the THPP in a remote SPECTRA 1x2488.

PAISC is declared on entry to the AISC_state after three consecutive AIS indications. Path AIS is optionally inserted in the DROP bus when AISC is declared. The alarm condition is reported in the ring control port and is optionally returned to the source node by signaling the corresponding Transmit High Order Path Processor in the local SPECTRA 1x2488 to insert a path RDI indication. Alternatively, if in-band error reporting is enabled, the path RDI bit in DROP bus G1 byte is set to indicate the PAIS alarm to the THPP in a remote SPECTRA 1x2488.

10.5.3 Error Monitoring

The RHPP calculates the path BIP-8 error detection codes on the STS-1/3c/12c/48c (VC-3/4/4-4c/4-16c) payloads. When processing a VC-3 payload, the two fixed stuff columns can be excluded from the BIP-8 calculation if the FSBIPDIS register bit is set. The path BIP-8 code is based on a bit interleaved parity calculation using even parity. The calculated BIP-8 codes are compared with the BIP-8 codes extracted from the B3 byte of each constituent STS (VC) payload of the following frame. Any differences indicate a path BIP-8 error. The RHPP accumulates path BIP-8 errors in a microprocessor readable 16-bit saturating counter (up to 1 second accumulation time). Optionally, block BIP-8 errors can be accumulated.

The RHPP extracts the path remote error indication (REI-P) errors from bits 1, 2, 3, and 4 of the path status byte (G1) and accumulates them in a microprocessor readable 16-bit saturating counter (up to 1 second accumulation time). Optionally, block REI errors can be accumulated.

The RHPP monitors the path signal label byte (C2) payload to validate change in the accepted path signal label (APSL). The same PSL byte must be received for three or five consecutive frames (selectable by the PSL5 bit in the configuration register) before being considered accepted.

The RHPP also monitors the path signal label byte (C2) to detect the path payload label unstable (PLU-P) defect. A PSL unstable counter is incremented every time the received PSL differs from the previously received PSL (an erroneous PSL will cause the counter to be increment twice, once when the erroneous PSL is received and once when the error free PSL is received). The PSL unstable counter is reset when the same PSL value is received for three or five consecutive frames (selectable by the PSL5 bit in the configuration register). PLU-P is declared when the PSL unstable counter reaches five. PLU-P is removed when the PSL unstable counter is reset.

The RHPP also monitors the path signal label byte (C2) to detect the path payload label mismatch (PLM-P) defect. PLM-P is declared when the accepted PSL does not match the expected PSL listed in Table 3. Conversely, PLM-P is removed when the accepted PSL matches the expected PSL listed in Table 3. The accepted PSL is the same PSL value received for three

or five consecutive frames (selectable by the PSL5 bit in the configuration register). The expected PSL is a programmable PSL value.

The RHPP also monitors the path signal label byte (C2) to detect the path unequipped (UNEQ-P) defect. UNEQ-P is declared when the accepted PSL is 00H and the expected PSL is not 00H. UNEQ-P is removed when the accepted PSL is not 00H or when the accepted PSL is 00H and the expected PSL is 00H. The accepted PSL is the same PSL value received for three or five consecutive frames (selectable by the PSL5 bit in the configuration register). The expected PSL is a register programmable PSL value.

The RHPP also monitors the path signal label byte (C2) to detect path payload defect indication (PDI-P) defect. PDI-P is declared when the accepted PSL is a PDI defect that matches the expected PDI defect. PDI-P is removed when the accepted PSL is not a PDI defect or when the accepted PSL is a PDI defect that does not match the expected PDI defect. The accepted PSL is the same PSL value received for three or five consecutive frames (selectable by the PSL5 bit in the configuration register). Table 4 summarizes the expected PDI defect based on the programmable PDI and PDI range register values.

Table 3 PLM-P, UNEQ-P, and PDI-P Defects Declaration

Expected PSL		Accepted PSL		PLM-P	UNEQ-P	PDI-P	
00	Unequipped	00	Unequipped	Match	Inactive	Inactive	
		01	Equipped non specific	Mismatch	Inactive	Inactive	
		02-E0 FD-FF	Equipped specific	Mismatch	Inactive	Inactive	
		E1-FC	PDI	=expPDI	Mismatch	Inactive	Active
				!=expPDI	Mismatch	Inactive	Inactive
01	Equipped non specific	00	Unequipped	Mismatch	Active	Inactive	
		01	Equipped non specific	Match	Inactive	Inactive	
		02-E0 FD-FF	Equipped specific	Match	Inactive	Inactive	
		E1-FC	PDI	=expPDI	Match	Inactive	Active
				!=expPDI	Mismatch	Inactive	Inactive
02-FF	Equipped specific PDI	00	Unequipped	Mismatch	Active	Inactive	
		01	Equipped non specific	Match	Inactive	Inactive	
		02-E0 FD-FF	Equipped specific	=expPSL	Match	Inactive	Inactive
				!=expPSL	Mismatch	Inactive	Inactive
		E1-FC	PDI	=expPDI	Match	Inactive	Active
!=expPDI	Mismatch			Inactive	Inactive		

Table 4 Expected PDI Defect Based on PDI and PDI Range Values

PDI Register Value	PDI Range Register Value	Exp PDI	PDI Register Value	PDI Range Register Value	Exp PDI
00000	Disable	None	01111	Disable	EF
	Enable			Enable	E1-EF
00001	Disable	E1	10000	Disable	F0
	Enable	E1-E1		Enable	E1-F0
00010	Disable	E2	10001	Disable	F1
	Enable	E1-E2		Enable	E1-F1
00011	Disable	E3	10010	Disable	F2
	Enable	E1-E3		Enable	E1-F2
00100	Disable	E4	10011	Disable	F3
	Enable	E1-E4		Enable	E1-F3
00101	Disable	E5	10100	Disable	F4
	Enable	E1-E5		Enable	E1-F4
00110	Disable	E6	10101	Disable	F5
	Enable	E1-E6		Enable	E1-F5
00111	Disable	E7	10110	Disable	F6
	Enable	E1-E7		Enable	E1-F6
01000	Disable	E8	10111	Disable	F7
	Enable	E1-E8		Enable	E1-F7
01001	Disable	E9	11000	Disable	F8
	Enable	E1-E9		Enable	E1-F8
01010	Disable	EA	11001	Disable	F9
	Enable	E1-EA		Enable	E1-F9
01011	Disable	EB	11010	Disable	FA
	Enable	E1-EB		Enable	E1-FA
01100	Disable	EC	11011	Disable	FB
	Enable	E1-EC		Enable	E1-FB
01101	Disable	ED	11100	Disable	FC
	Enable	E1-ED		Enable	E1-FC
01110	Disable	EE			
	Enable	E1-EE			

The RHPP monitors bits 5, 6, and 7 of the path status byte (G1) to detect the path remote defect indication (RDI-P) and path enhanced remote defect indication (ERDI-P) defects.

RDI-P is declared when bit 5 of the G1 byte is set high for five or ten consecutive frames (selectable by the PRDI10 bit in the configuration register). RDI-P is removed when bit 5 of the G1 byte is set low for five or ten consecutive frames. ERDI-P is declared when the same 010, 100, 101, 110, or 111 pattern is detected in bits 5, 6, and 7 of the G1 byte for five or ten consecutive frames (selectable by the PRDI10 bit in the configuration register). ERDI-P is removed when the same 000, 001, or 011 pattern is detected in bits 5, 6, and 7 of the G1 byte for five or ten consecutive frames.

The RHPP extracts and serially outputs all of the path overhead (POH) bytes on the time multiplexed RPOH port. The POH bytes are output in the same order that they are received (J1, B3, C2, G1, F2, H4, Z3, Z4, and N1). RPOHCLK is the generated output clock used to provide timing for the RPOH port. RPOHCLK is a nominal 20.736 MHz clock generated by gapping a 25.92 MHz clock. Sampling RPOHFP high with the rising edge of RPOHCLK identifies the MSB of the first J1 byte.

10.6 Transmit Line Interface

The Transmit Line Interface allows the SPECTRA 1x2488 device to directly interface with optical modules (ODLs) or other medium interfaces. This block performs clock synthesis and performs parallel to serial conversion of the incoming outgoing 2488.32 Mbit/s data stream or 4x622.08 Mbit/s data streams.

The transmit clock is synthesized from a 155.52 MHz reference in STS-48/STM-16 mode or a 77.76/155.52 MHz reference in Quad STS-12/STM-4 mode. Jitter on the reference clock must be less than 1 psec RMS for single mode and 4 psec RMS for quad mode in a 12KHz – 20MHz band for the SPECTRA 1x2488 to comply with GR-253-CORE intrinsic jitter specification.

The REFCLK reference should be within ± 20 ppm to meet the SONET free-run accuracy requirements specified in GR-253-CORE.

The Parallel to Serial Converter (PISO) converts the transmit byte serial stream to a bit serial stream. The transmit bit serial stream appears on the TXD_P/ TXD_N PECL outputs in STS-48/STM-16 mode or TXD1-4_N, P in quad STS-12/STM4 mode.

An unframed PRBS pattern can optionally be inserted on the transmit line. The PRBS is based on the $X^{23} + X^{18} + 1$ polynomial (PRBS²³) and is implemented by a Linear Feedback Shift Register (LFSR).

10.7 SONET/SDH Transmit Line Interface (STLI)

The SONET/SDH transmit line interface block properly formats the outgoing 2488 Mbit/s data stream.

10.8 Transmit Regenerator Multiplexer Processor (TRMP)

The Transmit Regenerator and Multiplexer Processor (TRMP) block inserts the transport overhead bytes in the transmit data stream.

The TRMP accumulates the line BIP-8 errors detected by the RRMP during the last receive frame. The line BIP-8 errors are returned to the far end as line remote error indication (REI-L) during the next transmit frame. Because the RRMP and the TRMP are in two different clock domains, zero, one or two line BIP-8 errors can be accumulated per transmit frame. The minimum value between the maximum REI-L listed in Table 5 and the accumulator count is returned as the line REI-L in the M1 byte of STS-1 (STM-0) #3. Optionally, block BIP-24 errors can be accumulated.

Table 5 Maximum Line REI Errors Per Transmit Frame

SONET/SDH	Maximum Single BIP-8 Errors LREIBLK=0	Maximum Block BIP-24 Errors LREIBLK=1
STS-3/STM-1	0001 1000	0000 0001
STS-12/STM-4	0110 0000	0000 0100
STS-48/STM-16	1111 1111	0001 0000

The TRMP serially inputs all the transport overhead (TOH) bytes from the TTOH port. The TOH bytes must be input in the same order that they are transmitted (A1, A2, J0/Z0, B1, E1, F1, D1-D3, H1-H3, B2, K1, K2, D4-D12, S1/Z1, Z2/M1/Z2, and E2). TOHCLK is the generated output clock used to provide timing for the TTOH port. TOHCLK is a nominal 20.736 MHz clock generated by gapping a 25.92 MHz clock. Sampling TTOHFP high with the rising edge of TOHCLK identifies the MSB of the first A1 byte. The TTOHEN port is used to validate the byte insertion on a byte per byte basis. When TTOHEN is sampled high on the MSB of the serial byte, the serial byte is inserted. When TTOHEN is sampled low on the MSB of the serial byte, the serial byte is discarded.

Figure 13 STS-12 (STM-4) on TTOH 1-4or STS-48 (STM-16) on TTOH1

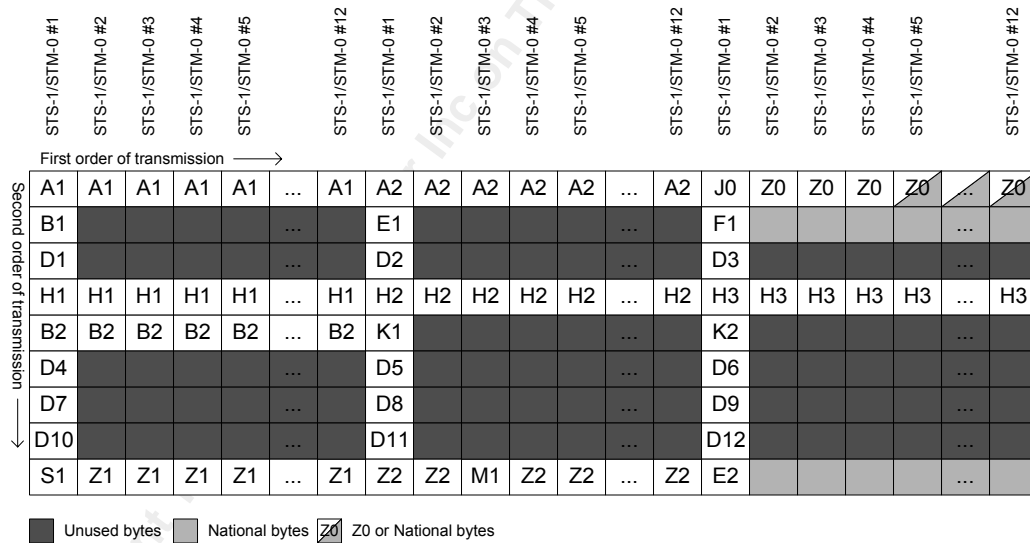
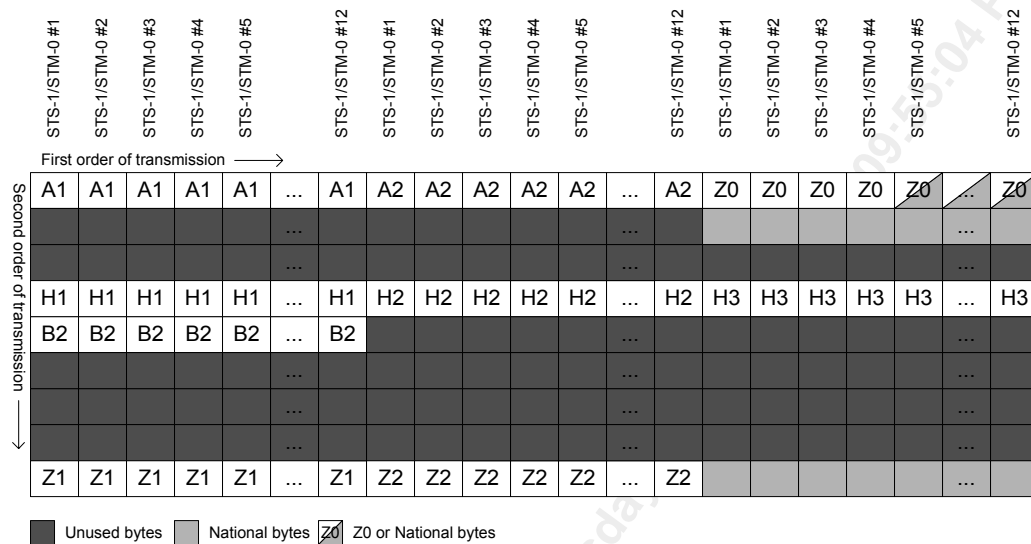


Figure 14 STS-48 (STM-16) on TTOH2-4



The TRMP serially inputs the line DCC bytes from the TLD and the TSLD ports. The line DCC bytes (D4-D12) are input from TLD. TSLD is selectable to input either the line DCC bytes (D4-D12) or the section DCC bytes (D1-D3). TLDCLK is the generated output clock used to provide timing for the TLD port. TLDCLK is a nominal 576 kHz clock. TSLDCLK is the generated output clock used to provide timing for the TSLD port. If TSLD carries the line DCC, TSLDCLK is a nominal 576 kHz clock or if TSLD carries the section DCC, TSLDCLK is a nominal 192 kHz clock. Sampling TTOHFP high identifies the MSB of the first DCC byte on TLD (D4) and TSLD (D1 or D4).

The TRMP also inserts most of the transport overhead bytes from internal registers. Since there are multiple sources for the same overhead byte, the TOH bytes must be prioritized according to Table 6 before being inserted into the data stream.

Table 6 TOH Insertion Priority

Byte	Highest Priority					Lowest Priority
A1		76h (A1ERR=1)	F6h (A1A2EN=1)	TTOH (TTOHEN=1)		A1 pass through
A2			28h (A1A2EN=1)	TTOH (TTOHEN=1)		A2 pass through
J0	STS-1/STM-0 # (J0Z0INCEN=1)	J0[7:0] (TRACEEN=1)	J0V (J0REGEN=1)	TTOH (TTOHEN=1)		J0 pass through
Z0	STS-1/STM-0 # (J0Z0INCEN=1)		Z0V (Z0REGEN=1)	TTOH (TTOHEN=1)		Z0 pass through
B1				Calculated B1 XOR TTOH (TTOHEN=1 & B1MASKEN=1)		Calculated B1 XOR B1MASK
				TTOH (TTOHEN=1 & B1MASKEN=0)		

Byte	Highest Priority						Lowest Priority
E1			E1V (E1REGEN=1)	TTOH (TTOHEN=1)			E1 pass through
F1			F1V (F1REGEN=1)	TTOH (TTOHEN=1)			F1 pass through
D1-D3			D1D3V (D1D3REGEN=1)	TTOH (TTOHEN=1)	TSLD (TSLDS EL=0 & TSLDE N=1)		D1-D3 pass through
H1				H1 pass through XOR TTOH (TTOHEN=1 & HMASKEN=1)			H1 pass through XOR H1MASK
				TTOH (TTOHEN=1 & HMASKEN=0)			
H2				H2 pass through XOR TTOH (TTOHEN=1 & HMASKEN=1)			H2 pass through XOR H2MASK
				TTOH (TTOHEN=1 & HMASKEN=0)			
H3				TTOH (TTOHEN=1)			H3 pass through
B2				Calculated B2 XOR TTOH (TTOHEN=1 & B2MASKEN=1)			Calculated B2 XOR B2MASK
				TTOH (TTOHEN=1 & B2MASKEN=0)			
K1		APS[15:8] (APSEN=1)	K1V (K1K2REGEN=1)	TTOH (TTOHEN=1)			K1 pass through
K2		APS[7:0] (APSEN=1)	K2V (K1K2REGEN=1)	TTOH (TTOHEN=1)			K2 pass through
D4-D12			D4D12V (D4D12REGEN=1)	TTOH (TTOHEN=1)	TSLD (TSLDS EL=1 & TSLDE N=1)	TLD (TLDE N=1)	D4-D12 pass through
S1			S1V (S1REGEN=1)	TTOH (TTOHEN=1)			S1 pass through
Z1			Z1V (Z1REGEN=1)	TTOH (TTOHEN=1)			Z1 pass through
Z2			Z2V (Z2REGEN=1)	TTOH (TTOHEN=1)			Z2 pass through
M1			LREI[7:0] (LREIEN=1)	TTOH (TTOHEN=1)			M1 pass through
E2			E2V (E2REGEN=1)	TTOH (TTOHEN=1)			E2 pass through
National			NATIONALV (NATIONALEN=1)	TTOH (TTOHEN=1)			National pass through
Unused			UNUSEDV (UNUSEDEN=1)	TTOH (TTOHEN=1)			Unused pass through

Byte	Highest Priority						Lowest Priority
PLD							PLD pass through

The Z0DEF register bit defines the Z0/NATIONAL growth bytes for row #1. When Z0DEF is set to logic 1, the Z0/NATIONAL bytes are defined according to ITU. When Z0DEF is set to logic 0, the Z0/NATIONAL bytes are defined according to BELLCORE.

Table 7 Z0/National Growth Bytes Definition For Row #1

TRMP Mode	Type	Z0DEF = 1	Z0DEF = 0
STS-3/STM-1	Z0	None	From STS-1/STM-0 #2 to #3
	National	From STS-1/STM-0 #2 to #3	None
STS-12/STM-4 master mode	Z0	From STS-1/STM-0 #2 to #4	From STS-1/STM-0 #2 to #12
	National	From STS-1/STM-0 #5 to #12	None
STS-48/STM-16 slave mode	Z0	From STS-1/STM-0 #1 to #4	From STS-1/STM-0 #1 to #12
	National	From STS-1/STM-0 #5 to #12	None

The H1, H2, B1, and B2 bytes input from the TTOH port are inserted or are used as a mask to toggle bits in the corresponding H1, H2, B1, and B2 bytes depending on the HMASK, B1MASK, and B2MASK register bits. When the HMASK, B1MASK, or B2MASK register bit is set low and TTOHEN is sampled high on the MSB of the serial H1, H2, B1, or B2 byte, the serial byte is inserted in place of the corresponding byte. When the HMASK, B1MASK, or B2MASK register bit is set high and TTOHEN is sampled high on the MSB of the serial H1, H2, B1, or B2 byte, the serial byte is XORed with the corresponding path payload pointer (already in the data stream) or the calculated BIP-8 byte before being inserted.

The TRMP inserts the APS bytes detected by the RRMP during the last receive frame. The APS bytes are returned to the far end by the TRMP during the next transmit frame. Because the RRMP and the TRMP are in two different clock domains, zero, one or two APS bytes can be sampled per transmit frame. The last received APS bytes are transmitted.

The TRMP inserts the line remote defect indication (RDI-L) into the data stream. When line RDI must be inserted, the '110' pattern is inserted in bits 6, 7, and 8 of the K2 byte of STS-1 (STM-0) #1. Line RDI insertion has priority over TOH byte insertion. The TRMP also inserts the line alarm indication signal (AIS-L) into the data stream. When line AIS must be inserted, all ones are inserted in the line overhead and in the payload (all bytes of the frame except the section overhead bytes). Line AIS insertion has priority over line RDI insertion and TOH byte insertion.

The TRMP calculates the line BIP-8 error detection codes on the transmit data stream. One line BIP-8 error detection code is calculated for each of the constituent STS-1 (STM-0). The line BIP-8 byte is calculated on the unscrambled bytes of the STS-1 (STM-0) except for the nine SOH bytes. The line BIP-8 byte is based on a bit interleaved parity calculation using even parity. For each STS-1 (STM-0), the calculated BIP-8 error detection code is inserted in the B2 byte of the following frame before scrambling.

The TRMP optionally scrambles the transmit data stream.

The TRMP calculates the section BIP-8 error detection code on the transmit data stream. The section BIP-8 byte is calculated on the scrambled bytes of the complete frame. The section BIP-8 byte is based on a bit interleaved parity calculation using even parity. The calculated BIP-8 error detection code is inserted in the B1 byte of STS-1 (STM-0) #1 of the following frame before scrambling.

10.9 Transmit Trail Trace Processor (TTTP)

The Transmit Trail Trace Processor (TTTP) block generates the trail trace messages to be transmitted. The TTTP can generate a 16 or 64-byte trail trace message. The message is sourced from an internal RAM and must have been previously written by an external microprocessor. Optionally, the trail trace message can be reduced to a single continuous trail trace byte.

The trail trace message must include synchronization because the TTTP block does not add synchronization. The synchronization mechanism for a 16-byte message is different from a 64-byte message. When the message is 16 bytes, synchronization is based on the MSB of the trail trace byte. Only one of the 16 bytes has MSB set high. The byte with its MSB set high is considered the first byte of the message. When the message is 64 bytes, the synchronization is based on the CR/LF (CR = 0Dh, LF = 0Ah) characters of trail trace message. The byte following the CR/LF bytes is considered the first byte of the message.

To avoid generating an unstable/mismatch message, the TTTP forces the message to all zeros while the microprocessor updates the internal RAM.

10.10 Transmit High Order Path Processor (THPP)

The Transmit High Order Path Processor (THPP) block inserts the path overhead bytes in the transmit data stream.

The THPP accumulates the path BIP-8 errors detected by the RHPP during the last receive frame. The path BIP-8 errors are returned to the far end as path remote error indication (REI-P) during the next transmit frame. Because the RHPP and the THPP are in two different clock domains, zero, one, or two path BIP-8 errors can be accumulated for each transmit frame. The minimum value between the maximum REI-P and the accumulator count is returned as the path REI in the G1 byte. Optionally, block BIP-8 errors can be accumulated.

The THPP serially inputs all of the path overhead (POH) bytes from the TPOH port. The POH bytes must be input in the same order that they are transmitted (J1, B3, C2, G1, F2, H4, F3, K3, and N1). TPOHCLK is the generated output clock used to provide timing for the TPOH port. TPOHCLK is a nominal 20.736 MHz clock generated by gapping a 25.92 MHz clock. Sampling TPOHFP high with the rising edge of TPOHCLK identifies the MSB of the first J1 byte. TPOHEN port is used to validate the byte insertion on a byte per byte basis. When TPOHEN is sampled high on the MSB of the serial byte, the serial byte is inserted. When TPOHEN is sampled low on the MSB of the serial byte, the serial byte is discarded.

The THPP calculates the path BIP-8 error detection code on the transmit data stream. The path BIP-8 byte is calculated on all the payload bytes. The path BIP-8 byte is based on a bit interleaved parity calculation using even parity. The calculated BIP-8 error detection code is inserted in the B3 byte of the following frame.

Table 8 POH Insertion Priority

Byte	Highest Priority					Lowest Priority
J1	J1 pass through (TDIS=1 OR PAIS=1)	Path trace buffer (PTBJ1=1)	J1 ind. reg. (SRCJ1=1)		TPOH (TPOHEN=1)	J1 pass through
B3	B3 pass through (TDIS=1 OR PAIS=1)			Calculated B3 XOR TPOH (TPOHEN=1 AND B3MASK=1)	TPOH (TPOHEN=1)	Calculated B3 XOR B3MASK
C2	C2 pass through (TDIS=1 OR PAIS=1)	C2 ind. reg. (SRCC2=1)			TPOH (TPOHEN=1)	C2 pass through
G1	G1 pass through (TDIS=1 OR PAIS=1 OR IBER=1)	PRDI[2:0] and PREI[3:0] (ENG1REC=1)	G1 ind. reg. (SRCG1=1)		TPOH (TPOHEN=1)	G1 pass through
F2	F2 pass through (TDIS=1 OR PAIS=1)	F2 ind. reg. (SRCF2=1)			TPOH (TPOHEN=1)	F2 pass through
H4	H4 pass through (TDIS=1 OR PAIS=1)	H4 pass through XOR H4 ind. reg. (SRCH4=1 AND H4REGMASK=1)	H4 ind. reg. (SRCH4=1)	H4 pass through XOR TPOH (TPOHEN=1 AND H4MASK=1)	TPOH (TPOHEN=1)	H4 pass through
Z3	Z3 pass through (TDIS=1 OR PAIS=1)	Z3 ind. reg. (SRCZ3=1)			TPOH (TPOHEN=1)	Z3 pass through

Byte	Highest Priority					Lowest Priority
Z4	Z4 pass through (TDIS=1 OR PAIS=1)	Z4 ind. reg. (SRCZ4=1)			TPOH (TPOHEN=1)	Z4 pass through
Z5	Z5 pass through (TDIS=1 OR PAIS=1)	Z5 ind. reg. (SRCZ5=1)			TPOH (TPOHEN=1)	Z5 pass through

10.11 Transmit Add TelecomBus Pointer Interpreter (TAPI)

The Transmit Add Telecom Bus Pointer Interpreter (TAPI) block takes a SONET/SDH data stream from the ADD TelecomBus bus, interprets the STS-1/3c/12c/48c (AU3/4/4-4c/4-16c) pointers, indicates the J1 byte locations, and detects alarm conditions (e.g. PAIS).

The TAPI block allows the SPECTRA 1x2488 to operate with TelecomBus like back plane systems that do not indicate the J1 byte positions. The TAPI block can be enabled using the TAPIDIS bit in the SPECTRA 1x2488 0x0002 register. When enabled, the TAPI takes a SONET/SDH data stream from the System Side Interface block, processes the stream, and identifies the J1 byte locations.

10.12 SONET/SDH Virtual Container Aligner (SVCA)

The SONET/SDH Virtual Container Aligner (SVCA) block aligns the payload data from an incoming SONET/SDH data stream to a new transport frame reference. The alignment is accomplished by recalculating the STS (AU) payload pointer value based on the offset between the transport overhead of the incoming data stream and that of the outgoing data stream.

Frequency offsets (due to plesiochronous network boundaries or the loss of a primary reference timing source) and phase differences (due to normal network operation) between the incoming data stream and the outgoing data stream are accommodated by pointer adjustments in the outgoing data stream.

Elastic Store

The Elastic Store performs rate adaptation between the line side interface and the system side interface. The entire incoming payload, including path overhead bytes, is written into a first-in-first-out (FIFO) buffer at the incoming byte rate. Each FIFO word stores a payload data byte and a 1-bit tag labeling the J1 byte. Incoming pointer justifications are accommodated by writing into the FIFO during the negative stuff opportunity byte or by not writing during the positive stuff opportunity byte. Data is read out of the FIFO in the Elastic Store block at the outgoing byte rate by the Pointer Generator. Analogously, outgoing pointer justifications are accommodated by reading from the FIFO during the negative stuff opportunity byte or by not reading it during the positive stuff opportunity byte.

The FIFO read and write addresses are monitored. Pointer justification requests will be made to the Pointer Generator based on the proximity of the addresses relative to FIFO thresholds. The Pointer Generator schedules a pointer increment event if the FIFO depth is below the lower threshold and a pointer decrement event if the depth is above the upper threshold. FIFO underflow and overflow events are detected and path AIS is optionally inserted in the outgoing data stream for three frames to alert downstream elements of data corruption.

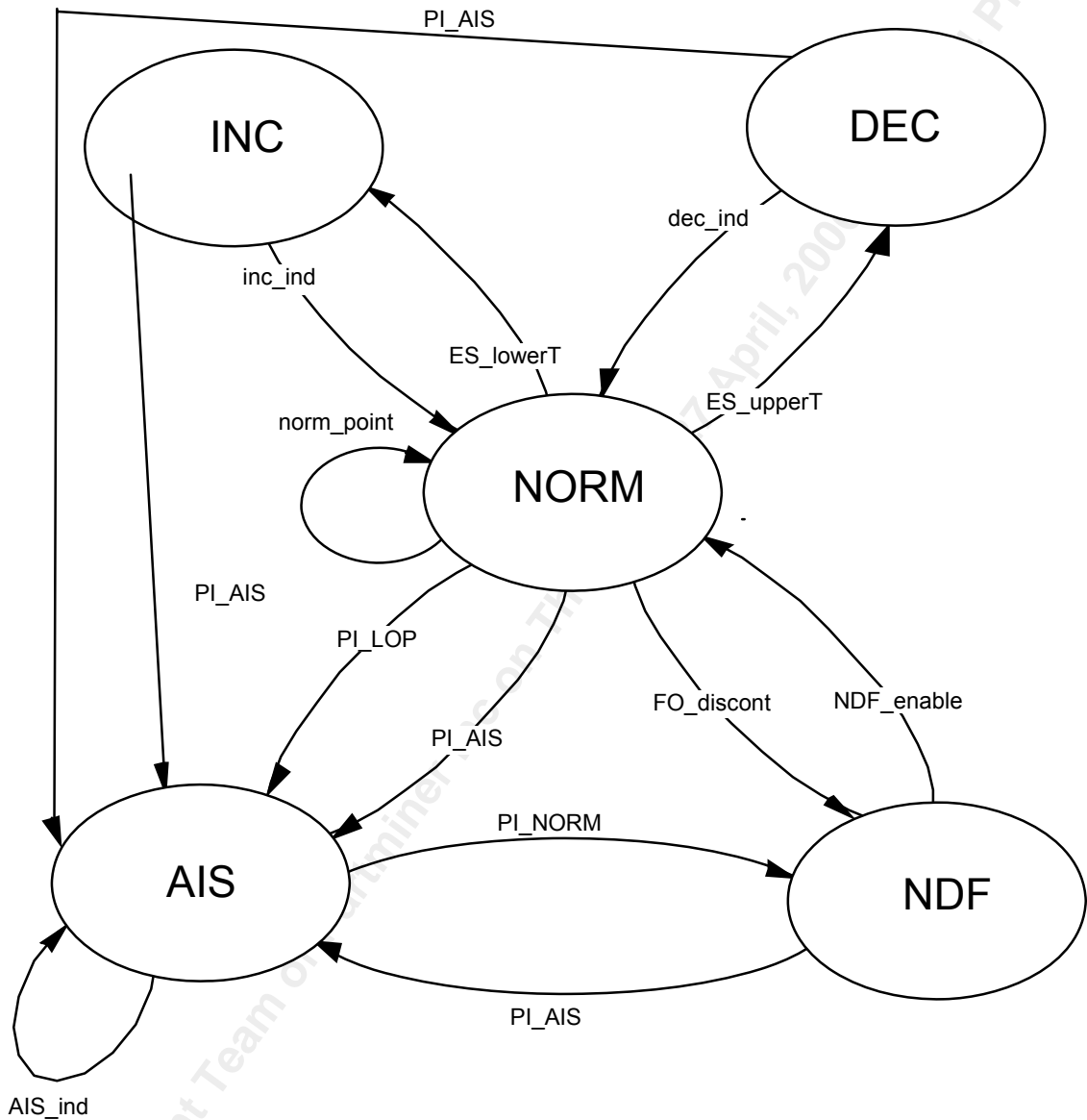
Pointer Generator

The Pointer Generator generates the H1 and H2 bytes to identify the location of the path overhead byte (J1) and all of the synchronous payload envelope bytes (SPE) of the constituent STS-1/3c/12c/48c (VC3/4/4-4c/4-16c) payloads. The pointer generator is a time multiplexed finite state machine that can process any mixed of STS-1/3c/12c/48c (AU3/4/4-4c/4-16c) pointers. Within the pointer generator algorithm, five states are defined as shown below:

- NORM_state (NORM)
- AIS_state (AIS)
- NDF_state (NDF)
- INC_state (INC)
- DEC_state (DEC)

The transition from the NORM to the INC, DEC, and NDF states are initiated by events in the Elastic Store (ES) block. The transition to and from the AIS state is controlled by the pointer interpreter (PI) in the Receive High Order Path Processor block. The transitions from INC, DEC, and NDF states to the NORM state occur autonomously with the generation of special pointer patterns.

Figure 15 Pointer Generation State Diagram



The following events, indicated in the state diagram, are defined:

ES_lowerT: ES filling is below the lower threshold + previous inc_ind, dec_ind or NDF_enable more than three frames ago.

ES_upperT: ES filling is above the upper threshold + previous inc_ind, dec_ind or NDF_enable more than three frames ago.

FO_discont: Frame offset discontinuity

PI_AIS: PI in AIS state

PI_LOP: PI in LOP state

PI_NORM: PI in NORM state

Note

1. A frame offset discontinuity occurs if an incoming NDF enabled is received, or if an ES overflow/underflow occurred.

The autonomous transitions indicated in the state diagram are defined as follows:

inc_ind: Transmit the pointer with NDF disabled and inverted I bits, transmit a stuff byte in the byte after H3, increment active offset.

dec_ind: Transmit the pointer with NDF disabled and inverted D bits, transmit a data byte in the H3 byte, decrement active offset.

NDF_enable: Accept new offset as active offset, transmit the pointer with NDF enabled and new offset.

norm_point: Transmit the pointer with NDF disabled and active offset.

AIS_ind: Active offset is undefined; transmit an all ones pointer and payload.

Notes:

1. Active offset is defined as the phase of the SPE (VC).
2. The SS bits are undefined in SONET, and has bit pattern 10 in SDH
3. Enabled NDF is defined as the bit pattern 1001.
4. Disabled NDF is defined as the bit pattern 0110.

10.13 SONET/SDH PRBS Generator and Monitor (PRGM)

The SONET/SDH Pseudo-Random bit sequence Generator and Monitor (PRGM) block generates and monitors an unframed $2^{23}-1$ payload test sequence on the TelecomBus ADD or DROP bus.

The PRGM can generate PRBS in an STS-1/3c/12c/48c (AU3/4/4-4c/4-16c) payload. The path overhead column, the fixed stuff columns #2 to #4 in an STS-12c (AU-4-4c) payload, the fixed stuff columns #2 to 16 in an STS-48c (AU-4-16c) payload, and the fixed stuff column #30 and #59 in an STS-1 (AU3) payload do not contain any PRBS data. The PRGM generator can be configured to preserve payload framing and overwrite the payload bytes or can be configured to autonomously generate payload framing and overwrite the payload bytes.

When processing a concatenated STS-48 (STM-16) payload, the master PRGM co-ordinates the distributed PRBS generation between itself and the slave PRGMs. Each PRGM generates one quarter of the complete PRBS sequence. To ensure that the slave PRGMs are synchronized with the master PRGM, a signature is continuously broadcast by the master PRGM to allow the slave PRGMs to check their relative states. A signature mismatch is flagged as an out-of-synch state by the slave PRGM. A re-synchronization of the PRBS generation must be initiated by the master PRGM (under software control).

The PRBS monitor of the PRGM block monitors the recovered payload data for the presence of an unframed $2^{23}-1$ test sequence and accumulates pattern errors detected based on this pseudo-random pattern. The PRGM declares synchronization when a sequence of 32 correct pseudo-random patterns (bytes) are detected consecutively. Pattern errors are only counted when the PRGM is synchronized with the input sequence. When 16 consecutive pattern errors are detected, the PRGM will fall out of synchronization and will continuously attempt to re-synchronize to the input sequence until it is successful.

When processing a concatenated STS-48 (STM-16) payload, the master PRGM and the slave PRGMs independently monitor one quarter of the complete PRBS sequence. To ensure that the slave PRGMs are synchronized with the master PRGM, the same signature matching will be performed as described for the PRBS generation.

A maskable interrupt is activated to indicate any change in the synchronization status.

10.14 SONET/SDH Time-Slot Interchange (STSI)

The SONET/SDH Time-Slot Interchange (STSI) block grooms the SONET/SDH data stream by performing STS-1 (STM-0) (time-slots) switching and TelecomBus (space-slots) switching. The TelecomBus ADD or DROP buses treat an STS-12/12c (STM-4/AU4-4c) data stream as twelve independent time-division multiplexed paths. The twelve time-slots correspond to the twelve constituent STS-1 (STM-0) paths. Table 9 shows the relationship between the STS-1 (STM-0) path numbering and the STS-12/12c (STM-4/AU4-4c) data stream. The STS-1 (STM-0) paths are numbered according to the order of transmission (reception) and the STS-12/12c (STM-4/AU4-4c) data stream is numbered according to the STS-1/3c/12c (AU3/AU4/AU4-4c) groups.

Table 9 STS-1 (STM-0) Path Numbering For An STS-12/12c (STM-4/AU4-4c)

STS-1 (STM-0) Path # (Tx/Rx Order)	Telecom-Bus	STS-12/12c (STM-4/AU4-4c)
1	1-4	STS-1 (AU3) #1 or STS-3c (AU4) #1 or STS-12 (AU4-4c) #1
2	1-4	STS-1 (AU3) #2 or STS-3c (AU4) #2 or STS-12 (AU4-4c) #1
3	1-4	STS-1 (AU3) #3 or STS-3c (AU4) #3 or STS-12 (AU4-4c) #1
4	1-4	STS-1 (AU3) #4 or STS-3c (AU4) #4 or STS-12 (AU4-4c) #1
5	1-4	STS-1 (AU3) #5 or STS-3c (AU4) #1 or STS-12 (AU4-4c) #1
6	1-4	STS-1 (AU3) #6 or STS-3c (AU4) #2 or STS-12 (AU4-4c) #1
7	1-4	STS-1 (AU3) #7 or STS-3c (AU4) #3 or STS-12 (AU4-4c) #1
8	1-4	STS-1 (AU3) #8 or STS-3c (AU4) #4 or STS-12 (AU4-4c) #1
9	1-4	STS-1 (AU3) #9 or STS-3c (AU4) #1 or STS-12 (AU4-4c) #1
10	1-4	STS-1 (AU3) #10 or STS-3c (AU4) #2 or STS-12 (AU4-4c) #1
11	1-4	STS-1 (AU3) #11 or STS-3c (AU4) #3 or STS-12 (AU4-4c) #1
12	1-4	STS-1 (AU3) #12 or STS-3c (AU4) #4 or STS-12 (AU4-4c) #1

The switching of STS-1 (STM-0) (time-slots) and TelecomBus buses (space-slots) is arbitrary so any STS-1 (STM-0) can be switched to any of the time-slots and any TelecomBus buses can be switched to any of the space-slots. Concatenated streams such as STS-3c/12c (AU4/AU4-4c) should be switched as a group to keep the constituent STS-1 (STM-0) streams in the correct transmit or receive order within the group.

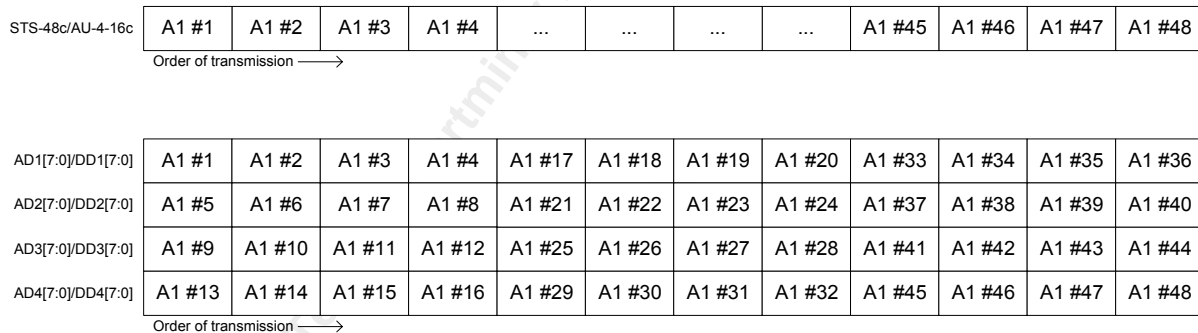
10.15 System Side Interfaces

In single STS-48/STM-16 mode, the line side interface supports a 77.76 MHz 32-bit TelecomBus interface.

For an STS-48 (STM-16) receive stream, the four constituent STS-12/STM-4 #1 – #4 are provided at the DD1[7:0], DD2[7:0], DD3[7:0], and DD4[7:0] TelecomBus DROP buses respectively. For an STS-48c (AU4-4c) receive stream, the concatenated STS-48 (STM-16) is provided (4 byte interleaved) at the DD1[7:0], DD2[7:0], DD3[7:0], and DD4[7:0] TelecomBus DROP buses. For an STS-48 (STM-16) transmit stream, the four constituent STS-12/STM-4 #1 – #4 are accepted at the AD1[7:0], AD2[7:0], AD3[7:0] and AD4[7:0] TelecomBus ADD buses respectively. For an STS-48c (AU4-16c) transmit stream, the concatenated STS-48 (STM-16) is accepted (4-byte interleaved) at the AD1[7:0], AD2[7:0], AD3[7:0] and AD4[7:0] TelecomBus ADD buses.

Figure 16 shows the 4-byte interleaving for an STS-48c (AU4-16c).

Figure 16 STS-48C (AU4-16c) 4-Byte Interleaving on the 32-Bit TelecomBus



In quad STS-12/STM-4 mode, the line-side interface supports four independent 77.76 MHz 8-bit TelecomBus interfaces. The four TelecomBus interfaces run on the same system clock.

For an STS-12/12c (STM-4/AU4-4c) receive stream, the four independent STS-12/12c (STM-4/AU4-4c) #1 – #4 are provided at the DD1[7:0], DD2[7:0], DD3[7:0] and DD4[7:0] TelecomBus DROP buses respectively. For an STS-12/12c (STM-4/AU4-4c) transmit stream, the four independent STS-12/12c (STM-4/AU4-4c) #1 – #4 are accepted at the AD1[7:0], AD2[7:0], AD3[7:0] and AD4[7:0] TelecomBus ADD buses respectively.

In both modes, the transport frame of the four TelecomBus DROP buses must be aligned with the DFP frame pulse. Only one DFP input is provided for the four TelecomBus DROP buses even in quad STS-12/STM-4 mode. In both modes, the transport frame of the four TelecomBus ADD buses must be aligned (coincident J0/AFP pulses on the associated AJ0J11-4/AFP1-4 signals). The payload data provided on the four TelecomBus ADD buses experience identical delays and the byte sequencing integrity is thus preserved.

The TelecomBus is very flexible and can support a wide range of system backplane architectures. Table 10 shows the system side ADD bus options:

Table 10 System Side ADD Bus Configuration Options

AFPEN Bit	TAPIDIS Bit	APL1-4 Input Pin	AJ0J11-4/ AFP1-4 Input Pin	Comments
0	1	APL marks payload bytes	AJ0J1 marks J0 and J1 positions	TAPI block is bypassed. Ignores V1 indications
0	0	Tied to ground	AJ0J1 marks J0 position only	TAPI block interprets pointers for J1.
0	0	APL marks payload bytes	AJ0J1 marks J0 position only	TAPI block interprets pointers for J1.
0	0	APL marks payload bytes	AJ0J1 marks J0 and J1 positions	TAPI block interprets pointers for J1. Ignores J1 and V1 indications on AJ0J1
1	1	—	—	Not Valid
1	0	Tied to ground	AFP marks first SPE byte position only	TAPI block interprets pointers for J1

10.16 JTAG Test Access Port Interface

The JTAG Test Access Port block provides JTAG support for boundary scan. The standard JTAG EXTEST, SAMPLE, BYPASS, IDCODE, and STCTEST instructions are supported. The SPECTRA 1x2488 identification code is 053320CD hexadecimal.

10.17 Microprocessor Interface

The Microprocessor Interface Block provides the logic required for an interface for the generic microprocessor bus with the normal mode and test mode registers within the SPECTRA 1x2488. Normal mode registers are used during normal operation to configure and monitor the SPECTRA 1x2488. Test mode registers are used to enhance the testability of the SPECTRA 1x2488.

11 Addressing Soft-Errors

Some circuits in today's deep sub-micron processes are susceptible to strikes from alpha particles. These strikes result in soft-errors. For example, direct alpha strikes to embedded memories (including standard 6T and 8T SRAM bit cells) can change the stored information. Although the error rates are extremely small (typically less than one failure per twenty years per megabit of ram) the cumulative system level effect of these errors can be significant if the system contains a large amount of RAM.

Since all semiconductor materials contain trace amounts of radioactivity and can be influenced by high-energy neutrons inherent in cosmic rays, all sub-micron designs must deal with soft-error. The semiconductor industry employs many techniques to address soft-errors. Unfortunately, implementing soft-error handling techniques tends to increase device cost. For example, hardening the semiconductor process to alpha strikes or providing error correction is often more costly than choosing to provide error detection or interrupts to flag soft-errors at the system level.

12 Normal Mode Register Description

Normal mode registers are used to configure and monitor the operation of the SPECTRA 1x2488 and are selected when TRS (A[13]) is low.

Test mode registers are used to enhance the testability of the SPECTRA 1x2488. Refer to Section 13 for information about test registers.

12.1 Register Memory Map

The register set is accessed as shown in the Table 11. In the following section, each register is documented and identified using the register numbers in Table 11. The corresponding memory map address is identified by the address column of the table. Addresses that are not shown are not used and must be treated as reserved.

Table 11 Register Memory Map

REG #	A[12] RX/TX	A[11:10] QUAD	A[9:0]	Register Description
0000H	0	00	000H	SPECTRA 1X2488 Master Configuration
0001H	0	00	001H	SPECTRA 1X2488 Receive Configuration
0002H	0	00	002H	SPECTRA 1X2488 Transmit Configuration
0003H	0	00	003H	SPECTRA 1X2488 Loop Timing Configuration
0004H	0	00	004H	SPECTRA 1X2488 RCLK Gating Control #1 SPECTRA 1X2488
0005H	0	00	005H	SPECTRA 1X2488 RCLK Gating Control #2 SPECTRA 1X2488
0006H	0	00	006H	SPECTRA 1X2488 RCLK Gating Control #3 SPECTRA 1X2488
0007H	0	00	007H	SPECTRA 1X2488 Reserved
0008H	0	00	008H	SPECTRA 1X2488 System Side Line Loop Back #1
0009H	0	00	009H	SPECTRA 1X2488 System Side Line Loop Back #2
000AH	0	00	00AH	SPECTRA 1X2488 System Side Line Loop Back #3
000BH	0	00	00BH	SPECTRA 1X2488 System Side Line Loop Back #4
000CH	0	00	00CH	SPECTRA 1X2488 Reserved
000DH	0	00	00DH	SPECTRA 1X2488 Reserved
000EH	0	00	00EH	SPECTRA 1X2488 Line Activity Monitor
000FH	0	00	00FH	SPECTRA 1X2488 Interrupt Status #0
0010H	0	00	010H	SPECTRA 1X2488 Interrupt Status #1
0011H	0	00	011H	SPECTRA 1X2488 Interrupt Status #2
0012H	0	00	012H	SPECTRA 1X2488 Interrupt Status #3
0013H	0	00	013H	SPECTRA 1X2488 Interrupt Status #4
0014H	0	00	014H	SPECTRA 1X2488 Drop System Configuration
0015H	0	00	015H	SPECTRA 1X2488 Reserved
0016H	0	00	016H	SPECTRA 1X2488 Add System Configuration

REG #	A[12] RX/TX	A[11:10] QUAD	A[9:0]	Register Description
0017H	0	00	017H	SPECTRA 1X2488 Add Parity Interrupt Status
0018H	0	00	018H	SPECTRA 1X2488 System Activity Monitor
0019H	0	00	019H	SPECTRA 1X2488 TAPI Path AIS Configuration
001AH	0	00	01AH	SPECTRA 1X2488 Version ID (MSB)
001BH	0	00	01BH	SPECTRA 1X2488 Chip ID (LSB)
001CH	0	00	001CH	SPECTRA 1X2488 Misc. Config. #1
001DH	0	00	001DH	SPECTRA 1X2488 Misc. Config. #2
001EH	0	00	01EH	SPECTRA 1X2488 Reserved
001FH	0	00	01FH	SPECTRA 1X2488 Free Registers
0020	0	00	020	Rx2488 Analog Interrupt Status
0021H	0	00	021H	Rx2488 Analog Interrupt Control
0022H	0	00	022H	Rx2488 Analog CRU Control
0023H	0	00	023H	Rx2488 Analog CRU Clock Training Configuration and Status
0024-002FH	0	00	024-02FH	Rx2488 Reserved
0030H	0	00	030H	QUAD 622 MABC General Control Register
0031H	0	00	031H	QUAD 622 MABC Control Register
0032H	0	00	032H	Reserved
0033H	0	00	033H	QUAD 622 RX MABC Interrupt Enable Register
0034H	0	00	034H	QUAD 622 RX MABC Interrupt Status Register
0035H	0	XX	035H	QUAD 622 RX MABC Channel Control Register
0036H	0	XX	036H	QUAD 622 RX Channel Data Path Control Register
0037H	0	XX	037H	QUAD 622 Reserved
0038H	0	XX	038H	QUAD 622 Rx Channel Data Interrupt Status Register
0039H	0	XX	039H	Quad 622 Rx Channel Data Path Status Register
003A-003FH	0	XX	03A-03FH	QUAD 622 Reserved
0040H	0	00	040H	SRLI Clock Configuration
0041H	0	00	041H	SRLI Reserved
0042-005FH	0	00	042-05FH	SRLI Reserved
0060H	0	XX	060H	SBER Configuration
0061H	0	XX	061H	SBER Status
0062H	0	XX	062H	SBER Interrupt Enable
0063H	0	XX	063H	SBER Interrupt Status
0064H	0	XX	064H	SBER SF BERM Accumulation Period (LSB)
0065H	0	XX	065H	SBER SF BERM Accumulation Period (MSB)
0066H	0	XX	066H	SBER SF BERM Saturation Threshold (LSB)
0067H	0	XX	067H	SBER SF BERM Saturation Threshold (MSB)
0068H	0	XX	068H	SBER SF BERM Declaring Threshold (LSB)
0069H	0	XX	069H	SBER SF BERM Declaring Threshold (MSB)

REG #	A[12] RX/TX	A[11:10] QUAD	A[9:0]	Register Description
006AH	0	XX	06AH	SBER SF BERM Clearing Threshold (LSB)
006BH	0	XX	06BH	SBER SF BERM Clearing Threshold (MSB)
006CH	0	XX	06CH	SBER SD BERM Accumulation Period (LSB)
006DH	0	XX	06DH	SBER SD BERM Accumulation Period (MSB)
006EH	0	XX	06EH	SBER SD BERM Saturation Threshold (LSB)
006FH	0	XX	06FH	SBER SD BERM Saturation Threshold (MSB)
0070H	0	XX	070H	SBER SD BERM Declaring Threshold (LSB)
0071H	0	XX	071H	SBER SD BERM Declaring Threshold (MSB)
0072H	0	XX	072H	SBER SD BERM Clearing Threshold (LSB)
0073H	0	XX	073H	SBER SD BERM Clearing Threshold (MSB)
0074-007FH	0	XX	074-07FH	SBER Reserved
0080H	0	XX	080H	RRMP Configuration
0081H	0	XX	081H	RRMP Status
0082H	0	XX	082H	RRMP Interrupt Enable
0083H	0	XX	083H	RRMP Interrupt Status
0084H	0	XX	084H	RRMP Received APS
0085H	0	XX	085H	RRMP Received SSM
0086H	0	XX	086H	RRMP AIS enable
0087H	0	XX	087H	RRMP Section BIP Error Counter
0088H	0	XX	088H	RRMP Line BIP Error Counter (LSB)
0089H	0	XX	089H	RRMP Line BIP Error Counter (MSB)
008AH	0	XX	08AH	RRMP Line REI Error Counter (LSB)
008BH	0	XX	08BH	RRMP Line REI Error Counter (MSB)
008C-009FH	0	XX	08C-09FH	RRMP Reserved
00A0H	0	XX	0A0H	RTTP SECTION Indirect Address
00A1H	0	XX	0A1H	RTTP SECTION Indirect Data
00A2H	0	XX	0A2H	RTTP SECTION Trace Unstable Status
00A3H	0	XX	0A3H	RTTP SECTION Trace Unstable Interrupt Enable
00A4H	0	XX	0A4H	RTTP SECTION Trace Unstable Interrupt Status
00A5H	0	XX	0A5H	RTTP SECTION Trace Mismatch Status
00A6H	0	XX	0A6H	RTTP SECTION Trace Mismatch Interrupt Enable
00A7H	0	XX	0A7H	RTTP SECTION Trace Mismatch Interrupt Status
00A8-00BFH	0	XX	0A8-0BFH	RTTP SECTION Reserved
00C0H	0	XX	0C0H	RTTP PATH Indirect Address
00C1H	0	XX	0C1H	RTTP PATH Indirect Data
00C2H	0	XX	0C2H	RTTP PATH Trace Unstable Status
00C3H	0	XX	0C3H	RTTP PATH Trace Unstable Interrupt Enable
00C4H	0	XX	0C4H	RTTP PATH Trace Unstable Interrupt Status

REG #	A[12] RX/TX	A[11:10] QUAD	A[9:0]	Register Description
00C5H	0	XX	0C5H	RTTP PATH Trace Mismatch Status
00C6H	0	XX	0C6H	RTTP PATH Trace Mismatch Interrupt Enable
00C7H	0	XX	0C7H	RTTP PATH Trace Mismatch Interrupt Status
00C8-00DFH	0	XX	0C8-0DFH	RTTP PATH Reserved
00E0H	0	XX	0E0H	RTTP PATH TU3 Indirect Address
00E1H	0	XX	0E1H	RTTP PATH TU3 Indirect Data
00E2H	0	XX	0E2H	RTTP PATH TU3 Trace Unstable Status
00E3H	0	XX	0E3H	RTTP PATH TU3 Trace Unstable Interrupt Enable
00E4H	0	XX	0E4H	RTTP PATH TU3 Trace Unstable Interrupt Status
00E5H	0	XX	0E5H	RTTP PATH TU3 Trace Mismatch Status
00E6H	0	XX	0E6H	RTTP PATH TU3 Trace Mismatch Interrupt Enable
00E7H	0	XX	0E7H	RTTP PATH TU3 Trace Mismatch Interrupt Status
00E8-00FFH	0	XX	0E8-0FFH	RTTP PATH TU3 Reserved
0100H	0	XX	100H	RHPP Indirect Address
0101H	0	XX	101H	RHPP Indirect Data
0102H	0	XX	102H	RHPP Payload Configuration
0103H	0	XX	103H	RHPP Counter Update
0104H	0	XX	104H	RHPP Path Interrupt Status
0105H	0	XX	105H	RHPP Pointer Concatenation Processing Disable
0106H	0	XX	106H	RHPP Unused
0107H	0	XX	107H	RHPP Unused
0108H	0	XX	108H	RHPP Pointer Interpreter Status STS-1/STM-0 #1
0109H	0	XX	109H	RHPP Pointer Interpreter Interrupt Enable STS-1/STM-0 #1
010AH	0	XX	10AH	RHPP Pointer Interpreter Interrupt Status STS-1/STM-0 #1
010BH	0	XX	10BH	RHPP Error Monitor Status STS-1/STM-0 #1
010CH	0	XX	10CH	RHPP Error Monitor Interrupt Enable STS-1/STM-0 #1
010DH	0	XX	10DH	RHPP Error Monitor Interrupt Status STS-1/STM-0 #1
010EH	0	XX	10EH	RHPP Reserved STS-1/STM-0 #1
010FH	0	XX	10FH	RHPP Reserved STS-1/STM-0 #1
...
0160H	0	XX	160H	RHPP Pointer Interpreter Status STS-1/STM-0 #12
0161H	0	XX	161H	RHPP Pointer Interpreter Interrupt Enable STS-1/STM-0 #12

REG #	A[12] RX/TX	A[11:10] QUAD	A[9:0]	Register Description
0162H	0	XX	162H	RHPP Pointer Interpreter Interrupt Status STS-1/STM-0 #12
0163H	0	XX	163H	RHPP Error Monitor Status STS-1/STM-0 #12
0164H	0	XX	164H	RHPP Error Monitor Interrupt Enable STS-1/STM-0 #12
0165H	0	XX	165H	RHPP Error Monitor Interrupt Status STS-1/STM-0 #12
0166H	0	XX	166H	RHPP Reserved STS-1/STM-0 #12
0167H	0	XX	167H	RHPP Reserved STS-1/STM-0 #12
0168-017FH	0	XX	168-17FH	RHPP Reserved
0180H	0	XX	180H	RHPP TU3 Indirect Address
0181H	0	XX	181H	RHPP TU3 Indirect Data
0182H	0	XX	182H	RHPP TU3 Payload Configuration
0183H	0	XX	183H	RHPP TU3 Counter Update
0184H	0	XX	184H	RHPP TU3 Path Interrupt Status
0185H	0	XX	185H	RHPP TU3 Pointer Concatenation Processing Disable
0186H	0	XX	186H	RHPP TU3 Unused
0187H	0	XX	187H	RHPP TU3 Unused
0188H	0	XX	188H	RHPP TU3 Pointer Interpreter Status STS-1/STM-0 #1
0189H	0	XX	189H	RHPP TU3 Pointer Interpreter Interrupt Enable STS-1/STM-0 #1
018AH	0	XX	18AH	RHPP TU3 Pointer Interpreter Interrupt Status STS-1/STM-0 #1
018BH	0	XX	18BH	RHPP TU3 Error Monitor Status STS-1/STM-0 #1
018CH	0	XX	18CH	RHPP TU3 Error Monitor Interrupt Enable STS-1/STM-0 #1
018DH	0	XX	18DH	RHPP TU3 Error Monitor Interrupt Status STS-1/STM-0 #1
018EH	0	XX	18EH	RHPP TU3 Reserved STS-1/STM-0 #1
018FH	0	XX	18FH	RHPP TU3 Reserved STS-1/STM-0 #1
...	
01E0H	0	XX	1E0H	RHPP TU3 Pointer Interpreter Status STS-1/STM-0 #12
01E1H	0	XX	1E1H	RHPP TU3 Pointer Interpreter Interrupt Enable STS-1/STM-0 #12
01E2H	0	XX	1E2H	RHPP TU3 Pointer Interpreter Interrupt Status STS-1/STM-0 #12

REG #	A[12] RX/TX	A[11:10] QUAD	A[9:0]	Register Description
01E3H	0	XX	1E3H	RHPP TU3 Error Monitor Status STS-1/STM-0 #12
01E4H	0	XX	1E4H	RHPP TU3 Error Monitor Interrupt Enable STS-1/STM-0 #12
01E5H	0	XX	1E5H	RHPP TU3 Error Monitor Interrupt Status STS-1/STM-0 #12
01E6H	0	XX	1E6H	RHPP TU3 Reserved STS-1/STM-0 #12
01E7H	0	XX	1E7H	RHPP TU3 Reserved STS-1/STM-0 #12
01E8-01FFH	0	XX	1E8-1FFH	RHPP TU3 Reserved
0200H	0	XX	200H	RSVCA Indirect Address
0201H	0	XX	201H	RSVCA Indirect Data
0202H	0	XX	202H	RSVCA Payload Configuration
0203H	0	XX	203H	RSVCA Positive Justification Interrupt Status
0204H	0	XX	204H	RSVCA Negative Justification Interrupt Status
0205H	0	XX	205H	RSVCA FIFO Overflow Interrupt Status
0206H	0	XX	206H	RSVCA FIFO Underflow Interrupt Status
0207H	0	XX	207H	RSVCA Pointer Justification Interrupt Enable
0208H	0	XX	208H	RSVCA FIFO Interrupt Enable
0209H	0	XX	209H	RSVCA Reserved
020AH	0	XX	20AH	RSVCA Misc.
020BH	0	XX	20BH	RSVCA Counter Update
020C-021FH	0	XX	20C-21FH	RSVCA Reserved
0220H	0	00	220H	DSTSI Indirect Address
0221H	0	00	221H	DSTSI Indirect Data
0222H	0	00	222H	DSTSI Configuration
0223H	0	00	223H	DSTSI Interrupt Status
0223-023FH	0	00	223-23FH	DSTSI Reserved
0240H	0	XX	240H	DPRGM Indirect Address
0241H	0	XX	241H	DPRGM Indirect Data
0242H	0	XX	242H	DPRGM Generator Payload Configuration
0243H		XX	243H	DPRGM Monitor Payload Configuration
0244H	0	XX	244H	DPRGM Monitor Byte Error Interrupt Status
0245H	0	XX	245H	DPRGM Monitor Byte Error Interrupt Enable
0246H	0	XX	246H	DPRGM Monitor B1/E1 Bytes Interrupt Status
0247H	0	XX	247H	DPRGM Monitor B1/E1 Bytes Interrupt Enable
0248H	0	XX	248H	DPRGM Reserved
0249H	0	XX	249H	DPRGM Monitor Synchronization Interrupt Status
024AH	0	XX	24AH	DPRGM Monitor Synchronization Interrupt Enable

REG #	A[12] RX/TX	A[11:10] QUAD	A[9:0]	Register Description
024BH	0	XX	24BH	DPRGM Monitor Synchronization Status
024CH	0	XX	24CH	DPRGM Counter Update
024D-025FH	0	XX	24D-25FH	DPRGM Reserved
0260H	0	XX	260H	SARC Indirect Address
0261H	0	XX	261H	SARC Unused
0262H	0	XX	262H	SARC Section Configuration
0263H	0	XX	263H	SARC Section RSALM enable
0264H	0	XX	264H	SARC Section RLAIINS enable
0265H	0	XX	265H	SARC Section TLRDIINS enable
0266H	0	XX	266H	SARC Unused
0267H	0	XX	267H	SARC Unused
0268H	0	XX	268H	SARC Path Configuration
0269H	0	XX	269H	SARC Path RPALM Enable
026AH	0	XX	26AH	SARC Path RPAISINS Enable
026BH	0	XX	26BH	SARC TU3 Path Configuration
026CH	0	XX	26CH	SARC TU3 Path RPALM Enable
026DH	0	XX	26DH	SARC TU3 Path RPAISINS Enable
026EH	0	XX	26EH	SARC Unused
026FH	0	XX	26FH	SARC Unused
0270H	0	XX	270H	SARC LOP Pointer Status
0271H	0	XX	271H	SARC LOP Pointer Interrupt Enable
0272H	0	XX	272H	SARC LOP Pointer Interrupt Status
0273H	0	XX	273H	SARC AIS Pointer Status
0274H	0	XX	274H	SARC AIS Pointer Interrupt Enable
0275H	0	XX	275H	SARC AIS Pointer Interrupt Status
0276H	0	XX	276H	SARC Unused
0277H	0	XX	277H	SARC Unused
0278H	0	XX	278H	SARC TU3 LOP Pointer Status
0279H	0	XX	279H	SARC TU3 LOP Pointer Interrupt Enable
027AH	0	XX	27AH	SARC TU3 LOP Pointer Interrupt Status
027BH	0	XX	27BH	SARC TU3 AIS Pointer Status
027CH	0	XX	27CH	SARC TU3 AIS Pointer Interrupt Enable
027DH	0	XX	27DH	SARC TU3 AIS Pointer Interrupt Status
027EH	0	XX	27EH	SARC Unused
027FH	0	XX	27FH	SARC Unused
0280-029FH	0	XX	280-29FH	Reserved
02A0-02BFH	0	XX	2A0-2BFH	Reserved
02C0-02DFH	0	XX	2C0-2DFH	Reserved

REG #	A[12] RX/TX	A[11:10] QUAD	A[9:0]	Register Description
02E0-02FFH	0	XX	2E0-2FFH	Reserved
0300H	0	XX	300H	DDLL Configuration
0301H	0	XX	301H	DDLL Reserved
0302H	0	XX	302H	DDLL Reset
0303H	0	XX	303H	DDLL Status
0304-031FH	0	XX	304-31FH	DDLL Reserved
0320-033FH	0	XX	320-33FH	Reserved
0340-035FH	0	XX	340-35FH	Reserved
0360-037FH	0	XX	360-37FH	Reserved
0380-039FH	0	XX	380-39FH	Reserved
03A0-03BFH	0	XX	3A0-3BFH	Reserved
03C0-03DFH	0	XX	3C0-3DFH	Reserved
03E0-03FFH	0	XX	3E0-3FFH	Reserved
1000-101FH	1	XX	000-01FH	SPECTRA 1X2488 Reserved
1020H	1	00	020H	Tx2488 Analog Control/Status
1021H	1	00	021H	Tx2488 ABC Control
1022H	1	00	022H	Tx2488 Pattern Register
1023-102FH	1	00	023-02FH	Tx2488 Analog Reserved
1030F	1	00	030F	QUAD 622 Tx MABC CSUT Control Register
1031F	1	00	031F	QUAD 622 Tx MABC CSUT ROOL Control Register
1032F	1	00	032F	QUAD 622 Tx MABC CSUT ROOL Interrupt Status Register
1033F	1	XX	033F	QUAD 622 Tx MABC Channel Control Register
1034F	1	XX	034F	QUAD 622 TX Slice Reserved
1035-103FH	1	XX	035-03FH	QUAD 622 TX Slice Reserved
1040H	1	00	040H	STLI Clock Configuration
1041H	1	00	041H	STLI PGM Clock Configuration
1042-105FH	1	00	042-05FH	STLI Reserved
1060H	1	XX	060H	JAT622 Configuration
1061H	1	XX	061H	JAT622 Configuration and Interrupt Enable
1062H	1	XX	062H	JAT622 Status
1063H	1	XX	063H	JAT622 Reserved

REG #	A[12] RX/TX	A[11:10] QUAD	A[9:0]	Register Description
1064-107FH	1	XX	264-27FH	Reserved
1080H	1	XX	080H	TRMP Configuration
1081H	1	XX	081H	TRMP Register Insertion
1082H	1	XX	082H	TRMP Error Insertion
1083H	1	XX	083H	TRMP Transmit J0 and Z0
1084H	1	XX	084H	TRMP Transmit E1 and F1
1085H	1	XX	085H	TRMP Transmit D1D3 and D4D12
1086H	1	XX	086H	TRMP Transmit K1 and K2
1087H	1	XX	087H	TRMP Transmit S1 and Z1
1088H	1	XX	088H	TRMP Transmit Z2 and E2
1089H	1	XX	089H	TRMP H1 and H2 Mask
108AH	1	XX	08AH	TRMP B1 and B2 Mask
108B-109FH	1	XX	08B-09FH	TRMP Reserved
10A0H	1	XX	0A0H	TTTP SECTION Indirect Address
10A1H	1	XX	0A1H	TTTP SECTION Indirect Data
10A2-10BFH	1	XX	0A2-0BFH	TTTP SECTION Reserved
10C0H	1	XX	0C0H	TTTP PATH Indirect Address
10C1H	1	XX	0C1H	TTTP PATH Indirect Data
10C2-10DFH	1	XX	0C2-0DFH	TTTP PATH Reserved
10E0H	1	XX	0E0H	TTTP PATH TU3 Indirect Address
10E1H	1	XX	0E1H	TTTP PATH TU3 Indirect Data
10E2-10FFH	1	XX	0E2-0FFH	TTTP PATH TU3 Reserved
1100H	1	XX	100H	THPP Indirect Address
1101H	1	XX	101H	THPP Indirect Data
1110H	1	XX	102H	THPP Payload Configuration
1103-117FH	1	XX	103-17FH	THPP Reserved
1180H	1	XX	180H	THPP TU3 Indirect Address
1181H	1	XX	181H	THPP TU3 Indirect Data
1182H	1	XX	182H	THPP TU3 Payload Configuration
1183 - 11FFH	1	XX	183-1FFH	THPP TU3 Reserved
1200H	1	XX	200H	TSVCA Indirect Address
1201H	1	XX	201H	TSVCA Indirect Data
1202H	1	XX	202H	TSVCA Payload Configuration
1203H	1	XX	203H	TSVCA Positive Justification Interrupt Status
1204H	1	XX	204H	TSVCA Negative Justification Interrupt Status
1205H	1	XX	205H	TSVCA FIFO Overflow Interrupt Status

REG #	A[12] RX/TX	A[11:10] QUAD	A[9:0]	Register Description
1206H	1	XX	206H	TSVCA FIFO Underflow Interrupt Status
1207H	1	XX	207H	TSVCA Pointer Justification Interrupt Enable
1208H	1	XX	208H	TSVCA FIFO Interrupt Enable
1209H	1	XX	209H	TSVCA Reserved
120AH	1	XX	20AH	TSVCA Misc.
120BH	1	XX	20BH	TSVCA Counter Update
120C-121FH	1	XX	20C-21FH	TSVCA Reserved
1220H	1	00	220H	ASTSI Indirect Address
1221H	1	00	221H	ASTSI Indirect Data
1222H	1	00	222H	ASTSI Configuration
1223H	1	00	223H	ASTSI Interrupt Status
1224-123FH	1	00	224-23FH	ASTSI Reserved
1240H	1	XX	240H	APRGM Indirect Address
1241H	1	XX	241H	APRGM Indirect Data
1242H	1	XX	242H	APRGM Generator Payload Configuration
1243H	1	XX	243H	APRGM Monitor Payload Configuration
1244H	1	XX	244H	APRGM Monitor Byte Error Interrupt Status
1245H	1	XX	245H	APRGM Monitor Byte Error Interrupt Enable
1246H	1	XX	246H	APRGM Monitor B1/E1 Bytes Interrupt Status
1247H	1	XX	247H	APRGM Monitor B1/E1 Bytes Interrupt Enable
1248H	1	XX	248H	APRGM Reserved
1249H	1	XX	249H	APRGM Monitor Synchronization Interrupt Status
124AH	1	XX	24AH	APRGM Monitor Synchronization Interrupt Enable
124BH	1	XX	24BH	APRGM Monitor Synchronization Status
124CH	1	XX	24CH	APRGM Counter Update
124D-125FH	1	XX	24D-35FH	APRGM Reserved
1260-127FH	1	XX	260-27FH	Reserved
1280H	1	XX	280H	TAPI Indirect Address
1281H	1	XX	281H	TAPI Indirect Data
1282H	1	XX	282H	TAPI Payload Configuration
1283H	1	XX	283H	TAPI Counter Update
1284H	1	XX	284H	TAPI Path Interrupt Status
1285H	1	XX	285H	TAPI Pointer Concatenation Processing Disable
1286H	1	XX	286H	TAPI Reserved
1287H	1	XX	287H	TAPI Reserved
1288H	1	XX	288H	TAPI Pointer Interpreter Status STS-1/STM-0 #1

REG #	A[12] RX/TX	A[11:10] QUAD	A[9:0]	Register Description
1289H	1	XX	289H	TAPI Pointer Interpreter Interrupt Enable STS-1/STM-0 #1
128AH	1	XX	28AH	TAPI Pointer Interpreter Interrupt Status STS-1/STM-0 #1
128BH	1	XX	28BH	TAPI Error Monitor Status STS-1/STM-0 #1
128CH	1	XX	28CH	TAPI Error Monitor Interrupt Enable STS-1/STM-0 #1
128DH	1	XX	28DH	TAPI Error Monitor Interrupt Status STS-1/STM-0 #1
128EH	1	XX	28EH	TAPI Reserved STS-1/STM-0 #1
128FH	1	XX	28FH	TAPI Reserved STS-1/STM-0 #1
...
12E0H	1	XX	2E0H	TAPI Pointer Interpreter Status STS-1/STM-0 #12
12E1H	1	XX	2E1H	TAPI Pointer Interpreter Interrupt Enable STS-1/STM-0 #12
12E2H	1	XX	2E2H	TAPI Pointer Interpreter Interrupt Status STS-1/STM-0 #12
12E3H	1	XX	2E3H	TAPI Error Monitor Status STS-1/STM-0 #12
12E4H	1	XX	2E4H	TAPI Error Monitor Interrupt Enable STS-1/STM-0 #12
12E5H	1	XX	2E5H	TAPI Error Monitor Interrupt Status STS-1/STM-0 #12
12E6H	1	XX	2E6H	TAPI Reserved STS-1/STM-0 #12
12E7H	1	XX	2E7H	TAPI Reserved STS-1/STM-0 #12
12E8-12FFH	1	XX	2E8-2FFH	TAPI Reserved
1300H	1	XX	300H	ADLL Configure
1301H	1	XX	301H	ADLL Reserved
1302H	1	XX	302H	ADLL Reset
1303H	1	XX	303H	ADLL Status
1304-131FH	1	XX	304-31FH	ADLL Reserved
1320-133FH	1	XX	320-33FH	Reserved
1340-135FH	1	XX	340-35FH	Reserved
1360-137FH	1	XX	360-37FH	Reserved
1380-139FH	1	XX	380-39FH	Reserved

REG #	A[12] RX/TX	A[11:10] QUAD	A[9:0]	Register Description
13A0-13BFH	1	XX	3A0-3BFH	Reserved
13C0-13DFH	1	XX	3C0-3DFH	Reserved
13E0-13FFH	1	XX	3E0-3FFH	Reserved

Notes on Register Memory Map

- For all register accesses, CSB must be low.
- Addresses that are not shown must be treated as reserved.
- A[13] is the test register select (TRS) and should be set to logic 0 for normal mode register access.
- Writing values into unused register bits has no effect. However, to ensure software compatibility with future, feature-enhanced versions of this product, unused register bits must be written with logic 0. Reading back unused bits can produce either a logic 1 or a logic 0; hence, unused register bits should be masked off by software when read.
- All configuration bits that can be written into can also be read back. This allows the processor controlling the SPECTRA 1x2488 to determine the programming state of the device.
- Writeable normal mode register bits are cleared to logic 0 upon reset unless otherwise noted.
- Writing into read-only normal mode register bit locations does not affect SPECTRA 1x2488 operation unless otherwise noted.
- Certain register bits are reserved. These bits are associated with mega-cell functions that are unused in this application. To ensure that the SPECTRA 1x2488 operates as intended, reserved register bits must only be written with the logic level as specified. Writing to reserved registers should be avoided.

12.2 Registers

Register 0000H: SPECTRA 1X2488 Master Configuration

Bit	Type	Function	Default
Bit 15	R	TIP	X
Bit 14	R/W	Reserved	0
Bit 13	R/W	WCIMODE_1x2488	0
Bit 12	R/W	Reserved	0
Bit 11	R/W	WCIMODE	0
Bit 10	R/W	RESETSL[4]	0
Bit 9	R/W	RESETSL[3]	0
Bit 8	R/W	RESETSL[2]	0
Bit 7	R/W	RESETSL[1]	0
Bit 6	R/W	RESET	0
Bit 5	R/W	ARST_1x2488	0
Bit 4	R/W	ARST_4x622	0
Bit 3	R/W	LAS_ECBI_RST	0
Bit 2	R/W	JAT622_RST	0
Bit 1	R	NO_TU3	X
Bit 0	R	QUAD622	X

The Master Configuration Register is provided at SPECTRA 1x2488 read/write address 00H.

QUAD622

The Quad 622 operating mode (QUAD622) signal is asserted high while the SPECTRA 1x2488 operates in Quad OC-12 mode and is negated while the device operates in single OC-48 mode. The QUAD622 pin selects the operating mode of the device. Refer to the Operation section for power up and configuration details.

NO_TU3

The TU3 power down operating mode (NO_TU3) signal is asserted high while the device operates in TU3 power down mode and is negated while the device does not operate in TU3 power down. The NO_TU3 pin selects the operating mode of the SPECTRA 1x2488.

JAT622_RST

The JAT622 software reset (JAT622_RST) bit resets the JAT4x622 circuit. When a logic 1 is written to JAT622_RST, the 4 JAT622 TSBs are held in reset. When a logic 0 is written to JAT622_RST, the 4 JAT622 TSBs operate normally.

LAS_ECBI_RST

The LAS ECBI software reset (LAS_ECBI_RST) bit resets the LAS4x622 ECBI (register) circuit. When a logic 1 is written to LAS_ECBI_RST, the LAS4x622 TSB ECBI is held in reset. When a logic 0 is written to LAS_ECBI_RST, the LAS4x622 TSB ECBI operates normally.

ARST_4x622

The 4x622 Analog software reset (ARST_4x622) bit resets the 4x622 analog circuit. When a logic 1 is written to ARST_4x622, the 4x622 analog is held in reset. When a logic 0 is written to ARST_4x622, the 4x622 analog operates normally.

ARST_1x2488

The 1x2488 Analog software reset (ARST_1x2488) bit resets the 1x2488 analog circuit. When a logic 1 is written to ARST_1x2488, the 1x2488 analog is held in reset. When a logic 0 is written to ARST_1x2488, the 1x2488 analog operates normally.

RESET

The software reset (RESET) bit resets the whole device. When a logic 1 is written to RESET, all the digital logic (except JAT622 and LAS4x622_ECBI in SPECTRA 1x2488) is held in reset. When a logic 0 is written to RESET, the SPECTRA 1X2488 digital logic operates normally.

RESETSL[4:1]

The slice software reset (RESETSL[4:1]) bits reset the corresponding STS-12/STM-4 slice. When a logic 1 is written to RESETSL[X], the STS-12/STM-4 slice (SBER, RRMP, RTTPs, RHPP, RHPP_TU3, SVCAs, THPP_TU3, TTTPs, THPP, TRMP, and PRGMs) is held in reset. When a logic 0 is written to RESETSL[X], the STS-12/STM-4 slice operates normally.

WCIMODE

The write on clear interrupt mode (WCIMODE) bit selects the clear interrupt mode. When a logic 1 is written to WCIMODE, the clear interrupt mode is clear on write. When a logic 0 is written to WCIMODE, the clear interrupt mode is clear on read.

WCIMODE_1x2488

The write on clear interrupt mode (WCIMODE_1x2488) bit selects the clear interrupt mode for RX2488 TSB (RCS2488) and TX2488 TSB (TCP_2488). When (WCIMODE_1x2488 XOR WCIMODE) is a logic 1, the clear interrupt mode is clear on write for RX2488 and TX2488. When (WCIMODE_1x2488 XOR WCIMODE) is a logic 0, the clear interrupt mode is clear on read for RX2488 and TX2488.

TIP

The transfer in progress (TIP) signal is asserted high while the performance monitors are being transferred to the holding registers. The transfer is initiated by writing to the Master Configuration Register. TIP is negated when the transfer is completed.

Reserved

The reserved bit must be programmed to its default value for proper operation.

Downloaded by Content Team of Partminer Inc on Thursday, 27 April, 2016 09:55:04 AM

Register 0001H: SPECTRA 1X2488 Receive Configuration

Bit	Type	Function	Default
Bit 15	R/W	Reserved	0
Bit 14	R/W	Reserved	0
Bit 13	R/W	Reserved	0
Bit 12	R/W	Reserved	0
Bit 11	R/W	DSTSISW[1]	0
Bit 10	R/W	DSTSISW[0]	1
Bit 9	R/W	RDDS	0
Bit 8	R/W	Reserved	0
Bit 7	R/W	RSTS12C[4]	0
Bit 6	R/W	RSTS12C[3]	0
Bit 5	R/W	RSTS12C[2]	0
Bit 4	R/W	RSTS12C[1]	0
Bit 3	R/W	RSTS12CSL[4]	0
Bit 2	R/W	RSTS12CSL[3]	0
Bit 1	R/W	RSTS12CSL[2]	0
Bit 0	R/W	RSTS12CSL[1]	0

The Receive Configuration Register is provided at SPECTRA 1x2488 read/write address 01H.

RSTS12CSL[4:1]

The receive STS-12 slave concatenation mode (RSTS12CSL[4:1]) bits enable the slave processing of an STS-12c (VC-4-4c) payload for the corresponding STS-12/STM-4 slice. When a logic 1 is written to RSTS12CSL[X] and a logic 1 is written to RSTS12C[X], the receive STS-12/STM-4 slice process a slave STS-12c (VC-4-4c) payload. When a logic 0 is written to RSTS12CSL[X] and a logic 1 is written to RSTS12C[X], the receive STS-12/STM-4 slice process a master STS-12c (VC-4-4c) payload. When a logic 0 is written to RSTS12CSL[X] and a logic 0 is written to RSTS12C[X], the receive STS-12/STM-4 slice is not processing a STS-12c (VC-4-4c) payload.

RSTS12C[4:1]

The receive STS-12 concatenation mode (RSTS12C[4:1]) bits enable the processing of an STS-12c (VC-4-4c) payload for the corresponding STS-12/STM-4 slice. When a logic 1 is written to RSTS12CSL[X] and a logic 1 is written to RSTS12C[X], the receive STS-12/STM-4 slice process a slave STS-12c (VC-4-4c) payload. When a logic 0 is written to RSTS12CSL[X] and a logic 1 is written to RSTS12C[X], the receive STS-12/STM-4 slice process a master STS-12c (VC-4-4c) payload. When a logic 0 is written to RSTS12CSL[X] and a logic 0 is written to RSTS12C[X], the receive STS-12/STM-4 slice is not processing a STS-12c (VC-4-4c) payload.

RDDS

The receive disable de scrambling (RDDS) bit disables the de scrambling of the input line data stream. When a logic 1 is written to RDDS, the input line data stream is not de scrambled. When a logic 0 is written to RDDS, the input line data stream is de scrambled.

DSTSISW[1:0]

The drop STSI switching mode (DSTSISW[1:0]) bits select the operational switching mode of the STSI.

DSTSISW[1:0]	Mode	Comment
00	Dynamic mode	Switching is controlled by the Current active page.
01	Bypass mode	Straight-through connection, no timeslot interchange.
10	12-48c mode	Straight-through connection, no timeslot interchange. The space switch function is used to map 4 OC-12 streams into a single OC-48c stream.
11	48c-12 mode	Straight-through connection, no timeslot interchange. The space switch function is used to map a single OC-48c stream into four OC-12 streams.

Reserved

The reserved bit must be programmed to its default value for proper operation.

Register 0002H: SPECTRA 1X2488 Transmit Configuration

Bit	Type	Function	Default
Bit 15	R/W	Reserved	1
Bit 14	R/W	Reserved	0
Bit 13	R/W	Reserved	0
Bit 12	R/W	TAPIDIS	1
Bit 11	R/W	ASTSISW[1]	0
Bit 10	R/W	ASTSISW[0]	1
Bit 9	R/W	TDS	0
Bit 8	R/W	Reserved	0
Bit 7	R/W	TSTS12C[4]	0
Bit 6	R/W	TSTS12C[3]	0
Bit 5	R/W	TSTS12C[2]	0
Bit 4	R/W	TSTS12C[1]	0
Bit 3	R/W	TSTS12CSL[4]	0
Bit 2	R/W	TSTS12CSL[3]	0
Bit 1	R/W	TSTS12CSL[2]	0
Bit 0	R/W	TSTS12CSL[1]	0

The Transmit Configuration Register is provided at SPECTRA 1x2488 read/write address 02H.

TSTS12CSL[4:1]

The transmit STS-12 slave concatenation mode (TSTS12CSL[4:1]) bits enable the slave processing of an STS-12c (VC-4-4c) payload for the corresponding STS-12/STM-4 slice. When a logic 1 is written to TSTS12CSL[X] and a logic 1 is written to TSTS12C[X], the receive STS-12/STM-4 slice process a slave STS-12c (VC-4-4c) payload. When a logic 0 is written to TSTS12CSL[X] and a logic 1 is written to TSTS12C[X], the receive STS-12/STM-4 slice process a master STS-12c (VC-4-4c) payload. When a logic 0 is written to TSTS12CSL[X] and a logic 0 is written to TSTS12C[X], the receive STS-12/STM-4 slice is not processing a STS-12c (VC-4-4c) payload.

TSTS12C[4:1]

The transmit STS-12 concatenation mode (TSTS12C[4:1]) bits enable the processing of an STS-12c (VC-4-4c) payload for the corresponding STS-12/STM-4 slice. When a logic 1 is written to TSTS12CSL[X] and a logic 1 is written to TSTS12C[X], the receive STS-12/STM-4 slice process a slave STS-12c (VC-4-4c) payload. When a logic 0 is written to TSTS12CSL[X] and a logic 1 is written to TSTS12C[X], the receive STS-12/STM-4 slice process a master STS-12c (VC-4-4c) payload. When a logic 0 is written to TSTS12CSL[X] and a logic 0 is written to TSTS12C[X], the receive STS-12/STM-4 slice is not processing a STS-12c (VC-4-4c) payload.

TDS

The transmit disable scrambling (TDS) bit disables the scrambling of the output line data stream. When a logic 1 is written to TDS, the output line data stream is not scrambled. When a logic 0 is written to TDS, the output line data stream is scrambled.

ASTSISW[1:0]

The add STSI switching mode (ASTSISW[1:0]) bits select the operational switching mode of the STSI.

ASTSISW[1:0]	Mode	Comment
00	Dynamic mode	Switching is controlled by the Current active page.
01	Bypass mode	Straight-through connection, no timeslot interchange.
10	12-48c mode	Straight-through connection, no timeslot interchange. The space switch function is used to map 4 OC-12 streams into a single OC-48c stream.
11	48c-12 mode	Straight-through connection, no timeslot interchange. The space switch function is used to map a single OC-48c stream into 4 OC-12 streams.

TAPIDIS

The transmit add bus pointer interpreter disable (TAPIDIS) bit disables the pointer interpreter. When a logic 1 is written to TAPIDIS, the add bus pointer interpreter is disable. When a logic 0 is written to TAPIDIS, the add bus pointer interpreter is enable.

Reserved

The reserved bits must be programmed to their default values for proper operation.

Register 0003H: SPECTRA 1X2488 Loop Timing Configuration

Bit	Type	Function	Default
Bit 15	R/W	RCLK1_SEL[1]	0
Bit 14	R/W	RCLK1_SEL[0]	0
Bit 13	R/W	RCLK2_SEL[1]	0
Bit 12	R/W	RCLK2_SEL[0]	1
Bit 11	R/W	PDLB[4]	0
Bit 10	R/W	PDLB[3]	0
Bit 9	R/W	PDLB[2]	0
Bit 8	R/W	PDLB[1]	0
Bit 7	R/W	PDLB	0
Bit 6	R/W	Reserved	0
Bit 5	R/W	Reserved	0
Bit 4	R/W	Reserved	0
Bit 3	R/W	Reserved	0
Bit 2	R/W	Reserved	0
Bit 1	R/W	Reserved	0
Bit 0	R/W	Reserved	0

The Loop Timing Configuration Register is provided at SPECTRA 1x2488 read/write address 03H.

Reserved

The reserved bits must be programmed to their default values for proper operation.

PDLB

The parallel diagnostic loop back (PDLB) bit enables the parallel loop back from STLI to SRLI in 1x2488 mode. When a logic 1 is written to PDLB, the transmit data and clock from STLI is looped back into SRLI. When a logic 0 is written to PDLB the parallel diagnostic loop back is inactive.

Note: In order for the parallel diagnostic loop back in 1x2488 mode to work, the 1x2488 Analog has to be active. Furthermore, the SD/LOS/DOOLEN bit 10 of corresponding “SARC Section Receive AIS-L Enable” register 0x0264, 0x0664, 0x0A64 or 0x0E64 must be cleared to ‘0’ before the PDLB is enabled.

PDLB[4:1]

The parallel diagnostic loop back (PDLB[4:1]) bit enables the parallel loop back from STLI to SRLI for each of the STS-12 slices in 4x622 mode. When a logic 1 is written to PDLB, the transmit data and clock from STLI is looped back into SRLI. When a logic 0 is written to PDLB, the parallel diagnostic loop back is inactive.

Notes:

- In order for the parallel diagnostic loop back in 4x622 to work, the 4x622 Analog has to be active.
- The SD/LOS/DOOLEN bit 10 of corresponding “SARC Section Receive AIS-L Enable” register 0x0264, 0x0664, 0x0A64 or 0x0E64 must be cleared to ‘0’ before the PDLB[4:1] is enabled.
- Each of the four channels could be looped back independently.

RCLK2_SEL[1:0]

The RCLK2 selection (RCLK2_SEL[1:0]) bits select the clock source for RCLK2 output. If RCLK2_SEL[1:0] = ‘00’, the recovered clock from the first pair of receive line (RXD1_P/N) is output on RCLK2. If RCLK2_SEL[1:0] = ‘01’, the recovered clock from the second pair of receive line (RXD2_P/N) is output on RCLK2. If RCLK2_SEL[1:0] = ‘10’, the recovered clock from the third pair of receive line (RXD3_P/N) is output on RCLK2. If RCLK2_SEL[1:0] = ‘11’, and the recovered clock from the last pair of receive line (RXD4_P/N) is output on RCLK2.

Note: If the bits are updated during operation, there will be glitch on the output of RCLK2.

RCLK1_SEL[1:0]

The RCLK1 selection (RCLK1_SEL[1:0]) bits select the clock source for RCLK1 output. If RCLK1_SEL[1:0] = ‘00’, the recovered clock from the first pair of receive line (RXD1_P/N) is output on RCLK1. If RCLK1_SEL[1:0] = ‘01’, the recovered clock from the second pair of receive line (RXD2_P/N) is output on RCLK1. If RCLK1_SEL[1:0] = ‘10’, the recovered clock from the third pair of receive line (RXD3_P/N) is output on RCLK1. If RCLK1_SEL[1:0] = ‘11’, and the recovered clock from the last pair of receive line (RXD4_P/N) is output on RCLK1.

Note: If the bits are updated during operation, there will be glitch on the output of RCLK1.

Register 0004H: SPECTRA 1X2488 RCLK Gating Control #1

Bit	Type	Function	Default
Bit 15	R/W	RCLK_SD_ENAB[3]	0
Bit 14	R/W	RCLK_SD_ENAB[2]	0
Bit 13	R/W	RCLK_SD_ENAB[1]	0
Bit 12	R/W	RCLK_SD_ENAB[0]	0
Bit 11	R/W	Reserved	0
Bit 10	R/W	Reserved	0
Bit 9	R/W	Reserved	0
Bit 8	R/W	Reserved	0
Bit 7	R/W	Reserved	0
Bit 6	R/W	Reserved	0
Bit 5	R/W	Reserved	0
Bit 4	R/W	Reserved	0
Bit 3	R/W	Reserved	0
Bit 2	R/W	Reserved	0
Bit 1	R/W	Reserved	0
Bit 0	R/W	Reserved	0

RCLK Gating Control #1 is provided at SPECTRA 1x2488 read/write address 04H.

Reserved

The reserved bits must be programmed to their default values for proper operation.

RCLK_SD_ENAB[3:0]

The RCLK SD inactive defect gating enable (RCLK_SD_ENAB[3:0]) control bit allows the SD inactive defect to gate RCLK1-4 outputs. When RCLK_SD_ENAB[3:0] is a 1, RCLK1-4 operates normally. When RCLK_SD_ENAB[3:0] is a 0, RCLK1-4 is gated to a 0 when a loss of signal is detected. Note: A loss of signal is *not* (SD1-4 XOR INV_SDI_EN) in quad mode or (SD1 XOR INV_SDI_EN) in single mode.

Register 0005H: SPECTRA 1X2488 RCLK Gating Control #2

Bit	Type	Function	Default
Bit 15	R/W	RCLK_LOS_ENAB[3]	0
Bit 14	R/W	RCLK_LOS_ENAB[2]	0
Bit 13	R/W	RCLK_LOS_ENAB[1]	0
Bit 12	R/W	RCLK_LOS_ENAB[0]	0
Bit 11	R/W	Reserved	0
Bit 10	R/W	Reserved	0
Bit 9	R/W	Reserved	0
Bit 8	R/W	Reserved	0
Bit 7	R/W	Reserved	0
Bit 6	R/W	Reserved	0
Bit 5	R/W	Reserved	0
Bit 4	R/W	Reserved	0
Bit 3	R/W	Reserved	0
Bit 2	R/W	Reserved	0
Bit 1	R/W	Reserved	0
Bit 0	R/W	Reserved	0

RCLK Gating Control #2 is provided at SPECTRA 1x2488 read/write address 05H.

Reserved

The reserved bits must be programmed to their default values for proper operation.

RCLK_LOS_ENAB[3:0]

RCLK LOS defect gating enable (RCLK_LOS_ENAB[3:0]) allows the assertion of LOS defect indication to control the gating of RCLK. When a logic 0 is written into RCLK_LOS_ENAB, RCLK1-4 will be forced to logic 0 when the LOS defect indication is high. When a logic 1 is written into RCLK_LOS_ENAB, RCLK1-4 will not be forced to logic 0 on the LOS defect indication.

Register 0006H: SPECTRA 1X2488 RCLK Gating Control #3

Bit	Type	Function	Default
Bit 15	R/W	RCLK_DOOL_ENAB[3]	1
Bit 14	R/W	RCLK_DOOL_ENAB[2]	1
Bit 13	R/W	RCLK_DOOL_ENAB[1]	1
Bit 12	R/W	RCLK_DOOL_ENAB[0]	1
Bit 11	R/W	Reserved	0
Bit 10	R/W	Reserved	0
Bit 9	R/W	Reserved	0
Bit 8	R/W	Reserved	0
Bit 7	R/W	Reserved	0
Bit 6	R/W	Reserved	0
Bit 5	R/W	Reserved	0
Bit 4	R/W	Reserved	0
Bit 3	R/W	Reserved	0
Bit 2	R/W	Reserved	0
Bit 1	R/W	Reserved	0
Bit 0	R/W	Reserved	0

RCLK Gating Control #3 is provided at SPECTRA 1x2488 read/write address 05H.

Reserved

The reserved bits must be programmed to their default values for proper operation.

RCLK_DOOL_ENAB[3:0]

RCLK DOOL defect gating enable (RCLK_DOOL_ENAB[3:0]) allows the assertion of DOOL defect indication to control the gating of RCLK. When a logic 0 is written into RCLK_DOOL_ENAB, RCLK1-4 will be forced to logic 0 when DOOL defect indication is high. When a logic 1 is written into RCLK_DOOL_ENAB, RCLK1-4 will not be forced to logic 0 on the DOOL defect indication.

Register 0008H: SPECTRA 1X2488 System Side Line Loop Back #1

Bit	Type	Function	Default
Bit 15	—	Unused	X
Bit 14	—	Unused	X
Bit 13	—	Unused	X
Bit 12	—	Unused	X
Bit 11	R/W	SLLBEN[1][12]	0
Bit 10	R/W	SLLBEN[1][11]	0
Bit 9	R/W	SLLBEN[1][10]	0
Bit 8	R/W	SLLBEN[1][9]	0
Bit 7	R/W	SLLBEN[1][8]	0
Bit 6	R/W	SLLBEN[1][7]	0
Bit 5	R/W	SLLBEN[1][6]	0
Bit 4	R/W	SLLBEN[1][5]	0
Bit 3	R/W	SLLBEN[1][4]	0
Bit 2	R/W	SLLBEN[1][3]	0
Bit 1	R/W	SLLBEN[1][2]	0
Bit 0	R/W	SLLBEN[1][1]	0

This Loop back Register is provided at SPECTRA 1x2488 read/write address 08H.

SLLBEN[1][12:1]

The system side/line loop back (SLLBEN[1][12:1]) bits enable the SLLBEN for the first STS-12/STM-4 slice. When a logic 1 is written to SLLBEN[1][X], the drop system data of STS-1/STM-0 path X is looped back into the add system data of STS-1/STM-0 path X. When a logic 0 is written to SLLBEN[1][X], the system side/line loop back is inactive.

Note: For proper operation when the AJ0J1_FP port does not contain valid framing, the AFPEN mode (bit 14 of register 0016H) must be configured and the AFPMASK mask (bit 15 of register 001DH) must be enabled. The TAPI block must be disabled for each path loop back if phase alignment between DJ0 and AJ0 is greater than 12 system clock cycles. Use TAPIBYPASS, bit 6 in TAPI indirect register 00H to disable the TAPI block.

Register 0009H: SPECTRA 1X2488 System Side Line Loop Back #2

Bit	Type	Function	Default
Bit 15	—	Unused	X
Bit 14	—	Unused	X
Bit 13	—	Unused	X
Bit 12	—	Unused	X
Bit 11	R/W	SLLBEN[2][12]	0
Bit 10	R/W	SLLBEN[2][11]	0
Bit 9	R/W	SLLBEN[2][10]	0
Bit 8	R/W	SLLBEN[2][9]	0
Bit 7	R/W	SLLBEN[2][8]	0
Bit 6	R/W	SLLBEN[2][7]	0
Bit 5	R/W	SLLBEN[2][6]	0
Bit 4	R/W	SLLBEN[2][5]	0
Bit 3	R/W	SLLBEN[2][4]	0
Bit 2	R/W	SLLBEN[2][3]	0
Bit 1	R/W	SLLBEN[2][2]	0
Bit 0	R/W	SLLBEN[2][1]	0

This Loop Back Register is provided at SPECTRA 1x2488 read/write address 09H.

SLLBEN[2][12:1]

The system side/line loop back (SLLBEN[2][12:1]) bits enable the SLLBEN for the second STS-12/STM-4 slice. When a logic 1 is written to SLLBEN[2][X], the drop system data of STS-1/STM-0 path X is looped back into the add system data of STS-1/STM-0 path X. When a logic 0 is written to SLLBEN[2][X], the system side/line loop back is inactive.

Note: For proper operation when the AJ0J1_FP port does not contain valid framing, the AFPEN mode (bit 14 of register 0016H) must be configured and the AFPMASK mask (bit 15 of register 001DH) must be enabled. The TAPI block must be disabled for each path looped back if phase alignment between DJ0 and AJ0 is greater than 12 system clock cycles. Use TAPIBYPASS, bit 6 in TAPI indirect register 00H to disable the TAPI block.

Register 000AH: SPECTRA 1X2488 System Side Line Loop Back #3

Bit	Type	Function	Default
Bit 15	—	Unused	X
Bit 14	—	Unused	X
Bit 13	—	Unused	X
Bit 12	—	Unused	X
Bit 11	R/W	SLLBEN[3][12]	0
Bit 10	R/W	SLLBEN[3][11]	0
Bit 9	R/W	SLLBEN[3][10]	0
Bit 8	R/W	SLLBEN[3][9]	0
Bit 7	R/W	SLLBEN[3][8]	0
Bit 6	R/W	SLLBEN[3][7]	0
Bit 5	R/W	SLLBEN[3][6]	0
Bit 4	R/W	SLLBEN[3][5]	0
Bit 3	R/W	SLLBEN[3][4]	0
Bit 2	R/W	SLLBEN[3][3]	0
Bit 1	R/W	SLLBEN[3][2]	0
Bit 0	R/W	SLLBEN[3][1]	0

This Loop Back Register is provided at SPECTRA 1x2488 read/write address 0AH.

SLLBEN[3][12:1]

The system side/line loop back (SLLBEN[3][12:1]) bits enable the SLLBEN for the third STS-12/STM-4 slice. When a logic 1 is written to SLLBEN[3][X], the drop system data of STS-1/STM-0 path X is loop back into the add system data of STS-1/STM-0 path X. When a logic 0 is written to SLLBEN[3][X], the system side/line loop back is inactive.

Note: For proper operation when the AJ0J1_FP port contains no valid framing, the AFPEN mode (bit 14 of register 0016H) must be configure and the AFPMASK mask (bit 15 of register 001DH) must be enabled. The TAPI block must be disabled for each path looped back if phase alignment between DJ0 and AJ0 is greater than 12 system clock cycles Use TAPIBYPASS, bit 6 in TAPI indirect register 00H to disable the TAPI block.

Register 000BH: SPECTRA 1X2488 System Side Line Loop Back #4

Bit	Type	Function	Default
Bit 15	—	Unused	X
Bit 14	—	Unused	X
Bit 13	—	Unused	X
Bit 12	—	Unused	X
Bit 11	R/W	SLLBEN[4][12]	0
Bit 10	R/W	SLLBEN[4][11]	0
Bit 9	R/W	SLLBEN[4][10]	0
Bit 8	R/W	SLLBEN[4][9]	0
Bit 7	R/W	SLLBEN[4][8]	0
Bit 6	R/W	SLLBEN[4][7]	0
Bit 5	R/W	SLLBEN[4][6]	0
Bit 4	R/W	SLLBEN[4][5]	0
Bit 3	R/W	SLLBEN[4][4]	0
Bit 2	R/W	SLLBEN[4][3]	0
Bit 1	R/W	SLLBEN[4][2]	0
Bit 0	R/W	SLLBEN[4][1]	0

This Loop Back Register is provided at SPECTRA 1x2488 read/write address 0BH.

SLLBEN[4][12:1]

The system side/line loop back (SLLBEN[4][12:1]) bits enable the SLLBEN for the fourth STS-12/STM-4 slice. When a logic 1 is written to SLLBEN[4][X], the drop system data of STS-1/STM-0 path X is looped back into the add system data of STS-1/STM-0 path X. When a logic 0 is written to SLLBEN[4][X], the system side/line loop back is inactive.

Note: For proper operation when the AJ0J1_FP port does not contain valid framing, the AFPEN mode (bit 14 of register 0016H) must be configured and the AFPMASK mask (bit 15 of register 001DH) must be enabled. The TAPI block must be disabled for each path looped back if phase alignment between DJ0 and AJ0 is greater than 12 system clock cycles. Use TAPIBYPASS, bit 6 in TAPI indirect register 00H to disable the TAPI block.

Register 000EH: SPECTRA 1X2488 Line Activity Monitor

Bit	Type	Function	Default
Bit 15	—	Unused	X
Bit 14	—	Unused	X
Bit 13	—	Unused	X
Bit 12	—	Unused	X
Bit 11	—	Unused	X
Bit 10	—	Unused	X
Bit 9	—	Unused	X
Bit 8	—	Unused	X
Bit 7	R	TCLKACT[4]	X
Bit 6	R	TCLKACT[3]	X
Bit 5	R	TCLKACT[2]	X
Bit 4	R	TCLKACT[1]	X
Bit 3	R	RCLKACT[4]	X
Bit 2	R	RCLKACT[3]	X
Bit 1	R	RCLKACT[2]	X
Bit 0	R	RCLKACT[1]	X

The Line Activity Monitor is provided at SPECTRA 1x2488 read/write address 0EH.

RCLKACT[4:1]

The receive line activity monitor (RCLKACT[4:1]) signals are event detectors. RCLKACT[X] is asserted when a low to high transition occurs on the internal receive clock of slice X. RCLKACT[X] is cleared when the line activity monitor register is read.

Note: RCLKs are taken after SRLI.

TCLKACT[4:1]

The transmit line activity monitor (TCLKACT[4:1]) signals are event detectors. TCLKACT[X] is asserted when a low to high transition occurs on the internal transmit clock of slice X. TCLKACT[X] is cleared when the line activity monitor register is read.

Note: TCLKs are taken after STLI.

Register 000FH: SPECTRA 1X2488 Interrupt Status #0

Bit	Type	Function	Default
Bit 15	R/W	INTE	X
Bit 14	R	Unused	X
Bit 13	R	Unused	X
Bit 12	R	Unused	X
Bit 11	R	Unused	X
Bit 10	R	Unused	X
Bit 9	R	Unused	X
Bit 8	R	Unused	X
Bit 7	R	Unused	X
Bit 6	R	JAT622I[3]	X
Bit 5	R	JAT622I[2]	X
Bit 4	R	JAT622I[1]	X
Bit 3	R	JAT622I[0]	X
Bit 2	R	LAS4x622I	X
Bit 1	R	TCP2488I	X
Bit 0	R	RCS2488I	X

The Interrupt Status Register is provided at SPECTRA 1x2488 read/write address 0FH.

RCS2488I to JAT622I[3:0]

The RCS2488I to JAT622I[3:0] are interrupt status indicators for the corresponding block. The interrupt status is set to logic 1 to indicate a pending interrupt from the corresponding block. The interrupt status bits are independent of the interrupt enable bit.

INTE

The interrupt enable (INTE) bit controls the activation of the interrupt (INTB) output. When a logic 1 is written to INTE, the RCS2488I to JAT622I[3:0] pending interrupt will assert the interrupt (INTB) output. When a logic 0 is written to INTE, the RCS2488I to JAT622I[3:0] pending interrupt will not assert the interrupt (INTB) output.

Register 0010H: SPECTRA 1X2488 Interrupt Status #1

Bit	Type	Function	Default
Bit 15	R/W	INTE[1]	0
Bit 14	R	ASTSII	X
Bit 13	R	TAPII[1]	X
Bit 12	R	APRGMII[1]	X
Bit 11	R	TSVCAI[1]	X
Bit 10	R	DSTSII	X
Bit 9	R	DPRGMII[1]	X
Bit 8	R	SARCI[1]	X
Bit 7	R	RSVCAI[1]	X
Bit 6	R	PATHTU3RTTPI[1]	X
Bit 5	R	TU3RHPPI[1]	X
Bit 4	R	PATHRTTPI[1]	X
Bit 3	R	RHPPI[1]	X
Bit 2	R	SBERI[1]	X
Bit 1	R	RTTPI[1]	X
Bit 0	R	RRMPI[1]	X

The Interrupt Status Register is provided at SPECTRA 1x2488 read/write address 10H.

RRMPI[1] to ASTSII

The RRMPI[1] to ASTSII are interrupt status indicators for the corresponding block. The interrupt status is set to logic 1 to indicate a pending interrupt from the corresponding block. The interrupt status bits are independent of the interrupt enable bit.

INTE[1]

The interrupt enable (INTE[1]) bit controls the activation of the interrupt (INTB) output. When a logic 1 is written to INTE[1], the RRMPI[1] to ASTSI pending interrupt will assert the interrupt (INTB) output. When a logic 0 is written to INTE[1], the RRMPI[1] to ASTSI pending interrupt will not assert the interrupt (INTB) output.

Register 0011H: SPECTRA 1X2488 Interrupt Status #2

Bit	Type	Function	Default
Bit 15	R/W	INTE[2]	0
Bit 14	—	Unused	X
Bit 13	R	TAPII[2]	X
Bit 12	R	APRGMII[2]	X
Bit 11	R	TSVCAI[2]	X
Bit 10	—	Unused	X
Bit 9	R	DPRGMII[2]	X
Bit 8	R	SARCI[2]	X
Bit 7	R	RSVCAI[2]	X
Bit 6	R	PATHTU3RTTPI[2]	X
Bit 5	R	TU3RHPPI[2]	X
Bit 4	R	PATHRTTPI[2]	X
Bit 3	R	RHPPI[2]	X
Bit 2	R	SBERI[2]	X
Bit 1	R	RTTPI[2]	X
Bit 0	R	RRMPI[2]	X

The Interrupt Status Register is provided at SPECTRA 1x2488 read/write address 11H.

RRMPI[2] to TAPII[2]

The RRMPI[2] to TAPII[2] are interrupt status indicators for the corresponding block. The interrupt status is set to logic 1 to indicate a pending interrupt from the corresponding block. The interrupt status bits are independent of the interrupt enable bit.

INTE[2]

The interrupt enable (INTE[2]) bit controls the activation of the interrupt (INTB) output. When a logic 1 is written to INTE[2], the RRMP[2] to TAPII[2] pending interrupt will assert the interrupt (INTB) output. When a logic 0 is written to INTE[2], the RRMP[2] to TAPII[2] pending interrupt will not assert the interrupt (INTB) output.

Register 0012H: SPECTRA 1X2488 Interrupt Status #3

Bit	Type	Function	Default
Bit 15	R/W	INTE[3]	0
Bit 14	—	Unused	X
Bit 13	R	TAPII[3]	X
Bit 12	R	APRGMII[3]	X
Bit 11	R	TSVCAI[3]	X
Bit 10	—	Unused	X
Bit 9	R	DPRGMII[3]	X
Bit 8	R	SARCI[3]	X
Bit 7	R	RSVCAI[3]	X
Bit 6	R	PATHTU3RTTPI[3]	X
Bit 5	R	TU3RHPPI[3]	X
Bit 4	R	PATHRTTPI[3]	X
Bit 3	R	RHPPI[3]	X
Bit 2	R	SBERI[3]	X
Bit 1	R	RTTPI[3]	X
Bit 0	R	RRMPI[3]	X

The Interrupt Status Register is provided at SPECTRA 1x2488 read/write address 12H.

RRMPI[3] to TAPII[3]

The RRMPI[3] to TAPII[3] are interrupt status indicators for the corresponding block. The interrupt status is set to logic 1 to indicate a pending interrupt from the corresponding block. The interrupt status bits are independent of the interrupt enable bit.

INTE[3]

The interrupt enable (INTE[3]) bit controls the activation of the interrupt (INTB) output. When a logic 1 is written to INTE[3], the RRMP[3] to TAPII[3] pending interrupt will assert the interrupt (INTB) output. When a logic 0 is written to INTE[3], the RRMP[3] to TAPII[3] pending interrupt will not assert the interrupt (INTB) output.

Register 0013H: SPECTRA 1X2488 Interrupt Status #4

Bit	Type	Function	Default
Bit 15	R/W	INTE[4]	0
Bit 14	R	ADLLI	X
Bit 13	R	TAPII[4]	X
Bit 12	R	APRGMII[4]	X
Bit 11	R	TSVCAI[4]	X
Bit 10	R	DDLLI	X
Bit 9	R	DPRGMII[4]	X
Bit 8	R	SARCI[4]	X
Bit 7	R	RSVCAI[4]	X
Bit 6	R	PATHTU3RTTPI[4]	X
Bit 5	R	TU3RHPPI[4]	X
Bit 4	R	PATHRTTPI[4]	X
Bit 3	R	RHPPI[4]	X
Bit 2	R	SBERI[4]	X
Bit 1	R	RTTPI[4]	X
Bit 0	R	RRMPI[4]	X

The Interrupt Status Register is provided at SPECTRA 1x2488 read/write address 13H.

RRMPI[4] to TAPII[4], ADLLI

The RRMPI[4] to TAPII[4] and ADLLI are interrupt status indicators for the corresponding block. The interrupt status is set to logic 1 to indicate a pending interrupt from the corresponding block. The interrupt status bits are independent of the interrupt enable bit.

INTE[4]

The interrupt enable (INTE[4]) bit controls the activation of the interrupt (INTB) output. When a logic 1 is written to INTE[4], the RRMP[4] to TAPII[4] pending interrupt will assert the interrupt (INTB) output. When a logic 0 is written to INTE[4], the RRMP[4] to TAPII[4] pending interrupt will not assert the interrupt (INTB) output.

Register 0014H: SPECTRA 1X2488 Drop System Configuration

Bit	Type	Function	Default
Bit 15	—	Unused	X
Bit 14	R/W	DFPEN	0
Bit 13	—	Unused	X
Bit 12	—	Unused	X
Bit 11	—	Unused	X
Bit 10	—	Unused	X
Bit 9	—	Unused	X
Bit 8	—	Unused	X
Bit 7	—	Unused	X
Bit 6	—	Unused	X
Bit 5	—	Unused	X
Bit 4	—	Unused	X
Bit 3	R/W	DJ0J1PAREN	0
Bit 2	R/W	DPLPAREN	0
Bit 1	R/W	D32PAREN	0
Bit 0	R/W	DODDPAREN	0

The Drop Side Configuration Register is provided at SPECTRA 1x2488 read/write address 14H.

DODDPAREN

The drop bus odd parity enable (DODDPAREN) bit selects the parity of the drop bus. When a logic 1 is written to DODDPAREN, the parity of the drop bus is odd. When a logic 0 is written to DODDPAREN, the parity of the drop bus is even.

D32PAREN

The drop bus 32 bits parity enable (D32PAREN) bit selects between an independent parity for each drop bus and a combined parity for the four-drop bus. When a logic 1 is written to D32PAREN, DP1 contains a parity calculated over the four-drop bus (DP2-4 are set to zero). When a logic 0 is written to D32PAREN, DP1-4 contain a parity calculated over the individual drop bus.

DPLPAREN

The drop bus payload indication parity enable (DPLPAREN) bit selects if the payload indication is included or not in the parity calculation. When a logic 1 is written to DPLPAREN, DPL is included in the parity calculation. When a logic 0 is written to DPLPAREN, DPL is not included in the parity calculation.

DJ0J1PAREN

The drop bus J0J1 indication parity enable (DJ0J1PAREN) bit selects if the J0J1 indication is included or not in the parity calculation. When a logic 1 is written to DJ0J1PAREN, DJ0J1 is included in the parity calculation. When a logic 0 is written to DJ0J1PAREN, DJ0J1 is not included in the parity calculation.

DFPEN

The drop bus frame pulse enable (DFPEN) bit selects if the DJ0REF input is asserted to force the J0 byte on the drop bus or to force the payload byte following the J0/Z0 bytes on the drop bus. When a logic 1 is written to DFPEN, DJ0REF is asserted to force the payload byte following the J0/Z0 byte on the drop bus. When a logic 0 is written to DFPEN, DJ0REF is asserted to force the J0 bytes on the drop bus.

Register 0016H: SPECTRA 1X2488 Add System Configuration

Bit	Type	Function	Default
Bit 15	R/W	Reserved	0
Bit 14	R/W	AFPEN	0
Bit 13	—	Unused	X
Bit 12	—	Unused	X
Bit 11	—	Unused	X
Bit 10	—	Unused	X
Bit 9	—	Unused	X
Bit 8	—	Unused	X
Bit 7	R/W	APARERRE[4]	0
Bit 6	R/W	APARERRE[3]	0
Bit 5	R/W	APARERRE[2]	0
Bit 4	R/W	APARERRE[1]	0
Bit 3	R/W	AJ0J1PAREN	0
Bit 2	R/W	APLPAREN	0
Bit 1	R/W	A32PAREN	0
Bit 0	R/W	AODDPAREN	0

The Add System Configuration Register is provided at SPECTRA 1x2488 read/write address 16H.

AODDPAREN

The add bus odd parity enable (AODDPAREN) bit selects the parity of the add bus. When a logic 1 is written to AODDPAREN, the parity of the drop bus is ODD. When a logic 0 is written to AODDPAREN, the parity of the drop bus is even.

A32PAREN

The add bus 32 bits parity enable (A32PAREN) bit selects between an independent parity for each add bus or a combine parity for the four add bus. When a logic 1 is written to A32PAREN, AP1 contains a parity calculated over the four add bus (AP2-4 must be set to zero). When a logic 0 is written to A32PAREN, AP1-4 contain a parity calculated over the individual add bus.

APLPAREN

The add bus payload indication parity enable (APLPAREN) bit selects if the payload indication is included or not in the parity calculation. When a logic 1 is written to APLPAREN, APL is included in the parity calculation. When a logic 0 is written to APLPAREN, APL is not included in the parity calculation.

AJ0J1PAREN

The add bus J0J1 indication parity enable (AJ0J1PAREN) bit selects if the J0J1 indication is included or not in the parity calculation. When a logic 1 is written to AJ0J1PAREN, AJ0J1 is included in the parity calculation. When a logic 0 is written to AJ0J1PAREN, AJ0J1 is not included in the parity calculation.

APARERRE[4:1]

The add bus parity error interrupt enable (APARERRE[4:1]) bits control the activation of the interrupt (INTB) output for the corresponding add bus. When a logic 1 is written to APARERRE[X] and the corresponding slice interrupt enable (bit 15 of 0010H to 0013H) is set high, an add bus parity error will assert the interrupt (INTB) output. When a logic 0 is written to APARERRE[X] or the corresponding slice interrupt enable (bit 15 of 0010H to 0013H) is set low, an add bus parity error will not assert the interrupt (INTB) output.

AFPEN

The add bus frame pulse enable (AFPEN) bit selects if the AJ0J1_FP input is asserted to indicate the J0 byte on the add bus or to indicate the payload byte following the J0/Z0 bytes on the add bus. When a logic 1 is written to AFPEN, AJ0J1_FP is asserted to indicate the payload byte following the J0/Z0 byte on the add bus. When a logic 0 is written to AFPEN, AJ0J1_FP is asserted to indicate the J0 byte on the add bus.

Reserved

The reserved bit must be programmed to its default value for proper operation.

Register 0017H: SPECTRA 1X2488 Add Parity Interrupt Status

Bit	Type	Function	Default
Bit 15	—	Unused	X
Bit 14	—	Unused	X
Bit 13	—	Unused	X
Bit 12	—	Unused	X
Bit 11	—	Unused	X
Bit 10	—	Unused	X
Bit 9	—	Unused	X
Bit 8	—	Unused	X
Bit 7	—	Unused	X
Bit 6	—	Unused	X
Bit 5	—	Unused	X
Bit 4	—	Unused	X
Bit 3	R	APARERRI[4]	X
Bit 2	R	APARERRI[3]	X
Bit 1	R	APARERRI[2]	X
Bit 0	R	APARERRI[1]	X

The Add Parity Interrupt Status Register is provided at SPECTRA 1x2488 read/write address 17H.

APARERRI [4:1]

The add bus parity error interrupt status (APARERRI [4:1]) bits are event indicators. APARERRI[X] is set to logic 1 to indicate any add bus parity error in the corresponding add bus. The interrupt status bits are independent of the interrupt enable bits. APARERR [X] is cleared when the add parity interrupt status register is read.

Register 0018H: SPECTRA 1X2488 System Activity Monitor

Bit	Type	Function	Default
Bit 15	—	Unused	X
Bit 14	—	Unused	X
Bit 13	R	DCKACT	X
Bit 12	R	ACKACT	X
Bit 11	R	AJ0J1ACT[4]	X
Bit 10	R	APLDACT [4]	X
Bit 9	R	ADATAACT [4]	X
Bit 8	R	AJ0J1ACT [3]	X
Bit 7	R	APLDACT [3]	X
Bit 6	R	ADATAACT [3]	X
Bit 5	R	AJ0J1ACT [2]	X
Bit 4	R	APLDACT [2]	X
Bit 3	R	ADATAACT [2]	X
Bit 2	R	AJ0J1ACT [1]	X
Bit 1	R	APLDACT [1]	X
Bit 0	R	ADATAACT [1]	X

The System Activity Monitor is provided at SPECTRA 1x2488 read/write address 18H.

ADATAACT[4:1]

The add data activity monitor (ADATAACT[1:4]) signals are event detectors. ADATAACT[X] is asserted when a low to high transition occurs on the add data bus of slice X. ADATAACT[X] is cleared when the system activity monitor register is read.

APLDACT[4:1]

The add payload activity monitor (APLDACT[4:1]) signals are event detectors. APLDACT[X] is asserted when a low to high transition occurs on the add payload indication of slice X. APLDACT[X] is cleared when the system activity monitor register is read.

AJ0J1ACT[4:1]

The add J0J1 activity monitor (AJ0J1ACT[4:1]) signals are event detectors. AJ0J1ACT[X] is asserted when a low to high transition occurs on the add J0J1 indication of slice X. AJ0J1ACT[X] is cleared when the system activity monitor register is read.

ACKACT

The add system clock activity monitor (ACKACT) signal is an event detector. ACKACT is asserted when a low to high transition occurs on the add system clock. ACKACT is cleared when the system activity monitor register is read.

DCKACT

The drop system clock activity monitor (DCKACT) signal is an event detector. DCKACT is asserted when a low to high transition occurs on the drop system clock. DCKACT is cleared when the system activity monitor register is read.

Downloaded by Content Team of Partminer Inc on Thursday, 27 April, 2016 09:55:00 AM

Register 0019H: SPECTRA 1X2488 TAPI Path AIS Configuration

Bit	Type	Function	Default
Bit 15	—	Unused	X
Bit 14	—	Unused	X
Bit 13	—	Unused	X
Bit 12	—	Unused	X
Bit 11	—	Unused	X
Bit 10	—	Unused	X
Bit 9	—	Unused	X
Bit 8	—	Unused	X
Bit 7	—	Unused	X
Bit 6	—	Unused	X
Bit 5	—	Unused	X
Bit 4	—	Unused	X
Bit 3	R/W	PAISPTRCFG[1]	0
Bit 2	R/W	PAISPTRCFG[0]	0
Bit 1	R/W	PLOPTRCFG[1]	0
Bit 0	R/W	PLOPTRCFG [0]	0

The TAPI Path AIS Configuration is provided at SPECTRA 1x2488 read/write address 19H.

PLOPTRCFG[1:0]

The path loss of pointer configuration (PLOPTRCFG[1:0]) bits define the LOP-P defect. When PLOPTRCFG[1:0] is set to 00b, an LOP-P defect is declared when the pointer is in the LOP state and an LOP-P defect is removed when the pointer is not in the LOP state.

When PLOPTRCFG[1:0] is set to 01b, an LOP-P defect is declared when the pointer or any of the concatenated pointers is in the LOP state and an LOP-P defect is removed when the pointer and all the concatenation pointers are not in the LOP state.

When PLOPTRCFG[1:0] is set to 10b, an LOP-P defect is declared when the pointer or any of the concatenated pointers is in the LOP state or in the AIS state and an LOP-P defect is removed when the pointer and all the concatenation pointers are not in the LOP state or in the AIS state.

PAISPTRCFG[1:0]

The path AIS pointer configuration (PAISPTRCFG[1:0]) bits define the AIS-P defect. When PAISPTRCFG[1:0] is set to 00b, an AIS-P defect is declared when the pointer is in the AIS state and an AIS-P defect is removed when the pointer is not in the AIS state.

When PAISPTRCFG[1:0] is set to 01b, an AIS-P defect is declared when the pointer or any of the concatenated pointers is in the AIS state and an AIS-P defect is removed when the pointer and all the concatenation pointers are not in the AIS state.

When PAISPTRCFG[1:0] is set to 10b, an AIS-P defect is declared when the pointer and all the concatenated pointers are in the AIS state and an AIS-P defect is removed when the pointer or any of the concatenation pointers is not in the AIS state.

Register 001AH: SPECTRA 1X2488 Version ID

Bit	Type	Function	Default
Bit 15	R	Unused	X
Bit 14	R	Unused	X
Bit 13	R	Unused	X
Bit 12	R	Unused	X
Bit 11	R	Unused	X
Bit 10	R	Unused	X
Bit 9	R	Unused	X
Bit 8	R	Unused	X
Bit 7	R	Unused	X
Bit 6	R	Unused	X
Bit 5	R	Unused	X
Bit 4	R	Unused	X
Bit 3	R	VERSION[3]	0
Bit 2	R	VERSION[2]	0
Bit 1	R	VERSION[1]	0
Bit 0	R	VERSION[0]	0

The Version ID Register is provided at SPECTRA 1x2488 read/write address 1AH.

VERSION[3:0]

The VERSION[3:0] bits report the revision of the SPECTRA 1x2488 device.

SPECTRA 1x2488 Register 001BH: SPECTRA 1X2488 Chip ID

Bit	Type	Function	Default
Bit 15	R	CHIPID[15]	0
Bit 14	R	CHIPID[14]	1
Bit 13	R	CHIPID[13]	0
Bit 12	R	CHIPID[12]	1
Bit 11	R	CHIPID[11]	0
Bit 10	R	CHIPID[10]	0
Bit 9	R	CHIPID[9]	1
Bit 8	R	CHIPID[8]	1
Bit 7	R	CHIPID[7]	0
Bit 6	R	CHIPID[6]	0
Bit 5	R	CHIPID[5]	1
Bit 4	R	CHIPID[4]	1
Bit 3	R	CHIPID[3]	0
Bit 2	R	CHIPID[2]	0
Bit 1	R	CHIPID[1]	1
Bit 0	R	CHIPID[0]	0

The Chip ID Register is provided at SPECTRA 1x2488 read/write address 1BH.

CHIPID[15:0]

The CHIPID[15:0] bits represent the part number of the SPECTRA 1x2488 device.

Register 001CH: SPECTRA 1X2488 DOOL, LOS and SD Defect Enable

Bit	Type	Function	Default
Bit 15	R/W	DOOL_DEFECT_EN[3]	0
Bit 14	R/W	DOOL_DEFECT_EN[2]	0
Bit 13	R/W	DOOL_DEFECT_EN[1]	0
Bit 12	R/W	DOOL_DEFECT_EN[0]	0
Bit 11	R/W	LOS_DEFECT_EN[3]	1
Bit 10	R/W	LOS_DEFECT_EN[2]	1
Bit 9	R/W	LOS_DEFECT_EN[1]	1
Bit 8	R/W	LOS_DEFECT_EN[0]	1
Bit 7	R/W	SD_DEFECT_EN [3]	1
Bit 6	R/W	SD_DEFECT_EN [2]	1
Bit 5	R/W	SD_DEFECT_EN [1]	1
Bit 4	R/W	SD_DEFECT_EN [0]	1
Bit 3	R/W	Reserved	0
Bit 2	R/W	DOOL_DEFECT_EN	0
Bit 1	R/W	LOS_DEFECT_EN	1
Bit 0	R/W	SD_DEFECT_EN	1

The DOOL, LOS and SD Defect Enable Register is provided at SPECTRA 1x2488 read/write address 1DH.

SD_DEFECT_EN

In 1x2488 mode, the SD_DEFECT_EN bit is used to force an AIS-L on the internal data path as soon as the SD is deasserted (after programmable inversion in the wrapper). This will prevent the internal framer's (RRMP) descrambler from producing a scrambled all zeros pattern that, when passed through a transmitter's scrambler, will generate the all zeros pattern again. An extended all zeros pattern at the transmitter could potentially cause a loss of lock at the downstream receiver.

LOS_DEFECT_EN

In 1x2488 mode, the LOS_DEFECT_EN bit is used to force an AIS-L on the internal data path as soon as an LOS is detected. This will prevent the internal framer's (RRMP) descrambler from producing a scrambled all zeros pattern that, when passed through a transmitter's scrambler, will generate the all zeros pattern again. An extended all zeros pattern at the transmitter could potentially cause a loss of lock at the downstream receiver.

DOOL_DEFECT_EN

In 1s2488 mode, the DOOL_DEFECT_EN bit is used to force an AIS-L on the internal data path as soon as a DOOL is detected. This will prevent the internal framer's (RRMP) descrambler from producing a scrambled all zeros pattern that, when passed through a transmitter's scrambler, will generate the all zeros pattern again. An extended all zeros pattern at the transmitter could potentially cause a loss of lock at the downstream receiver.

Reserved

The reserved bit must be programmed to its default value for proper operation.

SD_DEFECT_EN[3:0]

In QUAD-622 mode, the SD_DEFECT_EN[3:0] bits are used to force an AIS-L on the internal data path as soon as SD1-4 is deasserted (after programmable inversion in shim). This will prevent the internal framer's (RRMP) descrambler from producing a scrambled all zeros pattern that, when passed through a transmitter's scrambler, will generate the all zeros pattern again. An extended all zeros pattern at the transmitter could potentially cause a loss of lock at the downstream receiver.

LOS_DEFECT_EN[3:0]

In QUAD-622 mode, the LOS_DEFECT_EN[3:0] bits are used to force an AIS-L on the internal data path as soon as an LOS is detected. This will prevent the internal framer's (RRMP) descrambler from producing a scrambled all zeros pattern that, when passed through a transmitter's scrambler, will generate the all zeros pattern again. An extended all zeros pattern at the transmitter could potentially cause a loss of lock at the downstream receiver.

DOOL_DEFECT_EN[3:0]

In QUAD-622 mode, the DOOL_DEFECT_EN[3:0] bits are used to force an AIS-L on the internal data path as soon as a DOOL is detected. This will prevent the internal framer's (RRMP) descrambler from producing a scrambled all zeros pattern that, when passed through a transmitter's scrambler, will generate the all zeros pattern again. An extended all zeros pattern at the transmitter could potentially cause a loss of lock at the downstream receiver.

Register 001DH: SPECTRA 1X2488 Miscellaneous Configuration #1

Bit	Type	Function	Default
Bit 15	R/W	AFPMASK	0
Bit 14	R/W	Reserved	0
Bit 13	R/W	Reserved	0
Bit 12	R/W	Reserved	0
Bit 11	R/W	Reserved	0
Bit 10	R/W	Reserved	0
Bit 9	R/W	Reserved	0
Bit 8	R/W	Reserved	0
Bit 7	R/W	Reserved	0
Bit 6	R/W	Reserved	0
Bit 5	R/W	Reserved	0
Bit 4	R/W	Reserved	0
Bit 3	R/W	Reserved	0
Bit 2	R/W	Reserved	0
Bit 1	R/W	Reserved	0
Bit 0	R/W	Reserved	0

The Miscellaneous Configuration Register is provided at SPECTRA 1x2488 read/write address 1DH.

Reserved

The reserved bits must be programmed to their default values for proper operation.

AFPMASK

The Add Frame Pulse Mask (AFPMASK) bit defines the behavior of the AJ0J1_FP[1:4] input pin. When a logic 1 is written to AFPMASK, AJ0J1_FP[1:4] input pin is not resetting the frame counter. When a logic 0 is written to AFPMASK, AJ0J1_FP[1:4] input pin resets the frame counter. AFPEN must be set to logic 1 for AFPMASK to mask AJ0J1_FP[1:4].

Register 001FH: SPECTRA 1X2488 Free Registers

Bit	Type	Function	Default
Bit 15	R/W	FREE[15]	0
Bit 14	R/W	FREE[14]	0
Bit 13	R/W	FREE[13]	0
Bit 12	R/W	FREE[12]	0
Bit 11	R/W	FREE[11]	0
Bit 10	R/W	FREE[10]	0
Bit 9	R/W	FREE[9]	0
Bit 8	R/W	FREE[8]	0
Bit 7	R/W	FREE[7]	0
Bit 6	R/W	FREE[6]	0
Bit 5	R/W	FREE[5]	0
Bit 4	R/W	FREE[4]	0
Bit 3	R/W	FREE[3]	0
Bit 2	R/W	FREE[2]	0
Bit 1	R/W	FREE[1]	0
Bit 0	R/W	FREE[0]	0

The Free Register is provided at SPECTRA 1x2488 read/write address 1FH.

FREE[15:0]

The free register (FREE[15:0]) bits can be used as scratch registers by the external microprocessor.

Register 0020H: Rx2488 Analog Interrupt Status

Bit	Type	Function	Default
Bit 15	R	CRU_CLOCK	1
Bit 14	R	Reserved	1
Bit 13	—	Unused	X
Bit 12	—	Unused	X
Bit 11	—	Unused	X
Bit 10	—	Unused	X
Bit 9	—	Unused	X
Bit 8	—	Unused	X
Bit 7	—	Unused	X
Bit 6	—	Unused	X
Bit 5	R	Reserved	0
Bit 4	R	Reserved	0
Bit 3	R	Reserved	0
Bit 2	R	LOSI	0
Bit 1	R	DOOLI	0
Bit 0	R	ROOLI	0

ROOLI

The recovered reference out of lock (ROOLI) status indicates that the clock recovery phase locked loop is unable to lock to the reference clock on REFCLK. At startup, ROOLI may remain at logic 1 for several hundred milliseconds while the PLL obtains lock. If (WCIMODE XOR WCIMODE_1x2488) is logic 1, only over-writing with a '1' clears this bit. If (WCIMODE XOR WCIMODE_1x2488) is logic 0, then a read of this register automatically clears the bit.

DOOLI

The recovered data out of lock (DOOLI) status indicates that the clock recovery phase locked loop is unable to recover and lock to the input data stream. DOOLI is a logic 1 if the divided down recovered clock frequency is not within ± 1000 ppm of the REFCLK frequency or if no transitions have occurred on the RXD input for more than LOS_COUNT[4:0] bits. Note: recall that LOS_COUNT[4:0] is specified as the upper 5 bits of a 9-bit number and has an accuracy of ± 15 . If (WCIMODE XOR WCIMODE_1x2488) is logic 1, only over-writing with a '1' clears this bit. If (WCIMODE XOR WCIMODE_1x2488) is logic 0, then a read of this register automatically clears the bit.

If the optical signal is lost, the SD input pin should be deasserted. This will cause the CRU into training mode where it will lock onto the REFCLK input. However, the state-machine that controls DOOLI will continue to search for lock to data and is expected to toggle during this time. When the optical signal is restored and the SD input pin is asserted, the CRU will once again attempt to lock onto the data signal. Once lock is found, DOOLI will stop toggling and DOOLV can be examined to verify the CRU is in fact locked to the data.

Note: The DOOL detection accuracy is affected by jitter on the recovered clock. As a result, the clock skew needed to declare DOOL could exceed +/- 999ppm.

LOSI

The loss of signal (LOSI) status indicates that the receive signal has exceeded a maximum number of consecutive ones or zeros. LOSI is a logic 0 if the SDI input is high or less than LOS_COUNT[4:0] consecutive ones or zeros have been received. LOSI is a logic 1 if the SDI input is low or LOS_COUNT[4:0] consecutive ones or zeros have been received. Note: recall that LOS_COUNT[4:0] is specified as the upper 5 bits of a 9-bit number and has an accuracy of ± 15 . If (WCIMODE XOR WCIMODE_1x2488) is logic 1, only over-writing with a '1' clears this bit. If (WCIMODE XOR WCIMODE_1x2488) is logic 0, then a read of this register automatically clears the bit.

Reserved

The reserved bits must be programmed to their default values for proper operation.

CRU_CLOCK

The CRU_CLOCK status bit monitors the state of the CRU clock. Each time this Register is read, the sampling register is reset. The CRU_CLOCK is set high when the CRU clock transitions from low to high at least once. The CRU_CLOCK is reset low after Register 00H is read and will remain low if no transitions occur on the CRU clock.

Register 0021H: Rx2488 Analog Interrupt Control (Single 2488 Mode Only)

Bit	Type	Function	Default
Bit 15	R/W	SDI_MASK	0
Bit 14	—	Unused	X
Bit 13	—	Unused	X
Bit 12	—	Unused	X
Bit 11	—	Unused	X
Bit 10	—	Unused	X
Bit 9	—	Unused	X
Bit 8	—	Unused	X
Bit 7	—	Unused	X
Bit 6	—	Unused	X
Bit 5	R/W	Reserved	0
Bit 4	R/W	Reserved	0
Bit 3	R/W	Reserved	0
Bit 2	R/W	LOSE	0
Bit 1	R/W	DOOLE	0
Bit 0	R/W	ROOLE	0

ROOLE

The Reference Out Of Lock Enable (ROOLE) bit connects the ROOLI status bit to the INT pin of the RCS_2488. When ROOLE is set to logic 1, an interrupt on the INT pin is generated upon assertion of the ROOLI register bit. When ROOLE is set low, a change in the ROOLI status does not generate an interrupt.

DOOLE

The Data Out Of Lock Enable (DOOLE) bit connects the DOOLI status bit to the INT pin of the RCS_2488. When DOOLE is set to logic 1, an interrupt on the INT is generated upon assertion of the DOOLI register bit. When DOOLE is set low, a change in the DOOLI status does not generate an interrupt.

Note: The DOOL detection accuracy is affected by jitter on the recovered clock. As a result, the clock skew needed to declare DOOL could exceed +/- 999ppm.

LOSE

The Loss of Signal Enable (LOSE) bit connects the LOSI status bit to the INT pin of the RCS_2488. When LOSE is set to logic 1, an interrupt on the INT is generated upon assertion of the LOSI register bit. When LOSE is set low, a change in the LOSI status does not generate an interrupt.

Reserved

The reserved bits must be programmed to their default values for proper operation.

SDI_MASK

The Signal Detect Mask bit controls the operation of the SD1 input pin. When SDI_MASK is set to a logic 1 the SD1 input will be ignored and the internal signal will be forced to the active state and all down stream blocks will operate normally. When SDI_MASK is set to logic 0 the internal signal follows the state of the SD1 input pin and the state of INV_SDI_EN bit.

Register 0022H: Rx2488 Analog CRU Control

Bit	Type	Function	Default
Bit 15	R/W	Reserved	1
Bit 14	R/W	CRU_RESET	0
Bit 13	R/W	Reserved	1
Bit 12	R/W	RX2488_ENABLE	1
Bit 11	R/W	CRU_ENABLE	1
Bit 10	R/W	Reserved	0
Bit 9	R/W	Reserved	0
Bit 8	R/W	SLICE1_RX622_EN	0
Bit 7	R/W	SDLE2488	0
Bit 6	R/W	Reserved	0
Bit 5	R/W	Reserved	1
Bit 4	R/W	Reserved	0
Bit 3	R/W	Reserved	1
Bit 2	R/W	Reserved	0
Bit 1	R/W	Reserved	1
Bit 0	R/W	Reserved	1

Reserved

The reserved bits must be programmed to their default values for proper operation.

SDLE2488

The Serial Diagnostic Loop Back Enable (SDLE2488) bit, when set to logic 1, loops the data from the transmit line PISO to the receive side CRU/SIPO. In the loop back mode, the CRU locks to the loop back data.

SLICE1_RX622_EN

Rx STS-12 Slice #1 enable. The SLICE1_RX622_EN bits controls the Rx STS-12 Slice #1 ports using RXD1_P/N. When SLICE1_RX622_EN is set to logic 0 (the default), the logic supporting Rx STS-12 Slice #1 is disabled. When SLICE1_RX622_EN is set to logic 1 the RXD1_P/N inputs is used as the Rx STS-1 slice #1 input.

CRU_ENABLE

The Clock Recovery Unit Enable bit provides a global power down of the CRU Analog Block Circuit. When set to logic 0, this bit forces the CRU to a low power state and functionality is disabled. When set to logic 1, the CRU operates in the normal mode of operation.

RX2488_ENABLE

The 2.488GHz Receiver Enable bit provides a global power down of the RX2488 Analog Block Circuit. When set to logic 0, this bit forces the RX2488 to a low power state and functionality is disabled. When set to logic 1, the RX2488 operates in the normal mode of operation.

CRU_RESET

The Clock Recovery Unit Reset bit provides a complete reset of the CRU Analog Block Circuit. When set to logic 1, this bit forces the CRU to a known initial state. While the bit is set to logic 1, the functionality of the block is disabled. When set to logic 0, the CRU operates in the normal mode. This bit is not self-clearing. Therefore a '0' must be written to the bit to remove the reset condition. Note: To ensure a complete CRU reset, this bit should be toggled for a minimum period of 100 μ S.

Register 0023H: Rx2488 Analog CRU Clock Training Configuration and Status (Single 2488 Mode Only)

Bit	Type	Function	Default
Bit 15	R/W	LOS_COUNT[4]	0
Bit 14	R/W	LOS_COUNT[3]	1
Bit 13	R/W	LOS_COUNT[2]	0
Bit 12	R/W	LOS_COUNT[1]	0
Bit 11	R/W	LOS_COUNT[0]	0
Bit 10	R/W	LOS_EN	1
Bit 9	R/W	LINE_LOOP_BACK	0
Bit 8	R/W	INV_SDI_EN	0
Bit 7	R/W	RX_INV_DATA_EN	0
Bit 6	R	DOOLV	1
Bit 5	R	ROOLV	1
Bit 4	R	TRAIN	0
Bit 3	R/W	Reserved	1
Bit 2	R/W	Reserved	1
Bit 1	R/W	Reserved	1
Bit 0	R/W	Reserved	1

Reserved

The reserved bits must be programmed to their default values for proper operation.

TRAIN

The CRU reference training status indicates if the CRU is locking to the reference clock or the locking to the receive data. TRAIN is a logic 0 if the CRU is locking or locked to the reference clock. TRAIN is a logic 1 if the CRU is locking or locked to the receive data. TRAIN is invalid if the CRU is not used.

When the optical signal is lost, the SD input pin is expected to be deasserted. In this state, the CRU will be forced into training mode and will lock to REFCLK. However, the state-machine, which controls the TRAIN register bit, will continue looking at the data and will occasionally change states. However, the CRU will remain locked to REFCLK until SD is once again asserted.

ROOLV

The recovered reference out of lock status indicates that the clock recovery phase locked loop is unable to lock to the reference clock on REFCLK. At startup, ROOLV may remain at logic 1 for several hundred milliseconds while the PLL obtains lock.

DOOLV

The recovered data out of lock status indicates that the clock recovery phase locked loop is unable to recover and lock to the input data stream. DOOLV is logic 1 if the divided down recovered clock frequency is not within approximately 488ppm of the REFCLK frequency or if LOSI interrupt has been triggered.

Note: The DOOL detection accuracy is affected by jitter on the recovered clock. As a result, the clock skew needed to declare DOOL could exceed +/- 999ppm.

RX_INV_DATA_EN (Single 2488 mode only)

The Serial Data Inversion RX_INV_DATA_EN controls the polarity of the received data. When RX_INV_DATA_EN is set to logic 1, the polarity of the RXD1_P/RXD1_N input pins invert. When RX_INV_DATA_EN is set to logic 0, the RXD1_P/RXD1_N inputs operate normally.

INV_SDI_EN (Single 2488 mode only)

The Signal Detect Inversion INV_SDI_EN controls the polarity of the SD1 input pin. When INV_SDI_EN is set to logic 1 the polarity of the SD1 input pin is inverted. When INV_SDI_EN is set to logic 0 the polarity of the SD1 input remains unchanged.

LINE_LOOP_BACK (Single 2488 mode only)

The line loop back bit selects the source of the timing for the parallel data output of the receive FIFO. When the LINE_LOOP_BACK is set to logic 1, the output data of this FIFO is timed to the clock of the SPECTRA 1x2488 transmitter. Either the SPECTRA 1x2488 or the upstream device must be in loop-timed mode for the line-loop back mode to work properly. When reset to logic 0, the receive FIFO output data is timed using either the receive-side-CSU clock or the CRU clock depending on the state of the FIFO_CLOCK Register bit.

For chip-level line loop back, this LINE_LOOP_BACK bit and the SLLE2488 register bit in the Tx2488 Analog Control/Status register (register 0020H) must be set to logic 1. As well, the LOOPTIMEB register bit in the Tx2488 ABC Control register (register 0021H) must be set to logic 0.

LOS_EN

The loss of signal enable bit controls the signal detection logic. The CRU uses the LOS detector along with the clock difference detector to determine if the CRU is locked to data. When LOS_EN is set to logic 1, the incoming signal is monitored for 1/0 transitions as determined by LOS_COUNT[4:0] register bits. If LOS_EN is reset to logic 0, the 1/0 transition detector is disabled. Note: recall that LOS_COUNT[4:0] is specified as the upper 5 bits of an 11-bit number and has an accuracy of ± 15 .

LOS_COUNT[4:0]

The Loss of Signal ones/zeros transition detector count field sets the value for the number of consecutive all-zeros or all-ones pattern that will force the CRU out of the LOCK TO DATA state. Each bit in the binary count represents sixteen ones or zeros in the pattern. (i.e. LOS_COUNT[4:0] has an accuracy of ± 15). For example, to set the consecutive all-ones or all-zeros pattern to 128 the LOS_COUNT[4:0] should be set to "01000"b. The default value for this field is 128.

Register 0030H: Quad 622 MABC General Control Register (Quad 622 Mode Only)

Bit	Type	Function	Default
Bit 15	—	Unused	X
Bit 14	—	Unused	X
Bit 13	—	Unused	X
Bit 12	—	Unused	X
Bit 11	—	Unused	X
Bit 10	—	Unused	X
Bit 9	—	Unused	X
Bit 8	—	Unused	X
Bit 7	—	Unused	X
Bit 6	—	Unused	X
Bit 5	R/W	Reserved	1
Bit 4	R/W	IREF_CTRL[1]	1
Bit 3	R/W	Reserved	0
Bit 2	R/W	REF_MODE	0
Bit 1	R/W	Reserved	0
Bit 0	R/W	MABC_ENB	0

The MABC General Control Register is provided at SPECTRA 1x2488 read/write address 0030H.

MABC_ENB

The global enable control register bit MABC_ENB disables the entire 4x622MABC into low-power mode when set to logic 1. When MABC_ENB is set to logic 0 and the input pin QUAD622 is logic 1, the MABC will be in normal operation.

Reserved

The reserved bits must be programmed to their default values for proper operation.

REF_MODE

The reference clock mode select register bit is used to select reference frequency for the 4x622MABC. When set to logic 0, the input reference clock must be 77.76 MHz. When set to logic 1 the input reference clock frequency must be 155.52 MHz. Note: the IREF_CTRL[1]. bit must also be set accordingly for 77.76 MHz and the 155.52 MHz operation in addition to REF_MODE.IREF_CTRL[1]

The input reference control bit selects the CSUR reference clock rate. When a logic '1' is written to IREF_CTRL[1], the REF77_P/N reference clock input must be 77.76 MHz. When a logic '0' is written to IREF_CTRL[1], the REF77_P/N reference clock input must be 155.52 MHz. Note the REF_MODE bit must also be set accordingly for 77.76 MHz and the 155.52 MHz operation in addition to IREF_CTRL[1].

Register 0031H: Quad 622 Rx MABC Control Register (Quad 622 Mode Only)

Bit	Type	Function	Default
Bit 15	R/W	Reserved	0
Bit 14	R/W	Reserved	1
Bit 13	R/W	Reserved	0
Bit 12	R/W	Reserved	0
Bit 11	R/W	Reserved	1
Bit 10	R/W	Reserved	0
Bit 9	R/W	Reserved	1
Bit 8	R/W	Reserved	0
Bit 7	R/W	Reserved	0
Bit 6	R/W	Reserved	0
Bit 5	R/W	Reserved	0
Bit 4	R/W	Reserved	1
Bit 3	R/W	Reserved	1
Bit 2	R/W	Reserved	1
Bit 1	R/W	Reserved	1
Bit 0	R/W	CSUR_ARSTB	1

The Receive MABC Control Register is provided at SPECTRA 1x2488 read/write address 0031H.

CSUR_ARSTB

CSUR_ARSTB provides a reset to the entire CSUR (Master and Slave PLL). When asserted (logic 0), it resets the entire CSUR. CSUR_ARSTB has to be asserted for at least 53 μ s when REF77_P/N is operating at 155.52 MHz or at least 106 μ s when REF77_P/N is operating at 77.76 MHz to reset the CSUR. When deasserted (logic 1), the CSUR is set to normal operation.

Reserved

The reserved bits must be programmed to their default values for proper operation.

Register 0033H: Quad 622 Rx MABC Interrupt Enable Register (Quad 622 Mode Only)

Bit	Type	Function	Default
Bit 15	—	Unused	X
Bit 14	—	Unused	X
Bit 13	—	Unused	X
Bit 12	—	Unused	X
Bit 11	—	Unused	X
Bit 10	R	Reserved	X
Bit 9	R	CSUR_SRAV	X
Bit 8	R	Reserved	X
Bit 7	—	Unused	X
Bit 6	—	Unused	X
Bit 5	—	Unused	X
Bit 4	R/W	CSUR_MRA_DIS	0
Bit 3	R/W	CSUR_SRA_DIS	0
Bit 2	R/W	CSUR_MRAE	0
Bit 1	R/W	CSUR_SRAE	0
Bit 0	R/W	CSUR_LDE	0

The Receive MABC Interrupt Enable Register is provided at SPECTRA 1x2488 read/write address 0033H.

CSUR_LDE

CSUR_LDE is used as interrupt enable for CSUR_LDI register bit. It connects the CSUR_LDI status bit to the INT pin of the LAS4x622. When CSUR_LDE is set to logic 1, an interrupt on the INT is generated upon assertion of the CSUR_LDI register bit. When CSUR_LDE is set low, a change in the CSUR_LDI status does not generate an interrupt.

CSUR_SRAE

CSUR_SRAE is used as interrupt enable for CSUR_SRAI register bit. It connects the CSUR_SRAI status bit to the INT pin of the LAS4x622. When CSUR_SRAE is set to logic 1, an interrupt on the INT is generated upon assertion of the CSUR_SRAI register bit. When CSUR_SRAE is set low, a change in the CSUR_SRAI status does not generate an interrupt.

CSUR_MRAE

CSUR_MRAE is used as interrupt enable for CSUR_MRAI register bit. It connects the CSUR_MRAI status bit to the INT pin of the LAS4x622. When CSUR_MRAE is set to logic 1, an interrupt on the INT is generated upon assertion of the CSUR_MRAI register bit. When CSUR_MRAE is set low, a change in the CSUR_MRAI status does not generate an interrupt.

CSUR_SRA_DIS

CSUR_SRA_DIS is used to disable the runaway circuitry in LAS4x622 for the SLAVE PLL in the CSUR. When asserted (logic 1), the runaway circuitry in LAS4x622 for the SLAVE PLL is disabled. When deasserted (logic 0), the runaway circuitry in LAS4x622 for the SLAVE PLL is enabled.

CSUR_MRA_DIS

CSUR_MRA_DIS is used to disable the runaway circuitry in LAS4x622 for the MASTER PLL in the CSUR. When asserted (logic 1), the runaway circuitry in LAS4x622 for the MASTER PLL is disabled. When deasserted (logic 0), the runaway circuitry in LAS4x622 for the MASTER PLL is enabled.

Reserved

The reserved bit must be programmed to its default value for proper operation

CSUR_SRAV

This status register bit indicates a runaway condition for the CSUR Slave PLL. A runaway condition is defined as when the CSUR Slave PLL control voltage > 1.6V. When CSUR_SRAV goes high, the CSUR Slave PLL should be reset with CSURS_ARSTB.

CSUR_SRAV	Definition
0	CSUR Slave PLL is in a normal operating condition
1	CSUR Slave PLL is in a runaway condition

Register 0034H: Quad 622 Rx MABC Interrupt Status Register (Quad 622 Mode Only)

Bit	Type	Function	Default
Bit 15	—	Unused	X
Bit 14	—	Unused	X
Bit 13	—	Unused	X
Bit 12	—	Unused	X
Bit 11	—	Unused	X
Bit 10	—	Unused	X
Bit 9	—	Unused	X
Bit 8	—	Unused	X
Bit 7	—	Unused	X
Bit 6	—	Unused	X
Bit 5	—	Unused	X
Bit 4	R/W	REFCLK_DET	0
Bit 3	R/W	Reserved	0
Bit 2	R/W	CSUR_MRAI	0
Bit 1	R/W	CSUR_SRAI	0
Bit 0	R/W	CSUR_LDI	0

The Receive MABC Interrupt Status Register is provided at SPECTRA 1X2488 read/write address 0034H.

CSUR_LDI

This interrupt status register bit indicates the lock status of the CSUR Slave PLL to the reference clock. When any transition occurs of the status of CSUR slave PLL being locked to the reference clock to the status of CSUR slave PLL being out of lock, it will be set to logic 1. If WCI_MODE is set to logic 1, only over-writing it with a '1' clears this bit. If WCI_MODE is set to logic 0, then a read of this register automatically clears the bit. The transition from logic 0 to logic 1 of this bit can generate an interrupt if the CSUR_LDIE is asserted (logic 1).

CSUR_SRAI

This interrupt register bit indicates a runaway condition for the CSUR slave PLL. Any transition from a normal operation to a runaway condition of the CSUR slave PLL will set this bit to logic 1. If WCI_MODE is set to logic 1, only over-writing it with a '1' clears this bit. If WCI_MODE is set to logic 0, then a read of this register automatically clears the bit. The transition from logic 0 to logic 1 of this bit can generate an interrupt if the CSUR_SRAIE is asserted (logic 1).

CSUR_MRAI

This interrupt register bit indicates a runaway condition for the CSUR master PLL. Any transition from a normal operation to a runaway condition of the CSUR master PLL will set this bit to logic 1. If the WCI_MODE is set to logic 1, only over-writing it with a '1' clears this bit. If WCI_MODE is set to logic 0, then a read of this register automatically clears the bit. The transition from logic 0 to logic 1 of this bit can generate an interrupt if the CSUR_MRAIE is asserted (logic 1).

Reserved

The reserved bit must be programmed to its default value for proper operation.

REFCLK_DET

This register bit is used for a sanity detection of the reference clock REFCLK. REFCLK is set to logic 1 if any rising edge of the reference clock is detected since this bit has been cleared last. If WCI_MODE is set to logic 1, only over-writing it with a '1' clears this bit. If WCI_MODE is set to logic 0, then a read of this register automatically clears the bit.

**Register 0035H 0435H 0835H 0C35H: Quad 622 Rx MABC Channel Control Register
(Quad 622 Mode Only)**

Bit	Type	Function	Default
Bit 15	R/W	Reserved	0
Bit 14	R/W	Reserved	1
Bit 13	R/W	Reserved	1
Bit 12	R/W	Reserved	1
Bit 11	R/W	Reserved	1
Bit 10	R/W	Reserved	1
Bit 9	R/W	Reserved	1
Bit 8	R/W	Reserved	1
Bit 7	R/W	Reserved	1
Bit 6	R/W	Reserved	1
Bit 5	R/W	Reserved	1
Bit 4	R/W	Reserved	1
Bit 3	R/W	CSUR_LD_DIS	0
Bit 2	R/W	SDLE622	0
Bit 1	R/W	CDRU_RSTB	1
Bit 0	R/W	CHAN_ENB	0

The Receive MABC Channel 1 to 4 Control register is provided at SPECTRA 1x2488 read/write address 0035H 0435H 0835H and 0C35H.

CHAN_ENB

The channel enable control register bit CHAN_ENB enables the corresponding channel in the 4x622 MABC to normal operation mode when asserted (logic 0). When deasserted (logic 1), the channel is disabled and placed into low-power mode.

CDRU_RSTB

The CDRU reset register bit CDRU_RSTB applies a reset to the CDRU of respective channel in the 4x622 MABC when asserted (logic 0). The reset should be applied for at least 100 μ s. A reset signal should be applied after any mode/control pin changes to ensure proper start-up states. When deasserted (logic 1), the corresponding channel is out of reset.

SDLE622

When set to logic 1, the Serial Diagnostic Loop Back Enable (SDLE622) bit, loops the data from the transmit side JAT622 to the receive side Rx. In the loop back mode, the Rx locks to the loop back data.

CSUR_LD_DIS

CSUR_LD_DIS controls CRU state machine. When CSUR_LD_DIS is logic 0, the data out of the lock state can change to 'looked to' data status if CSUR_LD is logic 1 and the recovered clock is in a certain ppm of the reference clock. When CSUR_LD_DIS is logic 1, the condition for CSUR_LD, logic 1, is bypassed.

Reserved

The reserved bits must be programmed to their default values for proper operation.

**Register 0036H 0436H 0836H 0C36H: Quad 622 Rx Channel Data Path Control Register
(Quad 622 Mode Only)**

Bit	Type	Function	Default
Bit 15	R/W	LOS_COUNT[5]	0
Bit 14	R/W	LOS_COUNT[4]	1
Bit 13	R/W	LOS_COUNT[3]	0
Bit 12	R/W	LOS_COUNT[2]	0
Bit 11	R/W	LOS_COUNT[1]	0
Bit 10	R/W	LOS_COUNT[0]	0
Bit 9	—	Unused	X
Bit 8	R/W	Reserved	0
Bit 7	R/W	INV_SDI_EN	0
Bit 6	R/W	SDI_MASK	0
Bit 5	R/W	LOS_EN	1
Bit 4	R/W	RX_INV_DATA_ENB	1
Bit 3	R/W	Reserved	0
Bit 2	R/W	Reserved	0
Bit 1	R/W	LOSE	0
Bit 0	R/W	DOOLE	0

The Receive Channel 0 to 3 Data Path Control register is provided at SP1x2488 read/write address 0036H 0436H 0836H and 0C36H.

DOOLE

DOOLE is used as interrupt enable for DOOLI register bit. It connects the DOOLI status bit to the INT pin of the LAS4x622. When DOOLE is set to logic 1, an interrupt on the INT is generated upon assertion of the DOOLI register bit. When DOOLE is set low, a change in the DOOLI status does not generate an interrupt.

Note: The DOOL detection accuracy is affected by jitter on the recovered clock. As a result, the clock skew needed to declare DOOL could exceed +/- 999ppm.

LOSE

LOSE is used as interrupt enable for LOSI register bit. It connects the LOSI status bit to the INT pin of the LAS4x622. When LOSE is set to logic 1, an interrupt on the INT is generated upon assertion of the LOSI register bit. When LOSE is set low, a change in the LOSI status does not generate an interrupt.

Reserved

The reserved bits must be programmed to their default values for proper operation.

RX_INV_DATA_ENB

The Rx Serial Data Inversion Enable (RX_INV_DATA_ENB) controls the polarity of the received data. When RX_INV_DATA_ENB is set to logic 0 the polarity of the Rx data is invert. When RX_INV_DATA_ENB is set to logic 1 the Rx data operates normally.

LOS_EN

The Loss of Signal enable bit (LOS_EN) controls the signal detection logic. The LAS4x622 uses the LOS detector along with the clock difference detector to determine if the CDRU is locked to data. When LOS_EN is set to logic 1, the incoming signal is monitored for 1/0 transitions as determined by the LOS_COUNT[5:0] register bits. If LOS_EN is reset to logic 0, the 1/0 transition detector is disabled.

SDI_MASK

The Signal Detect Mask bit controls the state of the SD signal. When SDI_MASK is set to a logic 1, the SD output will be forced to the active high state and all down stream blocks will operate normally. When SDI_MASK is set to logic 0, the SD output from LAS4x622 follows the state of the SD input pin and the state of INV_SDI_EN bit.

Note: When the SDI_MASK bits are enabled, LOS is not detected in the RRMP block in the absence of an optical input signal. Enabling the SDI_MASK bits masks the SD inputs and forces the SPECTRA 1x2488 to declare LOS based on an all '0' or all '1' input pattern. However, noise on the AC coupled RXD[1-4] inputs can cause transitions to be seen preventing detection of an all '0' or all '1' pattern. To avoid this, disable the SDI_MASK bits and connect the SD input pin to the optical module. This will allow LOS to be detected in the RRMP block when the optical input signal is lost.

INV_SDI_EN

The Signal Detect Inversion (INV_SDI_EN) controls the polarity of the SD input pin. When INV_SDI_EN is set to logic 1, the polarity of the SD input pin is inverted. When INV_SDI_EN is set to logic 0, the polarity of the SD input remains unchanged.

LOS_COUNT[5:0]

The Loss of Signal 1/0 transition detector counts field sets the value for the number of consecutive all-zeros or all-ones patterns that will set the loss of signal register bit LOSI to logic 1. Each bit in the binary count represents eight ones or zeros in the pattern. To set the consecutive all-ones or all-zeros patterns to 128, the LOS_COUNT[5:0] should be set to 010000b. The default value for this field is 128.

**Register 0038H 0438H 0838H 0C38H: Quad 622 Rx Channel Data Interrupt Status Register
(Quad 622 Mode Only)**

Bit	Type	Function	Default
Bit 15	—	Unused	X
Bit 14	—	Unused	X
Bit 13	—	Unused	X
Bit 12	—	Unused	X
Bit 11	—	Unused	X
Bit 10	—	Unused	X
Bit 9	—	Unused	X
Bit 8	—	Unused	X
Bit 7	—	Unused	X
Bit 6	—	Unused	X
Bit 5	—	Unused	X
Bit 4	R	Reserved	0
Bit 3	R	Reserved	0
Bit 2	R	Reserved	0
Bit 1	R	LOSI	0
Bit 0	R	DOOLI	0

The Receive Channel 0 to 3 Data Path Interrupt Status Register is provided at SPECTRA 1X2488 read/write address 0038H, 0438H, 0838H and 0C38H.

DOOLI

The Data Out of Lock (DOOLI) status indicates the recovered data out of lock, which is defined as when the difference between the reference clock and the recovered clock RDICLK is beyond a certain ppm programmed in the register $5+16*n$, where n is the channel number. If WCI_MODE is set to logic 1, only over-writing with a '1' clears this bit. If WCI_MODE is set to logic 0 then a read of this register automatically clears the bit. The transition from logic 0 to logic 1 of this bit can generate an interrupt if the DOOLI_EN is asserted.

Note: The DOOL detection accuracy is affected by jitter on the recovered clock. As a result, the clock skew needed to declare DOOL could exceed +/- 999ppm.

LOSI

The Loss of Signal (LOSI) status indicates the receive signal is lost or at least LOS_COUNT[5:0] consecutive ones or zeros have been received. LOSI is a logic 0 if the SDI input is high or less than LOS_COUNT[5:0] consecutive ones or zeros have been received. LOSI is a logic 1 if the SDI input is low or LOS_COUNT[5:0] consecutive ones or zeros have been received. If WCI_MODE is set to logic 1, only over-writing with a '1' clears this bit. If WCI_MODE is set to logic 0 then a read of this register automatically clears the bit. The transition from logic 0 to logic 1 of this bit can generate an interrupt if the LOSE is asserted.

Reserved

The reserved bits must be programmed to their default values for proper operation.

Register 0039H, 0439H, 0839H, and 0C39H: Quad 622 Rx Channel Data Path Status Register (Quad 622 Mode Only)

Bit	Type	Function	Default
Bit 15	R	Reserved	0
Bit 14	R	Reserved	0
Bit 13	R	Reserved	0
Bit 12	R	Reserved	0
Bit 11	R	Reserved	0
Bit 10	R	Reserved	0
Bit 9	R	Reserved	0
Bit 8	R	Reserved	0
Bit 7	R	Reserved	0
Bit 6	—	Unused	X
Bit 5	—	Unused	X
Bit 4	—	Unused	X
Bit 3	R	Reserved	0
Bit 2	R	Reserved	0
Bit 1	R	LOSV	0
Bit 0	R	DOOLV	0

The Receive Channel 0 to 3 Data Path Status Register is provided at SPECTRA 1X2488 read/write address 0039H, 0439H, 0839H and 0C39H.

DOOLV

The status register bit DOOLV indicates the recovered Data Out of Lock, which is defined as when the difference between the reference clock and the recovered clock RDICLK is beyond a certain ppm programmed in the register $5+16*n$, where n is the channel number.

DOOLV	Definition
0	Normal operation
1	Recovered Data Out of Lock

Note: The DOOL detection accuracy is affected by jitter on the recovered clock. As a result, the clock skew needed to declare DOOL could exceed +/- 999ppm.

LOSV

The status register bit LOSV indicates the receive signal is lost or at least LOS_COUNT[5:0] consecutive ones or zeros have been received. LOSV is a logic '0' if the SDI input is high or less than LOS_COUNT[5:0] consecutive ones or zeros have been received. LOSV is a logic '1' if the SDI input is low or LOS_COUNT[5:0] consecutive ones or zeros have been received.

Reserved

The reserved bits must be programmed to their default values for proper operation.

Downloaded by Content Team of Partminer Inc on Thursday, 27 April, 2006 09:55:04 PM

Register 0040H: SRLI Clock Configuration

Bit	Type	Function	Default
Bit 15	R/W	Reserved	1
Bit 14	—	Unused	X
Bit 13	—	Unused	X
Bit 12	—	Unused	X
Bit 11	—	Unused	X
Bit 10	—	Unused	X
Bit 9	R/W	DISFRM4	0
Bit 8	R/W	DISFRM3	0
Bit 7	R/W	DISFRM2	0
Bit 6	R/W	DISFRM1	0
Bit 5	R/W	DISFRM	0
Bit 4	R/W	RCLK4EN	0
Bit 3	R/W	RCLK3EN	0
Bit 2	R/W	RCLK2EN	0
Bit 1	R/W	RCLK1EN	0
Bit 0	—	Unused	X

The Clock Configuration Register is provided at SRLI read/write address 0040H.

RCLK1EN

The receive clock enable (RCLK1EN) bit controls the gating of the RCLK1 output clock. When RCLK1EN is set to logic 1, the RCLK1 output clock operates normally. When RCLK1EN is set to logic 0, the RCLK1 output clock is held low.

RCLK2EN

The receive clock enable (RCLK2EN) bit controls the gating of the RCLK2 output clock. When RCLK2EN is set to logic 1, the RCLK2 output clock operates normally. When RCLK2EN is set to logic 0, the RCLK2 output clock is held low.

RCLK3EN

The receive clock enable (RCLK3EN) bit controls the gating of the RCLK3 output clock. When RCLK3EN is set to logic 1, the RCLK3 output clock operates normally. When RCLK3EN is set to logic 0, the RCLK3 output clock is held low.

RCLK4EN

The receive clock enable (RCLK4EN) bit controls the gating of the RCLK4 output clock. When RCLK4EN is set to logic 1, the RCLK4 output clock operates normally. When RCLK4EN is set to logic 0, the RCLK4 output clock is held low.

DISFRM

The disable framing (DISFRM) bit disables the framing algorithm and resets the bit alignment on the RD[15:0] input bus to none. When DISFRM is set to logic 1, the framing algorithm is disabled and the bit alignment is reset to none. When DISFRM is set to logic 0, the framing algorithm is enabled and the bit alignment is done when out of frame is declared.

DISFRM1

The disable framing (DISFRM1) bit disables the framing algorithm and resets the bit alignment on the RD1[7:0] input bus to none. When DISFRM1 is set to logic 1, the framing algorithm is disabled and the bit alignment is reset to none. When DISFRM1 is set to logic 0, the framing algorithm is enabled and the bit alignment is done when out of frame is declared.

DISFRM2

The disable framing (DISFRM2) bit disables the framing algorithm and resets the bit alignment on the RD2[7:0] input bus to none. When DISFRM2 is set to logic 1, the framing algorithm is disabled and the bit alignment is reset to none. When DISFRM2 is set to logic 0, the framing algorithm is enabled and the bit alignment is done when out of frame is declared.

DISFRM3

The disable framing (DISFRM3) bit disables the framing algorithm and resets the bit alignment on the RD3[7:0] input bus to none. When DISFRM3 is set to logic 1, the framing algorithm is disabled and the bit alignment is reset to none. When DISFRM3 is set to logic 0, the framing algorithm is enabled and the bit alignment is done when out of frame is declared.

DISFRM4

The disable framing (DISFRM4) bit disables the framing algorithm and resets the bit alignment on the RD4[7:0] input bus to none. When DISFRM4 is set to logic 1, the framing algorithm is disabled and the bit alignment is reset to none. When DISFRM4 is set to logic 0, the framing algorithm is enabled and the bit alignment is done when out of frame is declared.

Register 0060H, 0460H, 0860H, and 0C60H: SBER Configuration

Bit	Type	Function	Default
Bit 15	—	Unused	X
Bit 14	—	Unused	X
Bit 13	—	Unused	X
Bit 12	—	Unused	X
Bit 11	—	Unused	X
Bit 10	—	Unused	X
Bit 9	—	Unused	X
Bit 8	—	Unused	X
Bit 7	—	Unused	X
Bit 6	—	Unused	X
Bit 5	R/W	SFBERTEN	0
Bit 4	R/W	SFSMODE	0
Bit 3	R/W	SFCMODE	0
Bit 2	R/W	SDBERTEN	0
Bit 1	R/W	SDSMODE	0
Bit 0	R/W	SDCMODE	0

The Configuration Register is provided at SBER read/write address 0060H, 0460H, 0860H, and 0C60H.

SDCMODE

The SDCMODE alarm bit selects the Signal Degrade BERM window size to use for clearing alarms. When SDCMODE is logic 0, the SD BERM will clear an alarm using the same window size used for declaration. When SDCMODE is logic 1, the SD BERM will clear an alarm using a window size that is 8 times longer than alarm declaration window size. The declaration window size is defined by the SD BERM Accumulation Period register. SFCMODE at logic 1 should be used with extreme caution when using Evaluation Periods equal or near a Bellcore or ITU requirement. Working with 8 times the declaration window size would then cause to fail on the requirements, where clearing time requirements are equal to declare time requirements.

SDSMODE

The SDSMODE bit selects the Signal Degrade BERM saturation mode. When SDSMODE is logic 0, the SD BERM will saturate the BIP count on a per frame basis using the SD Saturation Threshold register value. When SDSMODE is a logic 1 the SD BERM will saturate the BIP count on a per window subtotal accumulation period basis using the SD Saturation Threshold register value.

SDBERTEN

The SDBERTEN bit enables automatic monitoring of line bit error rate threshold events by the Signal Degrade BERM. When SDBERTEN is logic 1, the SD BERM continuously monitors line BIP errors over a period defined in the BERM configuration registers. When SDBERTEN is logic 0, the SD BERM BIP accumulation logic is disabled, and the BERM logic is reset to restart in the declaration monitoring state.

All SD BERM configuration registers should be set up before the monitoring is enabled.

SFCMODE

The SFCMODE alarm bit selects the Signal Failure BERM window size to use for clearing alarms. When SFCMODE is logic 0, the SF BERM will clear an alarm using the same window size used for declaration. When SFCMODE is logic 1, the SF BERM will clear an alarm using a window size that is 8 times longer than alarm declaration window size. The declaration window size is defined by the SF BERM Accumulation Period register. SFCMODE at logic 1 should be used with extreme caution when using Evaluation Periods equal or near a Bellcore or ITU requirement. Working with 8 times the declaration window size would then cause to fail on the requirements, where clearing time requirements are equal to declare time requirements.

SFSMODE

The SFSMODE bit selects the Signal Failure BERM saturation mode. When SFSMODE is logic 0, the SF BERM will saturate the BIP count on a per frame basis using the SF Saturation Threshold register value. When SFSMODE is a logic 1 the SF BERM will saturate the BIP count on a per window subtotal accumulation period basis using the SF Saturation Threshold register value.

SFBERTEN

The SFBERTEN bit enables automatic monitoring of line bit error rate threshold events by the Signal Failure BERM. When SFBERTEN is logic 1, the SF BERM continuously monitors line BIP errors over a period defined in the BERM configuration registers. When SFBERTEN is logic 0, the SF BERM BIP accumulation logic is disabled, and the BERM logic is reset to restart in the declaration monitoring state.

All SF BERM configuration registers should be set up before the monitoring is enabled.

Register 0061H, 0461H, 0861H, and 0C61H: SBER Status

Bit	Type	Function	Default
Bit 15	—	Unused	X
Bit 14	—	Unused	X
Bit 13	—	Unused	X
Bit 12	—	Unused	X
Bit 11	—	Unused	X
Bit 10	—	Unused	X
Bit 9	—	Unused	X
Bit 8	—	Unused	X
Bit 7	—	Unused	X
Bit 6	—	Unused	X
Bit 5	—	Unused	X
Bit 4	—	Unused	X
Bit 3	—	Unused	X
Bit 2	—	Unused	X
Bit 1	R	SFBERV	X
Bit 0	R	SDBERV	X

The Status Register is provided at SBER read/write address 0061H, 0461H, 0861H, and 0C61H.

SDBERV

The SDBERV bit indicates the Signal Degradate BERM alarm state. The alarm is declared (SDBERV is a logic 1) when the declaring threshold has been exceeded. The alarm is removed (SDBERV is a logic 0) when the clearing threshold has been reached.

SFBERV

The SFBERV bit indicates the Signal Failure BERM alarm state. The alarm is declared (SFBERV is a logic 1) when the declaring threshold has been exceeded. The alarm is removed (SFBERV is a logic 0) when the clearing threshold has been reached.

Register 0062H, 0462H, 0862H, and 0C62H: SBER Interrupt Enable

Bit	Type	Function	Default
Bit 15	—	Unused	X
Bit 14	—	Unused	X
Bit 13	—	Unused	X
Bit 12	—	Unused	X
Bit 11	—	Unused	X
Bit 10	—	Unused	X
Bit 9	—	Unused	X
Bit 8	—	Unused	X
Bit 7	—	Unused	X
Bit 6	—	Unused	X
Bit 5	—	Unused	X
Bit 4	—	Unused	X
Bit 3	—	Unused	X
Bit 2	—	Unused	X
Bit 1	R/W	SFBERE	0
Bit 0	R/W	SDBERE	0

The Interrupt Enable Register is provided at SBER read/write address 0062H, 0462H, 0862H, and 0C62H.

SDBERE

The SDBERE bit is the interrupt enable for the SDBER alarm. When SDBERE is set to logic 1, the pending interrupt in the Interrupt Status Register, SDBERI, will assert the interrupt output. When SDBERE is set to logic 0, the pending interrupt will not assert the interrupt output.

SFBERE

The SFBERE bit is the interrupt enable for the SFBER alarm. When SFBERE is set to logic 1, the pending interrupt in the Interrupt Status Register, SFBERI, will assert the interrupt output. When SFBERE is set to logic 0, the pending interrupt will not assert the interrupt output.

Register 0063H, 0463H, 0863H, and 0C63H: SBER Interrupt Status

Bit	Type	Function	Default
Bit 15	—	Unused	X
Bit 14	—	Unused	X
Bit 13	—	Unused	X
Bit 12	—	Unused	X
Bit 11	—	Unused	X
Bit 10	—	Unused	X
Bit 9	—	Unused	X
Bit 8	—	Unused	X
Bit 7	—	Unused	X
Bit 6	—	Unused	X
Bit 5	—	Unused	X
Bit 4	—	Unused	X
Bit 3	—	Unused	X
Bit 2	—	Unused	X
Bit 1	R	SFBERI	X
Bit 0	R	SDBERI	X

The Interrupt Status Register is provided at SBER read/write address 0063H, 0463H, 0863H, and 0C63H.

SDBERI

The SDBERI bit is an event indicator set to logic 1 to indicate any changes in the status of SDBERV. This interrupt status bit is independent of the SDBERE interrupt enable bit. When WCIMODE is low (read mode), SDBERI is cleared by reading the interrupt status register. When WCIMODE is high (write mode), SDBERI is cleared by writing a high value to bit 1 of the interrupt status register.

SFBERI

The SFBERI bit is an event indicator set to logic 1 to indicate any changes in the status of SFBERV. This interrupt status bit is independent of the SFBERE interrupt enable bit. When WCIMODE is low (read mode), SFBERI is cleared by reading the interrupt status register. When WCIMODE is high (write mode), SFBERI is cleared by writing a high value to bit 0 of the interrupt status register.

Register 0064H, 0464H, 0864H, and 0C64H: SBER SF BERM Accumulation Period (LSB)

Bit	Type	Function	Default
Bit 15	R/W	SFSAP[15]	0
Bit 14	R/W	SFSAP[14]	0
Bit 13	R/W	SFSAP[13]	0
Bit 12	R/W	SFSAP[12]	0
Bit 11	R/W	SFSAP[11]	0
Bit 10	R/W	SFSAP[10]	0
Bit 9	R/W	SFSAP[9]	0
Bit 8	R/W	SFSAP[8]	0
Bit 7	R/W	SFSAP[7]	0
Bit 6	R/W	SFSAP[6]	0
Bit 5	R/W	SFSAP[5]	0
Bit 4	R/W	SFSAP[4]	0
Bit 3	R/W	SFSAP[3]	0
Bit 2	R/W	SFSAP[2]	0
Bit 1	R/W	SFSAP[1]	0
Bit 0	R/W	SFSAP[0]	0

This register is provided at SBER read/write address 0064H, 0464H, 0864H, and 0C64H.

Register 0065H, 0465H, 0865H, and 0C65H: SBER SF BERM Accumulation Period (MSB)

Bit	Type	Function	Default
Bit 15	R/W	SFSAP[31]	0
Bit 14	R/W	SFSAP[30]	0
Bit 13	R/W	SFSAP[29]	0
Bit 12	R/W	SFSAP[28]	0
Bit 11	R/W	SFSAP[27]	0
Bit 10	R/W	SFSAP[26]	0
Bit 9	R/W	SFSAP[25]	0
Bit 8	R/W	SFSAP[24]	0
Bit 7	R/W	SFSAP[23]	0
Bit 6	R/W	SFSAP[22]	0
Bit 5	R/W	SFSAP[21]	0
Bit 4	R/W	SFSAP[20]	0
Bit 3	R/W	SFSAP[19]	0
Bit 2	R/W	SFSAP[18]	0
Bit 1	R/W	SFSAP[17]	0
Bit 0	R/W	SFSAP[16]	0

This register is provided at SBER read/write address 0065H, 0465H, 0865H, and 0C65H.

SFSAP[31:0]

The SFSAP[31:0] bits represent the number of STS-N frames to be used to accumulate a BIP error subtotal. The total evaluation window to declare an alarm is broken into 8 subtotals, so this register value represents 1/8 of the total sliding window size. Refer to the Operations section for the recommended settings.

Register 0066H, 0466H, 0866H, and 0C66H: SBER SF BERM Saturation Threshold (LSB)

Bit	Type	Function	Default
Bit 15	R/W	SFSATH[15]	1
Bit 14	R/W	SFSATH[14]	1
Bit 13	R/W	SFSATH[13]	1
Bit 12	R/W	SFSATH[12]	1
Bit 11	R/W	SFSATH[11]	1
Bit 10	R/W	SFSATH[10]	1
Bit 9	R/W	SFSATH[9]	1
Bit 8	R/W	SFSATH[8]	1
Bit 7	R/W	SFSATH[7]	1
Bit 6	R/W	SFSATH[6]	1
Bit 5	R/W	SFSATH[5]	1
Bit 4	R/W	SFSATH[4]	1
Bit 3	R/W	SFSATH[3]	1
Bit 2	R/W	SFSATH[2]	1
Bit 1	R/W	SFSATH[1]	1
Bit 0	R/W	SFSATH[0]	1

This register is provided at SBER read/write address 0066H, 0466H, 0866H, and 0C66H.

Register 0067H, 0467H, 0867H, and 0C67H: SBER SF BERM Saturation Threshold (MSB)

Bit	Type	Function	Default
Bit 15	—	Unused	X
Bit 14	—	Unused	X
Bit 13	—	Unused	X
Bit 12	—	Unused	X
Bit 11	—	Unused	X
Bit 10	—	Unused	X
Bit 9	—	Unused	X
Bit 8	—	Unused	X
Bit 7	R/W	SFSATH[23]	1
Bit 6	R/W	SFSATH[22]	1
Bit 5	R/W	SFSATH[21]	1
Bit 4	R/W	SFSATH[20]	1
Bit 3	R/W	SFSATH[19]	1
Bit 2	R/W	SFSATH[18]	1
Bit 1	R/W	SFSATH[17]	1
Bit 0	R/W	SFSATH[16]	1

This register is provided at SBER read/write address 0067H, 0467H, 0867H, and 0C67H.

SFSATH[23:0]

The SFSATH[23:0] bits represent the allowable number of BIP errors that can be accumulated either during a frame period or during a complete sub accumulation period (depending on SFSMODE) before the error count is saturated to this threshold value. Setting this threshold to 0xFFFFFFFF disables the saturation functionality.

Register 0068H, 0468H, 0868H, and 0C68H: SBER SF BERM Declaration Threshold (LSB)

Bit	Type	Function	Default
Bit 15	R/W	SFDECTH[15]	0
Bit 14	R/W	SFDECTH[14]	0
Bit 13	R/W	SFDECTH[13]	0
Bit 12	R/W	SFDECTH[12]	0
Bit 11	R/W	SFDECTH[11]	0
Bit 10	R/W	SFDECTH[10]	0
Bit 9	R/W	SFDECTH[9]	0
Bit 8	R/W	SFDECTH[8]	0
Bit 7	R/W	SFDECTH[7]	0
Bit 6	R/W	SFDECTH[6]	0
Bit 5	R/W	SFDECTH[5]	0
Bit 4	R/W	SFDECTH[4]	0
Bit 3	R/W	SFDECTH[3]	0
Bit 2	R/W	SFDECTH[2]	0
Bit 1	R/W	SFDECTH[1]	0
Bit 0	R/W	SFDECTH[0]	0

This register is provided at SBER read/write address 0068H, 0468H, 0868H, and 0C68H.

Register 0069H, 0469H, 0869H, and 0C69H: SBER SF BERM Declaration Threshold (MSB)

Bit	Type	Function	Default
Bit 15	—	Unused	X
Bit 14	—	Unused	X
Bit 13	—	Unused	X
Bit 12	—	Unused	X
Bit 11	—	Unused	X
Bit 10	—	Unused	X
Bit 9	—	Unused	X
Bit 8	—	Unused	X
Bit 7	R/W	SFDECTH[23]	0
Bit 6	R/W	SFDECTH[22]	0
Bit 5	R/W	SFDECTH[21]	0
Bit 4	R/W	SFDECTH[20]	0
Bit 3	R/W	SFDECTH[19]	0
Bit 2	R/W	SFDECTH[18]	0
Bit 1	R/W	SFDECTH[17]	0
Bit 0	R/W	SFDECTH[16]	0

This register is provided at SBER read/write address 0069H, 0469H, 0869H, and 0C69H.

SFDECTH[23:0]

The SFDECTH[23:0] register represent the number of BIP errors that must be accumulated during a full evaluation window in order to declare a BER alarm. Refer to the Operations section for the recommended settings.

Register 006AH, 046AH, 086AH, and 0C6AH: SBER SF BERM Clearing Threshold (LSB)

Bit	Type	Function	Default
Bit 15	R/W	SFCLRTH[15]	0
Bit 14	R/W	SFCLRTH[14]	0
Bit 13	R/W	SFCLRTH[13]	0
Bit 12	R/W	SFCLRTH[12]	0
Bit 11	R/W	SFCLRTH[11]	0
Bit 10	R/W	SFCLRTH[10]	0
Bit 9	R/W	SFCLRTH[9]	0
Bit 8	R/W	SFCLRTH[8]	0
Bit 7	R/W	SFCLRTH[7]	0
Bit 6	R/W	SFCLRTH[6]	0
Bit 5	R/W	SFCLRTH[5]	0
Bit 4	R/W	SFCLRTH[4]	0
Bit 3	R/W	SFCLRTH[3]	0
Bit 2	R/W	SFCLRTH[2]	0
Bit 1	R/W	SFCLRTH[1]	0
Bit 0	R/W	SFCLRTH[0]	0

This register is provided at SBER read/write address 006AH, 046AH, 086AH, and 0C6AH.

Register 006BH, 046BH, 086BH, and 0C6BH: SBER SF BERM Clearing Threshold (MSB)

Bit	Type	Function	Default
Bit 15	—	Unused	X
Bit 14	—	Unused	X
Bit 13	—	Unused	X
Bit 12	—	Unused	X
Bit 11	—	Unused	X
Bit 10	—	Unused	X
Bit 9	—	Unused	X
Bit 8	—	Unused	X
Bit 7	R/W	SFCLRTH[23]	0
Bit 6	R/W	SFCLRTH[22]	0
Bit 5	R/W	SFCLRTH[21]	0
Bit 4	R/W	SFCLRTH[20]	0
Bit 3	R/W	SFCLRTH[19]	0
Bit 2	R/W	SFCLRTH[18]	0
Bit 1	R/W	SFCLRTH[17]	0
Bit 0	R/W	SFCLRTH[16]	0

This register is provided at SBER read/write address 006BH, 046BH, 086BH, and 0C6BH.

SFCLRTH[23:0]

The SFCLRTH[23:0] register represent the number of BIP errors that can be accumulated but not exceeded during a full evaluation window in order to clear a BER alarm. Refer to the Operations section for the recommended settings.

Register 006CH, 046CH, 086CH, and 0C6CH: SBER SD BERM Accumulation Period (LSB)

Bit	Type	Function	Default
Bit 15	R/W	SDSAP[15]	0
Bit 14	R/W	SDSAP[14]	0
Bit 13	R/W	SDSAP[13]	0
Bit 12	R/W	SDSAP[12]	0
Bit 11	R/W	SDSAP[11]	0
Bit 10	R/W	SDSAP[10]	0
Bit 9	R/W	SDSAP[9]	0
Bit 8	R/W	SDSAP[8]	0
Bit 7	R/W	SDSAP[7]	0
Bit 6	R/W	SDSAP[6]	0
Bit 5	R/W	SDSAP[5]	0
Bit 4	R/W	SDSAP[4]	0
Bit 3	R/W	SDSAP[3]	0
Bit 2	R/W	SDSAP[2]	0
Bit 1	R/W	SDSAP[1]	0
Bit 0	R/W	SDSAP[0]	0

This register is provided at SBER read/write address 006CH, 046CH, 086CH, and 0C6CH.

Register 006DH, 046DH, 086DH, and 0C6DH: SBER SD BERM Accumulation Period (MSB)

Bit	Type	Function	Default
Bit 15	R/W	SDSAP[31]	0
Bit 14	R/W	SDSAP[30]	0
Bit 13	R/W	SDSAP[29]	0
Bit 12	R/W	SDSAP[28]	0
Bit 11	R/W	SDSAP[27]	0
Bit 10	R/W	SDSAP[26]	0
Bit 9	R/W	SDSAP[25]	0
Bit 8	R/W	SDSAP[24]	0
Bit 7	R/W	SDSAP[23]	0
Bit 6	R/W	SDSAP[22]	0
Bit 5	R/W	SDSAP[21]	0
Bit 4	R/W	SDSAP[20]	0
Bit 3	R/W	SDSAP[19]	0
Bit 2	R/W	SDSAP[18]	0
Bit 1	R/W	SDSAP[17]	0
Bit 0	R/W	SDSAP[16]	0

This register is provided at SBER read/write address 006DH, 046DH, 086DH, and 0C6DH.

SDSAP[31:0]

The SDSAP[31:0] bits represent the number of STS-N frames to be used to accumulate a BIP error subtotal. The total evaluation window to declare an alarm is broken into 8 subtotals, so this register value represents 1/8 of the total sliding window size. Refer to the Operations section for the recommended settings.

Register 006EH, 046EH, 086EH, and 0C6EH: SBER SD BERM Saturation Threshold (LSB)

Bit	Type	Function	Default
Bit 15	R/W	SDSATH[15]	1
Bit 14	R/W	SDSATH[14]	1
Bit 13	R/W	SDSATH[13]	1
Bit 12	R/W	SDSATH[12]	1
Bit 11	R/W	SDSATH[11]	1
Bit 10	R/W	SDSATH[10]	1
Bit 9	R/W	SDSATH[9]	1
Bit 8	R/W	SDSATH[8]	1
Bit 7	R/W	SDSATH[7]	1
Bit 6	R/W	SDSATH[6]	1
Bit 5	R/W	SDSATH[5]	1
Bit 4	R/W	SDSATH[4]	1
Bit 3	R/W	SDSATH[3]	1
Bit 2	R/W	SDSATH[2]	1
Bit 1	R/W	SDSATH[1]	1
Bit 0	R/W	SDSATH[0]	1

This register is provided at SBER read/write address 006EH, 046EH, 086EH, and 0C6EH.

Register 006FH, 046FH, 086FH, and 0C6FH: SBER SD BERM Saturation Threshold (MSB)

Bit	Type	Function	Default
Bit 15	—	Unused	X
Bit 14	—	Unused	X
Bit 13	—	Unused	X
Bit 12	—	Unused	X
Bit 11	—	Unused	X
Bit 10	—	Unused	X
Bit 9	—	Unused	X
Bit 8	—	Unused	X
Bit 7	R/W	SDSATH[23]	1
Bit 6	R/W	SDSATH[22]	1
Bit 5	R/W	SDSATH[21]	1
Bit 4	R/W	SDSATH[20]	1
Bit 3	R/W	SDSATH[19]	1
Bit 2	R/W	SDSATH[18]	1
Bit 1	R/W	SDSATH[17]	1
Bit 0	R/W	SDSATH[16]	1

This register is provided at SBER read/write address 006FH, 046FH, 086FH, and 0C6FH.

SDSATH[23:0]

The SDSATH[23:0] bits represent the allowable number of BIP errors that can be accumulated either during a frame period or during a complete sub accumulation period (depending on SDSMODE) before the error count is saturated to this threshold value. Setting this threshold to 0xFFFFFFFF disables the saturation functionality.

Register 0070H, 0470H, 0870H, and 0C70H: SBER SD BERM Declaration Threshold (LSB)

Bit	Type	Function	Default
Bit 15	R/W	SDDECTH[15]	0
Bit 14	R/W	SDDECTH[14]	0
Bit 13	R/W	SDDECTH[13]	0
Bit 12	R/W	SDDECTH[12]	0
Bit 11	R/W	SDDECTH[11]	0
Bit 10	R/W	SDDECTH[10]	0
Bit 9	R/W	SDDECTH[9]	0
Bit 8	R/W	SDDECTH[8]	0
Bit 7	R/W	SDDECTH[7]	0
Bit 6	R/W	SDDECTH[6]	0
Bit 5	R/W	SDDECTH[5]	0
Bit 4	R/W	SDDECTH[4]	0
Bit 3	R/W	SDDECTH[3]	0
Bit 2	R/W	SDDECTH[2]	0
Bit 1	R/W	SDDECTH[1]	0
Bit 0	R/W	SDDECTH[0]	0

This register is provided at SBER read/write address 0070H, 0470H, 0870H, and 0C70H.

Register 0071H, 0471H, 0871H, and 0C71H: SBER SD BERM Declaration Threshold (MSB)

Bit	Type	Function	Default
Bit 15	—	Unused	X
Bit 14	—	Unused	X
Bit 13	—	Unused	X
Bit 12	—	Unused	X
Bit 11	—	Unused	X
Bit 10	—	Unused	X
Bit 9	—	Unused	X
Bit 8	—	Unused	X
Bit 7	R/W	SDDECTH[23]	0
Bit 6	R/W	SDDECTH[22]	0
Bit 5	R/W	SDDECTH[21]	0
Bit 4	R/W	SDDECTH[20]	0
Bit 3	R/W	SDDECTH[19]	0
Bit 2	R/W	SDDECTH[18]	0
Bit 1	R/W	SDDECTH[17]	0
Bit 0	R/W	SDDECTH[16]	0

This register is provided at SBER read/write address 0071H, 0471H, 0871H, and 0C71H.

SDDECTH[23:0]

The SDDECTH[23:0] register represent the number of BIP errors that must be accumulated during a full evaluation window in order to declare a BER alarm. Refer to the Operations section for the recommended settings.

Register 0072H, 0472H, 0872H, and 0C72H: SBER SD BERM Clearing Threshold (LSB)

Bit	Type	Function	Default
Bit 15	R/W	SDCLRTH[15]	0
Bit 14	R/W	SDCLRTH[14]	0
Bit 13	R/W	SDCLRTH[13]	0
Bit 12	R/W	SDCLRTH[12]	0
Bit 11	R/W	SDCLRTH[11]	0
Bit 10	R/W	SDCLRTH[10]	0
Bit 9	R/W	SDCLRTH[9]	0
Bit 8	R/W	SDCLRTH[8]	0
Bit 7	R/W	SDCLRTH[7]	0
Bit 6	R/W	SDCLRTH[6]	0
Bit 5	R/W	SDCLRTH[5]	0
Bit 4	R/W	SDCLRTH[4]	0
Bit 3	R/W	SDCLRTH[3]	0
Bit 2	R/W	SDCLRTH[2]	0
Bit 1	R/W	SDCLRTH[1]	0
Bit 0	R/W	SDCLRTH[0]	0

This register is provided at SBER read/write address 0072H, 0472H, 0872H, and 0C72H.

Register 0073H, 0473H, 0873H, and 0C73H: SBER SD BERM Clearing Threshold (MSB)

Bit	Type	Function	Default
Bit 15	—	Unused	X
Bit 14	—	Unused	X
Bit 13	—	Unused	X
Bit 12	—	Unused	X
Bit 11	—	Unused	X
Bit 10	—	Unused	X
Bit 9	—	Unused	X
Bit 8	—	Unused	X
Bit 7	R/W	SDCLRTH[23]	0
Bit 6	R/W	SDCLRTH[22]	0
Bit 5	R/W	SDCLRTH[21]	0
Bit 4	R/W	SDCLRTH[20]	0
Bit 3	R/W	SDCLRTH[19]	0
Bit 2	R/W	SDCLRTH[18]	0
Bit 1	R/W	SDCLRTH[17]	0
Bit 0	R/W	SDCLRTH[16]	0

This register is provided at SBER read/write address 0073H, 0473H, 0873H, and 0C73H.

SDCLRTH[23:0]

The SDCLRTH[23:0] register represent the number of BIP errors that can be accumulated but not exceeded during a full evaluation window in order to clear a BER alarm. Refer to the Operations section for the recommended settings.

Register 0080H, 0480H, 0880H, and 0C80H: RRMP Configuration

Bit	Type	Function	Default
Bit 15	R	Reserved	X
Bit 14	—	Unused	X
Bit 13	R/W	Reserved	0
Bit 12	R/W	LREIACCBLK	0
Bit 11	R/W	LBIPEIREIBLK	0
Bit 10	R/W	LBIPEBERBLK	0
Bit 9	R/W	LBIPEACCBLK	0
Bit 8	R/W	Reserved	0
Bit 7	R/W	SBIPEACCBLK	0
Bit 6	R/W	RLDTS	1
Bit 5	R/W	RSLDSEL	0
Bit 4	R/W	RSLDTS	1
Bit 3	R/W	LRDI3	0
Bit 2	R/W	LAI3	0
Bit 1	R/W	ALGO2	0
Bit 0	W	FOOF	X

The Configuration Register is provided at RRMP read/write address 0080H, 0480H, 0880H, and 0C80H.

FOOF

The force out of frame (FOOF) bit forces out of frame condition. When a logic 1 is written to FOOF, the framer block is forced out of frame at the next frame boundary regardless of the framing pattern value. The OOF event initiates re-framing in an upstream frame detector. Once out of frame condition has been achieved, this bit should be set to logic 0 to allow re-framing.

ALGO2

The ALGO2 bit selects the framing pattern used to determine and maintain the STS-12/STM-4 frame alignment. When ALGO2 is set to logic 1, the framing pattern consists of the 8 bits of the first A1 framing bytes and the first 4 bits of the last A2 framing bytes (12 bits total). When ALGO2 is set to logic 0, the framing patterns consist of all the A1 framing bytes and all the A2 framing bytes. Refer to Table 1 A1/A2 Bytes Used for Out of Frame Detection and Table 2 A1/A2 Bytes Used for In Frame Detection for more details.

LAIS3

The line alarm indication signal detection (LAIS3) bit selects the Line AIS detection algorithm. When LAIS3 is set to logic 1, Line AIS is declared when a 111 pattern is detected in bits 6,7,8 of the K2 byte for three consecutive frames. When LAIS3 is set to logic 0, Line AIS is declared when a 111 pattern is detected in bits 6,7,8 of the K2 byte for five consecutive frames.

LRDI3

The line remote defect indication detection (LRDI3) bit selects the Line RDI detection algorithm. When LRDI3 is set to logic 1, Line RDI is declared when a 110 pattern is detected in bits 6,7,8 of the K2 byte for three consecutive frames. When LRDI3 is set to logic 0, Line RDI is declared when a 110 pattern is detected in bits 6,7,8 of the K2 byte for five consecutive frames.

RSLDTS

The RSLD tri-state control (RSLDTS) bit controls the RSLDCLK and RSLD output ports. When RSLDTS is set to logic 1, the RSLDCLK and RSLD output ports are tri-state. When RSLDTS is set to logic 0, the RSLDCLK and RSLD output ports are enable.

RSLDSEL

The receive section line data communication channel select (RSLDSEL) bit selects the contents of the RSLD serial output and the frequency of the RSLDCLK clock.

RSLDSEL	Contents	RSLDCLK
0	Section DCC (D1-D3)	Nominal 192 kHz
1	Line DCC (D4-D12)	Nominal 576 kHz

RLDTS

The RLD tri-state control (RLDTS) bit controls the RLDCLK and RLD output ports. When RLDTS is set to logic 1, the RLDCLK and RLD output ports are tri-state. When RLDTS is set to logic 0, the RLDCLK and RLD output ports are enable.

SBIPEACCBLK

The section BIP error accumulation block (SBIPEACCBLK) bit controls the accumulation of section BIP errors. When SBIPEACCBLK is set to logic 1, the section BIP accumulation represents BIP-8 block errors (a maximum of 1 error per frame). When SBIPEACCBLK is set to logic 0, the section BIP accumulation represents BIP-8 errors (a maximum of 8 errors per frame).

Reserved

The reserved bits must be programmed to their default values for proper operation.

LBIPEACCBLK

The line BIP error accumulation block (LBIPEACCBLK) bit controls the accumulation of line BIP errors. When LBIPEACCBLK is set to logic 1, the line BIP accumulation represents BIP-24 block errors (a maximum of 1 error per STS-3/STM-1 per frame). When LBIPEACCBLK is set to logic 0, the line BIP accumulation represents BIP-8 errors (a maximum of 8 errors per STS-1/STM-0 per frame).

LBIPEBERBLK

The line BIP error BER block (LBIPEBERBLK) bit controls the indication of line BIP errors for the BER. When LBIPEBERBLK is set to logic 1, the line BIP represents BIP-24 block errors (a maximum of 1 error per STS-3/STM-1 per frame). When LBIPEBERBLK is set to logic 0, the line BIP represents BIP-8 errors (a maximum of 8 errors per STS-1/STM-0 per frame).

LBIPEREIBLK

The line BIP error REI block (LBIPEREIBLK) bit controls the indication of line BIP errors for the REI. When LBIPEREIBLK is set to logic 1, the line BIP represents BIP-24 block errors (a maximum of 1 error per STS-3/STM-1 per frame saturated to 255). When LBIPEREIBLK is set to logic 0, the line BIP represents BIP-8 errors (a maximum of 8 errors per STS-1/STM-0 per frame saturated to 255).

LREIACCBLK

The line REI accumulation block (LREIACCBLK) bit controls the extraction and accumulation of line REI errors from the M1 byte. When LREIACCBLK is set to logic 1, the extracted line REI are interpreted as block BIP-24 errors (a maximum of 1 error per STS-3/STM-1 per frame). When LREIACCBLK is set to logic 0, the extracted line REI are interpreted as BIP-8 errors (a maximum of 8 errors per STS-1/STM-0 per frame).

Register 0081H, 0481H, 0881H, and 0C81H: RRMP Status

Bit	Type	Function	Default
Bit 15	—	Unused	X
Bit 14	—	Unused	X
Bit 13	—	Unused	X
Bit 12	—	Unused	X
Bit 11	—	Unused	X
Bit 10	—	Unused	X
Bit 9	—	Unused	X
Bit 8	—	Unused	X
Bit 7	—	Unused	X
Bit 6	—	Unused	X
Bit 5	R	APSBFV	X
Bit 4	R	LRDIV	X
Bit 3	R	LAISV	X
Bit 2	R	LOSV	X
Bit 1	R	LOFV	X
Bit 0	R	OOFV	X

The Status Register is provided at RRMP read/write address 0081H, 0481H, 0881H, and 0C81H.

OOFV

The OOFV bit reflects the current status of the out of frame defect. The OOF defect is declared when four consecutive frames have one or more bit error in their framing patterns. The OOF defect is cleared when two consecutive error-free framing patterns are found.

LOFV

The LOFV bit reflects the current status of the loss of frame defect. The LOF defect is declared when an out of frame condition exists for a total period of 3ms during which there is no continuous in frame period of 3ms. The LOF defect is cleared when an in frame condition exists for a continuous period of 3 ms.

LOSV

The LOSV bit reflects the current status of the loss of signal defect. The LOS defect is declared when 20 μ s of consecutive all zeros pattern is detected in the receive data stream. The LOS defect is cleared when two consecutive error free framing patterns are found and during the intervening time (one frame) there is no violating period of consecutive all zeros pattern.

LAISV

The LAISV bit reflects the current status of the line alarm indication signal defect. The AIS-L defect is declared when the '111' pattern is detected in bits 6,7 and 8 of the K2 byte for three or five consecutive frames. The AIS-L defect is cleared when any pattern other than '111' is detected in bits 6, 7, and 8 of the K2 byte for three or five consecutive frames.

LRDIV

The LRDIV bit reflects the current status of the line remote defect indication signal defect. The RDI-L defect is declared when the '110' pattern is detected in bits 6, 7, and 8 of the K2 byte for three or five consecutive frames. The RDI-L defect is cleared when any pattern other than '110' is detected in bits 6, 7, and 8 of the K2 byte for three or five consecutive frames.

APSBFV

The APSBF bit reflects the current status of the APS byte failure defect. The APS byte failure defect is declared when no three consecutive identical K1 bytes are received in the last twelve consecutive frames starting with the last frame containing a previously consistent byte. The APS byte failure defect is cleared when three consecutive identical K1 bytes are received.

Register 0082H, 0482H, 0882H, and 0C82H: RRMP Interrupt Enable

Bit	Type	Function	Default
Bit 15	—	Unused	X
Bit 14	—	Unused	X
Bit 13	—	Unused	X
Bit 12	—	Unused	X
Bit 11	—	Unused	X
Bit 10	R/W	LREIEE	0
Bit 9	R/W	LBIPEE	0
Bit 8	R/W	SBIPEE	0
Bit 7	R/W	COSSME	0
Bit 6	R/W	COAPSE	0
Bit 5	R/W	APSBFE	0
Bit 4	R/W	LRDIE	0
Bit 3	R/W	LAISE	0
Bit 2	R/W	LOSE	0
Bit 1	R/W	LOFE	0
Bit 0	R/W	OOFE	0

The Interrupt Enable Register is provided at RRMP read/write address 0082H, 0482H, 0882H, and 0C82H.

OOFE

The out of frame interrupt enable (OOFE) bit controls the activation of the interrupt output. When OOFE is set to logic 1, the OOFI pending interrupt will assert the interrupt output. When OOFE is set to logic 0, the OOFI pending interrupt will not assert the interrupt output.

LOFE

The loss of frame interrupt enable (LOFE) bit controls the activation of the interrupt output. When LOFE is set to logic 1, the LOFI pending interrupt will assert the interrupt output. When LOFE is set to logic 0, the LOFI pending interrupt will not assert the interrupt output.

LOSE

The loss of signal interrupt enable (LOSE) bit controls the activation of the interrupt output. When LOSE is set to logic 1, the LOSI pending interrupt will assert the interrupt output. When LOSE is set to logic 0, the LOSI pending interrupt will not assert the interrupt output.

LAISE

The line alarm indication signal enable (LAISE) bit controls the activation of the interrupt output. When LAISE is set to logic 1, the LAISI pending interrupt will assert the interrupt output. When LAISE is set to logic 0, the LAISI pending interrupt will not assert the interrupt output.

LRDIE

The line remote defect indication interrupt enable (LRDIE) bit controls the activation of the interrupt output. When LRDIE is set to logic 1, the LRDII pending interrupt will assert the interrupt output. When LRDIE is set to logic 0, the LRDII pending interrupt will not assert the interrupt output.

APSBFE

The APS byte failure interrupt enable (APSBFE) bit controls the activation of the interrupt output. When APSBFE is set to logic 1, the APSBFI pending interrupt will assert the interrupt output. When APSBFE is set to logic 0, the APSBFI pending interrupt will not assert the interrupt output.

COAPSE

The change of APS bytes interrupt enable (COAPSE) bit controls the activation of the interrupt output. When COAPSE is set to logic 1, the COAPSI pending interrupt will assert the interrupt output. When COAPSE is set to logic 0, the COAPSI pending interrupt will not assert the interrupt output.

COSSME

The change of SSM message interrupt enable (COSSME) bit controls the activation of the interrupt output. When COSSME is set to logic 1, the COSSMI pending interrupt will assert the interrupt output. When COSSME is set to logic 0, the COSSMI pending interrupt will not assert the interrupt output.

SBIPEE

The section BIP errors interrupt enable (SBIPEE) bit controls the activation of the interrupt output. When SBIPEE is set to logic 1, the SBIPEI pending interrupt will assert the interrupt output. When SBIPEE is set to logic 0, the SBIPEI pending interrupt will not assert the interrupt output.

LBIPEE

The line BIP errors interrupt enable (LBIPEE) bit controls the activation of the interrupt output. When LBIPEE is set to logic 1, the LBIPEI pending interrupt will assert the interrupt output. When LBIPEE is set to logic 0, the LBIPEI pending interrupt will not assert the interrupt output.

LREIEE

The line REI errors interrupt enable (LREIEE) bit controls the activation of the interrupt output. When LREIEE is set to logic 1, the LREIEI pending interrupt will assert the interrupt output. When LREIEE is set to logic 0, the LREIEI pending interrupt will not assert the interrupt output.

Register 0083H, 0483H, 0883H, and 0C83H: RRMP Interrupt Status

Bit	Type	Function	Default
Bit 15	—	Unused	X
Bit 14	—	Unused	X
Bit 13	—	Unused	X
Bit 12	—	Unused	X
Bit 11	—	Unused	X
Bit 10	R	LREIEI	X
Bit 9	R	LBIPEI	X
Bit 8	R	SBIPEI	X
Bit 7	R	COSSMI	X
Bit 6	R	COAPSI	X
Bit 5	R	APSBFI	X
Bit 4	R	LRDII	X
Bit 3	R	LAI SI	X
Bit 2	R	LOSI	X
Bit 1	R	LOFI	X
Bit 0	R	OOFI	X

The Interrupt Status Register is provided at RRMP read/write address 0083H, 0483H, 0883H, and 0C83H.

Clear mode of interrupts depends on the WCIMODE mode. When WCIMODE input is logic 0, all the interrupts are cleared when the Interrupt Status Register is read. When WCIMODE input is logic 1, a given interrupt is cleared only if the corresponding bit is logic 1 when the Interrupt Status Register is written.

OOFI

The out of frame interrupt status (OOFI) bit is an event indicator. OOFI is set to logic 1 to indicate any change in the status of OOFV. The interrupt status bit is independent of the interrupt enable bit.

LOFI

The loss of frame interrupt status (LOFI) bit is an event indicator. LOFI is set to logic 1 to indicate any change in the status of LOFV. The interrupt status bit is independent of the interrupt enable bit.

LOSI

The loss of signal interrupt status (LOSI) bit is an event indicator. LOSI is set to logic 1 to indicate any change in the status of LOSV. The interrupt status bit is independent of the interrupt enable bit.

LAISI

The line alarm indication signal interrupt status (LAISI) bit is an event indicator. LAISI is set to logic 1 to indicate any change in the status of LAISV. The interrupt status bit is independent of the interrupt enable bit.

LRDII

The line remote defect indication interrupt status (LRDII) bit is an event indicator. LRDII is set to logic 1 to indicate any change in the status of LRDIV. The interrupt status bit is independent of the interrupt enable bit.

APSBFI

The APS byte failure interrupt status (APSBFI) bit is an event indicator. APSBFI is set to logic 1 to indicate any change in the status of APSBFV. The interrupt status bit is independent of the interrupt enable bit.

COAPSI

The change of APS bytes interrupt status (COAPSI) bit is an event indicator. COAPSI is set to logic 1 to indicate new APS bytes. The interrupt status bit is independent of the interrupt enable bit.

COSSMI

The change of SSM message interrupt status (COSSMI) bit is an event indicator. COSSMI is set to logic 1 to indicate a new SSM message. The interrupt status bit is independent of the interrupt enable bit.

SBIPEI

The section BIP error interrupt status (SBIPEI) bit is an event indicator. SBIPEI is set to logic 1 to indicate a section BIP error. The interrupt status bit is independent of the interrupt enable bit.

LBIPEI

The line BIP error interrupt status (LBIPEI) bit is an event indicator. LBIPEI is set to logic 1 to indicate a line BIP error. The interrupt status bit is independent of the interrupt enable bit.

LREIEI

The line REI error interrupt status (LREIEI) bit is an event indicator. LREIEI is set to logic 1 to indicate a line REI error. The interrupt status bit is independent of the interrupt enable bit.

Downloaded by Content Team of Partminer Inc on Thursday, 27 April, 2006 09:55:00 AM

Register 0084H, 0484H, 0884H, and 0C84H: RRMP Receive APS

Bit	Type	Function	Default
Bit 15	R	K1V[7]	X
Bit 14	R	K1V[6]	X
Bit 13	R	K1V[5]	X
Bit 12	R	K1V[4]	X
Bit 11	R	K1V[3]	X
Bit 10	R	K1V[2]	X
Bit 9	R	K1V[1]	X
Bit 8	R	K1V[0]	X
Bit 7	R	K2V[7]	X
Bit 6	R	K2V[6]	X
Bit 5	R	K2V[5]	X
Bit 4	R	K2V[4]	X
Bit 3	R	K2V[3]	X
Bit 2	R	K2V[2]	X
Bit 1	R	K2V[1]	X
Bit 0	R	K2V[0]	X

The Receive APS Register is provided at RRMP read/write address 0084H, 0484H, 0884H, and 0C84H.

K2V[7:0]/K1V[7:0]

The APS K1/K2 bytes value (K2V[7:0]/K1V[7:0]) bits represent the extracted K1/K2 APS bytes. K1V/K2V is updated when the same K1 and K2 bytes (forming a single entity) are received for three consecutive frames.

Register 0085H, 0485H, 0885H, and 0C85H: RRMP Receive SSM

Bit	Type	Function	Default
Bit 15	R/W	BYTESSM	0
Bit 14	R/W	FLTRSSM	0
Bit 13	—	Unused	X
Bit 12	—	Unused	X
Bit 11	—	Unused	X
Bit 10	—	Unused	X
Bit 9	—	Unused	X
Bit 8	—	Unused	X
Bit 7	R	SSMV[7]	X
Bit 6	R	SSMV[6]	X
Bit 5	R	SSMV[5]	X
Bit 4	R	SSMV[4]	X
Bit 3	R	SSMV[3]	X
Bit 2	R	SSMV[2]	X
Bit 1	R	SSMV[1]	X
Bit 0	R	SSMV[0]	X

The Receive SSM Register is provided at RRMP read/write address 0085H, 0485H, 0885H, and 0C85H.

SSMV[7:0]

The synchronization status message value (SSMV[7:0]) bits represent the extracted S1 nibble (or byte). When filtering is enabled via the FLTRSSM register bit, SSMV is updated when the same S1 nibble (or byte) is received for eight consecutive frames. When filtering is disabled, SSMV is updated every frame.

FLTRSSM

The filter synchronization status message (FLTRSSM) bit enables the filtering of the SSM nibble (or byte). When FLTRSSM is set to logic 1, the SSM value is updated when the same SSM is received for eight consecutive frames. When FLTRSSM is set to logic 0, the SSM value is updated every frame.

BYTESSM

The byte synchronization status message (BYTESSM) bit extends the SSM from a nibble to a byte. When BYTESSM is set to logic 1, the SSM is a byte and bit 1 to 8 of the S1 byte are considered. When BYTESSM is set to logic 0, the SSM is a nibble and only bit 5 to 8 of the S1 byte are considered.

Register 0086H, 0486H, 0886H, and 0C86H: RRMP AIS Enable

Bit	Type	Function	Default
Bit 15	—	Unused	X
Bit 14	—	Unused	X
Bit 13	—	Unused	X
Bit 12	—	Unused	X
Bit 11	—	Unused	X
Bit 10	—	Unused	X
Bit 9	—	Unused	X
Bit 8	—	Unused	X
Bit 7	—	Unused	X
Bit 6	—	Unused	X
Bit 5	—	Unused	X
Bit 4	R/W	K2AIS	0
Bit 3	R/W	RLAISINS	0
Bit 2	R/W	RLAISEN	0
Bit 1	R/W	RLOHAISEN	0
Bit 0	R/W	RSOHAISEN	0

The AIS Enable Register is provided at RRMP read/write address 0086H, 0486H, 0886H, and 0C86H.

RSOHAISEN

The receive section overhead AIS enable (RSOHAISEN) bit enables AIS insertion on RTOH and RSLD when carrying section overhead bytes. When RSOHAISEN is set to logic 1, all ones are forced on the section overhead bytes when AIS-L is declared. When RSOHAISEN is set to logic 0, no AIS are forced on the section overhead bytes regardless of the AIS-L status.

RLOHAISEN

The receive line overhead AIS enable (RLOHAISEN) bit enables AIS insertion on RTOH, RLD and RSLD when carrying line overhead bytes. When RLOHAISEN is set to logic 1, all ones are forced on the line overhead bytes when AIS-L is declared. When RLOHAISEN is set to logic 0, no AIS are forced on the line overhead bytes regardless of the AIS-L status.

RLAISEN

The receive line AIS enable (RLAISEN) bit enables line AIS insertion in the outgoing data stream. When RLAISEN is set to logic 1, line AIS is inserted in the outgoing data stream when AIS-L is declared. When RLAISEN is set to logic 0, no line AIS is inserted regardless of the AIS-L status.

RLAISINS

The receive line AIS insertion (RLAISIN) bit forces line AIS insertion in the outgoing data stream. When RLAISINS is set to logic 1, all ones are inserted in the line overhead bytes and in the payload bytes (all the bytes of the frame except the section overhead bytes) to force a line AIS condition. When RLAISINS is set to logic 0, the line AIS condition is removed.

K2AIS

The K2 line AIS (K2AIS) bit restricts line AIS to the K2 byte. When K2AIS is set to logic 1, line AIS is only inserted in bits 6, 7 and 8 of the K2 byte. When K2AIS is set to logic 0, line AIS is inserted in the line overhead bytes and in the payload bytes (all the bytes of the frame except the section overhead bytes).

Register 0087H, 0487H, 0887H, and 0C87H: RRMP Section BIP Error Counter

Bit	Type	Function	Default
Bit 15	R	SBIPE[15]	X
Bit 14	R	SBIPE[14]	X
Bit 13	R	SBIPE[13]	X
Bit 12	R	SBIPE[12]	X
Bit 11	R	SBIPE[11]	X
Bit 10	R	SBIPE[10]	X
Bit 9	R	SBIPE[9]	X
Bit 8	R	SBIPE[8]	X
Bit 7	R	SBIPE[7]	X
Bit 6	R	SBIPE[6]	X
Bit 5	R	SBIPE[5]	X
Bit 4	R	SBIPE[4]	X
Bit 3	R	SBIPE[3]	X
Bit 2	R	SBIPE[2]	X
Bit 1	R	SBIPE[1]	X
Bit 0	R	SBIPE[0]	X

The Section BIP Error Counter Register is provided at RRMP read/write address 0087H, 0487H, 0887H, and 0C87H.

SBIPE[15:0]

The section BIP error (SBIPE[15:0]) bits represent the number of section BIP errors that have been detected since the last accumulation interval. The error counter is transferred to the holding registers by a microprocessor write to any of the holding registers (0X87H to 0X8BH) or the Master Configuration Register (0000H).

Register 0088H, 0488H, 0888H, and 0C88H: RRMP Line BIP Error Counter (LSB)

Bit	Type	Function	Default
Bit 15	R	LBIPE[15]	X
Bit 14	R	LBIPE[14]	X
Bit 13	R	LBIPE[13]	X
Bit 12	R	LBIPE[12]	X
Bit 11	R	LBIPE[11]	X
Bit 10	R	LBIPE[10]	X
Bit 9	R	LBIPE[9]	X
Bit 8	R	LBIPE[8]	X
Bit 7	R	LBIPE[7]	X
Bit 6	R	LBIPE[6]	X
Bit 5	R	LBIPE[5]	X
Bit 4	R	LBIPE[4]	X
Bit 3	R	LBIPE[3]	X
Bit 2	R	LBIPE[2]	X
Bit 1	R	LBIPE[1]	X
Bit 0	R	LBIPE[0]	X

The Line BIP Error Counter Register is provided at RRMP read/write address 0088H, 0488H, 0888H, and 0C88H.

Register 0089H, 0489H, 0889H, and 0C89H: RRMP Line BIP Error Counter (MSB)

Bit	Type	Function	Default
Bit 15	—	Unused	X
Bit 14	—	Unused	X
Bit 13	—	Unused	X
Bit 12	—	Unused	X
Bit 11	—	Unused	X
Bit 10	—	Unused	X
Bit 9	—	Unused	X
Bit 8	—	Unused	X
Bit 7	R	LBIPE[23]	X
Bit 6	R	LBIPE[22]	X
Bit 5	R	LBIPE[21]	X
Bit 4	R	LBIPE[20]	X
Bit 3	R	LBIPE[19]	X
Bit 2	R	LBIPE[18]	X
Bit 1	R	LBIPE[17]	X
Bit 0	R	LBIPE[16]	X

The Line BIP Error Counter Register is provided at RRMP read/write address 0089H, 0489H, 0889H, and 0C89H.

LBIPE[23:0]

The line BIP error (LBIPE[23:0]) bits represent the number of line BIP errors that have been detected since the last accumulation interval. The error counter is transferred to the holding registers by a microprocessor write access to any of the holding registers (0X87H to 0X8BH) or the Master Configuration Register (0000H).

Register 008AH, 048AH, 088AH, and 0C8AH: RRMP Line REI Error Counter (LSB)

Bit	Type	Function	Default
Bit 15	R	LREIE[15]	X
Bit 14	R	LREIE[14]	X
Bit 13	R	LREIE[13]	X
Bit 12	R	LREIE[12]	X
Bit 11	R	LREIE[11]	X
Bit 10	R	LREIE[10]	X
Bit 9	R	LREIE[9]	X
Bit 8	R	LREIE[8]	X
Bit 7	R	LREIE[7]	X
Bit 6	R	LREIE[6]	X
Bit 5	R	LREIE[5]	X
Bit 4	R	LREIE[4]	X
Bit 3	R	LREIE[3]	X
Bit 2	R	LREIE[2]	X
Bit 1	R	LREIE[1]	X
Bit 0	R	LREIE[0]	X

The Line REI Error Counter Register is provided at RRMP read/write address 008AH, 048AH, 088AH, and 0C8AH.

Register 008BH, 048BH, 088BH, and 0C8BH: RRMP Line REI Error Counter (MSB)

Bit	Type	Function	Default
Bit 15	—	Unused	X
Bit 14	—	Unused	X
Bit 13	—	Unused	X
Bit 12	—	Unused	X
Bit 11	—	Unused	X
Bit 10	—	Unused	X
Bit 9	—	Unused	X
Bit 8	—	Unused	X
Bit 7	R	LREIE[23]	X
Bit 6	R	LREIE[22]	X
Bit 5	R	LREIE[21]	X
Bit 4	R	LREIE[20]	X
Bit 3	R	LREIE[19]	X
Bit 2	R	LREIE[18]	X
Bit 1	R	LREIE[17]	X
Bit 0	R	LREIE[16]	X

The Line REI Error Counter Register is provided at RRMP read/write address 008BH, 048BH, 088BH, and 0C8BH.

LREIE[23:0]

The line REI error (LREIE[23:0]) bits represent the number of line REI errors that have been detected since the last accumulation interval. The error counter is transferred to the holding registers by a microprocessor write access to any of the holding registers (0X87H to 0X8BH) or the Master Configuration Register (0000H).

Register 00A0H, 04A0H, 08A0H, and 0CA0H: RTTP SECTION Indirect Address

Bit	Type	Function	Default
Bit 15	R	BUSY	X
Bit 14	R/W	RWB	0
Bit 13	R/W	IADDR[7]	0
Bit 12	R/W	IADDR[6]	0
Bit 11	R/W	IADDR[5]	0
Bit 10	R/W	IADDR[4]	0
Bit 9	R/W	IADDR[3]	0
Bit 8	R/W	IADDR[2]	0
Bit 7	R/W	IADDR[1]	0
Bit 6	R/W	IADDR[0]	0
Bit 5	—	Unused	X
Bit 4	—	Unused	X
Bit 3	R/W	PATH[3]	0
Bit 2	R/W	PATH[2]	0
Bit 1	R/W	PATH[1]	0
Bit 0	R/W	PATH[0]	0

The Indirect Address Register is provided at RTTP read/write address 00A0H, 04A0H, 08A0H, and 0CA0H.

PATH[3:0]

The STS-1/STM-0 path (PATH[3:0]) bits select which STS-1/STM-0 path is accessed by the current indirect transfer. When the RTTP monitors section trace message, path #1 is valid.

PATH[3:0]	STS-1/STM-0 path #
0000	Invalid path
0001	SECTION
0010-1111	Invalid path

IADDR[7:0]

The indirect address location (IADDR[7:0]) bits select which indirect address location is accessed by the current indirect transfer.

Indirect Address IADDR[7:0]	Indirect Data
0000 0000	Configuration
0000 0001 to 0011 1111	Invalid address
0100 0000	First byte of the 1/16/64 byte captured trace

Indirect Address IADDR[7:0]	Indirect Data
0100 0001 to 0111 1111	Other bytes of the 16/64 byte captured trace
1000 0000	First byte of the 1/16/64 byte accepted trace
1000 0001 to 1011 1111	Other bytes of the 16/64 byte accepted trace
1100 0000	First byte of the 16/64 byte expected trace
1100 0001 to 1111 1111	Other bytes of the 16/64 byte expected trace

RWB

The active high read and active low write (RWB) bit selects if the current access to the internal RAM is an indirect read or an indirect write. Writing to the Indirect Address Register initiates an access to the internal RAM. When RWB is set to logic 1, an indirect read access to the RAM is initiated. The data from the addressed location in the internal RAM will be transferred to the Indirect Data Register. When RWB is set to logic 0, an indirect write access to the RAM is initiated. The data from the Indirect Data Register will be transferred to the addressed location in the internal RAM.

BUSY

The active high RAM busy (BUSY) bit reports if a previously initiated indirect access to the internal RAM has been completed. BUSY is set to logic 1 upon writing to the Indirect Address Register. BUSY is set to logic 0, upon completion of the RAM access. This register should be polled to determine when new data is available in the Indirect Data Register. Note: The maximum busy bit set time is 22 clock receive/transmit cycles.

Register 00A1H, 04A1H, 08A1H, and 0CA1H: RTTP SECTION Indirect Data

Bit	Type	Function	Default
Bit 15	R/W	DATA[15]	0
Bit 14	R/W	DATA[14]	0
Bit 13	R/W	DATA[13]	0
Bit 12	R/W	DATA[12]	0
Bit 11	R/W	DATA[11]	0
Bit 10	R/W	DATA[10]	0
Bit 9	R/W	DATA[9]	0
Bit 8	R/W	DATA[8]	0
Bit 7	R/W	DATA[7]	0
Bit 6	R/W	DATA[6]	0
Bit 5	R/W	DATA[5]	0
Bit 4	R/W	DATA[4]	0
Bit 3	R/W	DATA[3]	0
Bit 2	R/W	DATA[2]	0
Bit 1	R/W	DATA[1]	0
Bit 0	R/W	DATA[0]	0

The Indirect Data Register is provided at RTTP read/write address 00A1H, 04A1H, 08A1H, and 0CA1H.

DATA[15:0]

The indirect access data (DATA[15:0]) bits hold the data transfer to or from the internal RAM during indirect access. When RWB is set to logic 1 (indirect read), the data from the addressed location in the internal RAM will be transfer to DATA[15:0]. BUSY should be polled to determine when the new data is available in DATA[15:0]. When RWB is set to logic 0 (indirect write), the data from DATA[15:0] will be transferred to the addressed location in the internal RAM. The indirect Data register must contain valid data before the indirect write is initiated by writing to the Indirect Address Register.

DATA[15:0] has a different meaning depending on which address of the internal RAM is being accessed.

Register 00A2H, 04A2H, 08A2H, and 0CA2H: RTTP SECTION Trace Unstable Status

Bit	Type	Function	Default
Bit 15	—	Unused	X
Bit 14	—	Unused	X
Bit 13	—	Unused	X
Bit 12	—	Unused	X
Bit 11	—	Unused	X
Bit 10	—	Unused	X
Bit 9	—	Unused	X
Bit 8	—	Unused	X
Bit 7	—	Unused	X
Bit 6	—	Unused	X
Bit 5	—	Unused	X
Bit 4	—	Unused	X
Bit 3	—	Unused	X
Bit 2	—	Unused	X
Bit 1	—	Unused	X
Bit 0	R	TIUV	X

The Trace Unstable Status Register is provided at RTTP read/write address 00A2H, 04A2H, 08A2H, and 0CA2H.

TIUV

The trace identifier unstable status (TIUV) bit indicates the current status of the TIU defects for the section trace.

Algorithm 1: TIUV is set to logic 0.

Algorithm 2: TIUV is set to logic 1 when one or more erroneous bytes are detected between the current message and the previous message in a total of 8 trail trace messages without any persistent message in between. TIUV is set to logic 0 when a persistent message is found. A persistent message is found when the same message is receive for 3 or 5 consecutive multi-frames.

Algorithm 3: TIUV is set to logic 1 when one or more erroneous bytes are detected in three consecutive sixteen byte windows. The first window starts on the first erroneous trail trace byte. TIUV is set to logic 0 when the same trail trace byte is received for 48 consecutive frames.

Register 00A3H, 04A3H, 08A3H, and 0CA3H: RTTP SECTION Trace Unstable Interrupt Enable

Bit	Type	Function	Default
Bit 15	—	Unused	X
Bit 14	—	Unused	X
Bit 13	—	Unused	X
Bit 12	—	Unused	X
Bit 11	—	Unused	X
Bit 10	—	Unused	X
Bit 9	—	Unused	X
Bit 8	—	Unused	X
Bit 7	—	Unused	X
Bit 6	—	Unused	X
Bit 5	—	Unused	X
Bit 4	—	Unused	X
Bit 3	—	Unused	X
Bit 2	—	Unused	X
Bit 1	—	Unused	X
Bit 0	R/W	TIUE	0

The Trace Unstable Interrupt Enable Register is provided at RTTP read/write address 00A3H, 04A3H, 08A3H, and 0CA3H.

TIUE

The trace identifier unstable interrupt enable (TIUE) bit controls the activation of the interrupt output for the section trace. When this bit is set to logic 1, the corresponding pending interrupt will assert the interrupt output. When this bit is set to logic 0, the corresponding pending interrupt will not assert the interrupt output.

Register 00A4H, 04A4H, 08A4H, and 0CA4H: RTTP SECTION Trace Unstable Interrupt Status

Bit	Type	Function	Default
Bit 15	—	Unused	X
Bit 14	—	Unused	X
Bit 13	—	Unused	X
Bit 12	—	Unused	X
Bit 11	—	Unused	X
Bit 10	—	Unused	X
Bit 9	—	Unused	X
Bit 8	—	Unused	X
Bit 7	—	Unused	X
Bit 6	—	Unused	X
Bit 5	—	Unused	X
Bit 4	—	Unused	X
Bit 3	—	Unused	X
Bit 2	—	Unused	X
Bit 1	—	Unused	X
Bit 0	R	TIUI	X

The Trace Unstable Interrupt Status Register is provided at RTTP read/write address 00A4H, 04A4H, 08A4H, and 0CA4H.

TIUI

The trace identifier unstable interrupt status (TIUI) bit is an event indicator for the section trace. TIUI is set to logic 1 to indicate any changes in the status of TIUV (stable to unstable, unstable to stable). This interrupt status bit is independent of the interrupt enable bit. TIUI is cleared to logic 0 when this register is read.

Register 00A5H, 04A5H, 08A5H, and 0CA5H: RTTP SECTION Trace Mismatch Status

Bit	Type	Function	Default
Bit 15	—	Unused	X
Bit 14	—	Unused	X
Bit 13	—	Unused	X
Bit 12	—	Unused	X
Bit 11	—	Unused	X
Bit 10	—	Unused	X
Bit 9	—	Unused	X
Bit 8	—	Unused	X
Bit 7	—	Unused	X
Bit 6	—	Unused	X
Bit 5	—	Unused	X
Bit 4	—	Unused	X
Bit 3	—	Unused	X
Bit 2	—	Unused	X
Bit 1	—	Unused	X
Bit 0	R	TIMV	X

The Trace Mismatch Status Register is provided at RTTP read/write address 00A5H, 04A5H, 08A5H, and 0CA5H.

TIMV

The trace identifier mismatch status (TIMV) bit indicates the current status of the TIM defects for the section trace.

Algorithm 1: TIMV is set to logic 1 when none of the last 20 messages matches the expected message. TIMV is set to logic 0 when 16 of the last 20 messages match the expected message.

Algorithm 2: TIMV is set to logic 1 when the accepted message does not match the expected message. TIMV is set to logic 0 when the accepted message matches the expected message.

Algorithm 3: TIMV is set to logic 0.

Register 00A6H, 04A6H, 08A6H, and 0CA6H: RTTP SECTION Trace Mismatch Interrupt Enable

Bit	Type	Function	Default
Bit 15	—	Unused	X
Bit 14	—	Unused	X
Bit 13	—	Unused	X
Bit 12	—	Unused	X
Bit 11	—	Unused	X
Bit 10	—	Unused	X
Bit 9	—	Unused	X
Bit 8	—	Unused	X
Bit 7	—	Unused	X
Bit 6	—	Unused	X
Bit 5	—	Unused	X
Bit 4	—	Unused	X
Bit 3	—	Unused	X
Bit 2	—	Unused	X
Bit 1	—	Unused	X
Bit 0	R/W	TIME	0

The Trace Mismatch Interrupt Enable Register is provided at RTTP read/write address 00A6H, 04A6H, 08A6H, and 0CA6H.

TIME

The trace identifier mismatch interrupt enable (TIME) bit controls the activation of the interrupt output for the section trace. When this bit is set to logic 1, the corresponding pending interrupt will assert the interrupt output. When this bit is set to logic 0, the corresponding pending interrupt will not assert the interrupt output.

Register 00A7H, 04A7H, 08A7H, and 0CA7H: RTTP SECTION Trace Mismatch Interrupt Status

Bit	Type	Function	Default
Bit 15	—	Unused	X
Bit 14	—	Unused	X
Bit 13	—	Unused	X
Bit 12	—	Unused	X
Bit 11	—	Unused	X
Bit 10	—	Unused	X
Bit 9	—	Unused	X
Bit 8	—	Unused	X
Bit 7	—	Unused	X
Bit 6	—	Unused	X
Bit 5	—	Unused	X
Bit 4	—	Unused	X
Bit 3	—	Unused	X
Bit 2	—	Unused	X
Bit 1	—	Unused	X
Bit 0	R	TIMI	X

The Trace Mismatch Interrupt Status Register is provided at RTTP read/write address 00A7H, 04A7H, 08A7H, and 0CA7H.

TIMI

The trace identifier mismatch interrupt status (TIMI) bit is an event indicator for the section trace. TIMI is set to logic 1 to indicate any changes in the status of TIMV (match to mismatch, mismatch to match). This interrupt status bit is independent of the interrupt enable bit. TIMI is cleared to logic 0 when this register is read.

Indirect Register 00H: RTTP SECTION Trace Configuration

Bit	Type	Function	Default
Bit 15	—	Unused	X
Bit 14	—	Unused	X
Bit 13	—	Unused	X
Bit 12	—	Unused	X
Bit 11	—	Unused	X
Bit 10	—	Unused	X
Bit 9	—	Unused	X
Bit 8	—	Unused	X
Bit 7	—	Unused	X
Bit 6	R/W	SYNCCRLF	0
Bit 5	R/W	ZEROEN	0
Bit 4	R/W	PER5	0
Bit 3	R/W	NOSYNC	0
Bit 2	R/W	LENGTH16	0
Bit 1	R/W	ALGO[1]	0
Bit 0	R/W	ALGO[0]	0

The Trace Configuration Indirect Register is provided at RTTP read/write indirect address 00H.

ALGO[1:0]

The trail trace algorithm select (ALGO[1:0]) bits select the algorithm used to process the trail trace message.

ALGO[1:0]	Trail Trace Algorithm
00	Algorithm disabled
01	Algorithm 1
10	Algorithm 2
11	Algorithm 3

When ALGO[1:0] is set to logic 00b, the trail trace algorithms are disabled. The corresponding TIUV, TIMV register bits and the corresponding TIU, TIM output signal are set to logic 0.

LENGTH16

The message length (LENGTH16) bit selects the length of the trail trace message used by algorithm 1 and algorithm 2. When LENGTH16 is set to logic 1, the length of the trail trace message is 16 bytes. When LENGTH16 is set to logic 0, the length of the trail trace message is 64 bytes.

NOSYNC

The synchronization disable (NOSYNC) bit disables the synchronization of the trail trace message in algorithm 1 and algorithm 2. When NOSYNC is set to logic 1, no synchronization is done on the trail trace message. The bytes of the trail trace message are written in the captured page as in a circular buffer. When NOSYNC is set to logic 0, synchronization is done on the trail trace message. See SYNCCTRL to determine how synchronization is handled when NOSYNC = 0.

PER5

The message persistency (PER5) bit selects the number of multi-frames a trail trace message must receive in order to be declared persistent in algorithm 2. When PER5 is set to logic 1, the same trail trace message must be received for 5 consecutive multi-frames to be declared persistent. When PER5 is set to logic 0, the same trail trace message must be received for 3 consecutive multi-frames to be declared persistent.

ZEROEN

The all zero message enable (ZEROEN) bit selects if the all zero messages are validated or not against the expected message in algorithm 1 and algorithm 2. When ZEROEN is set to logic 1, an all zero captured message in algorithm 1 and an all zero accepted message in algorithm 2 are validated against the expected message. A match is declared when both the captured/accepted message and the expected message are all zero. When ZEROEN is set to logic 0, an all zero captured message in algorithm 1 and an all zero accepted message in algorithm 2 are not validated against the expected message but are considered match. A match is declared when the captured/accepted message is all zero regardless of the expected message.

SYNCCRLF

The synchronization on CR/LF characters (SYNCCRLF) bit selects if the current algorithm (except algo3) synchronizes on the CR/LF ASCII characters or on the byte with its MSB set high. When SYNCCRLF is set to logic 1, the current algorithm synchronizes when it receives the ASCII character "CR" (carriage return) followed by "LF" (line feed) and the current active byte becomes the last byte of the message. When SYNCCRLF is set to 0, the current algorithm synchronizes when receiving a byte with its MSB set to logic 1. The current active byte then becomes the first byte of the message.

Indirect Register 40H to 7FH: RTTP SECTION Captured Trace

Bit	Type	Function	Default
Bit 15	—	Unused	X
Bit 14	—	Unused	X
Bit 13	—	Unused	X
Bit 12	—	Unused	X
Bit 11	—	Unused	X
Bit 10	—	Unused	X
Bit 9	—	Unused	X
Bit 8	—	Unused	X
Bit 7	R	CTRACE[7]	X
Bit 6	R	CTRACE[6]	X
Bit 5	R	CTRACE[5]	X
Bit 4	R	CTRACE[4]	X
Bit 3	R	CTRACE[3]	X
Bit 2	R	CTRACE[2]	X
Bit 1	R	CTRACE[1]	X
Bit 0	R	CTRACE[0]	X

The Captured Trace Indirect Register is provided at RTTP read/write indirect address 40H to 7FH.

CTRACE[7:0]

The captured trail trace message (CTRACE[7:0]) bits contain the currently received trail trace message. When algorithm 1 or 2 is selected and LENGTH16 is set to logic 1, the captured message is stored between address 40h and 4Fh. When algorithm 1 or 2 is selected and LENGTH16 is set to logic 0, the captured message is stored between address 40h and 7Fh. When NOSYNC is set to logic 1, the captured message is not synchronized. When NOSYNC is set to logic 0, the captured message is synchronized and the first byte of the message is stored at address 40h. When algorithm 3 is selected, the captured byte is stored at address 40h.

Indirect Register 80H to BFH: RTTP SECTION Accepted Trace

Bit	Type	Function	Default
Bit 15	—	Unused	X
Bit 14	—	Unused	X
Bit 13	—	Unused	X
Bit 12	—	Unused	X
Bit 11	—	Unused	X
Bit 10	—	Unused	X
Bit 9	—	Unused	X
Bit 8	—	Unused	X
Bit 7	R	ATRACE[7]	X
Bit 6	R	ATRACE[6]	X
Bit 5	R	ATRACE[5]	X
Bit 4	R	ATRACE[4]	X
Bit 3	R	ATRACE[3]	X
Bit 2	R	ATRACE[2]	X
Bit 1	R	ATRACE[1]	X
Bit 0	R	ATRACE[0]	X

The Accepted Trace Indirect Register is provided at RTTP read/write indirect address 80H to BFH.

ATRACE[7:0]

The accepted trail trace message (ATRACE[7:0]) bits contain the persistent trail trace message. When algorithm 1 is selected, the accepted message will not be updated. When algorithm 2 is selected and PER5 is set to logic 1, the accepted message is the same trail trace message received for 5 consecutive multi-frames. When algorithm 2 is selected and PER5 is set to logic 0, the accepted message is the same trail trace message received for 3 consecutive multi-frames. When algorithm 2 is selected and LENGTH16 is set to logic 1, the accepted message is stored between address 80h and 8Fh. When algorithm 2 is selected and LENGTH16 is set to logic 0, the accepted message is stored between address 80h and BFh. When algorithm 3 is selected, the accepted byte is the same trail trace byte received for 48 frames. When algorithm 3 is selected, the accepted byte is stored at address 80h.

Indirect Register C0H to FFH: RTTP SECTION Expected Trace

Bit	Type	Function	Default
Bit 15	—	Unused	X
Bit 14	—	Unused	X
Bit 13	—	Unused	X
Bit 12	—	Unused	X
Bit 11	—	Unused	X
Bit 10	—	Unused	X
Bit 9	—	Unused	X
Bit 8	—	Unused	X
Bit 7	R/W	ETRACE[7]	X
Bit 6	R/W	ETRACE[6]	X
Bit 5	R/W	ETRACE[5]	X
Bit 4	R/W	ETRACE[4]	X
Bit 3	R/W	ETRACE[3]	X
Bit 2	R/W	ETRACE[2]	X
Bit 1	R/W	ETRACE[1]	X
Bit 0	R/W	ETRACE[0]	X

The Expected Trace Indirect Register is provided at RTTP read/write indirect address C0H to FFH.

ETRACE[7:0]

The expected trail trace message (ETRACE[7:0]) bits contain a static message written by an external microprocessor. In algorithm 1 the expected message is used to validate the captured message. In algorithm 2 the expected message is used to validate the accepted message. When LENGTH16 is set to logic 1, the expected message must be written between address C0h and CFh. When LENGTH16 is set to logic 0, the accepted message must be written between address C0h and FFh.

Register 00C0H, 04C0H, 08C0H, and 0CC0H: RTTP PATH Indirect Address

Bit	Type	Function	Default
Bit 15	R	BUSY	X
Bit 14	R/W	RWB	0
Bit 13	R/W	IADDR[7]	0
Bit 12	R/W	IADDR[6]	0
Bit 11	R/W	IADDR[5]	0
Bit 10	R/W	IADDR[4]	0
Bit 9	R/W	IADDR[3]	0
Bit 8	R/W	IADDR[2]	0
Bit 7	R/W	IADDR[1]	0
Bit 6	R/W	IADDR[0]	0
Bit 5	—	Unused	X
Bit 4	—	Unused	X
Bit 3	R/W	PATH[3]	0
Bit 2	R/W	PATH[2]	0
Bit 1	R/W	PATH[1]	0
Bit 0	R/W	PATH[0]	0

The Indirect Address Register is provided at RTTP read/write address 00C0H, 04C0H, 08C0H, and 0CC0H.

PATH[3:0]

The STS-1/STM-0 path (PATH[3:0]) bits select which STS-1/STM-0 path is accessed by the current indirect transfer. When the RTTP monitors path trace messages, paths #1 to #12 are valid.

PATH[3:0]	STS-1/STM-0 path #
0000	Invalid path
0001-1100	Path #1 to Path #12
1101-1111	Invalid path

IADDR[7:0]

The indirect address location (IADDR[7:0]) bits select which indirect address location is accessed by the current indirect transfer.

Indirect Address IADDR[7:0]	Indirect Data
0000 0000	Configuration
0000 0001 to 0011 1111	Invalid address
0100 0000	First byte of the 1/16/64 byte captured trace

Indirect Address IADDR[7:0]	Indirect Data
0100 0001 to 0111 1111	Other bytes of the 16/64 byte captured trace
1000 0000	First byte of the 1/16/64 byte accepted trace
1000 0001 to 1011 1111	Other bytes of the 16/64 byte accepted trace
1100 0000	First byte of the 16/64 byte expected trace
1100 0001 to 1111 1111	Other bytes of the 16/64 byte expected trace

RWB

The active high read and active low write (RWB) bit selects if the current access to the internal RAM is an indirect read or an indirect write. Writing to the Indirect Address Register initiates an access to the internal RAM. When RWB is set to logic 1, an indirect read access to the RAM is initiated. The data from the addressed location in the internal RAM will be transferred to the Indirect Data Register. When RWB is set to logic 0, an indirect write access to the RAM is initiated. The data from the Indirect Data Register will be transferred to the addressed location in the internal RAM.

BUSY

The active high RAM busy (BUSY) bit reports if a previously initiated indirect access to the internal RAM has been completed. BUSY is set to logic 1 upon writing to the Indirect Address Register. BUSY is set to logic 0, upon completion of the RAM access. This register should be polled to determine when new data is available in the Indirect Data Register. Note: The maximum busy bit set time is 22 clock receive/transmit cycles.

Register 00C1H, 04C1H, 08C1H, and 0CC1H: RTTP PATH Indirect Data

Bit	Type	Function	Default
Bit 15	R/W	DATA[15]	0
Bit 14	R/W	DATA[14]	0
Bit 13	R/W	DATA[13]	0
Bit 12	R/W	DATA[12]	0
Bit 11	R/W	DATA[11]	0
Bit 10	R/W	DATA[10]	0
Bit 9	R/W	DATA[9]	0
Bit 8	R/W	DATA[8]	0
Bit 7	R/W	DATA[7]	0
Bit 6	R/W	DATA[6]	0
Bit 5	R/W	DATA[5]	0
Bit 4	R/W	DATA[4]	0
Bit 3	R/W	DATA[3]	0
Bit 2	R/W	DATA[2]	0
Bit 1	R/W	DATA[1]	0
Bit 0	R/W	DATA[0]	0

The Indirect Data Register is provided at RTTP read/write address 00C1H, 04C1H, 08C1H, and 0CC1H.

DATA[15:0]

The indirect access data (DATA[15:0]) bits hold the data transfer to or from the internal RAM during indirect access. When RWB is set to logic 1 (indirect read), the data from the addressed location in the internal RAM will be transfer to DATA[15:0]. BUSY should be polled to determine when the new data is available in DATA[15:0]. When RWB is set to logic 0 (indirect write), the data from DATA[15:0] will be transferred to the addressed location in the internal RAM. The indirect Data register must contain valid data before the indirect write is initiated by writing to the Indirect Address Register.

DATA[15:0] has a different meaning depending on which address of the internal RAM is being accessed.

Register 00C2H, 04C2H, 08C2H, and 0CC2H: RTTP PATH Trace Unstable Status

Bit	Type	Function	Default
Bit 15	—	Unused	X
Bit 14	—	Unused	X
Bit 13	—	Unused	X
Bit 12	—	Unused	X
Bit 11	R	TIUV[12]	X
Bit 10	R	TIUV[11]	X
Bit 9	R	TIUV[10]	X
Bit 8	R	TIUV[9]	X
Bit 7	R	TIUV[8]	X
Bit 6	R	TIUV[7]	X
Bit 5	R	TIUV[6]	X
Bit 4	R	TIUV[5]	X
Bit 3	R	TIUV[4]	X
Bit 2	R	TIUV[3]	X
Bit 1	R	TIUV[2]	X
Bit 0	R	TIUV[1]	X

The Trace Unstable Status Register is provided at RTTP read/write address 00C2H, 04C2H, 08C2H, and 0CC2H.

TIUV[12:1]

The trace identifier unstable status (TIUV[12:1]) bits indicate the current status of the TIU defects for STS-1/STM-0 paths #1 to #12.

Algorithm 1: TIUV is set to logic 0.

Algorithm 2: TIUV is set to logic 1 when one or more erroneous bytes are detected between the current message and the previous message in a total of 8 trail trace messages without any persistent message in between. TIUV is set to logic 0 when a persistent message is found. A persistent message is found when the same message is receive for 3 or 5 consecutive multi-frames.

Algorithm 3: TIUV is set to logic 1 when one or more erroneous bytes are detected in three consecutive sixteen byte windows. The first window starts on the first erroneous trail trace byte. TIUV is set to logic 0 when the same trail trace byte is received for 48 consecutive frames.

Register 00C3H, 04C3H, 08C3H, and 0CC3H: RTTP PATH Trace Unstable Interrupt Enable

Bit	Type	Function	Default
Bit 15	—	Unused	X
Bit 14	—	Unused	X
Bit 13	—	Unused	X
Bit 12	—	Unused	X
Bit 11	R/W	TIUE[12]	0
Bit 10	R/W	TIUE[11]	0
Bit 9	R/W	TIUE[10]	0
Bit 8	R/W	TIUE[9]	0
Bit 7	R/W	TIUE[8]	0
Bit 6	R/W	TIUE[7]	0
Bit 5	R/W	TIUE[6]	0
Bit 4	R/W	TIUE[5]	0
Bit 3	R/W	TIUE[4]	0
Bit 2	R/W	TIUE[3]	0
Bit 1	R/W	TIUE[2]	0
Bit 0	R/W	TIUE[1]	0

The Trace Unstable Interrupt Enable Register is provided at RTTP read/write address 00C3H, 04C3H, 08C3H, and 0CC3H.

TIUE[12:1]

The trace identifier unstable interrupt enable (TIUE[12:1]) bits control the activation of the interrupt output for STS-1/STM-0 paths #1 to #12. When any of these bit locations is set to logic 1, the corresponding pending interrupt will assert the interrupt output. When any of these bit locations is set to logic 0, the corresponding pending interrupt will not assert the interrupt output.

Register 00C4H, 04C4H, 08C4H, and 0CC4H: RTTP PATH Trace Unstable Interrupt Status

Bit	Type	Function	Default
Bit 15	—	Unused	X
Bit 14	—	Unused	X
Bit 13	—	Unused	X
Bit 12	—	Unused	X
Bit 11	R	TIUI[12]	X
Bit 10	R	TIUI[11]	X
Bit 9	R	TIUI[10]	X
Bit 8	R	TIUI[9]	X
Bit 7	R	TIUI[8]	X
Bit 6	R	TIUI[7]	X
Bit 5	R	TIUI[6]	X
Bit 4	R	TIUI[5]	X
Bit 3	R	TIUI[4]	X
Bit 2	R	TIUI[3]	X
Bit 1	R	TIUI[2]	X
Bit 0	R	TIUI[1]	X

The Trace Unstable Interrupt Status Register is provided at RTTP read/write address 00C4H, 04C4H, 08C4H, and 0CC4H.

TIUI[12:1]

The trace identifier unstable interrupt status (TIUI[12:1]) bits are event indicators for STS-1/STM-0 paths #1 to #12. TIUI[12:1] are set to logic 1 to indicate any changes in the status of TIUV[12:1] (stable to unstable, unstable to stable). These interrupt status bits are independent of the interrupt enable bits. TIUI[12:1] are cleared to logic 0 when this register is read.

Register 00C5H, 04C5H, 08C5H, and 0CC5H: RTTP PATH Trace Mismatch Status

Bit	Type	Function	Default
Bit 15	—	Unused	X
Bit 14	—	Unused	X
Bit 13	—	Unused	X
Bit 12	—	Unused	X
Bit 11	R	TIMV[12]	X
Bit 10	R	TIMV[11]	X
Bit 9	R	TIMV[10]	X
Bit 8	R	TIMV[9]	X
Bit 7	R	TIMV[8]	X
Bit 6	R	TIMV[7]	X
Bit 5	R	TIMV[6]	X
Bit 4	R	TIMV[5]	X
Bit 3	R	TIMV[4]	X
Bit 2	R	TIMV[3]	X
Bit 1	R	TIMV[2]	X
Bit 0	R	TIMV[1]	X

The Trace Mismatch Status Register is provided at RTTP read/write address 00C5H, 04C5H, 08C5H, and 0CC5H.

TIMV[12:1]

The trace identifier mismatch status (TIMV[12:1]) bit indicates the current status of the TIM defects for STS-1/STM-0 paths #1 to #12.

Algorithm 1: TIMV is set to logic 1 when none of the last 20 messages matches the expected message. TIMV is set to logic 0 when 16 of the last 20 messages match the expected message.

Algorithm 2: TIMV is set to logic 1 when the accepted message does not match the expected message. TIMV is set to logic 0 when the accepted message matches the expected message.

Algorithm 3: TIMV is set to logic 0.

Register 00C6H, 04C6H, 08C6H, and 0CC6H: RTTP PATH Trace Mismatch Interrupt Enable

Bit	Type	Function	Default
Bit 15	—	Unused	X
Bit 14	—	Unused	X
Bit 13	—	Unused	X
Bit 12	—	Unused	X
Bit 11	R/W	TIME[12]	0
Bit 10	R/W	TIME[11]	0
Bit 9	R/W	TIME[10]	0
Bit 8	R/W	TIME[9]	0
Bit 7	R/W	TIME[8]	0
Bit 6	R/W	TIME[7]	0
Bit 5	R/W	TIME[6]	0
Bit 4	R/W	TIME[5]	0
Bit 3	R/W	TIME[4]	0
Bit 2	R/W	TIME[3]	0
Bit 1	R/W	TIME[2]	0
Bit 0	R/W	TIME[1]	0

The Trace Mismatch Interrupt Enable Register is provided at RTTP read/write address 00C6H, 04C6H, 08C6H, and 0CC6H.

TIME[12:1]

The trace identifier mismatch interrupt enable (TIME[12:1]) bits control the activation of the interrupt output for STS-1/STM-0 paths #1 to #12. When any of these bit locations is set to logic 1, the corresponding pending interrupt will assert the interrupt output. When any of these bit locations is set to logic 0, the corresponding pending interrupt will not assert the interrupt output.

Register 00C7H, 04C7H, 08C7H, and 0CC7H: RTTP PATH Trace Mismatch Interrupt Status

Bit	Type	Function	Default
Bit 15	—	Unused	X
Bit 14	—	Unused	X
Bit 13	—	Unused	X
Bit 12	—	Unused	X
Bit 11	R	TIMI[12]	X
Bit 10	R	TIMI[11]	X
Bit 9	R	TIMI[10]	X
Bit 8	R	TIMI[9]	X
Bit 7	R	TIMI[8]	X
Bit 6	R	TIMI[7]	X
Bit 5	R	TIMI[6]	X
Bit 4	R	TIMI[5]	X
Bit 3	R	TIMI[4]	X
Bit 2	R	TIMI[3]	X
Bit 1	R	TIMI[2]	X
Bit 0	R	TIMI[1]	X

The Trace Mismatch Interrupt Status Register is provided at RTTP read/write address 00C7H, 04C7H, 08C7H, and 0CC7H.

TIMI[12:1]

The trace identifier mismatch interrupt status (TIMI[12:1]) bits are event indicators for STS-1/STM-0 paths #1 to #12. TIMI[12:1] are set to logic 1 to indicate any changes in the status of TIMV[12:1] (match to mismatch, mismatch to match). These interrupt status bits are independent of the interrupt enable bits. TIMI[12:1] are cleared to logic 0 when this register is read.

Indirect Register 00H: RTTP PATH Trace Configuration

Bit	Type	Function	Default
Bit 15	—	Unused	X
Bit 14	—	Unused	X
Bit 13	—	Unused	X
Bit 12	—	Unused	X
Bit 11	—	Unused	X
Bit 10	—	Unused	X
Bit 9	—	Unused	X
Bit 8	—	Unused	X
Bit 7	—	Unused	X
Bit 6	R/W	SYNCCRLF	0
Bit 5	R/W	ZEROEN	0
Bit 4	R/W	PER5	0
Bit 3	R/W	NOSYNC	0
Bit 2	R/W	LENGTH16	0
Bit 1	R/W	ALGO[1]	0
Bit 0	R/W	ALGO[0]	0

The Trace Configuration Indirect Register is provided at RTTP read/write indirect address 00H.

ALGO[1:0]

The trail trace algorithm select (ALGO[1:0]) bits select the algorithm used to process the trail trace message.

ALGO[1:0]	Trail Trace Algorithm
00	Algorithm disabled
01	Algorithm 1
10	Algorithm 2
11	Algorithm 3

When ALGO[1:0] is set to logic 00b, the trail trace algorithms are disabled. The corresponding TIUV, TIMV register bits and the corresponding TIU, TIM output signal time slots are set to logic 0.

LENGTH16

The message length (LENGTH16) bit selects the length of the trail trace message used by algorithm 1 and algorithm 2. When LENGTH16 is set to logic 1, the length of the trail trace message is 16 bytes. When LENGTH16 is set to logic 0, the length of the trail trace message is 64 bytes.

NOSYNC

The synchronization disable (NOSYNC) bit disables the synchronization of the trail trace message in algorithm 1 and algorithm 2. When NOSYNC is set to logic 1, no synchronization is done on the trail trace message. The bytes of the trail trace message are written in the captured page as in a circular buffer. When NOSYNC is set to logic 0, synchronization is done on the trail trace message. See SYNCCTRL to determine how synchronization is handled when NOSYNC = 0.

PER5

The message persistency (PER5) bit selects the number of multi-frames a trail trace message must receive in order to be declared persistent in algorithm 2. When PER5 is set to logic 1, the same trail trace message must be received for 5 consecutive multi-frames to be declared persistent. When PER5 is set to logic 0, the same trail trace message must be received for 3 consecutive multi-frames to be declared persistent.

ZEROEN

The all zero message enable (ZEROEN) bit selects if the all zero messages are validated or not against the expected message in algorithm 1 and algorithm 2. When ZEROEN is set to logic 1, an all zero captured message in algorithm 1 and an all zero accepted message in algorithm 2 are validated against the expected message. A match is declared when both the captured/accepted message and the expected message are all zero. When ZEROEN is set to logic 0, an all zero captured message in algorithm 1 and an all zero accepted message in algorithm 2 are not validated against the expected message but are considered match. A match is declared when the captured/accepted message is all zero regardless of the expected message.

SYNCCRLF

The synchronization on CR/LF characters (SYNCCRLF) bit selects if the current algorithm (except algo3) synchronizes on the CR/LF ASCII characters or on the byte with its MSB set high. When SYNCCRLF is set to logic 1, the current algorithm synchronizes when it receives the ASCII character "CR" (carriage return) followed by "LF" (line feed) and the current active byte becomes the last byte of the message. When SYNCCRLF is set to 0, the current algorithm synchronizes when receiving a byte with its MSB set to logic 1. The current active byte then becomes the first byte of the message.

Indirect Register 40H to 7FH: RTTP PATH Captured Trace

Bit	Type	Function	Default
Bit 15	—	Unused	X
Bit 14	—	Unused	X
Bit 13	—	Unused	X
Bit 12	—	Unused	X
Bit 11	—	Unused	X
Bit 10	—	Unused	X
Bit 9	—	Unused	X
Bit 8	—	Unused	X
Bit 7	R	CTRACE[7]	X
Bit 6	R	CTRACE[6]	X
Bit 5	R	CTRACE[5]	X
Bit 4	R	CTRACE[4]	X
Bit 3	R	CTRACE[3]	X
Bit 2	R	CTRACE[2]	X
Bit 1	R	CTRACE[1]	X
Bit 0	R	CTRACE[0]	X

The Captured Trace Indirect Register is provided at RTTP read/write indirect address 40H to 7FH.

CTRACE[7:0]

The captured trail trace message (CTRACE[7:0]) bits contain the currently received trail trace message. When algorithm 1 or 2 is selected and LENGTH16 is set to logic 1, the captured message is stored between address 40h and 4Fh. When algorithm 1 or 2 is selected and LENGTH16 is set to logic 0, the captured message is stored between address 40h and 7Fh. When NOSYNC is set to logic 1, the captured message is not synchronized. When NOSYNC is set to logic 0, the captured message is synchronized and the first byte of the message is stored at address 40h. When algorithm 3 is selected, the captured byte is stored at address 40h.

Indirect Register 80H to BFH: RTTP PATH Accepted Trace

Bit	Type	Function	Default
Bit 15	—	Unused	X
Bit 14	—	Unused	X
Bit 13	—	Unused	X
Bit 12	—	Unused	X
Bit 11	—	Unused	X
Bit 10	—	Unused	X
Bit 9	—	Unused	X
Bit 8	—	Unused	X
Bit 7	R	ATRACE[7]	X
Bit 6	R	ATRACE[6]	X
Bit 5	R	ATRACE[5]	X
Bit 4	R	ATRACE[4]	X
Bit 3	R	ATRACE[3]	X
Bit 2	R	ATRACE[2]	X
Bit 1	R	ATRACE[1]	X
Bit 0	R	ATRACE[0]	X

The Accepted Trace Indirect Register is provided at RTTP read/write indirect address 80H to BFH.

ATRACE[7:0]

The accepted trail trace message (ATRACE[7:0]) bits contain the persistent trail trace message. When algorithm 1 is selected, the accepted message will not be updated. When algorithm 2 is selected and PER5 is set to logic 1, the accepted message is the same trail trace message received for 5 consecutive multi-frames. When algorithm 2 is selected and PER5 is set to logic 0, the accepted message is the same trail trace message received for 3 consecutive multi-frames. When algorithm 2 is selected and LENGTH16 is set to logic 1, the accepted message is stored between address 80h and 8Fh. When algorithm 2 is selected and LENGTH16 is set to logic 0, the accepted message is stored between address 80h and BFh. When algorithm 3 is selected, the accepted byte is the same trail trace byte received for 48 frames. When algorithm 3 is selected, the accepted byte is stored at address 80h.

Indirect Register C0H to FFH: RTTP PATH Expected Trace

Bit	Type	Function	Default
Bit 15	—	Unused	X
Bit 14	—	Unused	X
Bit 13	—	Unused	X
Bit 12	—	Unused	X
Bit 11	—	Unused	X
Bit 10	—	Unused	X
Bit 9	—	Unused	X
Bit 8	—	Unused	X
Bit 7	R/W	ETRACE[7]	X
Bit 6	R/W	ETRACE[6]	X
Bit 5	R/W	ETRACE[5]	X
Bit 4	R/W	ETRACE[4]	X
Bit 3	R/W	ETRACE[3]	X
Bit 2	R/W	ETRACE[2]	X
Bit 1	R/W	ETRACE[1]	X
Bit 0	R/W	ETRACE[0]	X

The Expected Trace Indirect Register is provided at RTTP read/write indirect address C0H to FFH.

ETRACE[7:0]

The expected trail trace message (ETRACE[7:0]) bits contain a static message written by an external microprocessor. In algorithm 1 the expected message is used to validate the captured message. In algorithm 2 the expected message is used to validate the accepted message. When LENGTH16 is set to logic 1, the expected message must be written between address C0h and CFh. When LENGTH16 is set to logic 0, the accepted message must be written between address C0h and FFh.

Register 00E0H, 04E0H, 08E0H and 0CE0H: RTTP PATH TU3 Indirect Address

Bit	Type	Function	Default
Bit 15	R	BUSY	X
Bit 14	R/W	RWB	0
Bit 13	R/W	IADDR[7]	0
Bit 12	R/W	IADDR[6]	0
Bit 11	R/W	IADDR[5]	0
Bit 10	R/W	IADDR[4]	0
Bit 9	R/W	IADDR[3]	0
Bit 8	R/W	IADDR[2]	0
Bit 7	R/W	IADDR[1]	0
Bit 6	R/W	IADDR[0]	0
Bit 5	—	Unused	X
Bit 4	—	Unused	X
Bit 3	R/W	PATH[3]	0
Bit 2	R/W	PATH[2]	0
Bit 1	R/W	PATH[1]	0
Bit 0	R/W	PATH[0]	0

The Indirect Address Register is provided at RTTP read/write address 00E0H, 04E0H, 08E0H, and 0CE0H.

PATH[3:0]

The STS-1/STM-0 path (PATH[3:0]) bits select which STS-1/STM-0 path is accessed by the current indirect transfer. When the RTTP monitors path trace messages, paths #1 to #12 are valid.

PATH[3:0]	STS-1/STM-0 path #
0000	Invalid path
0001-1100	Path #1 to Path #12
1101-1111	Invalid path

IADDR[7:0]

The indirect address location (IADDR[7:0]) bits select which indirect address location is accessed by the current indirect transfer.

Indirect Address IADDR[7:0]	Indirect Data
0000 0000	Configuration
0000 0001 to 0011 1111	Invalid address
0100 0000	First byte of the 1/16/64 byte captured trace
0100 0001 to	Other bytes of the 16/64 byte captured trace

Indirect Address IADDR[7:0]	Indirect Data
0111 1111	
1000 0000	First byte of the 1/16/64 byte accepted trace
1000 0001 to 1011 1111	Other bytes of the 16/64 byte accepted trace
1100 0000	First byte of the 16/64 byte expected trace
1100 0001 to 1111 1111	Other bytes of the 16/64 byte expected trace

RWB

The active high read and active low write (RWB) bit selects if the current access to the internal RAM is an indirect read or an indirect write. Writing to the Indirect Address Register initiates an access to the internal RAM. When RWB is set to logic 1, an indirect read access to the RAM is initiated. The data from the addressed location in the internal RAM will be transferred to the Indirect Data Register. When RWB is set to logic 0, an indirect write access to the RAM is initiated. The data from the Indirect Data Register will be transferred to the addressed location in the internal RAM.

BUSY

The active high RAM busy (BUSY) bit reports if a previously initiated indirect access to the internal RAM has been completed. BUSY is set to logic 1 upon writing to the Indirect Address Register. BUSY is set to logic 0, upon completion of the RAM access. This register should be polled to determine when new data is available in the Indirect Data Register. Note: The maximum busy bit set time is 22 clock receive/transmit cycles.

Register 00E1H, 04E1H, 08E1H, and 0CE1H: RTTP PATH TU3 Indirect Data

Bit	Type	Function	Default
Bit 15	R/W	DATA[15]	0
Bit 14	R/W	DATA[14]	0
Bit 13	R/W	DATA[13]	0
Bit 12	R/W	DATA[12]	0
Bit 11	R/W	DATA[11]	0
Bit 10	R/W	DATA[10]	0
Bit 9	R/W	DATA[9]	0
Bit 8	R/W	DATA[8]	0
Bit 7	R/W	DATA[7]	0
Bit 6	R/W	DATA[6]	0
Bit 5	R/W	DATA[5]	0
Bit 4	R/W	DATA[4]	0
Bit 3	R/W	DATA[3]	0
Bit 2	R/W	DATA[2]	0
Bit 1	R/W	DATA[1]	0
Bit 0	R/W	DATA[0]	0

The Indirect Data Register is provided at RTTP read/write address 00E1H, 04E1H, 08E1H, and 0CE1H.

DATA[15:0]

The indirect access data (DATA[15:0]) bits hold the data transfer to or from the internal RAM during indirect access. When RWB is set to logic 1 (indirect read), the data from the addressed location in the internal RAM will be transfer to DATA[15:0]. BUSY should be polled to determine when the new data is available in DATA[15:0]. When RWB is set to logic 0 (indirect write), the data from DATA[15:0] will be transferred to the addressed location in the internal RAM. The indirect Data register must contain valid data before the indirect write is initiated by writing to the Indirect Address Register.

DATA[15:0] has a different meaning depending on which address of the internal RAM is being accessed.

Register 00E2H, 04E2H, 08E2H, and 0CE2H: RTTP PATH TU3 Trace Unstable Status

Bit	Type	Function	Default
Bit 15	—	Unused	X
Bit 14	—	Unused	X
Bit 13	—	Unused	X
Bit 12	—	Unused	X
Bit 11	R	TIUV[12]	X
Bit 10	R	TIUV[11]	X
Bit 9	R	TIUV[10]	X
Bit 8	R	TIUV[9]	X
Bit 7	R	TIUV[8]	X
Bit 6	R	TIUV[7]	X
Bit 5	R	TIUV[6]	X
Bit 4	R	TIUV[5]	X
Bit 3	R	TIUV[4]	X
Bit 2	R	TIUV[3]	X
Bit 1	R	TIUV[2]	X
Bit 0	R	TIUV[1]	X

The Trace Unstable Status Register is provided at RTTP read/write address 00E2H, 04E2H, 08E2H, and 0CE2H.

TIUV[12:1]

The trace identifier unstable status (TIUV[12:1]) bits indicate the current status of the TIU defects for STS-1/STM-0 paths #1 to #12.

Algorithm 1: TIUV is set to logic 0.

Algorithm 2: TIUV is set to logic 1 when one or more erroneous bytes are detected between the current message and the previous message in a total of 8 trail trace messages without any persistent message in between. TIUV is set to logic 0 when a persistent message is found. A persistent message is found when the same message is receive for 3 or 5 consecutive multi-frames.

Algorithm 3: TIUV is set to logic 1 when one or more erroneous bytes are detected in three consecutive sixteen byte windows. The first window starts on the first erroneous trail trace byte. TIUV is set to logic 0 when the same trail trace byte is received for 48 consecutive frames.

Register 00E3H, 04E3H, 08E3H, and 0CE3H: RTTP PATH TU3 Trace Unstable Interrupt Enable

Bit	Type	Function	Default
Bit 15	—	Unused	X
Bit 14	—	Unused	X
Bit 13	—	Unused	X
Bit 12	—	Unused	X
Bit 11	R/W	TIUE[12]	0
Bit 10	R/W	TIUE[11]	0
Bit 9	R/W	TIUE[10]	0
Bit 8	R/W	TIUE[9]	0
Bit 7	R/W	TIUE[8]	0
Bit 6	R/W	TIUE[7]	0
Bit 5	R/W	TIUE[6]	0
Bit 4	R/W	TIUE[5]	0
Bit 3	R/W	TIUE[4]	0
Bit 2	R/W	TIUE[3]	0
Bit 1	R/W	TIUE[2]	0
Bit 0	R/W	TIUE[1]	0

The Trace Unstable Interrupt Enable Register is provided at RTTP read/write address 00E3H, 04E3H, 08E3H, and 0CE3H.

TIUE[12:1]

The trace identifier unstable interrupt enable (TIUE[12:1]) bits control the activation of the interrupt output for STS-1/STM-0 paths #1 to #12. When any of these bit locations is set to logic 1, the corresponding pending interrupt will assert the interrupt output. When any of these bit locations is set to logic 0, the corresponding pending interrupt will not assert the interrupt output.

Register 00E4H, 04E4H, 08E4H, and 0CE4H: RTTP PATH TU3 Trace Unstable Interrupt Status

Bit	Type	Function	Default
Bit 15	—	Unused	X
Bit 14	—	Unused	X
Bit 13	—	Unused	X
Bit 12	—	Unused	X
Bit 11	R	TIUI[12]	X
Bit 10	R	TIUI[11]	X
Bit 9	R	TIUI[10]	X
Bit 8	R	TIUI[9]	X
Bit 7	R	TIUI[8]	X
Bit 6	R	TIUI[7]	X
Bit 5	R	TIUI[6]	X
Bit 4	R	TIUI[5]	X
Bit 3	R	TIUI[4]	X
Bit 2	R	TIUI[3]	X
Bit 1	R	TIUI[2]	X
Bit 0	R	TIUI[1]	X

The Trace Unstable Interrupt Status Register is provided at RTTP read/write address 00E4H, 04E4H, 08E4H, and 0CE4H.

TIUI[12:1]

The trace identifier unstable interrupt status (TIUI[12:1]) bits are event indicators for STS-1/STM-0 paths #1 to #12. TIUI[12:1] are set to logic 1 to indicate any changes in the status of TIUV[12:1] (stable to unstable, unstable to stable). These interrupt status bits are independent of the interrupt enable bits. TIUI[12:1] are cleared to logic 0 when this register is read.

Register 00E5H, 04E5H, 08E5H, and 0CE5H: RTTP PATH TU3 Trace Mismatch Status

Bit	Type	Function	Default
Bit 15	—	Unused	X
Bit 14	—	Unused	X
Bit 13	—	Unused	X
Bit 12	—	Unused	X
Bit 11	R	TIMV[12]	X
Bit 10	R	TIMV[11]	X
Bit 9	R	TIMV[10]	X
Bit 8	R	TIMV[9]	X
Bit 7	R	TIMV[8]	X
Bit 6	R	TIMV[7]	X
Bit 5	R	TIMV[6]	X
Bit 4	R	TIMV[5]	X
Bit 3	R	TIMV[4]	X
Bit 2	R	TIMV[3]	X
Bit 1	R	TIMV[2]	X
Bit 0	R	TIMV[1]	X

The Trace Mismatch Status Register is provided at RTTP read/write address 00E5H, 04E5H, 08E5H, and 0CE5H.

TIMV[12:1]

The trace identifier mismatch status (TIMV[12:1]) bit indicates the current status of the TIM defects for STS-1/STM-0 paths #1 to #12.

Algorithm 1: TIMV is set to logic 1 when none of the last 20 messages matches the expected message. TIMV is set to logic 0 when 16 of the last 20 messages match the expected message.

Algorithm 2: TIMV is set to logic 1 when the accepted message does not match the expected message. TIMV is set to logic 0 when the accepted message matches the expected message.

Algorithm 3: TIMV is set to logic 0.

Register 00E6H, 04E6H, 08E6H, and 0CE6H: RTTP PATH TU3 Trace Mismatch Interrupt Enable

Bit	Type	Function	Default
Bit 15	—	Unused	X
Bit 14	—	Unused	X
Bit 13	—	Unused	X
Bit 12	—	Unused	X
Bit 11	R/W	TIME[12]	0
Bit 10	R/W	TIME[11]	0
Bit 9	R/W	TIME[10]	0
Bit 8	R/W	TIME[9]	0
Bit 7	R/W	TIME[8]	0
Bit 6	R/W	TIME[7]	0
Bit 5	R/W	TIME[6]	0
Bit 4	R/W	TIME[5]	0
Bit 3	R/W	TIME[4]	0
Bit 2	R/W	TIME[3]	0
Bit 1	R/W	TIME[2]	0
Bit 0	R/W	TIME[1]	0

The Trace Mismatch Interrupt Enable Register is provided at RTTP read/write address 00E6H, 04E6H, 08E6H, and 0CE6H.

TIME[12:1]

The trace identifier mismatch interrupt enable (TIME[12:1]) bits control the activation of the interrupt output for STS-1/STM-0 paths #1 to #12. When any of these bit locations is set to logic 1, the corresponding pending interrupt will assert the interrupt output. When any of these bit locations is set to logic 0, the corresponding pending interrupt will not assert the interrupt output.

Register 00E7H, 04E7H, 08E7H, and 0CE7H: RTTP PATH TU3 Trace Mismatch Interrupt Status

Bit	Type	Function	Default
Bit 15	—	Unused	X
Bit 14	—	Unused	X
Bit 13	—	Unused	X
Bit 12	—	Unused	X
Bit 11	R	TIMI[12]	X
Bit 10	R	TIMI[11]	X
Bit 9	R	TIMI[10]	X
Bit 8	R	TIMI[9]	X
Bit 7	R	TIMI[8]	X
Bit 6	R	TIMI[7]	X
Bit 5	R	TIMI[6]	X
Bit 4	R	TIMI[5]	X
Bit 3	R	TIMI[4]	X
Bit 2	R	TIMI[3]	X
Bit 1	R	TIMI[2]	X
Bit 0	R	TIMI[1]	X

The Trace Mismatch Interrupt Status Register is provided at RTTP read/write address 00E7H, 04E7H, 08E7H, and 0CE7H.

TIMI[12:1]

The trace identifier mismatch interrupt status (TIMI[12:1]) bits are event indicators for STS-1/STM-0 paths #1 to #12. TIMI[12:1] are set to logic 1 to indicate any changes in the status of TIMV[12:1] (match to mismatch, mismatch to match). These interrupt status bits are independent of the interrupt enable bits. TIMI[12:1] are cleared to logic 0 when this register is read.

Indirect Register 00H: RTTP PATH TU3 Trace Configuration

Bit	Type	Function	Default
Bit 15	—	Unused	X
Bit 14	—	Unused	X
Bit 13	—	Unused	X
Bit 12	—	Unused	X
Bit 11	—	Unused	X
Bit 10	—	Unused	X
Bit 9	—	Unused	X
Bit 8	—	Unused	X
Bit 7	—	Unused	X
Bit 6	R/W	SYNCCRLF	0
Bit 5	R/W	ZEROEN	0
Bit 4	R/W	PER5	0
Bit 3	R/W	NOSYNC	0
Bit 2	R/W	LENGTH16	0
Bit 1	R/W	ALGO[1]	0
Bit 0	R/W	ALGO[0]	0

The Trace Configuration Indirect Register is provided at RTTP read/write indirect address 00H.

ALGO[1:0]

The trail trace algorithm select (ALGO[1:0]) bits select the algorithm used to process the trail trace message.

ALGO[1:0]	Trail Trace Algorithm
00	Algorithm disable
01	Algorithm 1
10	Algorithm 2
11	Algorithm 3

When ALGO[1:0] is set to logic 00b, the trail trace algorithms are disabled. The corresponding TIUV, TIMV register bits and the corresponding TIU, TIM output signal time slots are set to logic 0.

LENGTH16

The message length (LENGTH16) bit selects the length of the trail trace message used by algorithm 1 and algorithm 2. When LENGTH16 is set to logic 1, the length of the trail trace message is 16 bytes. When LENGTH16 is set to logic 0, the length of the trail trace message is 64 bytes.

NOSYNC

The synchronization disable (NOSYNC) bit disables the synchronization of the trail trace message in algorithm 1 and algorithm 2. When NOSYNC is set to logic 1, no synchronization is done on the trail trace message. The bytes of the trail trace message are written in the captured page as in a circular buffer. When NOSYNC is set to logic 0, synchronization is done on the trail trace message. See SYNC_CRLF to determine how synchronization is handled when NOSYNC = 0.

PER5

The message persistency (PER5) bit selects the number of multi-frames a trail trace message must receive in order to be declared persistent in algorithm 2. When PER5 is set to logic 1, the same trail trace message must be received for 5 consecutive multi-frames to be declared persistent. When PER5 is set to logic 0, the same trail trace message must be received for 3 consecutive multi-frames to be declared persistent.

ZEROEN

The all zero message enable (ZEROEN) bit selects if the all zero messages are validated or not against the expected message in algorithm 1 and algorithm 2. When ZEROEN is set to logic 1, an all zero captured message in algorithm 1 and an all zero accepted message in algorithm 2 are validated against the expected message. A match is declared when both the captured/accepted message and the expected message are all zero. When ZEROEN is set to logic 0, an all zero captured message in algorithm 1 and an all zero accepted message in algorithm 2 are not validated against the expected message but are considered match. A match is declared when the captured/accepted message is all zero regardless of the expected message.

SYNCCRLF

The synchronization on CR/LF characters (SYNCCRLF) bit selects if the current algorithm (except algo3) synchronizes on the CR/LF ASCII characters or on the byte with its MSB set high. When SYNCCRLF is set to logic 1, the current algorithm synchronizes when it receives the ASCII character "CR" (carriage return) followed by "LF" (line feed) and the current active byte becomes the last byte of the message. When SYNCCRLF is set to 0, the current algorithm synchronizes when receiving a byte with its MSB set to logic 1. The current active byte then becomes the first byte of the message.

Indirect Register 40H to 7FH: RTTP PATH TU3 Captured Trace

Bit	Type	Function	Default
Bit 15	—	Unused	X
Bit 14	—	Unused	X
Bit 13	—	Unused	X
Bit 12	—	Unused	X
Bit 11	—	Unused	X
Bit 10	—	Unused	X
Bit 9	—	Unused	X
Bit 8	—	Unused	X
Bit 7	R	CTRACE[7]	X
Bit 6	R	CTRACE[6]	X
Bit 5	R	CTRACE[5]	X
Bit 4	R	CTRACE[4]	X
Bit 3	R	CTRACE[3]	X
Bit 2	R	CTRACE[2]	X
Bit 1	R	CTRACE[1]	X
Bit 0	R	CTRACE[0]	X

The Captured Trace Indirect Register is provided at RTTP read/write indirect address 40H to 7FH.

CTRACE[7:0]

The captured trail trace message (CTRACE[7:0]) bits contain the currently received trail trace message. When algorithm 1 or 2 is selected and LENGTH16 is set to logic 1, the captured message is stored between address 40h and 4Fh. When algorithm 1 or 2 is selected and LENGTH16 is set to logic 0, the captured message is stored between address 40h and 7Fh. When NOSYNC is set to logic 1, the captured message is not synchronized. When NOSYNC is set to logic 0, the captured message is synchronized and the first byte of the message is stored at address 40h. When algorithm 3 is selected, the captured byte is stored at address 40h.

Indirect Register 80H to BFH: RTTP PATH TU3 Accepted Trace

Bit	Type	Function	Default
Bit 15	—	Unused	X
Bit 14	—	Unused	X
Bit 13	—	Unused	X
Bit 12	—	Unused	X
Bit 11	—	Unused	X
Bit 10	—	Unused	X
Bit 9	—	Unused	X
Bit 8	—	Unused	X
Bit 7	R/W	ATRACE[7]	X
Bit 6	R/W	ATRACE[6]	X
Bit 5	R/W	ATRACE[5]	X
Bit 4	R/W	ATRACE[4]	X
Bit 3	R/W	ATRACE[3]	X
Bit 2	R/W	ATRACE[2]	X
Bit 1	R/W	ATRACE[1]	X
Bit 0	R/W	ATRACE[0]	X

The Accepted Trace Indirect Register is provided at RTTP read/write indirect address 80H to BFH.

ATRACE[7:0]

The accepted trail trace message (ATRACE[7:0]) bits contain the persistent trail trace message. When algorithm 1 is selected, the accepted message will not be updated. When algorithm 2 is selected and PER5 is set to logic 1, the accepted message is the same trail trace message received for 5 consecutive multi-frames. When algorithm 2 is selected and PER5 is set to logic 0, the accepted message is the same trail trace message received for 3 consecutive multi-frames. When algorithm 2 is selected and LENGTH16 is set to logic 1, the accepted message is stored between address 80h and 8Fh. When algorithm 2 is selected and LENGTH16 is set to logic 0, the accepted message is stored between address 80h and BFh. When algorithm 3 is selected, the accepted byte is the same trail trace byte received for 48 frames. When algorithm 3 is selected, the accepted byte is stored at address 80h.

Indirect Register C0H to FFH: RTTP PATH TU3 Expected Trace

Bit	Type	Function	Default
Bit 15	—	Unused	X
Bit 14	—	Unused	X
Bit 13	—	Unused	X
Bit 12	—	Unused	X
Bit 11	—	Unused	X
Bit 10	—	Unused	X
Bit 9	—	Unused	X
Bit 8	—	Unused	X
Bit 7	R/W	ETRACE[7]	X
Bit 6	R/W	ETRACE[6]	X
Bit 5	R/W	ETRACE[5]	X
Bit 4	R/W	ETRACE[4]	X
Bit 3	R/W	ETRACE[3]	X
Bit 2	R/W	ETRACE[2]	X
Bit 1	R/W	ETRACE[1]	X
Bit 0	R/W	ETRACE[0]	X

The Expected Trace Indirect Register is provided at RTTP read/write indirect address C0H to FFH.

ETRACE[7:0]

The expected trail trace message (ETRACE[7:0]) bits contain a static message written by an external microprocessor. In algorithm 1 the expected message is used to validate the captured message. In algorithm 2 the expected message is used to validate the accepted message. When LENGTH16 is set to logic 1, the expected message must be written between address C0h and CFh. When LENGTH16 is set to logic 0, the accepted message must be written between address C0h and FFh.

Register 0100H, 0500H, 0900H, and 0D00H: RHPP Indirect Address

Bit	Type	Function	Default
Bit 15	R	BUSY	X
Bit 14	R/W	RWB	0
Bit 13	—	Unused	X
Bit 12	—	Unused	X
Bit 11	—	Unused	X
Bit 10	—	Unused	X
Bit 9	R/W	IADDR[3]	0
Bit 8	R/W	IADDR[2]	0
Bit 7	R/W	IADDR[1]	0
Bit 6	R/W	IADDR[0]	0
Bit 5	—	Unused	X
Bit 4	—	Unused	X
Bit 3	R/W	PATH[3]	0
Bit 2	R/W	PATH[2]	0
Bit 1	R/W	PATH[1]	0
Bit 0	R/W	PATH[0]	0

The Indirect Address Register is provided at RHPP read/write address 0100H, 0500H, 0900H, and 0D00H.

PATH[3:0]

The STS-1/STM-0 path (PATH[3:0]) bits select which STS-1/STM-0 path is accessed by the current indirect transfer.

PATH[3:0]	STS-1/STM-0 path #
0000	Invalid path
0001-1100	Path #1 to Path #12
1101-1111	Invalid path

IADDR[3:0]

The indirect address location (IADDR[3:0]) bits select which address location is accessed by the current indirect transfer.

Indirect Address IADDR[3:0]	Indirect Data
0000	Pointer Interpreter Configuration
0001	Error Monitor Configuration
0010	Pointer Value and ERDI
0011	Captured and Accepted PSL
0100	Expected PSL and PDI
0101	RHPP Pointer Interpreter status

Indirect Address IADDR[3:0]	Indirect Data
0110	RHPP Path BIP Error Counter
0111	RHPP Path REI Error Counter
1000	RHPP Path Negative Justification Event Counter
1001	RHPP Path Positive Justification Event Counter
1010 to 1111	Unused

RWB

The active high read and active low write (RWB) bit selects if the current access to the internal RAM is an indirect read or an indirect write. Writing to the Indirect Address Register initiates an access to the internal RAM. When RWB is set to logic 1, an indirect read access to the RAM is initiated. The data from the addressed location in the internal RAM will be transferred to the Indirect Data Register. When RWB is set to logic 0, an indirect write access to the RAM is initiated. The data from the Indirect Data Register will be transferred to the addressed location in the internal RAM.

BUSY

The active high RAM busy (BUSY) bit reports if a previously initiated indirect access to the internal RAM has been completed. BUSY is set to logic 1 upon writing to the Indirect Address Register. BUSY is set to logic 0, upon completion of the RAM access. This register should be polled to determine when new data is available in the Indirect Data Register. Note: The maximum busy bit set time is 22 clock receive/transmit cycles.

Register 0101H, 0501H, 0901H, and 0D01H: RHPP Indirect Data

Bit	Type	Function	Default
Bit 15	R/W	DATA[15]	0
Bit 14	R/W	DATA[14]	0
Bit 13	R/W	DATA[13]	0
Bit 12	R/W	DATA[12]	0
Bit 11	R/W	DATA[11]	0
Bit 10	R/W	DATA[10]	0
Bit 9	R/W	DATA[9]	0
Bit 8	R/W	DATA[8]	0
Bit 7	R/W	DATA[7]	0
Bit 6	R/W	DATA[6]	0
Bit 5	R/W	DATA[5]	0
Bit 4	R/W	DATA[4]	0
Bit 3	R/W	DATA[3]	0
Bit 2	R/W	DATA[2]	0
Bit 1	R/W	DATA[1]	0
Bit 0	R/W	DATA[0]	0

The Indirect Data Register is provided at RHPP read/write address 0101H, 0501H, 0901H, and 0D01H.

DATA[15:0]

The indirect access data (DATA[15:0]) bits hold the data transfer to or from the internal RAM during indirect access. When RWB is set to logic 1 (indirect read), the data from the addressed location in the internal RAM will be transferred to DATA[15:0]. BUSY should be polled to determine when the new data is available in DATA[15:0]. When RWB is set to logic 0 (indirect write), the data from DATA[15:0] will be transferred to the addressed location in the internal RAM. The indirect Data register must contain valid data before the indirect write is initiated by writing to the Indirect Address Register.

DATA[15:0] has a different meaning depending on which address of the internal RAM is being accessed.

Register 0102H, 0502H, 0902H, and 0D02H: RHPP Payload Configuration

Bit	Type	Function	Default
Bit 15	R/W	STS12CSL	0
Bit 14	R/W	STS12C	0
Bit 13	R/W	Reserved	0
Bit 12	—	Unused	X
Bit 11	—	Unused	X
Bit 10	—	Unused	X
Bit 9	—	Unused	X
Bit 8	R/W	Reserved	0
Bit 7	R/W	Reserved	0
Bit 6	R/W	Reserved	0
Bit 5	R/W	Reserved	0
Bit 4	R/W	Reserved	0
Bit 3	R/W	STS3C[4]	0
Bit 2	R/W	STS3C[3]	0
Bit 1	R/W	STS3C[2]	0
Bit 0	R/W	STS3C[1]	0

The Payload Configuration Register is provided at RHPP read/write address 0102H, 0502H, 0902H, and 0D02H.

STS3C[1]

The STS-3c (VC-4) payload configuration (STS3C[1]) bit selects the payload configuration. When STS3C[1] is set to logic 1, the STS-1/STM-0 paths #1, #5 and #9 are part of an STS-3c (VC-4) payload. When STS3C[1] is set to logic 0, the paths are STS-1 (VC-3) payloads. When STS12C is set to logic 1, STS3C[1] must be set to logic 0.

STS3C[2]

The STS-3c (VC-4) payload configuration (STS3C[2]) bit selects the payload configuration. When STS3C[2] is set to logic 1, the STS-1/STM-0 paths #2, #6 and #10 are part of an STS-3c (VC-4) payload. When STS3C[2] is set to logic 0, the paths are STS-1 (VC-3) payloads. When STS12C is set to logic 1, STS3C[2] must be set to logic 0.

STS3C[3]

The STS-3c (VC-4) payload configuration (STS3C[3]) bit selects the payload configuration. When STS3C[3] is set to logic 1, the STS-1/STM-0 paths #3, #7 and #11 are part of an STS-3c (VC-4) payload. When STS3C[3] is set to logic 0, the paths are STS-1 (VC-3) payloads. When STS12C is set to logic 1, STS3C[3] must be set to logic 0.

STS3C[4]

The STS-3c (VC-4) payload configuration (STS3C[4]) bit selects the payload configuration. When STS3C[4] is set to logic 1, the STS-1/STM-0 paths #4, #8 and #12 are part of an STS-3c (VC-4) payload. When STS3C[4] is set to logic 0, the paths are STS-1 (VC-3) payloads. When STS12C is set to logic 1, STS3C[4] must be set to logic 0.

Reserved

The reserved bits must be programmed to their default values for proper operation.

STS12C

The STS-12c (VC-4-4c) payload configuration (STS12C) bit selects the payload configuration. When STS12C is set to logic 1, the STS-1/STM-0 paths #1 to #12 are part of an STS-12c (VC-4-4c) payload. When STS12C is set to logic 0, the STS-1/STM-0 paths are defined with the STS3C[1:4] register bit.

STS12CSL

The slave STS-12c (VC-4-4c) payload configuration (STS12CSL) bit selects the slave payload configuration. When STS12CSL is set to logic 1, the STS-1/STM-0 paths #1 to #12 are part of an STS-12c (VC-4-4c) slave payload. When STS12CSL is set to logic 0, the STS-1/STM-0 paths #1 to #12 are part of an STS-12c (VC-4-4c) master payload. When STS12C is set to logic 0, STS12CSL must be set to logic 0.

Register 0103H, 0503H, 0903H, and 0D03H: RHPP Counter Update

Bit	Type	Function	Default
Bit 15	—	Unused	X
Bit 14	—	Unused	X
Bit 13	—	Unused	X
Bit 12	—	Unused	X
Bit 11	—	Unused	X
Bit 10	—	Unused	X
Bit 9	—	Unused	X
Bit 8	—	Unused	X
Bit 7	—	Unused	X
Bit 6	—	Unused	X
Bit 5	—	Unused	X
Bit 4	—	Unused	X
Bit 3	—	Unused	X
Bit 2	—	Unused	X
Bit 1	—	Unused	X
Bit 0	—	Unused	X

Any write to the RHPP Counters Update Register (0X03H) or to the Master Configuration Register (0000H) will trigger the transfer of all counter values to their holding registers.

Register 0104H, 0504H, 0904H, and 0D04H: RHPP Path Interrupt Status

Bit	Type	Function	Default
Bit 15	—	Unused	X
Bit 14	—	Unused	X
Bit 13	—	Unused	X
Bit 12	—	Unused	X
Bit 11	R	P_INT[12]	X
Bit 10	R	P_INT[11]	X
Bit 9	R	P_INT[10]	X
Bit 8	R	P_INT[9]	X
Bit 7	R	P_INT[8]	X
Bit 6	R	P_INT[7]	X
Bit 5	R	P_INT[6]	X
Bit 4	R	P_INT[5]	X
Bit 3	R	P_INT[4]	X
Bit 2	R	P_INT[3]	X
Bit 1	R	P_INT[2]	X
Bit 0	R	P_INT[1]	X

The RHPP Path Interrupt Status Register is provided at RHPP read address 0104H, 0504H, 0904H, and 0D04H.

P_INT[12:1]

The Path Interrupt Status bit (P_INT[12:11]) tells which path(s) have interrupts that are still active. Reading from this register will not clear any of the interrupts, it is simply added to reduce the average number of accesses required to service interrupts.

Register 0105H, 0505H, 0905H and 0D05H: RHPP Pointer Concatenation Processing Disable

Bit	Type	Function	Default
Bit 15	—	Unused	X
Bit 14	—	Unused	X
Bit 13	—	Unused	X
Bit 12	—	Unused	X
Bit 11	R/W	PTRCDIS[12]	0
Bit 10	R/W	PTRCDIS[11]	0
Bit 9	R/W	PTRCDIS[10]	0
Bit 8	R/W	PTRCDIS[9]	0
Bit 7	R/W	PTRCDIS[8]	0
Bit 6	R/W	PTRCDIS[7]	0
Bit 5	R/W	PTRCDIS[6]	0
Bit 4	R/W	PTRCDIS[5]	0
Bit 3	R/W	PTRCDIS[4]	0
Bit 2	R/W	PTRCDIS[3]	0
Bit 1	R/W	PTRCDIS[2]	0
Bit 0	R/W	PTRCDIS[1]	0

The Pointer Concatenation processing Disable Register is provided at RHPP read/write address 0105H, 0505H, 0905H, and 0D05H.

PTRCDIS[12:1]

The concatenation pointer processing disable (PTRCDIS[12:1]) bits disable the path concatenation pointer interpreter state machine. When PTRCDIS[n] is set to logic 1, the path concatenation pointer interpreter state-machine (for the path n) is disabled and excluded from the LOPC-P, AISC-P and ALLAISC-P defect declaration. When PTRCDIS is set to logic 0, the path concatenation pointer interpreter state-machine is enabled and included in the LOPC-P, AISC-P and ALLAISC-P defect declaration.

Register 0108H, 0508H, 0908H and 0D08H: RHPP Pointer Interpreter Status (STS1/STM0 #1)

Register 0110H, 0510H, 0910H and 0D10H: (STS1/STM0 #2)

Register 0118H, 0518H, 0918H and 0D18H: (STS1/STM0 #3)

Register 0120H, 0520H, 0920H and 0D20H: (STS1/STM0 #4)

Register 0128H, 0528H, 0928H and 0D28H: (STS1/STM0 #5)

Register 0130H, 0530H, 0930H and 0D30H: (STS1/STM0 #6)

Register 0138H, 0538H, 0938H and 0D38H: (STS1/STM0 #7)

Register 0140H, 0540H, 0940H and 0D40H: (STS1/STM0 #8)

Register 0148H, 0548H, 0948H and 0D48H: (STS1/STM0 #9)

Register 0150H, 0550H, 0950H and 0D50H: (STS1/STM0 #10)

Register 0158H, 0558H, 0958H and 0D58H: (STS1/STM0 #11)

Register 0160H, 0560H, 0960H and 0D60H: (STS1/STM0 #12)

Bit	Type	Function	Default
Bit 15	—	Unused	X
Bit 14	—	Unused	X
Bit 13	—	Unused	X
Bit 12	—	Unused	X
Bit 11	—	Unused	X
Bit 10	—	Unused	X
Bit 9	—	Unused	X
Bit 8	—	Unused	X
Bit 7	—	Unused	X
Bit 6	—	Unused	X
Bit 5	R	PAISCV	X
Bit 4	R	PLOPCV	X
Bit 3	R	PAISV	X
Bit 2	R	PLOPV	X
Bit 1	—	Unused	X
Bit 0	—	Unused	X

The Pointer Interpreter Status Register is provided at RHPP read/write address 08H 10H 18H 20H 28H 30H 38H 40H 48H 50H 58H and 60H.

PLOPV

The path lost of pointer state (PLOPV) bit indicates the current status of the pointer interpreter state machine. PLOPV is set to logic 1 when the state machine is in the LOP_state. PLOPV is set to logic 0 when the state machine is not in the LOP_state.

PAISV

The path alarm indication signal state (PAISV) bit indicates the current status of the pointer interpreter state machine. PAISV is set to logic 1 when the state machine is in the AIS_state. PAISV is set to logic 0 when the state machine is not in the AIS_state.

PLOPCV

The path lost of pointer concatenation state (PLOPCV) bit indicates the current status of the concatenation pointer interpreter state machine. PLOPCV is set to logic 1 when the state machine is in the LOPC_state. PLOPCV is set to logic 0 when the state machine is not in the LOPC_state.

PAISCV

The path concatenation alarm indication signal state (PAISCV) bit indicates the current status of the concatenation pointer interpreter state machine. PAISCV is set to logic 1 when the state machine is in the AISC_state. PAISCV is set to logic 0 when the state machine is not in the AISC_state.

Register 0109H, 0509H, 0909H and 0D09H: RHPP Pointer Interpreter Interrupt Enable (STS1/STM0 #1)

Register 0111H, 0511H, 0911H and 0D11H: (STS1/STM0 #2)

Register 0119H, 0519H, 0919H and 0D19H: (STS1/STM0 #3)

Register 0121H, 0521H, 0921H and 0D21H: (STS1/STM0 #4)

Register 0129H, 0529H, 0929H and 0D29H: (STS1/STM0 #5)

Register 0131H, 0531H, 0931H and 0D31H: (STS1/STM0 #6)

Register 0139H, 0539H, 0939H and 0D39H: (STS1/STM0 #7)

Register 0141H, 0541H, 0941H and 0D41H: (STS1/STM0 #8)

Register 0149H, 0549H, 0949H and 0D49H: (STS1/STM0 #9)

Register 0151H, 0551H, 0951H and 0D51H: (STS1/STM0 #10)

Register 0159H, 0559H, 0959H and 0D59H: (STS1/STM0 #11)

Register 0161H, 0561H, 0961H and 0D61H: (STS1/STM0 #12)

Bit	Type	Function	Default
Bit 15	—	Unused	X
Bit 14	—	Unused	X
Bit 13	—	Unused	X
Bit 12	—	Unused	X
Bit 11	—	Unused	X
Bit 10	—	Unused	X
Bit 9	—	Unused	X
Bit 8	—	Unused	X
Bit 7	—	Unused	X
Bit 6	—	Unused	X
Bit 5	R/W	PAISCE	0
Bit 4	R/W	PLOPCE	0
Bit 3	R/W	PAISE	0
Bit 2	R/W	PLOPE	0
Bit 1	—	Unused	X
Bit 0	R/W	PTRJEE	0

The Pointer Interpreter Interrupt Enable Register is provided at RHPP read/write address 09H 11H 19H 21H 29H 31H 39H 41H 49H 51H 59H and 61H.

PTRJEE

The pointer justification event interrupt enable (PTRJEE) bit control the activation of the interrupt output. When PTRJEE is set to logic 1, the NJEI and PJEI pending interrupt will assert the interrupt output. When PTRJEE is set to logic 0, the NJEI and PJEI pending interrupt will not assert the interrupt output.

PLOPE

The path loss of pointer interrupt enable (PLOPE) bit controls the activation of the interrupt output. When PLOPE is set to logic 1, the PLOPI pending interrupt will assert the interrupt output. When PLOPE is set to logic 0, the PLOPI pending interrupt will not assert the interrupt output.

PAISE

The path alarm indication signal interrupt enable (PAISE) bit controls the activation of the interrupt output. When PAISE is set to logic 1, the PAISI pending interrupt will assert the interrupt output. When PAISE is set to logic 0, the PAISI pending interrupt will not assert the interrupt output.

PLOPCE

The path loss of pointer concatenation interrupt enable (PLOPCE) bit controls the activation of the interrupt output. When PLOPCE is set to logic 1, the PLOPCI pending interrupt will assert the interrupt output. When PLOPCE is set to logic 0, the PLOPCI pending interrupt will not assert the interrupt output.

PAISCE

The path concatenation alarm indication signal interrupt enable (PAISCE) bit controls the activation of the interrupt output. When PAISCE is set to logic 1, the PAISCI pending interrupt will assert the interrupt output. When PAISCE is set to logic 0, the PAISCI pending interrupt will not assert the interrupt output.

Register 010AH, 050AH, 090AH and 0D0AH: RHPP Pointer Interpreter Interrupt Status (STS1/STM0 #1)

Register 0112H, 0512H, 0912H and 0D12H: (STS1/STM0 #2)

Register 011AH, 051AH, 091AH and 0D1AH: (STS1/STM0 #3)

Register 0122H, 0522H, 0922H and 0D22H: (STS1/STM0 #4)

Register 012AH, 052AH, 092AH and 0D2AH: (STS1/STM0 #5)

Register 0132H, 0532H, 0932H and 0D32H: (STS1/STM0 #6)

Register 013AH, 053AH, 093AH and 0D3AH: (STS1/STM0 #7)

Register 0142H, 0542H, 0942H and 0D42H: (STS1/STM0 #8)

Register 014AH, 054AH, 094AH and 0D4AH: (STS1/STM0 #9)

Register 0152H, 0552H, 0952H and 0D52H: (STS1/STM0 #10)

Register 015AH, 055AH, 095AH and 0D5AH: (STS1/STM0 #11)

Register 0162H, 0562H, 0962H and 0D62H: (STS1/STM0 #12)

Bit	Type	Function	Default
Bit 15	—	Unused	X
Bit 14	—	Unused	X
Bit 13	—	Unused	X
Bit 12	—	Unused	X
Bit 11	—	Unused	X
Bit 10	—	Unused	X
Bit 9	—	Unused	X
Bit 8	—	Unused	X
Bit 7	—	Unused	X
Bit 6	—	Unused	X
Bit 5	R	PAISCI	X
Bit 4	R	PLOPCI	X
Bit 3	R	PAISI	X
Bit 2	R	PLOPI	X
Bit 1	R	PJEI	X
Bit 0	R	NJEI	X

The Pointer Interpreter Interrupt Status Register is provided at RHPP read/write address 0AH 12H 1AH 22H 2AH 32H 3AH 42H 4AH 52H 5AH and 62H.

NJEI

The negative pointer justification event interrupt status (NJEI) bit is an event indicator. NJEI is set to logic 1 to indicate a negative pointer justification event. The interrupt status bit is independent of the interrupt enable bit. NJEI is cleared to logic 0 when this register is read.

PJEI

The positive pointer justification event interrupt status (PJEI) bit is an event indicator. PJEI is set to logic 1 to indicate a positive pointer justification event. The interrupt status bit is independent of the interrupt enable bit. PJEI is cleared to logic 0 when this register is read.

PLOPI

The path loss of pointer interrupt status (PLOPI) bit is an event indicator. PLOPI is set to logic 1 to indicate any change in the status of PLOPV (entry to the LOP_state or exit from the LOP_state). The interrupt status bit is independent of the interrupt enable bit. PLOPI is cleared to logic 0 when this register is read.

PAISI

The path alarm indication signal interrupt status (PAISI) bit is an event indicator. PAISI is set to logic 1 to indicate any change in the status of PAISV (entry to the AIS_state or exit from the AIS_state). The interrupt status bit is independent of the interrupt enable bit. PAISI is cleared to logic 0 when this register is read.

PLOPCI

The path loss of pointer concatenation interrupt status (PLOPCI) bit is an event indicator. PLOPCI is set to logic 1 to indicate any change in the status of PLOPCV (entry to the LOPC_state or exit from the LOPC_state). The interrupt status bit is independent of the interrupt enable bit. PLOPCI is cleared to logic 0 when this register is read.

PAISCI

The path concatenation alarm indication signal interrupt status (PAISCI) bit is an event indicator. PAISCI is set to logic 1 to indicate any change in the status of PAISCV (entry to the AISC_state or exit from the AISC_state). The interrupt status bit is independent of the interrupt enable bit. PAISCI is cleared to logic 0 when this register is read.

Register 010BH, 050BH, 090BH and 0D0BH: RHPP Error Monitor Status (STS1/STM0 #1)

Register 0113H, 0513H, 0913H and 0D13H: (STS1/STM0 #2)

Register 011BH, 051BH, 091BH and 0D1BH: (STS1/STM0 #3)

Register 0123H, 0523H, 0923H and 0D23H: (STS1/STM0 #4)

Register 012BH, 052BH, 092BH and 0D2BH: (STS1/STM0 #5)

Register 0133H, 0533H, 0933H and 0D33H: (STS1/STM0 #6)

Register 013BH, 053BH, 093BH and 0D3BH: (STS1/STM0 #7)

Register 0143H, 0543H, 0943H and 0D43H: (STS1/STM0 #8)

Register 014BH, 054BH, 094BH and 0D4BH: (STS1/STM0 #9)

Register 0153H, 0553H, 0953H and 0D53H: (STS1/STM0 #10)

Register 015BH, 055BH, 095BH and 0D5BH: (STS1/STM0 #11)

Register 0163H, 0563H, 0963H and 0D63H: (STS1/STM0 #12)

Bit	Type	Function	Default
Bit 15	—	Unused	X
Bit 14	—	Unused	X
Bit 13	—	Unused	X
Bit 12	—	Unused	X
Bit 11	—	Unused	X
Bit 10	—	Unused	X
Bit 9	—	Unused	X
Bit 8	—	Unused	X
Bit 7	—	Unused	X
Bit 6	R	PERDIV	X
Bit 5	R	PRDIV	X
Bit 4	R	PPDIV	X
Bit 3	R	PUNEQV	X
Bit 2	R	PPLMV	X
Bit 1	R	PPLUV	X
Bit 0	—	Unused	X

The Error Monitor Status Register is provided at RHPP read/write address 0BH 13H 1BH 23H 2BH 33H 3BH 43H 4BH 53H 5BH and 63H.

Note: The Error Monitor Status bits are ‘don’t care’ for slave timeslots.

PPLUV

The path payload label unstable status (PPLUV) bit indicates the current status of the PLU-P defect.

Algorithm 1: PPLUV is set to logic 0.

Algorithm 2: PPLUV is set to logic 1 when a total of 5 received PSL differs from the previously accepted PSL without any persistent PSL in between. PPLUV is set to logic 0 when a persistent PSL is found. A persistent PSL is found when the same PSL is received for 3 or 5 consecutive frames.

PPLMV

The path payload label mismatch status (PPLMV) bit indicates the current status of the PLM-P defect.

Algorithm 1: PPLMV is set to logic 1 when the received PSL does not match, according to Table 3, the expected PSL for 3 or 5 consecutive frames (selectable with the PSL5 register bit). PPLMV is set to logic 0 when the received PSL matches, according to Table 3, the expected PSL for 3 or 5 consecutive frames.

Algorithm 2: PPLMV is set to logic 1 when the accepted PSL does not match, according to Table 3, the expected PSL. PPLMV is set to logic 0 when the accepted PSL matches, according to Table 3, the expected PSL.

PUNEQV

The path unequipped status (PUNEQV) bit indicates the current status of the UNEQ-P defect.

PUNEQV is set to logic 1 when the received PSL indicates unequipped, according to Table 3, for 3 or 5 consecutive frames (selectable with the PSL5 register bit). An PUNEQV is set to logic 0 when the received PSL indicates not unequipped, according to Table 3, for 3 or 5 consecutive frames.

PPDIV

The path payload defect indication status (PPDIV) bit indicates the current status of the PPDI-P defect.

Algorithm 1: PPDIV is set to logic 1 when the received PSL is a defect, according to Table 3, for 3 or 5 consecutive frames (selectable with the PSL5 register bit). PPDIV is set to logic 0 when the received PSL is not a defect, according to Table 3, for 3 or 5 consecutive frames.

Algorithm 2: PPDIV is set to logic 1 when the accepted PSL is a defect, according to Table 3. PPDIV is set to logic 0 when the accepted PSL is not a defect, according to Table 3.

PRDIV

The path remote defect indication status (PRDIV) bit indicates the current status of the RDI-P defect. PRDIV is set to logic 1 when bit 5 of the G1 byte is set high for five or ten consecutive frames (selectable with the PRDI10 register bit). PRDIV is set to logic 0 when bit 5 of the G1 byte is set low for five or ten consecutive frames.

PERDIV

The path enhanced remote defect indication status (PERDIV) bit indicates the current status of the ERDI-P defect. PERDIV is set to logic 1 when the same 010, 100, 101, 110 or 111 pattern is detected in bits 5, 6 and 7 of the G1 byte for five or ten consecutive frames (selectable with the PRDI10 register bit). PERDIV is set to logic 0 when the same 000, 001 or 011 pattern is detected in bits 5, 6 and 7 of the G1 byte for five or ten consecutive frames.

Register 010CH, 050CH, 090CH and 0D0CH: RHPP Error Monitor Interrupt Enable (STS1/STM0 #1)

Register 0114H, 0514H, 0914H and 0D14H: (STS1/STM0 #2)

Register 011CH, 051CH, 091CH and 0D1CH: (STS1/STM0 #3)

Register 0124H, 0524H, 0924H and 0D24H: (STS1/STM0 #4)

Register 012CH, 052CH, 092CH and 0D2CH: (STS1/STM0 #5)

Register 0134H, 0534H, 0934H and 0D34H: (STS1/STM0 #6)

Register 013CH, 053CH, 093CH and 0D3CH: (STS1/STM0 #7)

Register 0144H, 0544H, 0944H and 0D44H: (STS1/STM0 #8)

Register 014CH, 054CH, 094CH and 0D4CH: (STS1/STM0 #9)

Register 0154H, 0554H, 0954H and 0D54H: (STS1/STM0 #10)

Register 015CH, 055CH, 095CH and 0D5CH: (STS1/STM0 #11)

Register 0164H, 0564H, 0964H and 0D64H: (STS1/STM0 #12)

Bit	Type	Function	Default
Bit 15	—	Unused	X
Bit 14	—	Unused	X
Bit 13	—	Unused	X
Bit 12	—	Unused	X
Bit 11	—	Unused	X
Bit 10	—	Unused	X
Bit 9	R/W	PREIEE	0
Bit 8	R/W	PBIPEE	0
Bit 7	R/W	COPERDIE	0
Bit 6	R/W	PERDIE	0
Bit 5	R/W	PRDIE	0
Bit 4	R/W	PPDIE	0
Bit 3	R/W	PUNEQE	0
Bit 2	R/W	PPLME	0
Bit 1	R/W	PPLUE	0
Bit 0	R/W	COPSLE	0

The Error Monitor Interrupt Enable Register is provided at RHPP read/write address 0CH 14H 1CH 24H 2CH 34H 3CH 44H 4CH 54H 5CH and 64H.

COPSLE

The change of path payload signal label interrupt enable (COPSLE) bit controls the activation of the interrupt output. When COPSLE is set to logic 1, the COPSLE pending interrupt will assert the interrupt output. When COPSLE is set to logic 0, the COPSLE pending interrupt will not assert the interrupt output.

PPLUE

The path payload label unstable interrupt enable (PPLUE) bit controls the activation of the interrupt output. When PPLUE is set to logic 1, the PPLUI pending interrupt will assert the interrupt output. When PPLUE is set to logic 0, the PPLUI pending interrupt will not assert the interrupt output.

PPLME

The path payload label mismatch interrupt enable (PPLME) bit controls the activation of the interrupt output. When PPLME is set to logic 1, the PPLMI pending interrupt will assert the interrupt output. When PPLME is set to logic 0, the PPLMI pending interrupt will not assert the interrupt output.

PUNEQE

The path payload unequipped interrupt enable (PUNEQE) bit controls the activation of the interrupt output. When PUNEQE is set to logic 1, the PUNEQI pending interrupt will assert the interrupt output. When PUNEQE is set to logic 0, the PUNEQI pending interrupt will not assert the interrupt output.

PPDIE

The path payload defect indication interrupt enable (PPDIE) bit controls the activation of the interrupt output. When PPDIE is set to logic 1, the PPDI pending interrupt will assert the interrupt output. When PPDIE is set to logic 0, the PPDI pending interrupt will not assert the interrupt output.

PRDIE

The path remote defect indication interrupt enable (PRDIE) bit controls the activation of the interrupt output. When PRDIE is set to logic 1, the PRDII pending interrupt will assert the interrupt output. When PRDIE is set to logic 0, the PRDII pending interrupt will not assert the interrupt output.

PERDIE

The path enhanced remote defect indication interrupt enable (PERDIE) bit controls the activation of the interrupt output. When PERDIE is set to logic 1, the PERDII pending interrupt will assert the interrupt output. When PERDIE is set to logic 0, the PERDII pending interrupt will not assert the interrupt output.

COPERDIE

The change of path enhanced remote defect indication interrupt enable (COPERDIE) bit controls the activation of the interrupt output. When COPERDIE is set to logic 1, the COPERDII pending interrupt will assert the interrupt output. When COPERDIE is set to logic 0, the COPERDII pending interrupt will not assert the interrupt output.

PBIPEE

The path BIP-8 error interrupt enable (PBIPEE) bit controls the activation of the interrupt output. When PBIPEE is set to logic 1, the PBIPEI pending interrupt will assert the interrupt output. When PBIPEE is set to logic 0, the PBIPEI pending interrupt will not assert the interrupt output.

PREIEE

The path REI error interrupt enable (PREIEE) bit controls the activation of the interrupt output. When PREIEE is set to logic 1, the PREIEI pending interrupt will assert the interrupt output. When PREIEE is set to logic 0, the PREIEI pending interrupt will not assert the interrupt output.

Register 010DH, 050DH, 090DH and 0D0DH: RHPP Error Monitor Interrupt Status (STS1/STM0 #1)

Register 0115H, 0515H, 0915H and 0D15H: (STS1/STM0 #2)

Register 011DH, 051DH, 091DH and 0D1DH: (STS1/STM0 #3)

Register 0125H, 0525H, 0925H and 0D25H: (STS1/STM0 #4)

Register 012DH, 052DH, 092DH and 0D2DH: (STS1/STM0 #5)

Register 0135H, 0535H, 0935H and 0D35H: (STS1/STM0 #6)

Register 013DH, 053DH, 093DH and 0D3DH: (STS1/STM0 #7)

Register 0145H, 0545H, 0945H and 0D45H: (STS1/STM0 #8)

Register 014DH, 054DH, 094DH and 0D4DH: (STS1/STM0 #9)

Register 0155H, 0555H, 0955H and 0D55H: (STS1/STM0 #10)

Register 015DH, 055DH, 095DH and 0D5DH: (STS1/STM0 #11)

Register 0165H, 0565H, 0965H and 0D65H: (STS1/STM0 #12)

Bit	Type	Function	Default
Bit 15	—	Unused	X
Bit 14	—	Unused	X
Bit 13	—	Unused	X
Bit 12	—	Unused	X
Bit 11	—	Unused	X
Bit 10	—	Unused	X
Bit 9	R	PREIEI	X
Bit 8	R	PBIPEI	X
Bit 7	R	COPERDII	X
Bit 6	R	PERDII	X
Bit 5	R	PRDII	X
Bit 4	R	PPDII	X
Bit 3	R	PUNEQI	X
Bit 2	R	PPLMI	X
Bit 1	R	PPLUI	X
Bit 0	R	COPSLI	X

The Error Monitor Interrupt Status Register is provided at RHPP read/write address 0DH 15H 1DH 25H 2DH 35H 3DH 45H 4DH 55H 5DH and 65H.

COPSLI

The change of path payload signal label interrupt status (COPSLI) bit is an event indicator. COPSLI is set to logic 1 to indicate a new PSL-P value. The interrupt status bit is independent of the interrupt enable bit. COPSLI is cleared to logic 0 when this register is read. ALGO2 register bit has no effect on COPSLI.

PPLUI

The path payload label unstable interrupt status (PPLUI) bit is an event indicator. PPLUI is set to logic 1 to indicate any change in the status of PPLUV (stable to unstable or unstable to stable). The interrupt status bit is independent of the interrupt enable bit. PPLUI is cleared to logic 0 when this register is read.

PPLMI

The path payload label mismatch interrupt status (PPLMI) bit is an event indicator. PPLMI is set to logic 1 to indicate any change in the status of PPLMV (match to mismatch or mismatch to match). The interrupt status bit is independent of the interrupt enable bit. PPLMI is cleared to logic 0 when this register is read.

PUNEQI

The path payload unequipped interrupt status (PUNEQI) bit is an event indicator. PUNEQI is set to logic 1 to indicate any change in the status of PUNEQV (equipped to unequipped or unequipped to equipped). The interrupt status bit is independent of the interrupt enable bit. PUNEQI is cleared to logic 0 when this register is read.

PPDII

The path payload defect indication interrupt status (PPDII) bit is an event indicator. PPDII is set to logic 1 to indicate any change in the status of PPDIV (no defect to payload defect or payload defect to no defect). The interrupt status bit is independent of the interrupt enable bit. PPDII is cleared to logic 0 when this register is read.

PRDII

The path remote defect indication interrupt status (PRDII) bit is an event indicator. PRDII is set to logic 1 to indicate any change in the status of PRDIV (no defect to RDI defect or RDI defect to no defect). The interrupt status bit is independent of the interrupt enable bit. PRDII is cleared to logic 0 when this register is read.

PERDII

The path enhanced remote defect indication interrupt status (PERDII) bit is an event indicator. PERDII is set to logic 1 to indicate any change in the status of PERDIV (no defect to ERDI defect or ERDI defect to no defect). The interrupt status bit is independent of the interrupt enable bit. PERDII is cleared to logic 0 when this register is read.

COPERDII

The change of path enhanced remote defect indication interrupt status (COPERDII) bit is an event indicator. COPERDII is set to logic 1 to indicate a new ERDI-P value. The interrupt status bit is independent of the interrupt enable bit. COPERDII is cleared to logic 0 when this register is read.

PBIPEI

The path BIP-8 error interrupt status (PBIPEI) bit is an event indicator. PBIPEI is set to logic 1 to indicate a path BIP-8 error. The interrupt status bit is independent of the interrupt enable bit. PBIPEI is cleared to logic 0 when this register is read.

PREIEI

The path REI error interrupt status (PREIEI) bit is an event indicator. PREIEI is set to logic 1 to indicate a path REI error. The interrupt status bit is independent of the interrupt enable bit. PREIEI is cleared to logic 0 when this register is read.

Indirect Register 00H: RHPP Pointer Interpreter Configuration

Bit	Type	Function	Default
Bit 15	—	Unused	X
Bit 14	—	Unused	X
Bit 13	—	Unused	X
Bit 12	—	Unused	X
Bit 11	—	Unused	X
Bit 10	—	Unused	X
Bit 9	—	Unused	X
Bit 8	—	Unused	X
Bit 7	R/W	Reserved	0
Bit 6	R/W	Reserved	0
Bit 5	R/W	NDFCNT	0
Bit 4	R/W	INVCNT	0
Bit 3	R/W	RELAYPAIS	0
Bit 2	R/W	JUST3DIS	0
Bit 1	R/W	SSEN	0
Bit 0	—	Unused	X

The Pointer Interpreter Configuration Indirect Register is provided at RHPP read/write indirect address 00H.

SSEN

The SS bits enable (SSEN) bit selects whether or not the SS bits are taking into account in the pointer interpreter state machine. When SSEN is set to logic 1, the SS bits must be set to 10 for a valid NORM_POINT, NDF_ENABLE, INC_IND, DEC_IND or NEW_POINT indication. When SSEN is set to logic 0, the SS bits are ignored.

JUST3DIS

The “justification more than 3 frames ago disable” (JUST3DIS) bit selects whether or not the INC_IND or DEC_IND pointer justifications must be more than 3 frames apart to be considered valid. When JUST3DIS is set to logic 0, the previous NDF_ENABLE, INC_IND or DEC_IND indication must be more than 3 frames ago or the present INC_IND or DEC_IND indication is considered an INV_POINT indication. NDF_ENABLE indications can be every frame regardless of the JUST3DIS bit. When JUST3DIS is set to logic 1, INC_IND or DEC_IND indication can be every frame.

RELAYPAIS

The relay path AIS (RELAYPAIS) bit selects the condition to enter the path AIS state in the pointer interpreter state machine. When RELAYPAIS is set to logic 1, the path AIS state is entered with 1 X AIS_ind indication. When RELAYPAIS is set to logic 0, the path AIS state is entered with 3 X AIS_ind indications. This configuration bit also affects the concatenation pointer interpreter state machine.

INVCNT

The invalid counter (INVCNT) bit selects the behavior of the consecutive INV_POINT event counter in the pointer interpreter state machine. When INVCNT is set to logic 1, the consecutive INV_POINT event counter is reset by 3 EQ_NEW_POINT indications. When INVCNT is set to logic 0, the counter is not reset by 3 EQ_NEW_POINT indications.

NDFCNT

The new data flag counter (NDFCNT) bit selects the behavior of the consecutive NDF_ENABLE event counter in the pointer interpreter state machine. When NDFCNT is set to logic 1, the NDF_ENABLE definition is enabled NDF + SS. When NDFCNT is set to logic 0, the NDF_ENABLE definition is enabled NDF + SS + offset value in the range 0 to 782 (764 in TU-3 mode). This configuration bit only changes the NDF_ENABLE definition for the consecutive NDF_ENABLE even counter to count towards LOP-P defect when the pointer is out of range, this configuration bit does not change the NDF_ENABLE definition for pointer justification.

Reserved

The reserved bits must be programmed to their default values for proper operation.

Indirect Register 01H: RHPP Error Monitor Configuration

Bit	Type	Function	Default
Bit 15	—	Unused	X
Bit 14	—	Unused	X
Bit 13	—	Unused	X
Bit 12	—	Unused	X
Bit 11	R/W	B3EONRPOH	0
Bit 10	R/W	IPREIBLK	0
Bit 9	R/W	IBER	0
Bit 8	R/W	PREIBLKACC	0
Bit 7	R/W	B3EBLK	0
Bit 6	R/W	PBIPEBLKREI	0
Bit 5	R/W	PBIPEBLKACC	0
Bit 4	R/W	FSBIPDIS	0
Bit 3	R/W	PRDI10	0
Bit 2	R/W	PLMEND	0
Bit 1	R/W	PSL5	0
Bit 0	R/W	ALGO2	0

The Error Monitor Configuration Indirect Register is provided at RHPP read/write indirect address 01H.

ALGO2

The payload signal label algorithm 2 (ALGO2) bit selects the algorithm for the PSL monitoring. When ALGO2 is set to logic 1, the ITU compliant algorithm is (algorithm 2) is used to monitor the PSL. When ALGO2 is set to logic 0, the BELLCORE compliant algorithm (algorithm 1) is used to monitor the PSL. ALGO2 changes the PLU-P, PLM-P and PDI-P defect definitions but has no effect on UNEQ-P defect, accepted PSL and change of PSL definitions

PSL5

The payload signal label detection (PSL5) bit selects the path PSL persistence. When PSL5 is set to logic 1, a new PSL is accepted when the same PSL value is detected in the C2 byte for five consecutive frames. When PSL5 is set to logic 0, a new PSL is accepted when the same PSL value is detected in the C2 byte for three consecutive frames.

PLMEND

The payload label mismatch removal (PLMEND) bit controls the removal of a PLM-P defect when an UNEQ-P defect is declared. When PLMEND is set to logic 1, a PLM-P defect is terminated when an UNEQ-P defect is declared. When PLMEND is set to logic 0, a PLM-P defect is not terminated when an UNEQ-P defect is declared.

PRDI10

The path remote defect indication detection (PRDI10) bit selects the path RDI and path ERDI persistence. When PRDI10 is set to logic 1, path RDI and path ERDI are accepted when the same pattern is detected in bits 5,6,7 of the G1 byte for ten consecutive frames. When PRDI10 is set to logic 0, path RDI and path ERDI are accepted when the same pattern is detected in bits 5,6,7 of the G1 byte for five consecutive frames.

FSBIPDIS

The disable fixed stuff columns during BIP-8 calculation (FSBIPDIS) bit controls the path BIP-8 calculation for an STS-1 (VC-3) payload. When FSBIPDIS is set to logic 1, the fixed stuff columns are not part of the BIP-8 calculation when processing an STS-1 (VC-3) payload. When FSBIPDIS is set to logic 0, the fixed stuff columns are part of the BIP-8 calculation when processing an STS-1 (VC-3) payload.

PBIPEBLKACC

The path block BIP-8 errors accumulation (PBIPEBLKACC) bit controls the accumulation of path BIP-8 errors. When PBIPEBLKACC is set to logic 1, the path BIP-8 error accumulation represents block BIP-8 errors (a maximum of 1 error per frame). When PBIPEBLKACC is set to logic 0, the path BIP-8 error accumulation represents BIP-8 errors (a maximum of 8 errors per frame).

PBIPEBLKREI

The path block BIP-8 errors (PBIPEBLKREI) bit controls the path REI errors returned to the THPP. When PBIPEBLKREI is set to logic 1, the path REI is updated with block BIP-8 errors (a maximum of 1 error per frame). When PBIPEBLKREI is set to logic 0, the path REI is updated with BIP-8 errors (a maximum of 8 errors per frame).

B3EBLK

The serial path block BIP-8 errors (B3EBLK) bit controls the indication of path BIP-8 errors on the B3E serial output. When B3EBLK is set to logic 1, B3E outputs block BIP-8 errors (a maximum of 1 error per frame). When B3EBLK is set to logic 0, B3E outputs BIP-8 errors (a maximum of 8 errors per frame).

PREIBLKACC

The path block REI errors accumulation (PREIBLKACC) bit controls the accumulation of path REI errors from the path status (G1) byte. When PREIBLK is set to logic 1, the extracted path REI errors are interpreted as block BIP-8 errors (a maximum of 1 error per frame). When PREIBLK is set to logic 0, the extracted path REI errors are interpret as BIP-8 errors (a maximum of 8 errors per frame).

IBER

The in-band error reporting (IBER) bit controls the in-band regeneration of the path status (G1) byte. When IBER is set to logic 1, the path status byte is updated with the REI-P and the ERDI-P defects that must be returned to the far end. When IBER is set to logic 0, the path status byte is not altered.

IPREIBLK

The in-band path REI block errors (IPREIBLK) bit controls the regeneration of the path REI errors in the path status (G1) byte. When IPREIBLK is set to logic 1, the path REI is updated with block BIP-8 errors (a maximum of 1 error per frame). When IPREIBLK is set to logic 0, the path REI is updated with BIP-8 errors (a maximum of 8 errors per frame).

B3EONRPOH

The B3EONRPOH bit controls the data presented on RPOH ports. When set to logic 0, the received B3 byte is placed on the RPOH port. When set to logic 1, the B3 error count is placed on the RPOH port as it is placed on the B3E port. Indirect Register 02H: RHPP Pointer Value and ERDI

Bit	Type	Function	Default
Bit 15	R	PERDIV[2]	X
Bit 14	R	PERDIV[1]	X
Bit 13	R	PERDIV[0]	X
Bit 12	—	Unused	X
Bit 11	R	SSV[1]	X
Bit 10	R	SSV[0]	X
Bit 9	R	PTRV[9]	X
Bit 8	R	PTRV[8]	X
Bit 7	R	PTRV[7]	X
Bit 6	R	PTRV[6]	X
Bit 5	R	PTRV[5]	X
Bit 4	R	PTRV[4]	X
Bit 3	R	PTRV[3]	X
Bit 2	R	PTRV[2]	X
Bit 1	R	PTRV[1]	X
Bit 0	R	PTRV[0]	X

The Pointer Value Indirect Register is provided at RHPP read/write address 02H.

PTRV[9:0]

The path pointer value (PTRV[9:0]) bits represent the current STS (AU or TU3) pointer being process by the pointer interpreter state machine or by the concatenation pointer interpreter state machine.

SSV[1:0]

The SS value (SSV[1:0]) bits represent the current SS (DD) bits being processed by the pointer interpreter state machine or by the concatenation pointer interpreter state machine.

PERDIV[2:0]

The path enhanced remote defect indication value (PERDIV[2:0]) bits represent the filtered path enhanced remote defect indication value. PERDIV[2:0] is updated when the same ERDI pattern is detected in bits 5,6,7 of the G1 byte for five or ten consecutive frames (selectable with the PRDI10 register bit).

Indirect Register 03H: RHPP Captured and Accepted PSL

Bit	Type	Function	Default
Bit 15	R	CPSLV[7]	X
Bit 14	R	CPSLV[6]	X
Bit 13	R	CPSLV[5]	X
Bit 12	R	CPSLV[4]	X
Bit 11	R	CPSLV[3]	X
Bit 10	R	CPSLV[2]	X
Bit 9	R	CPSLV[1]	X
Bit 8	R	CPSLV[0]	X
Bit 7	R	APSLV[7]	X
Bit 6	R	APSLV[6]	X
Bit 5	R	APSLV[5]	X
Bit 4	R	APSLV[4]	X
Bit 3	R	APSLV[3]	X
Bit 2	R	APSLV[2]	X
Bit 1	R	APSLV[1]	X
Bit 0	R	APSLV[0]	X

The Accepted PSL and ERDI Indirect Register is provided at RHPP read/write address 03H.

APSLV[7:0]

The accepted path signal label value (APSLV[7:0]) bits represent the last accepted path signal label value. A new PSL is accepted when the same PSL value is detected in the C2 byte for three or five consecutive frames. (selectable with the PSL5 register bit).

CPSLV[7:0]

The captured path signal label value (CPSLV[7:0]) bits represent the last captured path signal label value. A new PSL is captured every frame from the C2 byte.

Indirect Register 04H: RHPP Expected PSL and PDI

Bit	Type	Function	Default
Bit 15	—	Unused	X
Bit 14	—	Unused	X
Bit 13	R/W	PDIRANGE	0
Bit 12	R/W	PDI[4]	0
Bit 11	R/W	PDI[3]	0
Bit 10	R/W	PDI[2]	0
Bit 9	R/W	PDI[1]	0
Bit 8	R/W	PDI[0]	0
Bit 7	R/W	EPSL[7]	0
Bit 6	R/W	EPSL[6]	0
Bit 5	R/W	EPSL[5]	0
Bit 4	R/W	EPSL[4]	0
Bit 3	R/W	EPSL[3]	0
Bit 2	R/W	EPSL[2]	0
Bit 1	R/W	EPSL[1]	0
Bit 0	R/W	EPSL[0]	0

The Expected PSL and PDI Indirect Register is provided at RHPP read/write indirect address 04H.

EPSL[7:0]

The expected path signal label (EPSL[7:0]) bits represent the expected path signal label. The expected PSL and the expected PDI validate the received or the accepted PSL to declare PLM-P, UNEQ-P and PDI-P defects according Table 3.

PDI[4:0], PDIRANGE

The payload defect indication (PDI[4:0]) bits and the payload defect indication range (PDIRANGE) bit determine the expected payload defect indication according to Table 4. When PDIRANGE is set to logic 1, the PDI range is enabled and the expected PDI range is from E1H to E0H+PDI[4:0]. When PDIRANGE is set to logic 0, the PDI range is disabled and the expected PDI value is E0H+PDI[4:0]. The expected PSL and the expected PDI validate the received or the accepted PSL to declare PLM-P, UNEQ-P and PDI-P defects according Table 3.

Indirect Register 05H: RHPP Pointer Interpreter Status

Bit	Type	Function	Default
Bit 15	—	Unused	X
Bit 14	—	Unused	X
Bit 13	—	Unused	X
Bit 12	—	Unused	X
Bit 11	—	Unused	X
Bit 10	—	Unused	X
Bit 9	—	Unused	X
Bit 8	—	Unused	X
Bit 7	—	Unused	X
Bit 6	R	NDF	X
Bit 5	R	ILLPTR	X
Bit 4	R	INVNDF	X
Bit 3	R	DISCOPA	X
Bit 2	R	CONCAT	X
Bit 1	R	ILLJREQ	X
Bit 0	—	Unused	X

The Pointer Interpreter Status Indirect Register is provided at RHPP read/write indirect address 05H.

Note: The Pointer Interpreter Status bits are don't care for slave time slots.

ILLJREQ

The illegal pointer justification request (ILLJREQ) signal is set high when a positive and/or negative pointer adjustment is received within three frames of a pointer justification event (inc_ind, dec_ind) or an NDF triggered active offset adjustment (NDF_enable).

CONCAT

The CONCAT bit is set high if the H1 and H2 pointer bytes received match the concatenation indication (one of the five NDF_enable patterns in the NDF field, don't care in the size field, and all-ones in the pointer offset field).

DISCOPA

The discontinuous change of pointer alignment (DISCOPA) signal is set high when there is a pointer adjustment due to receiving a pointer repeated three times.

INVNDF

The invalid new data flag (INVNDF) signal is set high when an invalid NDF code is received.

ILLPTR

The illegal pointer offset (ILLPTR) signal is set high when the pointer received is out of the range even when it indicates a legal justification. Legal values are from 0 to 782 (764 in TU3 mode). Pointer justification requests (inc_req, dec_req) and AIS indications (AIS_ind) are not considered illegal.

NDF

The new data flag (NDF) signal is set high when an enabled New Data Flag is received indicating a pointer adjustment (NDF_enabled indication).

Indirect Register 06H: RHPP Path BIP Error Counter

Bit	Type	Function	Default
Bit 15	R	PBIPE[15]	X
Bit 14	R	PBIPE[14]	X
Bit 13	R	PBIPE[13]	X
Bit 12	R	PBIPE[12]	X
Bit 11	R	PBIPE[11]	X
Bit 10	R	PBIPE[10]	X
Bit 9	R	PBIPE[9]	X
Bit 8	R	PBIPE[8]	X
Bit 7	R	PBIPE[7]	X
Bit 6	R	PBIPE[6]	X
Bit 5	R	PBIPE[5]	X
Bit 4	R	PBIPE[4]	X
Bit 3	R	PBIPE[3]	X
Bit 2	R	PBIPE[2]	X
Bit 1	R	PBIPE[1]	X
Bit 0	R	PBIPE[0]	X

The RHPP Path BIP Error Counter register is provided at RHPP read/write indirect address 06H.

PBIPE[15:0]

The path BIP error (PBIPE[15:0]) bits represent the number of path BIP errors that have been detected in the B3 byte since the last accumulation interval. The error counters are transferred to the holding registers by a microprocessor write to the RHPP Counters Update register.

Indirect Register 07H: RHPP Path REI Error Counter

Bit	Type	Function	Default
Bit 15	R	PREIE[15]	X
Bit 14	R	PREIE[14]	X
Bit 13	R	PREIE[13]	X
Bit 12	R	PREIE[12]	X
Bit 11	R	PREIE[11]	X
Bit 10	R	PREIE[10]	X
Bit 9	R	PREIE[9]	X
Bit 8	R	PREIE[8]	X
Bit 7	R	PREIE[7]	X
Bit 6	R	PREIE[6]	X
Bit 5	R	PREIE[5]	X
Bit 4	R	PREIE[4]	X
Bit 3	R	PREIE[3]	X
Bit 2	R	PREIE[2]	X
Bit 1	R	PREIE[1]	X
Bit 0	R	PREIE[0]	X

The RHPP Path BIP Error Counter register is provided at RHPP read/write indirect address 07H.

PREIE[15:0]

The path REI error (PREIE[15:0]) bits represent the number of path REI errors that have been extracted from the G1 byte since the last accumulation interval. The error counters are transferred to the holding registers by a microprocessor write to the RHPP Counters Update register.

Indirect Register 08H: RHPP Path Negative Justification Event Counter

Bit	Type	Function	Default
Bit 15	—	Unused	X
Bit 14	—	Unused	X
Bit 13	—	Unused	X
Bit 12	R	PNJE[12]	X
Bit 11	R	PNJE[11]	X
Bit 10	R	PNJE[10]	X
Bit 9	R	PNJE[9]	X
Bit 8	R	PNJE[8]	X
Bit 7	R	PNJE[7]	X
Bit 6	R	PNJE[6]	X
Bit 5	R	PNJE[5]	X
Bit 4	R	PNJE[4]	X
Bit 3	R	PNJE[3]	X
Bit 2	R	PNJE[2]	X
Bit 1	R	PNJE[1]	X
Bit 0	R	PNJE[0]	X

The RHPP Path Negative Justification Event Counter register is provided at RHPP read/write indirect address 08H.

PNJE[12:0]

The Path Negative Justification Event (PNJE[12:0]) bits represent the number of Path Negative Justification Events that have occurred since the last accumulation interval. The event counters are transferred to the holding registers by a microprocessor write to RHPP Counters Update register.

Indirect Register 09H: RHPP Path Positive Justification Event Counter

Bit	Type	Function	Default
Bit 15	—	Unused	X
Bit 14	—	Unused	X
Bit 13	—	Unused	X
Bit 12	R	PPJE[12]	X
Bit 11	R	PPJE[11]	X
Bit 10	R	PPJE[10]	X
Bit 9	R	PPJE[9]	X
Bit 8	R	PPJE[8]	X
Bit 7	R	PPJE[7]	X
Bit 6	R	PPJE[6]	X
Bit 5	R	PPJE[5]	X
Bit 4	R	PPJE[4]	X
Bit 3	R	PPJE[3]	X
Bit 2	R	PPJE[2]	X
Bit 1	R	PPJE[1]	X
Bit 0	R	PPJE[0]	X

The RHPP Path Positive Justification Event Counter register is provided at RHPP read/write indirect address 09H.

PPJE[12:0]

The Path Positive Justification Event (PPJE[12:0]) bits represent the number of Path Positive Justification Events that have occurred since the last accumulation interval. The event counters are transferred to the holding registers by a microprocessor write to RHPP Counters Update register.

Register 0180H, 0580H, 0980H, and 0D80H: RHPP TU3 Indirect Address

Bit	Type	Function	Default
Bit 15	R	BUSY	X
Bit 14	R/W	RWB	0
Bit 13	—	Unused	X
Bit 12	—	Unused	X
Bit 11	—	Unused	X
Bit 10	—	Unused	X
Bit 9	R/W	IADDR[3]	0
Bit 8	R/W	IADDR[2]	0
Bit 7	R/W	IADDR[1]	0
Bit 6	R/W	IADDR[0]	0
Bit 5	—	Unused	X
Bit 4	—	Unused	X
Bit 3	R/W	PATH[3]	0
Bit 2	R/W	PATH[2]	0
Bit 1	R/W	PATH[1]	0
Bit 0	R/W	PATH[0]	0

The Indirect Address Register is provided at RHPP read/write address 0180H, 0580H, 0980H, and 0D80H.

PATH[3:0]

The STS-1/STM-0 path (PATH[3:0]) bits select which STS-1/STM-0 path is accessed by the current indirect transfer.

PATH[3:0]	STS-1/STM-0 path #
0000	Invalid path
0001-1100	Path #1 to Path #12
1101-1111	Invalid path

IADDR[3:0]

The indirect address location (IADDR[2:0]) bits select which address location is accessed by the current indirect transfer.

Indirect Address IADDR[3:0]	Indirect Data
0000	Pointer Interpreter Configuration
0001	Error Monitor Configuration
0010	Pointer Value and ERDI
0011	Captured and Accepted PSL
0100	Expected PSL and PDI
0101	RHPP Pointer Interpreter status

Indirect Address IADDR[3:0]	Indirect Data
0110	RHPP Path BIP Error Counter
0111	RHPP Path REI Error Counter
1000	RHPP Path Negative Justification Event Counter
1001	RHPP Path Positive Justification Event Counter
1010 to 1111	Unused

RWB

The active high read and active low write (RWB) bit selects if the current access to the internal RAM is an indirect read or an indirect write. Writing to the Indirect Address Register initiates an access to the internal RAM. When RWB is set to logic 1, an indirect read access to the RAM is initiated. The data from the addressed location in the internal RAM will be transferred to the Indirect Data Register. When RWB is set to logic 0, an indirect write access to the RAM is initiated. The data from the Indirect Data Register will be transferred to the addressed location in the internal RAM.

BUSY

The active high RAM busy (BUSY) bit reports if a previously initiated indirect access to the internal RAM has been completed. BUSY is set to logic 1 upon writing to the Indirect Address Register. BUSY is set to logic 0, upon completion of the RAM access. This register should be polled to determine when new data is available in the Indirect Data Register.

Register 0181H, 0581H, 0981H, and 0D81H: RHPP TU3 Indirect Data

Bit	Type	Function	Default
Bit 15	R/W	DATA[15]	0
Bit 14	R/W	DATA[14]	0
Bit 13	R/W	DATA[13]	0
Bit 12	R/W	DATA[12]	0
Bit 11	R/W	DATA[11]	0
Bit 10	R/W	DATA[10]	0
Bit 9	R/W	DATA[9]	0
Bit 8	R/W	DATA[8]	0
Bit 7	R/W	DATA[7]	0
Bit 6	R/W	DATA[6]	0
Bit 5	R/W	DATA[5]	0
Bit 4	R/W	DATA[4]	0
Bit 3	R/W	DATA[3]	0
Bit 2	R/W	DATA[2]	0
Bit 1	R/W	DATA[1]	0
Bit 0	R/W	DATA[0]	0

The Indirect Data Register is provided at RHPP read/write address 0181H, 0581H, 0981H, and 0D81H.

DATA[15:0]

The indirect access data (DATA[15:0]) bits hold the data transfer to or from the internal RAM during indirect access. When RWB is set to logic 1 (indirect read), the data from the addressed location in the internal RAM will be transferred to DATA[15:0]. BUSY should be polled to determine when the new data is available in DATA[15:0]. When RWB is set to logic 0 (indirect write), the data from DATA[15:0] will be transferred to the addressed location in the internal RAM. The indirect Data register must contain valid data before the indirect write is initiated by writing to the Indirect Address Register.

DATA[15:0] has a different meaning depending on which address of the internal RAM is being accessed.

Register 0182H, 0582H, 0982H, and 0D82H: RHPP TU3 Payload Configuration

Bit	Type	Function	Default
Bit 15	R/W	Reserved	0
Bit 14	R/W	Reserved	0
Bit 13	R/W	Reserved	0
Bit 12	—	Unused	X
Bit 11	—	Unused	X
Bit 10	—	Unused	X
Bit 9	—	Unused	X
Bit 8	R/W	Reserved	0
Bit 7	R/W	TUG3[4]	0
Bit 6	R/W	TUG3[3]	0
Bit 5	R/W	TUG3[2]	0
Bit 4	R/W	TUG3[1]	0
Bit 3	R/W	Reserved	0
Bit 2	R/W	Reserved	0
Bit 1	R/W	Reserved	0
Bit 0	R/W	Reserved	0

The Payload Configuration Register is provided at RHPP read/write address 0182H, 0582H, 0982H, and 0D82H.

Reserved

The reserved bits must be programmed to their default values for proper operation.

TUG3[1]

The TUG3 payload configuration (TUG3[1]) bit selects the payload configuration. When TUG3[1] is set to logic 1, the STS-1/STM-0 paths #1, #5 and #9 are part of a TUG3 payload. When TUG3[1] is set to logic 0, the paths are not part of a TUG3 payload.

TUG3[2]

The TUG3 payload configuration (TUG3[2]) bit selects the payload configuration. When TUG3[2] is set to logic 1, the STS-1/STM-0 paths #2, #6 and #10 are part of a TUG3 payload. When TUG3[2] is set to logic 0, the paths are not part of a TUG3 payload.

TUG3[3]

The TUG3 payload configuration (TUG3[3]) bit selects the payload configuration. When TUG3[3] is set to logic 1, the STS-1/STM-0 paths #3, #7 and #11 are part of a TUG3 payload. When TUG3[3] is set to logic 0, the paths are not part of a TUG3 payload.

TUG3[4]

The TUG3 payload configuration (TUG3[4]) bit selects the payload configuration. When TUG3[4] is set to logic 1, the STS-1/STM-0 paths #4, #8 and #12 are part of a TUG3 payload. When TUG3[4] is set to logic 0, the paths are not part of a TUG3 payload.

Downloaded by Content Team of Partminer Inc on Thursday, 27 April, 2006 09:55:11 AM

Register 0183H, 0583H, 0983H, and 0D83H: RHPP TU3 Counters Update

Bit	Type	Function	Default
Bit 15	—	Unused	X
Bit 14	—	Unused	X
Bit 13	—	Unused	X
Bit 12	—	Unused	X
Bit 11	—	Unused	X
Bit 10	—	Unused	X
Bit 9	—	Unused	X
Bit 8	—	Unused	X
Bit 7	—	Unused	X
Bit 6	—	Unused	X
Bit 5	—	Unused	X
Bit 4	—	Unused	X
Bit 3	—	Unused	X
Bit 2	—	Unused	X
Bit 1	—	Unused	X
Bit 0	—	Unused	X

Any write to the RHPP Counters Update Register (0X03H) or to the Master Configuration Register (0000H) will trigger the transfer of all counter values to their holding registers.

Register 0184H, 0584H, 0984H, and 0D84H: RHPP TU3 Path Interrupt Status

Bit	Type	Function	Default
Bit 15	—	Unused	X
Bit 14	—	Unused	X
Bit 13	—	Unused	X
Bit 12	—	Unused	X
Bit 11	R	P_INT[12]	X
Bit 10	R	P_INT[11]	X
Bit 9	R	P_INT[10]	X
Bit 8	R	P_INT[9]	X
Bit 7	R	P_INT[8]	X
Bit 6	R	P_INT[7]	X
Bit 5	R	P_INT[6]	X
Bit 4	R	P_INT[5]	X
Bit 3	R	P_INT[4]	X
Bit 2	R	P_INT[3]	X
Bit 1	R	P_INT[2]	X
Bit 0	R	P_INT[1]	X

The RHPP Path Interrupt Status Register is provided at RHPP read address 04H.

P_INT[12:1]

The Path Interrupt Status bit (P_INT[12:1]) tells which path(s) have interrupts that are still active. Reading from this register will not clear any of the interrupts, it is simply added to reduce the average number of accesses required to service interrupts.

Register 0188H, 0588H, 0988H and 0D88H: RHPP TU3 Pointer Interpreter

Status(STS1/STM0 #1)

Register 0190H, 0590H, 0990H and 0D90H: (STS1/STM0 #2)

Register 0198H, 0598H, 0998H and 0D98H: (STS1/STM0 #3)

Register 01A0H, 05A0H, 09A0H and 0DA0H: (STS1/STM0 #4)

Register 01A8H, 05A8H, 09A8H and 0DA8H: (STS1/STM0 #5)

Register 01B0H, 05B0H, 09B0H and 0DB0H: (STS1/STM0 #6)

Register 01B8H, 05B8H, 09B8H and 0DB8H: (STS1/STM0 #7)

Register 01C0H, 05C0H, 09C0H and 0DC0H: (STS1/STM0 #8)

Register 01C8H, 05C8H, 09C8H and 0DC8H: (STS1/STM0 #9)

Register 01D0H, 05D0H, 09D0H and 0DD0H: (STS1/STM0 #10)

Register 01D8H, 05D8H, 09D8H and 0DD8H: (STS1/STM0 #11)

Register 01E0H, 05E0H, 09E0H and 0DE0H: (STS1/STM0 #12)

Bit	Type	Function	Default
Bit 15	—	Unused	X
Bit 14	—	Unused	X
Bit 13	—	Unused	X
Bit 12	—	Unused	X
Bit 11	—	Unused	X
Bit 10	—	Unused	X
Bit 9	—	Unused	X
Bit 8	—	Unused	X
Bit 7	—	Unused	X
Bit 6	—	Unused	X
Bit 5	R	Reserved	X
Bit 4	R	Reserved	X
Bit 3	R	PAISV	X
Bit 2	R	PLOPV	X
Bit 1	—	Unused	X
Bit 0	—	Unused	X

The Pointer Interpreter Status Register is provided at RHPP read/write addresses 08H, 10H, 18H, 20H, 28H, 30H, 38H, 40H, 48H, 50H, 58H and 60H.

PLOPV

The path lost of pointer state (PLOPV) bit indicates the current status of the pointer interpreter state machine. PLOPV is set to logic 1 when the state machine is in the LOP_state. PLOPV is set to logic 0 when the state machine is not in the LOP_state.

PAISV

The path alarm indication signal state (PAISV) bit indicates the current status of the pointer interpreter state machine. PAISV is set to logic 1 when the state machine is in the AIS_state. PAISV is set to logic 0 when the state machine is not in the AIS_state.

Reserved

The reserved bits must be programmed to their default values for proper operation.

Downloaded by Content Team of Partminer Inc on Thursday, 27 April, 2006 09:55:04 PM

Register 0189H, 0589H, 0989H and 0D89H: RHPP TU3 Pointer Interpreter Interrupt Enable (STS1/STM0 #1)

Register 0191H, 0591H, 0991H and 0D91H: (STS1/STM0 #2)

Register 0199H, 0599H, 0999H and 0D99H: (STS1/STM0 #3)

Register 01A1H, 05A1H, 09A1H and 0DA1H: (STS1/STM0 #4)

Register 01A9H, 05A9H, 09A9H and 0DA9H: (STS1/STM0 #5)

Register 01B1H, 05B1H, 09B1H and 0DB1H: (STS1/STM0 #6)

Register 01B9H, 05B9H, 09B9H and 0DB9H: (STS1/STM0 #7)

Register 01C1H, 05C1H, 09C1H and 0DC1H: (STS1/STM0 #8)

Register 01C9H, 05C9H, 09C9H and 0DC9H: (STS1/STM0 #9)

Register 01D1H, 05D1H, 09D1H and 0DD1H: (STS1/STM0 #10)

Register 01D9H, 05D9H, 09D9H and 0DD9H: (STS1/STM0 #11)

Register 01E1H, 05E1H, 09E1H and 0DE1H: (STS1/STM0 #12)

Bit	Type	Function	Default
Bit 15	—	Unused	X
Bit 14	—	Unused	X
Bit 13	—	Unused	X
Bit 12	—	Unused	X
Bit 11	—	Unused	X
Bit 10	—	Unused	X
Bit 9	—	Unused	X
Bit 8	—	Unused	X
Bit 7	—	Unused	X
Bit 6	—	Unused	X
Bit 5	R/W	Reserved	0
Bit 4	R/W	Reserved	0
Bit 3	R/W	PAISE	0
Bit 2	R/W	PLOPE	0
Bit 1	—	Unused	X
Bit 0	R/W	PTRJEE	0

The Pointer Interpreter Interrupt Enable Register is provided at RHPP read/write addresses 09H, 11H, 19H, 21H, 29H, 31H, 39H, 41H, 49H, 51H, 59H and 61H.

PTRJEE

The pointer justification event interrupt enable (PTRJEE) bit control the activation of the interrupt output. When PTRJEE is set to logic 1, the NJEI and PJEI pending interrupt will assert the interrupt output. When PTRJEE is set to logic 0, the NJEI and PJEI pending interrupt will not assert the interrupt output.

PLOPE

The path loss of pointer interrupt enable (PLOPE) bit controls the activation of the interrupt output. When PLOPE is set to logic 1, the PLOPI pending interrupt will assert the interrupt output. When PLOPE is set to logic 0, the PLOPI pending interrupt will not assert the interrupt output.

PAISE

The path alarm indication signal interrupt enable (PAISE) bit controls the activation of the interrupt output. When PAISE is set to logic 1, the PAISI pending interrupt will assert the interrupt output. When PAISE is set to logic 0, the PAISI pending interrupt will not assert the interrupt output.

Reserved

The reserved bits must be programmed to their default values for proper operation.

Register 018AH, 058AH, 098AH and 0D8AH: RHPP TU3 Pointer Interpreter Interrupt Status (STS1/STM0 #1)

Register 0192H, 0592H, 0992H and 0D92H: (STS1/STM0 #2)

Register 019AH, 059AH, 099AH and 0D9AH: (STS1/STM0 #3)

Register 01A2H, 05A2H, 09A2H and 0DA2H: (STS1/STM0 #4)

Register 01AAH, 05AAH, 09AAH and 0DAAH: (STS1/STM0 #5)

Register 01B2H, 05B2H, 09B2H and 0DB2H: (STS1/STM0 #6)

Register 01BAH, 05BAH, 09BAH and 0DBAH: (STS1/STM0 #7)

Register 01C2H, 05C2H, 09C2H and 0DC2H: (STS1/STM0 #8)

Register 01CAH, 05CAH, 09CAH and 0DCAH: (STS1/STM0 #9)

Register 01D2H, 05D2H, 09D2H and 0DD2H: (STS1/STM0 #10)

Register 01DAH, 05DAH, 09DAH and 0DDAH: (STS1/STM0 #11)

Register 01E2H, 05E2H, 09E2H and 0DE2H: (STS1/STM0 #12)

Bit	Type	Function	Default
Bit 15	—	Unused	X
Bit 14	—	Unused	X
Bit 13	—	Unused	X
Bit 12	—	Unused	X
Bit 11	—	Unused	X
Bit 10	—	Unused	X
Bit 9	—	Unused	X
Bit 8	—	Unused	X
Bit 7	—	Unused	X
Bit 6	—	Unused	X
Bit 5	R	Reserved	X
Bit 4	R	Reserved	X
Bit 3	R	PAISI	X
Bit 2	R	PLOPI	X
Bit 1	R	PJEI	X
Bit 0	R	NJEI	X

The Pointer Interpreter Interrupt Status Register is provided at RHPP read/write addresses 0AH, 12H, 1AH, 22H, 2AH, 32H, 3AH, 42H, 4AH, 52H, 5AH and 62H.

NJEI

The negative pointer justification event interrupt status (NJEI) bit is an event indicator. NJEI is set to logic 1 to indicate a negative pointer justification event. The interrupt status bit is independent of the interrupt enable bit. NJEI is cleared to logic 0 when this register is read.

PJEI

The positive pointer justification event interrupt status (PJEI) bit is an event indicator. PJEI is set to logic 1 to indicate a positive pointer justification event. The interrupt status bit is independent of the interrupt enable bit. PJEI is cleared to logic 0 when this register is read.

PLOPI

The path loss of pointer interrupt status (PLOPI) bit is an event indicator. PLOPI is set to logic 1 to indicate any change in the status of PLOPV (entry to the LOP_state or exit from the LOP_state). The interrupt status bit is independent of the interrupt enable bit. PLOPI is cleared to logic 0 when this register is read.

PAISI

The path alarm indication signal interrupt status (PAISI) bit is an event indicator. PAISI is set to logic 1 to indicate any change in the status of PAISV (entry to the AIS_state or exit from the AIS_state). The interrupt status bit is independent of the interrupt enable bit. PAISI is cleared to logic 0 when this register is read.

Reserved

The reserved bits must be programmed to their default values for proper operation.

Register 018BH, 058BH, 098BH and 0D8BH: RHPP TU3 Error Monitor Status (STS1/STM0 #1)

Register 0193H, 0593H, 0993H and 0D93H: (STS1/STM0 #2)

Register 019BH, 059BH, 099BH and 0D9BH: (STS1/STM0 #3)

Register 01A3H, 05A3H, 09A3H and 0DA3H: (STS1/STM0 #4)

Register 01ABH, 05ABH, 09ABH and 0DABH: (STS1/STM0 #5)

Register 01B3H, 05B3H, 09B3H and 0DB3H: (STS1/STM0 #6)

Register 01BBH, 05BBH, 09BBH and 0DBBH: (STS1/STM0 #7)

Register 01C3H, 05C3H, 09C3H and 0DC3H: (STS1/STM0 #8)

Register 01CBH, 05CBH, 09CBH and 0DCBH: (STS1/STM0 #9)

Register 01D3H, 05D3H, 09D3H and 0DD3H: (STS1/STM0 #10)

Register 01DBH, 05DBH, 09DBH and 0DDBH: (STS1/STM0 #11)

Register 01E3H, 05E3H, 09E3H and 0DE3H: (STS1/STM0 #12)

Bit	Type	Function	Default
Bit 15	—	Unused	X
Bit 14	—	Unused	X
Bit 13	—	Unused	X
Bit 12	—	Unused	X
Bit 11	—	Unused	X
Bit 10	—	Unused	X
Bit 9	—	Unused	X
Bit 8	—	Unused	X
Bit 7	—	Unused	X
Bit 6	R	PERDIV	X
Bit 5	R	PRDIV	X
Bit 4	R	PPDIV	X
Bit 3	R	PUNEQV	X
Bit 2	R	PPLMV	X
Bit 1	R	PPLUV	X
Bit 0	—	Unused	X

The Error Monitor Status Register is provided at RHPP read/write addresses 0BH, 13H, 1BH, 23H, 2BH, 33H, 3BH, 43H, 4BH, 53H, 5BH and 63H.

Note: The Error Monitor Status bits are ‘don’t care’ for slave timeslots.

PPLUV

The path payload label unstable status (PPLUV) bit indicates the current status of the PLU-P defect.

Algorithm 1: PPLUV is set to logic 0.

Algorithm 2: PPLUV is set to logic 1 when a total of 5 received PSL differs from the previously accepted PSL without any persistent PSL in between. PPLUV is set to logic 0 when a persistent PSL is found. A persistent PSL is found when the same PSL is received for 3 or 5 consecutive frames.

PPLMV

The path payload label mismatch status (PPLMV) bit indicates the current status of the PLM-P defect.

Algorithm 1: PPLMV is set to logic 1 when the received PSL does not match, according to Table 3, the expected PSL for 3 or 5 consecutive frames (selectable with the PSL5 register bit). PPLMV is set to logic 0 when the received PSL matches, according to Table 3, the expected PSL for 3 or 5 consecutive frames.

Algorithm 2: PPLMV is set to logic 1 when the accepted PSL does not match, according to Table 3, the expected PSL. PPLMV is set to logic 0 when the accepted PSL matches, according to Table 3, the expected PSL.

PUNEQV

The path unequipped status (PUNEQV) bit indicates the current status of the UNEQ-P defect.

PUNEQV is set to logic 1 when the received PSL indicates unequipped, according to Table 3, for 3 or 5 consecutive frames (selectable with the PSL5 register bit). An PUNEQV is set to logic 0 when the received PSL indicates not unequipped, according to Table 3, for 3 or 5 consecutive frames.

PPDIV

The path payload defect indication status (PPDIV) bit indicates the current status of the PPDI-P defect.

Algorithm 1: PPDIV is set to logic 1 when the received PSL is a defect, according to Table 3, for 3 or 5 consecutive frames (selectable with the PSL5 register bit). PPDIV is set to logic 0 when the received PSL is not a defect, according to Table 3, for 3 or 5 consecutive frames.

Algorithm 2: PPDIV is set to logic 1 when the accepted PSL is a defect, according to Table 3. PPDIV is set to logic 0 when the accepted PSL is not a defect, according to Table 3.

PRDIV

The path remote defect indication status (PRDIV) bit indicates the current status of the RDI-P defect. PRDIV is set to logic 1 when bit 5 of the G1 byte is set high for five or ten consecutive frames (selectable with the PRDI10 register bit). PRDIV is set to logic 0 when bit 5 of the G1 byte is set low for five or ten consecutive frames.

PERDIV

The path enhanced remote defect indication status (PERDIV) bit indicates the current status of the ERDI-P defect. PERDIV is set to logic 1 when the same 010, 100, 101, 110 or 111 pattern is detected in bits 5, 6 and 7 of the G1 byte for five or ten consecutive frames (selectable with the PRDI10 register bit). PERDIV is set to logic 0 when the same 000, 001 or 011 pattern is detected in bits 5, 6 and 7 of the G1 byte for five or ten consecutive frames.

Register 018CH, 058CH, 098CH and 0D8CH: RHPP TU3 Error Monitor Interrupt Enable (STS1/STM0 #1)

Register 0194H, 0594H, 0994H and 0D94H: (STS1/STM0 #2)

Register 019CH, 059CH, 099CH and 0D9CH: (STS1/STM0 #3)

Register 01A4H, 05A4H, 09A4H and 0DA4H: (STS1/STM0 #4)

Register 01ACH, 05ACH, 09ACH and 0DACH: (STS1/STM0 #5)

Register 01B4H, 05B4H, 09B4H and 0DB4H: (STS1/STM0 #6)

Register 01BCH, 05BCH, 09BCH and 0DBCH: (STS1/STM0 #7)

Register 01C4H, 05C4H, 09C4H and 0DC4H: (STS1/STM0 #8)

Register 01CCH, 05CCH, 09CCH and 0DCCH: (STS1/STM0 #9)

Register 01D4H, 05D4H, 09D4H and 0DD4H: (STS1/STM0 #10)

Register 01DCH, 05DCH, 09DCH and 0DDCH: (STS1/STM0 #11)

Register 01E4H, 05E4H, 09E4H and 0DE4H: (STS1/STM0 #12)

Bit	Type	Function	Default
Bit 15	—	Unused	X
Bit 14	—	Unused	X
Bit 13	—	Unused	X
Bit 12	—	Unused	X
Bit 11	—	Unused	X
Bit 10	—	Unused	X
Bit 9	R/W	PREIEE	0
Bit 8	R/W	PBIPEE	0
Bit 7	R/W	COPERDIE	0
Bit 6	R/W	PERDIE	0
Bit 5	R/W	PRDIE	0
Bit 4	R/W	PPDIE	0
Bit 3	R/W	PUNEQE	0
Bit 2	R/W	PPLME	0
Bit 1	R/W	PPLUE	0
Bit 0	R/W	COPSLE	0

The Error Monitor Interrupt Enable Register is provided at RHPP read/write addresses 0CH, 14H, 1CH, 24H, 2CH, 34H, 3CH, 44H, 4CH, 54H, 5CH and 64H.

COPSLE

The change of path payload signal label interrupt enable (COPSLE) bit controls the activation of the interrupt output. When COPSLE is set to logic 1, the COPSLE pending interrupt will assert the interrupt output. When COPSLE is set to logic 0, the COPSLE pending interrupt will not assert the interrupt output.

PPLUE

The path payload label unstable interrupt enable (PPLUE) bit controls the activation of the interrupt output. When PPLUE is set to logic 1, the PPLUI pending interrupt will assert the interrupt output. When PPLUE is set to logic 0, the PPLUI pending interrupt will not assert the interrupt output.

PPLME

The path payload label mismatch interrupt enable (PPLME) bit controls the activation of the interrupt output. When PPLME is set to logic 1, the PPLMI pending interrupt will assert the interrupt output. When PPLME is set to logic 0, the PPLMI pending interrupt will not assert the interrupt output.

PUNEQE

The path payload unequipped interrupt enable (PUNEQE) bit controls the activation of the interrupt output. When PUNEQE is set to logic 1, the PUNEQI pending interrupt will assert the interrupt output. When PUNEQE is set to logic 0, the PUNEQI pending interrupt will not assert the interrupt output.

PPDIE

The path payload defect indication interrupt enable (PPDIE) bit controls the activation of the interrupt output. When PPDIE is set to logic 1, the PPDI pending interrupt will assert the interrupt output. When PPDIE is set to logic 0, the PPDI pending interrupt will not assert the interrupt output.

PRDIE

The path remote defect indication interrupt enable (PRDIE) bit controls the activation of the interrupt output. When PRDIE is set to logic 1, the PRDII pending interrupt will assert the interrupt output. When PRDIE is set to logic 0, the PRDII pending interrupt will not assert the interrupt output.

PERDIE

The path enhanced remote defect indication interrupt enable (PERDIE) bit controls the activation of the interrupt output. When PERDIE is set to logic 1, the PERDII pending interrupt will assert the interrupt output. When PERDIE is set to logic 0, the PERDII pending interrupt will not assert the interrupt output.

COPERDIE

The change of path enhanced remote defect indication interrupt enable (COPERDIE) bit controls the activation of the interrupt output. When COPERDIE is set to logic 1, the COPERDII pending interrupt will assert the interrupt output. When COPERDIE is set to logic 0, the COPERDII pending interrupt will not assert the interrupt output.

PBIPEE

The path BIP-8 error interrupt enable (PBIPEE) bit controls the activation of the interrupt output. When PBIPEE is set to logic 1, the PBIPEI pending interrupt will assert the interrupt output. When PBIPEE is set to logic 0, the PBIPEI pending interrupt will not assert the interrupt output.

PREIEE

The path REI error interrupt enable (PREIEE) bit controls the activation of the interrupt output. When PREIEE is set to logic 1, the PREIEI pending interrupt will assert the interrupt output. When PREIEE is set to logic 0, the PREIEI pending interrupt will not assert the interrupt output.

Register 018DH, 058DH, 098DH and 0D8DH: RHPP TU3 Error Monitor Interrupt Status (STS1/STM0 #1)

Register 0195H, 0595H, 0995H and 0D95H: (STS1/STM0 #2)

Register 019DH, 059DH, 099DH and 0D9DH: (STS1/STM0 #3)

Register 01A5H, 05A5H, 09A5H and 0DA5H: (STS1/STM0 #4)

Register 01ADH, 05ADH, 09ADH and 0DADH: (STS1/STM0 #5)

Register 01B5H, 05B5H, 09B5H and 0DB5H: (STS1/STM0 #6)

Register 01BDH, 05BDH, 09BDH and 0DBDH: (STS1/STM0 #7)

Register 01C5H, 05C5H, 09C5H and 0DC5H: (STS1/STM0 #8)

Register 01CDH, 05CDH, 09CDH and 0DCDH: (STS1/STM0 #9)

Register 01D5H, 05D5H, 09D5H and 0DD5H: (STS1/STM0 #10)

Register 01DDH, 0D5DH, 09DDH and 0DDD: (STS1/STM0 #11)

Register 01E5H, 05E5H, 09E5H and 0DE5H: (STS1/STM0 #12)

Bit	Type	Function	Default
Bit 15	—	Unused	X
Bit 14	—	Unused	X
Bit 13	—	Unused	X
Bit 12	—	Unused	X
Bit 11	—	Unused	X
Bit 10	—	Unused	X
Bit 9	R	PREIEI	X
Bit 8	R	PBIPEI	X
Bit 7	R	COPERDII	X
Bit 6	R	PERDII	X
Bit 5	R	PRDII	X
Bit 4	R	PPDII	X
Bit 3	R	PUNEQI	X
Bit 2	R	PPLMI	X
Bit 1	R	PPLUI	X
Bit 0	R	COPSLI	X

The Error Monitor Interrupt Status Register is provided at RHPP read/write addresses 0DH, 15H, 1DH, 25H, 2DH, 35H, 3DH, 45H, 4DH, 55H, 5DH and 65H.

COPSLI

The change of path payload signal label interrupt status (COPSLI) bit is an event indicator. COPSLI is set to logic 1 to indicate a new PSL-P value. The interrupt status bit is independent of the interrupt enable bit. COPSLI is cleared to logic 0 when this register is read. ALGO2 register bit has no effect on COPSLI.

PPLUI

The path payload label unstable interrupt status (PPLUI) bit is an event indicator. PPLUI is set to logic 1 to indicate any change in the status of PPLUV (stable to unstable or unstable to stable). The interrupt status bit is independent of the interrupt enable bit. PPLUI is cleared to logic 0 when this register is read.

PPLMI

The path payload label mismatch interrupt status (PPLMI) bit is an event indicator. PPLMI is set to logic 1 to indicate any change in the status of PPLMV (match to mismatch or mismatch to match). The interrupt status bit is independent of the interrupt enable bit. PPLMI is cleared to logic 0 when this register is read.

PUNEQI

The path payload unequipped interrupt status (PUNEQI) bit is an event indicator. PUNEQI is set to logic 1 to indicate any change in the status of PUNEQV (equipped to unequipped or unequipped to equipped). The interrupt status bit is independent of the interrupt enable bit. PUNEQI is cleared to logic 0 when this register is read.

PPDII

The path payload defect indication interrupt status (PPDII) bit is an event indicator. PPDII is set to logic 1 to indicate any change in the status of PPDIV (no defect to payload defect or payload defect to no defect). The interrupt status bit is independent of the interrupt enable bit. PPDII is cleared to logic 0 when this register is read.

PRDII

The path remote defect indication interrupt status (PRDII) bit is an event indicator. PRDII is set to logic 1 to indicate any change in the status of PRDIV (no defect to RDI defect or RDI defect to no defect). The interrupt status bit is independent of the interrupt enable bit. PRDII is cleared to logic 0 when this register is read.

PERDII

The path enhanced remote defect indication interrupt status (PERDII) bit is an event indicator. PERDII is set to logic 1 to indicate any change in the status of PERDIV (no defect to ERDI defect or ERDI defect to no defect). The interrupt status bit is independent of the interrupt enable bit. PERDII is cleared to logic 0 when this register is read.

COPERDII

The change of path enhanced remote defect indication interrupt status (COPERDII) bit is an event indicator. COPERDII is set to logic 1 to indicate a new ERDI-P value. The interrupt status bit is independent of the interrupt enable bit. COPERDII is cleared to logic 0 when this register is read.

PBIPEI

The path BIP-8 error interrupt status (PBIPEI) bit is an event indicator. PBIPEI is set to logic 1 to indicate a path BIP-8 error. The interrupt status bit is independent of the interrupt enable bit. PBIPEI is cleared to logic 0 when this register is read.

PREIEI

The path REI error interrupt status (PREIEI) bit is an event indicator. PREIEI is set to logic 1 to indicate a path REI error. The interrupt status bit is independent of the interrupt enable bit. PREIEI is cleared to logic 0 when this register is read.

Indirect Register 00H: RHPP TU3 Pointer Interpreter Configuration

Bit	Type	Function	Default
Bit 15	—	Unused	X
Bit 14	—	Unused	X
Bit 13	—	Unused	X
Bit 12	—	Unused	X
Bit 11	—	Unused	X
Bit 10	—	Unused	X
Bit 9	—	Unused	X
Bit 8	—	Unused	X
Bit 7	R/W	Reserved	0
Bit 6	R/W	Reserved	0
Bit 5	R/W	NDFCNT	0
Bit 4	R/W	INVCNT	0
Bit 3	R/W	RELAYPAIS	0
Bit 2	R/W	JUST3DIS	0
Bit 1	R/W	SSEN	0
Bit 0	—	Unused	X

The Pointer Interpreter Configuration Indirect Register is provided at RHPP read/write indirect address 00H.

SSEN

The SS bits enable (SSEN) bit selects whether or not the SS bits are taking into account in the pointer interpreter state machine. When SSEN is set to logic 1, the SS bits must be set to 10 for a valid NORM_POINT, NDF_ENABLE, INC_IND, DEC_IND or NEW_POINT indication. When SSEN is set to logic 0, the SS bits are ignored.

JUST3DIS

The “justification more than 3 frames ago disable” (JUST3DIS) bit selects whether or not the INC_IND or DEC_IND pointer justifications must be more than 3 frames apart to be considered valid. When JUST3DIS is set to logic 0, the previous NDF_ENABLE, INC_IND or DEC_IND indication must be more than 3 frames ago or the present INC_IND or DEC_IND indication is considered an INV_POINT indication. NDF_ENABLE indications can be every frame regardless of the JUST3DIS bit. When JUST3DIS is set to logic 1, INC_IND or DEC_IND indication can be every frame.

RELAYPAIS

The relay path AIS (RELAYPAIS) bit selects the condition to enter the path AIS state in the pointer interpreter state machine. When RELAYPAIS is set to logic 1, the path AIS state is entered with 1 X AIS_ind indication. When RELAYPAIS is set to logic 0, the path AIS state is entered with 3 X AIS_ind indications. This configuration bit also affects the concatenation pointer interpreter state machine.

INVCNT

The invalid counter (INVCNT) bit selects the behavior of the consecutive INV_POINT event counter in the pointer interpreter state machine. When INVCNT is set to logic 1, the consecutive INV_POINT event counter is reset by 3 EQ_NEW_POINT indications. When INVCNT is set to logic 0, the counter is not reset by 3 EQ_NEW_POINT indications.

NDFCNT

The new data flag counter (NDFCNT) bit selects the behavior of the consecutive NDF_ENABLE event counter in the pointer interpreter state machine. When NDFCNT is set to logic 1, the NDF_ENABLE definition is enabled NDF + SS. When NDFCNT is set to logic 0, the NDF_ENABLE definition is enabled NDF + SS + offset value in the range 0 to 782 (764 in TU-3 mode). This configuration bit only changes the NDF_ENABLE definition for the consecutive NDF_ENABLE even counter to count towards LOP-P defect when the pointer is out of range, this configuration bit does not change the NDF_ENABLE definition for pointer justification.

Reserved

The reserved bits must be programmed to their default values for proper operation.

Indirect Register 01H: RHPP TU3 Error Monitor Configuration

Bit	Type	Function	Default
Bit 15	—	Unused	X
Bit 14	—	Unused	X
Bit 13	—	Unused	X
Bit 12	—	Unused	X
Bit 11	R/W	B3EONRPOH	0
Bit 10	R/W	IPREIBLK	0
Bit 9	R/W	IBER	0
Bit 8	R/W	PREIBLKACC	0
Bit 7	R/W	B3EBLK	0
Bit 6	R/W	PBIPEBLKREI	0
Bit 5	R/W	PBIPEBLKACC	0
Bit 4	R/W	FSBIPDIS	0
Bit 3	R/W	PRDI10	0
Bit 2	R/W	PLMEND	0
Bit 1	R/W	PSL5	0
Bit 0	R/W	ALGO2	0

The Error Monitor Configuration Indirect Register is provided at RHPP read/write indirect address 01H.

ALGO2

The payload signal label algorithm 2 (ALGO2) bit selects the algorithm for the PSL monitoring. When ALGO2 is set to logic 1, the ITU compliant algorithm is (algorithm 2) is used to monitor the PSL. When ALGO2 is set to logic 0, the BELLCORE compliant algorithm (algorithm 1) is used to monitor the PSL. ALGO2 changes the PLU-P, PLM-P and PDI-P defect definitions but has no effect on UNEQ-P defect, accepted PSL and change of PSL definitions

PSL5

The payload signal label detection (PSL5) bit selects the path PSL persistence. When PSL5 is set to logic 1, a new PSL is accepted when the same PSL value is detected in the C2 byte for five consecutive frames. When PSL5 is set to logic 0, a new PSL is accepted when the same PSL value is detected in the C2 byte for three consecutive frames.

PLMEND

The payload label mismatch removal (PLMEND) bit controls the removal of a PLM-P defect when an UNEQ-P defect is declared. When PLMEND is set to logic 1, a PLM-P defect is terminated when an UNEQ-P defect is declared. When PLMEND is set to logic 0, a PLM-P defect is not terminated when an UNEQ-P defect is declared.

PRDI10

The path remote defect indication detection (PRDI10) bit selects the path RDI and path ERDI persistence. When PRDI10 is set to logic 1, path RDI and path ERDI are accepted when the same pattern is detected in bits 5,6,7 of the G1 byte for ten consecutive frames. When PRDI10 is set to logic 0, path RDI and path ERDI are accepted when the same pattern is detected in bits 5,6,7 of the G1 byte for five consecutive frames.

FSBIPDIS

The disable fixed stuff columns during BIP-8 calculation (FSBIPDIS) bit controls the path BIP-8 calculation for an STS-1 (VC-3) payload. When FSBIPDIS is set to logic 1, the fixed stuff columns are not part of the BIP-8 calculation when processing an STS-1 (VC-3) payload. When FSBIPDIS is set to logic 0, the fixed stuff columns are part of the BIP-8 calculation when processing an STS-1 (VC-3) payload.

PBIPEBLKACC

The path block BIP-8 errors accumulation (PBIPEBLKACC) bit controls the accumulation of path BIP-8 errors. When PBIPEBLKACC is set to logic 1, the path BIP-8 error accumulation represents block BIP-8 errors (a maximum of 1 error per frame). When PBIPEBLKACC is set to logic 0, the path BIP-8 error accumulation represents BIP-8 errors (a maximum of 8 errors per frame).

PBIPEBLKREI

The path block BIP-8 errors (PBIPEBLKREI) bit controls the path REI errors returned to the TU3 THPP. When PBIPEBLKREI is set to logic 1, the path REI is updated with block BIP-8 errors (a maximum of 1 error per frame). When PBIPEBLKREI is set to logic 0, the path REI is updated with BIP-8 errors (a maximum of 8 errors per frame).

B3EBLK

The serial path block BIP-8 errors (B3EBLK) bit controls the indication of path BIP-8 errors on the B3E serial output. When B3EBLK is set to logic 1, B3E outputs block BIP-8 errors (a maximum of 1 error per frame). When B3EBLK is set to logic 0, B3E outputs BIP-8 errors (a maximum of 8 errors per frame).

PREIBLKACC

The path block REI errors accumulation (PREIBLKACC) bit controls the accumulation of path REI errors from the path status (G1) byte. When PREIBLK is set to logic 1, the extracted path REI errors are interpreted as block BIP-8 errors (a maximum of 1 error per frame). When PREIBLK is set to logic 0, the extracted path REI errors are interpret as BIP-8 errors (a maximum of 8 errors per frame).

IBER

The in-band error reporting (IBER) bit controls the in-band regeneration of the path status (G1) byte. When IBER is set to logic 1, the path status byte is updated with the REI-P and the ERDI-P defects that must be returned to the far end. When IBER is set to logic 0, the path status byte is not altered.

IPREIBLK

The in-band path REI block errors (IPREIBLK) bit controls the regeneration of the path REI errors in the path status (G1) byte. When IPREIBLK is set to logic 1, the path REI is updated with block BIP-8 errors (a maximum of 1 error per frame). When IPREIBLK is set to logic 0, the path REI is updated with BIP-8 errors (a maximum of 8 errors per frame).

B3EONRPOH

The B3EONRPOH bit controls the data presented on the RPOH ports. When set to logic 0, the received B3 byte is placed on the RPOH port. When set to logic 1, the B3 error count is placed on the RPOH port as placed on the B3E port.

Indirect Register 02H: RHPP TU3 Pointer Value and ERDI

Bit	Type	Function	Default
Bit 15	R	PERDIV[2]	X
Bit 14	R	PERDIV[1]	X
Bit 13	R	PERDIV[0]	X
Bit 12	—	Unused	X
Bit 11	R	SSV[1]	X
Bit 10	R	SSV[0]	X
Bit 9	R	PTRV[9]	X
Bit 8	R	PTRV[8]	X
Bit 7	R	PTRV[7]	X
Bit 6	R	PTRV[6]	X
Bit 5	R	PTRV[5]	X
Bit 4	R	PTRV[4]	X
Bit 3	R	PTRV[3]	X
Bit 2	R	PTRV[2]	X
Bit 1	R	PTRV[1]	X
Bit 0	R	PTRV[0]	X

The Pointer Value Indirect Register is provided at RHPP read/write address 02H.

PTRV[9:0]

The path pointer value (PTRV[9:0]) bits represent the current STS (AU or TU3) pointer being process by the pointer interpreter state machine or by the concatenation pointer interpreter state machine.

SSV[1:0]

The SS value (SSV[1:0]) bits represent the current SS (DD) bits being processed by the pointer interpreter state machine or by the concatenation pointer interpreter state machine.

PERDIV[2:0]

The path enhanced remote defect indication value (PERDIV[2:0]) bits represent the filtered path enhanced remote defect indication value. PERDIV[2:0] is updated when the same ERDI pattern is detected in bits 5,6,7 of the G1 byte for five or ten consecutive frames (selectable with the PRDI10 register bit).

Indirect Register 03H: RHPP TU3 captured and accepted PSL

Bit	Type	Function	Default
Bit 15	R	CPSLV[7]	X
Bit 14	R	CPSLV[6]	X
Bit 13	R	CPSLV[5]	X
Bit 12	R	CPSLV[4]	X
Bit 11	R	CPSLV[3]	X
Bit 10	R	CPSLV[2]	X
Bit 9	R	CPSLV[1]	X
Bit 8	R	CPSLV[0]	X
Bit 7	R	APSLV[7]	X
Bit 6	R	APSLV[6]	X
Bit 5	R	APSLV[5]	X
Bit 4	R	APSLV[4]	X
Bit 3	R	APSLV[3]	X
Bit 2	R	APSLV[2]	X
Bit 1	R	APSLV[1]	X
Bit 0	R	APSLV[0]	X

The Accepted PSL and ERDI Indirect Register is provided at RHPP read/write address 03H.

APSLV[7:0]

The accepted path signal label value (APSLV[7:0]) bits represent the last accepted path signal label value. A new PSL is accepted when the same PSL value is detected in the C2 byte for three or five consecutive frames. (selectable with the PSL5 register bit).

CPSLV[7:0]

The captured path signal label value (CPSLV[7:0]) bits represent the last captured path signal label value. A new PSL is captured every frame from the C2 byte.

Indirect Register 04H: RHPP TU3 Expected PSL and PDI

Bit	Type	Function	Default
Bit 15	—	Unused	X
Bit 14	—	Unused	X
Bit 13	R/W	PDIRANGE	0
Bit 12	R/W	PDI[4]	0
Bit 11	R/W	PDI[3]	0
Bit 10	R/W	PDI[2]	0
Bit 9	R/W	PDI[1]	0
Bit 8	R/W	PDI[0]	0
Bit 7	R/W	EPSL[7]	0
Bit 6	R/W	EPSL[6]	0
Bit 5	R/W	EPSL[5]	0
Bit 4	R/W	EPSL[4]	0
Bit 3	R/W	EPSL[3]	0
Bit 2	R/W	EPSL[2]	0
Bit 1	R/W	EPSL[1]	0
Bit 0	R/W	EPSL[0]	0

The Expected PSL and PDI Indirect Register is provided at RHPP read/write indirect address 04H.

EPSL[7:0]

The expected path signal label (EPSL[7:0]) bits represent the expected path signal label. The expected PSL and the expected PDI validate the received or the accepted PSL to declare PLM-P, UNEQ-P and PDI-P defects according Table 3.

PDI[4:0], PDIRANGE

The payload defect indication (PDI[4:0]) bits and the payload defect indication range (PDIRANGE) bit determine the expected payload defect indication according to Table 4. When PDIRANGE is set to logic 1, the PDI range is enabled and the expected PDI range is from E1H to E0H+PDI[4:0]. When PDIRANGE is set to logic 0, the PDI range is disabled and the expected PDI value is E0H+PDI[4:0]. The expected PSL and the expected PDI validate the received or the accepted PSL to declare PLM-P, UNEQ-P and PDI-P defects according Table 3.

Indirect Register 05H: RHPP TU3 Pointer Interpreter status

Bit	Type	Function	Default
Bit 15	—	Unused	X
Bit 14	—	Unused	X
Bit 13	—	Unused	X
Bit 12	—	Unused	X
Bit 11	—	Unused	X
Bit 10	—	Unused	X
Bit 9	—	Unused	X
Bit 8	—	Unused	X
Bit 7	—	Unused	X
Bit 6	R	NDF	X
Bit 5	R	ILLPTR	X
Bit 4	R	INVNDF	X
Bit 3	R	DISCOPA	X
Bit 2	R	CONCAT	X
Bit 1	R	ILLJREQ	X
Bit 0	—	Unused	X

The Pointer Interpreter Status Indirect Register is provided at RHPP read/write indirect address 05H.

Note: The Pointer Interpreter Status bits are ‘don’t care’ for slave timeslots.

ILLJREQ

The illegal pointer justification request (ILLJREQ) signal is set high when a positive and/or negative pointer adjustment is received within three frames of a pointer justification event (inc_ind, dec_ind) or an NDF triggered active offset adjustment (NDF_enable).

CONCAT

The CONCAT bit is set high if the H1 and H2 pointer bytes received match the concatenation indication (one of the five NDF_enable patterns in the NDF field, don't care in the size field, and all-ones in the pointer offset field).

DISCOPA

The discontinuous change of pointer alignment (DISCOPA) signal is set high when there is a pointer adjustment due to receiving a pointer repeated three times.

INVNDF

The invalid new data flag (INVNDF) signal is set high when an invalid NDF code is received.

ILLPTR

The illegal pointer offset (ILLPTR) signal is set high when the pointer received is out of the range even when it indicates a legal justification. Legal values are from 0 to 782 (764 in TU3 mode). Pointer justification requests (inc_req, dec_req) and AIS indications (AIS_ind) are not considered illegal.

NDF

The new data flag (NDF) signal is set high when an enabled New Data Flag is received indicating a pointer adjustment (NDF_enabled indication).

Indirect Register 06H: RHPP TU3 Path BIP Error Counter

Bit	Type	Function	Default
Bit 15	R	PBIPE[15]	X
Bit 14	R	PBIPE[14]	X
Bit 13	R	PBIPE[13]	X
Bit 12	R	PBIPE[12]	X
Bit 11	R	PBIPE[11]	X
Bit 10	R	PBIPE[10]	X
Bit 9	R	PBIPE[9]	X
Bit 8	R	PBIPE[8]	X
Bit 7	R	PBIPE[7]	X
Bit 6	R	PBIPE[6]	X
Bit 5	R	PBIPE[5]	X
Bit 4	R	PBIPE[4]	X
Bit 3	R	PBIPE[3]	X
Bit 2	R	PBIPE[2]	X
Bit 1	R	PBIPE[1]	X
Bit 0	R	PBIPE[0]	X

The RHPP Path BIP Error Counter register is provided at RHPP read/write indirect address 06H.

PBIPE[15:0]

The path BIP error (PBIPE[15:0]) bits represent the number of path BIP errors that have been detected in the B3 byte since the last accumulation interval. The error counters are transferred to the holding registers by a microprocessor write to the RHPP Counters Update register.

Indirect Register 07H: RHPP TU3 Path REI Error Counter

Bit	Type	Function	Default
Bit 15	R	PREIE[15]	X
Bit 14	R	PREIE[14]	X
Bit 13	R	PREIE[13]	X
Bit 12	R	PREIE[12]	X
Bit 11	R	PREIE[11]	X
Bit 10	R	PREIE[10]	X
Bit 9	R	PREIE[9]	X
Bit 8	R	PREIE[8]	X
Bit 7	R	PREIE[7]	X
Bit 6	R	PREIE[6]	X
Bit 5	R	PREIE[5]	X
Bit 4	R	PREIE[4]	X
Bit 3	R	PREIE[3]	X
Bit 2	R	PREIE[2]	X
Bit 1	R	PREIE[1]	X
Bit 0	R	PREIE[0]	X

The RHPP Path BIP Error Counter register is provided at RHPP read/write indirect address 07H.

PREIE[15:0]

The path REI error (PREIE[15:0]) bits represent the number of path REI errors that have been extracted from the G1 byte since the last accumulation interval. The error counters are transferred to the holding registers by a microprocessor write to the RHPP Counters Update register.

Indirect Register 08H: RHPP TU3 Path Negative Justification Event Counter

Bit	Type	Function	Default
Bit 15	—	Unused	X
Bit 14	—	Unused	X
Bit 13	—	Unused	X
Bit 12	R	PNJE[12]	X
Bit 11	R	PNJE[11]	X
Bit 10	R	PNJE[10]	X
Bit 9	R	PNJE[9]	X
Bit 8	R	PNJE[8]	X
Bit 7	R	PNJE[7]	X
Bit 6	R	PNJE[6]	X
Bit 5	R	PNJE[5]	X
Bit 4	R	PNJE[4]	X
Bit 3	R	PNJE[3]	X
Bit 2	R	PNJE[2]	X
Bit 1	R	PNJE[1]	X
Bit 0	R	PNJE[0]	X

The RHPP Path Negative Justification Event Counter register is provided at RHPP read/write indirect address 08H.

PNJE[12:0]

The Path Negative Justification Event (PNJE[12:0]) bits represent the number of Path Negative Justification Events that have occurred since the last accumulation interval. The event counters are transferred to the holding registers by a microprocessor write to RHPP Counters Update register.

Indirect Register 09H: RHPP TU3 Path Positive Justification Event Counter

Bit	Type	Function	Default
Bit 15	—	Unused	X
Bit 14	—	Unused	X
Bit 13	—	Unused	X
Bit 12	R	PPJE[12]	X
Bit 11	R	PPJE[11]	X
Bit 10	R	PPJE[10]	X
Bit 9	R	PPJE[9]	X
Bit 8	R	PPJE[8]	X
Bit 7	R	PPJE[7]	X
Bit 6	R	PPJE[6]	X
Bit 5	R	PPJE[5]	X
Bit 4	R	PPJE[4]	X
Bit 3	R	PPJE[3]	X
Bit 2	R	PPJE[2]	X
Bit 1	R	PPJE[1]	X
Bit 0	R	PPJE[0]	X

The RHPP Path Positive Justification Event Counter register is provided at RHPP read/write indirect address 09H.

PPJE[12:0]

The Path Positive Justification Event (PPJE[12:0]) bits represent the number of Path Positive Justification Events that have occurred since the last accumulation interval. The event counters are transferred to the holding registers by a microprocessor write to RHPP Counters Update register.

Register 0200H, 0600H, 0A00H, and 0E00H: RSVCA Indirect Address

Bit	Type	Function	Default
Bit 15	R	BUSY	X
Bit 14	R/W	RWB	0
Bit 13	—	Unused	X
Bit 12	—	Unused	X
Bit 11	—	Unused	X
Bit 10	—	Unused	X
Bit 9	—	Unused	X
Bit 8	—	Unused	X
Bit 7	R/W	IADDR[1]	0
Bit 6	R/W	IADDR[0]	0
Bit 5	—	Unused	X
Bit 4	—	Unused	X
Bit 3	R/W	PATH[3]	0
Bit 2	R/W	PATH[2]	0
Bit 1	R/W	PATH[1]	0
Bit 0	R/W	PATH[0]	0

The Indirect Address register is provided at RSVCA read/write address 0200H, 0600H, 0A00H, and 0E00H.

PATH[3:0]

The STS-1/STM-0 path (PATH[3:0]) bits select which STS-1/STM-0 path is accessed by the current indirect transfer. Some indirect registers are valid only when the PATH[3:0] have certain values.

PATH[3:0]	STS-1/STM-0 path #
0000	Invalid path
0001-1100	Path #1 to Path #12
1101-1111	Invalid path

IADDR[1:0]

The indirect address location (ADDR[1:0]) bits select which address location is accessed by the current indirect transfer.

IADDR[1:0]	Indirect Register
00	RSVCA Outgoing Positive Justification Performance Monitor
01	RSVCA Outgoing Negative Justification Performance Monitor
10	RSVCA Diagnostic/Configuration Register
11	Reserved

RWB

The active high read and active low write (RWB) bit selects if the current access to the internal RAM is an indirect read or an indirect write. Writing to the Indirect Address Register initiates an access to the internal RAM. When RWB is set to logic 1, an indirect read access to the RAM is initiated. The data from the addressed location in the internal RAM will be transferred to the Indirect Data Register. When RWB is set to logic 0, an indirect write access to the RAM is initiated. The data from the Indirect Data Register will be transferred to the addressed location in the internal RAM.

BUSY

The active high RAM busy (BUSY) bit reports if a previously initiated indirect access to the internal RAM has been completed. BUSY is set to logic 1 upon writing to the Indirect Address Register. BUSY is set to logic 0, upon completion of the RAM access. This register should be polled to determine when new data is available in the Indirect Data Register.

Register 0201H, 0601H, 0A01H, and 0E01H: RSVCA Indirect Data

Bit	Type	Function	Default
Bit 15	R/W	DATA[15]	0
Bit 14	R/W	DATA[14]	0
Bit 13	R/W	DATA[13]	0
Bit 12	R/W	DATA[12]	0
Bit 11	R/W	DATA[11]	0
Bit 10	R/W	DATA[10]	0
Bit 9	R/W	DATA[9]	0
Bit 8	R/W	DATA[8]	0
Bit 7	R/W	DATA[7]	0
Bit 6	R/W	DATA[6]	0
Bit 5	R/W	DATA[5]	0
Bit 4	R/W	DATA[4]	0
Bit 3	R/W	DATA[3]	0
Bit 2	R/W	DATA[2]	0
Bit 1	R/W	DATA[1]	0
Bit 0	R/W	DATA[0]	0

The Indirect Data Register is provided at RSVCA read/write address 0201H, 0601H, 0A01H, and 0E01H.

DATA[15:0]

The indirect access data (DATA[15:0]) bits hold the data transfer to or from the internal RAM during indirect access. When RWB is set to logic 1 (indirect read), the data from the addressed location in the internal RAM will be transferred to DATA[15:0]. BUSY should be polled to determine when the new data is available in DATA[15:0]. When RWB is set to logic 0 (indirect write), the data from DATA[15:0] will be transferred to the addressed location in the internal RAM. The indirect Data register must contain valid data before the indirect write is initiated by writing to the Indirect Address Register.

DATA[15:0] has a different meaning depending on which address of the internal RAM is being accessed.

Register 0202H, 0602H, 0A02H, and 0E02H: RSVCA Payload Configuration

Bit	Type	Function	Default
Bit 15	R/W	STS12CSL	0
Bit 14	R/W	STS12C	0
Bit 13	—	Unused	X
Bit 12	—	Unused	X
Bit 11	—	Unused	X
Bit 10	—	Unused	X
Bit 9	—	Unused	X
Bit 8	—	Unused	X
Bit 7	R/W	TUG3[4]	0
Bit 6	R/W	TUG3[3]	0
Bit 5	R/W	TUG3[2]	0
Bit 4	R/W	TUG3[1]	0
Bit 3	R/W	STS3C[4]	0
Bit 2	R/W	STS3C[3]	0
Bit 1	R/W	STS3C[2]	0
Bit 0	R/W	STS3C[1]	0

The Payload Configuration Register is provided at RSVCA read/write address 0202H, 0602H, 0A02H, and 0E02H. Note: Reference the Operations section when configuring SONET/SDH payload from a concatenated stream to a channelized stream .

STS3C[1]

The STS-3c (VC-4) payload configuration (STS3C[1]) bit selects the payload configuration. When STS3C[1] is set to logic 1, the STS-1/STM-0 paths #1, #5 and #9 are part of an STS-3c (VC-4) payload. When STS3C[1] is set to logic 0, the paths are STS-1 (VC-3) payloads. When STS12C is set to logic 1, STS3C[1] must be set to logic 0. When TUG3[1] is set to logic 1, STS3C[1] must be set to logic 0.

STS3C[2]

The STS-3c (VC-4) payload configuration (STS3C[2]) bit selects the payload configuration. When STS3C[2] is set to logic 1, the STS-1/STM-0 paths #2, #6 and #10 are part of an STS-3c (VC-4) payload. When STS3C[2] is set to logic 0, the paths are STS-1 (VC-3) payloads. When STS12C is set to logic 1, STS3C[2] must be set to logic 0. When TUG3[2] is set to logic 1, STS3C[2] must be set to logic 0.

STS3C[3]

The STS-3c (VC-4) payload configuration (STS3C[3]) bit selects the payload configuration. When STS3C[3] is set to logic 1, the STS-1/STM-0 paths #3, #7 and #11 are part of an STS-3c (VC-4) payload. When STS3C[3] is set to logic 0, the paths are STS-1 (VC-3) payloads. When STS12C is set to logic 1, STS3C[3] must be set to logic 0. When TUG3[3] is set to logic 1, STS3C[3] must be set to logic 0.

STS3C[4]

The STS-3c (VC-4) payload configuration (STS3C[4]) bit selects the payload configuration. When STS3C[4] is set to logic 1, the STS-1/STM-0 paths #4, #8 and #12 are part of an STS-3c (VC-4) payload. When STS3C[4] is set to logic 0, the paths are STS-1 (VC-3) payloads. When STS12C is set to logic 1, STS3C[4] must be set to logic 0. When TUG3[4] is set to logic 1, STS3C[4] must be set to logic 0.

TUG3[1]

The TUG3 payload configuration (TUG3[1]) bit selects the payload configuration. When TUG3[1] is set to logic 1, the STS-1/STM-0 paths #1, #5 and #9 are part of a TUG3 payload. When TUG3[1] is set to logic 0, the paths are not part of a TUG3 payload. When STS12C is set to logic 1, TUG3[1] must be set to logic 0. When STS3C[1] is set to logic 1, TUG3[1] must be set to logic 0.

TUG3[2]

The TUG3 payload configuration (TUG3[2]) bit selects the payload configuration. When TUG3[2] is set to logic 1, the STS-1/STM-0 paths #2, #6 and #10 are part of a TUG3 payload. When TUG3[2] is set to logic 0, the paths are not part of a TUG3 payload. When STS12C is set to logic 1, TUG3[2] must be set to logic 0. When STS3C[2] is set to logic 1, TUG3[2] must be set to logic 0.

TUG3[3]

The TUG3 payload configuration (TUG3[3]) bit selects the payload configuration. When TUG3[3] is set to logic 1, the STS-1/STM-0 paths #3, #7 and #11 are part of a TUG3 payload. When TUG3[3] is set to logic 0, the paths are not part of a TUG3 payload. When STS12C is set to logic 1, TUG3[3] must be set to logic 0. When STS3C[3] is set to logic 1, TUG3[3] must be set to logic 0.

TUG3[4]

The TUG3 payload configuration (TUG3[4]) bit selects the payload configuration. When TUG3[4] is set to logic 1, the STS-1/STM-0 paths #4, #8 and #12 are part of a TUG3 payload. When TUG3[4] is set to logic 0, the paths are not part of a TUG3 payload. When STS12C is set to logic 1, TUG3[4] must be set to logic 0. When STS3C[4] is set to logic 1, TUG3[4] must be set to logic 0.

STS12C

The STS-12c (VC-4-4c) payload configuration (STS12C) bit selects the payload configuration. When STS12C is set to logic 1, the STS-1/STM-0 paths #1 to #12 are part of an STS-12c (VC-4-4c) payload. When STS12C is set to logic 0, the STS-1/STM-0 paths are defined with the STS3C[1:4] register bit.

STS12CSL

The slave STS-12c (VC-4-4c) payload configuration (STS12CSL) bit selects the slave payload configuration. When STS12CSL is set to logic 1, the STS-1/STM-0 paths #1 to #12 are part of an STS-12c (VC-4-4c) slave payload. When STS12CSL is set to logic 0, the STS-1/STM-0 paths #1 to #12 are part of an STS-12c (VC-4-4c) master payload. When STS12C is set to logic 0, STS12CSL must be set to logic 0.

Register 0203H, 0603H, 0A03H, and 0E03H: RSVCA Positive Pointer Justification Interrupt Status

Bit	Type	Function	Default
Bit 15	—	Unused	X
Bit 14	—	Unused	X
Bit 13	—	Unused	X
Bit 12	—	Unused	X
Bit 11	R	PPJI[12]	0
Bit 10	R	PPJI[11]	0
Bit 9	R	PPJI[10]	0
Bit 8	R	PPJI[9]	0
Bit 7	R	PPJI[8]	0
Bit 6	R	PPJI[7]	0
Bit 5	R	PPJI[6]	0
Bit 4	R	PPJI[5]	0
Bit 3	R	PPJI[4]	0
Bit 2	R	PPJI[3]	0
Bit 1	R	PPJI[2]	0
Bit 0	R	PPJI[1]	0

The Positive Pointer Justification Interrupt Status Register is provided at RSVCA read/write address 0203H, 0603H, 0A03H, and 0E03H.

PPJI[12:1]

The positive pointer justification interrupt status (PPJI[12:1]) bits are event indicators for STS-1/STM-0 paths #1 to #12. PPJI[12:1] are set to logic 1 to indicate a positive pointer justification event in the outgoing data stream. These interrupt status bits are independent of the interrupt enable bits. PPJI[12:1] are cleared to logic 0 when this register is read.

Register 0204H, 0604H, 0A04H, and 0E04H: RSVCA Negative Pointer Justification Interrupt Status

Bit	Type	Function	Default
Bit 15	—	Unused	X
Bit 14	—	Unused	X
Bit 13	—	Unused	X
Bit 12	—	Unused	X
Bit 11	R	NPJI[12]	0
Bit 10	R	NPJI[11]	0
Bit 9	R	NPJI[10]	0
Bit 8	R	NPJI[9]	0
Bit 7	R	NPJI[8]	0
Bit 6	R	NPJI[7]	0
Bit 5	R	NPJI[6]	0
Bit 4	R	NPJI[5]	0
Bit 3	R	NPJI[4]	0
Bit 2	R	NPJI[3]	0
Bit 1	R	NPJI[2]	0
Bit 0	R	NPJI[1]	0

The Negative Pointer Justification Interrupt Status Register is provided at RSVCA read/write address 0204H, 0604H, 0A04H, and 0E04H.

NPJI[12:1]

The negative pointer justification interrupt status (NPJI[12:1]) bits are event indicators for STS-1/STM-0 paths #1 to #12. NPJI[12:1] are set to logic 1 to indicate a negative pointer justification event in the outgoing data stream. These interrupt status bits are independent of the interrupt enable bits. NPJI[12:1] are cleared to logic 0 when this register is read.

Register 0205H, 0605H, 0A05H, and 0E05H: RSVCA FIFO Overflow Interrupt Status

Bit	Type	Function	Default
Bit 15	—	Unused	X
Bit 14	—	Unused	X
Bit 13	—	Unused	X
Bit 12	—	Unused	X
Bit 11	R	FOVRI[12]	0
Bit 10	R	FOVRI[11]	0
Bit 9	R	FOVRI[10]	0
Bit 8	R	FOVRI[9]	0
Bit 7	R	FOVRI[8]	0
Bit 6	R	FOVRI[7]	0
Bit 5	R	FOVRI[6]	0
Bit 4	R	FOVRI[5]	0
Bit 3	R	FOVRI[4]	0
Bit 2	R	FOVRI[3]	0
Bit 1	R	FOVRI[2]	0
Bit 0	R	FOVRI[1]	0

The FIFO overflow Event Interrupt Status Register is provided at RSVCA read/write address 0205H, 0605H, 0A05H, and 0E05H.

FOVRI[12:1]

The FIFO overflow event interrupt status (FOVRI[12:1]) bits are event indicators for STS-1/STM-0 paths #1 to #12. FOVRI[12:1] are set to logic 1 to indicate a FIFO overflow event. These interrupt status bits are independent of the interrupt enable bits. FOVRI[12:1] are cleared to logic 0 when this register is read.

Register 0206H, 0606H, 0A06H, and 0E06H: RSVCA FIFO Underflow Interrupt Status

Bit	Type	Function	Default
Bit 15	—	Unused	X
Bit 14	—	Unused	X
Bit 13	—	Unused	X
Bit 12	—	Unused	X
Bit 11	R	FUDRI[12]	0
Bit 10	R	FUDRI[11]	0
Bit 9	R	FUDRI[10]	0
Bit 8	R	FUDRI[9]	0
Bit 7	R	FUDRI[8]	0
Bit 6	R	FUDRI[7]	0
Bit 5	R	FUDRI[6]	0
Bit 4	R	FUDRI[5]	0
Bit 3	R	FUDRI[4]	0
Bit 2	R	FUDRI[3]	0
Bit 1	R	FUDRI[2]	0
Bit 0	R	FUDRI[1]	0

The FIFO underflow Event Interrupt Status Register is provided at RSVCA read/write address 0206H, 0606H, 0A06H, and 0E06H.

FUDRI[12:1]

The FIFO underflow event interrupt status (FUDRI[12:1]) bits are event indicators for STS-1/STM-0 paths #1 to #12. FUDRI[12:1] are set to logic 1 to indicate a FIFO underflow event. These interrupt status bits are independent of the interrupt enable bits. FUDRI[12:1] are cleared to logic 0 when this register is read.

Register 0207H, 0607H, 0A07H, and 0E07H: RSVCA Pointer Justification Interrupt Enable

Bit	Type	Function	Default
Bit 15	—	Unused	X
Bit 14	—	Unused	X
Bit 13	—	Unused	X
Bit 12	—	Unused	X
Bit 11	R/W	PJIE[12]	0
Bit 10	R/W	PJIE[11]	0
Bit 9	R/W	PJIE[10]	0
Bit 8	R/W	PJIE[9]	0
Bit 7	R/W	PJIE[8]	0
Bit 6	R/W	PJIE[7]	0
Bit 5	R/W	PJIE[6]	0
Bit 4	R/W	PJIE[5]	0
Bit 3	R/W	PJIE[4]	0
Bit 2	R/W	PJIE[3]	0
Bit 1	R/W	PJIE[2]	0
Bit 0	R/W	PJIE[1]	0

The Pointer Justification Interrupt Enable Register is provided at RSVCA direct read/write address 0207H, 0607H, 0A07H, and 0E07H.

PJIEN[12:1]

The pointer justification event interrupt enable (PJIE[12:1]) bits controls the activation of the interrupt output for STS-1/STM-0 paths #1 to #12. When any of these bit locations is set to logic 1, the corresponding pending interrupt will assert the interrupt output. When any of these bit locations is set to logic 0, the corresponding pending interrupt will not assert the interrupt output.

Register 0208H, 0608H, 0A08H, and 0E08H: RSVCA FIFO Interrupt Enable

Bit	Type	Function	Default
Bit 15	—	Unused	X
Bit 14	—	Unused	X
Bit 13	—	Unused	X
Bit 12	—	Unused	X
Bit 11	R/W	FIE[12]	0
Bit 10	R/W	FIE[11]	0
Bit 9	R/W	FIE[10]	0
Bit 8	R/W	FIE[9]	0
Bit 7	R/W	FIE[8]	0
Bit 6	R/W	FIE[7]	0
Bit 5	R/W	FIE[6]	0
Bit 4	R/W	FIE[5]	0
Bit 3	R/W	FIE[4]	0
Bit 2	R/W	FIE[3]	0
Bit 1	R/W	FIE[2]	0
Bit 0	R/W	FIE[1]	0

The FIFO Event Interrupt Enable Register is provided at RSVCA read/write address 0208H, 0608H, 0A08H, and 0E08H.

FIE[12:1]

The FIFO event interrupt enable (FIE[12:1]) bits controls the activation of the interrupt output for STS-1/STM-0 paths #1 to #12 caused by a FIFO overflow of a FIFO underflow. When any of these bit locations is set to logic 1, the corresponding pending interrupt will assert the interrupt output. When any of these bit locations is set to logic 0, the corresponding pending interrupt will not assert the interrupt output.

Register 020AH, 060AH, 0A0AH, and 0E0AH: RSVCA Clear Fixed Stuff

Bit	Type	Function	Default
Bit 15	R/W	ESDIS	0
Bit 14	—	Unused	X
Bit 13	—	Unused	X
Bit 12	—	Unused	X
Bit 11	R/W	CLRFS[12]	0
Bit 10	R/W	CLRFS[11]	0
Bit 9	R/W	CLRFS[10]	0
Bit 8	R/W	CLRFS[9]	0
Bit 7	R/W	CLRFS[8]	0
Bit 6	R/W	CLRFS[7]	0
Bit 5	R/W	CLRFS[6]	0
Bit 4	R/W	CLRFS[5]	0
Bit 3	R/W	CLRFS[4]	0
Bit 2	R/W	CLRFS[3]	0
Bit 1	R/W	CLRFS[2]	0
Bit 0	R/W	CLRFS[1]	0

The FIFO Fixed Stuff register provides miscellaneous control bits. It is provided at read/write address 020AH, 060AH, 0A0AH, and 0E0AH.

CLRFS[12:1]

The Clear Fixed Stuff (CLRFS[12:1]) bits enable the regeneration of fixed stuff columns (#30, #59) of an STS-1/VC-3. When set to logic 1, STS-1/VC-3 incoming fixed stuff columns (#30, #59) are discarded and regenerated (set to 00h) on the outgoing stream. When set to logic 0, these fixed stuff columns are relayed through the RSVCA.

ESDIS

When set high, forces the RSVCA to bypass the internal FIFO. The input data is not buffered inside the FIFO and is not re-aligned to a new transport frame but simply clocked out on the next rising edge.

Register 020BH, 060BH, 0A0BH, and 0E0BH: RSVCA Counter Update

Bit	Type	Function	Default
Bit 15	—	Unused	X
Bit 14	—	Unused	X
Bit 13	—	Unused	X
Bit 12	—	Unused	X
Bit 11	—	Unused	X
Bit 10	—	Unused	X
Bit 9	—	Unused	X
Bit 8	—	Unused	X
Bit 7	—	Unused	X
Bit 6	—	Unused	X
Bit 5	—	Unused	X
Bit 4	—	Unused	X
Bit 3	—	Unused	X
Bit 2	—	Unused	X
Bit 1	—	Unused	X
Bit 0	—	Unused	X

The Performance monitor transfer register is provided at read/write address 0x0BH. Any write to this register or to the Master Configuration Register (0000H) triggers a transfer of all performance monitor counters to holding registers that can be read by the ECBI interface.

Indirect Register 00H: RSVCA Positive Justifications Performance Monitor

Bit	Type	Function	Default
Bit 15	—	Unused	X
Bit 14	—	Unused	X
Bit 13	—	Unused	X
Bit 12	R	PJPMON[12]	0
Bit 11	R	PJPMON[11]	0
Bit 10	R	PJPMON[10]	0
Bit 9	R	PJPMON[9]	0
Bit 8	R	PJPMON[8]	0
Bit 7	R	PJPMON[7]	0
Bit 6	R	PJPMON[6]	0
Bit 5	R	PJPMON[5]	0
Bit 4	R	PJPMON[4]	0
Bit 3	R	PJPMON[3]	0
Bit 2	R	PJPMON[2]	0
Bit 1	R	PJPMON[1]	0
Bit 0	R	PJPMON[0]	0

The Outgoing Positive justifications performance monitor is provided at RSVCA indirect read/write address 00H.

PJPMON[12:0]

This register reports the number of positive pointer justification events that occurred on the outgoing side in the previous accumulation interval. The content of this register becomes valid a maximum of 155ns (12 clock cycles) after a transfer is triggered by writing the SVCA performance monitor trigger direct register or a write to the SPECTRA 1x2488 master configuration register. The value of PJPMON is only valid for master slices. If PJPMON[12:0] is read for a slave slice, the master path's value will be returned.

Indirect Register 01H: RSVCA Negative Justifications Performance Monitor

Bit	Type	Function	Default
Bit 15	—	Unused	X
Bit 14	—	Unused	X
Bit 13	—	Unused	X
Bit 12	R	NJPMON[12]	0
Bit 11	R	NJPMON[11]	0
Bit 10	R	NJPMON[10]	0
Bit 9	R	NJPMON[9]	0
Bit 8	R	NJPMON[8]	0
Bit 7	R	NJPMON[7]	0
Bit 6	R	NJPMON[6]	0
Bit 5	R	NJPMON[5]	0
Bit 4	R	NJPMON[4]	0
Bit 3	R	NJPMON[3]	0
Bit 2	R	NJPMON[2]	0
Bit 1	R	NJPMON[1]	0
Bit 0	R	NJPMON[0]	0

The outgoing negative justifications performance monitor is provided at the RSVCA indirect read/write address 01H.

NJPMON[12:0]

This register reports the number of negative pointer justification events that occurred on the outgoing side in the previous accumulation interval. The content of this register becomes valid a maximum of 155ns (12 clock cycles) after a transfer is triggered by writing the SVCA performance monitor trigger direct register or a write to the SPECTRA 1x2488 master configuration register. The value of NJPMON is only valid for master slices. If NJPMON[12:0] is read for a slave slice, the master path's value will be returned.

Indirect Register 02H: RSVCA Diagnostic/Configuration

Bit	Type	Function	Default
Bit 15	R/W	PTRRST	0
Bit 14	R/W	PTRSS[1]	0
Bit 13	R/W	PTRSS[0]	0
Bit 12	R/W	JUS3DIS	0
Bit 11	R/W	PTRDD[1]	0
Bit 10	R/W	PTRDD[0]	0
Bit 9	—	Unused	X
Bit 8	—	Unused	X
Bit 7	—	Unused	X
Bit 6	—	Unused	X
Bit 5	R/W	Diag_NDFREQ	0
Bit 4	R/W	Reserved	0
Bit 3	R/W	Diag_PAIS	0
Bit 2	R/W	Reserved	0
Bit 1	R/W	Reserved	0
Bit 0	R/W	Reserved	0

The RSVCA Diagnostic Register is provided at RSVCA read/write address 02H. These bits should be set to their default values during normal operation of the RSVCA. When configured for concatenated payloads, the value written to the master timeslot is automatically propagated to all the slave timeslots.

Reserved

The reserved bits must be programmed to their default values for proper operation.

Diag_PAIS

When set high, the Diag_PAIS bit forces the RSVCA to insert path AIS in the selected outgoing stream for at least three consecutive frames. AIS is inserted by writing an all ones pattern in the transport overhead bytes H1, H2, and H3, as well as in the entire STS synchronous payload envelope. The first frame after PAIS negates will contain a new data flag in the transport overhead H1 byte.

Diag_NDFREQ

When set high, Diag_NDFREQ bit forces the RSVCA to insert a NEW DATA FLAG indication in the frame regardless of the state of the pointer generation state machine.

PTRDD[1:0]

The PTRDD[1:0] defines the STS-N/AU-N concatenation pointer bits DD. ITU requirement for DD is unspecified when processing AU-4, AU-3 or TU-3. On the other side, Bellcore does not specify these two bits.

JUST3DIS

When set high, JUST3DIS allows the RSVCA to perform 1 justification per frame when necessary. When set to zero, pointer justifications are allowed only every 4 frames.

PTRSS[1:0]

The PTRSS[1:0] defines the STS-N/AU-N pointer bits SS. ITU requires that SS be set to 10 when processing AU-4, AU-3 or TU-3. On the other side, Bellcore does not specify these two bits. The SS bits are set to 00 when processing a slave sts-1.

PTR_RST

When set high, Incoming and outgoing pointers are reset to their default values. This bit is level sensitive

Register 0220H: DSTSI Indirect Address

Bit	Type	Function	Default
Bit 15	R	BUSY	X
Bit 14	R/W	RWB	0
Bit 13	—	Unused	X
Bit 12	—	Unused	X
Bit 11	—	Unused	X
Bit 10	R/W	PAGE	0
Bit 9	—	Unused	X
Bit 8	—	Unused	X
Bit 7	R/W	TSOUT[3]	0
Bit 6	R/W	TSOUT[2]	0
Bit 5	R/W	TSOUT[1]	0
Bit 4	R/W	TSOUT[0]	0
Bit 3	—	Unused	X
Bit 2	—	Unused	X
Bit 1	R/W	DOUTSEL[1]	0
Bit 0	R/W	DOUTSEL[0]	0

This register provides the slice number; the time-slot number and the control page select used to access the control pages. Writing to this register triggers an indirect register access. This register cannot be written to when an indirect register access is in progress.

DOUTSEL[1:0]

The Slice Output Select (DOUTSEL[1:0]) bits select the slice accessed by the current indirect transfer.

DOUTSEL[1:0]	DOUT
00	Slice #1
01	Slice #2
10	Slice #3
11	Slice #4

TSOUT[3:0]

The indirect STS-1/STM-0 output time slot (TSOUT[3:0]) bits indicate the STS-1/STM-0 output time slot accessed in the current indirect access. Time slots #1 to #12 are valid.

TSOUT[3:0]	STS-1/STM-0 time slot #
0000	Invalid time slot
0001-1100	Time slot #1 to time slot #12
1101-1111	Invalid time slot

PAGE

The page (PAGE) bit selects which control page is accessed in the current indirect transfer. Two pages are defined: page 0 and page 1.

Page	Control Page
0	Page 0
1	Page 1

RWB

The indirect access control bit (RWB) selects between a configure (write) or interrogate (read) access to the control pages. Writing logic 0 to RWB triggers an indirect write operation. Data to be written is taken for the DSTSI Indirect Data register. Writing logic 1 to RWB triggers an indirect read operation. The data read from the control pages is stored in the DSTSI Indirect Data register after the BUSY bit has cleared.

BUSY

The indirect access status bit (BUSY) reports the progress of an indirect access. BUSY is set to logic 1 when this register is written, triggering an access. It remains logic 1 until the access is complete at which time it is set to logic 0. This register should be polled to determine when new data is available in the Indirect Data Register or when another write access can be initiated. Note: The maximum busy bit set time is 10 clock cycles.

Register 0221H: DSTSI Indirect Data

Bit	Type	Function	Default
Bit 15	—	Unused	X
Bit 14	—	Unused	X
Bit 13	R/W	Reserved	0
Bit 12	R/W	Reserved	0
Bit 11	R/W	Reserved	0
Bit 10	R/W	Reserved	0
Bit 9	R/W	Reserved	0
Bit 8	R/W	Reserved	0
Bit 7	R/W	TSIN[3]	0
Bit 6	R/W	TSIN[2]	0
Bit 5	R/W	TSIN[1]	0
Bit 4	R/W	TSIN[0]	0
Bit 3	R/W	Reserved	0
Bit 2	R/W	Reserved	0
Bit 1	R/W	DINSEL[1]	0
Bit 0	R/W	DINSEL[0]	0

This register contains the data read from the control pages after an indirect read operation or the data to be written to the control pages in an indirect write operation. The data to be written to the control pages must be set up in this register before triggering a write. The DSTSI Indirect Data register reflects the last value read or written until the completion of a subsequent indirect read operation. This register cannot be written to while an indirect register access is in progress.

DINSEL[1:0]

The Slice Input Select (DINSEL[1:0]) field reports the slice number read from or written to an indirect register location.

DINSEL[1:0]	Data Stream
00	Slice #1
01	Slice #2
10	Slice #3
11	Slice #4

Reserved

The reserved bits must be programmed to their default values for proper operation.

TSIN[3:0]

The STS-1/STM-0 Input Time Slot (TSIN[3:0]) field reports the time-slot number read from or written to an indirect register location.

TSIN[3:0]	STS-1/STM-0 time slot #
0000	Invalid time slot
0001-1100	Time slot #1 to time slot #12
1101-1111	Invalid time slot

Downloaded by Content Team of Partminer Inc on Thursday, 27 April, 2006 09:55:04 PM

Register 0222H: DSTSI Configuration

Bit	Type	Function	Default
Bit 15	—	Unused	X
Bit 14	—	Unused	X
Bit 13	—	Unused	X
Bit 12	—	Unused	X
Bit 11	—	Unused	X
Bit 10	—	Unused	X
Bit 9	—	Unused	X
Bit 8	—	Unused	X
Bit 7	—	Unused	X
Bit 6	—	Unused	X
Bit 5	—	Unused	X
Bit 4	—	Unused	X
Bit 3	R	ACTIVE	X
Bit 2	R/W	PSEL	0
Bit 1	R/W	J0RORDR	0
Bit 0	R/W	COAPE	0

COAPE

The change of active page interrupt enable (COAPE) bit enables/disables the change of active page interrupt output. When the COAPE bit is set to logic 1, an interrupt is generated when the active page changes from page 0 to page 1 or from page 1 to page 0. These interrupts are masked when COAPE is set to logic 0.

J0RORDR

The J0 Reorder (J0RORDR) bit enables/disables the reordering of the J0/Z0 bytes. This configuration bit only has an effect when the DSTSI is in the dynamic switching mode – if the DSTSI is in any of the static switching modes then the value of this bit is ignored. When this bit is set to logic 0 the J0/Z0 bytes are not reordered by the DSTSI. When this bit is set to logic 1, normal reordering of the J0/Z0 bytes is enabled.

PSEL

The page select (PSEL) bit is used in the selection of the current active page. This bit is logically XORed with the value of the external CMP port to determine which control page is currently active.

ACTIVE

The active page indication (ACTIVE) bit indicates which control page is currently active. When this bit is logic 0 then page 0 is controlling the dynamic mux. When this bit is logic 1 then page 1 is controlling the dynamic mux.

Downloaded by Content Team of Partminer Inc on Thursday, 27 April, 2006 09:55:00 AM

Register 0223H: DSTSI Interrupt Status

Bit	Type	Function	Default
Bit 15	—	Unused	X
Bit 14	—	Unused	X
Bit 13	—	Unused	X
Bit 12	—	Unused	X
Bit 11	—	Unused	X
Bit 10	—	Unused	X
Bit 9	—	Unused	X
Bit 8	—	Unused	X
Bit 7	—	Unused	X
Bit 6	—	Unused	X
Bit 5	—	Unused	X
Bit 4	—	Unused	X
Bit 3	—	Unused	X
Bit 2	—	Unused	X
Bit 1	—	Unused	X
Bit 0	R	COAPI	X

COAPI

The change of active page interrupt status bit (COAPI) reports the status of the change of active page interrupt. COAPI is set to logic 1 when the active control page changes from page 0 to page 1 or from page 1 to page 0. COAPI is cleared immediately following a read to this register when WCIMODE is logic 0. When WCIMODE is logic 1, COAPI is cleared immediately following a **write** (regardless of value) to this register. COAPI remains valid when the interrupt is not enabled (COAPE set to logic 0) and may be polled to detect change of active control page events.

Register 0240H, 0640H, 0A40H, and 0E40H: DPRGM Indirect Address

Bit	Type	Function	Default
Bit 15	R	BUSY	X
Bit 14	R/W	RDWRB	0
Bit 13	—	Unused	X
Bit 12	—	Unused	X
Bit 11	—	Unused	X
Bit 10	—	Unused	X
Bit 9	R/W	IADDR[3]	0
Bit 8	R/W	IADDR[2]	0
Bit 7	R/W	IADDR[1]	0
Bit 6	R/W	IADDR[0]	0
Bit 5	—	Unused	X
Bit 4	—	Unused	X
Bit 3	R/W	PATH[3]	0
Bit 2	R/W	PATH[2]	0
Bit 1	R/W	PATH[1]	0
Bit 0	R/W	PATH[0]	0

The DPRGM Indirect Address Register is provided at DPRGM read/write address 0240H, 0640H, 0A40H, and 0E40H when TRSB is high and BSB is low.

PATH[3:0]

The PATH[3:0] bits select which time-multiplexed division is accessed by the current indirect transfer.

PATH[3:0]	Time Division #
0000	Invalid path
0001-1100	path #1 to path #12
1101-1111	Invalid path

IADDR[3:0]

The indirect address select which indirect register is access by the current indirect transfer. Six indirect registers are defined for the monitor (IADDR[3] is logic 0) : the configuration, the PRBS[22:7], the PRBS[6:0], the B1/E1 value, the Monitor error count and the received B1/E1 byte.

IADDR[3:0]	RAM Page
0000	STS-1 path Configuration
0001	PRBS[22:7]
0010	PRBS[6:0]
0011	B1/E1 value
0100	Monitor error count

IADDR[3:0]	RAM Page
0101	Received B1 and E1

Four indirect registers are defined for the generator (IADDR [3] is logic 1) : the configuration, the PRBS[22:7], the PRBS[6:0] and the B1/E1 value.

IADDR[3:0]	RAM Page
1000	STS-1 path Configuration
1001	PRBS[22:7]
1010	PRBS[6:0]
1011	B1/E1 value

RDWRB

The active high read and active low write (RDWRB) bit selects if the current access to the indirect register is an indirect read or an indirect write. Writing to the Indirect Address Register initiates an access to the indirect register. When RDWRB is set to logic 1, an indirect read access to the indirect register is initiated. The data from the addressed location will be transfer to the Indirect Data Register. When RDWRB is set to logic 0, an indirect write access to the indirect register is initiated. The data from the Indirect Data Register will be transfer to the addressed location.

BUSY

The active high busy (BUSY) bit reports if a previously initiated indirect access has been completed. BUSY is set to logic 1 upon writing to the Indirect Address Register. BUSY is set to logic 0, upon completion of the access. This register should be polled to determine when new data is available in the Indirect Data Register.

Register 0241H, 0641H, 0A41H, and 0E41H: DPRGM Indirect Data

Bit	Type	Function	Default
Bit 15	R/W	DATA[15]	0
Bit 14	R/W	DATA[14]	0
Bit 13	R/W	DATA[13]	0
Bit 12	R/W	DATA[12]	0
Bit 11	R/W	DATA[11]	0
Bit 10	R/W	DATA[10]	0
Bit 9	R/W	DATA[9]	0
Bit 8	R/W	DATA[8]	0
Bit 7	R/W	DATA[7]	0
Bit 6	R/W	DATA[6]	0
Bit 5	R/W	DATA[5]	0
Bit 4	R/W	DATA[4]	0
Bit 3	R/W	DATA[3]	0
Bit 2	R/W	DATA[2]	0
Bit 1	R/W	DATA[1]	0
Bit 0	R/W	DATA[0]	0

The DPRGM Indirect Data Register is provided at DPRGM read/write address 0241H, 0641H, 0A41H, and 0E41H when TRSB is high and BSB is low.

DATA[15:0]

The indirect access data (DATA[15:0]) bits hold the data transfer to or from during indirect access. When RDWRB is set to logic 1 (indirect read), the data from the addressed location will be transfer to DATA[15:0]. BUSY should be polled to determine when the new data is available in DATA[15:0]. When RDWRB is set to logic 0 (indirect write), the data from DATA[15:0] will be transfer to the addressed location. The indirect Data register must contain valid data before the indirect write is initiated by writing to the Indirect Address Register.

DATA[15:0] has a different meaning depending on which indirect register is being accessed.

Register 0242H, 0642H, 0A42H, and 0E42H: DPRGM Generator Payload Configuration

Bit	Type	Function	Default
Bit 15	R/W	GEN_STS12CSL	0
Bit 14	R/W	GEN_STS12C	0
Bit 13	—	Unused	X
Bit 12	—	Unused	X
Bit 11	—	Unused	X
Bit 10	R/W	GEN_MSSLEN[2]	0
Bit 9	R/W	GEN_MSSLEN[1]	0
Bit 8	R/W	GEN_MSSLEN[0]	0
Bit 7	—	Unused	X
Bit 6	—	Unused	X
Bit 5	—	Unused	X
Bit 4	—	Unused	X
Bit 3	R/W	GEN_STS3C[4]	0
Bit 2	R/W	GEN_STS3C[3]	0
Bit 1	R/W	GEN_STS3C[2]	0
Bit 0	R/W	GEN_STS3C[1]	0

The Generator Payload Configuration register is provided at DPRGM read address 0242H, 0642H, 0A42H, and 0E42H when TRSB is high and BSB is low.

GEN_STS3C[1]

The STS-3c (VC-4) payload configuration (GEN_STS3C[1]) bit selects the payload configuration. When GEN_STS3C[1] is set to logic 1, the STS-1/STM-0 paths #1, #5 and #9 are part of a STS-3c (VC-4) payload. When GEN_STS3C[1] is set to logic 0, the paths are STS-1 (VC-3) payloads. When GEN_STS12C is set to logic 1, GEN_STS3C[1] must be set to logic 0.

GEN_STS3C[2]

The STS-3c (VC-4) payload configuration (GEN_STS3C[2]) bit selects the payload configuration. When GEN_STS3C[2] is set to logic 1, the STS-1/STM-0 paths #2, #6 and #10 are part of a STS-3c (VC-4) payload. When GEN_STS3C[2] is set to logic 0, the paths are STS-1 (VC-3) payloads. When GEN_STS12C is set to logic 1, GEN_STS3C[2] must be set to logic 0.

GEN_STS3C[3]

The STS-3c (VC-4) payload configuration (GEN_STS3C[3]) bit selects the payload configuration. When GEN_STS3C[3] is set to logic 1, the STS-1/STM-0 paths #3, #7 and #11 are part of a STS-3c (VC-4) payload. When GEN_STS3C[3] is set to logic 0, the paths are STS-1 (VC-3) payloads. When GEN_STS12C is set to logic 1, GEN_STS3C[3] must be set to logic 0.

GEN_STS3C[4]

The STS-3c (VC-4) payload configuration (GEN_STS3C[4]) bit selects the payload configuration. When GEN_STS3C[4] is set to logic 1, the STS-1/STM-0 paths #4, #8 and #12 are part of a STS-3c (VC-4) payload. When GEN_STS3C[4] is set to logic 0, the paths are STS-1 (VC-3) payloads. When GEN_STS12C is set to logic 1, GEN_STS3C[4] must be set to logic 0.

GEN_MSSLEN[2:0]

The Master/Slave Configuration Enable enables the master/slave configuration of the DPRGM's generator.

GEN_MSSLEN[2:0]	Configuration
000	ms/sl configuration disable (STS-12/STM-4)
001	ms/sl configuration enable 2 DPRGMs (STS-24/STM-8)
010	ms/sl configuration enable 3 DPRGMs (STS-36/STM-12)
011	ms/sl configuration enable 4 DPRGMs (STS-48/STM-16)
100 - 111	Invalid configuration

GEN_MSSLEN[2:0] must be set to "000" for rates STS-12c and below.

GEN_STS12C

The STS-12c (VC-4-4c) payload configuration (GEN_STS12C) bit selects the payload configuration. When GEN_STS12C is set to logic 1, the STS-1/STM-0 paths #1 to #12 are part of the same concatenated payload defined by GEN_MSSLEN. When GEN_STS12C is set to logic 0, the STS-1/STM-0 paths are defined with the GEN_STS3C[1:4] register bit.

GEN_STS12CSL

The slave STS-12c (VC-4-4c) payload configuration (GEN_STS12CSL) bit selects the slave payload configuration. When GEN_STS12CSL is set to logic 1, the STS-1/STM-0 paths #1 to #12 are part of a slave payload. When GEN_STS12CSL is set to logic 0, the STS-1/STM-0 paths are part of a master payload. When GEN_STS12C is set to logic 0, GEN_STS12CSL must be set to logic 0.

Register 0243H, 0643H, 0A43H, and 0E43H: DPRGM Monitor Payload Configuration

Bit	Type	Function	Default
Bit 15	R/W	MON_STS12CSL	0
Bit 14	R/W	MON_STS12C	0
Bit 13	—	Unused	X
Bit 12	—	Unused	X
Bit 11	—	Unused	X
Bit 10	R/W	MON_MSSLEN[2]	0
Bit 9	R/W	MON_MSSLEN[1]	0
Bit 8	R/W	MON_MSSLEN[0]	0
Bit 7	—	Unused	X
Bit 6	R/W	Reserved	0
Bit 5	—	Unused	X
Bit 4	—	Unused	X
Bit 3	R/W	MON_STS3C[4]	0
Bit 2	R/W	MON_STS3C[3]	0
Bit 1	R/W	MON_STS3C[2]	0
Bit 0	R/W	MON_STS3C[1]	0

The Monitor Payload Configuration register is provided at DPRGM read address 0243H, 0643H, 0A43H, and 0E43H when TRSB is high and BSB is low.

MON_STS3C[1]

The STS-3c (VC-4) payload configuration (MON_STS3C[1]) bit selects the payload configuration. When MON_STS3C[1] is set to logic 1, the STS-1/STM-0 paths #1, #5 and #9 are part of a STS-3c/VC-4 payload. When MON_STS3C[1] is set to logic 0, the paths are STS-1/VC-3 payloads. When MON_STS12C is set to logic 1, MON_STS3C[1] must be set to logic 0.

MON_STS3C[2]

The STS-3c (VC-4) payload configuration (MON_STS3C[2]) bit selects the payload configuration. When MON_STS3C[2] is set to logic 1, the STS-1/STM-0 paths #2, #6 and #10 are part of a STS-3c/VC-4 payload. When MON_STS3C[2] is set to logic 0, the paths are STS-1/VC-3 payloads. When MON_STS12C is set to logic 1, MON_STS3C[2] must be set to logic 0.

MON_STS3C[3]

The STS-3c (VC-4) payload configuration (MON_STS3C[3]) bit selects the payload configuration. When MON_STS3C[3] is set to logic 1, the STS-1/STM-0 paths #3, #7 and #11 are part of a MON_STS-3c/VC-4 payload. When MON_STS3C[3] is set to logic 0, the paths are STS-1 (VC-3) payloads. When MON_STS12C is set to logic 1, MON_STS3C[3] must be set to logic 0.

MON_STS3C[4]

The STS-3c (VC-4) payload configuration (MON_STS3C[4]) bit selects the payload configuration. When MON_STS3C[4] is set to logic 1, the STS-1/STM-0 paths #4, #8 and #12 are part of a STS-3c/VC-4 payload. When MON_STS3C[4] is set to logic 0, the paths are STS-1/VC-3 payloads. When MON_STS12C is set to logic 1, MON_STS3C[4] must be set to logic 0.

Reserved

The reserved bits must be programmed to their default values for proper operation.

MON_MSSLEN[2:0]

The Master/Slave Configuration Enable enables the master/slave configuration of the DPRGM's monitor.

GEN_MSSLEN[2:0]	Configuration
000	ms/sl configuration disable (STS-12/STM-4)
001	ms/sl configuration enable 2 DPRGMs (STS-24/STM-8)
010	ms/sl configuration enable 3 DPRGMs (STS-36/STM-12)
011	ms/sl configuration enable 4 DPRGMs (STS-48/STM-16)
100 – 111	Invalid configuration

MON_MSSLEN[2:0] must be set to "000" for rates STS-12c and below.

MON_STS12C

The STS-12c (VC-4-4c) payload configuration (MON_STS12C) bit selects the payload configuration. When MON_STS12C is set to logic 1, the STS-1/STM-0 paths #1 to #12 are part of the same concatenated payload defined by MON_MSSLEN. When MON_STS12C is set to logic 0, the STS-1/STM-0 paths are defined with the MON_STS3C[3:0] register bit.

MON_STS12CSL

The slave STS-12c (VC-4-4c) payload configuration (MON_STS12CSL) bit selects the slave payload configuration. When MON_STS12CSL is set to logic 1, the STS-1/STM-0 paths #1 to #12 are part of a slave payload. When MON_STS12CSL is set to logic 0, the STS-1/STM-0 paths are part of a master payload. When MON_STS12C is set to logic 0, MON_STS12CSL must be set to logic 0.

Register 0244H, 0644H, 0A44H, and 0E44H: DPRGM Monitor Byte Error Interrupt Status

Bit	Type	Function	Default
Bit 15	—	Unused	X
Bit 14	—	Unused	X
Bit 13	—	Unused	X
Bit 12	—	Unused	X
Bit 11	R	MON12_ERRI	X
Bit 10	R	MON11_ERRI	X
Bit 9	R	MON10_ERRI	X
Bit 8	R	MON9_ERRI	X
Bit 7	R	MON8_ERRI	X
Bit 6	R	MON7_ERRI	X
Bit 5	R	MON6_ERRI	X
Bit 4	R	MON5_ERRI	X
Bit 3	R	MON4_ERRI	X
Bit 2	R	MON3_ERRI	X
Bit 1	R	MON2_ERRI	X
Bit 0	R	MON1_ERRI	X

The Monitor Byte Error Interrupt Status register is provided at DPRGM read address 0244H, 0644H, 0A44H, and 0E44H when TRSB is high and BSB is low.

MON_x_ERRI

The Monitor Byte Error Interrupt Status register is the status of the interrupt generated by each of the 12 STS-1 paths when an error has been detected. The MON_x_ERRI is set high when the monitor is in the synchronized state and when an error in a PRBS byte is detected in the STS-1 path **x**. This bit is independent of MON_x_ERRE, and is cleared after it's been read.

Register 0245H, 0645H, 0A45H, and 0E45H: DPRGM Monitor Byte Error Interrupt Enable

Bit	Type	Function	Default
Bit 15	—	Unused	X
Bit 14	—	Unused	X
Bit 13	—	Unused	X
Bit 12	—	Unused	X
Bit 11	R/W	MON12_ERRE	0
Bit 10	R/W	MON11_ERRE	0
Bit 9	R/W	MON10_ERRE	0
Bit 8	R/W	MON9_ERRE	0
Bit 7	R/W	MON8_ERRE	0
Bit 6	R/W	MON7_ERRE	0
Bit 5	R/W	MON6_ERRE	0
Bit 4	R/W	MON5_ERRE	0
Bit 3	R/W	MON4_ERRE	0
Bit 2	R/W	MON3_ERRE	0
Bit 1	R/W	MON2_ERRE	0
Bit 0	R/W	MON1_ERRE	0

The Monitor Byte Error Interrupt Enable register is provided at DPRGM read/write address 0245H, 0645H, 0A45H, and 0E45H when TRSB is high and BSB is low.

MON_x_ERRE

The Monitor Byte Error Interrupt Enable register enables the interrupt for each of the 12 STS-1 paths. When MON_x_ERRE is set high, allows the Byte Error Interrupt to generate an external interrupt.

Register 0246H, 0646H, 0A46H, and 0E46H: DPRGM Monitor B1/E1 Bytes Interrupt Status

Bit	Type	Function	Default
Bit 15	—	Unused	X
Bit 14	—	Unused	X
Bit 13	—	Unused	X
Bit 12	—	Unused	X
Bit 11	R	MON12_B1E1I	X
Bit 10	R	MON11_B1E1I	X
Bit 9	R	MON10_B1E1I	X
Bit 8	R	MON9_B1E1I	X
Bit 7	R	MON8_B1E1I	X
Bit 6	R	MON7_B1E1I	X
Bit 5	R	MON6_B1E1I	X
Bit 4	R	MON5_B1E1I	X
Bit 3	R	MON4_B1E1I	X
Bit 2	R	MON3_B1E1I	X
Bit 1	R	MON2_B1E1I	X
Bit 0	R	MON1_B1E1I	X

The Monitor B1/E1Bytes Interrupt Status register is provided at DPRGM read address 0246H, 0646H, 0A46H, and 0E46H when TRSB is high and BSB is low.

MON_x_B1E1I

The Monitor B1/E1Bytes Interrupt Status register is the status of the interrupt generated by each of the 12 STS-1 paths when a change in the status of the comparison has been detected on the B1/E1 bytes. The MON_x_B1E1I is set high when the monitor is in the synchronized state and when the status change is detected on either the B1 or E1 bytes in the STS-1 path **x**. For example, if a mismatch is detected and the previous comparison was a match, the MON_x_B1E1I will be set high. But if a mismatch is detected and the previous comparison was a mismatch, the MON_x_B1E1I will keep its previous value. This bit is independent of MON_x_B1E1E, and is cleared after it's been read.

Register 0247H, 0647H, 0A47H, and 0E47H: DPRGM Monitor B1/E1 Bytes Interrupt Enable

Bit	Type	Function	Default
Bit 15	—	Unused	X
Bit 14	—	Unused	X
Bit 13	—	Unused	X
Bit 12	—	Unused	X
Bit 11	R/W	MON12_B1E1E	0
Bit 10	R/W	MON11_B1E1E	0
Bit 9	R/W	MON10_B1E1E	0
Bit 8	R/W	MON9_B1E1E	0
Bit 7	R/W	MON8_B1E1E	0
Bit 6	R/W	MON7_B1E1E	0
Bit 5	R/W	MON6_B1E1E	0
Bit 4	R/W	MON5_B1E1E	0
Bit 3	R/W	MON4_B1E1E	0
Bit 2	R/W	MON3_B1E1E	0
Bit 1	R/W	MON2_B1E1E	0
Bit 0	R/W	MON1_B1E1E	0

The Monitor B1/E1Bytes Interrupt Enable register is provided at DPRGM read/write address 0247H, 0647H, 0A47H, and 0E47H when TRSB is high and BSB is low.

MON_x_B1E1E

The Monitor B1/E1 Bytes Interrupt Enable register enables the interrupt for each of the 12 STS-1 paths. When MON_x_B1E1E is set high, allows the B1/E1Bytes Interrupt to generate an external interrupt.

Register 0249H, 0649H, 0A49H, and 0E49H: DPRGM Monitor Synchronization Interrupt Status

Bit	Type	Function	Default
Bit 15	—	Unused	X
Bit 14	—	Unused	X
Bit 13	—	Unused	X
Bit 12	—	Unused	X
Bit 11	R	MON12_SYNCI	X
Bit 10	R	MON11_SYNCI	X
Bit 9	R	MON10_SYNCI	X
Bit 8	R	MON9_SYNCI	X
Bit 7	R	MON8_SYNCI	X
Bit 6	R	MON7_SYNCI	X
Bit 5	R	MON6_SYNCI	X
Bit 4	R	MON5_SYNCI	X
Bit 3	R	MON4_SYNCI	X
Bit 2	R	MON3_SYNCI	X
Bit 1	R	MON2_SYNCI	X
Bit 0	R	MON1_SYNCI	X

The Monitor Synchronization Interrupt Status register is provided at DPRGM read address 0249H, 0649H, 0A49H, and 0E49H when TRSB is high and BSB is low.1

MON_x_SYNCI

The Monitor Synchronization Interrupt Status register is set high when a change occurs in the monitor's synchronization status. Whenever a state machine of the **x** STS-1 path goes from Synchronized to Out Of Synchronization state or vice-versa, the MON_x_SYNCI is set high. This bit is independent of MON_x_SYNCE, and is cleared after it's been read.

Register 024AH, 064AH, 0A4AH, and 0E4AH: DPRGM Monitor Synchronization Interrupt Enable

Bit	Type	Function	Default
Bit 15	—	Unused	X
Bit 14	—	Unused	X
Bit 13	—	Unused	X
Bit 12	—	Unused	X
Bit 11	R/W	MON12_SYNCE	0
Bit 10	R/W	MON11_SYNCE	0
Bit 9	R/W	MON10_SYNCE	0
Bit 8	R/W	MON9_SYNCE	0
Bit 7	R/W	MON8_SYNCE	0
Bit 6	R/W	MON7_SYNCE	0
Bit 5	R/W	MON6_SYNCE	0
Bit 4	R/W	MON5_SYNCE	0
Bit 3	R/W	MON4_SYNCE	0
Bit 2	R/W	MON3_SYNCE	0
Bit 1	R/W	MON2_SYNCE	0
Bit 0	R/W	MON1_SYNCE	0

The Monitor Synchronization Interrupt Enable register is provided at DPRGM read/write address 024AH, 064AH, 0A4AH, and 0E4AH when TRSB is high and BSB is low.

MON_x_SYNCE

The Monitor Synchronization Interrupt Enable register allows each individual STS-1 path to generate an external interrupt on INT. When MON_x_SYNCE is set high, whenever a change occurs in the synchronization state of the monitor in STS-1 path **x**, generates an interrupt.

Register 024BH, 064BH, 0A4BH, and 0E4BH: DPRGM Monitor Synchronization Status

Bit	Type	Function	Default
Bit 15	—	Unused	X
Bit 14	—	Unused	X
Bit 13	—	Unused	X
Bit 12	—	Unused	X
Bit 11	R	MON12_SYNCV	X
Bit 10	R	MON11_SYNCV	X
Bit 9	R	MON10_SYNCV	X
Bit 8	R	MON9_SYNCV	X
Bit 7	R	MON8_SYNCV	X
Bit 6	R	MON7_SYNCV	X
Bit 5	R	MON6_SYNCV	X
Bit 4	R	MON5_SYNCV	X
Bit 3	R	MON4_SYNCV	X
Bit 2	R	MON3_SYNCV	X
Bit 1	R	MON2_SYNCV	X
Bit 0	R	MON1_SYNCV	X

The Monitor Synchronization Status register is provided at DPRGM read address 024BH, 064BH, 0A4BH, and 0E4BH when TRSB is high and BSB is low.

MON_x_SYNCV

The Monitor Synchronization Status register reflects the state of the monitor's state machine. When MON_x_SYNCV is set high, the monitor's state machine is in synchronization for the STS-1 Path x. When MON_x_SYNCV is low, the monitor is NOT in synchronization for the STS-1 Path x.

Notes:

- The PRBS monitor will lock to an all ones or all zeros pattern.
- For concatenated payloads, only the first STS-1 path of the STS-Nc MON_x_SYNCV1 bit is valid.

Register 024CH, 064CH, 0A4CH, and 0E4CH: DPRGM Counter Update

Bit	Type	Function	Default
Bit 15	—	Unused	X
Bit 14	—	Unused	X
Bit 13	—	Unused	X
Bit 12	—	Unused	X
Bit 11	—	Unused	X
Bit 10	—	Unused	X
Bit 9	—	Unused	X
Bit 8	—	Unused	X
Bit 7	—	Unused	X
Bit 6	—	Unused	X
Bit 5	—	Unused	X
Bit 4	—	Unused	X
Bit 3	—	Unused	X
Bit 2	—	Unused	X
Bit 1	—	Unused	X
Bit 0	R	Reserved	X

The Counter Update register is provided at DPRGM read address 024CH, 064CH, 0A4CH, and 0E4CH when TRSB is high and BSB is low.

A write in this register or to the Master Configuration Register (0000H) will trigger the transfer of the error counters to holding registers where they can be read. The value written in the register is not important.

Reserved

The reserved bits must be programmed to their default values for proper operation.

Indirect Register 00H: DPRGM Monitor STS-1 Path Configuration

Bit	Type	Function	Default
Bit 15	—	Unused	X
Bit 14	—	Unused	X
Bit 13	—	Unused	X
Bit 12	—	Unused	X
Bit 11	—	Unused	X
Bit 10	R/W	Reserved	0
Bit 9	R/W	Reserved	0
Bit 8	—	Unused	X
Bit 7	—	Unused	X
Bit 6	R/W	SEQ_PRBSB	0
Bit 5	R/W	B1E1_ENA	0
Bit 4	—	Unused	X
Bit 3	W	RESYNC	0
Bit 2	R/W	INV_PRBS	0
Bit 1	R/W	AMODE	0
Bit 0	R/W	MON_ENA	0

DPRGM Indirect Data Register (Register 01h) definition when accessing Indirect Address 0H (IADDR[3:0] is “0H” of register 00H).

MON_ENA

Monitor Enable register bit, enables the PRBS monitor for the STS-1 path specified in the PATH[3:0] of register 0h (DPRGM Indirect Addressing). If MON_ENA is set to logic 1, a PRBS sequence is generated and compare to the incoming one inserted in the payload of the SONET/SDH frame. If MON_ENA is low, the data at the input of the monitor is ignored.

AMODE

Sets the DPRGM monitor in the Telecom bus mode. If the AMODE is high, the monitor is in Autonomous mode, and the incoming SONET/SDH payload is compared to the internally generated one. In Autonomous mode, the generated SPE is always placed next to the H3 byte (zero offset), thus the incoming J1 pulses are ignored. When AMODE is low, the SONET/SDH payload offset received on the line interface is maintained through the DPRGM block. The TOH and the POH are output unmodified, but PRBS has been inserted in the payload.

INV_PRBS

Sets the monitor to invert the PRBS before comparing it to the internally generated payload. When set high, the PRBS bytes will be inverted, else they will be compared unmodified.

RESYNC

Sets the monitor to re-initialize the PRBS sequence. When set high, the monitor's state machine will be forced in the Out Of Sync state and automatically try to resynchronize to the incoming stream. In master/slave configuration, to re-initialize the PRBS, RESYNC has to be set high in the master DPRGM only.

B1E1_ENA

When high, this bit enables the monitoring of the B1 and E1 bytes in the SONET/SDH frame. The incoming B1 byte is compared to a programmable register. The E1 byte is compared to the complement of the same value. When B1E1_ENA is high, the B1 and E1 bytes are monitored.

SEQ_PRBSB

This bit enables the monitoring of a PRBS or sequential pattern inserted in the payload. When low, the payload contains PRBS bytes, and when high, a sequential pattern is monitored.

Reserved

The reserved bits must be programmed to their default values for proper operation.

Indirect Register 01H: DPRGM Monitor PRBS[22:7] Accumulator

Bit	Type	Function	Default
Bit 15	R/W	PRBS[22]	0
Bit 14	R/W	PRBS[21]	0
Bit 13	R/W	PRBS[20]	0
Bit 12	R/W	PRBS[19]	0
Bit 11	R/W	PRBS[18]	0
Bit 10	R/W	PRBS[17]	0
Bit 9	R/W	PRBS[16]	0
Bit 8	R/W	PRBS[15]	0
Bit 7	R/W	PRBS[14]	0
Bit 6	R/W	PRBS[13]	0
Bit 5	R/W	PRBS[12]	0
Bit 4	R/W	PRBS[11]	0
Bit 3	R/W	PRBS[10]	0
Bit 2	R/W	PRBS[9]	0
Bit 1	R/W	PRBS[8]	0
Bit 0	R/W	PRBS[7]	0

DPRGM Indirect Data Register (Register 01H) definition when accessing Indirect Address 1H (IADDR[3:0] is “1H” of register 00H).

PRBS[22:7]

The PRBS[22:7] register, are the 16 MSBs of the LFSR state of the STS-1 path specified in the Indirect Addressing register. It is possible to write in this register to change the initial state of the register.

Indirect Register 02H: DPRGM Monitor PRBS[6:0] Accumulator

Bit	Type	Function	Default
Bit 15	—	Unused	X
Bit 14	—	Unused	X
Bit 13	—	Unused	X
Bit 12	—	Unused	X
Bit 11	—	Unused	X
Bit 10	—	Unused	X
Bit 9	—	Unused	X
Bit 8	—	Unused	X
Bit 7	—	Unused	X
Bit 6	R/W	PRBS[6]	0
Bit 5	R/W	PRBS[5]	0
Bit 4	R/W	PRBS[4]	0
Bit 3	R/W	PRBS[3]	0
Bit 2	R/W	PRBS[2]	0
Bit 1	R/W	PRBS[1]	0
Bit 0	R/W	PRBS[0]	0

DPRGM Indirect Data Register (Register 01H) definition when accessing Indirect Address 2H (IADDR[3:0] is “2H” of register 00H).

PRBS[6:0]

The PRBS[6:0] register, are the 7 LSBs of the LFSR state of the STS-1 path specified in the Indirect Addressing register. It is possible to write in this register to change the initial state of the register.

Indirect Register 03H: DPRGM Monitor B1/E1 value

Bit	Type	Function	Default
Bit 15	—	Unused	X
Bit 14	—	Unused	X
Bit 13	—	Unused	X
Bit 12	—	Unused	X
Bit 11	—	Unused	X
Bit 10	—	Unused	X
Bit 9	—	Unused	X
Bit 8	—	Unused	X
Bit 7	R/W	B1[7]	0
Bit 6	R/W	B1[6]	0
Bit 5	R/W	B1[5]	0
Bit 4	R/W	B1[4]	0
Bit 3	R/W	B1[3]	0
Bit 2	R/W	B1[2]	0
Bit 1	R/W	B1[1]	0
Bit 0	R/W	B1[0]	0

DPRGM Indirect Data Register (Register 01H) definition when accessing Indirect Address 3H (IADDR[3:0] is “3H” of register 00H).

B1[7:0]

When enabled, the monitoring of the B1 byte in the incoming SONET/SDH frame, is a simple comparison to the value in the B1[7:0] register. The same value is used for the monitoring of the E1 byte except its complement is used.

Indirect Register 04H: DPRGM Monitor Error Count

Bit	Type	Function	Default
Bit 15	R	ERR_CNT[15]	X
Bit 14	R	ERR_CNT[14]	X
Bit 13	R	ERR_CNT[13]	X
Bit 12	R	ERR_CNT[12]	X
Bit 11	R	ERR_CNT[11]	X
Bit 10	R	ERR_CNT[10]	X
Bit 9	R	ERR_CNT[9]	X
Bit 8	R	ERR_CNT[8]	X
Bit 7	R	ERR_CNT[7]	X
Bit 6	R	ERR_CNT[6]	X
Bit 5	R	ERR_CNT[5]	X
Bit 4	R	ERR_CNT[4]	X
Bit 3	R	ERR_CNT[3]	X
Bit 2	R	ERR_CNT[2]	X
Bit 1	R	ERR_CNT[1]	X
Bit 0	R	ERR_CNT[0]	X

DPRGM Indirect Data Register (Register 01H) definition when accessing Indirect Address 4H (IADDR[3:0] is “4H” of register 00H).

ERR_CNT[15:0]

The ERR_CNT[15:0] registers, is the number of error in the PRBS bytes detected during the monitoring. Errors are accumulated only when the monitor is in the synchronized state. Even if there are multiple errors within one PRBS byte, only one error is counted. The error counter is cleared and restarted after its value is transferred to the ERR_CNT[15:0] holding registers. No errors are missed during the transfer. The error counter will not wrap around after reaching FFFFh, it will saturate at this value.

Note: When losing synchronization, the PRBS monitor in the DPRGM block incorrectly counts up to two additional byte errors.

Indirect Register 05H: DPRGM Monitor Received B1/E1 Bytes

Bit	Type	Function	Default
Bit 15	R	REC_E1[7]	X
Bit 14	R	REC_E1[6]	X
Bit 13	R	REC_E1[5]	X
Bit 12	R	REC_E1[4]	X
Bit 11	R	REC_E1[3]	X
Bit 10	R	REC_E1[2]	X
Bit 9	R	REC_E1[1]	X
Bit 8	R	REC_E1[0]	X
Bit 7	R	REC_B1[7]	X
Bit 6	R	REC_B1[6]	X
Bit 5	R	REC_B1[5]	X
Bit 4	R	REC_B1[4]	X
Bit 3	R	REC_B1[3]	X
Bit 2	R	REC_B1[2]	X
Bit 1	R	REC_B1[1]	X
Bit 0	R	REC_B1[0]	X

DPRGM Indirect Data Register (Register 01H) definition when accessing Indirect Address 5H (IADDR[3:0] is “5H” of register 00H).

REC_B1[7:0]

The Received B1 byte is the content of the B1 byte position in the SONET/SDH frame for this particular STS-1 path. Every time a B1 byte is received, it is copied in this register.

REC_E1[7:0]

The Received E1 byte is the content of the E1 byte position in the SONET/SDH frame for this particular STS-1 path. Every time a E1 byte is received, it is copied in this register.

Indirect Register 08H: DPRGM Generator STS-1 Path Configuration

Bit	Type	Function	Default
Bit 15	—	Unused	X
Bit 14	—	Unused	X
Bit 13	R/W	Reserved	0
Bit 12	R/W	GEN_ENA	0
Bit 11	—	Unused	X
Bit 10	—	Unused	X
Bit 9	R/W	Reserved	0
Bit 8	R/W	DALARM_DIS	0
Bit 7	R/W	SS[1]	0
Bit 6	R/W	SS[0]	0
Bit 5	R/W	SEQ_PRBSB	0
Bit 4	R/W	B1E1_ENA	0
Bit 3	W	FORCE_ERR	0
Bit 2	—	Unused	X
Bit 1	R/W	INV_PRBS	0
Bit 0	R/W	AMODE	0

DPRGM Indirect Data Register (Register 01h) definition when accessing Indirect Address 8H (IADDR[3:0] is “8H” of register 00H).

AMODE

Sets the DPRGM generator in the Telecom bus or in Autonomous mode. If the AMODE is high, the generator is in Autonomous mode, and the SONET/SDH frame is generated using only the J0 pulse. When AMODE is low, the SONET/SDH frame is received on the Telecom bus. The TOH and the POH are output unmodified, but PRBS is inserted in the payload.

INV_PRBS

Sets the generator to invert the PRBS before inserting it in the payload. When set high, the PRBS bytes will be inverted, else they will be inserted unmodified.

FORCE_ERR

The Force Error bit is used to force bit errors in the inserted pattern. When set high, the MSB of the next byte will be inverted, inducing a single bit error. The register clears itself when the operation is complete. A read operation will always result in a logic ‘0’.

B1E1_ENA

This bit enables the replacement of the B1 byte in the SONET/SDH frame, by a programmable value. The E1 byte is replaced by the complement of the same value. When B1E1_ENA is high, the B1 and E1 bytes are replaced in the frame, else they go through the DPRGM unaltered. The B1/E1 byte insertion is independent of PRBS insertion.

SEQ_PRBSB

This bit enables the insertion of a PRBS sequence or a sequential pattern in the payload. When low, the payload is filled with PRBS bytes, and when high, a sequential pattern is inserted.

SS[1:0]

The SS bits signal is the value to be inserted in bit 2 and 3 of the H1 byte of a concatenated pointer. This value is used when the DPRGM is in processing concatenated payload and in autonomous mode.

DALARM_DIS

The Drop Bus DALARM Disable controls the DALARM port on a per STS-1/STM-0 basis. When low, the DALARM port reports the AIS-P insertion in the receive side for the corresponding STS-1/STM-0 path. When high, the DALARM port will not report AIS-P insertion in the receive stream for the corresponding STS-1/STM-0 path.

Reserved

The reserved bits must be programmed to their default values for proper operation.

GEN_ENA

This bit specifies if PRBS is to be inserted. If GEN_ENA is high, patterns are generated and inserted, else no pattern is generated and the unmodified SONET/SDH input frame is output.

Indirect Register 09H: DPRGM Generator PRBS[22:7] Accumulator

Bit	Type	Function	Default
Bit 15	R/W	PRBS[22]	0
Bit 14	R/W	PRBS[21]	0
Bit 13	R/W	PRBS[20]	0
Bit 12	R/W	PRBS[19]	0
Bit 11	R/W	PRBS[18]	0
Bit 10	R/W	PRBS[17]	0
Bit 9	R/W	PRBS[16]	0
Bit 8	R/W	PRBS[15]	0
Bit 7	R/W	PRBS[14]	0
Bit 6	R/W	PRBS[13]	0
Bit 5	R/W	PRBS[12]	0
Bit 4	R/W	PRBS[11]	0
Bit 3	R/W	PRBS[10]	0
Bit 2	R/W	PRBS[9]	0
Bit 1	R/W	PRBS[8]	0
Bit 0	R/W	PRBS[7]	0

DPRGM Indirect Data Register (Register 01H) definition when accessing Indirect Address 9H (IADDR[3:0] is “9H” of register 00H).

PRBS[22:7]

The PRBS[22:7] register, are the 16 MSBs of the LFSR state of the STS-1 path specified in the Indirect Addressing register. It is possible to write in this register to change the initial state of the register.

Indirect Register 0AH: DPRGM Generator PRBS[6:0] Accumulator

Bit	Type	Function	Default
Bit 15	—	Unused	X
Bit 14	—	Unused	X
Bit 13	—	Unused	X
Bit 12	—	Unused	X
Bit 11	—	Unused	X
Bit 10	—	Unused	X
Bit 9	—	Unused	X
Bit 8	—	Unused	X
Bit 7	—	Unused	X
Bit 6	R/W	PRBS[6]	0
Bit 5	R/W	PRBS[5]	0
Bit 4	R/W	PRBS[4]	0
Bit 3	R/W	PRBS[3]	0
Bit 2	R/W	PRBS[2]	0
Bit 1	R/W	PRBS[1]	0
Bit 0	R/W	PRBS[0]	0

DPRGM Indirect Data Register (Register 01H) definition when accessing Indirect Address AH (IADDR[3:0] is “AH” of register 00H).

PRBS[6:0]

The PRBS[6:0] register, are the seven LSBs of the LFSR state of the STS-1 path specified in the Indirect Addressing register. It is possible to write in this register to change the initial state of the register.

Indirect Register 0BH: DPRGM Generator B1/E1 value

Bit	Type	Function	Default
Bit 15	—	Unused	X
Bit 14	—	Unused	X
Bit 13	—	Unused	X
Bit 12	—	Unused	X
Bit 11	—	Unused	X
Bit 10	—	Unused	X
Bit 9	—	Unused	X
Bit 8	—	Unused	X
Bit 7	R/W	B1[7]	0
Bit 6	R/W	B1[6]	0
Bit 5	R/W	B1[5]	0
Bit 4	R/W	B1[4]	0
Bit 3	R/W	B1[3]	0
Bit 2	R/W	B1[2]	0
Bit 1	R/W	B1[1]	0
Bit 0	R/W	B1[0]	0

DPRGM Indirect Data Register (Register 01H) definition when accessing Indirect Address BH (IADDR[3:0] is “BH” of register 00H).

B1[7:0]

When enabled, the value in this register is inserted in the B1 byte position in the outgoing SONET/SDH frame. The complement of this value is also inserted at the E1 byte position.

Register 0260H, 0660H, 0A60H, and 0E60H: SARC Indirect Address

Bit	Type	Function	Default
Bit 15	—	Unused	X
Bit 14	—	Unused	0
Bit 13	—	Unused	X
Bit 12	—	Unused	X
Bit 11	—	Unused	X
Bit 10	—	Unused	X
Bit 9	—	Unused	X
Bit 8	—	Unused	X
Bit 7	—	Unused	X
Bit 6	—	Unused	X
Bit 5	—	Unused	X
Bit 4	—	Unused	X
Bit 3	R/W	PATH[3]	0
Bit 2	R/W	PATH[2]	0
Bit 1	R/W	PATH[1]	0
Bit 0	R/W	PATH[0]	0

The Indirect Address Register is provided at SARC read/write address 0260H, 0660H, 0A60H, and 0E60H.

PATH[3:0]

The STS-1/STM-0 path (PATH[3:0]) bits select which STS-1/STM-0 path is accessed by the current read or write from the following SARC Path registers 08H, 09H, 0AH, 0BH, 0CH and 0DH.

PATH[3:0]	STS-1/STM-0 path #
0000	Invalid path
0001-1100	Path #1 to Path #12
1101-1111	Invalid path

Register 0262H, 0662H, 0A62H, and 0E62H: SARC Section Configuration

Bit	Type	Function	Default
Bit 15	—	Unused	X
Bit 14	—	Unused	X
Bit 13	—	Unused	X
Bit 12	—	Unused	X
Bit 11	—	Unused	X
Bit 10	—	Unused	X
Bit 9	—	Unused	X
Bit 8	—	Unused	X
Bit 7	—	Unused	X
Bit 6	—	Unused	X
Bit 5	—	Unused	X
Bit 4	—	Unused	X
Bit 3	—	Unused	X
Bit 2	—	Unused	X
Bit 1	R/W	LRDI20	0
Bit 0	R/W	TLRCPEN	0

The Section Configuration Register is provided at SARC read/write address 0262H, 0662H, 0A62H, and 0E62H.

TLRCPEN

The transmit line ring control port enable (TLRCPEN) bit enables the TRCP port. When TLRCPEN is set to logic 1, the APS, RDI-L and REI-L insertion indication are extracted from the TRCP port. When TLRCPEN is set to logic 0, the APS, RDI-L and REI-L insertion indication are derived from the defect detected on the receive data stream.

LRDI20

The line remote defect indication (LRDI20) bit selects the line RDI persistence. When LRDI20 is set to logic 1, a new line RDI indication is transmitted for at least 20 frames. When LRDI20 is set to logic 0, a new line RDI indication is transmitted for at least 10 frames.

Register 0263H, 0663H, 0A63H, and 0E63H: SARC Section Receive SALM Enable

Bit	Type	Function	Default
Bit 15	—	Unused	X
Bit 14	—	Unused	X
Bit 13	—	Unused	X
Bit 12	—	Unused	X
Bit 11	R/W	Reserved	0
Bit 10	R/W	SD/LOS/DOOLEN	0
Bit 9	R/W	SFBEREN	0
Bit 8	R/W	SDBEREN	0
Bit 7	R/W	STIMEN	0
Bit 6	R/W	STIUEN	0
Bit 5	R/W	APSBFEN	0
Bit 4	R/W	LRDIEN	0
Bit 3	R/W	LAISEN	0
Bit 2	R/W	LOSEN	0
Bit 1	R/W	LOFEN	0
Bit 0	R/W	OOFEN	0

The Section Receive SALM Enable Register is provided at SARC read/write address 0263H, 0663H, 0A63H, and 0E63H.

OOFEN

The OOF enable bit allows the out of frame defect to be ORed into the SALM output. When the OOFEN bit is set high, the corresponding defect indication is ORed with other defect indications to trigger the SALM output. When the OOFEN bit is set low, the corresponding defect indication does not affect the SALM output.

LOFEN

The LOF enable bit allows the loss of frame defect to be ORed into the SALM output. When the LOFEN bit is set high, the corresponding defect indication is ORed with other defect indications to trigger the SALM output. When the LOFEN bit is set low, the corresponding defect indication does not affect the SALM output.

LOSEN

The LOS enable bit allows the loss of signal defect to be ORed into the SALM output. When the LOSEN bit is set high, the corresponding defect indication is ORed with other defect indications to trigger the SALM output. When the LOSEN bit is set low, the corresponding defect indication does not affect the SALM output.

LAISEN

The LAIS enable bit allows the line alarm indication signal defect to be ORed into the SALM output. When the LAISEN bit is set high, the corresponding defect indication is ORed with other defect indications to trigger the SALM output. When the LAISEN bit is set low, the corresponding defect indication does not affect the SALM output.

LRDIEN

The LRDI enable bit allows the line remote defect indication defect to be ORed into the SALM output. When the LRDIEN bit is set high, the corresponding defect indication is ORed with other defect indications to trigger the SALM output. When the LRDIEN bit is set low, the corresponding defect indication does not affect the SALM output.

APSBFEN

The APSBF enable bit allows the APS byte failure defect to be ORed into the SALM output. When the APSBFEN bit is set high, the corresponding defect indication is ORed with other defect indications to trigger the SALM output. When the APSBFEN bit is set low, the corresponding defect indication does not affect the SALM output.

STIUEN

The STIU enable bit allows the section trace identifier unstable defect to be ORed into the SALM output. When the STIUEN bit is set high, the corresponding defect indication is ORed with other defect indications to trigger the SALM output. When the STIUEN bit is set low, the corresponding defect indication does not affect the SALM output.

STIMEN

The STIM enable bit allows the section trace identifier mismatch defect to be ORed into the SALM output. When the STIMEN bit is set high, the corresponding defect indication is ORed with other defect indications to trigger the SALM output. When the STIMEN bit is set low, the corresponding defect indication does not affect the SALM output.

SDBEREN

The SDBER enable bit allows the signal degrade BER defect to be ORed into the SALM output. When the SDBEREN bit is set high, the corresponding defect indication is ORed with other defect indications to trigger the SALM output. When the SDBEREN bit is set low, the corresponding defect indication does not affect the SALM output.

SFBEREN

The SFBER enable bit allows the signal failure BER defect to be ORed into the SALM output. When the SFBEREN bit is set high, the corresponding defect indication is ORed with other defect indications to trigger the SALM output. When the SFBEREN bit is set low, the corresponding defect indication does not affect the SALM output.

SD/LOS/DOOLEN

The SD/LOS/DOOL enable bit allows the deassertion of the SD pin or the assertion of LOS or the assertion of DOOL to be ORed into the SALM output. When SD/LOS/DOOLEN is set high, the corresponding defect indication is ORed with other defect indications and output on SALM. When the SD/LOS/DOOLEN bit is set low, the corresponding defect indication does not affect the SALM output.

Reserved

The reserved bit must be programmed to its default value for proper operation.

Register 0264H, 0664H, 0A64H, and 0E64H: SARC Section Receive AIS-L Enable

Bit	Type	Function	Default
Bit 15	—	Unused	X
Bit 14	—	Unused	X
Bit 13	—	Unused	X
Bit 12	—	Unused	X
Bit 11	R/W	Reserved	0
Bit 10	R/W	SD/LOS/DOOLEN	0
Bit 9	R/W	SFBEREN	0
Bit 8	R/W	SDBEREN	0
Bit 7	R/W	STIMEN	0
Bit 6	R/W	STIUEN	0
Bit 5	R/W	APSBFEN	0
Bit 4	R/W	Reserved	0
Bit 3	R/W	LAISEN	0
Bit 2	R/W	LOSEN	0
Bit 1	R/W	LOFEN	0
Bit 0	R/W	OOFEN	0

The Section Receive AIS-L Enable Register is provided at SARC read/write address 0264H, 0664H, 0A64H, and 0E64H.

OOFEN

The OOF enable bit allows the out of frame defect to be ORed into the receive AIS-L generation. When the OOFEN bit is set high, the corresponding defect indication is ORed with other defect indications to enable receive AIS-L generation. When the OOFEN bit is set low, the corresponding defect indication does not enable receive AIS-L generation.

LOFEN

The LOF enable bit allows the loss of frame defect to be ORed into the receive AIS-L generation. When the LOFEN bit is set high, the corresponding defect indication is ORed with other defect indications to enable receive AIS-L generation. When the LOFEN bit is set low, the corresponding defect indication does not enable receive AIS-L generation.

LOSEN

The LOS enable bit allows the loss of signal defect to be ORed into the receive AIS-L generation. When the LOSEN bit is set high, the corresponding defect indication is ORed with other defect indications to enable receive AIS-L generation. When the LOSEN bit is set low, the corresponding defect indication does not enable receive AIS-L generation.

LAISEN

The LAIS enable bit allows the line alarm indication signal defect to be ORed into the receive AIS-L generation. When the LAISEN bit is set high, the corresponding defect indication is ORed with other defect indications to enable receive AIS-L generation. When the LAISEN bit is set low, the corresponding defect indication does not enable receive AIS-L generation.

Reserved

The reserved bits must be programmed to their default values for proper operation.

APSBFEN

The APSBF enable bit allows the APS byte failure defect to be ORed into the receive AIS-L generation. When the APSBFEN bit is set high, the corresponding defect indication is ORed with other defect indications to enable receive AIS-L generation. When the APSBFEN bit is set low, the corresponding defect indication does not enable receive AIS-L generation.

STIUEN

The STIU enable bit allows the section trace identifier unstable defect to be ORed into the receive AIS-L generation. When the STIUEN bit is set high, the corresponding defect indication is ORed with other defect indications to enable receive AIS-L generation. When the STIUEN bit is set low, the corresponding defect indication does not enable receive AIS-L generation.

STIMEN

The STIM enable bit allows the section trace identifier mismatch defect to be ORed into the receive AIS-L generation. When the STIMEN bit is set high, the corresponding defect indication is ORed with other defect indications to enable receive AIS-L generation. When the STIMEN bit is set low, the corresponding defect indication does not enable receive AIS-L generation.

SDBEREN

The SDBER enable bit allows the signal degrade BER defect to be ORed into the receive AIS-L generation. When the SDBEREN bit is set high, the corresponding defect indication is ORed with other defect indications to enable receive AIS-L generation. When the SDBEREN bit is set low, the corresponding defect indication does not enable receive AIS-L generation.

SFBEREN

The SFBER enable bit allows the signal failure BER defect to be ORed into the receive AIS-L generation. When the SFBEREN bit is set high, the corresponding defect indication is ORed with other defect indications to enable receive AIS-L generation. When the SFBEREN bit is set low, the corresponding defect indication does not enable receive AIS-L generation.

SD/LOS/DOOLEN

The SD/LOS/DOOLEN enable bit allows the deassertion of the SD pin or the assertion of LOS defect or the assertion of DOOL defect to be ORed into the receive AIS-L generation. When the SD/LOS/DOOLEN bit is set high, the corresponding defect indication is ORed with other defect indications to enable receive AIS-L generation. When the SD/LOS/DOOLEN bit is set low, the corresponding defect indication does not enable receive AIS-L generation.

Register 0265H, 0665H, 0A65H, and 0E65H: SARC Section Transmit RDI-L Enable

Bit	Type	Function	Default
Bit 15	—	Unused	X
Bit 14	—	Unused	X
Bit 13	—	Unused	X
Bit 12	—	Unused	X
Bit 11	R/W	Reserved	0
Bit 10	R/W	SD/LOS/DOOLEN	0
Bit 9	R/W	SFBEREN	0
Bit 8	R/W	SDBEREN	0
Bit 7	R/W	STIMEN	0
Bit 6	R/W	STIUEN	0
Bit 5	R/W	APSBFEN	0
Bit 4	R/W	Reserved	0
Bit 3	R/W	LAISEN	0
Bit 2	R/W	LOSEN	0
Bit 1	R/W	LOFEN	0
Bit 0	R/W	OOFEN	0

The Section Transmit RDI-L Enable Register is provided at SARC read/write address 0265H, 0665H, 0A65H, and 0E65H.

OOFEN

The OOF enable bit allows the out of frame defect to be ORed into the transmit RDI-L generation. When the OOFEN bit is set high, the corresponding defect indication is ORed with other defect indications to enable transmit RDI-L generation. When the OOFEN bit is set low, the corresponding defect indication does not enable transmit RDI-L generation.

LOFEN

The LOF enable bit allows the loss of frame defect to be ORed into the transmit RDI-L generation. When the LOFEN bit is set high, the corresponding defect indication is ORed with other defect indications to enable transmit RDI-L generation. When the LOFEN bit is set low, the corresponding defect indication does not enable transmit RDI-L generation.

LOSEN

The LOS enable bit allows the loss of signal defect to be ORed into the transmit RDI-L generation. When the LOSEN bit is set high, the corresponding defect indication is ORed with other defect indications to enable transmit RDI-L generation. When the LOSEN bit is set low, the corresponding defect indication does not enable transmit RDI-L generation.

LAISEN

The LAIS enable bit allows the line alarm indication signal defect to be ORed into the transmit RDI-L generation. When the LAISEN bit is set high, the corresponding defect indication is ORed with other defect indications to enable transmit RDI-L generation. When the LAISEN bit is set low, the corresponding defect indication does not enable transmit RDI-L generation.

APSBFEN

The APSBF enable bit allows the APS byte failure defect to be ORed into the transmit RDI-L generation. When the APSBFEN bit is set high, the corresponding defect indication is ORed with other defect indications to enable transmit RDI-L generation. When the APSBFEN bit is set low, the corresponding defect indication does not enable transmit RDI-L generation.

STIUEN

The STIU enable bit allows the section trace identifier unstable defect to be ORed into the transmit RDI-L generation. When the STIUEN bit is set high, the corresponding defect indication is ORed with other defect indications to enable transmit RDI-L generation. When the STIUEN bit is set low, the corresponding defect indication does not enable transmit RDI-L generation.

STIMEN

The STIM enable bit allows the section trace identifier mismatch defect to be ORed into the transmit RDI-L generation. When the STIMEN bit is set high, the corresponding defect indication is ORed with other defect indications to enable transmit RDI-L generation. When the STIMEN bit is set low, the corresponding defect indication does not enable transmit RDI-L generation.

SDBEREN

The SDBER enable bit allows the signal degrade BER defect to be ORed into the transmit RDI-L generation. When the SDBEREN bit is set high, the corresponding defect indication is ORed with other defect indications to enable transmit RDI-L generation. When the SDBEREN bit is set low, the corresponding defect indication does not enable transmit RDI-L generation.

SFBEREN

The SFBER enable bit allows the signal failure BER defect to be ORed into the transmit RDI-L generation. When the SFBEREN bit is set high, the corresponding defect indication is ORed with other defect indications to enable transmit RDI-L generation. When the SFBEREN bit is set low, the corresponding defect indication does not enable transmit RDI-L generation.

SD/LOS/DOOLEN

The SD/LOS/DOOLEN enable bit allows the deassertion of the SD pin or the assertion of LOS defect or the assertion of DOOL defect to be ORed into the transmit RDI-L generation. When the SD/LOS/DOOLEN bit is set high, the corresponding defect indication is ORed with other defect indications to enable transmit RDI-L generation. When the SD/LOS/DOOLEN bit is set low, the corresponding defect indication does not enable transmit RDI-L generation.

Downloaded by Content Team of Partminer Inc on Thursday, 27 April, 2006 03:55:31 PM

Register 0268H, 0668H, 0A68H, and 0E68H: SARC Path Configuration

Bit	Type	Function	Default
Bit 15	—	Unused	X
Bit 14	—	Unused	X
Bit 13	—	Unused	X
Bit 12	—	Unused	X
Bit 11	—	Unused	X
Bit 10	—	Unused	X
Bit 9	—	Unused	X
Bit 8	—	Unused	X
Bit 7	R/W	PRDIEN	0
Bit 6	R/W	PERDI20	0
Bit 5	R/W	TPRCPEN	0
Bit 4	R/W	PLOPTREND	0
Bit 3	R/W	PAISPTRCFG[1]	0
Bit 2	R/W	PAISPTRCFG[0]	0
Bit 1	R/W	PLOPTRCFG[1]	0
Bit 0	R/W	PLOPTRCFG[0]	0

The Path Configuration Register is provided at SARC read/write address 0268H, 0668H, 0A68H, and 0E68H.

PLOPTRCFG[1:0]

The path loss of pointer configuration (PLOPTRCFG[1:0]) bits define the LOP-P defect. When PLOPTRCFG[1:0] is set to 00b, an LOP-P defect is declared when the pointer is in the LOP state and an LOP-P defect is removed when the pointer is not in the LOP state. When PLOPTRCFG[1:0] is set to 01b, an LOP-P defect is declared when the pointer or any of the concatenated pointers is in the LOP state and an LOP-P defect is removed when the pointer and all the concatenation pointers are not in the LOP state. When PLOPTRCFG[1:0] is set to 10b, an LOP-P defect is declared when the pointer or any of the concatenated pointers is in the LOP state or in the AIS state and an LOP-P defect is removed when the pointer and all the concatenation pointers are not in the LOP state or in the AIS state.

PAISPTRCFG[1:0]

The path AIS pointer configuration (PAISPTRCFG[1:0]) bits define the AIS-P defect. When PAISPTRCFG[1:0] is set to 00b, an AIS-P defect is declared when the pointer is in the AIS state and an AIS-P defect is removed when the pointer is not in the AIS state. When PAISPTRCFG[1:0] is set to 01b, an AIS-P defect is declared when the pointer or any of the concatenated pointers is in the AIS state and an AIS-P defect is removed when the pointer and all the concatenation pointers are not in the AIS state. When PAISPTRCFG[1:0] is set to 10b, an AIS-P defect is declared when the pointer and all the concatenated pointers are in the AIS state and an AIS-P defect is removed when the pointer or any of the concatenation pointers is not in the AIS state.

PLOPTREND

The path loss of pointer removal (PLOPTREND) bit controls the removal of a LOP-P defect when an AIS-P defect is declared. When PLOPTREND is set to logic 1, a LOP-P defect is terminated when an AIS-P defect is declared. When PLOPTREND is set to logic 0, a LOP-P defect is not terminated when an AIS-P defect is declared.

TPRCPEN

The transmit path ring control port enable (TPRCPEN) bit enables the TRCP port. When TPRCPEN is set to logic 1, ERDI-P and REI-P insertion indication are extracted from the TRCP port. When TPRCPEN is set to logic 0, ERDI-P and REI-P insertion indication are derived from the defect detected on the receive data stream.

PERDI20

The path enhance remote defect indication (PERDI20) bit selects the path ERDI persistence. When PERDI20 is set to logic 1, a new path ERDI indication is transmitted for at least 20 frames. When PERDI20 is set to logic 0, a new path ERDI indication is transmitted for at least 10 frames.

PRDIEN

The path remote defect indication enable (PRDIEN) bit selects between the 1 bit RDI code and the 3 bits ERDI code. When PRDIEN is set to logic 1, the 1 bit RDI code is transmitted. When PRDIEN is set to logic 0, the 3 bit ERDI code is transmitted.

Register 0269H, 0669H, 0A69H, and 0E69H: SARC Path Receive RALM Enable

Bit	Type	Function	Default
Bit 15	—	Unused	X
Bit 14	—	Unused	X
Bit 13	R/W	Reserved	0
Bit 12	R/W	Reserved	0
Bit 11	R/W	PTIMEN	0
Bit 10	R/W	PTIUEN	0
Bit 9	R/W	PERDIEN	0
Bit 8	R/W	PRDIEN	0
Bit 7	R/W	PPDIEN	0
Bit 6	R/W	PUNEQEN	0
Bit 5	R/W	PPLMEN	0
Bit 4	R/W	PPLUEN	0
Bit 3	R/W	PAISPTREN	0
Bit 2	R/W	PLOPTREN	0
Bit 1	R/W	MSSALMEN	0
Bit 0	R/W	SALMEN	0

The Path Receive PALM Enable Register is provided at SARC read/write address 0269H, 0669H, 0A69H, and 0E69H.

SALMEN

The RSALM enable bit allows the receive section alarm to be ORed into the RALM output. When the SALMEN bit is set high, the corresponding alarm indication is ORed with other defect indications to trigger the RALM output. When the SALMEN bit is set low, the corresponding alarm indication does not affect the RALM output.

MSSALMEN

The master RSALM enable bit allows the master receive section alarm to be ORed into the RALM output. When the MSSALMEN bit is set high, the corresponding alarm indication is ORed with other defect indications to trigger the RALM output. When the MSSALMEN bit is set low, the corresponding alarm indication does not affect the RALM output.

PLOPTREN

The PLOPTR enable bit allows the path loss of pointer defect to be ORed into the RALM output. When the PLOPTREN bit is set high, the corresponding defect indication is ORed with other defect indications to trigger the RALM output. When the PLOPTREN bit is set low, the corresponding defect indication does not affect the RALM output.

PAISPTREN

The PAISPTR enable bit allows the path AIS pointer defect to be ORed into the RALM output. When the PAISPTREN bit is set high, the corresponding defect indication is ORed with other defect indications to trigger the RALM output. When the PAISPTREN bit is set low, the corresponding defect indication does not affect the RALM output.

PPLUEN

The PPLU enable bit allows the path payload label unstable defect to be ORed into the RALM output. When the PPLUEN bit is set high, the corresponding defect indication is ORed with other defect indications to trigger the RALM output. When the PPLUEN bit is set low, the corresponding defect indication does not affect the RALM output.

PPLMEN

The PPLM enable bit allows the path payload label mismatch defect to be ORed into the RALM output. When the PPLMEN bit is set high, the corresponding defect indication is ORed with other defect indications to trigger the RALM output. When the PPLMEN bit is set low, the corresponding defect indication does not affect the RALM output.

PUNEQEN

The PUNEQ enable bit allows the path unequipped defect to be ORed into the RALM output. When the PUNEQEN bit is set high, the corresponding defect indication is ORed with other defect indications to trigger the RALM output. When the PUNEQEN bit is set low, the corresponding defect indication does not affect the RALM output.

PPDIEN

The PPDI enable bit allows the path payload defect indication defect to be ORed into the RALM output. When the PPDIEN bit is set high, the corresponding defect indication is ORed with other defect indications to trigger the RALM output. When the PPDIEN bit is set low, the corresponding defect indication does not affect the RALM output.

PRDIEN

The PRDI enable bit allows the path remote defect indication defect to be ORed into the RALM output. When the PRDIEN bit is set high, the corresponding defect indication is ORed with other defect indications to trigger the RALM output. When the PRDIEN bit is set low, the corresponding defect indication does not affect the RALM output.

PERDIEN

The PERDI enable bit allows the path enhanced remote defect indication defect to be ORed into the RALM output. When the PERDIEN bit is set high, the corresponding defect indication is ORed with other defect indications to trigger the RALM output. When the PERDIEN bit is set low, the corresponding defect indication does not affect the RALM output.

PTIUEN

The PTIU enable bit allows the path trace identifier unstable defect to be ORed into the RALM output. When the PTIUEN bit is set high, the corresponding defect indication is ORed with other defect indications to trigger the RALM output. When the PTIUEN bit is set low, the corresponding defect indication does not affect the RALM output.

PTIMEN

The PTIM enable bit allows the path trace identifier mismatch defect to be ORed into the RALM output. When the PTIMEN bit is set high, the corresponding defect indication is ORed with other defect indications to trigger the RALM output. When the PTIMEN bit is set low, the corresponding defect indication does not affect the RALM output.

Reserved

The reserved bits must be programmed to their default values for proper operation.

Register 026AH, 066AH, 0A6AH, and 0E6AH: SARC Path Receive AIS-P Enable

Bit	Type	Function	Default
Bit 15	—	Unused	X
Bit 14	—	Unused	X
Bit 13	R/W	Reserved	0
Bit 12	R/W	Reserved	0
Bit 11	R/W	PTIMEN	0
Bit 10	R/W	PTIUEN	0
Bit 9	R/W	Reserved	0
Bit 8	R/W	Reserved	0
Bit 7	R/W	PPDIEN	0
Bit 6	R/W	PUNEQEN	0
Bit 5	R/W	PPLMEN	0
Bit 4	R/W	PPLUEN	0
Bit 3	R/W	PAISPTREN	0
Bit 2	R/W	PLOPTREN	0
Bit 1	R/W	MSRLAISINSEN	0
Bit 0	R/W	RLAISINSEN	0

The Path Receive AIS-P Enable Register is provided at SARC read/write address 026AH, 066AH, 0A6AH, and 0E6AH.

RLAISINSEN

The RLAISINS enable bit allows the line AIS insertion indication to be ORed into the receive AIS-P generation. When the RLAISINSEN bit is set high, the corresponding insertion indication is ORed with other defect indications to enable receive AIS-P generation. When the RLAISINSEN bit is set low, the corresponding insertion indication does not enable receive AIS-P generation.

MSRLAISINSEN

The master RLAISINS enable bit allows the master line AIS insertion indication to be ORed into the receive AIS-P generation. When the RLAISINSEN bit is set high, the corresponding insertion indication is ORed with other defect indications to enable receive AIS-P generation. When the MSRLAISINSEN bit is set low, the corresponding insertion indication does not enable receive AIS-P generation.

PLOPTREN

The PLOPTR enable bit allows the path loss of pointer defect to be ORed into the receive AIS-P generation. When the PLOPTREN bit is set high, the corresponding defect indication is ORed with other defect indications to enable receive AIS-P generation. When the PLOPTREN bit is set low, the corresponding defect indication does not enable receive AIS-P generation.

PAISPTREN

The PAISPTR enable bit allows the path AIS pointer defect to be ORed into the receive AIS-P generation. When the PAISPTREN bit is set high, the corresponding defect indication is ORed with other defect indications to enable receive AIS-P generation. When the PAISPTREN bit is set low, the corresponding defect indication does not enable receive AIS-P generation.

PPLUEN

The PPLU enable bit allows the path payload label unstable defect to be ORed into the receive AIS-P generation. When the PPLUEN bit is set high, the corresponding defect indication is ORed with other defect indications to enable receive AIS-P generation. When the PPLUEN bit is set low, the corresponding defect indication does not enable receive AIS-P generation.

PPLMEN

The PPLM enable bit allows the path payload label mismatch defect to be ORed into the receive AIS-P generation. When the PPLMEN bit is set high, the corresponding defect indication is ORed with other defect indications to enable receive AIS-P generation. When the PPLMEN bit is set low, the corresponding defect indication does not enable receive AIS-P generation.

PUNEQEN

The PUNEQ enable bit allows the path unequipped defect to be ORed into the receive AIS-P generation. When the PUNEQEN bit is set high, the corresponding defect indication is ORed with other defect indications to enable receive AIS-P generation. When the PUNEQEN bit is set low, the corresponding defect indication does not enable receive AIS-P generation.

PPDIEN

The PPDI enable bit allows the path payload defect indication defect to be ORed into the receive AIS-P generation. When the PPDIEN bit is set high, the corresponding defect indication is ORed with other defect indications to enable receive AIS-P generation. When the PPDIEN bit is set low, the corresponding defect indication does not enable receive AIS-P generation.

Reserved

The reserved bits must be programmed to their default values for proper operation.

PTIUEN

The PTIU enable bit allows the path trace identifier unstable defect to be ORed into the receive AIS-P generation. When the PTIUEN bit is set high, the corresponding defect indication is ORed with other defect indications to enable receive AIS-P generation. When the PTIUEN bit is set low, the corresponding defect indication does not enable receive AIS-P generation.

PTIMEN

The PTIM enable bit allows the path trace identifier mismatch defect to be ORed into the receive AIS-P generation. When the PTIMEN bit is set high, the corresponding defect indication is ORed with other defect indications to enable receive AIS-P generation. When the PTIMEN bit is set low, the corresponding defect indication does not enable receive AIS-P generation.

Register 026BH, 066BH, 0A6BH, and 0E6BH: SARC TU3 Path Configuration

Bit	Type	Function	Default
Bit 15	—	Unused	X
Bit 14	—	Unused	X
Bit 13	—	Unused	X
Bit 12	—	Unused	X
Bit 11	—	Unused	X
Bit 10	—	Unused	X
Bit 9	—	Unused	X
Bit 8	—	Unused	X
Bit 7	R/W	PRDIEN	0
Bit 6	R/W	PERDI20	0
Bit 5	R/W	TPRCPEN	0
Bit 4	R/W	PLOPTREND	0
Bit 3	—	Unused	X
Bit 2	—	Unused	X
Bit 1	—	Unused	X
Bit 0	R/W	PLOPTRCFG	0

The TU3 Path Configuration Register is provided at SARC read/write address 026BH, 066BH, 0A6BH, and 0E6BH.

PLOPTRCFG

The path loss of pointer configuration (PLOPTRCFG) bit defines the LOP-P defect. When PLOPTRCFG is set to zero, an LOP-P defect is declared when the pointer is in the LOP state and an LOP-P defect is removed when the pointer is not in the LOP state. When PLOPTRCFG is set to one, an LOP-P defect is declared when the pointer is in the LOP state or in the AIS state and an LOP-P defect is removed when the pointer is not in the LOP state or in the AIS state.

PLOPTREND

The path loss of pointer removal (PLOPTREND) bit controls the removal of a LOP-P defect when an AIS-P defect is declared. When PLOPTREND is set to logic 1, a LOP-P defect is terminated when an AIS-P defect is declared. When PLOPTREND is set to logic 0, a LOP-P defect is not terminated when an AIS-P defect is declared.

TPRCPEN

The transmit path ring control port enable (TPRCPEN) bit enables the TRCP port. When TPRCPEN is set to logic 1, ERDI-P and REI-P insertion indication are extracted from the TRCP port. When TPRCPEN is set to logic 0, ERDI-P and REI-P insertion indication are derived from the defect detected on the receive data stream.

PERDI20

The path enhance remote defect indication (PERDI20) bit selects the path ERDI persistence. When PERDI20 is set to logic 1, a new path ERDI indication is transmitted for at least 20 frames. When PERDI20 is set to logic 0, a new path ERDI indication is transmitted for at least 10 frames.

PRDIEN

The path remote defect indication enable (PRDIEN) bit selects between the 1 bit RDI code and the 3 bits ERDI code. When PRDIEN is set to logic 1, the 1 bit RDI code is transmitted. When PRDIEN is set to logic 0, the 3 bit ERDI code is transmitted.

Register 026CH, 066CH, 0A6CH, and 0E6CH: SARC TU3 Path Receive RALM Enable

Bit	Type	Function	Default
Bit 15	—	Unused	X
Bit 14	—	Unused	X
Bit 13	R/W	Reserved	0
Bit 12	R/W	Reserved	0
Bit 11	R/W	PTIMEN	0
Bit 10	R/W	PTIUEN	0
Bit 9	R/W	PERDIEN	0
Bit 8	R/W	PRDIEN	0
Bit 7	R/W	PPDIEN	0
Bit 6	R/W	PUNEQEN	0
Bit 5	R/W	PPLMEN	0
Bit 4	R/W	PPLUEN	0
Bit 3	R/W	PAISPTREN	0
Bit 2	R/W	PLOPTREN	0
Bit 1	R/W	MSRSALMEN	0
Bit 0	R/W	RSALMEN	0

The TU3 Path Receive RALM Enable Register is provided at SARC read/write address 026CH, 066CH, 0A6CH, and 0E6CH.

SALMEN

The RSALM enable bit allows the receive section alarm to be ORed into the RALM output. When the RSALMEN bit is set high, the corresponding alarm indication is ORed with other defect indications to trigger the RALM output. When the SALMEN bit is set low, the corresponding alarm indication does not affect the RALM output.

MSSALMEN

The master RSALM enable bit allows the master receive section alarm to be ORed into the RALM output. When the MSRSALMEN bit is set high, the corresponding alarm indication is ORed with other defect indications to trigger the RALM output. When the MSSALMEN bit is set low, the corresponding alarm indication does not affect the RALM output.

PLOPTREN

The PLOPTR enable bit allows the path loss of pointer defect to be ORed into the RALM output. When the PLOPTREN bit is set high, the corresponding defect indication is ORed with other defect indications to trigger the RALM output. When the PLOPTREN bit is set low, the corresponding defect indication does not affect the RALM output.

PAISPTREN

The PAISPTR enable bit allows the path AIS pointer defect to be ORed into the RALM output. When the PAISPTREN bit is set high, the corresponding defect indication is ORed with other defect indications to trigger the RALM output. When the PAISPTREN bit is set low, the corresponding defect indication does not affect the RALM output.

PPLUEN

The PPLU enable bit allows the path payload label unstable defect to be ORed into the RALM output. When the PPLUEN bit is set high, the corresponding defect indication is ORed with other defect indications to trigger the RALM output. When the PPLUEN bit is set low, the corresponding defect indication does not affect the RALM output.

PPLMEN

The PPLM enable bit allows the path payload label mismatch defect to be ORed into the RALM output. When the PPLMEN bit is set high, the corresponding defect indication is ORed with other defect indications to trigger the RALM output. When the PPLMEN bit is set low, the corresponding defect indication does not affect the RALM output.

PUNEQEN

The PUNEQ enable bit allows the path unequipped defect to be ORed into the RALM output. When the PUNEQEN bit is set high, the corresponding defect indication is ORed with other defect indications to trigger the RALM output. When the PUNEQEN bit is set low, the corresponding defect indication does not affect the RALM output.

PPDIEN

The PPDI enable bit allows the path payload defect indication defect to be ORed into the RALM output. When the PPDIEN bit is set high, the corresponding defect indication is ORed with other defect indications to trigger the RALM output. When the PPDIEN bit is set low, the corresponding defect indication does not affect the RALM output.

PRDIEN

The PRDI enable bit allows the path remote defect indication defect to be ORed into the RALM output. When the PRDIEN bit is set high, the corresponding defect indication is ORed with other defect indications to trigger the RALM output. When the PRDIEN bit is set low, the corresponding defect indication does not affect the RALM output.

PERDIEN

The PERDI enable bit allows the path enhanced remote defect indication defect to be ORed into the RALM output. When the PERDIEN bit is set high, the corresponding defect indication is ORed with other defect indications to trigger the RALM output. When the PERDIEN bit is set low, the corresponding defect indication does not affect the RALM output.

PTIUEN

The PTIU enable bit allows the path trace identifier unstable defect to be ORed into the RALM output. When the PTIUEN bit is set high, the corresponding defect indication is ORed with other defect indications to trigger the RALM output. When the PTIUEN bit is set low, the corresponding defect indication does not affect the RALM output.

PTIMEN

The PTIM enable bit allows the path trace identifier mismatch defect to be ORed into the RALM output. When the PTIMEN bit is set high, the corresponding defect indication is ORed with other defect indications to trigger the RALM output. When the PTIMEN bit is set low, the corresponding defect indication does not affect the RALM output.

Reserved

The reserved bits must be programmed to their default values for proper operation.

Register 026DH, 066DH, 0A6DH, and 0E6DH: SARC TU3 Path Receive AIS-P Enable

Bit	Type	Function	Default
Bit 15	—	Unused	X
Bit 14	—	Unused	X
Bit 13	R/W	Reserved	0
Bit 12	R/W	Reserved	0
Bit 11	R/W	PTIMEN	0
Bit 10	R/W	PTIUEN	0
Bit 9	R/W	Reserved	0
Bit 8	R/W	Reserved	0
Bit 7	R/W	PPDIEN	0
Bit 6	R/W	PUNEQEN	0
Bit 5	R/W	PPLMEN	0
Bit 4	R/W	PPLUEN	0
Bit 3	R/W	PAISPTREN	0
Bit 2	R/W	PLOPTREN	0
Bit 1	R/W	MSRLAISINSEN	0
Bit 0	R/W	RLAISINSEN	0

The TU3 Path Receive AIS-P Enable Register is provided at SARC read/write address 026DH, 066DH, 0A6DH, and 0E6DH.

RLAISINSEN

The RLAISINS enable bit allows the line AIS insertion indication to be ORed into the receive AIS-P generation. When the RLAISINSEN bit is set high, the corresponding insertion indication is ORed with other defect indications to enable receive AIS-P generation. When the RLAISINSEN bit is set low, the corresponding insertion indication does not enable receive AIS-P generation.

MSRLAISINSEN

The master RLAISINS enable bit allows the master line AIS insertion indication to be ORed into the receive AIS-P generation. When the RLAISINSEN bit is set high, the corresponding insertion indication is ORed with other defect indications to enable receive AIS-P generation. When the MSRLAISINSEN bit is set low, the corresponding insertion indication does not enable receive AIS-P generation.

PLOPTREN

The PLOPTR enable bit allows the path loss of pointer defect to be ORed into the receive AIS-P generation. When the PLOPTREN bit is set high, the corresponding defect indication is ORed with other defect indications to enable receive AIS-P generation. When the PLOPTREN bit is set low, the corresponding defect indication does not enable receive AIS-P generation.

PAISPTREN

The PAISPTR enable bit allows the path AIS pointer defect to be ORed into the receive AIS-P generation. When the PAISPTREN bit is set high, the corresponding defect indication is ORed with other defect indications to enable receive AIS-P generation. When the PAISPTREN bit is set low, the corresponding defect indication does not enable receive AIS-P generation.

PPLUEN

The PPLU enable bit allows the path payload label unstable defect to be ORed into the receive AIS-P generation. When the PPLUEN bit is set high, the corresponding defect indication is ORed with other defect indications to enable receive AIS-P generation. When the PPLUEN bit is set low, the corresponding defect indication does not enable receive AIS-P generation.

PPLMEN

The PPLM enable bit allows the path payload label mismatch defect to be ORed into the receive AIS-P generation. When the PPLMEN bit is set high, the corresponding defect indication is ORed with other defect indications to enable receive AIS-P generation. When the PPLMEN bit is set low, the corresponding defect indication does not enable receive AIS-P generation.

PUNEQEN

The PUNEQ enable bit allows the path unequipped defect to be ORed into the receive AIS-P generation. When the PUNEQEN bit is set high, the corresponding defect indication is ORed with other defect indications to enable receive AIS-P generation. When the PUNEQEN bit is set low, the corresponding defect indication does not enable receive AIS-P generation.

PPDIEN

The PPDI enable bit allows the path payload defect indication defect to be ORed into the receive AIS-P generation. When the PPDIEN bit is set high, the corresponding defect indication is ORed with other defect indications to enable receive AIS-P generation. When the PPDIEN bit is set low, the corresponding defect indication does not enable receive AIS-P generation.

PTIUEN

The PTIU enable bit allows the path trace identifier unstable defect to be ORed into the receive AIS-P generation. When the PTIUEN bit is set high, the corresponding defect indication is ORed with other defect indications to enable receive AIS-P generation. When the PTIUEN bit is set low, the corresponding defect indication does not enable receive AIS-P generation.

PTIMEN

The PTIM enable bit allows the path trace identifier mismatch defect to be ORed into the receive AIS-P generation. When the PTIMEN bit is set high, the corresponding defect indication is ORed with other defect indications to enable receive AIS-P generation. When the PTIMEN bit is set low, the corresponding defect indication does not enable receive AIS-P generation.

Reserved

The reserved bits must be programmed to their default values for proper operation.

Register 0270H, 0670H, 0A70H, and 0E70H: SARC LOP Pointer Status

Bit	Type	Function	Default
Bit 15	—	Unused	X
Bit 14	—	Unused	X
Bit 13	—	Unused	X
Bit 12	—	Unused	X
Bit 11	R	PLOPTRV[12]	X
Bit 10	R	PLOPTRV[11]	X
Bit 9	R	PLOPTRV[10]	X
Bit 8	R	PLOPTRV[9]	X
Bit 7	R	PLOPTRV[8]	X
Bit 6	R	PLOPTRV[7]	X
Bit 5	R	PLOPTRV[6]	X
Bit 4	R	PLOPTRV[5]	X
Bit 3	R	PLOPTRV[4]	X
Bit 2	R	PLOPTRV[3]	X
Bit 1	R	PLOPTRV[2]	X
Bit 0	R	PLOPTRV[1]	X

The LOP Pointer Status Register is provided at SARC read/write address 0270H, 0670H, 0A70H, and 0E70H.

PLOPTRV[12:1]

The path loss of pointer status (PLOPTRV[12:1]) bits indicate the current status of the LOP-P defect for STS-1/STM-0 paths #1 to #12. When PLOPTRCFG register bits are set to 00b, PLOPTRV is asserted when the pointer is in the LOP state and PLOPTRV is negated when the pointer is not in the LOP state. When PLOPTRCFG register bits are set to 01b, PLOPTRV is asserted when the pointer or any of the concatenated pointers is in the LOP state and PLOPTRV is negated when the pointer and all the concatenation pointers are not in the LOP state. When PLOPTRCFG register bits are set to 10b, PLOPTRV is asserted when the pointer or any of the concatenated pointers is in the LOP state or in the AIS state and PLOPTRV is negated when the pointer and all the concatenation pointers are not in the LOP state or in the AIS state. When the PLOPTREND register bit is set to one, PLOPTRV is negated when an AIS-P defect is detected.

Register 0271H, 0671H, 0A71H, and 0E71H: SARC LOP Pointer Interrupt Enable

Bit	Type	Function	Default
Bit 15	—	Unused	X
Bit 14	—	Unused	X
Bit 13	—	Unused	X
Bit 12	—	Unused	X
Bit 11	R/W	PLOPTRE[12]	0
Bit 10	R/W	PLOPTRE[11]	0
Bit 9	R/W	PLOPTRE[10]	0
Bit 8	R/W	PLOPTRE[9]	0
Bit 7	R/W	PLOPTRE[8]	0
Bit 6	R/W	PLOPTRE[7]	0
Bit 5	R/W	PLOPTRE[6]	0
Bit 4	R/W	PLOPTRE[5]	0
Bit 3	R/W	PLOPTRE[4]	0
Bit 2	R/W	PLOPTRE[3]	0
Bit 1	R/W	PLOPTRE[2]	0
Bit 0	R/W	PLOPTRE[1]	0

The LOP Pointer Interrupt Enable Register is provided at SARC read/write address 0271H, 0671H, 0A71H, and 0E71H.

PLOPTRE[12:1]

The path loss of pointer interrupt enable (PLOPTRE[12:1]) bits control the activation of the interrupt output for STS-1/STM-0 paths #1 to #12. When any of these bit locations is set to logic 1, the corresponding pending interrupt will assert the interrupt output. When any of these bit locations is set to logic 0, the corresponding pending interrupt will not assert the interrupt output.

Register 0272H, 0672H, 0A72H, and 0E72H: SARC LOP Pointer Interrupt Status

Bit	Type	Function	Default
Bit 15	—	Unused	X
Bit 14	—	Unused	X
Bit 13	—	Unused	X
Bit 12	—	Unused	X
Bit 11	R	PLOPTRI[12]	X
Bit 10	R	PLOPTRI[11]	X
Bit 9	R	PLOPTRI[10]	X
Bit 8	R	PLOPTRI[9]	X
Bit 7	R	PLOPTRI[8]	X
Bit 6	R	PLOPTRI[7]	X
Bit 5	R	PLOPTRI[6]	X
Bit 4	R	PLOPTRI[5]	X
Bit 3	R	PLOPTRI[4]	X
Bit 2	R	PLOPTRI[3]	X
Bit 1	R	PLOPTRI[2]	X
Bit 0	R	PLOPTRI[1]	X

The LOP Pointer Interrupt Status Register is provided at SARC read/write address 0272H, 0672H, 0A72H, and 0E72H.

PLOPTRI[12:1]

The path loss of pointer interrupt status (PLOPTRI[12:1]) bits are event indicators for STS-1/STM-0 paths #1 to #12. PLOPTRI[12:1] are set to logic 1 to indicate any changes in the status of PLOPTRV[12:1]. These interrupt status bits are independent of the interrupt enable bits. PLOPTRI[12:1] are cleared to logic 0 when this register is read.

Register 0273H, 0673H, 0A73H, and 0E73H: SARC AIS Pointer Status

Bit	Type	Function	Default
Bit 15	—	Unused	X
Bit 14	—	Unused	X
Bit 13	—	Unused	X
Bit 12	—	Unused	X
Bit 11	R	PAISPTRV[12]	X
Bit 10	R	PAISPTRV[11]	X
Bit 9	R	PAISPTRV[10]	X
Bit 8	R	PAISPTRV[9]	X
Bit 7	R	PAISPTRV[8]	X
Bit 6	R	PAISPTRV[7]	X
Bit 5	R	PAISPTRV[6]	X
Bit 4	R	PAISPTRV[5]	X
Bit 3	R	PAISPTRV[4]	X
Bit 2	R	PAISPTRV[3]	X
Bit 1	R	PAISPTRV[2]	X
Bit 0	R	PAISPTRV[1]	X

The AIS Pointer Status Register is provided at SARC read/write address 0273H, 0673H, 0A73H, and 0E73H.

PAISPTRV[12:1]

The path AIS pointer status (PAISPTRV[12:1]) bits indicate the current status of the AIS-P defect for STS-1/STM-0 paths #1 to #12. When PAISPTRCFG register bits are set to 00b, PAISPTRV is asserted when the pointer is in the AIS state and PAISPTRV is negated when the pointer is not in the AIS state. When PAISPTRCFG register bits are set to 01b, PAISPTRV is asserted when the pointer or any of the concatenated pointers is in the AIS state and PAISPTRV is negated when the pointer and all the concatenation pointers are not in the AIS state. When PAISPTRCFG register bits are set to 10b, PAISPTRV is asserted when the pointer and all the concatenated pointers are in the AIS state and PAISPTRV is negated when the pointer or any of the concatenation pointers are not in the AIS state.

Register 0274H, 0674H, 0A74H, and 0E74H: SARC AIS Pointer Interrupt Enable

Bit	Type	Function	Default
Bit 15	—	Unused	X
Bit 14	—	Unused	X
Bit 13	—	Unused	X
Bit 12	—	Unused	X
Bit 11	R/W	PAISPTRE[12]	0
Bit 10	R/W	PAISPTRE[11]	0
Bit 9	R/W	PAISPTRE[10]	0
Bit 8	R/W	PAISPTRE[9]	0
Bit 7	R/W	PAISPTRE[8]	0
Bit 6	R/W	PAISPTRE[7]	0
Bit 5	R/W	PAISPTRE[6]	0
Bit 4	R/W	PAISPTRE[5]	0
Bit 3	R/W	PAISPTRE[4]	0
Bit 2	R/W	PAISPTRE[3]	0
Bit 1	R/W	PAISPTRE[2]	0
Bit 0	R/W	PAISPTRE[1]	0

The AIS Pointer Interrupt Enable Register is provided at SARC read/write address 0274H, 0674H, 0A74H, and 0E74H.

PAISPTRE[12:1]

The path AIS signal pointer interrupt enable (PAISPTRE[12:1]) bits control the activation of the interrupt output for STS-1/STM-0 paths #1 to #12. When any of these bit locations is set to logic 1, the corresponding pending interrupt will assert the interrupt output. When any of these bit locations is set to logic 0, the corresponding pending interrupt will not assert the interrupt output.

Register 0275H, 0675H, 0A75H, and 0E75H: SARC AIS Pointer Interrupt Status

Bit	Type	Function	Default
Bit 15	—	Unused	X
Bit 14	—	Unused	X
Bit 13	—	Unused	X
Bit 12	—	Unused	X
Bit 11	R	PAISPTRI[12]	X
Bit 10	R	PAISPTRI[11]	X
Bit 9	R	PAISPTRI[10]	X
Bit 8	R	PAISPTRI[9]	X
Bit 7	R	PAISPTRI[8]	X
Bit 6	R	PAISPTRI[7]	X
Bit 5	R	PAISPTRI[6]	X
Bit 4	R	PAISPTRI[5]	X
Bit 3	R	PAISPTRI[4]	X
Bit 2	R	PAISPTRI[3]	X
Bit 1	R	PAISPTRI[2]	X
Bit 0	R	PAISPTRI[1]	X

The AIS Pointer Interrupt Status Register is provided at SARC read/write address 0275H, 0675H, 0A75H, and 0E75H.

PAISPTRI[12:1]

The path AIS pointer interrupt status (PAISPTRI[12:1]) bits are event indicators for STS-1/STM-0 paths #1 to #12. PAISPTRI[12:1] are set to logic 1 to indicate any changes in the status of PAISPTRV[12:1]. These interrupt status bits are independent of the interrupt enable bits. PAISPTRI[12:1] are cleared to logic 0 when this register is read.

Register 0278H, 068DH, 0A78H, and 0E78H: SARC TU3 LOP Pointer Status

Bit	Type	Function	Default
Bit 15	—	Unused	X
Bit 14	—	Unused	X
Bit 13	—	Unused	X
Bit 12	—	Unused	X
Bit 11	R	PLOPTRV[12]	X
Bit 10	R	PLOPTRV[11]	X
Bit 9	R	PLOPTRV[10]	X
Bit 8	R	PLOPTRV[9]	X
Bit 7	R	PLOPTRV[8]	X
Bit 6	R	PLOPTRV[7]	X
Bit 5	R	PLOPTRV[6]	X
Bit 4	R	PLOPTRV[5]	X
Bit 3	R	PLOPTRV[4]	X
Bit 2	R	PLOPTRV[3]	X
Bit 1	R	PLOPTRV[2]	X
Bit 0	R	PLOPTRV[1]	X

The TU3 LOP Pointer Status Register is provided at SARC read/write address 0278H, 0678H, 0A78H, and 0E78H.

PLOPTRV[12:1]

The TU3 path loss of pointer status (PLOPTRV[12:1]) bits indicate the current status of the LOP-P defect for STS-1/STM-0 paths #1 to #12. When PLOPTRCFG register bit is set to zero, PLOPTRV is asserted when the TU3 pointer is in the LOP state and PLOPTRV is negated when the TU3 pointer is not in the LOP state. When PLOPTRCFG register bit is set to one, PLOPTRV is asserted when the TU3 pointer is in the LOP state or AIS state and PLOPTRV is negated when the TU3 pointer is not in the LOP state or AIS state. When the PLOPTREND register bit is set to one, PLOPTRV is negated when an AIS-P defect is detected.

Register 0279H, 0679H, 0A79H, and 0E79H: SARC TU3 LOP Pointer Interrupt Enable

Bit	Type	Function	Default
Bit 15	—	Unused	X
Bit 14	—	Unused	X
Bit 13	—	Unused	X
Bit 12	—	Unused	X
Bit 11	R/W	PLOPTRE[12]	0
Bit 10	R/W	PLOPTRE[11]	0
Bit 9	R/W	PLOPTRE[10]	0
Bit 8	R/W	PLOPTRE[9]	0
Bit 7	R/W	PLOPTRE[8]	0
Bit 6	R/W	PLOPTRE[7]	0
Bit 5	R/W	PLOPTRE[6]	0
Bit 4	R/W	PLOPTRE[5]	0
Bit 3	R/W	PLOPTRE[4]	0
Bit 2	R/W	PLOPTRE[3]	0
Bit 1	R/W	PLOPTRE[2]	0
Bit 0	R/W	PLOPTRE[1]	0

The TU3 LOP Pointer Interrupt Enable Register is provided at SARC read/write address 0279H, 0679H, 0A79H, and 0E79H.

PLOPTRE[12:1]

The TU3 path loss of pointer interrupt enable (PLOPTRE[12:1]) bits control the activation of the interrupt output for STS-1/STM-0 paths #1 to #12. When any of these bit locations is set to logic 1, the corresponding pending interrupt will assert the interrupt output. When any of these bit locations is set to logic 0, the corresponding pending interrupt will not assert the interrupt output.

Register 027AH, 067AH, 0A7AH, and 0E7AH: SARC TU3 LOP Pointer Interrupt Status

Bit	Type	Function	Default
Bit 15	—	Unused	X
Bit 14	—	Unused	X
Bit 13	—	Unused	X
Bit 12	—	Unused	X
Bit 11	R	PLOPTRI[12]	X
Bit 10	R	PLOPTRI[11]	X
Bit 9	R	PLOPTRI[10]	X
Bit 8	R	PLOPTRI[9]	X
Bit 7	R	PLOPTRI[8]	X
Bit 6	R	PLOPTRI[7]	X
Bit 5	R	PLOPTRI[6]	X
Bit 4	R	PLOPTRI[5]	X
Bit 3	R	PLOPTRI[4]	X
Bit 2	R	PLOPTRI[3]	X
Bit 1	R	PLOPTRI[2]	X
Bit 0	R	PLOPTRI[1]	X

The TU3 LOP Pointer Interrupt Status Register is provided at SARC read/write address 027AH, 067AH, 0A7AH, and 0E7AH.

PLOPTRI[12:1]

The TU3 path loss of pointer interrupt status (PLOPTRI[12:1]) bits are event indicators for STS-1/STM-0 paths #1 to #12. PLOPTRI[12:1] are set to logic 1 to indicate any changes in the status of PLOPTRV[12:1]. These interrupt status bits are independent of the interrupt enable bits. PLOPTRI[12:1] are cleared to logic 0 when this register is read.

Register 027BH, 067BH, 0A7BH, and 0E7BH: SARC TU3 AIS Pointer Status

Bit	Type	Function	Default
Bit 15	—	Unused	X
Bit 14	—	Unused	X
Bit 13	—	Unused	X
Bit 12	—	Unused	X
Bit 11	R	PAISPTRV[12]	X
Bit 10	R	PAISPTRV[11]	X
Bit 9	R	PAISPTRV[10]	X
Bit 8	R	PAISPTRV[9]	X
Bit 7	R	PAISPTRV[8]	X
Bit 6	R	PAISPTRV[7]	X
Bit 5	R	PAISPTRV[6]	X
Bit 4	R	PAISPTRV[5]	X
Bit 3	R	PAISPTRV[4]	X
Bit 2	R	PAISPTRV[3]	X
Bit 1	R	PAISPTRV[2]	X
Bit 0	R	PAISPTRV[1]	X

The TU3 AIS Pointer Status Register is provided at SARC read/write address 027BH, 067BH, 0A7BH, and 0E7BH.

PAISPTRV[12:1]

The TU3 path AIS pointer status (PAISPTRV[12:1]) bits indicate the current status of the AIS-P defect for STS-1/STM-0 paths #1 to #12. PAISPTRV is asserted when the pointer is in the AIS state and PAISPTRV is negated when the pointer is not in the AIS state.

Register 027CH, 067CH, 0A7CH, and 0E7CH: SARC TU3 AIS Pointer Interrupt Enable

Bit	Type	Function	Default
Bit 15	—	Unused	X
Bit 14	—	Unused	X
Bit 13	—	Unused	X
Bit 12	—	Unused	X
Bit 11	R/W	PAISPTRE[12]	0
Bit 10	R/W	PAISPTRE[11]	0
Bit 9	R/W	PAISPTRE[10]	0
Bit 8	R/W	PAISPTRE[9]	0
Bit 7	R/W	PAISPTRE[8]	0
Bit 6	R/W	PAISPTRE[7]	0
Bit 5	R/W	PAISPTRE[6]	0
Bit 4	R/W	PAISPTRE[5]	0
Bit 3	R/W	PAISPTRE[4]	0
Bit 2	R/W	PAISPTRE[3]	0
Bit 1	R/W	PAISPTRE[2]	0
Bit 0	R/W	PAISPTRE[1]	0

The TU3 AIS Pointer Interrupt Enable Register is provided at SARC read/write address 027CH, 067CH, 0A7CH, and 0E7CH.

PAISPTRE[12:1]

The TU3 path AIS pointer interrupt enable (PAISPTRE[12:1]) bits control the activation of the interrupt output for STS-1/STM-0 paths #1 to #12. When any of these bit locations is set to logic 1, the corresponding pending interrupt will assert the interrupt output. When any of these bit locations is set to logic 0, the corresponding pending interrupt will not assert the interrupt output.

Register 027DH, 067DH, 0A7DH, and 0E7DH: SARC TU3 AIS Pointer Interrupt Status

Bit	Type	Function	Default
Bit 15	—	Unused	X
Bit 14	—	Unused	X
Bit 13	—	Unused	X
Bit 12	—	Unused	X
Bit 11	R	PAISPTRI[12]	X
Bit 10	R	PAISPTRI[11]	X
Bit 9	R	PAISPTRI[10]	X
Bit 8	R	PAISPTRI[9]	X
Bit 7	R	PAISPTRI[8]	X
Bit 6	R	PAISPTRI[7]	X
Bit 5	R	PAISPTRI[6]	X
Bit 4	R	PAISPTRI[5]	X
Bit 3	R	PAISPTRI[4]	X
Bit 2	R	PAISPTRI[3]	X
Bit 1	R	PAISPTRI[2]	X
Bit 0	R	PAISPTRI[1]	X

The TU3 AIS Pointer Interrupt Status Register is provided at SARC read/write address 027DH, 067DH, 0A7DH, and 0E7DH.

PAISPTRI[12:1]

The TU3 path AIS pointer interrupt status (PAISPTRI[12:1]) bits are event indicators for STS-1/STM-0 paths #1 to #12. PAISPTRI[12:1] are set to logic 1 to indicate any changes in the status of PAISPTRV[12:1]. These interrupt status bits are independent of the interrupt enable bits. PAISPTRI[12:1] are cleared to logic 0 when this register is read.

Register 0300H: DLL Configuration

Bit	Type	Function	Default
Bit 15	—	Unused	X
Bit 14	—	Unused	X
Bit 13	—	Unused	X
Bit 12	—	Unused	X
Bit 11	—	Unused	X
Bit 10	—	Unused	X
Bit 9	—	Unused	X
Bit 8	—	Unused	X
Bit 7	—	Unused	X
Bit 6	—	Unused	X
Bit 5	R/W	Reserved	0
Bit 4	R/W	Reserved	0
Bit 3	—	Unused	X
Bit 2	R/W	ERRORE	X
Bit 1	R/W	Reserved	0
Bit 0	R/W	Reserved	0

Reserved

The reserved bits must be programmed to their default values for proper operation.

ERRORE

The ERROR interrupt enable (ERRORE) bit enables the error indication interrupt. When ERRORE is set high, an interrupt is generated upon assertion event of the ERROR register. When ERRORE is set low, changes in the ERROR status do not generate an interrupt.

Register 0302H: DDLL Reset

Bit	Type	Function	Default
Bit 15	—	Unused	X
Bit 14	—	Unused	X
Bit 13	—	Unused	X
Bit 12	—	Unused	X
Bit 11	—	Unused	X
Bit 10	—	Unused	X
Bit 9	—	Unused	X
Bit 8	—	Unused	X
Bit 7	—	Unused	X
Bit 6	—	Unused	X
Bit 5	—	Unused	X
Bit 4	—	Unused	X
Bit 3	—	Unused	X
Bit 2	—	Unused	X
Bit 1	—	Unused	X
Bit 0	—	Unused	X

Any write to the DDLL Reset Register will reset the Drop Bus DLL.

Register 0303H: DLL Status

Bit	Type	Function	Default
Bit 15	—	Unused	X
Bit 14	—	Unused	X
Bit 13	—	Unused	X
Bit 12	—	Unused	X
Bit 11	—	Unused	X
Bit 10	—	Unused	X
Bit 9	—	Unused	X
Bit 8	—	Unused	X
Bit 7	R	Reserved	X
Bit 6	R	Reserved	X
Bit 5	R	ERRORI	X
Bit 4	R	Reserved	X
Bit 3	—	Unused	X
Bit 2	R	ERROR	X
Bit 1	R	Reserved	0
Bit 0	R	Reserved	0

Reserved

The reserved bits must be programmed to their default values for proper operation.

ERROR

The delay line error register bit (ERROR) indicates the DLL has run out of dynamic range. When the DLL attempts to move beyond the end of the delay line, ERROR is set high. ERROR is set low, when the DLL captures lock again.

ERRORI

The delay line error event register bit (ERRORI) indicates the ERROR register bit has gone high. When the ERROR register changes from logic 0 to logic 1, the ERRORI register bit is set to logic 1. If the ERRERE interrupt enable is high, the INT output is also asserted when ERRORI asserts.

Register 1020H: Tx2488 Analog Control/Status (Single 2488 Mode Only)

Bit	Type	Function	Default
Bit 15	R	ROOLI	0
Bit 14	R	REFCLK_MON	1
Bit 13	—	Unused	X
Bit 12	R	Reserved	X
Bit 11	R/W	Reserved	1
Bit 10	—	Unused	X
Bit 9	—	Unused	X
Bit 8	R/W	TX2488_MODE[2]	0
Bit 7	R/W	TX2488_MODE[1]	0
Bit 6	R/W	TX2488_MODE[0]	0
Bit 5	R/W	Reserved	0
Bit 4	R/W	Reserved	0
Bit 3	R/W	SLLE2488	0
Bit 2	R/W	TX_INV_DATA_EN	0
Bit 1	R	ROOLV	X
Bit 0	R/W	ROOLE	0

ROOLE

The Reference Out Of Lock Enable (ROOLE) bit enables the ROOLI interrupt to assert the INTB pin. When ROOLE is set to logic 1, an interrupt on the INTB is generated upon assertion of the ROOLI register bit. When ROOLE is set low, a change in the ROOLI status does not generate an interrupt.

ROOLV

The Reference Out Of Lock status bit indicates the current status of the ROOL detector. The ROOLV is only latched during a read operation and therefore will change to reflect the current status the ROOL compare logic. See ROOL_I for details of the ROOL function.

TX_INV_DATA_EN (Single 2488 mode only)

The Serial Data Inversion TX_INV_DATA_EN controls the polarity of the transmitter data. When TX_INV_DATA_EN is set to logic 1, the polarity of the TXD1_P/TXD1_N input pins are inverted. When TX_INV_DATA_EN is set to logic 0, the TXD1_P/TXD1_N inputs operate normally.

SLLE2488

The serial line loop-back enable (SLLE2488) bit loops the recovered data and clock to the transmit output. When this bit is set to logic 1, data from the 2488 receiver is input into the PISO and data from the SONET transmit processor is ignored.

Notes:

- The LOOPTIMEB bit of the TX2488 ABC Control register must be set to logic 0 when SLLE2488 is enabled.
- For chip-level line loop back, the LINE_LOOP_BACK bit in the Rx2488 Analog CRU Clock Training Configuration and Status register (register 0023H) and the SLLE2488 register bit in the Tx2488 Analog Control/Status register (register 1020H) must be set to logic 1. As well, the LOOPTIMEB register bit in the Tx2488 ABC Control register (register 1021H) must be set to logic 0.

Reserved

The reserved bits must be programmed to their default values for proper operation.

TX2488_MODE[2:0]

The TX2488 Mode control bits are used to place the TX2488-CML in one of the following operating modes:

Table 12 TX2488 Mode Control

TX2488_MODE [2:0] Value	Description
111	Reserved
1XX	When the MODE[2] is set high, the data from STS-12/STM-4 slice #1 (Channel 1 of the quad STS-12) is used as the input to the transmitter.
0XX	When MODE[2] is set low, the data from PISO-2488 is used as the input to the Transmitter. The default is to use the PISO-2488 as the input.
X11	Reserved
X10	Reserved
X01	When the configuration bits MODE0 and MODE1 are set respectively high and low, limited-swing AC coupling suitable for the Lucent T48, Hitachi HTR6540, or HP HFCT-53D5 ODL transmitters is used. In this mode a 16mA bias current is generated in the differential PECL transmitter that is based on an internal reference resistor matched with the output stage load. The generated current produces a differential amplitude suitable for the Lucent T48, Hitachi HTR6540 or HP HFCT-53D5 (using double termination). In this mode, the output amplitude is set to 533 mVppd nominal.
X00	When the configuration bits MODE1 and MODE0 are set low, AC coupling suitable for PECL compliant ODL transmitters (e.g. Sumitomo SDM7128-XC or Sumitomo SCM6028-GL) is used. In this mode a 30.5mA bias current is generated in the differential PECL transmitter that is based on an internal reference resistor matched with the output

TX2488_MODE [2:0] Value	Description
	stage load. The generated current is adequate to produce a valid differential PECL amplitude with double termination. In this mode, the output amplitude is set to 1 Vppd nominal.

Note: TX2488_MODE[1:0] also controls the Tx swing for Channel1 of Quad 622 mode.

Reserved

This bit is reserved.

REFCLK_MON

The reference clock monitor (REFCLK_MON) bit indicates the status of the REFCLK_P/N pin. A logic 1 on REFCLK_MONITOR indicates that at least one low to high transition has occurred on the REFCLK_P/N pin since the last read of the register 0x00h. Reading the REFCLK_MONITOR bit clears the setting. The REFCLK_MONITOR will be set to logic 1 after the first transition on REFCLK_P/N. Software must read this register twice to determine if the REFCLK_P/N is toggling. If on the second read REFCLK_MONITOR is set to logic 0 it indicates the REFCLK_P/N is not toggling.

ROOLI

The reference out of lock status (ROOLI) bit indicates whether the clock synthesis unit (CSU) phase locked loop is able to lock to the reference clock on REFCLKI_P/N or the recovered clock from the RECCLK1_P/N or RECCLK2_P/N input signal depending on the state of the RECCLK_SEL and LOOPTIMEB bits in register 0x01H.

ROOLI is a logic 1 if the divided down synthesized clock frequency is within +/-1000 ppm of the reference frequency. The ROOLI signal is a latched value of the frequency compare logic and only indicates that the synthesized clock has failed to lock at some point and does not reflect the current state. The ROOL_V bit indicates the current status. At startup, ROOLI may be latched to logic 1 for several hundred milliseconds while the PLL obtains lock.

To ensure that the synthesized clock has locked, this bit should be read twice separated by at least 500 μs. If the (WCIMODE XOR WCIMODE_1x2488) is logic 1, only over-writing with a '1' clears this bit. If the (WCIMODE XOR WCIMODE_1x2488) is a logic 0, then a read of this register automatically clears the bit.

Note: When ROOLI is set and indicates that the CSU has lost lock to the reference clock then, once the reference is restored, the CSU must be reset (using CSU_RESET in register 0x1021) before normal operation can begin.

Register 1021H: TX2488 ABC Control

Bit	Type	Function	Default
Bit 15	R/W	Reserved	0
Bit 14	R/W	PISO_RESET	0
Bit 13	R/W	CSU_RESET	0
Bit 12	R/W	RX_REF ENABLE	1
Bit 11	R/W	TX2488_ENABLE	1
Bit 10	R/W	C2C_ENABLE	1
Bit 9	R/W	CSU_ENABLE	1
Bit 8	R/W	Reserved	0
Bit 7	R/W	LOOPTIMEB	1
Bit 6	R/W	Reserved	1
Bit 5	R/W	Reserved	1
Bit 4	R/W	Reserved	0
Bit 3	R/W	Reserved	1
Bit 2	R/W	Reserved	0
Bit 1	R/W	Reserved	0
Bit 0	R/W	Reserved	0

Reserved

The reserved bits must be programmed to their default values for proper operation.

LOOPTIMEB

LOOPTIMEB is used to select the input reference clock for the CSU2488. When set to logic 0, the recovered clocks are selected as the reference for the transmit clock.

CSU_ENABLE

The Clock Source Unit Enable provides a global power down of the CSU Analog Block Circuit. When set to logic 0, this bit forces the CSU to a low power state and functionality is disabled. When set to logic 1, the CSU operates in the normal mode of operation.

C2C_ENABLE

The CML to CMOS Interface Module Enable provides a global power down of the CML2CMOS-RX2488 Analog Block Circuit. When set to logic 0, this bit forces the CML to CMOS Interface Module to a low power state and functionality is disabled. When set to logic 1, the CML to CMOS Interface Module operates in the normal mode of operation.

TX2488_ENABLE

The 2.488GHz Transmitter Enable provides a global power down of the TX2488 Analog Block Circuit. When set to logic 0, this bit forces the TX2488 to a low power state and functionality is disabled. When set to logic 1, the TX2488 operates in the normal mode of operation.

RX_REF_ENABLE

The PECL Reference Clock Receiver Enable provides a global power down of the RX2488-PECL Analog Block Circuitry used for reference clock input. When set to logic 0, this bit forces the block to a low power state and functionality is disabled. When set to logic 1, the block operates in the normal mode of operation.

CSU_RESET

The Clock Source Unit Reset provides a complete reset of the CSU2488 Analog Block Circuit. When set to logic 1, this bit forces the CSU to a known initial state. While the bit is set to logic 1, the functionality of the block is disabled. When set to logic 0, the CSU operates in the normal mode of operation. This bit is not self-clearing. Therefore a '0' must be written to the bit to remove the reset condition.

PISO_RESET

The PISO Reset provides a complete reset of the PISO-2488 Analog Block Circuit. When set to logic 1, this bit forces the PISO to a known initial state. While the bit is set to logic 1, the functionality of the block is disabled. When set to logic 0, the PISO operates in the normal mode of operation. This bit is not self-clearing. Therefore a '0' must be written to the bit to remove the reset condition.

Register 1030H: Quad 622 Tx MABC CSUT Control Register

Bit	Type	Function	Default
Bit 15	R/W	Reserved	0
Bit 14	R/W	Reserved	0
Bit 13	R/W	Reserved	0
Bit 12	R/W	Reserved	0
Bit 11	R/W	Reserved	0
Bit 10	R/W	Reserved	1
Bit 9	R/W	Reserved	1
Bit 8	R/W	Reserved	1
Bit 7	R/W	Reserved	0
Bit 6	R/W	Reserved	0
Bit 5	R/W	Reserved	0
Bit 4	R/W	Reserved	0
Bit 3	R/W	Reserved	0
Bit 2	R/W	Reserved	0
Bit 1	R/W	Reserved	0
Bit 0	R/W	CSUT_ARSTB	1

The Transmit MABC CSUT Control Register is provided at SPECTRA 1x2488 read/write address 1030H.

CSUT_ARSTB

The CSUT analog reset bit CSUT_ARSTB provides a reset to the CSUT. To reset the CSUT properly, CSUT_ARSTB should be held low for at least 100 ns. The CSUT requires 5ms to regain lock when CSUT_ARSTB is brought back to high.

CSUT_ARSTB	Description
0	Reset applied to entire CSUT, asserted for at least 100 ns
1	Normal operation (default)

Reserved

The reserved bits must be programmed to their default values for proper operation.

Register 1031H: Quad 622 Tx CSUT Clock Detector Control Register

Bit	Type	Function	Default
Bit 15	R/W	Reserved	0
Bit 14	R/W	Reserved	1
Bit 13	R/W	Reserved	1
Bit 12	R/W	Reserved	1
Bit 11	R/W	Reserved	1
Bit 10	R/W	Reserved	1
Bit 9	R/W	Reserved	1
Bit 8	R/W	Reserved	1
Bit 7	R/W	Reserved	1
Bit 6	R/W	Reserved	1
Bit 5	R/W	Reserved	1
Bit 4	R/W	Reserved	1
Bit 3	R	ROOLV	0
Bit 2	R	Reserved	0
Bit 1	R/W	Reserved	0
Bit 0	R/W	ROOLE	0

The Transmit CSUT Clock Detector Control Register is provided at SPECTRA 1x2488 read/write address 1031H.

ROOLE

ROOLE is used as interrupt enable for ROOLI register bit. It connects the ROOLI status bit to the INT pin of the LAS4x622. When ROOLE is set to logic 1, an interrupt on the INT is generated upon assertion of the ROOLI register bit. When ROOLE is set low, a change in the ROOLI status does not generate an interrupt.

Reserved

The reserved bits must be programmed to their default values for proper operation.

ROOLV

The Transmit reference out of lock status bit indicates the clock synthesis phase locked loop is unable to lock to the reference clock on REFCLK. ROOLV is a logic 1 if difference between the divided down synthesized clock CSUT_DIVCLK frequency and the reference clock RECLK frequency is not within certain ppm. At startup, ROOLV may remain at logic 1 for several hundred mil-seconds while the PLL obtains lock.

Register 1032H: Quad 622 Tx CSUT Clock Detector Interrupt Status Register

Bit	Type	Function	Default
Bit 15	R	TDOCLK_DET[3]	0
Bit 14	R	TDOCLK_DET[2]	0
Bit 13	R	TDOCLK_DET[1]	0
Bit 12	R	TDOCLK_DET[0]	0
Bit 11	R	Reserved	0
Bit 10	—	Unused	X
Bit 9	—	Unused	X
Bit 8	—	Unused	X
Bit 7	—	Unused	X
Bit 6	—	Unused	X
Bit 5	—	Unused	X
Bit 4	—	Unused	X
Bit 3	—	Unused	X
Bit 2	—	Unused	X
Bit 1	—	Unused	X
Bit 0	R/W	ROOLI	0

The Transmit CSUT Clock Detector Interrupt Status Register is provided at SPECTRA 1x2488 read/write address 1032H.

ROOLI

The Transmit reference out of lock status (ROOLI) bit indicates the clock synthesis phase locked loop is unable to lock to the reference clock on REFCLK. ROOLI is a logic 1 if the divided down synthesized clock frequency is not within 488 ppm of the REFCLK frequency. At startup, ROOLI may remain at logic 1 for several hundred mil-seconds while the PLL obtains lock. If WCI_MODE is set to logic 1 only over-writing with a '1' clears this bit. If WCI_MODE is set to a logic 0 then a read of this register automatically clears the bit.

Reserved

The reserved bit must be programmed to its default value for proper operation.

TDOCLK_DET[3:0]

These register bits are used for a sanity detection of the clock TDOCLK[3:0]. For TDOCLK[n], it will be set to logic 1 if any rising edge of the clock TDOCLK[n] is detected since the last clearance of the register bit. If WCI_MODE is set to logic 1 only over-writing with a '1' clears this bit. If WCI_MODE is set to logic 0, then a read of this register automatically clears the bit.

Register 1033H, 1433H, 1833H, and 1C33H: Quad 622 Tx MABC and JAT622 Channel Control and Status Register

Bit	Type	Function	Default
Bit 15	—	Unused	X
Bit 14	—	Unused	X
Bit 13	—	Unused	X
Bit 12	—	Unused	X
Bit 11	—	Unused	X
Bit 10	—	Unused	X
Bit 9	—	Unused	X
Bit 8	—	Unused	X
Bit 7	R	Reserved	0
Bit 6	R	Reserved	0
Bit 5	R/W	Reserved	0
Bit 4	R/W	Reserved	0
Bit 3	R/W	Reserved	0
Bit 2	R/W	Reserved	0
Bit 1	R/W	TX_MODE[1]	1
Bit 0	R/W	TX_MODE[0]	0

The Transmit MABC and JAT622 Channel 1 to 4 Control and Status Register is provided at SPECTRA 1x2488 read/write address 1033H, 1433H, 1833H, and 1C33H.

TX_MODE[1:0]

The Tx mode selection register field TX_MODE[1:0] selects the output swing levels for the TX.

‘00’ = Low swing levels

‘01’ = Large swing levels

‘1X’ = XAUI levels (default)

Note: TX_MODE[1:0] only applies to Channel 2-4, Channel 1 is controlled by TX2488_MODE[1:0] in 0x1020H.

Reserved

The reserved bits must be programmed to their default values for proper operation.

Register 1040H: STLI Clock Configuration

Bit	Type	Function	Default
Bit 15	R/W	Reserved	1
Bit 14	—	Unused	X
Bit 13	—	Unused	X
Bit 12	—	Unused	X
Bit 11	—	Unused	X
Bit 10	—	Unused	X
Bit 9	—	Unused	X
Bit 8	—	Unused	X
Bit 7	—	Unused	X
Bit 6	—	Unused	X
Bit 5	—	Unused	X
Bit 4	R/W	TCLK4EN	0
Bit 3	R/W	TCLK3EN	0
Bit 2	R/W	TCLK2EN	0
Bit 1	R/W	TCLK1EN	0
Bit 0	R/W	TDCKOEN	0

The Clock Configuration Register is provided at STLI read/write address 1040H.

TDCKOEN

The transmit clock enable (TDCKOEN) bit controls the gating of the TDCKO output clock. When TDCKOEN is set to logic 1, the TDCKO output clock operates normally. When TDCKOEN is set to logic 0, the TDCKO output clock is held low.

TCLK1EN

The transmit clock enable (TCLK1EN) bit controls the gating of the TCLK1 output clock. When TCLK1EN is set to logic 1, the TCLK1 output clock operates normally. When TCLK1EN is set to logic 0, the TCLK1 output clock is held low.

TCLK2EN

The transmit clock enable (TCLK2EN) bit controls the gating of the TCLK2 output clock. When TCLK2EN is set to logic 1, the TCLK2 output clock operates normally. When TCLK2EN is set to logic 0, the TCLK2 output clock is held low.

TCLK3EN

The transmit clock enable (TCLK3EN) bit controls the gating of the TCLK3 output clock. When TCLK3EN is set to logic 1, the TCLK3 output clock operates normally. When TCLK3EN is set to logic 0, the TCLK3 output clock is held low.

TCLK4EN

The transmit clock enable (TCLK4EN) bit controls the gating of the TCLK4 output clock. When TCLK4EN is set to logic 1, the TCLK4 output clock operates normally. When TCLK4EN is set to logic 0, the TCLK4 output clock is held low.

Reserved

The reserved bit must be programmed to its default value for proper operation.

Downloaded by Content Team of Partminer Inc on Thursday, 27 April, 2016 09:55:03 AM

Register 1041H: STLI PGM Clock Configuration

Bit	Type	Function	Default
Bit 15	—	Unused	X
Bit 14	—	Unused	X
Bit 13	—	Unused	X
Bit 12	—	Unused	X
Bit 11	—	Unused	X
Bit 10	—	Unused	X
Bit 9	—	Unused	X
Bit 8	—	Unused	X
Bit 7	—	Unused	X
Bit 6	—	Unused	X
Bit 5	—	Unused	X
Bit 4	—	Unused	X
Bit 3	R/W	PGMTCLKSRC[1]	0
Bit 2	R/W	PGMTCLKSRC[0]	0
Bit 1	R/W	PGMTCLKSEL	0
Bit 0	R/W	PGMTCLKEN	0

The PGM Clock Configuration Register is provided at STLI read/write address 1041H.

PGMTCLKEN

The programmable transmit clock enable (PGMTCLKEN) bit controls the gating of the PGMTCLK output clock. When PGMTCLKEN is set to logic 1, the PGMTCLK output clock operates normally. When PGMTCLKEN is set to logic 0, the PGMTCLK output clock is held low.

PGMTCLKSEL

The programmable transmit clock frequency selection (PGMTCLKSEL) bit selects the frequency of the PGMTCLK output clock. When PGMTCLKSEL is set high, PGMTCLK is a nominal 8 KHz clock. When PGMTCLKSEL is set to logic 0, PGMTCLK is a nominal 19.44 MHz clock.

PGMTCLKSRC[1:0]

The programmable transmit clock source (PGMTCLKSRC[1:0]) bits select the source of the PGMTCLK output clock when the STLI is in quad STS-12 (STM-4) mode. When the STLI is in STS-48 (STM-16) mode, TDCLK is the source of the PGMTCLK output clock.

PGMTCLKSRC[1:0]	Source
00	TDCLK1
01	TDCLK2
10	TDCLK3
11	TDCLK4

Register 1060H, 1460H, 1860H, and 1C60H: JAT622 Configuration

Bit	Type	Function	Default
Bit 15	—	Unused	X
Bit 14	—	Unused	X
Bit 13	—	Unused	X
Bit 12	—	Unused	X
Bit 11	—	Unused	X
Bit 10	—	Unused	X
Bit 9	—	Unused	X
Bit 8	—	Unused	X
Bit 7	R/W	LOPT	0
Bit 6	R/W	SLLE622	0
Bit 5	—	Unused	X
Bit 4	R/W	Reserved	0
Bit 3	R/W	TX_INV_DATA_EN	0
Bit 2	—	Unused	X
Bit 1	R/W	Reserved[1]	0
Bit 0	R/W	Reserved[0]	0

The Configuration Register controls the basic operation of the JAT.

Reserved[1:0]

The reserved bits must be programmed to their default values for proper operation.

TX_INV_DATA_EN

The transmit data invert (TX_INV_DATA_EN) controls the polarity of the serial transmit outputs. When TX_INV_DATA_EN is high, the polarity of the transmit data on TXD#_P/N is inverted. When TX_INV_DATA_EN is low, the polarity of the transmit data on TXD#_P/N outputs normal.

Reserved

The reserved bits must be programmed to their default values for proper operation.

SLLE622

The serial line loop back enable (SLLE622) controls the source data used to generate the outgoing serial data stream.

When SLLE622 is low, the TDATA[7:0] byte serial stream is transmitted on the outgoing serial interface outputs. When SLLE622 is high, the RDATA[7:0] byte serial stream is transmitted on the outgoing serial interface outputs.

When SLLE622 is high, LOOPT must also be set high for proper operation.

LOPT

The JAT loop time enable (LOPT) controls the source clock used to generate the outgoing serial data stream.

When LOOPT is low, the JAT uses the free-running system clock SYSCLK to generate the outgoing serial interface outputs. When LOOPT is high, the JAT uses the receive clock RCLK to control the phase of the outgoing serial interface stream.

When SLLE622 is high, LOOPT must also be set high for proper operation.

Register 1061H, 1461H, 1861H, and 1C61H: JAT622 Configuration and Interrupt Enable

Bit	Type	Function	Default
Bit 15	—	Unused	X
Bit 14	—	Unused	X
Bit 13	—	Unused	X
Bit 12	—	Unused	X
Bit 11	—	Unused	X
Bit 10	—	Unused	X
Bit 9	—	Unused	X
Bit 8	—	Unused	X
Bit 7	R/W	Reserved:	0
Bit 6	—	Unused	X
Bit 5	—	Unused	X
Bit 4	R	RUN	X
Bit 3	R	Reserved:	X
Bit 2	R	ERROR	X
Bit 1	R/W	Reserved:	0
Bit 0	R/W	ERRORE	0

The Configuration and Interrupt Enable Register controls the basic operation of the JAT.

ERRORE

The ERROR interrupt enable (ERRORE) bit enables the error indication interrupt. When ERRORE is set high, an interrupt is generated upon assertion event of the ERR output and ERROR register. When ERRORE is set low, changes in the ERROR and ERR status do not generate an interrupt.

Reserved

The reserved bits must be programmed to their default values for proper operation.

ERROR

The delay line error register bit (ERROR) indicates the DLL has run out of dynamic range. When the DLL attempts to move beyond the end of the delay line, ERROR is set high. When ERROR is high, the DLL cannot generate a recovered clock locked to the serial data stream. ERROR is set low, when the JAT may again try to recover the data stream.

RUN

The DLL lock status register bit (RUN) indicates the DLL found a delay line tap in which the phase difference between the rising edge of REFCLK and the rising edge of SYSLCK is zero. After system reset, RUN is logic 0 until the phase detector indicates an initial lock condition. When the phase detector indicates lock, RUN is set to logic 1.

The RUN register bit is cleared only by a system reset or a software reset (writing to JAT622_RST - bit 2 of register 0000H).

Register 1062H, 1462H, 1862H, and 1C62H: JAT622 Status

Bit	Type	Function	Default
Bit 15	—	Unused	X
Bit 14	—	Unused	X
Bit 13	—	Unused	X
Bit 12	—	Unused	X
Bit 11	—	Unused	X
Bit 10	—	Unused	X
Bit 9	—	Unused	X
Bit 8	—	Unused	X
Bit 7	R/W	Reserved	X
Bit 6	R/W	Reserved	X
Bit 5	R/W	Reserved	X
Bit 4	R/W	Reserved	X
Bit 3	—	Unused	X
Bit 2	—	Unused	X
Bit 1	R	FERRI	X
Bit 0	R	ERRORI	X

The Status Register reports the basic operation of the JAT.

ERRORI

The delay line error event register bit (ERRORI) indicates the ERROR register bit has gone high. When the ERROR register changes from a logic 0 to a logic 1, the ERRORI register bit is set to logic 1. If the ERRERE interrupt enable is high, the INT output is also asserted when ERRORI asserts.

When WCIMODE is low, the ERRORI register bit is cleared immediately after it is read, thus acknowledging the event has been recorded. When WCIMODE is high, the ERRORI register bit is cleared immediately after a logic 1 is written to the ERRORI register, thus acknowledging the event has been recorded.

FERRI

The FIFO error event register bit (FERRI) indicates the FERR register bit has gone high. When the FERR register changes from a logic 0 to a logic 1, the FERRI register bit is set to logic 1. If the FERRE interrupt enable is high, the INT output is also asserted when FERRI asserts.

When WCIMODE is low, the FERRI register bit is cleared immediately after it is read, thus acknowledging the event has been recorded. When WCIMODE is high, the FERRI register bit is cleared immediately after a logic 1 is written to the FERRI register, thus acknowledging the event has been recorded.

Register 1063H, 1463H, 1863H, and 1C63H: JAT622 Power Down

Bit	Type	Function	Default
Bit 15	—	Unused	X
Bit 14	—	Unused	X
Bit 13	—	Unused	X
Bit 12	—	Unused	X
Bit 11	—	Unused	X
Bit 10	—	Unused	X
Bit 9	—	Unused	X
Bit 8	—	Unused	X
Bit 7	R/W	PWRDN	1
Bit 6	R	Reserved	X
Bit 5	—	Unused	X
Bit 4	R	Reserved	X
Bit 3	R	Reserved	X
Bit 2	R	Reserved	X
Bit 1	R	Reserved	X
Bit 0	R	Reserved	X

Writing to this register performs a software reset of the JAT622. A software reset requires a maximum of 2*12*32 SYSCLK cycles for the JAT622 to regain lock.

Reserved

The reserved bits must be programmed to their default values for proper operation.

PWRDN

The JAT power down (PWRDN) controls the generation of the serial transmit clock TXC output. When PWRDN is set high, the JAT reduces power consumption by killing all internal clocks as well as the TCLK and TCLK77 outputs. When PWRDN is set low, the JAT operates normally.

Register 1080H, 1480H, 1880H, and 1C80H: TRMP Configuration

Bit	Type	Function	Default
Bit 15	—	Unused	X
Bit 14	—	Unused	X
Bit 13	—	Unused	X
Bit 12	—	Unused	X
Bit 11	R/W	LREIBLK	0
Bit 10	R/W	LREIEN	1
Bit 9	R/W	APSEN	1
Bit 8	R/W	TLDTS	1
Bit 7	R/W	TLDEN	0
Bit 6	R/W	TSLDSEL	0
Bit 5	R/W	TSLDTS	1
Bit 4	R/W	TSLDEN	0
Bit 3	R/W	TRACEEN	0
Bit 2	R/W	J0Z0INCEN	0
Bit 1	R/W	Z0DEF	0
Bit 0	R/W	A1A2EN	1

The Configuration Register is provided at TRMP read/write address 1080H, 1480H, 1880H, and 1C80H.

A1A2EN

The A1A2 framing enable (A1A2EN) bit controls the insertion of the framing bytes in the data stream. When A1A2EN is set to logic 1, F6h and 28h are inserted in the A1 and A2 bytes according to the priority of Table 6. When A1A2EN is set to logic 0, the framing bytes are not inserted.

Z0DEF

The Z0 definition (Z0DEF) bit defines the Z0 growth bytes. When Z0DEF is set to logic 1, the Z0 bytes are defined according to ITU. The Z0 bytes are located in STS-1/STM-0 #2 to #4 in STS-12/STM-4 master mode and are located in STS-1/STM-0 #1 to #4 in STS-12/STM-4 slave mode. When Z0DEF is set to logic 0, The Z0 bytes are defined according to BELLCORE. The Z0 bytes are located in STS-1/STM-0 #2 to #12 in STS-12/STM-4 master mode and are located in STS-1/STM-0 #1 to #12 in STS-12/STM-4 slave mode.

Note: When Z0DEF is set to logic 1, the national bytes in STS-1/STM-0 #5 to #12 must be configured properly to avoid an all zero or all one unscrambled sequence.

J0Z0INCEN

The J0 and Z0 increment enable (J0Z0INCEN) bit controls the insertion of an incremental pattern in the section trace and Z0 growth bytes. When J0Z0INCEN is set to logic 1, the corresponding STS-1/STM-0 path # is inserted in the J0 and Z0 bytes according to the priority of Table 6. When J0Z0INCEN is set to logic 0, no incremental pattern is inserted.

TRACEEN

The section trace enable (TRACEEN) bit controls the insertion of section trace in the data stream. When TRACEEN is set to logic 1, the section trace from the TTTP is inserted in the J0 byte of STS-1/STM-0 #1 according to the priority of Table 6. When TRACEEN is set to logic 0, the section trace from the TTTP is not inserted.

TSLDEN

The TSLD enable (TSLDEN) bit controls the insertion of section or line DCC in the data stream. When TSLDEN is set to logic 1, the section or line DCC from the serial TSLD port is inserted in the D1-D3 bytes or D4-D12 bytes of STS-1/STM-0 #1 according to the priority of Table 6. When TSLDEN is set to logic 0, the section or line DCC from the serial TSLD port is not inserted.

TSLDTS

The TSLD tri-state control (TSLDTS) bit controls the TSLDCLK output port. When TSLDTS is set to logic 1, the TSLDCLK output port is tri-state. When TSLDTS is set to logic 0, the TSLDCLK output port is enable.

TSLDSEL

The TSLD channel select (TSLDSEL) bit selects the contents of the TSLD port and the frequency of the TSLDCLK clock.

TSLDSEL	Contents	TSLDCLK
0	Section DCC (D1-D3)	Nominal 192 kHz
1	Line DCC (D4-D12)	Nominal 576 kHz

TLDEN

The TLD enable (TLDEN) bit controls the insertion of line DCC in the data stream. When TLDEN is set to logic 1, the line DCC from the serial TLD port is inserted in the D4-D12 bytes of STS-1/STM-0 #1 according to the priority of Table 6. When TLDEN is set to logic 0, the line DCC from the serial TLD port is not inserted.

TLDTS

The TLDTS tri-state control (TLDTS) bit controls the TLDCLK output port. When TLDTS is set to logic 1, the TLDCLK output port is tri-state. When TLDTS is set to logic 0, the TLDCLK output port is enable.

APSEN

The APS enable (APSEN) bit controls the insertion of automatic protection switching in the data stream. When APSEN is set to logic 1, the APS bytes from the RRMP are inserted in the K1/K2 bytes of STS-1/STM-0 #1 according to the priority of Table 6. When APSEN is set to logic 0, the APS bytes from the RRMP are not inserted.

LREIEN

The line REI enable (LREIEN) bit controls the insertion of line remote error indication in the data stream. When LREIEN is set to logic 1, the line REI from the RRMP are inserted in the M1 byte of STS-1/STM-0 #3 according to the priority of Table 6. When LREIEN is set to logic 0, the line REI from the RRMP are not inserted.

LREIBLK

The line REI block (LREIBLK) bit controls the generation of line remote error indication. When LREIBLK is set to logic 1, the line REI inserted in the M1 byte represents BIP-24 block errors (a maximum of 1 error per STS-3/STM-1 per frame). When LREIBLK is set to logic 0, the line REI inserted in the M1 byte represents BIP-8 errors (a maximum of 8 error per STS-1/STM-0 per frame).

Register 1081H, 1481H, 1881H, and 1C81H: TRMP Register Insertion

Bit	Type	Function	Default
Bit 15	R/W	UNUSEDV	0
Bit 14	R/W	UNUSEDEN	0
Bit 13	R/W	NATIONALV	0
Bit 12	R/W	NATIONALEN	0
Bit 11	—	Unused	X
Bit 10	R/W	E2REGEN	0
Bit 9	R/W	Z2REGEN	0
Bit 8	R/W	Z1REGEN	0
Bit 7	R/W	S1REGEN	0
Bit 6	R/W	D4D12REGEN	0
Bit 5	R/W	K1K2REGEN	0
Bit 4	R/W	D1D3REGEN	0
Bit 3	R/W	F1REGEN	0
Bit 2	R/W	E1REGEN	0
Bit 1	R/W	Z0REGEN	1
Bit 0	R/W	J0REGEN	1

The Register Insertion Register is provided at TRMP read/write address 1081H, 1481H, 1881H, and 1C81H.

J0REGEN

The J0 register enable (J0REGEN) bit controls the insertion of section trace in the data stream. When J0REGEN is set to logic 1, the section trace from the J0 register is inserted in the J0 byte of STS-1/STM-0 #1 according to the priority of Table 6. When J0REGEN is set to logic 0, the section trace from the J0 register is not inserted.

Z0REGEN

The Z0 register enable (Z0REGEN) bit controls the insertion of Z0 growth bytes in the data stream. When Z0REGEN is set to logic 1, the Z0 growth byte from the Z0 register is inserted in the Z0 bytes according to the priority of Table 6. When Z0REGEN is set to logic 0, the Z0 growth byte from the Z0 register is not inserted. The Z0DEF register bit defines the Z0 bytes.

E1REGEN

The E1 register enable (E1REGEN) bit controls the insertion of section order wire in the data stream. When E1REGEN is set to logic 1, the section order wire from the E1 register is inserted in the E1 byte of STS-1/STM-0 #1 according to the priority of Table 6. When E1REGEN is set to logic 0, the section order wire from the E1 register is not inserted.

F1REGEN

The F1 register enable (F1REGEN) bit controls the insertion of section user channel in the data stream. When F1REGEN is set to logic 1, the section user channel from the F1 register is inserted in the F1 byte of STS-1/STM-0 #1 according to the priority of Table 6. When F1REGEN is set to logic 0, the section user channel from the F1 register is not inserted.

D1D3REGEN

The D1 to D3 register enable (D1D3REGEN) bit controls the insertion of section data communication channel in the data stream. When D1D3REGEN is set to logic 1, the section DCC from the D1D3 register is inserted in the D1 to D3 bytes of STS-1/STM-0 #1 according to the priority of Table 6. When D1D3REGEN is set to logic 0, the section DCC from the D1D3 register is not inserted.

K1K2REGEN

The K1K2 register enable (K1K2REGEN) bit controls the insertion of automatic protection switching in the data stream. When K1K2REGEN is set to logic 1, the APS bytes from the K1K2 register are inserted in the K1, K2 bytes of STS-1/STM-0 #1 according to the priority of Table 6. When K1K2REGEN is set to logic 0, the APS bytes from the K1K2 register are not inserted.

D4D12REGEN

The D4 to D12 register enable (D4D12REGEN) bit controls the insertion of line data communication channel in the data stream. When D4D12REGEN is set to logic 1, the line DCC from the D4D12 register is inserted in the D4 to D12 bytes of STS-1/STM-0 #1 according to the priority of Table 6. When D4D12REGEN is set to logic 0, the line DCC from the D4D12 register is not inserted.

S1REGEN

The S1 register enable (S1REGEN) bit controls the insertion of the synchronization status message in the data stream. When S1REGEN is set to logic 1, the SSM from the S1 register is inserted in the S1 byte of STS-1/STM-0 #1 according to the priority of Table 6. When S1REGEN is set to logic 0, the SSM from the S1 register is not inserted.

Z1REGEN

The Z1 register enable (Z1REGEN) bit controls the insertion of Z1 growth bytes in the data stream. When Z1REGEN is set to logic 1, the Z1 byte from the Z1 register is inserted in the Z1 bytes according to the priority of Table 6. When Z1REGEN is set to logic 0, the Z1 byte from the Z1 register is not inserted.

Z2REGEN

The Z2 register enable (Z2REGEN) bit controls the insertion of Z2 growth bytes in the data stream. When Z2REGEN is set to logic 1, the Z2 byte from the Z2 register is inserted in the Z2 bytes according to the priority of Table 6. When Z2REGEN is set to logic 0, the Z2 byte from the Z2 register is not inserted.

E2REGEN

The E2 register enable (E2REGEN) bit controls the insertion of line order wire in the data stream. When E2REGEN is set to logic 1, the line order wire from the E2 register is inserted in the E2 byte of STS-1/STM-0 #1 according to the priority of Table 6. When E2REGEN is set to logic 0, the line order wire from the E2 register is not inserted.

NATIONALEN

The national enable (NATIONALEN) bit controls the insertion of national bytes in the data stream. When NATIONALEN is set to logic 1, an all one or an all zero pattern is inserted in the national bytes according to the priority of Table 6. When NATIONALEN is set to logic 0, no pattern is inserted. The Z0DEF register bit defines the national bytes of ROW #1.

NATIONALV

The national value (NATIONALV) bit controls the value inserted in the national bytes. When NATIONALV is set to logic 1, an all one pattern is inserted in the national bytes if enable via the NATIONALEN register bit. When NATIONALV is set to logic 0, an all zero pattern is inserted in the national bytes if enable via the NATIONALEN register bit.

UNUSEDEN

The unused enable (UNUSEDEN) bit controls the insertion of unused bytes in the data stream. When UNUSEDEN is set to logic 1, an all one or an all zero pattern is inserted in the unused bytes according to the priority of Table 6. When UNUSEDEN is set to logic 0, no pattern is inserted.

UNUSEDV

The unused value (UNUSEDV) bit controls the value inserted in the unused bytes. When UNUSEDV is set to logic 1, an all one pattern is inserted in the unused bytes if enable via the UNUSEDEN register bit. When UNUSEDV is set to logic 0, an all zero pattern is inserted in the unused bytes if enable via the UNUSEDEN register bit.

Register 1082H, 1482H, 1882H, and 1C82H: TRMP Error Insertion

Bit	Type	Function	Default
Bit 15	—	Unused	X
Bit 14	—	Unused	X
Bit 13	—	Unused	X
Bit 12	—	Unused	X
Bit 11	—	Unused	X
Bit 10	—	Unused	X
Bit 9	—	Unused	X
Bit 8	R/W	B2DIS	0
Bit 7	R/W	B1DIS	0
Bit 6	R/W	LOSINS	0
Bit 5	R/W	LAISINS	0
Bit 4	R/W	LRDIINS	0
Bit 3	R/W	A1ERR	0
Bit 2	R/W	HMASKEN	1
Bit 1	R/W	B2MASKEN	1
Bit 0	R/W	B1MASKEN	1

The Error Insertion Register is provided at TRMP read/write address 1082H, 1482H, 1882H, and 1C82H.

B1MASKEN

The B1 mask enable (B1MASKEN) bit selects the used of the B1 byte extracted from the TTOH port. When B1MASKEN is set to logic 1, the B1 byte extracted from the TTOH port is used as a mask to toggle bits in the calculated B1 byte (the B1 byte extracted from the TTOH port is XORed with the calculated B1 byte). When B1MASKEN is set to logic 0, the B1 byte extracted from the TTOH port is inserted instead of the calculated B1 byte.

B2MASKEN

The B2 mask enable (B2MASKEN) bit selects the used of the B2 bytes extracted from the TTOH port. When B2MASKEN is set to logic 1, the B2 bytes extracted from the TTOH port are used as a mask to toggle bits in the calculated B2 bytes (the B2 bytes extracted from the TTOH port are XORed with the calculated B2 bytes). When B2MASKEN is set to logic 0, the B2 bytes extracted from the TTOH port are inserted instead of the calculated B2 bytes.

HMASKEN

The H1/H2 mask enable (HMASKEN) bit selects the used of the H1/H2 bytes extracted from the TTOH port. When HMASKEN is set to logic 1, the H1/H2 bytes extracted from the TTOH port are used as a mask to toggle bits in the H1/H2 path payload pointer bytes (the H1/H2 bytes extracted from the TTOH port are XORed with the path payload pointer bytes). When HMASKEN is set to logic 0, the H1/H2 bytes extracted from the TTOH port are inserted instead of the path payload pointer bytes.

A1ERR

The A1 error insertion (A1ERR) bit is used to introduce framing errors in the A1 bytes. When A1ERR is set to logic 1, 76h instead of F6h is inserted in all of the A1 bytes according to the priority of Table 6. When A1ERR is set to logic 0, no framing errors are introduced.

LRDIINS

The line RDI insertion (LRDIINS) bit is used to force a line remote defect indication in the data stream. When LRDIINS is set to logic 1, the 110 pattern is inserted in bits 6, 7 and 8 of the K2 byte of STS-1/STM-0 #1 to force a line RDI condition. When LRDIINS is set to logic 0, the line RDI condition is removed.

LAISINS

The line AIS insertion (LAISINS) bit is used to force a line alarm indication signal in the data stream. When LAISINS is set to logic 1, all ones are inserted in the line overhead and in the payload (all the bytes of the frame except the section overhead bytes) to force a line AIS condition. When LAISINS is set to logic 0, the line AIS condition is removed.

LOSINS

The LOS insertion (LOSINS) bit is used to force a loss of signal condition in the data stream. When LOSINS is set to logic 1, the data stream is set to all zero (after scrambling) to force a loss of signal condition. When LOSINS is set to logic 0, the loss of signal condition is removed.

B1DIS

The B1 disable insertion (B1DIS) bit is used to set the B1 byte in a pass through mode. When B1DIS is set to logic 1, the B1 byte value source from the ADD bus is passed through transparently without being overwritten. When B1DIS is set to logic 0, a calculated B1 byte is inserted.

B2DIS

The B2 disable insertion (B2DIS) bit is used to set the B2 byte in a pass through mode. When B2DIS is set to logic 1, the B2 byte value source from the ADD bus is passed through transparently without being overwritten. When B2DIS is set to logic 0, a calculated B2 byte is inserted.

Downloaded by Content Team of Partminer Inc on Thursday, 27 April, 2006 09:55:35 AM

Register 1083H, 1483H, 1883H, and 1C83H: TRMP Transmit J0 and Z0

Bit	Type	Function	Default
Bit 15	R/W	J0V[7]	0
Bit 14	R/W	J0V[6]	0
Bit 13	R/W	J0V[5]	0
Bit 12	R/W	J0V[4]	0
Bit 11	R/W	J0V[3]	0
Bit 10	R/W	J0V[2]	0
Bit 9	R/W	J0V[1]	0
Bit 8	R/W	J0V[0]	1
Bit 7	R/W	Z0V[7]	1
Bit 6	R/W	Z0V[6]	1
Bit 5	R/W	Z0V[5]	0
Bit 4	R/W	Z0V[4]	0
Bit 3	R/W	Z0V[3]	1
Bit 2	R/W	Z0V[2]	1
Bit 1	R/W	Z0V[1]	0
Bit 0	R/W	Z0V[0]	0

The Transmit J0/Z0 Register is provided at TRMP read/write address 1083H, 1483H, 1883H, and 1C83H.

Z0V[7:0]

The Z0 byte value (Z0V[7:0]) bits hold the Z0 growth byte to be inserted in the data stream. The Z0V[7:0] value is inserted in the Z0 bytes if the insertion is enabled via the Z0REGEN register bit. The Z0DEF register bit defines the Z0 bytes.

J0V[7:0]

The J0 byte value (J0V[7:0]) bits hold the section trace to be inserted in the data stream. The J0V[7:0] value is inserted in the J0 byte of STS-1/STM-0 #1 if the insertion is enabled via the J0REGEN register bit.

Register 1084H, 1484H, 1884H, and 1C84H: TRMP Transmit E1 and F1

Bit	Type	Function	Default
Bit 15	R/W	E1V[7]	0
Bit 14	R/W	E1V[6]	0
Bit 13	R/W	E1V[5]	0
Bit 12	R/W	E1V[4]	0
Bit 11	R/W	E1V[3]	0
Bit 10	R/W	E1V[2]	0
Bit 9	R/W	E1V[1]	0
Bit 8	R/W	E1V[0]	0
Bit 7	R/W	F1V[7]	0
Bit 6	R/W	F1V[6]	0
Bit 5	R/W	F1V[5]	0
Bit 4	R/W	F1V[4]	0
Bit 3	R/W	F1V[3]	0
Bit 2	R/W	F1V[2]	0
Bit 1	R/W	F1V[1]	0
Bit 0	R/W	F1V[0]	0

The Transmit E1/F1 Register is provided at TRMP read/write address 1084H, 1484H, 1884H, and 1C84H.

F1V[7:0]

The F1 byte value (F1V[7:0]) bits hold the section user channel to be inserted in the data stream. The F1V[7:0] value is inserted in the F1 byte of STS-1/STM-0 #1 if the insertion is enabled via the FIREGEN register bit.

E1V[7:0]

The E1 byte value (E1V[7:0]) bits hold the section order wire to be inserted in the data stream. The E1V[7:0] value is inserted in the E1 byte of STS-1/STM-0 #1 if the insertion is enabled via the E1REGEN register bit.

Register 1085H, 1485H, 1885H, and 1C85H: TRMP Transmit D1D3 and D4D12

Bit	Type	Function	Default
Bit 15	R/W	D1D3V[7]	0
Bit 14	R/W	D1D3V[6]	0
Bit 13	R/W	D1D3V[5]	0
Bit 12	R/W	D1D3V[4]	0
Bit 11	R/W	D1D3V[3]	0
Bit 10	R/W	D1D3V[2]	0
Bit 9	R/W	D1D3V[1]	0
Bit 8	R/W	D1D3V[0]	0
Bit 7	R/W	D4D12V[7]	0
Bit 6	R/W	D4D12V[6]	0
Bit 5	R/W	D4D12V[5]	0
Bit 4	R/W	D4D12V[4]	0
Bit 3	R/W	D4D12V[3]	0
Bit 2	R/W	D4D12V[2]	0
Bit 1	R/W	D4D12V[1]	0
Bit 0	R/W	D4D12V[0]	0

The Transmit D1D3/D4D12 Register is provided at TRMP read/write address 1085H, 1485H, 1885H, and 1C85H.

D4D12V[7:0]

The D4D12 byte value (D4D12V[7:0]) bits hold the line data communication channel to be inserted in the data stream. The D4D12V[7:0] value is inserted in the D4 to D12 bytes of STS-1/STM-0 #1 if the insertion is enabled via the D4D12REGEN register bit.

D1D3V[7:0]

The D1D3 byte value (D1D3V[7:0]) bits hold the section data communication channel to be inserted in the data stream. The D1D3V[7:0] value is inserted in the D1 to D3 bytes of STS-1/STM-0 #1 if the insertion is enabled via the D1D3REGEN register bit.

Register 1086H, 1486H, 1886H, and 1C86H: TRMP Transmit K1 and K2

Bit	Type	Function	Default
Bit 15	R/W	K1V[7]	0
Bit 14	R/W	K1V[6]	0
Bit 13	R/W	K1V[5]	0
Bit 12	R/W	K1V[4]	0
Bit 11	R/W	K1V[3]	0
Bit 10	R/W	K1V[2]	0
Bit 9	R/W	K1V[1]	0
Bit 8	R/W	K1V[0]	0
Bit 7	R/W	K2V[7]	0
Bit 6	R/W	K2V[6]	0
Bit 5	R/W	K2V[5]	0
Bit 4	R/W	K2V[4]	0
Bit 3	R/W	K2V[3]	0
Bit 2	R/W	K2V[2]	0
Bit 1	R/W	K2V[1]	0
Bit 0	R/W	K2V[0]	0

The Transmit K1/K2 Register is provided at TRMP read/write address 1086H, 1486H, 1886H, and 1C86H.

K1V[7:0], K2V[7:0]

The K1, K2 bytes value (K1V[7:0], K2V[7:0]) bits hold the APS bytes to be inserted in the data stream. The K1V[7:0], K2V[7:0] values are inserted in the K1, K2 bytes of STS-1/STM-0 #1 if the insertion is enabled via the K1K2REGEN register bit.

Register 1087H, 1487H, 1887H, and 1C87H: TRMP Transmit S1 and Z1

Bit	Type	Function	Default
Bit 15	R/W	S1V[7]	0
Bit 14	R/W	S1V[6]	0
Bit 13	R/W	S1V[5]	0
Bit 12	R/W	S1V[4]	0
Bit 11	R/W	S1V[3]	0
Bit 10	R/W	S1V[2]	0
Bit 9	R/W	S1V[1]	0
Bit 8	R/W	S1V[0]	0
Bit 7	R/W	Z1V[7]	0
Bit 6	R/W	Z1V[6]	0
Bit 5	R/W	Z1V[5]	0
Bit 4	R/W	Z1V[4]	0
Bit 3	R/W	Z1V[3]	0
Bit 2	R/W	Z1V[2]	0
Bit 1	R/W	Z1V[1]	0
Bit 0	R/W	Z1V[0]	0

The Transmit S1/Z1 Register is provided at TRMP read/write address 1087H, 1487H, 1887H, and 1C87H.

Z1V[7:0]

The Z1 byte value (Z1V[7:0]) bits hold the Z1 growth byte to be inserted in the data stream. The Z1V[7:0] value is inserted in the Z1 byte if the insertion is enabled via the Z1REGEN register bit.

S1V[7:0]

The S1 byte value (S1V[7:0]) bits hold the synchronization status message to be inserted in the data stream. The S1V[7:0] value is inserted in the S1 byte of STS-1/STM-0 #1 if the insertion is enabled via the S1REGEN register bit.

Register 1088H, 1488H, 1888H, and 1C88H: TRMP Transmit Z2 and E2

Bit	Type	Function	Default
Bit 15	R/W	Z2V[7]	0
Bit 14	R/W	Z2V[6]	0
Bit 13	R/W	Z2V[5]	0
Bit 12	R/W	Z2V[4]	0
Bit 11	R/W	Z2V[3]	0
Bit 10	R/W	Z2V[2]	0
Bit 9	R/W	Z2V[1]	0
Bit 8	R/W	Z2V[0]	0
Bit 7	R/W	E2V[7]	0
Bit 6	R/W	E2V[6]	0
Bit 5	R/W	E2V[5]	0
Bit 4	R/W	E2V[4]	0
Bit 3	R/W	E2V[3]	0
Bit 2	R/W	E2V[2]	0
Bit 1	R/W	E2V[1]	0
Bit 0	R/W	E2V[0]	0

The Transmit Z2/E2 Register is provided at TRMP read/write address 1088H, 1488H, 1888H, and 1C88H.

E2V[7:0]

The E2 byte value (E2[7:0]) bits hold the line order wire to be inserted in the data stream. The E2V[7:0] value is inserted in the E2 byte of STS-1/STM-0 #1 if the insertion is enabled via the E2REGEN register bit.

Z2V[7:0]

The Z2 byte value (Z2V[7:0]) bits hold the Z2 growth byte to be inserted in the data stream. The Z2V[7:0] value is inserted in the Z2 byte if the insertion is enabled via the Z2REGEN register bit.

Register 1089H, 1489H, 1889H, and 1C89H: TRMP Transmit H1 and H2 Mask

Bit	Type	Function	Default
Bit 15	R/W	H1MASK[7]	0
Bit 14	R/W	H1MASK[6]	0
Bit 13	R/W	H1MASK[5]	0
Bit 12	R/W	H1MASK[4]	0
Bit 11	R/W	H1MASK[3]	0
Bit 10	R/W	H1MASK[2]	0
Bit 9	R/W	H1MASK[1]	0
Bit 8	R/W	H1MASK[0]	0
Bit 7	R/W	H2MASK[7]	0
Bit 6	R/W	H2MASK[6]	0
Bit 5	R/W	H2MASK[5]	0
Bit 4	R/W	H2MASK[4]	0
Bit 3	R/W	H2MASK[3]	0
Bit 2	R/W	H2MASK[2]	0
Bit 1	R/W	H2MASK[1]	0
Bit 0	R/W	H2MASK[0]	0

The Transmit H1/H2 Mask Register is provided at TRMP read/write address 1089H, 1489H, 1889H, and 1C89H.

H2MASK[7:0]

The H2 mask (H2MASK[7:0]) bits hold the H2 path payload pointer errors to be inserted in the data stream. The H2MASK[7:0] is XORed with the path payload pointer already in the data stream.

H1MASK[7:0]

The H1 mask (H1MASK[7:0]) bits hold the H1 path payload pointer errors to be inserted in the data stream. The H1MASK[7:0] is XORed with the path payload pointer already in the data stream.

Register 108AH, 148AH, 188AH, and 1C8AH: TRMP Transmit B1 and B2 Mask

Bit	Type	Function	Default
Bit 15	R/W	B1MASK[7]	0
Bit 14	R/W	B1MASK[6]	0
Bit 13	R/W	B1MASK[5]	0
Bit 12	R/W	B1MASK[4]	0
Bit 11	R/W	B1MASK[3]	0
Bit 10	R/W	B1MASK[2]	0
Bit 9	R/W	B1MASK[1]	0
Bit 8	R/W	B1MASK[0]	0
Bit 7	R/W	B2MASK[7]	0
Bit 6	R/W	B2MASK[6]	0
Bit 5	R/W	B2MASK[5]	0
Bit 4	R/W	B2MASK[4]	0
Bit 3	R/W	B2MASK[3]	0
Bit 2	R/W	B2MASK[2]	0
Bit 1	R/W	B2MASK[1]	0
Bit 0	R/W	B2MASK[0]	0

The Transmit B1/B2 Mask Register is provided at TRMP read/write address 108AH, 148AH, 188AH, and 1C8AH.

B2MASK[7:0]

The B2 mask (B2MASK[7:0]) bits hold the B2 BIP-8 errors to be inserted in the data stream. The B2MASK[7:0] is XORed with the calculated B2 before insertion in the B2 byte.

B1MASK[7:0]

The B1 mask (B1MASK[7:0]) bits hold the B1 BIP-8 errors to be inserted in the data stream. The B1MASK[7:0] is XORed with the calculated B1 before insertion in the B1 byte.

Register 10A0H, 14A0H, 18A0H, and 1CA0H: TTTP SECTION Indirect Address

Bit	Type	Function	Default
Bit 15	R	BUSY	X
Bit 14	R/W	RWB	0
Bit 13	—	Unused	X
Bit 12	R/W	IADDR[6]	0
Bit 11	R/W	IADDR[5]	0
Bit 10	R/W	IADDR[4]	0
Bit 9	R/W	IADDR[3]	0
Bit 8	R/W	IADDR[2]	0
Bit 7	R/W	IADDR[1]	0
Bit 6	R/W	IADDR[0]	0
Bit 5	—	Unused	X
Bit 4	—	Unused	X
Bit 3	R/W	PATH[3]	0
Bit 2	R/W	PATH[2]	0
Bit 1	R/W	PATH[1]	0
Bit 0	R/W	PATH[0]	0

The Indirect Address Register is provided at TTTP read/write address 10A0H, 14A0H, 18A0H, and 1CA0H.

PATH[3:0]

The STS-1/STM-0 path (PATH[3:0]) bits select which STS-1/STM-0 path is accessed by the current indirect transfer. When the TTTP generates section trace message, path #1 is valid.

PATH[3:0]	STS-1/STM-0 path #
0000	Invalid path
0001	SECTION
0010-1111	Invalid path

IADDR[6:0]

The indirect address location (IADDR[6:0]) bits select which indirect address location is accessed by the current indirect transfer.

Indirect Address IADDR[6:0]	Indirect Data
000 0000	Configuration
000 0001 to 011 1111	Invalid address
100 0000	First byte of the 1/16/64 byte trace
100 0001 to	Other bytes of the 16/64 byte trace

Indirect Address IADDR[6:0]	Indirect Data
111 1111	

RWB

The active high read and active low write (RWB) bit selects if the current access to the internal RAM is an indirect read or an indirect write. Writing to the Indirect Address Register initiates an access to the internal RAM. When RWB is set to logic 1, an indirect read access to the RAM is initiated. The data from the addressed location in the internal RAM will be transferred to the Indirect Data Register. When RWB is set to logic 0, an indirect write access to the RAM is initiated. The data from the Indirect Data Register will be transferred to the addressed location in the internal RAM.

BUSY

The active high RAM busy (BUSY) bit reports if a previously initiated indirect access to the internal RAM has been completed. BUSY is set to logic 1 upon writing to the Indirect Address Register. BUSY is set to logic 0, upon completion of the RAM access. This register should be polled to determine when new data is available in the Indirect Data Register.

Note: The maximum busy bit set time is 22 clock receive/transmit cycles.

Register 10A1H, 14A1H, 18A1H, and 1CA1H: TTTP SECTION Indirect Data

Bit	Type	Function	Default
Bit 15	R/W	DATA[15]	0
Bit 14	R/W	DATA[14]	0
Bit 13	R/W	DATA[13]	0
Bit 12	R/W	DATA[12]	0
Bit 11	R/W	DATA[11]	0
Bit 10	R/W	DATA[10]	0
Bit 9	R/W	DATA[9]	0
Bit 8	R/W	DATA[8]	0
Bit 7	R/W	DATA[7]	0
Bit 6	R/W	DATA[6]	0
Bit 5	R/W	DATA[5]	0
Bit 4	R/W	DATA[4]	0
Bit 3	R/W	DATA[3]	0
Bit 2	R/W	DATA[2]	0
Bit 1	R/W	DATA[1]	0
Bit 0	R/W	DATA[0]	0

The Indirect Data Register is provided at TTTP read/write address 10A1H, 14A1H, 18A1H, and 1CA1H.

DATA[15:0]

The indirect access data (DATA[15:0]) bits hold the data transfer to or from the internal RAM during indirect access. When RWB is set to logic 1 (indirect read), the data from the addressed location in the internal RAM will be transfer to DATA[15:0]. BUSY should be polled to determine when the new data is available in DATA[15:0]. When RWB is set to logic 0 (indirect write), the data from DATA[15:0] will be transferred to the addressed location in the internal RAM. The indirect Data register must contain valid data before the indirect write is initiated by writing to the Indirect Address Register.

DATA[15:0] has a different meaning depending on which address of the internal RAM is being accessed.

Indirect Register 00H: TTTP SECTION Trace Configuration

Bit	Type	Function	Default
Bit 15	—	Unused	X
Bit 14	—	Unused	X
Bit 13	—	Unused	X
Bit 12	—	Unused	X
Bit 11	—	Unused	X
Bit 10	—	Unused	X
Bit 9	—	Unused	X
Bit 8	—	Unused	X
Bit 7	—	Unused	X
Bit 6	—	Unused	X
Bit 5	—	Unused	X
Bit 4	—	Unused	X
Bit 3	—	Unused	X
Bit 2	R/W	ZEROEN	0
Bit 1	R/W	BYTEEN	0
Bit 0	R/W	LENGTH16	0

The Trace Configuration Indirect Register is provided at TTTP read/write indirect address 00H.

LENGTH16

The message length (LENGTH16) bit selects the length of the trail trace message to be transmitted. When LENGTH16 is set to logic 1, the length of the trail trace message is 16 byte. When LENGTH16 is set to logic 0, the length of the trail trace message is 64 byte.

BYTEEN

The single byte message enable (BYTEEN) bit enables the single byte trail trace message. When BYTEEN is set to logic 1, the length of the trail trace message is 1 byte. When BYTEEN is set to logic 0, the length of the trail trace message is determined by LENGTH16. BYTEEN has precedence over LENGTH16.

ZEROEN

The all zero message enable (ZEROEN) bit enables the transmission of an all zero trail trace message. When ZEROEN is set to logic 1, an all zero message is transmitted. When ZEROEN is set to logic 0, the RAM message is transmitted. The enabling and disabling of the all zero trail trace message is not done on message boundary since the receiver is required to perform filtering on the message.

Indirect Register 40H to 7FH: TTTP SECTION Trace

Bit	Type	Function	Default
Bit 15	—	Unused	X
Bit 14	—	Unused	X
Bit 13	—	Unused	X
Bit 12	—	Unused	X
Bit 11	—	Unused	X
Bit 10	—	Unused	X
Bit 9	—	Unused	X
Bit 8	—	Unused	X
Bit 7	R/W	TRACE[7]	X
Bit 6	R/W	TRACE[6]	X
Bit 5	R/W	TRACE[5]	X
Bit 4	R/W	TRACE[4]	X
Bit 3	R/W	TRACE[3]	X
Bit 2	R/W	TRACE[2]	X
Bit 1	R/W	TRACE[1]	X
Bit 0	R/W	TRACE[0]	X

The Trace Indirect Register is provided at TTTP read/write indirect address 4FH to 7FH.

TRACE[7:0]

The trail trace message (TRACE[7:0]) bits contain the trail trace message to be transmitted. When BYTEEN is set to logic 1, the message is stored at address 40h. When BYTEEN is set to logic 0 and LENGTH16 is set to logic 1, the message is stored between address 40h and 4Fh. When BYTEEN is set to logic 0 and LENGTH16 is set to logic 0, the message is stored between address 40h and 7Fh.

Register 10C0H, 14C0H, 18C0H, and 1CC0H: TTP PATH Indirect Address

Bit	Type	Function	Default
Bit 15	R	BUSY	X
Bit 14	R/W	RWB	0
Bit 13	—	Unused	X
Bit 12	R/W	IADDR[6]	0
Bit 11	R/W	IADDR[5]	0
Bit 10	R/W	IADDR[4]	0
Bit 9	R/W	IADDR[3]	0
Bit 8	R/W	IADDR[2]	0
Bit 7	R/W	IADDR[1]	0
Bit 6	R/W	IADDR[0]	0
Bit 5	—	Unused	X
Bit 4	—	Unused	X
Bit 3	R/W	PATH[3]	0
Bit 2	R/W	PATH[2]	0
Bit 1	R/W	PATH[1]	0
Bit 0	R/W	PATH[0]	0

The Indirect Address Register is provided at TTP read/write address 10C0H, 14C0H, 18C0H, and 1CC0H.

PATH[3:0]

The STS-1/STM-0 path (PATH[3:0]) bits select which STS-1/STM-0 path is accessed by the current indirect transfer. When the TTP generates path trace messages, paths #1 to #12.

PATH[3:0]	STS-1/STM-0 path #
0000	Invalid path
0001-1100	Path #1 to Path #12
1101-1111	Invalid path

IADDR[6:0]

The indirect address location (IADDR[6:0]) bits select which indirect address location is accessed by the current indirect transfer.

Indirect Address IADDR[6:0]	Indirect Data
000 0000	Configuration
000 0001 to 011 1111	Invalid address
100 0000	First byte of the 1/16/64 byte trace
100 0001 to	Other bytes of the 16/64 byte trace

Indirect Address IADDR[6:0]	Indirect Data
111 1111	

RWB

The active high read and active low write (RWB) bit selects if the current access to the internal RAM is an indirect read or an indirect write. Writing to the Indirect Address Register initiates an access to the internal RAM. When RWB is set to logic 1, an indirect read access to the RAM is initiated. The data from the addressed location in the internal RAM will be transferred to the Indirect Data Register. When RWB is set to logic 0, an indirect write access to the RAM is initiated. The data from the Indirect Data Register will be transferred to the addressed location in the internal RAM.

BUSY

The active high RAM busy (BUSY) bit reports if a previously initiated indirect access to the internal RAM has been completed. BUSY is set to logic 1 upon writing to the Indirect Address Register. BUSY is set to logic 0, upon completion of the RAM access. This register should be polled to determine when new data is available in the Indirect Data Register.

Note: The maximum busy bit set time is 22 clock receive/transmit cycles.

Downloaded by Content Team of Partminer Inc on Thu Apr 27 2017 15:05 PM

Register 10C1H, 14C1H, 18C1H, and 1CC1H: TTP PATH Indirect Data

Bit	Type	Function	Default
Bit 15	R/W	DATA[15]	0
Bit 14	R/W	DATA[14]	0
Bit 13	R/W	DATA[13]	0
Bit 12	R/W	DATA[12]	0
Bit 11	R/W	DATA[11]	0
Bit 10	R/W	DATA[10]	0
Bit 9	R/W	DATA[9]	0
Bit 8	R/W	DATA[8]	0
Bit 7	R/W	DATA[7]	0
Bit 6	R/W	DATA[6]	0
Bit 5	R/W	DATA[5]	0
Bit 4	R/W	DATA[4]	0
Bit 3	R/W	DATA[3]	0
Bit 2	R/W	DATA[2]	0
Bit 1	R/W	DATA[1]	0
Bit 0	R/W	DATA[0]	0

The Indirect Data Register is provided at TTP read/write address 10C1H, 14C1H, 18C1H, and 1CC1H.

DATA[15:0]

The indirect access data (DATA[15:0]) bits hold the data transfer to or from the internal RAM during indirect access. When RWB is set to logic 1 (indirect read), the data from the addressed location in the internal RAM will be transfer to DATA[15:0]. BUSY should be polled to determine when the new data is available in DATA[15:0]. When RWB is set to logic 0 (indirect write), the data from DATA[15:0] will be transferred to the addressed location in the internal RAM. The indirect Data register must contain valid data before the indirect write is initiated by writing to the Indirect Address Register.

DATA[15:0] has a different meaning depending on which address of the internal RAM is being accessed.

Indirect Register 00H: TTTP PATH Trace Configuration

Bit	Type	Function	Default
Bit 15	—	Unused	X
Bit 14	—	Unused	X
Bit 13	—	Unused	X
Bit 12	—	Unused	X
Bit 11	—	Unused	X
Bit 10	—	Unused	X
Bit 9	—	Unused	X
Bit 8	—	Unused	X
Bit 7	—	Unused	X
Bit 6	—	Unused	X
Bit 5	—	Unused	X
Bit 4	—	Unused	X
Bit 3	—	Unused	X
Bit 2	R/W	ZEROEN	0
Bit 1	R/W	BYTEEN	0
Bit 0	R/W	LENGTH16	0

The Trace Configuration Indirect Register is provided at TTTP read/write indirect address 00H.

LENGTH16

The message length (LENGTH16) bit selects the length of the trail trace message to be transmitted. When LENGTH16 is set to logic 1, the length of the trail trace message is 16 byte. When LENGTH16 is set to logic 0, the length of the trail trace message is 64 byte.

BYTEEN

The single byte message enable (BYTEEN) bit enables the single byte trail trace message. When BYTEEN is set to logic 1, the length of the trail trace message is 1 byte. When BYTEEN is set to logic 0, the length of the trail trace message is determined by LENGTH16. BYTEEN has precedence over LENGTH16.

ZEROEN

The all zero message enable (ZEROEN) bit enables the transmission of an all zero trail trace message. When ZEROEN is set to logic 1, an all zero message is transmitted. When ZEROEN is set to logic 0, the RAM message is transmitted. The enabling and disabling of the all zero trail trace message is not done on message boundary since the receiver is required to perform filtering on the message.

Indirect Register 40H to 7FH: TTTP PATH Trace

Bit	Type	Function	Default
Bit 15	—	Unused	X
Bit 14	—	Unused	X
Bit 13	—	Unused	X
Bit 12	—	Unused	X
Bit 11	—	Unused	X
Bit 10	—	Unused	X
Bit 9	—	Unused	X
Bit 8	—	Unused	X
Bit 7	R/W	TRACE[7]	X
Bit 6	R/W	TRACE[6]	X
Bit 5	R/W	TRACE[5]	X
Bit 4	R/W	TRACE[4]	X
Bit 3	R/W	TRACE[3]	X
Bit 2	R/W	TRACE[2]	X
Bit 1	R/W	TRACE[1]	X
Bit 0	R/W	TRACE[0]	X

The Trace Indirect Register is provided at TTTP read/write indirect address 4FH to 7FH.

TRACE[7:0]

The trail trace message (TRACE[7:0]) bits contain the trail trace message to be transmitted. When BYTEEN is set to logic 1, the message is stored at address 40h. When BYTEEN is set to logic 0 and LENGTH16 is set to logic 1, the message is stored between address 40h and 4Fh. When BYTEEN is set to logic 0 and LENGTH16 is set to logic 0, the message is stored between address 40h and 7Fh.

Register 10E0H, 14E0H, 18E0H, and 1CE0H: TTTT PATH TU3 Indirect Address

Bit	Type	Function	Default
Bit 15	R	BUSY	X
Bit 14	R/W	RWB	0
Bit 13	—	Unused	X
Bit 12	R/W	IADDR[6]	0
Bit 11	R/W	IADDR[5]	0
Bit 10	R/W	IADDR[4]	0
Bit 9	R/W	IADDR[3]	0
Bit 8	R/W	IADDR[2]	0
Bit 7	R/W	IADDR[1]	0
Bit 6	R/W	IADDR[0]	0
Bit 5	—	Unused	X
Bit 4	—	Unused	X
Bit 3	R/W	PATH[3]	0
Bit 2	R/W	PATH[2]	0
Bit 1	R/W	PATH[1]	0
Bit 0	R/W	PATH[0]	0

The Indirect Address Register is provided at TTTT read/write address 10E0H, 14E0H, 18E0H, and 1CE0H.

PATH[3:0]

The STS-1/STM-0 path (PATH[3:0]) bits select which STS-1/STM-0 path is accessed by the current indirect transfer. When the TTTT generates path trace messages, paths #1 to #12 are valid.

PATH[3:0]	STS-1/STM-0 path #
0000	Invalid path
0001-1100	Path #1 to Path #12
1101-1111	Invalid path

IADDR[6:0]

The indirect address location (IADDR[6:0]) bits select which indirect address location is accessed by the current indirect transfer.

Indirect Address IADDR[6:0]	Indirect Data
000 0000	Configuration
000 0001 to 011 1111	Invalid address
100 0000	First byte of the 1/16/64 byte trace
100 0001 to	Other bytes of the 16/64 byte trace

Indirect Address IADDR[6:0]	Indirect Data
111 1111	

RWB

The active high read and active low write (RWB) bit selects if the current access to the internal RAM is an indirect read or an indirect write. Writing to the Indirect Address Register initiates an access to the internal RAM. When RWB is set to logic 1, an indirect read access to the RAM is initiated. The data from the addressed location in the internal RAM will be transferred to the Indirect Data Register. When RWB is set to logic 0, an indirect write access to the RAM is initiated. The data from the Indirect Data Register will be transferred to the addressed location in the internal RAM.

BUSY

The active high RAM busy (BUSY) bit reports if a previously initiated indirect access to the internal RAM has been completed. BUSY is set to logic 1 upon writing to the Indirect Address Register. BUSY is set to logic 0, upon completion of the RAM access. This register should be polled to determine when new data is available in the Indirect Data Register.

Note: The maximum busy bit set time is 22 clock receive/transmit cycles.

Register 10E1H, 14E1H, 18E1H, and 1CE1H: TTTP PATH TU3 Indirect Data

Bit	Type	Function	Default
Bit 15	R/W	DATA[15]	0
Bit 14	R/W	DATA[14]	0
Bit 13	R/W	DATA[13]	0
Bit 12	R/W	DATA[12]	0
Bit 11	R/W	DATA[11]	0
Bit 10	R/W	DATA[10]	0
Bit 9	R/W	DATA[9]	0
Bit 8	R/W	DATA[8]	0
Bit 7	R/W	DATA[7]	0
Bit 6	R/W	DATA[6]	0
Bit 5	R/W	DATA[5]	0
Bit 4	R/W	DATA[4]	0
Bit 3	R/W	DATA[3]	0
Bit 2	R/W	DATA[2]	0
Bit 1	R/W	DATA[1]	0
Bit 0	R/W	DATA[0]	0

The Indirect Data Register is provided at TTTP read/write address 10E1H, 14E1H, 18E1H, and 1CE1H.

DATA[15:0]

The indirect access data (DATA[15:0]) bits hold the data transfer to or from the internal RAM during indirect access. When RWB is set to logic 1 (indirect read), the data from the addressed location in the internal RAM will be transfer to DATA[15:0]. BUSY should be polled to determine when the new data is available in DATA[15:0]. When RWB is set to logic 0 (indirect write), the data from DATA[15:0] will be transferred to the addressed location in the internal RAM. The indirect Data register must contain valid data before the indirect write is initiated by writing to the Indirect Address Register.

DATA[15:0] has a different meaning depending on which address of the internal RAM is being accessed.

Indirect Register 00H: TTTP PATH TU3 Trace Configuration

Bit	Type	Function	Default
Bit 15	—	Unused	X
Bit 14	—	Unused	X
Bit 13	—	Unused	X
Bit 12	—	Unused	X
Bit 11	—	Unused	X
Bit 10	—	Unused	X
Bit 9	—	Unused	X
Bit 8	—	Unused	X
Bit 7	—	Unused	X
Bit 6	—	Unused	X
Bit 5	—	Unused	X
Bit 4	—	Unused	X
Bit 3	—	Unused	X
Bit 2	R/W	ZEROEN	0
Bit 1	R/W	BYTEEN	0
Bit 0	R/W	LENGTH16	0

The Trace Configuration Indirect Register is provided at TTTP read/write indirect address 00H.

LENGTH16

The message length (LENGTH16) bit selects the length of the trail trace message to be transmitted. When LENGTH16 is set to logic 1, the length of the trail trace message is 16 byte. When LENGTH16 is set to logic 0, the length of the trail trace message is 64 byte.

BYTEEN

The single byte message enable (BYTEEN) bit enables the single byte trail trace message. When BYTEEN is set to logic 1, the length of the trail trace message is 1 byte. When BYTEEN is set to logic 0, the length of the trail trace message is determined by LENGTH16. BYTEEN has precedence over LENGTH16.

ZEROEN

The all zero message enable (ZEROEN) bit enables the transmission of an all zero trail trace message. When ZEROEN is set to logic 1, an all zero message is transmitted. When ZEROEN is set to logic 0, the RAM message is transmitted. The enabling and disabling of the all zero trail trace message is not done on message boundary since the receiver is required to perform filtering on the message.

Indirect Register 40H to 7FH: TTTP PATH TU3 Trace

Bit	Type	Function	Default
Bit 15	—	Unused	X
Bit 14	—	Unused	X
Bit 13	—	Unused	X
Bit 12	—	Unused	X
Bit 11	—	Unused	X
Bit 10	—	Unused	X
Bit 9	—	Unused	X
Bit 8	—	Unused	X
Bit 7	R/W	TRACE[7]	X
Bit 6	R/W	TRACE[6]	X
Bit 5	R/W	TRACE[5]	X
Bit 4	R/W	TRACE[4]	X
Bit 3	R/W	TRACE[3]	X
Bit 2	R/W	TRACE[2]	X
Bit 1	R/W	TRACE[1]	X
Bit 0	R/W	TRACE[0]	X

The Trace Indirect Register is provided at TTTP read/write indirect address 4FH to 7FH.

TRACE[7:0]

The trail trace message (TRACE[7:0]) bits contain the trail trace message to be transmitted. When BYTEEN is set to logic 1, the message is stored at address 40h. When BYTEEN is set to logic 0 and LENGTH16 is set to logic 1, the message is stored between address 40h and 4Fh. When BYTEEN is set to logic 0 and LENGTH16 is set to logic 0, the message is stored between address 40h and 7Fh.

Register 1100H, 1500H, 1900H, and 1D00H: THPP Indirect Address

Bit	Type	Function	Default
Bit 15	R	BUSY	X
Bit 14	R/W	RWB	0
Bit 13	—	Unused	X
Bit 12	—	Unused	X
Bit 11	—	Unused	X
Bit 10	—	Unused	X
Bit 9	R/W	IADDR[3]	0
Bit 8	R/W	IADDR[2]	0
Bit 7	R/W	IADDR[1]	0
Bit 6	R/W	IADDR[0]	0
Bit 5	—	Unused	X
Bit 4	—	Unused	X
Bit 3	R/W	PATH[3]	0
Bit 2	R/W	PATH[2]	0
Bit 1	R/W	PATH[1]	0
Bit 0	R/W	PATH[0]	0

The Indirect Addressing Register is provided at THPP read/write address 1100H, 1500H, 1900H, and 1D00H.

PATH[3:0]

The STS-1/STM-0 path (PATH[3:0]) bits select which STS-1/STM-0 path is accessed by the current indirect transfer.

PATH[3:0]	STS-1/STM-0 path #
0000	Invalid path
0001-1100	Path #1 to Path #12
1101-1111	Invalid path

IADDR[3:0]

The indirect address (IADDR[3:0]) bits select which address location is accessed by the current indirect transfer.

IADDR[3:0]	Indirect Register
0000	THPP Control Register
0001	THPP Source & Pointer Control
0010	Unused
0011	Unused
0100	THPP Fixed stuff byte and B3MASK
0101	THPP J1 and C2 POH

IADDR[3:0]	Indirect Register
0110	THPP G1 POH and H4MASK
0111	THPP F2 and Z3 POH
1000	THPP Z4 and Z5 POH
1001 to 1111	Unused

RWB

The active high read and active low write (RWB) bit selects if the current access to the internal RAM is an indirect read or an indirect write. Writing to the Indirect Address Register initiates an access to the internal RAM. When RWB is set to logic 1, an indirect read access to the RAM is initiated. The data from the addressed location in the internal RAM will be transferred to the Indirect Data Register. When RWB is set to logic 0, an indirect write access to the RAM is initiated. The data from the Indirect Data Register will be transferred to the addressed location in the internal RAM.

BUSY

The BUSY (BUSY) bit reports the status of an indirect read/write access to the time sliced ram. BUSY is set to logic 1 upon writing to the Indirect Addressing Register. BUSY is set to logic 0, upon completion of the RAM transfer. This register should be polled to determine when new data is available in the Indirect Data Register.

Note: The maximum busy bit set time is 22 clock receive/transmit cycles.

Register 1101H, 1501H, 1901H, and 1D01H: THPP Indirect Data

Bit	Type	Function	Default
Bit 15	R/W	DATA[15]	0
Bit 14	R/W	DATA[14]	0
Bit 13	R/W	DATA[13]	0
Bit 12	R/W	DATA[12]	0
Bit 11	R/W	DATA[11]	0
Bit 10	R/W	DATA[10]	0
Bit 9	R/W	DATA[9]	0
Bit 8	R/W	DATA[8]	0
Bit 7	R/W	DATA[7]	0
Bit 6	R/W	DATA[6]	0
Bit 5	R/W	DATA[5]	0
Bit 4	R/W	DATA[4]	0
Bit 3	R/W	DATA[3]	0
Bit 2	R/W	DATA[2]	0
Bit 1	R/W	DATA[1]	0
Bit 0	R/W	DATA[0]	0

The Indirect Data Register is provided at THPP read/write address 1101H, 1501H, 1901H, and 1D01H.

DATA[15:0]

The indirect access data (DATA[15:0]) bits hold the data transfer to or from the internal RAM during indirect access. When RWB is set to logic 1 (indirect read), the data from the addressed location in the internal RAM will be transferred to DATA[15:0]. BUSY should be polled to determine when the new data is available in DATA[15:0]. When RWB is set to logic 0 (indirect write), the data from DATA[15:0] will be transferred to the addressed location in the internal RAM. The indirect Data register must contain valid data before the indirect write is initiated by writing to the Indirect Address Register.

DATA[15:0] has a different meaning depending on which address of the internal RAM is being accessed.

Register 1102H, 1502H, 1902H, and 1D02H: THPP Payload Configuration

Bit	Type	Function	Default
Bit 15	R/W	STS12CSL	0
Bit 14	R/W	STS12C	0
Bit 13	R/W	Reserved	0
Bit 12	—	Unused	X
Bit 11	—	Unused	X
Bit 10	—	Unused	X
Bit 9	—	Unused	X
Bit 8	—	Unused	X
Bit 7	R/W	Reserved	0
Bit 6	R/W	Reserved	0
Bit 5	R/W	Reserved	0
Bit 4	R/W	Reserved	0
Bit 3	R/W	STS3C[4]	0
Bit 2	R/W	STS3C[3]	0
Bit 1	R/W	STS3C[2]	0
Bit 0	R/W	STS3C[1]	0

The Payload Configuration Register is provided at THPP read/write address 1102H, 1502H, 1902H, and 1D02H.

STS3C[1]

The STS-3c (VC-4) payload configuration (STS3C[1]) bit selects the payload configuration. When STS3C[1] is set to logic 1, the STS-1/STM-0 paths #1, #5 and #9 are part of a STS-3c (VC-4) payload. When STS3C[1] is set to logic 0, the paths are STS-1 (VC-3) payloads. When STS12C is set to logic 1, STS3C[1] must be set to logic 0.

STS3C[2]

The STS-3c (VC-4) payload configuration (STS3C[2]) bit selects the payload configuration. When STS3C[2] is set to logic 1, the STS-1/STM-0 paths #2, #6 and #10 are part of a STS-3c (VC-4) payload. When STS3C[2] is set to logic 0, the paths are STS-1 (VC-3) payloads. When STS12C is set to logic 1, STS3C[2] must be set to logic 0.

STS3C[3]

The STS-3c (VC-4) payload configuration (STS3C[3]) bit selects the payload configuration. When STS3C[3] is set to logic 1, the STS-1/STM-0 paths #3, #7 and #11 are part of a STS-3c (VC-4) payload. When STS3C[3] is set to logic 0, the paths are STS-1 (VC-3) payloads. When STS12C is set to logic 1, STS3C[3] must be set to logic 0.

STS3C[4]

The STS-3c (VC-4) payload configuration (STS3C[4]) bit selects the payload configuration. When STS3C[4] is set to logic 1, the STS-1/STM-0 paths #4, #8 and #12 are part of a STS-3c (VC-4) payload. When STS3C[4] is set to logic 0, the paths are STS-1 (VC-3) payloads. When STS12C is set to logic 1, STS3C[4] must be set to logic 0.

Reserved

The reserved bits must be programmed to their default values for proper operation.

STS12C

The STS-12c (VC-4-4c) payload configuration (STS12C) bit selects the payload configuration. When STS12C is set to logic 1, the STS-1/STM-0 paths #1 to #12 are part of an STS-12c (VC-4-4c) payload. When STS12C is set to logic 0, the STS-1/STM-0 paths are defined with the STS3C[1:4] register bit.

STS12CSL

The slave STS-12c (VC-4-4c) payload configuration (STS12CSL) bit selects the slave payload configuration. When STS12CSL is set to logic 1, the STS-1/STM-0 paths #1 to #12 are part of a STS-12c (VC-4-4c) slave payload. When STS12CSL is set to logic 0, the STS-1/STM-0 paths #1 to # 12 are part of a STS-12c (VC-4-4c) master payload. When STS12C is set to logic 0, the STS12CSL must be set to logic 0.

Indirect Register 00H: THPP Control

Bit	Type	Function	Default
Bit 15	—	Unused	X
Bit 14	—	Unused	X
Bit 13	—	Unused	X
Bit 12	—	Unused	X
Bit 11	—	Unused	X
Bit 10	—	Unused	X
Bit 9	—	Unused	X
Bit 8	—	Unused	X
Bit 7	R/W	Reserved	0
Bit 6	R/W	Reserved	0
Bit 5	R/W	TDIS	0
Bit 4	—	Unused	X
Bit 3	R/W	FSBEN	0
Bit 2	R/W	PREIEBLK	0
Bit 1	R/W	EXCFS	0
Bit 0	—	Unused	X

The THPP Control Indirect Register is provided at THPP read/write indirect address 00H.

EXCFS

When EXCFS is logic 1, the fixed stuff columns in the STS-1 (VC-3) format are excluded from BIP-8 calculations. When EXCFS is logic 0, the fixed stuff columns in the STS-1 (VC-3) format are included in the BIP calculations.

PREIEBLK

When PREIEBLK is logic 1, the REI-P value source from the RHPP represents BIP-8 block errors, i.e. the REI-P value allowed in G1 is either 0 or 1. When PREIEBLK is logic 0, the REI-P value source from the RHPP represents BIP-8 errors, i.e. the REI-P value allowed in G1 is from 0 to 8.

FSBEN

When FSBEN is logic 1, the THPP overwrites the fixed stuff bytes with the register value FSB[7:0]. When FSBEN is logic 0, the fixed stuff bytes are not over written.

TDIS

When TDIS is logic 1, the path overhead bytes are passed through the THPP transparently from the ADD TelecomBus without being overwritten by the THPP. When TDIS is logic 0, the THPP can insert path overhead bytes.

Reserved

The reserved bits must be programmed to their default values for proper operation.

Downloaded by Content Team of Partminer Inc on Thursday, 27 April, 2006 09:55:05 PM

Indirect Register 01H: THPP Source and Pointer Control

Bit	Type	Function	Default
Bit 15	R/W	UNEQV	0
Bit 14	R/W	UNEQ	0
Bit 13	R/W	H4MASK	0
Bit 12	R/W	B3MASK	0
Bit 11	R/W	ENG1REC	1
Bit 10	R/W	H4REGMASK	0
Bit 9	R/W	PTBJ1	0
Bit 8	R/W	SRCZ5	0
Bit 7	R/W	SRCZ4	0
Bit 6	R/W	SRCZ3	0
Bit 5	R/W	SRCF2	0
Bit 4	R/W	SRCG1	0
Bit 3	R/W	SRCH4	0
Bit 2	R/W	SRCC2	0
Bit 1	R/W	SRCJ1	0
Bit 0	R/W	IBER	0

The THPP Control Indirect Register is provided at THPP read/write indirect address 01H.

IBER

When the IBER is logic 1, the G1 byte is passed through the THPP transparently from the ADD TelecomBus. When IBER is logic 0, the G1 byte can be modified by the THPP. SRCJ1, SRCC2, SRCH4, SRCG1, SRCF2, SRCZ3, SRCZ4, SRCZ5

The SRCxx bits are used to determine the source of the path overhead bytes. When a logic 1 is written to SRCJ1, the J1 byte inserted in the transmit data stream is source from the internal J1 register. When a logic 0 is written to SRCJ1, the J1 byte inserted in the transmit data stream is not source from internal register.

PTBJ1

When PTBJ1 is logic 1, the J1 byte is source from the TTTP. When PTBJ1 is logic 0, the J1 byte is not source from the TTTP.

H4REGMASK

When H4REGMASK is logic 1, the H4[7:0] byte in the H4 register is used as an error mask on the H4 byte. When H4REGMASK is logic 0, the H4[7:0] byte in the H4 register is inserted in the transmit data stream.

ENG1REC

When ENG1REC is logic 1, the ERDI-P and REI-P from the RHPP are inserted into the G1 path overhead byte. When ENG1REC is logic 0, the ERDI-P and REI-P from the RHPP are not inserted.

B3MASK

When B3MASK is logic 1, the B3 byte received on the TPOH (valid only if TPOHEN is logic 1) port is used as a mask for the B3 byte. When B3MASK is logic 0, the B3 byte received on the TPOH (valid only if TPOHEN is logic 1) port is inserted in the transmit data stream.

H4MASK

When H4MASK is logic 1, the H4 byte received on the TPOH (valid only if TPOHEN is logic 1) port is used as a mask for the H4 byte. When H4MASK is logic 0, the H4 byte received on the TPOH (valid only if TPOHEN is logic 1) port is inserted in the transmit data stream.

UNEQ

The unequipped bit (UNEQ) controls the insertion of an all one or an all zero pattern in the path overhead and in the payload, the fixed stuff bytes are excluded from insertion. When UNEQ is set to logic 1, an all one or an all zero pattern is inserted in the path overhead and in the payload. When UNEQ is set logic 0, no pattern is inserted.

UNEQV

The unequipped value (UNEQV) bit controls the value inserted in the path overhead and in the payload. When UNEQV is set to logic 1, an all one pattern is inserted in the path overhead and in the payload if enable via the UNEQ register bit. When UNEQV is set to logic 0, an all zero pattern is inserted in the path overhead and in the payload if enable via the UNEQ register bit.

Indirect Register 04H: THPP Fixed Stuff and B3 Mask

Bit	Type	Function	Default
Bit 15	R/W	B3MASK[7]	0
Bit 14	R/W	B3MASK[6]	0
Bit 13	R/W	B3MASK[5]	0
Bit 12	R/W	B3MASK[4]	0
Bit 11	R/W	B3MASK[3]	0
Bit 10	R/W	B3MASK[2]	0
Bit 9	R/W	B3MASK[1]	0
Bit 8	R/W	B3MASK[0]	0
Bit 7	R/W	FSB[7]	0
Bit 6	R/W	FSB[6]	0
Bit 5	R/W	FSB[5]	0
Bit 4	R/W	FSB[4]	0
Bit 3	R/W	FSB[3]	0
Bit 2	R/W	FSB[2]	0
Bit 1	R/W	FSB[1]	0
Bit 0	R/W	FSB[0]	0

FSB[7:0]

When FSBEN is logic 1, the THPP replaces the fixed stuff bytes with the byte from this register.

B3MASK[7:0]

The calculated B3 byte to be inserted in the path overhead is XORed with this register byte to allow the user to insert errors in B3.

Indirect Register 05H: THPP J1 and C2

Bit	Type	Function	Default
Bit 15	R/W	C2[7]	0
Bit 14	R/W	C2[6]	0
Bit 13	R/W	C2[5]	0
Bit 12	R/W	C2[4]	0
Bit 11	R/W	C2[3]	0
Bit 10	R/W	C2[2]	0
Bit 9	R/W	C2[1]	0
Bit 8	R/W	C2[0]	0
Bit 7	R/W	J1[7]	0
Bit 6	R/W	J1[6]	0
Bit 5	R/W	J1[5]	0
Bit 4	R/W	J1[4]	0
Bit 3	R/W	J1[3]	0
Bit 2	R/W	J1[2]	0
Bit 1	R/W	J1[1]	0
Bit 0	R/W	J1[0]	0

J1[7:0]

When SRCJ1 is logic 1, this byte is inserted in the J1 path overhead byte position.

C2[7:0]

When SRCC2 is logic 1, this byte is inserted in the C2 path overhead byte position.

Indirect Register 06H: THPP G1 and H4 Mask

Bit	Type	Function	Default
Bit 15	R/W	H4[7]	0
Bit 14	R/W	H4[6]	0
Bit 13	R/W	H4[5]	0
Bit 12	R/W	H4[4]	0
Bit 11	R/W	H4[3]	0
Bit 10	R/W	H4[2]	0
Bit 9	R/W	H4[1]	0
Bit 8	R/W	H4[0]	0
Bit 7	R/W	G1[7]	0
Bit 6	R/W	G1[6]	0
Bit 5	R/W	G1[5]	0
Bit 4	R/W	G1[4]	0
Bit 3	R/W	G1[3]	0
Bit 2	R/W	G1[2]	0
Bit 1	R/W	G1[1]	0
Bit 0	R/W	G1[0]	0

G1[7:0]

When SRCG1 is logic 1, this byte is inserted in the G1 path overhead byte position.

H4[7:0]

The logical value of the H4REGMASK register bit determines if this byte is to be inserted in the H4 path overhead byte position or is to be used as an error mask.

Indirect Register 07H: THPP F2 and Z3

Bit	Type	Function	Default
Bit 15	R/W	F2[7]	0
Bit 14	R/W	F2[6]	0
Bit 13	R/W	F2[5]	0
Bit 12	R/W	F2[4]	0
Bit 11	R/W	F2[3]	0
Bit 10	R/W	F2[2]	0
Bit 9	R/W	F2[1]	0
Bit 8	R/W	F2[0]	0
Bit 7	R/W	Z3[7]	0
Bit 6	R/W	Z3[6]	0
Bit 5	R/W	Z3[5]	0
Bit 4	R/W	Z3[4]	0
Bit 3	R/W	Z3[3]	0
Bit 2	R/W	Z3[2]	0
Bit 1	R/W	Z3[1]	0
Bit 0	R/W	Z3[0]	0

F2[7:0]

When SRCF2 is logic 1, this byte is inserted in the F2 path overhead byte position.

Z3[7:0]

When SRCZ3 is logic 1, this byte is inserted in the Z3 path overhead byte position.

Indirect Register 08H: THPP Z4 and Z5

Bit	Type	Function	Default
Bit 15	R/W	Z4[7]	0
Bit 14	R/W	Z4[6]	0
Bit 13	R/W	Z4[5]	0
Bit 12	R/W	Z4[4]	0
Bit 11	R/W	Z4[3]	0
Bit 10	R/W	Z4[2]	0
Bit 9	R/W	Z4[1]	0
Bit 8	R/W	Z4[0]	0
Bit 7	R/W	Z5[7]	0
Bit 6	R/W	Z5[6]	0
Bit 5	R/W	Z5[5]	0
Bit 4	R/W	Z5[4]	0
Bit 3	R/W	Z5[3]	0
Bit 2	R/W	Z5[2]	0
Bit 1	R/W	Z5[1]	0
Bit 0	R/W	Z5[0]	0

Z4[7:0]

When SRCZ4 is logic 1, this byte is inserted in the Z4 path overhead byte position.

Z5[7:0]

When SRCZ5 is logic 1, this byte is inserted in the Z5 path overhead byte position.

Register 1180H, 1580H, 1980H, and 1D80H: THPP TU3 Indirect Address

Bit	Type	Function	Default
Bit 15	R	BUSY	X
Bit 14	R/W	RWB	0
Bit 13	—	Unused	X
Bit 12	—	Unused	X
Bit 11	—	Unused	X
Bit 10	—	Unused	X
Bit 9	R/W	IADDR[3]	0
Bit 8	R/W	IADDR[2]	0
Bit 7	R/W	IADDR[1]	0
Bit 6	R/W	IADDR[0]	0
Bit 5	—	Unused	X
Bit 4	—	Unused	X
Bit 3	R/W	PATH[3]	0
Bit 2	R/W	PATH[2]	0
Bit 1	R/W	PATH[1]	0
Bit 0	R/W	PATH[0]	0

The Indirect Addressing Register is provided at THPP read/write address 1180H, 1580H, 1980H, and 1D80H.

PATH[3:0]

The STS-1/STM-0 path (PATH[3:0]) bits select which STS-1/STM-0 path is accessed by the current indirect transfer.

PATH[3:0]	STS-1/STM-0 path #
0000	Invalid path
0001-1100	Path #1 to Path #12
1101-1111	Invalid path

IADDR[3:0]

The indirect address (IADDR[3:0]) bits select which address location is accessed by the current indirect transfer.

IADDR[3:0]	Indirect Register
0000	THPP Control Register
0001	THPP Source & Pointer Control
0010	Unused
0011	Unused
0100	THPP Fixed stuff byte and B3MASK
0101	THPP J1 and C2 POH

IADDR[3:0]	Indirect Register
0110	THPP G1 POH and H4MASK
0111	THPP F2 and Z3 POH
1000	THPP Z4 and Z5 POH
1001 to 1111	Unused

RWB

The active high read and active low write (RWB) bit selects if the current access to the internal RAM is an indirect read or an indirect write. Writing to the Indirect Address Register initiates an access to the internal RAM. When RWB is set to logic 1, an indirect read access to the RAM is initiated. The data from the addressed location in the internal RAM will be transferred to the Indirect Data Register. When RWB is set to logic 0, an indirect write access to the RAM is initiated. The data from the Indirect Data Register will be transferred to the addressed location in the internal RAM.

BUSY

The BUSY (BUSY) bit reports the status of an indirect read/write access to the time sliced ram. BUSY is set to logic 1 upon writing to the Indirect Addressing Register. BUSY is set to logic 0, upon completion of the RAM transfer. This register should be polled to determine when new data is available in the Indirect Data Register.

Note: The Maximum busy bit set time is 22 clock receive/transmit cycles.

Register 1181H, 1581H, 1981H, and 1D81H: THPP TU3 Indirect Data

Bit	Type	Function	Default
Bit 15	R/W	DATA[15]	0
Bit 14	R/W	DATA[14]	0
Bit 13	R/W	DATA[13]	0
Bit 12	R/W	DATA[12]	0
Bit 11	R/W	DATA[11]	0
Bit 10	R/W	DATA[10]	0
Bit 9	R/W	DATA[9]	0
Bit 8	R/W	DATA[8]	0
Bit 7	R/W	DATA[7]	0
Bit 6	R/W	DATA[6]	0
Bit 5	R/W	DATA[5]	0
Bit 4	R/W	DATA[4]	0
Bit 3	R/W	DATA[3]	0
Bit 2	R/W	DATA[2]	0
Bit 1	R/W	DATA[1]	0
Bit 0	R/W	DATA[0]	0

The Indirect Data Register is provided at THPP read/write address 1181H, 1581H, 1981H, and 1D81H.

DATA[15:0]

The indirect access data (DATA[15:0]) bits hold the data transfer to or from the internal RAM during indirect access. When RWB is set to logic 1 (indirect read), the data from the addressed location in the internal RAM will be transferred to DATA[15:0]. BUSY should be polled to determine when the new data is available in DATA[15:0]. When RWB is set to logic 0 (indirect write), the data from DATA[15:0] will be transferred to the addressed location in the internal RAM. The indirect Data register must contain valid data before the indirect write is initiated by writing to the Indirect Address Register.

DATA[15:0] has a different meaning depending on which address of the internal RAM is being accessed.

Register 1182H, 1582H, 1982H, and 1D82H: THPP TU3 Payload Configuration

Bit	Type	Function	Default
Bit 15	R/W	Reserved	0
Bit 14	R/W	Reserved	0
Bit 13	R/W	Reserved	0
Bit 12	—	Unused	X
Bit 11	—	Unused	X
Bit 10	—	Unused	X
Bit 9	—	Unused	X
Bit 8	—	Unused	X
Bit 7	R/W	TUG3[4]	0
Bit 6	R/W	TUG3[3]	0
Bit 5	R/W	TUG3[2]	0
Bit 4	R/W	TUG3[1]	0
Bit 3	R/W	Reserved	0
Bit 2	R/W	Reserved	0
Bit 1	R/W	Reserved	0
Bit 0	R/W	Reserved	0

The Payload Configuration Register is provided at THPP read/write address 1182H, 1582H, 1982H, and 1D82H.

Reserved

The reserved bits must be programmed to their default values for proper operation.

TUG3[1]

The TUG3 payload configuration (TUG3[1]) bit selects the payload configuration. When TUG3[1] is set to logic 1, the STS-1/STM-0 paths #1, #5 and #9 are part of a TUG3 payload. When TUG3[1] is set to logic 0, the paths are not part of a TUG3 payloads.

TUG3[2]

The TUG3 payload configuration (TUG3[2]) bit selects the payload configuration. When TUG3[2] is set to logic 1, the STS-1/STM-0 paths #2, #6 and #10 are part of a TUG3 payload. When TUG3[2] is set to logic 0, the paths are not part of a TUG3 payloads.

TUG3[3]

The TUG3 payload configuration (TUG3[3]) bit selects the payload configuration. When TUG3[3] is set to logic 1, the STS-1/STM-0 paths #3, #7 and #11 are part of a TUG3 payload. When TUG3[3] is set to logic 0, the paths are not part of a TUG3 payloads.

TUG3[4]

The TUG3 payload configuration (TUG3[4]) bit selects the payload configuration. When TUG3[4] is set to logic 1, the STS-1/STM-0 paths #4, #8 and #12 are part of a TUG3 payload. When TUG3[4] is set to logic 0, the paths are not part of a TUG3 payloads.

Downloaded by Content Team of Partminer Inc on Thursday, 27 April, 2006 09:55:13 AM

Indirect Register 00H: THPP TU3 Control

Bit	Type	Function	Default
Bit 15	—	Unused	X
Bit 14	—	Unused	X
Bit 13	—	Unused	X
Bit 12	—	Unused	X
Bit 11	—	Unused	X
Bit 10	—	Unused	X
Bit 9	—	Unused	X
Bit 8	—	Unused	X
Bit 7	R/W	Reserved	0
Bit 6	R/W	Reserved	0
Bit 5	R/W	TDIS	0
Bit 4	—	Unused	X
Bit 3	R/W	FSBEN	0
Bit 2	R/W	PREIEBLK	0
Bit 1	R/W	EXCFS	0
Bit 0	—	Unused	X

The THPP Control Indirect Register is provided at THPP read/write indirect address 00H.

EXCFS

When EXCFS is logic 1, the fixed stuff columns in the STS-1 (VC-3) format are excluded from BIP-8 calculations. When EXCFS is logic 0, the fixed stuff columns in the STS-1 (VC-3) format are included in the BIP calculations.

PREIEBLK

When PREIEBLK is logic 1, the REI-P value source from the RHPP represents BIP-8 block errors, i.e. the REI-P value allowed in G1 is either 0 or 1. When PREIEBLK is logic 0, the REI-P value source from the RHPP represents BIP-8 errors, i.e. the REI-P value allowed in G1 is from 0 to 8.

FSBEN

When FSBEN is logic 1, the THPP overwrites the fixed stuff bytes with the register value FSB[7:0]. When FSBEN is logic 0, the fixed stuff bytes are not over written.

TDIS

When TDIS is logic 1, the path overhead bytes are passed through the THPP transparently from the ADD TelecomBus without being overwritten by the THPP. When TDIS is logic 0, the THPP can insert path overhead bytes.

Reserved

The reserved bits must be programmed to their default values for proper operation.

Downloaded by Content Team of Partminer Inc on Thursday, 27 April, 2006 09:55:05 PM

Indirect Register 01H: THPP TU3 Source and Pointer Control

Bit	Type	Function	Default
Bit 15	R/W	UNEQV	0
Bit 14	R/W	UNEQ	0
Bit 13	R/W	H4MASK	0
Bit 12	R/W	B3MASK	0
Bit 11	R/W	ENG1REC	1
Bit 10	R/W	H4REGMASK	0
Bit 9	R/W	PTBJ1	0
Bit 8	R/W	SRCZ5	0
Bit 7	R/W	SRCZ4	0
Bit 6	R/W	SRCZ3	0
Bit 5	R/W	SRCF2	0
Bit 4	R/W	SRCG1	0
Bit 3	R/W	SRCH4	0
Bit 2	R/W	SRCC2	0
Bit 1	R/W	SRCJ1	0
Bit 0	R/W	IBER	0

The THPP Control Indirect Register is provided at THPP read/write indirect address 01H.

IBER

When the IBER is logic 1, the G1 byte is passed through the THPP transparently from the ADD Telecom Bus. When IBER is logic 0, the G1 byte can be modified by the THPP. SRCJ1, SRCC2, SRCH4, SRCG1, SRCF2, SRCZ3, SRCZ4, SRCZ5

The SRCxx bits are used to determine the source of the path overhead bytes. When a logic 1 is written to SRCJ1, the J1 byte inserted in the transmit data stream is source from the internal J1 register. When a logic 0 is written to SRCJ1, the J1 byte inserted in the transmit data stream is not source from internal register.

PTBJ1

When PTBJ1 is logic 1, the J1 byte is source from the TTTP. When PTBJ1 is logic 0, the J1 byte is not source from the TTTP.

H4REGMASK

When H4REGMASK is logic 1, the H4[7:0] byte in the H4 register is used as an error mask on the H4 byte. When H4REGMASK is logic 0, the H4[7:0] byte in the H4 register is inserted in the transmit data stream.

ENG1REC

When ENG1REC is logic 1, the ERDI-P and REI-P from the RHPP are inserted into the G1 path overhead byte. When ENG1REC is logic 0, the ERDI-P and REI-P from the RHPP are not inserted.

B3MASK

When B3MASK is logic 1, the B3 byte received on the TPOH (valid only if TPOHEN is logic 1) port is used as a mask for the B3 byte. When B3MASK is logic 0, the B3 byte received on the TPOH (valid only if TPOHEN is logic 1) port is inserted in the transmit data stream.

H4MASK

When H4MASK is logic 1, the H4 byte received on the TPOH (valid only if TPOHEN is logic 1) port is used as a mask for the H4 byte. When H4MASK is logic 0, the H4 byte received on the TPOH (valid only if TPOHEN is logic 1) port is inserted in the transmit data stream.

UNEQ

The unequipped bit (UNEQ) controls the insertion of an all one or an all zero pattern in the path overhead and in the payload, the fixed stuff bytes are excluded from insertion. When UNEQ is set to logic 1, an all one or an all zero pattern is inserted in the path overhead and in the payload. When UNEQ is set logic 0, no pattern is inserted.

UNEQV

The unequipped value (UNEQV) bit controls the value inserted in the path overhead and in the payload. When UNEQV is set to logic 1, an all one pattern is inserted in the path overhead and in the payload if enable via the UNEQ register bit. When UNEQV is set to logic 0, an all zero pattern is inserted in the path overhead and in the payload if enable via the UNEQ register bit.

Indirect Register 04H: THPP TU3 Fixed Stuff and B3 Mask

Bit	Type	Function	Default
Bit 15	R/W	B3MASK[7]	0
Bit 14	R/W	B3MASK[6]	0
Bit 13	R/W	B3MASK[5]	0
Bit 12	R/W	B3MASK[4]	0
Bit 11	R/W	B3MASK[3]	0
Bit 10	R/W	B3MASK[2]	0
Bit 9	R/W	B3MASK[1]	0
Bit 8	R/W	B3MASK[0]	0
Bit 7	R/W	FSB[7]	0
Bit 6	R/W	FSB[6]	0
Bit 5	R/W	FSB[5]	0
Bit 4	R/W	FSB[4]	0
Bit 3	R/W	FSB[3]	0
Bit 2	R/W	FSB[2]	0
Bit 1	R/W	FSB[1]	0
Bit 0	R/W	FSB[0]	0

FSB[7:0]

When FSBEN is logic 1, the THPP replaces the fixed stuff bytes with the byte from this register.

B3MASK[7:0]

The calculated B3 byte to be inserted in the path overhead is XORed with this register byte to allow the user to insert errors in B3.

Indirect Register 05H: THPP TU3 J1 and C2

Bit	Type	Function	Default
Bit 15	R/W	C2[7]	0
Bit 14	R/W	C2[6]	0
Bit 13	R/W	C2[5]	0
Bit 12	R/W	C2[4]	0
Bit 11	R/W	C2[3]	0
Bit 10	R/W	C2[2]	0
Bit 9	R/W	C2[1]	0
Bit 8	R/W	C2[0]	0
Bit 7	R/W	J1[7]	0
Bit 6	R/W	J1[6]	0
Bit 5	R/W	J1[5]	0
Bit 4	R/W	J1[4]	0
Bit 3	R/W	J1[3]	0
Bit 2	R/W	J1[2]	0
Bit 1	R/W	J1[1]	0
Bit 0	R/W	J1[0]	0

J1[7:0]

When SRCJ1 is logic 1, this byte is inserted in the J1 path overhead byte position.

C2[7:0]

When SRCC2 is logic 1, this byte is inserted in the C2 path overhead byte position.

Indirect Register 06H: THPP TU3 G1 and H4 mask

Bit	Type	Function	Default
Bit 15	R/W	H4[7]	0
Bit 14	R/W	H4[6]	0
Bit 13	R/W	H4[5]	0
Bit 12	R/W	H4[4]	0
Bit 11	R/W	H4[3]	0
Bit 10	R/W	H4[2]	0
Bit 9	R/W	H4[1]	0
Bit 8	R/W	H4[0]	0
Bit 7	R/W	G1[7]	0
Bit 6	R/W	G1[6]	0
Bit 5	R/W	G1[5]	0
Bit 4	R/W	G1[4]	0
Bit 3	R/W	G1[3]	0
Bit 2	R/W	G1[2]	0
Bit 1	R/W	G1[1]	0
Bit 0	R/W	G1[0]	0

G1[7:0]

When SRCG1 is logic 1, this byte is inserted in the G1 path overhead byte position.

H4[7:0]

The logical value of the H4REGMASK register bit determines if this byte is to be inserted in the H4 path overhead byte position or is to be used as an error mask.

Indirect Register 07H: THPP TU3 F2 and Z3

Bit	Type	Function	Default
Bit 15	R/W	F2[7]	0
Bit 14	R/W	F2[6]	0
Bit 13	R/W	F2[5]	0
Bit 12	R/W	F2[4]	0
Bit 11	R/W	F2[3]	0
Bit 10	R/W	F2[2]	0
Bit 9	R/W	F2[1]	0
Bit 8	R/W	F2[0]	0
Bit 7	R/W	Z3[7]	0
Bit 6	R/W	Z3[6]	0
Bit 5	R/W	Z3[5]	0
Bit 4	R/W	Z3[4]	0
Bit 3	R/W	Z3[3]	0
Bit 2	R/W	Z3[2]	0
Bit 1	R/W	Z3[1]	0
Bit 0	R/W	Z3[0]	0

F2[7:0]

When SRCF2 is logic 1, this byte is inserted in the F2 path overhead byte position.

Z3[7:0]

When SRCZ3 is logic 1, this byte is inserted in the Z3 path overhead byte position.

Indirect Register 08H: THPP TU3 Z4 and Z5

Bit	Type	Function	Default
Bit 15	R/W	Z4[7]	0
Bit 14	R/W	Z4[6]	0
Bit 13	R/W	Z4[5]	0
Bit 12	R/W	Z4[4]	0
Bit 11	R/W	Z4[3]	0
Bit 10	R/W	Z4[2]	0
Bit 9	R/W	Z4[1]	0
Bit 8	R/W	Z4[0]	0
Bit 7	R/W	Z5[7]	0
Bit 6	R/W	Z5[6]	0
Bit 5	R/W	Z5[5]	0
Bit 4	R/W	Z5[4]	0
Bit 3	R/W	Z5[3]	0
Bit 2	R/W	Z5[2]	0
Bit 1	R/W	Z5[1]	0
Bit 0	R/W	Z5[0]	0

Z4[7:0]

When SRCZ4 is logic 1, this byte is inserted in the Z4 path overhead byte position.

Z5[7:0]

When SRCZ5 is logic 1, this byte is inserted in the Z5 path overhead byte position.

Register 1200H, 1600H, 1A00H, and 1E00H: TSVCA Indirect Address

Bit	Type	Function	Default
Bit 15	R	BUSY	X
Bit 14	R/W	RWB	0
Bit 13	—	Unused	X
Bit 12	—	Unused	X
Bit 11	—	Unused	X
Bit 10	—	Unused	X
Bit 9	—	Unused	X
Bit 8	—	Unused	X
Bit 7	R/W	IADDR[1]	0
Bit 6	R/W	IADDR[0]	0
Bit 5	—	Unused	X
Bit 4	—	Unused	X
Bit 3	R/W	PATH[3]	0
Bit 2	R/W	PATH[2]	0
Bit 1	R/W	PATH[1]	0
Bit 0	R/W	PATH[0]	0

The Indirect Address Register is provided at TSVCA read/write address 1200H, 1600H, 1A00H, and 1E00H.

PATH[3:0]

The STS-1/STM-0 path (PATH[3:0]) bits select which STS-1/STM-0 path is accessed by the current indirect transfer. Some indirect registers are valid only when the PATH[3:0] have certain values.

PATH[3:0]	STS-1/STM-0 path #
0000	Invalid path
0001-1100	Path #1 to Path #12
1101-1111	Invalid path

IADDR[1:0]

The indirect address location (IADDR[1:0]) bits select which address location is accessed by the current indirect transfer.

IADDR[1:0]	Indirect Register
00	TSVCA Outgoing Positive Justification Performance Monitor
01	TSVCA Outgoing Negative Justification Performance Monitor
10	TSVCA Diagnostic/Configuration Register
11	AU-4 pointer

RWB

The active high read and active low write (RWB) bit selects if the current access to the internal RAM is an indirect read or an indirect write. Writing to the Indirect Address Register initiates an access to the internal RAM. When RWB is set to logic 1, an indirect read access to the RAM is initiated. The data from the addressed location in the internal RAM will be transferred to the Indirect Data Register. When RWB is set to logic 0, an indirect write access to the RAM is initiated. The data from the Indirect Data Register will be transferred to the addressed location in the internal RAM.

BUSY

The active high RAM busy (BUSY) bit reports if a previously initiated indirect access to the internal RAM has been completed. BUSY is set to logic 1 upon writing to the Indirect Address Register. BUSY is set to logic 0, upon completion of the RAM access. This register should be polled to determine when new data is available in the Indirect Data Register.

Note: The maximum busy bit set time is 22 clock receive/transmit cycles.

Register 1201H, 1601H, 1A01H, and 1E01H: TSVCA Indirect Data

Bit	Type	Function	Default
Bit 15	R/W	DATA[15]	0
Bit 14	R/W	DATA[14]	0
Bit 13	R/W	DATA[13]	0
Bit 12	R/W	DATA[12]	0
Bit 11	R/W	DATA[11]	0
Bit 10	R/W	DATA[10]	0
Bit 9	R/W	DATA[9]	0
Bit 8	R/W	DATA[8]	0
Bit 7	R/W	DATA[7]	0
Bit 6	R/W	DATA[6]	0
Bit 5	R/W	DATA[5]	0
Bit 4	R/W	DATA[4]	0
Bit 3	R/W	DATA[3]	0
Bit 2	R/W	DATA[2]	0
Bit 1	R/W	DATA[1]	0
Bit 0	R/W	DATA[0]	0

The Indirect Data Register is provided at TSVCA read/write address 1201H, 1601H, 1A01H, and 1E01H.

DATA[15:0]

The indirect access data (DATA[15:0]) bits hold the data transfer to or from the internal RAM during indirect access. When RWB is set to logic 1 (indirect read), the data from the addressed location in the internal RAM will be transferred to DATA[15:0]. BUSY should be polled to determine when the new data is available in DATA[15:0]. When RWB is set to logic 0 (indirect write), the data from DATA[15:0] will be transferred to the addressed location in the internal RAM. The indirect Data register must contain valid data before the indirect write is initiated by writing to the Indirect Address Register.

DATA[15:0] has a different meaning depending on which address of the internal RAM is being accessed.

Register 1202H, 1602H, 1A02H, and 1E02H: TSVCA Payload Configuration

Bit	Type	Function	Default
Bit 15	R/W	STS12CSL	0
Bit 14	R/W	STS12C	0
Bit 13	—	Unused	X
Bit 12	—	Unused	X
Bit 11	—	Unused	X
Bit 10	—	Unused	X
Bit 9	—	Unused	X
Bit 8	—	Unused	X
Bit 7	R/W	TUG3[4]	0
Bit 6	R/W	TUG3[3]	0
Bit 5	R/W	TUG3[2]	0
Bit 4	R/W	TUG3[1]	0
Bit 3	R/W	STS3C[4]	0
Bit 2	R/W	STS3C[3]	0
Bit 1	R/W	STS3C[2]	0
Bit 0	R/W	STS3C[1]	0

The Payload Configuration Register is provided at TSVCA read/write address 1202H, 1602H, 1A02H, and 1E02H. Note: Reference the Operations section when configuring SONET/SDH payload from a concatenated stream to a channelized stream .

STS3C[1]

The STS-3c (VC-4) payload configuration (STS3C[1]) bit selects the payload configuration. When STS3C[1] is set to logic 1, the STS-1/STM-0 paths #1, #5 and #9 are part of an STS-3c (VC-4) payload. When STS3C[1] is set to logic 0, the paths are STS-1 (VC-3) payloads. When STS12C is set to logic 1, STS3C[1] must be set to logic 0. When TUG3[1] is set to logic1, STS3C[1] must be set to logic0.

STS3C[2]

The STS-3c (VC-4) payload configuration (STS3C[2]) bit selects the payload configuration. When STS3C[2] is set to logic 1, the STS-1/STM-0 paths #2, #6 and #10 are part of an STS-3c (VC-4) payload. When STS3C[2] is set to logic 0, the paths are STS-1 (VC-3) payloads. When STS12C is set to logic 1, STS3C[2] must be set to logic 0. When TUG3[2] is set to logic1, STS3C[2] must be set to logic0.

STS3C[3]

The STS-3c (VC-4) payload configuration (STS3C[3]) bit selects the payload configuration. When STS3C[3] is set to logic 1, the STS-1/STM-0 paths #3, #7 and #11 are part of an STS-3c (VC-4) payload. When STS3C[3] is set to logic 0, the paths are STS-1 (VC-3) payloads. When STS12C is set to logic 1, STS3C[3] must be set to logic 0. When TUG3[2] is set to logic1, STS3C[2] must be set to logic0.

STS3C[4]

The STS-3c (VC-4) payload configuration (STS3C[4]) bit selects the payload configuration. When STS3C[4] is set to logic 1, the STS-1/STM-0 paths #4, #8 and #12 are part of an STS-3c (VC-4) payload. When STS3C[4] is set to logic 0, the paths are STS-1 (VC-3) payloads. When STS12C is set to logic 1, STS3C[4] must be set to logic 0. When TUG3[4] is set to logic1, STS3C[4] must be set to logic0.

TUG3[1]

The TUG3 payload configuration (TUG3[1]) bit selects the payload configuration. When TUG3[1] is set to logic 1, the STS-1/STM-0 paths #1, #5 and #9 are part of a TUG3 payload. When TUG3[1] is set to logic 0, the paths are not part of a TUG3 payload. When STS12C is set to logic 1, TUG3[1] must be set to logic 0. When STS3C[1] is set to logic1, TUG3[1] must be set to logic0.

TUG3[2]

The TUG3 payload configuration (TUG3[2]) bit selects the payload configuration. When TUG3[2] is set to logic 1, the STS-1/STM-0 paths #2, #6 and #10 are part of a TUG3 payload. When TUG3[2] is set to logic 0, the paths are not part of a TUG3 payload. When STS12C is set to logic 1, TUG3[2] must be set to logic 0. When STS3C[2] is set to logic1, TUG3[2] must be set to logic0.

TUG3[3]

The TUG3 payload configuration (TUG3[3]) bit selects the payload configuration. When TUG3[3] is set to logic 1, the STS-1/STM-0 paths #3, #7 and #11 are part of a TUG3 payload. When TUG3[3] is set to logic 0, the paths are not part of a TUG3 payload. When STS12C is set to logic 1, TUG3[3] must be set to logic 0. When STS3C[3] is set to logic1, TUG3[3] must be set to logic0.

TUG3[4]

The TUG3 payload configuration (TUG3[4]) bit selects the payload configuration. When TUG3[4] is set to logic 1, the STS-1/STM-0 paths #4, #8 and #12 are part of a TUG3 payload. When TUG3[4] is set to logic 0, the paths are not part of a TUG3 payload. When STS12C is set to logic 1, TUG3[4] must be set to logic 0. When STS3C[4] is set to logic1, TUG3[4] must be set to logic0.

STS12C

The STS-12c (VC-4-4c) payload configuration (STS12C) bit selects the payload configuration. When STS12C is set to logic 1, the STS-1/STM-0 paths #1 to #12 are part of an STS-12c (VC-4-4c) payload. When STS12C is set to logic 0, the STS-1/STM-0 paths are defined with the STS3C[1:4] register bit.

STS12CSL

The slave STS-12c (VC-4-4c) payload configuration (STS12CSL) bit selects the slave payload configuration. When STS12CSL is set to logic 1, the STS-1/STM-0 paths #1 to #12 are part of a STS-12c (VC-4-4c) slave payload. When STS12CSL is set to logic 0, the STS-1/STM-0 paths #1 to #12 are part of an STS-12c (VC-4-4c) master payload. When STS12C is set to logic 0, STS12CSL must be set to logic 0.

Register 1203H, 1603H, 1A03H, and 1E03H: TSVCA Positive Pointer Justification Interrupt Status

Bit	Type	Function	Default
Bit 15	—	Unused	X
Bit 14	—	Unused	X
Bit 13	—	Unused	X
Bit 12	—	Unused	X
Bit 11	R	PPJI[12]	0
Bit 10	R	PPJI[11]	0
Bit 9	R	PPJI[10]	0
Bit 8	R	PPJI[9]	0
Bit 7	R	PPJI[8]	0
Bit 6	R	PPJI[7]	0
Bit 5	R	PPJI[6]	0
Bit 4	R	PPJI[5]	0
Bit 3	R	PPJI[4]	0
Bit 2	R	PPJI[3]	0
Bit 1	R	PPJI[2]	0
Bit 0	R	PPJI[1]	0

The Positive Pointer Justification Interrupt Status Register is provided at TSVCA read/write address 1203H, 1603H, 1A03H, and 1E03H.

PPJI[12:1]

The positive pointer justification interrupt status (PPJI[12:1]) bits are event indicators for STS-1/STM-0 paths #1 to #12. PPJI[12:1] are set to logic 1 to indicate a positive pointer justification event in the outgoing data stream. These interrupt status bits are independent of the interrupt enable bits. PPJI[12:1] are cleared to logic 0 when this register is read.

Register 1204H, 1604H, 1A04H, and 1E04H: TSVCA Negative Pointer Justification Interrupt Status

Bit	Type	Function	Default
Bit 15	—	Unused	X
Bit 14	—	Unused	X
Bit 13	—	Unused	X
Bit 12	—	Unused	X
Bit 11	R	NPJI[12]	0
Bit 10	R	NPJI[11]	0
Bit 9	R	NPJI[10]	0
Bit 8	R	NPJI[9]	0
Bit 7	R	NPJI[8]	0
Bit 6	R	NPJI[7]	0
Bit 5	R	NPJI[6]	0
Bit 4	R	NPJI[5]	0
Bit 3	R	NPJI[4]	0
Bit 2	R	NPJI[3]	0
Bit 1	R	NPJI[2]	0
Bit 0	R	NPJI[1]	0

The Negative Pointer Justification Interrupt Status Register is provided at TSVCA read/write address 1204H, 1604H, 1A04H, and 1E04H.

NPJI[12:1]

The negative pointer justification interrupt status (NPJI[12:1]) bits are event indicators for STS-1/STM-0 paths #1 to #12. NPJI[12:1] are set to logic 1 to indicate a negative pointer justification event in the outgoing data stream. These interrupt status bits are independent of the interrupt enable bits. NPJI[12:1] are cleared to logic 0 when this register is read.

Register 1205H, 1605H, 1A05H, and 1E05H: TSVCA FIFO Overflow Interrupt Status

Bit	Type	Function	Default
Bit 15	—	Unused	X
Bit 14	—	Unused	X
Bit 13	—	Unused	X
Bit 12	—	Unused	X
Bit 11	R	FOVRI[12]	0
Bit 10	R	FOVRI[11]	0
Bit 9	R	FOVRI[10]	0
Bit 8	R	FOVRI[9]	0
Bit 7	R	FOVRI[8]	0
Bit 6	R	FOVRI[7]	0
Bit 5	R	FOVRI[6]	0
Bit 4	R	FOVRI[5]	0
Bit 3	R	FOVRI[4]	0
Bit 2	R	FOVRI[3]	0
Bit 1	R	FOVRI[2]	0
Bit 0	R	FOVRI[1]	0

The FIFO overflow Event Interrupt Status Register is provided at TSVCA read/write address 1205H, 1605H, 1A05H, and 1E05H.

FOVRI[12:1]

The FIFO overflow event interrupt status (FOVRI[12:1]) bits are event indicators for STS-1/STM-0 paths #1 to #12. FOVRI[12:1] are set to logic 1 to indicate a FIFO overflow event. These interrupt status bits are independent of the interrupt enable bits. FOVRI[12:1] are cleared to logic 0 when this register is read.

Register 1206H, 1606H, 1A06H, and 1E06H: TSVCA FIFO Underflow Interrupt Status

Bit	Type	Function	Default
Bit 15	—	Unused	X
Bit 14	—	Unused	X
Bit 13	—	Unused	X
Bit 12	—	Unused	X
Bit 11	R	FUDRI[12]	0
Bit 10	R	FUDRI[11]	0
Bit 9	R	FUDRI[10]	0
Bit 8	R	FUDRI[9]	0
Bit 7	R	FUDRI[8]	0
Bit 6	R	FUDRI[7]	0
Bit 5	R	FUDRI[6]	0
Bit 4	R	FUDRI[5]	0
Bit 3	R	FUDRI[4]	0
Bit 2	R	FUDRI[3]	0
Bit 1	R	FUDRI[2]	0
Bit 0	R	FUDRI[1]	0

The FIFO underflow Event Interrupt Status Register is provided at TSVCA read/write address 1206H, 1606H, 1A06H, and 1E06H.

FUDRI[12:1]

The FIFO underflow event interrupt status (FUDRI[12:1]) bits are event indicators for STS-1/STM-0 paths #1 to #12. FUDRI[12:1] are set to logic 1 to indicate a FIFO underflow event. These interrupt status bits are independent of the interrupt enable bits. FUDRI[12:1] are cleared to logic 0 when this register is read.

Register 1207H, 1607H, 1A07H, and 1E07H: TSVCA Pointer Justification Interrupt Enable

Bit	Type	Function	Default
Bit 15	—	Unused	X
Bit 14	—	Unused	X
Bit 13	—	Unused	X
Bit 12	—	Unused	X
Bit 11	R/W	PJIE[12]	0
Bit 10	R/W	PJIE[11]	0
Bit 9	R/W	PJIE[10]	0
Bit 8	R/W	PJIE[9]	0
Bit 7	R/W	PJIE[8]	0
Bit 6	R/W	PJIE[7]	0
Bit 5	R/W	PJIE[6]	0
Bit 4	R/W	PJIE[5]	0
Bit 3	R/W	PJIE[4]	0
Bit 2	R/W	PJIE[3]	0
Bit 1	R/W	PJIE[2]	0
Bit 0	R/W	PJIE[1]	0

The Pointer Justification Interrupt Enable Register is provided at TSVCA direct read/write address 1207H, 1607H, 1A07H, and 1E07H.

PJIEN[12:1]

The pointer justification event interrupt enable (PJIE[12:1]) bits controls the activation of the interrupt output for STS-1/STM-0 paths #1 to #12. When any of these bit locations is set to logic 1, the corresponding pending interrupt will assert the interrupt output. When any of these bit locations is set to logic 0, the corresponding pending interrupt will not assert the interrupt output.

Register 1208H, 1608H, 1A08H, and 1E08H TSVCA FIFO Interrupt Enable

Bit	Type	Function	Default
Bit 15	—	Unused	X
Bit 14	—	Unused	X
Bit 13	—	Unused	X
Bit 12	—	Unused	X
Bit 11	R/W	FIE[12]	0
Bit 10	R/W	FIE[11]	0
Bit 9	R/W	FIE[10]	0
Bit 8	R/W	FIE[9]	0
Bit 7	R/W	FIE[8]	0
Bit 6	R/W	FIE[7]	0
Bit 5	R/W	FIE[6]	0
Bit 4	R/W	FIE[5]	0
Bit 3	R/W	FIE[4]	0
Bit 2	R/W	FIE[3]	0
Bit 1	R/W	FIE[2]	0
Bit 0	R/W	FIE[1]	0

The FIFO Event Interrupt Enable Register is provided at TSVCA read/write address 1208H, 1608H, 1A08H, and 1E08H.

FIEN[12:1]

The FIFO event interrupt enable (FIE[12:1]) bits controls the activation of the interrupt output for STS-1/STM-0 paths #1 to #12 caused by a FIFO overflow of a FIFO underflow. When any of these bit locations is set to logic 1, the corresponding pending interrupt will assert the interrupt output. When any of these bit locations is set to logic 0, the corresponding pending interrupt will not assert the interrupt output.

Register 120AH, 160AH, 1A0AH, and 1E0AH: TSVCA Misc.

Bit	Type	Function	Default
Bit 15	R/W	ESDIS	0
Bit 14	—	Unused	X
Bit 13	—	Unused	X
Bit 12	—	Unused	X
Bit 11	R/W	CLRFS[12]	0
Bit 10	R/W	CLRFS[11]	0
Bit 9	R/W	CLRFS[10]	0
Bit 8	R/W	CLRFS[9]	0
Bit 7	R/W	CLRFS[8]	0
Bit 6	R/W	CLRFS[7]	0
Bit 5	R/W	CLRFS[6]	0
Bit 4	R/W	CLRFS[5]	0
Bit 3	R/W	CLRFS[4]	0
Bit 2	R/W	CLRFS[3]	0
Bit 1	R/W	CLRFS[2]	0
Bit 0	R/W	CLRFS[1]	0

The FIFO Fixed Stuff register provides miscellaneous control bits. It is provided at read/write address 120AH, 160AH, 1A0AH, and 1E0AH.

CLRFS[12:1]

The Clear Fixed Stuff (CLRFS(12:1)) bits enable the regeneration of fixed stuff columns (#30, #59) of an STS-1/VC-3. When set to logic 1, STS-1/VC-3 incoming fixed stuff columns (#30, #59) are discarded and regenerated (set to 00h) on the outgoing stream. When set to logic 0, these fixed stuff columns are relayed through the TSVCA.

ESDIS

When set high, forces the TSVCA to bypass the internal FIFO. The input data is not buffered inside the FIFO and is not re-aligned to a new transport frame but simply clocked out on the next rising edge.

Register 120BH, 160BH, 1A0BH, and 1E0BH: TSVCA Counter Update

Bit	Type	Function	Default
Bit 15	—	Unused	X
Bit 14	—	Unused	X
Bit 13	—	Unused	X
Bit 12	—	Unused	X
Bit 11	—	Unused	X
Bit 10	—	Unused	X
Bit 9	—	Unused	X
Bit 8	—	Unused	X
Bit 7	—	Unused	X
Bit 6	—	Unused	X
Bit 5	—	Unused	X
Bit 4	—	Unused	X
Bit 3	—	Unused	X
Bit 2	—	Unused	X
Bit 1	—	Unused	X
Bit 0	—	Unused	X

The Performance monitor transfer register is provided at read/write address 0x0BH. Any write to this register or to the Master Configuration Register (0000H) triggers a transfer of all performance monitor counters to holding registers that can be read by the ECBI interface.

Indirect Register 00H: TSVCA Positive Justifications Performance Monitor

Bit	Type	Function	Default
Bit 15	—	Unused	X
Bit 14	—	Unused	X
Bit 13	—	Unused	X
Bit 12	R	PJPMON[12]	0
Bit 11	R	PJPMON[11]	0
Bit 10	R	PJPMON[10]	0
Bit 9	R	PJPMON[9]	0
Bit 8	R	PJPMON[8]	0
Bit 7	R	PJPMON[7]	0
Bit 6	R	PJPMON[6]	0
Bit 5	R	PJPMON[5]	0
Bit 4	R	PJPMON[4]	0
Bit 3	R	PJPMON[3]	0
Bit 2	R	PJPMON[2]	0
Bit 1	R	PJPMON[1]	0
Bit 0	R	PJPMON[0]	0

The Outgoing Positive justifications performance monitor is provided at TSVCA indirect read/write address 00H.

PJPMON[12:0]

This register reports the number of positive pointer justification events that occurred on the outgoing side in the previous accumulation interval. The content of this register becomes valid a maximum of 155ns (12 clock cycles) after a transfer is triggered by writing the SVCA performance monitor trigger direct register or a write to the SPECTRA 1x2488 master configuration register. The value of PJPMON is only valid for master slices. If PJPMON[12:0] is read for a slave slice, the master path's value will be returned.

Indirect Register 01H: TSVCA Negative Justifications Performance Monitor

Bit	Type	Function	Default
Bit 15	—	Unused	X
Bit 14	—	Unused	X
Bit 13	—	Unused	X
Bit 12	R	NJPMON[12]	0
Bit 11	R	NJPMON[11]	0
Bit 10	R	NJPMON[10]	0
Bit 9	R	NJPMON[9]	0
Bit 8	R	NJPMON[8]	0
Bit 7	R	NJPMON[7]	0
Bit 6	R	NJPMON[6]	0
Bit 5	R	NJPMON[5]	0
Bit 4	R	NJPMON[4]	0
Bit 3	R	NJPMON[3]	0
Bit 2	R	NJPMON[2]	0
Bit 1	R	NJPMON[1]	0
Bit 0	R	NJPMON[0]	0

The outgoing Negative justifications performance monitor is provided at TSVCA indirect read/write address 01H.

NJPMON[12:0]

This register reports the number of negative pointer justification events that occurred on the outgoing side in the previous accumulation interval. The content of this register becomes valid a maximum of 155ns (12 clock cycles) after a transfer is triggered by writing the SVCA performance monitor trigger direct register or a write to the SPECTRA 1x2488 master configuration register. The value of NJPMON is only valid for master slices. If NJPMON[12:0] is read for a slave slice, the master path's value will be returned.

Indirect Register 02H: TSVCA Diagnostic/Configuration

Bit	Type	Function	Default
Bit 15	R/W	PTRRST	0
Bit 14	R/W	PTRSS[1]	0
Bit 13	R/W	PTRSS[0]	0
Bit 12	R/W	JUS3DIS	0
Bit 11	R/W	PTRDD[1]	0
Bit 10	R/W	PTRDD[0]	0
Bit 9	—	Unused	X
Bit 8	—	Unused	X
Bit 7	—	Unused	X
Bit 6	—	Unused	X
Bit 5	R/W	Diag_NDFREQ	0
Bit 4	R/W	Reserved	0
Bit 3	R/W	Diag_PAIS	0
Bit 2	R/W	Reserved	0
Bit 1	R/W	Reserved	0
Bit 0	R/W	Reserved	0

The TSVCA Diagnostic Register is provided at TSVCA read/write address 02H. These bits should be set to their default values during normal operation of the TSVCA. When configured for concatenated payloads, the value written to the master timeslot is automatically propagated to all the slave timeslots.

Reserved

The reserved bits must be programmed to their default values for proper operation.

Diag_PAIS

When set high, the Diag_PAIS bit forces the TSVCA to insert path AIS in the selected outgoing stream for at least three consecutive frames. AIS is inserted by writing an all ones pattern in the transport overhead bytes H1, H2, and H3, as well as in the entire STS synchronous payload envelope. The first frame after PAIS negates will contain a new data flag in the transport overhead H1 byte.

Diag_NDFREQ

When set high, Diag_NDFREQ bit forces the TSVCA to insert a NEW DATA FLAG indication in the frame regardless of the state of the pointer generation state machine.

PTRDD[1:0]

The PTRDD[1:0] defines the STS-N/AU-N concatenation pointer bits DD. The ITU requirement for DD is unspecified when processing AU-4, AU-3 or TU-3. On the other side, Bellcore does not specify these two bits.

JUST3DIS

When set high, JUST3DIS allows the TSVCA to perform 1 justification per frame when necessary. When set to zero, pointer justifications are allowed only every 4 frames.

PTRSS[1:0]

The PTRSS[1:0] defines the STS-N/AU-N pointer bits SS. ITU requires that SS be set to 10 when processing AU-4, AU-3 or TU-3. On the other side, Bellcore does not specify these two bits. The SS bits are set to 00 when processing a slave STS-1.

PTR_RST

When set high, Incoming and outgoing pointers are reset to their default values. This bit is level sensitive.

Indirect Register 03H: TSVCA AU-4 pointer

Bit	Type	Function	Default
Bit 15	—	Unused	X
Bit 14	—	Unused	X
Bit 13	—	Unused	X
Bit 12	—	Unused	X
Bit 11	—	Unused	X
Bit 10	—	Unused	X
Bit 9	R/W	AU4PTR[9]	0
Bit 8	R/W	AU4PTR[8]	0
Bit 7	R/W	AU4PTR[7]	0
Bit 6	R/W	AU4PTR[6]	0
Bit 5	R/W	AU4PTR[5]	0
Bit 4	R/W	AU4PTR[4]	0
Bit 3	R/W	AU4PTR[3]	0
Bit 2	R/W	AU4PTR[2]	0
Bit 1	R/W	AU4PTR[1]	0
Bit 0	R/W	AU4PTR[0]	0

The FIFO AU4PTR is provided at TSVCA indirect read/write address 03H.

AU4PTR[9:0]

This register holds the AU-4 pointer when three TUG-3s are carried within a VC-4.

Register 1220H: ASTSI Indirect Address

Bit	Type	Function	Default
Bit 15	R	BUSY	X
Bit 14	R/W	RWB	0
Bit 13	—	Unused	X
Bit 12	—	Unused	X
Bit 11	—	Unused	X
Bit 10	R/W	PAGE	0
Bit 9	—	Unused	X
Bit 8	—	Unused	X
Bit 7	R/W	TSOUT[3]	0
Bit 6	R/W	TSOUT[2]	0
Bit 5	R/W	TSOUT[1]	0
Bit 4	R/W	TSOUT[0]	0
Bit 3	—	Unused	X
Bit 2	—	Unused	X
Bit 1	R/W	DOUTSEL[1]	0
Bit 0	R/W	DOUTSEL[0]	0

This register provides the slice number; the time-slot number and the control page select used to access the control pages. Writing to this register triggers an indirect register access. This register cannot be written to when an indirect register access is in progress.

DOUTSEL[1:0]

The Slice Output Select (DOUTSEL[1:0]) bits select the slice accessed by the current indirect transfer.

DOUTSEL[1:0]	DOUT
00	Slice #1
01	Slice #2
10	Slice #3
11	Slice #4

TSOUT[3:0]

The indirect STS-1/STM-0 output time slot (TSOUT[3:0]) bits indicate the STS-1/STM-0 output time slot accessed in the current indirect access. Time slots #1 to #12 are valid.

TSOUT[3:0]	STS-1/STM-0 time slot #
0000	Invalid time slot
0001-1100	Time slot #1 to time slot #12
1101-1111	Invalid time slot

PAGE

The page (PAGE) bit selects which control page is accessed in the current indirect transfer. Two pages are defined: page 0 and page 1.

PAGE	Control Page
0	Page 0
1	Page 1

RWB

The indirect access control bit (RWB) selects between a configure (write) or interrogate (read) access to the control pages. Writing logic 0 to RWB triggers an indirect write operation. Data to be written is taken for the ASTSI Indirect Data register. Writing logic 1 to RWB triggers an indirect read operation. The data read from the control pages is stored in the ASTSI Indirect Data register after the BUSY bit has cleared.

BUSY

The indirect access status bit (BUSY) reports the progress of an indirect access. BUSY is set to logic 1 when this register is written, triggering an access. It remains logic 1 until the access is complete at which time it is set to logic 0. This register should be polled to determine when new data is available in the Indirect Data Register or when another write access can be initiated.

Note: The maximum busy bit set time is 10 clock cycles.

Register 1221H: ASTSI Indirect Data

Bit	Type	Function	Default
Bit 15	—	Unused	X
Bit 14	—	Unused	X
Bit 13	R/W	Reserved	0
Bit 12	R/W	Reserved	0
Bit 11	R/W	Reserved	0
Bit 10	R/W	Reserved	0
Bit 9	R/W	Reserved	0
Bit 8	R/W	Reserved	0
Bit 7	R/W	TSIN[3]	0
Bit 6	R/W	TSIN[2]	0
Bit 5	R/W	TSIN[1]	0
Bit 4	R/W	TSIN[0]	0
Bit 3	R/W	Reserved	0
Bit 2	R/W	Reserved	0
Bit 1	R/W	DINSEL[1]	0
Bit 0	R/W	DINSEL[0]	0

This register contains the data read from the control pages after an indirect read operation or the data to be written to the control pages in an indirect write operation. The data to be written to the control pages must be set up in this register before triggering a write. The ASTSI Indirect Data register reflects the last value read or written until the completion of a subsequent indirect read operation. This register cannot be written to while an indirect register access is in progress.

DINSEL[1:0]

The Slice Input Select (DINSEL[1:0]) field reports the slice number read from or written to an indirect register location.

DINSEL[1:0]	Data Stream
00	Slice #1
01	Slice #2
10	Slice #3
11	Slice #4

Reserved

The reserved bits must be programmed to their default values for proper operation.

TSIN[3:0]

The STS-1/STM-0 Input Time Slot (TSIN[3:0]) field reports the time-slot number read from or written to an indirect register location.

TSIN[3:0]	STS-1/STM-0 time slot #
0000	Invalid time slot
0001-1100	Time slot #1 to time slot #12
1101-1111	Invalid time slot

Downloaded by Content Team of Partminer Inc on Thursday, 27 April, 2006 09:55:05 PM

Register 1222H: ASTSI Configuration

Bit	Type	Function	Default
Bit 15	—	Unused	X
Bit 14	—	Unused	X
Bit 13	—	Unused	X
Bit 12	—	Unused	X
Bit 11	—	Unused	X
Bit 10	—	Unused	X
Bit 9	—	Unused	X
Bit 8	—	Unused	X
Bit 7	—	Unused	X
Bit 6	—	Unused	X
Bit 5	—	Unused	X
Bit 4	—	Unused	X
Bit 3	R	ACTIVE	X
Bit 2	R/W	PSEL	0
Bit 1	R/W	J0RORDR	0
Bit 0	R/W	COAPE	0

COAPE

The change of active page interrupt enable (COAPE) bit enables/disables the change of active page interrupt output. When the COAPE bit is set to logic 1, an interrupt is generated when the active page changes from page 0 to page 1 or from page 1 to page 0. These interrupts are masked when COAPE is set to logic 0.

J0RORDR

The J0 Reorder (J0RORDR) bit enables/disables the reordering of the J0/Z0 bytes. This configuration bit only has an effect when the ASTSI is in the dynamic switching mode – if the ASTSI is in any of the static switching modes then the value of this bit is ignored. When this bit is set to logic 0 the J0/Z0 bytes are not reordered by the ASTSI. When this bit is set to logic 1, normal reordering of the J0/Z0 bytes is enabled.

PSEL

The page select (PSEL) bit is used in the selection of the current active page. This bit is logically XORed with the value of the external CMP port to determine which control page is currently active.

ACTIVE

The active page indication (ACTIVE) bit indicates which control page is currently active. When this bit is logic 0 then page 0 is controlling the dynamic mux. When this bit is logic 1 then page 1 is controlling the dynamic mux.

Downloaded by Content Team of Partminer Inc on Thursday, 27 April, 2006 09:55:03 AM

Register 1223H: ASTSI Interrupt Status

Bit	Type	Function	Default
Bit 15	—	Unused	X
Bit 14	—	Unused	X
Bit 13	—	Unused	X
Bit 12	—	Unused	X
Bit 11	—	Unused	X
Bit 10	—	Unused	X
Bit 9	—	Unused	X
Bit 8	—	Unused	X
Bit 7	—	Unused	X
Bit 6	—	Unused	X
Bit 5	—	Unused	X
Bit 4	—	Unused	X
Bit 3	—	Unused	X
Bit 2	—	Unused	X
Bit 1	—	Unused	X
Bit 0	R	COAPI	X

COAPI

The change of active page interrupt status bit (COAPI) reports the status of the change of active page interrupt. COAPI is set to logic 1 when the active control page changes from page 0 to page 1 or from page 1 to page 0. COAPI is cleared immediately following a read to this register when WCIMODE is logic 0. When WCIMODE is logic 1, COAPI is cleared immediately following a **write** (regardless of value) to this register. COAPI remains valid when the interrupt is not enabled (COAPE set to logic 0) and may be polled to detect change of active control page events.

Register 1240H, 1640H, 1A40H, and 1E40H: APRGM Indirect Address

Bit	Type	Function	Default
Bit 15	R	BUSY	X
Bit 14	R/W	RDWRB	0
Bit 13	—	Unused	X
Bit 12	—	Unused	X
Bit 11	—	Unused	X
Bit 10	—	Unused	X
Bit 9	R/W	IADDR[3]	0
Bit 8	R/W	IADDR[2]	0
Bit 7	R/W	IADDR[1]	0
Bit 6	R/W	IADDR[0]	0
Bit 5	—	Unused	X
Bit 4	—	Unused	X
Bit 3	R/W	PATH[3]	0
Bit 2	R/W	PATH[2]	0
Bit 1	R/W	PATH[1]	0
Bit 0	R/W	PATH[0]	0

The APRGM Indirect Address Register is provided at APRGM read/write address 00h when TRSB is high and BSB is low.

PATH[3:0]

The PATH[3:0] bits select which time-multiplexed division is accessed by the current indirect transfer.

PATH[3:0]	Time Division #
0000	Invalid path
0001-1100	path #1 to path #12
1101-1111	Invalid path

IADDR[3:0]

The indirect address select which indirect register is access by the current indirect transfer. Six indirect registers are defined for the monitor (IADDR[3] is logic 0) : the configuration, the PRBS[22:7], the PRBS[6:0], the B1/E1 value, the Monitor error count and the received B1/E1 byte.

IADDR[3:0]	RAM page
0000	STS-1 path Configuration
0001	PRBS[22:7]
0010	PRBS[6:0]
0011	B1/E1 value
0100	Monitor error count

IADDR[3:0]	RAM page
0101	Received B1 and E1

Four indirect registers are defined for the generator (IADDR [3] is logic 1) : the configuration, the PRBS[22:7], the PRBS[6:0] and the B1/E1 value.

IADDR[3:0]	RAM page
1000	STS-1 path Configuration
1001	PRBS[22:7]
1010	PRBS[6:0]
1011	B1/E1 value

RDWRB

The active high read and active low write (RDWRB) bit selects if the current access to the indirect register is an indirect read or an indirect write. Writing to the Indirect Address Register initiates an access to the indirect register. When RDWRB is set to logic 1, an indirect read access to the indirect register is initiated. The data from the addressed location will be transfer to the Indirect Data Register. When RDWRB is set to logic 0, an indirect write access to the indirect register is initiated. The data from the Indirect Data Register will be transfer to the addressed location.

BUSY

The active high busy (BUSY) bit reports if a previously initiated indirect access has been completed. BUSY is set to logic 1 upon writing to the Indirect Address Register. BUSY is set to logic 0, upon completion of the access. This register should be polled to determine when new data is available in the Indirect Data Register.

Note: The maximum busy bit set time is 22 clock receive/transmit cycles.

Register 1241H, 1641H, 1A41H, and 1E41H: APRGM Indirect Data

Bit	Type	Function	Default
Bit 15	R/W	DATA[15]	0
Bit 14	R/W	DATA[14]	0
Bit 13	R/W	DATA[13]	0
Bit 12	R/W	DATA[12]	0
Bit 11	R/W	DATA[11]	0
Bit 10	R/W	DATA[10]	0
Bit 9	R/W	DATA[9]	0
Bit 8	R/W	DATA[8]	0
Bit 7	R/W	DATA[7]	0
Bit 6	R/W	DATA[6]	0
Bit 5	R/W	DATA[5]	0
Bit 4	R/W	DATA[4]	0
Bit 3	R/W	DATA[3]	0
Bit 2	R/W	DATA[2]	0
Bit 1	R/W	DATA[1]	0
Bit 0	R/W	DATA[0]	0

The APRGM Indirect Data Register is provided at APRGM read/write address 01H when TRSB is high and BSB is low.

DATA[15:0]

The indirect access data (DATA[15:0]) bits hold the data transfer to or from during indirect access. When RDWRB is set to logic 1 (indirect read), the data from the addressed location will be transfer to DATA[15:0]. BUSY should be polled to determine when the new data is available in DATA[15:0]. When RDWRB is set to logic 0 (indirect write), the data from DATA[15:0] will be transfer to the addressed location. The indirect Data register must contain valid data before the indirect write is initiated by writing to the Indirect Address Register.

DATA[15:0] has a different meaning depending on which indirect register is being accessed.

Register 1242H, 1642H, 1A42H, and 1E42H: APRGM Generator Payload Configuration

Bit	Type	Function	Default
Bit 15	R/W	GEN_STS12CSL	0
Bit 14	R/W	GEN_STS12C	0
Bit 13	—	Unused	X
Bit 12	—	Unused	X
Bit 11	—	Unused	X
Bit 10	R/W	GEN_MSSLEN[2]	0
Bit 9	R/W	GEN_MSSLEN[1]	0
Bit 8	R/W	GEN_MSSLEN[0]	0
Bit 7	—	Unused	X
Bit 6	—	Unused	X
Bit 5	—	Unused	X
Bit 4	—	Unused	X
Bit 3	R/W	GEN_STS3C[4]	0
Bit 2	R/W	GEN_STS3C[3]	0
Bit 1	R/W	GEN_STS3C[2]	0
Bit 0	R/W	GEN_STS3C[1]	0

The Generator Payload Configuration register is provided at APRGM read address 02H when TRSB is high and BSB is low.

GEN_STS3C[1]

The STS-3c (VC-4) payload configuration (GEN_STS3C[1]) bit selects the payload configuration. When GEN_STS3C[1] is set to logic 1, the STS-1/STM-0 paths #1, #5 and #9 are part of a STS-3c (VC-4) payload. When GEN_STS3C[1] is set to logic 0, the paths are STS-1 (VC-3) payloads. When GEN_STS12C is set to logic 1, GEN_STS3C[1] must be set to logic 0.

GEN_STS3C[2]

The STS-3c (VC-4) payload configuration (GEN_STS3C[2]) bit selects the payload configuration. When GEN_STS3C[2] is set to logic 1, the STS-1/STM-0 paths #2, #6 and #10 are part of a STS-3c (VC-4) payload. When GEN_STS3C[2] is set to logic 0, the paths are STS-1 (VC-3) payloads. When GEN_STS12C is set to logic 1, GEN_STS3C[2] must be set to logic 0.

GEN_STS3C[3]

The STS-3c (VC-4) payload configuration (GEN_STS3C[3]) bit selects the payload configuration. When GEN_STS3C[3] is set to logic 1, the STS-1/STM-0 paths #3, #7 and #11 are part of a STS-3c (VC-4) payload. When GEN_STS3C[3] is set to logic 0, the paths are STS-1 (VC-3) payloads. When GEN_STS12C is set to logic 1, GEN_STS3C[3] must be set to logic 0.

GEN_STS3C[4]

The STS-3c (VC-4) payload configuration (GEN_STS3C[4]) bit selects the payload configuration. When GEN_STS3C[4] is set to logic 1, the STS-1/STM-0 paths #4, #8 and #12 are part of a STS-3c (VC-4) payload. When GEN_STS3C[4] is set to logic 0, the paths are STS-1 (VC-3) payloads. When GEN_STS12C is set to logic 1, GEN_STS3C[4] must be set to logic 0.

GEN_MSSLEN[2:0]

The Master/Slave Configuration Enable enables the master/slave configuration of the APRGM's generator.

GEN_MSSLEN[2:0]	Configuration
000	ms/sl configuration disable (STS-12/STM-4)
001	ms/sl configuration enable 2 APRGMs (STS-24/STM-8)
010	ms/sl configuration enable 3 APRGMs (STS-36/STM-12)
011	ms/sl configuration enable 4 APRGMs (STS-48/STM-16)
100 - 111	Invalid configuration

GEN_MSSLEN[2:0] must be set to "000" for rates STS-12c and below.

GEN_STS12C

The STS-12c (VC-4-4c) payload configuration (GEN_STS12C) bit selects the payload configuration. When GEN_STS12C is set to logic 1, the STS-1/STM-0 paths #1 to #12 are part of the same concatenated payload defined by GEN_MSSLEN. When GEN_STS12C is set to logic 0, the STS-1/STM-0 paths are defined with the GEN_STS3C[1:4] register bit.

GEN_STS12CSL

The slave STS-12c (VC-4-4c) payload configuration (GEN_STS12CSL) bit selects the slave payload configuration. When GEN_STS12CSL is set to logic 1, the STS-1/STM-0 paths #1 to #12 are part of a slave payload. When GEN_STS12CSL is set to logic 0, the STS-1/STM-0 paths are part of a master payload. When GEN_STS12C is set to logic 0, GEN_STS12CSL must be set to logic 0.

Register 1243H, 1643H, 1A43H, and 1E43H: APRGM Monitor Payload Configuration

Bit	Type	Function	Default
Bit 15	R/W	MON_STS12CSL	0
Bit 14	R/W	MON_STS12C	0
Bit 13	—	Unused	X
Bit 12	—	Unused	X
Bit 11	—	Unused	X
Bit 10	R/W	MON_MSSLEN[2]	0
Bit 9	R/W	MON_MSSLEN[1]	0
Bit 8	R/W	MON_MSSLEN[0]	0
Bit 7	—	Unused	X
Bit 6	R/W	Reserved	0
Bit 5	—	Unused	X
Bit 4	—	Unused	X
Bit 3	R/W	MON_STS3C[4]	0
Bit 2	R/W	MON_STS3C[3]	0
Bit 1	R/W	MON_STS3C[2]	0
Bit 0	R/W	MON_STS3C[1]	0

The Monitor Payload Configuration register is provided at APRGM read address 03H when TRSB is high and BSB is low.

MON_STS3C[1]

The STS-3c (VC-4) payload configuration (MON_STS3C[1]) bit selects the payload configuration. When MON_STS3C[1] is set to logic 1, the STS-1/STM-0 paths #1, #5 and #9 are part of a STS-3c/VC-4 payload. When MON_STS3C[1] is set to logic 0, the paths are STS-1/VC-3 payloads. When MON_STS12C is set to logic 1, MON_STS3C[1] must be set to logic 0.

MON_STS3C[2]

The STS-3c (VC-4) payload configuration (MON_STS3C[2]) bit selects the payload configuration. When MON_STS3C[2] is set to logic 1, the STS-1/STM-0 paths #2, #6 and #10 are part of a STS-3c/VC-4 payload. When MON_STS3C[2] is set to logic 0, the paths are STS-1/VC-3 payloads. When MON_STS12C is set to logic 1, MON_STS3C[2] must be set to logic 0.

MON_STS3C[3]

The STS-3c (VC-4) payload configuration (MON_STS3C[3]) bit selects the payload configuration. When MON_STS3C[3] is set to logic 1, the STS-1/STM-0 paths #3, #7 and #11 are part of a MON_STS-3c/VC-4 payload. When MON_STS3C[3] is set to logic 0, the paths are STS-1 (VC-3) payloads. When MON_STS12C is set to logic 1, MON_STS3C[3] must be set to logic 0.

MON_STS3C[4]

The STS-3c (VC-4) payload configuration (MON_STS3C[4]) bit selects the payload configuration. When MON_STS3C[4] is set to logic 1, the STS-1/STM-0 paths #4, #8 and #12 are part of a STS-3c/VC-4 payload. When MON_STS3C[4] is set to logic 0, the paths are STS-1/VC-3 payloads. When MON_STS12C is set to logic 1, MON_STS3C[4] must be set to logic 0.

Reserved

The reserved bits must be programmed to their default values for proper operation.

MON_MSSLEN[2:0]

The Master/Slave Configuration Enable enables the master/slave configuration of the APRGM's monitor.

GEN_MSSLEN[2:0]	Configuration
000	ms/sl configuration disable (STS-12/STM-4)
001	ms/sl configuration enable 2 APRGMs (STS-24/STM-8)
010	ms/sl configuration enable 3 APRGMs (STS-36/STM-12)
011	ms/sl configuration enable 4 APRGMs (STS-48/STM-16)
100 – 111	Invalid configuration

MON_MSSLEN[2:0] must be set to "000" for rates STS-12c and below.

MON_STS12C

The STS-12c (VC-4-4c) payload configuration (MON_STS12C) bit selects the payload configuration. When MON_STS12C is set to logic 1, the STS-1/STM-0 paths #1 to #12 are part of the same concatenated payload defined by MON_MSSLEN. When MON_STS12C is set to logic 0, the STS-1/STM-0 paths are defined with the MON_STS3C[3:0] register bit.

MON_STS12CSL

The slave STS-12c (VC-4-4c) payload configuration (MON_STS12CSL) bit selects the slave payload configuration. When MON_STS12CSL is set to logic 1, the STS-1/STM-0 paths #1 to #12 are part of a slave payload. When MON_STS12CSL is set to logic 0, the STS-1/STM-0 paths are part of a master payload. When MON_STS12C is set to logic 0, MON_STS12CSL must be set to logic 0.

Register 1244H, 1644H, 1A44H, and 1E44H: APRGM Monitor Byte Error Interrupt Status

Bit	Type	Function	Default
Bit 15	—	Unused	X
Bit 14	—	Unused	X
Bit 13	—	Unused	X
Bit 12	—	Unused	X
Bit 11	R	MON12_ERRI	X
Bit 10	R	MON11_ERRI	X
Bit 9	R	MON10_ERRI	X
Bit 8	R	MON9_ERRI	X
Bit 7	R	MON8_ERRI	X
Bit 6	R	MON7_ERRI	X
Bit 5	R	MON6_ERRI	X
Bit 4	R	MON5_ERRI	X
Bit 3	R	MON4_ERRI	X
Bit 2	R	MON3_ERRI	X
Bit 1	R	MON2_ERRI	X
Bit 0	R	MON1_ERRI	X

The Monitor Byte Error Interrupt Status register is provided at APRGM read address 04H when TRSB is high and BSB is low.

MON_x_ERRI

The Monitor Byte Error Interrupt Status register is the status of the interrupt generated by each of the 12 STS-1 paths when an error has been detected. The MON_x_ERRI is set high when the monitor is in the synchronized state and when an error in a PRBS byte is detected in the STS-1 path **x**. This bit is independent of MON_x_ERRE, and is cleared after it's been read.

Register 1245H, 1645H, 1A45H, and 1E45H: APRGM Monitor Byte Error Interrupt Enable

Bit	Type	Function	Default
Bit 15	—	Unused	X
Bit 14	—	Unused	X
Bit 13	—	Unused	X
Bit 12	—	Unused	X
Bit 11	R/W	MON12_ERRE	0
Bit 10	R/W	MON11_ERRE	0
Bit 9	R/W	MON10_ERRE	0
Bit 8	R/W	MON9_ERRE	0
Bit 7	R/W	MON8_ERRE	0
Bit 6	R/W	MON7_ERRE	0
Bit 5	R/W	MON6_ERRE	0
Bit 4	R/W	MON5_ERRE	0
Bit 3	R/W	MON4_ERRE	0
Bit 2	R/W	MON3_ERRE	0
Bit 1	R/W	MON2_ERRE	0
Bit 0	R/W	MON1_ERRE	0

The Monitor Byte Error Interrupt Enable register is provided at APRGM read/write address 05H when TRSB is high and BSB is low.

MON_x_ERRE

The Monitor Byte Error Interrupt Enable register enables the interrupt for each of the 12 STS-1 paths. When MON_x_ERRE is set high, allows the Byte Error Interrupt to generate an external interrupt.

Register 1246H, 1646H, 1A46H, and 1E46H: APRGM Monitor B1/E1 Bytes Interrupt Status

Bit	Type	Function	Default
Bit 15	—	Unused	X
Bit 14	—	Unused	X
Bit 13	—	Unused	X
Bit 12	—	Unused	X
Bit 11	R	MON12_B1E1I	X
Bit 10	R	MON11_B1E1I	X
Bit 9	R	MON10_B1E1I	X
Bit 8	R	MON9_B1E1I	X
Bit 7	R	MON8_B1E1I	X
Bit 6	R	MON7_B1E1I	X
Bit 5	R	MON6_B1E1I	X
Bit 4	R	MON5_B1E1I	X
Bit 3	R	MON4_B1E1I	X
Bit 2	R	MON3_B1E1I	X
Bit 1	R	MON2_B1E1I	X
Bit 0	R	MON1_B1E1I	X

The Monitor B1/E1Bytes Interrupt Status register is provided at APRGM read address 06H when TRSB is high and BSB is low.

MON_x_B1E1I

The Monitor B1/E1Bytes Interrupt Status register is the status of the interrupt generated by each of the 12 STS-1 paths when a change in the status of the comparison has been detected on the B1/E1 bytes. The MON_x_B1E1I is set high when the monitor is in the synchronized state and when the status change is detected on either the B1 or E1 bytes in the STS-1 path **x**. For example, if a mismatch is detected and the previous comparison was a match, the MON_x_B1E1I will be set high. But if a mismatch is detected and the previous comparison was a mismatch, the MON_x_B1E1I will keep its previous value. This bit is independent of MON_x_B1E1E, and is cleared after it's been read.

Register 1247H, 1647H, 1A47H, and 1E47H: APRGM Monitor B1/E1 Bytes Interrupt Enable

Bit	Type	Function	Default
Bit 15	—	Unused	X
Bit 14	—	Unused	X
Bit 13	—	Unused	X
Bit 12	—	Unused	X
Bit 11	R/W	MON12_B1E1E	0
Bit 10	R/W	MON11_B1E1E	0
Bit 9	R/W	MON10_B1E1E	0
Bit 8	R/W	MON9_B1E1E	0
Bit 7	R/W	MON8_B1E1E	0
Bit 6	R/W	MON7_B1E1E	0
Bit 5	R/W	MON6_B1E1E	0
Bit 4	R/W	MON5_B1E1E	0
Bit 3	R/W	MON4_B1E1E	0
Bit 2	R/W	MON3_B1E1E	0
Bit 1	R/W	MON2_B1E1E	0
Bit 0	R/W	MON1_B1E1E	0

The Monitor B1/E1 Bytes Interrupt Enable register is provided at APRGM read/write address 07H when TRSB is high and BSB is low.

MON_x_B1E1E

The Monitor B1/E1 Bytes Interrupt Enable register enables the interrupt for each of the 12 STS-1 paths. When MON_x_B1E1E is set high, allows the B1/E1 Bytes Interrupt to generate an external interrupt.

Register 1249H, 1649H, 1A49H, and 1E49H: APRGM Monitor Synchronization Interrupt Status

Bit	Type	Function	Default
Bit 15	—	Unused	X
Bit 14	—	Unused	X
Bit 13	—	Unused	X
Bit 12	—	Unused	X
Bit 11	R	MON12_SYNCI	X
Bit 10	R	MON11_SYNCI	X
Bit 9	R	MON10_SYNCI	X
Bit 8	R	MON9_SYNCI	X
Bit 7	R	MON8_SYNCI	X
Bit 6	R	MON7_SYNCI	X
Bit 5	R	MON6_SYNCI	X
Bit 4	R	MON5_SYNCI	X
Bit 3	R	MON4_SYNCI	X
Bit 2	R	MON3_SYNCI	X
Bit 1	R	MON2_SYNCI	X
Bit 0	R	MON1_SYNCI	X

The Monitor Synchronization Interrupt Status register is provided at APRGM read address 09H when TRSB is high and BSB is low.1

MON_x_SYNCI

The Monitor Synchronization Interrupt Status register is set high when a change occurs in the monitor's synchronization status. Whenever a state machine of the **x** STS-1 path goes from Synchronized to Out Of Synchronization state or vice-versa, the MON_x_SYNCI is set high. This bit is independent of MON_x_SYNCE, and is cleared after it's been read.

Register 124AH, 164AH, 1A4AH, and 1E4AH: APRGM Monitor Synchronization Interrupt Enable

Bit	Type	Function	Default
Bit 15	—	Unused	X
Bit 14	—	Unused	X
Bit 13	—	Unused	X
Bit 12	—	Unused	X
Bit 11	R/W	MON12_SYNCE	0
Bit 10	R/W	MON11_SYNCE	0
Bit 9	R/W	MON10_SYNCE	0
Bit 8	R/W	MON9_SYNCE	0
Bit 7	R/W	MON8_SYNCE	0
Bit 6	R/W	MON7_SYNCE	0
Bit 5	R/W	MON6_SYNCE	0
Bit 4	R/W	MON5_SYNCE	0
Bit 3	R/W	MON4_SYNCE	0
Bit 2	R/W	MON3_SYNCE	0
Bit 1	R/W	MON2_SYNCE	0
Bit 0	R/W	MON1_SYNCE	0

The Monitor Synchronization Interrupt Enable register is provided at APRGM read/write address 0AH when TRSB is high and BSB is low.

MON_x_SYNCE

The Monitor Synchronization Interrupt Enable register allows each individual STS-1 path to generate an external interrupt on INT. When MON_x_SYNCE is set high, whenever a change occurs in the synchronization state of the monitor in STS-1 path **x**, generates an interrupt.

Register 124BH, 164BH, 1A4BH, and 1E4BH: APRGM Monitor Synchronization Status

Bit	Type	Function	Default
Bit 15	—	Unused	X
Bit 14	—	Unused	X
Bit 13	—	Unused	X
Bit 12	—	Unused	X
Bit 11	R	MON12_SYNCV	X
Bit 10	R	MON11_SYNCV	X
Bit 9	R	MON10_SYNCV	X
Bit 8	R	MON9_SYNCV	X
Bit 7	R	MON8_SYNCV	X
Bit 6	R	MON7_SYNCV	X
Bit 5	R	MON6_SYNCV	X
Bit 4	R	MON5_SYNCV	X
Bit 3	R	MON4_SYNCV	X
Bit 2	R	MON3_SYNCV	X
Bit 1	R	MON2_SYNCV	X
Bit 0	R	MON1_SYNCV	X

The Monitor Synchronization Status register is provided at APRGM read address 0BH when TRSB is high and BSB is low.

MON_x_SYNCV

The Monitor Synchronization Status register reflects the state of the monitor's state machine. When MON_x_SYNCV is set high, the monitor's state machine is in synchronization for the STS-1 Path x. When MON_x_SYNCV is low, the monitor is NOT in synchronization for the STS-1 Path x.

Notes:

- The PRBS monitor will lock to an all ones or all zeros pattern.
- For concatenated payloads, only the first STS-1 path of the STS-Nc MON_x_SYNCV1 bit is valid.

Register 124CH, 164CH, 1A4CH, and 1E4CH: APRGM Counter Update

Bit	Type	Function	Default
Bit 15	—	Unused	X
Bit 14	—	Unused	X
Bit 13	—	Unused	X
Bit 12	—	Unused	X
Bit 11	—	Unused	X
Bit 10	—	Unused	X
Bit 9	—	Unused	X
Bit 8	—	Unused	X
Bit 7	—	Unused	X
Bit 6	—	Unused	X
Bit 5	—	Unused	X
Bit 4	—	Unused	X
Bit 3	—	Unused	X
Bit 2	—	Unused	X
Bit 1	—	Unused	X
Bit 0	R	Reserved	X

The Counter Update register is provided at APRGM read address 0Ch when TRSB is high and BSB is low.

A write in this register or to the Master Configuration Register (0000H) will trigger the transfer of the error counters to holding registers where they can be read. The value written in the register is not important.

Reserved

The reserved bits must be programmed to their default values for proper operation.

Indirect Register 00H: APRGM Monitor STS-1 path Configuration

Bit	Type	Function	Default
Bit 15	—	Unused	X
Bit 14	—	Unused	X
Bit 13	—	Unused	X
Bit 12	—	Unused	X
Bit 11	—	Unused	X
Bit 10	R/W	Reserved	0
Bit 9	R/W	Reserved	0
Bit 8	—	Unused	X
Bit 7	—	Unused	X
Bit 6	R/W	SEQ_PRBSB	0
Bit 5	R/W	B1E1_ENA	0
Bit 4	—	Unused	X
Bit 3	W	RESYNC	0
Bit 2	R/W	INV_PRBS	0
Bit 1	R/W	AMODE	0
Bit 0	R/W	MON_ENA	0

APRGM Indirect Data Register (Register 01H) definition when accessing Indirect Address 0H (IADDR[3:0] is “0H” of register 00H).

MON_ENA

Monitor Enable enables the PRBS monitor for the STS-1 path specified in the PATH[3:0] of register 0h (APRGM Indirect Addressing). If MON_ENA is set to logic 1, a PRBS sequence is generated and compare to the incoming one inserted in the payload of the SONET/SDH frame. If MON_ENA is low, the data at the input of the monitor is ignored.

AMODE

AMODE sets the PRGM monitor in the TelecomBus mode. If the AMODE is logic 1, the monitor is in Autonomous mode and the incoming SONET/SDH payload is compared to the internally generated one. In Autonomous mode, the generated SPE is always place next to the H3 byte (zero offset), thus the J1 pulses are ignored. When AMODE is logic 0, the SONET/SDH payload offset received on the system interface is maintained through the PRGM block. The TOH and the POH are output unmodified, but PRBS is inserted in the payload.

Note: For proper operation when the AJ0J1_FP port contains no valid framing, the AFPEN mode (bit 14 of register 0016H) must be configured and the AFPMASK mask (bit 15 of register 001DH) must be enabled.

INV_PRBS

INV_PRBS sets the monitor to invert the PRBS before comparing it to the internally generated payload. When set high, the PRBS bytes will be inverted else they will be compared unmodified.

RESYNC

Sets the monitor to re-initialize the PRBS sequence. When set high, the monitor's state machine will be forced in the Out Of Sync state and automatically try to resynchronize to the incoming stream. In master/slave configuration, to re-initialize the PRBS, RESYNC has to be set high in the master APRGM only.

B1E1_ENA

When high, this bit enables the monitoring of the B1 and E1 bytes in the SONET/SDH frame. The incoming B1 byte is compared to a programmable register. The E1 byte is compared to the complement of the same value. When B1E1_ENA is high, the B1 and E1 bytes are monitored.

SEQ_PRBSB

This bit enables the monitoring of a PRBS or sequential pattern inserted in the payload. When low, the payload contains PRBS bytes, and when high, a sequential pattern is monitored.

Reserved

The reserved bits must be programmed to their default values for proper operation.

Indirect Register 01H: APRGM Monitor PRBS[22:7] Accumulator

Bit	Type	Function	Default
Bit 15	R/W	PRBS[22]	0
Bit 14	R/W	PRBS[21]	0
Bit 13	R/W	PRBS[20]	0
Bit 12	R/W	PRBS[19]	0
Bit 11	R/W	PRBS[18]	0
Bit 10	R/W	PRBS[17]	0
Bit 9	R/W	PRBS[16]	0
Bit 8	R/W	PRBS[15]	0
Bit 7	R/W	PRBS[14]	0
Bit 6	R/W	PRBS[13]	0
Bit 5	R/W	PRBS[12]	0
Bit 4	R/W	PRBS[11]	0
Bit 3	R/W	PRBS[10]	0
Bit 2	R/W	PRBS[9]	0
Bit 1	R/W	PRBS[8]	0
Bit 0	R/W	PRBS[7]	0

APRGM Indirect Data Register (Register 01H) definition when accessing Indirect Address 1H (IADDR[3:0] is “1H” of register 00H).

PRBS[22:7]

The PRBS[22:7] register, are the 16 MSBs of the LFSR state of the STS-1 path specified in the Indirect Addressing register. It is possible to write in this register to change the initial state of the register.

Indirect Register 02H: APRGM Monitor PRBS[6:0] Accumulator

Bit	Type	Function	Default
Bit 15	—	Unused	X
Bit 14	—	Unused	X
Bit 13	—	Unused	X
Bit 12	—	Unused	X
Bit 11	—	Unused	X
Bit 10	—	Unused	X
Bit 9	—	Unused	X
Bit 8	—	Unused	X
Bit 7	—	Unused	X
Bit 6	R/W	PRBS[6]	0
Bit 5	R/W	PRBS[5]	0
Bit 4	R/W	PRBS[4]	0
Bit 3	R/W	PRBS[3]	0
Bit 2	R/W	PRBS[2]	0
Bit 1	R/W	PRBS[1]	0
Bit 0	R/W	PRBS[0]	0

APRGM Indirect Data Register (Register 01H) definition when accessing Indirect Address 2H (IADDR[3:0] is “2H” of register 00H).

PRBS[6:0]

The PRBS[7:0] register, are the 7 LSBs of the LFSR state of the STS-1 path specified in the Indirect Addressing register. It is possible to write in this register to change the initial state of the register.

Indirect Register 03H: APRGM Monitor B1/E1 Value

Bit	Type	Function	Default
Bit 15	—	Unused	X
Bit 14	—	Unused	X
Bit 13	—	Unused	X
Bit 12	—	Unused	X
Bit 11	—	Unused	X
Bit 10	—	Unused	X
Bit 9	—	Unused	X
Bit 8	—	Unused	X
Bit 7	R/W	B1[7]	0
Bit 6	R/W	B1[6]	0
Bit 5	R/W	B1[5]	0
Bit 4	R/W	B1[4]	0
Bit 3	R/W	B1[3]	0
Bit 2	R/W	B1[2]	0
Bit 1	R/W	B1[1]	0
Bit 0	R/W	B1[0]	0

APRGM Indirect Data Register (Register 01h) definition when accessing Indirect Address 3H (IADDR[3:0] is “3H” of register 00H).

B1[7:0]

When enabled, the monitoring of the B1 byte in the incoming SONET/SDH frame, is a simple comparison to the value in the B1[7:0] register. The same value is used for the monitoring of the E1 byte except its complement is used.

Indirect Register 04H: APRGM Monitor Error Count

Bit	Type	Function	Default
Bit 15	R	ERR_CNT[15]	X
Bit 14	R	ERR_CNT[14]	X
Bit 13	R	ERR_CNT[13]	X
Bit 12	R	ERR_CNT[12]	X
Bit 11	R	ERR_CNT[11]	X
Bit 10	R	ERR_CNT[10]	X
Bit 9	R	ERR_CNT[9]	X
Bit 8	R	ERR_CNT[8]	X
Bit 7	R	ERR_CNT[7]	X
Bit 6	R	ERR_CNT[6]	X
Bit 5	R	ERR_CNT[5]	X
Bit 4	R	ERR_CNT[4]	X
Bit 3	R	ERR_CNT[3]	X
Bit 2	R	ERR_CNT[2]	X
Bit 1	R	ERR_CNT[1]	X
Bit 0	R	ERR_CNT[0]	X

APRGM Indirect Data Register (Register 01h) definition when accessing Indirect Address 4H (IADDR[3:0] is “4H” of register 00H).

ERR_CNT[15:0]

The ERR_CNT[15:0] registers, is the number of error in the PRBS bytes detected during the monitoring. Errors are accumulated only when the monitor is in the synchronized state. Even if there are multiple errors within one PRBS byte, only one error is counted. The error counter is cleared and restarted after its value is transferred to the ERR_CNT[15:0] holding registers. No errors are missed during the transfer. The error counter will not wrap around after reaching FFFFh, it will saturate at this value.

Note: When losing synchronization, the PRBS monitor in the PRGM block incorrectly counts up to two additional byte errors.

Indirect Register 05H: APRGM Monitor Received B1/E1 Bytes

Bit	Type	Function	Default
Bit 15	R	REC_E1[7]	X
Bit 14	R	REC_E1[6]	X
Bit 13	R	REC_E1[5]	X
Bit 12	R	REC_E1[4]	X
Bit 11	R	REC_E1[3]	X
Bit 10	R	REC_E1[2]	X
Bit 9	R	REC_E1[1]	X
Bit 8	R	REC_E1[0]	X
Bit 7	R	REC_B1[7]	X
Bit 6	R	REC_B1[6]	X
Bit 5	R	REC_B1[5]	X
Bit 4	R	REC_B1[4]	X
Bit 3	R	REC_B1[3]	X
Bit 2	R	REC_B1[2]	X
Bit 1	R	REC_B1[1]	X
Bit 0	R	REC_B1[0]	X

APRGM Indirect Data Register (Register 01h) definition when accessing Indirect Address 5H (IADDR[3:0] is “5H” of register 00H).

REC_B1[7:0]

The Received B1 byte is the content of the B1 byte position in the SONET/SDH frame for this particular STS-1 path. Every time a B1 byte is received, it is copied in this register.

REC_E1[7:0]

The Received E1 byte is the content of the E1 byte position in the SONET/SDH frame for this particular STS-1 path. Every time a E1 byte is received, it is copied in this register.

Indirect Register 08H: APRGM Generator STS-1 Path Configuration

Bit	Type	Function	Default
Bit 15	—	Unused	X
Bit 14	—	Unused	X
Bit 13	R/W	Reserved	0
Bit 12	R/W	GEN_ENA	0
Bit 11	—	Unused	X
Bit 10	—	Unused	X
Bit 9	R/W	Reserved	0
Bit 8	R/W	APAIS_DIS	0
Bit 7	R/W	SS[1]	0
Bit 6	R/W	SS[0]	0
Bit 5	R/W	SEQ_PRBSB	0
Bit 4	R/W	B1E1_ENA	0
Bit 3	W	FORCE_ERR	0
Bit 2	—	Unused	X
Bit 1	R/W	INV_PRBS	0
Bit 0	R/W	AMODE	0

APRGM Indirect Data Register (Register 01H) definition when accessing Indirect Address 8H (IADDR[3:0] is “8H” of register 00H).

AMODE

Sets the APRGM generator in the TelecomBus or in Autonomous mode. If the AMODE is high, the generator is in Autonomous mode, and the SONET/SDH frame is generated using only the J0 pulse. When AMODE is low, the SONET/SDH frame is received on the TelecomBus. The TOH and the POH are output unmodified, but PRBS is inserted in the payload.

Note: For proper operation when the AJ0J1_FP port contains no valid framing, the AFPEN mode (bit 14 of register 0016H) must be configure and the AFPMASK mask (bit 15 of register 001DH) must be enabled.

INV_PRBS

Sets the generator to invert the PRBS before inserting it in the payload. When set high, the PRBS bytes will be inverted, else they will be inserted unmodified.

FORCE_ERR

The Force Error bit is used to force bit errors in the inserted pattern. When set high, the MSB of the next byte will be inverted, inducing a single bit error. The register clears itself when the operation is complete. A read operation will always result in a logic 0.

B1E1_ENA

This bit enables the replacement of the B1 byte in the SONET/SDH frame, by a programmable value. The E1 byte is replaced by the complement of the same value. When B1E1_ENA is high, the B1 and E1 bytes are replaced in the frame, else they go through the APRGM unaltered. The B1/E1 byte insertion is independent of PRBS insertion.

SEQ_PRBSB

This bit enables the insertion of a PRBS sequence or a sequential pattern in the payload. When low, the payload is filled with PRBS bytes, and when high, a sequential pattern is inserted.

SS[1:0]

The SS bits signal, is the value to be inserted in bit 2 and 3 of the H1 byte of a concatenated pointer. This value is used when the APRGM is in processing concatenated payload and in autonomous mode.

APAIS_DIS

The Add Bus AIS-P Disable controls the APAIS port on a per STS-1/STM-0 basis. When low, the APAIS port controls the insertion of AIS-P in the transmit side for the corresponding STS-1/STM-0 path. When high, the APAIS port will not insert AIS-P in the transmit side for the corresponding STS-1/STM-0 path.

Reserved

The reserved bits must be programmed to their default values for proper operation.

GEN_ENA

This bit specifies if PRBS is to be inserted. If GEN_ENA is high, patterns are generated and inserted, else no pattern is generated and the unmodified SONET/SDH input frame is output.

Indirect Register 09H: APRGM Generator PRBS[22:7] Accumulator

Bit	Type	Function	Default
Bit 15	R/W	PRBS[22]	0
Bit 14	R/W	PRBS[21]	0
Bit 13	R/W	PRBS[20]	0
Bit 12	R/W	PRBS[19]	0
Bit 11	R/W	PRBS[18]	0
Bit 10	R/W	PRBS[17]	0
Bit 9	R/W	PRBS[16]	0
Bit 8	R/W	PRBS[15]	0
Bit 7	R/W	PRBS[14]	0
Bit 6	R/W	PRBS[13]	0
Bit 5	R/W	PRBS[12]	0
Bit 4	R/W	PRBS[11]	0
Bit 3	R/W	PRBS[10]	0
Bit 2	R/W	PRBS[9]	0
Bit 1	R/W	PRBS[8]	0
Bit 0	R/W	PRBS[7]	0

APRGM Indirect Data Register (Register 01H) definition when accessing Indirect Address 9H (IADDR[3:0] is “9H” of register 00H).

PRBS[22:7]

The PRBS[22:7] register, are the 16 MSBs of the LFSR state of the STS-1 path specified in the Indirect Addressing register. It is possible to write in this register to change the initial state of the register.

Indirect Register 0AH: APRGM Generator PRBS[6:0] Accumulator

Bit	Type	Function	Default
Bit 15	—	Unused	X
Bit 14	—	Unused	X
Bit 13	—	Unused	X
Bit 12	—	Unused	X
Bit 11	—	Unused	X
Bit 10	—	Unused	X
Bit 9	—	Unused	X
Bit 8	—	Unused	X
Bit 7	—	Unused	X
Bit 6	R/W	PRBS[6]	0
Bit 5	R/W	PRBS[5]	0
Bit 4	R/W	PRBS[4]	0
Bit 3	R/W	PRBS[3]	0
Bit 2	R/W	PRBS[2]	0
Bit 1	R/W	PRBS[1]	0
Bit 0	R/W	PRBS[0]	0

APRGM Indirect Data Register (Register 01H) definition when accessing Indirect Address AH (IADDR[3:0] is “AH” of register 00H).

PRBS[6:0]

The PRBS[6:0] register, are the seven LSBs of the LFSR state of the STS-1 path specified in the Indirect Addressing register. It is possible to write in this register to change the initial state of the register.

Indirect Register 0BH: APRGM Generator B1/E1 value

Bit	Type	Function	Default
Bit 15	—	Unused	X
Bit 14	—	Unused	X
Bit 13	—	Unused	X
Bit 12	—	Unused	X
Bit 11	—	Unused	X
Bit 10	—	Unused	X
Bit 9	—	Unused	X
Bit 8	—	Unused	X
Bit 7	R/W	B1[7]	0
Bit 6	R/W	B1[6]	0
Bit 5	R/W	B1[5]	0
Bit 4	R/W	B1[4]	0
Bit 3	R/W	B1[3]	0
Bit 2	R/W	B1[2]	0
Bit 1	R/W	B1[1]	0
Bit 0	R/W	B1[0]	0

APRGM Indirect Data Register (Register 01H) definition when accessing Indirect Address BH (IADDR[3:0] is “BH” of register 00H).

B1[7:0]

When enabled, the value in this register is inserted in the B1 byte position in the outgoing SONET/SDH frame. The complement of this value is also inserted at the E1 byte position.

Register 1280H, 1680H, 1A80H, and 1E80H: TAPI Indirect Address

Bit	Type	Function	Default
Bit 15	R	BUSY	X
Bit 14	R/W	RWB	0
Bit 13	—	Unused	X
Bit 12	—	Unused	X
Bit 11	—	Unused	X
Bit 10	—	Unused	X
Bit 9	R/W	IADDR[3]	0
Bit 8	R/W	IADDR[2]	0
Bit 7	R/W	IADDR[1]	0
Bit 6	R/W	IADDR[0]	0
Bit 5	—	Unused	X
Bit 4	—	Unused	X
Bit 3	R/W	PATH[3]	0
Bit 2	R/W	PATH[2]	0
Bit 1	R/W	PATH[1]	0
Bit 0	R/W	PATH[0]	0

The Indirect Address Register is provided at TAPI read/write address 1280H, 1680H, 1A80H, and 1E80H.

PATH[3:0]

The STS-1/STM-0 path (PATH[3:0]) bits select which STS-1/STM-0 path is accessed by the current indirect transfer.

PATH[3:0]	STS-1/STM-0 path #
0000	Invalid path
0001-1100	Path #1 to Path #12
1101-1111	Invalid path

IADDR[3:0]

The indirect address location (IADDR[3:0]) bits select which address location is accessed by the current indirect transfer.

Indirect Address ADDR[3:0]	Indirect Data
0000	Pointer Interpreter Configuration
0001	Error Monitor Configuration
0010	Pointer Value and ERDI
0011	Captured and Accepted PSL
0100	Expected PSL and PDI
0101	TAPI Pointer Interpreter status

Indirect Address ADDR[3:0]	Indirect Data
0110	TAPI Path BIP Error Counter
0111	TAPI Path REI Error Counter
1000	TAPI Path Negative Justification Event Counter
1001	TAPI Path Positive Justification Event Counter
1010 to 1111	Unused

RWB

The active high read and active low write (RWB) bit selects if the current access to the internal RAM is an indirect read or an indirect write. Writing to the Indirect Address Register initiates an access to the internal RAM. When RWB is set to logic 1, an indirect read access to the RAM is initiated. The data from the addressed location in the internal RAM will be transferred to the Indirect Data Register. When RWB is set to logic 0, an indirect write access to the RAM is initiated. The data from the Indirect Data Register will be transferred to the addressed location in the internal RAM.

BUSY

The active high RAM busy (BUSY) bit reports if a previously initiated indirect access to the internal RAM has been completed. BUSY is set to logic 1 upon writing to the Indirect Address Register. BUSY is set to logic 0, upon completion of the RAM access. This register should be polled to determine when new data is available in the Indirect Data Register.

Note: The maximum busy bit set time is 22 clock receive/transmit cycles.

Register 1281H, 1681H, 1A81H, and 1E81H: TAPI Indirect Data

Bit	Type	Function	Default
Bit 15	R/W	DATA[15]	0
Bit 14	R/W	DATA[14]	0
Bit 13	R/W	DATA[13]	0
Bit 12	R/W	DATA[12]	0
Bit 11	R/W	DATA[11]	0
Bit 10	R/W	DATA[10]	0
Bit 9	R/W	DATA[9]	0
Bit 8	R/W	DATA[8]	0
Bit 7	R/W	DATA[7]	0
Bit 6	R/W	DATA[6]	0
Bit 5	R/W	DATA[5]	0
Bit 4	R/W	DATA[4]	0
Bit 3	R/W	DATA[3]	0
Bit 2	R/W	DATA[2]	0
Bit 1	R/W	DATA[1]	0
Bit 0	R/W	DATA[0]	0

The Indirect Data Register is provided at TAPI read/write address 1281H, 1681H, 1A81H, and 1E81H.

DATA[15:0]

The indirect access data (DATA[15:0]) bits hold the data transfer to or from the internal RAM during indirect access. When RWB is set to logic 1 (indirect read), the data from the addressed location in the internal RAM will be transferred to DATA[15:0]. BUSY should be polled to determine when the new data is available in DATA[15:0]. When RWB is set to logic 0 (indirect write), the data from DATA[15:0] will be transferred to the addressed location in the internal RAM. The indirect Data register must contain valid data before the indirect write is initiated by writing to the Indirect Address Register.

DATA[15:0] has a different meaning depending on which address of the internal RAM is being accessed.

Register 1282H, 1682H, 1A82H, and 1E82H: TAPI Payload Configuration

Bit	Type	Function	Default
Bit 15	R/W	STS12CSL	0
Bit 14	R/W	STS12C	0
Bit 13	R/W	Reserved	0
Bit 12	—	Unused	X
Bit 11	—	Unused	X
Bit 10	—	Unused	X
Bit 9	—	Unused	X
Bit 8	R/W	Reserved	0
Bit 7	R/W	Reserved	0
Bit 6	R/W	Reserved	0
Bit 5	R/W	Reserved	0
Bit 4	R/W	Reserved	0
Bit 3	R/W	STS3C[4]	0
Bit 2	R/W	STS3C[3]	0
Bit 1	R/W	STS3C[2]	0
Bit 0	R/W	STS3C[1]	0

The Payload Configuration Register is provided at TAPI read/write address 1282H, 1681H, 1A82H, and 1E82H.

STS3C[1]

The STS-3c (VC-4) payload configuration (STS3C[1]) bit selects the payload configuration. When STS3C[1] is set to logic 1, the STS-1/STM-0 paths #1, #5 and #9 are part of a STS-3c (VC-4) payload. When STS3C[1] is set to logic 0, the paths are STS-1 (VC-3) payloads. The STS12C register bit has precedence over the STS3C[1] register bit.

STS3C[2]

The STS-3c (VC-4) payload configuration (STS3C[2]) bit selects the payload configuration. When STS3C[2] is set to logic 1, the STS-1/STM-0 paths #2, #6 and #10 are part of a STS-3c (VC-4) payload. When STS3C[2] is set to logic 0, the paths are STS-1 (VC-3) payloads. The STS12C register bit has precedence over the STS3C[2] register bit.

STS3C[3]

The STS-3c (VC-4) payload configuration (STS3C[3]) bit selects the payload configuration. When STS3C[3] is set to logic 1, the STS-1/STM-0 paths #3, #7 and #11 are part of a STS-3c (VC-4) payload. When STS3C[3] is set to logic 0, the paths are STS-1 (VC-3) payloads. The STS12C register bit has precedence over the STS3C[3] register bit.

STS3C[4]

The STS-3c (VC-4) payload configuration (STS3C[4]) bit selects the payload configuration. When STS3C[4] is set to logic 1, the STS-1/STM-0 paths #4, #8 and #12 are part of a STS-3c (VC-4) payload. When STS3C[4] is set to logic 0, the paths are STS-1 (VC-3) payloads. The STS12C register bit has precedence over the STS3C[4] register bit.

Reserved

The reserved bits must be programmed to their default values for proper operation.

STS12C

The STS-12c (VC-4-4c) payload configuration (STS12C) bit selects the payload configuration. When STS12C is set to logic 1, the STS-1/STM-0 paths #1 to #12 are part of a STS-12c (VC-4-4c) payload. When STS12C is set to logic 0, the STS-1/STM-0 paths are defined with the STS3C[1:4] register bit. The STS12C register bit has precedence over the STS3C[1:4] register bit.

STS12CSL

The slave STS-12c (VC-4-4c) payload configuration (STS12CSL) bit selects the slave payload configuration. When STS12CSL is set to logic 1, the STS-1/STM-0 paths #1 to #12 are part of a STS-12c (VC-4-4c) slave payload. When STS12CSL is set to logic 0, the STS-1/STM-0 paths #1 to # 12 are part of a STS-12c (VC-4-4c) master payload. When STS12C is set to logic 0, the STS12CSL register bit has no effect.

Register 1283H, 1683H, 1A83H, and 1E83H: TAPI Counters Update

Bit	Type	Function	Default
Bit 15	—	Unused	X
Bit 14	—	Unused	X
Bit 13	—	Unused	X
Bit 12	—	Unused	X
Bit 11	—	Unused	X
Bit 10	—	Unused	X
Bit 9	—	Unused	X
Bit 8	—	Unused	X
Bit 7	—	Unused	X
Bit 6	—	Unused	X
Bit 5	—	Unused	X
Bit 4	—	Unused	X
Bit 3	—	Unused	X
Bit 2	—	Unused	X
Bit 1	—	Unused	X
Bit 0	—	Unused	X

Any write to the TAPI Counters Update Register (address 0X03H) or to the Master Configuration Register (0000H) will trigger the transfer of all counter values to their holding registers.

Register 1284H, 1684H, 1A84H, and 1E84H: TAPI Path Interrupt Status

Bit	Type	Function	Default
Bit 15	—	Unused	X
Bit 14	—	Unused	X
Bit 13	—	Unused	X
Bit 12	—	Unused	X
Bit 11	R	P_INT[12]	X
Bit 10	R	P_INT[11]	X
Bit 9	R	P_INT[10]	X
Bit 8	R	P_INT[9]	X
Bit 7	R	P_INT[8]	X
Bit 6	R	P_INT[7]	X
Bit 5	R	P_INT[6]	X
Bit 4	R	P_INT[5]	X
Bit 3	R	P_INT[4]	X
Bit 2	R	P_INT[3]	X
Bit 1	R	P_INT[2]	X
Bit 0	R	P_INT[1]	X

The TAPI Path Interrupt Status Register is provided at TAPI read address 1284H, 1684H, 1A84H, and 1E84H.

P_INT[1:12]

The Path Interrupt Status bit (P_INT[1:12]) tells which path(s) have interrupts that are still active. Reading from this register will not clear any of the interrupts, it is simply added to reduce the average number of accesses required to service interrupts.

Register 1285H, 1685H, 1A85H, and 1E85H: TAPI Pointer Concatenation Processing Disable

Bit	Type	Function	Default
Bit 15	—	Unused	X
Bit 14	—	Unused	X
Bit 13	—	Unused	X
Bit 12	—	Unused	X
Bit 11	R/W	PTRCDIS[12]	0
Bit 10	R/W	PTRCDIS[11]	0
Bit 9	R/W	PTRCDIS[10]	0
Bit 8	R/W	PTRCDIS[9]	0
Bit 7	R/W	PTRCDIS[8]	0
Bit 6	R/W	PTRCDIS[7]	0
Bit 5	R/W	PTRCDIS[6]	0
Bit 4	R/W	PTRCDIS[5]	0
Bit 3	R/W	PTRCDIS[4]	0
Bit 2	R/W	PTRCDIS[3]	0
Bit 1	R/W	PTRCDIS[2]	0
Bit 0	R/W	PTRCDIS[1]	0

The Pointer Concatenation processing Disable Register is provided at TAPI read/write address 1285H, 1685H, 1A85H, and 1E85H.

PTRCDIS[1:12]

The concatenation pointer processing disable (PTRCDIS[1:12]) bits disable the path concatenation pointer interpreter state machine. When PTRCDIS[n] is set to logic 1, the path concatenation pointer interpreter state-machine (for the path n) is disabled and excluded from the LOPC-P, AISC-P and ALLAISC-P defect declaration. When PTRCDIS is set to logic 0, the path concatenation pointer interpreter state-machine is enabled and included in the LOPC-P, AISC-P and ALLAISC-P defect declaration.

Register 1288H, 1688H, 1A88H and 1E88H: TAPI Pointer Interpreter Status(STS1/STM0 #1)

Register 1290H, 1690H, 1A90H and 1E90H: (STS1/STM0 #2)

Register 1298H, 1698H, 1A98H and 1E98H: (STS1/STM0 #3)

Register 12A0H, 16A0H, 1AA0H and 1EA0H: (STS1/STM0 #4)

Register 12A8H, 16A8H, 1AA8H and 1EA8H: (STS1/STM0 #5)

Register 12B0H, 16B0H, 1AB0H and 1EB0H: (STS1/STM0 #6)

Register 12B8H, 16B8H, 1AB8H and 1EB8H: (STS1/STM0 #7)

Register 12C0H, 16C0H, 1AC0H and 1EC0H: (STS1/STM0 #8)

Register 12C8H, 16C8H, 1AC8H and 1EC8H: (STS1/STM0 #9)

Register 12D0H, 16D0H, 1AD0H and 1ED0H: (STS1/STM0 #10)

Register 12D8H, 16D8H, 1AD8H and 1ED8H: (STS1/STM0 #11)

Register 12E0H, 16E0H, 1AE0H and 1EE0H: (STS1/STM0 #12)

Bit	Type	Function	Default
Bit 15	—	Unused	X
Bit 14	—	Unused	X
Bit 13	—	Unused	X
Bit 12	—	Unused	X
Bit 11	—	Unused	X
Bit 10	—	Unused	X
Bit 9	—	Unused	X
Bit 8	—	Unused	X
Bit 7	—	Unused	X
Bit 6	—	Unused	X
Bit 5	R	PAISCV	X
Bit 4	R	PLOPCV	X
Bit 3	R	PAISV	X
Bit 2	R	PLOPV	X
Bit 1	—	Unused	X
Bit 0	—	Unused	X

The Pointer Interpreter Status Register is provided at TAPI read/write addresses 08H, 10H, 18H, 20H, 28H, 30H, 38H, 40H, 48H, 50H, 58H and 60H.

PLOPV

The path lost of pointer state (PLOPV) bit indicates the current status of the pointer interpreter state machine. PLOPV is set to logic 1 when the state machine is in the LOP_state. PLOPV is set to logic 0 when the state machine is not in the LOP_state.

PAISV

The path alarm indication signal state (PAISV) bit indicates the current status of the pointer interpreter state machine. PAISV is set to logic 1 when the state machine is in the AIS_state. PAISV is set to logic 0 when the state machine is not in the AIS_state.

PLOPCV

The path lost of pointer concatenation state (PLOPCV) bit indicates the current status of the concatenation pointer interpreter state machine. PLOPCV is set to logic 1 when the state machine is in the LOPC_state. PLOPCV is set to logic 0 when the state machine is not in the LOPC_state.

PAISCV

The path concatenation alarm indication signal state (PAISCV) bit indicates the current status of the concatenation pointer interpreter state machine. PAISCV is set to logic 1 when the state machine is in the AISC_state. PAISCV is set to logic 0 when the state machine is not in the LOPC_state.

Register 1289H, 1689H, 1A89H and 1E89H: TAPI Pointer Interpreter Interrupt Enable (STS1/STM0 #1)

Register 1291H, 1691H, 1A91H and 1E91H: (STS1/STM0 #2)

Register 1299H, 1699H, 1A99H and 1E99H: (STS1/STM0 #3)

Register 12A1H, 16A1H, 1AA1H and 1EA1H: (STS1/STM0 #4)

Register 12A9H, 16A9H, 1AA9H and 1EA9H: (STS1/STM0 #5)

Register 12B1H, 16B1H, 1AB1H and 1EB1H: (STS1/STM0 #6)

Register 12B9H, 16B9H, 1AB9H and 1EB9H: (STS1/STM0 #7)

Register 12C1H, 16C1H, 1AC1H and 1EC1H: (STS1/STM0 #8)

Register 12C9H, 16C9H, 1AC9H and 1EC9H: (STS1/STM0 #9)

Register 12D1H, 16D1H, 1AD1H and 1ED1H: (STS1/STM0 #10)

Register 12D9H, 16D9H, 1AD9H and 1ED9H: (STS1/STM0 #11)

Register 12E1H, 16E1H, 1AE1H and 1EE1H: (STS1/STM0 #12)

Bit	Type	Function	Default
Bit 15	—	Unused	X
Bit 14	—	Unused	X
Bit 13	—	Unused	X
Bit 12	—	Unused	X
Bit 11	—	Unused	X
Bit 10	—	Unused	X
Bit 9	—	Unused	X
Bit 8	—	Unused	X
Bit 7	—	Unused	X
Bit 6	—	Unused	X
Bit 5	R/W	PAISCE	0
Bit 4	R/W	PLOPCE	0
Bit 3	R/W	PAISE	0
Bit 2	R/W	PLOPE	0
Bit 1	—	Unused	X
Bit 0	R/W	PTRJEE	0

The Pointer Interpreter Interrupt Enable Register is provided at TAPI read/write addresses 09H, 11H, 19H, 21H, 29H, 31H, 39H, 41H, 49H, 51H, 59H and 61H.

PTRJEE

The pointer justification event interrupt enable (PTRJEE) bit control the activation of the interrupt output. When PTRJEE is set to logic 1, the NJEI and PJEI pending interrupt will assert the interrupt output. When PTRJEE is set to logic 0, the NJEI and PJEI pending interrupt will not assert the interrupt output.

PLOPE

The path loss of pointer interrupt enable (PLOPE) bit controls the activation of the interrupt output. When PLOPE is set to logic 1, the PLOPI pending interrupt will assert the interrupt output. When PLOPE is set to logic 0, the PLOPI pending interrupt will not assert the interrupt output.

PAISE

The path alarm indication signal interrupt enable (PAISE) bit controls the activation of the interrupt output. When PAISE is set to logic 1, the PAISI pending interrupt will assert the interrupt output. When PAISE is set to logic 0, the PAISI pending interrupt will not assert the interrupt output.

PLOPCE

The path loss of pointer concatenation interrupt enable (PLOPCE) bit controls the activation of the interrupt output. When PLOPCE is set to logic 1, the PLOPCI pending interrupt will assert the interrupt output. When PLOPCE is set to logic 0, the PLOPCI pending interrupt will not assert the interrupt output.

PAISCE

The path concatenation alarm indication signal interrupt enable (PAISCE) bit controls the activation of the interrupt output. When PAISCE is set to logic 1, the PAISCI pending interrupt will assert the interrupt output. When PAISCE is set to logic 0, the PAISCI pending interrupt will not assert the interrupt output.

Register 128AH, 168AH, 1A8AH and 1E8AH: TAPI Pointer Interpreter Interrupt Status (STS1/STM0 #1)

Register 1292H, 1692H, 1A92H and 1E92H: (STS1/STM0 #2)

Register 129AH, 169AH, 1A9AH and 1E9AH: (STS1/STM0 #3)

Register 12A2H, 16A2H, 1AA2H and 1EA2H: (STS1/STM0 #4)

Register 12AAH, 16AAH, 1AAAH and 1EAAH: (STS1/STM0 #5)

Register 12B2H, 16B2H, 1AB2H and 1EB2H: (STS1/STM0 #6)

Register 12BAH, 16BAH, 1ABAH and 1EBAH: (STS1/STM0 #7)

Register 12C2H, 16C2H, 1AC2H and 1EC2H: (STS1/STM0 #8)

Register 12CAH, 16CAH, 1ACAH and 1ECAH: (STS1/STM0 #9)

Register 12D2H, 16D2H, 1AD2H and 1ED2H: (STS1/STM0 #10)

Register 12DAH, 16DAH, 1ADAH and 1EDAH: (STS1/STM0 #11)

Register 12E2H, 16E2H, 1AE2H and 1EE2H: (STS1/STM0 #12)

Bit	Type	Function	Default
Bit 15	—	Unused	X
Bit 14	—	Unused	X
Bit 13	—	Unused	X
Bit 12	—	Unused	X
Bit 11	—	Unused	X
Bit 10	—	Unused	X
Bit 9	—	Unused	X
Bit 8	—	Unused	X
Bit 7	—	Unused	X
Bit 6	—	Unused	X
Bit 5	R	PAISCI	X
Bit 4	R	PLOPCI	X
Bit 3	R	PAISI	X
Bit 2	R	PLOPI	X
Bit 1	R	PJEI	X
Bit 0	R	NJEI	X

The Pointer Interpreter Interrupt Status Register is provided at TAPI read/write addresses 0AH, 12H, 1AH, 22H, 2AH, 32H, 3AH, 42H, 4AH, 52H, 5AH and 62H.

NJEI

The negative pointer justification event interrupt status (NJEI) bit is an event indicator. NJEI is set to logic 1 to indicate a negative pointer justification event. The interrupt status bit is independent of the interrupt enable bit. NJEI is cleared to logic 0 when this register is read.

PJEI

The positive pointer justification event interrupt status (PJEI) bit is an event indicator. PJEI is set to logic 1 to indicate a positive pointer justification event. The interrupt status bit is independent of the interrupt enable bit. PJEI is cleared to logic 0 when this register is read.

PLOPI

The path loss of pointer interrupt status (PLOPI) bit is an event indicator. PLOPI is set to logic 1 to indicate any change in the status of PLOPV (entry to the LOP_state or exit from the LOP_state). The interrupt status bit is independent of the interrupt enable bit. PLOPI is cleared to logic 0 when this register is read.

PAISI

The path alarm indication signal interrupt status (PAISI) bit is an event indicator. PAISI is set to logic 1 to indicate any change in the status of PAISV (entry to the AIS_state or exit from the AIS_state). The interrupt status bit is independent of the interrupt enable bit. PAISI is cleared to logic 0 when this register is read.

PLOPCI

The path loss of pointer concatenation interrupt status (PLOPCI) bit is an event indicator. PLOPCI is set to logic 1 to indicate any change in the status of PLOPCV (entry to the LOPC_state or exit from the LOPC_state). The interrupt status bit is independent of the interrupt enable bit. PLOPCI is cleared to logic 0 when this register is read.

PAISCI

The path concatenation alarm indication signal interrupt status (PAISCI) bit is an event indicator. PAISCI is set to logic 1 to indicate any change in the status of PAISCV (entry to the AISC_state or exit from the AISC_state). The interrupt status bit is independent of the interrupt enable bit. PAISCI is cleared to logic 0 when this register is read.

Register 128BH, 168BH, 1A8BH and 1E8BH: TAPI Error Monitor Status (STS1/STM0 #1)
 Register 1293H, 1693H, 1A93H and 1E93H: (STS1/STM0 #2)
 Register 129BH, 169BH, 1A9BH and 1E9BH: (STS1/STM0 #3)
 Register 12A3H, 16A3H, 1AA3H and 1EA3H: (STS1/STM0 #4)
 Register 12ABH, 16ABH, 1AABH and 1EABH: (STS1/STM0 #5)
 Register 12B3H, 16B3H, 1AB3H and 1EB3H: (STS1/STM0 #6)
 Register 12BBH, 16BBH, 1ABBH and 1EBBH: (STS1/STM0 #7)
 Register 12C3H, 16C3H, 1AC3H and 1EC3H: (STS1/STM0 #8)
 Register 12CBH, 16CBH, 1ACBH and 1ECBH: (STS1/STM0 #9)
 Register 12D3H, 16D3H, 1AD3H and 1ED3H: (STS1/STM0 #10)
 Register 12DBH, 16DBH, 1ADBH and 1EDBH: (STS1/STM0 #11)
 Register 12E3H, 16E3H, 1AE3H and 1EE3H: (STS1/STM0 #12)

Bit	Type	Function	Default
Bit 15	—	Unused	X
Bit 14	—	Unused	X
Bit 13	—	Unused	X
Bit 12	—	Unused	X
Bit 11	—	Unused	X
Bit 10	—	Unused	X
Bit 9	—	Unused	X
Bit 8	—	Unused	X
Bit 7	—	Unused	X
Bit 6	R	PERDIV	X
Bit 5	R	PRDIV	X
Bit 4	R	PPDIV	X
Bit 3	R	PUNEQV	X
Bit 2	R	PPLMV	X
Bit 1	R	PPLUV	X
Bit 0	—	Unused	X

The Error Monitor Status Register is provided at TAPI read/write addresses 0BH, 13H, 1BH, 23H, 2BH, 33H, 3BH, 43H, 4BH, 53H, 5BH and 63H.

Note: The Error Monitor Status bits are don't care for slave time slots.

PPLUV

The path payload label unstable status (PPLUV) bit indicates the current status of the PLU-P defect.

Algorithm 1: PPLUV is set to logic 0.

Algorithm 2: PPLUV is set to logic 1 when a total of 5 received PSL differs from the previously accepted PSL without any persistent PSL in between. PPLUV is set to logic 0 when a persistent PSL is found. A persistent PSL is found when the same PSL is received for 3 or 5 consecutive frames.

PPLMV

The path payload label mismatch status (PPLMV) bit indicates the current status of the PLM-P defect.

Algorithm 1: PPLMV is set to logic 1 when the received PSL does not match, according to Table 3, the expected PSL for 3 or 5 consecutive frames (selectable with the PSL5 register bit). PPLMV is set to logic 0 when the received PSL matches, according to Table 3, the expected PSL for 3 or 5 consecutive frames.

Algorithm 2: PPLMV is set to logic 1 when the accepted PSL does not match, according to Table 3, the expected PSL. PPLMV is set to logic 0 when the accepted PSL matches, according to Table 3, the expected PSL.

PUNEQV

The path unequipped status (PUNEQV) bit indicates the current status of the UNEQ-P defect.

PUNEQV is set to logic 1 when the received PSL indicates unequipped, according to Table 3, for 3 or 5 consecutive frames (selectable with the PSL5 register bit). An PUNEQV is set to logic 0 when the received PSL indicates not unequipped, according to Table 3, for 3 or 5 consecutive frames.

PPDIV

The path payload defect indication status (PPDIV) bit indicates the current status of the PPDI-P defect.

Algorithm 1: PPDIV is set to logic 1 when the received PSL is a defect, according to Table 3, for 3 or 5 consecutive frames (selectable with the PSL5 register bit). PPDIV is set to logic 0 when the received PSL is not a defect, according to Table 3, for 3 or 5 consecutive frames.

Algorithm 2: PPDIV is set to logic 1 when the accepted PSL is a defect, according to Table 3. PPDIV is set to logic 0 when the accepted PSL is not a defect, according to Table 3.

PRDIV

The path remote defect indication status (PRDIV) bit indicates the current status of the RDI-P defect. PRDIV is set to logic 1 when bit 5 of the G1 byte is set high for five or ten consecutive frames (selectable with the PRDI10 register bit). PRDIV is set to logic 0 when bit 5 of the G1 byte is set low for five or ten consecutive frames.

PERDIV

The path enhanced remote defect indication status (PERDIV) bit indicates the current status of the ERDI-P defect. PERDIV is set to logic 1 when the same 010, 100, 101, 110 or 111 pattern is detected in bits 5, 6 and 7 of the G1 byte for five or ten consecutive frames (selectable with the PRDI10 register bit). PERDIV is set to logic 0 when the same 000, 001 or 011 pattern is detected in bits 5, 6 and 7 of the G1 byte for five or ten consecutive frames.

Register 128CH, 168CH, 1A8CH and 1E8CH: TAPI Error Monitor Interrupt Enable (STS1/STM0 #1)

Register 1294H, 1694H, 1A94H and 1E94H: (STS1/STM0 #2)

Register 129CH, 169CH, 1A9CH and 1E9CH: (STS1/STM0 #3)

Register 12A4H, 16A4H, 1AA4H and 1EA4H: (STS1/STM0 #4)

Register 12ACH, 16ACH, 1AACH and 1EACH: (STS1/STM0 #5)

Register 12B4H, 16B4H, 1AB4H and 1EB4H: (STS1/STM0 #6)

Register 12BCH, 16BCH, 1ABCH and 1EBCH: (STS1/STM0 #7)

Register 12C4H, 16C4H, 1AC4H and 1EC4H: (STS1/STM0 #8)

Register 12CCH, 16CCH, 1ACCH and 1ECCH: (STS1/STM0 #9)

Register 12D4H, 16D4H, 1AD4H and 1ED4H: (STS1/STM0 #10)

Register 12DCH, 16DCH, 1ADCH and 1EDCH: (STS1/STM0 #11)

Register 12E4H, 16E4H, 1AE4H and 1EE4H: (STS1/STM0 #12)

Bit	Type	Function	Default
Bit 15	—	Unused	X
Bit 14	—	Unused	X
Bit 13	—	Unused	X
Bit 12	—	Unused	X
Bit 11	—	Unused	X
Bit 10	—	Unused	X
Bit 9	R/W	PREIEE	0
Bit 8	R/W	PBIPEE	0
Bit 7	R/W	COPERDIE	0
Bit 6	R/W	PERDIE	0
Bit 5	R/W	PRDIE	0
Bit 4	R/W	PPDIE	0
Bit 3	R/W	PUNEQE	0
Bit 2	R/W	PPLME	0
Bit 1	R/W	PPLUE	0
Bit 0	R/W	COPSLE	0

The Error Monitor Interrupt Enable Register is provided at TAPI read/write addresses 0CH, 14H, 1CH, 24H, 2CH, 34H, 3CH, 44H, 4CH, 54H, 5CH and 64H.

COPSLE

The change of path payload signal label interrupt enable (COPSLE) bit controls the activation of the interrupt output. When COPSLE is set to logic 1, the COPSLE pending interrupt will assert the interrupt output. When COPSLE is set to logic 0, the COPSLE pending interrupt will not assert the interrupt output.

PPLUE

The path payload label unstable interrupt enable (PPLUE) bit controls the activation of the interrupt output. When PPLUE is set to logic 1, the PPLUI pending interrupt will assert the interrupt output. When PPLUE is set to logic 0, the PPLUI pending interrupt will not assert the interrupt output.

PPLME

The path payload label mismatch interrupt enable (PPLME) bit controls the activation of the interrupt output. When PPLME is set to logic 1, the PPLMI pending interrupt will assert the interrupt output. When PPLME is set to logic 0, the PPLMI pending interrupt will not assert the interrupt output.

PUNEQE

The path payload unequipped interrupt enable (PUNEQE) bit controls the activation of the interrupt output. When PUNEQE is set to logic 1, the PUNEQI pending interrupt will assert the interrupt output. When PUNEQE is set to logic 0, the PUNEQI pending interrupt will not assert the interrupt output.

PPDIE

The path payload defect indication interrupt enable (PPDIE) bit controls the activation of the interrupt output. When PPDIE is set to logic 1, the PPDI pending interrupt will assert the interrupt output. When PPDIE is set to logic 0, the PPDI pending interrupt will not assert the interrupt output.

PRDIE

The path remote defect indication interrupt enable (PRDIE) bit controls the activation of the interrupt output. When PRDIE is set to logic 1, the PRDII pending interrupt will assert the interrupt output. When PRDIE is set to logic 0, the PRDII pending interrupt will not assert the interrupt output.

PERDIE

The path enhanced remote defect indication interrupt enable (PERDIE) bit controls the activation of the interrupt output. When PERDIE is set to logic 1, the PERDII pending interrupt will assert the interrupt output. When PERDIE is set to logic 0, the PERDII pending interrupt will not assert the interrupt output.

COPERDIE

The change of path enhanced remote defect indication interrupt enable (COPERDIE) bit controls the activation of the interrupt output. When COPERDIE is set to logic 1, the COPERDII pending interrupt will assert the interrupt output. When COPERDIE is set to logic 0, the COPERDII pending interrupt will not assert the interrupt output.

PBIPEE

The path BIP-8 error interrupt enable (PBIPEE) bit controls the activation of the interrupt output. When PBIPEE is set to logic 1, the PBIPEI pending interrupt will assert the interrupt output. When PBIPEE is set to logic 0, the PBIPEI pending interrupt will not assert the interrupt output.

PREIEE

The path REI error interrupt enable (PREIEE) bit controls the activation of the interrupt output. When PREIEE is set to logic 1, the PREIEI pending interrupt will assert the interrupt output. When PREIEE is set to logic 0, the PREIEI pending interrupt will not assert the interrupt output.

Register 128DH, 168DH, 1A8DH and 1E8DH: TAPI Error Monitor Interrupt Status (STS1/STM0 #1)

Register 1295H, 1695H, 1A95H and 1E95H: (STS1/STM0 #2)

Register 129DH, 169DH, 1A9DH and 1E9DH: (STS1/STM0 #3)

Register 12A5H, 16A5H, 1AA5H and 1EA5H: (STS1/STM0 #4)

Register 12ADH, 16ADH, 1AADH and 1EADH: (STS1/STM0 #5)

Register 12B5H, 16B5H, 1AB5H and 1EB5H: (STS1/STM0 #6)

Register 12BDH, 16BDH, 1ABDH and 1EBDH: (STS1/STM0 #7)

Register 12C5H, 16C5H, 1AC5H and 1EC5H: (STS1/STM0 #8)

Register 12CDH, 16CDH, 1ACDH and 1ECDH: (STS1/STM0 #9)

Register 12D5H, 16D5H, 1AD5H and 1ED5H: (STS1/STM0 #10)

Register 12DDH, 16DDH, 1ADDH and 1EDDH: (STS1/STM0 #11)

Register 12E5H, 16E5H, 1AE5H and 1EE5H: (STS1/STM0 #12)

Bit	Type	Function	Default
Bit 15	—	Unused	X
Bit 14	—	Unused	X
Bit 13	—	Unused	X
Bit 12	—	Unused	X
Bit 11	—	Unused	X
Bit 10	—	Unused	X
Bit 9	R	PREIEI	X
Bit 8	R	PBIPEI	X
Bit 7	R	COPERDII	X
Bit 6	R	PERDII	X
Bit 5	R	PRDII	X
Bit 4	R	PPDII	X
Bit 3	R	PUNEQI	X
Bit 2	R	PPLMI	X
Bit 1	R	PPLUI	X
Bit 0	R	COPSLI	X

The Error Monitor Interrupt Status Register is provided at TAPI read/write addresses 0DH, 15H, 1DH, 25H, 2DH, 35H, 3DH, 45H, 4DH, 55H, 5DH and 65H.

COPSLI

The change of path payload signal label interrupt status (COPSLI) bit is an event indicator. COPSLI is set to logic 1 to indicate a new PSL-P value. The interrupt status bit is independent of the interrupt enable bit. COPSLI is cleared to logic 0 when this register is read. ALGO2 register bit has no effect on COPSLI.

PPLUI

The path payload label unstable interrupt status (PPLUI) bit is an event indicator. PPLUI is set to logic 1 to indicate any change in the status of PPLUV (stable to unstable or unstable to stable). The interrupt status bit is independent of the interrupt enable bit. PPLUI is cleared to logic 0 when this register is read.

PPLMI

The path payload label mismatch interrupt status (PPLMI) bit is an event indicator. PPLMI is set to logic 1 to indicate any change in the status of PPLMV (match to mismatch or mismatch to match). The interrupt status bit is independent of the interrupt enable bit. PPLMI is cleared to logic 0 when this register is read.

PUNEQI

The path payload unequipped interrupt status (PUNEQI) bit is an event indicator. PUNEQI is set to logic 1 to indicate any change in the status of PUNEQV (equipped to unequipped or unequipped to equipped). The interrupt status bit is independent of the interrupt enable bit. PUNEQI is cleared to logic 0 when this register is read.

PPDII

The path payload defect indication interrupt status (PPDII) bit is an event indicator. PPDII is set to logic 1 to indicate any change in the status of PPDIV (no defect to payload defect or payload defect to no defect). The interrupt status bit is independent of the interrupt enable bit. PPDII is cleared to logic 0 when this register is read.

PRDII

The path remote defect indication interrupt status (PRDII) bit is an event indicator. PRDII is set to logic 1 to indicate any change in the status of PRDIV (no defect to RDI defect or RDI defect to no defect). The interrupt status bit is independent of the interrupt enable bit. PRDII is cleared to logic 0 when this register is read.

PERDII

The path enhanced remote defect indication interrupt status (PERDII) bit is an event indicator. PERDII is set to logic 1 to indicate any change in the status of PERDIV (no defect to ERDI defect or ERDI defect to no defect). The interrupt status bit is independent of the interrupt enable bit. PERDII is cleared to logic 0 when this register is read.

COPERDII

The change of path enhanced remote defect indication interrupt status (COPERDII) bit is an event indicator. COPERDII is set to logic 1 to indicate a new ERDI-P value. The interrupt status bit is independent of the interrupt enable bit. COPERDII is cleared to logic 0 when this register is read.

PBIPEI

The path BIP-8 error interrupt status (PBIPEI) bit is an event indicator. PBIPEI is set to logic 1 to indicate a path BIP-8 error. The interrupt status bit is independent of the interrupt enable bit. PBIPEI is cleared to logic 0 when this register is read.

PREIEI

The path REI error interrupt status (PREIEI) bit is an event indicator. PREIEI is set to logic 1 to indicate a path REI error. The interrupt status bit is independent of the interrupt enable bit. PREIEI is cleared to logic 0 when this register is read.

Indirect Register 00H: TAPI Pointer Interpreter Configuration

Bit	Type	Function	Default
Bit 15	—	Unused	X
Bit 14	—	Unused	X
Bit 13	—	Unused	X
Bit 12	—	Unused	X
Bit 11	—	Unused	X
Bit 10	—	Unused	X
Bit 9	—	Unused	X
Bit 8	—	Unused	X
Bit 7	R/W	Reserved	0
Bit 6	R/W	TAPIBYPASS	0
Bit 5	R/W	NDFCNT	0
Bit 4	R/W	INVCNT	0
Bit 3	R/W	RELAYPAIS	0
Bit 2	R/W	JUST3DIS	0
Bit 1	R/W	SSEN	0
Bit 0	—	Unused	X

The Pointer Interpreter Configuration Indirect Register is provided at TAPI read/write indirect address 00H.

SSEN

The SS bits enable (SSEN) bit selects whether or not the SS bits are taking into account in the pointer interpreter state machine. When SSEN is set to logic 1, the SS bits must be set to 10 for a valid NORM_POINT, NDF_ENABLE, INC_IND, DEC_IND or NEW_POINT indication. When SSEN is set to logic 0, the SS bits are ignored.

JUST3DIS

The “justification more than 3 frames ago disable” (JUST3DIS) bit selects whether or not the INC_IND or DEC_IND pointer justifications must be more than 3 frames apart to be considered valid. When JUST3DIS is set to logic 0, the previous NDF_ENABLE, INC_IND or DEC_IND indication must be more than 3 frames ago or the present INC_IND or DEC_IND indication is considered an INV_POINT indication. NDF_ENABLE indications can be every frame regardless of the JUST3DIS bit. When JUST3DIS is set to logic 1, INC_IND or DEC_IND indication can be every frame.

RELAYPAIS

The relay path AIS (RELAYPAIS) bit selects the condition to enter the path AIS state in the pointer interpreter state machine. When RELAYPAIS is set to logic 1, the path AIS state is entered with 1 X AIS_ind indication. When RELAYPAIS is set to logic 0, the path AIS state is entered with 3 X AIS_ind indications. This configuration bit also affects the concatenation pointer interpreter state machine.

INVCNT

The invalid counter (INVCNT) bit selects the behavior of the consecutive INV_POINT event counter in the pointer interpreter state machine. When INVCNT is set to logic 1, the consecutive INV_POINT event counter is reset by 3 EQ_NEW_POINT indications. When INVCNT is set to logic 0, the counter is not reset by 3 EQ_NEW_POINT indications.

NDFCNT

The new data flag counter (NDFCNT) bit selects the behavior of the consecutive NDF_ENABLE event counter in the pointer interpreter state machine. When NDFCNT is set to logic 1, the NDF_ENABLE definition is enabled NDF + SS. When NDFCNT is set to logic 0, the NDF_ENABLE definition is enabled NDF + SS + offset value in the range 0 to 782 (764 in TU-3 mode). This configuration bit only changes the NDF_ENABLE definition for the consecutive NDF_ENABLE even counter to count towards LOP-P defect when the pointer is out of range, this configuration bit does not change the NDF_ENABLE definition for pointer justification.

TAPIBYPASS

The transmit add bus pointer interpreter bypass (TAPIBYPASS) bit disables the pointer interpreter on a per STS-1/STM-0 basis. When a logic 1 is written to TAPIBYPASS, the add bus pointer interpreter is disabled for the corresponding STS-1/STM-0. When a logic 0 is written to TAPIBYPASS, the add bus pointer interpreter is enabled for the corresponding STS-1/STM-0.

Reserved

The reserved bit must be programmed to its default value for proper operation.

Indirect Register 01H: TAPI Error Monitor Configuration

Bit	Type	Function	Default
Bit 15	—	Unused	X
Bit 14	—	Unused	X
Bit 13	—	Unused	X
Bit 12	—	Unused	X
Bit 11	R/W	Reserved	0
Bit 10	R/W	IPREIBLK	0
Bit 9	R/W	IBER	0
Bit 8	R/W	PREIBLKACC	0
Bit 7	R/W	Reserved	0
Bit 6	R/W	Reserved	0
Bit 5	R/W	PBIPEBLKACC	0
Bit 4	R/W	FSBIPDIS	0
Bit 3	R/W	PRDI10	0
Bit 2	R/W	PLMEND	0
Bit 1	R/W	PSL5	0
Bit 0	R/W	ALGO2	0

The Error Monitor Configuration Indirect Register is provided at TAPI read/write indirect address 01H.

ALGO2

The payload signal label algorithm 2 (ALGO2) bit selects the algorithm for the PSL monitoring. When ALGO2 is set to logic 1, the ITU compliant algorithm is (algorithm 2) is used to monitor the PSL. When ALGO2 is set to logic 0, the BELLCORE compliant algorithm (algorithm 1) is used to monitor the PSL. ALGO2 changes the PLU-P, PLM-P and PDI-P defect definitions but has no effect on UNEQ-P defect, accepted PSL and change of PSL definitions

PSL5

The payload signal label detection (PSL5) bit selects the path PSL persistence. When PSL5 is set to logic 1, a new PSL is accepted when the same PSL value is detected in the C2 byte for five consecutive frames. When PSL5 is set to logic 0, a new PSL is accepted when the same PSL value is detected in the C2 byte for three consecutive frames.

PLMEND

The payload label mismatch removal (PLMEND) bit controls the removal of a PLM-P defect when an UNEQ-P defect is declared. When PLMEND is set to logic 1, a PLM-P defect is terminated when an UNEQ-P defect is declared. When PLMEND is set to logic 0, a PLM-P defect is not terminated when an UNEQ-P defect is declared.

PRDI10

The path remote defect indication detection (PRDI10) bit selects the path RDI and path ERDI persistence. When PRDI10 is set to logic 1, path RDI and path ERDI are accepted when the same pattern is detected in bits 5,6,7 of the G1 byte for ten consecutive frames. When PRDI10 is set to logic 0, path RDI and path ERDI are accepted when the same pattern is detected in bits 5,6,7 of the G1 byte for five consecutive frames.

FSBIPDIS

The disable fixed stuff columns during BIP-8 calculation (FSBIPDIS) bit controls the path BIP-8 calculation for an STS-1 (VC-3) payload. When FSBIPDIS is set to logic 1, the fixed stuff columns are not part of the BIP-8 calculation when processing an STS-1 (VC-3) payload. When FSBIPDIS is set to logic 0, the fixed stuff columns are part of the BIP-8 calculation when processing an STS-1 (VC-3) payload.

PBIPEBLKACC

The path block BIP-8 errors accumulation (PBIPEBLKACC) bit controls the accumulation of path BIP-8 errors. When PBIPEBLKACC is set to logic 1, the path BIP-8 error accumulation represents block BIP-8 errors (a maximum of 1 error per frame). When PBIPEBLKACC is set to logic 0, the path BIP-8 error accumulation represents BIP-8 errors (a maximum of 8 errors per frame).

Reserved

The reserved bits must be programmed to their default values for proper operation.

PREIBLKACC

The path block REI errors accumulation (PREIBLKACC) bit controls the accumulation of path REI errors from the path status (G1) byte. When PREIBLK is set to logic 1, the extracted path REI errors are interpreted as block BIP-8 errors (a maximum of 1 error per frame). When PREIBLK is set to logic 0, the extracted path REI errors are interpreted as BIP-8 errors (a maximum of 8 errors per frame).

IBER

The in-band error reporting (IBER) bit controls the in-band regeneration of the path status (G1) byte. When IBER is set to logic 1, the path status byte is updated with the REI-P and the ERDI-P defects that must be returned to the far end. When IBER is set to logic 0, the path status byte is not altered.

IPREIBLK

The in-band path REI block errors (IPREIBLK) bit controls the regeneration of the path REI errors in the path status (G1) byte. When IPREIBLK is set to logic 1, the path REI is updated with block BIP-8 errors (a maximum of 1 error per frame). When IPREIBLK is set to logic 0, the path REI is updated with BIP-8 errors (a maximum of 8 errors per frame).

Downloaded by Content Team of Partminer Inc on Thursday, 27 April, 2006 09:55:31 AM

Indirect Register 02H: TAPI Pointer Value and ERDI

Bit	Type	Function	Default
Bit 15	R	PERDIV[2]	X
Bit 14	R	PERDIV[1]	X
Bit 13	R	PERDIV[0]	X
Bit 12	—	Unused	X
Bit 11	R	SSV[1]	X
Bit 10	R	SSV[0]	X
Bit 9	R	PTRV[9]	X
Bit 8	R	PTRV[8]	X
Bit 7	R	PTRV[7]	X
Bit 6	R	PTRV[6]	X
Bit 5	R	PTRV[5]	X
Bit 4	R	PTRV[4]	X
Bit 3	R	PTRV[3]	X
Bit 2	R	PTRV[2]	X
Bit 1	R	PTRV[1]	X
Bit 0	R	PTRV[0]	X

The Pointer Value Indirect Register is provided at TAPI read/write address 02H.

PTRV[9:0]

The path pointer value (PTRV[9:0]) bits represent the current STS (AU or TU3) pointer being process by the pointer interpreter state machine or by the concatenation pointer interpreter state machine.

SSV[1:0]

The SS value (SSV[1:0]) bits represent the current SS (DD) bits being processed by the pointer interpreter state machine or by the concatenation pointer interpreter state machine.

PERDIV[2:0]

The path enhanced remote defect indication value (PERDIV[2:0]) bits represent the filtered path enhanced remote defect indication value. PERDIV[2:0] is updated when the same ERDI pattern is detected in bits 5,6,7 of the G1 byte for five or ten consecutive frames (selectable with the PRDI10 register bit).

Indirect Register 03H: TAPI Captured and Accepted PSL

Bit	Type	Function	Default
Bit 15	R	CPSLV[7]	X
Bit 14	R	CPSLV[6]	X
Bit 13	R	CPSLV[5]	X
Bit 12	R	CPSLV[4]	X
Bit 11	R	CPSLV[3]	X
Bit 10	R	CPSLV[2]	X
Bit 9	R	CPSLV[1]	X
Bit 8	R	CPSLV[0]	X
Bit 7	R	APSLV[7]	X
Bit 6	R	APSLV[6]	X
Bit 5	R	APSLV[5]	X
Bit 4	R	APSLV[4]	X
Bit 3	R	APSLV[3]	X
Bit 2	R	APSLV[2]	X
Bit 1	R	APSLV[1]	X
Bit 0	R	APSLV[0]	X

The Accepted PSL and ERDI Indirect Register is provided at TAPI read/write address 03H.

APSLV[7:0]

The accepted path signal label value (APSLV[7:0]) bits represent the last accepted path signal label value. A new PSL is accepted when the same PSL value is detected in the C2 byte for three or five consecutive frames. (selectable with the PSL5 register bit).

CPSLV[7:0]

The captured path signal label value (CPSLV[7:0]) bits represent the last captured path signal label value. A new PSL is captured every frame from the C2 byte.

Indirect Register 04H: TAPI Expected PSL and PDI

Bit	Type	Function	Default
Bit 15	—	Unused	X
Bit 14	—	Unused	X
Bit 13	R/W	PDIRANGE	0
Bit 12	R/W	PDI[4]	0
Bit 11	R/W	PDI[3]	0
Bit 10	R/W	PDI[2]	0
Bit 9	R/W	PDI[1]	0
Bit 8	R/W	PDI[0]	0
Bit 7	R/W	EPSL[7]	0
Bit 6	R/W	EPSL[6]	0
Bit 5	R/W	EPSL[5]	0
Bit 4	R/W	EPSL[4]	0
Bit 3	R/W	EPSL[3]	0
Bit 2	R/W	EPSL[2]	0
Bit 1	R/W	EPSL[1]	0
Bit 0	R/W	EPSL[0]	0

The Expected PSL and PDI Indirect Register is provided at TAPI read/write indirect address 04H.

EPSL[7:0]

The expected path signal label (EPSL[7:0]) bits represent the expected path signal label. The expected PSL and the expected PDI validate the received or the accepted PSL to declare PLM-P, UNEQ-P and PDI-P defects according Table 3.

PDI[4:0], PDIRANGE

The payload defect indication (PDI[4:0]) bits and the payload defect indication range (PDIRANGE) bit determine the expected payload defect indication according to Table 4. When PDIRANGE is set to logic 1, the PDI range is enabled and the expected PDI range is from E1H to E0H+PDI[4:0]. When PDIRANGE is set to logic 0, the PDI range is disabled and the expected PDI value is E0H+PDI[4:0]. The expected PSL and the expected PDI validate the received or the accepted PSL to declare PLM-P, UNEQ-P and PDI-P defects according Table 3.

Indirect Register 05H: TAPI Pointer Interpreter Status

Bit	Type	Function	Default
Bit 15	—	Unused	X
Bit 14	—	Unused	X
Bit 13	—	Unused	X
Bit 12	—	Unused	X
Bit 11	—	Unused	X
Bit 10	—	Unused	X
Bit 9	—	Unused	X
Bit 8	—	Unused	X
Bit 7	—	Unused	X
Bit 6	R	NDF	X
Bit 5	R	ILLPTR	X
Bit 4	R	INVNDF	X
Bit 3	R	DISCOPA	X
Bit 2	R	CONCAT	X
Bit 1	R	ILLJREQ	X
Bit 0	—	Unused	X

The Pointer Interpreter Status Indirect Register is provided at TAPI read/write indirect address 05H.

Note: The Pointer Interpreter Status bits are don't care for slave time slots.

ILLJREQ

The illegal pointer justification request (ILLJREQ) signal is set high when a positive and/or negative pointer adjustment is received within three frames of a pointer justification event (inc_ind, dec_ind) or an NDF triggered active offset adjustment (NDF_enable).

CONCAT

The CONCAT bit is set high if the H1 and H2 pointer bytes received match the concatenation indication (one of the five NDF_enable patterns in the NDF field, don't care in the size field, and all-ones in the pointer offset field).

DISCOPA

The discontinuous change of pointer alignment (DISCOPA) signal is set high when there is a pointer adjustment due to receiving a pointer repeated three times.

INVNDF

The invalid new data flag (INVNDF) signal is set high when an invalid NDF code is received.

ILLPTR

The illegal pointer offset (ILLPTR) signal is set high when the pointer received is out of the range. Legal values are from 0 to 782 (764 in TU3 mode). Pointer justification requests (inc_req, dec_req) and AIS indications (AIS_ind) are not considered illegal.

NDF

The new data flag (NDF) signal is set high when an enabled New Data Flag is received indicating a pointer adjustment (NDF_enabled indication).

Indirect Register 06H: TAPI Path BIP Error Counter

Bit	Type	Function	Default
Bit 15	R	PBIPE[15]	X
Bit 14	R	PBIPE[14]	X
Bit 13	R	PBIPE[13]	X
Bit 12	R	PBIPE[12]	X
Bit 11	R	PBIPE[11]	X
Bit 10	R	PBIPE[10]	X
Bit 9	R	PBIPE[9]	X
Bit 8	R	PBIPE[8]	X
Bit 7	R	PBIPE[7]	X
Bit 6	R	PBIPE[6]	X
Bit 5	R	PBIPE[5]	X
Bit 4	R	PBIPE[4]	X
Bit 3	R	PBIPE[3]	X
Bit 2	R	PBIPE[2]	X
Bit 1	R	PBIPE[1]	X
Bit 0	R	PBIPE[0]	X

The TAPI Path BIP Error Counter register is provided at TAPI read/write indirect address 06H.

PBIPE[15:0]

The path BIP error (PBIPE[15:0]) bits represent the number of path BIP errors that have been detected in the B3 byte since the last accumulation interval. The error counters are transferred to the holding registers by a microprocessor write to the TAPI Counters Update register.

Indirect Register 07H: TAPI Path REI Error Counter

Bit	Type	Function	Default
Bit 15	R	PREIE[15]	X
Bit 14	R	PREIE[14]	X
Bit 13	R	PREIE[13]	X
Bit 12	R	PREIE[12]	X
Bit 11	R	PREIE[11]	X
Bit 10	R	PREIE[10]	X
Bit 9	R	PREIE[9]	X
Bit 8	R	PREIE[8]	X
Bit 7	R	PREIE[7]	X
Bit 6	R	PREIE[6]	X
Bit 5	R	PREIE[5]	X
Bit 4	R	PREIE[4]	X
Bit 3	R	PREIE[3]	X
Bit 2	R	PREIE[2]	X
Bit 1	R	PREIE[1]	X
Bit 0	R	PREIE[0]	X

The TAPI Path BIP Error Counter register is provided at TAPI read/write indirect address 07H.

PREIE[15:0]

The path REI error (PREIE[15:0]) bits represent the number of path REI errors that have been extracted from the G1 byte since the last accumulation interval. The error counters are transferred to the holding registers by a microprocessor write to the TAPI Counters Update register.

Indirect Register 08H: TAPI Path Negative Justification Event Counter

Bit	Type	Function	Default
Bit 15	—	Unused	X
Bit 14	—	Unused	X
Bit 13	—	Unused	X
Bit 12	R	PNJE[12]	X
Bit 11	R	PNJE[11]	X
Bit 10	R	PNJE[10]	X
Bit 9	R	PNJE[9]	X
Bit 8	R	PNJE[8]	X
Bit 7	R	PNJE[7]	X
Bit 6	R	PNJE[6]	X
Bit 5	R	PNJE[5]	X
Bit 4	R	PNJE[4]	X
Bit 3	R	PNJE[3]	X
Bit 2	R	PNJE[2]	X
Bit 1	R	PNJE[1]	X
Bit 0	R	PNJE[0]	X

The TAPI Path Negative Justification Event Counter register is provided at TAPI read/write indirect address 08H.

PNJE[12:0]

The Path Negative Justification Event (PNJE[12:0]) bits represent the number of Path Negative Justification Events that have occurred since the last accumulation interval. The event counters are transferred to the holding registers by a microprocessor write to TAPI Counters Update register.

Indirect Register 09H: TAPI Path Positive Justification Event Counter

Bit	Type	Function	Default
Bit 15	—	Unused	X
Bit 14	—	Unused	X
Bit 13	—	Unused	X
Bit 12	R	PPJE[12]	X
Bit 11	R	PPJE[11]	X
Bit 10	R	PPJE[10]	X
Bit 9	R	PPJE[9]	X
Bit 8	R	PPJE[8]	X
Bit 7	R	PPJE[7]	X
Bit 6	R	PPJE[6]	X
Bit 5	R	PPJE[5]	X
Bit 4	R	PPJE[4]	X
Bit 3	R	PPJE[3]	X
Bit 2	R	PPJE[2]	X
Bit 1	R	PPJE[1]	X
Bit 0	R	PPJE[0]	X

The TAPI Path Positive Justification Event Counter register is provided at TAPI read/write indirect address 09H.

PPJE[12:0]

The Path Positive Justification Event (PPJE[12:0]) bits represent the number of Path Positive Justification Events that have occurred since the last accumulation interval. The event counters are transferred to the holding registers by a microprocessor write to TAPI Counters Update register.

Register 1300H: ADLL Configuration

Bit	Type	Function	Default
Bit 15	—	Unused	X
Bit 14	—	Unused	X
Bit 13	—	Unused	X
Bit 12	—	Unused	X
Bit 11	—	Unused	X
Bit 10	—	Unused	X
Bit 9	—	Unused	X
Bit 8	—	Unused	X
Bit 7	—	Unused	X
Bit 6	—	Unused	X
Bit 5	R/W	Reserved	0
Bit 4	R/W	Reserved	0
Bit 3	—	Unused	X
Bit 2	R/W	ERRORE	X
Bit 1	R/W	Reserved	0
Bit 0	R/W	Reserved	0

Reserved

The reserved bits must be programmed to their default values for proper operation.

ERRORE

The ERROR interrupt enable (ERRORE) bit enables the error indication interrupt. When ERRORE is set high, an interrupt is generated upon assertion event of the ERROR register. When ERRORE is set low, changes in the ERROR status do not generate an interrupt.

Register 1302H: Add DLL Reset

Bit	Type	Function	Default
Bit 15	—	Unused	X
Bit 14	—	Unused	X
Bit 13	—	Unused	X
Bit 12	—	Unused	X
Bit 11	—	Unused	X
Bit 10	—	Unused	X
Bit 9	—	Unused	X
Bit 8	—	Unused	X
Bit 7	—	Unused	X
Bit 6	—	Unused	X
Bit 5	—	Unused	X
Bit 4	—	Unused	X
Bit 3	—	Unused	X
Bit 2	—	Unused	X
Bit 1	—	Unused	X
Bit 0	—	Unused	X

Any write to the Add DLL Reset Register will reset the Add Bus DLL.

Register 1303H: ADLL Status

Bit	Type	Function	Default
Bit 15	—	Unused	X
Bit 14	—	Unused	X
Bit 13	—	Unused	X
Bit 12	—	Unused	X
Bit 11	—	Unused	X
Bit 10	—	Unused	X
Bit 9	—	Unused	X
Bit 8	—	Unused	X
Bit 7	R	Reserved	X
Bit 6	R	Reserved	X
Bit 5	R	ERRORI	X
Bit 4	R	Reserved	X
Bit 3	—	Unused	X
Bit 2	R	ERROR	X
Bit 1	R	Reserved	0
Bit 0	R	Reserved	0

Reserved

The reserved bits must be programmed to their default values for proper operation.

ERROR

The delay line error register bit (ERROR) indicates the DLL has run out of dynamic range. When the DLL attempts to move beyond the end of the delay line, ERROR is set high. ERROR is set low, when the DLL captures lock again.

ERRORI

The delay line error event register bit (ERRORI) indicates the ERROR register bit has gone high. When the ERROR register changes from a logic 0 to a logic 1, the ERRORI register bit is set to logic 1. If the ERRORI interrupt enable is high, the INT output is also asserted when ERRORI asserts.

13 Test Features Description

Simultaneously asserting (low) the CSB, RDB, and WRB inputs causes all digital output pins and the data bus to be held in a high-impedance state. This test feature may be used for board testing.

Test mode registers are used in some test vectors during production testing of the SPECTRA 1x2488. Test mode registers (as opposed to normal mode registers) are selected when TRS (A[13]) is high.

Test mode registers may also be used for board testing. When all of the TSBs within the SPECTRA 1x2488 are placed in test mode 0, device inputs may be read and device outputs may be forced via the microprocessor interface (refer to the section "Test Mode 0" for details).

In addition, the SPECTRA 1x2488 also supports a standard IEEE 1149.1 five-signal JTAG boundary scan test port for use in board testing. All digital device inputs may be read and all digital device outputs may be forced via the JTAG test port.

Table 13 Test Mode Register Memory Map

Address	Register
0000H-1FFFH	Normal Mode Registers
2000	Master Test Register
2001	Test Mode Address Force Enable
2002	Test Mode Address Force Value
2003-3FFF	Reserved For Test

13.1 Master Test and Test Configuration Registers

Notes on Test Mode Register Bits

1. Writing values into unused register bits has no effect. However, to ensure software compatibility with future, feature-enhanced versions of the product, unused register bits must be written with logic 0. Reading back unused bits can produce either a logic 1 or a logic 0; hence, unused register bits should be masked off by software when read.
2. Writeable test mode register bits are not initialized upon reset unless otherwise noted.

Register 2000H: SPECTRA 1x2488 Master Test

Bit	Type	Function	Default
Bit 15	—	Unused	X
Bit 14	—	Unused	X
Bit 13	—	Unused	X
Bit 12	—	Unused	X
Bit 11	—	Unused	X
Bit 10	—	Unused	X
Bit 9	—	Unused	X
Bit 8	—	Unused	X
Bit 7	R/W	FORCE_LASVCLK	X
Bit 6	R/W	ATB_2488_EN	X
Bit 5	R/W	ATST	X
Bit 4	R/W	PMCTST	X
Bit 3	R/W	DBCTRL	0
Bit 2	R/W	IOTST	0
Bit 1	R/W	HIZDATA	0
Bit 0	R/W	HIZIO	0

This register is used to enable SPECTRA 1x2488 test features. All bits, except ATB_2488_EN, PMCTST and PMCATST are reset to zero by a reset of the SPECTRA 1x2488 using the RSTB input. ATB_2488_EN, PMCTST and ATST are reset when CSB is logic 1. ATB_2488_EN, PMCTST and ATST can also be reset by writing a logic 0 to the corresponding register bit.

Access to this register is not affected by the Test Mode Address Force functions in registers 2001H and 2002H.

HIZIO, HIZDATA

The HIZIO and HIZDATA bits control the tri-state modes of the SPECTRA 1x2488. While the HIZIO bit is a logic 1, all output pins of the SPECTRA 1x2488 except the data bus and output TDO are held tri-state. The microprocessor interface is still active. While the HIZDATA bit is a logic 1, the data bus is also held in a high-impedance state, which inhibits microprocessor read cycles. The HIZDATA bit is overridden by the DBCTRL bit.

IOTST

The IOTST bit is used to allow normal microprocessor access to the test registers and control the test mode in each TSB block in the SPECTRA 1x2488 for board level testing. When IOTST is a logic 1, all blocks are held in test mode and the microprocessor may write to a block's test mode 0 registers to manipulate the outputs of the block and consequently the device outputs (refer to the "Test Mode 0 Details" in the "Test Features" section).

DBCTRL

The DBCTRL bit is used to pass control of the data bus drivers to the CSB pin. When the DBCTRL bit is set to logic 1 and PMCTST is set to logic 1, the CSB pin controls the output enable for the data bus. While the DBCTRL bit is set, holding the CSB pin high causes the SPECTRA 1x2488 to drive the data bus and holding the CSB pin low tri-states the data bus. The DBCTRL bit overrides the HIZDATA bit. The DBCTRL bit is used to measure the drive capability of the data bus driver pads.

PMCTST

The PMCTST bit is used to configure the SPECTRA 1x2488 for PMC-Sierra's manufacturing tests. When PMCTST is set to logic 1, the SPECTRA 1x2488 microprocessor port becomes the test access port used to run the PMC "canned" manufacturing test vectors. The PMCTST can be cleared by setting CSB to logic 1 or by writing logic 0 to the bit.

ATST

The ATST bit is used to configure the analog test pads of the SPECTRA 1x2488 for PMC-Sierra's manufacturing tests. The ATST can be cleared by setting CSB to logic 1 or by writing logic 0 to the bit.

ATB_2488_EN

The ATB_2488_EN bit is used to configure the analog portion of the SPECTRA 1x2488 for PMC-Sierra's manufacturing tests. The ATB_2488_EN can be cleared by setting CSB to logic 1 or by writing logic 0 to the bit.

FORCE_LASVCLK

The FORCE_LASVCLK bit is used to configure the test clock of the LAS4x622 TSB for PMC-Sierra's manufacturing tests. FORCE_LASVCLK cannot be reset in normal mode. It is cleared to 0 in test mode when RSTB is low.

Register 2001H: SPECTRA 1x2488 Test Mode Address Force Enable

Bit	Type	Function	Default
Bit 15	—	Unused	X
Bit 14	—	Unused	X
Bit 13	—	Unused	X
Bit 12	—	Unused	X
Bit 11	—	Unused	X
Bit 10	—	Unused	X
Bit 9	—	Unused	X
Bit 8	—	Unused	X
Bit 7	—	Unused	X
Bit 6	—	Unused	X
Bit 5	—	Unused	X
Bit 4	—	Unused	X
Bit 3	—	Unused	X
Bit 2	—	Unused	X
Bit 1	—	Unused	X
Bit 0	R/W	TM_A_EN	X

This register is used to force the address pins to a certain value. These bits are valid when either PMCTST or IOTST is set to logic 1. The TM_A[X] bit is forced when TM_A_EN is logic 1. Otherwise, the A[X] pin is used.

Access to this register is not affected by the Test Mode Address Force functions in registers 2001H and 2002H.

TM_A_EN

When TM_A_EN is logic 1 and either PMCTST or IOTST is logic 1, the TM_A[X] register bit replaces the input pin A[X]. Like PMCTST and ATST, TM_A_EN bits are cleared only when CSB is logic 1 or when they are written to logic 0.

Register 2002H: SPECTRA 1x2488 Test Mode Address Force Value

Bit	Type	Function	Default
Bit 15	—	Unused	X
Bit 14	—	Unused	X
Bit 13	—	Unused	X
Bit 12	—	Unused	X
Bit 11	—	Unused	X
Bit 10	—	Unused	X
Bit 9	—	Unused	X
Bit 8	—	Unused	X
Bit 7	—	Unused	X
Bit 6	—	Unused	X
Bit 5	—	Unused	X
Bit 4	—	Unused	X
Bit 3	—	Unused	X
Bit 2	R/W	TM_SLICE	X
Bit 1	R/W	TM_A[11]	X
Bit 0	R/W	TM_A[10]	X

This register is used to force the address pins to a certain value. These bits are valid when either PMCTST or IOTST is set to logic 1. The TM_A[X] bit is forced when TM_A_EN is logic 1. Otherwise, the A[X] pin is used.

Access to this register is not affected by the Test Mode Address Force functions in registers 2001H and 2002H.

TM_A[11:10]

When TM_A_EN is logic 1 and either PMCTST or IOTST is logic 1, the TM_A[X] bit replaces the input pin A[X]. Like PMCTST and ATST, TM_A[X] bits are cleared only when CSB is logic 1 or when they are written to logic 0.

TM_SLICE

When TM_A_EN is logic 1 and either PMCTST or IOTST is logic 1, the TM_SLICE bit high will force the SPECTRA 1x2488 to ignore the input pin A[11:10] and select all 4 slices. Like PMCTST and ATST, TM_SLICE bits are cleared only when CSB is logic 1 or when they are written to logic 0.

13.2 JTAG Test Port

The SPECTRA 1x2488 JTAG Test Access Port (TAP) allows access to the TAP controller and the four TAP registers: instruction, bypass, device identification and boundary scan. Using the TAP, device input logic levels can be read, device outputs can be forced, the device can be identified and the device scan path can be bypassed. For more details on the JTAG port, please refer to the Operations section.

Table 14 Instruction Register (Length - 3 Bits)

Instructions	Selected Register	Instruction Codes, IR[2:0]
EXTEST	Boundary Scan	000
IDCODE	Identification	001
SAMPLE	Boundary Scan	010
BYPASS	Bypass	011
BYPASS	Bypass	100
STCTEST	Boundary Scan	101
BYPASS	Bypass	110
BYPASS	Bypass	111

Table 15 Identification Register

Length	32 bits
Version Number	0H
Part Number	5332H
Manufacturer's Identification Code	0CDH
Device Identification	053320CDH

Table 16 Boundary Scan Register

Name	Register Bit	Cell Type	Device ID
QUAD622	402	IN_CELL	L
NO_TU3	401	IN_CELL	L
AJ0J1_FP2	400	IN_CELL	L
APL2	399	IN_CELL	L
AD2[7]	398	IN_CELL	L
AD2[6]	397	IN_CELL	H
AD2[5]	396	IN_CELL	L
AD2[4]	395	IN_CELL	H
AD2[3]	394	IN_CELL	L
AD2[2]	393	IN_CELL	L
AD2[1]	392	IN_CELL	H
AD2[0]	391	IN_CELL	H
OEB_DDP2	390	OUT_CELL	L
DDP2	389	OUT_CELL	L
OEB_DALARM2	388	OUT_CELL	H

Name	Register Bit	Cell Type	Device ID
DALARM2	387	OUT_CELL	H
OEB_DJ0J12	386	OUT_CELL	L
DJ0J12	385	OUT_CELL	L
OEB_DPL2	384	OUT_CELL	H
DPL2	383	OUT_CELL	L
OEB_DD2[7]	382	OUT_CELL	L
DD2[7]	381	OUT_CELL	L
OEB_DD2[6]	380	OUT_CELL	L
DD2[6]	379	OUT_CELL	L
OEB_DD2[5]	378	OUT_CELL	H
DD2[5]	377	OUT_CELL	H
OEB_DD2[4]	376	OUT_CELL	L
DD2[4]	375	OUT_CELL	L
OEB_DD2[3]	374	OUT_CELL	H
DD2[3]	373	OUT_CELL	H
OEB_DD2[2]	372	OUT_CELL	L
DD2[2]	371	OUT_CELL	H
OEB_DD2[1]	370	OUT_CELL	—
DD2[1]	369	OUT_CELL	—
OEB_DD2[0]	368	OUT_CELL	—
DD2[0]	367	OUT_CELL	—
ADP3	366	IN_CELL	—
APAI3	365	IN_CELL	—
AJ0J1_FP3	364	IN_CELL	—
APL3	363	IN_CELL	—
AD3[7]	362	IN_CELL	—
AD3[6]	361	IN_CELL	—
AD3[5]	360	IN_CELL	—
AD3[4]	359	IN_CELL	—
AD3[3]	358	IN_CELL	—
AD3[2]	357	IN_CELL	—
AD3[1]	356	IN_CELL	—
AD3[0]	355	IN_CELL	—
ACK	354	IN_CELL	—
ACMP	353	IN_CELL	—
DCK	352	IN_CELL	—
DCMP	351	IN_CELL	—
DJ0REF	350	IN_CELL	—
OEB_DDP3	349	OUT_CELL	—
DDP3	348	OUT_CELL	—
OEB_DALARM3	347	OUT_CELL	—

Name	Register Bit	Cell Type	Device ID
DALARM3	346	OUT_CELL	—
OEB_DJ0J13	345	OUT_CELL	—
DJ0J13	344	OUT_CELL	—
OEB_DPL3	343	OUT_CELL	—
DPL3	342	OUT_CELL	—
OEB_DD3[7]	341	OUT_CELL	—
DD3[7]	340	OUT_CELL	—
OEB_DD3[6]	339	OUT_CELL	—
DD3[6]	338	OUT_CELL	—
OEB_DD3[5]	337	OUT_CELL	—
DD3[5]	336	OUT_CELL	—
OEB_DD3[4]	335	OUT_CELL	—
DD3[4]	334	OUT_CELL	—
OEB_DD3[3]	333	OUT_CELL	—
DD3[3]	332	OUT_CELL	—
OEB_DD3[2]	331	OUT_CELL	—
DD3[2]	330	OUT_CELL	—
OEB_DD3[1]	329	OUT_CELL	—
DD3[1]	328	OUT_CELL	—
OEB_DD3[0]	327	OUT_CELL	—
DD3[0]	326	OUT_CELL	—
OEB_TSLDCLK1	325	OUT_CELL	—
TSLDCLK1	324	OUT_CELL	—
TSLD1	323	IN_CELL	—
OEB_TLDCLK1	322	OUT_CELL	—
TLDCLK1	321	OUT_CELL	—
TLD1	320	IN_CELL	—
OEB_TSLDCLK2	319	OUT_CELL	—
TSLDCLK2	318	OUT_CELL	—
TSLD2	317	IN_CELL	—
OEB_TLDCLK2	316	OUT_CELL	—
TLDCLK2	315	OUT_CELL	—
TLD2	314	IN_CELL	—
OEB_TSLDCLK3	313	OUT_CELL	—
TSLDCLK3	312	OUT_CELL	—
TSLD3	311	IN_CELL	—
OEB_TLDCLK3	310	OUT_CELL	—
TLDCLK3	309	OUT_CELL	—
TLD3	308	IN_CELL	—
OEB_TSLDCLK4	307	OUT_CELL	—
TSLDCLK4	306	OUT_CELL	—

Name	Register Bit	Cell Type	Device ID
TSLD4	305	IN_CELL	—
OEB_TLDCLK4	304	OUT_CELL	—
TLDCLK4	303	OUT_CELL	—
TLD4	302	IN_CELL	—
ADP4	301	IN_CELL	—
APAIS4	300	IN_CELL	—
AJ0J1_FP4	299	IN_CELL	—
APL4	298	IN_CELL	—
AD4[7]	297	IN_CELL	—
AD4[6]	296	IN_CELL	—
AD4[5]	295	IN_CELL	—
AD4[4]	294	IN_CELL	—
AD4[3]	293	IN_CELL	—
AD4[2]	292	IN_CELL	—
AD4[1]	291	IN_CELL	—
AD4[0]	290	IN_CELL	—
OEB_DDP4	289	OUT_CELL	—
DDP4	288	OUT_CELL	—
OEB_DALARM4	287	OUT_CELL	—
DALARM4	286	OUT_CELL	—
OEB_DJ0J14	285	OUT_CELL	—
DJ0J14	284	OUT_CELL	—
OEB_DPL4	283	OUT_CELL	—
DPL4	282	OUT_CELL	—
OEB_DD4[7]	281	OUT_CELL	—
DD4[7]	280	OUT_CELL	—
OEB_DD4[6]	279	OUT_CELL	—
DD4[6]	278	OUT_CELL	—
OEB_DD4[5]	277	OUT_CELL	—
DD4[5]	276	OUT_CELL	—
OEB_DD4[4]	275	OUT_CELL	—
DD4[4]	274	OUT_CELL	—
OEB_DD4[3]	273	OUT_CELL	—
DD4[3]	272	OUT_CELL	—
OEB_DD4[2]	271	OUT_CELL	—
DD4[2]	270	OUT_CELL	—
OEB_DD4[1]	269	OUT_CELL	—
DD4[1]	268	OUT_CELL	—
OEB_DD4[0]	267	OUT_CELL	—
DD4[0]	266	OUT_CELL	—
OEB_TOHCLK1	265	OUT_CELL	—

Name	Register Bit	Cell Type	Device ID
TOHCLK1	264	OUT_CELL	—
OEB_TOHFP1	263	OUT_CELL	—
TOHFP1	262	OUT_CELL	—
TTOH1	261	IN_CELL	—
TTOHEN1	260	IN_CELL	—
TPOH1	259	IN_CELL	—
OEB_TPOHRDY1	258	OUT_CELL	—
TPOHRDY1	257	OUT_CELL	—
TPOHEN1	256	IN_CELL	—
OEB_TOHCLK2	255	OUT_CELL	—
TOHCLK2	254	OUT_CELL	—
OEB_TOHFP2	253	OUT_CELL	—
TOHFP2	252	OUT_CELL	—
TTOH2	251	IN_CELL	—
TTOHEN2	250	IN_CELL	—
TPOH2	249	IN_CELL	—
OEB_TPOHRDY2	248	OUT_CELL	—
TPOHRDY2	247	OUT_CELL	—
TPOHEN2	246	IN_CELL	—
OEB_TOHCLK3	245	OUT_CELL	—
TOHCLK3	244	OUT_CELL	—
OEB_TOHFP3	243	OUT_CELL	—
TOHFP3	242	OUT_CELL	—
TTOH3	241	IN_CELL	—
TTOHEN3	240	IN_CELL	—
TPOH3	239	IN_CELL	—
OEB_TPOHRDY3	238	OUT_CELL	—
TPOHRDY3	237	OUT_CELL	—
TPOHEN3	236	IN_CELL	—
OEB_TOHCLK4	235	OUT_CELL	—
TOHCLK4	234	OUT_CELL	—
OEB_TOHFP4	233	OUT_CELL	—
TOHFP4	232	OUT_CELL	—
TTOH4	231	IN_CELL	—
TTOHEN4	230	IN_CELL	—
TPOH4	229	IN_CELL	—
OEB_TPOHRDY4	228	OUT_CELL	—
TPOHRDY4	227	OUT_CELL	—
TPOHEN4	226	IN_CELL	—
OEB_RRCPDAT1	225	OUT_CELL	—
RRCPDAT1	224	OUT_CELL	—

Name	Register Bit	Cell Type	Device ID
OEB_RALM1	223	OUT_CELL	—
RALM1	222	OUT_CELL	—
OEB_RRCPDAT2	221	OUT_CELL	—
RRCPDAT2	220	OUT_CELL	—
OEB_RALM2	219	OUT_CELL	—
RALM2	218	OUT_CELL	—
OEB_RRCPDAT3	217	OUT_CELL	—
RRCPDAT3	216	OUT_CELL	—
OEB_RALM3	215	OUT_CELL	—
RALM3	214	OUT_CELL	—
OEB_RRCPDAT4	213	OUT_CELL	—
RRCPDAT4	212	OUT_CELL	—
OEB_RALM4	211	OUT_CELL	—
RALM4	210	OUT_CELL	—
OEB_B3E1	209	OUT_CELL	—
B3E1	208	OUT_CELL	—
OEB_B3E2	207	OUT_CELL	—
B3E2	206	OUT_CELL	—
OEB_B3E3	205	OUT_CELL	—
B3E3	204	OUT_CELL	—
OEB_B3E4	203	OUT_CELL	—
B3E4	202	OUT_CELL	—
OEB_D[15]	201	OUT_CELL	—
D[15]	200	IO_CELL	—
OEB_D[14]	199	OUT_CELL	—
D[14]	198	IO_CELL	—
OEB_D[13]	197	OUT_CELL	—
D[13]	196	IO_CELL	—
OEB_D[12]	195	OUT_CELL	—
D[12]	194	IO_CELL	—
OEB_D[11]	193	OUT_CELL	—
D[11]	192	IO_CELL	—
OEB_D[10]	191	OUT_CELL	—
D[10]	190	IO_CELL	—
OEB_D[9]	189	OUT_CELL	—
D[9]	188	IO_CELL	—
OEB_D[8]	187	OUT_CELL	—
D[8]	186	IO_CELL	—
OEB_D[7]	185	OUT_CELL	—
D[7]	184	IO_CELL	—
OEB_D[6]	183	OUT_CELL	—

Name	Register Bit	Cell Type	Device ID
D[6]	182	IO_CELL	—
OEB_D[5]	181	OUT_CELL	—
D[5]	180	IO_CELL	—
OEB_D[4]	179	OUT_CELL	—
D[4]	178	IO_CELL	—
OEB_D[3]	177	OUT_CELL	—
D[3]	176	IO_CELL	—
OEB_D[2]	175	OUT_CELL	—
D[2]	174	IO_CELL	—
OEB_D[1]	173	OUT_CELL	—
D[1]	172	IO_CELL	—
OEB_D[0]	171	OUT_CELL	—
D[0]	170	IO_CELL	—
A[13]	169	IN_CELL	—
A[12]	168	IN_CELL	—
A[11]	167	IN_CELL	—
A[10]	166	IN_CELL	—
A[9]	165	IN_CELL	—
A[8]	164	IN_CELL	—
A[7]	163	IN_CELL	—
A[6]	162	IN_CELL	—
A[5]	161	IN_CELL	—
A[4]	160	IN_CELL	—
A[3]	159	IN_CELL	—
A[2]	158	IN_CELL	—
A[1]	157	IN_CELL	—
A[0]	156	IN_CELL	—
CSB	155	IN_CELL	—
ALE	154	IN_CELL	—
RDB	153	IN_CELL	—
WRB	152	IN_CELL	—
RSTB	151	IN_CELL	—
OEB_INTB	150	OUT_CELL	—
INTB	149	OUT_CELL	—
OEB_PGMTCLK	148	OUT_CELL	—
PGMTCLK	147	OUT_CELL	—
OEB_CRUCLKO	146	OUT_CELL	—
CRUCLKO	145	OUT_CELL	—
OEB_CSUCLKO	144	OUT_CELL	—
CSUCLKO	143	OUT_CELL	—
SD4	142	IN_CELL	—

Name	Register Bit	Cell Type	Device ID
SD3	141	IN_CELL	—
SD2	140	IN_CELL	—
SD1	139	IN_CELL	—
OEB_RCLK1	138	OUT_CELL	—
RCLK1	137	OUT_CELL	—
SD_TEST	136	IN_CELL	—
OEB_RCLK2	135	OUT_CELL	—
RCLK2	134	OUT_CELL	—
OEB_RCLK3	133	OUT_CELL	—
RCLK3	132	OUT_CELL	—
OEB_RCLK4	131	OUT_CELL	—
RCLK4	130	OUT_CELL	—
OEB_SALM1	129	OUT_CELL	—
SALM1	128	OUT_CELL	—
OEB_SALM2	127	OUT_CELL	—
SALM2	126	OUT_CELL	—
OEB_SALM3	125	OUT_CELL	—
SALM3	124	OUT_CELL	—
OEB_SALM4	123	OUT_CELL	—
SALM4	122	OUT_CELL	—
TRCPCLK1	121	IN_CELL	—
TRCPFP1	120	IN_CELL	—
TRCPDAT1	119	IN_CELL	—
TRCPCLK2	118	IN_CELL	—
TRCPFP2	117	IN_CELL	—
TRCPDAT2	116	IN_CELL	—
TRCPCLK3	115	IN_CELL	—
TRCPFP3	114	IN_CELL	—
TRCPDAT3	113	IN_CELL	—
TRCPCLK4	112	IN_CELL	—
TRCPFP4	111	IN_CELL	—
TRCPDAT4	110	IN_CELL	—
OEB_ROHCLK1	109	OUT_CELL	—
ROHCLK1	108	OUT_CELL	—
OEB_ROHFP1	107	OUT_CELL	—
ROHFP1	106	OUT_CELL	—
OEB_RTOH1	105	OUT_CELL	—
RTOH1	104	OUT_CELL	—
OEB_RPOH1	103	OUT_CELL	—
RPOH1	102	OUT_CELL	—
OEB_RPOHEN1	101	OUT_CELL	—

Name	Register Bit	Cell Type	Device ID
RPOHEN1	100	OUT_CELL	—
OEB_ROHCLK2	99	OUT_CELL	—
ROHCLK2	98	OUT_CELL	—
OEB_ROHFP2	97	OUT_CELL	—
ROHFP2	96	OUT_CELL	—
OEB_RTOH2	95	OUT_CELL	—
RTOH2	94	OUT_CELL	—
OEB_RPOH2	93	OUT_CELL	—
RPOH2	92	OUT_CELL	—
OEB_RPOHEN2	91	OUT_CELL	—
RPOHEN2	90	OUT_CELL	—
OEB_ROHCLK3	89	OUT_CELL	—
ROHCLK3	88	OUT_CELL	—
OEB_ROHFP3	87	OUT_CELL	—
ROHFP3	86	OUT_CELL	—
OEB_RTOH3	85	OUT_CELL	—
RTOH3	84	OUT_CELL	—
OEB_RPOH3	83	OUT_CELL	—
RPOH3	82	OUT_CELL	—
OEB_RPOHEN3	81	OUT_CELL	—
RPOHEN3	80	OUT_CELL	—
OEB_ROHCLK4	79	OUT_CELL	—
ROHCLK4	78	OUT_CELL	—
OEB_ROHFP4	77	OUT_CELL	—
ROHFP4	76	OUT_CELL	—
OEB_RTOH4	75	OUT_CELL	—
RTOH4	74	OUT_CELL	—
OEB_RPOH4	73	OUT_CELL	—
RPOH4	72	OUT_CELL	—
OEB_RPOHEN4	71	OUT_CELL	—
RPOHEN4	70	OUT_CELL	—
OEB_RSLDCLK4	69	OUT_CELL	—
RSLDCLK4	68	OUT_CELL	—
OEB_RSLD4	67	OUT_CELL	—
RSLD4	66	OUT_CELL	—
OEB_RLDCLK4	65	OUT_CELL	—
RLDCLK4	64	OUT_CELL	—
OEB_RLD4	63	OUT_CELL	—
RLD4	62	OUT_CELL	—
OEB_RSLDCLK3	61	OUT_CELL	—
RSLDCLK3	60	OUT_CELL	—

Name	Register Bit	Cell Type	Device ID
OEB_RSLD3	59	OUT_CELL	—
RSLD3	58	OUT_CELL	—
OEB_RLDCLK3	57	OUT_CELL	—
RLDCLK3	56	OUT_CELL	—
OEB_RLD3	55	OUT_CELL	—
RLD3	54	OUT_CELL	—
OEB_RSLDCLK2	53	OUT_CELL	—
RSLDCLK2	52	OUT_CELL	—
OEB_RSLD2	51	OUT_CELL	—
RSLD2	50	OUT_CELL	—
OEB_RLDCLK2	49	OUT_CELL	—
RLDCLK2	48	OUT_CELL	—
OEB_RLD2	47	OUT_CELL	—
RLD2	46	OUT_CELL	—
OEB_RSLDCLK1	45	OUT_CELL	—
RSLDCLK1	44	OUT_CELL	—
OEB_RSLD1	43	OUT_CELL	—
RSLD1	42	OUT_CELL	—
OEB_RLDCLK1	41	OUT_CELL	—
RLDCLK1	40	OUT_CELL	—
OEB_RLD1	39	OUT_CELL	—
RLD1	38	OUT_CELL	—
ADP1	37	IN_CELL	—
APAS1	36	IN_CELL	—
AJ0J1_FP1	35	IN_CELL	—
APL1	34	IN_CELL	—
AD1[7]	33	IN_CELL	—
AD1[6]	32	IN_CELL	—
AD1[5]	31	IN_CELL	—
AD1[4]	30	IN_CELL	—
AD1[3]	29	IN_CELL	—
AD1[2]	28	IN_CELL	—
AD1[1]	27	IN_CELL	—
AD1[0]	26	IN_CELL	—
OEB_DDP1	25	OUT_CELL	—
DDP1	24	OUT_CELL	—
OEB_DALARM1	23	OUT_CELL	—
DALARM1	22	OUT_CELL	—
OEB_DJ0J11	21	OUT_CELL	—
DJ0J11	20	OUT_CELL	—
OEB_DPL1	19	OUT_CELL	—

Name	Register Bit	Cell Type	Device ID
DPL1	18	OUT_CELL	—
OEB_DD1[7]	17	OUT_CELL	—
DD1[7]	16	OUT_CELL	—
OEB_DD1[6]	15	OUT_CELL	—
DD1[6]	14	OUT_CELL	—
OEB_DD1[5]	13	OUT_CELL	—
DD1[5]	12	OUT_CELL	—
OEB_DD1[4]	11	OUT_CELL	—
DD1[4]	10	OUT_CELL	—
OEB_DD1[3]	9	OUT_CELL	—
DD1[3]	8	OUT_CELL	—
OEB_DD1[2]	7	OUT_CELL	—
DD1[2]	6	OUT_CELL	—
OEB_DD1[1]	5	OUT_CELL	—
DD1[1]	4	OUT_CELL	—
OEB_DD1[0]	3	OUT_CELL	—
DD1[0]	2	OUT_CELL	—
ADP2	1	IN_CELL	—
APAIS2	0	IN_CELL	—

Note

- When set high, INTB will be set to high impedance.

13.2.1 Boundary Scan Cells

In the following diagrams, CLOCK-DR is equal to TCK when the current controller state is SHIFT-DR or CAPTURE-DR, and unchanging otherwise. The multiplexer in the center of the diagram selects one of four inputs, depending on the status of select lines G1 and G2. The ID Code bit is as listed in the Boundary Scan Register table located above.

Figure 17 Input Observation Cell (IN_CELL)

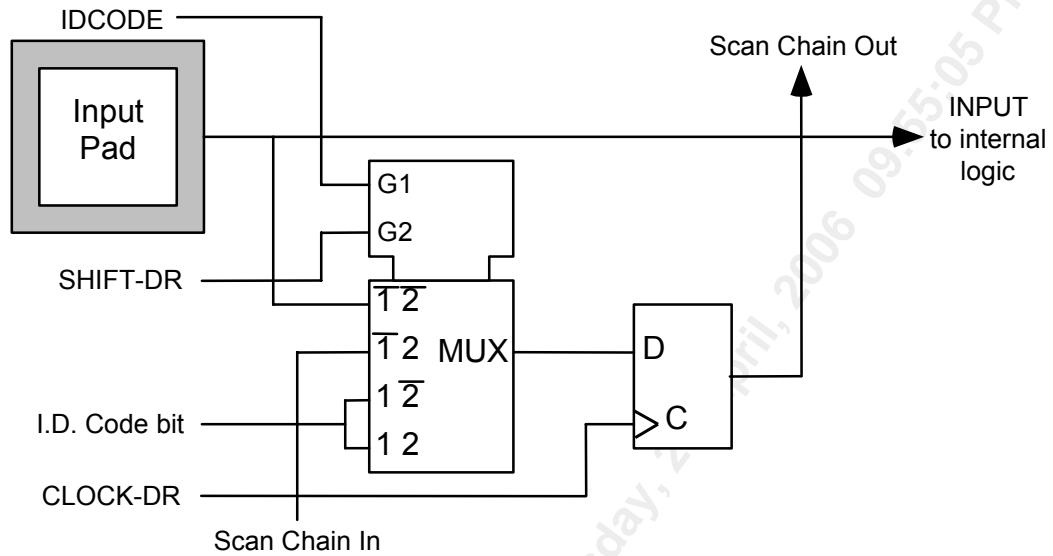


Figure 18 Output Cell (OUT_CELL)

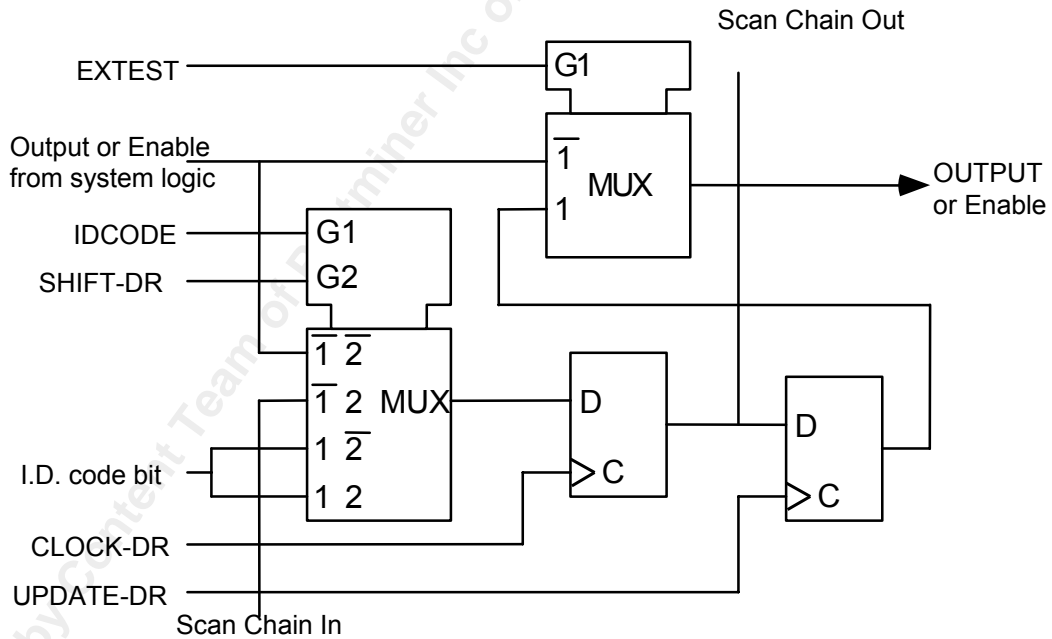


Figure 19 Bi-directional Cell (IO_CELL)

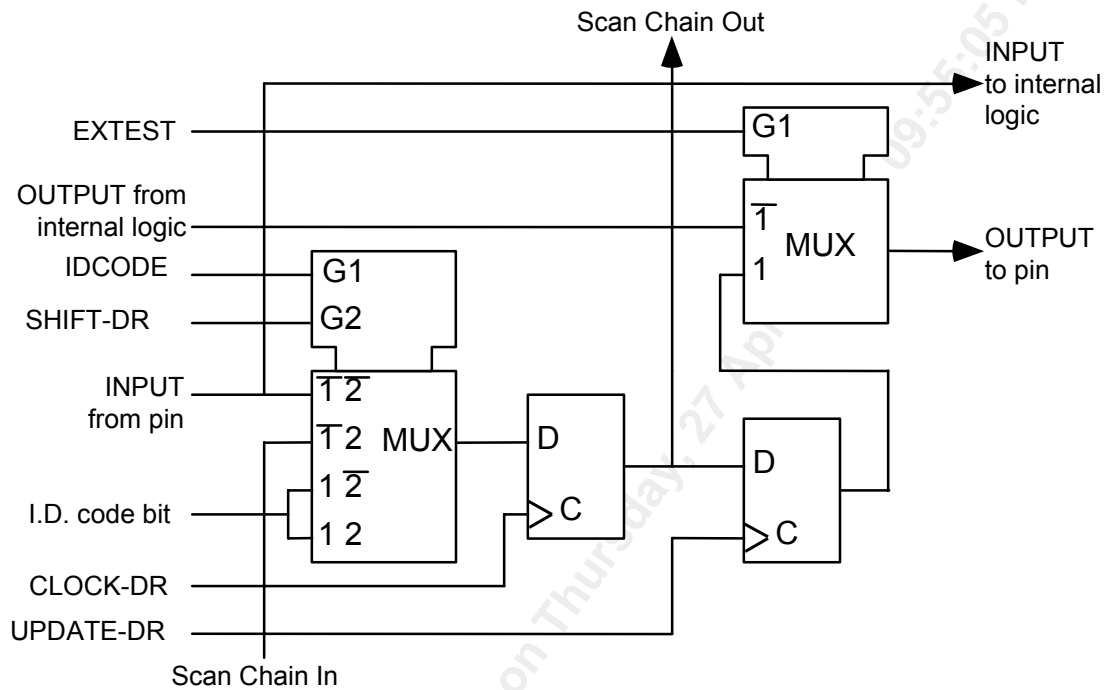
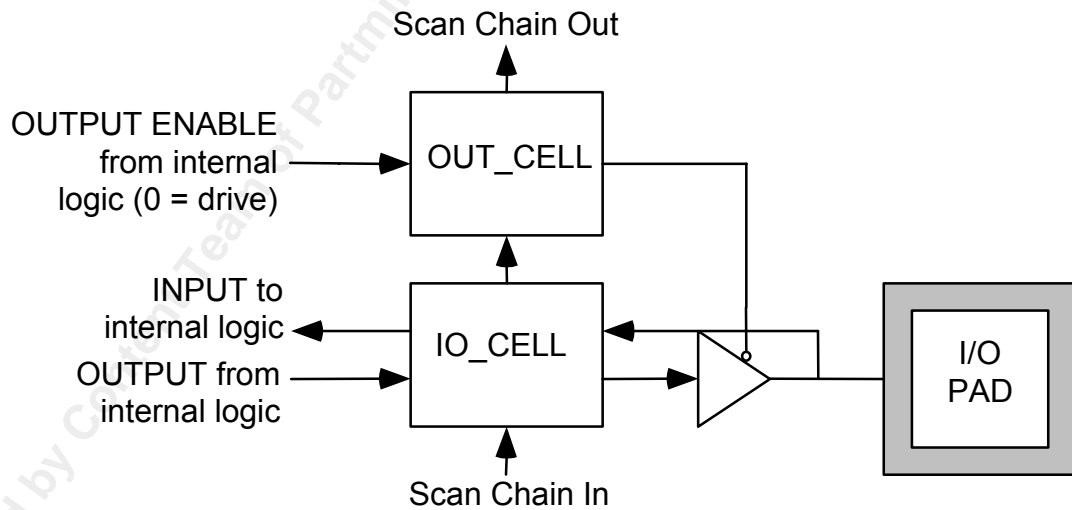


Figure 20 Layout of Output Enable and Bi-directional Cells



14 Operation

This section presents Configuration Options, PCB design recommendations, operating details for the JTAG boundary scan feature, and interface details for system side devices.

The SPECTRA 1x2488 is a SONET/SDH PAYLOAD EXTRACTOR/ALIGNER device. It processes the section, line, path overhead of an STS-48/48c (STM-16/AU4-16c/AU4-12c /AU4-8c/ AU4-4c/AU4/AU3/TU3) or quad STS-12/12c (STM-4/AU4-4c/AU4/AU3/TU3) data stream. The SPECTRA 1x2488 supports a rich set of line, path, and system configuration options.

14.1 Transport and Path Overhead Bytes

Under normal operating conditions, the SPECTRA 1x2488 processes the complete transport overhead present in an STS-48c/48 or quad STS-12/12c(STM-4) stream. The byte positions processed by the SPECTRA 1x2488 are indicated below.

Figure 21 STS-12 (STM-4) on RTOH 1-4/TTOH1-4

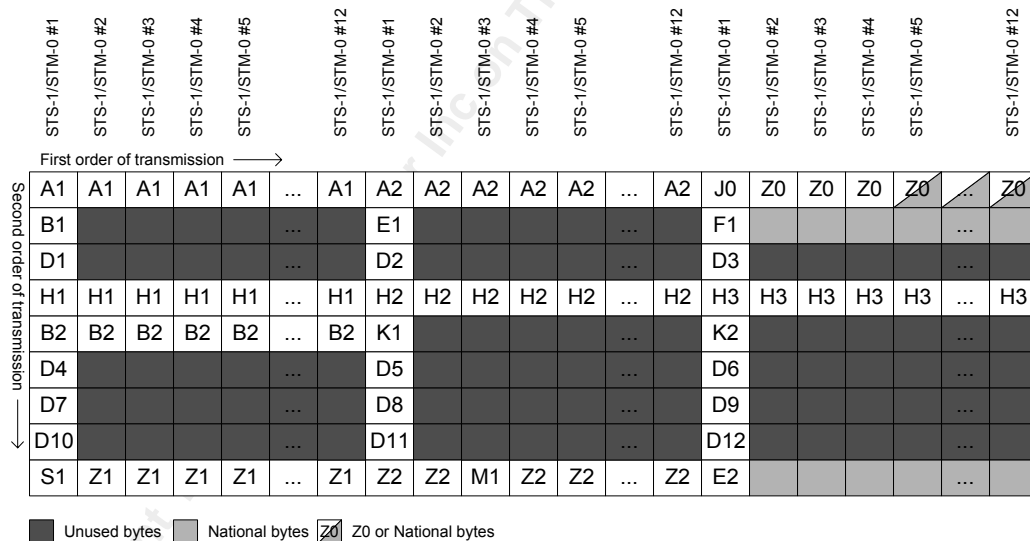


Figure 22 STS-48 (STM-16) on RTOH1/TTOH1

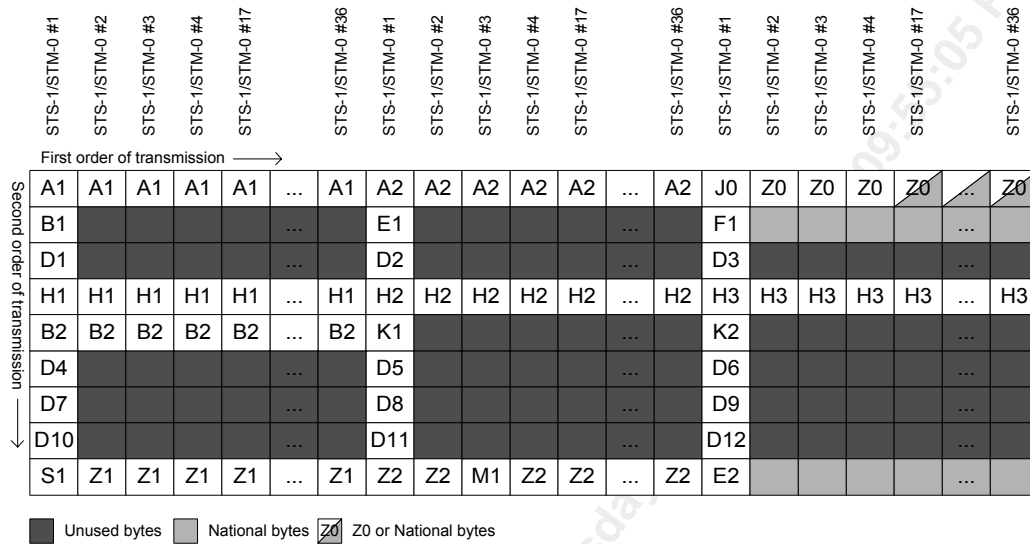


Figure 23 STS-48 (STM-16) on RTOH2/TTOH2

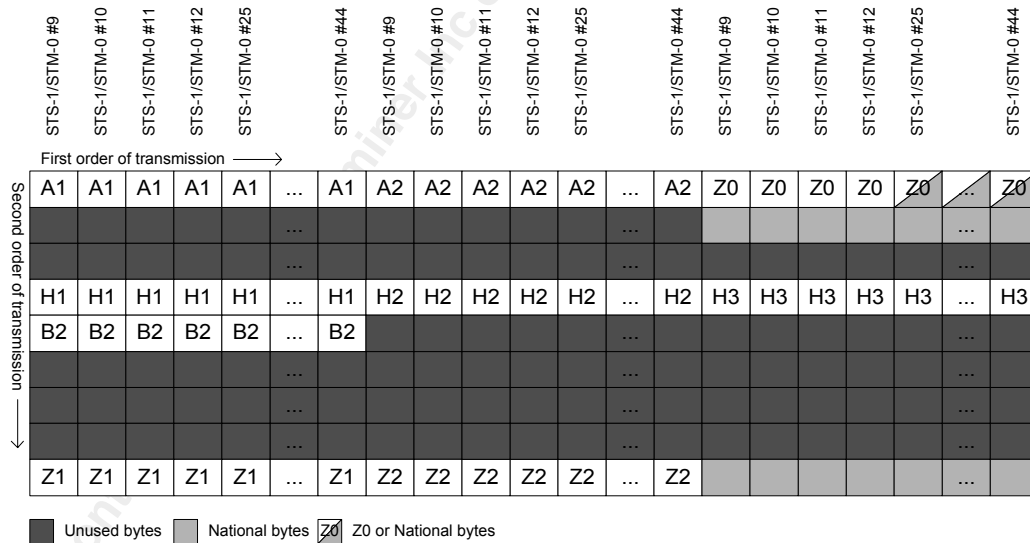


Figure 24 STS-48 (STM-16) on RTOH3/TTOH3

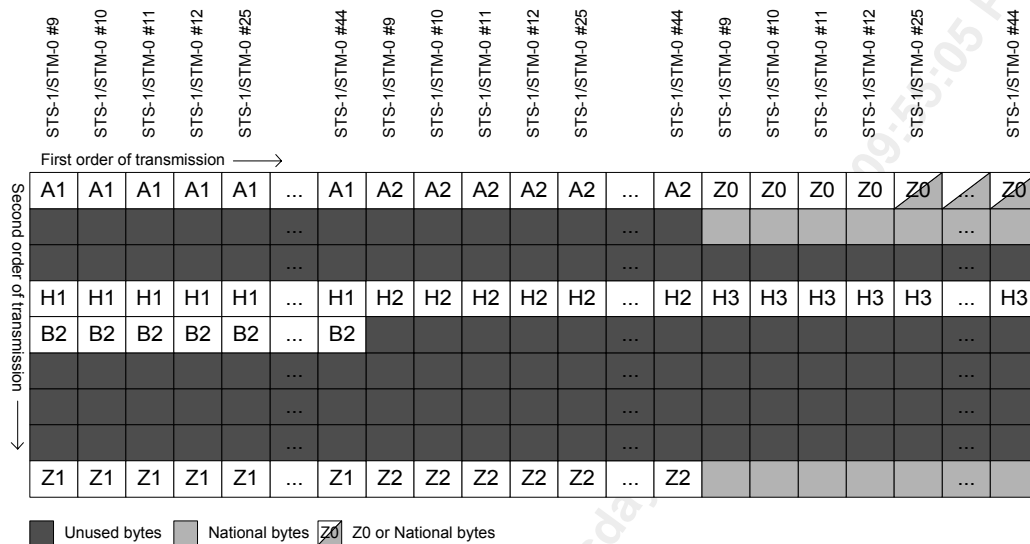
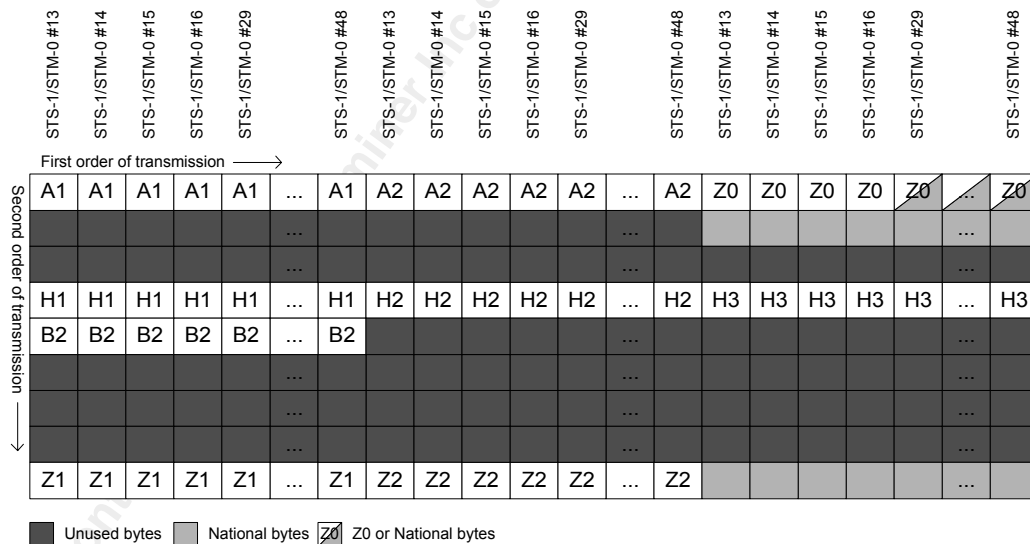


Figure 25 STS-48 (STM-16) on RTOH4/TTOH4



Transport Overhead Bytes

All receive transport overhead bytes are extracted and presented onto the RTOH port. All transmit transport overhead bytes can be inserted via the TTOH port. When the transmit transport overhead insertion interface is not being used the TRMP should be set to use its internal insertion registers (see register description for TRMP Register Insertion registers 1081H, 1481H, 1881H and 1C81H)

A1, A2: The frame alignment bytes (A1, A2) locate the SONET/SDH frame in the serial stream. These bytes are used to byte align the received data.

J0: The J0 byte is currently defined as the section trace byte for SONET/SDH. J0 byte is not scrambled by the frame synchronous scrambler. The received section trace message is processed by the SECTION RTTP block and is also available on the RTOH port. The transmit section trace message can be programmed in the SECTION TTTP, via the TTOH port or the TRMP block.

Z0: The Z0 bytes are currently defined as the section growth bytes for SONET/SDH. Z0 bytes are not scrambled by the frame synchronous scrambler. The received section growth bytes are extracted and available on the RTOH port. The transmit section growth bytes can be inserted via the TTOH port or the TRMP block.

B1: The section bit interleaved parity byte provides a section error monitoring function. In the transmit direction, the TRMP block calculates the B1 code over all bits of the previous frame after scrambling. The calculated code is then placed in the current frame before scrambling. In the receive direction, the RRMP block calculates the B1 code over the current frame and compares this calculation with the B1 byte received in the following frame. B1 errors are accumulated in the error event counter of the RRMP block.

D1 - D3: The section data communications channel provides a 192 Kbit/s data communications channel for network element to network element communications. In the transmit direction, the section DCC byte is inserted from a dedicated 192 Kbit/s input, TLD and/or TSLD port. Section DCC can also be inserted via the TTOH port or the TRMP block. In the receive direction, the section DCC is extracted on a dedicated 192 Kbit/s output, RLD and/or RSLD port. Section DCC is also extracted on the RTOH port.

H1, H2: The pointer value bytes locate the J1 path overhead byte in the SONET/SDH frame. In the transmit direction, the SVCA block inserts a valid pointer with pointer adjustments to accommodate plesiochronous timing offsets between the line and system references. In the receive direction, the pointer is interpreted by the RHPP block to locate the payload. The loss of pointer state is entered when a valid pointer cannot be found. Path AIS state is entered when H1, H2 contain an all ones pattern.

H3: The pointer action bytes contain synchronous payload envelope data when a negative stuff event occurs. An all zero pattern is inserted in the transmit direction unless a negative stuff event occurs. This byte is ignored in the receive direction unless a negative stuff event is detected.

B2: The line bit interleaved parity bytes provide a line error monitoring function. In the transmit direction, the TRMP block calculates the B2 codes. The calculated code is then placed in the next frame. In the receive direction, the RRMP block calculates the B2 codes over the current frame and compares this calculation with the B2 codes receive in the following frame. B2 errors are accumulated in the error event counter of the RRMP block.

K1, K2: The K1 and K2 bytes provide the automatic protection switching channel. The K2 byte is also used to identify line layer maintenance signals. Line RDI is indicated when bits 6, 7, and 8 of the K2 byte are set to the pattern '110'. Line AIS is indicated when bits 6, 7, and 8 of the K2 byte are set to the pattern '111'. In the transmit direction, the K1 and K2 bytes can be inserted via the TTOH port or the TRCP ports. The TRMP block also provides register control for the K1 and K2 bytes block. In the receive direction, the RRMP block provides register access to the filtered APS channel. Protection switch byte failure alarm detection is provided. The K2 byte is also determines the presence of the line AIS, or the line RDI maintenance signals

D4 - D12: The line data communications channel provides a 576 Kbit/s data communications channel for network element to network element communications. In the transmit direction, the line DCC byte is inserted from a dedicated 576 Kbit/s input, TLD. Line DCC can also be inserted via the TTOH port or the TRMP block. In the receive direction, the line DCC is extracted on a dedicated 576 Kbit/s output, RLD. Line DCC is also extracted on the RTOH port.

S1: The S1 byte provides the synchronization status message. Bits 5 through 8 of the synchronization status byte identify the synchronization source of the SONET/SDH signal. Bits 1 through 4 are currently undefined. In the transmit direction, the synchronization status message is inserted from the TRMP block. In the receive direction, the TRMP block provides register access to the synchronization status byte. The S1 byte is also available on the RTOH port.

Z1: The Z1 bytes are allocated for future growth. In the transmit direction, the Z1 growth bytes can be inserted via the TTOH port or the TRMP block. In the receive direction, the Z1 growth bytes are extracted and available on the RTOH port.

M1: The M1 byte provides a line remote error indication (REI) function for remote performance monitoring. In the transmit direction, the M1 byte is internally generated. The number of B2 errors detected in the previous interval is insert from the receive RRMP block or the TRCP port. In the receive direction, a legal REI value is added to the line REI event counter in the RRMP block.

Z2: The Z2 bytes are allocated for future growth. In the transmit direction, Z2 growth bytes can be inserted via the TTOH port or the TRMP block. In the receive direction, Z1 growth bytes are extracted and available on the RTOH port.

Path Overhead Bytes

All receive path overhead bytes are extracted and presented onto the RPOH port. All transmit path overhead bytes can be inserted via the TPOH port. When the transmit path overhead insertion interface is not being used the THPP should be set to use its internal insertion registers (see register description for THPP Indirect Register 01H-THPP Source and Pointer Control Register)

Note: When inserting POH data maintain consistent insertion via the TPOH port or via internal register configuration. When using the TPOH port, ensure that the POH data is only inserted into the TPOH port once the TPOHRDY signal is asserted to indicate that the SPECTRA 1x2488 is prepared to accept the POH serial data stream. As well, the POH data must be inserted on the TPOH port every opportunity indicated by the TPOHRDY signal. Toggling between TPOH insertion via TPOH port and internal register configuration may result in POH data corruption.

J1: The Path Trace byte is used to repetitively transmit a 64-byte CLLI message (for SONET/SDH networks), or a 16-byte E.164 address (for SDH networks). When not used, this byte should be set to transmit continuous null characters. Null is defined as the ASCII code, 0x00. The received path trace message is processed by the PATH RTTP block and also available on the RPOH port. The transmit path trace message can be programmed in the PATH TTTP, via the TPOH port or the THPP block.

B3: The path bit interleaved parity byte provides a path error monitoring function. In the transmit direction, the THPP block calculates the B3 code. The calculated code is then placed in the next frame. In the receive direction, the RHPP block calculates the B3 code and compares this calculation with the B3 code received in the following frame. B3 errors are accumulated in an error event counter of the RHPP.

C2: The path signal label indicator identifies the equipped payload type. In the transmit direction, the C2 byte can be inserted via the TPOH port or the THPP block. In the receive direction, the C2 byte is processed by the RHPP block for path signal label mismatch and unstable alarms and also for unequipped and payload defect indication alarms. The C2 byte is also available on the RPOH port.

G1: The path status byte provides a path remote error indication (REI) function, and a path remote defect indication (RDI) function. Three bits are allocated for remote defect indications: bit 5 (the path RDI bit), bit 6 (the auxiliary path RDI bit) and bit 7 (Enhanced RDI bit). Taken together these bits provide a eight state path RDI code that can be used to categorize path defect indications. In the transmit direction, the REI and RDI codes are internally generated. The RDI code is inserted from the receive RHPP block or the TRCP port. The number of B3 errors detected in the previous interval is inserted from the THPP block or the TRCP port. In the receive direction, a legal path REI value is added to the path REI event counter in the RHPP block.

H4: The multi-frame indicator byte is a payload specific byte. In the transmit direction, the H4 byte can be inserted via the TPOH port or the THPP block. In the receive direction, the H4 byte is extracted and available on the RPOH port..

Z3 Z4 Z5: The Z3, Z4 and Z5 bytes are allocated for future growth. In the transmit direction, the growth bytes can be inserted via the TPOH port or the THPP block. In the receive direction, the growth bytes are extracted and available on the RPOH port.

14.2 Accessing Indirect Registers

Indirect registers are used to conserve address space in the SPECTRA 1x2488. Indirect registers are accessed by writing the indirect address register. The following steps should be followed for writing to indirect registers:

1. Read the BUSY bit. If it is equal to logic 0, continue to step 2. Otherwise, continue polling the BUSY bit.
2. Write the desired configurations for the channel into the indirect data registers.
3. Write the channel number (indirect address) to the indirect address register with RWB set to logic 0.

4. Read BUSY. Once it equals 0, the indirect write has been completed.

The following steps should be followed for reading indirect registers:

1. Read the BUSY bit. If it is equal to logic 0, continue to step 2. Otherwise, continue polling the BUSY bit.
2. Write the channel number (indirect address) to the indirect address register with RWB set to logic 1.
3. Read the BUSY bit. If it is equal to logic 0, continue to 4. Otherwise, continue polling the BUSY bit.
4. Read the indirect data registers to find the state of the register bits for the selected channel number.

Note: The maximum busy bit set time is 22 clock RX/TX cycles except for the STSI block, which is 10 clock cycles.

14.3 Interrupt Service Routine

The SPECTRA 1x2488 will assert INTB to logic 0 when a condition that is configured to produce an interrupt occurs. To find which condition caused this interrupt to occur, the procedure outlined below should be followed:

1. Read the SPECTRA 1X2488 Interrupt Status registers at address 000FH to 0013H to find the functional block(s) that caused the interrupt. The interrupt status bits point to the functional block(s) that caused the hardware interrupt.
2. Find the register address of the corresponding block that caused the interrupt and read its Interrupt Status registers. The interrupt functional block and interrupt source identification register bits from step 1 are cleared once these register(s) have been read and the interrupt(s) identified.
3. Service the interrupt(s).
4. If the INTB pin is still logic 0, then there are still interrupts to be serviced and steps 1 to 3 need to be repeated. Otherwise, all interrupts have been serviced. Wait for the next assertion of INTB.

14.4 Using the Performance Monitoring Features

The performance monitor counters within the different blocks are provided for performance monitoring purposes. All performance monitor counters have been sized to not saturate if polled every second. The counters will saturate and not roll over if they reach their maximum value.

Each block's counters can be accumulated independently if one of the registers that contain the latched counter values is written to. A device update of all the counters can be done by writing to the SPECTRA 1x2488 Global Performance Monitor Update register (register 0000H). After this register is written to, the TIP bit in this register can be polled to determine when all the counter values have been transferred and are ready to be read.

14.5 Configuring SONET/SDH Payload from a Concatenated Stream to a Channelized Stream

When configuring SONET/SDH payload from a concatenated stream to a channelized stream (master/slave configuration), ensure that the payload pointer is recalculated when the payload is configured. After payload configuration,

1. Set Diag_NDFREQ bit 5 to "1" in SVCA Diagnostic/Configuration indirect register 0x02.
2. Clear Diag_NDFREQ bit 5 to "0" in SVCA Diagnostic/Configuration indirect register 0x02.

The SONET/SDH Virtual Container Aligners (SVCA) will correctly calculate the payload pointer and J1 pulses for concatenated and channelized payloads.

14.6 Translation from AU4/3x(TUG3/TU3/VC3) into 3x(AU3/VC3)

On the Receive side, the SPECTRA 1x2488 can be configured to translate AU4/3x(TUG3/TU3/VC3) payloads into 3x(AU3/VC3) payloads to bridge between SDH compliant and SONET compliant networks. The RHPP block interprets the AU4 pointer and terminates the VC4 POH. The RHPP TU3 block interprets the TU3 pointer and terminates the VC3 POH. Then, the SVCA block moves the VC3 fixed stuff columns from columns 1,2 to columns 30,59 (the container is lost). While performing rate adaptation, the SVCA block also generates three independent AU3 pointers for the DROP TelecomBus interface.

AU3/VC3 (Receive Side) => AU3/VC3 (DROP TelecomBus Interface)

1. Use the default setting in the RHPP Payload Configuration Register (0102H, 0502H, 0902H or 0D02H) for AU3 pointer interpretation.
2. Use the default setting in the RHPP TU3 Payload Configuration Register (0182H, 0582H, 0982H or 0D82H) for no TU3 pointer interpretation.
3. Use the default setting in the SVCA Payload Configuration Register (0202H, 0602H, 0A02H or 0E02H) for AU3 processing.

AU4/VC4 (Receive Side) => AU4/VC4 (DROP TelecomBus Interface)

1. Set the STS3C[4:1] bits in the RHPP Payload Configuration Register (0102H, 0502H, 0902H or 0D02H) for AU4 pointer interpretation..
2. Use the default setting in the RHPP TU3 Payload Configuration Register (0182H, 0582H, 0982H or 0D82H) for no TU3 pointer interpretation.

3. Set the STS3C[4:1] bits in the SVCA Payload Configuration Register (0202H, 0602H, 0A02H or 0E02H) for AU4 processing.

AU4/3x(TUG3/TU3/VC3) (Receive Side) => 3x(AU3/VC3) (DROP TelecomBus Interface)

1. Set the STS3C[4:1] bits in the RHPP Payload Configuration Register (0102H, 0502H, 0902H or 0D02H) for AU4 pointer interpretation..
2. Set the TUG3[4:1] bits in the RHPP TU3 Payload Configuration Register (0182H, 0582H, 0982H or 0D82H) for TU3 pointer interpretation.
3. Clear the STS3C[4:1] bits and set the TUG3[4:1] bits in the SVCA Payload Configuration Register (0202H, 0602H, 0A02H or 0E02H) for AU4/TU3=>AU3 translation.

14.7 Translation from 3x(AU3/VC3) into AU4/3x(TUG3/TU3/VC3)

On the ADD TelecomBus interface, the SPECTRA 1x2488 can be configured to translate 3x(AU3/VC3) payloads into AU4/3x(TUG3/TU3/VC3) payloads to bridge between SONET compliant and SDH compliant networks. The SVCA block moves the VC3 fixed stuff columns from columns 30,59 to columns 1,2 (the contains is lost). While performing rate adaptation, the SVCA block also generates three independent TU3 pointers and a fix AU4 pointer for the transmit side. The THPP TU3 block inserts the VC3 POH. The THPP block inserts the VC4 POH.

AU3/VC3 (ADD TelecomBus Interface) => AU3/VC3 (Transmit Side)

1. Use the default setting in the SVCA Payload Configuration Register (1202H, 1602H, 1A02H or 1E02H) for AU3 processing.
2. Use the default setting in the THPP TU3 Payload Configuration Register (1182H, 1582H, 1982H or 1D82H) for no TU3 POH insertion.
3. Use the default setting in the THPP Payload Configuration Register (1102H, 1502H, 1902H or 1D02H) for AU3 POH insertion..

AU4/VC4 (ADD TelecomBus Interface) => AU4/VC4 (Transmit Side)

1. Set the STS3C[4:1] bits in the SVCA Payload Configuration Register (1202H, 1602H, 1A02H or 1E02H) for AU4 processing.
2. Use the default setting in the THPP TU3 Payload Configuration Register (1182H, 1582H, 1982H or 1D82H) for no TU3 POH insertion.
3. Set the STS3C[4:1] bits in the THPP Payload Configuration Register (1102H, 1502H, 1902H or 1D02H) for AU4 POH insertion..

3x(AU3/VC3) (ADD TelecomBus Interface) => AU4/3x(TUG3/TU3/VC3) (Transmit Side)

1. Clear the STS3C[4:1] bits and set the TUG3[4:1] bits in the SVCA Payload Configuration Register (1202H, 1602H, 1A02H or 1E02H) for AU3 => AU4/TU3 translation.
2. Set the TUG3[4:1] bits in the THPP TU3 Payload Configuration Register (1182H, 1582H, 1982H or 1D82H) for TU3 POH insertion.
3. Set the STS3C[4:1] bits in the THPP Payload Configuration Register (1102H, 1502H, 1902H or 1D02H) for AU4 POH insertion..

14.8 Bit Error Rate Monitor

The SPECTRA 1x2488 provides two BERM blocks. One can be dedicated to monitoring the Signal Degrade (SD) error rates and the other dedicated to monitoring the Signal Fail (SF) error rates.

The Bit Error Rate Monitor (BERM) block counts and monitors line BIP errors over programmable periods of time (window size). It can monitor to declare an alarm or to clear it if the alarm is already set. A different threshold must be used to declare or clear the alarm, whether or not those two operations are performed at the same BER. The following tables list the recommended content of the BERM registers for different speeds (OC-N) and error rates (BER). Both BERM blocks in the SBER block are equivalent and are programmed similarly. In a normal application they will be set to monitor different BER.

When the SF/SD CMODE bit is 1, this indicates that clearing monitoring should be done using a window size that is 8 times longer than the declaration window size. When the SF/SD CMODE bit is 0 this indicates that clearing monitoring should be done using a window size equal to the declaration window size. In all cases the clearing threshold is calculated for a BER that is 10 times lower than the declaration BER, as required in the references. The tables indicate the declare BER, the evaluation period and the recommended CMODE and associated thresholds.

The Saturation threshold is not listed in the table, and is programmed with the value 0xFFFFFFFF by default, deactivating saturation. Saturation capabilities are provided to allow the user to address issues associated with error bursts. It enables the user to determine a ceiling value at which the error counters will saturate, letting error bursts pass through within a frame or sub window period.

Table 17 Recommended BERM Settings For Different OC and BER Rates, Meeting Bellcore Objectives

OC	Monitored Declare BER	Objective Met For Switching Time (s)	SF/SD CMODE	SF/SD SAP (hex)	SF/SD DECTH (hex)	SF/SD CLRTH (hex)
12	10 ⁻³	0.008	0	00000007	000828	0001AE
12	10 ⁻⁴	0.008	0	00000007	00016E	000036
12	10 ⁻⁵	0.025	0	00000016	000073	000014
12	10 ⁻⁶	0.250	0	000000DE	000075	000014

OC	Monitored Declare BER	Objective Met For Switching Time (s)	SF/SD CMODE	SF/SD SAP (hex)	SF/SD DECTH (hex)	SF/SD CLRTH (hex)
12	10 ⁻⁷	2.500	0	000008AE	000075	000014
12	10 ⁻⁸	21.000	0	000048EA	000061	000012
12	10 ⁻⁹	167.000	0	000243DC	00004B	00000F
48	10 ⁻³	0.008	0	00000007	002116	000677
48	10 ⁻⁴	0.008	0	00000007	0005F8	0000C1
48	10 ⁻⁵	0.008	0	00000007	000095	000019
48	10 ⁻⁶	0.063	0	00000037	000074	000014
48	10 ⁻⁷	0.625	0	0000022B	000075	000014
48	10 ⁻⁸	5.200	0	0000120E	000060	000011
48	10 ⁻⁹	42.000	0	000091D5	00004C	00000F

Table 18 Recommended BERM Settings For Different OC and BER Rates, Meeting Bellcore and ITU Requirements

OC	Monitored Declare BER	Requirement met for Switching Time (s)	SF/SD CMODE	SF/SD SAP (hex)	SF/SD DECTH (hex)	SF/SD CLRTH (hex)
12	10 ⁻³	0.01	0	00000008	00093C	0001F7
12	10 ⁻⁴	0.10	0	0000002B	00091D	00012C
12	10 ⁻⁵	1.00	0	00000192	000922	00011C
12	10 ⁻⁶	10.00	0	00000F98	000922	00011B
12	10 ⁻⁷	100.00	0	00009BD6	000922	00011A
12	10 ⁻⁸	1,000.00	0	00061647	000922	00011A
12	10 ⁻⁹	10,000.00	0	003CDEAD	000922	00011A
48	10 ⁻³	0.01	0	00000008	0025A5	00077B
48	10 ⁻⁴	0.10	0	0000002B	002554	000465
48	10 ⁻⁵	1.00	0	00000192	00256F	000426
48	10 ⁻⁶	10.00	0	00000F98	002570	000420
48	10 ⁻⁷	100.00	0	00009BD6	002571	00041F
48	10 ⁻⁸	1,000.00	0	00061647	002571	00041F
48	10 ⁻⁹	10,000.00	0	003CDEAD	002571	00041F

14.9 Setting Up Timeslot Assignments in the STSI

The STSI blocks in the SPECTRA 1x2488 (ASTSI and DSTSI) can be used to rearrange the position of the system side SONET/SDH timeslots. Each block buffers 48 timeslots and rearranges them as desired before outputting them. The STSI blocks allow user configuration of timeslot mappings, basic bypass of timeslots, and predefined mappings for standard TelecomBus interfaces.

14.9.1 Standard TelecomBus Timeslot Map

The standard TelecomBus Timeslot Map at the SPECTRA 1x2488 system side interface is shown in Table 19. The following discussion references AD[x][7:0] and DD[x][7:0], but can also apply to their associated control signals.

Payload bytes from the SONET/SDH stream are labeled by S_{x,y}. Within S_{x,y}, the STS-3/STM-1 number is given by ‘x’ and the column number within the STS-3/STM-1 is given by ‘y’. With such a mapping, an STS-12c/STM-4c data stream will be transferred across one complete AD[x][7:0] or DD[x][7:0] bus.

Table 19 Standard TelecomBus Timeslot Map

AD[1][7:0] DD[1][7:0]	S1,1	S2,1	S3,1	S4,1	S1,2	S2,2	S3,2	S4,2	S1,3	S2,3	S3,3	S4,3
AD[2][7:0] DD[2][7:0]	S5,1	S6,1	S7,1	S8,1	S5,2	S6,2	S7,2	S8,2	S5,3	S6,3	S7,3	S8,3
AD[3][7:0] DD[3][7:0]	S9,1	S10,1	S11,1	S12,1	S9,2	S10,2	S11,2	S12,2	S9,3	S10,3	S11,3	S12,3
AD[4][7:0] DD[4][7:0]	S13,1	S14,1	S15,1	S16,1	S13,2	S14,2	S15,2	S16,2	S13,3	S14,3	S15,3	S16,3

14.9.2 Custom Timeslot Mappings

If the ASTSISW[1:0] or DSTSISW[1:0] bits are set to ‘b00, then the corresponding STSI block will be set for custom timeslot mapping. This permits the user to swap the position of or multicast any STS-1/STM-0 timeslot.

The channels must still fit into the required system side timeslot map in a manner required by a channel of such a rate. For example, an STS-3c channel which occupied system side timeslots S1,1 and S1,2 and S1,3 in Table 19 can be moved to line side timeslots S7,1 and S7,2 and S7,3. The analogous mapping can be done from the line side timeslots to the system side timeslots.

The following procedure shows how the ASTSI block can be programmed to perform such a remapping of timeslots. Page 0 of the ASTSI block is configured in the example.

1. Set ASTSISW[1:0] equal to ‘b00.
2. For the ASTSI, the base address STSI_BASE is 1220H.
3. Read BUSY in the STSI Indirect Address register at STSI_BASE + 00H. If it is logic 0, proceed to step 4. Otherwise, poll BUSY until it is logic 0.
4. Write 0010H to the STSI Indirect Data register at STSI_BASE + 01H to set TSIN[3:0] to 1 and DINSEL[1:0] to 0. This selects the AD[1][7:0] timeslot S1,1 as the input timeslot.
5. Write 0031H to the STSI Indirect Address register at STSI_BASE + 00H to set TSOUT[3:0] to 3 and DOUTSEL[1:0] to 1. This selects the position S7,1 on the output line side timeslot in the page 0 mapping of the ASTSI.

6. Read BUSY in the STSI Indirect Address register at STSI_BASE + 00H. If it is logic 0, proceed to step 7. Otherwise, poll BUSY until it is logic 0.
7. Write 0050H to the STSI Indirect Data register at STSI_BASE + 01H to set TSIN[3:0] to 5 and DINSEL[1:0] to 0. This selects the AD[1][7:0] timeslot S1,2 as the input timeslot.
8. Write 0071H to the STSI Indirect Address register at STSI_BASE + 00H to set TSOUT[3:0] to 7 and DOUTSEL[1:0] to 1. This selects the position S7,2 on the output line side timeslot in the page 0 mapping of the ASTSI.
9. Read BUSY in the STSI Indirect Address register at STSI_BASE + 00H. If it is logic 0, proceed to step 10. Otherwise, poll BUSY until it is logic 0.
10. Write 0090H to the STSI Indirect Data register at STSI_BASE + 01H to set TSIN[3:0] to 9 and DINSEL[1:0] to 0. This selects the AD[1][7:0] timeslot S1,3 as the input timeslot.
11. Write 00B1H to the STSI Indirect Address register at STSI_BASE + 00H to set TSOUT[3:0] to BH and DOUTSEL[1:0] to 1. This selects the position S7,3 on the output line side timeslot in the page 0 mapping of the ASTSI.
12. Go back to step 1 if you want to configure more timeslot mappings.

14.9.3 Active and Standby Pages in the STSI Blocks

The STSI blocks contain 2 pages of configurations: an active page, and an inactive page. Selection of the page in use in the ASTSI is done by the ACMP input signal. Selection of the page in use in the DSTSI is done by the DCMP input signal.

The existence of an active page and an inactive page allows the user to set-up an alternate timeslot mapping on multiple devices or multiple STSI blocks before performing a global switch to the new mapping. The swapping of the page in use is done at transport frame boundaries. The ACMP and DCMP are sampled at the J0 locations defined by PL equal logic 0 and J0J1 equal logic 1.

14.10 PRBS Generator and Monitor (PRGM)

A pseudo-random (using the $X^{23}+X^{18}+1$ polynomial) or incrementing pattern can be inserted/extracted in the SONET/SDH payload. The user has the option to monitor a programmable sequence in all the B1 byte positions. The complement of these values are also monitored in the E1 byte positions. This is used to check for any misconfiguration of STS-1 cross-connect fabrics. If a known STS-1 originated from a particular STS-1 port, the source can be programmed to send a B1 pattern that would be monitored at the other end.

14.10.1 Mixed Payload (STS-12c, STS-3c, and STS-1)

Each PRGM is designed to process the payload of an STS-12/STM-4 frame in a time-multiplexed manner. Each time division (12 STS-1 paths) can be programmed to a granularity of a STS-1. It is possible to process one STS-12c/STM-4c, twelve STS-1/STM-0 or four STS-3c/STM-1 or a mix of STS-1/STM-0 and STS-3c/STM-1 as long as the aggregate data rate is not more than one STS-12/STM-4 equivalent. The mixed payload configuration can support the three STS-1/STM-0 and STS-3c/STM-1 combinations shown below:

- Three STS-1/STM-0 with three STS-3c/STM-1.
- Six STS-1/STM-0 with two STS-3c/STM-1.
- Nine STS-1/STM-0 with one STS-3c/STM-1.

The STS-1 path that each one of the payloads occupies cannot be chosen randomly. They must be placed on STS-3c/STM-1 boundaries (group of three STS-1).

14.10.2 Synchronization

Before being able to monitor the correctness of the PRBS payload, the monitor must synchronize to the incoming PRBS. The process of synchronization involves synchronizing the monitoring LFSR to the transmitting LFSR. Once the two are synchronized the monitoring LFSR is able to generate the next expected PRBS bytes. When receiving sequential PRBS bytes (STS-12c/VC-4-4c), the LFSR state is determined after receiving 3 PRBS bytes (24 bits of the sequence). The last 23 of 24 bits (excluding MSB of first received byte) would give the complete LFSR state. The 8 newly generated LFSR bits after a shift by 8 (last 8 XOR products) will produce the next expected PRBS byte.

In master/slave configuration of the monitor (processing STS-48c/VC-4-16c) more bytes are needed to recover the LFSR state, because the slaves need a few bytes to be synchronized with the J1 byte indicator.

The implemented algorithm requires four PRBS bytes of the same payload to ascertain the LFSR state. From this recovered LFSR state the next expected PRBS byte is calculated.

An Out of Synchronization and Synchronized State is defined for the monitor. While in progress of synchronizing to the incoming PRBS stream, the monitor is out of synchronization and remains in this state until the LFSR state is recovered and the state has been verified by receiving 4 consecutive PRBS bytes without error. The monitor will then change to the Synchronized State and remains in that state until forced to resynchronize via the RESYNC register bit or upon receiving 4 erred bytes. When forced to resynchronize, the monitor changes to the Out of Synchronization State and tries to regain synchronization.

Upon detecting 4 consecutive PRBS byte errors, the monitor will enter the Out of Synchronization State and automatically try to resynchronize to the incoming PRBS stream. Once synchronized to the incoming stream, it will take 4 consecutive non-erred PRBS bytes to change back into the Synchronized State. The auto synchronization is useful when the input frame alignment of the monitored stream changes. The realignment will affect the PRBS sequence causing all input PRBS bytes to mismatch and forcing the need for a resynchronization of the monitor. The auto resynchronization does this, detecting a burst of errors and automatically re-synchronizing.

14.10.3 Master/Slave Configuration for STS-48c or STM-16c Payloads

To monitor STS-48c or STM-16c payloads, a master/slave configuration is available where each monitor receives 1/n of the concatenated stream. In the case of an STS-48c/STM-16c, 4 PRGMs are used in a master/slave configuration. Because the payload is four bytes interleaved, after a group of four consecutive bytes, a jump in the sequence takes place. The number of bytes that must be skipped can be determined using the number of PRGMs in the master/slave configuration. For example, to process an STS-48c/STM-16c, the number of sequence to skip is $(4 \text{ PRGMs} * 4 \text{ bytes}) - 3 = 13$. So, 13 sequences will be skipped after each group of four consecutive bytes.

The PRBS monitor can be re-initialize by the user by writing in a normal register of the master PRGM. Since all the slave PRGMs use the LFSR state of the previous PRGM in the chain, they will be re-initialize too.

14.10.4 Error Detection and Accumulation

By comparing the received PRBS byte with the calculated PRBS byte, the monitor is able to detect bit errors in the payload. A bit error is detected on a comparison mismatch of the two bytes. All bit errors are accumulated in a 16-bit error counter. The error counter will saturate at its maximum value of FFFFh, i.e. it will not wrap around to 0000h if further PRBS byte errors are encountered. The counter is readable via the PRGM Monitor Error Count. An indirect read to that register will initiate a transfer of the error counter into the registers for reading. The error counter is cleared when transferred into the registers and the accumulation starts at zero.

Bit errors are accumulated only when the monitor is in synchronized state. To enter the synchronize state, the monitor must have synchronized to the incoming PRBS stream and received 4 consecutive bytes without errors. Once synchronized, the monitor falls out of synchronization when forced to by programming high the RESYNC register bit, or once it detects 4 consecutive PRBS byte errors. When out of synchronization, detected errors are not accumulated.

14.11 Path Unequipped Configuration

The THPP can be configured to insert all zeros in a payload when the path is define as unequipped.

Setting a payload unequipped for an:

- STS-48C: set UNEQ to logic 1 and UNEQV to logic 0 for path 1 of the master and slave(s) THPP(s).
- STS-12C: set UNEQ to logic 1 and UNEQV to logic 0 for path 1 of the THPP.
- STS-3C: set UNEQ to logic 1 and UNEQV to logic 0 for the corresponding STS-3C (VC-4) path 1, 2, 3 or 4 of the THPP.
- STS-1: set UNEQ to logic 1 and UNEQV to logic 0 for the corresponding STS-1 (VC-3) path of the THPP.
- TUG-3: set UNEQ to logic 1 and UNEQV to logic 0 for the corresponding VC-3 path of the TU3 THPP.

Note: For an unequipped path, the THPP fixed stuff columns overwrite must be disable for the corresponding path in order to generate a valid B3.

14.12 Disabling Transmit Add Bus Pointer Interpreter

If the Transmit Add Bus Pointer Interpreter (TAPI) is disabled while certain path alarms are in the active state (i.e. PAIS, PLOP, PAISC, PLOPC), these alarms will still be seen by the transmit SVCA. To prevent consequential and automatic (no user control) PAIS to be inserted into the transmit path by the transmit SVCA, the user must ensure that there are no path alarms pending in TAPI prior to disabling it. Therefore, to disable the generation of the LOP-P and AIS-P alarms by the TAPI, set PAISPTRCFG[1:0] and PLOPTRCFG[1:0] to 11b in register 0x0019H.

14.13 Invalid Concatenation Pointer Processing Disable Bit

The PTRCDIS [11] bit (0105H, 0505H, 0905H and 0D05H registers) enables and disables the RHPP concatenation pointer interpreter for both path number 11 and 12. When PTRCDIS [11] is set to logic-1, the RHPP pointer interpreter will not declare LOPC-P and AISC-P defects for both path 11 and path 12. When PTRCDIS [11] is set to logic-0, LOPC-P and AISC-P defects will be declared for both path number 11 and 12. The PTRCDIS [12] bit is invalid.

This issue will only affect the follow payload mappings:

- Path 4-8-12 is an STS-3c/AU4, and path 11 is an STS-1.
- Path 3-7-11 and 4-8-12 are STS-3c/AU4, and the required PTRCDIS value are different.

This issue will not affect other payload mappings including:

- STS-48c/AU4-16c. (All PTRCDIS bits have the same value)
- STS-12c/AU4-4c. (All PTRCDIS bits have the same value)
- Path 11 and path 12 are STS-1. (The PTRCDIS bits are not applicable)
- Path 3-7-11 is an STS-3c/AU4 and path 12 is an STS-1. (The PTRCDIS bit is not applicable)
- Path 3-7-11 and 4-8-12 are both STS-3c/AU4 and the required PTRCDIS bits values is identical. (PTRCDIS [11] = PTRCDIS [12])

Workarounds

Workaround #1:

The following workaround apply to the condition when path 4-8-12 is an STS-3c/AU4, and path 11 is an STS-1:

13. Set the PTRCDIS [11] bit in the RHPP block to the required PTRCDIS [12] value.
14. Set the PTRCDIS [12] bit in the RHPP block to the required PTRCDIS [12] value.

When PTRCDIS [11] is set to logic-1, the RHPP concatenation pointer interpreter for path 12 is disabled, and when PTRCDIS [11] is set to logic-0, the concatenation pointer interpreter for path 12 is enabled. The PTRCDIS bit is not applicable to STS-1 path, setting PTRCDIS [11] to any values will not affect path 11.

Workaround #2:

The following workaround apply to the condition when path 3-7-11 and 4-8-12 are STS-3c/AU4, and the required PTRCDIS [11] and PTRCDIS [12] values are different:

1. Set PTRCDIS [11] bit in the RHPP block to logic-0. This will enable the RHPP concatenation pointer interpreter for both path number 11 and 12, and LOPC-V and AISC-V condition will be declared.
2. Set PTRCDIS [12] bit in the RHPP block to the required PTRCDIS [12] value.
3. Configure the PAISPTRCFG [1:0] bit in the SARC block for path 3-7-11 and path 4-8-12 to one of the following settings:

PAISPTRCFG [1:0]	Descriptions
00b	PAISPTRV and PAISPTRI are asserted when the master path of an STS-3c/AU4 payload contains AIS-P. Use this setting when concatenation pointer status is ignored. (Bellcore compliant)
01b	PAISPTRV and PAISPTRI are asserted when the master path or any slave paths of an STS-3c/AU4 contain AIS-P.
10b	PAISPTRV and PAISPTRI are asserted when the master path and all slave paths of an STS-3c/AU4 contain AIS-P. (ITU and ETSI compliant)

4. Configure the PLOPTRCFG [1:0] bit in the SARC block for path 3-7-11 and path 4-8-12 to one of the following settings:

PLOPTRCFG [1:0]	Descriptions
00b	PLOPTRV and PLOPTRI are asserted when the master path of an STS-3c/AU4 is in LOP state. Use this setting when concatenation pointer status is ignored. (Bellcore compliant)
01b	PLOPTRV and PLOPTRI are asserted when the master path or any slave paths of an STS-3c/AU4 are in LOP state.
10b	PLOPTRV and PLOPTRI are asserted when the master path and all slave paths of an STS-3c/AU4 are in LOP state. (ITU and ETSI complaint)

5. Monitor LOP-P (PLOPTRV or PLOPTRI) and AIS-P (PAISPTRV or PAISPTRI) status in SARC block.

Performance with Workaround

Workaround #1:

The RHPP concatenation pointer interpreter for path 12 will be enabled and disabled by the PTRCDIS [11] bit. When PTRCDIS [11] is set to logic-1, the concatenation pointer interpreter for path 12 is disabled, and when PTRCDIS [11] is set to logic-0, the concatenation pointer interpreter for path 12 is enabled. The PTRCDIS bit is not applicable to STS-1 path, setting PTRCDIS [11] to any values will not affect path 11.

Workaround #2:

The RHPP concatenation pointer interpreter will be enabled in path 11 and 12. As the result, the LOPC-P and AISC-P bits in the RHPP block will declare LOP-P and AIS-P conditions.

If AISPC status are not required for path #x-y-z, the SARC PAISPTRCFG [1:0] for path #x-y-z should be set to 00b, and the SARC PAISPTRV or PAISPTRI bit will be monitored for AIS-P conditions. Conversely, if AISPC status are required for path #x-y-z, the SARC PAISPTRCFG [1:0] for path #x-y-z should be set to 10b, and the SARC PAISPTRV or PAISPTRI bit will be monitored for AIS-P conditions.

Similarly, If LOPC status are not required for path #x-y-z, the SARC PLOPPTRCFG [1:0] for path #x-y-z should be set to 00b, and the SARC PLOPPTRV or PLOPPTRI bit will be monitored for AIS-P conditions. Conversely, if AISPC status are required for path #x-y-z, the SARC PLOPPTRCFG [1:0] for path #x-y-z should be set to 10b, and the SARC PLOPTRV or PLOPPTRI bit will be monitored for LOP-P conditions.

Performance Without Workaround

The PTRCDIS [11] bit (0105H, 0505H, 0905H and 0D05H registers) will control the RHPP concatenation pointer interpreter for both path 11 and 12. When PTRCDIS [11] is set to logic-1, the RHPP pointer interpreter will not declare LOPC-P and AISC-P defects for both path 11 and path 12. When PTRCDIS [11] is set to logic-0, LOPC-P and AISC-P defects will be declare for both path 11 and path 12. The PTRCDIS [12] bit is invalid.

14.14 4x622 Analog Block does not detect an All '0' or All '1' Data Pattern

Noise on the AC coupled RXD[1-4] inputs causes transitions on the receiver inputs preventing detection of an all '0' or all '1' output data pattern from the optics. As a result, Loss of Signal (LOS) is not detected from an all '0' data pattern and RCLK is not forced to lock to REF77. The SD inputs must be used to detect LOS.

In OC-48 mode this is not an issue because the receive 2488 analog block is able to detect a series of all '0' or '1'.

If the RCLK[1-4] in question is used as the source for either loop-timing or line-timing applications, then additional workarounds are required.

Workarounds

Connect the SD[1-4] input pin with the corresponding SD or LOS pin from the optical module.

Workarounds for loop-timed or line-timed systems using RCLK[1-4].

Software workaround for line-timed applications

- Set the LOSE bit 2 to '1' in the corresponding "RRMP Interrupt Enable" register 0082H, 0482H, 0882H or 0C82H to trigger the SPECTRA 1x2488 INTB interrupt pin. The card's software will then have to trigger a clock protection switch based on the LOS interrupt.

Hardware workaround for loop-timed or line-timed applications

- Set only the LOSEN bit 2 in the corresponding "SARC Section Receive SALM Enable" register 0263H, 0663H, 0A63H or 0E63H. Register value 0x0004.
- Use the corresponding SALM[1-4] output to trigger a clock protection switch from RCLK[1-4] to local clock.

Performance With Workaround

LOS will be detected in RRMP block based on a loss of signal declared by the optics module. Depending on which additional workaround is used, either a pulse on the SALM[1-4] output pin or an LOS interrupt will be generated by the RRMP block. RCLK[1-4] will not lock to REFCLK when the optical module outputs an all '0' or all '1' data pattern.

Performance Without Workaround

RCLK[1-4] will not lock to REFCLK and LOS will not be declared when the optical module outputs an all '0' or all '1' data pattern. RCLK[1-4]'s frequency will continuously move while the CDRU attempts to lock to the transitions seen on the receiver input during an all '0' or all '1' data pattern.

14.15 Loop Back Operation

The SPECTRA 1x2488 supports four loop back functions: line-side line loop back, system-side line loop back, serial diagnostic loop back and parallel diagnostic loop back. The system-side line loop back mode is configurable for each path while the remaining loop back modes are configurable for each slice.

The system-side line loop back and parallel diagnostic loop back modes are activated by the SLLBEN and PDLB bits contained in the SPECTRA 1x2488 top-level registers.

The line-side line loop back connects the receive data to transmit data in SERDES blocks. This includes the internal clock recovery and clock synthesis, but excludes all SONET frame processing. While in this mode, the entire receive path is operating normally. In order for proper line-side line loop back operation, you must enable LOOPTIME. This can be enabled in 2488 mode by setting the LINE_LOOP_BACK bit in register 0x0023 and the SLLE2488 bit in register 0x1020 to logic 1. The CSU_MODE[7] bit in register 0x1021 must also be set to logic 0. This can also be enabled in Quad 622 mode by setting SLLE622 and LOOPT to logic 1 in registers 0x1060H 0x1460H 0x1860H 0x1C60H.

The system-side line loop back (SLLBEN) connects the DROP TelecomBus to the ADD TelecomBus, and can be used for line side investigations (including the external clock recovery and clock synthesis, and including the SPECTRA 1x2488 path processing). While in this mode, the entire receive path is operating normally. To perform this loop back, DCK and ACK must be synchronous. Note: For proper operation when the AJ0J1_FP port contains no valid framing, the AFPEN mode (bit 14 of register 0016H) must be configured and the AFPMASK mask (bit 15 of register 001DH) must be enabled. The system-side line loop back is enabled by the top level SLLBEN register bits.

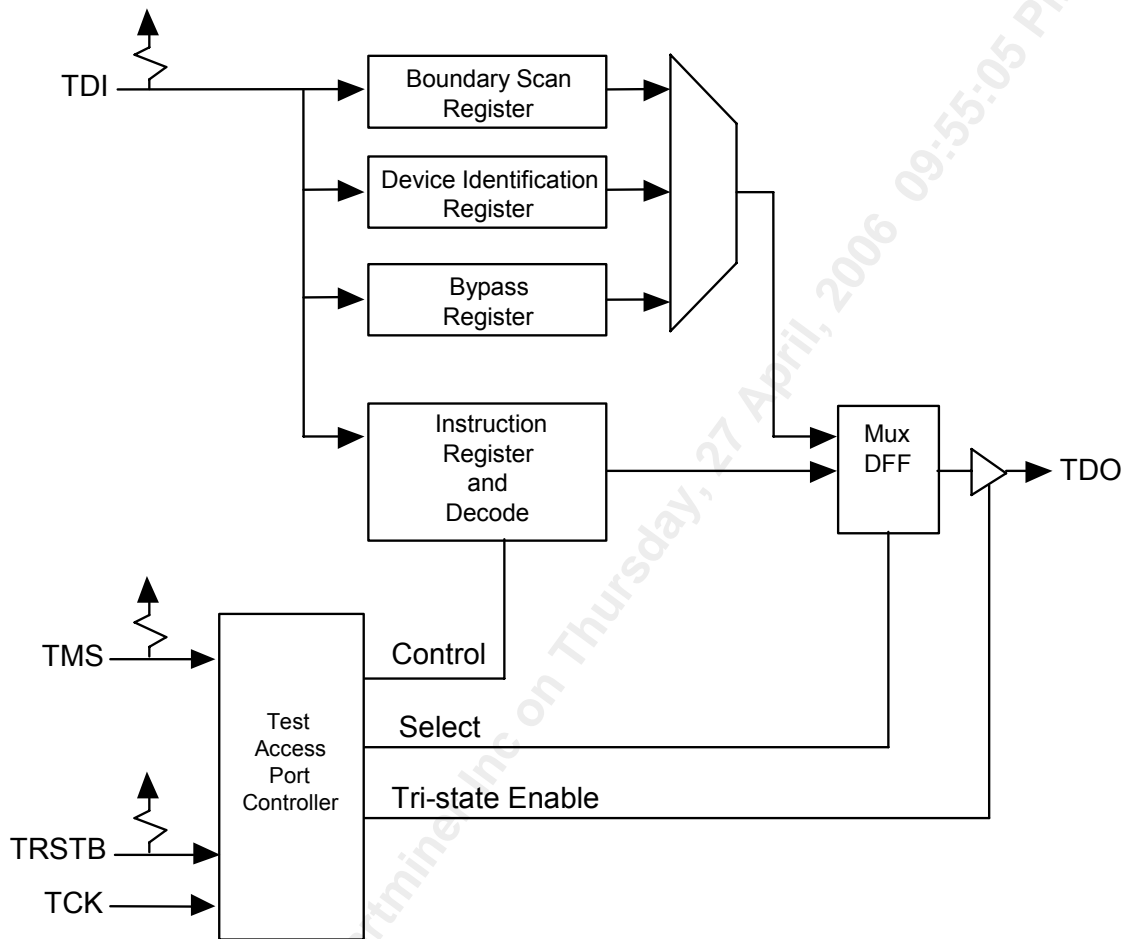
Serial Diagnostic Loop Back enables a loop back from the transmit 2.488 Gbit/s serial line to the receive 2.488 Gbit/s serial line in single 2488 mode or from each transmit 622 Mbit/s serial line to the corresponding receive 622 Mbit/s serial line. In 2488 mode, it is enabled by setting the SDLE2488 bit in register 0x0022. In quad 622 mode, it is enabled by setting SDLE622 bit high in registers 0x0035H 0x0435H 0x0835H 0x0c35H.

Parallel diagnostic Loop Back enables a digital loop back from the transmit line to the receive line before the SERDES analog circuitry. In single 2488 mode, it is enabled by setting the PDLB bit high in register 0x0003H. In the quad 622 mode, it is enabled by setting the PDLB1-4 bits high in register 0x0003H. Note when the SD/LOS/DOOLEN bit is set HIGH in the SARC Section Receive AIS-L Enable register, AIS-L is inserted in the receive data stream when “Signal Detect” or “Loss of Signal” or “Data Out of Lock” is detected. This is the correct operation of the feature, however, when parallel diagnostic loopback is also enabled in both single 2488 mode and quad 622 mode, AIS-L is inserted in the receive data stream. This is not the correct operation and the feature should be disabled when in parallel diagnostic loopback mode. To do this, clear the SD/LOS/DOOLEN bit 10 of the “SARC Section Receive AIS-L Enable” registers 0264H, 0664H, 0A64H, and 0E64H when parallel diagnostic loopback is enabled. AIS-L will not be inserted into receive data stream by the SARC block when the “Signal Detect” or “Loss of Signal” or “Data Out of Lock” defects are detected.

14.16 JTAG Support

The SPECTRA 1x2488 supports the IEEE Boundary Scan Specification as described in the IEEE 1149.1 standards. The Test Access Port (TAP) consists of the five standard pins, TRSTB, TCK, TMS, TDI and TDO used to control the TAP controller and the boundary scan registers. The TRSTB input is the active-low reset signal used to reset the TAP controller. TCK is the test clock used to sample data on input, TDI and to output data on output, TDO. The TMS input is used to direct the TAP controller through its states. The basic boundary scan architecture is shown below.

Figure 26 Boundary Scan Architecture



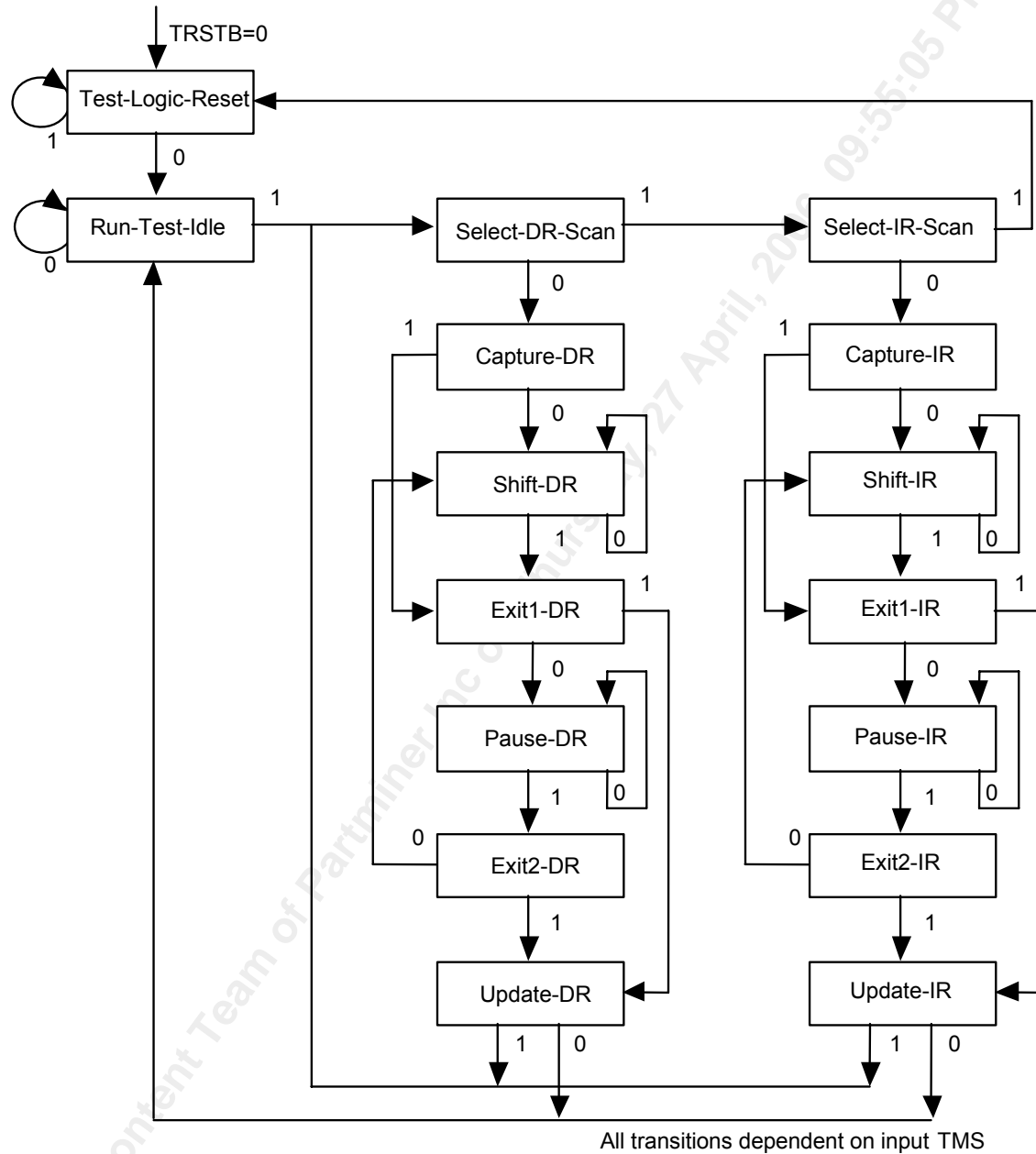
The boundary scan architecture consists of a TAP controller, an instruction register with instruction decode, a bypass register, a device identification register and a boundary scan register. The TAP controller interprets the TMS input and generates control signals to load the instruction and data registers. The instruction register with instruction decode block is used to select the test to be executed and/or the register to be accessed. The bypass register offers a single-bit delay from primary input, TDI to primary output, TDO. The device identification register contains the device identification code.

The boundary scan register allows testing of board inter-connectivity. The boundary scan register consists of a shift register placed in series with device inputs and outputs. Using the boundary scan register, all digital inputs can be sampled and shifted out on primary output, TDO. In addition, patterns can be shifted in on primary input, TDI and forced onto all digital outputs.

14.16.1 TAP Controller

The TAP controller is a synchronous finite state machine clocked by the rising edge of primary input, TCK. All state transitions are controlled using primary input, TMS. The finite state machine is described below.

Figure 27 TAP Controller Finite State Machine



14.16.2 States

Test-Logic-Reset

The test logic reset state is used to disable the TAP logic when the device is in normal mode operation. The state is entered asynchronously by asserting input, TRSTB. The state is entered synchronously regardless of the current TAP controller state by forcing input, TMS high for 5 TCK clock cycles. While in this state, the instruction register is set to the IDCODE instruction.

Run-Test-Idle

The run test/idle state is used to execute tests.

Capture-DR

The capture data register state is used to load parallel data into the test data registers selected by the current instruction. If the selected register does not allow parallel loads or no loading is required by the current instruction, the test register maintains its value. Loading occurs on the rising edge of TCK.

Shift-DR

The shift data register state is used to shift the selected test data registers by one stage. Shifting is from MSB to LSB and occurs on the rising edge of TCK.

Update-DR

The update data register state is used to load a test register's parallel output latch. In general, the output latches are used to control the device. For example, for the EXTEST instruction, the boundary scan test register's parallel output latches are used to control the device's outputs. The parallel output latches are updated on the falling edge of TCK.

Capture-IR

The capture instruction register state is used to load the instruction register with a fixed instruction. The load occurs on the rising edge of TCK.

Shift-IR

The shift instruction register state is used to shift both the instruction register and the selected test data registers by one stage. Shifting is from MSB to LSB and occurs on the rising edge of TCK.

Update-IR

The update instruction register state is used to load a new instruction into the instruction register. The new instruction must be scanned in using the Shift-IR state. The load occurs on the falling edge of TCK.

The Pause-DR and Pause-IR states are provided to allow shifting through the test data and/or instruction registers to be momentarily paused.

Boundary Scan Instructions

The following is a description of the standard instructions. Each instruction selects a serial test data register path between input, TDI and output, TDO.

14.16.3 Instructions

BYPASS

The bypass instruction shifts data from input, TDI to output, TDO with one TCK clock period delay. The instruction is used to bypass the device.

EXTEST

The external test instruction allows testing of the interconnection to other devices. When the current instruction is the EXTEST instruction, the boundary scan register is placed between input, TDI and output, TDO. Primary device inputs can be sampled by loading the boundary scan register using the Capture-DR state. The sampled values can then be viewed by shifting the boundary scan register using the Shift-DR state. Primary device outputs can be controlled by loading patterns shifted in through input TDI into the boundary scan register using the Update-DR state.

SAMPLE

The sample instruction samples all the device inputs and outputs. For this instruction, the boundary scan register is placed between TDI and TDO. Primary device inputs and outputs can be sampled by loading the boundary scan register using the Capture-DR state. The sampled values can then be viewed by shifting the boundary scan register using the Shift-DR state.

IDCODE

The identification instruction is used to connect the identification register between TDI and TDO. The device's identification code can then be shifted out using the Shift-DR state.

STCTEST

The single transport chain instruction is used to test out the TAP controller and the boundary scan register during production test. When this instruction is the current instruction, the boundary scan register is connected between TDI and TDO. During the Capture-DR state, the device identification code is loaded into the boundary scan register. The code can then be shifted out output, TDO using the Shift-DR state.

14.17 Board Design Recommendations

The noise environment and signal integrity are often the limiting factors in system performance. Therefore, the following board design guidelines must be followed in order to ensure proper operation:

1. Use a single plane for grounds.
2. Provide separate +3.3 volt analog transmit, +3.3 volt analog receive, and +3.3 volt digital supplies, but otherwise connect the supply voltages together at one point close to the connector where +3.3 volts is brought to the card.
3. Provide separate +1.8 volt analog transmit, +1.8 volt analog receive, and +1.8 volt digital supplies, but otherwise connect the supply voltages together at one point close to the connector where +1.8 volts is brought to the card.

4. Ferrite beads are not advisable in digital switching circuits because inductive spiking (di/dt noise) is introduced into the power rail. Simple RC filtering is the best approach provided care is taken to ensure the IR drop in the resistance does not lower the supply voltage below the recommended operating voltage.
5. High-frequency decoupling capacitors are recommended for the analog power pins as close to the package pin as possible. Separate decoupling is required to prevent the transmitter from coupling noise into the receiver and to prevent transients from coupling into some reference circuitry. See the section on Power Information for more details.
6. The high speed signals must be routed with 50 ohm controlled impedance circuit board traces and must be terminated with a matched load. Normal TTL-type design rules are not recommended and will reduce the performance of the device. See the section on interfacing to ECL and PECL devices for more details.

Please refer to the SPECTRA 1x2488 reference designs (PMC-2020859, PMC-2021567) for further recommendations

14.18 Power Up Sequence

14.18.1 Single STS-48/STM-16 Mode Operation

To configure the SPECTRA 1x2488 device in 1x2488 mode, configure the SERDES 1x2488 on the chip in normal operation mode and the SERDES 4x622 on the chip in power down mode. After reset, as long as the QUAD622 pin is low, the SERDES 4x622 will be automatically powered down to save power and the SERDES 1x2488 will be powered up in normal mode. Wait for at least 5 ms before configuring the chip registers.

1. Write the TDCLKOEN bit in Register 0x1040H to logic 1.

14.18.2 Quad STS-12/STM-4 Mode Operation

To configure the SPECTRA 1x2488 device into 4x622 mode, configure the receive and transmit buffers in SERDES 1x2488 on the chip in normal operation mode and the SERDES 4x622 on the chip in normal mode. To save power, power down the rest of the SERDES 1x2488 Analog. (Note default 77.76 MHz clock frequency on the REF77_P/N input pins)

1. Set the Quad622 pin high.
2. Reset the SPECTRA 1x2488 device.
3. Write the TX2488_MODE[2] bit in Register 0x1020H to logic 1.
4. Write Register 0x1021H to set RX_REF_ENABLE to logic 0, TX2488_ENABLE to logic 1, C2C_ENABLE to logic 0, and CSU_ENABLE to logic 0.
5. Write Register 0x0022H to set RX2488_ENABLE to logic 1, CRU_ENABLE to logic 0, and SLICE1_RX622_EN to logic 1.
6. Wait for 5 ms.

7. Clear bit 1 to logic 0 in Register 0x0031H. The new register value being 0x4A1D.
8. Clear the PWRDN bit to logic 0 in Registers 0x1063H, 0x1463H, 0x1863H, and 0x1C63H to initialize the JAT622.
 - o Wait for 5 ms before configuring the registers.

Configuration of REF77_P/N for 155.52MHz Reference Clock

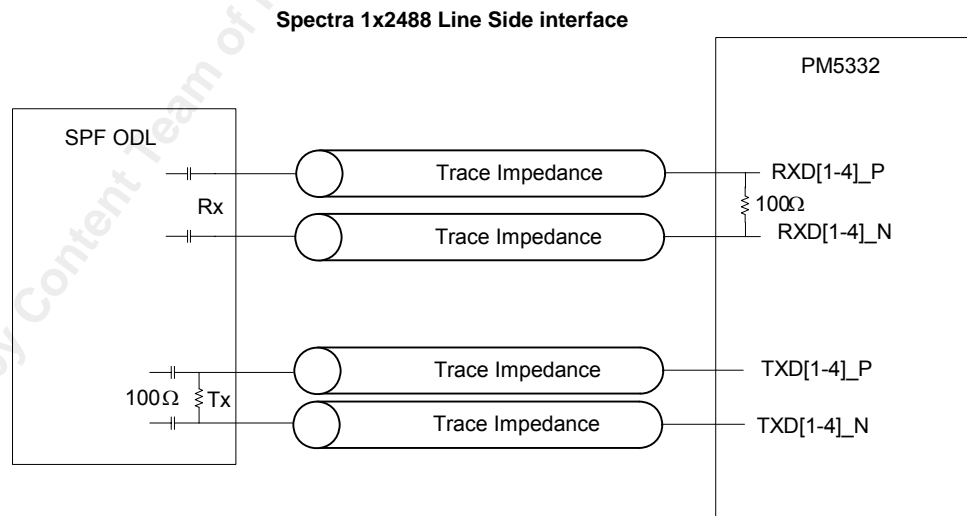
To configure the SPECTRA 1x2488 device into 4x622 mode using a 155.52MHz clock frequency in place of the default 77.76 MHz clock frequency on the REF77_P/N input pins perform the following. Configure the receive and transmit buffers in SERDES 1x2488 on the chip in normal operation mode and the SERDES 4x622 on the chip in normal mode. To save power, power down the rest of the SERDES 1x2488 Analog.

1. Follow Power-Up Sequence detailed in “Quad STS-12/STM-4 Mode Operation” section 14.16.2 above.
2. Set ARST_4x622 bit 4 to ‘1’ in “SPECTRA 1x2488 Master Configuration” reg 0x0000.
3. Set REF_MODE bit 2 to '1' and IREF_MODE[1:0] bits [4:3] to ‘00’ in “Quad 622 MABC General Control Register” reg 0x0030.
4. Clear ARST_4x622 bit 4 to ‘0’ in “SPECTRA 1x2488 Master Configuration” reg 0x0000.

14.19 Interfacing to SFP ODL Devices

Figure 28 illustrates the recommended connections.

Figure 28 Interfacing SPECTRA 1x2488 PECL Line Interface



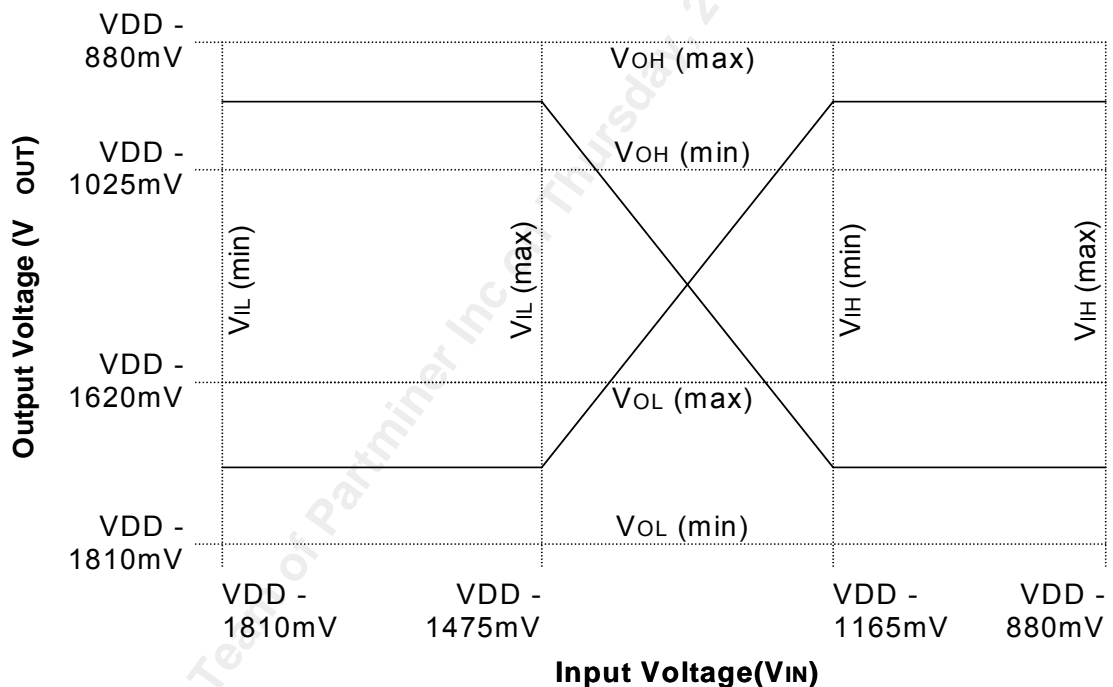
Please refer to the SPECTRA 1x2488 Hardware design guide (PMC-2020859) for further recommendations.

14.20 Interfacing to ECL or PECL Devices

14.20.1 Output Levels

The SPECTRA 1x2488 is targeting for PECL compatible input and output swing characteristics. The SPECTRA 1x2488 generates outputs which are approximately 2/3 100k ECL/PECL swing levels, but are compatible with the requirements of most Optical Modules as shown in Table 20. Figure 29 shows DC ECL/PECL output levels and their limits. We see that output levels are referenced to a positive power supply, VDD (VDD=0V for ECL and is typically 2.5V or 3.3V for PECL). Therefore, regardless of the value of VDD, the typical value of VOH is required to be 952.5 mV below VDD and the typical value of VOL is required to be an additional 762.5 mV below that.

Figure 29 PECL Levels (100K Characteristics)



There are no hard specifications for CML, but the signal swing is typically about half that of the ECL/PECL levels ($\approx 800\text{mVppd}^2$ - the signal swing and common mode depend on the resistor size, amount of current and the positive voltage supply). The lower pulse amplitudes lead to lower crosstalk, EMI and noise transients. Thus each device that claims CML compatibility must be looked at carefully to insure interoperability with other devices.

Table 20 compares the SPECTRA 1x2488 Rx and Tx signal levels to a few ODLs (note ODL Rx's connect to SPECTRA 1x2488 Rx's and ODL Tx's connect to SPECTRA 1x2488 Tx's).

² Vppd: Peak-to-peak differential voltage (typically equals 2 x single-ended peak-to-peak).

Table 20 SPECTRA 1x2488 and ODL PECL Amplitude Specifications

Device	Min	Typ.	Max
Standard ECL/PECL levels	1190mVppd	1525mVppd	1806mVppd
SPECTRA 1x2488 Tx (channel #1) ¹	900mVppd	1000mVppd	1100mVppd
SPECTRA 1x2488 Rx (channel #1) ¹	400mVppd ²	—	2 Vppd
Hitachi Tx HTR6518 (single STS-48/STM-16)	500mVppd	—	2.4 Vppd
Hitachi Rx HTR6518 (single STS-48/STM-16)	640mVppd	800mVppd	1.0 Vppd
SPECTRA 1x2488 Tx (channel #2, 3, 4)	900mVppd	1240mVppd	1680mVppd
SPECTRA 1x2488 Rx (channel #2, 3, 4)	400mVppd ²	—	2.5 Vppd
Hitachi Tx HTR6418 (quad STS-12/STM-4)	500mVppd	—	2.4 Vppd
Hitachi Rx HTR6418 (quad STS-12/STM-4)	1100mVppd	1600mVppd	2.0 Vppd
Notes: ¹ TX2488 Analog Control Register 1020H, Bit 6 = '0' (default) for single STS-48/STM-16 mode ² The SPECTRA 1x2488 Rx does work below this value (measured to work down to 100mVppd), but the jitter goes up, which will degrade the jitter tolerance of the device. Thus going below this limit is not recommended			

As can be seen, the SPECTRA 1x2488 Tx must be correctly programmed (in general the reduced Tx output amplitude should be used) to be able to inter-operate with the ODLs. Some ODLs claim to be able to tolerate Tx PECL levels, but this will limit their Rx optical range, thus for best operation care must be taken to insure the correct levels are sent to the ODL.

14.21 Termination Scheme

The SPECTRA 1x2488 is to be AC coupled and double terminated, see Figure 30 to Figure 33 below for several connects. Note that the external termination in practice should be integrated in the ODL transceiver for single STS-48/STM-16 mode device operation and optional for quad STS-12/STM-4 mode device operation.

Figure 30 SPECTRA 1x2488 Channel #1 Tx Termination Scheme #1

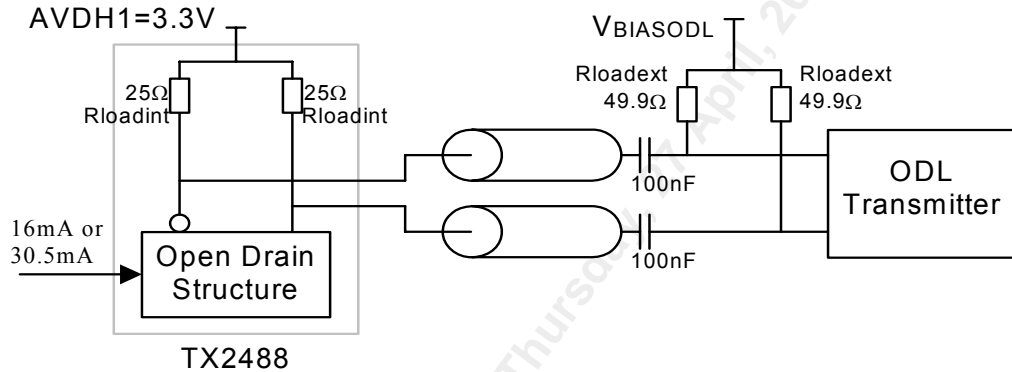


Figure 31 SPECTRA 1x2488 Channel #1 Tx Termination Scheme #2

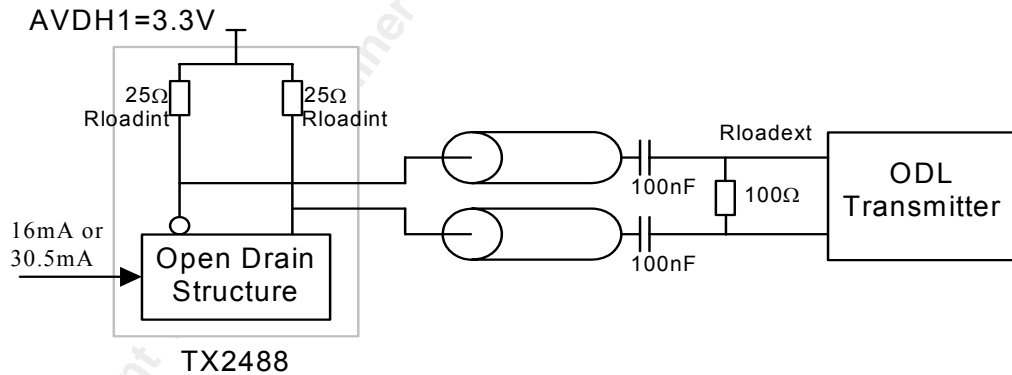


Figure 32 SPECTRA 1x2488 Channel #2, 3, 4 Tx Termination Scheme

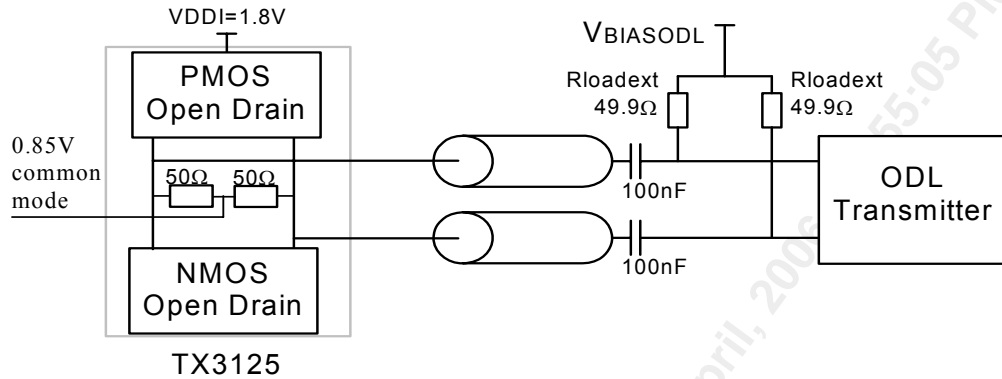
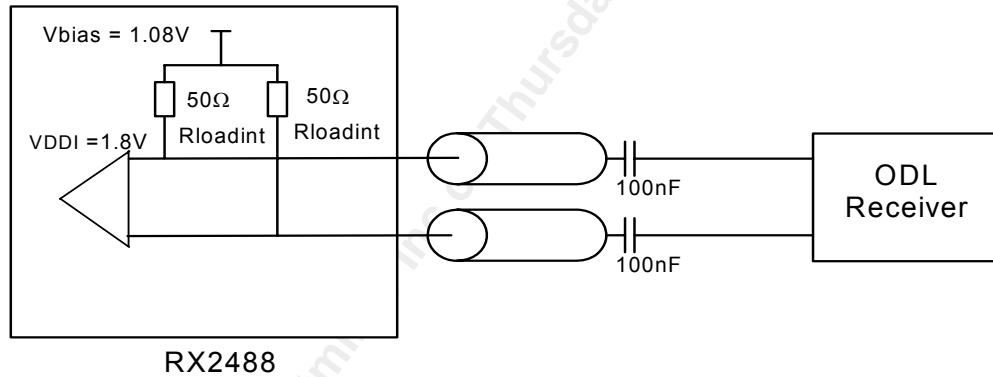


Figure 33 SPECTRA 1x2488 Rx Termination Scheme



15 Functional Timing

15.1 ADD Parallel TelecomBus

Figure 34 shows the timing of the ADD TelecomBus interface. Timing is provided by ACK. SONET/SDH data is carried in the AD[X][7:0], where 'X' denotes one of the four sections of the Incoming TelecomBus. The bytes are arranged in order of transmission in an STS-12/STM-4 stream. Each transport/section overhead byte is labeled by S_{x,y} and type. Payload bytes are labeled by S_{x,y} and B_n, where 'n' is the active offset of the byte.

A timeslot naming strategy and assignment on an AD[X][7:0] bus is shown in Figure 34. Within S_{x,y}, the STS-3/STM-1 number is given by 'x' and the column number within the STS-3/STM-1 is given by 'y'. The APL[X] signal is set high to mark payload bytes and is set low at all other bytes. The composite transport frame and payload frame signal AJ0J1_FP[X] is set high with APL[X] set low to mark the J0 byte of a transport frame. AJ0J1_FP[X] is set high with APL[X] also set high to mark the J1 byte of all the streams within AD[X][7:0].

High order streams in AIS alarm are indicated by the APAIS[X] signal. Assertion of the AIS alarm will cause the cell/packet delineation blocks to lose alignment. The ACMP signal selects the active connection memory page in the Time-slot Interchange block. It is only valid at the J0 byte position and is ignored at all other positions within the transport frame. The J0 byte position on all four buses must be aligned.

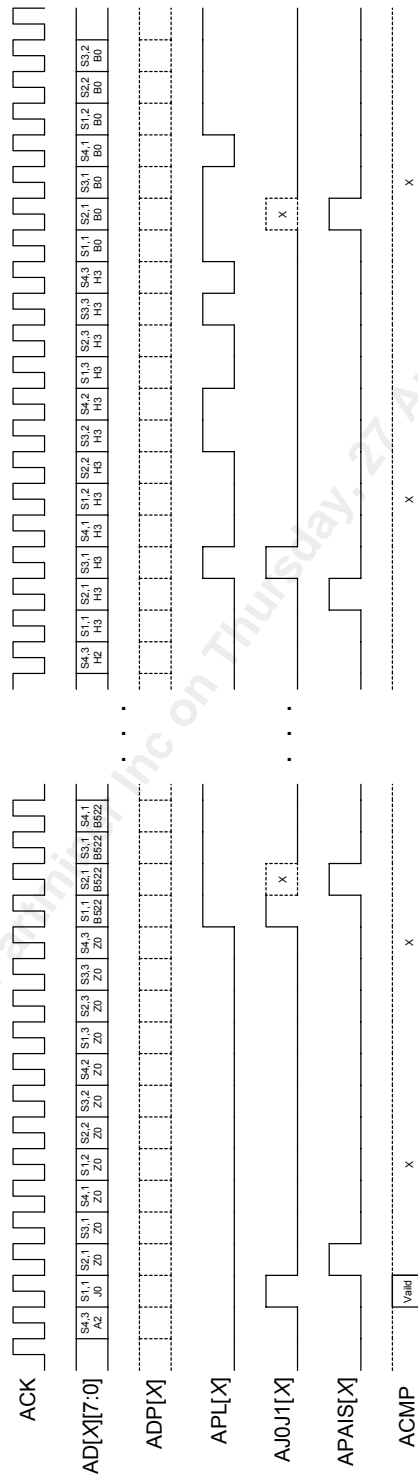
In Figure 34, timeslots numbers S1,x, S2,y, and S4,z are configured as STS-1/STM-0 operation. Timeslot number S3,n is configured for STS-3c/STM-1 operation. Stream S1,1 (STM-1 #1, AU3 #1) is shown to have an active offset of 522 by the high level on APL[X] and AJ0J1_FP[X] at byte S1,1/B522. Stream S2,1 (STM-1 #2, AU3 #1) is shown to be in high-order path AIS (APAIS[X] set high at bytes S2,1/Z0, S2,1/B522, S2,1/H3 and S2,1/B0). STM-1 #3 is a configured in AU4 mode and is shown to undergo a negative pointer justification event, changing its active offset from 0 to 782. This is shown by AJ0J1_FP[X] being set high at byte S3,1/H3 and APL[X] being set high at bytes S3,1/H3, S3,2/H3 and S3,3/H3.

For the case where an STS-48c/STM-16c is carried on the four buses AD[X][7:0], the J0 indication is expected on all four buses (AJ0J1_FP[X] = 1 and APL[X] = 0) at the same time. The J1 indication is expected only on the first bus (AJ0J1_FP[1] = 1 and APL[1] = 1, AJ0J1_FP[4:2] = 0 and APL[1] = 1).

ACMP is sampled at the clock cycle where the J0 indication is given (AJ0J1_FP[X] is logic 1 and APL[X] is logic 0). ACMP is used to select the incoming memory page in the STSI when the parallel TelecomBus is in use.

The arrangement shown in Figure 34 is for illustrative purposes only; other configurations, alarm conditions, active offsets and justification events, etc. are possible.

Figure 34 ADD Parallel TelecomBus Timing



15.2 DROP Parallel TelecomBus

Figure 35 shows the timing of the DROP TelecomBus interface. Timing is provided by DCK. SONET/SDH data is carried in the DD[X][7:0], where 'X' denotes one of the four sections of the DROP TelecomBus. The bytes are arranged in order of transmission in an STS-12/STM-4 stream. The STSI block can be used to rearrange timeslots between the system side and the line side of the SPECTRA 1x2488.

The timeslot naming strategy and assignment is shown in Figure 35. Each transport/section overhead byte is labeled by S_{x,y} and type. Payload bytes are labeled by S_{x,y} and B_n, where 'n' is the active offset of the byte. Within S_{x,y}, the STS-3/STM-1 number is given by 'x' and the column number within the STS-3/STM-1 is given by 'y'. The DPL[X] signal is set high to mark payload bytes and is set low at all other bytes. All four DJ0J1[4:1] signals are set high with all four DPL[4:1] signals set low to mark the J0 byte of a transport frame. DJ0J1[X] is set high with DPL[X] also set high to mark the J1 byte of all the streams within DD[X][7:0]. High order streams in alarm are indicated by the DALARM[X] signal.

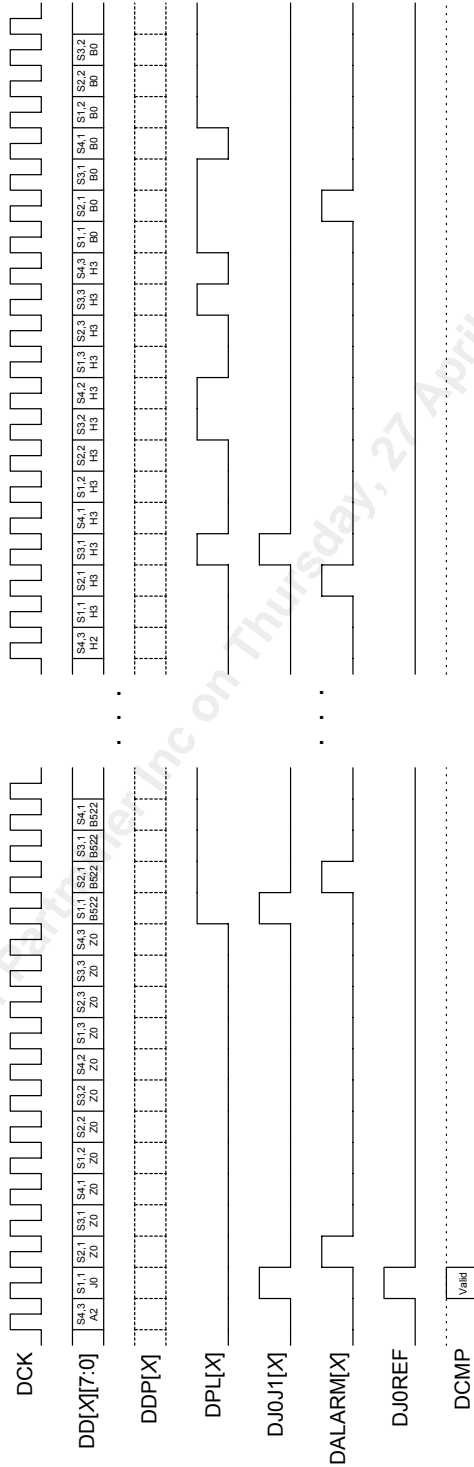
In Figure 35, timeslots S1,x, S2,y, and S4,z are configured for STS-1/STM-0 operation. Timeslot S3,n is configured for STS-3c/STM-1 operation. Stream S1,1 (STM-1 #1, AU3 #1) is shown to have an active offset of 522 by the high level on DPL[X] and DJ0J1[X] at byte S1,1/B522. Stream S2,1 (STM-1 #2, AU3 #1) is shown to be in high-order path alarm (DALARM[X] set high at bytes S2,1/Z0, S2,1/B522, S2,1/H3 and S2,1/B0). STM-1 #3 is a configured in AU4 mode and is shown to undergo a negative pointer justification event, changing its active offset from 0 to 782. This is shown by DJ0J1[X] being set high at byte S3,1/H3 and DPL[X] being set high at bytes S3,1/H3, S3,2/H3 and S3,3/H3. Stream S4,1 is shown to undergo a positive pointer justification event as indicated by the low level on DPL[X] at byte S4,1/B0.

For the case where an STS-48c/STM-16c is carried on the four buses DD[4:1][7:0], the J0 indication is given on all four buses (DJ0J1[X] = 1 and DPL[X] = 0) at the same time. The J1 indication is given only on the first bus (DJ0J1[1] = 1 and DPL[1] = 1, DJ0J1[4:2] = 0 and DPL[1] = 1).

DCMP is sampled at the clock cycle where the J0 indication is given (DJ0J1[X] is logic 1 and DPL[X] is logic 0). DCMP is used to select the incoming memory page in the STSI when the parallel TelecomBus is in use.

The arrangement shown in Figure 35 is for illustrative purposes only; other configurations, alarm conditions, active offsets and justification events, etc. are possible.

Figure 35 DROP Parallel TelecomBus



15.3 Receive Transport Overhead

Figure 36 RTOH Output Timing

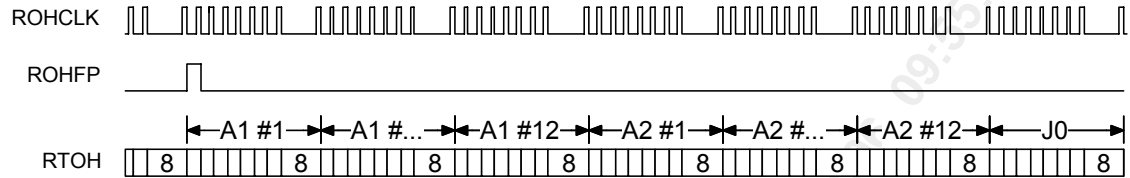


Figure 37 RTOH and ROHFP Output Timing

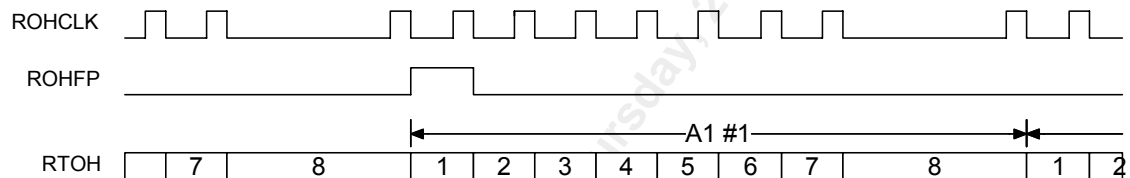


Figure 36 shows the receive transport overhead (RTOH) functional timings. ROHCLK is a 20.736 MHz clock generated by gapping a 25.92 MHz clock (33% high duty cycle). 2592 bits (9x3x12 bytes) are output on RTOH between two ROHFP assertions.

Figure 37 shows that RTOH and ROHFP are aligned with the falling edge of ROHCLK. The rising edge of ROHCLK should be used to sample RTOH and ROHFP. Sampling ROHFP high identifies the MSB of the first A1 byte on RTOH.

15.4 Receive Section and Line DCC

Figure 38 RLD and RSLD Output Timing

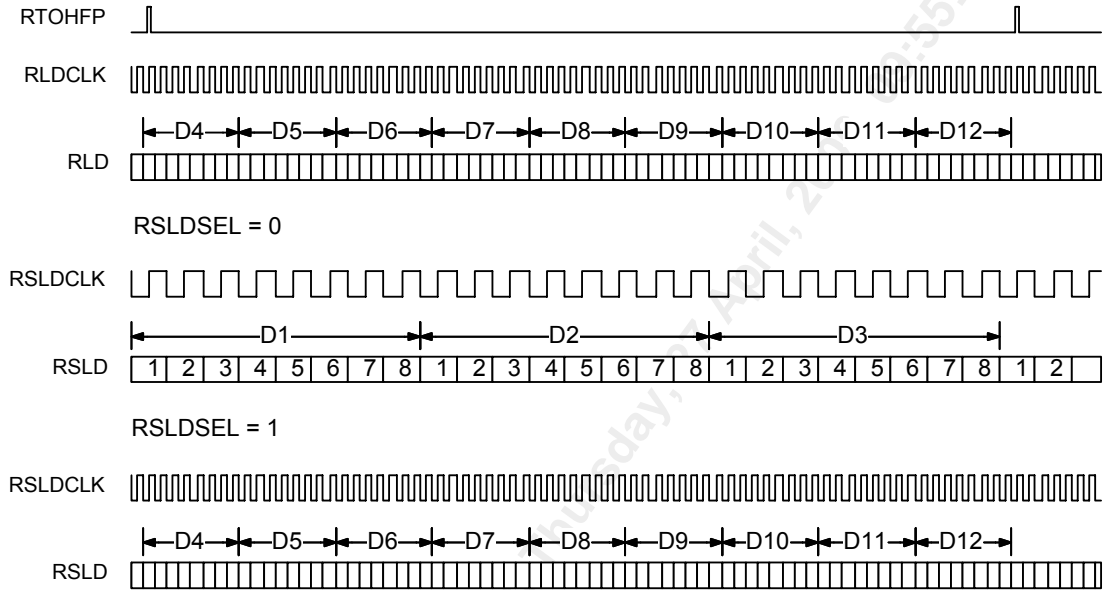
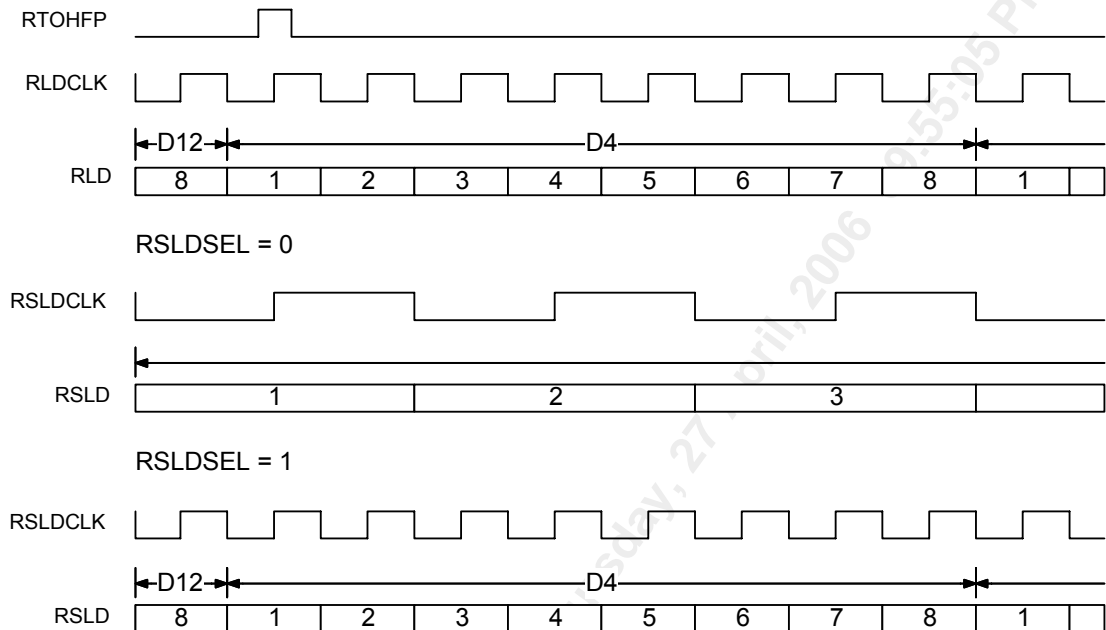


Figure 38 and Figure 39 show the receive line DCC (RLD) and the receive section/line DCC (RSLD) functional output timings. RLD and RLDCLK are carrying the line DCC bytes (D4-D12). When RSLDSEL is set to zero, RSLD and RSLDCLK are carrying the section DCC bytes (D1-D3). When RSLDSEL is set to one, RSLD and RSLDCLK are carrying the line DCC bytes (D4-D12).

Figure 39 RLD, RSLD and ROHFP Output Timing



RLDCLK is a 576 KHz clock and RLD is aligned with the falling edge of RLDCLK. The rising edge of RLDCLK should be used to sample RLD and ROHFP. Sampling ROHFP high identifies the MSB of the D4 byte on the RLD output.

RSLDCLK is a 192 KHz clock when carrying the section DCC and a 576 KHz clock when carrying the line DCC. RSLD is aligned with the falling edge of RSLDCLK. The rising edge of RSLDCLK should be used to sample RSLD and ROHFP. Sampling ROHFP high identifies the MSB of the D1 or D4 byte on the RSLD output.

15.5 Receive Path Overhead Port

Figure 40 shows the receive path overhead (RPOH) functional timings. The RPOH port (RPOH, RPOHEN and B3E) is used to output the POH bytes of the STS (VC) payloads and the path BIP-8 errors. The POH bytes are output on RPOH MSB first in the same order that they are received. Since ROHFP is synchronized on the transport frame, zero, one or two path overhead can be output per path per frame. RPOHEN is used to indicate new POH bytes on RPOH. RPOHEN is either asserted or de asserted for the nine POH bytes. The path BIP-8 errors are output on B3E at the same time the path trace byte is output on RPOH. Optionally, block BIP-8 errors can be output on B3E.

Note: RPOHEN will be asserted to validate zero, one or two opportunities per path per frame out of three opportunities. RPOHEN opportunities will alternate from path to path and from frame to frame based on pointer movement.

Figure 40 shows that RPOH and RPOHEN are aligned with the falling edge of ROHCLK. The rising edge of ROHCLK should be used to sample RPOH and RPOHEN. Sampling ROHFP high identifies the MSB of the path trace byte of STS-1/STM-0 #1 on RPOH and the first possible path BIP-8 error of STS-1/STM-0 #1 on B3E.

Figure 40 RPOH Output Timing

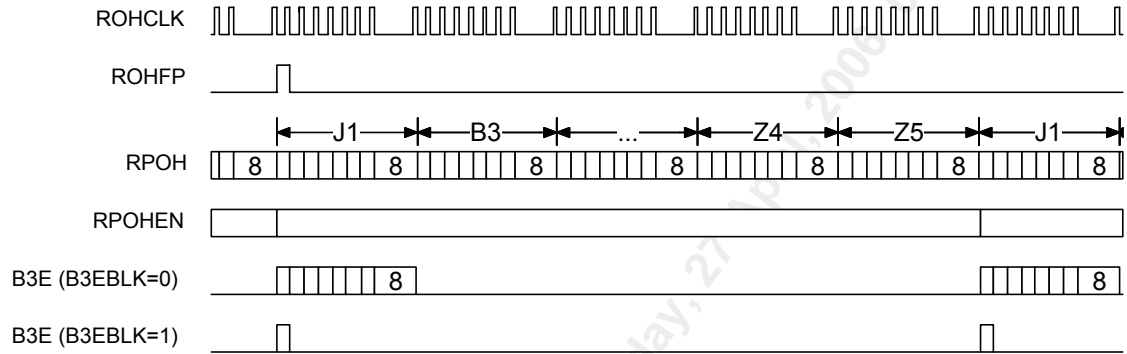
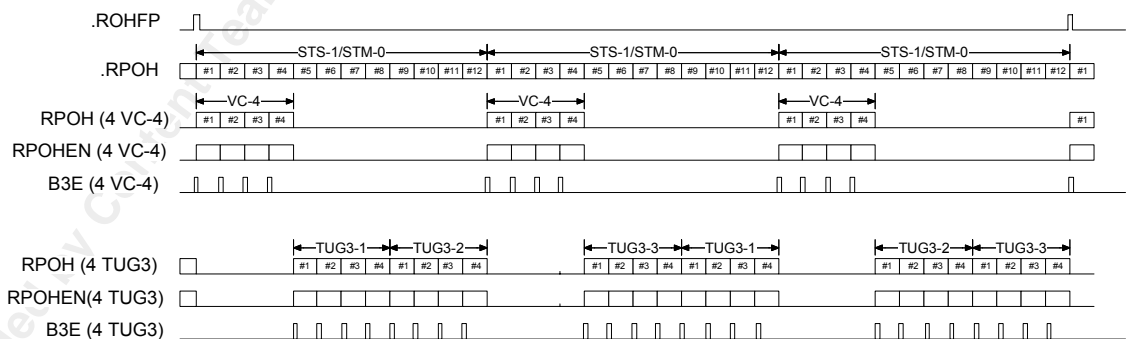


Figure 41 shows the STS-1/STM-0 time slots assignment on RPOH. Since ROHFP is synchronized on the transport frame, zero, one or two path overhead can be output per path per frame. To avoid losing any POH bytes, three time slots are assigned per path per frame. In STS (AU) mode, the time slots are repeatedly assigned from STS-1/STM-0 #1 to #12. Figure 41 shows the case of a STM-4 data stream carrying four VC-4 payloads. Only the master VC-4 STS-1/STM-0 time slots contain valid POH bytes. Figure 41 shows the case of four VC-4 payloads carrying four TUG3 payloads. Both the master and the slave VC-4 STS-1/STM-0 time slots contain valid POH bytes.

Figure 41 RPOH STS-1/STM-0 Time Slots Output Timing



15.6 Transmit Transport Overhead

Figure 42 TTOH and TTOHEN Input Timing

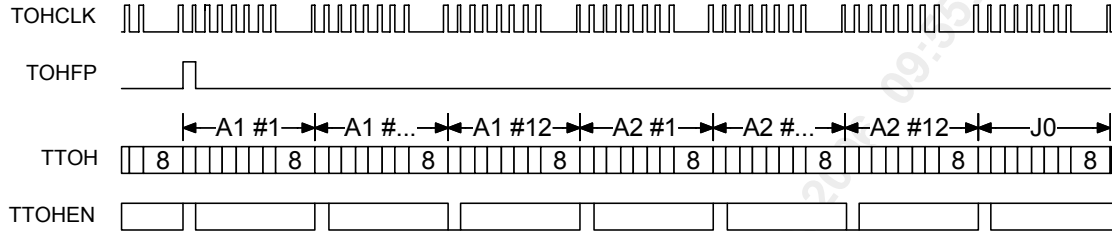


Figure 43 TTOH and TOHFP Input Timing

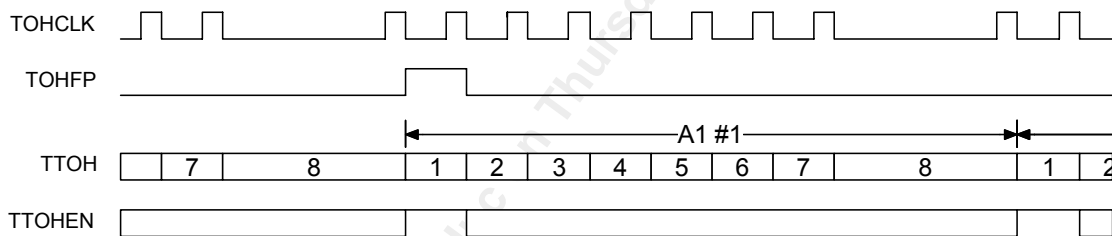


Figure 42 shows the transmit transport overhead (TTOH) functional timings. TOHCLK is a 20.736 MHz clock generated by gapping a 25.92 MHz clock (33% high duty cycle). 2592 bits (9x3x12 bytes) are input on TOH between two TOHFP assertions.

TTOHEN is used to validate the insertion of the corresponding byte on TTOH. When TTOHEN is sampled high on the MSB of the byte, the byte will be inserted in the transport overhead. When TTOHEN is sampled low on the MSB of the byte, the byte is not inserted. TTOH and TTOHEN are sampled with the rising edge of TOHCLK. TOHFP is aligned with the falling edge of TOHCLK. The rising edge of TOHCLK should be used to sample TOHFP. Sampling TOHFP high identifies the MSB of the first A1 byte on TTOH.

15.7 Transmit Section and Line DCC

Figure 44 TLD and TSLD Input Timing

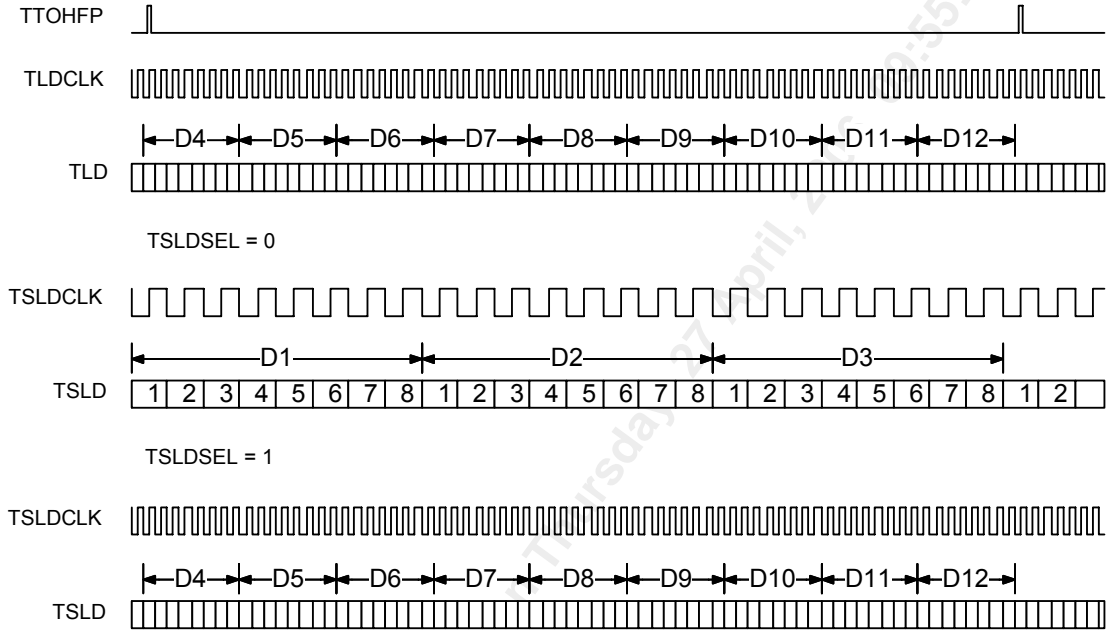
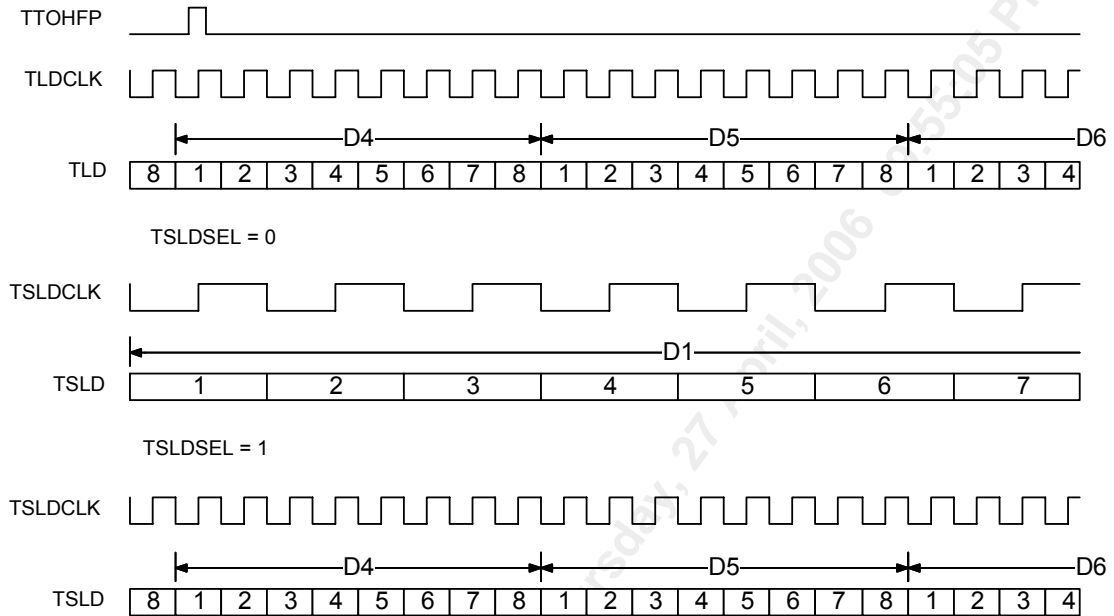


Figure 44 and Figure 45 show the transmit line DCC (TLD) and the transmit section/line DCC (TSLD) functional input timings. TLD and TLDCLK are carrying the line DCC bytes (D4-D12). When TSLDSEL is set to zero, TSLD and TSLDCLK are carrying the section DCC bytes (D1-D3). When TSLDSEL is set to one, TSLD and TSLDCLK are carrying the line DCC bytes (D4-D12).

Figure 45 TLD, TSLD and TOHFP Input Timing



TLDCLK is a 576 KHz clock. TSLDCLK is a 192 KHz clock when carrying the section DCC and a 576 KHz clock when carrying the line DCC. TLD and TSLD are sampled with the rising edge of TLDCLK and TSLDCLK. TLDCLK and TSLDCLK are generated such that the rising edge of TLDCLK and TSLDCLK can be used by external logic to sample TOHFP with proper setup and hold time. Sampling TOHFP high identifies the MSB of the D4 byte on TLD and the MSB of the D1 or D4 byte on TSLD.

15.8 Transmit Path Overhead

Figure 46 shows the transmit path overhead (TPOH) functional timings. The TPOH port (TPOH, TPOHEN and TPOHRDY) is used to input the POH bytes of the STS (VC) payloads. The POH bytes are input on TPOH MSB first in the same order that they are transmit. Since TOHFP is synchronized on the transport frame, zero, one or two path overhead can be input per path per frame.

TPOHRDY is asserted to indicate that the SPECTRA is ready to receive POH bytes. TPOHEN is used to validate the insertion of the corresponding byte on TPOH. If TPOHRDY is logic 1 and TPOHEN is sampled high on the MSB of the byte, the byte will be inserted in the path overhead. When TPOHEN is sampled low on the MSB of the byte, the byte is not inserted in the output stream. If TPOHRDY is logic 0 and TPOHEN is sample high on the MSB of the byte, the byte will not be inserted in the path overhead and must be represented at the next opportunity.

TPOH and TPOHEN are sampled with the rising edge of TOHCLK. TPOHRDY is aligned with the falling edge of TOHCLK. The rising edge of TOHCLK should be used to sample TPOHRDY. Sampling TOHFP high identifies the MSB of the path trace byte of STS-1/STM-0 #1 on TPOH.

Figure 46 RPOH Input Timing

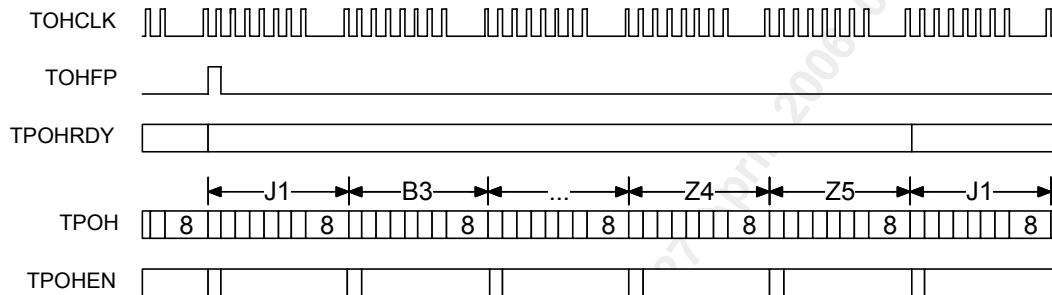
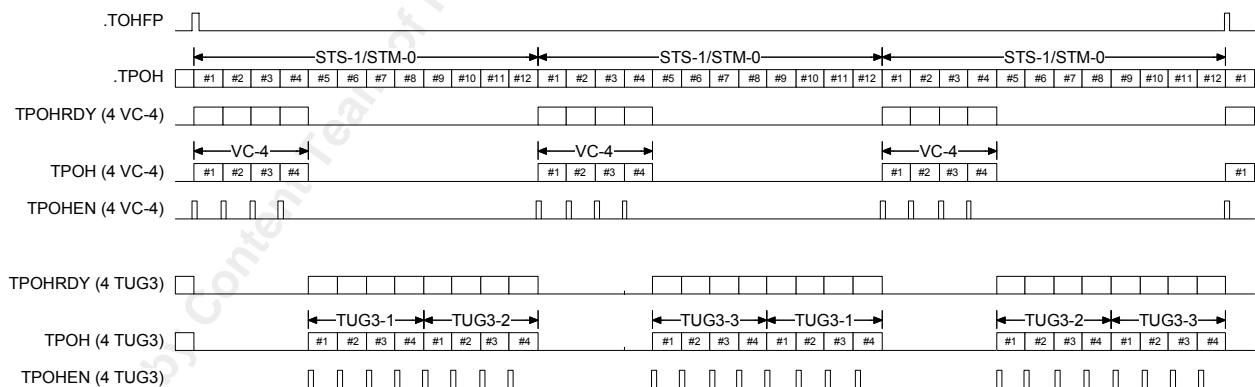


Figure 47 shows the STS-1/STM-0 time slots assignment on TPOH. Since TOHFP is synchronized on the transport frame, zero, one or two path overhead can be input per path per frame. To avoid losing any POH bytes, three time slots are assigned per path per frame. In STS (AU) mode, the time slots are repeatedly assigned from STS-1/STM-0 #1 to #12. Figure 47 shows the case of a STM-4 data stream carrying four VC-4 payloads. Only the master VC-4 STS-1/STM-0 time slots contain valid POH bytes. Figure 47 shows the case of four VC-4 payloads carrying four TUG3 payloads. Both the master and the slave VC-4 STS-1/STM-0 time slots contain valid POH bytes.

Figure 47 TPOH STS-1/STM-0 Time Slots Input Timing



15.9 Receive Ring Control Port

Figure 48 shows the receive ring control port (RRCPP) functional timings. RRCPPDAT serially outputs all the section, line and path defects detected in the receive data stream. Since ROHFP is synchronized on the transport frame two path overheads are output per path per frame.

RRCPDAT is aligned with the falling edge of ROHCLK. The rising edge of ROHCLK should be used to sample RRCPDAT. Sampling ROHFP high with ROHCLK identifies the OOF defect on RRCP. Table 21 defines RRCP in function of the bit position.

Figure 48 RRCP Output Timing

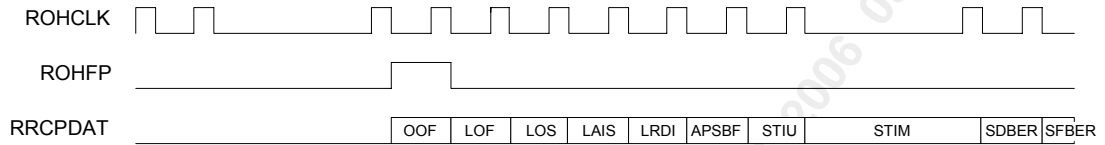


Table 21 Ring Control Port Bit Definition

Bit Position	Type	Defect
1	Section	OOF
2	Section	LOF
3	Section	LOS
4	Section	LAIS
5	Section	LRDI
6	Section	APSBF
7	Section	STIU
8	Section	STIM
9	Section	SDBER
10	Section	SFBER
11-12	Section	GROWTH[1:0]
13-16	Section	0
17-32	Section	APS[15:0]
33-40	Section	LBIPCNT[7:0]
41	Section	LRDIINS
42-64	Section	0
65	Path	PLOP
66	Path	PAIS
67	Path	PPLU
68	Path	PPLM
69	Path	PUNEQ
70	Path	PPDI
71	Path	PRDI
72	Path	PERDI
73-75	Path	PERDIV[2:0]
76	Path	PTIU
77	Path	PTIM
78-79	Path	PGROWTH[1-0]

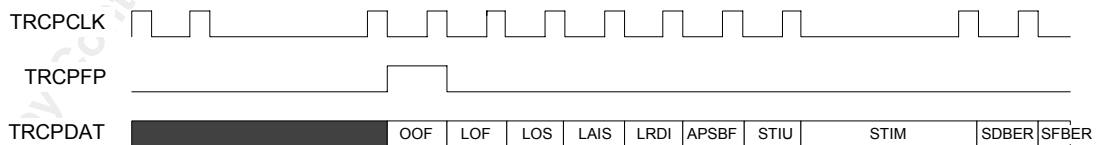
Bit Position	Type	Defect
80	Path	0
81-84	Path	PBIPCNT[3:0]
85-87	Path	PERDIINS[2:0]
88-96	Path	0
97-128	Path	STS-1/STM-0 #2
...
417-448	Path	STS-1/STM-0 #12
449-480	TU3 Path	TU3 STS-1/STM-0 #1
...
801-832	TU3 Path	TU3 STS-1/STM-0 #12
833-864	Path	STS-1/STM-0 #1
...
1185-1216	Path	STS-1/STM-0 #12
1217-1248	TU3 Path	TU3 STS-1/STM-0 #1
...
1569-1600	TU3 Path	TU3 STS-1/STM-0 #12
1601-2592	None	0

15.10 Transmit Ring Control Port

Figure 49 shows the transmit ring control port (TRCP) functional timings. TRCPDAT serially inputs all the section, line and path defects detected in the receive data stream. The TRCP port is usually connected to the RRCPP port of a mate SPECTRA. TRCP is not restricted to a RRCPP port as long as the format and the timings between TRCPCLK, TRCPFP and TRCPDAT are met.

Sampling TRCPFP high with TRCPCLK identifies the OOF defect on TRCPDAT. TRCPFP must be asserted to initiate TRCPDAT capture. Only the first 1600 bits, after TRCPFP assertion, are considered valid and part of the ring control port. Table 21 defines TRCPDAT in function of the bit position.

Figure 49 TRCP Input Timing

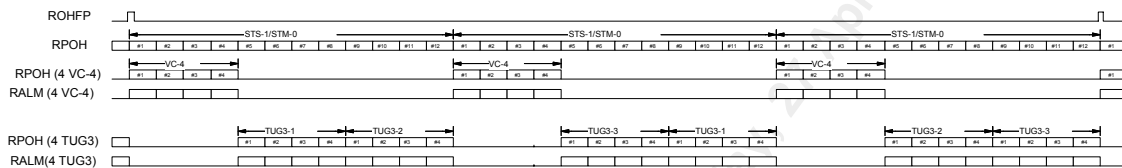


15.11 Receive Path Alarm

Figure 50 shows the receive path alarm (RALM) functional timings. RALM is used to output the “ORing” of the enabled path defects Figure 50 shows the STS-1/STM-0 time slots assignment on RALM that is identical to RPOH. Each STS-1/STM-0 time slot is either high or low for 72 ROHCLK clock cycles (9 POH bytes x 8 bits).

RALM is aligned with the falling edge of ROHCLK. The rising edge of ROHCLK should be used to sample RALM. Sampling ROHFP high identifies STS-1/STM-0 #1 on RALM.

Figure 50 RALM Output Timing



16 Absolute Maximum Ratings

Maximum ratings are the worst case limits that the device can withstand without sustaining permanent damage. They are not indicative of normal mode operation conditions.

Table 22 Absolute Maximum Ratings

Storage Temperature	-40°C to +125°C
1.8 V Supply Voltage (VDDI)	-0.5 V to +2.5 V
3.3 V Supply Voltage (VDDO)	-0.5 V to +4.6 V
Input Pad Tolerance	-2 V < V _{pin} < VDDO+2 V for 10 ns, 100 mA max
Output Pad Overshoot Limits	-2 V < V _{pin} < VDDO+2 V for 10 ns, 100 mA max
Voltage on Any Digital Pin	-0.3 V to V _{VDDO} +0.3 V
Static Discharge Voltage	±1000 V
Latch-Up Current	±100 mA
DC Input Current	±20 mA
Lead Temperature	+225°C
Absolute Maximum Junction Temperature	+125°C

17 Normal Operating Conditions

Table 23 Normal Operating Voltages for 0.18um CMOS

	Operating Range ¹			Reference (approx.)
	Minimum (V)	Typical (V)	Maximum (V)	
Supply Voltages				
1.8V Core Supply Voltage (VDDI)	1.71	1.80	1.89	+/- 5%
1.8V Analog Supply Voltage (AVDL)	1.71	1.80	1.89	+/- 5%
3.3V Analog Supply Voltage (AVDH)	3.13	3.3	3.47	+/- 5%
3.3V I/O Supply Voltage (VDDO)	3.13	3.3	3.47	+/- 5%

Notes

1. Power supply, D.C. characteristics, and A.C. timing are characterized across these operating ranges, unless otherwise stated.
2. Where typical measurements are given, these parameter values will be used, unless otherwise stated.

18 Power Information

18.1 Power Requirements

Table 24 Power Requirements

Conditions	Parameter	Typ ^{1,3}	High ⁴	Max ²	Units
Single STS-48/STM-16 Mode (1x2488MHz) All serial links, parallel buses, PRBS generators and PRBS monitors running.	IDDOP (VDDI)	1.690	—	1.952	A
	IDDOP (VDDO)	0.146	—	0.221	A
	IDDOP (AVDL)	0.267	—	0.459	A
	IDDOP (AVDH +QAVD)	0.096	—	0.129	A
	Total Power	4.32	5.06	—	W
Quad STS-12/STM-4 Mode (4x622MHz) All serial links, parallel buses, PRBS generators and PRBS monitors running.	IDDOP (VDDI)	1.830	—	2.116	A
	IDDOP (VDDO)	0.146	—	0.221	A
	IDDOP (AVDL)	0.282	—	0.413	A
	IDDOP (AVDH +QAVD)	0.076	—	0.097	A
	Total Power	4.53	5.35	—	W

Notes

- Typical IDD values are calculated as the mean value of current under the following conditions: typically processed silicon, nominal supply voltage, T_J=60 °C, outputs loaded with 30 pF and a normal amount of traffic or signal activity. These values are suitable for evaluating typical device performance in a system
- Max IDD values are currents guaranteed by the production test program and/or characterization over process for operating currents at the maximum operating voltage and operating temperature that yields the highest current (including outputs loaded to 30 pF, unless otherwise specified)
- Typical power values are calculated using the formula:

$$\text{Power} = \sum_i(\text{VDDNomi} \times \text{IDDTypi})$$

Where i denotes all the various power supplies on the device, VDDNomi is the nominal voltage for supply i, and IDDTypi is the typical current for supply i (as defined in note 1 above). These values are suitable for evaluating typical device performance in a system

- High power values are a “normal high power” estimate and are calculated using the formula:

$$\text{Power} = \sum_i(\text{VDDMaxi} \times \text{IDDHighi})$$

Where i denotes all the various power supplies on the device, VDDMaxi is the maximum operating voltage for supply i, and IDDHighi is the current for supply i. IDDHigh values are calculated as the mean value plus two sigmas (2σ) of measured current under the following conditions: T_J=105° C, outputs loaded with 30 pF. These values are suitable for evaluating board and device thermal characteristics

18.2 Power Sequencing

Due to the ESD protection structures in the pads, you must exercise caution when powering a device up or down. ESD protection devices behave as diodes between the power supply pins and from the I/O pins to the power supply pins. Under extreme conditions incorrect power sequencing may damage these ESD protection devices or trigger latch up.

The recommended power supply sequencing is as follows:

1. Supply VDDO power either before VDDI or simultaneously with VDDI.
2. Apply AVDH and QAVD either before or after VDDO, but apply either before or simultaneously with VDDI. In operation, the differential voltage measured between AVDH supplies and VDDO must be less than 0.5 volt. The relative power sequencing of the multiple AVDH power supplies is not important.
3. Apply AVDL after AVDH and VDDO, and either before or after VDDI. Or, AVDL can be applied simultaneously with VDDO, AVDH, and VDDI.
4. Drive I/Os after all the supplies have been powered.
5. Power down the device in the reverse sequence.

18.3 Power Supply Filtering

1. Use a single plane for both digital and analog grounds.
2. Provide separate analog transmit, analog receive, and digital supplies, but otherwise connect the supply voltages together at one point close to the connector where the voltage is brought to the card.
3. Ferrite beads are not advisable in digital switching circuits because inductive spiking (di/dt noise) is introduced into the power rail. Simple RC filtering is probably the best approach provided care is taken to ensure the IR drop in the resistance does not lower the supply voltage below the recommended operating voltage.
4. The analog power pin names in the pin description table groups each of the AVDL, AVDH and QAVD pins.
5. The following analog power-supply filtering is recommended:

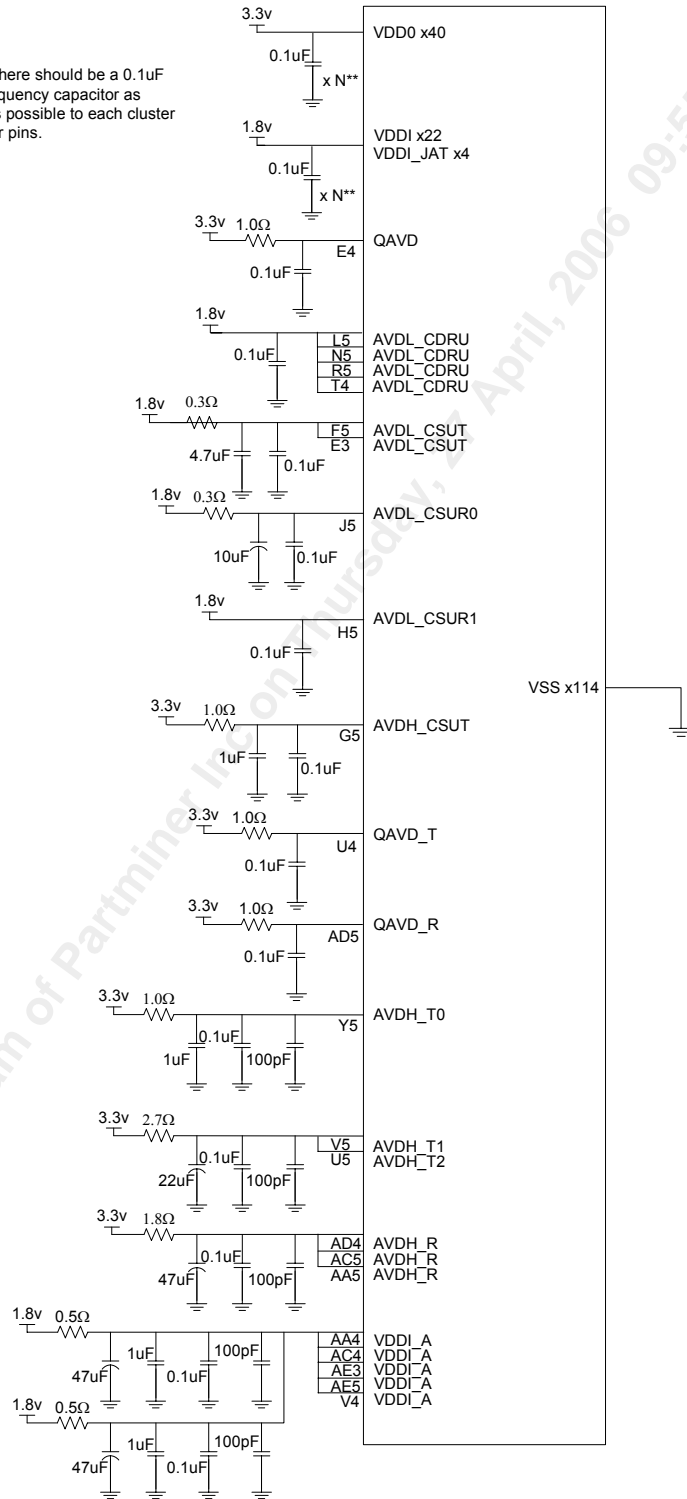
Table 25 Analog Power Supply Filtering

Pin Name	Label in Figure	Pin No.	Function
AVDH	AVDH_T[0]	Y5	The analog power (AVDH_T) pins for the 2488 transmitter analog. The AVDH_T pins should be connected through passive filtering networks to a well-decoupled +3.3 V analog power supply.
AVDH	AVDH_T[2:1]	U5 V5	The analog power (AVDH_T) pins for the 2488 transmitter analog. The AVDH_T pins should be connected through passive filtering networks to a well-decoupled +3.3 V analog power supply.
AVDH	AVDH_R[2:0]	AA5 AC5 AD4	The analog power (AVDH_R) pins for the 2488 receiver analog. The AVDH_R pins should be connected through passive filtering networks to a well-decoupled +3.3 V analog power supply.

Pin Name	Label in Figure	Pin No.	Function
AVDH	AVDH_CSUT	G5	The analog power (AVDH_CSUT) pins for the 2488 transmit CSU analog. The AVDH_CSUT pins should be connected through passive filtering networks to a well-decoupled +3.3 V analog power supply.
AVDL	AVDL_CDRU[3:0]	T4 R5 N5 L5	The analog power (AVDL_CDRU) pins for the 4x622 CDRU analog. The AVDL_CDRU pins should be connected to a well-decoupled +1.8 V analog power supply.
AVDL	AVDL_CSUT[1:0]	E3 F5	The analog power (AVDL_CSUT) pins for the 4x622 transmit CSU analog. The AVDL_CSUT pins should be connected through passive filtering networks to a well-decoupled +1.8 V analog power supply.
AVDL	AVDL_CSUR0	J5	The analog power (AVDL_CSUR) pins for the 4x622 receive CSU analog. The AVDL_CSUR pins should be connected through passive filtering networks to a well-decoupled +1.8 V analog power supply.
AVDL	AVDL_CSUR1	H5	The analog power (AVDL_CSUR) pins for the receive CSU analog. The AVDL_CSUR pins should be connected to a well-decoupled +1.8 V analog power supply.
QAVD	QAVD	E4	The quiet power (QAVD) pins for the 4x622 analog core. QAVD should be connected to a well-decoupled analog +3.3 V supply. These power pins should be decoupled separately from the analog power pins (AVDH).
QAVD_T	QAVD_T	U4	The quiet power (QAVD_T) pins for the 2488 transmit analog core. QAVD_T should be connected to a well-decoupled analog +3.3 V supply. These power pins should be decoupled separately from the analog power pins (AVDH).
QAVD_R	QAVD_R	AD5	The quiet power (QAVD) pins for the 2488 receive analog core. QAVD_R should be connected to a well-decoupled analog +3.3 V supply. These power pins should be decoupled separately from the analog power pins (AVDH).

Figure 51 Analog Power Supply Filtering

** Ideally there should be a 0.1uF high-frequency capacitor as close as possible to each cluster of power pins.



Please refer to the SPECTRA 1x2488 Hardware Design Guide (PMC-2020859) for further recommendations.

Notes

- Analog is very tolerant of noise - no regulator required.
- Since on any board there is always a delay between different devices activating, the SPECTRA 1x2488 is able to sustain +/-100 mA drive on its input pins for up to 100 ms while powering up.

19 D.C. Characteristics

$T_A = -40^{\circ}\text{C}$ to $T_J = +125^{\circ}\text{C}$, $V_{VDDI} = V_{VDDI\text{typical}} \pm 5\%$, $V_{VDDO} = V_{VDDO\text{typical}} \pm 5\%$,

$V_{AVDH} = V_{AVDH\text{typical}} \pm 5\%$, $V_{AVDL} = V_{AVDL\text{typical}} \pm 5\%$

(Typical Conditions: $T_C = 25^{\circ}\text{C}$, $V_{VDDI} = 1.8\text{V}$, $V_{VDDO} = 3.3\text{V}$, $V_{AVDL} = 1.8\text{V}$, $V_{AVDH} = 3.3\text{V}$)

Table 26 D.C. Characteristics

Symbol	Parameter	Min	Typ	Max	Units	Conditions
CMOS/TTL						
V_{IL}	Input Low Voltage			0.8	Volts	Refer to Note 5.
V_{IH}	Input High Voltage	2.0			Volts	Refer to Note 5.
V_{OL}	Output or Bi-directional Low Voltage			0.4	Volts	Guaranteed output Low voltage at IOL = maximum rated current for pad. Refer to Note 9.
V_{OH}	Output or Bi-directional High Voltage	2.4			Volts	Guaranteed output high voltage at IOH = maximum rated current for pad. Refer to Note 9.
V_{ST-}	Schmidt Trigger Input Low Voltage			0.8	Volts	Refer to Note 1
V_{ST+}	Schmidt Trigger Input High Voltage	2.2			Volts	Refer to Note 1
V_{TH}	Schmidt Trigger Input Hysteresis Voltage		0.5		Volts	Refer to Note 1
I_{ILPU}	Input Low Leakage Current	-170	-50	-15	μA	$V_{IL} = \text{GND}$. Notes 2 and 8.
I_{IHPU}	Input High Leakage Current	-10	0	+10	μA	$V_{IH} = \text{VDD}$. Notes 2 and 8.
I_{IL}	Input Low Leakage Current	-10	0	+10	μA	$V_{IL} = \text{GND}$. Notes 4 and 8.
I_{IH}	Input High Leakage Current	-10	0	+10	μA	$V_{IH} = \text{VDD}$. Notes 4 and 8.
C_{IN}	Input Capacitance		5		pF	$t_A = 25^{\circ}\text{C}$, $f = 1\text{ MHz}$
C_{OUT}	Output Capacitance		5		pF	$t_A = 25^{\circ}\text{C}$, $f = 1\text{ MHz}$
C_{IO}	Bi-directional Capacitance		5		pF	$t_A = 25^{\circ}\text{C}$, $f = 1\text{ MHz}$
DC PECL						
V_{PECLI+}	Input DC PECL High Voltage	V_{AVDH-} 1.165	V_{AVDH-} 0.955	V_{AVDH-} 0.880	Volts	Refer to Note 6.
V_{PECLI-}	Input DC PECL Low Voltage	V_{AVDH-} 1.810	V_{AVDH-} 1.700	V_{AVDH-} 1.470	Volts	Refer to Note 6.
AC PECL						
V_{ODV1}	AC PECL Output Differential Voltage	0.90	1.00	1.10	Vppd	Apply to TXD1_P/N
V_{ODV2}	AC PECL Output	0.90	1.24	1.68	Vppd	Apply to TXD2_P/N,

Symbol	Parameter	Min	Typ	Max	Units	Conditions
	Differential Voltage					TXD3_P/N, TXD4_P/N
V _{IDV1}	AC PECL Input Differential Voltage	0.4		2.00	V _{ppd}	Apply to REFCLK_P/N, RXD1_N/P
V _{IDV2}	AC PECL Input Differential Voltage	0.4		2.50	V _{ppd}	Apply to RXD2_N/P, RXD3_N/P, RXD4_N/P
R _{PECL}	Differential PECL Termination Input and Output		100		ohms	Refer to Note 6 and 7

Notes on D.C. Characteristics

- Schmidt Trigger Input pins: RSTB, TRSTB, CSB, TCK, SD_TEST, SD[4:1], DCK, ACK and TRCPCLK[4:1].
- Input pin with internal pull-up resistor: RSTB, TRSTB, ALE, TDI, TMS
- Open Drain outputs: INTB.
- Applies to pins without internal pull-up or pull-down resistors.
- Applies to non-Schmidt trigger inputs pins.
- DC PECL: REF77_P, REF77_N.
- AC PECL: REFCLK_P, REFCLK_N, RXD1_N/P, RXD2_N/P, RXD3_N/P, RXD4_N/P, TXD1_P/N, TXD2_P/N, TXD3_P/N, TXD4_P/N.
- Negative current flows into the device, positive current flows out of the device (sourcing).
- All SPECTRA 1x2488 digital outputs have 2 mA drive capability except for CRUCLKO, CSUCLKO, DALARM1-4, DJ0J11-4, DPL1-4, DD1-4[7:0], DDP1-4, PGMTCCLK and RCLK1-4, which have 10 mA drive capability, and INTB, RPOHEN1-4, RPOH1-4, TDO, D[15:0], which have 4 mA drive capability.

20 A.C. Timing Characteristics

$T_A = -40^{\circ}\text{C}$ to $T_J = +125^{\circ}\text{C}$, $V_{\text{VDDI}} = V_{\text{VDDI}\text{typical}} \pm 5\%$, $V_{\text{VDDO}} = V_{\text{VDDO}\text{typical}} \pm 5\%$
(Typical Conditions: $T_C = 25^{\circ}\text{C}$, $V_{\text{VDDI}} = 1.8\text{V}$, $V_{\text{VDDO}} = 3.3\text{V}$)

Notes on Input Timing

1. When a set-up time is specified between an input and a clock, the set-up time is the time in nanoseconds from the 1.4 Volt point of the input to the 1.4 Volt point of the clock.
2. When a hold time is specified between an input and a clock, the hold time is the time in nanoseconds from the 1.4 Volt point of the clock to the 1.4 Volt point of the input.

Notes on Output Timing

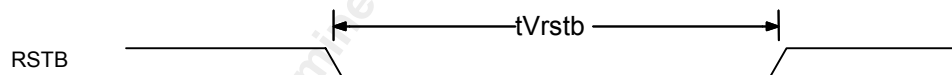
1. Output propagation delay time is the time in nanoseconds from the 1.4-Volt point of the reference signal to the 1.4-Volt point of the output.
2. Maximum output propagation delays are measured with a 30pF load on the outputs except for D[15:0] and INTB which are measured with a 100pF load on the outputs.

20.1 System Miscellaneous Timing

Table 27 System Miscellaneous Timing (Figure 52)

Symbol	Description	Min	Max	Units
tVRSTB	RSTB input pulse width	2	—	ms

Figure 52 System Miscellaneous Timing Diagram



20.2 Single OC-48 Line Interface Timing

Table 28 OC-48 Line Interface Input Timing

Symbol	Description	Min	Typ	Max	Units
f _{REFCLK_P/N}	REFCLK_P/N Frequency (nominally 155.52MHz)	155	—	156	MHz
tH _{REFCLK_P/N}	REFCLK_P/N Hi Pulse Width	2.9	—	—	ns
tL _{REFCLK_P/N}	REFCLK_P/N Low Pulse Width	2.9	—	—	ns
J _{rms} ¹	Output RMS jitter (12 kHz to 20 MHz)	—	0.007	0.01	U _{rms}
J _{pk-pk} ¹	Output Peak to Peak jitter (12 kHz to 20 MHz)	—	0.084	—	U _{pk-pk}

Notes on OC-48 Line Interface Input Timing

1. The optical jitter value was characterized with a Hitachi HTR-6518 optical transceiver on a PMC evaluation board.

20.3 Quad OC-12 Line Interface Timing

Table 29 OC-12 Line Interface 77.76 MHz Mode Input Timing

Symbol	Description	Min	Typ	Max	Units
$f_{REF77\pm}$	REF77± Frequency (nominally 77.76MHz)	77	—	78	MHz
$t_{HI_{REF77\pm}}$	REF77± Hi Pulse Width	5.8	—	—	ns
$t_{LO_{REF77\pm}}$	REF77± Low Pulse Width	5.8	—	—	ns
J_{rms}^1	Output RMS jitter (12 kHz to 5 MHz)	—	0.004	0.01	U_{rms}
J_{pk-pk}^1	Output Peak to Peak jitter (12 kHz to 5 MHz)	—	0.053	0.1	U_{pk-pk}

Notes on OC-12 Line Interface 77.76 MHz Mode Input Timing

- The optical jitter value was characterized with a Hitachi HTR-6418 optical transceiver on a PMC evaluation board.

Table 30 OC-12 Line Interface 155.52 MHz Mode Input Timing

Symbol	Description	Min	Typ	Max	Units
$f_{REF155\pm}$	REF77± Frequency (nominally 155.52MHz)	155	—	156	MHz
$t_{HI_{REF155\pm}}$	REF77± Hi Pulse Width	2.9	—	—	ns
$t_{LO_{REF155\pm}}$	REF77± Low Pulse Width	2.9	—	—	ns
J_{rms}^1	Output RMS jitter (12 kHz to 5 MHz)	—	0.004	0.01	U_{rms}
J_{pk-pk}^1	Output Peak to Peak jitter (12 kHz to 5 MHz)	—	0.048	0.1	U_{pk-pk}

Notes on OC-12 Line Interface 155.52 MHz Mode Input Timing

- The optical jitter value was characterized with a Hitachi HTR-6418 optical transceiver on a PMC evaluation board.

20.4 Receive Overhead Port Timing

Table 31 Receive Overhead Output Timing

Symbol	Description	Min	Max	Units
tPRRCPDAT	ROHCLK1-4 falling edge to RRCPPAT1-4 valid	-7	7	ns
tPSALM	ROHCLK1-4 falling edge to SALM1-4 valid	-7	7	ns
tPRALM	ROHCLK1-4 falling edge to RALM1-4 valid	-7	7	ns
tPROHFP	ROHCLK1-4 falling edge to ROHFP1-4 valid	-7	7	ns
tPRTOH	ROHCLK1-4 falling edge to RTOH1-4 valid	-7	7	ns
tPRPOH	ROHCLK1-4 falling edge to RPOH1-4 valid	-7	7	ns
tPRPOHEN	ROHCLK1-4 falling edge to RPOHEN1-4 valid	-7	7	ns
tPB3E	ROHCLK1-4 falling edge to B3E1-4 valid	-7	7	ns

Figure 53 Receive Overhead Output Timing Diagram

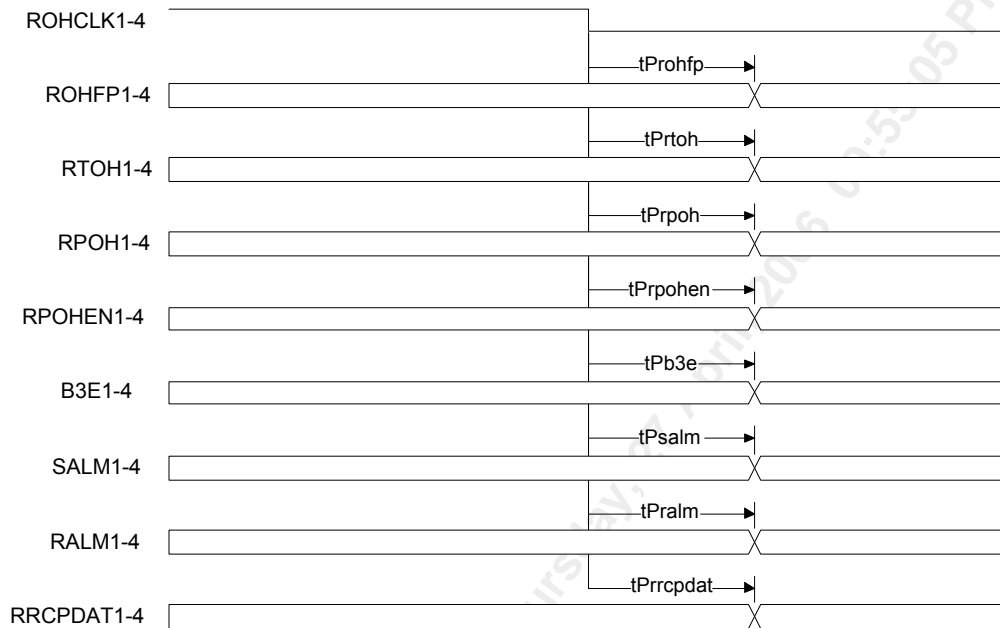


Table 32 RSLDCLK Output Timing

Symbol	Description	Min	Max	Units
t_{PRSLD}	RSLDCLK falling edge to RSLD valid	-7	7	ns

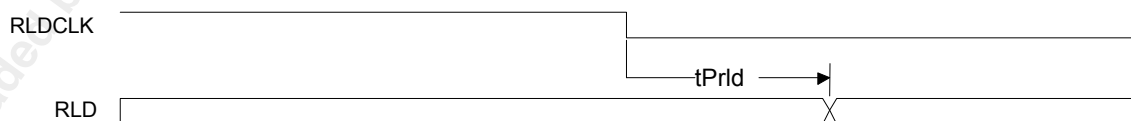
Figure 54 RSLDCLK Output Timing Diagram



Table 33 RLDCLK Output Timing

Symbol	Description	Min	Max	Units
t_{PRLD}	RLDCLK falling edge to RLD valid	-7	7	ns

Figure 55 RLDCLK Output Timing Diagram



20.5 Transmit Overhead Port Timing

Table 34 Transmit Overhead Input Timing

Symbol	Description	Min	Max	Units
t _{STTOH}	TTOH1-4 Set-up time to TOHCLK1-4 rising edge	14	—	ns
t _{H_{TTOH}}	TTOH1-4 Hold time to TOHCLK1-4 rising edge	0	—	ns
t _{STTOHEN}	TTOHEN1-4 Set-up time to TOHCLK1-4 rising edge	14	—	ns
t _{H_{TTOHEN}}	TTOHEN1-4 Hold time to TOHCLK1-4 rising edge	0	—	ns
t _{STPOH}	TPOH1-4 Set-up time to TOHCLK1-4 rising edge	14	—	ns
t _{H_{TPOH}}	TPOH1-4 Hold time to TOHCLK1-4 rising edge	0	—	ns
t _{STPOHEN}	TPOHEN1-4 Set-up time to TOHCLK1-4 rising edge	14	—	ns
t _{H_{TPOHEN}}	TPOHEN1-4 Hold time to TOHCLK1-4 rising edge	0	—	ns

Figure 56 Transmit Overhead Input Timing Diagram

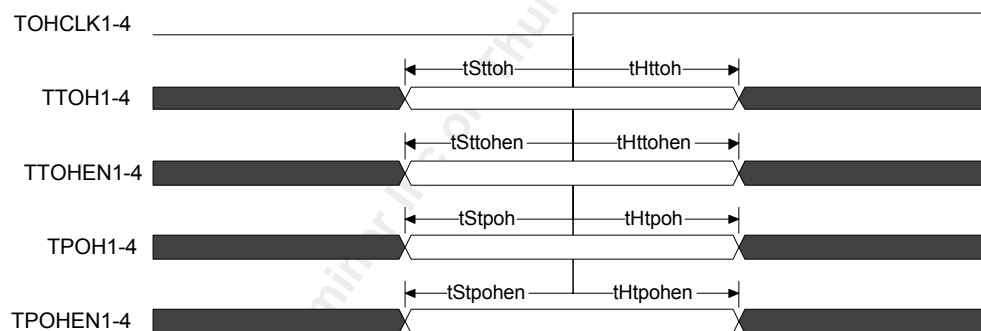


Table 35 Transmit Overhead Output Timing

Symbol	Description	Min	Max	Units
t _{P_{TOHFP}}	TOHCLK1-4 falling edge to TOHFP1-4 valid	-7	7	ns
t _{P_{TPOHRDY}}	TOHCLK1-4 falling edge to TPOHRDY1-4 valid	-7	7	ns

Figure 57 Transmit Overhead Output Timing Diagram

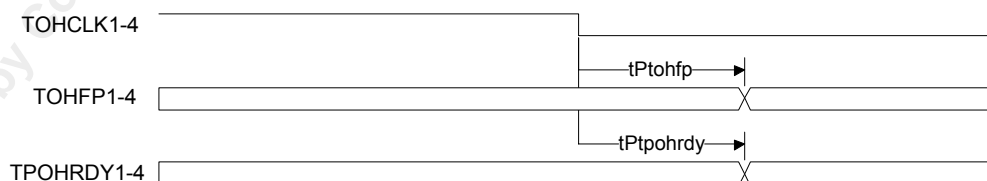


Table 36 TSLDCLK Input Timing

Symbol	Description	Min	Max	Units
$t_{S_{TSLD}}$	TSLD Set-up time to TSLDCLK rising edge	14	—	ns
$t_{H_{TSLD}}$	TSLD Hold time to TSLDCLK rising edge	0	—	ns

Figure 58 TSLDCLK Input Timing Diagram

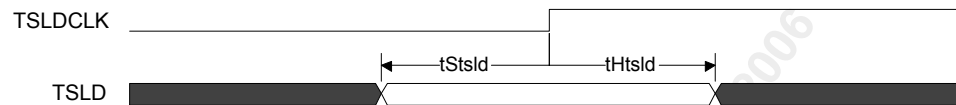
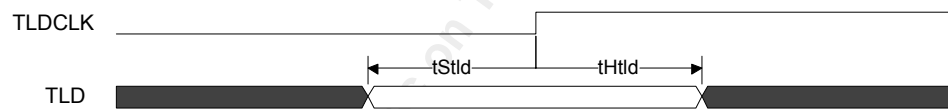


Table 37 TLDCLK Input Timing

Symbol	Description	Min	Max	Units
$t_{S_{TLD}}$	TLD Set-up time to TLDCLK rising edge	14	—	ns
$t_{H_{TLD}}$	TLD Hold time to TLDCLK rising edge	0	—	ns

Figure 59 TLDCLK Input Timing Diagram

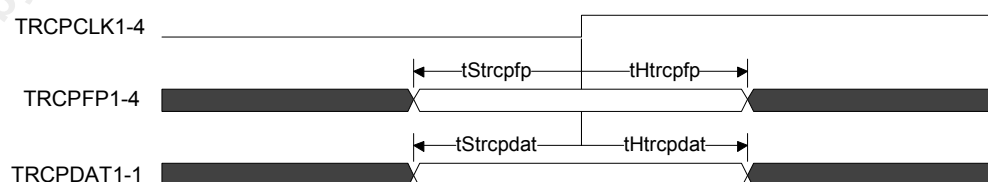


20.6 Transmit Ring Control Port Timing

Table 38 Transmit Ring Control Input Timing

Symbol	Description	Min	Max	Units
	TRCPCLK[1-4] frequencies	12.8	66	MHz
	TRCPCLK[1-4] duty cycle	40	60	%
$t_{S_{TRCPFP}}$	TRCPFP1-4 Set-up time to TRCPCLK1-4 rising edge	10	—	ns
$t_{H_{TRCPFP}}$	TRCPFP1-4 Hold time to TRCPCLK1-4 rising edge	5	—	ns
$t_{S_{TRCPDAT}}$	TRCPDAT1-4 Set-up time to TRCPCLK1-4 rising edge	10	—	ns
$t_{H_{TRCPDAT}}$	TRCPDAT1-4 Hold time to TRCPCLK1-4 rising edge	5	—	ns

Figure 60 Transmit Ring Control Input Timing Diagram



20.7 System Interface Timing

Table 39 System Interface ADD Bus Input Timing

Symbol	Description	Min	Max	Units
f _{ACK}	ACK Frequency (nominally 77.76MHz)	77	78	MHz
tH _{ACK}	ACK Hi Pulse Width	5	—	ns
tL _{ACK}	ACK Low Pulse Width	5	—	ns
tS _{AJ0J1_FP}	AJ0J1/AFP1-4 Set-up time to ACK rising edge	3	—	ns
tH _{AJ0J1_FP}	AJ0J1/AFP1-4 Hold time to ACK rising edge	0	—	ns
tS _{ADP}	ADP1-4 Set-up time to ACK rising edge	3	—	ns
tH _{ADP}	ADP1-4 Hold time to ACK rising edge	0	—	ns
tS _{AD}	AD1-4[7:0] Set-up time to ACK rising edge	3	—	ns
tH _{AD}	AD1-4[7:0] Hold time to ACK rising edge	0	—	ns
tS _{APL}	APL1-4 Set-up time to ACK rising edge	3	—	ns
tH _{APL}	APL1-4 Hold time to ACK rising edge	0	—	ns
tS _{APAIS}	APAIS1-4 Set-up time to ACK rising edge	3	—	ns
tH _{APAIS}	APAIS1-4 Hold time to ACK rising edge	0	—	ns
tS _{ACMP}	ACMP Set-up time to ACK rising edge	3	—	ns
tH _{ACMP}	ACMP Hold time to ACK rising edge	0	—	ns

Figure 61 System Interface ADD Bus Input Timing Diagram

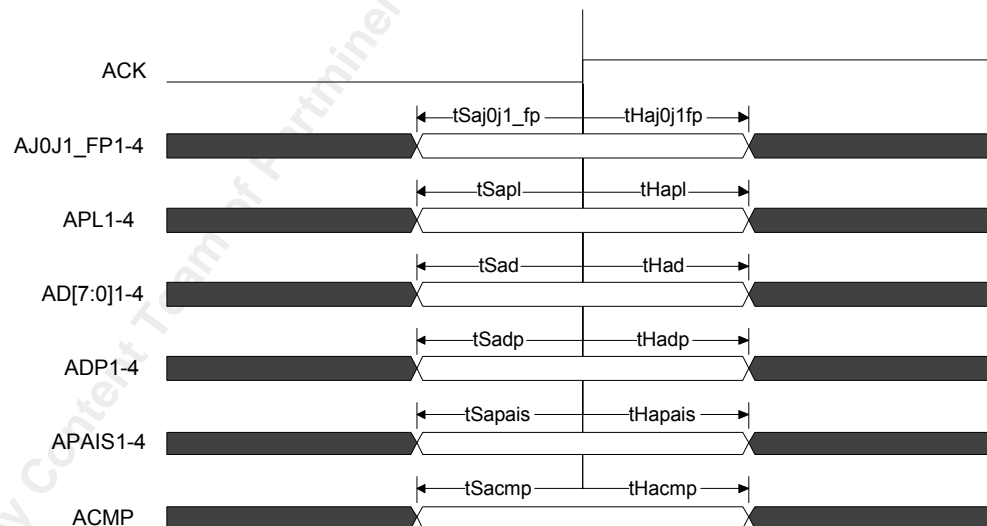


Table 40 System Interface DROP Bus Input Timing

Symbol	Description	Min	Max	Units
f _{DCK}	DCK Frequency (nominally 77.76MHz)	77	78	MHz
tH _{DCK}	DCK Hi Pulse Width	5	—	ns
tL _{DCK}	DCK Low Pulse Width	5	—	ns

Symbol	Description	Min	Max	Units
t _{SDJ0REF}	DJ0REF Set-up time to DCK rising edge	3	—	ns
t _{HDJ0REF}	DJ0REF Hold time to DCK rising edge	0	—	ns
t _{SDCMP}	DCMP Set-up time to DCK rising edge	3	—	ns
t _{HDCMP}	DCMP Hold time to DCK rising edge	0	—	ns

Figure 62 System Interface DROP Bus Input Timing Diagram

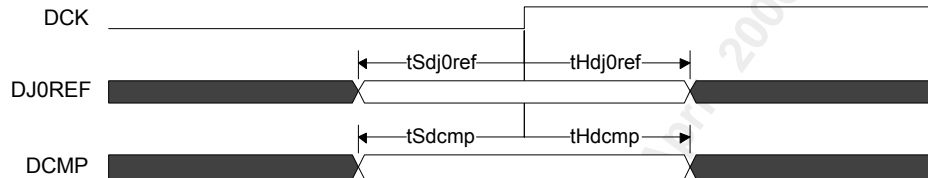
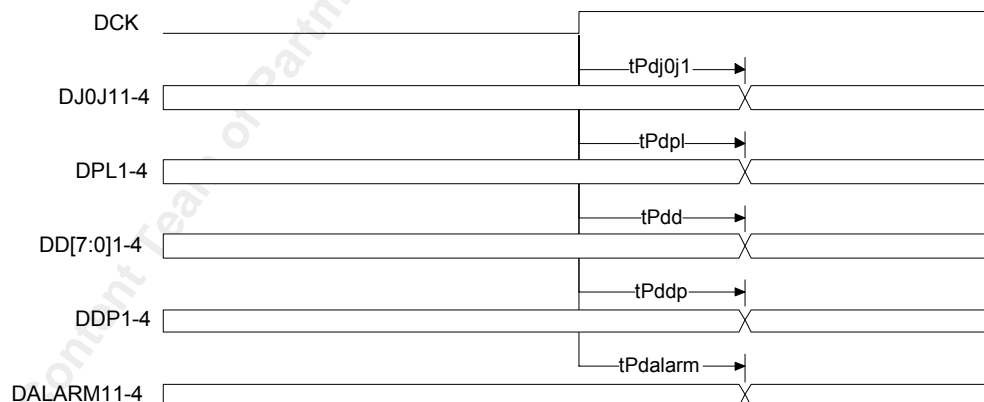


Table 41 System Interface DROP Bus Output Timing

Symbol	Description	Min	Max	Units
t _{PDJ0J1}	DCK rising edge to DJ0J11-4 valid	1	7	ns
t _{PDD}	DCK rising edge to DD1-4[7:0] valid	1	7	ns
t _{PDDP}	DCK rising edge to DDP1-4 valid	1	7	ns
t _{PDPL}	DCK rising edge to DPL1-4 valid	1	7	ns
t _{PDALARM}	DCK rising edge to DALARM1-4 valid	1	7	ns

Figure 63 System Interface DROP Bus Output Timing Diagram



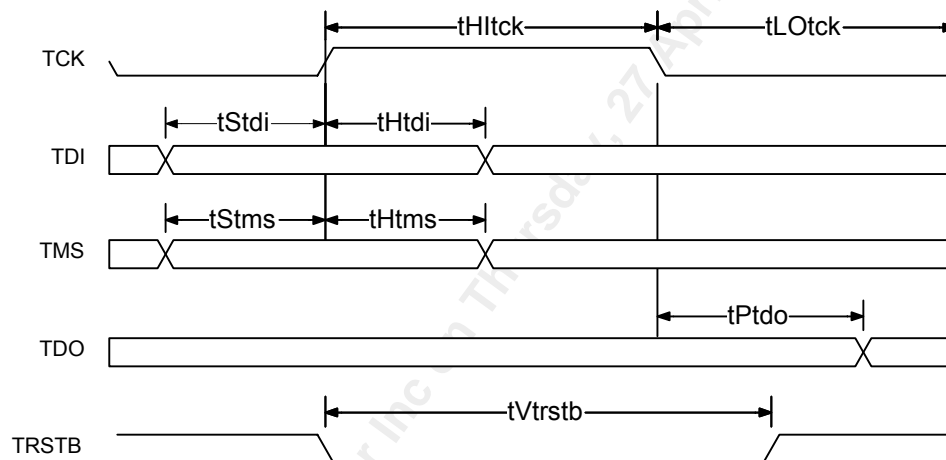
20.8 JTAG Test Port Timing

Table 42 JTAG Port Interface (Figure 64)

Symbol	Description	Min	Max	Units
f _{TCK}	TCK Frequency	—	4	MHz
t _{HI_{TCK}}	TCK HI Pulse Width	100	—	ns

Symbol	Description	Min	Max	Units
tH _{TCK}	TCK LO Pulse Width	100	—	ns
tS _{TMS}	TMS Set-up time to TCK	25	—	ns
tH _{TMS}	TMS Hold time to TCK	25	—	ns
tS _{TDI}	TDI Set-up time to TCK	25	—	ns
tH _{TDI}	TDI Hold time to TCK	25	—	ns
tP _{TDO}	TCK Low to TDO Valid	2	25	ns
tV _{TRSTB}	TRSTB Pulse Width	100	—	ns

Figure 64 JTAG Port Interface Timing



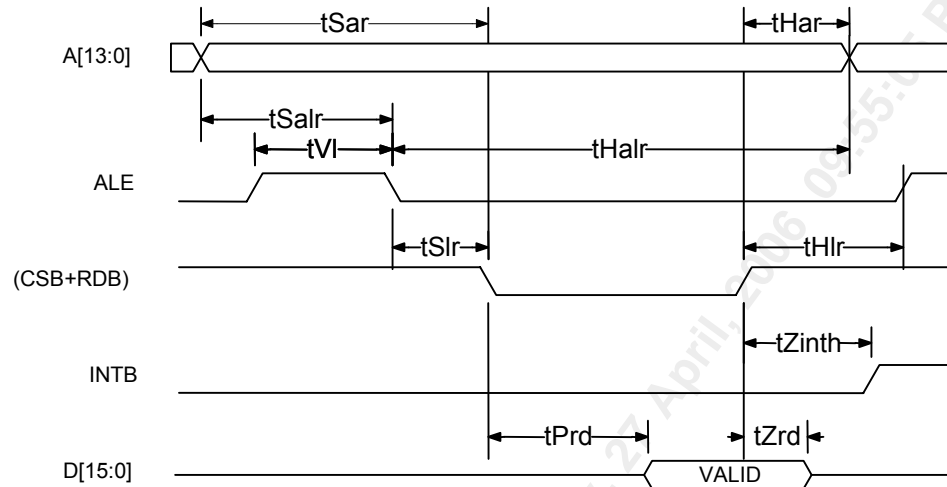
20.9 Microprocessor Interface Timing Characteristics

$T_A = -40^{\circ}\text{C}$ to $T_J = +125^{\circ}\text{C}$, $V_{VDD1} = V_{VDD1\text{typical}} \pm 5\%$, $V_{VDD0} = V_{VDD0\text{typical}} \pm 5\%$
(Typical Conditions: $T_C = 25^{\circ}\text{C}$, $V_{VDD1} = 1.8\text{V}$, $V_{VDD0} = 3.3\text{V}$)

Table 43 Microprocessor Interface Read Access (Figure 65)

Symbol	Parameter	Min	Max	Units
TSAR	Address to Valid Read Set-up Time	10	—	ns
THAR	Address to Valid Read Hold Time	5	—	ns
TSALR	Address to Latch Set-up Time	10	—	ns
THALR	Address to Latch Hold Time	10	—	ns
TVL	Valid Latch Pulse Width	5	—	ns
TSLR	Latch to Read Set-up	0	—	ns
THLR	Latch to Read Hold	5	—	ns
TPRD	Valid Read to Valid Data Propagation Delay	—	70	ns
TZRD	Valid Read Negated to Output Tri-state	—	20	ns
TZINTH	Valid Read Negated to INTB High (WCIMODE=0)	—	50	ns

Figure 65 Intel Microprocessor Interface Read Timing



Notes on Microprocessor Interface Read Timing

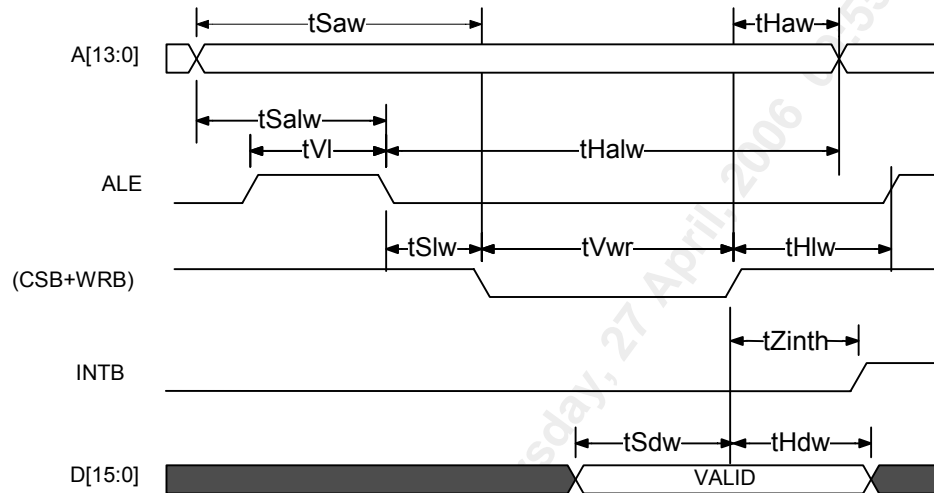
1. Output propagation delay time is the time in nanoseconds from the 1.4-Volt point of the reference signal to the 1.4 Volt point of the output.
2. Maximum output propagation delays are measured with a 100pF load on the Microprocessor Interface data bus, (D[15:0] and INTB).
3. A valid read cycle is defined as a logical OR of the CSB and the RDB signals.
4. In non-multiplexed address/data bus architectures, ALE should be held high so parameters $t_{S_{ALR}}$, $t_{H_{ALR}}$, t_{V_L} , $t_{S_{LR}}$, and $t_{H_{LR}}$ are not applicable.
5. Parameter $t_{H_{AR}}$ is not applicable if address latching is used.
6. When a set-up time is specified between an input and a clock, the set-up time is the time in nanoseconds from the 1.4 Volt point of the input to the 1.4 Volt point of the clock.
7. When a hold time is specified between an input and a clock, the hold time is the time in nanoseconds from the 1.4 Volt point of the input to the 1.4 Volt point of the clock.

Table 44 Microprocessor Interface Write Access (Figure 66)

Symbol	Parameter	Min	Max	Units
T_{SAW}	Address to Valid Write Set-up Time	10	—	ns
T_{SDW}	Data to Valid Write Set-up Time	20	—	ns
$T_{S_{ALW}}$	Address to Latch Set-up Time	10	—	ns
$T_{H_{ALW}}$	Address to Latch Hold Time	10	—	ns
T_{V_L}	Valid Latch Pulse Width	5	—	ns
$T_{S_{LW}}$	Latch to Write Set-up	0	—	ns
$T_{H_{LW}}$	Latch to Write Hold	5	—	ns
$T_{H_{DW}}$	Data to Valid Write Hold Time	5	—	ns
$T_{H_{AW}}$	Address to Valid Write Hold Time	5	—	ns
$T_{V_{WR}}$	Valid Write Pulse Width	40	—	ns
$T_{Z_{INTH}}$	Valid Write to INTB High	—	50	ns

Symbol	Parameter	Min	Max	Units
	(WCIMODE=1)			

Figure 66 Intel Microprocessor Interface Write Timing



Notes on Microprocessor Interface Write Timing

1. A valid write cycle is defined as a logical OR of the CSB and the WRB signals.
2. In non-multiplexed address/data bus architectures, ALE should be held high so parameters t_{SALW} , t_{HALW} , t_{VL} , t_{SLW} , and t_{HLW} are not applicable.
3. The parameter t_{HAW} is not applicable if address latching is used.
4. When a set-up time is specified between an input and a clock, the set-up time is the time in nanoseconds from the 1.4 Volt point of the input to the 1.4 Volt point of the clock.
5. When a hold time is specified between an input and a clock, the hold time is the time in nanoseconds from the 1.4 Volt point

21 Thermal Information

This product is designed to operate over a wide temperature range when used with a heat sink and is suited for outside plant equipment¹.

Table 45 Thermal Information

Maximum long-term operating junction temperature (T_J) to ensure adequate long-term life.	105°C
Maximum junction temperature (T_J) for short-term excursions with guaranteed continued functional performance ² . This condition will typically be reached when the local ambient temperature reaches 85 °C.	125 °C
Minimum ambient temperature (T_A)	-40 °C

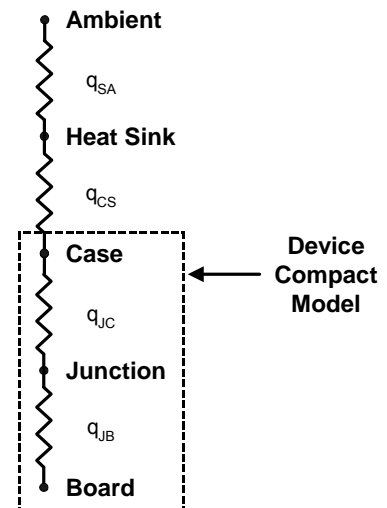
Table 46 Device Compact Model and Heat Sink Requirements

Device Compact Model³

Junction-to-Case Thermal Resistance, θ_{JC}	0.30 °C/W
Junction-to-Board Thermal Resistance, θ_{JB}	5.50 °C/W

Heat Sink Requirements

$\theta_{SA} + \theta_{CS}$ ⁴	The sum of $\theta_{SA} + \theta_{CS}$ must be less than or equal to: $[(105 - T_A) / P_D] - \theta_{JC} \text{ °C/W}$ where: T_A is the ambient temperature at the heat sink location P_D is the operating power dissipated in the package θ_{SA} and θ_{CS} are required for long-term operation
--	--



Power depends upon the operating mode. To obtain power information, refer to 'High' power values in section 18.1 Power Requirements.

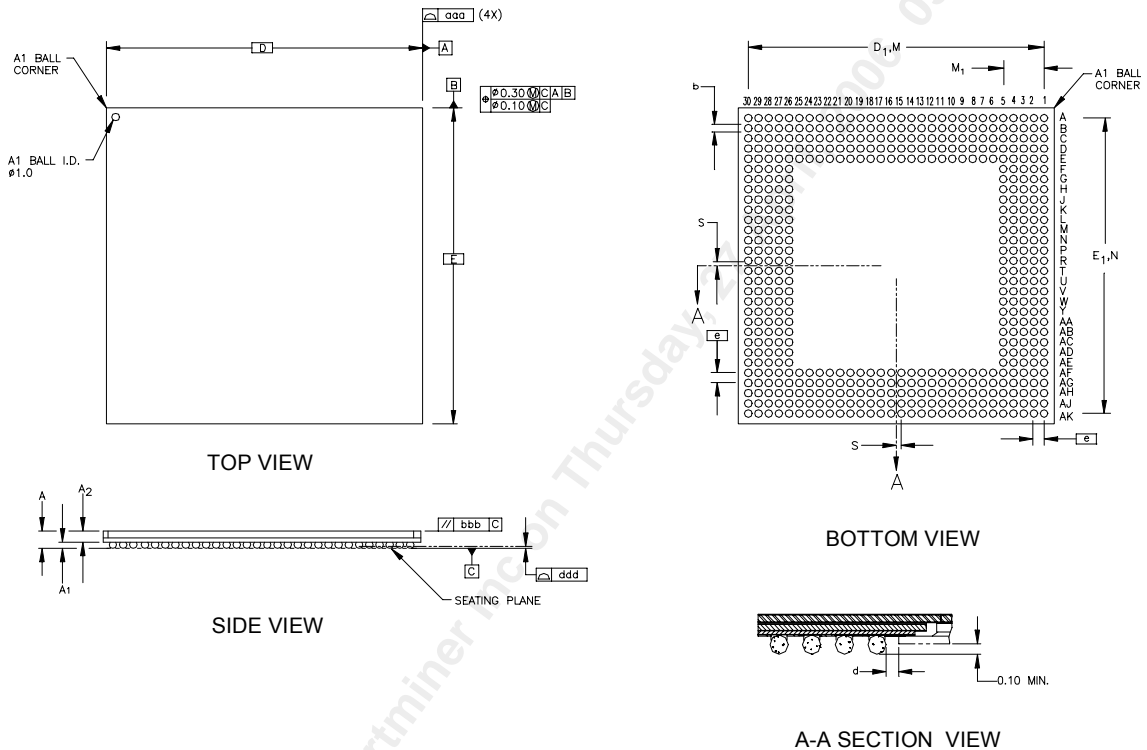
Notes

1. The minimum ambient temperature requirement for Outside Plant Equipment meets the minimum ambient temperature requirement for Industrial Equipment
2. Short-term is used as defined in Telcordia Technologies Generic Requirements GR-63-Core Core; for more information about this standard, see [17]
3. θ_{JC} , the junction-to-case thermal resistance, is a measured nominal value plus two sigma. θ_{JB} , the junction-to-board thermal resistance, is obtained by simulating conditions described in JEDEC Standard JESD 51-8; for more information about this standard, see [16]
4. θ_{SA} is the thermal resistance of the heat sink to ambient. θ_{CS} is the thermal resistance of the heat sink attached material. The maximum θ_{SA} required for the airspeed at the location of the device in the system with all components in place

22 Mechanical Information

500 PIN UBGA -31x31 MM BODY - (B SUFFIX)

Figure 67 Mechanical Drawing 500-pin UBGA



- NOTES: 1) ALL DIMENSIONS IN MILLIMETER.
 2) DIMENSION aaa DENOTES PACKAGE BODY PROFILE.
 3) DIMENSION bbb DENOTES PARALLEL.
 4) DIMENSION ddd DENOTES COPLANARITY.
 5) DIAMETER OF SOLDER MASK OPENING IS 0.53 +/- 0.025 MM DIAMETER (SMD).
 6) PACKAGE COMPLIANT TO JEDEC REGISTERED OUTLINE AAR-1, VARIATION BAL-2 BUT DOES NOT MEET DIM eee SPEC..

PACKAGE TYPE : 500 THERMALLY ENHANCED BALL GRID ARRAY - UBGA																
BODY SIZE : 31 x 31 x 1.47 MM																
Dim.	A	A1	A2	D	D1	E	E1	M,N	b	e	aaa	bbb	ddd	eee	d	S
Min.	1.32	0.40	0.92	-	-	-	-	-	0.50	-	-	-	-	-	0.50	-
Nom.	1.47	0.50	0.97	31.00 BSC	29.00 BSC	31.00 BSC	29.00 BSC	30x30	0.63	1.00 BSC	-	-	-	-	-	-
Max.	1.62	0.60	1.02	-	-	-	-	-	0.70	-	0.20	0.25	0.20	0.30	-	0.50

23 Ordering Information

Table 47 Ordering Information

Part No.	Description
PM5332-BI	500-pin UBGA
PM5332-BI	500-pin EBGA, 31mmx31mm: 1.0mm BP
PM5332-BGI	500-pin EBGA, 31 x 31 x 1.47 mm, 1.00 mm BP (RoHS-Compliant)

Downloaded by Content Team of Partminer Inc on Thursday, 27 April, 2016 09:55:05 PM

Notes

Downloaded by Content Team of Partminer Inc on Thursday, 27 April, 2006 09:55:05 PM

X-ON Electronics

Largest Supplier of Electrical and Electronic Components

Click to view similar products for [Telecom Interface ICs](#) category:

Click to view products by [Microchip](#) manufacturer:

Other Similar products are found below :

[MT8888CP1](#) [MT88E45BS1](#) [MT9174AN1](#) [MT88E39ASR1](#) [MT9074AL1](#) [MT9122AP1](#) [PEB4266TV12 S LL62](#) [DS3150TNC1+](#)
[DS26334GN+](#) [MT88E46AS1](#) [MT8963AE1](#) [DS26324GNA3+](#) [PM4351-RI](#) [PEF41068FV11 S LL8T](#) [PEF41068VV12 S LL8U](#)
[LE58QL022BVC](#) [LE58QL022BVCT](#) [LE88286DLC](#) [LE88276DLCT](#) [LE79252BTC](#) [RTL8019AS](#) [W7100A-S2E-100LQFP](#) [M100EVO-LITE](#)
[HE910NAR206T701](#) [XRT86VL38IB](#) [CMX631AD4](#) [XD8870](#) [82V2084PFG](#) [CPC5620A](#) [CPC5620ATR](#) [CPC5621A](#) [CPC5621ATR](#)
[CPC5622A](#) [CPC5622ATR](#) [DS21455+](#) [DS21348G+](#) [DS2148TN+](#) [CMX673E3](#) [LE88506DVC](#) [MT88E39AS1](#) [LE89810BSCT](#) [LE89810BSC](#)
[CMX673D4](#) [CMX683D4](#) [CMX602BD4](#) [MT8967AS1](#) [HC55185AIMZ](#) [MT8952BP1](#) [DS3150QN+](#) [DS2149Q+](#)