

PM5370 WSE 40

SONET/SDH Wideband Cross-Connect

Product Highlights

- Multi-purpose SONET/SDH VT/TU and SONET/SDH STS/STM cross-connect
- With a memory-switch architecture, implements a strictly non-blocking switch that supports a VT/TU level fabric of up to 45 Gbit/s
- Supports 18 high-speed Enhanced SONET Serial Interface (ESSI) CML links each independently configurable for STS-48/STM-16 at 2.488 Gbit/s or STS-12/STM-4 at 622.08 Mbit/s operation
- Supports system frame synchronization using an external frame pulse or ESSI smart frame synchronization using the frame boundary of the receive links
- Compensates for differences in frame boundary arrival times between ingress ports using FIFOs and device level software configurable delay registers
- Each SONET STS-1 or SDH VC3/VC4-TUG3 may be independently configured as a single unit and/or as a container of VT/TUs. The contents may be switched intact or switched as VT/TUs
- Allows each SONET VT Group to be independently configured to carry VT1.5, VT2, VT3, or VT6 tributaries
- Allows each SDH TUG2 to be independently configured to carry TU11, TU12, or TU2 tributaries
- Provides a device latency of 5.62 (+/-0.17) μ s for 2.488 Gbit/s links and 6.21 (+/-0.67) μ s for 622 Mbit/s links

SONET/SDH Overhead Accessibility

- Supports extraction of the transport overhead (TOH) from the ingress ports (both high and low-speed) as well as the insertion of transport overhead into the egress ports via low bandwidth two-bit 77.76 MHz interfaces

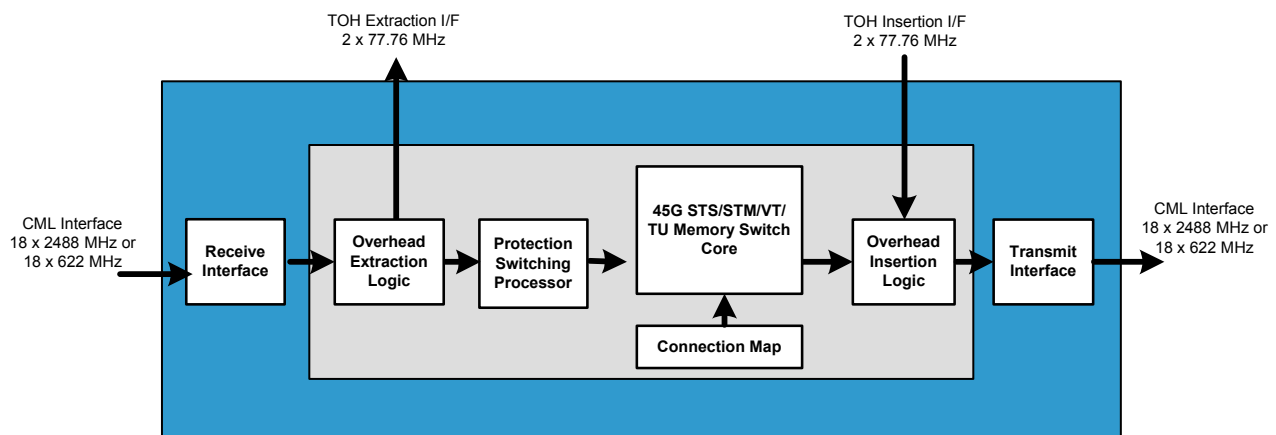
APS Features

- Supports a hardware-based Automatic Protection Switching mechanism (MAPS) for centralized link protection control when operating with other PMC-Sierra devices such as the PM5369 TUPP 9953
- Provides fully automatic protection switching for Class 1 protection services including 1+1 protection, UPSR, SNCP, and static mesh protection services
- Provides hardware assists for Class 2 protection services including 1:N protection, BLSR-2/4, MSSPRING-2/4, and dynamic mesh protection schemes

I/O and General

- All high-speed ingress and egress links are 1.2 V CML and are ELVDS-compatible with programmable pre-emphasis on transmit, equalization on receive, and support for both AC and DC coupled interfaces
- Each high-speed link supports SONET/SDH framed or unframed PRBS-23 or PRBS-7 generation and monitoring for off-line link verification

Block Diagram



- Configured, controlled, and monitored using a generic 32-bit microprocessor interface
- Provides a standard 5-signal IEEE 1149.1 JTAG test port for boundary scan test purposes

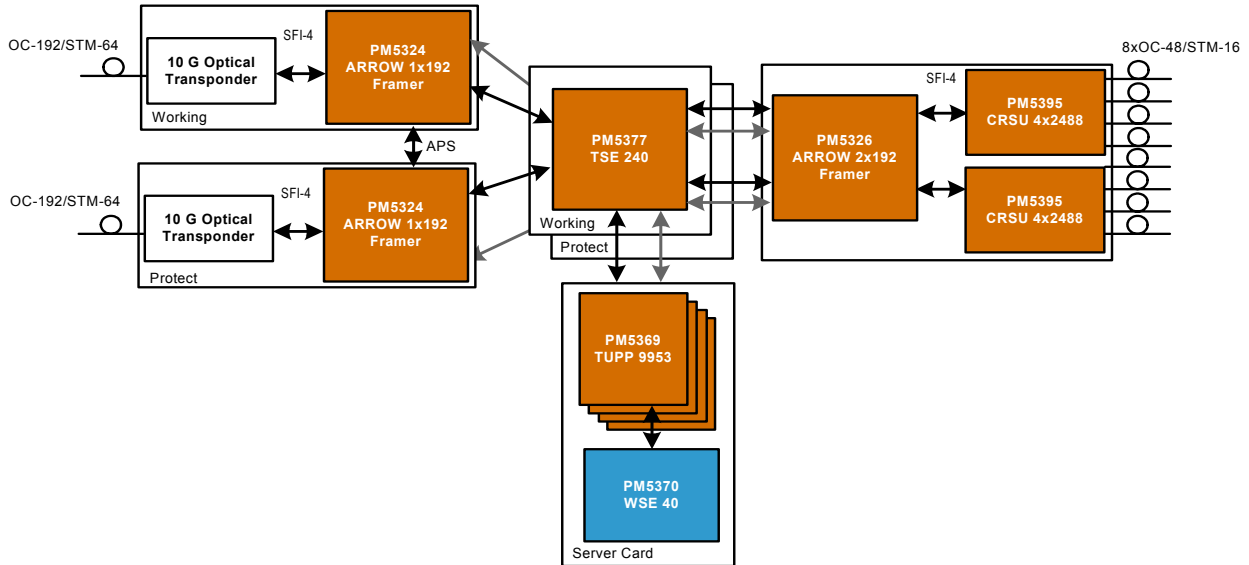
Package

- Implemented in 1.2 V core and 2.5 V I/O 0.13µm CMOS technology. Inputs are 3.3 V tolerant
- Packaged in a 672-ball FCBGA top-hat, 27 mm x 27mm

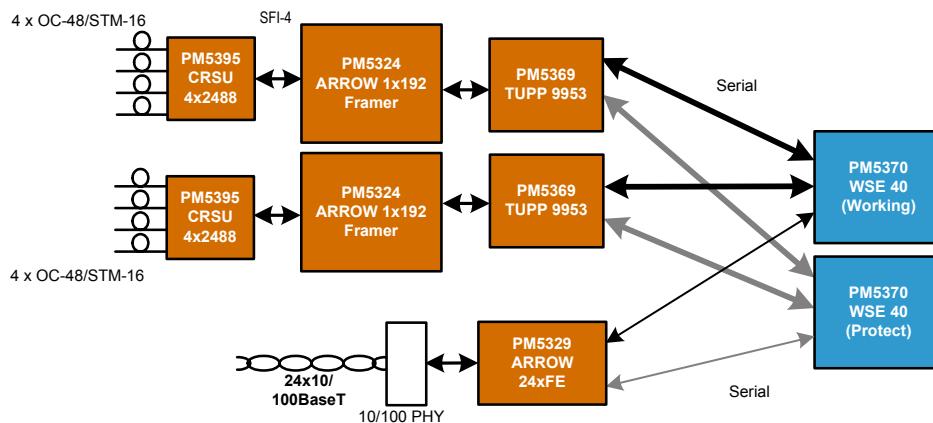
Applications

- SONET/SDH Add-Drop Multiplexer (ADM)
- SONET/SDH Digital Cross-connect (DCC)
- Multi-service Provisioning Platform (MSPP)
- Multi-service ADM (MS-ADM)
- Multi-service Switch (MSS)
- Optical Access Mux
- Terminal Multiplexers

OC-192/STM-64 Optical Cross-Connect with 40G VT/TU Cross-Connect Server Card



OC-48/STM-16 VT/TU ADM/Cross-Connect



Corporate Head Office:
 PMC-Sierra, Inc.
 Mission Towers One
 3975 Freedom Circle
 Santa Clara, CA, 95054, U.S.A.
 Tel: 1.408.239.8000
 Fax: 1.408.492.1157

Operations Head Office:
 PMC-Sierra, Inc.
 100-2700 Production Way
 Burnaby, BC V5A 4X1 Canada
 Tel: 1.604.415.6000
 Fax: 1.604.415.6200



Enabling connectivity. Empowering people.

X-ON Electronics

Largest Supplier of Electrical and Electronic Components

Click to view similar products for [Telecom Interface ICs](#) category:

Click to view products by [Microchip](#) manufacturer:

Other Similar products are found below :

[MT8888CP1](#) [MT88E45BS1](#) [MT9174AN1](#) [MT88E39ASR1](#) [MT9074AL1](#) [MT9122AP1](#) [PEB4266TV12 S LL62](#) [DS3150TNC1+](#)
[DS26334GN+](#) [MT88E46AS1](#) [MT8963AE1](#) [DS26324GNA3+](#) [PM4351-RI](#) [PEF41068FV11 S LL8T](#) [PEF41068VV12 S LL8U](#)
[LE58QL022BVC](#) [LE58QL022BVCT](#) [LE88286DLC](#) [LE88276DLCT](#) [LE79252BTC](#) [RTL8019AS](#) [W7100A-S2E-100LQFP](#) [M100EVO-LITE](#)
[HE910NAR206T701](#) [XRT86VL38IB](#) [CMX631AD4](#) [XD8870](#) [82V2084PFG](#) [CPC5620A](#) [CPC5620ATR](#) [CPC5621A](#) [CPC5621ATR](#)
[CPC5622A](#) [CPC5622ATR](#) [DS21455+](#) [DS21348G+](#) [DS2148TN+](#) [CMX673E3](#) [LE88506DVC](#) [MT88E39AS1](#) [LE89810BSCT](#) [LE89810BSC](#)
[CMX673D4](#) [CMX683D4](#) [CMX602BD4](#) [MT8967AS1](#) [HC55185AIMZ](#) [MT8952BP1](#) [DS3150QN+](#) [DS2149Q+](#)