

Single Channel OC-3c ATM and POS Physical Layer Device

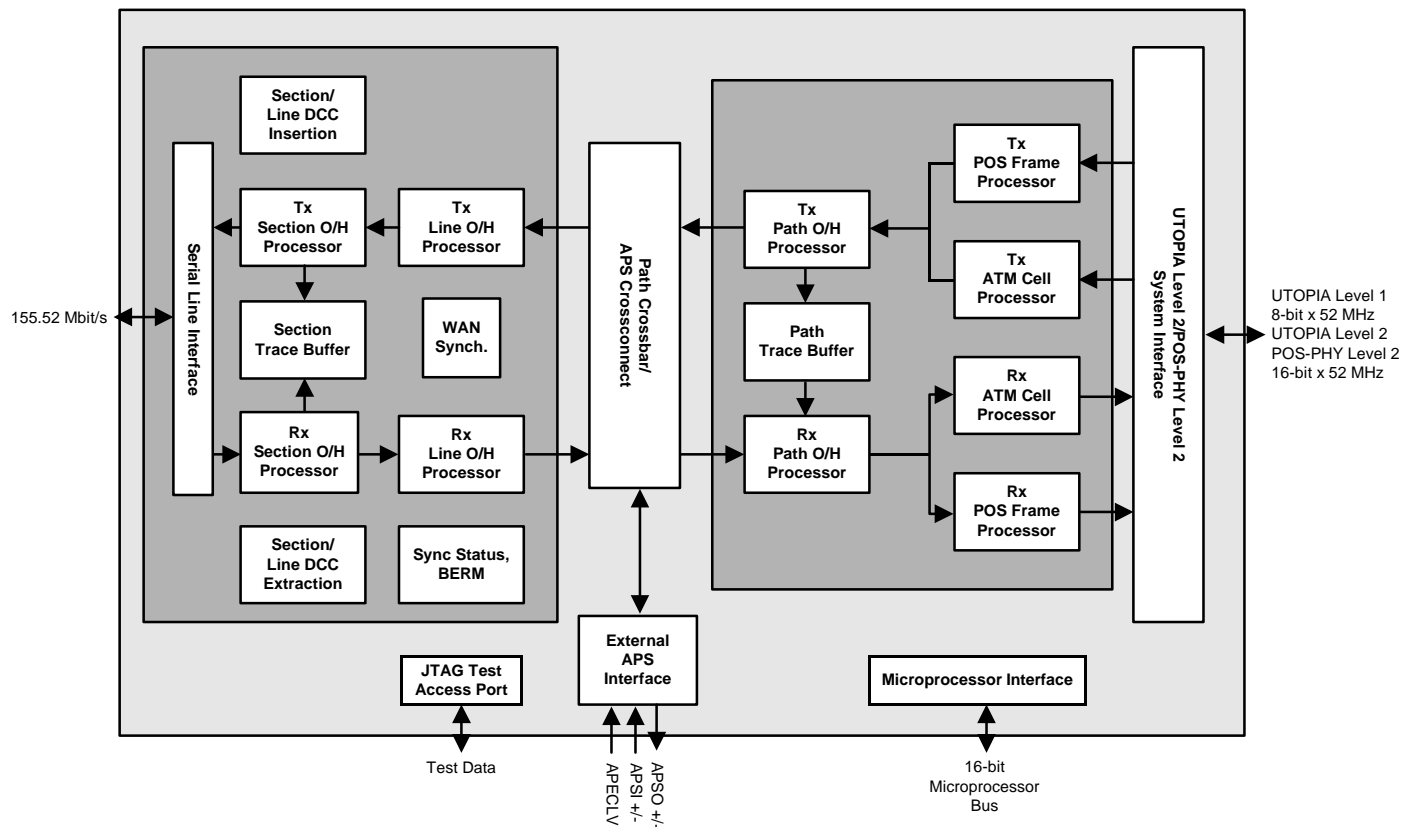
FEATURES

- Single chip ATM and Packet over SONET/SDH Physical Layer Device operating at 155.52 Mbit/s.
- Implements the ATM Forum User Network Interface (UNI) and the ATM physical layer for Broadband ISDN according to ITU Recommendation I.432.
- Implements Point-to-Point Protocol (PPP) over SONET/SDH according to RFC 2615.
- Processes duplex bit-serial 155.52 Mbit/s STS-3c/STM-1 data streams with on-chip clock and data recovery and clock synthesis.
- Complies with Bellcore GR-253-CORE (2000 Issue) jitter tolerance, jitter transfer (1995 issue), and intrinsic jitter criteria.
- Provides control circuitry required to comply with Bellcore GR-253-CORE WAN clocking requirements related to wander transfer, holdover, and long-term stability when using an external VCXO.
- Provides a UTOPIA Level 2, 8-bit wide system interface (clocked up to 52 MHz) with parity support for ATM applications.
- Provides a UTOPIA Level 2, 16-bit wide system interface (clocked up to 52 MHz) with parity support for ATM applications.
- Provides a SATURN® POS-PHY™ Level 2, 16-bit system interface (clocked up to 52 MHz) for Packet over SONET/SDH (POS) applications (similar to UTOPIA Level 2, but adapted for packet transfer).
- Provides support functions for 1+1 APS operation.
- Provides a standard 5-signal IEEE 1149.1 JTAG test port for boundary scan board test purposes.
- Provides a generic 8-bit microprocessor bus interface for configuration, control, and status monitoring.
- Low power 2.5/3.3 V CMOS with 5 V TTL-compatible digital inputs/outputs (PECL inputs/outputs are 3.3 V and 5 V compatible).
- Industrial temperature range (-40°C to +85°C).
- 15 mm x15 mm 196-pin stPBGA package with 1 mm ball pitch.

APPLICATIONS

- Routers and Layer 3 Switches.
- 3G Wireless Base Station Controllers.
- DSLAM Uplinks.
- WAN and Edge ATM switches.
- LAN switches and hubs.
- Packet switches and hubs.
- Network Interface Cards and Uplinks.

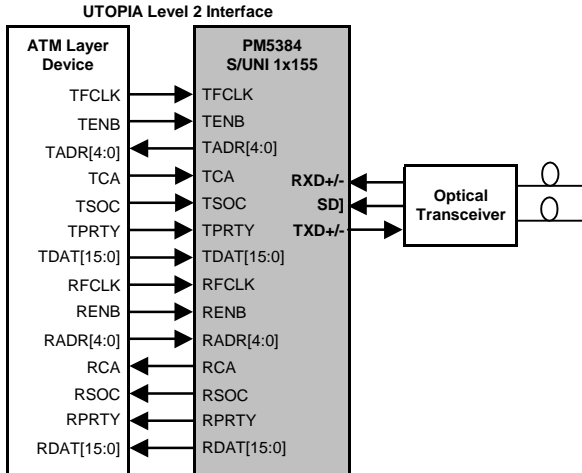
BLOCK DIAGRAM



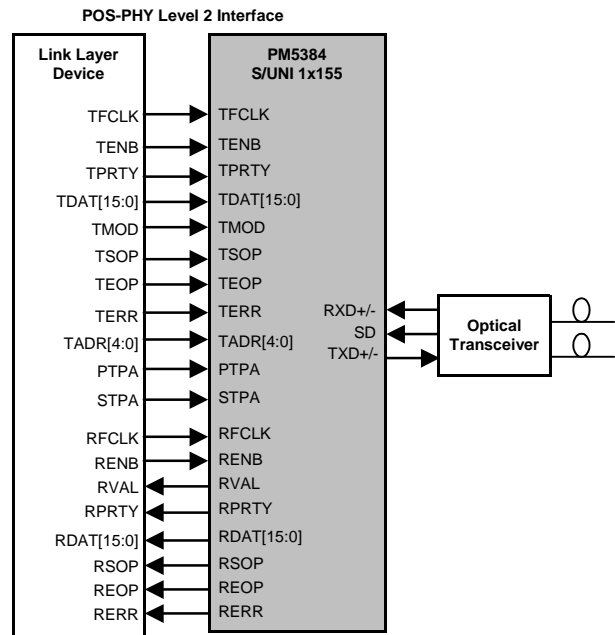
Single Channel OC-3c ATM and POS Physical Layer Device

TYPICAL APPLICATIONS

TYPICAL STS-3C/STM-1 ATM SWITCH PORT

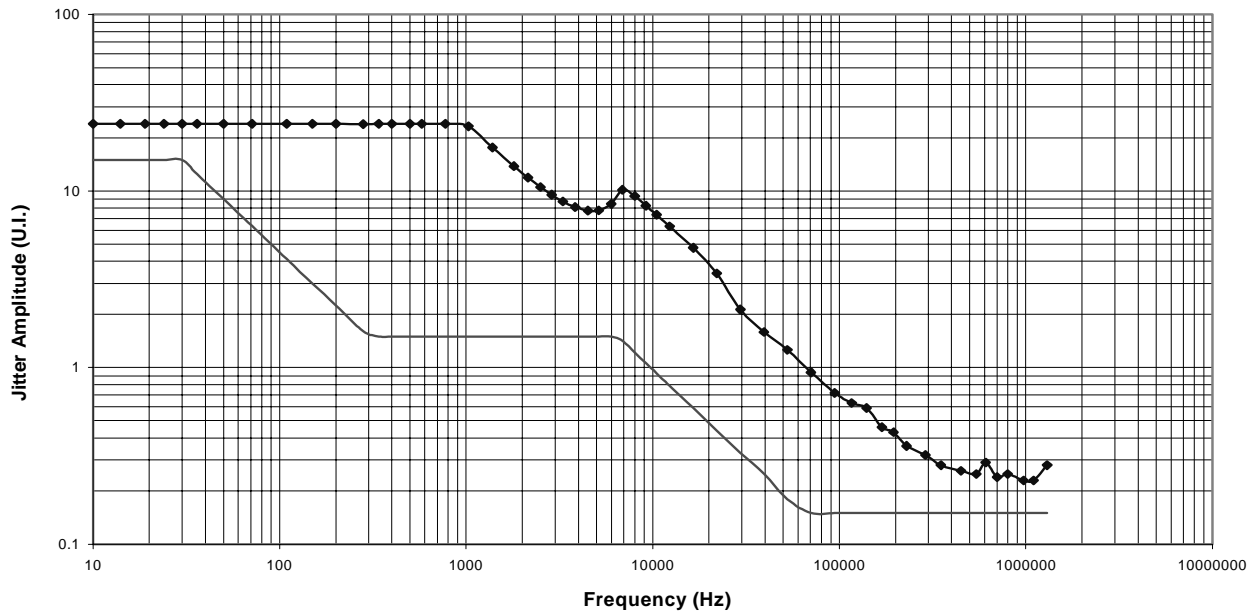


TYPICAL STS-3C/STM-1 PACKET-OVER-SONET/SDH



JITTER PLOT

Framed Jitter Tolerance at Nominal Voltage and Temperature with 1dB Optical Penalty



Head Office:
PMC-Sierra, Inc.
8555 Baxter Place
Burnaby, B.C. V5A 4V7
Canada
Tel: +1.604.415.6000
Fax: +1.604.415.6200

To order documentation,
send email to:
document@pmc-sierra.com
or contact the head office,
Attn: Document Coordinator

All product documentation is available
on our web site at:
<http://www.pmc-sierra.com>
For corporate information,
send email to:
info@pmc-sierra.com

PMC-2011690 (R2)
© Copyright PMC-Sierra,
Inc. 2002. All rights reserved.
SATURN and S/UNI are
registered trademarks of
PMC-Sierra, Inc. PMC-
Sierra, PMCS, PMC, and
POS-PHY are trademarks of
PMC-Sierra, Inc.

X-ON Electronics

Largest Supplier of Electrical and Electronic Components

Click to view similar products for [Telecom Interface ICs](#) category:

Click to view products by [Microchip](#) manufacturer:

Other Similar products are found below :

[MT8888CP1](#) [MT88E45BS1](#) [MT9174AN1](#) [MT9074AL1](#) [MT9122AP1](#) [PEB4266TV12 S LL62](#) [DS3150TNC1+](#) [DS26334GN+](#) [MT88E46AS1](#)
[MT8963AE1](#) [DS26324GNA3+](#) [PM4351-RI](#) [PEF41068FV11 S LL8T](#) [PEF41068VV12 S LL8U](#) [LE58QL022BVC](#) [LE58QL022BVCT](#)
[LE88286DLC](#) [LE88276DLCT](#) [LE79252BTC](#) [RTL8019AS](#) [W7100A-S2E-100LQFP](#) [M100EVO-LITE](#) [HE910NAR206T701](#) [XRT86VL38IB](#)
[CMX631AD4](#) [XD8870](#) [82V2084PFG](#) [CPC5620A](#) [CPC5620ATR](#) [CPC5621A](#) [CPC5621ATR](#) [CPC5622A](#) [CPC5622ATR](#) [DS21455+](#)
[DS21348G+](#) [DS2148TN+](#) [CMX673E3](#) [LE88506DVC](#) [MT88E39AS1](#) [LE89810BSCT](#) [LE89810BSC](#) [CMX673D4](#) [CMX683D4](#)
[CMX602BD4](#) [MT8967AS1](#) [HC55185AIMZ](#) [MT8952BP1](#) [DS3150QN+](#) [DS2149Q+](#) [CMX683E4](#)