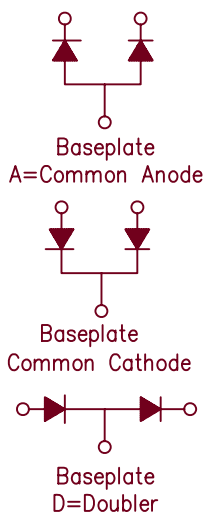
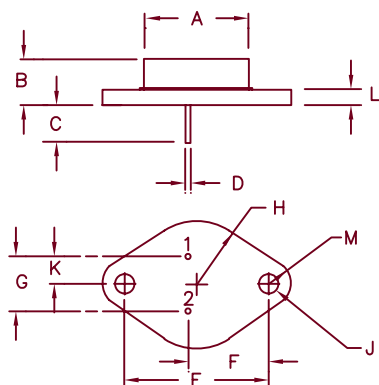


# 30 Amp Dual Power Rectifiers R702—R716X



Dim. Inches	Millimeter		Notes
	Minimum	Maximum	
A	—	.875	22.23 Dia.
B	.250	.450	6.35 11.43
C	.312	—	7.92 —
D	.038	.043	.97 1.09 Dia.
E	1.177	1.197	29.90 30.40
F	.655	.675	16.64 17.15
G	.420	.440	10.67 11.18
H	—	.525	13.34 Rad.
J	.151	.161	3.84 4.09 Dia.
K	.205	.225	5.21 5.72
L	—	.135	3.43
M	—	.188	4.78 Rad.

TO-204AA (TO-3)

Controlled Avalanche	Microsemi Standard	Fast Recovery	Peak Reverse Voltage
R702	R711	R711X	100V
R704	R712	R712X	200V
R706	R714	R714X	400V
	R716	R716X	600V

- Glass Passivated Die
- Hermetic Package
- VRRM 100V to 600V
- 250A Surge Rating
- Available as Common Anode, Common Cathode, or Doubler

## Electrical Characteristics

Average forward current per leg	IF(AV) 15 Amps	TC = 100°C
Maximum surge current per leg	IFSM 250 Amps	8.3ms, half sine, TJ = 150°C
Maximum surge current per leg - fast recovery	IFSM 150 Amps	8.3ms, half sine, TJ = 150°C
Max I <sup>2</sup> t for fusing	I <sup>2</sup> t 260 A <sup>2</sup> sec	
Max I <sup>2</sup> t for fusing - fast recovery	I <sup>2</sup> t 95 A <sup>2</sup> sec	
Max peak forward voltage	VFM 1.2 Volts	IFM = 15A: TJ = 25°C*
Max peak forward voltage - fast recovery	VFM 1.4 Volts	IFM = 15A: TJ = 25°C*
Max peak reverse current	IRM 1.0 mA	VRRM, TJ = 25°C
Max peak reverse current - fast recovery	IRM 5.0 mA	VRRM, TJ = 150°C
Max recovery time - fast recovery	t <sub>rr</sub> 200 ns	IF = 1A, IR = 2A, 25°C*

\*Pulse test: Pulse width 300  $\mu$ sec. Duty cycle 2%

## Thermal and Mechanical Characteristics

Storage temperature range	TSTG	-65°C to 150°C
Operating junction temp range	TJ	-65°C to 150°C
Maximum thermal resistance	R $\theta$ JC	1.5°C/W
Typical thermal resistance (greased)	R $\theta$ CS	0.5°C/W case to sink
Weight		1.0 ounces (25.4 grams) typical



6 Lake Street  
Lawrence, MA 01841  
PH: (978) 620-2600  
FAX: (978) 689-0803  
www.microsemi.com

05-01-07 Rev. 1

## X-ON Electronics

Largest Supplier of Electrical and Electronic Components

*Click to view similar products for [Rectifiers](#) category:*

*Click to view products by [Microchip](#) manufacturer:*

Other Similar products are found below :

[70HFR40](#) [RL252-TP](#) [150KR30A](#) [1N5397](#) [NTE5841](#) [NTE6038](#) [SCF5000](#) [1N4002G](#) [1N4005-TR](#) [JANS1N6640US](#) [481235F](#)  
[RRE02VS6SGTR](#) [067907F](#) [MS306](#) [70HF40](#) [T85HFL60S02](#) [US2JFL-TP](#) [A1N5404G-G](#) [CRS04\(T5L,TEMQ\)](#) [ACGRA4007-HF](#)  
[ACGRB207-HF](#) [CLH03\(TE16L,Q\)](#) [ACGRC307-HF](#) [ACEFC304-HF](#) [NTE6356](#) [NTE6359](#) [NTE6002](#) [NTE6023](#) [NTE6039](#) [NTE6077](#)  
[85HFR60](#) [40HFR60](#) [70HF120](#) [85HFR80](#) [D126A45C](#) [SCF7500](#) [D251N08B](#) [SCHJ22.5K](#) [SM100](#) [SCPA2](#) [SCH10000](#) [SDHD5K](#) [VS-](#)  
[12FL100S10](#) [ACGRA4001-HF](#) [D1821SH45T PR](#) [D1251S45T](#) [NTE5990](#) [NTE6358](#) [NTE6162](#) [NTE5850](#)