



**SC70-6 and SOT23-6/8 to DIP-8
Evaluation Board
User's Guide**

Note the following details of the code protection feature on Microchip devices:

- Microchip products meet the specification contained in their particular Microchip Data Sheet.
- Microchip believes that its family of products is one of the most secure families of its kind on the market today, when used in the intended manner and under normal conditions.
- There are dishonest and possibly illegal methods used to breach the code protection feature. All of these methods, to our knowledge, require using the Microchip products in a manner outside the operating specifications contained in Microchip's Data Sheets. Most likely, the person doing so is engaged in theft of intellectual property.
- Microchip is willing to work with the customer who is concerned about the integrity of their code.
- Neither Microchip nor any other semiconductor manufacturer can guarantee the security of their code. Code protection does not mean that we are guaranteeing the product as "unbreakable."

Code protection is constantly evolving. We at Microchip are committed to continuously improving the code protection features of our products. Attempts to break Microchip's code protection feature may be a violation of the Digital Millennium Copyright Act. If such acts allow unauthorized access to your software or other copyrighted work, you may have a right to sue for relief under that Act.

Information contained in this publication regarding device applications and the like is provided only for your convenience and may be superseded by updates. It is your responsibility to ensure that your application meets with your specifications. MICROCHIP MAKES NO REPRESENTATIONS OR WARRANTIES OF ANY KIND WHETHER EXPRESS OR IMPLIED, WRITTEN OR ORAL, STATUTORY OR OTHERWISE, RELATED TO THE INFORMATION, INCLUDING BUT NOT LIMITED TO ITS CONDITION, QUALITY, PERFORMANCE, MERCHANTABILITY OR FITNESS FOR PURPOSE. Microchip disclaims all liability arising from this information and its use. Use of Microchip devices in life support and/or safety applications is entirely at the buyer's risk, and the buyer agrees to defend, indemnify and hold harmless Microchip from any and all damages, claims, suits, or expenses resulting from such use. No licenses are conveyed, implicitly or otherwise, under any Microchip intellectual property rights.

Trademarks

The Microchip name and logo, the Microchip logo, dsPIC, KEELOQ, KEELOQ logo, MPLAB, PIC, PICmicro, PICSTART, rPIC and UNI/O are registered trademarks of Microchip Technology Incorporated in the U.S.A. and other countries.


FilterLab, Hampshire, HI-TECH C, Linear Active Thermistor, MXDEV, MXLAB, SEEVAL and The Embedded Control Solutions Company are registered trademarks of Microchip Technology Incorporated in the U.S.A.

Analog-for-the-Digital Age, Application Maestro, CodeGuard, dsPICDEM, dsPICDEM.net, dsPICworks, dsSPEAK, ECAN, ECONOMONITOR, FanSense, HI-TIDE, In-Circuit Serial Programming, ICSP, Mindi, MiWi, MPASM, MPLAB Certified logo, MPLIB, MPLINK, mTouch, Octopus, Omniscient Code Generation, PICC, PICC-18, PICDEM, PICDEM.net, PICKit, PICTail, PIC³² logo, REAL ICE, rLAB, Select Mode, Total Endurance, TSHARC, UniWinDriver, WiperLock and ZENA are trademarks of Microchip Technology Incorporated in the U.S.A. and other countries.

SQTP is a service mark of Microchip Technology Incorporated in the U.S.A.

All other trademarks mentioned herein are property of their respective companies.

© 2009, Microchip Technology Incorporated, Printed in the U.S.A., All Rights Reserved.

 Printed on recycled paper.

QUALITY MANAGEMENT SYSTEM
CERTIFIED BY DNV
== ISO/TS 16949:2002 ==

Microchip received ISO/TS-16949:2002 certification for its worldwide headquarters, design and wafer fabrication facilities in Chandler and Tempe, Arizona; Gresham, Oregon and design centers in California and India. The Company's quality system processes and procedures are for its PIC[®] MCUs and dsPIC[®] DSCs, KEELOQ[®] code hopping devices, Serial EEPROMs, microperipherals, nonvolatile memory and analog products. In addition, Microchip's quality system for the design and manufacture of development systems is ISO 9001:2000 certified.



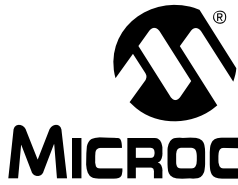
SC70-6 AND SOT-23-6/8 TO DIP-8 EVALUATION BOARD USER'S GUIDE

Table of Contents

Preface	5
Chapter 1. Product Overview	
1.1 Introduction	9
1.2 What is the SC70-6 and SOT-23-6/8 to DIP-8 Evaluation Board?	9
1.3 What the SC70-6 and SOT-23-6/8 to DIP-8 Evaluation Board Kit Includes .	10
Chapter 2. Installation and Operation	
2.1 Introduction	11
2.2 Features	11
2.3 Getting Started	12
2.4 SC70-6 and SOT-23-6/8 to DIP-8 Evaluation Board Description	15
Appendix A. Schematic and Layouts	
A.1 Introduction	23
A.2 Schematics and PCB Layout	23
Appendix B. Bill of Materials (BOM)	
Appendix C. Board Revision 1 Errata	
C.1 Issue	33
C.2 Solution	33
C.3 How to Determine pCB Revision	33
C.4 Schematics and PCB Layout of Revision 1	33
Worldwide Sales and Service	42

SC70-6 and SOT-23-6/8 to DIP-8 Evaluation Board User's Guide

NOTES:



SC70-6 AND SOT-23-6/8 TO DIP-8 EVALUATION BOARD USER'S GUIDE

Preface

NOTICE TO CUSTOMERS

All documentation becomes dated, and this manual is no exception. Microchip tools and documentation are constantly evolving to meet customer needs, so some actual dialogs and/or tool descriptions may differ from those in this document. Please refer to our web site (www.microchip.com) to obtain the latest documentation available.

Documents are identified with a "DS" number. This number is located on the bottom of each page, in front of the page number. The numbering convention for the DS number is "DSXXXXA", where "XXXX" is the document number and "A" is the revision level of the document.

For the most up-to-date information on development tools, see the MPLAB® IDE on-line help. Select the Help menu, and then Topics to open a list of available on-line help files.

INTRODUCTION

This chapter contains general information that will be useful to know before using the SC70-6 and SOT-23-6/8 to DIP-8 Evaluation Board. Items discussed in this chapter include:

- Document Layout
- Conventions Used in this Guide
- The Microchip Web Site
- The Microchip Web Site
- Customer Support
- Document Revision History

DOCUMENT LAYOUT

This document describes how to use the SC70-6 and SOT-23-6/8 to DIP-8 Evaluation Board as a development tool to emulate and debug firmware on a target board. The manual layout is as follows:

- **Chapter 1. "Product Overview"** – Important information about the SC70-6 and SOT-23-6/8 to DIP-8 Evaluation Board.
- **Chapter 2. "Installation and Operation"** – Includes instructions on how to get started with this evaluation board.
- **Appendix A. "Schematic and Layouts"** – Shows the schematic and layout diagrams for the SC70-6 and SOT-23-6/8 to DIP-8 Evaluation Board.
- **Appendix B. "Bill of Materials (BOM)"** – Lists the parts used to build the SC70-6 and SOT-23-6/8 to DIP-8 Evaluation Board.

CONVENTIONS USED IN THIS GUIDE

This manual uses the following documentation conventions:

DOCUMENTATION CONVENTIONS

Description	Represents	Examples
Arial font:		
Italic characters	Referenced books	<i>MPLAB® IDE User's Guide</i>
	Emphasized text	...is the <i>only</i> compiler...
Initial caps	A window	the Output window
	A dialog	the Settings dialog
	A menu selection	select Enable Programmer
Quotes	A field name in a window or dialog	"Save project before build"
Underlined, italic text with right angle bracket	A menu path	<u>File</u> > <i>Save</i>
Bold characters	A dialog button	Click OK
	A tab	Click the Power tab
N'Rnnnn	A number in verilog format, where N is the total number of digits, R is the radix and n is a digit.	4'b0010, 2'hF1
Text in angle brackets < >	A key on the keyboard	Press <Enter>, <F1>
Courier New font:		
Plain Courier New	Sample source code	#define START
	Filenames	autoexec.bat
	File paths	c:\mcc18\h
	Keywords	_asm, _endasm, static
	Command-line options	-Opa+, -Opa-
	Bit values	0, 1
	Constants	0xFF, 'A'
Italic Courier New	A variable argument	<i>file.o</i> , where <i>file</i> can be any valid filename
Square brackets []	Optional arguments	mcc18 [options] <i>file</i> [options]
Curly brackets and pipe character: { }	Choice of mutually exclusive arguments; an OR selection	errorlevel {0 1}
Ellipses...	Replaces repeated text	var_name [, var_name...]
	Represents code supplied by user	void main (void) { ... }

THE MICROCHIP WEB SITE

Microchip provides online support via our web site at www.microchip.com. This web site is used as a means to make files and information easily available to customers. Accessible by using your favorite Internet browser, the web site contains the following information:

- **Product Support** – Data sheets and errata, application notes and sample programs, design resources, user's guides and hardware support documents, latest software releases and archived software
- **General Technical Support** – Frequently Asked Questions (FAQs), technical support requests, online discussion groups, Microchip consultant program member listing
- **Business of Microchip** – Product selector and ordering guides, latest Microchip press releases, listing of seminars and events, listings of Microchip sales offices, distributors and factory representatives

CUSTOMER SUPPORT

Users of Microchip products can receive assistance through several channels:

- Distributor or Representative
- Local Sales Office
- Field Application Engineer (FAE)
- Technical Support
- Development Systems Information Line

Customers should contact their distributor, representative or field application engineer (FAE) for support. Local sales offices are also available to help customers. A listing of sales offices and locations is included in the back of this document.

Technical support is available through the web site at: <http://support.microchip.com>

In addition, there is a Development Systems Information Line which lists the latest versions of Microchip's development systems software products. This line also provides information on how customers can receive currently available upgrade kits.

The Development Systems Information Line numbers are:

1-800-755-2345 – United States and most of Canada

1-480-792-7302 – Other International Locations

DOCUMENT REVISION HISTORY

Revision A (October 2009)

- Initial Release of this Document.

SC70-6 and SOT-23-6/8 to DIP-8 Evaluation Board User's Guide

NOTES:



SC70-6 AND SOT-23-6/8 TO DIP-8 EVALUATION BOARD USER'S GUIDE

Chapter 1. Product Overview

1.1 INTRODUCTION

This chapter provides an overview of the SC70-6 and SOT-23-6/8 to DIP-8 Evaluation Board and covers the following topics:

- What is the SC70-6 and SOT-23-6/8 to DIP-8 Evaluation Board?
- What the SC70-6 and SOT-23-6/8 to DIP-8 Evaluation Board kit includes

1.2 WHAT IS THE SC70-6 AND SOT-23-6/8 TO DIP-8 EVALUATION BOARD?

The SC70-6 and SOT-23-6/8 to DIP-8 Evaluation Board allows the system designer to quickly evaluate the operation of Microchip Technology's devices in any of the following packages:

- SC70-6
- SC70-5
- SC70-3
- SOT-23-8
- SOT-23-6
- SOT-23-5
- SOT-23-3
- DIP-8

The board has a 6-pin header (PICKit Serial, ICSP, etc.) that can be easily jumpered to the device's desired pins to communicate with the device (using PICKit Serial) or in the case of PIC microcontrollers or EEPROM, programmed (using ICSP).

Figure 1-1 shows the top view of the PCB. The board allows the devices to easily be jumpered into a desired circuit. Also, the SC70 and SOT-23 packages could be converted to a DIP footprint. Each pad has a passive component footprint that is connected to the VDD plane (RxU) and a second passive component footprint that is connected to the VSS plane (RxD).

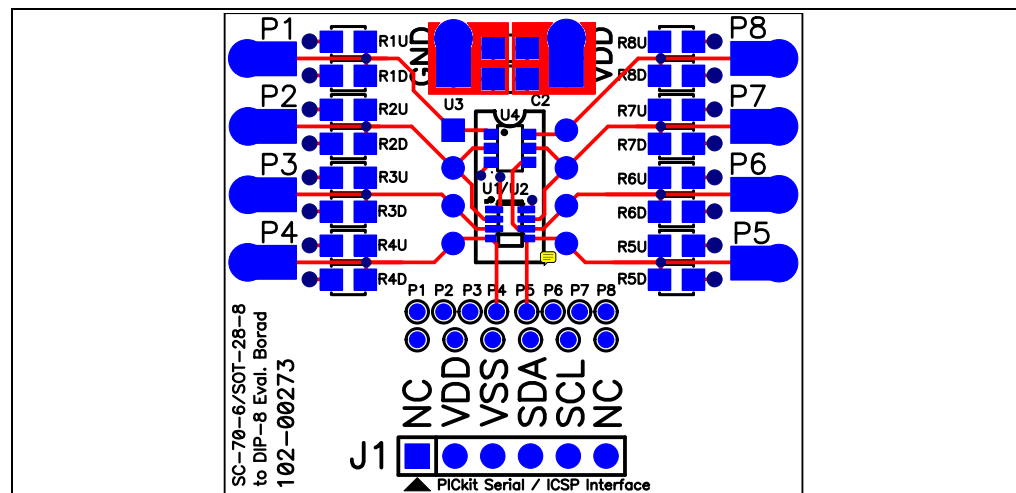


FIGURE 1-1: PCB Top View.

Devices from the following Microchip product families can be installed into this PCB:

- A/D Converters (ADCs)
- Battery Management
- CAN
- Comparators
- D/A Converters (DACs)
- DC-to-DC Converters
- Digital Potentiometers (Digi-Pots)
- EEPROM Serial Memory
- Fan Controllers
- IrDA
- LIN
- Linear Regulators
- Operational Amplifiers (Op Amps)
- Piezoelectric Horn Driver
- Power MOSFET Drivers
- Programmable Gain Amplifiers (PGAs)
- Selectable Gain Amplifiers
- Smoke Detection Front End
- Switching Regulators
- Temperature Sensors
- Voltage References
- Voltage Supervisors and Detectors
- PICmicro[®] Microcontrollers

1.3 WHAT THE SC70-6 AND SOT-23-6/8 TO DIP-8 EVALUATION BOARD KIT INCLUDES

This SC70-6 and SOT-23-6/8 to DIP-8 Evaluation Board kit includes:

- SC70-6 and SOT-23-6/8 to DIP-8 Evaluation Board, 102-00273
- Important Information Sheet



SC70-6 AND SOT-23-6/8 TO DIP-8 EVALUATION BOARD USER'S GUIDE

Chapter 2. Installation and Operation

2.1 INTRODUCTION

The SC70-6 and SOT-23-6/8 to DIP-8 Evaluation Board allows the system designer to quickly evaluate the operation of devices. This board is generic so that any device, of the appropriate footprint, may be installed. Refer to the device data sheet, however, for suitability of device evaluation (noise, lead length, signal integrity, etc).

As well as the device, other desired passive components (resistors and capacitors) and connection posts may be installed. This allows the board to evaluate a minimum configuration for the device. Also, this allows the device to be easily jumpered into an existing system.

The board also has a 6-pin interface (PICkit Serial, ICSP, BFMP, etc.) whose signals can easily be jumpered to any of the device's pins.

2.2 FEATURES

The SC70-6 and SOT-23-6/8 to DIP-8 Evaluation Board has the following features:

- Connection terminals may be either through-hole or surface-mount
- Three package type footprints supported:
 - SC70-6
 - SC70-5
 - SC70-3
 - SOT-23-8
 - SOT-23-6
 - SOT-23-5
 - SOT-23-3
 - DIP-8 (300 millimeter spacing)
- Footprints for optional passive components (SMT 805 footprint) for:
 - Power supply filtering (C_1 and C_2 footprints)
 - Device bypass capacitor (RxD footprint for device pin connected to V_{DD})
 - Output filtering (RxD footprint)
 - Output pull-up resistor (RxU footprint)
 - Output pull-down resistor (RxD footprint)
 - Output loading resistor (RxD footprint)
- Silk-screen area to write specifics of implemented circuit (on back of PCB), such as MCP4018 10 k Ω
- Can be used for SC70 or SOT-23 to DIP-8 converter
- PICkit Serial Analyzer / PICkit 2 Programming (ICSP) Header

2.3 GETTING STARTED

The SC70-6 and SOT-23-6/8 to DIP-8 Evaluation Board is a blank PCB that allows the user to configure the circuit to the exact requirements. The passive components use the surface-mount 805 package layout.

This evaluation board supports the following Microchip product device families:

- A/D Converters (ADCs)
- Battery Management
- CAN
- Comparators
- D/A Converters (DACs)
- DC-to-DC Converters
- Digital Potentiometers (Digi-Pots)
- EEPROM Serial Memory
- Fan Controllers
- IrDA
- LIN
- Linear Regulators
- Operational Amplifiers (Op Amps)
- Piezoelectric Horn Driver
- Power MOSFET Drivers
- Programmable Gain Amplifiers (PGAs)
- Selectable Gain Amplifiers
- Smoke Detection Front End
- Switching Regulators
- Temperature Sensors
- Voltage References
- Voltage Supervisors and Detectors
- PICmicro[®] Microcontrollers

Figure 2-1 shows the evaluation board circuit. The pins on the 8-pin SOT-23-8 and DIP devices are tied together (pin number to pin number). The pins of the 6-pin SC70 and SOT-23 devices are tied as if the DIP was a 6-pin DIP. This circuit allows each pin to individually have any of the following: a pull-up resistor, a pull-down resistor (or a loading/filtering capacitor). Power supply filtering capacitors are connected between the VDD and VSS pads (C1 and C2).

The circuit has a 6-pin header that can be used for PICKit Serial communication as well as PIC ICSP. The signals of this header would need to be jumpered to the appropriate device signal.

Installation and Operation

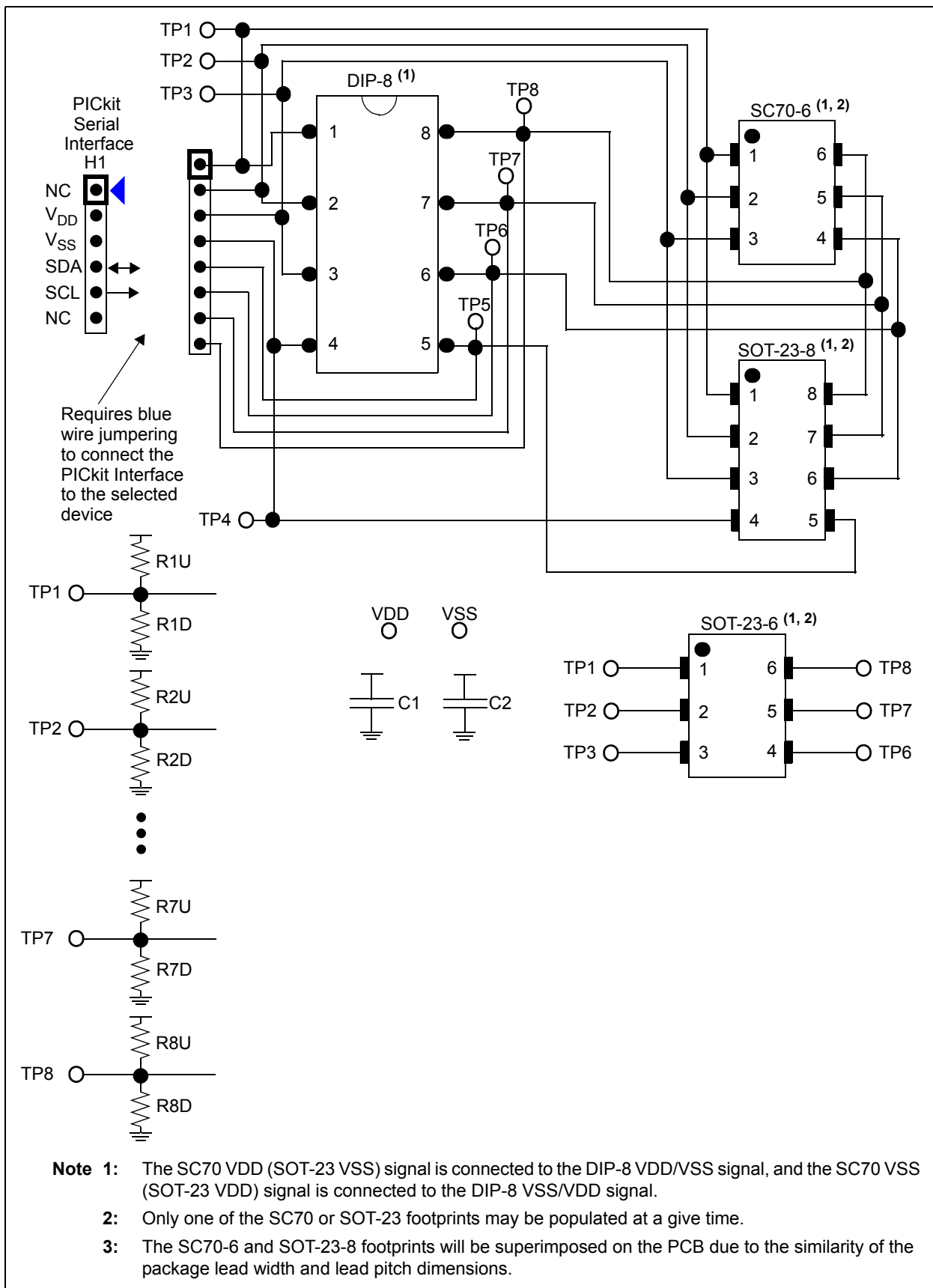


FIGURE 2-1: SC70-6 and SOT-23-6/8 to DIP-8 Evaluation Board Circuit.

2.3.1 The Hardware

Figure 2-2 shows the component layout of the SC70-6 and SOT-23-6/8 to DIP-8 Evaluation Board. This is a small four-layer board (1.43" x 1.255" (36.322 mm x 31.877 mm)). There are ten connection points/pads that can use either through-hole or surface-mount connector posts.

The pad labeled VDD is connected to the PCB power plane, while the pad labeled VSS is connected to the PCB ground plane. All the passive components that are connected to VDD or VSS are connected to either the power plane or ground plane.

The eight remaining PCB pads correspond to the device pins (i.e., pad 1 connects to pin 1).

Each pad has two passive components associated with them: a pull-up resistor and a pull-down resistor. The pull-up resistor is always RXU and the pull-down resistor is RXD. The "X" is a numeric value that corresponds to a particular pad (1 to 8). As an example, Pad 5's pull-up resistor is R5U. Capacitor C1 and C2 are the power supply filtering capacitors. For whichever pin is the device's VDD, the RxD component footprint can be used for the device's bypass capacitor. Table 2-1 describes the components.

A 6-pin header interface is available to support the PICKit Serial or the PICmicro In-Circuit Serial Programming (ICSP) interface. For additional information, refer to **Section 2.4.5 "PICKit Serial or In-Circuit Serial Programming (ICSP) Interface (Header J1)"**.

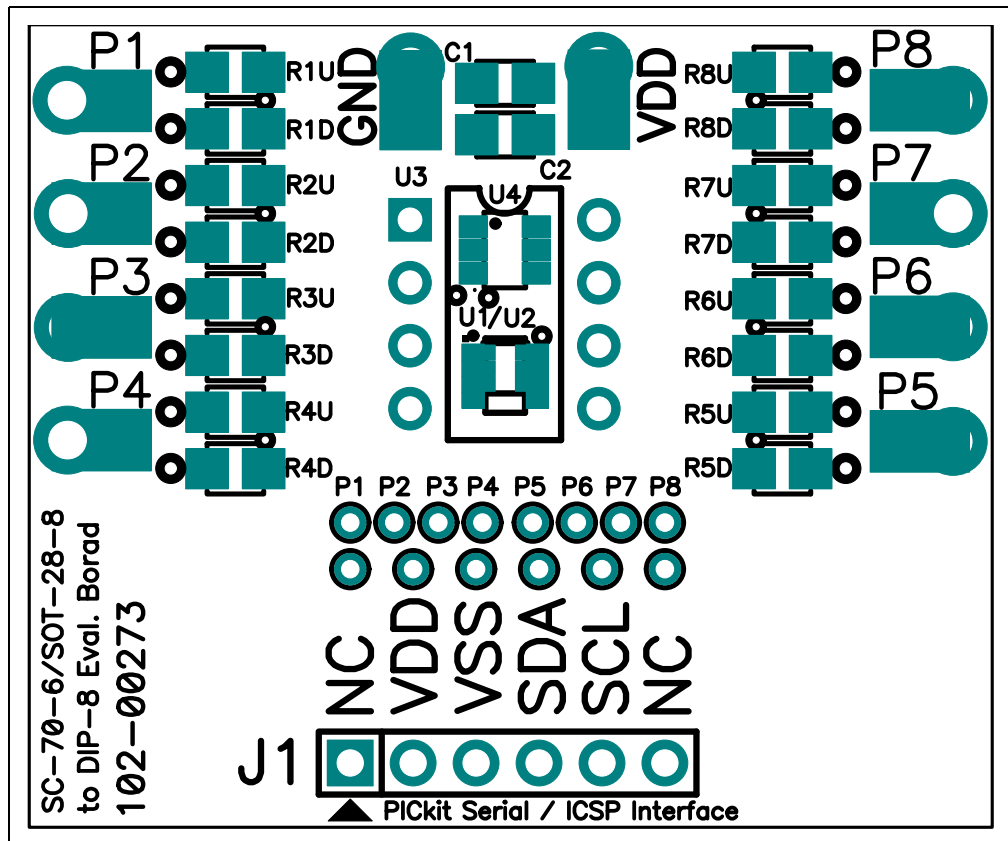


FIGURE 2-2: SC70-6 and SOT-23-6/8 to DIP-8 Evaluation Board Layout.

TABLE 2-1: OPTIONAL PASSIVE COMPONENTS (2)

Component	Comment
C1, C2	Power supply bypass capacitors
R1U, R2U, R3U, R4U, R5U, R6U, R7U, R8U	Pull-up resistor
R1D, R2D, R3D, R4D, R5D, R6D, R7D, R8D	Pull-down resistor (1)

Note 1: Whichever pin is the device's VDD pin, that corresponding RXD footprint can be used for the device's bypass capacitor. So if Pin 8 is the device's VDD pin, then install the bypass capacitor in the R8D footprint.

2: All passive components use the surface mount 805 footprint

2.4 SC70-6 AND SOT-23-6/8 TO DIP-8 EVALUATION BOARD DESCRIPTION

The SC70-6 and SOT-23-6/8 to DIP-8 Evaluation Board PCB is designed to be flexible in the type of device evaluation that can be implemented.

The following sections describe each element of this evaluation board in further detail. Refer to Figure 2-3.

2.4.1 Power and Ground

The SC70-6 and SOT-23-6/8 to DIP-8 Evaluation Board has a VDD Pad and a VSS pad. These pads can have connection posts installed that allows easy connection to the power (V_{DD}) and ground (V_{SS}) planes. The layout allows either through-hole or surface-mount connectors.

The power and ground planes are connected to the appropriate passive components on the PCB (such as power plane to RXU and ground plane to RXD components).

2.4.2 PCB PADS

For each package pin (pins 1 to 8), there is a PCB pad (pads 1 to 8). The device will have some power pins (V_{DD}) and some ground pins (V_{SS}). To ease connections on the PCB, vias to the power and ground plane have been installed close to each PCB pad. This allows any pad to be connected to the power or ground plane (see Figure 2-3). So when power is connected to the VDD and VSS pads, the power is connected to the appropriate device pin.

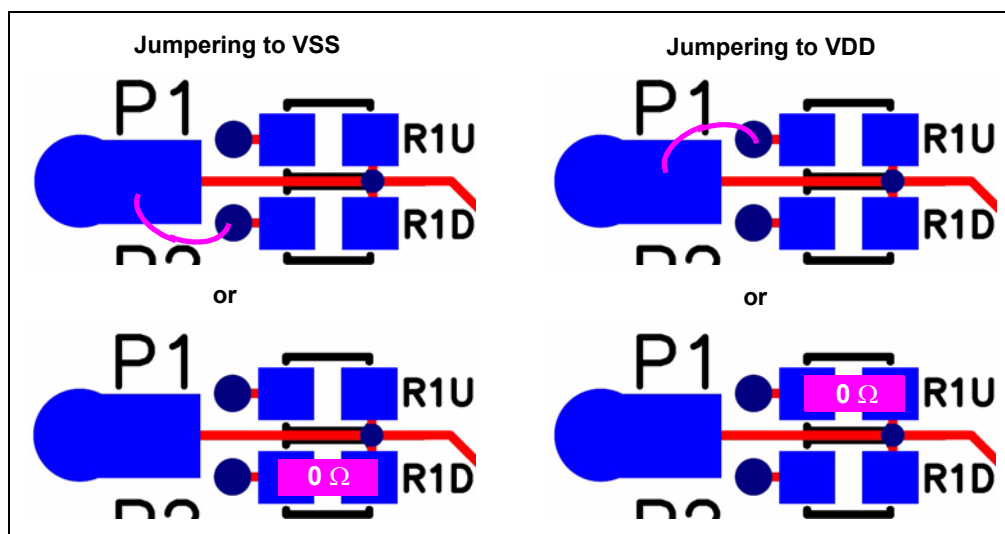


FIGURE 2-3: Connecting the PCB pad to either VDD or VSS.

2.4.3 Passive Components (RXU, RXD, C1, and C2)

The footprints for these components are present to allow maximum flexibility in the use of this PCB to evaluate a wide range of devices. The purpose of these components may vary depending on the device under evaluation and how it is to be used in the desired circuit. Refer to the device data sheet for the recommended components that should be used when evaluating that device.

- Component RXU allows a pull-up resistor to be installed for the device pin
- Component RXD allows a pull-down resistor or a a capacitive load/filter to be installed for the device pin
- Component C1 and C2 allows power supply filtering capacitors to be installed

2.4.4 Device Footprints

This section describes the characteristics of the component footprints so that you are better able to determine if the desired component(s) will be compatible with the board.

2.4.4.1 SC70-6 AND SOT-23-8

The 6-pin SC70 footprint has been superimposed on the 8-pin SOT-23 footprint. Figure 2-4 shows how the SC70-6 and the SOT-23-8 footprint have been superimposed. This was done since the pin pitch and width are identical for these two packages. Only the body width is different (the SC70 is narrower).

The 6-pin SC70 and 8-pin SOT-23 footprint is laid out for packages that have a typical pitch of 0.65 mm (BSC), a maximum lead width of 0.30 mm.

The 6-pin SC70 footprint has a molded package width of 1.25 mm (BSC), while the 8-pin SOT-23 footprint has a maximum molded package width of 1.75 mm.

Packages that meet these characteristics should be able to be used with this board.

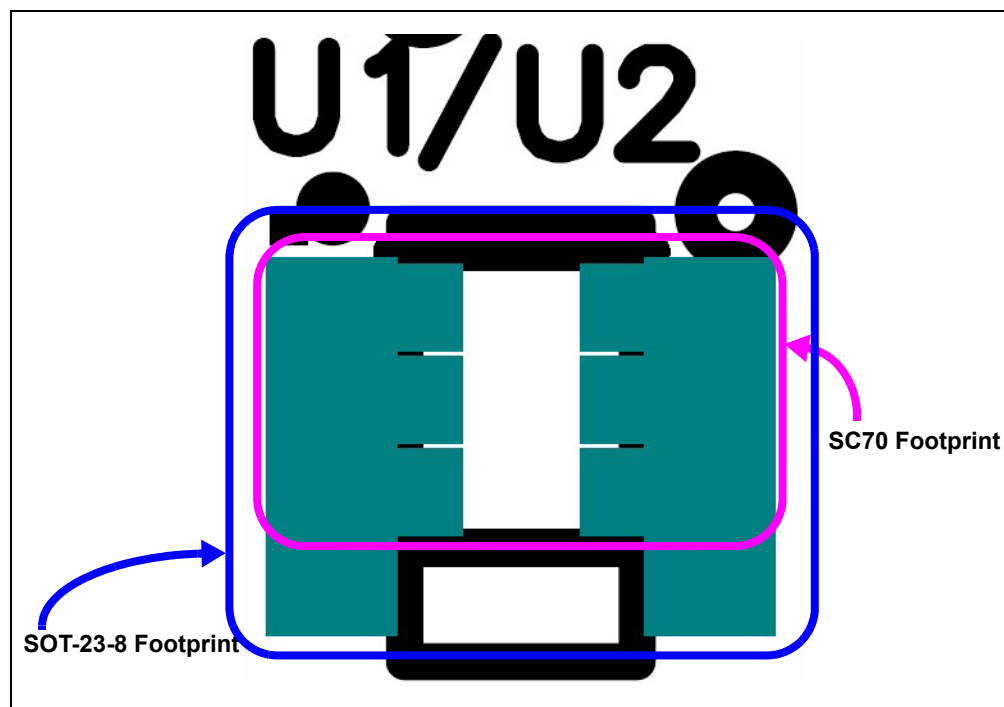


FIGURE 2-4: Superimposing of SC70-6 and SOT-23-8 Footprints.

2.4.4.2 SOT-23-6

The 6-pin SOT-23 footprint is laid out for packages that have a typical pitch of 0.65 mm (BSC), a maximum lead width of 0.45 mm, and a maximum molded package width of 1.75 mm. Six lead SOT-23 packages that meet these characteristics should be able to be used with this board.

2.4.4.3 DIP-8

The 8-pin DIP footprint is laid out for packages that have a typical pitch of 100 mil (BSC), a maximum lead width of 22 mil, and a molded package width of 300 mil. 8-lead SOT-23 packages that meet these characteristics should be able to be used with this board.

2.4.4.4 PASSIVE COMPONENTS

All passive components (RXU, RXD, and CX) use a surface mount 805 footprint. Any component that has a compatible footprint could be used with this board.

2.4.4.5 HEADER (1X6)

The header has a typical pitch of 100 mil (BSC). This header is designed to be compatible with the PICkit Serial Analyzer and PICkit 2 Programmer.

2.4.5 PICkit Serial or In-Circuit Serial Programming (ICSP) Interface (Header J1)

Figure 2-5 shows the interface connection of Header J1. The VDD and VSS signals are connected to the appropriate power or ground plane. The other four signals are open and can be easily jumpered to any of the eight P1 through P8 connection points.

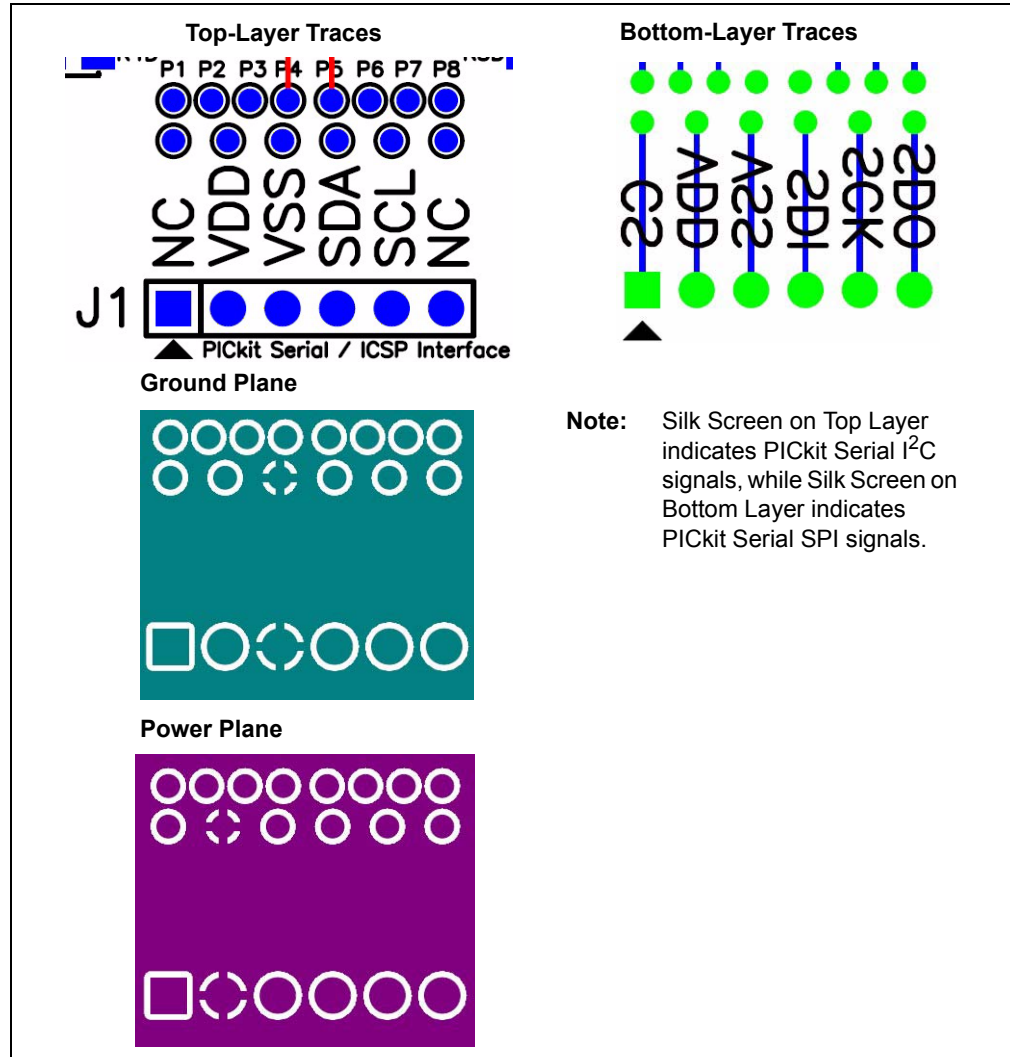


FIGURE 2-5: PICkit Serial / ICSP Interface Connections.

2.4.5.1 PICKIT SERIAL INTERFACE

Table 2-2 shows the pin number assignment for the different signals for each of the supported interface protocols (SPI, I²C, etc.)

TABLE 2-2: PICKIT SERIAL HEADER SIGNALS

Pin Number	PICKit Serial Header Signal					Comments
	SPI	I ² C	USART	Microwire	LIN	
1	CS	—	TX	CS	TX	
2	VDD	VDD	VDD	VDD	—	
3	VSS	VSS	VSS	VSS	VSS	
4	SDI	SDA	—	SDI	CS/WAKE	
5	SCK	SCL	—	SCK	FAULT/TXE	
6	SDO	—	RX	SDO	RX	

2.4.5.2 ICSP INTERFACE

The ICSP interface allows a PICmicro MCU device to be programmed with programmers that support this interface, such as the PICkit 2 programmer (part number PG164120). Table 2-3 shows the pin number assignment for the ICSP signals.

TABLE 2-3: ICSP HEADER SIGNALS

Pin Number	ICSP Signal	Comments
1	VPP	High Voltage Signal
2	VDD	
3	VSS	
4	DT	ICSP™ Data
5	CLK	ICSP™ Clock
6	—	

2.4.6 Evaluating the MCP4018 Device (A Digital Potentiometer with I²C interface)

The MCP4018 is a Digital Potentiometer that is in a 6-lead SC70 package with an I²C serial interface. This allows the device to be communicated to (Read and Write) by the PICkit Serial Analyzer. For this to occur, the PICkit Serial Analyzer signals must be connected to the correct MCP4018 signals. These connections are shown in Figure 2-6.

Other Digital Potentiometers that are supported by this evaluation board are shown in Table 2-4.

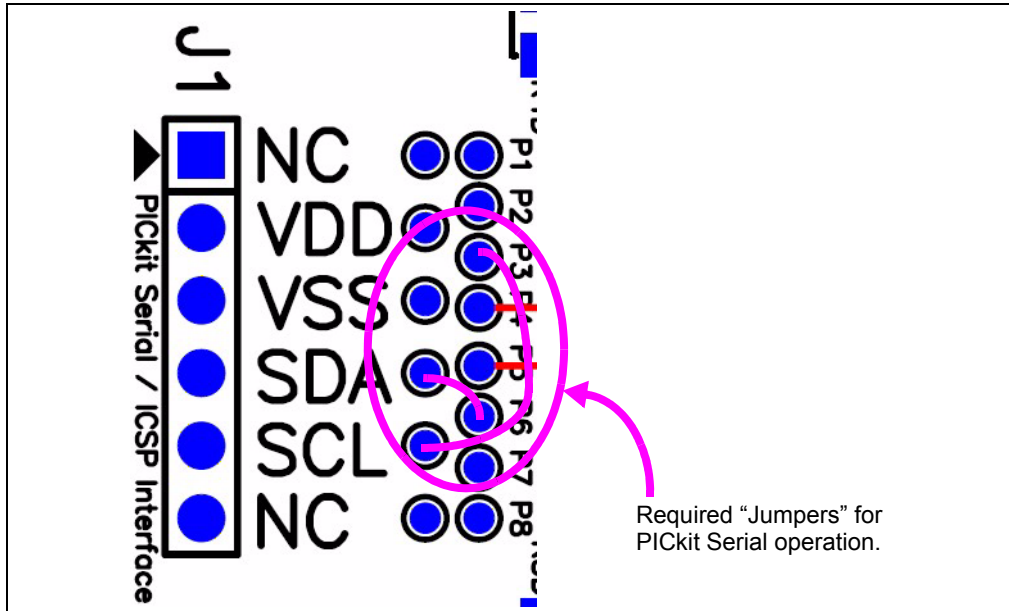


FIGURE 2-6: PICkit Serial / ICSP Header and Example Connections (for MCP4018 - I²C interface).

2.4.7 Evaluating the MCP41X2 Device (A Digital Potentiometer with SPI interface)

The MCP41X2 is a Digital Potentiometer that is in a 8-lead DIP package with an SPI serial interface. This allows the device to be communicated to (Read and Write) by the PICkit Serial Analyzer. For this to occur, the PICkit Serial Analyzer signals must be connected to the correct MCP41X2 signals. These connections are shown in Figure 2-7.

Other Digital Potentiometers that are supported by this evaluation board are shown in Table 2-4.

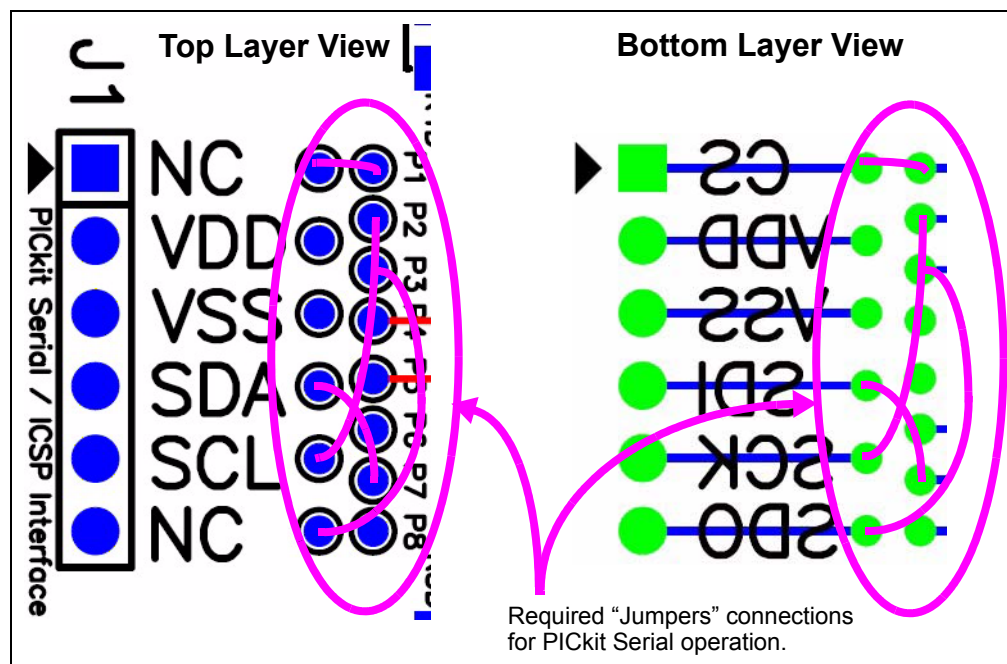


FIGURE 2-7: PICkit Serial / ICSP Header and Example Connections (for MCP41X2 - SPI Interface).

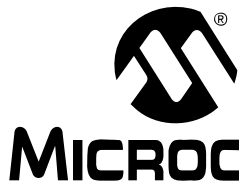
2.4.8 The PCB as a SC70, SOT-23 to DIP Socket Converter

There may be occasions when it is desirable to convert the footprint of the device to that of a DIP package. This allows the device to be installed into an existing DIP socket. Two 1x4 row pins need to be installed into the PCB's DIP footprint (on the bottom) when the device is installed into the appropriate package footprint.

This allows the PCB to convert the SC70 and SOT-23 footprints to a 300-mil DIP-8 footprint.

TABLE 2-4: SUPPORTED DIGITAL POTENTIOMETERS

Device	SC70	SOT-23	DIP	Comment
MCP4012	—	Yes	—	SOT-23-6, uses Up/Down interface
MCP4013	—	Yes	—	SOT-23-6, uses Up/Down interface
MCP4014	—	Yes	—	SOT-23-5, uses Up/Down interface
MCP4017	Yes	—	—	
MCP40D17	Yes	—	—	
MCP4018	Yes	—	—	
MCP40D18	Yes	—	—	
MCP4019	Yes	—	—	
MCP40D19	Yes	—	—	
MCP4022	—	Yes	—	SOT-23-6, uses Up/Down interface
MCP4023	—	Yes	—	SOT-23-6, uses Up/Down interface
MCP4024	—	Yes	—	SOT-23-5, uses Up/Down interface
MCP4131	—	—	Yes	Has multiplexed SDI/SDO
MCP4132	—	—	Yes	
MCP4141	—	—	Yes	Has multiplexed SDI/SDO
MCP4142	—	—	Yes	
MCP4151	—	—	Yes	Has multiplexed SDI/SDO
MCP4152	—	—	Yes	
MCP4161	—	—	Yes	Has multiplexed SDI/SDO
MCP4162	—	—	Yes	
MCP41010	—	—	Yes	
MCP41050	—	—	Yes	
MCP41100	—	—	Yes	



SC70-6 AND SOT-23-6/8 TO DIP-8 EVALUATION BOARD USER'S GUIDE

Appendix A. Schematic and Layouts

A.1 INTRODUCTION

This appendix contains the schematics and layouts for the SC70-6 and SOT-23-6/8 to DIP-8 Evaluation Board. Diagrams included in this appendix:

- Board - Schematic
- Board - Top Trace, Silk and Pads
- Board - Bottom Trace & Pads
- Board - Layer 2 Ground Plane
- Board - Layer 3 Power Plane
- Board - Bottom Silk, Trace and Pads

A.2 SCHEMATICS AND PCB LAYOUT

Board - Schematic shows the schematic of the SC70-6 and SOT-23-6/8 to DIP-8 Evaluation Board. The layer order is shown in Figure A-1.

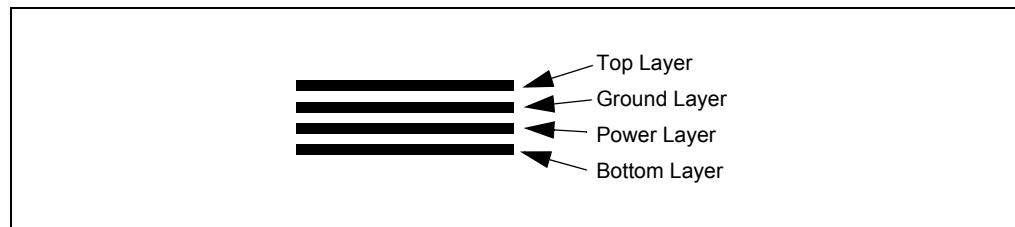
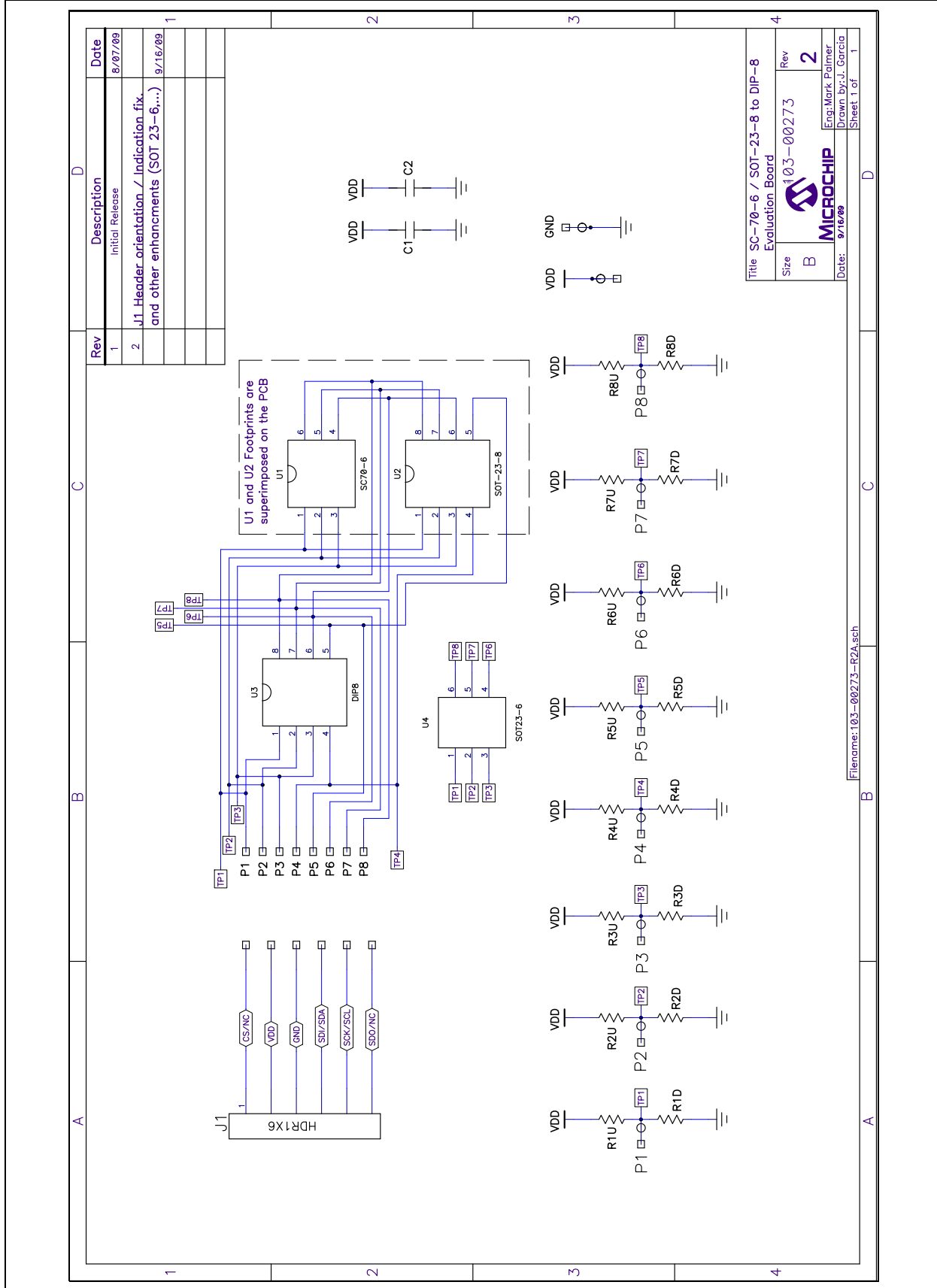


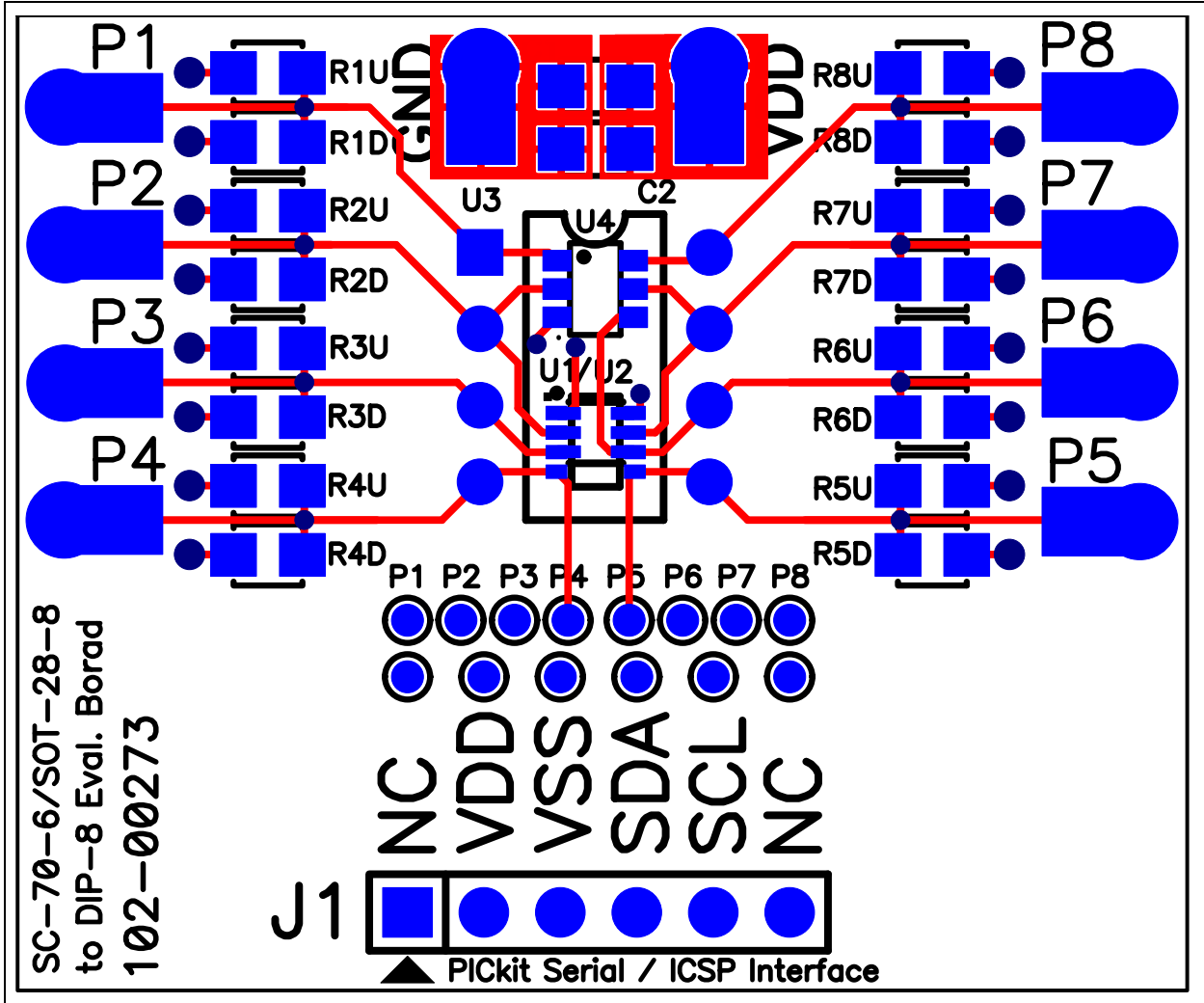
FIGURE A-1: Layer Order.

SC70-6 and SOT-23-6/8 to DIP-8 Evaluation Board User's Guide

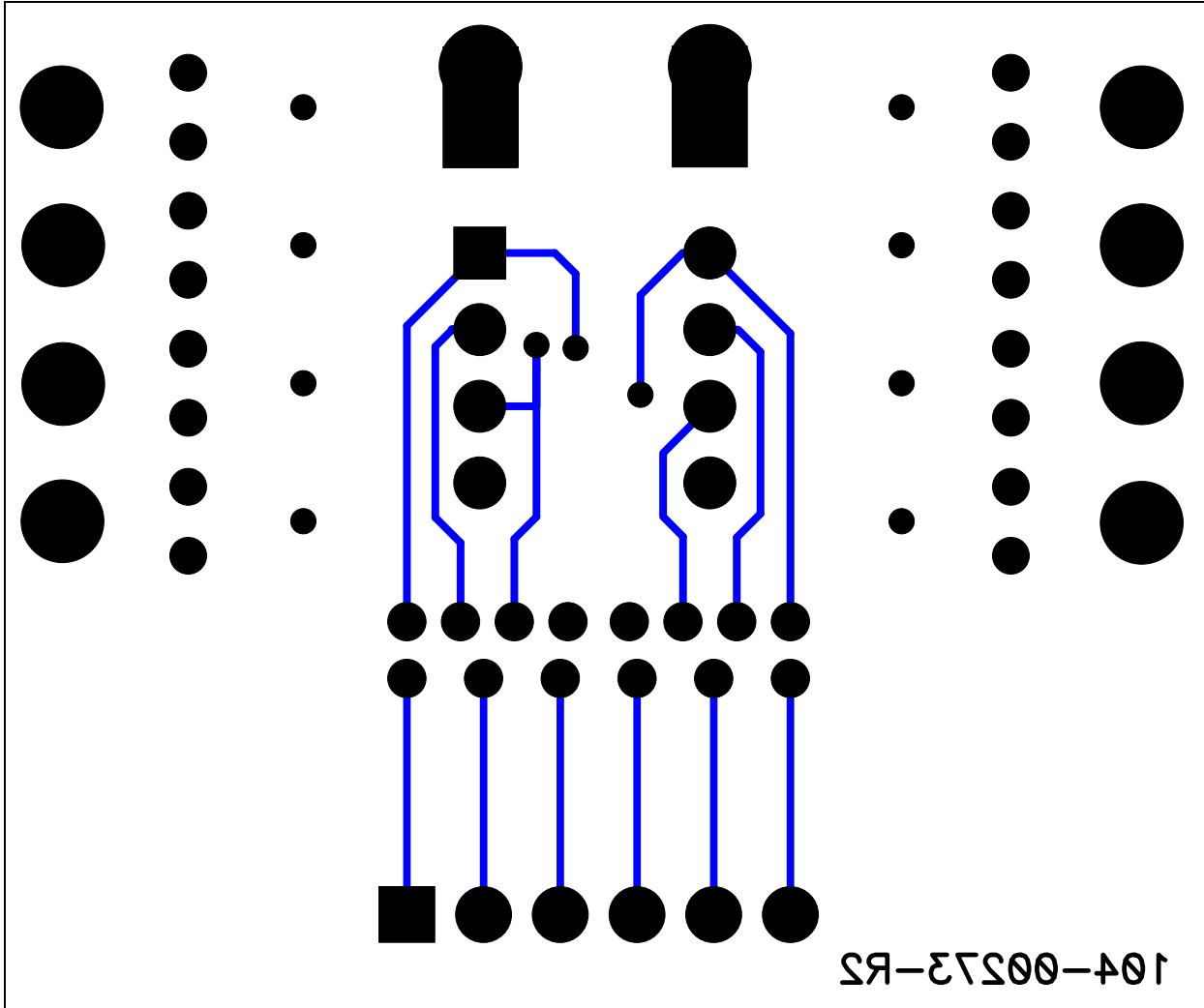
A.2.1 Board - Schematic



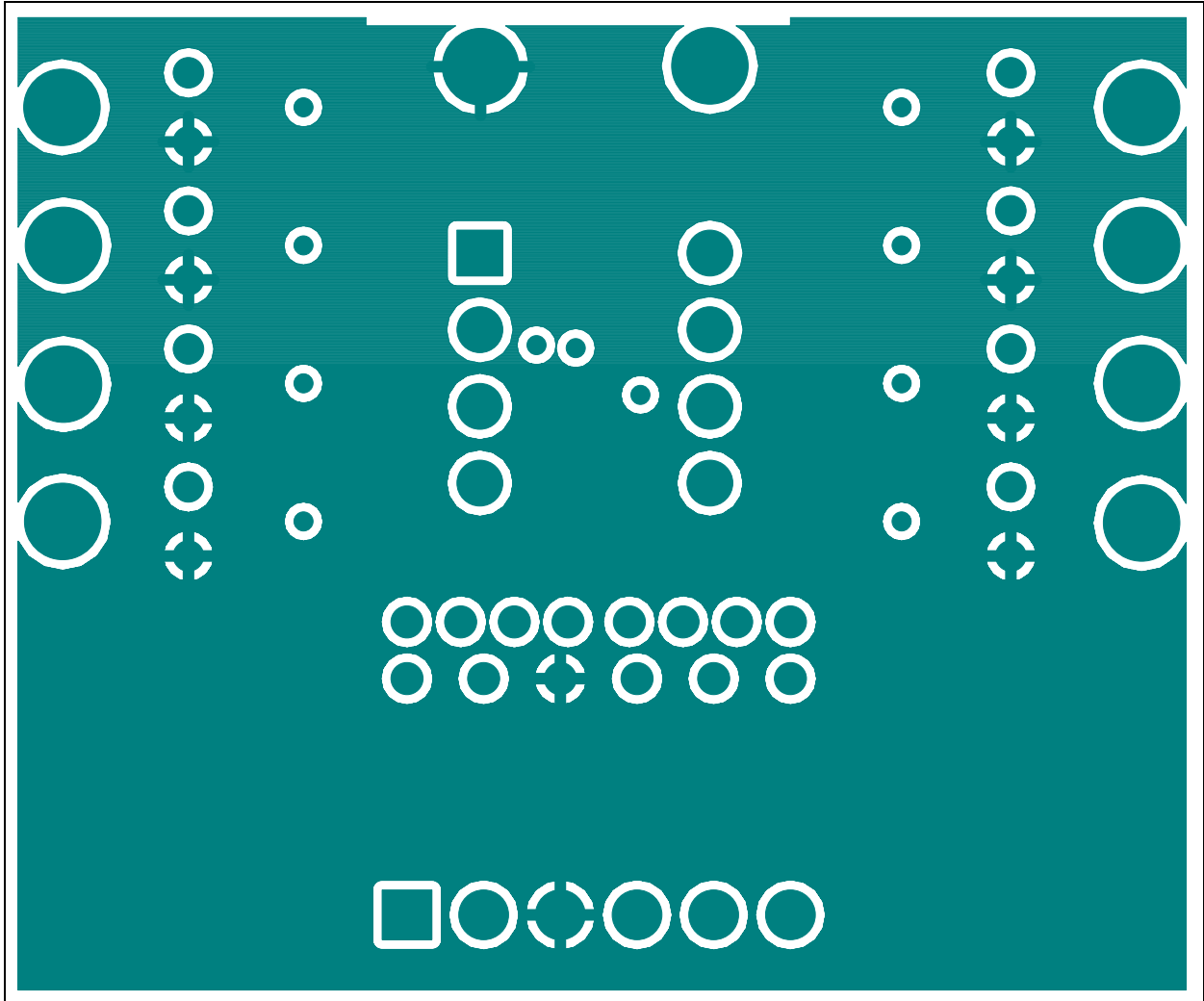
A.2.2 Board - Top Trace, Silk and Pads



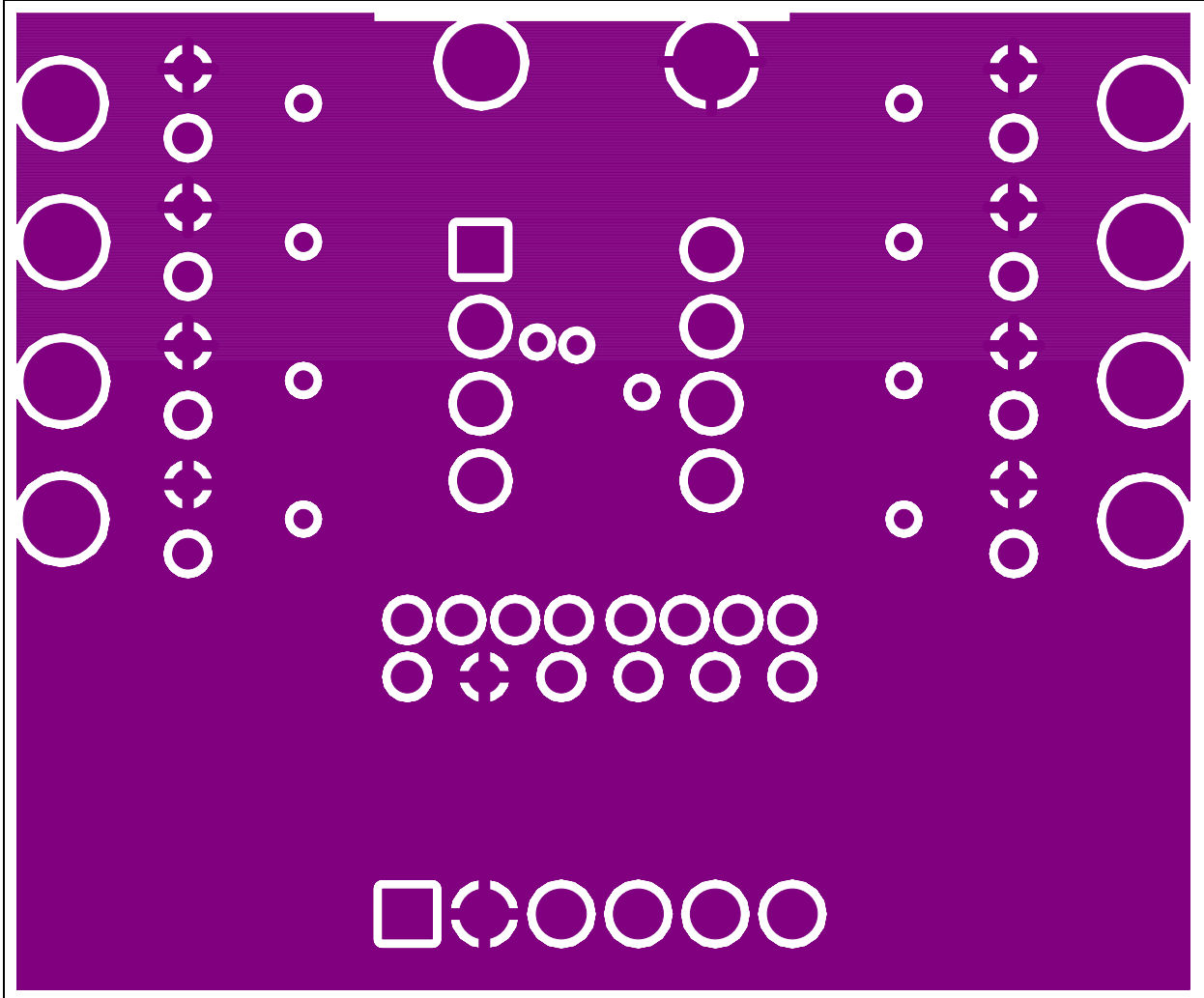
A.2.3 Board - Bottom Trace & Pads



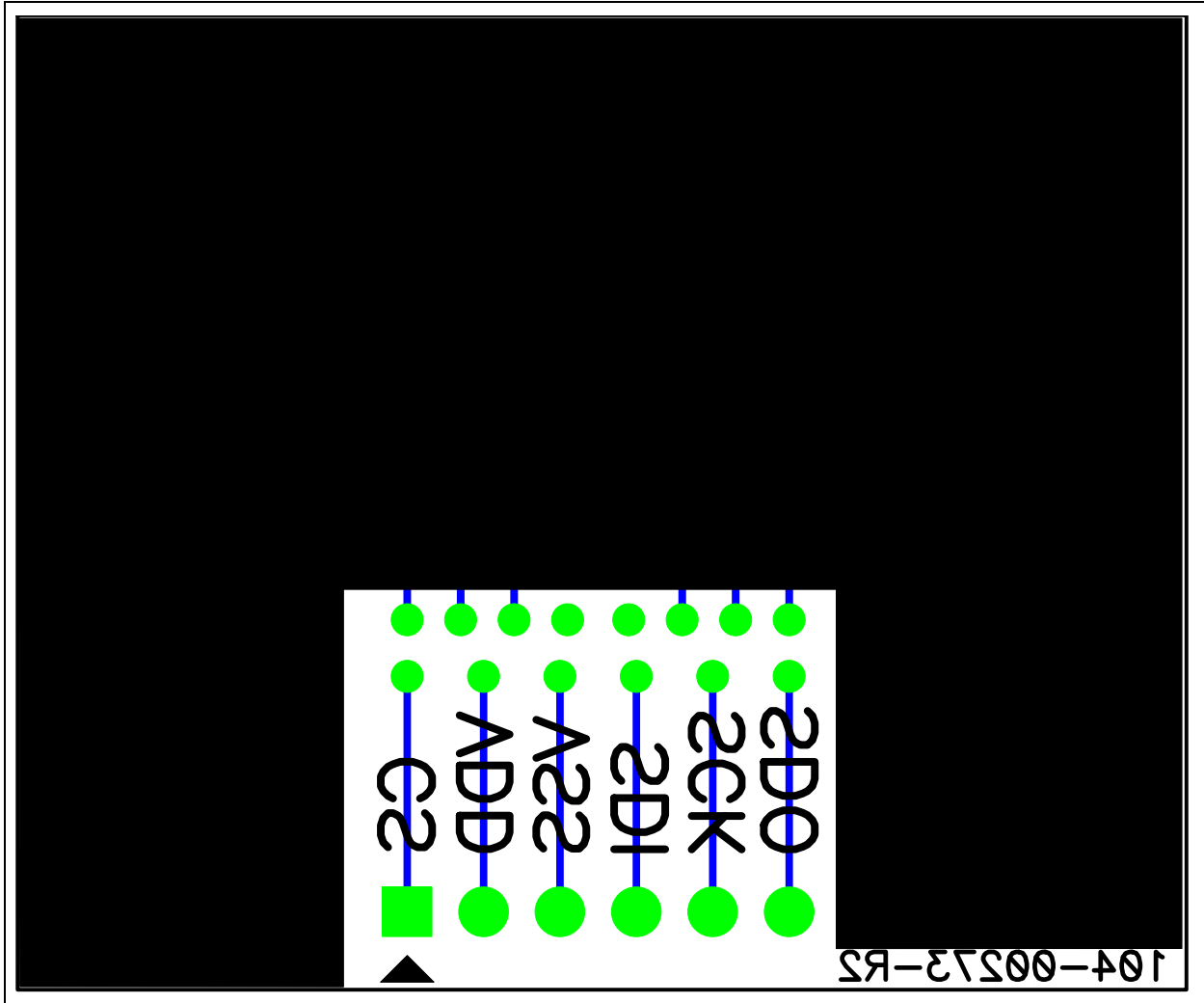
A.2.4 Board - Layer 2 Ground Plane



A.2.5 Board - Layer 3 Power Plane

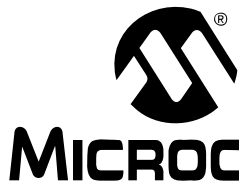


A.2.6 Board - Bottom Silk, Trace and Pads



SC70-6 and SOT-23-6/8 to DIP-8 Evaluation Board User's Guide

NOTES:



SC70-6 AND SOT-23-6/8 TO DIP-8 EVALUATION BOARD USER'S GUIDE

Appendix B. Bill of Materials (BOM)

TABLE B-1: BILL OF MATERIALS

Qty	Reference	Description	Manufacturer	Part Number
1	PCB	RoHS Compliant Bare PCB, SC70-6 and-SOT-23-6/8 to DIP-8 Evaluation Board	Microchip Technology Inc.	104-00273
0	C1, C2	Device Power Supply interring Capacitor Surface-mount (805 package) (Optional - Application-dependent)	—	User-specified
0	J1	PICKit Serial or BFMP Header (6-pin, 100 mil spacing)	—	—
0	P1, P2, P3, P4, P5, P6, P7, P8, V _{DD} , V _{SS}	Through-hole connector(s) for P1, P2, P3, P4, P5, P6, P7, P8, V _{DD} , V _{SS}	Keystone Electronics®	5012
0	P1, P2, P3, P4, P5, P6, P7, P8, V _{DD} , V _{SS}	Surface-mount connector(s) for P1, P2, P3, P4, P5, P6, P7, P8, V _{DD} , V _{SS}	Keystone Electronics®	5016
0	R1U, R2U, R3U, R4U, R5U, R6U, R7U, R8U	Pin Pull-up resistor Surface-mount (805 package) (Optional - Application-dependent)	—	User-specified
0	R3A, R3B, R3C, R3D, R3E, R3F, R3G, R3H	Pin Pull-down resistor ⁽¹⁾ Surface-mount (805 package) (Optional - Application-dependent)	—	User-specified
0	U1	SC70-6 Device (supports SC70-5 and SC70-3 devices)	—	User-specified
0	U2	SOT23-8 Device	—	User-specified
0	U3	DIP-8 Device	—	User-specified
0	U4	SOT23-6 Device (Supports SOT23-5 and SOT23-3 devices)	—	User-specified

Note 1: These footprints could be used for pin signal filtering by using a capacitor.

2: The components listed in this Bill of Materials are representative of the PCB assembly. The released BOM used in manufacturing uses all RoHS-compliant components

SC70-6 and SOT-23-6/8 to DIP-8 Evaluation Board User's Guide

NOTES:



SC70-6 AND SOT-23-6/8 TO DIP-8 EVALUATION BOARD USER'S GUIDE

Appendix C. Board Revision 1 Errata

C.1 ISSUE

The Revision 1 of this PCB has an issue when the PICkit Serial / ICSP Interface Header (J1) pin 1 is incorrectly assigned to the PICkit Serials pin 6. This means that the orientation marker on the PCB are incorrect for the PICkit Serial Analyzer.

C.2 SOLUTION

Orientate the PICkit Serial Analyzer pin 1 to the PCB pin 6. Revision 2 of the Schematic and PCB addresses this issue.

C.3 HOW TO DETERMINE PCB REVISION

Look at the bottom layer of the board (see Figure C.4.5), in the bottom right corner. You will see some text, 104-00273-R1. The R1 indicates that the PCB is Revision 1.

C.4 SCHEMATICS AND PCB LAYOUT OF REVISION 1

Board - Schematic - Revision 1 shows the schematic of the SC70-6 and SOT-23-6/8 to DIP-8 Evaluation Board.

Board - Revision 1 - Top Layer and Silk shows the layout for the top layer of the SC70-6 and SOT-23-6/8 to DIP-8 Evaluation Board. The layer order is shown in Figure C-1.

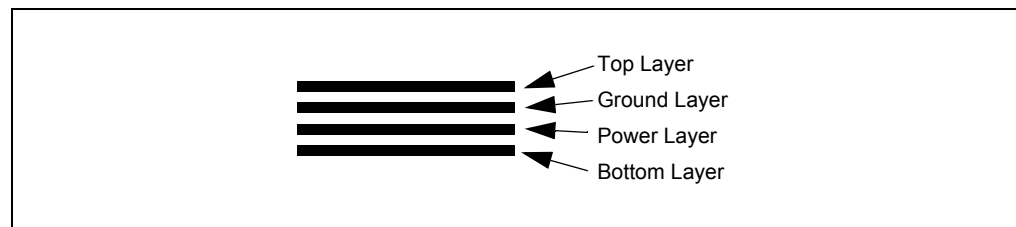
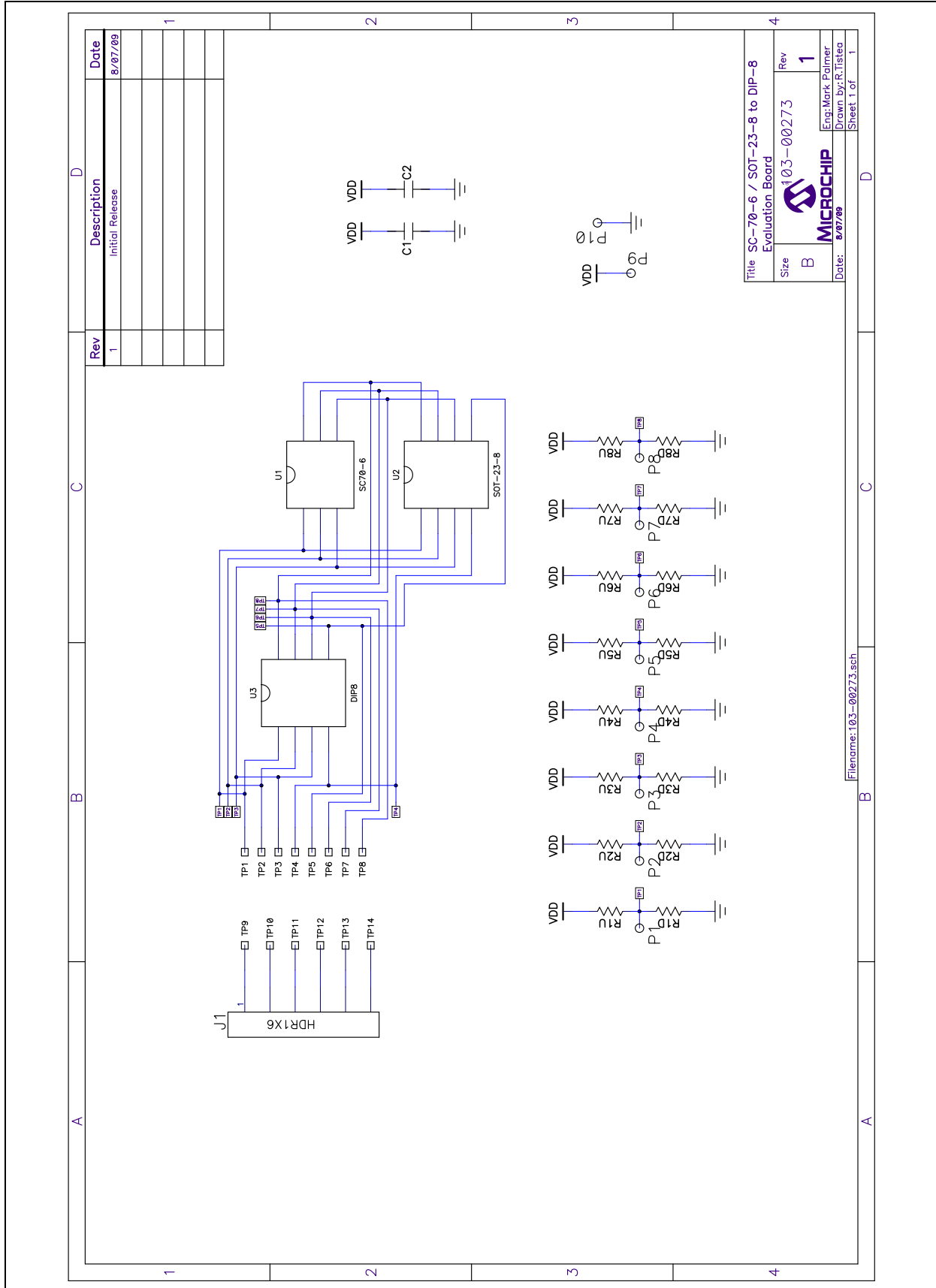


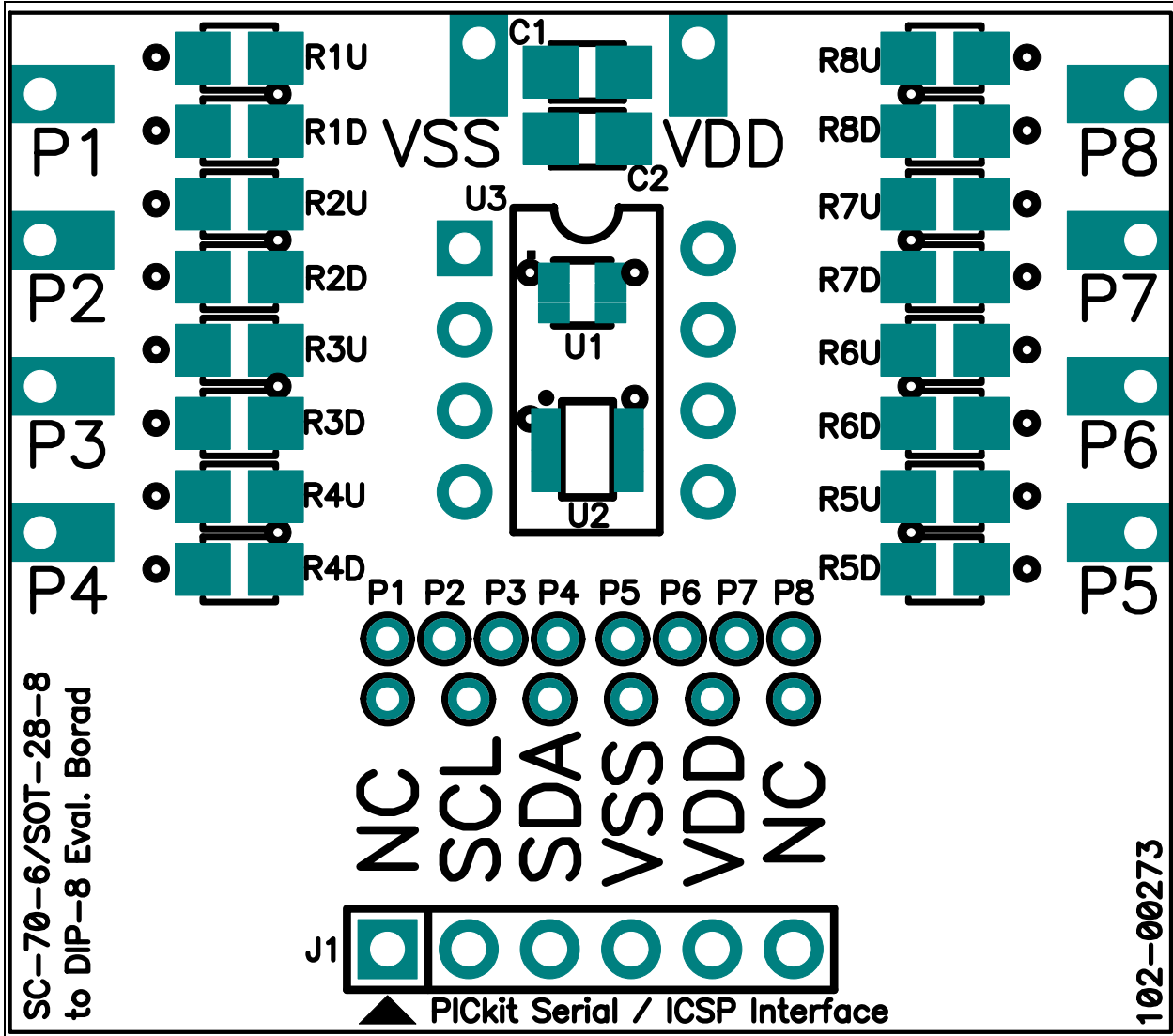
FIGURE C-1: Layer Order.

SC70-6 and SOT-23-6/8 to DIP-8 Evaluation Board User's Guide

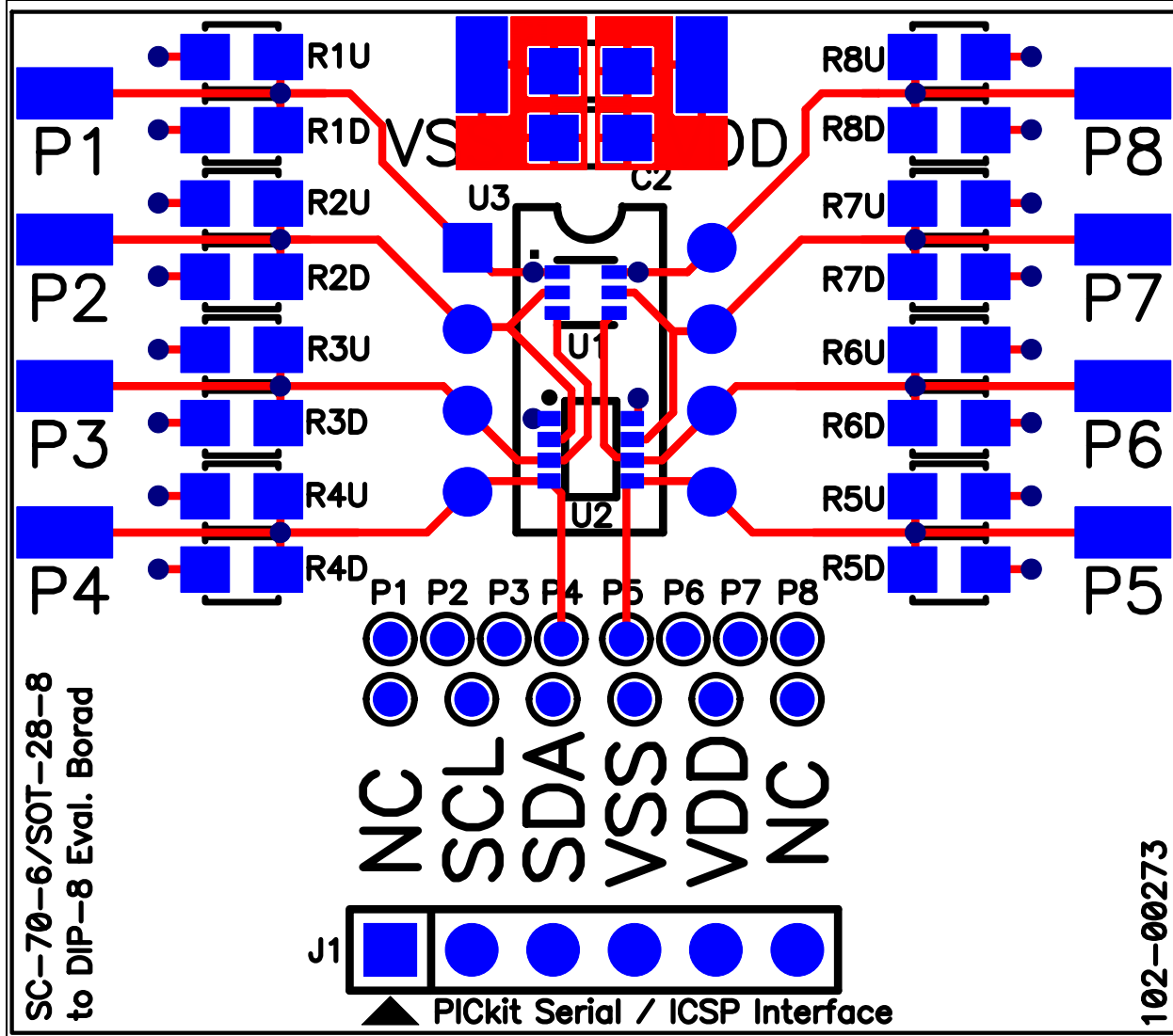
C.4.1 Board - Schematic - Revision 1



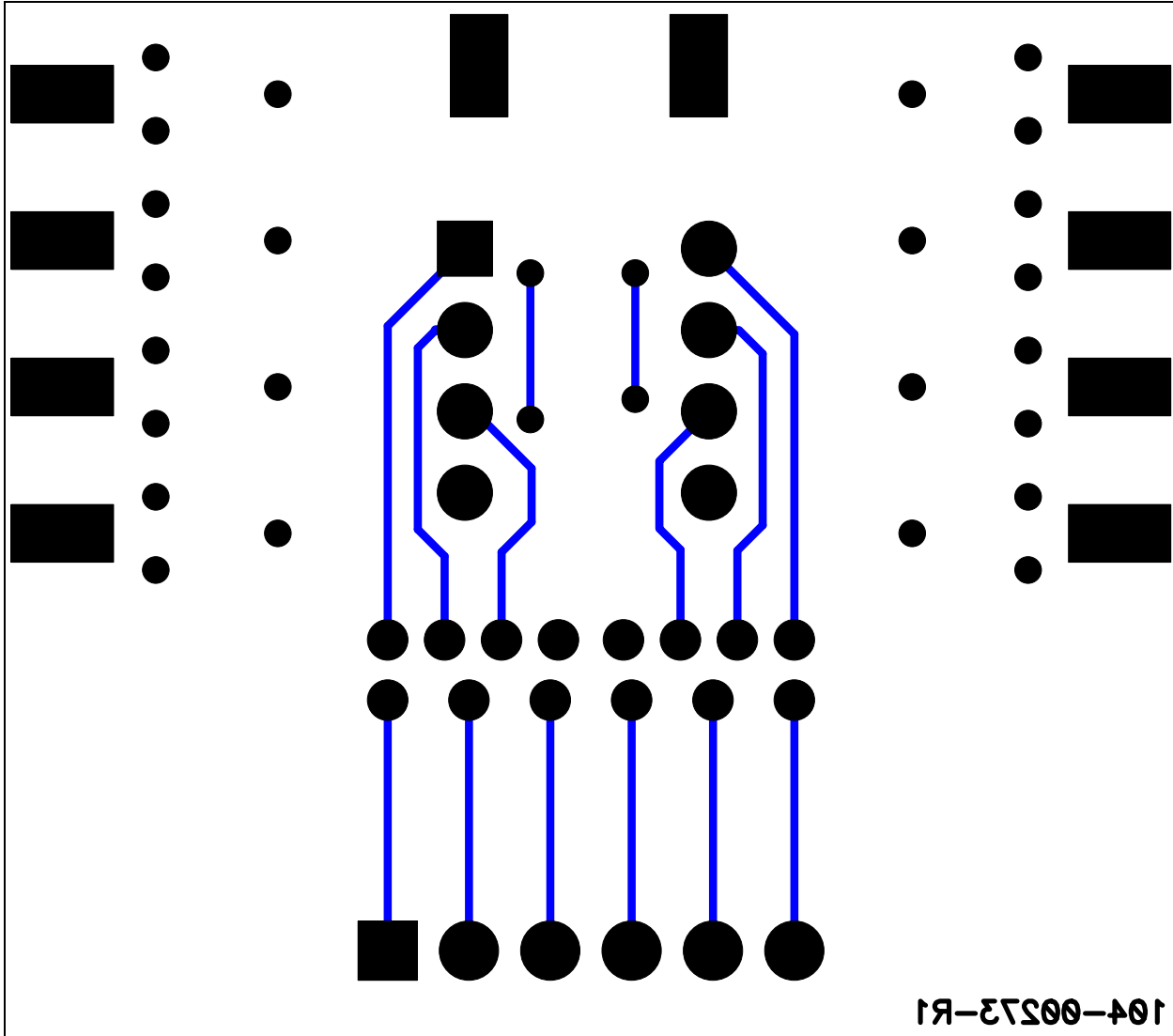
C.4.2 Board - Revision 1 - Layout Components and Silk



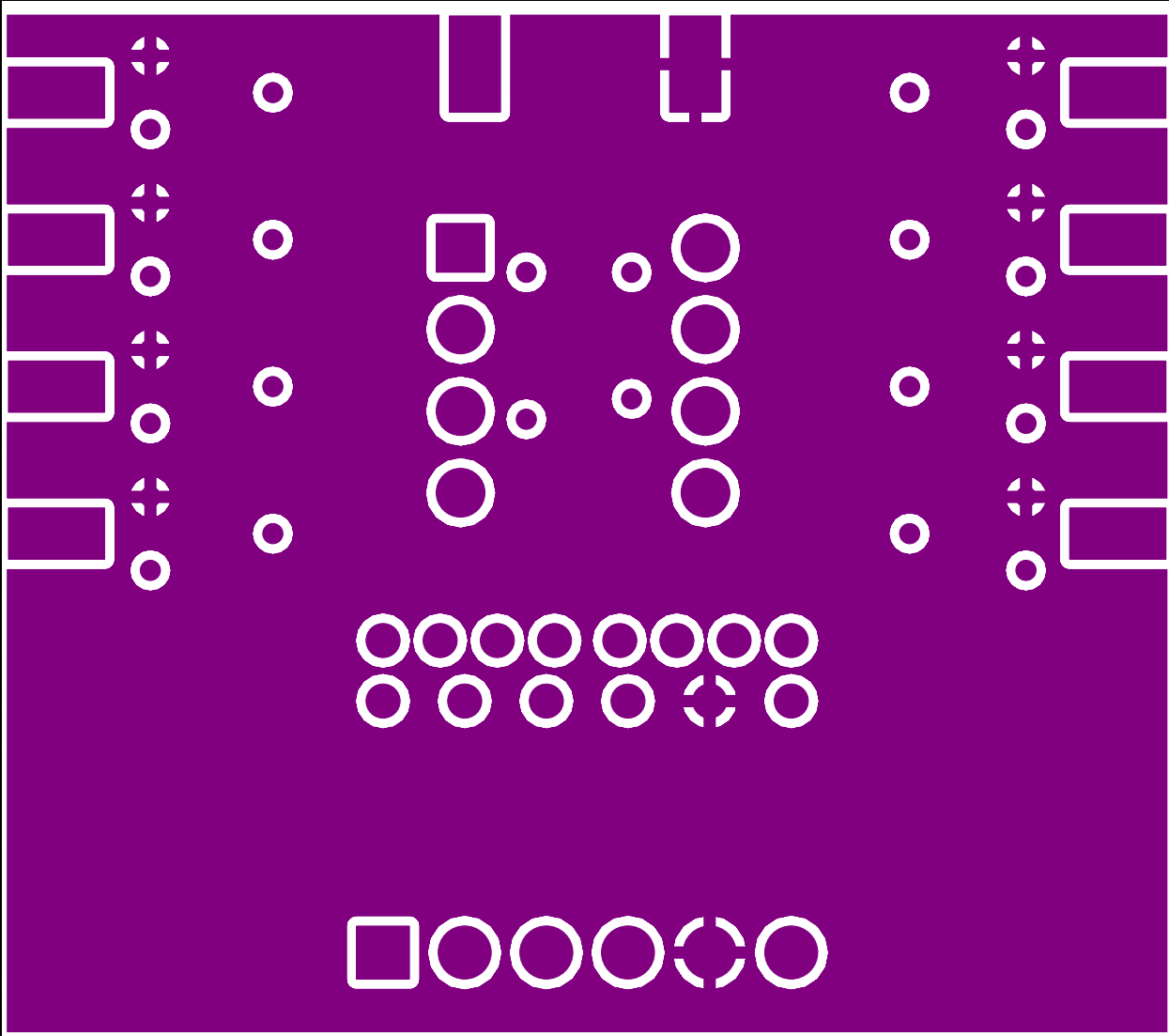
C.4.3 Board - Revision 1 - Top Layer and Silk



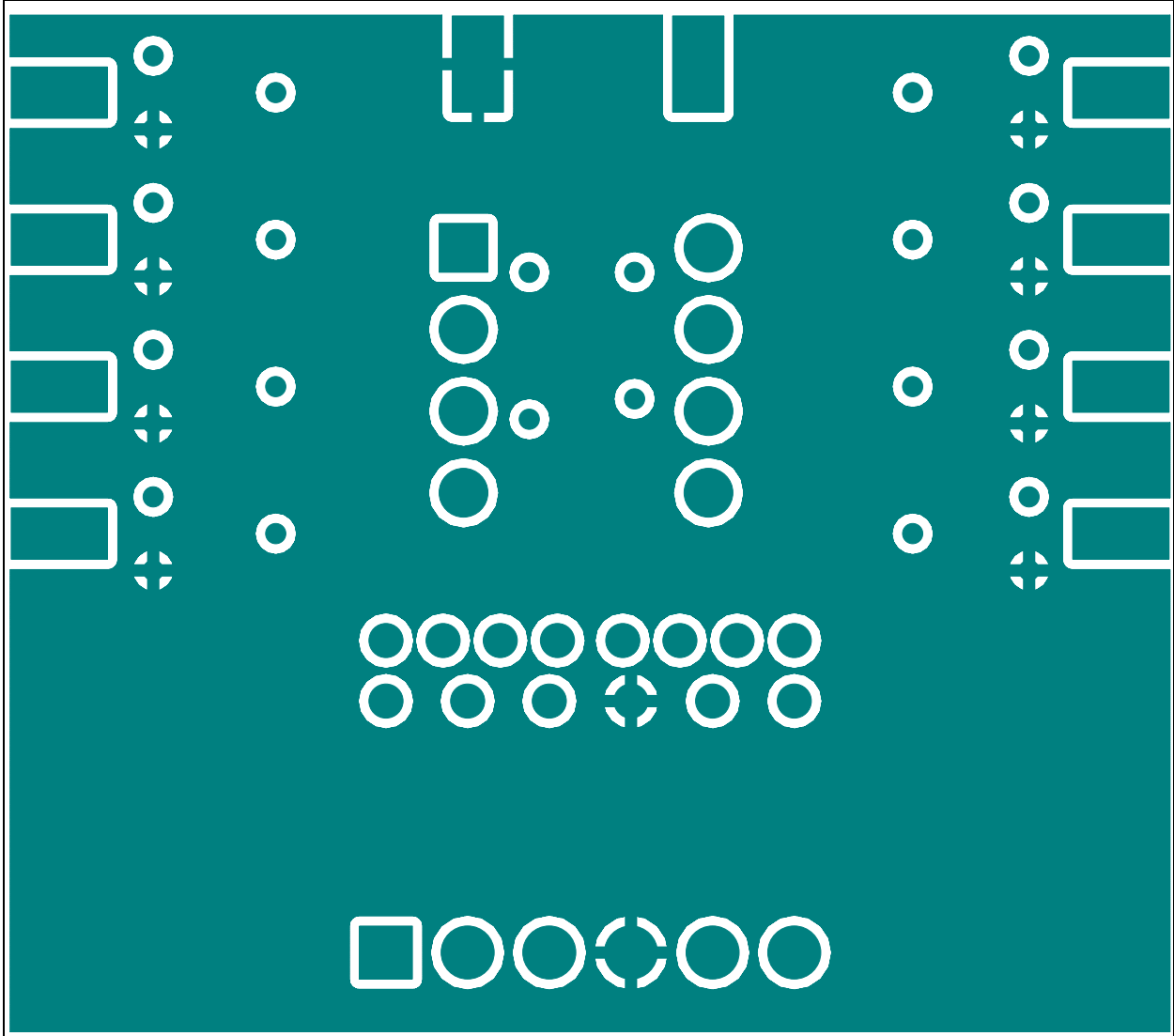
C.4.4 Board - Revision 1 - Bottom Layer



C.4.5 Board - Revision 1 - Power Plane



C.4.6 Board - Revision 1 - Ground Plane



C.4.7 Board - Revision 1 - Bottom



NOTES:



WORLDWIDE SALES AND SERVICE

AMERICAS

Corporate Office

2355 West Chandler Blvd.
Chandler, AZ 85224-6199
Tel: 480-792-7200
Fax: 480-792-7277
Technical Support:
<http://support.microchip.com>
Web Address:
www.microchip.com

Atlanta

Duluth, GA
Tel: 678-957-9614
Fax: 678-957-1455

Boston

Westborough, MA
Tel: 774-760-0087
Fax: 774-760-0088

Chicago

Itasca, IL
Tel: 630-285-0071
Fax: 630-285-0075

Cleveland

Independence, OH
Tel: 216-447-0464
Fax: 216-447-0643

Dallas

Addison, TX
Tel: 972-818-7423
Fax: 972-818-2924

Detroit

Farmington Hills, MI
Tel: 248-538-2250
Fax: 248-538-2260

Kokomo

Kokomo, IN
Tel: 765-864-8360
Fax: 765-864-8387

Los Angeles

Mission Viejo, CA
Tel: 949-462-9523
Fax: 949-462-9608

Santa Clara

Santa Clara, CA
Tel: 408-961-6444
Fax: 408-961-6445

Toronto

Mississauga, Ontario,
Canada
Tel: 905-673-0699
Fax: 905-673-6509

ASIA/PACIFIC

Asia Pacific Office

Suites 3707-14, 37th Floor
Tower 6, The Gateway
Harbour City, Kowloon
Hong Kong
Tel: 852-2401-1200
Fax: 852-2401-3431

Australia - Sydney

Tel: 61-2-9868-6733
Fax: 61-2-9868-6755

China - Beijing

Tel: 86-10-8528-2100
Fax: 86-10-8528-2104

China - Chengdu

Tel: 86-28-8665-5511
Fax: 86-28-8665-7889

China - Hong Kong SAR

Tel: 852-2401-1200
Fax: 852-2401-3431

China - Nanjing

Tel: 86-25-8473-2460
Fax: 86-25-8473-2470

China - Qingdao

Tel: 86-532-8502-7355
Fax: 86-532-8502-7205

China - Shanghai

Tel: 86-21-5407-5533
Fax: 86-21-5407-5066

China - Shenyang

Tel: 86-24-2334-2829
Fax: 86-24-2334-2393

China - Shenzhen

Tel: 86-755-8203-2660
Fax: 86-755-8203-1760

China - Wuhan

Tel: 86-27-5980-5300
Fax: 86-27-5980-5118

China - Xiamen

Tel: 86-592-2388138
Fax: 86-592-2388130

China - Xian

Tel: 86-29-8833-7252
Fax: 86-29-8833-7256

China - Zhuhai

Tel: 86-756-3210040
Fax: 86-756-3210049

ASIA/PACIFIC

India - Bangalore

Tel: 91-80-3090-4444
Fax: 91-80-3090-4080

India - New Delhi

Tel: 91-11-4160-8631
Fax: 91-11-4160-8632

India - Pune

Tel: 91-20-2566-1512
Fax: 91-20-2566-1513

Japan - Yokohama

Tel: 81-45-471- 6166
Fax: 81-45-471-6122

Korea - Daegu

Tel: 82-53-744-4301
Fax: 82-53-744-4302

Korea - Seoul

Tel: 82-2-554-7200
Fax: 82-2-558-5932 or
82-2-558-5934

Malaysia - Kuala Lumpur

Tel: 60-3-6201-9857
Fax: 60-3-6201-9859

Malaysia - Penang

Tel: 60-4-227-8870
Fax: 60-4-227-4068

Philippines - Manila

Tel: 63-2-634-9065
Fax: 63-2-634-9069

Singapore

Tel: 65-6334-8870
Fax: 65-6334-8850

Taiwan - Hsin Chu

Tel: 886-3-6578-300
Fax: 886-3-6578-370

Taiwan - Kaohsiung

Tel: 886-7-536-4818
Fax: 886-7-536-4803

Taiwan - Taipei

Tel: 886-2-2500-6610
Fax: 886-2-2508-0102

Thailand - Bangkok

Tel: 66-2-694-1351
Fax: 66-2-694-1350

EUROPE

Austria - Wels

Tel: 43-7242-2244-39
Fax: 43-7242-2244-393

Denmark - Copenhagen

Tel: 45-4450-2828
Fax: 45-4485-2829

France - Paris

Tel: 33-1-69-53-63-20
Fax: 33-1-69-30-90-79

Germany - Munich

Tel: 49-89-627-144-0
Fax: 49-89-627-144-44

Italy - Milan

Tel: 39-0331-742611
Fax: 39-0331-466781

Netherlands - Drunen

Tel: 31-416-690399
Fax: 31-416-690340

Spain - Madrid

Tel: 34-91-708-08-90
Fax: 34-91-708-08-91

UK - Wokingham

Tel: 44-118-921-5869
Fax: 44-118-921-5820

03/26/09

X-ON Electronics

Largest Supplier of Electrical and Electronic Components

Click to view similar products for [Development Boards & Kits - PIC/DSPIC category](#):

Click to view products by [Microchip manufacturer](#):

Other Similar products are found below :

[S-191](#) [TDGL025](#) [LSD4NBT-B208000001](#) [DV330021](#) [DM160230](#) [DM164141](#) [DM164142](#) [DM164143](#) [DM320010](#) [DM320105](#) [DM320106](#)
[DM330028](#) [DV161001](#) [DM320008](#) [DM320008-C](#) [DM320010-C](#) [DM330026](#) [MIKROE-2653](#) [MIKROE-2644](#) [MIKROE-2657](#) [MIKROE-](#)
[2647](#) [MIKROE-2654](#) [MIKROE-2648](#) [MIKROE-2788](#) [MIKROE-1907](#) [410-336](#) [SC70EV](#) [ECC577448EU](#) [ESP32-Audio-Kit](#) [AC103011](#)
[AC243026](#) [AC323027](#) [ADM00333](#) [ARD00906](#) [DM160228](#) [DM163025-1](#) [DM163030](#) [DM164127-2](#) [DM164130-3](#) [DM164136](#) [DM164137](#)
[DM164140](#) [DM180021](#) [DM182026](#) [DM183021](#) [DM240001](#) [DM240001-2](#) [DM240001-3](#) [DM240004](#) [DM240011](#)