

8 Mbit LPC Flash

SST49LF080A



Data Sheet

FEATURES:

- **LPC Interface Flash**
 - SST49LF080A: 1024K x8 (8 Mbit)
- **Conforms to Intel LPC Interface Specification 1.0**
- **Flexible Erase Capability**
 - Uniform 4 KByte Sectors
 - Uniform 64 KByte overlay blocks
 - 64 KByte Top Boot Block protection
 - Chip-Erase for PP Mode Only
- **Single 3.0-3.6V Read and Write Operations**
- **Superior Reliability**
 - Endurance: 100,000 Cycles (typical)
 - Greater than 100 years Data Retention
- **Low Power Consumption**
 - Active Read Current: 6 mA (typical)
 - Standby Current: 10 μ A (typical)
- **Fast Sector-Erase/Byte-Program Operation**
 - Sector-Erase Time: 18 ms (typical)
 - Block-Erase Time: 18 ms (typical)
 - Chip-Erase Time: 70 ms (typical)
 - Byte-Program Time: 14 μ s (typical)
 - Chip Rewrite Time: 16 seconds (typical)
 - Single-pulse Program or Erase
 - Internal timing generation
- **Two Operational Modes**
 - Low Pin Count (LPC) Interface mode for in-system operation
 - Parallel Programming (PP) Mode for fast production programming
- **LPC Interface Mode**
 - 5-signal communication interface supporting byte Read and Write
 - 33 MHz clock frequency operation
 - WP# and TBL# pins provide hardware write protect for entire chip and/or top boot block
 - Standard SDP Command Set
 - Data# Polling and Toggle Bit for End-of-Write detection
 - 5 GPI pins for system design flexibility
 - 4 ID pins for multi-chip selection
- **Parallel Programming (PP) Mode**
 - 11-pin multiplexed address and 8-pin data I/O interface
 - Supports fast programming In-System on programmer equipment
- **CMOS and PCI I/O Compatibility**
- **Packages Available**
 - 32-lead PLCC
 - 32-lead TSOP (8mm x 14mm)
- **All non-Pb (lead-free) devices are RoHS compliant**

PRODUCT DESCRIPTION

The SST49LF080A flash memory device is designed to interface with the LPC bus for PC and Internet Appliance application in compliance with Intel Low Pin Count (LPC) Interface Specification 1.0. Two interface modes are supported: LPC mode for in-system operations and Parallel Programming (PP) mode to interface with programming equipment.

The SST49LF080A flash memory device is manufactured with SST's proprietary, high-performance SuperFlash Technology. The split-gate cell design and thick-oxide tunneling injector attain better reliability and manufacturability compared with alternate approaches. The SST49LF080A device significantly improves performance and reliability, while lowering power consumption. The SST49LF080A device writes (Program or Erase) with a single 3.0-3.6V power supply. It uses less energy during Erase and Program than alternative flash memory technologies. The total energy consumed is a function of the applied voltage, current and time of application. For any given voltage range, the SuperFlash technology uses less current to program and

has a shorter erase time; the total energy consumed during any Erase or Program operation is less than alternative flash memory technologies. The SST49LF080A product provides a maximum Byte-Program time of 20 μ sec. The entire memory can be erased and programmed byte-by-byte typically in 16 seconds when using status detection features such as Toggle Bit or Data# Polling to indicate the completion of Program operation. The SuperFlash technology provides fixed Erase and Program time, independent of the number of Erase/Program cycles that have performed. Therefore the system software or hardware does not have to be calibrated or correlated to the cumulative number of Erase cycles as is necessary with alternative flash memory technologies, whose Erase and Program time increase with accumulated Erase/Program cycles.

To meet high density, surface mount requirements, the SST49LF080A device is offered in 32-lead TSOP and 32-lead PLCC packages. See Figures 2 and 3 for pin assignments and Table 1 for pin descriptions.



TABLE OF CONTENTS

PRODUCT DESCRIPTION	1
LIST OF FIGURES	4
LIST OF TABLES.....	5
FUNCTIONAL BLOCK DIAGRAM.....	6
PIN ASSIGNMENTS	7
DEVICE MEMORY MAPS	9
DESIGN CONSIDERATIONS	10
PRODUCT IDENTIFICATION	10
MODE SELECTION.....	10
LPC MODE	10
Device Operation	10
CE#	11
LFRAME#	11
TBL#, WP#	11
INIT#, RST#	11
System Memory Mapping	11
Response To Invalid Fields.....	14
Abort Mechanism	14
Write Operation Status Detection	14
Data# Polling	14
Toggle Bit.....	14
Multiple Device Selection	15
Registers.....	15
General Purpose Inputs Register	16
JEDEC ID Registers	16
PARALLEL PROGRAMMING MODE	17
Device Operation	17
Reset.....	17
Read	17
Byte-Program Operation.....	17
Sector-Erase Operation	17
Block-Erase Operation	17
Chip-Erase Operation	17



8 Mbit LPC Flash SST49LF080A

Data Sheet

Write Operation Status Detection	18
Data# Polling (DQ ₇)	18
Toggle Bit (DQ ₆)	18
Data Protection (PP Mode)	19
Hardware Data Protection	19
Software Data Protection (SDP)	19
SOFTWARE COMMAND SEQUENCE	20
ELECTRICAL SPECIFICATIONS	27
DC Characteristics	28
AC Characteristics	31
PRODUCT ORDERING INFORMATION	47
Valid combinations for SST49LF080A	47
PACKAGING DIAGRAMS	48



LIST OF FIGURES

FIGURE 1: Functional Block Diagram	6
FIGURE 2: Pin Assignments for 32-lead PLCC	7
FIGURE 3: Pin Assignments for 32-lead TSOP (8mm x 14mm)	7
FIGURE 4: Device Memory Map	9
FIGURE 5: LPC Read Cycle Waveform	12
FIGURE 6: LPC Write Cycle Waveform	13
FIGURE 7: Program Command Sequence (LPC Mode)	21
FIGURE 8: Data# Polling Command Sequence (LPC Mode)	22
FIGURE 9: Toggle Bit Command Sequence (LPC Mode)	23
FIGURE 10: Sector-Erase Command Sequence (LPC Mode)	24
FIGURE 11: Block-Erase Command Sequence (LPC Mode)	25
FIGURE 12: Register Readout Command Sequence (LPC Mode)	26
FIGURE 13: LCLK Waveform (LPC Mode)	29
FIGURE 14: Reset Timing Diagram (LPC Mode)	30
FIGURE 15: Output Timing Parameters (LPC Mode)	32
FIGURE 16: Input Timing Parameters (LPC Mode)	32
FIGURE 17: Reset Timing Diagram (PP Mode)	34
FIGURE 18: Read Cycle Timing Diagram (PP Mode)	34
FIGURE 19: Write Cycle Timing Diagram (PP Mode)	35
FIGURE 20: Data# Polling Timing Diagram (PP Mode)	35
FIGURE 21: Toggle Bit Timing Diagram (PP Mode)	36
FIGURE 22: Byte-Program Timing Diagram (PP Mode)	36
FIGURE 23: Sector-Erase Timing Diagram (PP Mode)	37
FIGURE 24: Block-Erase Timing Diagram (PP Mode)	37
FIGURE 25: Chip-Erase Timing Diagram (PP Mode)	38
FIGURE 26: Software ID Entry and Read (PP Mode)	38
FIGURE 27: Software ID Exit (PP Mode)	39
FIGURE 28: AC Input/Output Reference Waveforms	39
FIGURE 29: A Test Load Example.	39
FIGURE 30: Read Flowchart (LPC Mode)	40
FIGURE 31: Byte-Program Flowchart (LPC Mode)	40
FIGURE 32: Erase Command Sequences Flowchart (LPC Mode)	41
FIGURE 33: Software Product ID Command Sequences Flowchart (LPC Mode)	42
FIGURE 34: Byte-Program Command Sequences Flowchart (PP Mode)	43
FIGURE 35: Wait Options Flowchart (PP Mode)	44
FIGURE 36: Software Product ID Command Sequences Flowchart (PP Mode)	45
FIGURE 37: Erase Command Sequence Flowchart (PP Mode)	46
FIGURE 38: 32-lead Plastic Lead Chip Carrier (PLCC) SST Package Code: NH	48
FIGURE 39: 32-lead Thin Small Outline Package (TSOP) 8mm x 14mm SST Package Code: WH	49



LIST OF TABLES

TABLE 1: Pin Description	8
TABLE 2: Product Identification	10
TABLE 3: Address bits definition	10
TABLE 4: Address Decoding Range	11
TABLE 5: LPC Read Cycle	12
TABLE 6: LPC Write Cycle	13
TABLE 7: Multiple Device Selection Configuration	15
TABLE 8: General Purpose Inputs Register	15
TABLE 9: Memory Map Register Addresses for SST49LF080A	16
TABLE 10: Operation Modes Selection (PP Mode)	18
TABLE 11: Software Command Sequence	20
TABLE 12: DC Operating Characteristics (All Interfaces)	28
TABLE 13: Recommended System Power-up Timings	28
TABLE 14: Pin Capacitance (V _{DD} =3.3V, T _a =25 °C, f=1 Mhz, other pins open)	28
TABLE 15: Reliability Characteristics	29
TABLE 16: Clock Timing Parameters (LPC Mode)	29
TABLE 17: Reset Timing Parameters, V _{DD} =3.0-3.6V (LPC Mode)	30
TABLE 18: Read/Write Cycle Timing Parameters, V _{DD} =3.0-3.6V (LPC Mode)	31
TABLE 19: AC Input/Output Specifications (LPC Mode)	31
TABLE 20: Interface Measurement Condition Parameters (LPC Mode)	32
TABLE 21: Read Cycle Timing Parameters, V _{DD} =3.0-3.6V (PP Mode)	33
TABLE 22: Program/Erase Cycle Timing Parameters, V _{DD} =3.0-3.6V (PP Mode)	33
TABLE 23: Reset Timing Parameters, V _{DD} =3.0-3.6V (PP Mode)	33
TABLE 24: Revision History	49



FUNCTIONAL BLOCK DIAGRAM

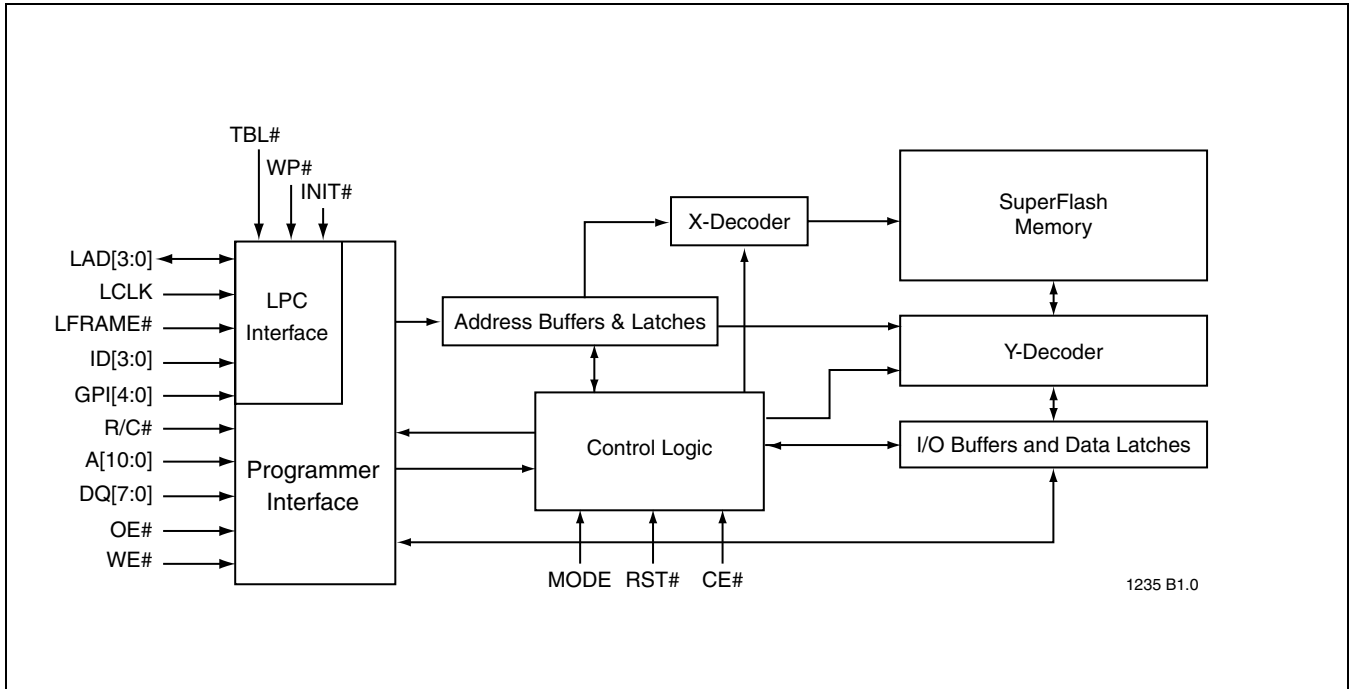


FIGURE 1: Functional Block Diagram

PIN ASSIGNMENTS

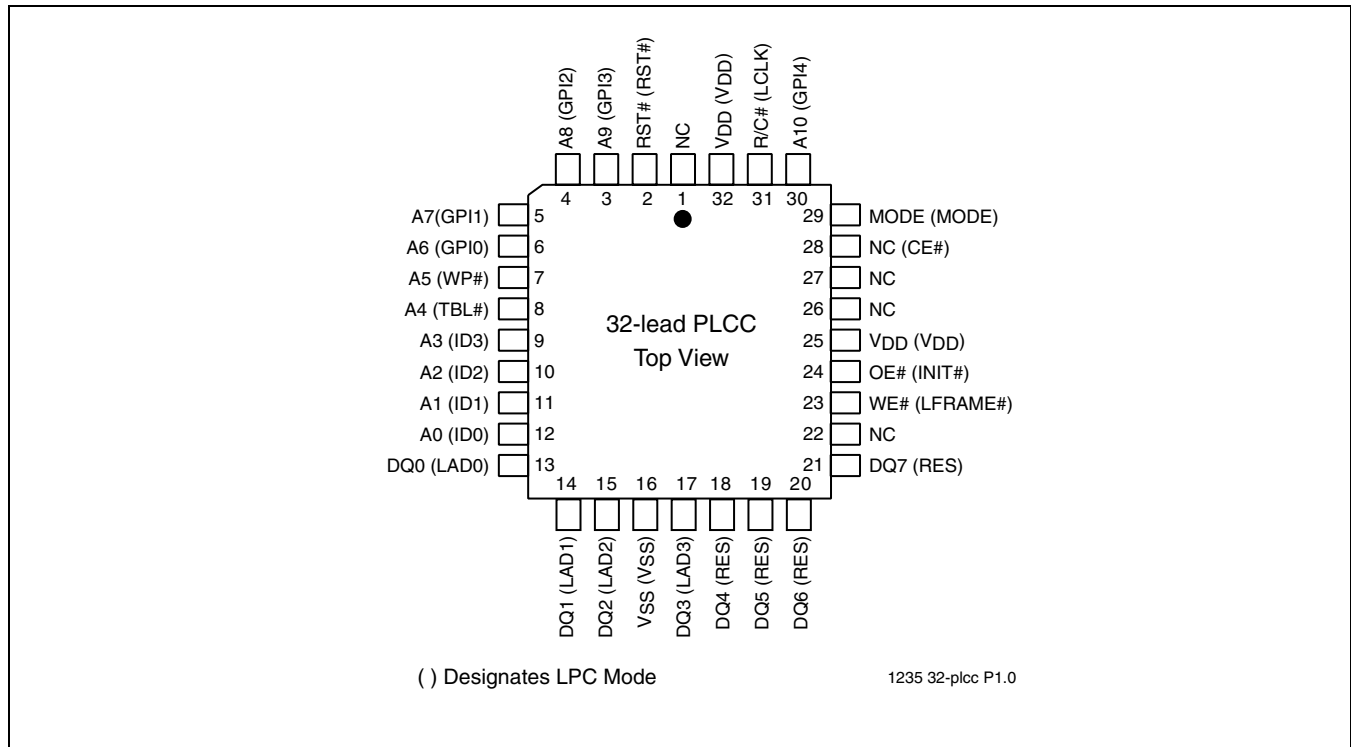


FIGURE 2: Pin Assignments for 32-lead PLCC

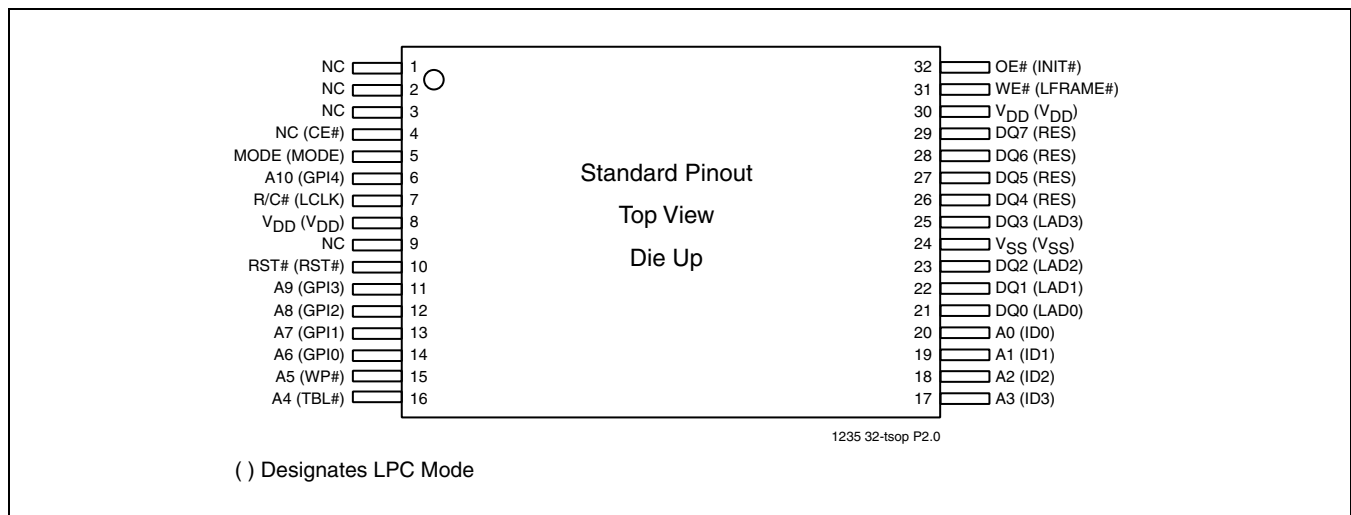


FIGURE 3: Pin Assignments for 32-lead TSOP (8mm x 14mm)



Data Sheet

TABLE 1: Pin Description

Symbol	Pin Name	Type ¹	Interface		Functions
			PP	LPC	
A ₁₀ -A ₀	Address	I	X		Inputs for low-order addresses during Read and Write operations. Addresses are internally latched during a Write cycle. For the programming interface, these addresses are latched by R/C# and share the same pins as the high-order address inputs.
DQ ₇ -DQ ₀	Data	I/O	X		To output data during Read cycles and receive input data during Write cycles. Data is internally latched during a Write cycle. The outputs are in tri-state when OE# is high.
OE#	Output Enable	I	X		To gate the data output buffers.
WE#	Write Enable	I	X		To control the Write operations.
MODE	Interface Mode Select	I	X	X	This pin determines which interface is operational. When held high, programmer mode is enabled and when held low, LPC mode is enabled. This pin must be setup at power-up or before return from reset and not change during device operation. This pin must be held high (V _{IH}) for PP mode and low (V _{IL}) for LPC mode.
INIT#	Initialize	I		X	This is the second reset pin for in-system use. This pin is internally combined with the RST# pin; If this pin or RST# pin is driven low, identical operation is exhibited.
ID[3:0]	Identification Inputs	I		X	These four pins are part of the mechanism that allows multiple parts to be attached to the same bus. The strapping of these pins is used to identify the component. The boot device must have ID[3:0]=0000 for all subsequent devices should use sequential up-count strapping. These pins are internally pulled-down with a resistor between 20-100 K Ω
GPI[4:0]	General Purpose Inputs	I		X	These individual inputs can be used for additional board flexibility. The state of these pins can be read through LPC registers. These inputs should be at their desired state before the start of the PCI clock cycle during which the read is attempted, and should remain in place until the end of the Read cycle. Unused GPI pins must not be floated.
TBL#	Top Block Lock	I		X	When low, prevents programming to the boot block sectors at top of memory. When TBL# is high it disables hardware write protection for the top block sectors. This pin cannot be left unconnected.
LAD[3:0]	Address and Data	I/O		X	To provide LPC control signals, as well as addresses and Command Inputs/Outputs data.
LCLK	Clock	I		X	To provide a clock input to the control unit
LFRAME#	Frame	I		X	To indicate start of a data transfer operation; also used to abort an LPC cycle in progress.
RST#	Reset	I	X	X	To reset the operation of the device
WP#	Write Protect	I		X	When low, prevents programming to all but the highest addressable blocks. When WP# is high it disables hardware write protection for these blocks. This pin cannot be left unconnected.
R/C#	Row/Column Select	I	X		Select for the Programming interface, this pin determines whether the address pins are pointing to the row addresses, or to the column addresses.
RES	Reserved			X	These pins must be left unconnected.
V _{DD}	Power Supply	PWR	X	X	To provide power supply (3.0-3.6V)
V _{SS}	Ground	PWR	X	X	Circuit ground (0V reference)
CE#	Chip Enable	I		X	This signal must be asserted to select the device. When CE# is low, the device is enabled. When CE# is high, the device is placed in low power standby mode.
NC	No Connection	I	X	X	Unconnected pins.

T1.0 1235

1. I=Input, O=Output

DEVICE MEMORY MAPS

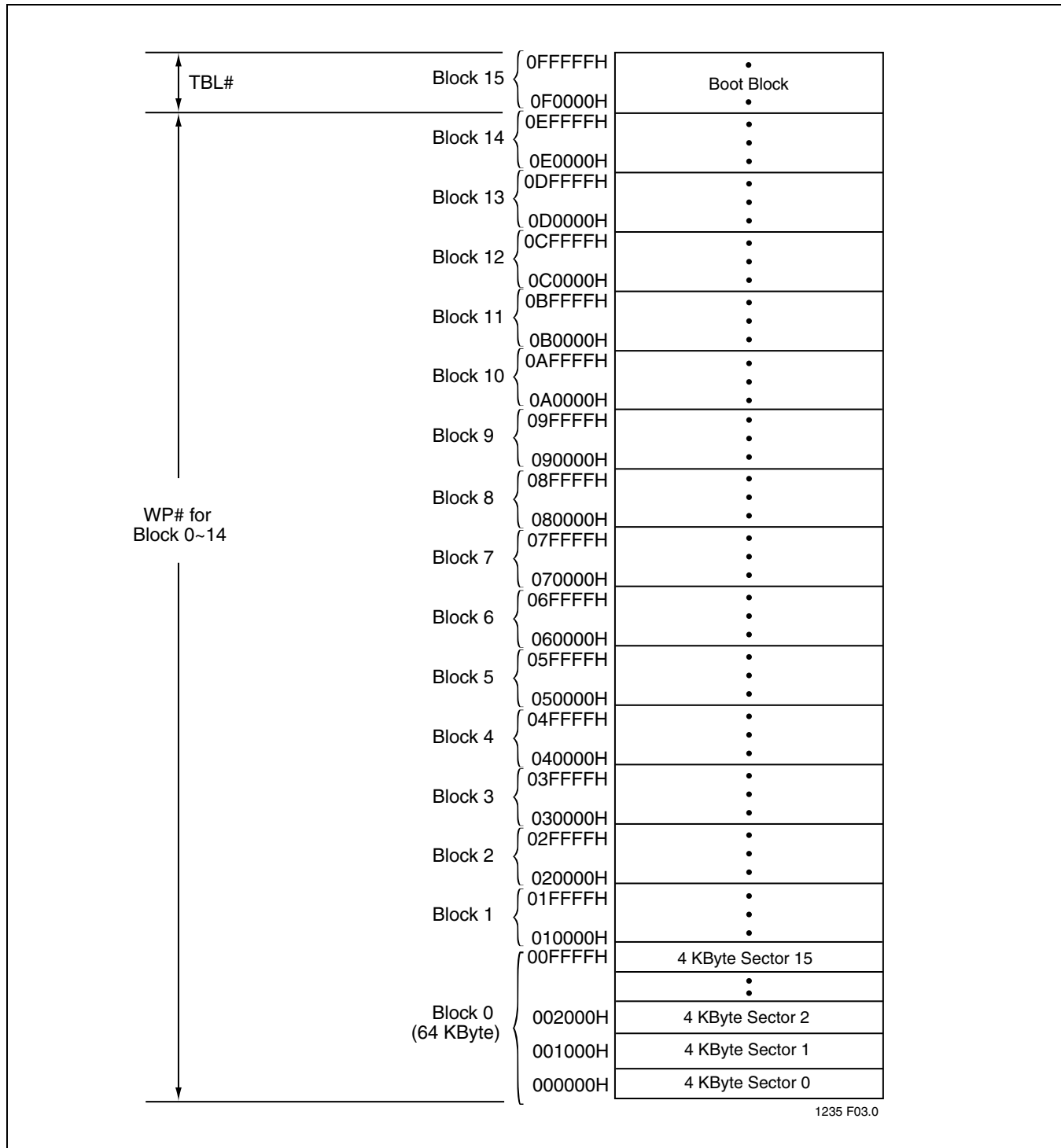


FIGURE 4: Device Memory Map



DESIGN CONSIDERATIONS

SST recommends a high frequency 0.1 μF ceramic capacitor to be placed as close as possible between V_{DD} and V_{SS} less than 1 cm away from the V_{DD} pin of the device. Additionally, a low frequency 4.7 μF electrolytic capacitor from V_{DD} to V_{SS} should be placed within 5 cm of the V_{DD} pin. If you use a socket for programming purposes add an additional 1-10 μF next to each socket.

PRODUCT IDENTIFICATION

The Product Identification mode identifies the device as the SST49LF080A and manufacturer as SST.

TABLE 2: Product Identification

	Address	Data
Manufacturer's ID	0000H	BFH
Device ID SST49LF080A	0001H	5BH

T2.0 1235

MODE SELECTION

The SST49LF080A flash memory devices can operate in two distinct interface modes: the LPC mode and the Parallel Programming (PP) mode. The mode pin is used to set the interface mode selection. If the mode pin is set to logic High, the device is in PP mode. If the mode pin is set Low, the device is in the LPC mode. The mode selection pin must be configured prior to device operation. The mode pin is internally pulled down if the pin is left unconnected. In LPC mode, the device is configured to its host using standard LPC interface protocol. Communication between Host and the SST49LF080A occurs via the 4-bit I/O communication signals, LAD [3:0] and LFRAME#. In PP mode, the device is programmed via an 11-bit address and an 8-bit data I/O parallel signals. The address inputs are multiplexed in row and column selected by control signal R/C# pin. The row addresses are mapped to the lower internal addresses (A₁₀₋₀), and the column addresses are mapped to the higher internal addresses (A_{MS-11}). See Figure 4, the Device Memory Map, for address assignments.

TABLE 3: Address bits definition

A ₃₁ : A ₂₅ ¹	A ₂₄ :A ₂₃	A ₂₂	A ₂₁ : A ₂₀	A ₁₉ :A ₀
1111 111b or 0000 000b	ID[3:2] ²	1 = Memory Access 0 = Register access	ID[1:0] ²	Device Memory address

T3.1 1235

1. The top 32MByte address range FFFF FFFFH to FE00 0000H and the bottom 128 KByte memory access address 000F FFFFH to 000E 0000H are decoded.
2. See Table 7 for multiple device selection configuration

LPC MODE

Device Operation

The LPC mode uses a 5-signal communication interface, a 4-bit address/data bus, LAD[3:0], and a control line, LFRAME#, to control operations of the SST49LF080A. Cycle type operations such as Memory Read and Memory Write are defined in Intel Low Pin Count Interface Specification, Revision 1.0. JEDEC Standard SDP (Software Data Protection) Program and Erase commands sequences are incorporated into the standard LPC memory cycles. See Figures 7 through 12 for command sequences.

LPC signals are transmitted via the 4-bit Address/Data bus (LAD[3:0]), and follow a particular sequence, depending on whether they are Read or Write operations. LPC memory Read and Write cycle is defined in Tables 5 and 6.

Both LPC Read and Write operations start in a similar way as shown in Figures 5 and 6. The host (which is the term used here to describe the device driving the memory) asserts LFRAME# for two or more clocks and drives a start value on the LAD[3:0] bus.

At the beginning of an operation, the host may hold the LFRAME# active for several clock cycles, and even change the Start value. The LAD[3:0] bus is latched every rising edge of the clock. On the cycle in which LFRAME# goes inactive, the last latched value is taken as the Start value. CE# must be asserted one cycle before the start cycle to select the SST49LF080A for Read and Write operations.

Once the SST49LF080A identifies the operation as valid (a start value of all zeros), it next expects a nibble that indicates whether this is a memory Read or Write cycle. Once this is received, the device is now ready for the Address cycles. The LPC protocol supports a 32-bit address phase. The SST49LF080A encodes ID and register space access in the address field. See Table 3 for address bits definition.

For Write operation the Data cycle will follow the Address cycle, and for Read operation TAR and SYNC cycles occur between the Address and Data cycles. At the end of every operation, the control of the bus must be returned to the host by a 2-clock TAR cycle.



8 Mbit LPC Flash SST49LF080A

Data Sheet

CE#

The CE# pin, enables and disables the SST49LF080A, controlling read and write access of the device. To enable the SST49LF080A, the CE# pin must be driven low one clock cycle prior to LFRAME# being driven low. The device will enter standby mode when internal Write operations are completed and CE# is high.

LFRAME#

The LFRAME# signifies the start of a (frame) bus cycle or the termination of an undesired cycle. Asserting LFRAME# for two or more clock cycle and driving a valid START value on LAD[3:0] will initiate device operation. The device will enter standby mode when internal operations are completed and LFRAME# is high.

TBL#, WP#

The Top Boot Lock (TBL#) and Write Protect (WP#) pins are provided for hardware write protection of device memory. The TBL# pin is used to Write-Protect 16 boot sectors (64 KByte) at the highest memory address range for the SST49LF080A. The WP# pin write protects the remaining sectors in the flash memory.

An active low signal at the TBL# pin prevents Program and Erase operations of the top boot sectors. When TBL# pin is held high, the write protection of the top boot sectors is disabled. The WP# pin serves the same function for the remaining sectors of the device memory. The TBL# and WP# pins write protection functions operate independently of one another.

Both TBL# and WP# pins must be set to their required protection states prior to starting a Program or Erase operation. A logic level change occurring at the TBL# or WP# pin during a Program or Erase operation could cause unpredictable results.

INIT#, RST#

A V_{IL} on INIT# or RST# pin initiates a device reset. INIT# and RST# pins have the same function internally. It is required to drive INIT# or RST# pins low during a system reset to ensure proper CPU initialization. During a Read operation, driving INIT# or RST# pins low deselects the device and places the output drivers, LAD[3:0], in a high-impedance state. The reset signal must be held low for a minimal duration of time T_{RSTP} . A reset latency will occur if a reset procedure is performed during a Program or Erase operation. See Table 17, Reset Timing Parameters for more information. A device reset during an active Program or Erase will abort the operation and memory contents may become invalid due to data being altered or corrupted from an incomplete Erase or Program operation.

System Memory Mapping

The LPC interface protocol has address length of 32-bit or 4 GByte. The SST49LF080A will respond to addresses in the range as specified in Table 4.

Refer to “Multiple Device Selection” section for more detail on strapping multiple SST49LF080A devices to increase memory densities in a system and “Registers” section on valid register addresses.

TABLE 4: Address Decoding Range

ID Strapping	Device Access	Address Range	Memory Size
Device #0 - 3	Memory Access	FFFF FFFFH : FFC0 0000H	4 MByte
	Register Access	FFBF FFFFH : FF80 0000H	4 MByte
Device #4 - 7	Memory Access	FF7F FFFFH : FF40 0000H	4 MByte
	Register Access	FF3F FFFFH : FF00 0000H	4 MByte
Device #8 - 11	Memory Access	FEFF FFFFH : FEC0 0000H	4 MByte
	Register Access	FEBF FFFFH : FE80 0000H	4 MByte
Device #12 - 15	Memory Access	FE7F FFFFH : FE40 0000H	4 MByte
	Register Access	FE3F FFFFH : FE00 0000H	4 MByte
Device #0 ¹	Memory Access	000F FFFFH : 000E 0000H	128 KByte

T4.0 1235

1. For device #0 (Boot Device), SST49LF080A decodes the physical addresses of the top 2 blocks (including Boot Block) both at system memory ranges FFFF FFFFH to FFFE 0000H and 000F FFFFH to 000E 0000H.



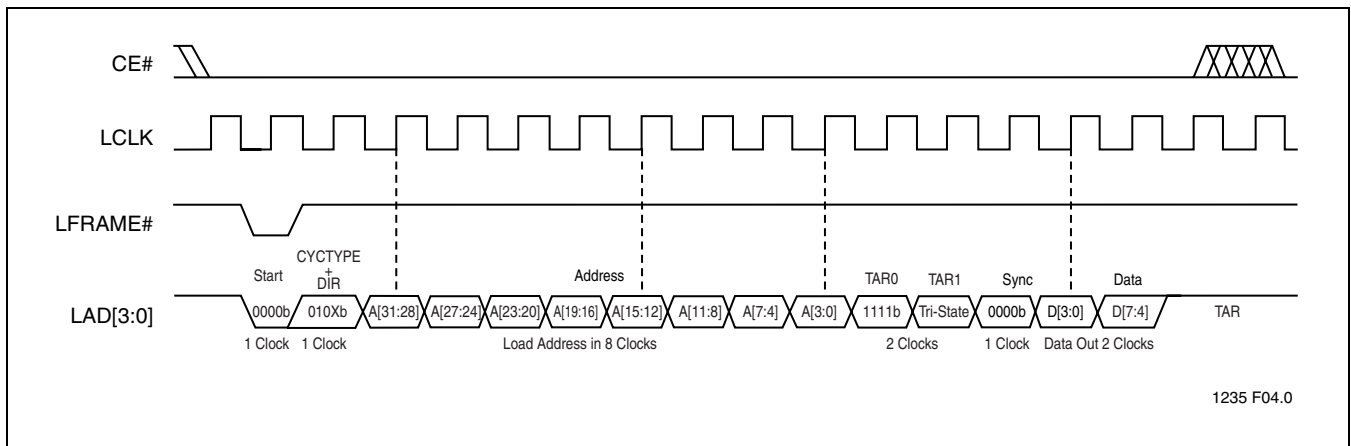
Data Sheet

TABLE 5: LPC Read Cycle

Clock Cycle	Field Name	Field Contents LAD[3:0] ¹	LAD[3:0] Direction	Comments
1	START	0000	IN	LFRAME# must be active (low) for the part to respond. Only the last start field (before LFRAME# transitions high) should be recognized.
2	CYCTYPE + DIR	010X	IN	Indicates the type of cycle. Bits 3:2 must be "01b" for memory cycle. Bit 1 indicates the type of transfer "0" for Read. Bit 0 is reserved.
3-10	ADDRESS	YYYY	IN	Address Phase for Memory Cycle. LPC protocol supports a 32-bit address phase. YYYY is one nibble of the entire address. Addresses are transferred most-significant nibble first. See Table 3 for address bits definition and Table 4 for valid memory address range.
11	TAR0	1111	IN then Float	In this clock cycle, the host has driven the bus to all 1s and then floats the bus. This is the first part of the bus "turnaround cycle."
12	TAR1	1111 (float)	Float then OUT	The SST49LF080A takes control of the bus during this cycle
13	SYNC	0000	OUT	The SST49LF080A outputs the value 0000b indicating that data will be available during the next clock cycle.
14	DATA	ZZZZ	OUT	This field is the least-significant nibble of the data byte.
15	DATA	ZZZZ	OUT	This field is the most-significant nibble of the data byte.
16	TAR0	1111	OUT then Float	In this clock cycle, the SST49LF080A has driven the bus to all 1s and then floats the bus. This is the first part of the bus "turn-around cycle."
17	TAR1	1111 (float)	Float then IN	The host takes control of the bus during this cycle

T5.0 1235

1. Field contents are valid on the rising edge of the present clock cycle.



1235 F04.0

FIGURE 5: LPC Read Cycle Waveform



TABLE 6: LPC Write Cycle

Clock Cycle	Field Name	Field Contents LAD[3:0] ¹	LAD[3:0] Direction	Comments
1	START	0000	IN	LFRAME# must be active (low) for the part to respond. Only the last start field (before LFRAME# transitions high) should be recognized.
2	CYCTYPE + DIR	011X	IN	Indicates the type of cycle. Bits 3:2 must be "01b" for memory cycle. Bit 1 indicates the type of transfer "1" for Write. Bit 0 is reserved.
3-10	ADDRESS	YYYY	IN	Address Phase for Memory Cycle. LPC protocol supports a 32-bit address phase. YYYY is one nibble of the entire address. Addresses are transferred most-significant nibble first. See Table 3 for address bits definition and Table 4 for valid memory address range.
11	DATA	ZZZZ	IN	This field is the least-significant nibble of the data byte.
12	DATA	ZZZZ	IN	This field is the most-significant nibble of the data byte.
13	TAR0	1111	IN then Float	In this clock cycle, the host has driven the bus to all '1's and then floats the bus. This is the first part of the bus "turnaround cycle."
14	TAR1	1111 (float)	Float then OUT	The SST49LF080A takes control of the bus during this cycle.
15	SYNC	0000	OUT	The SST49LF080A outputs the values 0000, indicating that it has received data or a flash command.
16	TAR0	1111	OUT then Float	In this clock cycle, the SST49LF080A has driven the bus to all '1's and then floats the bus. This is the first part of the bus "turnaround cycle."
17	TAR1	1111 (float)	Float then IN	Host resumes control of the bus during this cycle.

T6.0 1235

1. Field contents are valid on the rising edge of the present clock cycle.

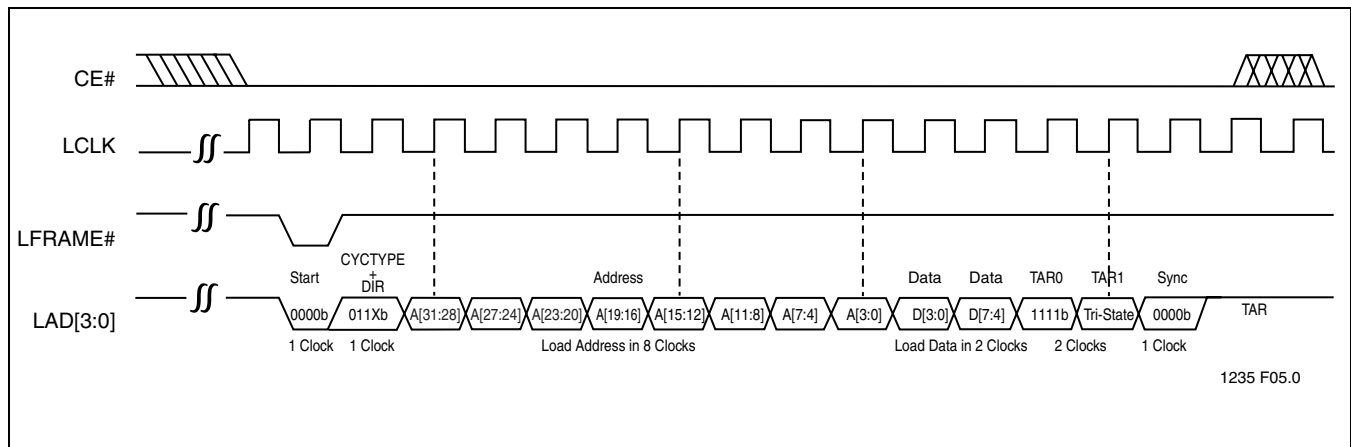


FIGURE 6: LPC Write Cycle Waveform



Response To Invalid Fields

During LPC Read/Write operations, the SST49LF080A will not explicitly indicate that it has received invalid field sequences. The response to specific invalid fields or sequences is as follows:

Address out of range: The SST49LF080A will only respond to address ranges as specified in Table 4.

ID mismatch: ID information is included in every address cycle. The SST49LF080A will compare ID bits in the address field with the hardware ID strapping. If there is a mis-match, the device will ignore the cycle. See Multiple Device Selection section for details.

Once valid START, CYCTYPE + DIR, valid address range and ID bits are received, the SST49LF080A will always complete the bus cycle. However, if the device is busy performing a flash Erase or Program operation, no new internal Write command (memory write or register write) will be executed. As long as the states of LAD[3:0] and LAD[4] are known, the response of the SST49LF080A to signals received during the LPC cycle should be predictable.

Abort Mechanism

If LFRAME# is driven low for one or more clock cycles after the start of an LPC cycle, the cycle will be terminated. The host may drive the LAD[3:0] with '1111b' (ABORT nibble) to return the interface to ready mode. The ABORT only affects the current bus cycle. For a multi-cycle command sequence, such as the Erase or Program SDP commands, ABORT doesn't interrupt the entire command sequence, but only the current bus cycle of the command sequence. The host can re-send the bus cycle and continue the SDP command sequence after the device is ready again.

Write Operation Status Detection

The SST49LF080A device provides two software means to detect the completion of a Write (Program or Erase) cycle, in order to optimize the system Write cycle time. The software detection includes two status bits: Data# Polling, D[7], and Toggle Bit, D[6]. The End-of-Write detection mode is incorporated into the LPC Read Cycle. The actual completion of the nonvolatile write is asynchronous with the system; therefore, either a Data# Polling or Toggle Bit read may be simultaneous with the completion of the Write cycle. If this occurs, the system may possibly get an erroneous result, i.e., valid data may appear to conflict with either D[7] or D[6]. In order to prevent spurious rejection, if an erroneous result occurs, the software routine should include a loop to read the accessed location an additional two (2) times. If both reads are valid, then the device has completed the Write cycle, otherwise the rejection is valid.

Data# Polling

When the SST49LF080A device is in the internal Program operation, any attempt to read D[7] will produce the complement of the true data. Once the Program operation is completed, D[7] will produce true data. Note that even though D[7] may have valid data immediately following the completion of an internal Write operation, the remaining data outputs may still be invalid: valid data on the entire data bus will appear in subsequent successive Read cycles after an interval of 1 μ s. During internal Erase operation, any attempt to read D[7] will produce a '0'. Once the internal Erase operation is completed, D[7] will produce a '1'. Proper status will not be given using Data# Polling if the address is in the invalid range.

Toggle Bit

During the internal Program or Erase operation, any consecutive attempts to read D[6] will produce alternating 0s and 1s, i.e., toggling between 0 and 1. When the internal Program or Erase operation is completed, the toggling will stop.



Multiple Device Selection

Multiple LPC flash devices may be strapped to increase memory densities in a system. The four ID pins, ID[3:0], allow up to 16 devices to be attached to the same bus by using different ID strapping in a system. BIOS support, bus loading, or the attaching bridge may limit this number. The boot device must have an ID of 0 (determined by ID[3:0]); subsequent devices use incremental numbering. Equal density must be used with multiple devices.

When used as a boot device, ID[3:0] must be strapped as 0000; all subsequent devices should use a sequential up-count strapping (i.e. 0001, 0010, 0011, etc.). With the hardware strapping, ID information is included in every LPC address memory cycle. The ID bits in the address field are inverse of the hardware strapping. The address bits [A₂₄:A₂₃, A₂₁:A₂₀] are used to select the device with proper IDs. See Table 7 for IDs. The SST49LF080A will compare these bits with ID[3:0]'s strapping values. If there is a mismatch, the device will ignore the remainder of the cycle.

TABLE 7: Multiple Device Selection Configuration

Device #	Hardware Strapping ID[3:0]	Address Bits Decoding			
		A ₂₄	A ₂₃	A ₂₁	A ₂₀
0 (Boot device)	0000	1	1	1	1
1	0001	1	1	1	0
2	0010	1	1	0	1
3	0011	1	1	0	0
4	0100	1	0	1	1
5	0101	1	0	1	0
6	0110	1	0	0	1
7	0111	1	0	0	0
8	1000	0	1	1	1
9	1001	0	1	1	0
10	1010	0	1	0	1
11	1011	0	1	0	0
12	1100	0	0	1	1
13	1101	0	0	1	0
14	1110	0	0	0	1
15	1111	0	0	0	0

T7.0 1235

Registers

There are two registers available on the SST49LF080A, the General Purpose Inputs Registers (GPI_REG) and the JEDEC ID Registers. Since multiple LPC memory devices may be used to increase memory densities, these registers appear at its respective address location in the 4 GByte system memory map. Unused register locations will read as 00H. Any attempt to read registers during internal Write operation will respond as "Write operation status detection" (Data# Polling or Toggle Bit). Any attempt to write any registers during internal Write operation will be ignored. Table 9 lists GPI_REG and JEDEC ID address locations for SST49LF080A with its respective device strapping.

TABLE 8: General Purpose Inputs Register

Bit	Function	Pin #	
		32-PLCC	32-TSOP
7:5	Reserved	-	-
4	GPI[4] Reads status of general purpose input pin	30	6
3	GPI[3] Reads status of general purpose input pin	3	11
2	GPI[2] Reads status of general purpose input pin	4	12
1	GPI[1] Reads status of general purpose input pin	5	13
0	GPI[0] Reads status of general purpose input pin	6	14

T8.0 1235



Data Sheet

General Purpose Inputs Register

The GPI_REG (General Purpose Inputs Register) passes the state of GPI[4:0] pins at power-up on the SST49LF080A. It is recommended that the GPI[4:0] pins be in the desired state before LFRAME# is brought low for the beginning of the next bus cycle, and remain in that state until the end of the cycle. There is no default value since this is a pass-through register. See the General Purpose Inputs Register table for the GPI_REG bits and function, and Table 9 for memory address locations for its respective device strapping.

JEDEC ID Registers

The JEDEC ID registers identify the device as SST49LF080A and manufacturer as SST in LPC mode. See Table 9 for memory address locations for its respective JEDEC ID location.

TABLE 9: Memory Map Register Addresses for SST49LF080A

Device #	Hardware Strapping ID[3:0]	GPI_REG	JEDEC ID	
			Manufacturer	Device
0 (Boot device)	0000	FFBC 0100H	FFBC 0000H	FFBC 0001H
1	0001	FFAC 0100H	FFAC 0000H	FFAC 0001H
2	0010	FF9C 0100H	FF9C 0000H	FF9C 0001H
3	0011	FF8C 0100H	FF8C 0000H	FF8C 0001H
4	0100	FF3C 0100H	FF3C 0000H	FF3C 0001H
5	0101	FF2C 0100H	FF2C 0000H	FF2C 0001H
6	0110	FF1C 0100H	FF1C 0000H	FF1C 0001H
7	0111	FF0C 0100H	FF0C 0000H	FF0C 0001H
8	1000	FEBC 0100H	FEBC 0000H	FEBC 0001H
9	1001	FEAC 0100H	FEAC 0000H	FEAC 0001H
10	1010	FE9C 0100H	FE9C 0000H	FE9C 0001H
11	1011	FE8C 0100H	FE8C 0000H	FE8C 0001H
12	1100	FE3C 0100H	FE3C 0000H	FE3C 0001H
13	1101	FE2C 0100H	FE2C 0000H	FE2C 0001H
14	1110	FE1C 0100H	FE1C 0000H	FE1C 0001H
15	1111	FE0C 0100H	FE0C 0000H	FE0C 0001H

T9.0 1235

PARALLEL PROGRAMMING MODE

Device Operation

Commands are used to initiate the memory operation functions of the device. The data portion of the software command sequence is latched on the rising edge of WE#. During the software command sequence the row address is latched on the falling edge of R/C# and the column address is latched on the rising edge of R/C#.

Reset

Driving the RST# low will initiate a hardware reset of the SST49LF080A. See Table 23 for Reset timing parameters and Figure 17 for Reset timing diagram.

Read

The Read operation of the SST49LF080A device is controlled by OE#. OE# is the output control and is used to gate data from the output pins. Refer to the Read cycle timing diagram, Figure 18, for further details.

Byte-Program Operation

The SST49LF080A device is programmed on a byte-by-byte basis. Before programming, one must ensure that the sector in which the byte is programmed is fully erased. The Byte-Program operation is initiated by executing a four-byte command load sequence for Software Data Protection with address (BA) and data in the last byte sequence. During the Byte-Program operation, the row address ($A_{10}-A_0$) is latched on the falling edge of R/C# and the column address ($A_{21}-A_{11}$) is latched on the rising edge of R/C#. The data bus is latched on the rising edge of WE#. The Program operation, once initiated, will be completed, within 20 μ s. See Figure 22 for Program operation timing diagram and Figure 34 for its flowchart. During the Program operation, the only valid reads are Data# Polling and Toggle Bit. During the internal Program operation, the host is free to perform additional tasks. Any commands written during the internal Program operation will be ignored.

Sector-Erase Operation

The Sector-Erase operation allows the system to erase the device on a sector-by-sector basis. The sector architecture is based on uniform sector size of 4 KByte. The Sector-Erase operation is initiated by executing a six-byte command load sequence for Software Data Protection with Sector-Erase command (30H) and sector address (SA) in the last bus cycle. The internal Erase operation begins after the sixth WE# pulse. The End-of-Erase can be determined using either Data# Polling or Toggle Bit methods. See Figure 23 for Sector-Erase timing waveforms. Any commands written during the Sector-Erase operation will be ignored.

Block-Erase Operation

The Block-Erase Operation allows the system to erase the device in 64 KByte uniform block size for the SST49LF080A. The Block-Erase operation is initiated by executing a six-byte command load sequence for Software Data Protection with Block-Erase command (50H) and block address. The internal Block-Erase operation begins after the sixth WE# pulse. The End-of-Erase can be determined using either Data# Polling or Toggle Bit methods. See Figure 24 for Block-Erase timing waveforms. Any commands written during the Block-Erase operation will be ignored.

Chip-Erase Operation

The SST49LF080A devices provide a Chip-Erase operation, which allows the user to erase the entire memory array to the "1s" state. This is useful when the entire device must be quickly erased.

The Chip-Erase operation is initiated by executing a six-byte Software Data Protection command sequence with Chip-Erase command (10H) with address 5555H in the last byte sequence. The internal Erase operation begins with the rising edge of the sixth WE#. During the internal Erase operation, the only valid read is Toggle Bit or Data# Polling. See Table 11 for the command sequence, Figure 25 for Chip-Erase timing diagram, and Figure 37 for the flowchart. Any commands written during the Chip-Erase operation will be ignored.



Write Operation Status Detection

The SST49LF080A devices provide two software means to detect the completion of a Write (Program or Erase) cycle, in order to optimize the system Write cycle time. The software detection includes two status bits: Data# Polling D[7] and Toggle Bit D[6]. The End-of-Write detection mode is enabled after the rising edge of WE# which initiates the internal Program or Erase operation.

The actual completion of the nonvolatile write is asynchronous with the system; therefore, either a Data# Polling or Toggle Bit read may be simultaneous with the completion of the Write cycle. If this occurs, the system may possibly get an erroneous result, i.e., valid data may appear to conflict with either D[7] or D[6]. In order to prevent spurious rejection, if an erroneous result occurs, the software routine should include a loop to read the accessed location an additional two (2) times. If both reads are valid, then the device has completed the Write cycle, otherwise the rejection is valid.

Data# Polling (DQ₇)

When the SST49LF080A device is in the internal Program operation, any attempt to read DQ₇ will produce the complement of the true data. Once the Program operation is completed, DQ₇ will produce true data. Note that even

though DQ₇ may have valid data immediately following the completion of an internal Write operation, the remaining data outputs may still be invalid: valid data on the entire data bus will appear in subsequent successive Read cycles after an interval of 1 μs. During internal Erase operation, any attempt to read DQ₇ will produce a '0'. Once the internal Erase operation is completed, DQ₇ will produce a '1'. The Data# Polling is valid after the rising edge of fourth WE# pulse for Program operation. For Sector-, Block-, or Chip-Erase, the Data# Polling is valid after the rising edge of sixth WE# pulse. See Figure 20 for Data# Polling timing diagram and Figure 35 for a flowchart. Proper status will not be given using Data# Polling if the address is in the invalid range.

Toggle Bit (DQ₆)

During the internal Program or Erase operation, any consecutive attempts to read DQ₆ will produce alternating '0's and '1's, i.e., toggling between 0 and 1. When the internal Program or Erase operation is completed, the toggling will stop. The device is then ready for the next operation. The Toggle Bit is valid after the rising edge of fourth WE# pulse for Program operation. For Sector-, Block-, or Chip-Erase, the Toggle Bit is valid after the rising edge of sixth WE# pulse. See Figure 21 for Toggle Bit timing diagram and Figure 35 for a flowchart.

TABLE 10: Operation Modes Selection (PP Mode)

Mode	RST#	OE#	WE#	DQ	Address
Read	V _{IH}	V _{IL}	V _{IH}	D _{OUT}	A _{IN}
Program	V _{IH}	V _{IH}	V _{IL}	D _{IN}	A _{IN}
Erase	V _{IH}	V _{IH}	V _{IL}	X ¹	Sector or Block address, XXH for Chip-Erase
Reset	V _{IL}	X	X	High Z	X
Write Inhibit	V _{IH}	V _{IL}	X	High Z/D _{OUT}	X
	X	X	V _{IH}	High Z/D _{OUT}	X
Product Identification	V _{IH}	V _{IL}	V _{IH}	Manufacturer's ID (BFH) Device ID ²	See Table 11

1. X can be V_{IL} or V_{IH}, but no other value.
2. Device ID = 5BH for SST49LF080A

T10.0 1235



8 Mbit LPC Flash SST49LF080A

Data Sheet

Data Protection (PP Mode)

The SST49LF080A devices provide both hardware and software features to protect nonvolatile data from inadvertent writes.

Hardware Data Protection

Noise/Glitch Protection: A WE# pulse of less than 5 ns will not initiate a Write cycle.

V_{DD} Power Up/Down Detection: The Write operation is inhibited when V_{DD} is less than 1.5V.

Write Inhibit Mode: Forcing OE# low, WE# high will inhibit the Write operation. This prevents inadvertent writes during power-up or power-down.

Software Data Protection (SDP)

The SST49LF080A provides the JEDEC approved Software Data Protection scheme for all data alteration operation, i.e., Program and Erase. Any Program operation requires the inclusion of a series of three-byte sequence. The three-byte load sequence is used to initiate the Program operation, providing optimal protection from inadvertent Write operations, e.g., during the system power-up or power-down. Any Erase operation requires the inclusion of a six-byte load sequence.



SOFTWARE COMMAND SEQUENCE

TABLE 11: Software Command Sequence

Command Sequence	1st ¹ Cycle		2nd ¹ Cycle		3rd ¹ Cycle		4th ¹ Cycle		5th ¹ Cycle		6th ¹ Cycle	
	Addr ²	Data	Addr ²	Data	Addr ²	Data	Addr ²	Data	Addr ²	Data	Addr ²	Data
Byte-Program	YYYY 5555H	AAH	YYYY 2AAAH	55H	YYYY 5555H	A0H	PA ³	Data				
Sector-Erase	YYYY 5555H	AAH	YYYY 2AAAH	55H	YYYY 5555H	80H	YYYY 5555H	AAH	YYYY 2AAAH	55H	SA _x ⁴	30H
Block-Erase	YYYY 5555H	AAH	YYYY 2AAAH	55H	YYYY 5555H	80H	YYYY 5555H	AAH	YYYY 2AAAH	55H	BA _x ⁵	50H
Chip-Erase ⁶	YYYY 5555H	AAH	YYYY 2AAAH	55H	YYYY 5555H	80H	YYYY 5555H	AAH	YYYY 2AAAH	55H	YYYY 5555H	10H
Software ID Entry	YYYY 5555H	AAH	YYYY 2AAAH	55H	YYYY 5555H	90H	Read ID ⁷					
Software ID Exit ⁸	XXXX XXXXH	F0H										
Software ID Exit ⁸	YYYY 5555H	AAH	YYYY 2AAAH	55H	YYYY 5555H	F0H						

T11.0 1235

1. LPC mode use consecutive Write cycles to complete a command sequence; PP mode use consecutive bus cycles to complete a command sequence.
2. YYYY = A[31:16]. In LPC mode, during SDP command sequence, YYYY must be within memory address range specified in Table 4. In PP mode, YYYY can be V_{IL} or V_{IH}, but no other value.
3. PA = Program Byte address
4. SA_x for Sector-Erase Address
5. BA_x for Block-Erase Address
6. Chip-Erase is supported in PP mode only
7. SST Manufacturer's ID = BFH, is read with A₀ = 0.
With A₁₉-A₁ = 0; SST49LF080A Device ID = 5BH, is read with A₀ = 1.
8. Both Software ID Exit operations are equivalent

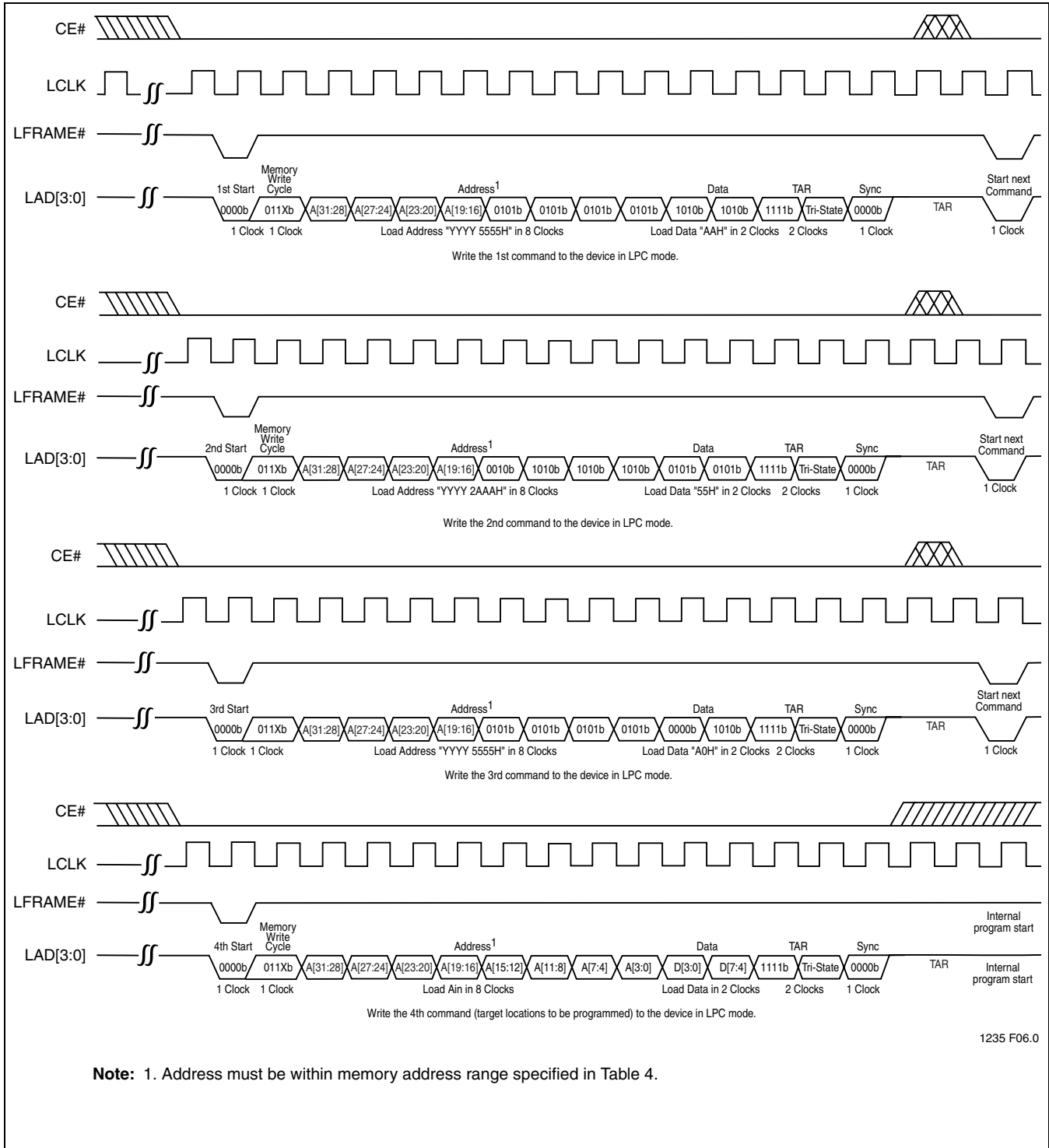
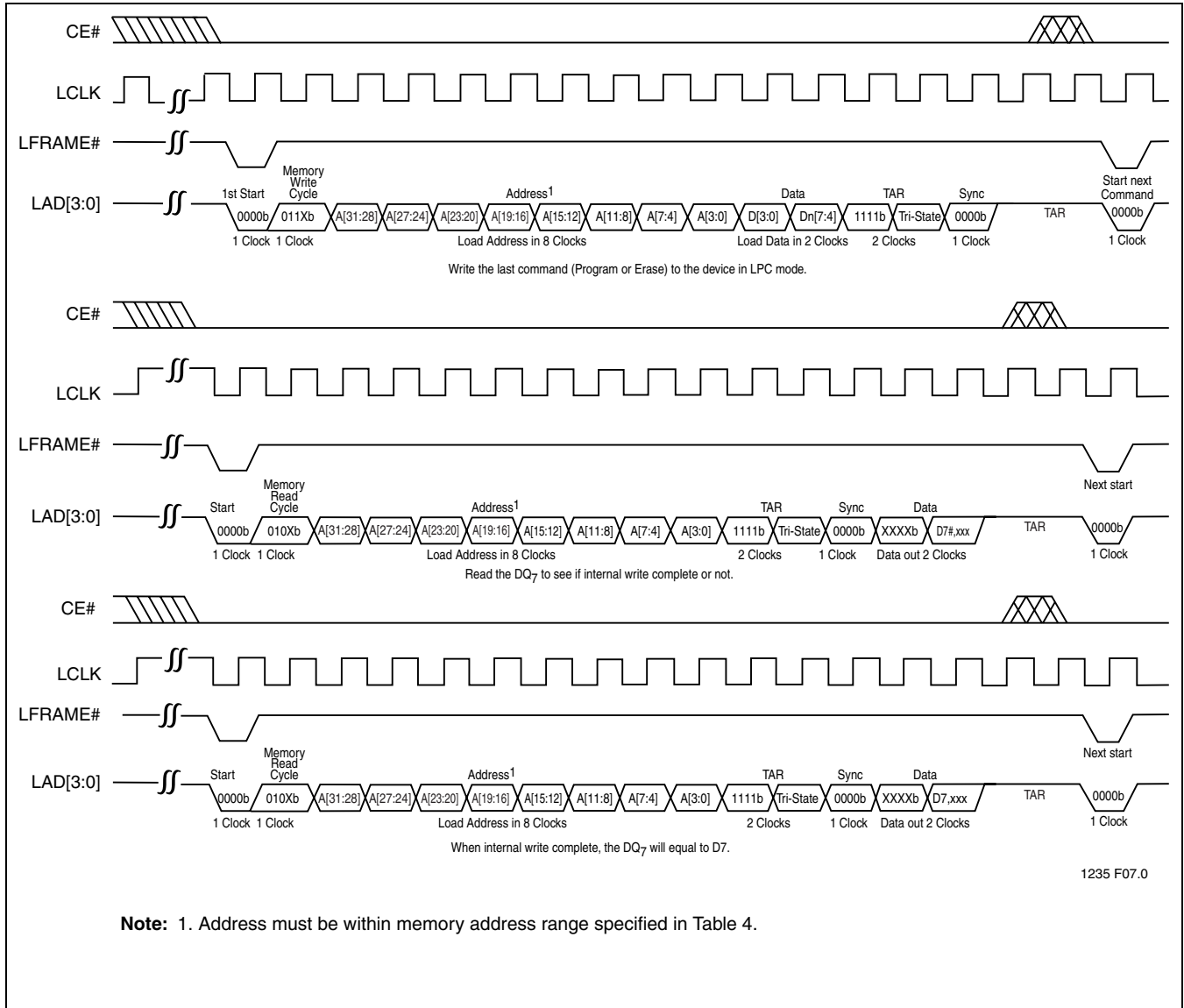


FIGURE 7: Program Command Sequence (LPC Mode)



Data Sheet



Note: 1. Address must be within memory address range specified in Table 4.

FIGURE 8: Data# Polling Command Sequence (LPC Mode)

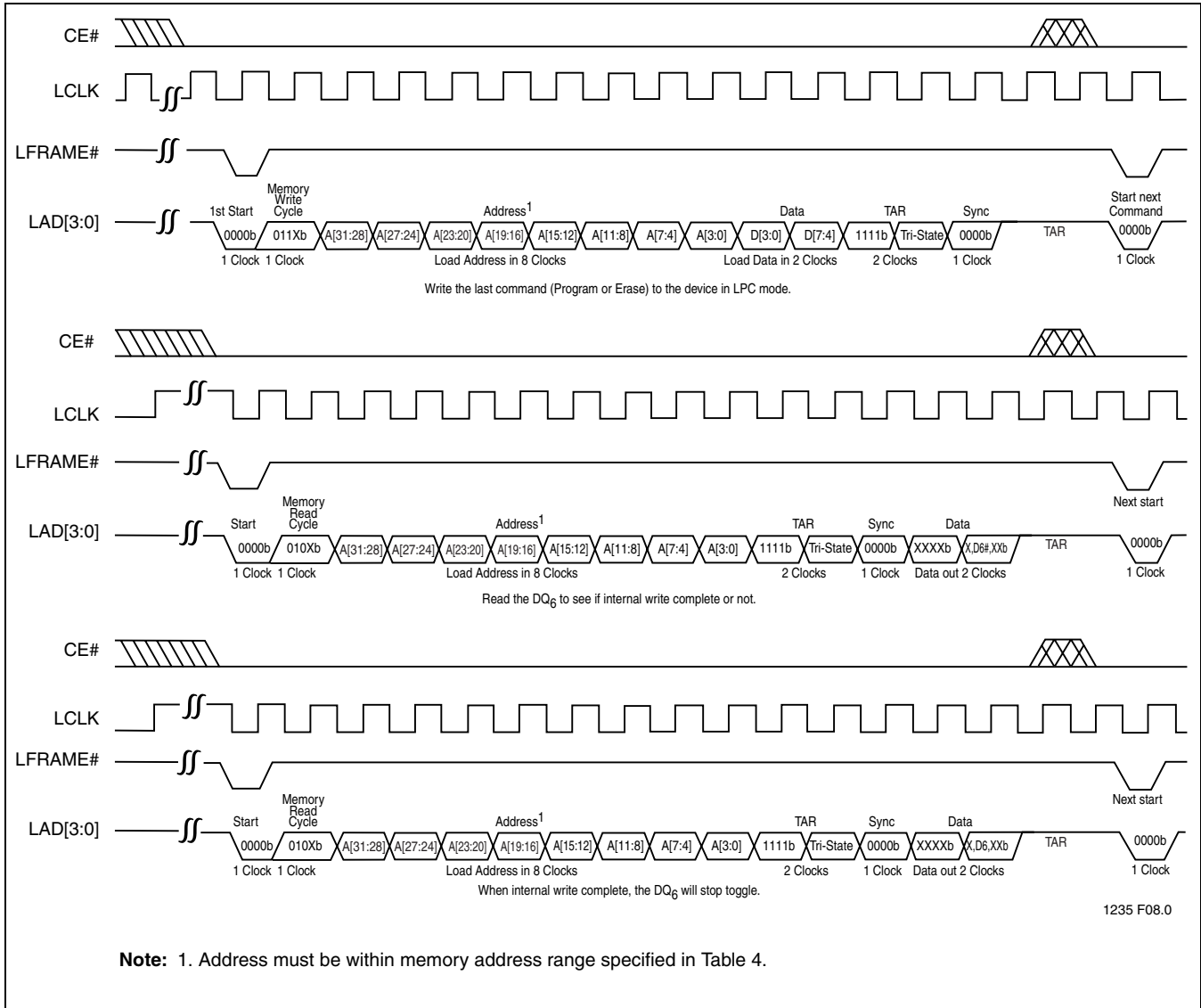


FIGURE 9: Toggle Bit Command Sequence (LPC Mode)



Data Sheet

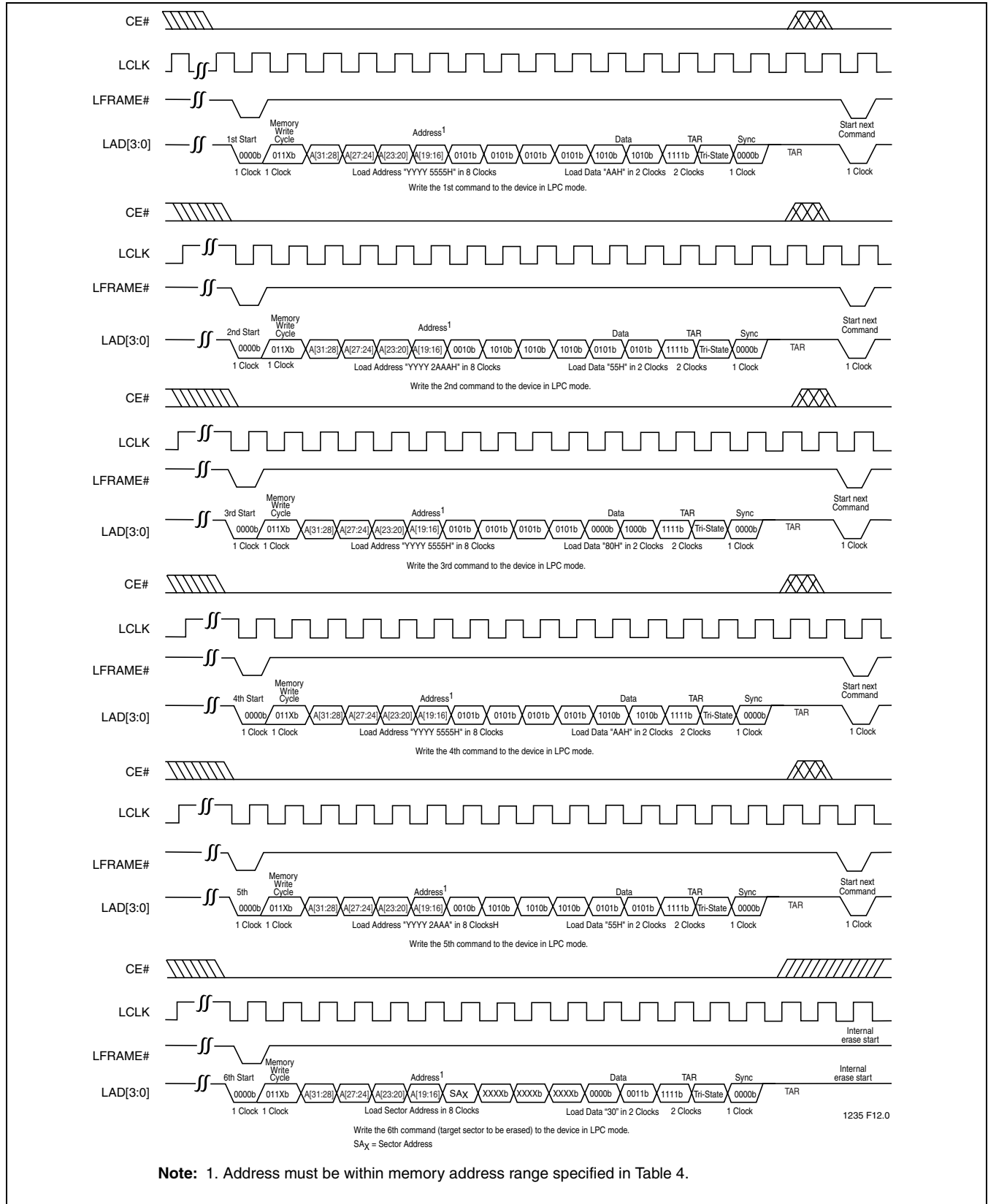


FIGURE 10: Sector-Erase Command Sequence (LPC Mode)

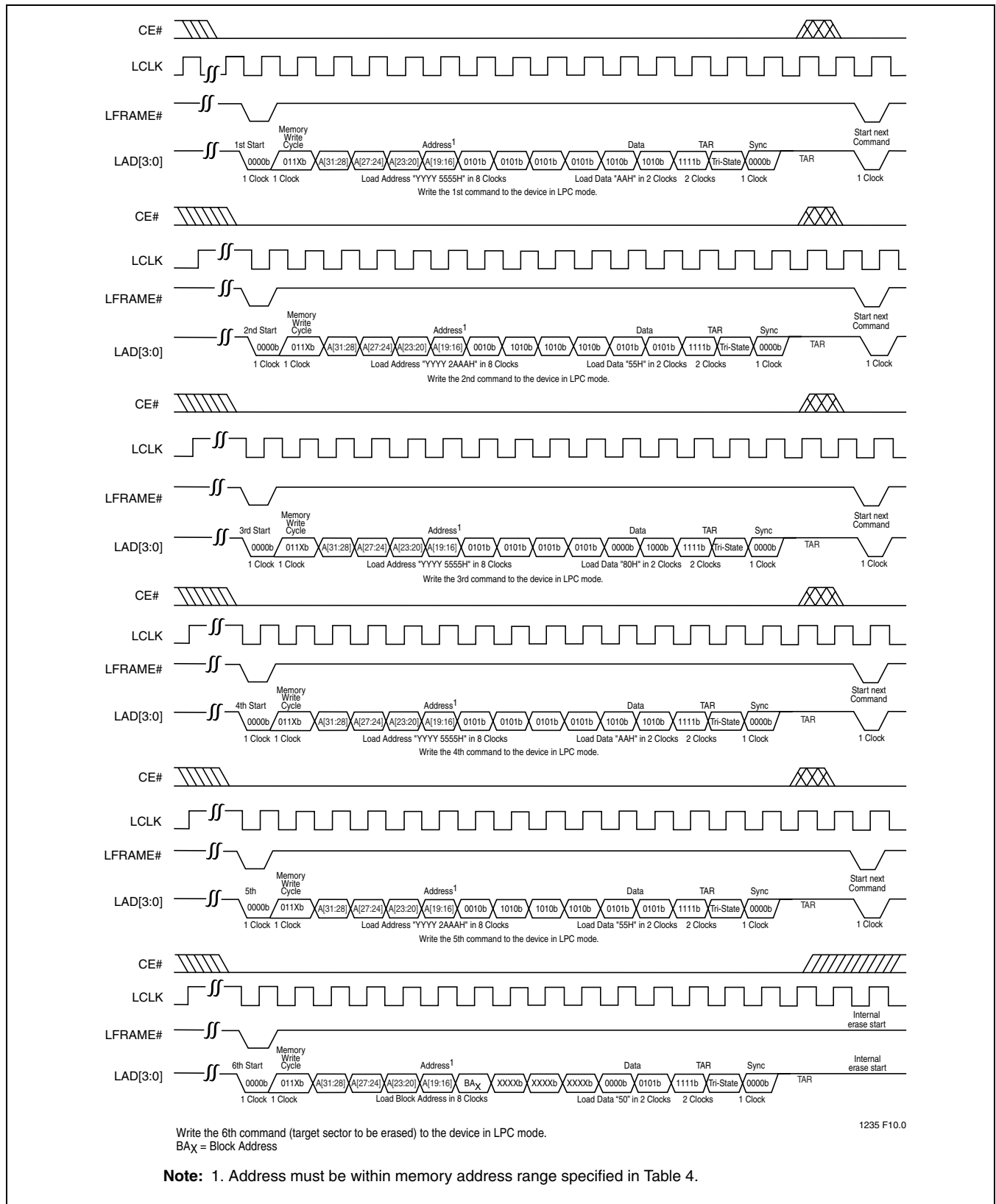


FIGURE 11: Block-Erase Command Sequence (LPC Mode)



Data Sheet

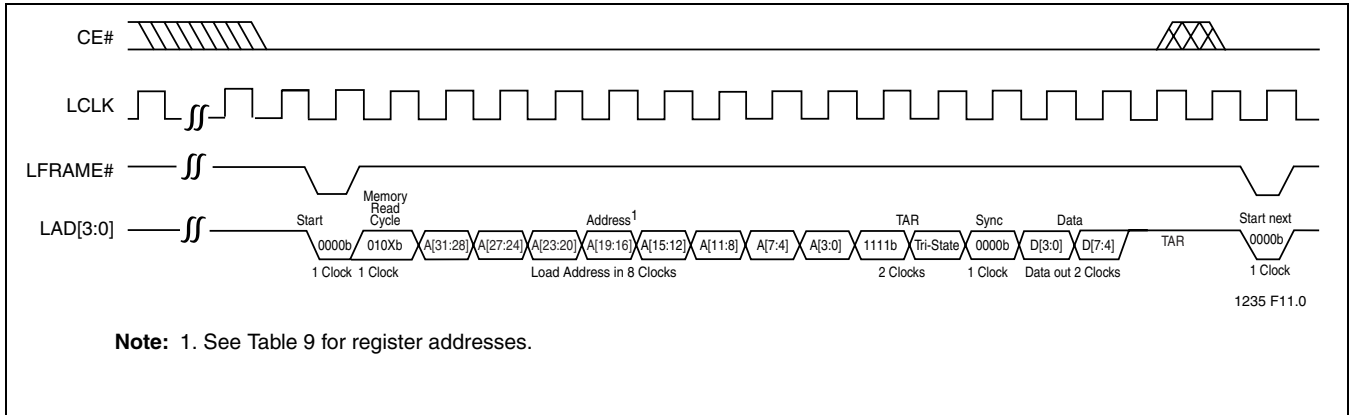


FIGURE 12: Register Readout Command Sequence (LPC Mode)



8 Mbit LPC Flash SST49LF080A

Data Sheet

ELECTRICAL SPECIFICATIONS

The AC and DC specifications for the LPC interface signals (LA0[3:0], LFRAME, LCLK and RST#) as defined in Section 4.2.2.4 of the PCI local Bus specification, Rev. 2.1. Refer to Table 12 for the DC voltage and current specifications. Refer to Tables 16 through 19 and Tables 21 through 23 for the AC timing specifications for Clock, Read, Write, and Reset operations.

Absolute Maximum Stress Ratings (Applied conditions greater than those listed under “Absolute Maximum Stress Ratings” may cause permanent damage to the device. This is a stress rating only and functional operation of the device at these conditions or conditions greater than those defined in the operational sections of this datasheet is not implied. Exposure to absolute maximum stress rating conditions may affect device reliability.)

Temperature Under Bias	-55°C to +125°C
Storage Temperature	-65°C to +150°C
D.C. Voltage on Any Pin to Ground Potential	-0.5V to V _{DD} +0.5V
Transient Voltage (<20 ns) on Any Pin to Ground Potential	-2.0V to V _{DD} +2.0V
Package Power Dissipation Capability (T _a =25°C)	1.0W
Surface Mount Solder Reflow Temperature ¹	260°C for 10 seconds
Output Short Circuit Current ²	50 mA

1. Excluding certain with-Pb 32-PLCC units, all packages are 260°C capable in both non-Pb and with-Pb solder versions. Certain with-Pb 32-PLCC package types are capable of 240°C for 10 seconds; please consult the factory for the latest information.
2. Outputs shorted for no more than one second. No more than one output shorted at a time.

Operating Range

Range	Ambient Temp	V _{DD}
Commercial	0°C to +85°C	3.0-3.6V

AC Conditions of Test

Input Rise/Fall Time	3 ns
Output Load	C _L = 30 pF
See Figures 28 and 29	



Data Sheet

DC Characteristics

TABLE 12: DC Operating Characteristics (All Interfaces)

Symbol	Parameter	Limits			Test Conditions
		Min	Max	Units	
I _{DD} ¹	Active V _{DD} Current				LCLK (LPC mode) and Address Input (PP mode)=V _{ILT} /V _{IHT} at f=33 MHz (LPC mode) or 1/T _{RC min} (PP Mode) All other inputs=V _{IL} or V _{IH}
	Read		12	mA	All outputs = open, V _{DD} =V _{DD Max}
	Write		24	mA	See Note ²
I _{SB}	Standby V _{DD} Current (LPC Interface)		100	μA	LCLK (LPC mode) and Address Input (PP mode)=V _{ILT} /V _{IHT} at f=33 MHz (LPC mode) or 1/T _{RC min} (PP Mode) LFRAME#=0.9 V _{DD} , f=33 MHz, CE#=0.9 V _{DD} , V _{DD} =V _{DD Max} , All other inputs ≥ 0.9 V _{DD} or ≤ 0.1 V _{DD}
I _{RY} ³	Ready Mode V _{DD} Current (LPC Interface)		10	mA	LCLK (LPC mode) and Address Input (PP mode)=V _{ILT} /V _{IHT} at f=33 MHz (LPC mode) or 1/T _{RC min} (PP Mode) LFRAME#=V _{IL} , f=33 MHz, V _{DD} =V _{DD Max} All other inputs ≥ 0.9 V _{DD} or ≤ 0.1 V _{DD}
I _I	Input Current for Mode and ID[3:0] pins		200	μA	V _{IN} =GND to V _{DD} , V _{DD} =V _{DD Max}
I _{LI}	Input Leakage Current		1	μA	V _{IN} =GND to V _{DD} , V _{DD} =V _{DD Max}
I _{LO}	Output Leakage Current		1	μA	V _{OUT} =GND to V _{DD} , V _{DD} =V _{DD Max}
V _{IHI}	INIT# Input High Voltage	1.1	V _{DD} +0.5	V	V _{DD} =V _{DD Max}
V _{ILI}	INIT# Input Low Voltage	-0.5	0.4	V	V _{DD} =V _{DD Min}
V _{IL}	Input Low Voltage	-0.5	0.3 V _{DD}	V	V _{DD} =V _{DD Min}
V _{IH}	Input High Voltage	0.5 V _{DD}	V _{DD} +0.5	V	V _{DD} =V _{DD Max}
V _{OL}	Output Low Voltage		0.1 V _{DD}	V	I _{OL} =1500 μA, V _{DD} =V _{DD Min}
V _{OH}	Output High Voltage	0.9 V _{DD}		V	I _{OH} =-500 μA, V _{DD} =V _{DD Min}

T12.0 1235

1. I_{DD} active while a Read or Write (Program or Erase) operation is in progress.
2. For PP Mode: OE# = WE# = V_{IH}; For LPC Mode: f = 1/T_{RC min}, LFRAME# = V_{IH}, CE# = V_{IL}.
3. The device is in Ready mode when no activity is on the LPC bus.

TABLE 13: Recommended System Power-up Timings

Symbol	Parameter	Minimum	Units
T _{PU-READ} ¹	Power-up to Read Operation	100	μs
T _{PU-WRITE} ¹	Power-up to Write Operation	100	μs

T13.0 1235

1. This parameter is measured only for initial qualification and after a design or process change that could affect this parameter

TABLE 14: Pin Capacitance (V_{DD}=3.3V, T_a=25 °C, f=1 Mhz, other pins open)

Parameter	Description	Test Condition	Maximum
C _{I/O} ¹	I/O Pin Capacitance	V _{I/O} =0V	12 pF
C _{IN} ¹	Input Capacitance	V _{IN} =0V	12 pF

T14.0 1235

1. This parameter is measured only for initial qualification and after a design or process change that could affect this parameter.

TABLE 15: Reliability Characteristics

Symbol	Parameter	Minimum Specification	Units	Test Method
N_{END}^1	Endurance	10,000	Cycles	JEDEC Standard A117
T_{DR}^1	Data Retention	100	Years	JEDEC Standard A103
I_{LTH}^1	Latch Up	$100 + I_{DD}$	mA	JEDEC Standard 78

T15.0 1235

1. This parameter is measured only for initial qualification and after a design or process change that could affect this parameter.

TABLE 16: Clock Timing Parameters (LPC Mode)

Symbol	Parameter	Min	Max	Units
T_{CYC}	LCLK Cycle Time	30		ns
T_{HIGH}	LCLK High Time	11		ns
T_{LOW}	LCLK Low Time	11		ns
-	LCLK Slew Rate (peak-to-peak)	1	4	V/ns
-	RST# or INIT# Slew Rate	50		mV/ns

T16.0 1235

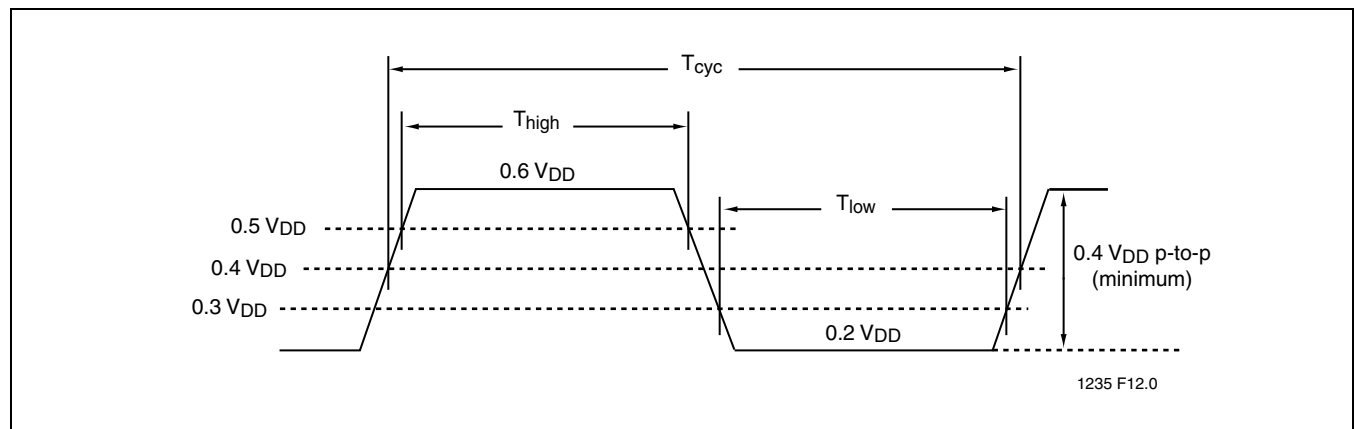


FIGURE 13: LCLK Waveform (LPC Mode)



Data Sheet

TABLE 17: Reset Timing Parameters, $V_{DD}=3.0-3.6V$ (LPC Mode)

Symbol	Parameter	Min	Max	Units
T_{PRST}	V_{DD} stable to Reset Low	1		ms
T_{KRST}	Clock Stable to Reset Low	100		μs
T_{RSTP}	RST# Pulse Width	100		ns
T_{RSTF}	RST# Low to Output Float		48	ns
T_{RST}^1	RST# High to LFRAME# Low	1		μs
T_{RSTE}	RST# Low to reset during Sector-/Block-Erase or Program		10	μs

T17.0 1235

1. There may be additional latency due to T_{RSTE} if a reset procedure is performed during a Program or Erase operation.

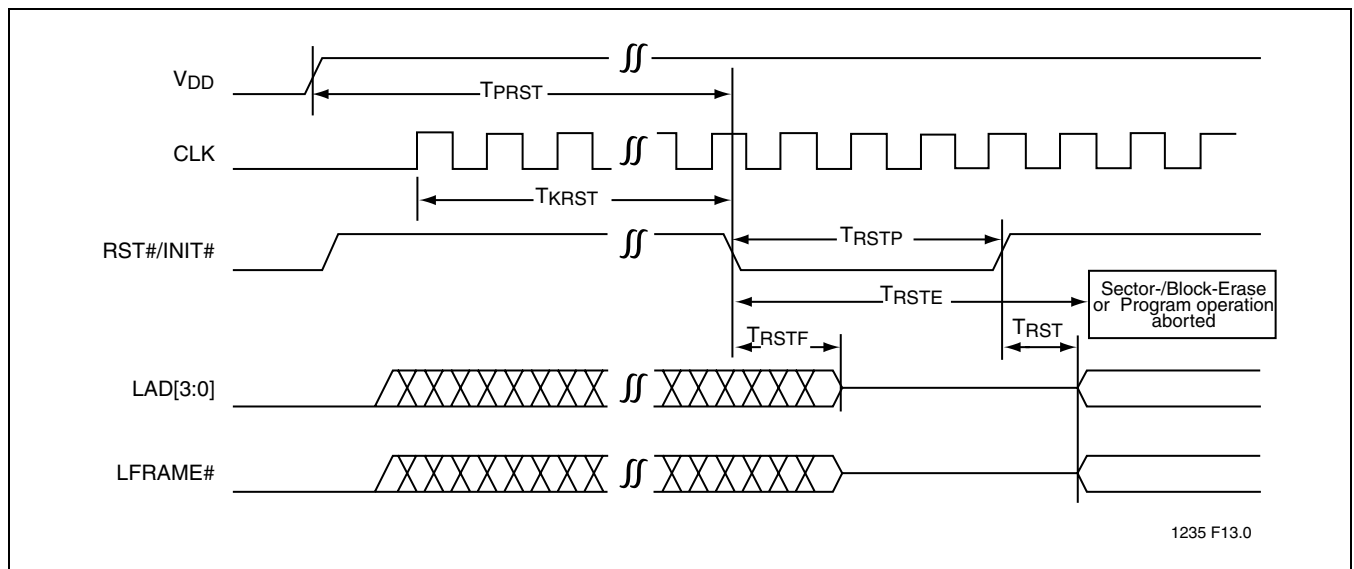


FIGURE 14: Reset Timing Diagram (LPC Mode)

AC Characteristics

TABLE 18: Read/Write Cycle Timing Parameters, $V_{DD}=3.0-3.6V$ (LPC Mode)

Symbol	Parameter	Min	Max	Units
T_{CYC}	Clock Cycle Time	30		ns
T_{SU}	Data Set Up Time to Clock Rising	7		ns
T_{DH}	Clock Rising to Data Hold Time	0		ns
T_{VAL}^1	Clock Rising to Data Valid	2	11	ns
T_{BP}	Byte Programming Time		20	μs
T_{SE}	Sector-Erase Time		25	ms
T_{BE}	Block-Erase Time		25	ms
T_{ON}	Clock Rising to Active (Float to Active Delay)	2		ns
T_{OFF}	Clock Rising to Inactive (Active to Float Delay)		28	ns

T18.0 1235

1. Minimum and maximum times have different loads. See PCI spec.

TABLE 19: AC Input/Output Specifications (LPC Mode)

Symbol	Parameter	Min	Max	Units	Conditions
$I_{OH}(AC)$	Switching Current High (Test Point)	$-12 V_{DD}$	Equation C ¹	mA	$0 < V_{OUT} \leq 0.3 V_{DD}$
		$-17.1(V_{DD}-V_{OUT})$		mA	$0.3 V_{DD} < V_{OUT} < 0.9 V_{DD}$
				mA	$0.7 V_{DD} < V_{OUT} < V_{DD}$
			$-32 V_{DD}$	mA	$V_{OUT} = 0.7 V_{DD}$
$I_{OL}(AC)$	Switching Current Low (Test Point)	$16 V_{DD}$	Equation D ¹	mA	$V_{DD} > V_{OUT} \geq 0.6 V_{DD}$
		$26.7 V_{OUT}$		mA	$0.6 V_{DD} > V_{OUT} > 0.1 V_{DD}$
				mA	$0.18 V_{DD} > V_{OUT} > 0$
			$38 V_{DD}$	mA	$V_{OUT} = 0.18 V_{DD}$
I_{CL}	Low Clamp Current	$-25+(V_{IN}+1)/0.015$		mA	$-3 < V_{IN} \leq -1$
I_{CH}	High Clamp Current	$25+(V_{IN}-V_{DD}-1)/0.015$		mA	$V_{DD}+4 > V_{IN} \geq V_{DD}+1$
$slewr^2$	Output Rise Slew Rate	1	4	V/ns	$0.2 V_{DD}-0.6 V_{DD}$ load
$slewf^2$	Output Fall Slew Rate	1	4	V/ns	$0.6 V_{DD}-0.2 V_{DD}$ load

T19.0 1235

1. See PCI spec.

2. PCI specification output load is used.

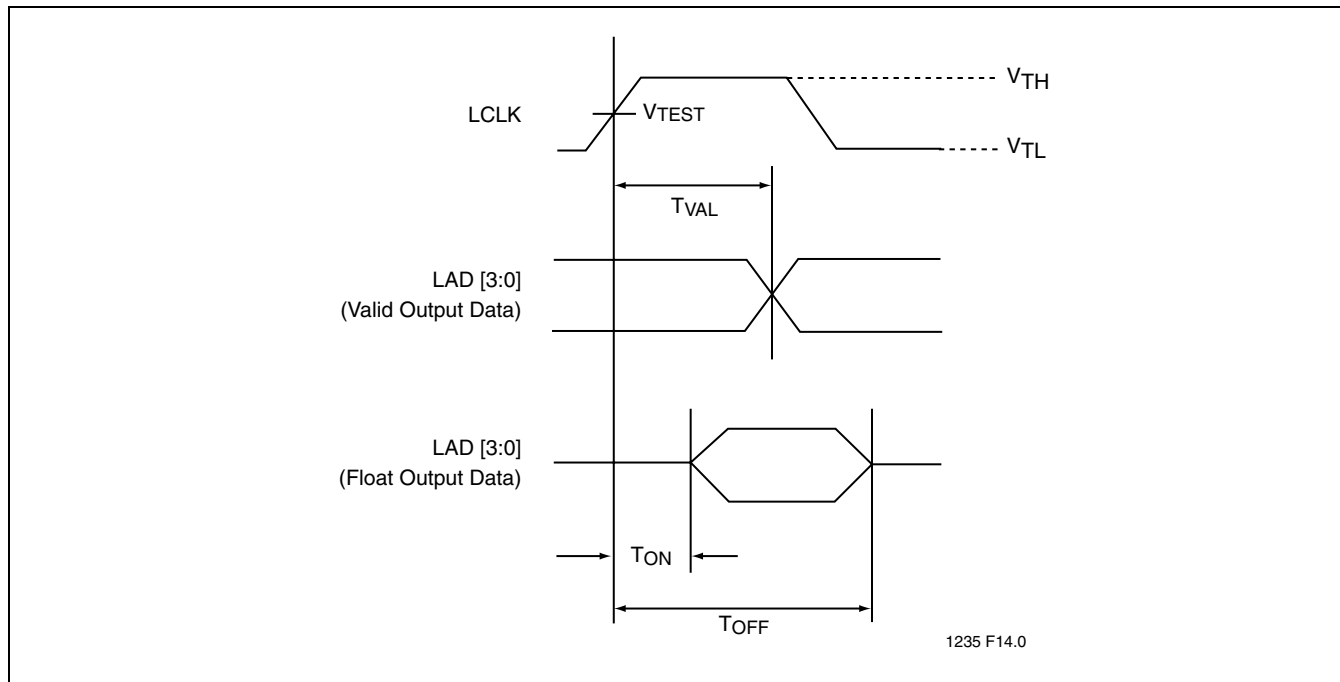


FIGURE 15: Output Timing Parameters (LPC Mode)

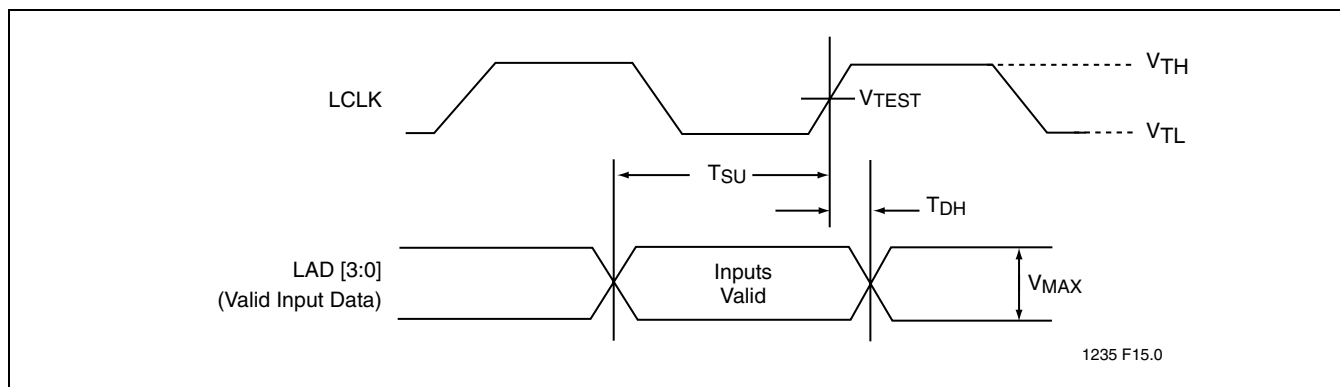


FIGURE 16: Input Timing Parameters (LPC Mode)

TABLE 20: Interface Measurement Condition Parameters (LPC Mode)

Symbol	Value	Units
V_{TH}^1	$0.6 V_{DD}$	V
V_{TL}^1	$0.2 V_{DD}$	V
V_{TEST}	$0.4 V_{DD}$	V
V_{MAX}^1	$0.4 V_{DD}$	V
Input Signal Edge Rate	1	V/ns

T20.0 1235

1. The input test environment is done with $0.1 V_{DD}$ of overdrive over V_{IH} and V_{IL} . Timing parameters must be met with no more overdrive than this. V_{MAX} specified the maximum peak-to-peak waveform allowed for measuring input timing. Production testing may use different voltage values, but must correlate results back to these parameters



TABLE 21: Read Cycle Timing Parameters, $V_{DD}=3.0-3.6V$ (PP Mode)

Symbol	Parameter	Min	Max	Units
T_{RC}	Read Cycle Time	270		ns
T_{RST}	RST# High to Row Address Setup	1		μ s
T_{AS}	R/C# Address Set-up Time	45		ns
T_{AH}	R/C# Address Hold Time	45		ns
T_{AA}	Address Access Time		120	ns
T_{OE}	Output Enable Access Time		60	ns
T_{OLZ}	OE# Low to Active Output	0		ns
T_{OHZ}	OE# High to High-Z Output		35	ns
T_{OH}	Output Hold from Address Change	0		ns

T21.0 1235

TABLE 22: Program/Erase Cycle Timing Parameters, $V_{DD}=3.0-3.6V$ (PP Mode)

Symbol	Parameter	Min	Max	Units
T_{RST}	RST# High to Row Address Setup	1		μ s
T_{AS}	R/C# Address Setup Time	50		ns
T_{AH}	R/C# Address Hold Time	50		ns
T_{CWH}	R/C# to Write Enable High Time	50		ns
T_{OES}	OE# High Setup Time	20		ns
T_{OEH}	OE# High Hold Time	20		ns
T_{OEP}	OE# to Data# Polling Delay		40	ns
T_{OET}	OE# to Toggle Bit Delay		40	ns
T_{WP}	WE# Pulse Width	100		ns
T_{WPH}	WE# Pulse Width High	100		ns
T_{DS}	Data Setup Time	50		ns
T_{DH}	Data Hold Time	5		ns
T_{IDA}	Software ID Access and Exit Time		150	ns
T_{BP}	Byte Programming Time		20	μ s
T_{SE}	Sector-Erase Time		25	ms
T_{BE}	Block-Erase Time		25	ms
T_{SCE}	Chip-Erase Time		100	ms

T22.0 1235

TABLE 23: Reset Timing Parameters, $V_{DD}=3.0-3.6V$ (PP Mode)

Symbol	Parameter	Min	Max	Units
T_{PRST}	V_{DD} stable to Reset Low	1		ms
T_{RSTP}	RST# Pulse Width	100		ns
T_{RSTF}	RST# Low to Output Float		48	ns
T_{RST}^1	RST# High to Row Address Setup	1		μ s
T_{RSTE}	RST# Low to reset during Sector-/Block-Erase or Program		10	μ s
T_{RSTC}	RST# Low to reset during Chip-Erase		50	μ s

T23.0 1235

1. There may be additional reset latency due to T_{RSTE} or T_{RSTC} if a reset procedure is performed during a Program or Erase operation.

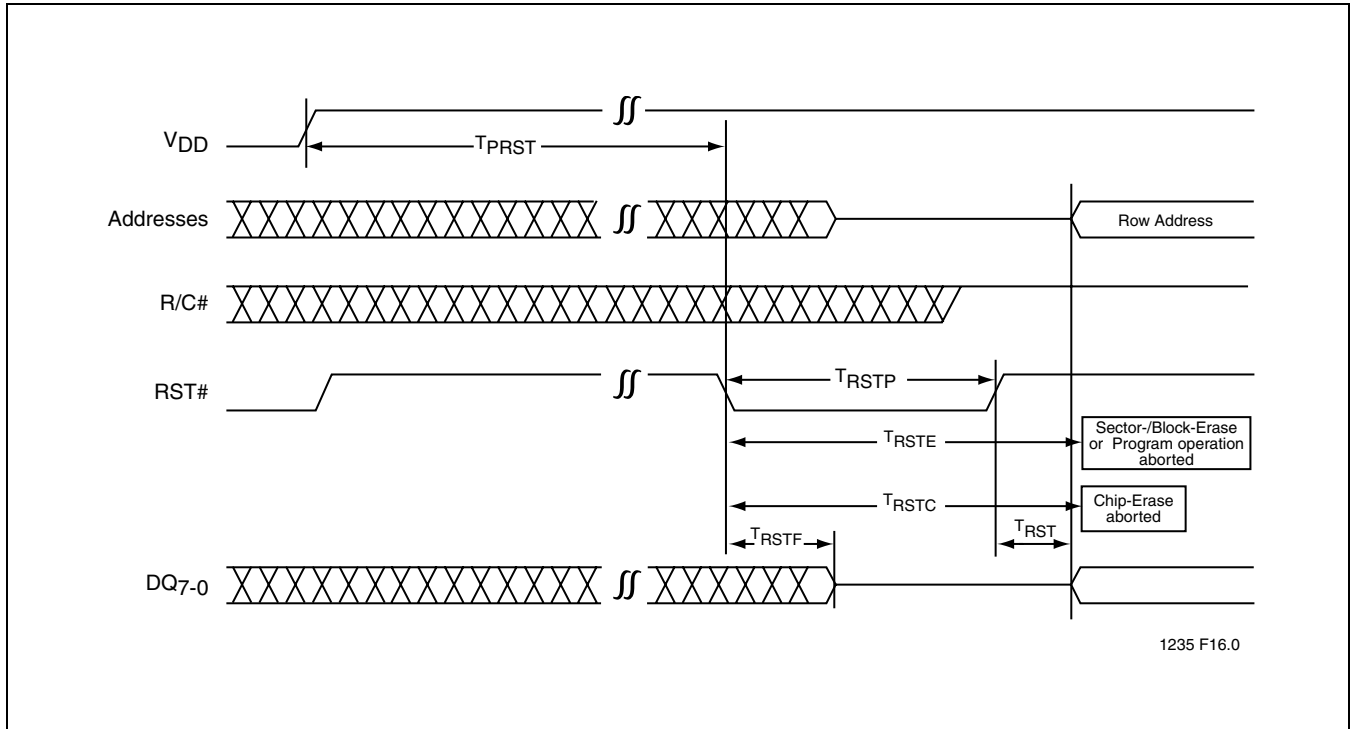


FIGURE 17: Reset Timing Diagram (PP Mode)

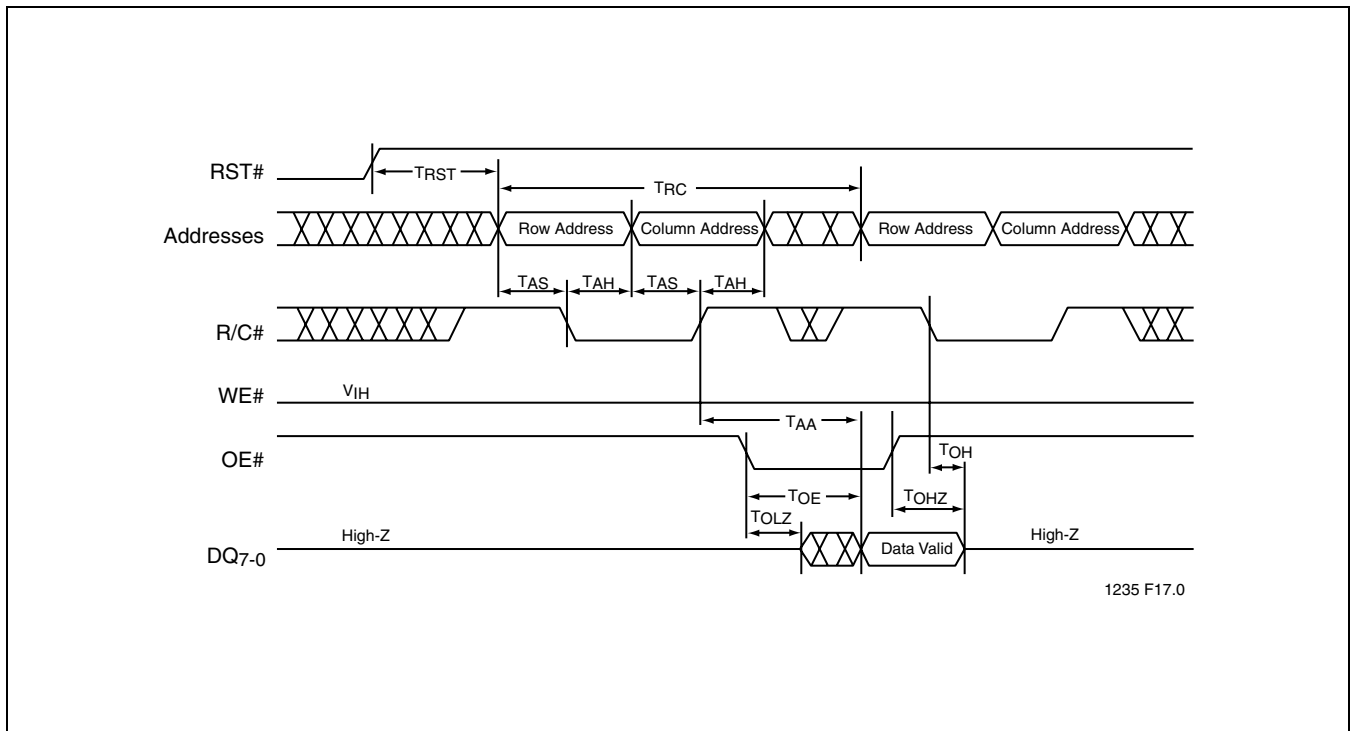


FIGURE 18: Read Cycle Timing Diagram (PP Mode)

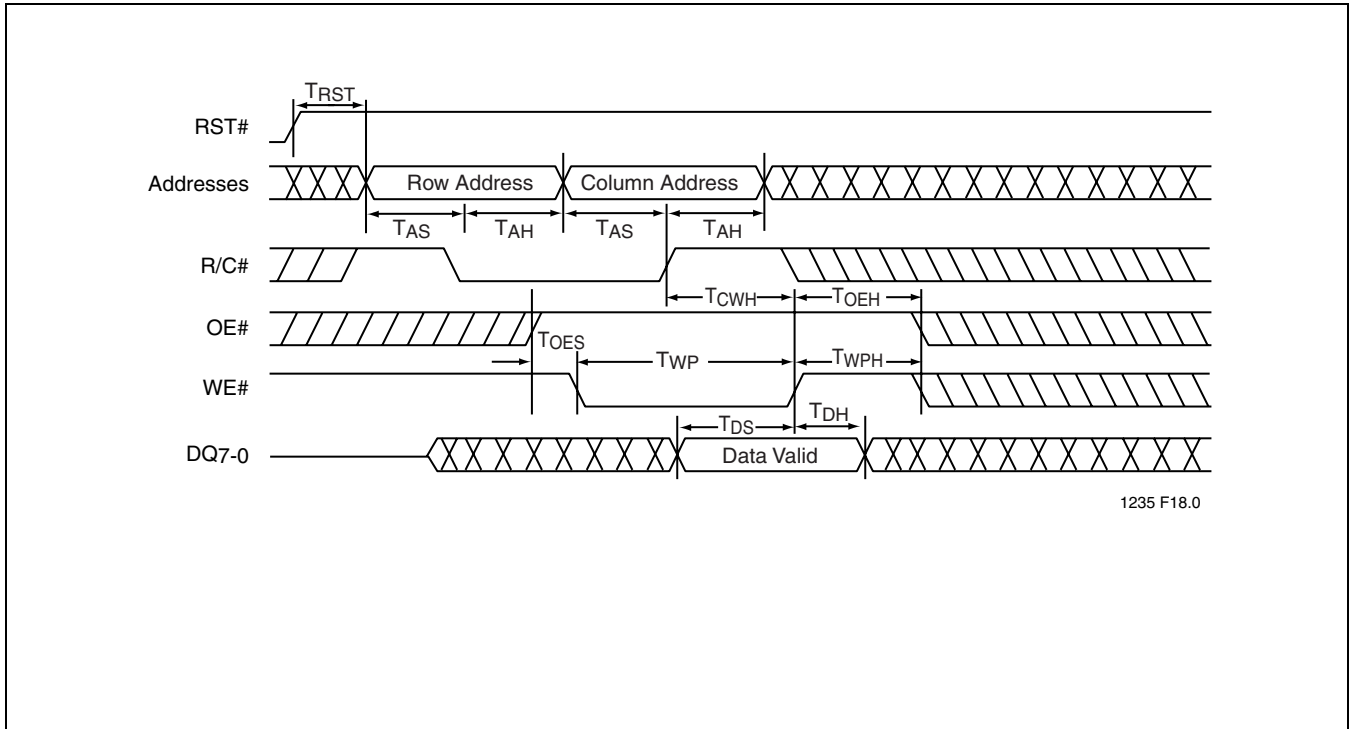


FIGURE 19: Write Cycle Timing Diagram (PP Mode)

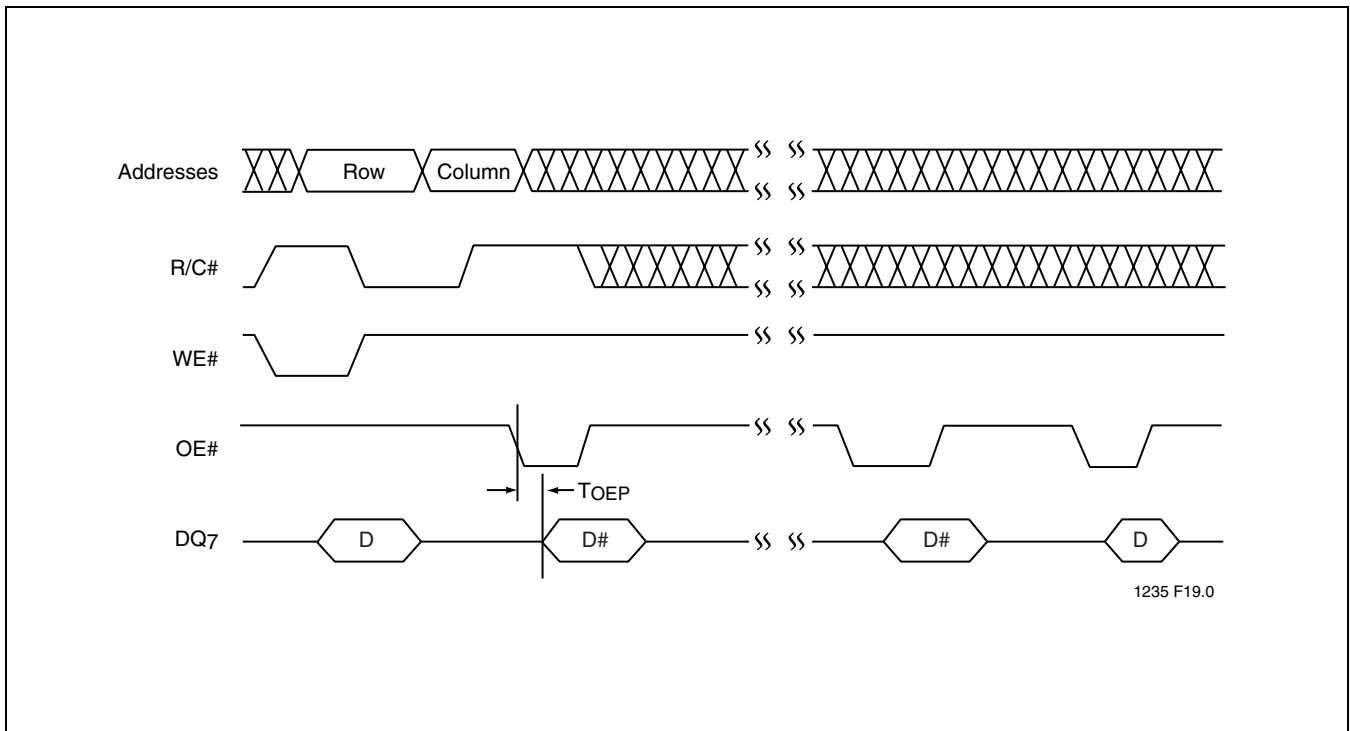


FIGURE 20: Data# Polling Timing Diagram (PP Mode)

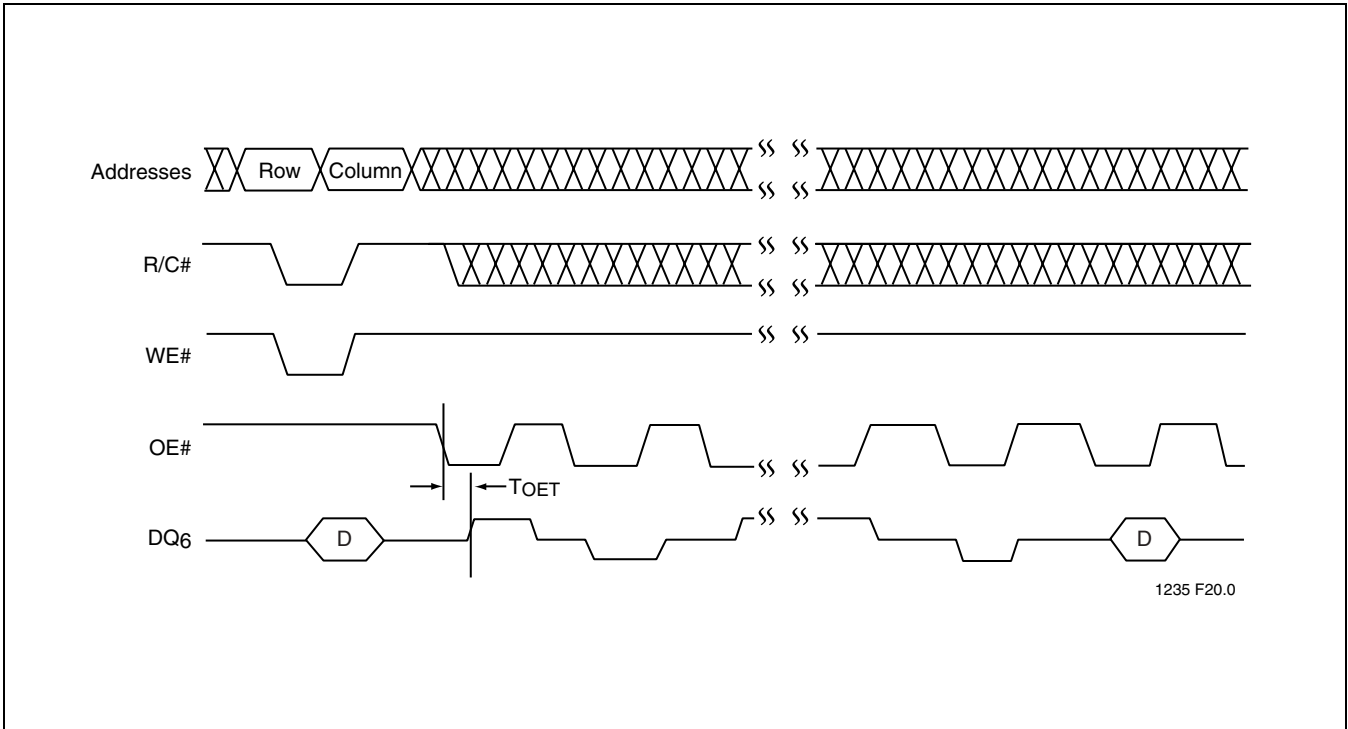


FIGURE 21: Toggle Bit Timing Diagram (PP Mode)

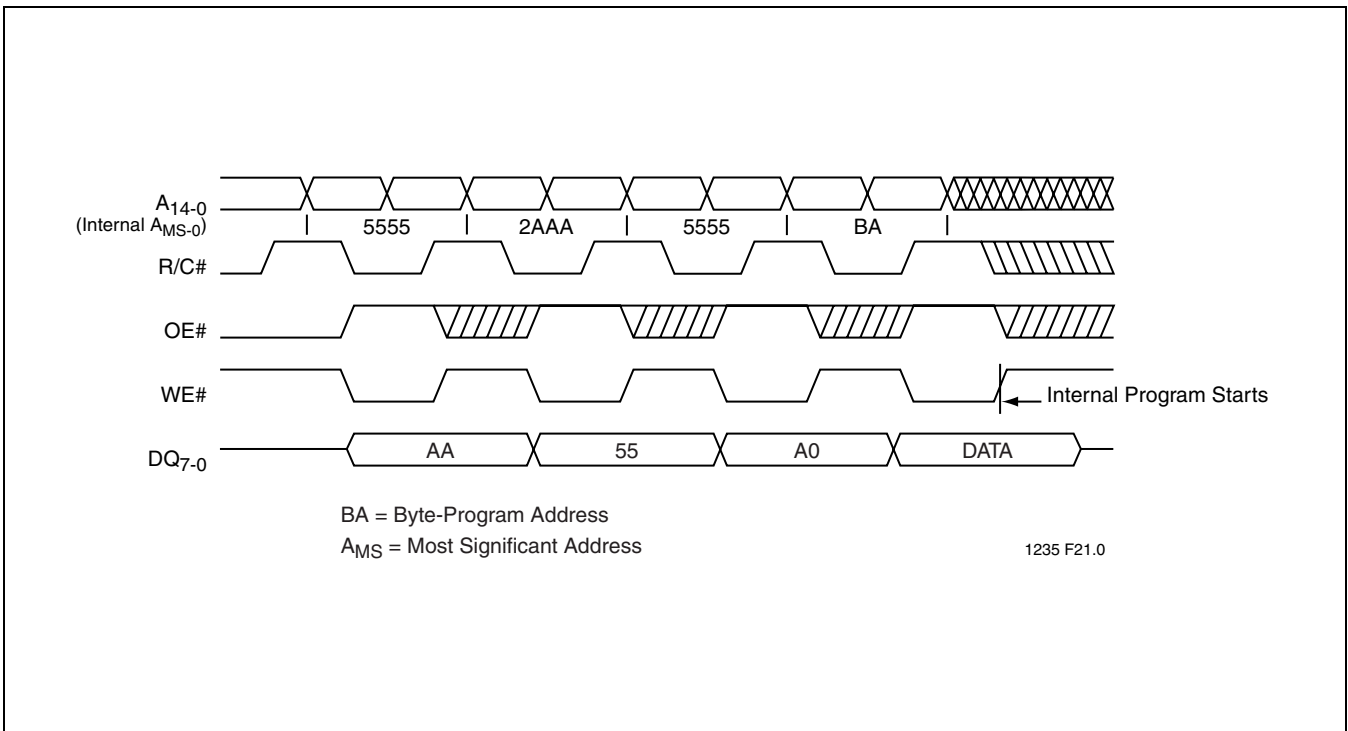


FIGURE 22: Byte-Program Timing Diagram (PP Mode)

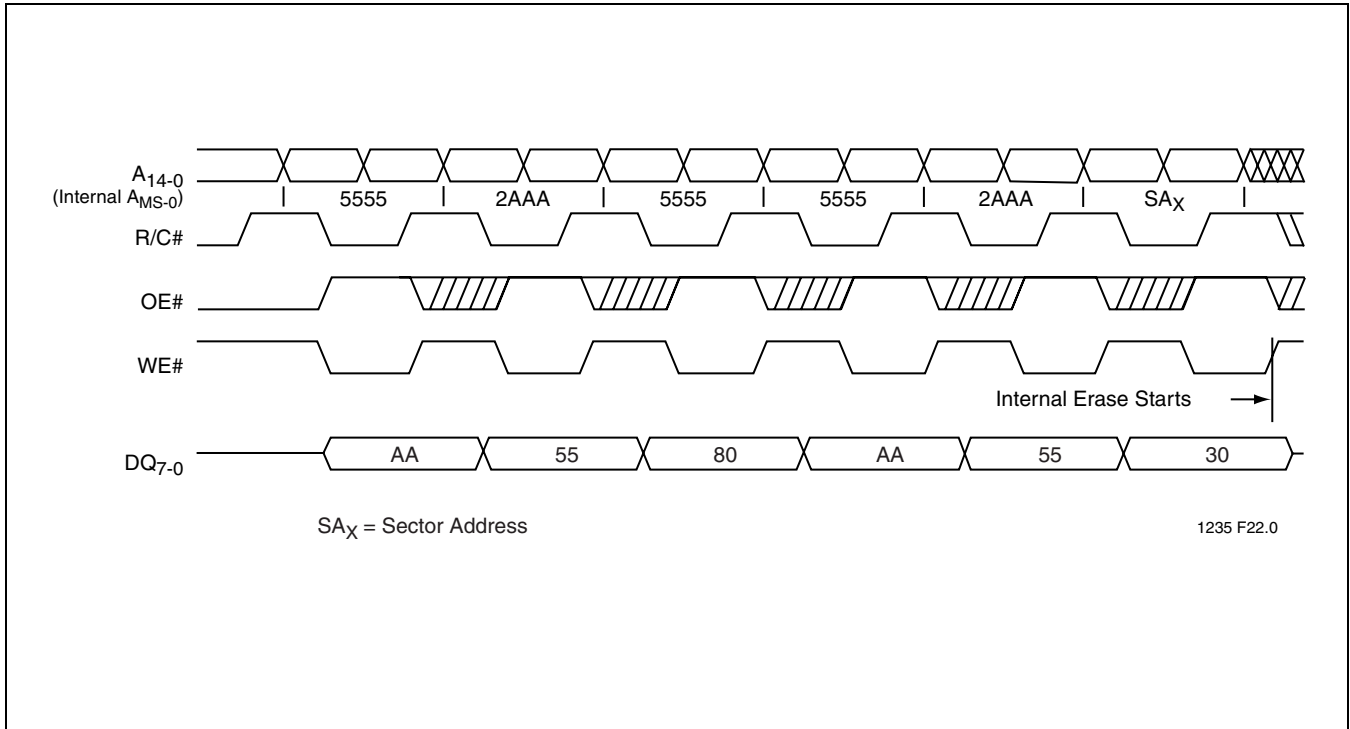


FIGURE 23: Sector-Erase Timing Diagram (PP Mode)

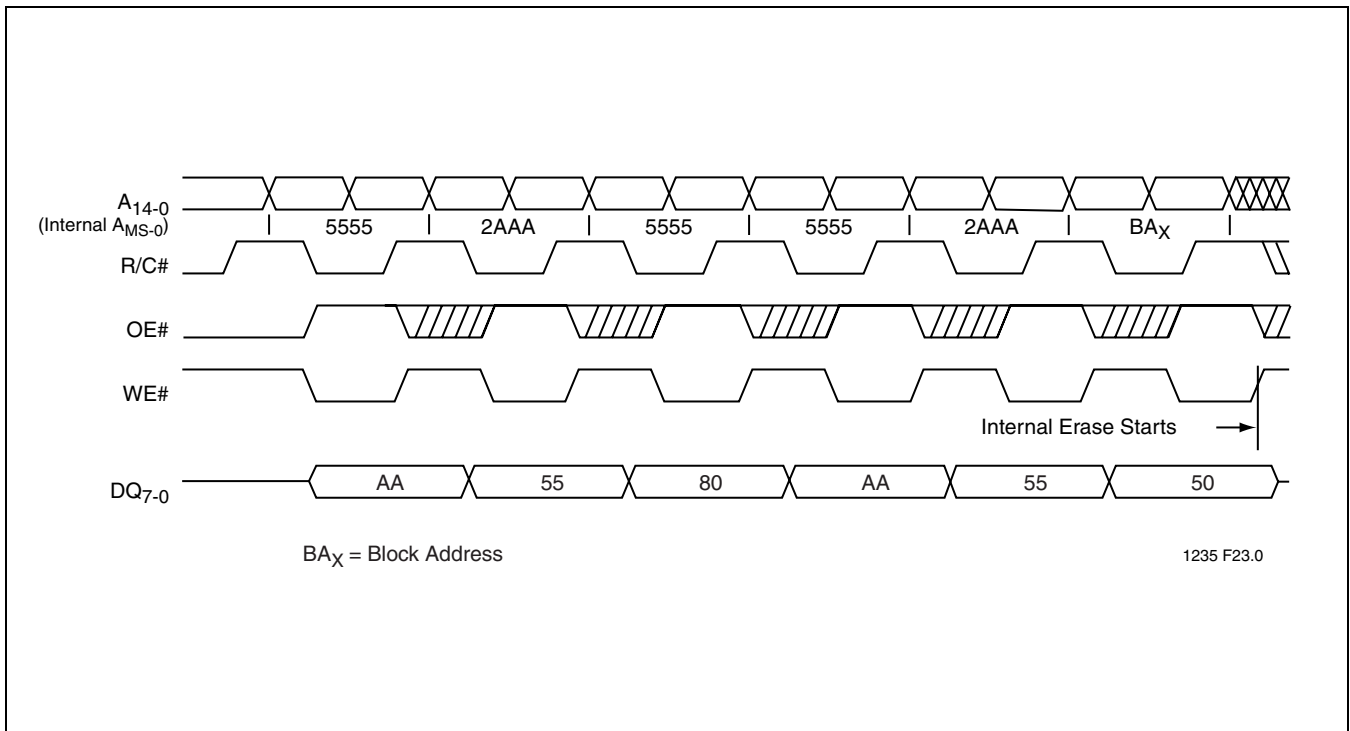


FIGURE 24: Block-Erase Timing Diagram (PP Mode)

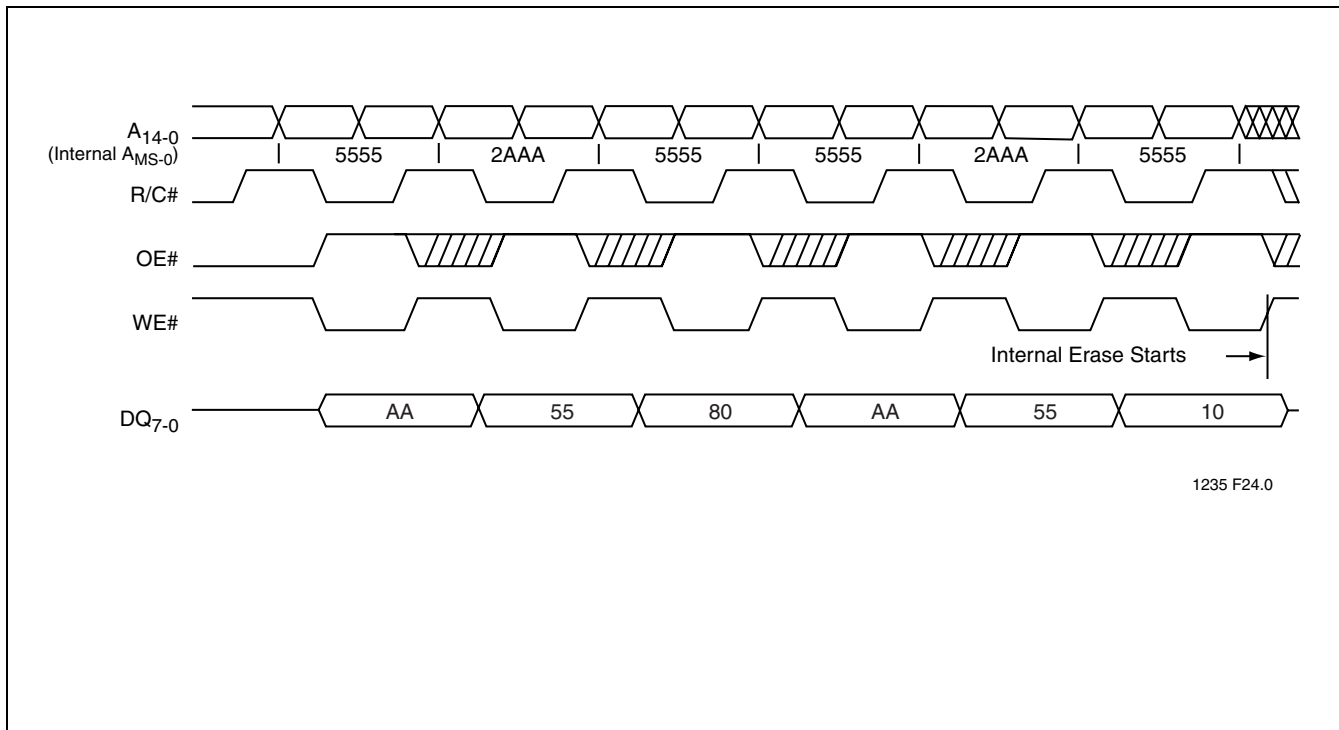
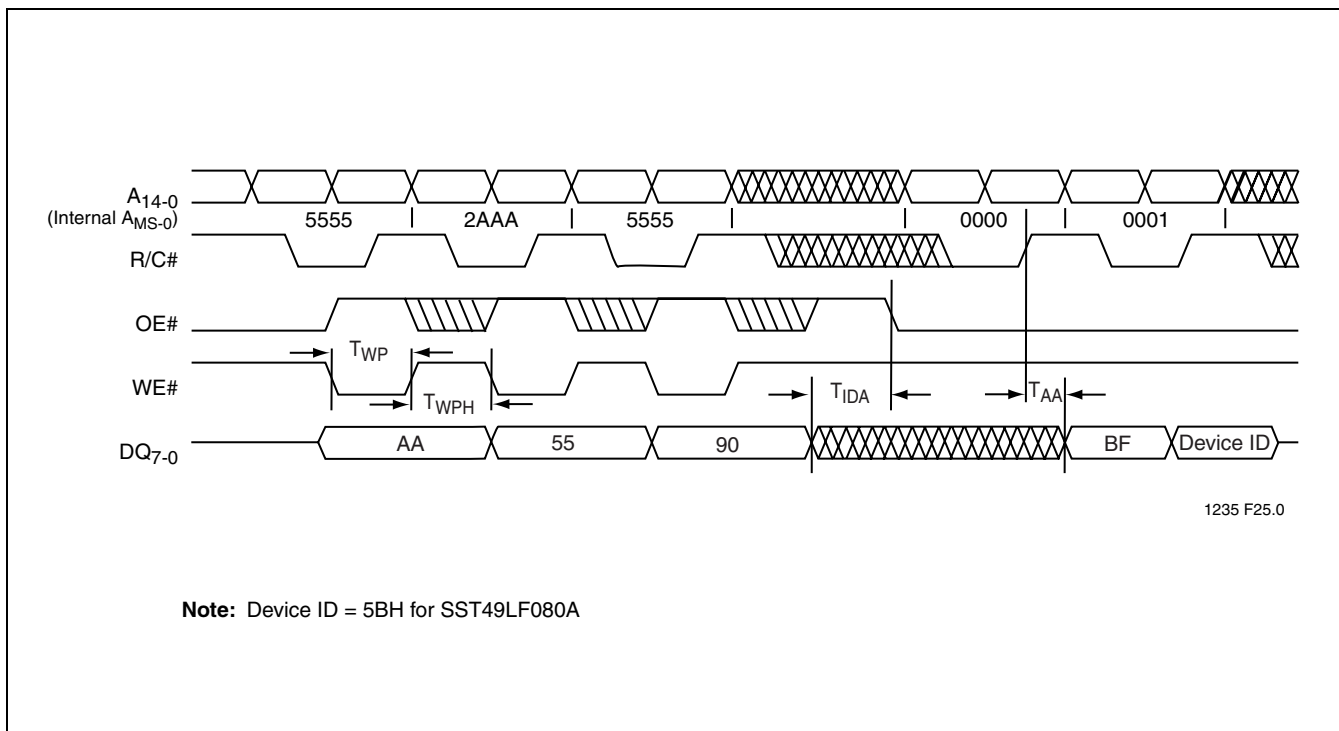


FIGURE 25: Chip-Erase Timing Diagram (PP Mode)



Note: Device ID = 5BH for SST49LF080A

FIGURE 26: Software ID Entry and Read (PP Mode)

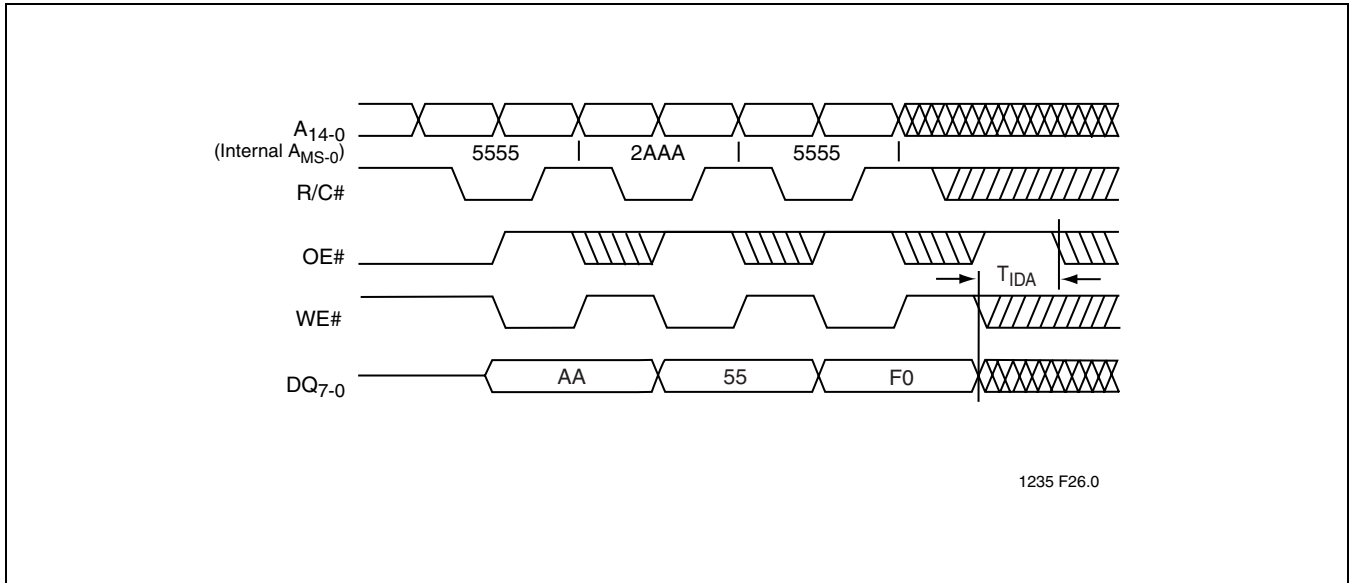


FIGURE 27: Software ID Exit (PP Mode)

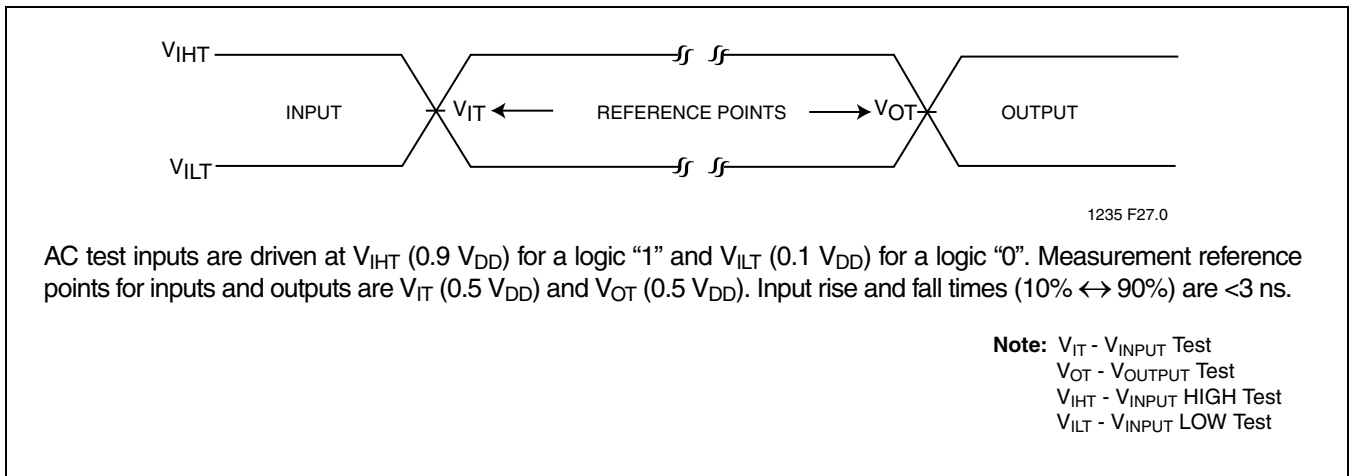


FIGURE 28: AC Input/Output Reference Waveforms

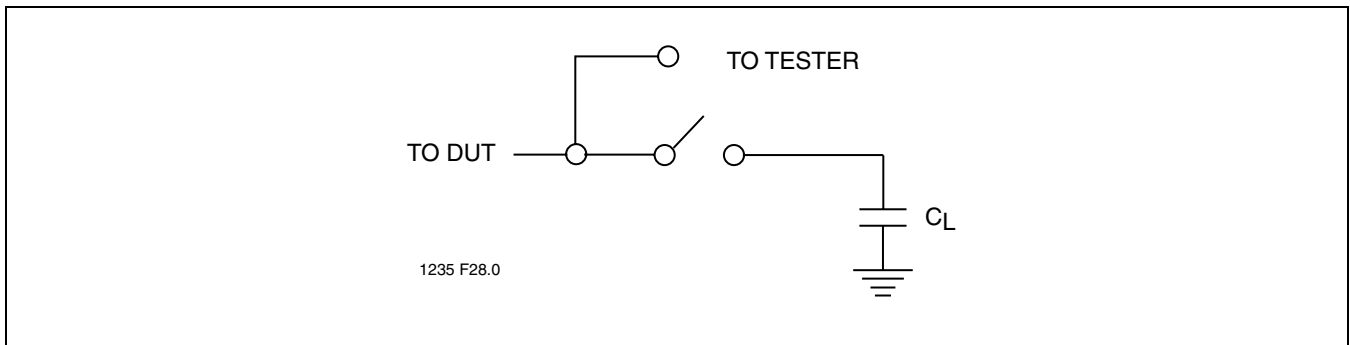


FIGURE 29: A Test Load Example

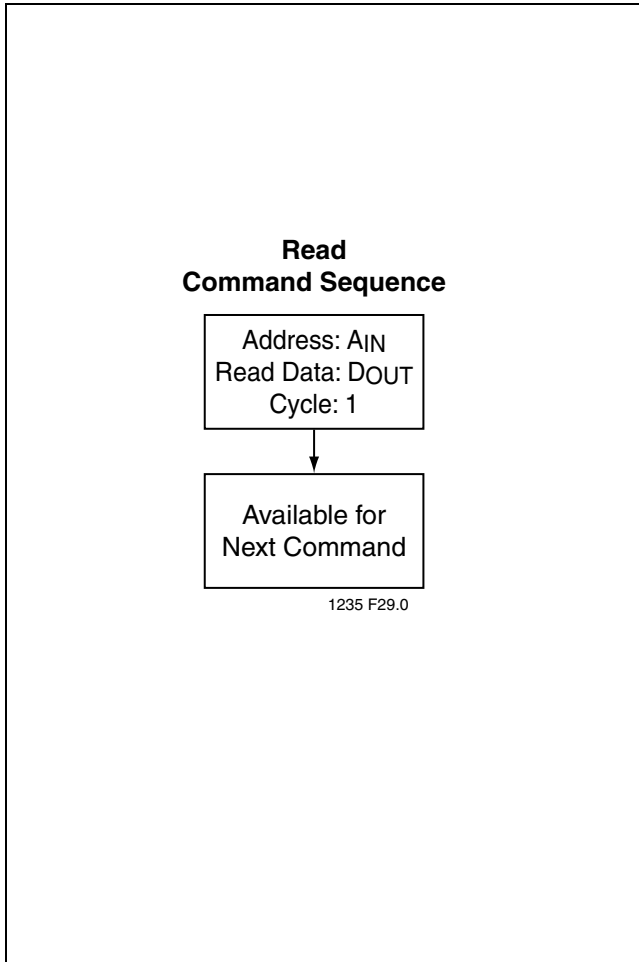


FIGURE 30: Read Flowchart (LPC Mode)

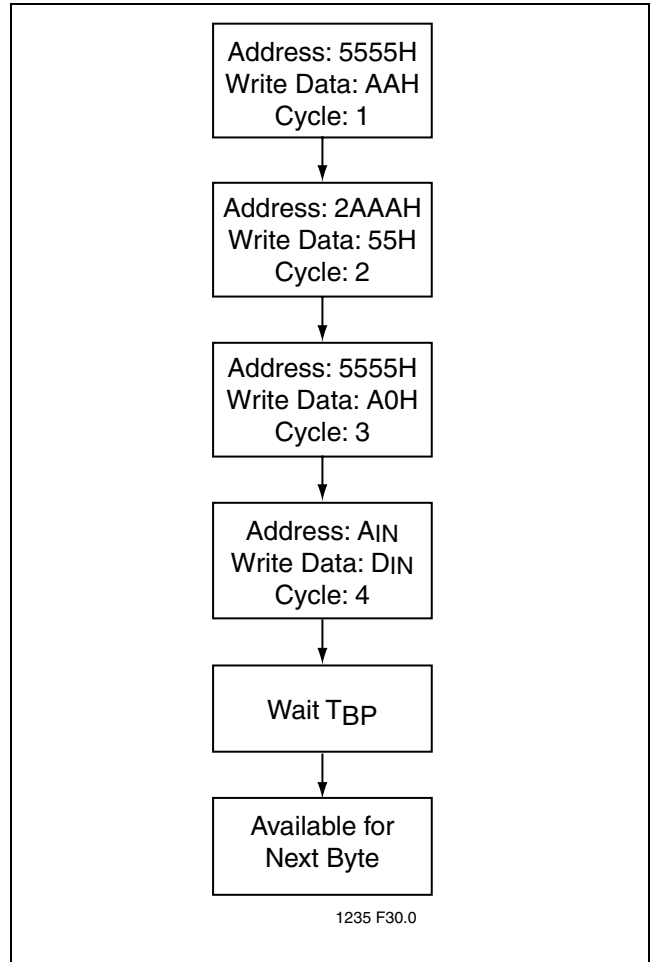
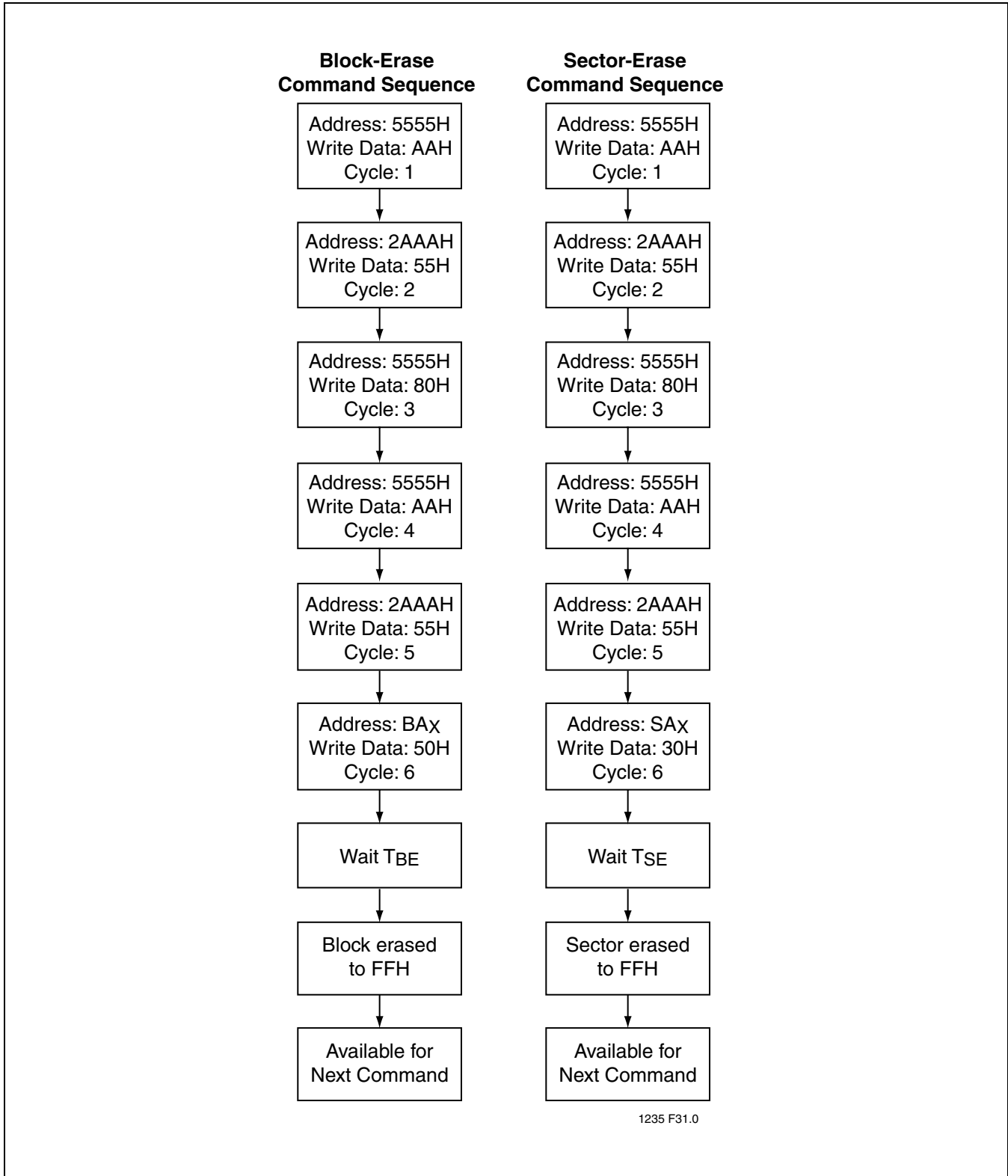


FIGURE 31: Byte-Program Flowchart (LPC Mode)



1235 F31.0

FIGURE 32: Erase Command Sequences Flowchart (LPC Mode)

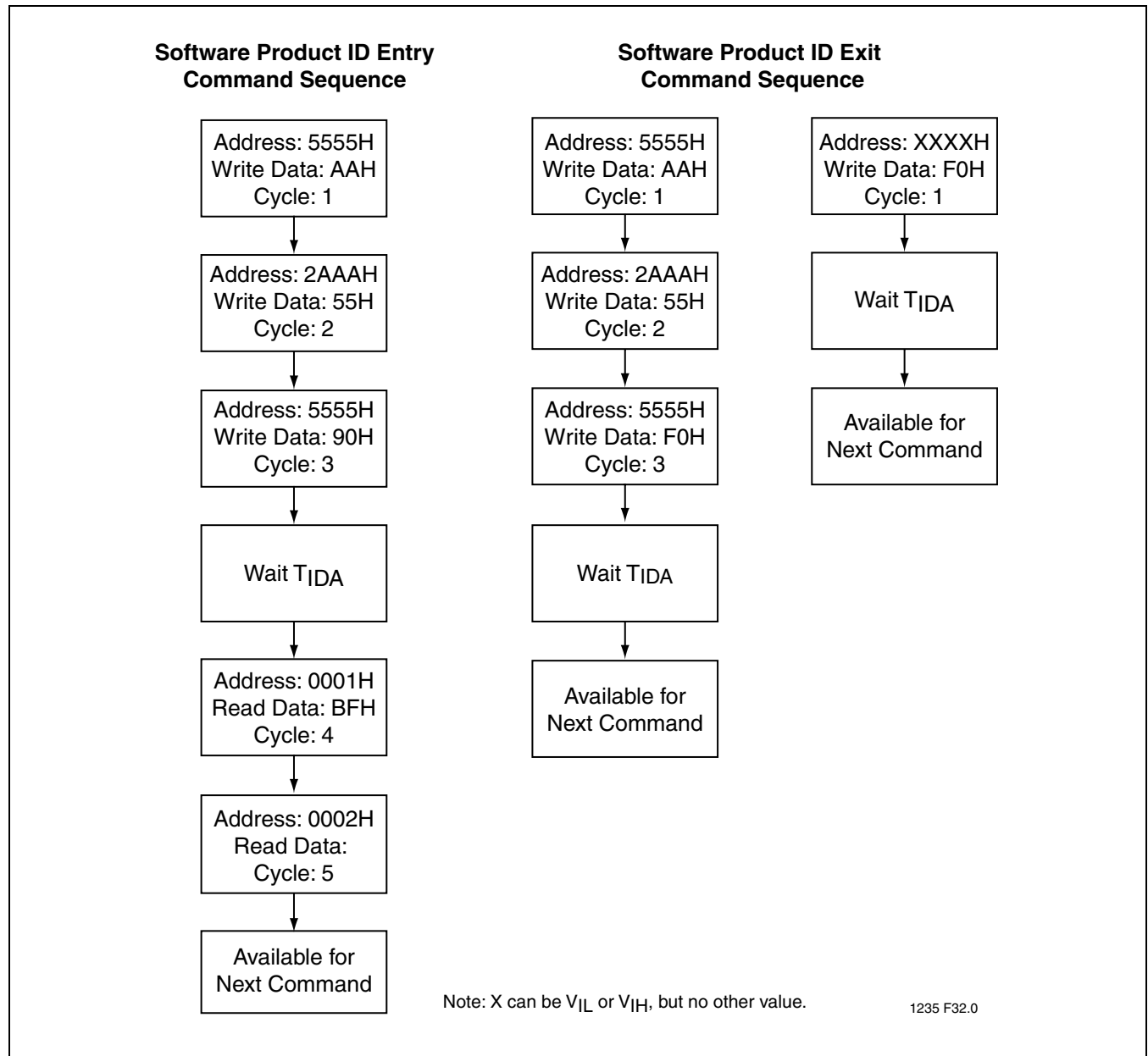


FIGURE 33: Software Product ID Command Sequences Flowchart (LPC Mode)

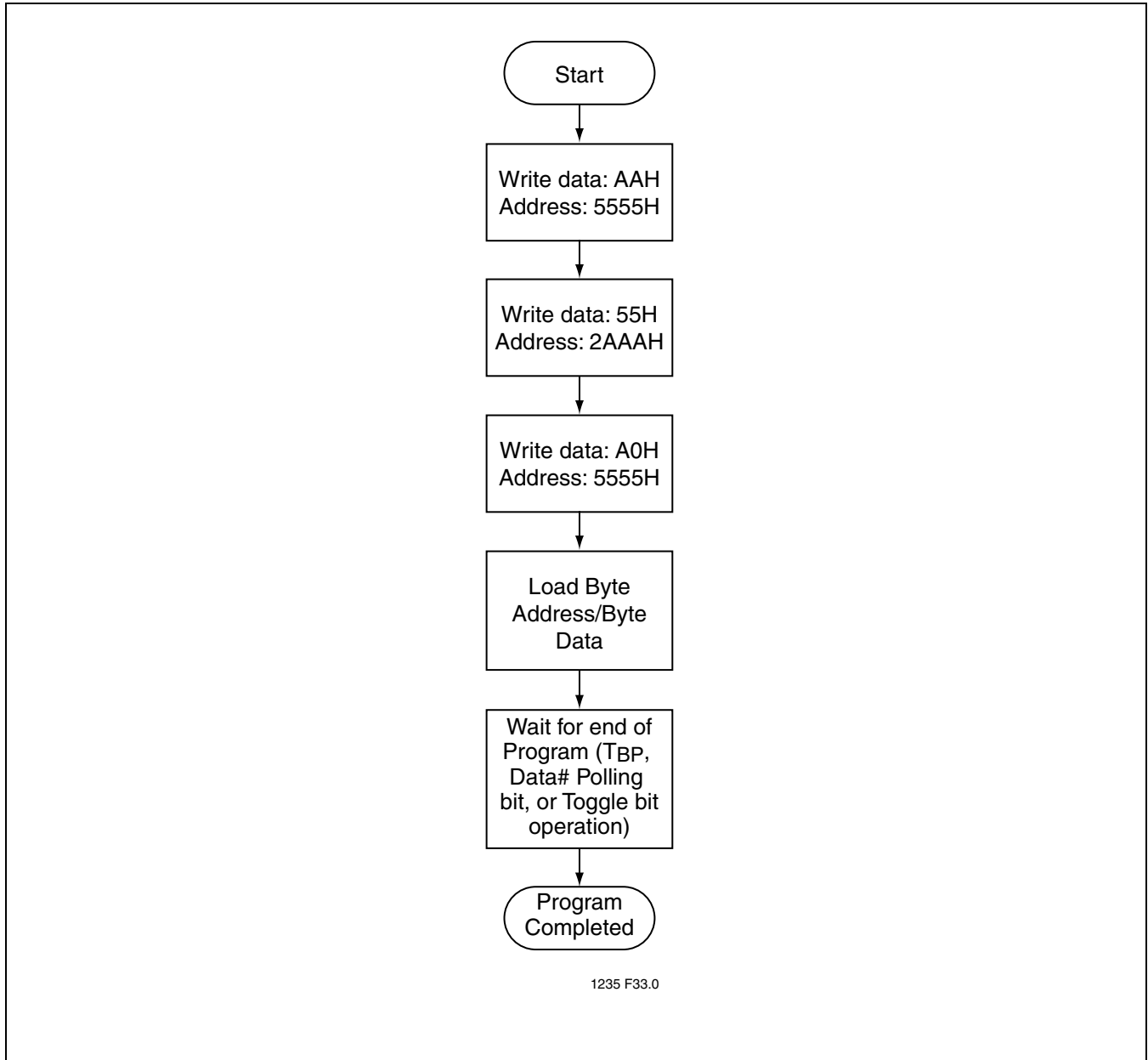


FIGURE 34: Byte-Program Command Sequences Flowchart (PP Mode)

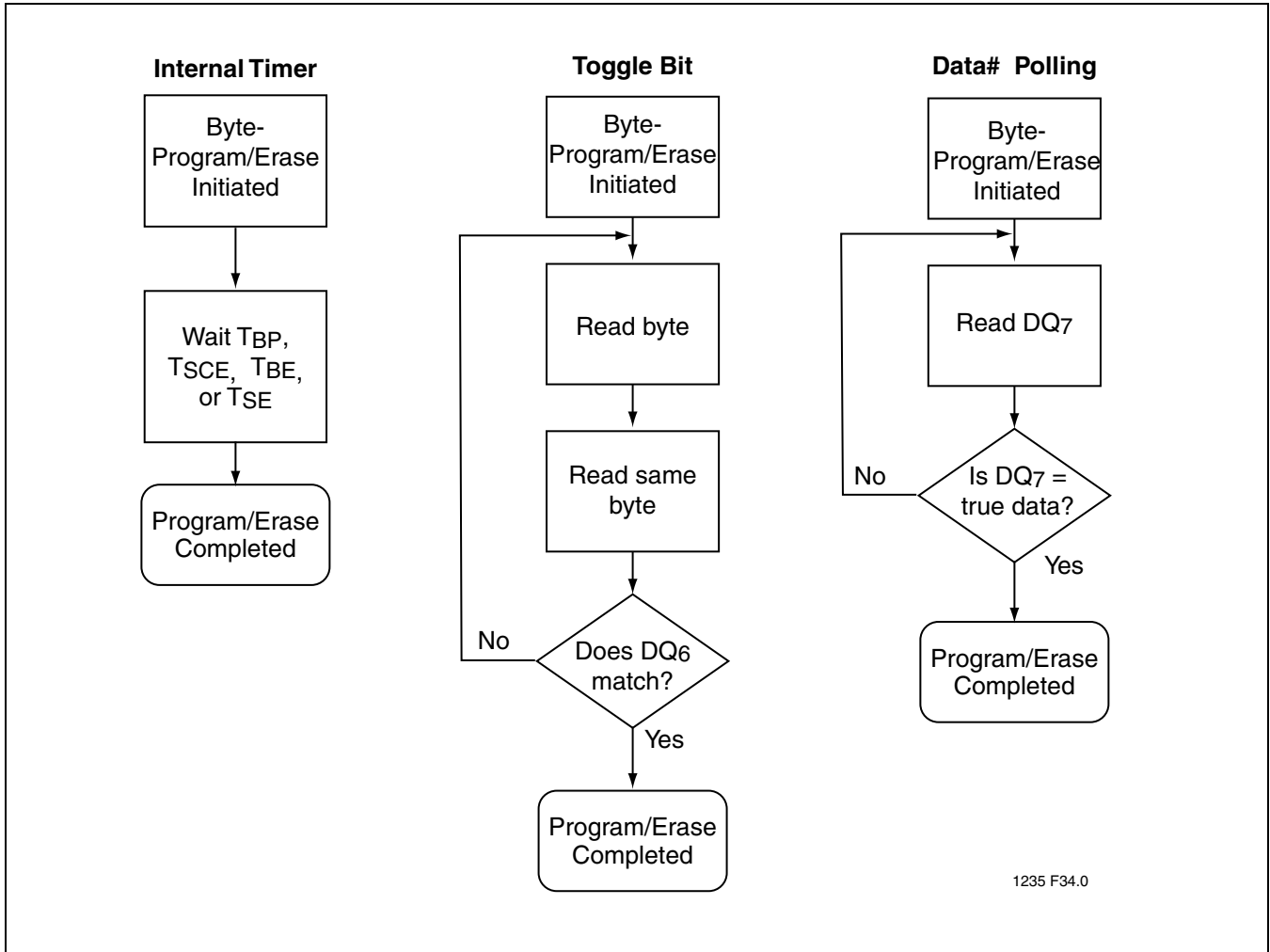


FIGURE 35: Wait Options Flowchart (PP Mode)

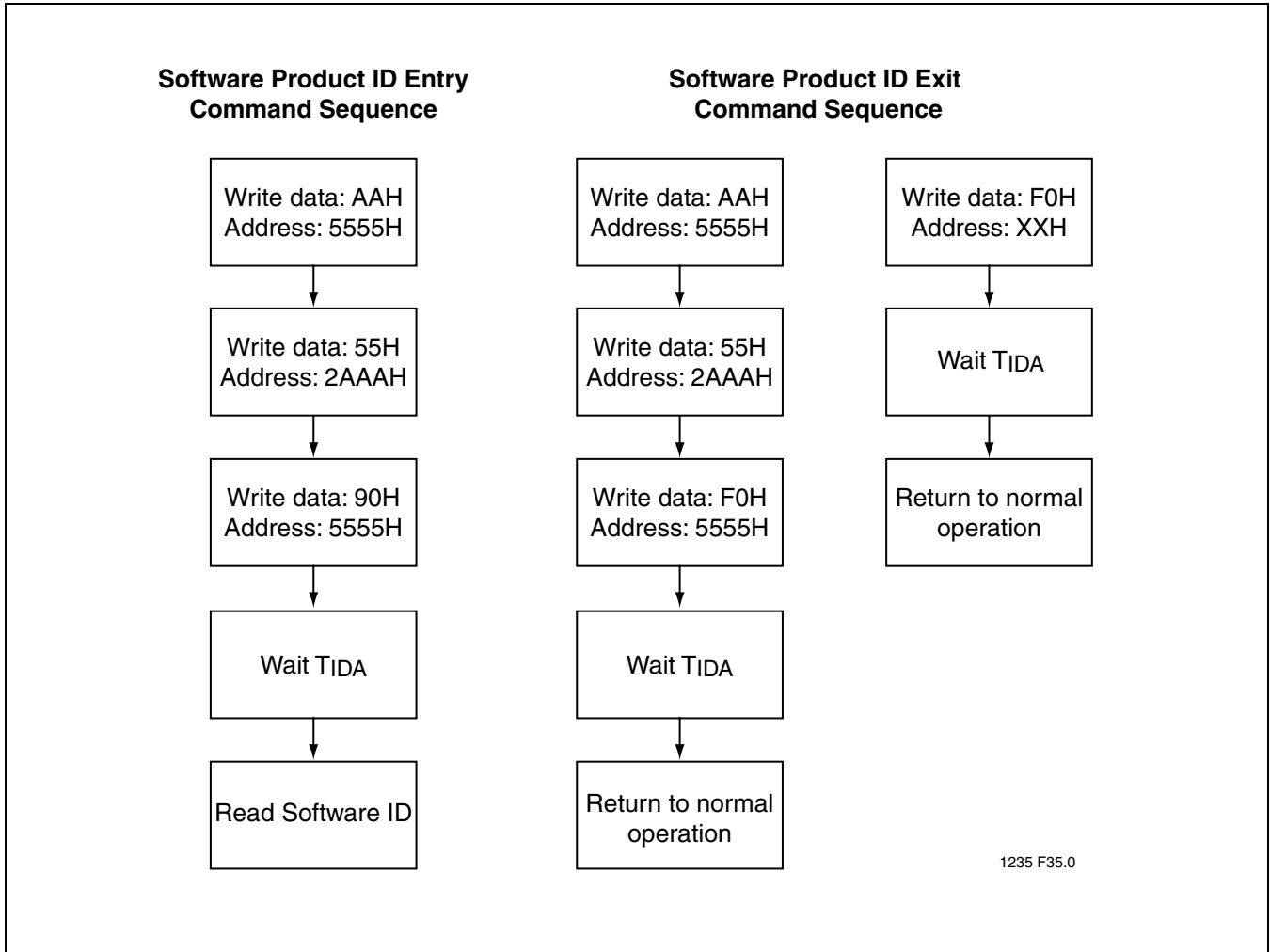


FIGURE 36: Software Product ID Command Sequences Flowchart (PP Mode)

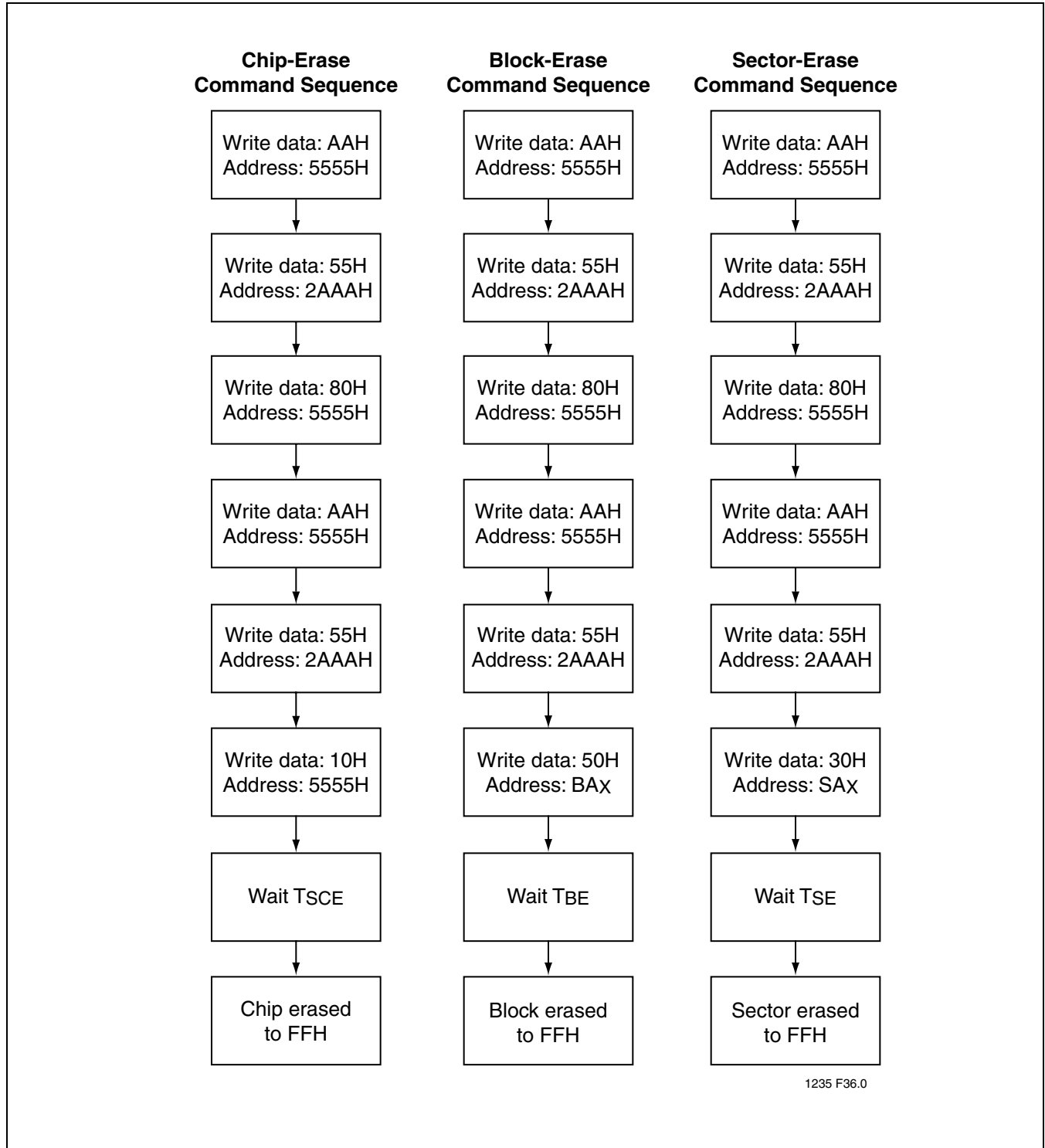
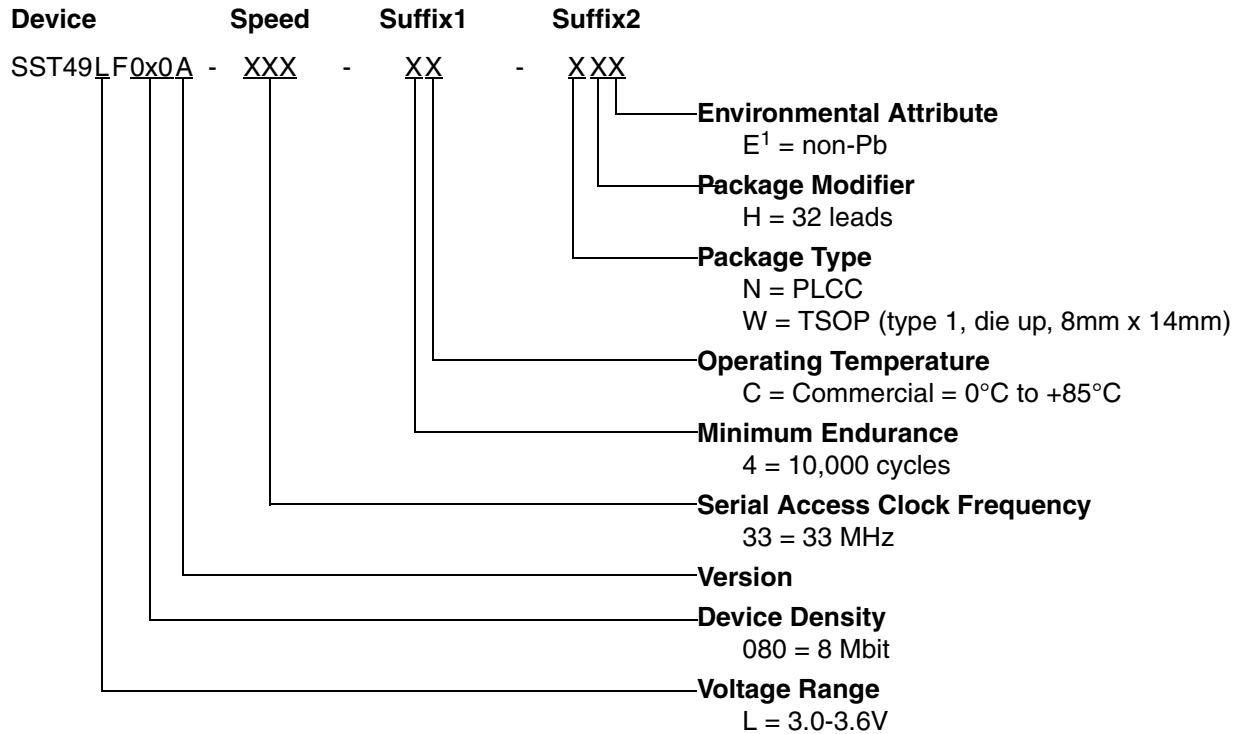


FIGURE 37: Erase Command Sequence Flowchart (PP Mode)



PRODUCT ORDERING INFORMATION



1. Environmental suffix "E" denotes non-Pb solder.
SST non-Pb solder devices are "RoHS Compliant".

Valid combinations for SST49LF080A

SST49LF080A-33-4C-WHE SST49LF080A-33-4C-NHE

Note: Valid combinations are those products in mass production or will be in mass production. Consult your SST sales representative to confirm availability of valid combinations and to determine availability of new combinations.



Data Sheet

PACKAGING DIAGRAMS

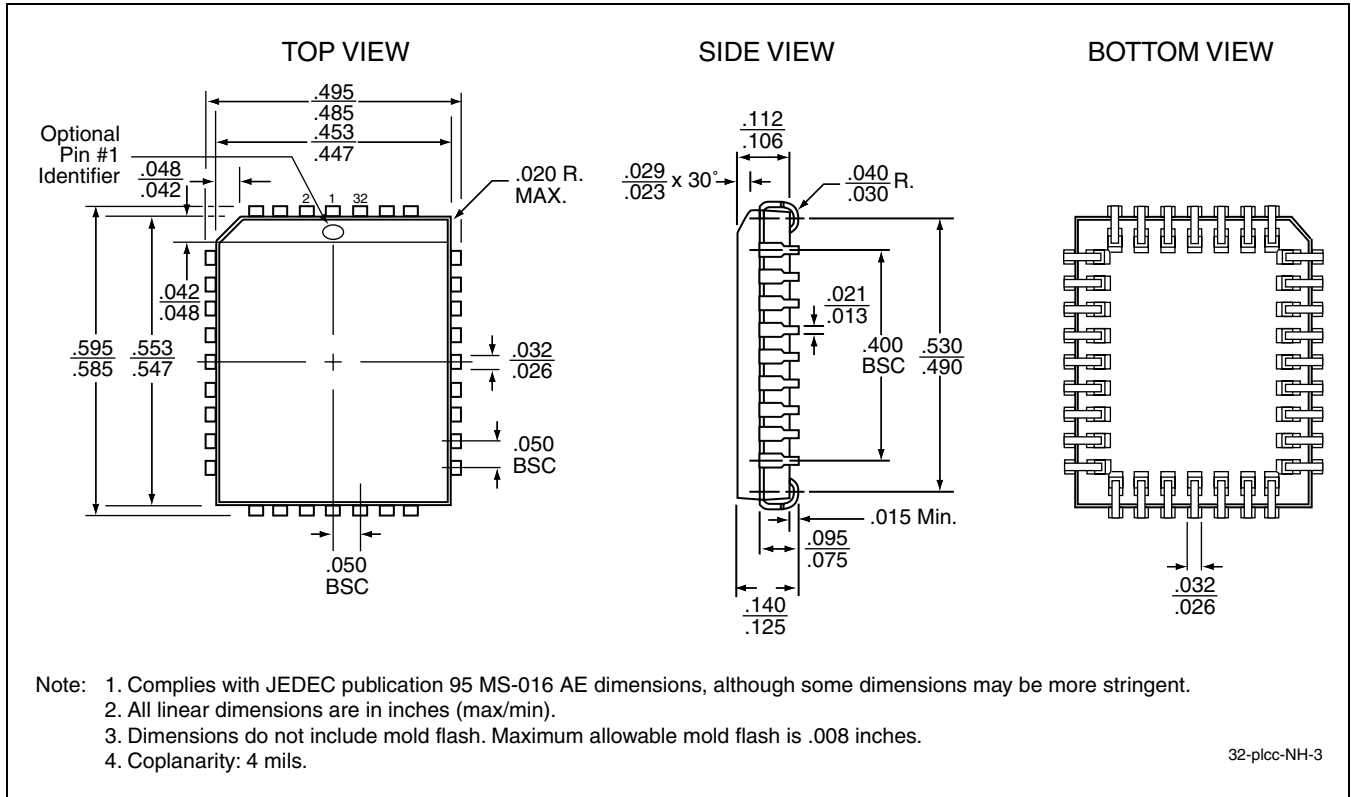
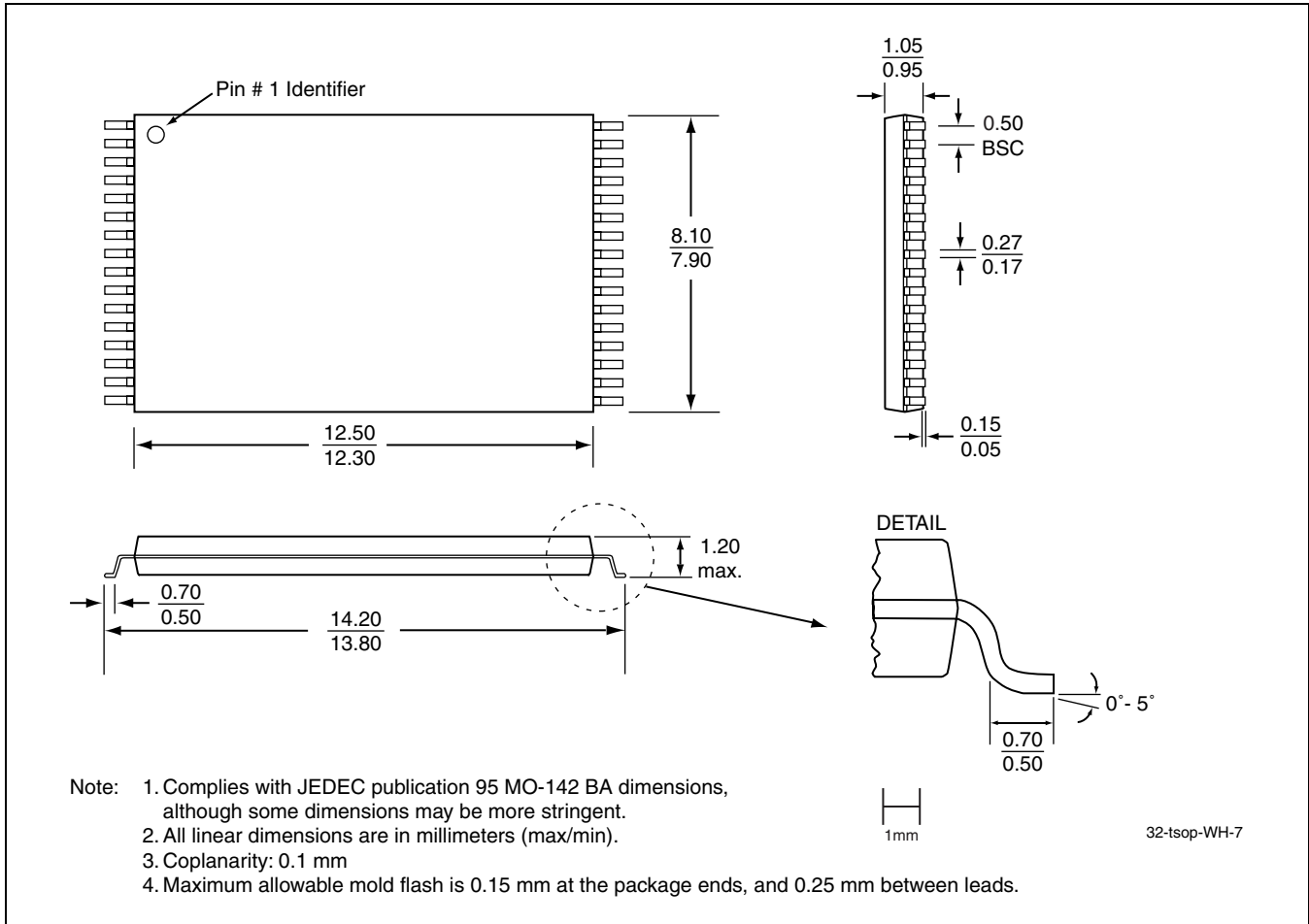


FIGURE 38: 32-lead Plastic Lead Chip Carrier (PLCC)
SST Package Code: NH



**FIGURE 39: 32-lead Thin Small Outline Package (TSOP) 8mm x 14mm
SST Package Code: WH**

TABLE 24: Revision History

Number	Description	Date
00	<ul style="list-style-type: none"> Initial release (SST49LF080A previously released in data sheet S71206) 	Apr 2003
01	<ul style="list-style-type: none"> Added statement that non-Pb devices are RoHS compliant to Features section Updated Surface Mount Solder Reflow Temperature information Added footnote to Product Ordering Information section Removed leaded part numbers 	Jan 2006
02	<ul style="list-style-type: none"> Updated Table 5 on page 12 	May 2006

X-ON Electronics

Largest Supplier of Electrical and Electronic Components

Click to view similar products for [NOR Flash](#) category:

Click to view products by [Microchip](#) manufacturer:

Other Similar products are found below :

[615309A](#) [MBM29F200TC-70PFTN-SFLE1](#) [MBM29F800BA-90PF-SFLE1](#) [8 611 200 906](#) [9990933135](#) [AM29BL162CB-80RDPE1](#)
[AM29F200BB-90DPI 1](#) [AT25DF021A-MHN-Y](#) [AT25DF256-SSHN-T](#) [EAN62691701](#) [MX29F200CTMI-70G](#) [PC28F320J3F75A](#) [8 905 959](#)
[252](#) [S29AL008J55BFIR20](#) [S29AL016J70FFI022](#) [S29AS016J70BHIF40](#) [S99-50389 P](#) [AM29F016D-120DPI 1](#) [AM29F400BB-55SI](#)
[MBM29F400BC-90PFVGTSFLE1](#) [MBM29F800BA-70PFTN-SFLE1](#) [AT25DF011-MAHN-T](#) [AT25DF011-SSHN-T](#) [AT25DF011-XMHN-T](#)
[AT25DF041B-MHN-Y](#) [AT45DB161E-CCUD-T](#) [RP-SDCCTH0](#) [S29GL256P11FFI012](#) [S29PL127J70BAI020](#) [S99-50052](#) [W29GL256SL9T](#)
[W29GL128CH9C](#) [W29GL128CH9B](#) [W29GL032CL7B](#) [MX25L3233FMI-08G](#) [S99-50243 P](#) [S29GL512T12TFN010](#) [S29GL512T10DHI020](#)
[S26KS128SDGBHI030](#) [S26KL256SDABHB030](#) [S26KL128SDABHB020](#) [PC28F640J3F75B](#) [W29GL256SH9C](#) [S99-50239](#)
[S29GL032N11FFIS12](#) [S26KS512SDABHB030](#) [S26KL256SDABHA020](#) [S25FS128SAGMFV100](#) [S25FS064SDSNFN030](#)
[S29AL016D90MAI020\(SPANSION\)](#)