

## 3.3V Dual Differential LVPECL-to-LVTTL Translator

### Features

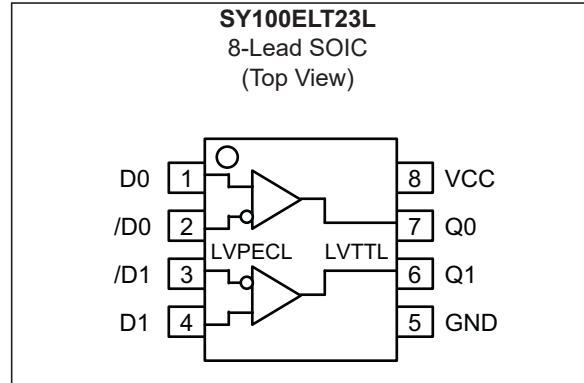
- 3.3V Power Supply
- 2.0 ns Typical Propagation Delay
- <300 ps Typical Within-Device Skew
- Differential LVPECL Inputs
- 24 mA LVTTL Outputs
- Flow-Through Pinouts
- Available in 8-Lead SOIC Package

### General Description

The SY100ELT23L is a dual differential LVPECL-to-LVTTL translator with +3.3V power supply. Because LVPECL (low voltage positive ECL) levels are used, only +3.3V and ground are required. The small outline 8-lead SOIC package and low skew, dual gate design make the ELT23L ideal for applications that require the translation of a clock or data signal.

The ELT23L is compatible with positive ECL 100K logic levels.

### Package Type



# SY100ELT23L

## 1.0 ELECTRICAL CHARACTERISTICS

### Absolute Maximum Ratings †

Power Supply Voltage ( $V_{CC}$ )	.....	-0.5V to +3.8V
PECL Input Voltage ( $V_{IN}$ )	.....	0V to $V_{CC}+0.5V$
Voltage Applied to Output at High State ( $V_{OUT}$ )	.....	-0.5V to $V_{CC}$
Current Applied to Output at Low State ( $I_{OUT}$ )	.....	Twice the Rated $I_{OL}$ in mA

† **Notice:** Permanent device damage can occur if absolute maximum ratings are exceeded. This is a stress rating only and functional operation is not implied at conditions other than those detailed in the operational sections of this data sheet. Exposure to absolute maximum rating conditions for extended periods may affect device reliability.

### LV TTL DC ELECTRICAL CHARACTERISTICS

Electrical Characteristics: $V_{CC} = +3.3V \pm 5\%$ ; Values valid from $-40^{\circ}C$ to $+85^{\circ}C$ unless otherwise noted.						
Parameter	Symbol	Min.	Typ.	Max.	Units	Conditions
Power Supply Current	$I_{CC}$	—	—	30	mA	—
Output High Voltage	$V_{OH}$	2.0	—	—	V	$I_{OH} = -3.0$ mA
Output Low Voltage	$V_{OL}$	—	—	0.5	V	$I_{OL} = 24$ mA
Output Short Circuit Current	$I_{OS}$	-240	—	-80	mA	$V_{OUT} = 0V$

### LV PECL DC ELECTRICAL CHARACTERISTICS

Electrical Characteristics: $V_{CC} = +3.3V \pm 5\%$ ; Values valid from $-40^{\circ}C$ to $+85^{\circ}C$ unless otherwise noted.						
Parameter	Symbol	Min.	Typ.	Max.	Units	Conditions
Input High Current	$I_{IH}$	—	—	150	$\mu A$	—
Input Low Current	$I_{IL}$	0.5	—	—	$\mu A$	—
Common Mode Range	$V_{CMR}$	1.5	—	$V_{CC}$	V	—
Input High Voltage	$V_{IH}$	2135	—	2420	mV	Note 1
Input Low Voltage	$V_{IL}$	1490	—	1825	mV	Note 1

**Note 1:** These values are for  $V_{CC} = 3.3V$ . Level specifications will vary 1:1  $V_{CC}$ .

## AC ELECTRICAL CHARACTERISTICS

Electrical Characteristics: $V_{CC} = +3.3V \pm 5\%$ ; Values valid from $-40^{\circ}C$ to $+85^{\circ}C$ unless otherwise noted.						
Parameter	Symbol	Min.	Typ.	Max.	Units	Condition
Maximum Input Frequency	$f_{MAX}$	160	—	—	MHz	$C_L = 20$ pF, <a href="#">Note 1</a> , <a href="#">Note 2</a>
Propagation Delay	$t_{PD}$	1.5	2.0	2.5	ns	$C_L = 20$ pF
Part-to-Part Skew	$t_{SKPP}$	—	—	0.5	ns	$C_L = 20$ pF, <a href="#">Note 3</a> , <a href="#">Note 6</a>
Within-Device Skew	$t_{SKEW++}$	—	—	0.3	ns	<a href="#">Note 4</a> , <a href="#">Note 6</a>
	$t_{SKEW--}$	—	—			<a href="#">Note 5</a> , <a href="#">Note 6</a>
Input Swing	$V_{PP}$	200	—	1000	mV	<a href="#">Note 7</a>
Output Rise/Fall Time (1.0V to 2.0V)	$t_r/t_f$	0.5	—	1.0	ns	$C_L = 20$ pF

- Note 1:** Frequency at which output levels will meet a 0.8V to 2.0V minimum swing.
- Note 2:** The  $f_{MAX}$  value is specified as the minimum guaranteed maximum frequency. Actual operational maximum frequency may be greater.
- Note 3:** Part-to-Part skew considering HIGH-to-HIGH transitions at common  $V_{CC}$  level
- Note 4:** Within-Device skew considering HIGH-to-HIGH transitions at common  $V_{CC}$  level.
- Note 5:** Within-Device skew considering LOW-to-LOW transitions at common  $V_{CC}$  level.
- Note 6:** All skew parameters are guaranteed, but not tested.
- Note 7:** Input swing for which AC parameters are guaranteed. 200 mV input guarantees full logic at output.

## TEMPERATURE SPECIFICATIONS [Note 1](#)

Parameters	Symbol	Min.	Typ.	Max.	Units	Conditions
<b>Temperature Ranges</b>						
Lead Temperature	—	—	—	+260	$^{\circ}C$	Soldering, 20 sec.
Ambient Operating Temperature	$T_A$	-40	—	+85	$^{\circ}C$	—
Storage Temperature	$T_S$	-65	—	+150	$^{\circ}C$	—

- Note 1:** The maximum allowable power dissipation is a function of ambient temperature, the maximum allowable junction temperature and the thermal resistance from junction to air (i.e.,  $T_A$ ,  $T_J$ ,  $\theta_{JA}$ ). Exceeding the maximum allowable power dissipation will cause the device operating junction temperature to exceed the maximum +150 $^{\circ}C$  rating. Sustained junction temperatures above +150 $^{\circ}C$  can impact the device reliability.

## TRUTH TABLE

D	/D	Q
L	H	L
H	L	H
Open	Open	L

# SY100ELT23L

---

## 2.0 PIN DESCRIPTIONS

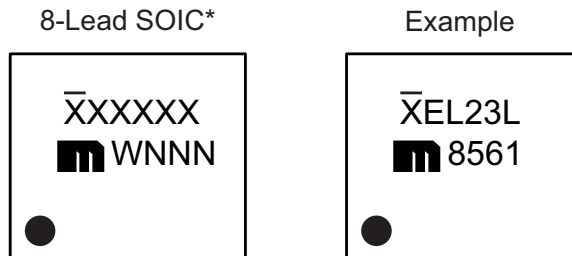
The descriptions of the pins are listed in [Table 2-1](#).

**TABLE 2-1: PIN FUNCTION TABLE**

Pin Number	Pin Name	Description
1, 2	D0, /D0	Differential LVPECL Inputs.
4, 3	D1, /D1	Differential LVPECL Inputs.
5	GND	Ground.
7, 6	Q0, /Q1	LVTTTL Outputs.
8	VCC	+3.3V Supply.

## 3.0 PACKAGING INFORMATION

### 3.1 Package Marking Information



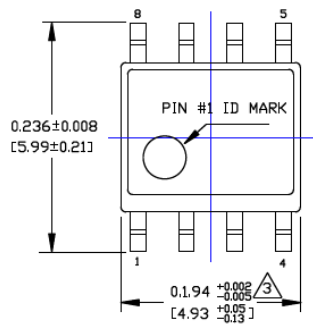
<b>Legend:</b>	XX...X	Product code or customer-specific information
	Y	Year code (last digit of calendar year)
	YY	Year code (last 2 digits of calendar year)
	WW	Week code (week of January 1 is week '01')
	NNN	Alphanumeric traceability code
	(e3)	Pb-free JEDEC <sup>®</sup> designator for Matte Tin (Sn)
	*	This package is Pb-free. The Pb-free JEDEC designator (e3) can be found on the outer packaging for this package.
	•, ▲, ▼	Pin one index is identified by a dot, delta up, or delta down (triangle mark).
<b>Note:</b>	In the event the full Microchip part number cannot be marked on one line, it will be carried over to the next line, thus limiting the number of available characters for customer-specific information. Package may or may not include the corporate logo.	
	Underbar ( _ ) and/or Overbar ( ¯ ) symbol may not be to scale.	

# SY100ELT23L

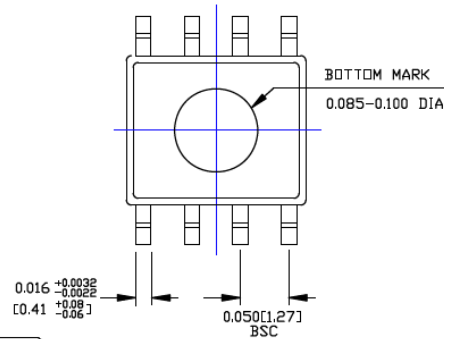
## TITLE

8 LEAD SOICN PACKAGE OUTLINE & RECOMMENDED LAND PATTERN

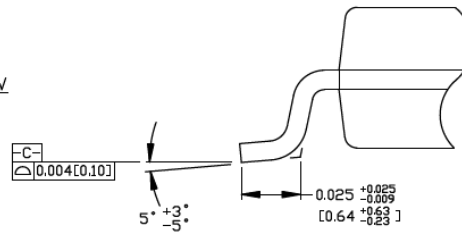
DRAWING #	SOICN-8LD-PL-1	UNIT	INCH [MM]
-----------	----------------	------	-----------



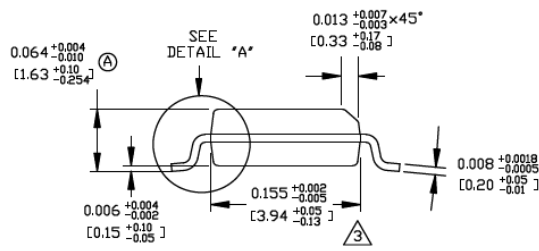
TOP VIEW



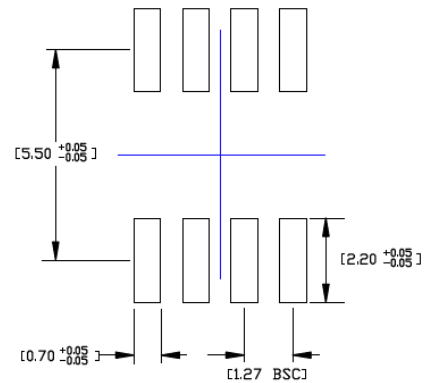
BOTTOM VIEW



DETAIL "A"



END VIEW



RECOMMENDED LAND PATTERN

### NOTES:

1. DIMENSIONS ARE IN INCHES[MM].
2. CONTROLLING DIMENSION: INCHES.
3. DIMENSION DOES NOT INCLUDE MOLD FLASH OR PROTRUSIONS, EITHER OF WHICH SHALL NOT EXCEED 0.010[0.25] PER SIDE.

Note: For the most current package drawings, please see the Microchip Packaging Specification located at <http://www.microchip.com/packaging>.

## APPENDIX A: REVISION HISTORY

### Revision A (August 2019)

- Converted Micrel document SY100ELT23L to Microchip data sheet DS20006236A.
- Minor text changes throughout.
- Removal of all reference to the discontinued SY10ELT23L.

### Revision B (July 2020)

- Updated description for Pins1 and 2.  
See [Table 2-1](#).

# SY100ELT23L

---

NOTES:



## PRODUCT IDENTIFICATION SYSTEM

To order or obtain information, e.g., on pricing or delivery, contact your local Microchip representative or sales office.

<u>Part No.</u>	<u>X</u>	<u>X</u>	<u>X</u>	<u>-XX</u>	<b>Examples:</b>
Device	Supply Voltage	Package	Temp. Range	Packing	
<b>Device:</b>	SY100ELT23: 3.3V Differential LVPECL-to-LVTTL Translator				a) SY100ELT23LZG: SY100ELT23, 3.3V Supply Voltage, 8-Lead SOIC, -40°C to +85°C Temperature Range, 95/Tube
<b>Supply Voltage:</b>	L	=	3.3V		b) SY100ELT23LZG-TR: SY100ELT23, 3.3V Supply Voltage, 8-Lead SOIC, -40°C to +85°C Temperature Range, 1,000/Reel
<b>Package:</b>	Z	=	8-Lead SOIC		<b>Note 1:</b> Tape and Reel identifier only appears in the catalog part number description. This identifier is used for ordering purposes and is not printed on the device package. Check with your Microchip Sales Office for package availability with the Tape and Reel option.
<b>Temperature Range:</b>	G	=	-40°C to +85°C (NiPdAu Lead-Free)		
<b>Tape and Reel:</b>	<blank>	=	95/Tube		
	TR	=	1,000/Reel		

# SY100ELT23L

---

NOTES:

---

---

**Note the following details of the code protection feature on Microchip devices:**

- Microchip products meet the specification contained in their particular Microchip Data Sheet.
- Microchip believes that its family of products is one of the most secure families of its kind on the market today, when used in the intended manner and under normal conditions.
- There are dishonest and possibly illegal methods used to breach the code protection feature. All of these methods, to our knowledge, require using the Microchip products in a manner outside the operating specifications contained in Microchip's Data Sheets. Most likely, the person doing so is engaged in theft of intellectual property.
- Microchip is willing to work with the customer who is concerned about the integrity of their code.
- Neither Microchip nor any other semiconductor manufacturer can guarantee the security of their code. Code protection does not mean that we are guaranteeing the product as “unbreakable.”

Code protection is constantly evolving. We at Microchip are committed to continuously improving the code protection features of our products. Attempts to break Microchip's code protection feature may be a violation of the Digital Millennium Copyright Act. If such acts allow unauthorized access to your software or other copyrighted work, you may have a right to sue for relief under that Act.

---

Information contained in this publication regarding device applications and the like is provided only for your convenience and may be superseded by updates. It is your responsibility to ensure that your application meets with your specifications. MICROCHIP MAKES NO REPRESENTATIONS OR WARRANTIES OF ANY KIND WHETHER EXPRESS OR IMPLIED, WRITTEN OR ORAL, STATUTORY OR OTHERWISE, RELATED TO THE INFORMATION, INCLUDING BUT NOT LIMITED TO ITS CONDITION, QUALITY, PERFORMANCE, MERCHANTABILITY OR FITNESS FOR PURPOSE. Microchip disclaims all liability arising from this information and its use. Use of Microchip devices in life support and/or safety applications is entirely at the buyer's risk, and the buyer agrees to defend, indemnify and hold harmless Microchip from any and all damages, claims, suits, or expenses resulting from such use. No licenses are conveyed, implicitly or otherwise, under any Microchip intellectual property rights unless otherwise stated.

### Trademarks

The Microchip name and logo, the Microchip logo, Adaptec, AnyRate, AVR, AVR logo, AVR Freaks, BesTime, BitCloud, chipKIT, chipKIT logo, CryptoMemory, CryptoRF, dsPIC, FlashFlex, flexPWR, HELDO, IGLOO, JukeBlox, KeeLoq, Klear, LANCheck, LinkMD, maXStylus, maXTouch, MediaLB, megaAVR, Microsemi, Microsemi logo, MOST, MOST logo, MPLAB, OptoLyzer, PackeTime, PIC, picoPower, PICSTART, PIC32 logo, PolarFire, Prochip Designer, QTouch, SAM-BA, SenGenuity, SpyNIC, SST, SST Logo, SuperFlash, Symmetricom, SyncServer, Tachyon, TempTracker, TimeSource, tinyAVR, UNI/O, Vectron, and XMEGA are registered trademarks of Microchip Technology Incorporated in the U.S.A. and other countries.

APT, ClockWorks, The Embedded Control Solutions Company, EtherSynch, FlashTec, Hyper Speed Control, HyperLight Load, IntelliMOS, Libero, motorBench, mTouch, Powermite 3, Precision Edge, ProASIC, ProASIC Plus, ProASIC Plus logo, Quiet-Wire, SmartFusion, SyncWorld, Temux, TimeCesium, TimeHub, TimePictra, TimeProvider, Vite, WinPath, and ZL are registered trademarks of Microchip Technology Incorporated in the U.S.A.

Adjacent Key Suppression, AKS, Analog-for-the-Digital Age, Any Capacitor, AnyIn, AnyOut, BlueSky, BodyCom, CodeGuard, CryptoAuthentication, CryptoAutomotive, CryptoCompanion, CryptoController, dsPICDEM, dsPICDEM.net, Dynamic Average Matching, DAM, ECAN, EtherGREEN, In-Circuit Serial Programming, ICSP, INICnet, Inter-Chip Connectivity, JitterBlocker, KlearNet, KlearNet logo, memBrain, Mindi, MiWi, MPASM, MPF, MPLAB Certified logo, MPLIB, MPLINK, MultiTRAK, NetDetach, Omniscient Code Generation, PICDEM, PICDEM.net, PICkit, PICtail, PowerSmart, PureSilicon, QMatrix, REAL ICE, Ripple Blocker, SAM-ICE, Serial Quad I/O, SMART-I.S., SQI, SuperSwitcher, SuperSwitcher II, Total Endurance, TSHARC, USBCheck, VariSense, ViewSpan, WiperLock, Wireless DNA, and ZENA are trademarks of Microchip Technology Incorporated in the U.S.A. and other countries.

SQTP is a service mark of Microchip Technology Incorporated in the U.S.A.

The Adaptec logo, Frequency on Demand, Silicon Storage Technology, and Symmcom are registered trademarks of Microchip Technology Inc. in other countries.

GestIC is a registered trademark of Microchip Technology Germany II GmbH & Co. KG, a subsidiary of Microchip Technology Inc., in other countries.

All other trademarks mentioned herein are property of their respective companies.

© 2019 - 2020, Microchip Technology Incorporated, All Rights Reserved.

ISBN: 978-1-5224-6461-7

For information regarding Microchip's Quality Management Systems, please visit [www.microchip.com/quality](http://www.microchip.com/quality).



# MICROCHIP

## Worldwide Sales and Service

### AMERICAS

**Corporate Office**  
2355 West Chandler Blvd.  
Chandler, AZ 85224-6199  
Tel: 480-792-7200  
Fax: 480-792-7277  
Technical Support:  
<http://www.microchip.com/support>  
Web Address:  
[www.microchip.com](http://www.microchip.com)

#### Atlanta

Duluth, GA  
Tel: 678-957-9614  
Fax: 678-957-1455

#### Austin, TX

Tel: 512-257-3370

#### Boston

Westborough, MA  
Tel: 774-760-0087  
Fax: 774-760-0088

#### Chicago

Itasca, IL  
Tel: 630-285-0071  
Fax: 630-285-0075

#### Dallas

Addison, TX  
Tel: 972-818-7423  
Fax: 972-818-2924

#### Detroit

Novi, MI  
Tel: 248-848-4000

#### Houston, TX

Tel: 281-894-5983

#### Indianapolis

Noblesville, IN  
Tel: 317-773-8323  
Fax: 317-773-5453  
Tel: 317-536-2380

#### Los Angeles

Mission Viejo, CA  
Tel: 949-462-9523  
Fax: 949-462-9608  
Tel: 951-273-7800

#### Raleigh, NC

Tel: 919-844-7510

#### New York, NY

Tel: 631-435-6000

#### San Jose, CA

Tel: 408-735-9110  
Tel: 408-436-4270

#### Canada - Toronto

Tel: 905-695-1980  
Fax: 905-695-2078

### ASIA/PACIFIC

**Australia - Sydney**  
Tel: 61-2-9868-6733

**China - Beijing**  
Tel: 86-10-8569-7000

**China - Chengdu**  
Tel: 86-28-8665-5511

**China - Chongqing**  
Tel: 86-23-8980-9588

**China - Dongguan**  
Tel: 86-769-8702-9880

**China - Guangzhou**  
Tel: 86-20-8755-8029

**China - Hangzhou**  
Tel: 86-571-8792-8115

**China - Hong Kong SAR**  
Tel: 852-2943-5100

**China - Nanjing**  
Tel: 86-25-8473-2460

**China - Qingdao**  
Tel: 86-532-8502-7355

**China - Shanghai**  
Tel: 86-21-3326-8000

**China - Shenyang**  
Tel: 86-24-2334-2829

**China - Shenzhen**  
Tel: 86-755-8864-2200

**China - Suzhou**  
Tel: 86-186-6233-1526

**China - Wuhan**  
Tel: 86-27-5980-5300

**China - Xian**  
Tel: 86-29-8833-7252

**China - Xiamen**  
Tel: 86-592-2388138

**China - Zhuhai**  
Tel: 86-756-3210040

### ASIA/PACIFIC

**India - Bangalore**  
Tel: 91-80-3090-4444

**India - New Delhi**  
Tel: 91-11-4160-8631

**India - Pune**  
Tel: 91-20-4121-0141

**Japan - Osaka**  
Tel: 81-6-6152-7160

**Japan - Tokyo**  
Tel: 81-3-6880-3770

**Korea - Daegu**  
Tel: 82-53-744-4301

**Korea - Seoul**  
Tel: 82-2-554-7200

**Malaysia - Kuala Lumpur**  
Tel: 60-3-7651-7906

**Malaysia - Penang**  
Tel: 60-4-227-8870

**Philippines - Manila**  
Tel: 63-2-634-9065

**Singapore**  
Tel: 65-6334-8870

**Taiwan - Hsin Chu**  
Tel: 886-3-577-8366

**Taiwan - Kaohsiung**  
Tel: 886-7-213-7830

**Taiwan - Taipei**  
Tel: 886-2-2508-8600

**Thailand - Bangkok**  
Tel: 66-2-694-1351

**Vietnam - Ho Chi Minh**  
Tel: 84-28-5448-2100

### EUROPE

**Austria - Wels**  
Tel: 43-7242-2244-39  
Fax: 43-7242-2244-393

**Denmark - Copenhagen**  
Tel: 45-4485-5910  
Fax: 45-4485-2829

**Finland - Espoo**  
Tel: 358-9-4520-820

**France - Paris**  
Tel: 33-1-69-53-63-20  
Fax: 33-1-69-30-90-79

**Germany - Garching**  
Tel: 49-8931-9700

**Germany - Haan**  
Tel: 49-2129-3766400

**Germany - Heilbronn**  
Tel: 49-7131-72400

**Germany - Karlsruhe**  
Tel: 49-721-625370

**Germany - Munich**  
Tel: 49-89-627-144-0  
Fax: 49-89-627-144-44

**Germany - Rosenheim**  
Tel: 49-8031-354-560

**Israel - Ra'anana**  
Tel: 972-9-744-7705

**Italy - Milan**  
Tel: 39-0331-742611  
Fax: 39-0331-466781

**Italy - Padova**  
Tel: 39-049-7625286

**Netherlands - Drunen**  
Tel: 31-416-690399  
Fax: 31-416-690340

**Norway - Trondheim**  
Tel: 47-7288-4388

**Poland - Warsaw**  
Tel: 48-22-3325737

**Romania - Bucharest**  
Tel: 40-21-407-87-50

**Spain - Madrid**  
Tel: 34-91-708-08-90  
Fax: 34-91-708-08-91

**Sweden - Gothenberg**  
Tel: 46-31-704-60-40

**Sweden - Stockholm**  
Tel: 46-8-5090-4654

**UK - Wokingham**  
Tel: 44-118-921-5800  
Fax: 44-118-921-5820

## X-ON Electronics

Largest Supplier of Electrical and Electronic Components

*Click to view similar products for [Translation - Voltage Levels](#) category:*

*Click to view products by [Microchip](#) manufacturer:*

Other Similar products are found below :

[NLSX4373DMR2G](#) [NLSX5012MUTAG](#) [NLSX0102FCT2G](#) [NLSX4302EBMUTCG](#) [PCA9306FMUTAG](#) [MC100EPT622MNG](#)  
[NLSX5011MUTCG](#) [NLV9306USG](#) [NLVSVX4014MUTAG](#) [NLSV4T3144MUTAG](#) [NLVSVX4373MUTAG](#) [MAX3371ELT+T](#)  
[NLSX3013BFCT1G](#) [NLV7WBD3125USG](#) [NLSX3012DMR2G](#) [74AVCH1T45FZ4-7](#) [NLVSV1T244MUTBG](#) [74AVC1T45GS-Q100H](#)  
[CLVC16T245MDGGREP](#) [MC10H124FNG](#) [CAVCB164245MDGGREP](#) [CD40109BPWR](#) [MC10H350FNG](#) [MC10H125FNG](#)  
[MC100EPT21MNR4G](#) [MC100EP91DWG](#) [NLSV2T244MUTAG](#) [NLSX3013FCT1G](#) [NLSX5011AMX1TCG](#) [PCA9306USG](#)  
[SN74GTL1655DGGR](#) [SN74AVCA406LZQSR](#) [NLSX4014DTR2G](#) [NLSX3018DTR2G](#) [LTC1045CN#PBF](#) [SY100EL92ZG](#)  
[74AXP1T34GMH](#) [74AXP1T34GNH](#) [LSF0204DPWR](#) [PI4ULS3V204LE](#) [ADG3245BRUZ-REEL7](#) [ADG3123BRUZ](#) [ADG3245BRUZ](#)  
[ADG3246BCPZ](#) [ADG3308BCPZ-REEL](#) [ADG3233BRJZ-REEL7](#) [ADG3233BRMZ](#) [ADG3242BRJZ-REEL7](#) [ADG3243BRJZ-REEL7](#)  
[ADG3245BCPZ](#)