

3.3V LVTTTL-to-Differential LVPECL and Differential LVPECL-to-LVTTTL Translator

Features

- 3.3V $\pm 10\%$ Power Supply
- Guaranteed AC Parameters over Temperature:
 $f_{MAX} > 275$ MHz (LVTTTL)
- < 2.5 ns LVPECL-to-LVTTTL Propagation Delay
- < 600 ps LVTTTL-to-LVPECL Propagation Delay
- Industrial Temperature Range: -40°C to $+85^{\circ}\text{C}$
- Available in 8-Lead MSOP and SOIC packages

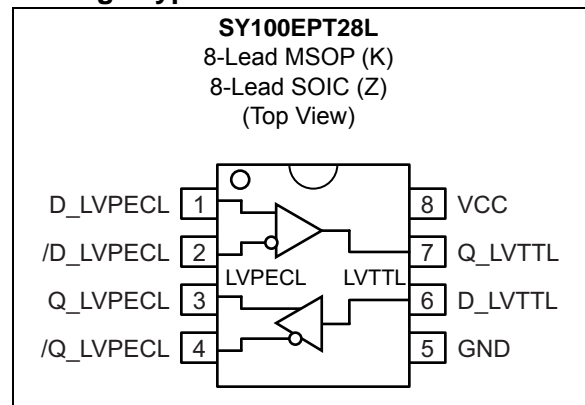
General Description

The SY100EPT28L is a differential LVPECL-to-LVTTTL translator and an LVTTTL-to-differential LVPECL translator in a single package. Because LVPECL (Positive ECL) levels are used, only +3.3V and ground are required. The small outline 8-pin package and the dual translation design of the EPT28L makes it ideal for applications that are sending and receiving signals across a backplane.

Under open input conditions, the $/D_LVPECL$ input will be biased at $V_{CC}/2$ and the D_LVPECL input will be pulled to GND. This condition will force the Q_LVTTTL to a low, ensuring stability.

The 100k series includes temperature compensation. Thus, logic levels are constant over temperature.

Package Types



SY100EPT28L

1.0 ELECTRICAL CHARACTERISTICS

Absolute Maximum Ratings †

Power Supply Voltage (V_{CC})	-0.5V to +3.8V
Input Voltage (V_{IN})	0V to V_{CC}
LVPECL Output Current (Continuous)	50 mA
LVPECL Output Current (Surge)	100 mA
Lead Temperature (Soldering, 5 sec.)	+260°C
Storage Temperature (T_S)	-65°C to +150°C

Operating Ratings ††

Supply Voltage Range (V_{CC})	+3.0V to +3.6V
Operating Temperature Range (T_A)	-40°C to +85°C
Package Thermal Resistance		
SOIC 8-Ld, Still-Air (θ_{JA})	160°C/W
SOIC 8-Ld, 500 lfpm (θ_{JA})	109°C/W
SOIC 8-Ld (θ_{JC})	39°C/W
MSOP 8-Ld, Still-Air (θ_{JA})	206°C/W
MSOP 8-Ld, 500 lfpm (θ_{JA})	155°C/W
MSOP 8-Ld (θ_{JC})	39°C/W

† **Notice:** Stresses above those listed under “Absolute Maximum Ratings” may cause permanent damage to the device. This is a stress rating only and functional operation of the device at those or any other conditions above those indicated in the operational sections of this specification is not intended. Exposure to maximum rating conditions for extended periods may affect device reliability.

†† **Notice:** The device is not guaranteed to function outside its operating ratings.

TABLE 1-1: DC ELECTRICAL CHARACTERISTICS (Note 1)

Parameter	Symbol	Min.	Typ.	Max.	Units	Conditions
Power Supply Current	I _{CC}	—	20	40	mA	T _A = -40°C
		—	22	40		T _A = +25°C
		—	25	40		T _A = +85°C

Note 1: The circuit is designed to meet the DC specifications shown in the above table after thermal equilibration has been established. The circuit is in a test socket or mounted on a PCB and transverse airflow greater than 500 lfpm is maintained.

TABLE 1-2: LVPECL DC ELECTRICAL CHARACTERISTICS (Note 1)

Electrical Characteristics: V_{CC} = 3.0V to 3.6V; T_A = -40°C to +85°C unless noted.

Parameter	Symbol	Min.	Typ.	Max.	Units	Conditions
Output High Voltage	V _{OH}	V _{CC} - 1.145	V _{CC} - 1.020	V _{CC} - 0.895	V	50Ω to V _{CC} - 2.0V
Output Low Voltage	V _{OL}	V _{CC} - 1.945	V _{CC} - 1.820	V _{CC} - 1.695	V	50Ω to V _{CC} - 2.0V
Input High Voltage (Single-Ended)	V _{IH}	V _{CC} - 1.225	—	V _{CC} - 0.880	V	—
Input Low Voltage (Single-Ended)	V _{IL}	V _{CC} - 1.945	—	V _{CC} - 1.625	V	—
Common Mode Range	V _{IHCMR}	1.2	—	V _{CC}	μA	Note 2
Input High Current	I _{IH}	—	—	150	μA	D, /D
Input Low Current	C _{IN}	0.5	—	—	μA	D, V _{IN} = V _{IL(MIN)} /D
		-150	—	—		

Note 1: The circuit is designed to meet the DC specifications shown in the above table after thermal equilibration has been established. The circuit is in a test socket or mounted on a PCB and transverse airflow greater than 500 lfpm is maintained.

2: The CMR range is referenced to the most positive side of the differential input voltage.

TABLE 1-3: LVTTTL DC ELECTRICAL CHARACTERISTICS (Note 1)

Electrical Characteristics: V_{CC} = 3.0V to 3.6V; T_A = -40°C to +85°C unless noted.

Parameter	Symbol	Min.	Typ.	Max.	Units	Conditions
Output High Voltage	V _{OH}	2.0	—	—	V	I _{OH} = -3 mA
Output Low Voltage	V _{OL}	—	—	0.5	V	I _{OL} = 24 mA
Input High Voltage	V _{IH}	2.0	—	—	V	—
Input Low Voltage	V _{IL}	—	—	0.8	V	—
Input Clamp Voltage	V _{IK}	-1.2	—	—	V	I _{IK} = -18 mA
Input High Current	I _{IH}	—	—	20	μA	V _{IN} = 2.7V
		—	—	100		V _{IN} = V _{CC}
Input Low Current	I _{IL}	-0.2	—	—	μA	V _{IN} = 0.5V
LVTTTL Output Short Circuit Current	I _{OUT}	-275	—	-80	mA	V _{OUT} = 0V
Input Capacitance	C _{IN}	—	0.75	—	pF	SOIC, T _A = +25°C
		—	1.1	—		MSOP, T _A = +25°C

Note 1: The circuit is designed to meet the DC specifications shown in the above table after thermal equilibration has been established. The circuit is in a test socket or mounted on a PCB and transverse airflow greater than 500 lfpm is maintained.

SY100EPT28L

TABLE 1-4: AC ELECTRICAL CHARACTERISTICS

Electrical Characteristics: $V_{CC} = 3.0V$ to $3.6V$; $T_A = -40^{\circ}C$ to $+85^{\circ}C$ unless noted.

Parameter	Symbol	Min.	Typ.	Max.	Units	Conditions
Maximum Frequency	f_{MAX}	700	—	—	MHz	LVPECL, Output Toggle Freq.
		275	350	—		LVTTL, Output Toggle Freq.
Propagation Delay D_LVPECL to Q_LVTTL	t_{PLH}, t_{PHL}	1.5	—	2.5	ns	$C_L = 20$ pF
Propagation Delay Q_LVTTL to D_LVPECL		100	400	600	ps	50Ω to $V_{CC} - 2.0V$
LVPECL Input Voltage Swing (Single-Ended)	V_{PP}	100	—	—	mV	Note 1
LVPECL Output Rise/Fall Times (20% to 80%)	t_r/t_f	200	—	500	ns	50Ω to $V_{CC} - 2.0V$
LVTTL Output Rise/Fall Times (20% to 80%)		0.5	—	1.0		$C_L = 20$ pF
Duty Cycle	t_{DC}	45	50	55	%	—
Cycle-to-Cycle Jitter (RMS)	t_{JITTER}	—	0.2	<1	ps _{RMS}	—

Note 1: $V_{PP(MIN)}$ is the minimum input swing for which AC parameters are guaranteed.

Termination Recommendations

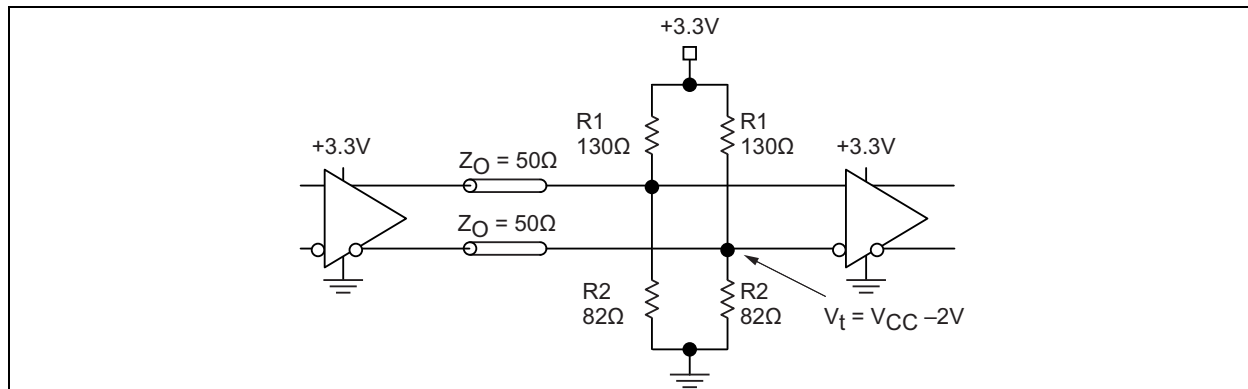


FIGURE 1-1: LVPECL Parallel Termination – Thevenin Equivalent.

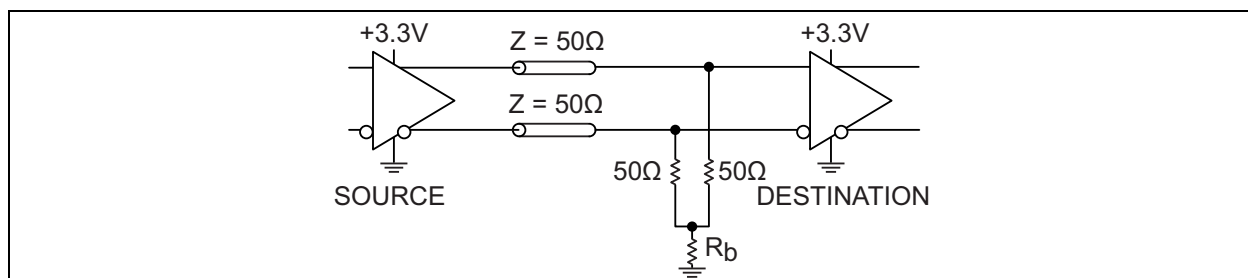


FIGURE 1-2: LVPECL Three-Resistor “Y Termination”.

Figure 1-2 is a power-saving alternative to four-resistor, Thevenin termination. Place termination resistors as close to the destination inputs as possible. The R_b resistor sets the DC voltage, equal to V_t . For 3.3V supply, R_b is between 46Ω and 50Ω.

2.0 PIN DESCRIPTIONS

The descriptions of the pins are listed in [Table 2-1](#).

TABLE 2-1: PIN FUNCTION TABLE

Pin Number	Pin Name	Description
1, 2	D_LVPECL, /D_LVPECL	Low Voltage Differential PECL Inputs. D_LVPECL with 75 k Ω internal pull-down, /D_LVPECL with 75 k Ω internal pull-down and pull-up.
3, 4	Q_LVPECL, /Q_LVPECL	Low Voltage Differential PECL Outputs.
5	GND	Ground.
6	D_LVTTL	Low Voltage TTL Input.
7	Q_LVTTL	Low Voltage TTL Output.
8	V _{CC}	3.3V positive supply.

SY100EPT28L

3.0 PACKAGING INFORMATION

3.1 Package Marking Information

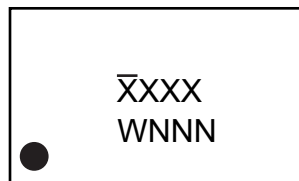
8-Lead SOIC*



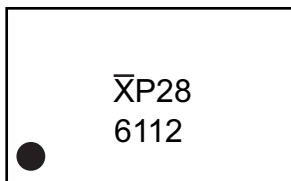
Example



8-Lead MSOP*



Example



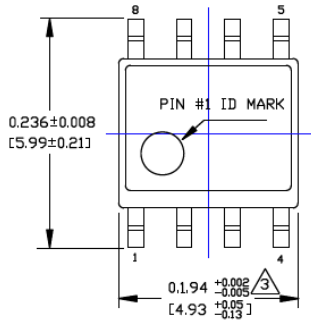
<p>Legend: XX...X Product code or customer-specific information Y Year code (last digit of calendar year) YY Year code (last 2 digits of calendar year) WW Week code (week of January 1 is week '01') NNN Alphanumeric traceability code ⓔ Pb-free JEDEC® designator for Matte Tin (Sn) * This package is Pb-free. The Pb-free JEDEC designator (ⓔ3) can be found on the outer packaging for this package.</p> <p>●, ▲, ▼ Pin one index is identified by a dot, delta up, or delta down (triangle mark).</p>
<p>Note: In the event the full Microchip part number cannot be marked on one line, it will be carried over to the next line, thus limiting the number of available characters for customer-specific information. Package may or may not include the corporate logo.</p> <p>Underbar (̄) and/or Overbar (¯) symbol may not be to scale.</p>

8-Lead SOIC Package Outline and Recommended Land Pattern

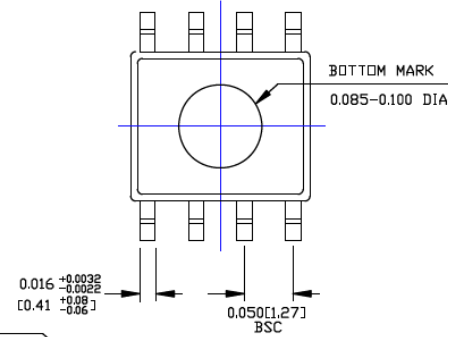
TITLE

8 LEAD SOICN PACKAGE OUTLINE & RECOMMENDED LAND PATTERN

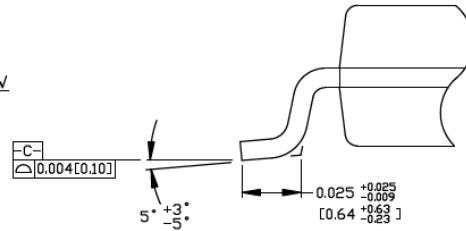
DRAWING #	SOICN-8LD-PL-1	UNIT	INCH [MM]
-----------	----------------	------	-----------



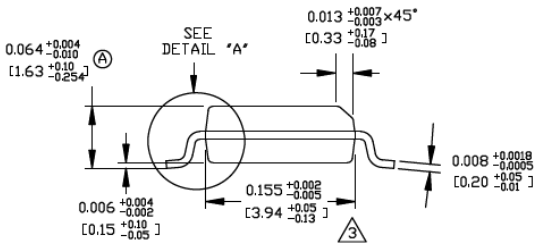
TOP VIEW



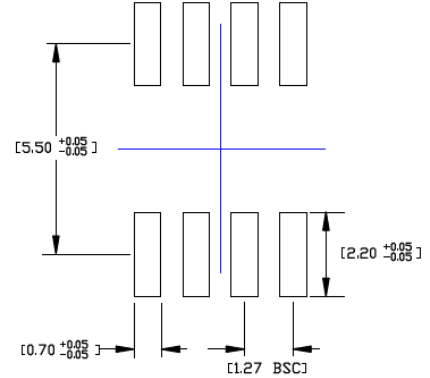
BOTTOM VIEW



DETAIL "A"



END VIEW



RECOMMENDED LAND PATTERN

NOTES:

1. DIMENSIONS ARE IN INCHES[MM].
2. CONTROLLING DIMENSION: INCHES.
3. DIMENSION DOES NOT INCLUDE MOLD FLASH OR PROTRUSIONS, EITHER OF WHICH SHALL NOT EXCEED 0.010[0.25] PER SIDE.

Note: For the most current package drawings, please see the Microchip Packaging Specification located at <http://www.microchip.com/packaging>.

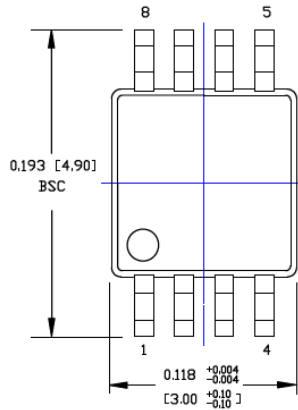
SY100EPT28L

8-Lead MSOP Package Outline and Recommended Land Pattern

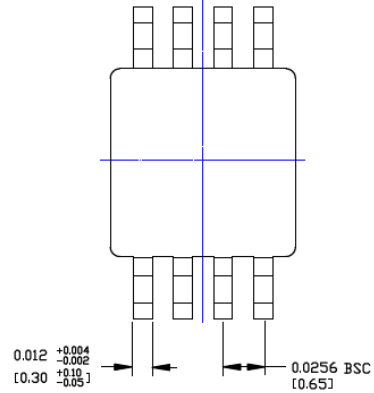
TITLE

8 LEAD MSOP PACKAGE OUTLINE & RECOMMENDED LAND PATTERN

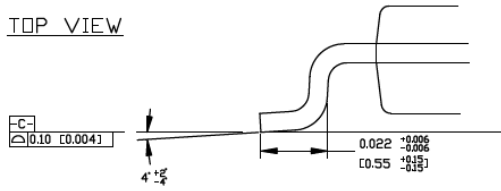
DRAWING #	MSOP-8LD-PL-1	UNIT	INCH [MM]
-----------	---------------	------	-----------



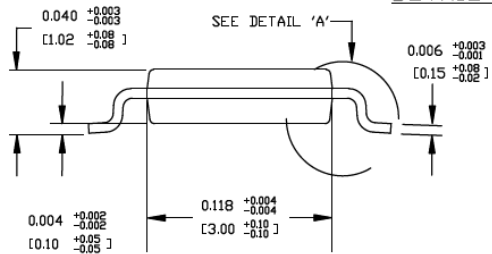
TOP VIEW



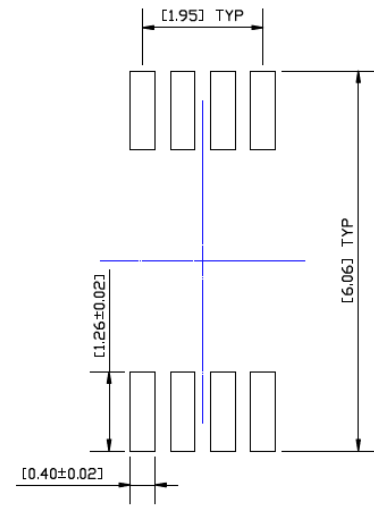
BOTTOM VIEW



DETAIL A



SIDE VIEW



RECOMMENDED LAND PATTERN

NOTES:

1. DIMENSIONS ARE IN INCHES [MM].
2. CONTROLLING DIMENSION: MM
3. DIMENSION DOES NOT INCLUDE MOLD FLASH OR PROTRUSIONS, EITHER OF WHICH SHALL NOT EXCEED 0.008 [0.20] PER SIDE.

Note: For the most current package drawings, please see the Microchip Packaging Specification located at <http://www.microchip.com/packaging>.

APPENDIX A: REVISION HISTORY

Revision A (September 2018)

- Converted Micrel document SY100EPT28L to Microchip data sheet DS20006067A.
- Minor text changes throughout.
- Removed all reference to the EOL SY10EPT28L version.

SY100EPT28L

NOTES:

PRODUCT IDENTIFICATION SYSTEM

To order or obtain information, e.g., on pricing or delivery, contact your local Microchip representative or sales office.

PART NO.		X	X	-XX
Device		Package	Temperature Range	Special Processing
Device:	SY100EPT28L: 3V LVTTL-to-Differential LVPECL and Differential LVPECL-to-LVTTL Translator			
Package:	Z	=	8-Lead SOIC	
	K	=	8-Lead MSOP	
Temperature Range:	G	=	-40°C to +85°C (Pb-Free NiPdAu)	
Special Processing:	<blank>	=	95/Tube (SOIC package)	
	<blank>	=	100/Tube (MSOP package)	
	TR	=	1,000/Reel	

Examples:	
a) SY100EPT28LZG:	SY100EPT28L, 8-Lead SOIC, -40°C to +85°C (Pb-Free NiPdAu), 95/Tube
b) SY100EPT28LZG-TR:	SY100EPT28L, 8-Lead SOIC, -40°C to +85°C (Pb-Free NiPdAu), 1,000/Reel
c) SY100EPT28LKG:	SY100EPT28L, 8-Lead MSOP, -40°C to +85°C (Pb-Free NiPdAu), 100/Tube
d) SY100EPT28LKG-TR:	SY100EPT28L, 8-Lead MSOP, -40°C to +85°C (Pb-Free NiPdAu), 1,000/Reel

Note 1: Tape and Reel identifier only appears in the catalog part number description. This identifier is used for ordering purposes and is not printed on the device package. Check with your Microchip Sales Office for package availability with the Tape and Reel option.

SY100EPT28L

NOTES:

Note the following details of the code protection feature on Microchip devices:

- Microchip products meet the specification contained in their particular Microchip Data Sheet.
- Microchip believes that its family of products is one of the most secure families of its kind on the market today, when used in the intended manner and under normal conditions.
- There are dishonest and possibly illegal methods used to breach the code protection feature. All of these methods, to our knowledge, require using the Microchip products in a manner outside the operating specifications contained in Microchip's Data Sheets. Most likely, the person doing so is engaged in theft of intellectual property.
- Microchip is willing to work with the customer who is concerned about the integrity of their code.
- Neither Microchip nor any other semiconductor manufacturer can guarantee the security of their code. Code protection does not mean that we are guaranteeing the product as “unbreakable.”

Code protection is constantly evolving. We at Microchip are committed to continuously improving the code protection features of our products. Attempts to break Microchip's code protection feature may be a violation of the Digital Millennium Copyright Act. If such acts allow unauthorized access to your software or other copyrighted work, you may have a right to sue for relief under that Act.

Information contained in this publication regarding device applications and the like is provided only for your convenience and may be superseded by updates. It is your responsibility to ensure that your application meets with your specifications. MICROCHIP MAKES NO REPRESENTATIONS OR WARRANTIES OF ANY KIND WHETHER EXPRESS OR IMPLIED, WRITTEN OR ORAL, STATUTORY OR OTHERWISE, RELATED TO THE INFORMATION, INCLUDING BUT NOT LIMITED TO ITS CONDITION, QUALITY, PERFORMANCE, MERCHANTABILITY OR FITNESS FOR PURPOSE. Microchip disclaims all liability arising from this information and its use. Use of Microchip devices in life support and/or safety applications is entirely at the buyer's risk, and the buyer agrees to defend, indemnify and hold harmless Microchip from any and all damages, claims, suits, or expenses resulting from such use. No licenses are conveyed, implicitly or otherwise, under any Microchip intellectual property rights unless otherwise stated.

Microchip received ISO/TS-16949:2009 certification for its worldwide headquarters, design and wafer fabrication facilities in Chandler and Tempe, Arizona; Gresham, Oregon and design centers in California and India. The Company's quality system processes and procedures are for its PIC® MCUs and dsPIC® DSCs, KEELoc® code hopping devices, Serial EEPROMs, microperipherals, nonvolatile memory and analog products. In addition, Microchip's quality system for the design and manufacture of development systems is ISO 9001:2000 certified.

**QUALITY MANAGEMENT SYSTEM
CERTIFIED BY DNV
= ISO/TS 16949 =**

Trademarks

The Microchip name and logo, the Microchip logo, AnyRate, AVR, AVR logo, AVR Freaks, BitCloud, chipKIT, chipKIT logo, CryptoMemory, CryptoRF, dsPIC, FlashFlex, flexPWR, Helder, JukeBlox, KeeLoq, Klear, LANCheck, LINK MD, maXStylus, maXTouch, MediaLB, megaAVR, MOST, MOST logo, MPLAB, OptoLyzer, PIC, picoPower, PICSTART, PIC32 logo, Prochip Designer, QTouch, SAM-BA, SpyNIC, SST, SST Logo, SuperFlash, tinyAVR, UNI/O, and XMEGA are registered trademarks of Microchip Technology Incorporated in the U.S.A. and other countries.

ClockWorks, The Embedded Control Solutions Company, EtherSynch, Hyper Speed Control, HyperLight Load, IntellIMOS, mTouch, Precision Edge, and Quiet-Wire are registered trademarks of Microchip Technology Incorporated in the U.S.A.

Adjacent Key Suppression, AKS, Analog-for-the-Digital Age, Any Capacitor, AnyIn, AnyOut, BodyCom, CodeGuard, CryptoAuthentication, CryptoAutomotive, CryptoCompanion, CryptoController, dsPICDEM, dsPICDEM.net, Dynamic Average Matching, DAM, ECAN, EtherGREEN, In-Circuit Serial Programming, ICSP, INICnet, Inter-Chip Connectivity, JitterBlocker, KlearNet, KlearNet logo, memBrain, Mindi, MiWi, motorBench, MPASM, MPF, MPLAB Certified logo, MPLIB, MPLINK, MultiTRAK, NetDetach, Omniscient Code Generation, PICDEM, PICDEM.net, PICKit, PICtail, PowerSmart, PureSilicon, QMatrix, REAL ICE, Ripple Blocker, SAM-ICE, Serial Quad I/O, SMART-I.S., SQI, SuperSwitcher, SuperSwitcher II, Total Endurance, TSHARC, USBCheck, VariSense, ViewSpan, WiperLock, Wireless DNA, and ZENA are trademarks of Microchip Technology Incorporated in the U.S.A. and other countries.

SQTP is a service mark of Microchip Technology Incorporated in the U.S.A.

Silicon Storage Technology is a registered trademark of Microchip Technology Inc. in other countries.

GestIC is a registered trademark of Microchip Technology Germany II GmbH & Co. KG, a subsidiary of Microchip Technology Inc., in other countries.

All other trademarks mentioned herein are property of their respective companies.

© 2018, Microchip Technology Incorporated, All Rights Reserved.
ISBN: 978-1-5224-3506-8



MICROCHIP

Worldwide Sales and Service

AMERICAS

Corporate Office
2355 West Chandler Blvd.
Chandler, AZ 85224-6199
Tel: 480-792-7200
Fax: 480-792-7277
Technical Support:
<http://www.microchip.com/support>
Web Address:
www.microchip.com

Atlanta

Duluth, GA
Tel: 678-957-9614
Fax: 678-957-1455

Austin, TX

Tel: 512-257-3370

Boston

Westborough, MA
Tel: 774-760-0087
Fax: 774-760-0088

Chicago

Itasca, IL
Tel: 630-285-0071
Fax: 630-285-0075

Dallas

Addison, TX
Tel: 972-818-7423
Fax: 972-818-2924

Detroit

Novi, MI
Tel: 248-848-4000

Houston, TX

Tel: 281-894-5983

Indianapolis

Noblesville, IN
Tel: 317-773-8323
Fax: 317-773-5453
Tel: 317-536-2380

Los Angeles

Mission Viejo, CA
Tel: 949-462-9523
Fax: 949-462-9608
Tel: 951-273-7800

Raleigh, NC

Tel: 919-844-7510

New York, NY

Tel: 631-435-6000

San Jose, CA

Tel: 408-735-9110
Tel: 408-436-4270

Canada - Toronto

Tel: 905-695-1980
Fax: 905-695-2078

ASIA/PACIFIC

Australia - Sydney
Tel: 61-2-9868-6733

China - Beijing
Tel: 86-10-8569-7000

China - Chengdu
Tel: 86-28-8665-5511

China - Chongqing
Tel: 86-23-8980-9588

China - Dongguan
Tel: 86-769-8702-9880

China - Guangzhou
Tel: 86-20-8755-8029

China - Hangzhou
Tel: 86-571-8792-8115

China - Hong Kong SAR
Tel: 852-2943-5100

China - Nanjing
Tel: 86-25-8473-2460

China - Qingdao
Tel: 86-532-8502-7355

China - Shanghai
Tel: 86-21-3326-8000

China - Shenyang
Tel: 86-24-2334-2829

China - Shenzhen
Tel: 86-755-8864-2200

China - Suzhou
Tel: 86-186-6233-1526

China - Wuhan
Tel: 86-27-5980-5300

China - Xian
Tel: 86-29-8833-7252

China - Xiamen
Tel: 86-592-2388138

China - Zhuhai
Tel: 86-756-3210040

ASIA/PACIFIC

India - Bangalore
Tel: 91-80-3090-4444

India - New Delhi
Tel: 91-11-4160-8631

India - Pune
Tel: 91-20-4121-0141

Japan - Osaka
Tel: 81-6-6152-7160

Japan - Tokyo
Tel: 81-3-6880-3770

Korea - Daegu
Tel: 82-53-744-4301

Korea - Seoul
Tel: 82-2-554-7200

Malaysia - Kuala Lumpur
Tel: 60-3-7651-7906

Malaysia - Penang
Tel: 60-4-227-8870

Philippines - Manila
Tel: 63-2-634-9065

Singapore
Tel: 65-6334-8870

Taiwan - Hsin Chu
Tel: 886-3-577-8366

Taiwan - Kaohsiung
Tel: 886-7-213-7830

Taiwan - Taipei
Tel: 886-2-2508-8600

Thailand - Bangkok
Tel: 66-2-694-1351

Vietnam - Ho Chi Minh
Tel: 84-28-5448-2100

EUROPE

Austria - Wels
Tel: 43-7242-2244-39
Fax: 43-7242-2244-393

Denmark - Copenhagen
Tel: 45-4450-2828
Fax: 45-4485-2829

Finland - Espoo
Tel: 358-9-4520-820

France - Paris
Tel: 33-1-69-53-63-20
Fax: 33-1-69-30-90-79

Germany - Garching
Tel: 49-8931-9700

Germany - Haan
Tel: 49-2129-3766400

Germany - Heilbronn
Tel: 49-7131-67-3636

Germany - Karlsruhe
Tel: 49-721-625370

Germany - Munich
Tel: 49-89-627-144-0
Fax: 49-89-627-144-44

Germany - Rosenheim
Tel: 49-8031-354-560

Israel - Ra'anana
Tel: 972-9-744-7705

Italy - Milan
Tel: 39-0331-742611
Fax: 39-0331-466781

Italy - Padova
Tel: 39-049-7625286

Netherlands - Drunen
Tel: 31-416-690399
Fax: 31-416-690340

Norway - Trondheim
Tel: 47-7288-4388

Poland - Warsaw
Tel: 48-22-3325737

Romania - Bucharest
Tel: 40-21-407-87-50

Spain - Madrid
Tel: 34-91-708-08-90
Fax: 34-91-708-08-91

Sweden - Gothenberg
Tel: 46-31-704-60-40

Sweden - Stockholm
Tel: 46-8-5090-4654

UK - Wokingham
Tel: 44-118-921-5800
Fax: 44-118-921-5820

X-ON Electronics

Largest Supplier of Electrical and Electronic Components

Click to view similar products for [Translation - Voltage Levels](#) category:

Click to view products by [Microchip](#) manufacturer:

Other Similar products are found below :

[NLSX4373DMR2G](#) [NLSX5012MUTAG](#) [NLSX0102FCT2G](#) [NLSX4302EBMUTCG](#) [PCA9306FMUTAG](#) [MC100EPT622MNG](#)
[NLSX5011MUTCG](#) [NLV9306USG](#) [NLVSVX4014MUTAG](#) [NLSV4T3144MUTAG](#) [NLVSVX4373MUTAG](#) [MAX3371ELT+T](#)
[NLSX3013BFCT1G](#) [NLV7WBD3125USG](#) [NLSX3012DMR2G](#) [74AVCH1T45FZ4-7](#) [NLVSV1T244MUTBG](#) [74AVC1T45GS-Q100H](#)
[CLVC16T245MDGGREP](#) [MC10H124FNG](#) [CAVCB164245MDGGREP](#) [CD40109BPWR](#) [MC10H350FNG](#) [MC10H125FNG](#)
[MC100EPT21MNR4G](#) [MC100EP91DWG](#) [NLSV2T244MUTAG](#) [NLSX3013FCT1G](#) [NLSX5011AMX1TCG](#) [PCA9306USG](#)
[SN74GTL1655DGGR](#) [SN74AVCA406LZQSR](#) [NLSX4014DTR2G](#) [NLSX3018DTR2G](#) [LTC1045CN#PBF](#) [SY100EL92ZG](#)
[74AXP1T34GMH](#) [74AXP1T34GNH](#) [LSF0204DPWR](#) [PI4ULS3V204LE](#) [ADG3245BRUZ-REEL7](#) [ADG3123BRUZ](#) [ADG3245BRUZ](#)
[ADG3246BCPZ](#) [ADG3308BCPZ-REEL](#) [ADG3233BRJZ-REEL7](#) [ADG3233BRMZ](#) [ADG3242BRJZ-REEL7](#) [ADG3243BRJZ-REEL7](#)
[ADG3245BCPZ](#)