

**PROGRAMMABLE
DELAY CHIP****Precision Edge®
SY10E195
SY100E195****FEATURES**

- Up to 2ns delay range
- Extended 100E VEE range of -4.2V to -5.5V
- ≈20ps/digital step resolution
- >1GHz bandwidth
- On-chip cascade circuitry
- 75KkΩ input pulldown resistor
- Fully compatible with Motorola MC10E/100E195
- Available in 28-pin PLCC package

DESCRIPTION

The SY10/100E195 are programmable delay chips (PDCs) designed primarily for clock de-skewing and timing adjustment. They provide variable delay of a differential ECL input transition.

The delay section consists of a chain of gates organized as shown in the logic diagram. The first two delay elements feature gates that have been modified to have delays 1.25 and 1.5 times the basic gate delay of approximately 80ps. These two elements provide the E195 with a digitally-selectable resolution of approximately 20ps. The required device delay is selected by the seven address inputs D[0:6], which are latched on-chip by a high signal on the latch enable (LEN) control. If the LEN signal is either LOW or left floating, then the latch is transparent.

Because the delay programmability of the E195 is achieved by purely differential ECL gate delays, the device will operate at frequencies of >1GHz, while maintaining over 600mV of output swing.

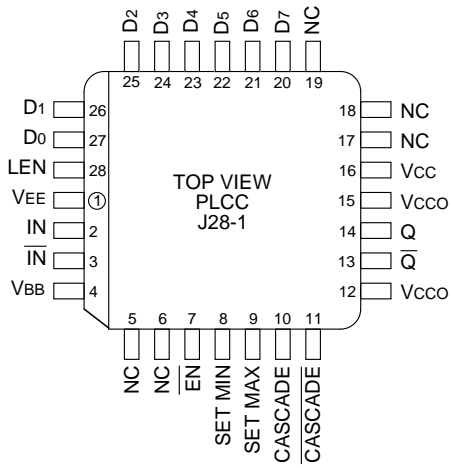
The E195 thus offers very fine resolution, at very high frequencies, selectable entirely from a digital input, allowing for very accurate system clock timing.

An eighth latched input, D7, is provided for cascading multiple PDCs for increased programmable range. The cascade logic allows full control of multiple PDCs, at the expense of only a single added line to the data bus for each additional PDC, without the need for any external gating.

PIN NAMES

Pin	Function
IN/ $\overline{\text{IN}}$	Signal Input
$\overline{\text{EN}}$	Input Enable
D[0:7]	Mux Select Inputs
Q/ $\overline{\text{Q}}$	Signal Output
LEN	Latch Enable
SET MIN	Minimum Delay Set
SET MAX	Maximum Delay Set
CASCADE	Cascade Signal

PACKAGE/ORDERING INFORMATION



28-Pin PLCC (J28-1)

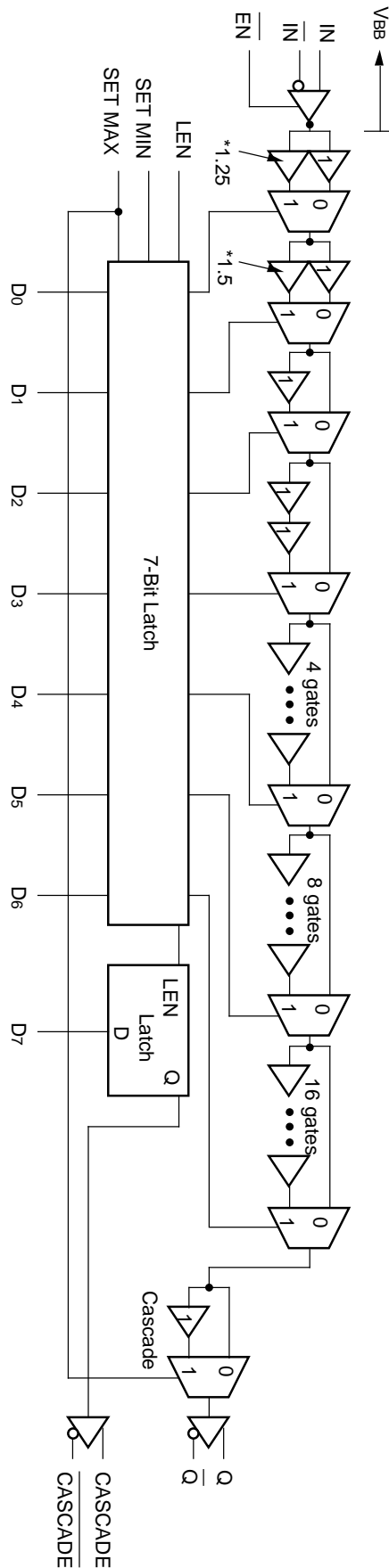
Ordering Information⁽¹⁾

Part Number	Package Type	Operating Range	Package Marking	Lead Finish
SY10E195JC	J28-1	Commercial	SY10E195JC	Sn-Pb
SY10E195JCTR ⁽²⁾	J28-1	Commercial	SY10E195JC	Sn-Pb
SY100E195JI	J28-1	Industrial	SY100E195JI	Sn-Pb
SY100E195JITR ⁽²⁾	J28-1	Industrial	SY100E195JI	Sn-Pb
SY10E195JZ ⁽³⁾	J28-1	Commercial	SY10E195JZ with Pb-Free bar-line indicator	Matte-Sn
SY10E195JZTR ^(2, 3)	J28-1	Commercial	SY10E195JZ with Pb-Free bar-line indicator	Matte-Sn
SY100E195JY ⁽³⁾	J28-1	Industrial	SY100E195JY with Pb-Free bar-line indicator	Matte-Sn
SY100E195JYTR ^(2, 3)	J28-1	Industrial	SY100E195JY with Pb-Free bar-line indicator	Matte-Sn

Notes:

1. Contact factory for die availability. Dice are guaranteed at T_A = 25°C, DC Electricals only.
2. Tape and Reel.
3. Pb-Free package is recommended for new designs.

BLOCK DIAGRAM



*Delays are 25% or 50% longer than standard (standard = 80ps).

DC ELECTRICAL CHARACTERISTICS

V_{EE} = V_{EE} (Min.) to V_{EE} (Max.); V_{CC} = GND

Symbol	Parameter	T _A = 0°C			T _A = +25°C			T _A = +85°C			Unit	Condition
		Min.	Typ.	Max.	Min.	Typ.	Max.	Min.	Typ.	Max.		
I _{IH}	Input HIGH Current	—	—	150	—	—	150	—	—	150	μA	—
I _{EE}	Power Supply Current										mA	—
	10E	—	130	156	—	130	156	—	130	156		
	100E	—	130	156	—	130	156	—	150	179		

AC ELECTRICAL CHARACTERISTICS

VEE = VEE (Min.) to VEE (Max.); VCC = GND

Symbol	Parameter	TA = 0°C			TA = +25°C			TA = +85°C			Unit	Condition
		Min.	Typ.	Max.	Min.	Typ.	Max.	Min.	Typ.	Max.		
t _{PD}	Propagation Delay to Output IN to Q; Tap = 0	1210	1360	1510	1240	1390	1540	1440	1590	1765	ps	—
	IN to Q; Tap = 127	3320	3570	3820	3380	3630	3880	3920	4270	4720		
	\overline{EN} to Q; Tap = 0	1250	1450	1650	1275	1475	1675	1350	1650	1950		
	D7 to CASCADE	300	450	700	300	450	700	300	450	700		
t _{RANGE}	Programmable Range t _{PD} (max.) – t _{PD} (min.)	2000	2175	—	2050	2240	—	2375	2580	—	ps	—
Δt	Step Delay	—	17	—	—	17.5	—	—	21	—	ps	6
	D0 High	—	34	—	—	35	—	—	42	—		
	D1 High	55	68	105	55	70	105	65	84	120		
	D2 High	115	136	180	115	140	180	140	168	205		
	D3 High	250	272	325	250	280	325	305	336	380		
	D4 High	505	544	620	515	560	620	620	672	740		
	D6 High	1000	1088	1190	1030	1120	1220	1240	1344	1450		
Lin	Linearity	D1	D0	—	D1	D0	—	D1	D0	—	—	7
t _{skew}	Duty Cycle Skew, t _{PHL} –t _{PLH}	—	±30	—	—	±30	—	—	±30	—	ps	1
t _S	Set-up Time	—	—	—	—	—	—	—	—	—	ps	2 3
	D to LEN	200	0	—	200	0	—	200	0	—		
	D to IN	800	—	—	800	—	—	800	—	—		
t _H	EN to IN	200	—	—	200	—	—	200	—	—	ps	4
	Hold Time LEN to D IN to \overline{EN}	500 0	250 —	— —	500 0	250 —	— —	500 0	250 —	— —		
t _R	Release Time	—	—	—	—	—	—	—	—	—	ps	5
	EN to IN	300	—	—	300	—	—	300	—	—		
	SET MAX to LEN SET MIN to LEN	800 800	— —	— —	800 800	— —	— —	800 800	— —	— —		
t _{jitter}	Jitter	—	<5	—	—	<5	—	—	<5	—	ps	8
t _r t _f	Rise/Fall Times	—	—	—	—	—	—	—	—	—	ps	—
	20–80% (Q) 20–80% (CASCADE)	125 300	225 450	325 650	125 300	225 450	325 650	125 300	225 450	325 650		

Notes:

- Duty cycle skew guaranteed only for differential operation measured from the cross point of the input to the cross point of the output.
- This set-up time defines the amount of time prior to the input signal the delay tap of the device must be set.
- This set-up time is the minimum time that \overline{EN} must be asserted prior to the next transition of IN/ \overline{IN} to prevent an output response greater than ±75mV to that IN/ \overline{IN} transition.
- This hold time is the minimum time that \overline{EN} must remain asserted after a negative going IN or positive going \overline{IN} to prevent an output response greater than ±75mV to that IN/ \overline{IN} transition.
- This release time is the minimum time that \overline{EN} must be deasserted prior to the next IN/ \overline{IN} transition to ensure an output response that meets the specified IN to Q propagation delay and transition times.
- Specification limits represent the amount of delay added with the assertion of each individual delay control pin. The various combinations of asserted delay control inputs will typically realize D₀ resolution steps across the specified programmable range.
- The linearity specification guarantees to which delay control input the programmable steps will be monotonic (i.e. increasing delay steps for increasing binary counts on the control inputs D_n). Typically, the device will be monotonic to the D₀ input, however, under worst case conditions and process variation, delays could decrease slightly with increasing binary counts when the D₀ input is the LSB. With the D₁ input as the LSB, the device is guaranteed to be monotonic over all specified environmental conditions and process variation.
- The jitter of the device is less than what can be measured without resorting to very tedious and specialized measurement techniques.

APPLICATIONS INFORMATION

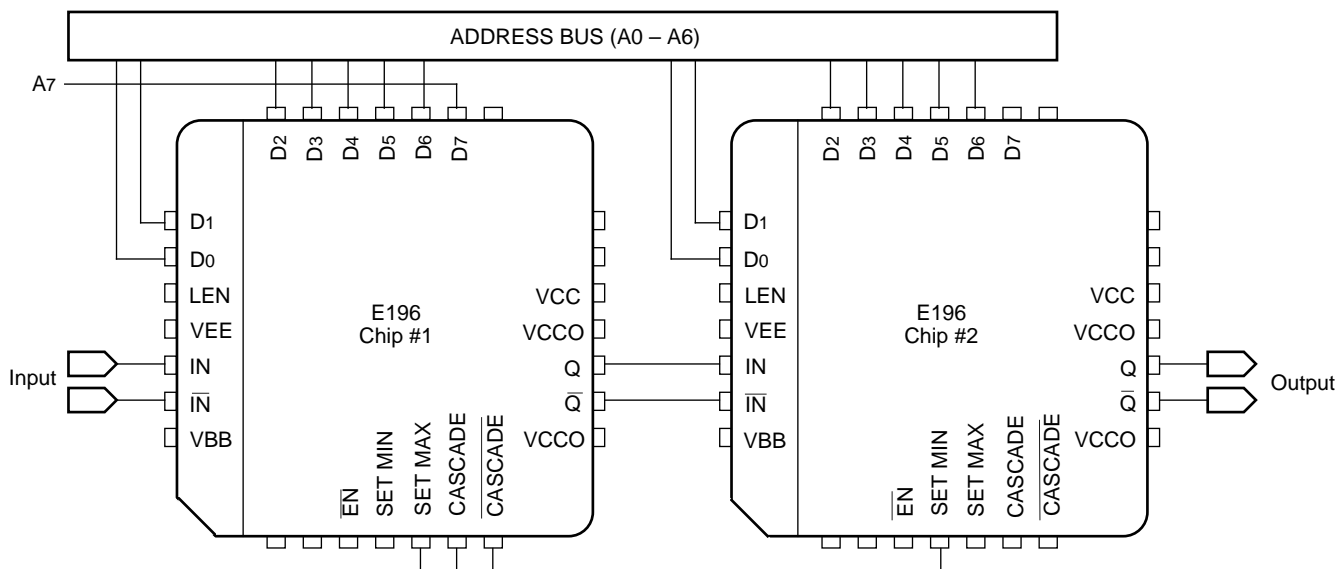


Figure 1. Cascading Interconnect Architecture

Cascading Multiple E195s

To increase the programmable range of the E195, internal cascade circuitry has been included. This circuitry allows for the cascading of multiple E195s without the need for any external gating. Furthermore, this capability requires only one more address line per added E195. Obviously, cascading multiple PDCs will result in a larger programmable range; however, this increase is at the expense of a longer minimum delay.

Figure 1 illustrates the interconnect scheme for cascading two E195s. As can be seen, this scheme can easily be expanded for larger E195 chains. The D7 input of the E195 is the cascade control pin. With the interconnect scheme of Figure 1, when D7 is asserted, it signals the need for a larger programmable range than is achievable with a single device.

An expansion of the latch section of the block diagram is pictured below. Use of this diagram will simplify the explanation of how the cascade circuitry works. When D7 of chip #1 above is low, the cascade output will also be low, while the cascade bar output will be a logical high. In this condition, the SET MIN pin of chip #2 will be asserted and, thus, all of the latches of chip #2 will be reset and the device will be set at its minimum delay. Since the RESET and SET inputs of the latches are overriding, any changes on the A0–A6 address bus will not affect the operation of chip #2.

Chip #1, on the other hand, will have both SET MIN and SET MAX de-asserted so that its delay will be controlled entirely by the address bus A0–A6. If the delay needed is greater than can be achieved with 31.75 gate delays (1111111 on the A0–A6 address bus), D7 will be asserted to signal the need to cascade the delay to the next E195 device. When D7 is asserted, the SET MIN pin of chip #2 will be de-asserted and the delay will be controlled by the A0–A6 address bus. Chip #1, on the other hand, will have its SET MAX pin asserted, resulting in the device delay to be independent of the A0–A6 address bus.

When the SET MAX pin of chip #1 is asserted, the D0 and D1 latches will be reset while the rest of the latches will be set. In addition, to maintain monotonicity, an additional gate delay is selected in the cascade circuitry. As a result, when D7 of chip #1 is asserted, the delay increases from 31.75 gates to 32 gates. A 32-gate delay is the maximum delay setting for the E195.

To expand this cascading scheme to more devices, one simply needs to connect the D7 input and CASCADE outputs of the current most significant E195 to the new most significant E195 in the same manner as pictured in Figure 1. The only addition to the logic is the increase of one line to the address bus for cascade control of the second PDC.

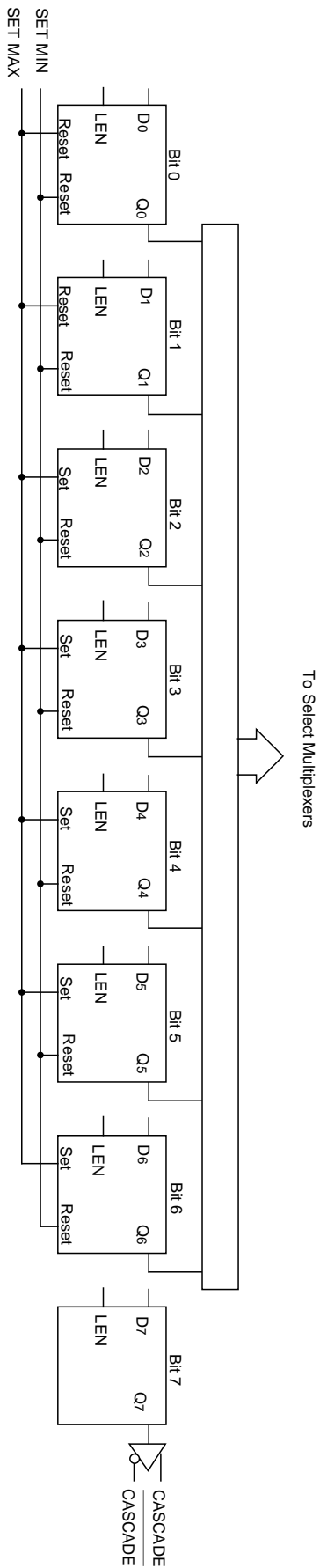
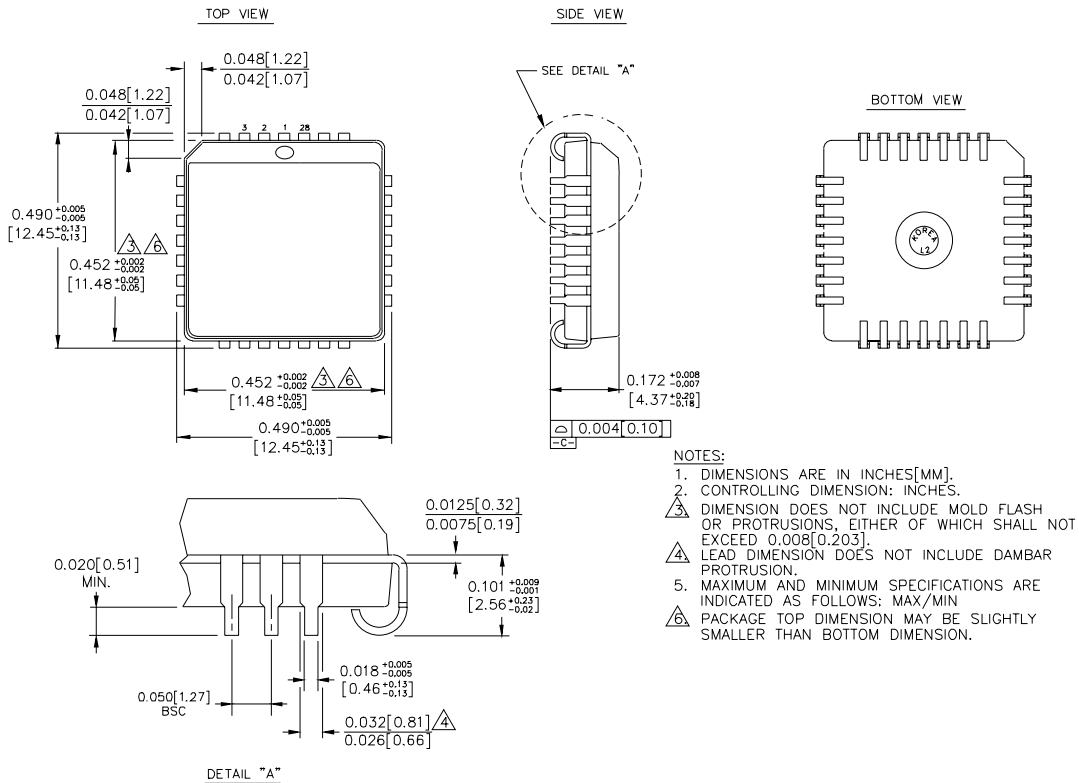


Figure 2. Expansion of the Latch Section of the E195 Block Diagram

28-PIN PLCC (J28-1)



Rev. 03

MICREL, INC. 2180 FORTUNE DRIVE SAN JOSE, CA 95131 USA

TEL + 1 (408) 944-0800 FAX + 1 (408) 474-1000 WEB <http://www.micrel.com>

The information furnished by Micrel in this data sheet is believed to be accurate and reliable. However, no responsibility is assumed by Micrel for its use. Micrel reserves the right to change circuitry and specifications at any time without notification to the customer.

Micrel Products are not designed or authorized for use as components in life support appliances, devices or systems where malfunction of a product can reasonably be expected to result in personal injury. Life support devices or systems are devices or systems that (a) are intended for surgical implant into the body or (b) support or sustain life, and whose failure to perform can be reasonably expected to result in a significant injury to the user. A Purchaser's use or sale of Micrel Products for use in life support appliances, devices or systems is at Purchaser's own risk and Purchaser agrees to fully indemnify Micrel for any damages resulting from such use or sale.

© 2006 Micrel, Incorporated.

X-ON Electronics

Largest Supplier of Electrical and Electronic Components

Click to view similar products for [Delay Lines/Timing Elements](#) category:

Click to view products by [Microchip](#) manufacturer:

Other Similar products are found below :

[DS1124U-25+T](#) [MC100EP196BFAR2G](#) [MCP101-485DI/TO](#) [MCP100-460DI/TO](#) [MCP101T-270I/TT](#) [MC100EP195MNG](#)
[MC100EP195BFAG](#) [DS1110S-450](#) [DS1110S-125+](#) [DS1110LE-200+](#) [DS1110LE-100+](#) [DS1110E-500+](#) [DS1110E-50+](#) [DS1110E-250](#)
[DS1100LU-175+](#) [DS1100LU-125](#) [DS1135LZ-10+](#) [DS1110S-75+](#) [DS1110S-60+](#) [DS1110S-200+](#) [DS1110LE-300](#) [DS1110LE-250+](#)
[DS1110E-200+](#) [DS1110E-100+](#) [DS1100U-75+](#) [DS1100U-300+](#) [DS1100LZ-75+](#) [DS1100LU-100+](#) [CHP4012-QEG](#) [XDL20-3-050S](#)
[DS1233Z-5+](#) [MCP100-300HI/TO](#) [MCP103T-475E/TT](#) [MCP102T-450E/TT](#) [LTC6994IDCB-2#TRMPBF](#) [MIC826TYMT-TR](#)
[LTC6994CDCB-1#TRMPBF](#) [LTC6994MPS6-2#TRMPBF](#) [LTC6994IS6-1#TRMPBF](#) [DS1110E-450+](#) [LTC6994MPS6-1#TRMPBF](#)
[LTC6994CS6-2#TRMPBF](#) [LTC6994CDCB-2#TRMPBF](#) [LTC6994CS6-1#TRMPBF](#) [LTC6994IS6-2#TRMPBF](#) [LTC6994IDCB-1#TRMPBF](#)
[EL9115ILZ](#) [HMC856LC5](#) [HMC877LC3](#) [HMC910LC4B](#)