



# SY84113BU

## Low Power 2.5V 1.25Gbps Limiting Post Amplifier with Ultra Wide LOS Range

### General Description

The SY84113BU low power limiting post amplifier is designed for use in fiber-optic optical modules for multirate applications up to 1.25Gbps. The device connects to a typical transimpedance amplifier (TIA) and can produce output signals to CML-level waveforms. Intended for the GbE and Fibre Channel applications, the SY84113BU offers a wide loss-of-signal (LOS) range. It is able to detect input signals for as low as 5mVpp and as high as 100mVpp. The SY84113BU is intended to be used in AC-coupled input applications.

The SY84113BU generates a LOS open-collector TTL output. A programmable LOS level set pin ( $LOS_{LVL}$ ) sets the sensitivity of the input amplitude detection. LOS asserts high if the input amplitude falls below the threshold set by  $LOS_{LVL}$  and de-asserts low otherwise. The enable input (/EN) de-asserts the true output signal without removing the input signal. The LOS output can be fed back to the /EN input to implement the squelch function that maintains output stability under an LOS condition.

The SY84113BU operates on a single 2.5V power supply and offers ultra-low power consumption. This device is perfectly suited to meet the stringent power requirements of the CSFP/SFP/SFF optical modules.

All support documentation can be found on Micrel's website at: [www.micrel.com](http://www.micrel.com).

### Features

- Ultra-wide loss-of-signal (LOS) range (5mVpp to 100mVpp)
- Single 2.5V power supply
- Ultra-low power consumption (55mW typical)
- 125Mbps to 1.25 Gbps operation
- Low-noise CML data outputs
- TTL /EN input
- Programmable LOS level ( $LOS_{LVL}$ )
- Internal 50Ω termination
- Available in a tiny 3mm × 3mm QFN package
- Extensive temperature range (−40°C to +95°C)

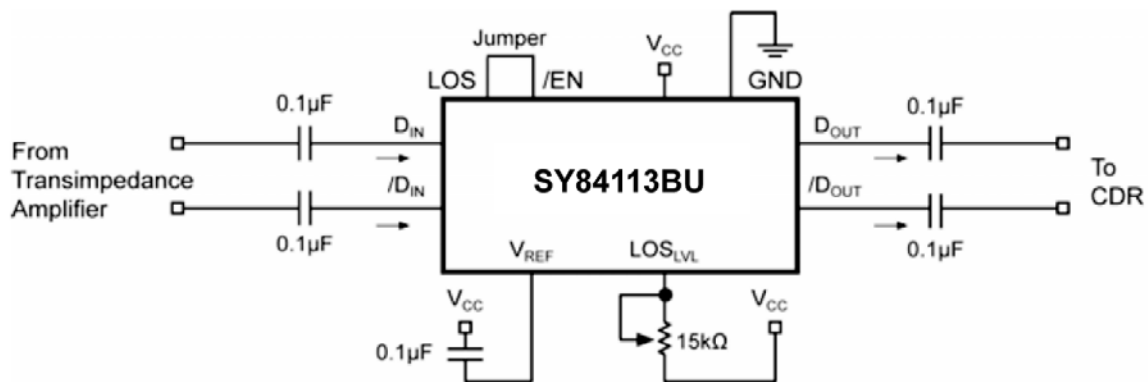
### Applications

- Gigabit Ethernet
- Fibre Channel
- GEAPON

### Markets

- Datacom/telecom
- Compact SFP/SFF optical transceiver
- SFP/SFF optical transceiver

### Typical Application



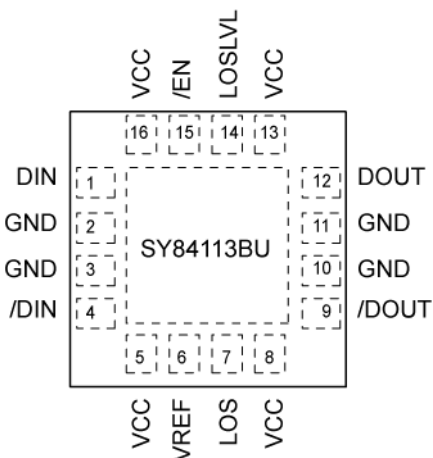
## Ordering Information

Part Number	Package Type	Operating Range	Package Marking	Lead Finish
SY84113BUMG	QFN-16	Industrial	113B with Pb-Free Bar-Line Indicator	NiPdAu Pb-Free
SY84113BUMGTR <sup>(1)</sup>	QFN-16	Industrial	113B with Pb-Free Bar-Line Indicator	NiPdAu Pb-Free

### Notes:

1. Tape and Reel.

## Pin Configuration



16-Pin (3mm × 3mm) QFN-16

## Pin Description

Pin Number	Pin Name	Type	Pin Function
15	/EN	TTL Input	/Enable: This input enables the outputs when LOW. Internally connected to a 25kΩ pull-up resistor and will default to a logic HIGH state if left open.
1, 4	DIN, /DIN	Data Input	Differential data inputs. Each input is internally terminated to the VREF pin by a 50Ω resistor.
6	VREF		Reference Voltage: Place 0.1uF capacitor to Vcc to help stabilize LOSLVL.
14	LOSLVL	DC Input	Loss-of-Signal Level Set. A resistor from this pin to V <sub>CC</sub> sets the threshold for the data input amplitude at which LOS will be asserted.
2, 3, 10, 11, ePad	GND	Ground	Device Ground. Exposed pad (ePad) must be connected to PCB ground plane.
7	LOS	Open-Collector TTL Output	Loss-of-signal: asserts high when the data input amplitude falls below the threshold set by LOS <sub>LVL</sub> .
12, 9	/DOUT, DOUT	CML Output	Differential data outputs. Unused output should be terminated 50Ω to VCC.
5, 8, 13, 16	VCC	Positive Rail	Positive power supply. . Bypass with a 0.1uF    0.01uF low-ESR capacitor as close to VCC pin as possible.

**Absolute Maximum Ratings<sup>(2)</sup>**

Supply Voltage ( $V_{CC}$ )	0V to +4.0V
Input Voltage (DIN, /DIN)	0 to $V_{CC}$
Output Current ( $I_{OUT}$ )	$\pm 25$ mA
EN Voltage	0 to $V_{CC}$
$V_{REF}$ Current	$-800\mu\text{A}$ to $+500\mu\text{A}$
$LOS_{LVL}$ Voltage	$V_{REF}$ to $V_{CC}$
Lead Temperature (soldering, 20s)	260°C
Storage Temperature ( $T_s$ )	$-65^\circ\text{C}$ to $+150^\circ\text{C}$

**Operating Ratings<sup>(3)</sup>**

Supply Voltage ( $V_{CC}$ )	+2.375 to +2.625V
Ambient Temperature ( $T_A$ )	$-40^\circ\text{C}$ to $+95^\circ\text{C}$
Junction Temperature ( $T_J$ )	$-40^\circ\text{C}$ to $+120^\circ\text{C}$
Package Thermal Resistance <sup>(4)</sup>	
( $\theta_{JA}$ ) Still-Air	60°C/W
( $\psi_{JB}$ )	33°C/W

**DC Electrical Characteristics**

$V_{CC} = 2.5 \pm 5\%$ ;  $T_A = -40^\circ\text{C}$  to  $+95^\circ\text{C}$ , typical values at  $V_{CC} = 2.5\text{V}$ ,  $T_A = 25^\circ\text{C}$ .

Symbol	Parameter	Condition	Min.	Typ.	Max.	Units
$I_{CC}$	Power Supply Current	Outputs terminated 50 $\Omega$ to $V_{CC}$		22	35	mA
$LOS_{LVL}$	$LOS_{LVL}$ Voltage		$V_{REF}$		$V_{CC}$	V
$V_{OH}$	DOUT, /DOUT HIGH Voltage		$V_{CC} - 0.020$	$V_{CC} - 0.005$	$V_{CC}$	V
$V_{OL}$	DOUT, /DOUT LOW Voltage		$V_{CC} - 0.475$	$V_{CC} - 0.400$	$V_{CC} - 0.350$	V
$V_{REF}$	Reference Voltage			$V_{CC} - 0.6$		V
$Z_0$	Single-Ended Output Impedance		40	50	60	$\Omega$
$Z_I$	Single-Ended Input Impedance		40	50	60	$\Omega$

**TTL DC Electrical Characteristics**

$V_{CC} = 2.5 \pm 5\%$ ;  $T_A = -40^\circ\text{C}$  to  $+95^\circ\text{C}$ , typical values at  $V_{CC} = 2.5\text{V}$ ,  $T_A = 25^\circ\text{C}$ .

Symbol	Parameter	Condition	Min.	Typ.	Max.	Units
$V_{IH}$	/EN Input HIGH Voltage		2.0		$V_{CC}$	V
$V_{IL}$	/EN Input LOW Voltage				0.8	V
$I_{IH}$	/EN Input HIGH Current	$V_{IN} = V_{CC}$			20	$\mu\text{A}$
$I_{IL}$	/EN Input LOW Current	$V_{IN} = 0.5\text{V}$	-0.3			mA
$V_{OH}$	LOS Output HIGH Level	$V_{CC} = 2.5\text{V}$ . $I_{OH} < 50\mu\text{A}$	2			V
$V_{OL}$	LOS Output LOW Level	$I_{OL} = 2\text{mA}$			0.5	V

**Notes:**

- Permanent device damage may occur if absolute maximum ratings are exceeded. This is a stress rating only and functional operation is not implied at conditions other than those detailed in the operational sections of this data sheet. Exposure to absolute maximum ratings conditions for extended periods may affect device reliability.
- The datasheet limits are not guaranteed if the device is operated beyond the operating ratings.
- Package Thermal Resistance assumes exposed pad is soldered (or equivalent) to the devices most negative potential on the PCB.  $\psi_{JB}$  uses a 4-layer and  $\theta_{JA}$  in still air unless otherwise stated.

## AC Electrical Characteristics

$V_{CC} = 2.5 \pm 5\%$ ;  $T_A = -40^\circ\text{C}$  to  $+95^\circ\text{C}$ , typical values at  $V_{CC} = 2.5\text{V}$ ,  $T_A = 25^\circ\text{C}$ .;  $R_{Load} = 50\Omega$  to  $V_{CC}$ ;

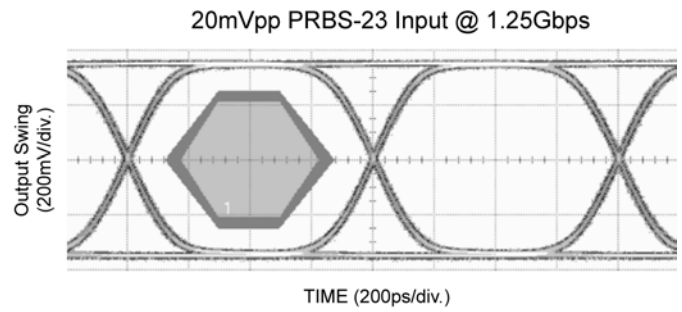
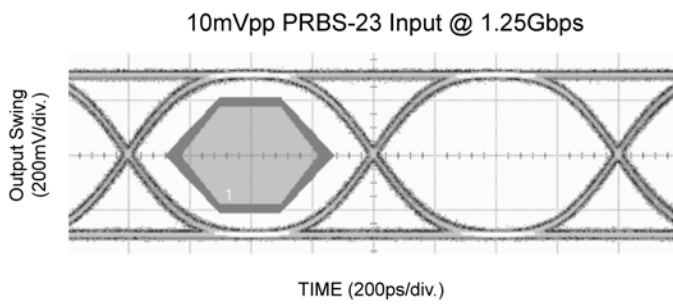
Symbol	Parameter	Condition	Min.	Typ.	Max.	Units
$t_r, t_f$	Output Rise/Fall Time (20% to 80%)	Note 5		150	260	ps
$t_{JITTER}$	Deterministic Random	Note 6 Note 7		15 5		ps <sub>P</sub> ps <sub>RMS</sub>
$V_{ID}$	Differential Input Voltage Swing		5		1800	mV <sub>PP</sub>
$V_{OD}$	Differential Output Voltage Swing	Note 5	700	800	950	mV <sub>PP</sub>
$T_{OFF}$	LOS Release Time	Note 10		2	10	$\mu\text{s}$
$T_{ON}$	LOS Assert Time	Note 10		2	10	$\mu\text{s}$
$LOS_{AL}$	Low LOS Assert Level	$R_{LOSLVL} = 10\text{k}\Omega^{(8)}$		3.9		mV <sub>PP</sub>
$LOS_{DL}$	Low LOS De-assert Level	$R_{LOSLVL} = 10\text{k}\Omega^{(8)}$		5.6		mV <sub>PP</sub>
$HYS_L$	Low LOS Hysteresis	$R_{LOSLVL} = 10\text{k}\Omega^{(8)}$	2	3.1	4.5	dB
$LOS_{AM}$	Medium LOS Assert Level	$R_{LOSLVL} = 5\text{k}\Omega^{(8)}$	7	9.2		mV <sub>PP</sub>
$LOS_{DM}$	Medium LOS De-assert Level	$R_{LOSLVL} = 5\text{k}\Omega^{(8)}$		13.6	16	mV <sub>PP</sub>
$HYS_M$	Medium LOS Hysteresis	$R_{LOSLVL} = 5\text{k}\Omega^{(9)}$	2	3.4	4.5	dB
$LOS_{AH}$	High LOS Assert Level	$R_{LOSLVL} = 100\Omega^{(8)}$	60	73		mV <sub>PP</sub>
$LOS_{DH}$	High LOS De-assert Level	$R_{LOSLVL} = 100\Omega^{(8)}$		103	130	mV <sub>PP</sub>
$HYS_H$	High LOS Hysteresis	$R_{LOSLVL} = 100\Omega^{(9)}$	2	3.0	4.5	dB
$B_{-3dB}$	3dB Bandwidth			850		MHz
$A_{V(Diff)}$	Differential Voltage Gain			38		dB
$S_{21}$	Single-Ended Small-Signal Gain		26	32		dB

### Notes:

- Amplifier in limiting mode. Input is a 200MHz square wave.
- Deterministic jitter measured using 1.250 Gbps K28.5 pattern,  $V_{ID} = 60\text{mV}_{PP}$ .
- Random jitter measured using 1.250Gbps K28.7 pattern,  $V_{ID} = 60\text{mV}_{PP}$ .
- See "Typical Operating Characteristics" for a graph showing how to choose a particular  $R_{LOSLVL}$  for a particular LOS assert and its associated de-assert amplitude.
- This specification defines electrical hysteresis as  $20\log(\text{LOS De-Assert}/\text{LOS Assert})$ . The ratio between optical hysteresis and electrical hysteresis is found to vary between 1.5 and 2 depending upon the level of received optical power and ROSA characteristics. Based on that ratio, the optical hysteresis corresponding to the electrical hysteresis range 2dB-4.5 dB, shown in the AC characteristics table, will be 1dB-3dB Optical Hysteresis.
- In real world applications, the LOS Release/Assert time can be strongly influenced by the RC time constant of the AC-coupling cap and the 50 $\Omega$  input termination. To keep this time low, use a decoupling cap with the lowest value that is allowed by the data rate and the number of consecutive identical bits in the application (typical values are in the range of 0.001 $\mu\text{F}$  to 1.0 $\mu\text{F}$ ).

### Typical Functional Characteristics

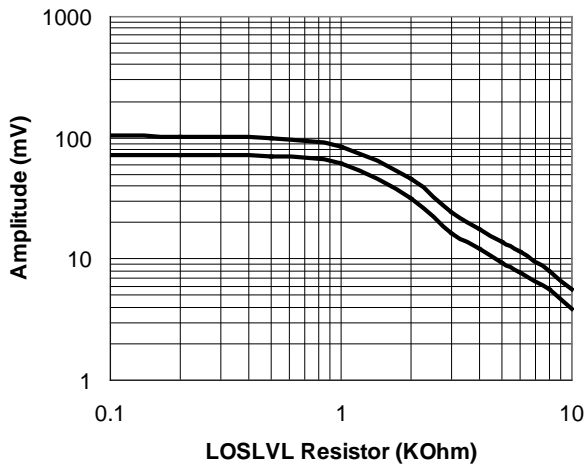
$V_{CC} = 2.5 \pm 5\%$ ;  $T_A = -40^\circ\text{C}$  to  $+95^\circ\text{C}$ , typical values at  $V_{CC} = 2.5\text{V}$ ,  $T_A = 25^\circ\text{C}$ .;  $R_{Load} = 50\Omega$  to  $V_{CC}$ .



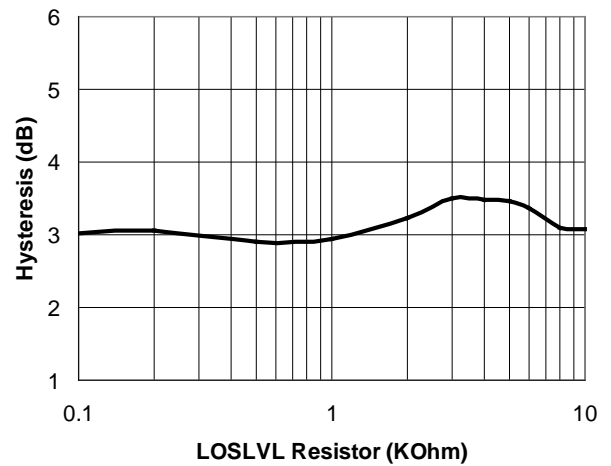
### Typical Operating Characteristics

$V_{CC} = 2.5 \pm 5\%$ ;  $T_A = -40^\circ\text{C}$  to  $+95^\circ\text{C}$ , typical values at  $V_{CC} = 2.5\text{V}$ ,  $T_A = 25^\circ\text{C}$ .;  $R_{Load} = 50\Omega$  to  $V_{CC}$ .

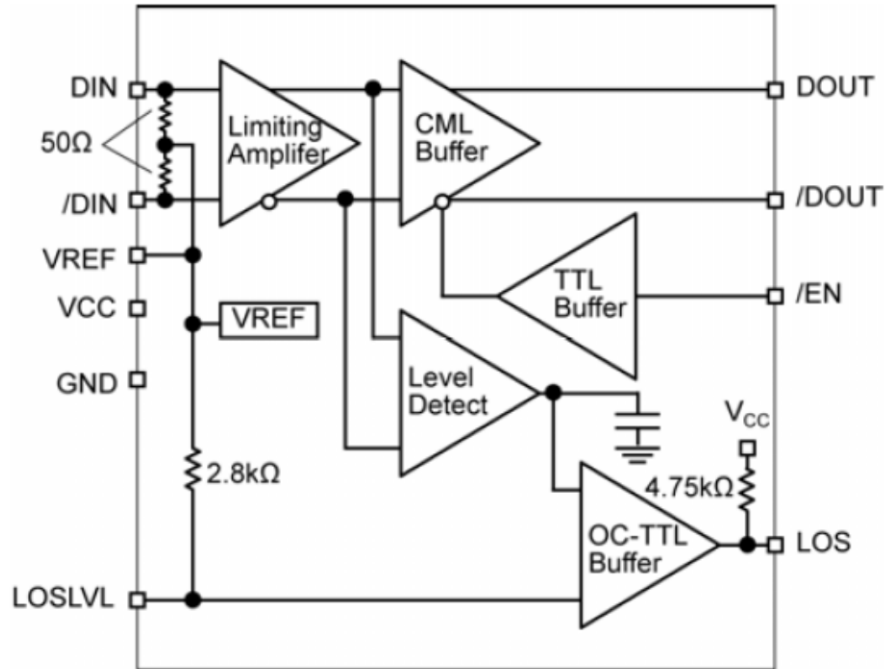
LOS Assert/De-Assert Levels



LOS Hysteresis



### Functional Block Diagram



## Functional Description

The SY84113BU is a high-sensitivity limiting post amplifier that operates from a single +2.5V power supply over temperatures from  $-40^{\circ}\text{C}$  to  $+85^{\circ}\text{C}$ . Signals with data rates up to 1.25Gbps, and as small as 5mVpp, can be amplified. Figure 1 shows the allowed input voltage swing. The SY84113BU generates a LOS output signal that can be fed back to /EN for output stability in the absence of a signal at the input.  $\text{LOS}_{\text{LVL}}$  sets the sensitivity of the input amplitude detection. SY84113BU offers ultra wide LOS detection range. This allows the device to be used in multiple AC-coupled applications.

### Input Amplifier/Buffer

Figure 2 shows a simplified schematic of the input stage. The high-sensitivity of the input amplifier can detect and amplify AC-coupled signals as small as 5mV<sub>pp</sub> to full CML output level. The input stage also can allow signals as large as 1800mV<sub>pp</sub>. Input signals are amplified with a typically 38dB differential voltage gain until they reach the limiting mode of the amplifier. SY84113BU outputs in standard 400mV CML output levels.

### Output Buffer

The SY84113BU's CML output buffer is designed to drive 50Ω lines and is internally terminated with 50Ω to VCC. Figure 3 shows a schematic of the output stage.

### Loss-of-Signal (LOS)

The SY84113BU generates a chatter-free LOSs-of-signal (LOS) open-collector TTL output as shown in Figure 4. LOS is used to determine that the input amplitude is too small to be considered as a valid input. LOS asserts high if the input amplitude falls below the threshold set by  $\text{LOSLVL}$  and de-asserts low otherwise. LOS can be fed back to the enable (/EN) input to maintain output stability under a LOSs of signal condition. /EN de-asserts low the true output signal without removing the input signals. Typically, 3dB LOS hysteresis is provided to prevent chattering.

### LOS Level Set

A programmable LOS level set pin ( $\text{LOS}_{\text{LVL}}$ ) sets the threshold of the input amplitude detection. Connecting an external resistor between  $V_{\text{CC}}$  and  $\text{LOS}_{\text{LVL}}$  sets the voltage at  $\text{LOS}_{\text{LVL}}$ . This voltage ranges from  $V_{\text{CC}}$  to VREF. The external resistor creates a voltage divider between  $V_{\text{CC}}$  and VREF, as shown in Figure 5.

### Hysteresis

The SY84113BU provides typically 3dB LOS electrical hysteresis, which is defined as  $20\log(V_{\text{IN}_{\text{LOS-Assert}}} / V_{\text{IN}_{\text{LOS-De-Assert}}})$ . Because the relationship between the voltage out of the ROSA to optical power at its input is linear, the optical hysteresis will be typically half of the electrical hysteresis reported in the datasheet, but in practice the ratio between electrical and optical hysteresis is found to be within the range 1.5 - 1.8. Thus 3dB electrical hysteresis will correspond to an optical hysteresis within the range 1.7dB - 2dB.

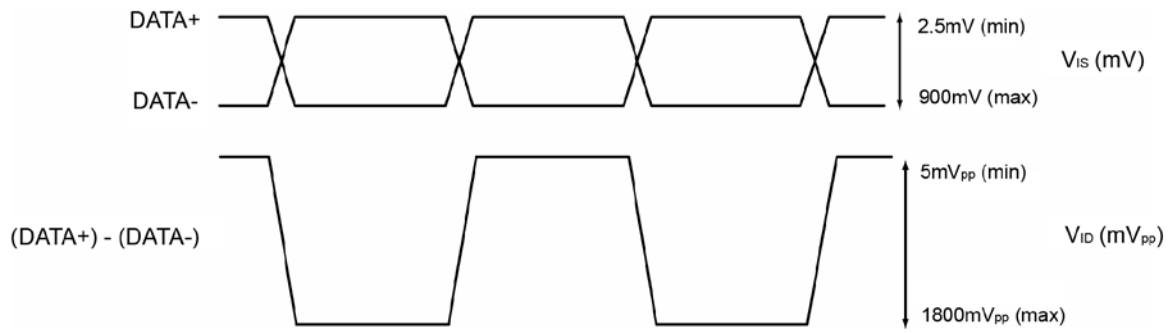


Figure 1. VIS and VID Definition

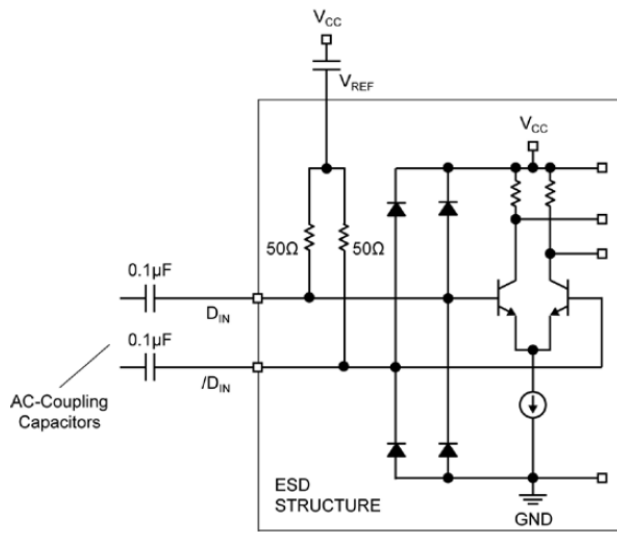


Figure 2. Input Structure

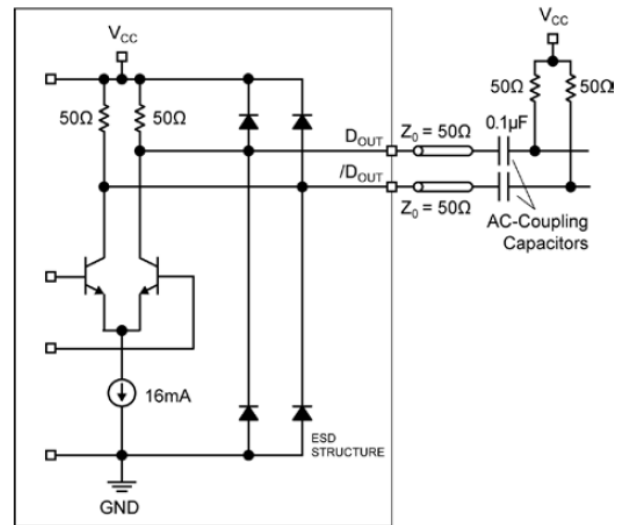


Figure 3. Output Structure

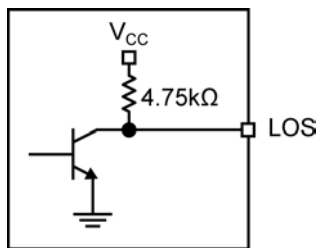


Figure 4. LOS Output Structure

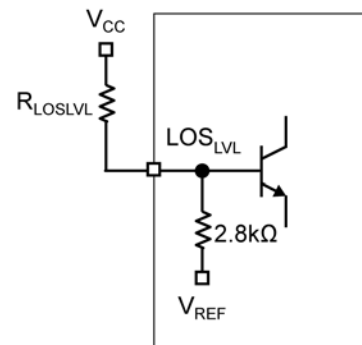
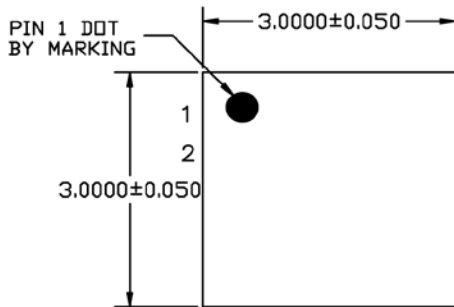


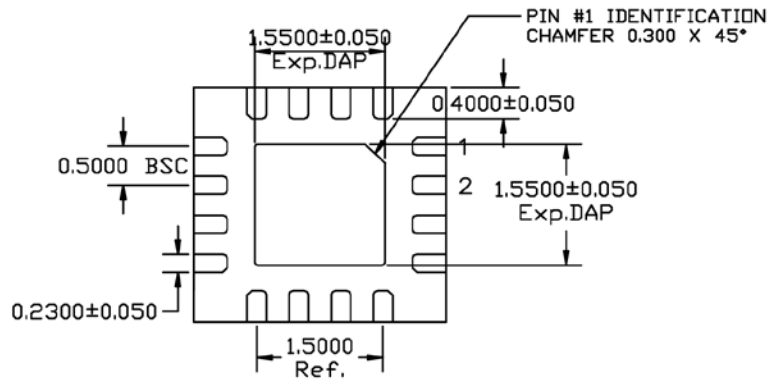
Figure 5.  $LOSL_{LVL}$  Setting Circuit  
 Note: Recommended value for  $R_{LOSL_{LVL}}$  is 15kΩ or less.



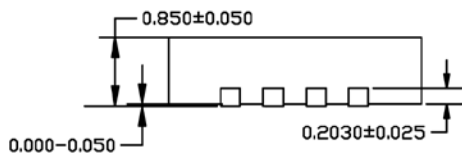
**Package Information and Recommended Land Pattern<sup>(11)</sup>**



TOP VIEW  
NOTE: 1, 2, 3



BOTTOM VIEW  
NOTE: 1, 2, 3



SIDE VIEW  
NOTE: 1, 2, 3

**NOTE:**

1. MAX PACKAGE WARPAGE IS 0.05 MM
2. MAX ALLOWABLE BURR IS 0.076 MM IN ALL DIRECTIONS
3. PIN #1 IS ON TOP WILL BE LASER MARKED
4. RED CIRCLE IN LAND PATTERN INDICATE THERMAL VIA. SIZE SHOULD BE 0.30-0.35 MM IN DIAMETER AND SHOULD BE CONNECTED TO GND FOR MAX THERMAL PERFORMANCE
5. GREEN RECTANGLES (SHADED AREA) INDICATE SOLDER STENCIL OPENING ON EXPOSED PAD AREA. SIZE SHOULD BE 0.60x0.60 MM IN SIZE, 0.20 MM SPACING.

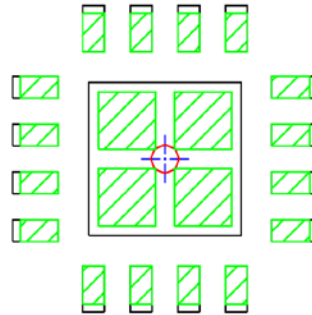
**16-Pin (3mm x 3mm) QFN (QFN-16)**

**Note:**

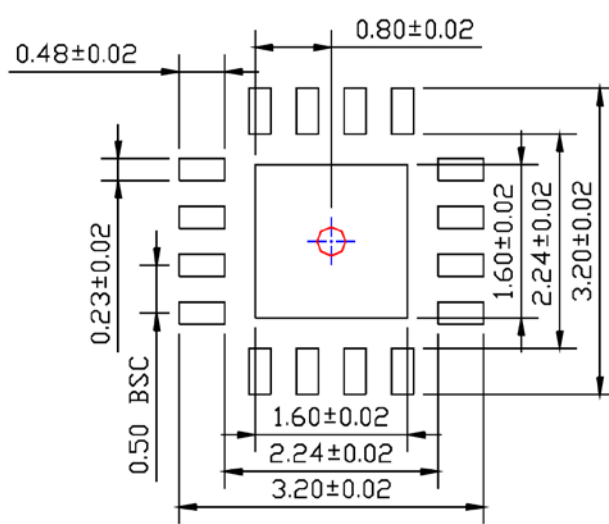
11. Package information is correct as of the publication date. For updates and most current information, go to [www.micrel.com](http://www.micrel.com).

**Package Information and Recommended Land Pattern<sup>(11)</sup> (Continued)**

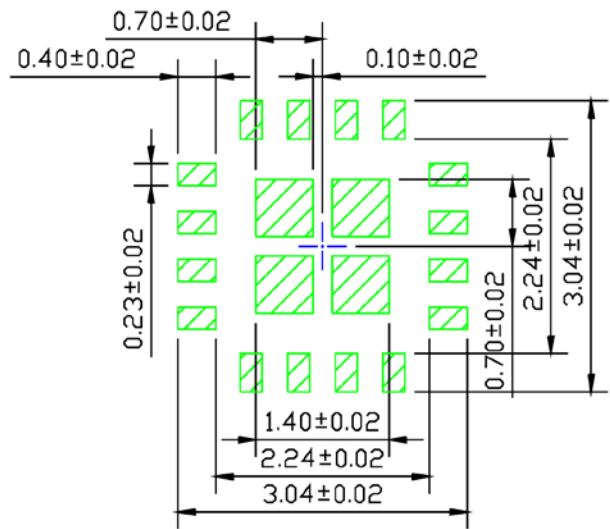
**RECOMMENDED LAND PATTERN**  
NOTE: 4, 5



**STACKED-UP**



**EXPOSED METAL TRACE**



**SOLDER STENCIL OPENING**

---

**MICREL, INC. 2180 FORTUNE DRIVE SAN JOSE, CA 95131 USA**  
TEL +1 (408) 944-0800 FAX +1 (408) 474-1000 WEB <http://www.micrel.com>

Micrel, Inc. is a leading global manufacturer of IC solutions for the worldwide high performance linear and power, LAN, and timing & communications markets. The Company's products include advanced mixed-signal, analog & power semiconductors; high-performance communication, clock management, MEMs-based clock oscillators & crystal-less clock generators, Ethernet switches, and physical layer transceiver ICs. Company customers include leading manufacturers of enterprise, consumer, industrial, mobile, telecommunications, automotive, and computer products. Corporation headquarters and state-of-the-art wafer fabrication facilities are located in San Jose, CA, with regional sales and support offices and advanced technology design centers situated throughout the Americas, Europe, and Asia. Additionally, the Company maintains an extensive network of distributors and reps worldwide.

Micrel makes no representations or warranties with respect to the accuracy or completeness of the information furnished in this datasheet. This information is not intended as a warranty and Micrel does not assume responsibility for its use. Micrel reserves the right to change circuitry, specifications and descriptions at any time without notice. No license, whether express, implied, arising by estoppel or otherwise, to any intellectual property rights is granted by this document. Except as provided in Micrel's terms and conditions of sale for such products, Micrel assumes no liability whatsoever, and Micrel disclaims any express or implied warranty relating to the sale and/or use of Micrel products including liability or warranties relating to fitness for a particular purpose, merchantability, or infringement of any patent, copyright, or other intellectual property right.

Micrel Products are not designed or authorized for use as components in life support appliances, devices or systems where malfunction of a product can reasonably be expected to result in personal injury. Life support devices or systems are devices or systems that (a) are intended for surgical implant into the body or (b) support or sustain life, and whose failure to perform can be reasonably expected to result in a significant injury to the user. A Purchaser's use or sale of Micrel Products for use in life support appliances, devices or systems is a Purchaser's own risk and Purchaser agrees to fully indemnify Micrel for any damages resulting from such use or sale.

© 2010 Micrel, Incorporated.

## X-ON Electronics

Largest Supplier of Electrical and Electronic Components

*Click to view similar products for [Limiting Amplifiers](#) category:*

*Click to view products by [Microchip](#) manufacturer:*

Other Similar products are found below :

[HMC750LP4E](#) [HMC865LC3](#) [HMC866LC3](#) [SY88403BLEY](#) [MAX3747BEUB+T](#) [MAX3272AETP+T](#) [MAX3711ETG+](#) [MAX3645EEE+](#)  
[MAX3645EEE+T](#) [MAX3861ETG+](#) [SY88993AVKG](#) [MAX3748HETE+T](#) [SY88083LMG](#) [SY88773VMG](#) [SY88053CLMG](#) [SY88073LMG](#)  
[SY88149HLMG](#) [SY88923VKG](#) [SY88903VKG-TR](#) [SY88903ALKG-TR](#) [SY88813VKG](#) [SY88303BLMG](#) [SY88149NDLMG-TR](#)  
[SY88303BLEY](#) [SY88349NDLMG](#) [SY88803VKG](#) [SY88933VKG](#) [SY88053CLMG-TR](#) [ONET1191PRGTT](#) [ONET4201PARGTR](#)  
[ONET4251PARGTR](#) [ONET8501PBRGTR](#) [ONET8501PBRGTT](#) [ONET1191PRGTR](#) [MAX3945ETE+](#) [MAX3748HETE#G16](#)  
[MAX3268CUB+](#) [SY88943VKG](#) [SY88149HALMG](#) [MAX3945ETE+T](#) [ONET4201PARGTT](#)