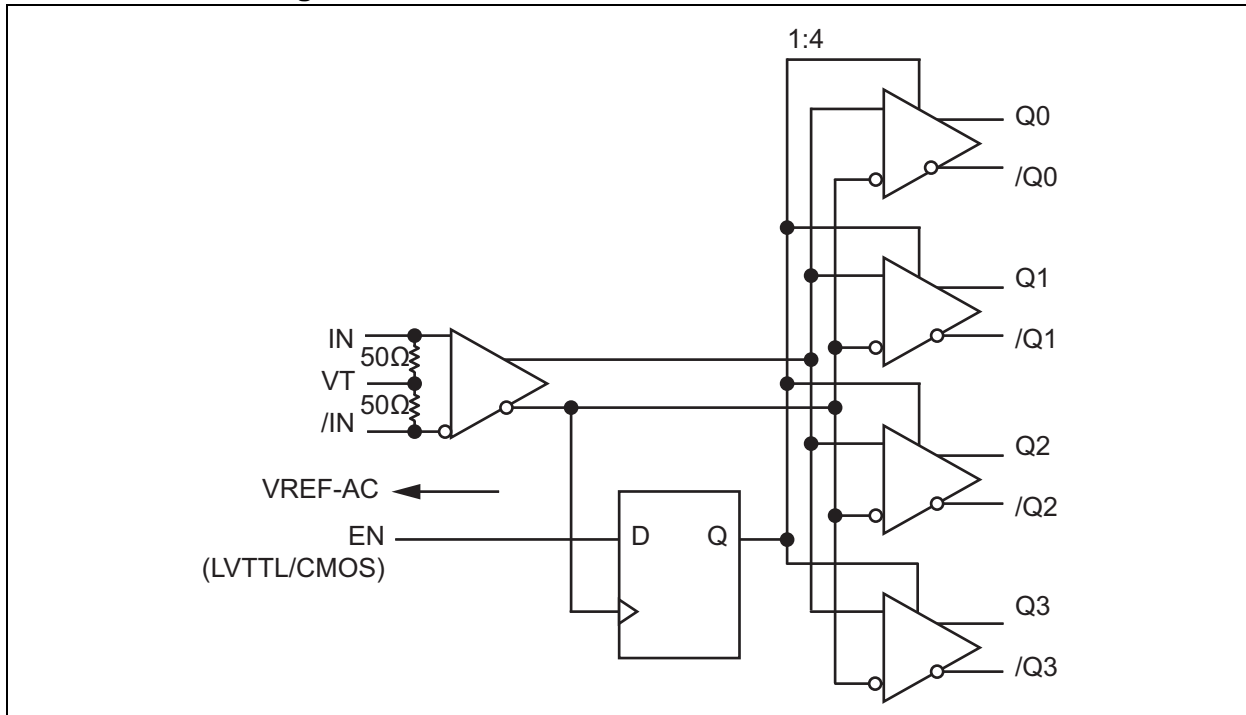




# SY89833AL

## Functional Block Diagram



## 1.0 ELECTRICAL CHARACTERISTICS

### Absolute Maximum Ratings †

Supply Voltage ( $V_{CC}$ ) .....	-0.5V to +4.0V
Input Voltage ( $V_{IN}$ ) .....	-0.5V to $V_{CC} + 0.3V$
LVDS Output Current ( $I_{OUT}$ ).....	+10 mA
Input Current Source or Sink Current on ( $I_N$ , $/I_N$ ).....	$\pm 50$ mA
$V_T$ Current Source or Sink Current on ( $V_T$ ).....	$\pm 100$ mA
$V_{REF-AC}$ Current Source or Sink Current on ( $V_{REF-AC}$ ).....	$\pm 2$ mA

### Operating Ratings ‡

Supply Voltage Range .....	+3.0V to +3.6V
----------------------------	----------------

† **Notice:** Stresses above those listed under “Absolute Maximum Ratings” may cause permanent damage to the device. This is a stress rating only and functional operation of the device at those or any other conditions above those indicated in the operational sections of this specification is not intended. Exposure to maximum rating conditions for extended periods may affect device reliability.

‡ **Notice:** The device is not guaranteed to function outside its operating ratings.

# SY89833AL

**TABLE 1-1: ELECTRICAL CHARACTERISTICS**

Electrical Characteristics: $T_A = -40^{\circ}\text{C}$ to $+85^{\circ}\text{C}$ , unless otherwise stated. (Note 1).						
Symbol	Parameters	Min.	Typ.	Max.	Units	Conditions
$V_{CC}$	Power Supply Voltage Range	3.0	3.3	3.6	V	—
$I_{CC}$	Power Supply Current	—	75	100	mA	No load; max. $V_{CC}$
$R_{IN}$	Input Resistance (IN-to- $V_T$ )	45	50	55	$\Omega$	—
$R_{DIFF-IN}$	Differential Input Resistance (IN-to-/IN)	90	100	110	$\Omega$	—
$V_{IH}$	Input High Voltage (IN-to-/IN)	1.2	—	$V_{CC}$	V	—
$V_{IL}$	Input Low Voltage (IN-to-/IN)	0	—	$V_{IH} - 0.1$	V	—
$V_{IN}$	Input Voltage Swing (IN-to-/IN)	0.1	—	1.7	V	See Figure 5-3
$V_{DIFF\_IN}$	Differential Input Voltage	0.2	—	—	V	See Figure 5-4
$ I_{IN} $	Input Current (IN, /IN)	—	—	45	mA	Note 2
$V_{REF-AC}$	Reference Voltage	$V_{CC} - 1.525$	$V_{CC} - 1.425$	$V_{CC} - 1.325$	V	—

**Note 1:** The circuit is designed to meet the DC specifications shown in the above table after thermal equilibrium has been established.

- 2:** Due to the internal termination (see "Input Buffer Structure" section) the input current depends on the applied voltages at IN, /IN, and  $V_T$  inputs. Do not apply a combination of voltages that causes the input current to exceed the maximum limit.

**TABLE 1-2: LVDS OUTPUTS DC ELECTRICAL CHARACTERISTICS**

Electrical Characteristics: $V_{CC} = 3.3\text{V} \pm 10\%$ , $R_L = 100\Omega$ across the outputs; $T_A = -40^{\circ}\text{C}$ to $+85^{\circ}\text{C}$ . (Note 1)						
Symbol	Parameters	Min.	Typ.	Max.	Units	Conditions
$V_{OUT}$	Output Voltage Swing	250	325	—	mV	see Figure 5-3
$V_{DIFF\_OUT}$	Differential Output Voltage Swing	500	650	—	mV	see Figure 5-4
$V_{OCM}$	Output Common-Mode Voltage	1.125	—	1.275	V	—
$\Delta V_{OCM}$	Change in Common-Mode Voltage	-50	—	50	mV	—

**Note 1:** The circuit is designed to meet the DC specifications shown in the above table after thermal equilibrium has been established.

**TABLE 1-3: LVTTTL/CMOS DC ELECTRICAL CHARACTERISTICS**

Electrical Characteristics: $V_{CC} = 3.3\text{V} \pm 10\%$ , $T_A = -40^{\circ}\text{C}$ to $+85^{\circ}\text{C}$ . (Note 1)						
Symbol	Parameters	Min.	Typ.	Max.	Units	Conditions
$V_{IH}$	Input High Voltage	2.0	—	$V_{CC}$	V	—
$V_{IL}$	Input Low Voltage	0	—	0.8	V	—
$I_{IH}$	Input High Current	-125	—	30	$\mu\text{A}$	—
$I_{IL}$	Input Low Current	-300	—	—	$\mu\text{A}$	—

**Note 1:** The circuit is designed to meet the DC specifications shown in the above table after thermal equilibrium has been established.

**TABLE 1-4: AC ELECTRICAL CHARACTERISTICS**

**Electrical Characteristics:**  $V_{CC} = 3.3V \pm 10\%$ ,  $R_L = 100\Omega$  across the outputs;  $T_A = -40^\circ C$  to  $+85^\circ C$  unless otherwise stated. (Note 1)

Symbol	Parameters	Min.	Typ.	Max.	Units	Conditions
$f_{MAX}$	Maximum Frequency	2.0	—	—	GHz	$V_{OUT} \geq 200$ mV
$t_{pd}$	Propagation Delay	250	—	470	ps	—
$t_{SKEW}$	Within-Device Skew	—	5	20	ps	Note 2
	Part-to-Part Skew	—	—	200	ps	Note 3
$t_S$	Set-Up Time	400	—	—	ps	Note 4
$t_H$	Hold Time	400	—	—	ps	Note 4
$t_{JITTER}$	Additive Phase Jitter, RMS	—	80	—	fs	622.08 MHz @ 3.3V, Integration range: 12 kHz to 20 MHz
$t_r/t_f$	Output Rise/Fall Times (20% to 80%)	60	110	190	ps	At Full Output Swing
—	Duty Cycle	47	—	53	%	Differential I/O

- Note 1:** High-frequency AC parameters are guaranteed by design and characterization.
- 2:** Within device skew is measured between two different outputs under identical input transitions.
- 3:** Part-to-part skew is defined for two parts with identical power supply voltages at the same temperature and no skew at the edges at the respective inputs.
- 4:** Set-up and hold times apply to synchronous applications that intend to enable/disable before the next clock cycle. For asynchronous applications, set-up and hold times do not apply.

# SY89833AL

## TEMPERATURE SPECIFICATIONS

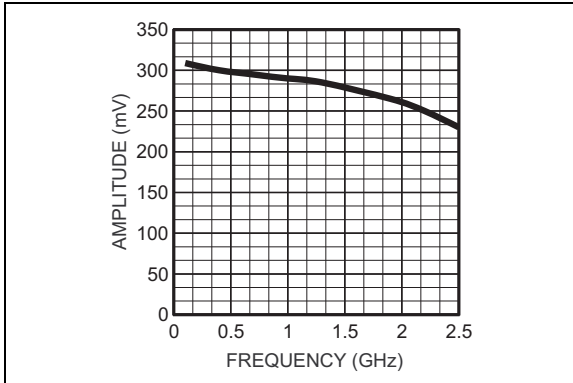
Parameters	Sym.	Min.	Typ.	Max.	Units	Conditions
<b>Temperature Ranges</b>						
Junction Operating Temperature	$T_J$	—	—	+125	°C	Note 1
Storage Temperature Range	$T_S$	-65	—	+150	°C	—
Lead Temperature	—	—	—	+260	°C	Soldering, 20s
Ambient Temperature	$T_A$	-40	—	+85	°C	—
<b>Package Thermal Resistances (Note 2)</b>						
16-pin 3 mm x 3 mm QFN (Still-Air)	$\theta_{JA}$	—	60	—	°C/W	—
16-pin 3 mm x 3 mm QFN	$\Psi_{JB}$	—	33	—	°C/W	—

- Note 1:** The maximum allowable power dissipation is a function of ambient temperature, the maximum allowable junction temperature and the thermal resistance from junction to air (i.e.,  $T_A$ ,  $T_J$ ,  $\theta_{JA}$ ). Exceeding the maximum allowable power dissipation will cause the device operating junction temperature to exceed the maximum +125°C rating. Sustained junction temperatures above +125°C can impact the device reliability.
- 2:** Package thermal resistance assumes exposed pad is soldered (or equivalent) to the device's most negative potential on the PCB.  $\Psi_{JB}$  and  $\theta_{JA}$  values are determined for a 4-layer board in still-air number, unless otherwise stated.

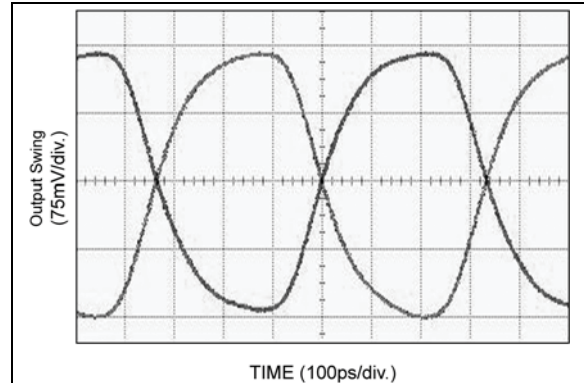
## 2.0 TYPICAL PERFORMANCE CURVES

**Note:** The graphs and tables provided following this note are a statistical summary based on a limited number of samples and are provided for informational purposes only. The performance characteristics listed herein are not tested or guaranteed. In some graphs or tables, the data presented may be outside the specified operating range (e.g., outside specified power supply range) and therefore outside the warranted range.

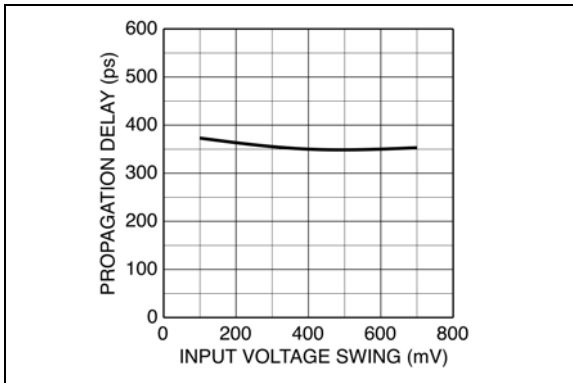
$V_{CC} = 3.3V$ ,  $GND = 0V$ ,  $V_{IN} = 400\text{ mV}$ ,  $R_L = 100\Omega$  across the outputs;  $T_A = +25^\circ\text{C}$  unless otherwise stated.



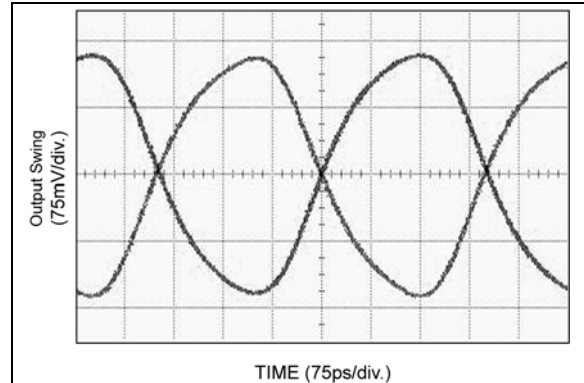
**FIGURE 2-1:** Output Swing vs. Frequency.



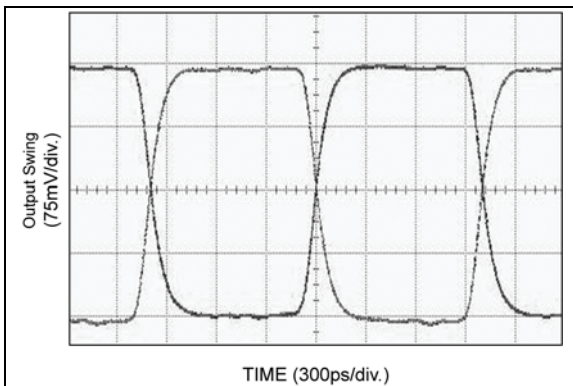
**FIGURE 2-4:** 1.5 GHz Output.



**FIGURE 2-2:** Propagation Delay vs. Input Voltage Swing.

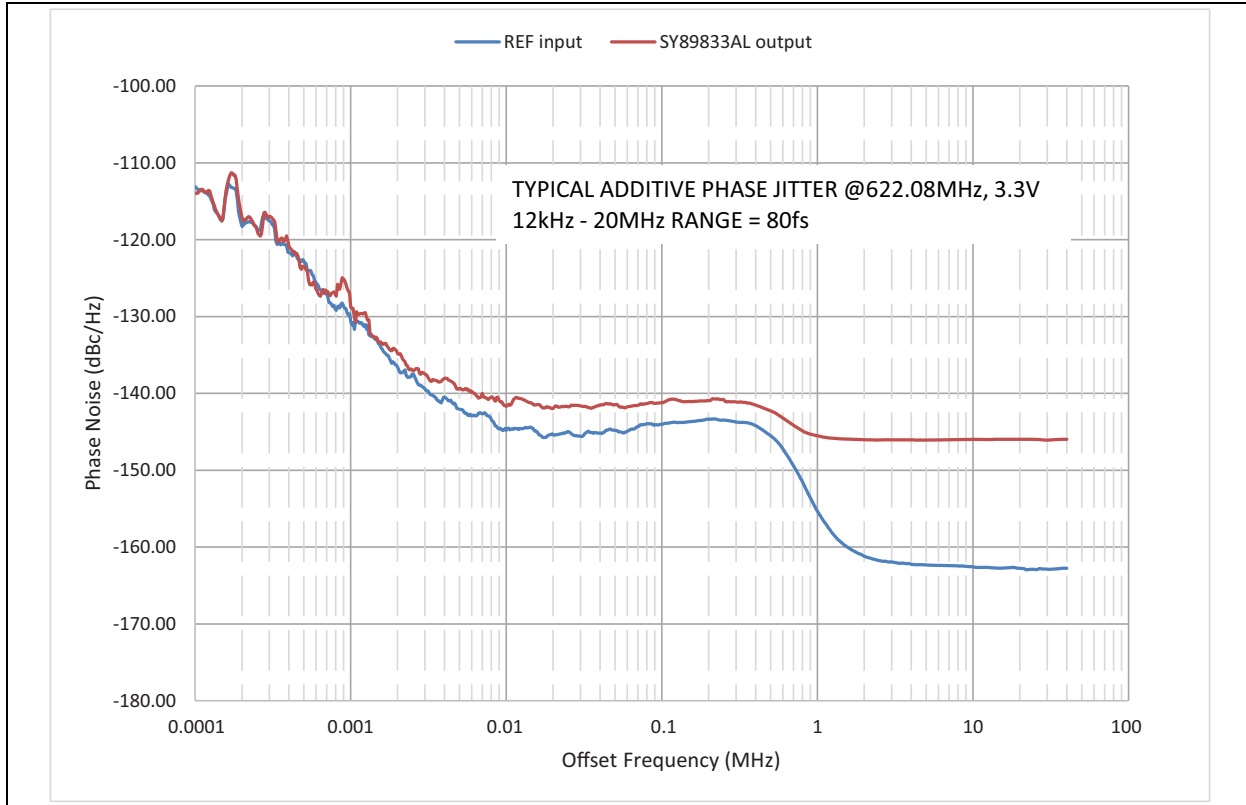


**FIGURE 2-5:** 2 GHz Output.

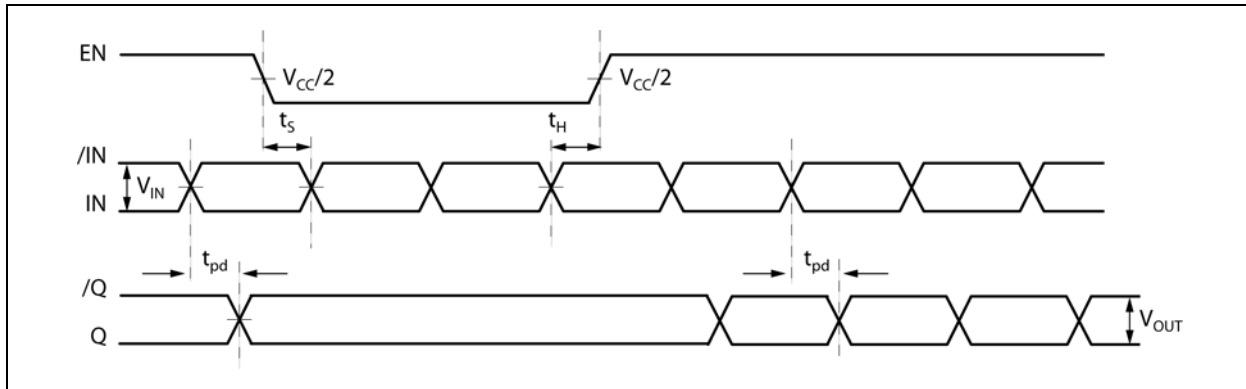


**FIGURE 2-3:** 500 MHz Output.

# SY89833AL



**FIGURE 2-6:** Typical Additive Phase Jitter.



**FIGURE 2-7:** Timing Diagram.



## 3.0 PIN DESCRIPTIONS

The descriptions of the pins are listed in [Table 3-1](#).

**TABLE 3-1: PIN FUNCTION TABLE**

Pin Number	Pin Name	Description
15, 16 1, 2 3, 4 5, 6	Q0, /Q0 Q1, /Q1 Q2, /Q2 Q3, /Q3	LVDS Differential Outputs: Normally terminated with 100Ω across the pair (Q, /Q). See the <a href="#">LVDS Outputs</a> section, <a href="#">Figure 5-1</a> . Unused outputs should be terminated with a 100Ω resistor across each pair.
8	EN	This single-ended TTL/CMOS-compatible input functions as a synchronous output enable. The synchronous enable ensures that enable/disable will only occur when the outputs are in a logic low state. Note that this input is internally connected to a 25 kΩ pull-up resistor and will default to logic high state (enabled) if left open.
9, 12	/IN, IN	Differential Input: This input pair is the differential signal input to the device. Input accepts AC- or DC-Coupled differential signals as small as 100 mV. Each pin of the pair internally terminates to a V <sub>T</sub> pin through 50Ω. Note that this input will default to an intermediate state if left open. Please refer to the <a href="#">Input Interface Applications</a> section for more details.
10	V <sub>REF-AC</sub>	Reference Voltage: These outputs bias to V <sub>CC</sub> – 1.425V. They are used when AC coupling the inputs (IN, /IN). For AC-coupled applications, connect V <sub>REF-AC</sub> to V <sub>T</sub> pin and bypass with 0.01 μF low-ESR capacitor to V <sub>CC</sub> . See the <a href="#">Input Interface Applications</a> section for more details. Maximum sink/source current is ±1.5 mA.
11	V <sub>T</sub>	Input Termination Center-Tap: Each side of the differential input pair terminates to a V <sub>T</sub> pin. The V <sub>T</sub> pin provides a center-tap to a termination network for maximum interface flexibility. See the <a href="#">Input Interface Applications</a> section for more details.
13	GND	Ground. GND pin and exposed pad must be connected to the most negative potential of the device ground.
7, 14	V <sub>CC</sub>	Positive Power Supply: Bypass with 0.1 μF//0.01 μF low-ESR capacitors and place as close as possible to each V <sub>CC</sub> pin.

**TABLE 3-2: TRUTH TABLE**

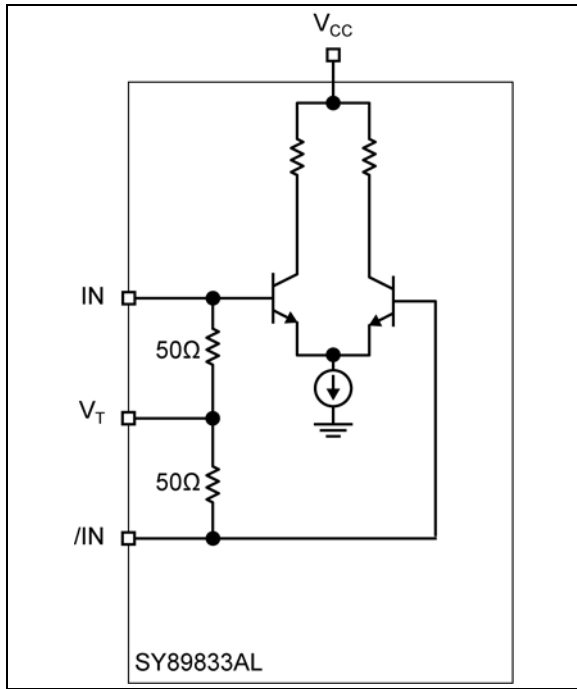
IN	/IN	EN	Q	/Q
0	1	1	0	1
1	0	1	1	0
X	X	0	0 ( <a href="#">Note 1</a> )	1 ( <a href="#">Note 1</a> )

**Note 1:** On next negative transition of the input signal (IN).

# SY89833AL

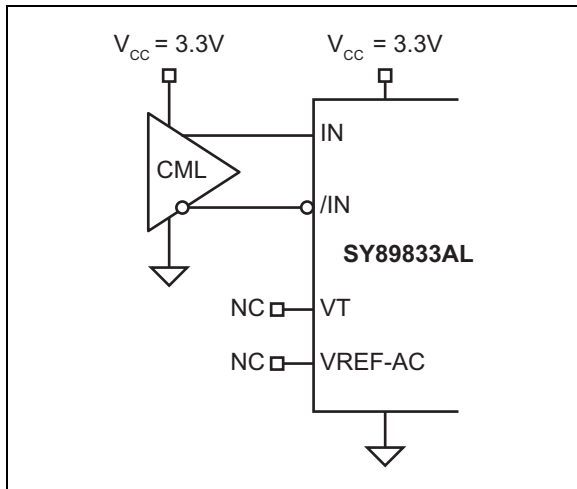
## 4.0 INPUT INFORMATION

### 4.1 Input Stage

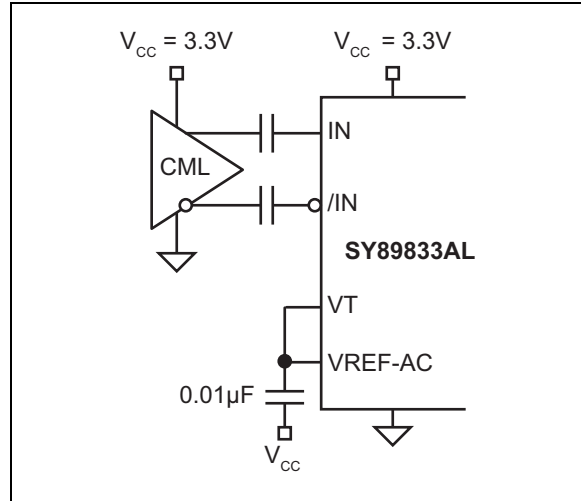


**FIGURE 4-1:** Simplified Differential Input Buffer.

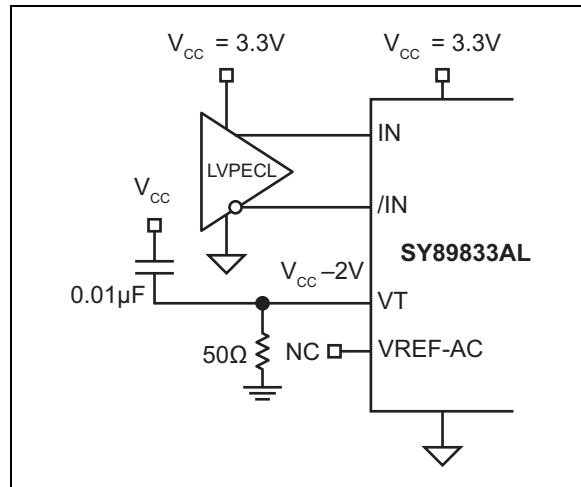
### 4.2 Input Interface Applications



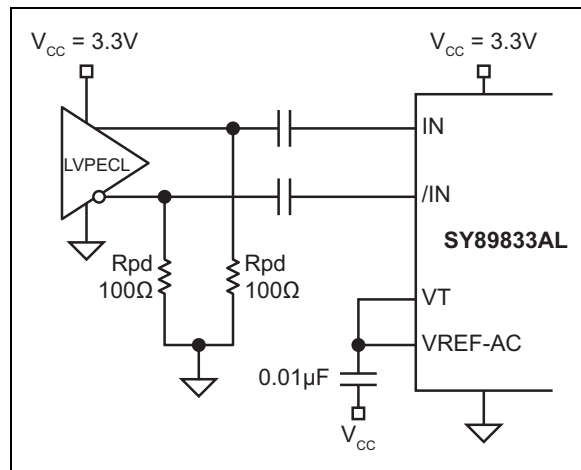
**FIGURE 4-2:** DC-Coupled CML Input Interface (Option: May Connect  $V_T$  to  $V_{CC}$ ).



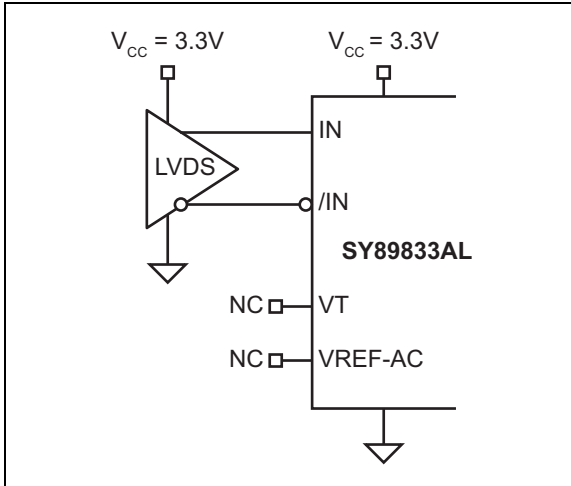
**FIGURE 4-3:** AC-Coupled CML Input Interface.



**FIGURE 4-4:** DC-Coupled LVPECL Input Interface.



**FIGURE 4-5:** AC-Coupled LVPECL Input Interface.

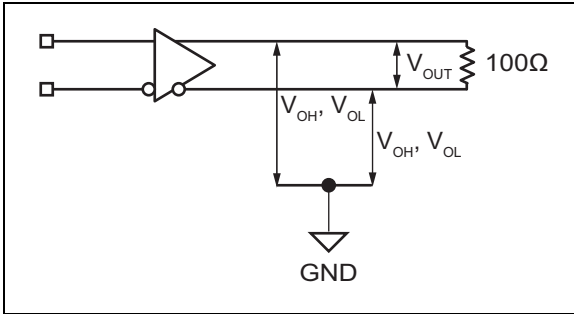


**FIGURE 4-6:** LVDS Input Interface.

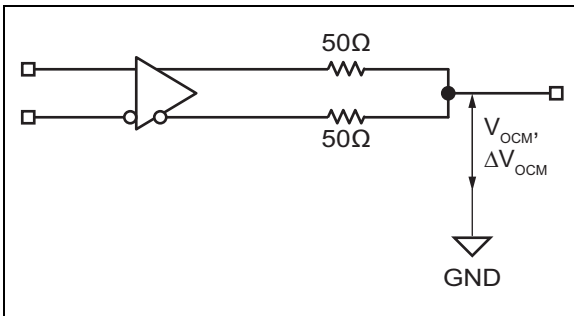
# SY89833AL

## 5.0 LVDS OUTPUTS

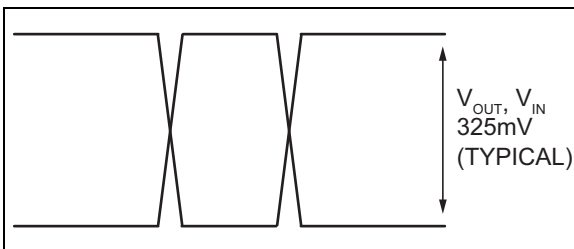
LVDS specifies a small swing of 325 mV typical, on a nominal 1.20V common-mode above ground. The common-mode voltage has tight limits to permit large variations in ground noise between a LVDS driver and receiver.



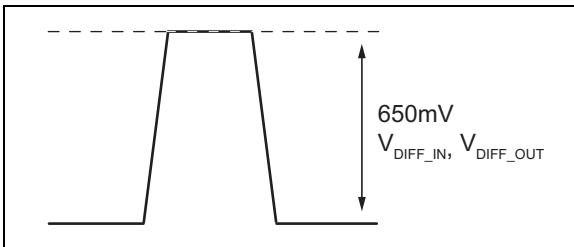
**FIGURE 5-1:** LVDS Differential Measurement.



**FIGURE 5-2:** LVDS Common-Mode Measurement.



**FIGURE 5-3:** Single-Ended Swing.



**FIGURE 5-4:** Differential Swing.



# SY89833AL

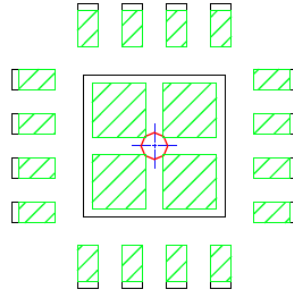
## 16-Lead QFN 3 mm x 3 mm Recommended Land Pattern

**Note:** For the most current package drawings, please see the Microchip Packaging Specification located at <http://www.microchip.com/packaging>

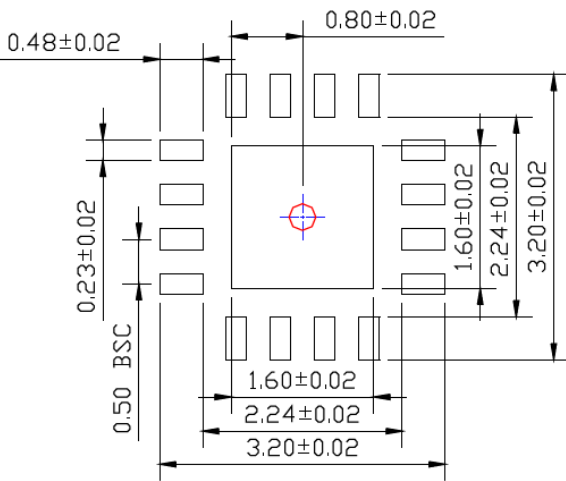
POD-Land Pattern drawing # QFN33-16LD-PL-1

### RECOMMENDED LAND PATTERN

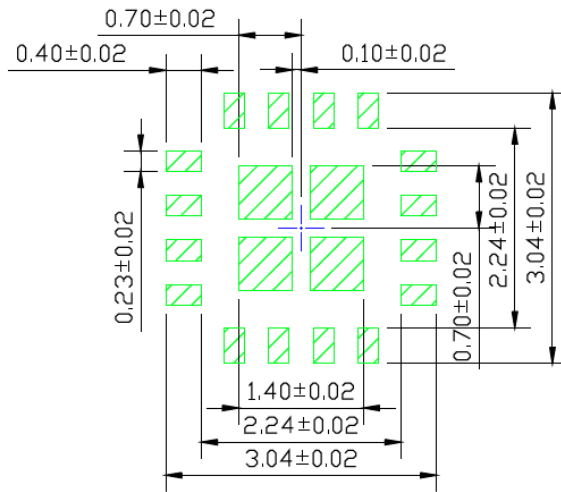
NOTE: 4, 5



STACKED-UP



EXPOSED METAL TRACE



SOLDER STENCIL OPENING

## APPENDIX A: REVISION HISTORY

### Revision A (January 2018)

- Converted Micrel document SY89833AL to Microchip data sheet DS20005608A.
- Minor text changes throughout.
- Updated [Figure 2-6](#).

# SY89833AL

---

NOTES:



## PRODUCT IDENTIFICATION SYSTEM

To order or obtain information, e.g., on pricing or delivery, contact your local Microchip representative or sales office.

<u>PART NO.</u>	X	X	X	—	XX
Device	Voltage Option	Package	Temperature		Special Processing
<b>Device:</b> SY89833A:	3.3V Low-Noise, Ultra-Precision 1:4 LVDS Fanout Buffer/Translator with Internal Termination				
<b>Voltage Option:</b> L =	3.3V Only				
<b>Package:</b> M =	16-Pin 3 mm x 3 mm QFN				
<b>Temperature:</b> G =	-40°C to +85°C				
<b>Special Processing:</b>	Blank = Bulk, 100 pcs. TR = Tape and Reel, 1000/Reel				
<b>Note 1:</b> Contact factory for die availability. Dice are guaranteed at $T_A = 25^\circ\text{C}$ , DC Electricals only.					

### Examples:

- a) SY89833ALMG: 3.3V Low-Noise, Ultra-Precision 1:4 LVDS Fanout Buffer/Translator with Internal Termination, 3.3V Voltage Option, -40°C to +85°C Temp. Range, 16-Pin QFN, 100 pcs.
- b) SY89833ALMG-TR: 3.3V Low-Noise, Ultra-Precision 1:4 LVDS Fanout Buffer/Translator with Internal Termination, 3.3V Voltage Option, -40°C to +85°C Temp. Range, 16-Pin QFN, 1000/Reel

# SY89833AL

---

NOTES:

---

**Note the following details of the code protection feature on Microchip devices:**

- Microchip products meet the specification contained in their particular Microchip Data Sheet.
- Microchip believes that its family of products is one of the most secure families of its kind on the market today, when used in the intended manner and under normal conditions.
- There are dishonest and possibly illegal methods used to breach the code protection feature. All of these methods, to our knowledge, require using the Microchip products in a manner outside the operating specifications contained in Microchip's Data Sheets. Most likely, the person doing so is engaged in theft of intellectual property.
- Microchip is willing to work with the customer who is concerned about the integrity of their code.
- Neither Microchip nor any other semiconductor manufacturer can guarantee the security of their code. Code protection does not mean that we are guaranteeing the product as “unbreakable.”

Code protection is constantly evolving. We at Microchip are committed to continuously improving the code protection features of our products. Attempts to break Microchip's code protection feature may be a violation of the Digital Millennium Copyright Act. If such acts allow unauthorized access to your software or other copyrighted work, you may have a right to sue for relief under that Act.

---

Information contained in this publication regarding device applications and the like is provided only for your convenience and may be superseded by updates. It is your responsibility to ensure that your application meets with your specifications. MICROCHIP MAKES NO REPRESENTATIONS OR WARRANTIES OF ANY KIND WHETHER EXPRESS OR IMPLIED, WRITTEN OR ORAL, STATUTORY OR OTHERWISE, RELATED TO THE INFORMATION, INCLUDING BUT NOT LIMITED TO ITS CONDITION, QUALITY, PERFORMANCE, MERCHANTABILITY OR FITNESS FOR PURPOSE. Microchip disclaims all liability arising from this information and its use. Use of Microchip devices in life support and/or safety applications is entirely at the buyer's risk, and the buyer agrees to defend, indemnify and hold harmless Microchip from any and all damages, claims, suits, or expenses resulting from such use. No licenses are conveyed, implicitly or otherwise, under any Microchip intellectual property rights unless otherwise stated.

*Microchip received ISO/TS-16949:2009 certification for its worldwide headquarters, design and wafer fabrication facilities in Chandler and Tempe, Arizona; Gresham, Oregon and design centers in California and India. The Company's quality system processes and procedures are for its PIC® MCUs and dsPIC® DSCs, KEELoQ® code hopping devices, Serial EEPROMs, microperipherals, nonvolatile memory and analog products. In addition, Microchip's quality system for the design and manufacture of development systems is ISO 9001:2000 certified.*

**QUALITY MANAGEMENT SYSTEM  
CERTIFIED BY DNV  
= ISO/TS 16949 =**

### Trademarks

The Microchip name and logo, the Microchip logo, AnyRate, AVR, AVR logo, AVR Freaks, BeaconThings, BitCloud, CryptoMemory, CryptoRF, dsPIC, FlashFlex, flexPWR, Heldo, JukeBlox, KEELoQ, KEELoQ logo, Kleer, LANCheck, LINK MD, maXStylus, maXTouch, MediaLB, megaAVR, MOST, MOST logo, MPLAB, OptoLyzer, PIC, picoPower, PICSTART, PIC32 logo, Prochip Designer, QTouch, RightTouch, SAM-BA, SpyNIC, SST, SST Logo, SuperFlash, tinyAVR, UNI/O, and XMEGA are registered trademarks of Microchip Technology Incorporated in the U.S.A. and other countries.

ClockWorks, The Embedded Control Solutions Company, EtherSynch, Hyper Speed Control, HyperLight Load, IntelliMOS, mTouch, Precision Edge, and Quiet-Wire are registered trademarks of Microchip Technology Incorporated in the U.S.A.

Adjacent Key Suppression, AKS, Analog-for-the-Digital Age, Any Capacitor, AnyIn, AnyOut, BodyCom, chipKIT, chipKIT logo, CodeGuard, CryptoAuthentication, CryptoCompanion, CryptoController, dsPICDEM, dsPICDEM.net, Dynamic Average Matching, DAM, ECAN, EtherGREEN, In-Circuit Serial Programming, ICSP, Inter-Chip Connectivity, JitterBlocker, KleerNet, KleerNet logo, Mindi, MiWi, motorBench, MPASM, MPF, MPLAB Certified logo, MPLIB, MPLINK, MultiTRAK, NetDetach, Omniscient Code Generation, PICDEM, PICDEM.net, PICKit, PICtail, PureSilicon, QMatrix, RightTouch logo, REAL ICE, Ripple Blocker, SAM-ICE, Serial Quad I/O, SMART-I.S., SQI, SuperSwitcher, SuperSwitcher II, Total Endurance, TSHARC, USBCheck, VariSense, ViewSpan, WiperLock, Wireless DNA, and ZENA are trademarks of Microchip Technology Incorporated in the U.S.A. and other countries.

SQTP is a service mark of Microchip Technology Incorporated in the U.S.A.

Silicon Storage Technology is a registered trademark of Microchip Technology Inc. in other countries.

GestIC is a registered trademark of Microchip Technology Germany II GmbH & Co. KG, a subsidiary of Microchip Technology Inc., in other countries.

All other trademarks mentioned herein are property of their respective companies.

© 2018, Microchip Technology Incorporated, All Rights Reserved.  
ISBN: 978-1-5224-2597-7



# MICROCHIP

## Worldwide Sales and Service

### AMERICAS

**Corporate Office**  
2355 West Chandler Blvd.  
Chandler, AZ 85224-6199  
Tel: 480-792-7200  
Fax: 480-792-7277  
Technical Support:  
<http://www.microchip.com/support>  
Web Address:  
[www.microchip.com](http://www.microchip.com)

#### Atlanta

Duluth, GA  
Tel: 678-957-9614  
Fax: 678-957-1455

#### Austin, TX

Tel: 512-257-3370

#### Boston

Westborough, MA  
Tel: 774-760-0087  
Fax: 774-760-0088

#### Chicago

Itasca, IL  
Tel: 630-285-0071  
Fax: 630-285-0075

#### Dallas

Addison, TX  
Tel: 972-818-7423  
Fax: 972-818-2924

#### Detroit

Novi, MI  
Tel: 248-848-4000

#### Houston, TX

Tel: 281-894-5983

#### Indianapolis

Noblesville, IN  
Tel: 317-773-8323  
Fax: 317-773-5453  
Tel: 317-536-2380

#### Los Angeles

Mission Viejo, CA  
Tel: 949-462-9523  
Fax: 949-462-9608  
Tel: 951-273-7800

#### Raleigh, NC

Tel: 919-844-7510

#### New York, NY

Tel: 631-435-6000

#### San Jose, CA

Tel: 408-735-9110  
Tel: 408-436-4270

#### Canada - Toronto

Tel: 905-695-1980  
Fax: 905-695-2078

### ASIA/PACIFIC

**Australia - Sydney**  
Tel: 61-2-9868-6733

**China - Beijing**  
Tel: 86-10-8569-7000

**China - Chengdu**  
Tel: 86-28-8665-5511

**China - Chongqing**  
Tel: 86-23-8980-9588

**China - Dongguan**  
Tel: 86-769-8702-9880

**China - Guangzhou**  
Tel: 86-20-8755-8029

**China - Hangzhou**  
Tel: 86-571-8792-8115

**China - Hong Kong SAR**  
Tel: 852-2943-5100

**China - Nanjing**  
Tel: 86-25-8473-2460

**China - Qingdao**  
Tel: 86-532-8502-7355

**China - Shanghai**  
Tel: 86-21-3326-8000

**China - Shenyang**  
Tel: 86-24-2334-2829

**China - Shenzhen**  
Tel: 86-755-8864-2200

**China - Suzhou**  
Tel: 86-186-6233-1526

**China - Wuhan**  
Tel: 86-27-5980-5300

**China - Xian**  
Tel: 86-29-8833-7252

**China - Xiamen**  
Tel: 86-592-2388138

**China - Zhuhai**  
Tel: 86-756-3210040

### ASIA/PACIFIC

**India - Bangalore**  
Tel: 91-80-3090-4444

**India - New Delhi**  
Tel: 91-11-4160-8631

**India - Pune**  
Tel: 91-20-4121-0141

**Japan - Osaka**  
Tel: 81-6-6152-7160

**Japan - Tokyo**  
Tel: 81-3-6880-3770

**Korea - Daegu**  
Tel: 82-53-744-4301

**Korea - Seoul**  
Tel: 82-2-554-7200

**Malaysia - Kuala Lumpur**  
Tel: 60-3-7651-7906

**Malaysia - Penang**  
Tel: 60-4-227-8870

**Philippines - Manila**  
Tel: 63-2-634-9065

**Singapore**  
Tel: 65-6334-8870

**Taiwan - Hsin Chu**  
Tel: 886-3-577-8366

**Taiwan - Kaohsiung**  
Tel: 886-7-213-7830

**Taiwan - Taipei**  
Tel: 886-2-2508-8600

**Thailand - Bangkok**  
Tel: 66-2-694-1351

**Vietnam - Ho Chi Minh**  
Tel: 84-28-5448-2100

### EUROPE

**Austria - Wels**  
Tel: 43-7242-2244-39  
Fax: 43-7242-2244-393

**Denmark - Copenhagen**  
Tel: 45-4450-2828  
Fax: 45-4485-2829

**Finland - Espoo**  
Tel: 358-9-4520-820

**France - Paris**  
Tel: 33-1-69-53-63-20  
Fax: 33-1-69-30-90-79

**Germany - Garching**  
Tel: 49-8931-9700

**Germany - Haan**  
Tel: 49-2129-3766400

**Germany - Heilbronn**  
Tel: 49-7131-67-3636

**Germany - Karlsruhe**  
Tel: 49-721-625370

**Germany - Munich**  
Tel: 49-89-627-144-0  
Fax: 49-89-627-144-44

**Germany - Rosenheim**  
Tel: 49-8031-354-560

**Israel - Ra'anana**  
Tel: 972-9-744-7705

**Italy - Milan**  
Tel: 39-0331-742611  
Fax: 39-0331-466781

**Italy - Padova**  
Tel: 39-049-7625286

**Netherlands - Drunen**  
Tel: 31-416-690399  
Fax: 31-416-690340

**Norway - Trondheim**  
Tel: 47-7289-7561

**Poland - Warsaw**  
Tel: 48-22-3325737

**Romania - Bucharest**  
Tel: 40-21-407-87-50

**Spain - Madrid**  
Tel: 34-91-708-08-90  
Fax: 34-91-708-08-91

**Sweden - Gothenberg**  
Tel: 46-31-704-60-40

**Sweden - Stockholm**  
Tel: 46-8-5090-4654

**UK - Wokingham**  
Tel: 44-118-921-5800  
Fax: 44-118-921-5820

## X-ON Electronics

Largest Supplier of Electrical and Electronic Components

*Click to view similar products for [Clock Buffer](#) category:*

*Click to view products by [Microchip](#) manufacturer:*

Other Similar products are found below :

[MPC962309EJ-1H](#) [NB4N121KMNG](#) [IDT49FCT805ASO](#) [MK2308S-1HILF](#) [PL133-27GI-R](#) [NB3L02FCT2G](#) [NB3L03FCT2G](#)  
[ZL40200LDG1](#) [ZL40205LDG1](#) [9FG1200DF-1LF](#) [9FG1001BGLF](#) [PI49FCT20802QE](#) [NB7L1008MNG](#) [NB7L14MN1G](#) [PI49FCT20807QE](#)  
[PI6C4931502-04LIEX](#) [ZL80002QAB1](#) [PI6C4931504-04LIEX](#) [PI6C10806BLEX](#) [ZL40226LDG1](#) [8T73S208B-01NLGI](#) [SY75578LMG](#)  
[PI49FCT32805QEX](#) [PL133-27GC-R](#) [CDCV304PWG4](#) [MC10LVEP11DG](#) [MC10EP11DTG](#) [MC100LVEP11DG](#) [MC100E111FNG](#)  
[MC100EP11DTG](#) [NB7L14MMNG](#) [NB6L11MMNG](#) [NB6L14MMNR2G](#) [NB6L611MNG](#) [NB3N111KMNR4G](#) [ADCLK944BCPZ-R7](#)  
[ZL40217LDG1](#) [NB7LQ572MNG](#) [HMC940LC4BTR](#) [ADCLK946BCPZ-REEL7](#) [ADCLK946BCPZ](#) [ADCLK905BCPZ-R2](#)  
[ADCLK905BCPZ-R7](#) [ADCLK907BCPZ-R2](#) [ADCLK907BCPZ-WP](#) [ADCLK914BCPZ-R2](#) [ADCLK914BCPZ-R7](#) [ADCLK925BCPZ-R2](#)  
[ADCLK925BCPZ-R7](#) [ADCLK925BCPZ-WP](#)