
Highly Integrated Small Form Factor USB Type-C™ Power Delivery 2.0 Port Controller

Highlights

- Small Form Factor 4 x 4 mm 44-WFBGA Package
- Integrated Analog Discrete Components Reduce Bill of Materials and Design Footprint
- USB Power Delivery 2.0 Compliant MAC
- USB Type-C™ (1) Connector Support with Connection Detection and Control
- I²C/SPI (2) Interface for CPU/SoC Communication
- USB Type-C™ Alternate Mode Support
- Dual Role Power (DRP) and Role Swap Support

Target Applications

- Notebook Computers
- All-in-One/Desktop PCs
- Smartphones
- Tablets
- Monitors
- Docking Stations
- HDTVs
- Printers

Key Benefits

- Integrated Analog Discrete Components
 - VCONN FETs with Rp/Rd Switching
 - Dead Battery Rd termination
 - Programmable Current Sense for Overcurrent Conditions
 - Voltage Sense for Overvoltage Conditions
- Integrated 5V/3A Port Power Controller (PPC)
 - Supports up to 5V/3A on VBUS
 - Supplies 500mA, 900mA, 1.5A, and 3.0A per USB Type-C™ Specification
- Integrated 3.3V Power Switch
 - Provides Dead Battery Support
 - Automatically Switch between VBUS and Main +3.3V

-
1. *USB Type-C™ and USB-C™ are trademarks of USB Implementers Forum.*
 2. *Available only in select UPD360 configurations.*

- USB Power Delivery MAC
 - Compliant with USB Power Delivery Specification Revision 2.0
 - Power Delivery Packet Framing
 - CRC Checking/Generation
 - 4B/5B Encoding/Decoding
 - BMC Encoding/Decoding
 - EOP/SOP Generation for PD Frames
 - SOP Detection and SOP Header Processing
 - Separate RX/TX FIFOs
 - Automatic GoodCRC Message Generation
 - Automatic Retry Generation
 - Error Handling
 - Low Standby Power Support via Sleep State
- USB Type-C Cable Detect Logic
 - Auto Cable Attach & Orientation Detection
 - Routes Baseband Communication to Respective CC Pin per Detected Orientation
 - VCONN Supply Control for Active Cable
 - Configurable Downstream Facing Port (DFP) and Upstream Facing Port (UFP) Modes
 - Charging Current Capability Detection
 - Detection of Debug Accessory Mode, Audio Adapter Accessory Mode
- +1.8V I²C (1 MHz) Interface Supports Communication/Configuration via Companion CPU/SoC
- Alternate Mode Support
 - DisplayPort™, Thunderbolt™, and other Major Protocols
- CFG_SEL0 Pin for Selection of Device Mode
- CFG_SEL1 Pin for Selection of I²C addresses (2)
- Power and I/Os
 - Integrated 1.8V Voltage Regulator
 - 16 Configurable General Purpose I/O Pins
- Software
 - C Libraries
- Package
 - 44-ball WFBGA (4 x 4 x 0.7 mm)
- Environmental
 - Commercial Temperature Range (0°C to +70°C)

TO OUR VALUED CUSTOMERS

It is our intention to provide our valued customers with the best documentation possible to ensure successful use of your Microchip products. To this end, we will continue to improve our publications to better suit your needs. Our publications will be refined and enhanced as new volumes and updates are introduced.

If you have any questions or comments regarding this publication, please contact the Marketing Communications Department via E-mail at docerrors@microchip.com. We welcome your feedback.

Most Current Documentation

To obtain the most up-to-date version of this documentation, please register at our Worldwide Web site at:

<http://www.microchip.com>

You can determine the version of a data sheet by examining its literature number found on the bottom outside corner of any page. The last character of the literature number is the version number, (e.g., DS30000000A is version A of document DS30000000).

Errata

An errata sheet, describing minor operational differences from the data sheet and recommended workarounds, may exist for current devices. As device/documentation issues become known to us, we will publish an errata sheet. The errata will specify the revision of silicon and revision of document to which it applies.

To determine if an errata sheet exists for a particular device, please check with one of the following:

- Microchip's Worldwide Web site; <http://www.microchip.com>
- Your local Microchip sales office (see last page)

When contacting a sales office, please specify which device, revision of silicon and data sheet (include -literature number) you are using.

Customer Notification System

Register on our web site at www.microchip.com to receive the most current information on all of our products.

Table of Contents

1.0 Preface	4
2.0 Introduction	7
3.0 Ball Descriptions and Configuration	9
4.0 Register Map	19
5.0 I2C Slave Controller (UPD360-A/UPD360-B Only)	20
6.0 SPI Slave Controller (UPD360-C Only)	26
7.0 Clocks, Resets, and Power Management	31
8.0 System Control	35
9.0 Cable Plug Orientation and Detection	68
10.0 Baseband CC Interface (BCI)	107
11.0 Power Delivery MAC	111
12.0 USB Port Power Controller (PPC)	171
13.0 Power Switch	182
14.0 DisplayPort Hot Plug Detect (HPD)	195
15.0 Watchdog Timer (WDT)	202
16.0 Operational Characteristics	206
17.0 Package Information	214
Appendix A: Data Sheet Revision History	217
The Microchip Web Site	218
Customer Change Notification Service	218
Customer Support	218
Product Identification System	219

UPD360

1.0 PREFACE

1.1 Glossary of Terms

TABLE 1-1: GLOSSARY OF TERMS

Term	Definition
ADC	Analog to Digital Converter
AFE	Analog Front End
BCI	Baseband CC Interface
Billboard	USB Billboard Device. A required USB device class for UFPs which support Alternate Modes in order to provide product information to the USB Host.
BIST	Built-In Self Test
BMC	Bi-phase Mark Coding
Byte	8-bits
CC	Generic reference to USB Type-C™ Cable / Connector CC1/CC2 pins
CSR	Control and Status Register
DB	Dead Battery
DFP	Downstream Facing Port (USB Type-C™ Specification definition)
DP	DisplayPort (a VESA standard interface)
DPM	Device Policy Manager (PD Specification definition)
DRP	Dual Role Power (USB Type-C™ Specification definition)
DWORD	32-bits
EC	Embedded Controller
EP	USB Endpoint
FIFO	First In First Out buffer
FW	Firmware
FS	Full-Speed
Host	External system (Includes processor, application software, etc.)
HPD	Hot-Plug Detect functionality as defined by DisplayPort and DisplayPort Alternate Mode specifications
HS	High-Speed
HW	Hardware (Refers to function implemented by the device)
IC	Integrated Circuit
IFC	InterFrame Gap
LDO	Linear Drop-Out regulator
MAC	Media Access Controller
Microchip	Microchip Technology Incorporated
N/A	Not Applicable
OCS	Over-Current Sense
PCS	Physical Coding Sublayer
PD / UPD	USB Power Delivery
PIO	General Purpose I/O
PMIC	Power Management Integrated Circuit
POR	Power-On Reset
PRBS	Pseudo Random Binary Sequence
QWORD	64-bits
SA	Source Address

TABLE 1-1: GLOSSARY OF TERMS (CONTINUED)

Term	Definition
SBU	SideBand Use
SCSR	System Control and Status Register
SPM	System Policy Manager (PD Specification definition)
SS	SuperSpeed
SVDM	Standard/Vendor Defined Message (PD Specification definition)
SVID	Standard/Vendor IDentity (PD Specification definition)
TCPC	USB Type-C™ Port Controller
UFP	Upstream Facing Port (USB Type-C™ Specification definition)
USB	Universal Serial Bus
USB Type-C™	USB Type-C™ Cable / Connector
VDO	Vendor-defined Object (PD Specification definition)
VSM	Vendor Specific Messaging
WORD	16-bits
ZLP	Zero Length USB Packet

1.2 Buffer Types

TABLE 1-2: BUFFER TYPES

Buffer Type	Description
IS	Schmitt-triggered input
I2C	I ² C interface
O8	Output with 8 mA sink and 8 mA source
OD8	Open-drain output with 8 mA sink
PU	70k (typical) internal pull-up. Unless otherwise noted in the pin description, internal pull-ups are always enabled. Note: Internal pull-up resistors prevent unconnected inputs from floating. Do not rely on internal resistors to drive signals external to the device. When connected to a load that must be pulled high, an external resistor must be added.
PD	70k (typical) internal pull-down. Unless otherwise noted in the pin description, internal pull-downs are always enabled. Note: Internal pull-down resistors prevent unconnected inputs from floating. Do not rely on internal resistors to drive signals external to the device. When connected to a load that must be pulled low, an external resistor must be added.
AIO	Analog bidirectional
P	Power pin

Note: Digital signals are not 5V tolerant unless specified.

Note: Refer to [Section 16.5, "DC Characteristics," on page 208](#) for the electrical characteristics of the various buffers.

UPD360

1.3 Register Nomenclature

TABLE 1-3: REGISTER NOMENCLATURE

Register Bit Type Notation	Register Bit Description
R	Read: A register or bit with this attribute can be read.
W	Write: A register or bit with this attribute can be written.
RO	Read only: Read only. Writes have no effect.
RS	Read to Set: This bit is set on read.
WO	Write only: If a register or bit is write-only, reads will return unspecified data.
W1S	Write One to Set: Writing a one sets the value. Writing a zero has no effect.
W1C	Write One to Clear: Writing a one clears the value. Writing a zero has no effect.
WC	Write Anything to Clear: Writing anything clears the value.
LL	Latch Low: Clear on read of register.
LH	Latch High: Clear on read of register.
SC	Self-Clearing: Contents are self-cleared after the being set. Writes of zero have no effect. Contents can be read.
RO/LH	Read Only, Latch High: Bits with this attribute will stay high until the bit is read. After it is read, the bit will remain high, but will change to low if the condition that caused the bit to go high is removed. If the bit has not been read, the bit will remain high regardless of a change to the high condition.
NASR	Not Affected by Software Reset. The state of NASR bits do not change on assertion of a software reset.
RESERVED	Reserved Field: Reserved fields must be written with zeros, unless otherwise indicated, to ensure future compatibility. The value of reserved bits is not guaranteed on a read.

1.4 References

- NXP I²C-Bus Specification (UM10204, April 4, 2014): www.nxp.com/documents/user_manual/UM10204.pdf
- USB Power Delivery and USB Type-C™ Specifications: http://www.usb.org/developers/docs/usb_31_102015.zip
- VESA DisplayPort Alternate Mode Specification 1.0: <http://www.vesa.org>

2.0 INTRODUCTION

2.1 General Description

The UPD360 is a highly integrated, small form factor USB Type-C Power Delivery (PD) Port Controller designed to adhere to the *USB Type-C™ Cable and Connector Specification* and *USB Power Delivery 2.0 Specification*. The UPD360 provides cable plug orientation and detection for a USB Type-C receptacle and implements baseband communication with a partner USB Type-C device via the integrated USB Power Delivery 2.0 MAC. The device can function in Standalone UFP/DFP modes, or utilize the integrated I²C/SPI interface to connect to a companion CPU/SoC (dependent on device version, see [Section 2.2, "UPD360 Family Differences Summary"](#)).

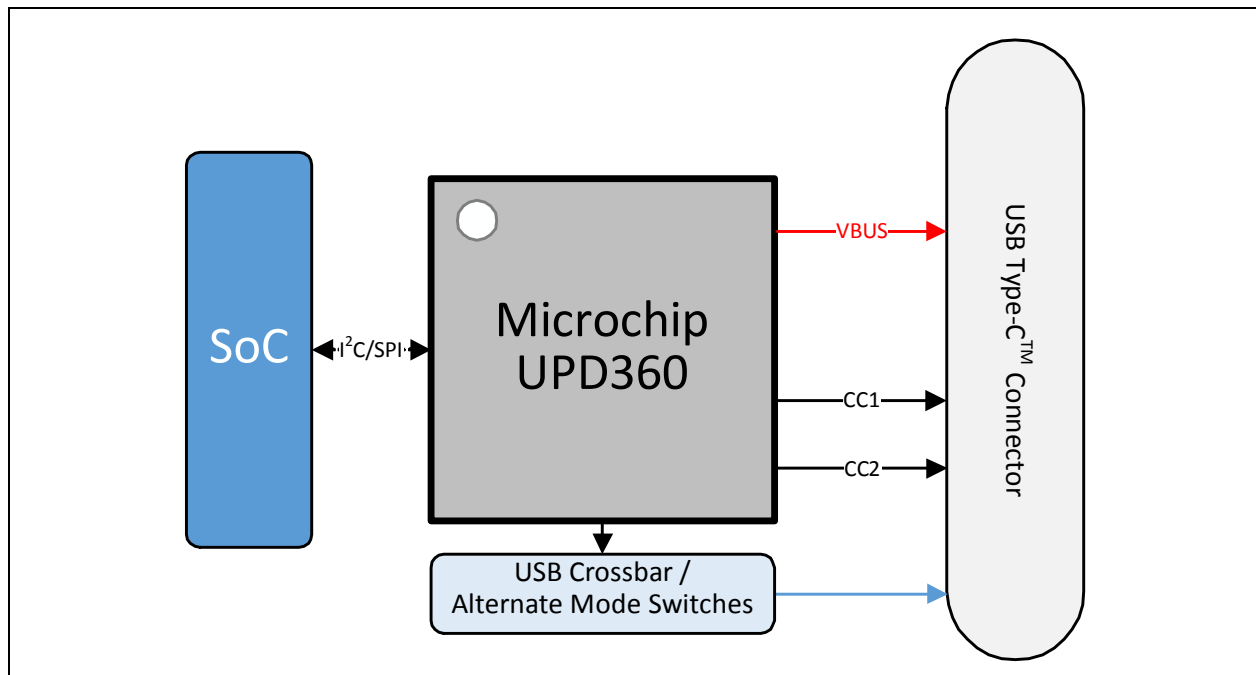
Additionally, the UPD360 integrates many of the analog discrete components required for USB Type-C PD applications, including two VCONN FETs with Rp/Rd switching, a port power controller that supports up to 5V/3A on VBUS, and current and voltage sense circuitry for over-voltage/current detection. By integrating many of the analog discrete components required for USB Type-C PD applications, the UPD360 provides a low cost, low power, small footprint (4 x 4 mm) solution for consumer (notebooks, desktop PCs, smartphones, tablets, monitors, docking stations) applications.

To enable the UPD360 to efficiently support dead battery use cases, an integrated power switch is provided to select between two external 3.3V supplies (VBUS and main). This effectively allows connection detection and system wakeup without external processor intervention (external processor in sleep mode).

The UPD360 is also capable of negotiating alternate modes over USB Type-C connectors using the Power Delivery 2.0 protocol. Both DisplayPort and Thunderbolt operation over USB Type-C connectors are supported in addition to other major protocols.

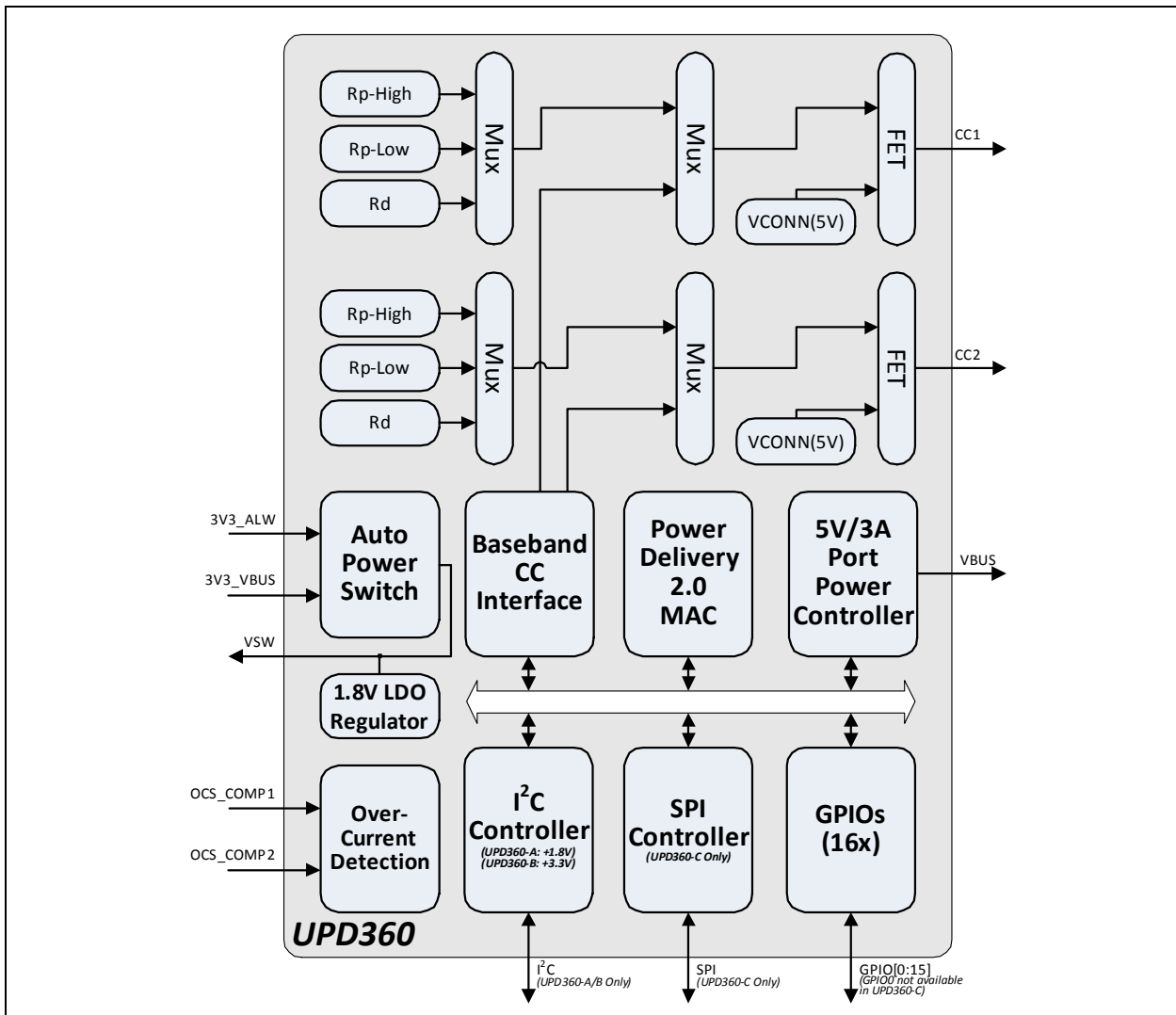
A system diagram utilizing the UPD360 is shown in [Figure 2-1](#). An internal block diagram of the UPD360 is shown in [Figure 2-2](#).

FIGURE 2-1: SYSTEM BLOCK DIAGRAM



UPD360

FIGURE 2-2: INTERNAL BLOCK DIAGRAM



2.2 UPD360 Family Differences Summary

The UPD360 is available in three versions:

- UPD360-A
- UPD360-B
- UPD360-C

A summary of the differences between these versions is provided in [Table 2-1](#). Device specific features that do not pertain to the entire UPD360 family are called out independently throughout this document. For ordering information, refer to the [Product Identification System on page 219](#).

TABLE 2-1: UPD360 FAMILY DIFFERENCES

Device	+1.8V I ² C Interface	+3.3V I ² C Interface	SPI Interface	Standalone UFP/DFP Mode
UPD360-A	X			X
UPD360-B		X		X
UPD360-C			X	

3.0 BALL DESCRIPTIONS AND CONFIGURATION

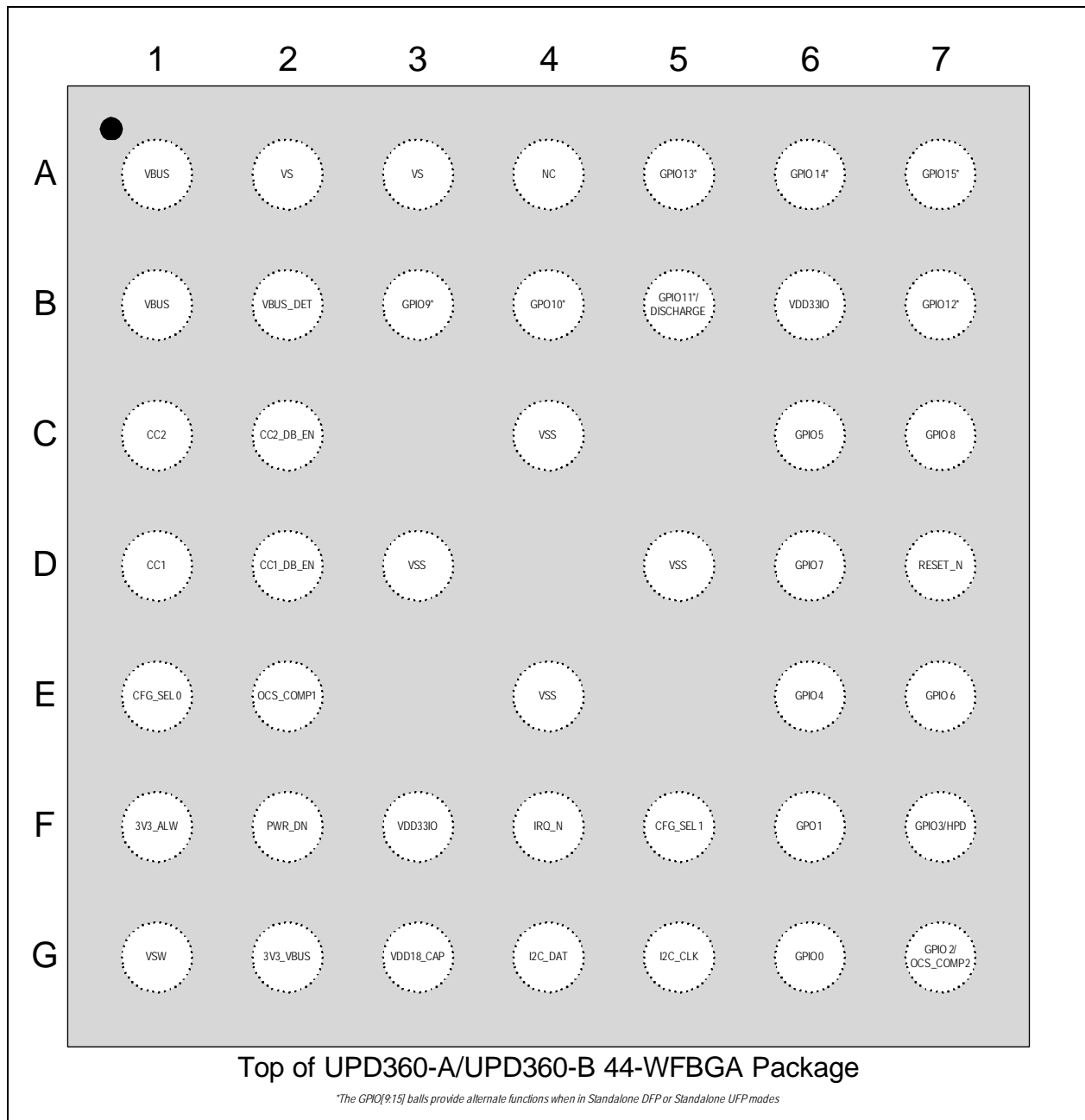
3.1 Ball Assignments

The ball assignments for the UPD360-A/UPD360-B are detailed in [Section 3.1.1, "UPD360-A/UPD360-B Ball Assignments," on page 9](#). The ball assignments for the UPD360-C are detailed in [Section 3.1.1, "UPD360-A/UPD360-B Ball Assignments," on page 9](#). For information on the differences between the UPD360 family of devices, refer to [Section 2.2, "UPD360 Family Differences Summary," on page 8](#).

3.1.1 UPD360-A/UPD360-B BALL ASSIGNMENTS

The device ball diagram for the UPD360-A/UPD360-B can be seen in [Figure 3-1](#). [Table 3-1](#) provides a UPD360-A/UPD360-B ball assignment table. Ball descriptions are provided in [Section 3.2, "Ball Descriptions"](#).

FIGURE 3-1: UPD360-A/UPD360-B BALL ASSIGNMENTS (TOP VIEW)



UPD360

TABLE 3-1: UPD360-A/UPD360-B BALL ASSIGNMENTS

Ball	Pin Name	Ball	Pin Name
A1	VBUS	D5	VSS
A2	VS	D6	GPIO7
A3	VS	D7	RESET_N
A4	NC	E1	CFG_SEL0
A5	GPIO13 (Note 3-1)	E2	OCS_COMP1
A6	GPIO14 (Note 3-1)	E4	VSS
A7	GPIO15 (Note 3-1)	E6	GPIO4
B1	VBUS	E7	GPIO6
B2	VBUS_DET	F1	3V3_ALW
B3	GPIO9 (Note 3-1)	F2	PWR_DN
B4	GPO10 (Note 3-1) (Note 3-2)	F3	VDD33IO
B5	GPIO11/DISCHARGE (Note 3-1)	F4	IRQ_N
B6	VDD33IO	F5	CFG_SEL1
B7	GPIO12 (Note 3-1)	F6	GPO1 (Note 3-2)
C1	CC2	F7	GPIO3/HPD
C2	CC2_DB_EN	G1	VSW
C4	VSS	G2	3V3_VBUS
C6	GPIO5	G3	VDD18_CAP
C7	GPIO8	G4	I2C_DAT
D1	CC1	G5	I2C_CLK
D2	CC1_DB_EN	G6	GPIO0
D3	VSS	G7	GPIO2/OCS_COMP2

Note 3-1 This ball provides alternate functions when in Standalone DFP and Standalone UFP Modes. Refer to [Section 3.1.1.1, "UPD360-A/UPD360-B GPIO\[9:15\] Functions in Standalone DFP/UFP Modes"](#) for additional information.

Note 3-2 **This general purpose signal can only function as an output and must not be pulled-up externally during RESET_N assertion.**

3.1.1.1 UPD360-A/UPD360-B GPIO[9:15] Functions in Standalone DFP/UFP Modes

When the UPD360-A/UPD360-B is configured in Standalone DFP or Standalone UFP modes, the following GPIO balls are assigned specific alternate functions, as detailed in [Table 3-2](#).

TABLE 3-2: ALTERNATE GPIO[9:15] FUNCTIONS IN STANDALONE DFP/UFP MODES

Ball	I ² C Companion Mode	Standalone DFP Mode	Standalone UFP Mode
B3	GPIO9	ORIENTATION	ORIENTATION
B4	GPO10	ATTACH	ATTACH
B5	GPIO11	OCS_N	GPIO11
B7	GPIO12	PWR_EN	SINK_5V_LEGACY_N
A5	GPIO13	PWR_CAP0	SINK_5V_1A5_N
A6	GPIO14	PWR_CAP1	SINK_5V_3A0_N
A7	GPIO15	ERR_RECOVER	GPIO15

UPD360

3.1.2 UPD360-C BALL ASSIGNMENTS

The device ball diagram for the UPD360-C can be seen in [Figure 3-2](#). [Table 3-3](#) provides a UPD360-C ball assignment table. Ball descriptions are provided in [Section 3.2, "Ball Descriptions"](#).

FIGURE 3-2: UPD360-C BALL ASSIGNMENTS (TOP VIEW)

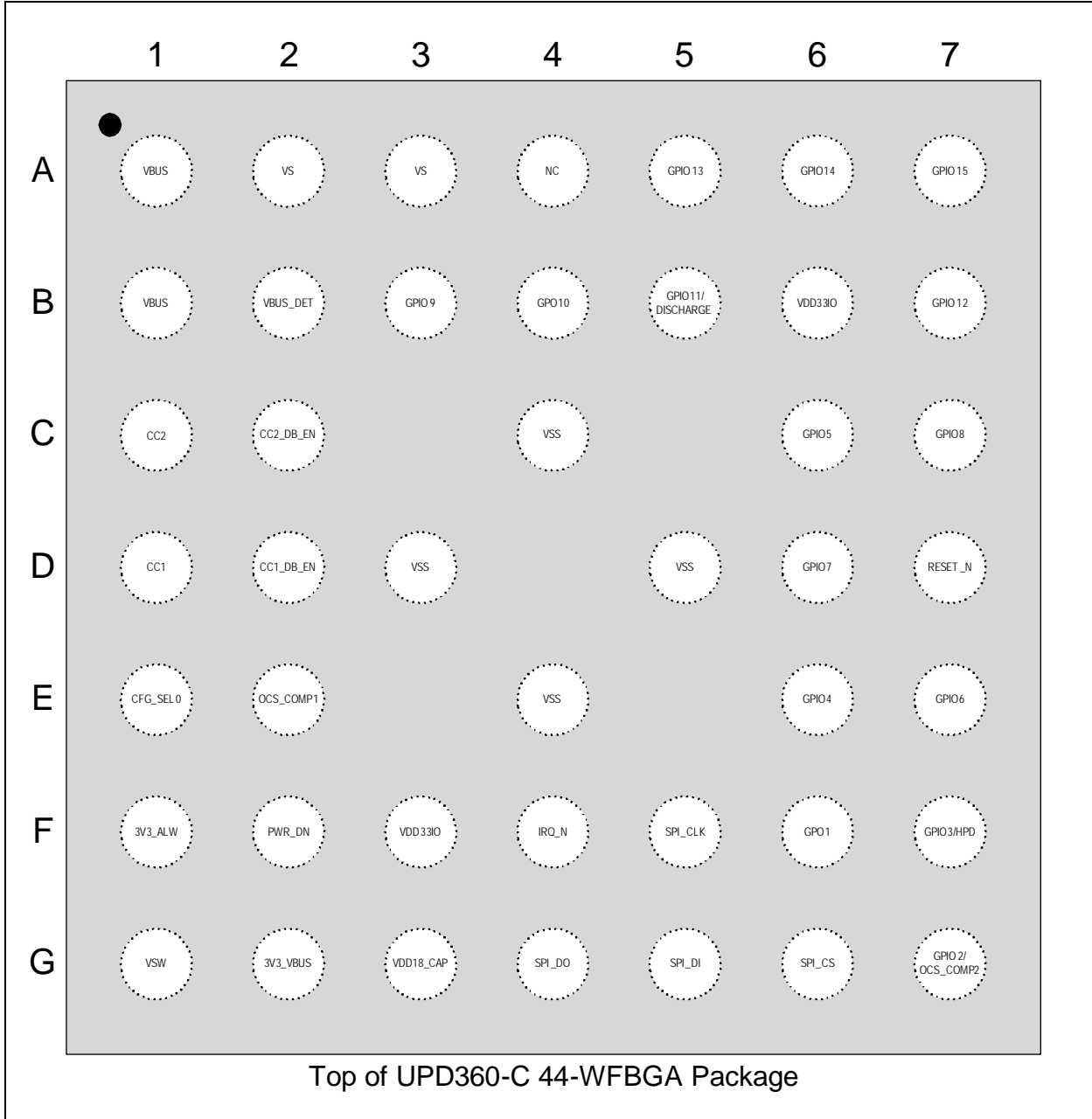


TABLE 3-3: UPD360-C BALL ASSIGNMENTS

Ball	Pin Name	Ball	Pin Name
A1	VBUS	D5	VSS
A2	VS	D6	GPIO7
A3	VS	D7	RESET_N
A4	NC	E1	CFG_SEL0
A5	GPIO13	E2	OCS_COMP1
A6	GPIO14	E4	VSS
A7	GPIO15	E6	GPIO4
B1	VBUS	E7	GPIO6
B2	VBUS_DET	F1	3V3_ALW
B3	GPIO9	F2	PWR_DN
B4	GPO10 (Note 3-3)	F3	VDD33IO
B5	GPIO11/DISCHARGE	F4	IRQ_N
B6	VDD33IO	F5	SPI_CLK
B7	GPIO12	F6	GPO1 (Note 3-3)
C1	CC2	F7	GPIO3/HPD
C2	CC2_DB_EN	G1	VSW
C4	VSS	G2	3V3_VBUS
C6	GPIO5	G3	VDD18_CAP
C7	GPIO8	G4	SPI_DO
D1	CC1	G5	SPI_DI
D2	CC1_DB_EN	G6	SPI_CS
D3	VSS	G7	GPIO2/OCS_COMP2

Note 3-3 This general purpose signal can only function as an output and must not be pulled-up externally during RESET_N assertion.

UPD360

3.2 Ball Descriptions

This sections details the functions of the various device signals.

TABLE 3-4: BALL DESCRIPTIONS

NAME	SYMBOL	BUFFER TYPE	DESCRIPTION
USB Type-C™			
Configuration Channel 1	CC1	AIO	Configuration Channel (CC) used in the discovery, configuration and management of connections across a USB Type-C cable. Refer to Section 9.1, "CC Comparator," on page 68 for additional information.
Configuration Channel 2	CC2	AIO	Configuration Channel (CC) used in the discovery, configuration and management of connections across a USB Type-C cable. Refer to Section 9.1, "CC Comparator," on page 68 for additional information.
CC1 Dead Battery Enable	CC1_DB_EN	AIO	Determines whether CC1 broadcasts Rd pull-down or Hi-Z. Refer to Section 9.6, "Dead Battery," on page 77 for additional information. Note: Tie to CC1 if dead battery is supported. Otherwise, tie to ground.
CC2 Dead Battery Enable	CC2_DB_EN	AIO	Determines whether CC2 broadcasts Rd pull-down or Hi-Z. Refer to Section 9.6, "Dead Battery," on page 77 for additional information. Note: Tie to CC2 if dead battery is supported. Otherwise, tie to ground.
I²C Interface (UPD360-A/UPD360-B Only)			
I ² C Clock	I2C_CLK	I2C	I ² C clock signal (+1.8V for UPD360-A, +3.3V for UPD360-B)
I ² C Data	I2C_DAT	I2C	I ² C data signal (+1.8V for UPD360-A, +3.3V for UPD360-B)
SPI Interface Pins (UPD360-C Only)			
SPI Clock	SPI_CLK	IS	SPI clock. The maximum supported SPI clock frequency is 25 MHz.
SPI Data Out	SPI_DO	O8	SPI output data.
SPI Data In	SPI_DI	IS	SPI input data.
SPI Chip Enable	SPI_CS	IS	Active low SPI chip enable input.
Power Delivery Control			
Hot Plug Detect	HPD	IS/O8	DisplayPort Hot Plug Detection. Refer to Section 14.0, "DisplayPort Hot Plug Detect (HPD)," on page 195 for additional information.
Discharge	DISCHARGE	O8	VBUS Discharge. Enables external VBUS discharge circuit when commanded by USB PD software.

TABLE 3-4: BALL DESCRIPTIONS (CONTINUED)

NAME	SYMBOL	BUFFER TYPE	DESCRIPTION
Type-C Attach	ATTACH	O8	<p>In the Standalone UFP and Standalone DFP modes (<i>UPD360-A/UPD360-B only</i>), this signal indicates that the USB Type-C receptacles at the near and far end of the cable both have a plug-in. This pin is autonomously driven by the device in DFP standalone mode.</p> <p>0b: Nothing attached 1b: USB Type-C port has an end-end attached</p> <p>Refer to Section 9.10, "Standalone DFP (UPD360-A/UPD360-B Only)" and Section 9.11, "Standalone UFP (UPD360-A/UPD360-B Only)" for additional information.</p> <p>Note: Float this signal when unused.</p> <p>Note: This signal is not available in the UPD360-C.</p>
Type-C Orientation	ORIENTATION	O8	<p>In the Standalone UFP and Standalone DFP modes (<i>UPD360-A/UPD360-B only</i>), this signal is used to indicate which CC pin is terminated by the attached DFP/UFP and is autonomously driven by the device in DFP standalone mode.</p> <p>DFP: 0b: CC1 pin is terminated by Rd. 1b: CC2 pin is terminated by Rd.</p> <p>UFP: 0b: CC1 pin is pulled to a higher voltage than CC2. 1b: CC2 pin is pulled to a higher voltage than CC1.</p> <p>Refer to Section 9.10, "Standalone DFP (UPD360-A/UPD360-B Only)" and Section 9.11, "Standalone UFP (UPD360-A/UPD360-B Only)" for additional information.</p> <p>Note: Float this signal when unused.</p> <p>Note: This signal is not available in the UPD360-C.</p>
Over-current sense	OCS_N	OD8	<p>In the Standalone DFP mode (<i>UPD360-A/UPD360-B only</i>), this active-low signal indicates over-current sense. This signal maps to the PPC_INT interrupt.</p> <p>Note: This signal is active-low. Float this signal when unused.</p> <p>Note: This signal is not available in the UPD360-C.</p>
VBUS Power Enable	PWR_EN	IS	<p>In the Standalone DFP mode (<i>UPD360-A/UPD360-B only</i>), this signal is used as a port power switch enable for USB hubs.</p> <p>Note: This signal should be tied to the Power Good signal from the VS supply.</p> <p>Note: Tie this signal to ground when unused.</p> <p>Note: This signal is not available in the UPD360-C.</p>

UPD360

TABLE 3-4: BALL DESCRIPTIONS (CONTINUED)

NAME	SYMBOL	BUFFER TYPE	DESCRIPTION
Power Capability 0	PWR_CAP0	IS	In the Standalone DFP mode, these signals define the charging current supported by the device.
Power Capability 1	PWR_CAP1	IS	00b: USB 2.0 Default Current 01b: USB 3.0 Default Current 10b: 1.5 A 11b: 3.0 A Note: It is not valid to change the state of PWR_CAP0 and PWR_CAP1 pins after reset is de-asserted. Note: These signals are not available in the UPD360-C.
Error Recovery	ERR_RECOVER	IS	In Standalone DFP mode (<i>UPD360-A/UPD360-B only</i>), this pin determines whether or not the USB Type-C logic shall attempt to auto-recover from an OCS or other error. Sources from either the Port Power Switch or VCONN FET. Note: This signal is not available in the UPD360-C.
Sink Legacy Current	SINK_5V_LEGACY_N	OD8	In the Standalone UFP mode (<i>UPD360-A/UPD360-B only</i>), this pin asserts autonomously when a source has been detected that provides legacy USB current. Note: Float this signal when unused. Note: This signal is not available in the UPD360-C.
Sink 1.5A Current	SINK_5V_1A5_N	OD8	In the Standalone UFP mode (<i>UPD360-A/UPD360-B only</i>), this pin asserts autonomously when a source has been detected that provides 1.5A USB current. Note: Float this signal when unused. Note: This signal is not available in the UPD360-C.
Sink 3A Current	SINK_5V_3A0_N	OD8	In the Standalone UFP mode (<i>UPD360-A/UPD360-B only</i>), this pin asserts autonomously when a source has been detected that provides 3.0A USB current. Note: Float this signal when unused. Note: This signal is not available in the UPD360-C.
Miscellaneous			
Interrupt	IRQ_N	OD8	Active low interrupt signal. Note: Float this signal when unused.
VBUS Detection	VBUS_DET	AIO	Scaled down version of VBUS. Tie this signal to VBUS via a resistor divider.
Configuration Select 0	CFG_SEL0	AIO	This multi-level configuration signal is sampled after a system reset to select the device's default mode of operation based on the connected 1% precision resistor value. Refer to Section 9.8.1, "Configuration Selection," on page 81 for additional information.

TABLE 3-4: BALL DESCRIPTIONS (CONTINUED)

NAME	SYMBOL	BUFFER TYPE	DESCRIPTION
Configuration Select 1	CFG_SEL1	AIO	<p>This multi-level configuration signal is sampled after a system reset to select the device's default I²C slave address based on the connected 1% precision resistor value (<i>UPD360-A/UPD360-B only</i>).</p> <p>Refer to Section 9.8.1, "Configuration Selection," on page 81 for additional information.</p> <p>Note: This signal is not available in the UPD360-C.</p>
General Purpose I/O 0-15	GPI00, GPO1, GPI02, GPI03, GPI04, GPI05, GPI06, GPI07, GPI08, GPI09, GPO10	IS/O8/ OD8 (PU)	<p>The general purpose I/O signals are fully programmable as either a push-pull output, an open-drain output, or a Schmitt-triggered input (except GPO1 and GPO10). A programmable pull-up may optionally be enabled.</p> <p>Note: The GPO1 and GPO10 general purpose signals can only function as outputs and must be kept in a low state coincident with deasserting RESET_N.</p> <p>Note: Tie these signals to ground when unused.</p> <p>Note: External pull-ups and pull-downs shall be placed on GPIO pins to ensure that when in the reset state the inputs to external devices are driven to a valid state.</p> <p>Note: GPI00 is not available in the UPD360-C.</p> <p>Note: In Standalone DFP/UFP modes (<i>UPD360-A/UPD360-B only</i>), GPIOs 9-15 have alternate dedicated functions, as defined in Section 3.1.1.1, "UPD360-A/UPD360-B GPIO[9:15] Functions in Standalone DFP/UFP Modes," on page 11.</p> <p>Refer to Section 8.2, "General Purpose I/O," on page 37 for additional information.</p>
System Reset	RESET_N	IS	<p>Active low system reset.</p> <p>Note: If this signal is unused, it must be pulled up to VDD33IO.</p> <p>Refer to Section 7.7, "Reset Operation," on page 34 for additional information.</p>
Power Down	PWR_DN	AI	<p>When asserted, this signal places the device into the SLEEP state.</p> <p>Note: Tie this signal to ground when unused.</p> <p>Refer to Section 7.2.1, "SLEEP," on page 31 for additional information.</p>
Over-Current Sense Comparator 1	OCS_COMP1	AI	<p>This pin is used by the integrated OCS comparator to detect for error conditions.</p> <p>Note: Tie this signal to ground when unused.</p> <p>Refer to Section 8.3, "External Over-current Detection," on page 39 for additional information.</p>

UPD360

TABLE 3-4: BALL DESCRIPTIONS (CONTINUED)

NAME	SYMBOL	BUFFER TYPE	DESCRIPTION
Over-Current Sense Comparator 2	OCS_COMP2	AI	This pin is used by the integrated OCS comparator to detect for error conditions. Note: Tie this signal to ground when unused. Refer to Section 8.3, "External Over-current Detection," on page 39 for additional information.
No Connect	NC	-	For proper operation, this pin must be left unconnected.
Power/Ground			
+3.3V Voltage Switch Supply	VSW	P	+3.3V power supply output from the integrated power switch. Note: This pin also provides capacitance for integrated power switch and must be connected to a 1 uF (<100 Mohm ESR) capacitor to ground.
+3.3V VBUS Supply	3V3_VBUS	P	+3.3V power supply input derived from VBUS to the integrated power switch. Note: This pin must be connect to a 2.2 uF capacitor to ground.
+3.3V Always Supply	3V3_ALW	P	+3.3V main power supply input to the integrated power switch. Note: This pin must be connect to a 2.2 uF capacitor to ground.
+3.3V I/O Power Supply Input	VDD33IO	P	+3.3V I/O power supply input.
+1.8V Digital Core Power Supply Capacitor	VDD18_CAP	P	+1.8V digital core power supply capacitor. This signal must be connected to a 1uF capacitor to ground for proper operation.
VBUS Port Power Switch Output	VBUS	P	Port power switch output. Note: Both VBUS signals must be tied together.
+5V Port Power Switch Input	VS	P	+5V input to port power switch. Note: Both VS signals must be tied together. Note: A 1uF capacitor to ground is required on this signal for a single port configuration. If more than one port is used, an additional 1uF of capacitance must be added for each additional port.
Ground	VSS	P	Ground pins.

4.0 REGISTER MAP

This chapter provides the device register map, summarizing the various directly addressable System Control and Status Registers (CSRs). All CSRs are directly accessible via the device's internal [I2C Slave Controller \(UPD360-A/UPD360-B Only\)](#) or [SPI Slave Controller \(UPD360-C Only\)](#). Detailed descriptions of the System CSRs are provided in the chapters corresponding to their function. [Table 4-1](#) provides a summary of all directly addressable CSRs and their corresponding addresses.

Note: Register bit type definitions are provided in [Section 1.3, "Register Nomenclature,"](#) on page 6.

TABLE 4-1: DEVICE REGISTER MAP

Address	Registers
3400h-FFFFh	RESERVED
3000h-33FFh	Watchdog Timer Registers
2C00h-2FFFh	RESERVED
2800h-2BFFh	Baseband CC Interface Registers
2000h-27FFh	RESERVED
1C00h-1FFFh	Power Switch Registers
1800h-1BFFh	Power Delivery MAC Registers
1400h-17FFh	RESERVED
1000h-13FFh	Clocks and Power Management Registers
0C00h-0FFFh	DisplayPort HPD Registers
0800h-0BFFh	Cable Orientation and Detection Registers
0400h-07FFh	Port Power Controller Registers
0000h-03FFh	System Control Registers

Note: RESERVED address space must not be written under any circumstances. Failure to heed this warning may result in untoward operation and unexpected results.

UPD360

5.0 I²C SLAVE CONTROLLER (UPD360-A/UPD360-B ONLY)

This chapter details the integrated I²C slave controller (I2C_DAT and I2C_CLK) available in the UPD360-A (+1.8V signaling) and UPD360-B (+3.3V signaling). The I²C slave controller can be used for Host CPU serial management and data transfer, and allows host access to all device Configuration and Status Registers (Section 4.0, "Register Map," on page 19).

5.1 I²C Overview

I²C is a bi-directional 2-wire data protocol. A device that is currently sending data is defined as the "transmitter" and a device that is currently receiving data is defined as the "receiver". The bus is controlled by a master which generates the SCL clock, controls bus access, and generates the start and stop conditions. The master and slave will operate as transmitter or receiver, bit-by-bit, as determined by the master. Since the device I²C controller is a slave only, the terms "host" and "master" are synonymous, both referring to the external side of the interface.

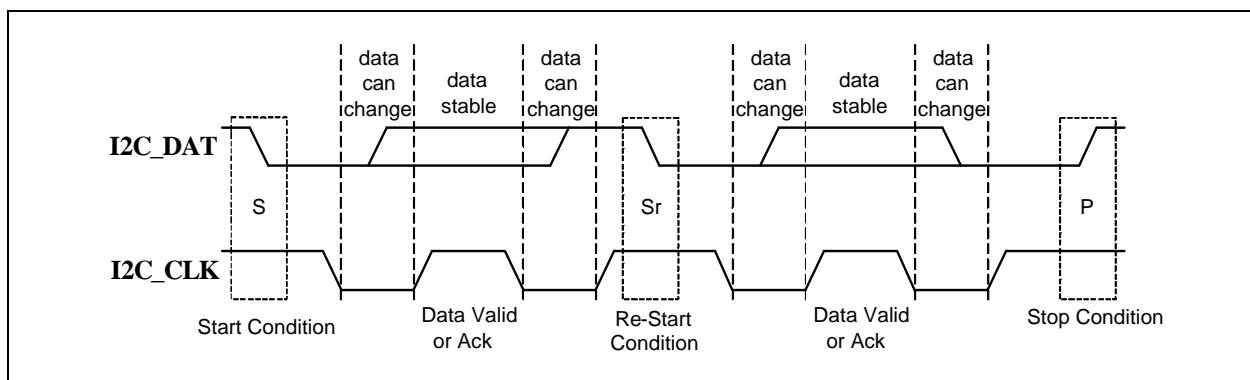
Both the clock (SCL) and data (SDA) signals have analog input filters that reject pulses that are less than 50 ns. The data pin is driven low when either interface sends a low, emulating the wired-AND function of the I²C bus. Since the slave interface never drives the clock pin, the wired-AND is not necessary.

The following bus states exist:

- **Idle:** Both I2C_DAT and I2C_CLK are high when the bus is idle.
- **Start & Stop Conditions:** A start condition (S) is defined as a high to low transition on the SDA line while SCL is high. A stop condition (P) is defined as a low to high transition on the SDA line while SCL is high. The bus is considered to be busy following a start condition and is considered free 4.7 μs / 1.3 μs / 0.5μs (for 100 kHz / 400 kHz / 1MHz operation, respectively) following a stop condition. The bus stays busy following a repeated start condition (Sr) in the absence of a stop condition. Stop/start sequences and repeated starts are otherwise functionally equivalent.
- **Data Valid:** Data is valid, following the start condition, when SDA is stable while SCL is high. Data can only be changed while the clock is low. There is one valid bit per clock pulse. Every byte must be 8 bits long and is transmitted MSB first.
- **Acknowledge:** Each byte of data is followed by an acknowledge bit. The master generates a ninth clock pulse for this bit, and the transmitter releases SDA (high). To provide a positive "acknowledge" (ACK), the receiver drives SDA low so that it remains valid during the high period of the clock, taking into account the setup and hold times. To provide a negative "no-acknowledge" (NACK or ACK), the receiver will allow the line to remain high during this bit time. The receiver may be the master or the slave depending on the direction of the data. Typically the receiver acknowledges each byte. If the master is the receiver, it does not generate an acknowledge on the last byte of a transfer. This informs the slave to not drive the next byte of data, freeing SDA so that the master may generate a stop or repeated start condition.

Figure 5-1 displays the various bus states of a typical I²C cycle.

FIGURE 5-1: I²C CYCLES



5.2 I²C Slave Operation

The I²C slave serial interface consists of a data wire (**I2C_DAT**) and a serial clock (**I2C_CLK**). The serial clock is driven by the master, while the data wire is bi-directional. Both signals are open-drain and require external pull-up resistors.

The I²C slave controller implements the low level I²C slave serial interface (start and stop condition detection, data bit transmission/reception and acknowledge generation/reception), handles the slave command protocol and performs system register reads and writes. It tolerates and also provides clock stretching, in particular for supporting a transparent Wake on Host Access (see [Section 7.3, "Asynchronous I2C Wakeup \(UPD360-A/UPD360-B Only\),"](#) on page 32).

The I²C slave controller conforms to the NXP *I²C-Bus Specification* (UM10204, April 4, 2014), and supports traffic as defined therein for the following modes:

- Standard-mode (Sm, 100 kbit/s)
- Fast-mode (Fm, 400 kbit/s)
- Fast-mode Plus (Fm+, 1 Mbit/s)

Refer to [Section 16.6.2, "I2C Slave Interface \(UPD360-A/UPD360-B only\),"](#) on page 210 for timing information.

5.2.1 I²C SLAVE COMMAND FORMAT

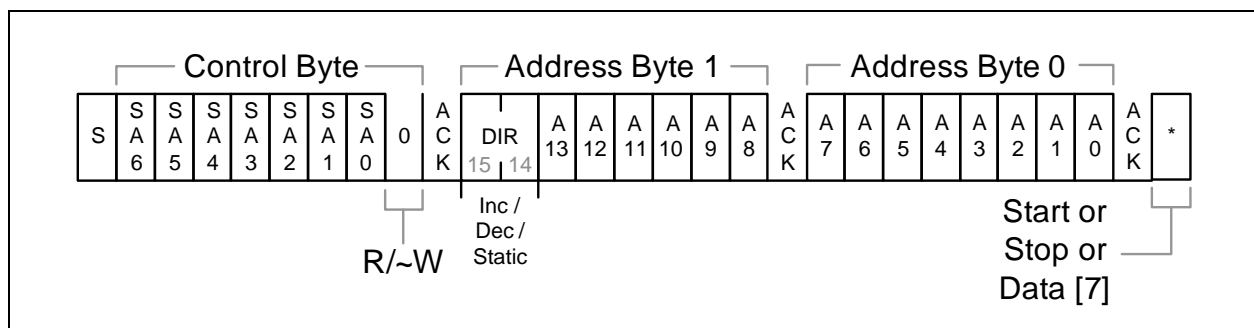
The I²C slave serial interface supports single register and multiple register Read and Write commands. A Read or Write command is started by the master first sending a Start condition, followed by a Control byte. The Control byte consists of a 7-bit slave address and a 1-bit Read/Write indication (R/~W). The default slave address used by the device is selected via the **CFG_SEL1** configuration strap. Assuming the slave address in the Control byte matches this address, the Control byte is acknowledged by the device. Otherwise, the entire sequence is ignored until the next Start condition. The I²C slave controller also supports the General Call Address. The I²C command formats can be seen in [Figure 5-2](#), [Figure 5-4](#), and [Figure 5-5](#).

If the read/write indication (R/~W) in the Control byte is a 0 (Write), the next two bytes sent by the master are a register address, and these two bytes are mandatory. The upper (first) two bits of the address field are a Direction control (DIR), which indicates whether multi-byte accesses will increment, decrement, or fix (as static) the issued address ([Section 5.2.2](#)). After the address bytes are acknowledged by the device, the master may send data bytes, which will be written to successive registers starting at this address. It may instead send another Start condition (to start the reading of data) or a Stop condition (only setting the address). The latter two will terminate the current Write before writing any data, but will have the effect of setting the internal register address which will be used for subsequent Reads.

If the read/write indication (R/~W) in the Control byte is a 1 (Read), the device will start sending data following the Control byte acknowledge bit. Read commands cannot designate an address by themselves, but may optionally be prefixed with a Write command to set it (see [Figure 5-4](#), prefixes in gray). If however the Read immediately follows a Multiple Register Write or Read, the address may have been incremented or decremented internally according to its DIR field, so this Read will start its access at the next successive byte address. Also, regardless of the previous access, a multiple-byte Read will continue the Increment/Decrement internally, as determined by the previously-issued DIR field ([Section 5.2.2](#)).

The length of the register address field is always two full bytes. Some high-order bits are don't-care. Don't-care register address bits should be sent as '0' always, for upward compatibility.

FIGURE 5-2: I²C SLAVE ADDRESSING



UPD360

Note: Within bytes (address and data), the bits are transferred most-significant bit first. Addresses are transferred Most-Significant Byte first. All registers are accessed in units of bytes, and register data is transferred in increasing byte address order. Refer to the device register layout to determine the effect of this on the significance order of any multi-byte value.

5.2.2 MULTIPLE-BYTE REGISTER ADDRESS SEQUENCING

The DIR subfield in Address field bits [15:14] determines how multiple-byte sequences will be interpreted. This field is held internally whenever issued with an address, but is not applied in I²C except in multiple-byte transfers, Read or Write. The DIR field definitions are as follows:

- **DIR = 00b:** Selects auto-incrementing of the internally-held register address for subsequent byte accesses in a multiple-byte packet.
- **DIR = 10b:** Selects auto-decrementing of the internally-held register address for subsequent byte accesses in a multiple-byte packet.
- **DIR = 11b:** Select a fixed address. No modification of the internal register address will occur, meaning that all subsequent accesses, single- or multiple-byte, are made to the same register.
- **DIR = 01b:** Reserved for future use.

Note that the DIR field is altered only by issuing an address. It remains, affecting any subsequent multiple-byte Read packets, until altered.

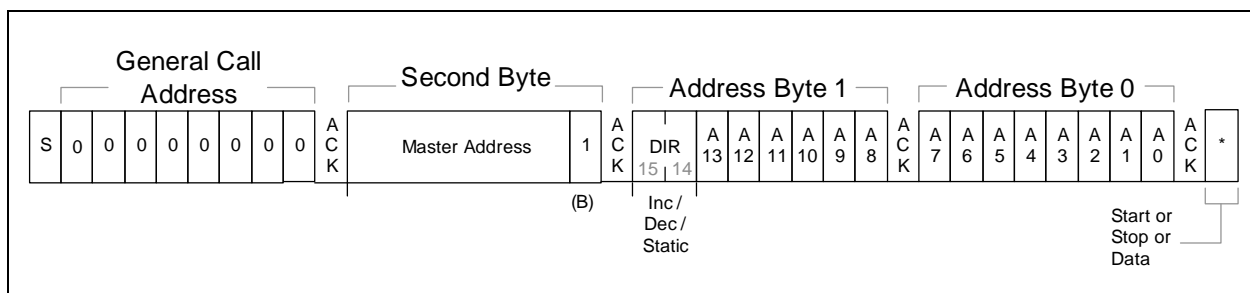
5.2.3 GENERAL CALL ADDRESS

The device supports the I²C General Call Address. The intent of this feature is to enable global I²C writes to topologies that have multiple UPD360 slaves. This minimizes the I²C transactions for device reset, via the [Hardware Control Register \(HW_CTL\)](#), as well as for various common configuration registers. This mode of operation is intended for topologies that consist solely of UPD360 slaves. This mode of operation may not be compatible with non-UPD360 slaves coexisting on the I²C bus.

Only the case where the least significant bit, “B”, of the General Call address is set to one is supported. The device will ignore the case when the least significant bit, “B”, of the General Call address is set to zero. For the latter case, the device will ACK the first byte, General call address. The device will ignore and silently discard all subsequent bytes and not acknowledge them. The second byte of the General Call address is also ignored and not acknowledged by the device.

Figure 5-3 illustrates the supported General Call Address format.

FIGURE 5-3: I²C GENERAL CALL ADDRESS



5.2.4 DEVICE INITIALIZATION

Until the device has initialized itself to the point where the various configuration inputs are valid, the I²C slave interface will not respond to or be affected by any external pin activity. The device should not be accessed by the master in this state. If, however, it is necessary to do so, this state will appear externally as a NACK (high) in the ACK bit time of the Control Byte, and of any further bytes transmitted by the master. The device will continue to act in this manner until the first Start condition is received after it is initialized internally. A Read transaction should not be attempted until an Address Write has been completed successfully (Figure 5-2), since the value(s) read may be unpredictable otherwise. Alternatively, an **IRQ_N** pin assertion can be used to indicate the device is ready.

5.2.5 ACCESS DURING AND FOLLOWING POWER MANAGEMENT

During low-power modes, a Start condition will trigger the device to wake, and the device will also stretch the I²C clock low until its internal clocks are running and locked. It will then release the I²C clock, and process the incoming packet.

It performs these steps before receiving the Slave Address bits, meaning that if there are multiple devices of this type asleep on the same I²C bus segment then they will all stretch the clock, and they will all wake, regardless of whether they were actually addressed. In the event that the slave address of the I²C transaction does not match the value specified in the [I2C Slave Address Register \(I2C_ADDR\) \(UPD360-A/UPD360-B Only\)](#), the device will power-down automatically.

5.2.6 I²C SLAVE READ SEQUENCE

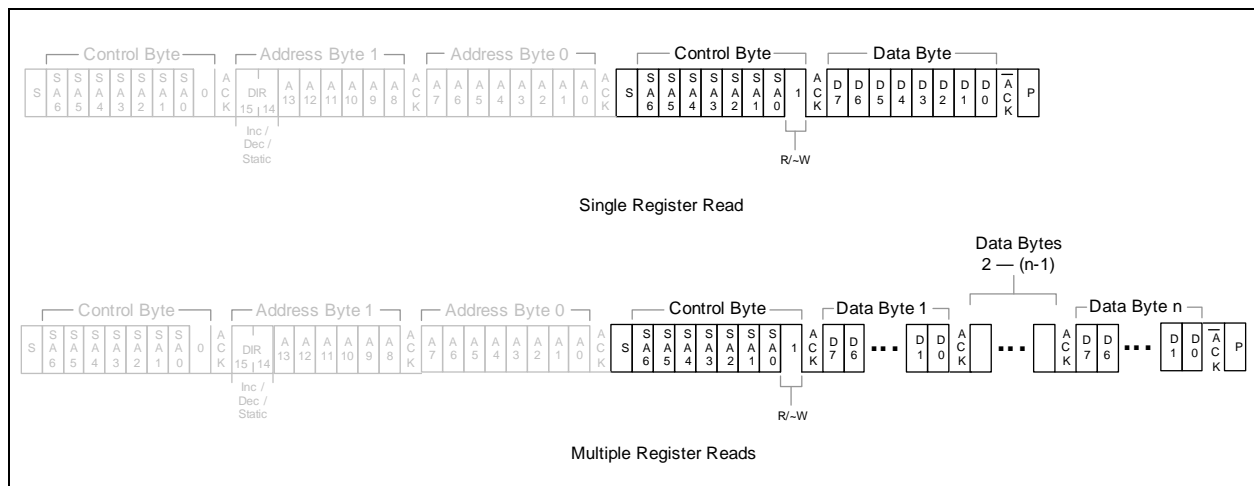
Following the device addressing, as detailed in [Section 5.2.1](#), a register is read from the device when the master sends a Start condition and Control byte with the R/~W bit set to '1'. Assuming the slave address in the Control byte matches the device address, the Control byte is acknowledged by the device. Otherwise, the entire sequence is ignored until the next Start condition. Following the acknowledge, the device sends 1 or more bytes of data, from successive register addresses according to the last-issued DIR address subfield ([Section 5.2.2](#)), until the master sends a no-acknowledge followed by the Stop condition. The no-acknowledge informs the device not to send any further bytes.

The internal register address is unchanged if only a single register byte is read, otherwise (a Multiple Register Read) the internal register address may be incremented or decremented ([Section 5.2.2](#)) after each byte including the final one. If the internal address reaches its maximum, it rolls over to 0.

If the master sends an unexpected start or stop condition, the device will stop sending immediately and will respond to the next sequence as needed.

[Figure 5-4](#) illustrates a typical single and multiple register read. An optional Write of an address is allowed to occur first, shown in gray. Note that this example shows an abbreviated case, where the Write does not have a Stop condition before the Read transfer's Starts. In this case, the Stop is still allowed, but not required.

FIGURE 5-4: I²C SLAVE READS



5.2.7 I²C SLAVE WRITE SEQUENCE

Following the device addressing, as detailed in [Section 5.2.1](#), a register value is written to the device when the master continues to send data bytes. Each byte is acknowledged by the device. Following any data byte, after the acknowledge, the master may either send another start condition or halt the sequence with a stop condition. The internal register address is unchanged following a single-byte write.

Multiple writes are performed when the master sends additional data bytes following the first. The internal address is automatically incremented and the next register is written. Once the internal address reaches its maximum value, it rolls over to 0. The multiple write is concluded when the master sends another start or stop condition. In performing a multiple write, the internal register address may be incremented or decremented ([Section 5.2.2](#)) for each write including the final.

UPD360

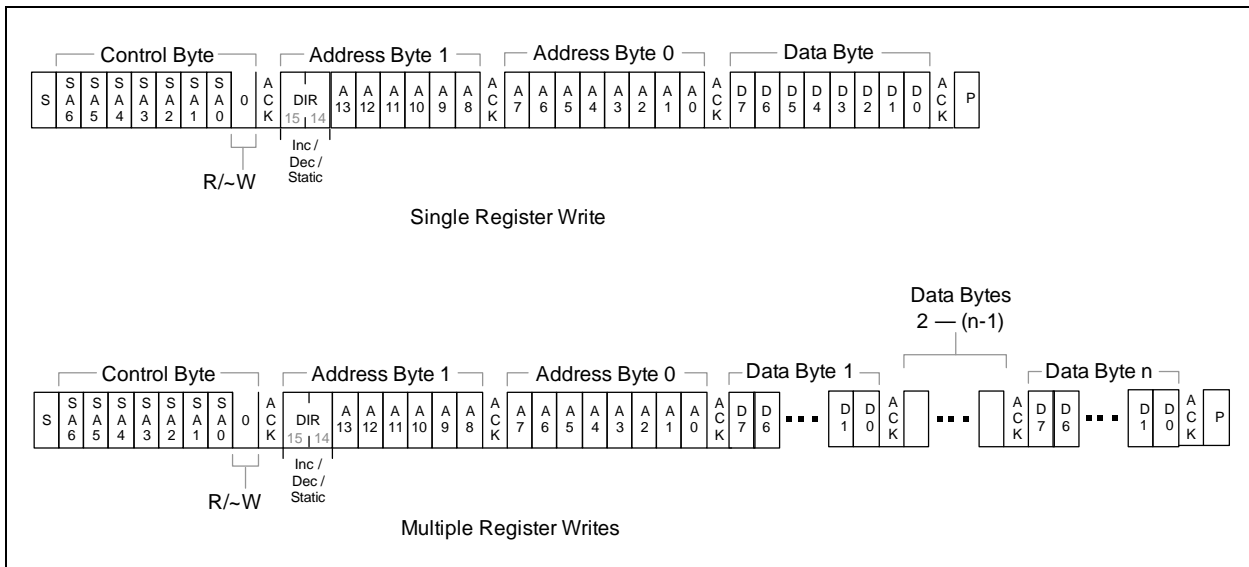
This is not relevant for subsequent writes after a new Start condition, since a new register address (with its DIR subfield) must then be included. However, this would affect the address used by any subsequent read without first resetting the register address.

For both single and multiple writes, if the master sends an unexpected start or stop condition, the device will stop immediately and will respond to the next sequence as needed.

The data write to a multi-byte register may be delayed until after all bits are input. In the event that the full register is not written (master sends a start or a stop condition occurs unexpectedly), the write may be considered invalid and the register not affected. Multiple registers may be written in a multiple write cycle, each one being written in sequence. I²C writes must not be performed to unused register addresses.

Figure 5-5 illustrates a typical single and multiple register write.

FIGURE 5-5: I²C SLAVE WRITES



5.2.8 SPECIAL CSR HANDLING

5.2.8.1 Live Bits

Register values are latched (registered) at the beginning of each register read to prevent the host from reading a changing value. The latching occurs individually per register in a multiple register read sequence.

5.2.8.2 Change-on-Read Registers and FIFOs

Any single-byte register that triggers a side-effect from a read operation (for example, containing "clear on read" bits, or advancing a FIFO structure) triggers only after the host has begun accessing the value. The value seen by the master will always be the original value and never the updated result of the side-effect.

For a multiple-byte register that is considered a single unit, the change may be delayed until all bytes of the register have been read. In the event that the host sends a no-acknowledge on one of the first bytes of a multi-byte register, or a start or stop condition occurs unexpectedly before the acknowledge of the full register, the read may be considered invalid and the side-effect not triggered.

Registers read in multiple-register read access will trigger multiple side-effects, occurring as they are read. The following registers have read side-effects:

- [Watchdog Count Register \(WDT_COUNT\)](#)

5.2.8.3 Live Bits that are also Change-on-Read

As described above, the current value from a register with live bits (as is the case of any register) is captured and latched as output data, and Change on Read bits are then changed in the original register. To prevent loss of a hardware event that occurs following the data capture but before the Change on Read, these hardware events are held pending until after the read action and after any change due to the read. This sequence also ensures an edge in the bit due to the hardware event.

UPD360

6.0 SPI SLAVE CONTROLLER (UPD360-C ONLY)

This chapter details the integrated SPI slave controller (**SPI_DI**, **SPI_DO**, **SPI_CLK**, and **SPI_CS**) available in the UPD360-C. The SPI slave controller can be used for Host CPU serial management and data transfer, and allows host access to all device Configuration and Status Registers ([Section 4.0, "Register Map," on page 19](#)).

6.1 SPI Overview

The SPI Slave module provides a low pin count synchronous slave interface that facilitates communication between the device and a host system. The SPI slave allows access to the System CSRs and internal FIFOs and memories. It supports single and multiple register read and write commands with incrementing, decrementing and static addressing. Only a Single bit lane is supported in SPI mode at up to 25 MHz.

The following is an overview of the functions provided by the SPI Slave:

- **Fast Read:** 4-wire (clock, select, data in and data out) reads. Serial command, address and data. This is called "Fast" Read for historical reasons, and is the only Read command supported. There is a single Dummy byte required for first access. Single and multiple register reads with incrementing, decrementing or static addressing.
- **Write:** 4-wire (clock, select, data in and data out) writes at up to 25 MHz. Serial command, address and data. Single and multiple register writes with incrementing, decrementing or static addressing.

6.2 SPI Slave Operation

A SPI frame starts on the falling edge of **SPI_CS**, and ends with **SPI_CS** rising. At the edges of **SPI_CS**, the **SPI_CLK** clock may be at its reset state of either low (Mode 0) or high (Mode 3), at the option of the Master.

Input data on the **SPI_DI** pin (often called "MOSI") is sampled on the rising edge of the **SPI_CLK** input clock. Output data is launched on the **SPI_DO** pin (often called "MISO") with the falling edge of the clock. While the **SPI_CS** chip select input is high, the **SPI_DI** and **SPI_CLK** inputs are ignored and the **SPI_DO** output is floating.

Each frame starts with an 8-bit instruction byte, transmitted by the Master, and it is accepted on **SPI_DI** starting at the first rising edge of the input clock after **SPI_CS** goes active.

For both Write and (Fast) Read instructions, two address bytes follow the instruction byte. The address field expresses a byte address. Fourteen address bits specify the address. The remaining two bits [15:14] constitute the DIR subfield of the address field, which specifies whether the address is Auto-Incremented (00b) or Auto-Decremented (10b) for consecutive data bytes in the frame. A special Static address coding (11b) keeps the address static throughout the frame of data, causing a single byte address to be accessed repeatedly if multiple bytes are transferred in the frame. DIR subfield encoding 01b is reserved and should be decoded in implementation to be the same as 00b, for the sake of minimizing the effect of a software error that increments beyond the address space.

For the Fast Read instruction, one dummy byte follows the address bytes. The dummy byte occupies 8 bits, one per clock.

The device will normally not drive **SPI_DO** during the Instruction, Address or Dummy byte cycles, but see [Section 6.2.2, "Access During and Following Power Management," on page 27](#) for a special case.

For Fast Read instructions, one or more 8-bit data fields follow the dummy byte. For Write instructions, they immediately follow the address bytes.

Individual bytes in instruction, address and data fields are transferred with the most-significant bit (msb) first. The two-byte Address field is transferred with the most-significant byte (MSB) first. Multi-byte data values are transferred in the order specified by the DIR subfield of the Address field (bits [15:14]), and so their order can be effectively selected by using Increment mode (starting from the lowest byte address) or Decrement mode (starting from the highest byte address).

The SPI interface supports a minimum time of 50ns between successive commands (a minimum **SPI_CS** inactive time of 50ns).

The instructions supported by the SPI slave controller are listed in [Table 6-1](#). Unsupported instructions are reserved and must not be used.

TABLE 6-1: SPI INSTRUCTIONS

Instruction	Description	Bus Bit Width	Inst. Code	Address Bytes	Dummy Bytes	Data bytes	Max Freq.
Read							
FASTREAD	Read, higher speed format	1	0Bh	2	1	1 to ∞	25 MHz
Write							
WRITE	Write	1	02h	2	0	1 to ∞	25 MHz

6.2.1 DEVICE INITIALIZATION

Until the device has been initialized to the point where the various configuration inputs are valid, the SPI interface will not respond to or be affected by any external pin activity.

Once device initialization completes, the SPI interface will ignore the pins until a rising edge of **SPI_CS** is detected.

If the device initialization completes during an active cycle (**SPI_CS** low), the trailing end of the frame must be seen (**SPI_CS** returning high) before any internal registers are affected or the state of the SPI interface changes.

The first SPI access after device initialization must always be a dummy read to the [SPI Test Register \(SPI_TEST\) \(UPD360-C Only\)](#).

6.2.1.1 SPI Slave Read Polling for Initialization Complete

With an external weak pull-up resistor present on **SPI_DO**, a value of FFh will appear to have been read from any internal register while the device is uninitialized. By verifying the [SPI Test Register \(SPI_TEST\) \(UPD360-C Only\)](#) has at least one “0” bit in it, it is possible to tell when the device is initialized.

6.2.2 ACCESS DURING AND FOLLOWING POWER MANAGEMENT

The Wake event on SPI traffic is local to the specific device, and does not affect the states of other devices even on the same SPI bus. Until waking is complete, the SPI interface holds the **SPI_DO** pin low for the duration of the **SPI_CS** low time.

Until the device is awake, then, any Read access performed by the Master will appear to have returned all “1” bits. To determine when the device is awake and the SPI interface functional, the [SPI Test Register \(SPI_TEST\) \(UPD360-C Only\)](#) should be repeatedly polled by the Master in separate frames (**SPI_CS** low then high). Once a correct, non-zero value is read, the interface can be considered functional. As an alternative to polling, an **IRQ_N** pin assertion can be used to indicate the device is ready.

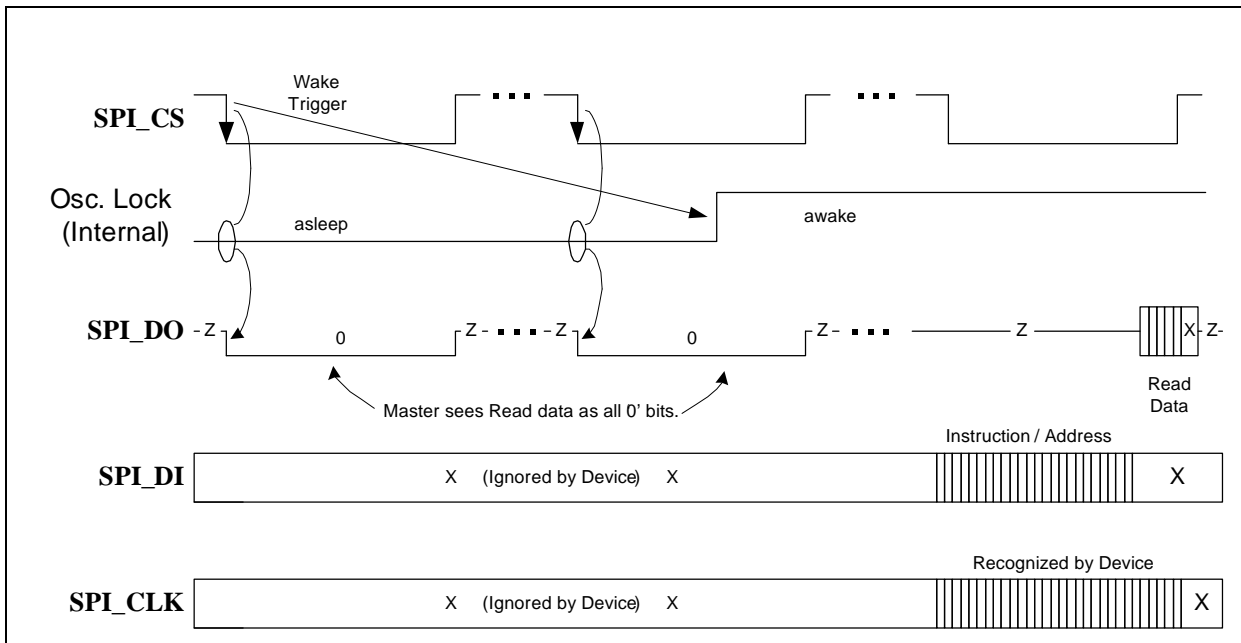
Once the power management mode changes back to ACTIVE, the SPI interface will still ignore the **SPI_CLK** and **SPI_DI** pins, following **SPI_CS** low with **SPI_DO** low, until **SPI_CS** is seen high. At the next **SPI_CS** falling edge, SPI communication will continue normally.

At any time after performing SPI traffic, the device will not go back to a non-communicating power state until explicitly allowed to do so by a command from the SPI Master.

UPD360

Figure 6-1 illustrates the sequence of waking from SPI traffic.

FIGURE 6-1: POWER MANAGEMENT WAKE ON SPI TRAFFIC



6.2.3 SPI READ COMMAND (FAST READ)

The Fast Read command is supported by the SPI slave. A single byte, or multiple bytes, may be read in a single frame (SPI_CS low).

Fast Read is the only form of Read access supported by the device. The instruction inputs the instruction code, the address and a dummy byte on SPI_DI, and outputs the data one bit per clock on SPI_DO.

The SPI slave interface is selected by first bringing SPI_CS active. The 8-bit FASTREAD instruction, 0Bh, is input into the SPI_DI pin, followed by the two address bytes and 1 dummy byte. The address bytes specify a Byte register address within the device, and also specify how addresses are sequenced for successive bytes in a Multiple Byte Read (below). The contents of the dummy byte are don't-care.

On the falling clock edge following the rising edge of the last dummy bit, the SPI_DO pin is driven starting with the most significant bit of the selected register byte. The remaining register bits are shifted out on subsequent falling clock edges.

The SPI_CS input is brought inactive to conclude the cycle. The SPI_DO pin is floated by the device in response.

6.2.3.1 Multiple Byte Reads

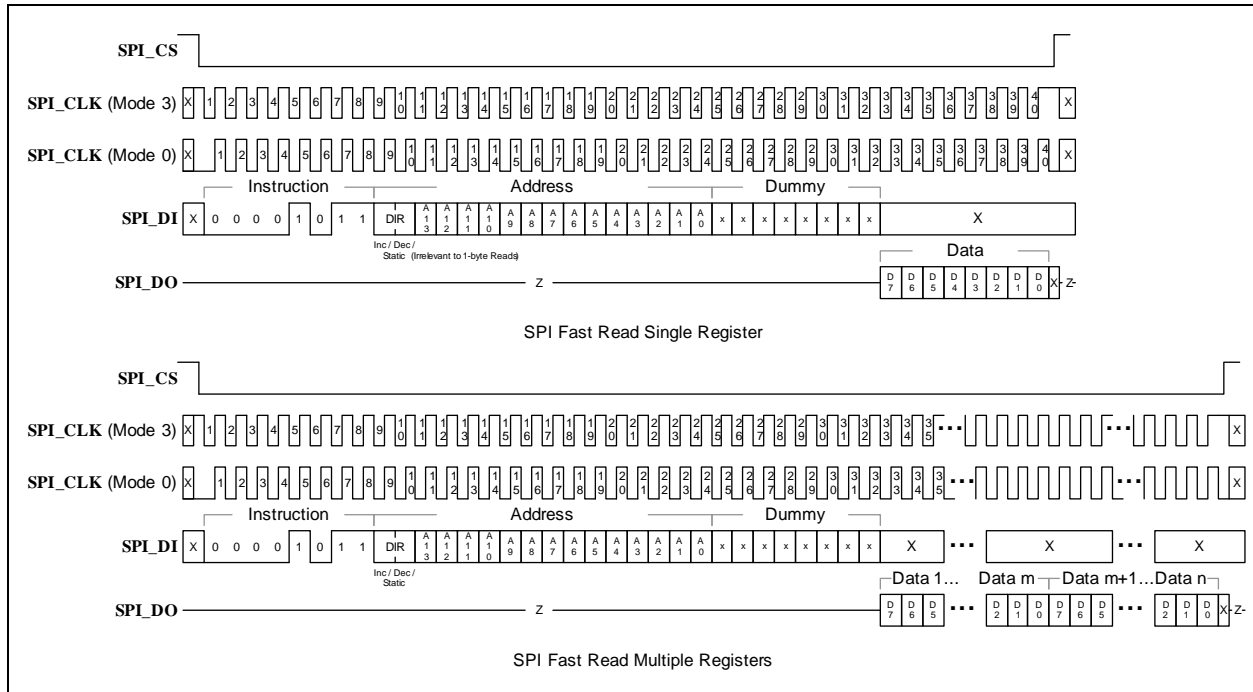
Additional byte reads beyond the first are performed by the Master by continuing the clock pulses while SPI_CS is active. The upper two bits [15:14] (DIR subfield) of the address specify Auto-Incrementing (DIR=00b) or Auto-Decrementing (DIR=10b) or Static (fixed) (DIR=11b) for successive bytes read. Maintaining a Static internal address is provided for FIFO Read/Write or low-level register polling within a single frame, if the Master supports it.

Towards the end of the current one-byte output shift the address is incremented or decremented, if appropriate, and another synchronized capture sequence is done.

6.2.3.2 Fast Read

Figure 6-2 illustrates a typical single and multiple register fast read for SPI mode.

FIGURE 6-2: SPI FAST READ



6.2.4 SPI WRITE COMMANDS

The following write commands are supported by the SPI slave controller:

- Write
- Multiple Writes

6.2.4.1 Write

The Write instruction provides the instruction code and address and data bytes on the SPI_DI pin, one bit per clock.

The SPI transfer is started by the Master first driving SPI_CS active. The 8-bit WRITE instruction, 02h, is given on the SPI_DI pin, followed by the two address bytes. The address bytes specify a byte address within the device, and a Direction control subfield (DIR).

The data immediately follows the address bytes on the SPI_DI pin, starting with the most significant bit of the first byte. The data is input from the SPI_DI pin by the device, shifted in on each subsequent rising clock edge.

6.2.4.2 Multiple Writes

Multiple writes are performed by the Master by continuing the clock pulses and SPI_DI data while SPI_CS remains active. The upper two bits [15:14] of the address constitute the DIR subfield, and specify auto-incrementing (DIR=00b) or auto-decrementing (DIR=10b) or Static addressing. The internal Byte address is incremented, decremented, or kept fixed (Static) based on these bits. Maintaining a fixed internal address may be useful for FIFO access, register “bit-banging” or other repeated activity.

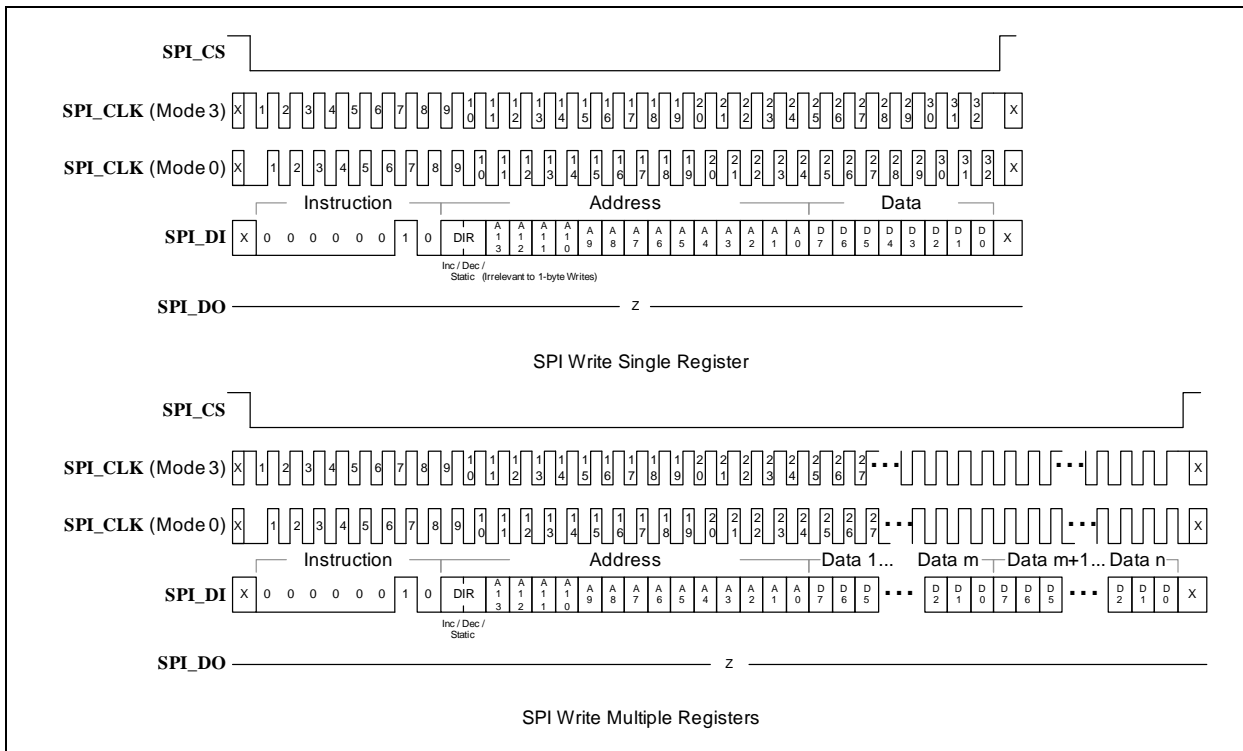
The data write to the register occurs after the full register contents are input: this depends on the defined size of the register. In the event that the full register is not written when SPI_CS is returned high, the write is considered invalid and the register is not affected.

The SPI_CS input is then brought inactive to conclude the cycle.

UPD360

Figure 6-3 illustrates a typical SPI single and multiple register write.

FIGURE 6-3: SPI WRITE



6.2.5 SPECIAL CSR HANDLING

6.2.5.1 Live Bits

Register values are latched (registered) at the beginning of each register read to prevent the host from reading a changing value. The latching occurs individually per register in a multiple register read sequence.

6.2.5.2 Change-on-Read Registers and FIFOs

Any single-byte register that triggers a side-effect from a read operation (for example, containing “clear on read” bits, or advancing a FIFO structure) triggers only after the host has begun accessing the value. The value seen by the master will always be the original value and never the updated result of the side-effect.

For a multiple-byte register that is considered a single unit, the change may be delayed until all bytes of the register have been read. In the event that the host sends a no-acknowledge on one of the first bytes of a multi-byte register, or a start or stop condition occurs unexpectedly before the acknowledge of the full register, the read may be considered invalid and the side-effect not triggered.

Registers read in multiple-register read access will trigger multiple side-effects, occurring as they are read. The following registers have read side-effects:

- [Watchdog Count Register \(WDT_COUNT\)](#)

6.2.5.3 Live Bits that are also Change-on-Read

As described above, the current value from a register with live bits (as is the case of any register) is captured and latched as output data, and Change on Read bits are then changed in the original register. To prevent loss of a hardware event that occurs following the data capture but before the Change on Read, these hardware events are held pending until after the read action and after any change due to the read. This sequence also ensures an edge in the bit due to the hardware event.

7.0 CLOCKS, RESETS, AND POWER MANAGEMENT

This section details the various clocks, resets, and power managements states of the device:

7.1 Clocks

The following internal clocks are generated by the device:

- **48 MHz Relaxation Oscillator**
- **20 KHz Keep Alive Oscillator**
- **Ring Oscillator**

These oscillators can be manually enabled/disabled via the [Clock Control Register \(CLK_CTL\)](#).

7.2 Power States

The device supports four power states, as defined in the following sub-sections:

- [SLEEP](#)
- [STANDBY](#)
- [ACTIVE_PPC_OFF](#)
- [ACTIVE_PPC_ON](#)

7.2.1 SLEEP

This is the lowest power state of the device. The SLEEP state is entered via assertion of the **PWR_DN** pin. Virtually all of the device is powered off in this mode with minimal circuitry in the 3.3V domain to detect deassertion of **PWR_DN**.

This mode is intended to minimize power consumption when the device is not being used in battery powered applications. In these applications, a wake up event such as a button press, can cause the host CPU to deassert **PWR_DN**.

7.2.2 STANDBY

STANDBY is the lowest power functional state of the device. The majority of the device is powered off in this state. The internal CC comparator and 20 KHz oscillator are enabled in this state as well as requisite analog components (1.8V LDO, PORs, Biases, etc).

The CC lines are constantly monitored for an attach condition which shall result in an interrupt assertion to the host. If an attachment has been made, this state can detect a change in the partner's advertisement as well as a detach.

STANDBY is the power state that the UPD360 device will be in when in USB Type-C™ Unattached.SRC/SNK.

The following asynchronous wake-ups are supported from this state:

- [Asynchronous I2C Wakeup \(UPD360-A/UPD360-B Only\)](#)
- [Asynchronous SPI Wakeup \(UPD360-C Only\)](#)
- [Power Delivery MAC Wakeup](#)

7.2.3 ACTIVE_PPC_OFF

This state defines the condition where the internal 48 MHz oscillator is enabled, but the Port Power Controller is disabled. A use case for this state would be when it is desired to debounce a GPIO for a micro-second period. In that case, the internal 48 MHz oscillator is required to time the debounce.

The device also momentarily enters this state when being addressed via software I²C/SPI accesses or to implement Power Delivery communications.

The UPD360 will be in ACTIVE_PPC_OFF primarily when in USB Type-C™ Attached.SNK state, or Attached.SRC state with VBUS being driven by an external power source.

7.2.4 ACTIVE_PPC_ON

This state defines the condition where the Port Power Controller is operational, which necessitates the internal 48 MHz oscillator be enabled for the Port Power Controller.

UPD360

The UPD360 will be in ACTIVE_PPC_ON state when in USB Type-C™ Attached.SRC state with VBUS being driven by the internal 5V port power controller.

7.3 Asynchronous I²C Wakeup (UPD360-A/UPD360-B Only)

The device supports asynchronous wakes on the I²C slave interface. Via clock stretching, the I²C transaction that caused the wakeup will not be lost and does not have to be repeated by the host. The device will not clock stretch for more than 3 us.

The following steps illustrate the I²C wake function. Initially the Ring Oscillator and 48 MHz Oscillator are disabled.

1. The Host initiates an I²C transaction to the device.
2. The device asynchronously detects reception of the Start Bit and enables clock stretching by pulling-down **I2C_CLK** after the host drives SCL low. The Ring Oscillator is asynchronously enabled and used as a clock source for the power management logic.
3. After a delay of approximately 5 us the oscillator stabilizes and clocks the I²C controller.
4. Clock stretching is disabled and the I²C controller is enabled and begins processing the pending transaction.
5. The I²C transaction completes.
6. The Host checks the device status to see if there are any pending transactions. The I²C transaction may have initiated a PD transmission or conversely a coincident PD transaction may be in the process of being received.
7. After host confirms the device has no pending transactions, it power downs the device by disabling the Ring Oscillator and 48 MHz Relaxation Oscillator via [Clock Control Register \(CLK_CTL\)](#).
8. The device is ready to accept future asynchronous I²C wake event.

7.4 Asynchronous SPI Wakeup (UPD360-C Only)

UPD360 supports asynchronous wakes on the SPI interface. The SPI protocol for this device is defined such that there is no requirement that the SPI transaction must be repeated.

The following steps illustrate the SPI wake function. Initially the Ring Oscillator and 48 MHz Oscillator are disabled.

1. The device is powered down.
2. The Host initiates an SPI transaction to the [SPI Test Register \(SPI_TEST\) \(UPD360-C Only\)](#) which, when the device is operational, returns a non-zero value. The device drives **SPI_DO** to 0b while in power-down.
3. The device detects reception of an SPI message. The Ring Oscillator is asynchronously enabled and used as a clock source for the power management logic.
4. After a delay of approximately 5 us the oscillator stabilizes and clocks the SPI controller.
5. The device processes the next received SPI transaction.
6. The SPI transaction(s) complete(s).
7. The Host checks the device status to see if there are any pending transactions. The SPI transaction may have initiated a PD transmission or conversely a coincident PD transaction may be in the process of being received.
8. After the Host confirms the device has no pending transactions, it powers down the device by disabling the Ring Oscillator, and 48 MHz Relaxation Oscillator via [Clock Control Register \(CLK_CTL\)](#).
9. The device drives **SPI_DO** to 0b and awaits an asynchronous SPI wake.

7.5 Power Delivery MAC Wakeup

The PD MAC is capable of asynchronous wakeup upon reception of a PD packet. This enables the device to be placed in STANDBY mode and minimize power consumption.

The following steps illustrate the RX PD MAC wake function. Initially the Ring Oscillator and the 48 MHz Relaxation Oscillator are disabled. The 20 KHz Keep Alive Oscillator is enabled, but not used in the wake process.

1. In order to receive a PD message, the RX AFE is enabled via software and the trip point is set via the [CC RX DAC Control Register \(CC_RX_DAC_CTL\)](#) and [CC RX DAC Filter Register \(CC_RX_DAC_FILT\)](#).
2. The PD MAC is configured and enabled via software.
3. The device is powered down. Software disables the 48 MHz Relaxation Oscillator, and Ring Oscillator if enabled, via the [Clock Control Register \(CLK_CTL\)](#).
4. After some time elapses, the device receives a PD message from the attached partner.
5. The PD MAC asynchronously detects preamble activity on the CC line and enables the 48 MHz Relaxation Oscillator.
6. The oscillator is operational in approximately 5 us, at which point the PD MAC is operational.
7. The PD MAC receives the remainder of the preamble and stores the message into the RX FIFO, and in accordance with the PD protocol, responds with GoodCRC as required.
8. An interrupt is issued via assertion of the **IRQ_N** pin.
9. Software services the interrupt via I²C, reads the PD message, and responds as required.
10. The device is then powered down. Software disables the 48 MHz Relaxation Oscillator and Ring Oscillator via the [Clock Control Register \(CLK_CTL\)](#).
11. The device remains powered down until the next PD message is received.

7.6 Interrupt Assertion from STANDBY

When the device is in [STANDBY](#) it is able to detect a number of events that may be configured to assert the **IRQ_N** pin upon being appropriately programmed via software. The logic detecting such events operates off of the 20 KHz Keep Alive Oscillator.

Upon the occurrence of an event, which is programmed to assert **IRQ_N**, the 48 MHz Relaxation Oscillator and Ring Oscillator are enabled. Upon synchronization, the **IRQ_N** pin shall assert.

After software services the source interrupt(s), it should disable the 48 MHz Relaxation Oscillator and Ring Oscillator via the [Clock Control Register \(CLK_CTL\)](#) to place the part back in [STANDBY](#).

The following example sequence illustrates the steps for configuring the device to detect an OCS event on the **OCS_COMP1** pin while in [STANDBY](#).

1. Software enables the [OCS_CMP_INT](#) bit in the [Interrupt Enable Register \(INT_EN\)](#).
2. Software enables OCS detection, as defined in [Section 8.3, "External Over-current Detection"](#), to sample the **OCS_COMP1** pin.
3. Software disables the 48 MHz Relaxation Oscillator and Ring Oscillator via the [Clock Control Register \(CLK_CTL\)](#).
4. An OCS event occurs and is detected on **OCS_COMP1**.
5. The Ring Oscillator is enabled and is used to as the device's operational clock.
6. The device enables the 48 MHz oscillator and waits about 5 us for the oscillator to stabilize.
7. The 48 MHz oscillator is stable.
8. After synchronization is complete, the **IRQ_N** pin is asserted.
9. Software detects **IRQ_N** assertion and services the interrupt.
10. Software disables the 48 MHz Relaxation Oscillator and Ring Oscillator via the [Clock Control Register \(CLK_CTL\)](#) to place the part back in [STANDBY](#).

UPD360

7.7 Reset Operation

The following chip-level resets are supported by the device:

- Power-On-Reset (POR)
- Pin Reset (**RESET_N**)
- Software Reset (**SRESET** in [Hardware Control Register \(HW_CTL\)](#))
- Watchdog Timer (**WDT_STS**)

Chip-level resets trigger the sampling of the **CFG_SEL0** and **CFG_SEL1** configuration straps (see [Section 9.8.1, "Configuration Selection,"](#) on page 81 for additional information). Chip-level reset completion can be determined by assertion of the **RDY_INT** bit in the [Interrupt Enable Register \(INT_EN\)](#) and assertion of the **IRQ_N** pin.

The following is a summary of steps that occur after a chip-level reset.

1. System level reset event (POR, **RESET_N**, **SRESET**, **WDT_STS**) occurs.
2. The device enables the 20 KHz Keep Alive Oscillator, 48 MHz Relaxation Oscillator, and 1MHz Ring Oscillator.
3. The device samples the **CFG_SELx** pins.
4. The device configures itself in accordance with the **CFG_SELx** pin and settings.
5. The device is enabled, the **RDY_INT** bit in the [Interrupt Enable Register \(INT_EN\)](#) asserts, the **IRQ_N** pin asserts.
6. The device disables the 48 MHz Relaxation Oscillator and the Ring Oscillator.

7.8 Clocks and Power Management Registers

This section details the clocks and power management registers. For an overview of the entire device register map, refer to [Section 4.0, "Register Map,"](#) on page 19.

TABLE 7-1: CLOCKS AND POWER MANAGEMENT REGISTERS MAP

Address	Register Name (Symbol)
1000h	Clock Control Register (CLK_CTL)
1001h – 13FFh	Reserved for future expansion

Note: RESERVED address space must not be written under any circumstances. Failure to heed this warning may result in untoward operation and unexpected results.

7.8.1 CLOCK CONTROL REGISTER (CLK_CTL)

Address: 1000h Size: 8 bits

Bits	Description	Type	Default
7:3	RESERVED	RO	-
2	Ring Oscillator Enable 0: Oscillator is disabled. 1: Oscillator is enabled.	R/W	0b
1	48 MHz Relaxation Oscillator Enable 0: Oscillator is disabled. 1: Oscillator is enabled.	R/W	Note 7-1
0	20 KHz Keep Alive Oscillator Enable 0: Oscillator is disabled. 1: Oscillator is enabled.	R/W	1b

Note 7-1 This bit will always appear asserted when read by software, as the 48 MHz Relaxation Oscillator must be enabled to facilitate I²C/SPI transactions.

8.0 SYSTEM CONTROL

This section details the following system controls:

- [System Interrupts](#)
- [General Purpose I/O](#)
- [External Over-current Detection](#)
- [System Control Registers](#)

8.1 System Interrupts

The device provides an open drain interrupt pin, **IRQ_N**, which is asserted as a function of the System Control's [Interrupt Status Register \(INT_STS\)](#) and [Interrupt Enable Register \(INT_EN\)](#). The following interrupts are supported:

- HPD Interrupt
- Power Switch Module Interrupt
- Watchdog Timer Assertion Interrupt
- Port Power Controller Interrupt
- Power Delivery MAC Interrupt
- OCS Comparator Interrupt
- PIO Override Interrupt
- PIO Interrupt
- CC Interrupt
- VBUS Interrupt
- Power Control Interrupt
- Device Ready Interrupt

In order to clear an interrupt status bit, the source of the asserted bit in [Interrupt Status Register \(INT_STS\)](#) must be cleared. This process typically involves dealing with the module (e.g. PD MAC, CC, Port Power Controller, Watchdog Timer, Power Switch, etc.) that triggered the interrupt or configuring the respective module's interrupt enable register to disable assertion.

The PIO interrupts are cleared by writing "1" to the asserted bit(s) in [PIO Interrupt Status Register \(PIO_INT_STS\)](#). The PIO Override interrupts are cleared by writing "1" to the asserted bit(s) in [PIO Override Interrupt Status Register \(PIO_OVR_INT_STS\)](#). The OCS interrupts are cleared by writing "1" to the asserted bit(s) in [OCS Comparator Change Status Register \(OCS_CMP_CHG_STS\)](#).

[Figure 8-1](#) illustrates the device's interrupt hierarchy. [Figure 8-2](#) illustrates the generation of the **CC_INT** bit in the [Interrupt Status Register \(INT_STS\)](#).

FIGURE 8-1: SYSTEM INTERRUPT HIERARCHY

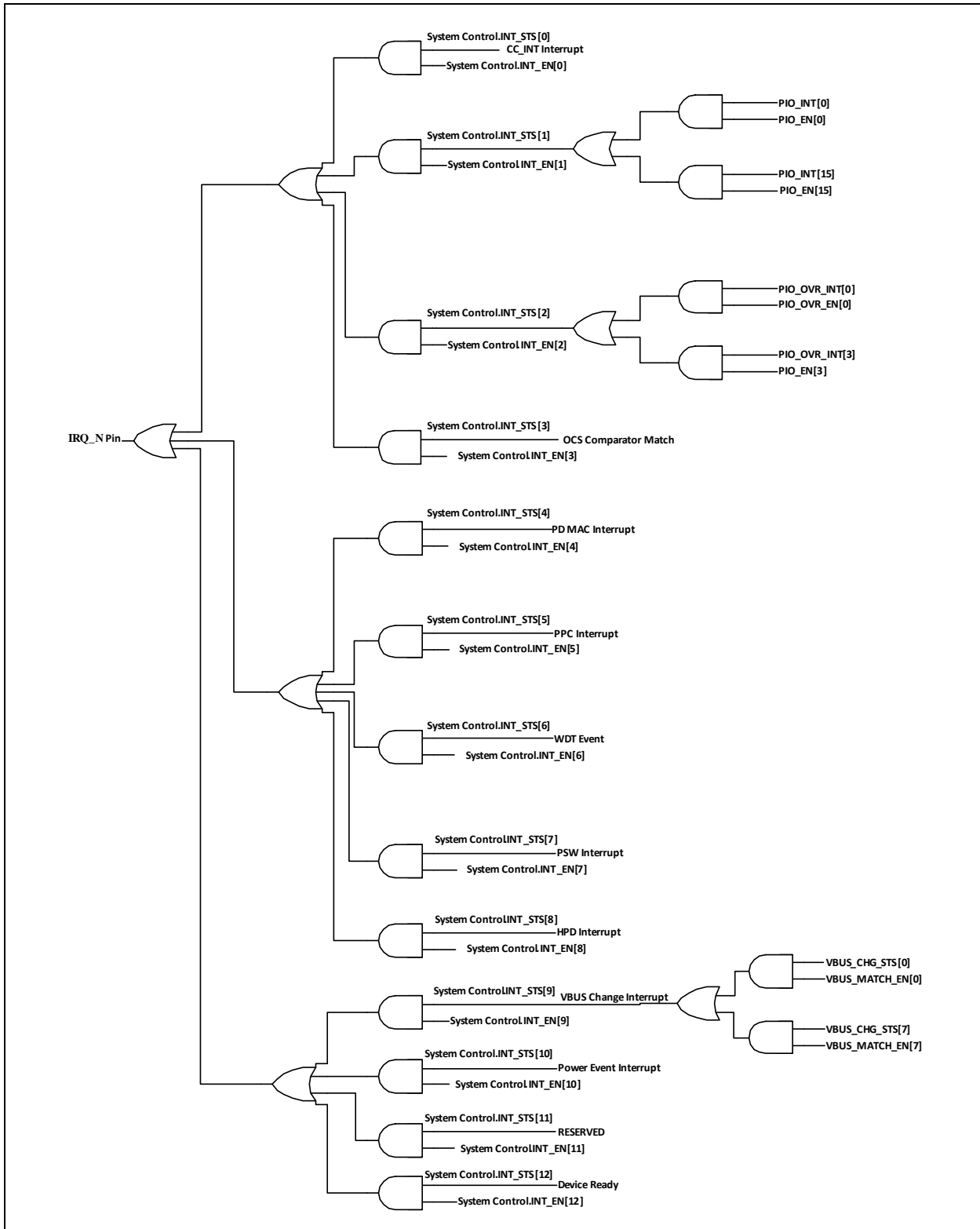
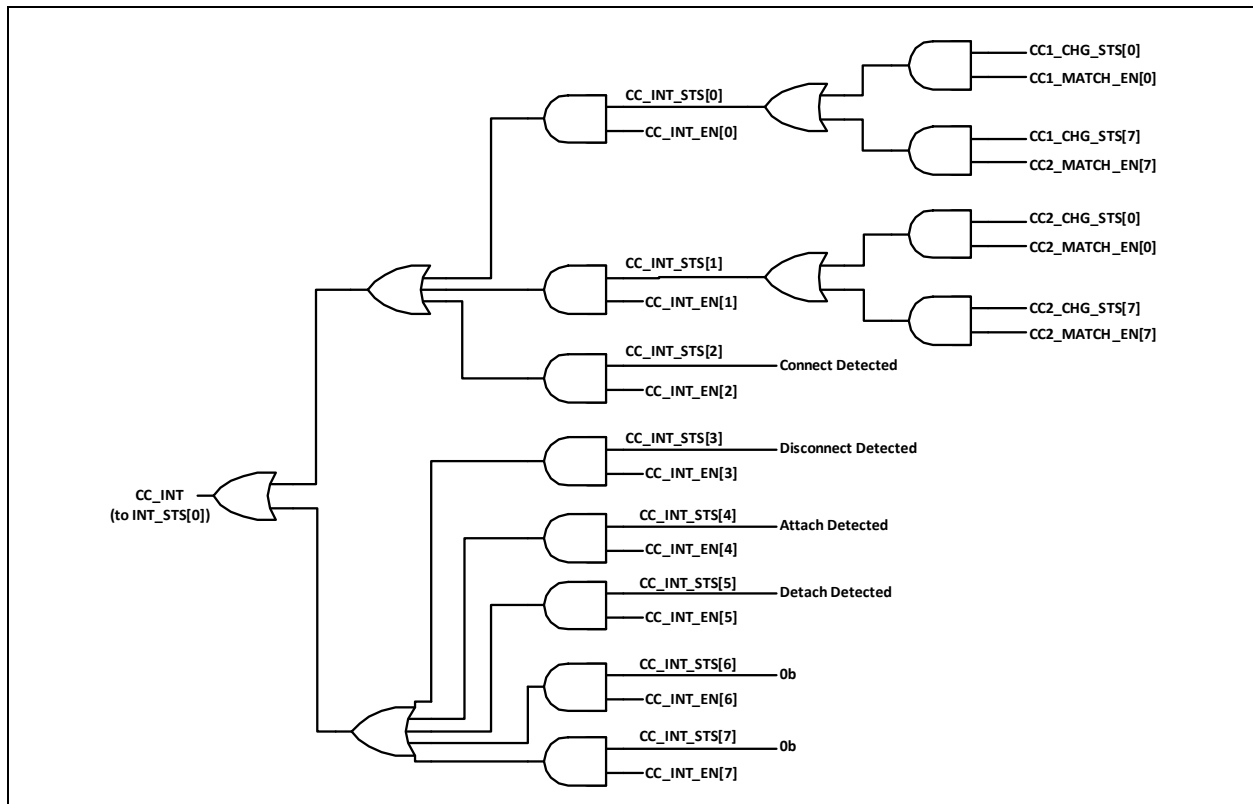


FIGURE 8-2: CC_INT INTERRUPT HIERARCHY



8.2 General Purpose I/O

A key function of the UPD360 is to manage external devices via up to sixteen PIOs. Usually this is accomplished via host software programming of the PIOs.

In some cases the UPD360 must automatically override the PIO state in response to an error condition. Features have been incorporated into the design to enable such operation. This is required in cases where the latency introduced by reliance on software to affect PIO state is either too long or not deterministic.

A PIO is configured via the respective [Configure PIOx Registers \(CFG_PIOx\)](#). A PIO may also be configured to assert [PIO_INT](#) in [Interrupt Status Register \(INT_STS\)](#). The state of a PIO is known by reading the [PIO Status Register \(PIO_STS\)](#).

A mechanism exists for multiple PIO outputs to be updated via a single register write. This is accomplished via the [Configure PIO Output Register \(CFG_PIO_OUT\)](#). Writes to this register that change the output value of a PIO are reflected in the [DataOutput](#) bit of the respective [Configure PIOx Registers \(CFG_PIOx\)](#). Likewise, writes to [DataOutput](#) in the [Configure PIOx Registers \(CFG_PIOx\)](#) will update the respective bit in the [Configure PIO Output Register \(CFG_PIO_OUT\)](#).

Note: The GPO1 and GPO10 general purpose signals can only function as outputs and must be kept in a low state coincident with de-asserting RESET_N.

Note: GPIO0 is not available in the UPD360-C.

Note: In Standalone DFP/UFP modes (*UPD360-A/UPD360-B only*), GPIOs 9-15 have alternate dedicated functions, as defined in [Section 3.1.1.1, "UPD360-A/UPD360-B GPIO\[9:15\] Functions in Standalone DFP/UFP Modes,"](#) on page 11

UPD360

8.2.1 PIO SIMULTANEOUS UPDATE

A mechanism has been incorporated to enable multiple PIOs to be updated simultaneously. This is desirable to simplify software and prevent devices controlled by the UPD360 from entering an intermediary unknown state. Of particular concern would be devices responsible for managing power.

The [Configure PIOx Registers \(CFG_PIOx\)](#) CSR is updated by this function. When the simultaneous update request is accepted by hardware, the contents of the PIO registers are simultaneously updated.

The example below illustrates simultaneous PIO update operation:

1. Software changes [Configure PIOx Update Registers \(CFG_PIOx_UPD\)](#) as required.
2. Software changes [Configure PIO Output Update Register \(CFG_PIO_OUT_UPD\)](#) as required.

Note: The [Configure PIO Output Update Register \(CFG_PIO_OUT_UPD\)](#) and [Configure PIOx Update Registers \(CFG_PIOx_UPD\)](#) must be programmed consistently by software. If the output value bits are different between the two registers, then the value in [Configure PIOx Update Registers \(CFG_PIOx_UPD\)](#) will be used for updating the [Configure PIOx Registers \(CFG_PIOx\)](#) and the respective bit in [Configure PIO Output Register \(CFG_PIO_OUT\)](#).

3. Software sets the [Configure PIOx Update Registers \(CFG_PIOx_UPD\)](#) to initiate the update.
4. A pending PIO override blocks acceptance of the update request. Only after the pending PIO override is cleared will the device clear [PIO_UPD_REQ](#). The pending PIO override is cleared via the [PIO Override Enable Register \(PIO_OVR_EN\)](#).
5. After the update is accepted, [PIO_UPD_REQ](#) clears automatically.

APPLICATION NOTE: If a PIO override is pending, the PIO simultaneous update is blocked.

8.2.2 PIO OVERRIDE

8.2.2.1 Overview

A mechanism is defined in this section to enable the state of a PIO to be changed without software intervention. This provides a mechanism to instantaneously disable a power circuit, controlled by a UPD360 PIO, based upon a change in the state of a selected PIO input, OCS detection or other event.

8.2.2.2 Description

Four override functions are included in device. For each function, a PIO or other source must be selected for monitoring via the corresponding [PIO Override x Source Select Registers \(PIO_OVRx_SRC_SEL\)](#). The value to be monitored is set in the [PIO Override Monitor Value Register \(PIO_OVR_MON_VAL\)](#) and is compared with the state of the respective PIO. When these values match for an override, the enabled PIO outputs change their state accordingly.

PIO outputs controlled by an override are enabled by the [PIO Override x Output Enable Registers \(PIO_OVRx_OUT_EN\)](#). Each override has an instance in this register. A PIO may be used across multiple overrides.

Firmware can be notified that an override was executed via assertion of [PIO_OVERRIDE_INT](#) in the [Interrupt Status Register \(INT_STS\)](#), if [Interrupt Enable Register \(INT_EN\)](#) is appropriately configured.

8.3 External Over-current Detection

The device incorporates an analog comparator DAC circuit to detect an over-current condition. This feature is supported via the **OCS_COMP1** and/or **OCS_COMP2** pin.

This feature is enabled as follows:

1. Software clears the **OCS Comparator Control** bit in the **OCS Comparator Control Register (OCS_CMP_CTL)** to determine the OCS debouncer.
2. Software polls **OCS_DB_ACTIVE** until it clears, which indicates the OCS debouncer is disabled.
3. If **OCS_COMP2** is desired, the shared PIO must be disabled via the **Configure PIOx Registers (CFG_PIOx)**.
4. Software programs one or both of the **OCS Comparator x Threshold Registers (OCS_CMPx_THR)**, as required.
5. Software programs the **OCS Comparator Debounce Register (OCS_CMP_DEBOUNCE)**.
6. Software enables the **OCS_COMPx** pin(s) via the **OCS Comparator Match Enable Register (OCS_CMP_-MATCH_EN)**.
7. Software enables the respective interrupt in the **Interrupt Enable Register (INT_EN)**.
8. Software sets the **OCS Comparator Control** bit in the **OCS Comparator Control Register (OCS_CMP_CTL)** to enable comparison on **OCS_COMP1** and/or **OCS_COMP2**, as desired.
9. Detection of an over current event by the comparator results in the respective bit of the **OCS Comparator Change Status Register (OCS_CMP_CHG_STS)** and **OCS_CMP_INT** asserts. The **IRQ_N** pin will assert, if configured.
10. Software writes to the **OCS Comparator Change Status Register (OCS_CMP_CHG_STS)** to clear **OCS_CMP_INT**. For a Lo-to-Hi transition, the respective bit in the **OCS Comparator Match Register (OCS_CMP_-MATCH)** is set, while for a Hi-to-Lo transition the bit is cleared.

This feature is disabled when software clears the **OCS Comparator Control** bit in the **OCS Comparator Control Register (OCS_CMP_CTL)**. Either **OCS_COMPx** pin may be used to trigger a PIO override.

8.4 General Purpose Timer

The device incorporates a low power general purpose timer that operates off a 20 kHz oscillator and implements a 16-bit one-shot down counter. When the timer underflows, it asserts the **GP_UFLOW** bit in **General Purpose Timer Interrupt Source Register (GP_TIMER_INT_SRC)** and stops counting. This in turn causes the **GP_TIMER_INT** to assert in **Interrupt Status Register (INT_STS)**. The interrupt persists until the **GP_UFLOW** bit is cleared. If the respective bit is set in **Interrupt Enable Register (INT_EN)**, the **IRQ_N** pin will assert.

The timer's upper threshold is loaded via the **General Purpose Timer Load Register (GP_TIMER_LOAD)**. Setting **RESET** in the **General Purpose Timer Control Register (GP_TIMER_CTL)** causes the timer's internal counter to be loaded to this value.

The timer is enabled by setting **ENABLE** in the **General Purpose Timer Control Register (GP_TIMER_CTL)**. This causes the timer to decrement every 1 ms. The timer continues to decrement until it underflows or it is disabled.

Note: The underflow condition is defined as when the down counter transitions from 0x0000 to 0xFFFF.

Clearing the **ENABLE** bit in the **General Purpose Timer Control Register (GP_TIMER_CTL)** disables the timer and it stops counting.

The timer's current count can be read from **General Purpose Timer Count Register (GP_TIMER_COUNT)**. The timer should be halted by clearing **ENABLE** before reading it. After the count is read, the **ENABLE** may be set again and the counter will resume.

The **DIS_ON_UFLOW** bit in the **General Purpose Timer Control Register (GP_TIMER_CTL)** causes the timer to automatically disable upon underflow detection and assert **GP_UFLOW**. In this case the assertion of **GP_UFLOW** is delayed until the timer is fully disabled.

APPLICATION NOTE: This timer enables clocking sources to be disabled in the host CPU which is useful for timing events such as DRP. This helps provide for a lower total power system solution.

The following steps illustrate the usage model for DRP implementation:

1. Software configures the device as a DFP or UFP. See [Section 9.4, "DRP Operation"](#) for further details.
2. Software enables the **GP_TIMER_INT** in the **Interrupt Enable Register (INT_EN)**.

UPD360

3. Software programs the [General Purpose Timer Load Register \(GP_TIMER_LOAD\)](#) to a random value that complies with the range for tDRP period as defined in the USB Type-C Specification.
4. Software sets the [ENABLE](#), [RESET](#) and [DIS_ON_UFLOW](#) bits in the [General Purpose Timer Control Register \(GP_TIMER_CTL\)](#). This causes the value in the [General Purpose Timer Load Register \(GP_TIMER_LOAD\)](#) to be loaded into the timer and it begins decrementing. This also configures the timer to delay assertion of [GP_UFLOW](#) in the [General Purpose Timer Interrupt Source Register \(GP_TIMER_INT_SRC\)](#) until the timer is fully disabled.

APPLICATION NOTE: Writes to [General Purpose Timer Load Register \(GP_TIMER_LOAD\)](#) and [General Purpose Timer Control Register \(GP_TIMER_CTL\)](#) defined in the prior steps may be done in the same I²C write burst.

5. Upon timer expiration, the [GP_UFLOW](#) bit will be set and the [GP_TIMER_INT](#) asserts in [Interrupt Status Register \(INT_STS\)](#).
6. The [IRQ_N](#) pin asserts.
7. Software services the IRQ and determines whether or not a connection has been established with a UFP, or DFP. If no connection has been established, software changes the device's role. See [Section 9.4, "DRP Operation"](#) for further details.
8. Software programs the [General Purpose Timer Load Register \(GP_TIMER_LOAD\)](#) to a random value that complies with the range of the tDRP period as defined in the USB Type-C Specification.
9. Software shall clear the [GP_UFLOW](#) bit in the [General Purpose Timer Interrupt Source Register \(GP_TIMER_INT_SRC\)](#).
10. Software sets the [ENABLE](#), [RESET](#) and [DIS_ON_UFLOW](#) bits in [General Purpose Timer Control Register \(GP_TIMER_CTL\)](#). This causes the value in [General Purpose Timer Load Register \(GP_TIMER_LOAD\)](#) to be loaded into the timer and the timer begins decrementing.

APPLICATION NOTE: Writes to the [General Purpose Timer Load Register \(GP_TIMER_LOAD\)](#), [General Purpose Timer Interrupt Source Register \(GP_TIMER_INT_SRC\)](#) and [General Purpose Timer Control Register \(GP_TIMER_CTL\)](#) defined in the prior steps may be done in the same I²C write burst.

11. Upon timer expiration, and timer disablement, the [GP_UFLOW](#) bit will be set and the [GP_TIMER_INT](#) asserts in [Interrupt Status Register \(INT_STS\)](#).
12. The [IRQ_N](#) pin asserts.
13. Software services the IRQ and determines if a connection has been established with a UFP, or DFP. If no connection has been established SW changes the device's role. See [Section 9.4, "DRP Operation"](#) for further details.
14. Goto step 8.

8.5 System Control Registers

This section details the system control registers. For an overview of the entire device register map, refer to [Section 4.0, "Register Map,"](#) on page 19.

TABLE 8-1: SYSTEM CONTROL REGISTER MAP

Address	Register Name (Symbol)
0000h	Device ID Register (ID_REV)
0004h	USB Vendor ID Register (VID)
0006h	USB Product ID Register (PID)
0008h	USB PD Revision Register (PD_REV)
000Ah	USB Type-C™ Revision Register (C_REV)
000Bh - 000Dh	Reserved for future expansion
000Eh	SPI Test Register (SPI_TEST) (UPD360-C Only)
0010h	Interrupt Status Register (INT_STS)
0014h	Interrupt Enable Register (INT_EN)
0018h	Hardware Control Register (HW_CTL)
001Ah	I2C Slave Address Register (I2C_ADDR) (UPD360-A/UPD360-B Only)
001Bh	PPC Status Register (PPC_BUSY)
001Ch - 001Fh	Reserved for future expansion
0020h	PIO Status Register (PIO_STS)
0022h	PIO Interrupt Status Register (PIO_INT_STS)
0024h	PIO Interrupt Enable Register (PIO_INT_EN)
0026h - 002Fh	Reserved for future expansion
0030h	Configure PIOx Registers (CFG_PIOx) x=0
0031h	Configure PIOx Registers (CFG_PIOx) x=1
0032h	Configure PIOx Registers (CFG_PIOx) x=2
0033h	Configure PIOx Registers (CFG_PIOx) x=3
0034h	Configure PIOx Registers (CFG_PIOx) x=4
0035h	Configure PIOx Registers (CFG_PIOx) x=5
0036h	Configure PIOx Registers (CFG_PIOx) x=6
0037h	Configure PIOx Registers (CFG_PIOx) x=7
0038h	Configure PIOx Registers (CFG_PIOx) x=8
0039h	Configure PIOx Registers (CFG_PIOx) x=9
003Ah	Configure PIOx Registers (CFG_PIOx) x=10
003Bh	Configure PIOx Registers (CFG_PIOx) x=11
003Ch	Configure PIOx Registers (CFG_PIOx) x=12
003Dh	Configure PIOx Registers (CFG_PIOx) x=13
003Eh	Configure PIOx Registers (CFG_PIOx) x=14
003Fh	Configure PIOx Registers (CFG_PIOx) x=15
0040h	Configure PIOx Update Registers (CFG_PIOx_UPD) x=0
0041h	Configure PIOx Update Registers (CFG_PIOx_UPD) x=1
0042h	Configure PIOx Update Registers (CFG_PIOx_UPD) x=2
0043h	Configure PIOx Update Registers (CFG_PIOx_UPD) x=3
0044h	Configure PIOx Update Registers (CFG_PIOx_UPD) x=4
0045h	Configure PIOx Update Registers (CFG_PIOx_UPD) x=5
0046h	Configure PIOx Update Registers (CFG_PIOx_UPD) x=6
0047h	Configure PIOx Update Registers (CFG_PIOx_UPD) x=7

UPD360

TABLE 8-1: SYSTEM CONTROL REGISTER MAP (CONTINUED)

Address	Register Name (Symbol)
0048h	Configure PIOx Update Registers (CFG_PIOx_UPD) x=8
0049h	Configure PIOx Update Registers (CFG_PIOx_UPD) x=9
004Ah	Configure PIOx Update Registers (CFG_PIOx_UPD) x=10
004Bh	Configure PIOx Update Registers (CFG_PIOx_UPD) x=11
004Ch	Configure PIOx Update Registers (CFG_PIOx_UPD) x=12
004Dh	Configure PIOx Update Registers (CFG_PIOx_UPD) x=13
004Eh	Configure PIOx Update Registers (CFG_PIOx_UPD) x=14
004Fh	Configure PIOx Update Registers (CFG_PIOx_UPD) x=15
0050h	PIO Override x Source Select Registers (PIO_OVRx_SRC_SEL) x=0
0051h	PIO Override x Source Select Registers (PIO_OVRx_SRC_SEL) x=1
0052h	PIO Override x Source Select Registers (PIO_OVRx_SRC_SEL) x=2
0053h	PIO Override x Source Select Registers (PIO_OVRx_SRC_SEL) x=3
0054h	PIO Override Monitor Value Register (PIO_OVR_MON_VAL)
0055h	PIO Override Enable Register (PIO_OVR_EN)
0056h	PIO Override Status Register (PIO_OVR_STS)
0057h	PIO Override Interrupt Status Register (PIO_OVR_INT_STS)
0058h	PIO Override Interrupt Enable Register (PIO_OVR_INT_EN)
0059h	Configure PIO Output Register (CFG_PIO_OUT)
005Bh	Configure PIO Output Update Register (CFG_PIO_OUT_UPD)
005Dh - 005Fh	Reserved for future expansion
0060h	PIO Override x Output Enable Registers (PIO_OVRx_OUT_EN) x=0
0062h	PIO Override x Output Enable Registers (PIO_OVRx_OUT_EN) x=1
0064h	PIO Override x Output Enable Registers (PIO_OVRx_OUT_EN) x=2
0066h	PIO Override x Output Enable Registers (PIO_OVRx_OUT_EN) x=3
0068h	PIO Override Output Register (PIO_OVR_OUT)
006Ah	PIO Override Direction Register (PIO_OVR_DIR)
006Ch	PIO Debounce Count Ten Millisecond Register (PIO_DEBOUNCE_10MS_COUNT)
006Dh	PIO Debounce Count One Millisecond Register (PIO_DEBOUNCE_1MS_COUNT)
006Eh	PIO Debounce Count One Microsecond Register (PIO_DEBOUNCE_1US_COUNT)
006Fh	PIO Debounce Status Register (PIO_DEBOUNCE_STS)
0070h	PIO Debounce Enable Register (PIO_DEBOUNCE_EN)
0074h – 007Fh	Reserved for future expansion
0080h	OCS Comparator Control Register (OCS_CMP_CTL)
0081h	OCS Comparator Match Register (OCS_CMP_MATCH)
0082h	OCS Comparator Change Status Register (OCS_CMP_CHG_STS)
0083h	OCS Comparator Match Enable Register (OCS_CMP_MATCH_EN)
0084h	OCS Comparator x Threshold Registers (OCS_CMPx_THR) x=1
0086h	OCS Comparator x Threshold Registers (OCS_CMPx_THR) x=2
0088h	OCS Comparator Debounce Register (OCS_CMP_DEBOUNCE)
0089h – 009Ah	Reserved for future expansion
009Bh	IRQ_N PU/PD Control Register (IRQ_PUPD)
009Ch	Voltage Regulator Control Register (VREG_CTL)
009Dh	I2C Trim Register (I2C_TRIM)
009E – 009Fh	Reserved for future expansion

TABLE 8-1: SYSTEM CONTROL REGISTER MAP (CONTINUED)

Address	Register Name (Symbol)
00A0h	General Purpose Timer Load Register (GP_TIMER_LOAD)
00A2h	General Purpose Timer Interrupt Source Register (GP_TIMER_INT_SRC)
00A3h	General Purpose Timer Control Register (GP_TIMER_CTL)
00A4h	General Purpose Timer Count Register (GP_TIMER_COUNT)
00A6h – 03FFh	Reserved for future expansion

Note: RESERVED address space must not be written under any circumstances. Failure to heed this warning may result in untoward operation and unexpected results.

8.5.1 DEVICE ID REGISTER (ID_REV)

Address: 0000h Size: 32 bits

Bits	Description	Type	Default
31:16	Device ID (ID)	RO	0360h
15:0	Device Revision (REV)	RO	Note 8-1

Note 8-1 The default value of this field is dependent on the silicon revision of the device.

ID_REV[7:0] = 00h

ID_REV[15:8] = 01h

ID_REV[23:16] = 02h

ID_REV[31:24] = 03h

8.5.2 USB VENDOR ID REGISTER (VID)

Address: 0004h Size: 16 bits

Bits	Description	Type	Default
15:0	USB Vendor Identification (VID)	R/W	0424h

VID[7:0] = 04h

VID[15:8] = 05h

8.5.3 USB PRODUCT ID REGISTER (PID)

Address: 0006h Size: 16 bits

Bits	Description	Type	Default
15:0	USB Product Identification (PID)	R/W	0360h

PID[7:0] = 06h

PID[15:8] = 07h

UPD360

8.5.4 USB PD REVISION REGISTER (PD_REV)

Address: 0008h Size: 16 bits

Bits	Description	Type	Default
15:0	USB Power Delivery Specification Revision (PD_REV)	R/W	2013h

PD_REV[7:0] = 08h

PD_REV[15:8] = 09h

8.5.5 USB TYPE-C™ REVISION REGISTER (C_REV)

Address: 000Ah Size: 16 bits

Bits	Description	Type	Default
15:0	USB Type-C™ Specification Revision (C_REV)	R/W	0011h

C_REV[7:0] = 0Ah

C_REV[15:8] = 0Bh

8.5.6 SPI TEST REGISTER (SPI_TEST) (UPD360-C ONLY)

Address: 000Eh Size: 8 bits

Bits	Description	Type	Default
7:0	SPI Test (SPI_TEST) This register is used by the host to determine when the chip has come out of powerdown when waking it via the SPI interface.	RO	FDh

8.5.7 INTERRUPT STATUS REGISTER (INT_STS)

Address: 0010h Size: 16 bits

Bits	Description	Type	Default
15	RESERVED	RO	0h
14	GP_TIMER_INT Interrupt generated when the general purpose timer underflows. This interrupt reflect that value of the GP_UFLOW bit of the General Purpose Timer Interrupt Source Register (GP_TIMER_INT_SRC) .	RO	0b
13	RESERVED	RO	0b
12	RDY_INT Interrupt generated when the device is configured and ready for access by host CPU after a system level reset event. This interrupt reflect that value of the DEV_READY bit of the Hardware Control Register (HW_CTL) .	RO	0b
11	RESERVED	RO	-
10	PWR_INT Interrupt generated power event. This interrupt is cleared via the Power Interrupt Status Register (PWR_INT_STS) .	RO	0b
9	VBUS_INT Indicates that a change occurred in the state of VBUS Change Status Register (VBUS_CHG_STS) .	RO	0b
8	HPD_INT Interrupt generated by the HPD detection logic. This interrupt is cleared via the HPD Interrupt Status Register (HPD_INT_STS) .	RO	0b
7	PSW_INT Interrupt generated by the power switch. This interrupt is cleared via the Power Switch Interrupt Status Register (PWR_INT_STS) .	RO	0b
6	WDT_INT Interrupt generated by watchdog timer expiration. This interrupt is cleared via WDT_STS bit in the Watchdog Control Register (WDT_CTL) . Note: When a Watchdog interrupt is pending, all write operations are blocked until the WDT_STS bit in the Watchdog Control Register (WDT_CTL) is cleared.	RO	0b
5	PPC_INT Interrupt generated by PPC. This interrupt is cleared via the PPC Interrupt Status Register 1 (PPC_INT_STS1) .	RO	0b

UPD360

Bits	Description	Type	Default
4	MAC_INT Interrupt generated by the PD MAC. This interrupt is cleared via the corresponding PD MAC interrupt register, as detailed in Section 11.4.3, "PD MAC Interrupt Status and Enable Registers," on page 153.	RO	0b
3	OCS_CMP_INT Interrupt generated from the detection of an over-current condition. This interrupt is cleared via OCS Comparator Change Status Register (OCS_CMP_CHG_STS) .	RO	0b
2	PIO_OVERRIDE_INT Interrupt generated from a PIO override. This interrupt is cleared via the PIO Override Interrupt Status Register (PIO_OVR_INT_STS) .	RO	0b
1	PIO_INT Interrupt generated from configured PIO status change. This interrupt is cleared via the PIO Interrupt Status Register (PIO_INT_STS) .	RO	0b
0	CC_INT Interrupt generated by Cable Plug Orientation and Detection module. This interrupt is cleared via the CC Interrupt Status Register (CC_INT_STS) .	RO	0b

INT_STS[7:0] = 10h

INT_STS[15:8] = 11h

8.5.8 INTERRUPT ENABLE REGISTER (INT_EN)

Address: 0014h Size: 16 bits

Bits	Description	Type	Default
15	RESERVED	RO	0h
14	Interrupt Enable 13 When "0", prevents generation of the respective interrupt.	R/W	0b
13	RESERVED	RO	-
12	Interrupt Enable 12 When "0", prevents generation of the respective interrupt.	R/W	1b
11	RESERVED	RO	-
10	Interrupt Enable 10 When "0", prevents generation of the respective interrupt.	R/W	0b
9	Interrupt Enable 9 When "0", prevents generation of the respective interrupt.	R/W	0b
8	Interrupt Enable 8 When "0", prevents generation of the respective interrupt.	R/W	0b
7	Interrupt Enable 7 When "0", prevents generation of the respective interrupt.	R/W	0b
6	Interrupt Enable 6 When "0", prevents generation of the respective interrupt.	R/W	1b
5	Interrupt Enable 5 When "0", prevents generation of the respective interrupt.	R/W	0b
4	Interrupt Enable 4 When "0", prevents generation of the respective interrupt.	R/W	0b
3	Interrupt Enable 3 When "0", prevents generation of the respective interrupt.	R/W	0b
2	Interrupt Enable 2 When "0", prevents generation of the respective interrupt.	R/W	0b
1	Interrupt Enable 1 When "0", prevents generation of the respective interrupt.	R/W	0b
0	Interrupt Enable 0 When "0", prevents generation of the respective interrupt.	R/W	0b

INT_EN[7:0] = 12h

INT_EN[15:8] = 13h

UPD360

8.5.9 HARDWARE CONTROL REGISTER (HW_CTL)

Address: 0018h Size: 16 bits

Bits	Description	Type	Default
15:6	RESERVED	RO	-
5	I2C_GEN_CALL_EN 0: I ² C General Call address not supported. 1: I ² C General Call address supported.	R/W	0b
4	RESERVED	RO	-
3	I2C FMPLUS When set, this bit configures the I ² C interface to operate in fast-mode plus mode. Note: UPD360-A/UPD360-B only.	R/W	1b
2	DEV_READY When set, this bit indicates that the device has been fully configured after a system level reset event.	R/SC	0b
1	PIO_UPD_REQ When this bit is set, the PIO registers are updated from the respective simultaneous update registers. After the operation completes, this bit is automatically cleared. The request will not be accepted if an override function is pending. After the override condition is cleared by software, the update request will be accepted. The override is cleared via respective bit of PIO Override Enable Register (PIO_OVR_EN) .	R/SC	0b
0	SRESET Software reset. When set this bit initiates a chip level reset.	SC	0b

8.5.10 I²C SLAVE ADDRESS REGISTER (I2C_ADDR) (UPD360-A/UPD360-B ONLY)

Address: 001Ah Size: 8 bits

Bits	Description	Type	Default
7	RESERVED	RO	-
6:0	I²C Slave Address Defines the slave address used by the I ² C controller.	R/W	Note 8-2

Note 8-2 The default value for this register is defined by the CFG_SEL1 pin.

8.5.11 PPC STATUS REGISTER (PPC_BUSY)

Address: 001Bh Size: 8 bits

BITS	DESCRIPTION	TYPE	DEFAULT
7:1	RESERVED	RO	-
0	<p>PPC_BUSY</p> <p>This bit is used to indicate when the PPC is processing a register write request. 0b: PPC is not busy processing a register write access. A new register write may be initiated.</p> <p>1b: PPC is processing a register write access. A new register write may not be initiated until this bit clears.</p>	RO	0b

8.5.12 PIO STATUS REGISTER (PIO_STS)

Address: 0020h Size: 16 bits

Bits	Description	Type	Default
15	<p>PIO15</p> <p>0b: PIO is low 1b: PIO is high</p>	RO	0b
14	<p>PIO14</p> <p>0b: PIO is low 1b: PIO is high</p>	RO	0b
13	<p>PIO13</p> <p>0b: PIO is low 1b: PIO is high</p>	RO	0b
12	<p>PIO12</p> <p>0b: PIO is low 1b: PIO is high</p>	RO	0b
11	<p>PIO11</p> <p>0b: PIO is low 1b: PIO is high</p>	RO	0b
10	<p>PIO10</p> <p>0b: PIO is low 1b: PIO is high</p>	RO	0b
9	<p>PIO9</p> <p>0b: PIO is low 1b: PIO is high</p>	RO	0b
8	<p>PIO8</p> <p>0b: PIO is low 1b: PIO is high</p>	RO	0b
7	<p>PIO7</p> <p>0b: PIO is low 1b: PIO is high</p>	RO	0b

UPD360

Bits	Description	Type	Default
6	PIO6 0b: PIO is low 1b: PIO is high	RO	0b
5	PIO5 0b: PIO is low 1b: PIO is high	RO	0b
4	PIO4 0b: PIO is low 1b: PIO is high	RO	0b
3	PIO3 0b: PIO is low 1b: PIO is high	RO	0b
2	PIO2 0b: PIO is low 1b: PIO is high	RO	0b
1	PIO1 0b: PIO is low 1b: PIO is high	RO	0b
0	PIO0 0b: PIO is low 1b: PIO is high	RO	0b

PIO_STS[0] = 20h

PIO_STS[1] = 21h

Note: The GPO1 and GPO10 general purpose signals can only function as outputs and must be kept in a low state coincident with de-asserting RESET_N.

Note: GPIO0 is not available in the UPD360-C.

Note: In Standalone DFP/UFP modes (*UPD360-A/UPD360-B only*), GPIOs 9-15 have alternate dedicated functions, as defined in [Section 3.1.1.1, "UPD360-A/UPD360-B GPIO\[9:15\] Functions in Standalone DFP/UFP Modes," on page 11](#)

8.5.13 PIO INTERRUPT STATUS REGISTER (PIO_INT_STS)

Address: 0022h Size: 16 bits

Bits	Description	Type	Default
15:0	PIO_INT[15:0] When set, a level change has occurred on PIO[15:0]. Interrupts are cleared by writing a '1' to the bit.	R/WC	0000h

Note: Writing a "1" (one) to a bit clears the bit and enables the detection of the next level transition. If not disabled by the corresponding bit in the PIO_EN register, "1" in any bit in this register will force assertion of PIO_INT interrupt.

8.5.14 PIO INTERRUPT ENABLE REGISTER (PIO_INT_EN)

Address: 0024h Size: 16 bits

Bits	Description	Type	Default
15:0	PIO_EN[15:0] When set, an interrupt can be generated on a state change from the corresponding PIO line.	R/W	0h

8.5.15 CONFIGURE PIOX REGISTERS (CFG_PIOX)

Address: x=0: 0030h
 x=1: 0031h
 x=2: 0032h
 x=3: 0033h
 x=4: 0034h
 x=5: 0035h
 x=6: 0036h
 x=7: 0037h
 x=8: 0038h
 x=9: 0039h
 x=10: 003Ah
 x=11: 003Bh
 x=12: 003Ch
 x=13: 003Dh
 x=14: 003Eh
 x=15: 003Fh

Bits	Description	Type	Default
7	PullUpEnable 0b: No pull-up 1b: Pull-up enabled.	R/W	0b
6	PullDownEnable 0b: No pull-down 1b: Pull-down enabled.	R/W	0b
5	FallingAlert 0b: No alert on falling edge 1b: Assert PIO_INT on falling edge	R/W	0b
4	RisingAlert 0b: No alert on rising edge 1b: Assert PIO_INT on rising edge	R/W	0b
3	DataOutput 0b: Inactive (low for push-pull or open-drain) 1b: Active (high for push-pull, high-z for open-drain) Note: The input buffer status can be determined from the respective bit in PIO Status Register (PIO_STS) . Note: The associated PIO output bit in the Configure PIO Output Register (CFG_PIO_OUT) will be updated to match the value written to this bit.	R/W	0b

UPD360

Bits	Description	Type	Default
2	Buffer Type When set, the output buffer for the corresponding GPIO signal is configured as a push/pull driver. When cleared, the corresponding GPIO signal is configured as an open-drain driver.	R/W	0b
1	Direction 0b: Input 1b: Output	R/W	0b
0	Enable 0b: GPIO Disabled 1b: GPIO Enabled Note: When a GPIO is disabled, the default function, if any, will be functional. All GPIOs default to being enabled and configured as inputs.	R/W	1b

Note: The GPO1 and GPO10 general purpose signals can only function as outputs and must be kept in a low state coincident with de-asserting RESET_N.

Note: GPIO0 is not available in the UPD360-C.

Note: In Standalone DFP/UFP modes (*UPD360-A/UPD360-B only*), GPIOs 9-15 have alternate dedicated functions, as defined in [Section 3.1.1.1, "UPD360-A/UPD360-B GPIO\[9:15\] Functions in Standalone DFP/UFP Modes,"](#) on page 11

8.5.16 CONFIGURE PIOX UPDATE REGISTERS (CFG_PIOX_UPD)

Address: x=0: 0040h Size: 8 bits
 x=1: 0041h
 x=2: 0042h
 x=3: 0043h
 x=4: 0044h
 x=5: 0045h
 x=6: 0046h
 x=7: 0047h
 x=8: 0048h
 x=9: 0049h
 x=10: 004Ah
 x=11: 004Bh
 x=12: 004Ch
 x=13: 004Dh
 x=14: 004Eh
 x=15: 004Fh

Bits	Description	Type	Default
7	PullUpEnabled	R/W	0b
6	PullDownEnabled	R/W	0b
5	FallingAlert	R/W	0b
4	RisingAlert	R/W	0b
3	OutputValue	R/W	0b
2	BufferType	R/W	0b
1	Direction	R/W	0b
0	Enable	R/W	0b

Note: The GPO1 and GPO10 general purpose signals can only function as outputs and must be kept in a low state coincident with de-asserting RESET_N.

Note: GPIO0 is not available in the UPD360-C.

Note: In Standalone DFP/UFP modes (*UPD360-A/UPD360-B only*), GPIOs 9-15 have alternate dedicated functions, as defined in [Section 3.1.1.1, "UPD360-A/UPD360-B GPIO\[9:15\] Functions in Standalone DFP/UFP Modes,"](#) on page 11

UPD360

8.5.17 PIO OVERRIDE X SOURCE SELECT REGISTERS (PIO_OVRX_SRC_SEL)

Address: x=0: 0050h Size: 8 bits
 x=1: 0051h
 x=2: 0052h
 x=3: 0053h

Bits	Description	Type	Default
7:5	VBUS Threshold Select This field selects which VBUS threshold shall be matched when selecting VBUS_DET for override. 000b: VSAFE0V_THR_MATCH 001b: VBUS0_THR_MATCH 010b: VBUS1_THR_MATCH 011b: VBUS2_THR_MATCH 1xxb: VBUS3_THR_MATCH	R/W	0h
4:0	Override Select This field selects the source for the respective PIO override. 0h: PIO0 1h: PIO1 2h: PIO2/OCS_COMP2 3h: PIO3 4h: PIO4 5h: PIO5 6h: PIO6 7h: PIO7 8h: PIO8 9h: PIO9 Ah: PIO10 Bh: PIO11 Ch: PIO12 Dh: PIO13 Eh: PIO14 Fh: PIO15 10h: OCS_COMP1 11h: VBUS_DET 12h-1Fh: Reserved	R/W	0h

8.5.18 PIO OVERRIDE MONITOR VALUE REGISTER (PIO_OVR_MON_VAL)

Address: 0054h Size: 8 bits

Bits	Description	Type	Default
7:4	RESERVED	RO	-
3	PIO_MON_VAL3 Override function 3 monitors for this value on the selected PIO.	R/W	0b
2	PIO_MON_VAL2 Override function 2 monitors for this value on the selected PIO.	R/W	0b
1	PIO_MON_VAL1 Override function 1 monitors for this value on the selected PIO.	R/W	0b
0	PIO_MON_VAL0 Override function 0 monitors for this value on the selected PIO.	R/W	0b

Note: When the PIO is mapped to an OCS comparator or VBUS comparator, the monitored case is rising above/falling below the associated threshold. Setting the override monitor value indicates that the source exceeding the threshold is monitored. If the value is cleared then being below the threshold is monitored.

8.5.19 PIO OVERRIDE ENABLE REGISTER (PIO_OVR_EN)

Address: 0055h Size: 8 bits

Bits	Description	Type	Default
7:4	RESERVED	RO	-
3	PIO_OVR_EN3 When set PIO Override 3 is enabled.	R/W	0b
2	PIO_OVR_EN2 When set PIO Override 2 is enabled.	R/W	0b
1	PIO_OVR_EN1 When set PIO Override 1 is enabled.	R/W	0b
0	PIO_OVR_EN0 When set PIO Override 0 is enabled.	R/W	0b

UPD360

8.5.20 PIO OVERRIDE STATUS REGISTER (PIO_OVR_STS)

Address: 0056h Size: 8 bits

Bits	Description	Type	Default
7:4	RESERVED	RO	-
3	PIO_OVR_STS3 Override function is active on the selected PIO. Set on a match to PIO_MON_VAL3 and clears on override feature disable PIO_OVR_EN3 =0.	RO	0b
2	PIO_OVR_STS2 Override function is active on the selected PIO. Set on a match to PIO_MON_VAL2 and clears on override feature disable PIO_OVR_EN2 =0.	RO	0b
1	PIO_OVR_STS1 Override function is active on the selected PIO. Set on a match to PIO_MON_VAL1 and clears on override feature disable PIO_OVR_EN1 =0.	RO	0b
0	PIO_OVR_STS0 Override function is active on the selected PIO. Set on a match to PIO_MON_VAL0 and clears on override feature disable PIO_OVR_EN0 =0.	RO	0b

8.5.21 PIO OVERRIDE INTERRUPT STATUS REGISTER (PIO_OVR_INT_STS)

Address: 0057h Size: 8 bits

Bits	Description	Type	Default
7:4	RESERVED	RO	-
3	PIO_OVR_INTR3 This interrupt is set when override function 3 detects the programmed monitored value on the selected PIO. The interrupt persists until cleared.	R/WC	0b
2	PIO_OVR_INTR2 This interrupt is set when override function 2 detects the programmed monitored value on the selected PIO. The interrupt persists until cleared.	R/WC	0b
1	PIO_OVR_INTR1 This interrupt is set when override function 1 detects the programmed monitored value on the selected PIO. The interrupt persists until cleared.	R/WC	0b
0	PIO_OVR_INTR0 This interrupt is set when override function 0 detects the programmed monitored value on the selected PIO. The interrupt persists until cleared.	R/WC	0b

8.5.22 PIO OVERRIDE INTERRUPT ENABLE REGISTER (PIO_OVR_INT_EN)

Address: 0058h Size: 8 bits

Bits	Description	Type	Default
7:4	RESERVED	RO	0h
3	PIO_OVR_INTR3 When '1', enables the generation of this interrupt.	R/W	0b
2	PIO_OVR_INTR2 When '1', enables the generation of this interrupt.	R/W	0b
1	PIO_OVR_INTR1 When '1', enables the generation of this interrupt.	R/W	0b
0	PIO_OVR_INTR0 When '1', enables the generation of this interrupt.	R/W	0b

UPD360

8.5.23 CONFIGURE PIO OUTPUT REGISTER (CFG_PIO_OUT)

Address: 0059h Size: 16 bits

This register enables multiple PIO output values to be updated in a single CSR write.

Bits	Description	Type	Default
15:0	CFG_PIO_OUT When this register is written, the output values for the respective PIOs are updated. Specifically, the DataOutput in the respective CFG_PIOx registers are updated. This register is not updated until the byte located at 005Ah is written by software. This is to prevent placing externally driven components in an invalid state while updating.	R/W	0000h

8.5.24 CONFIGURE PIO OUTPUT UPDATE REGISTER (CFG_PIO_OUT_UPD)

Address: 005Bh Size: 16 bits

Bits	Description	Type	Default
15:0	CFG_PIO_OUTx_UPD	R/W	0000h

8.5.25 PIO OVERRIDE X OUTPUT ENABLE REGISTERS (PIO_OVRX_OUT_EN)

Address: x=0: 0060h
x=1: 0062h
x=2: 0064h
x=3: 0066h Size: 16 bits

Bits	Description	Type	Default
15:0	PIO_OVR_OUT_EN_X Each of the overrides has an instance of this CSR to indicate which PIO outputs are controlled by it. When asserted associated PIO output's state is controlled by the respective override function. Note: The same PIO output can be enabled by multiple overrides.	R/W	0h

8.5.26 PIO OVERRIDE OUTPUT REGISTER (PIO_OVR_OUT)

Address: 0068h Size: 16 bits

Bits	Description	Type	Default
15:0	PIO Override Output This field defines the PIO output value to be used when the respective PIO is enabled for override and the associated override is triggered.	R/W	0h

8.5.27 PIO OVERRIDE DIRECTION REGISTER (PIO_OVR_DIR)

Address: 006Ah Size: 16 bits

Bits	Description	Type	Default
15:0	PIO Override Direction This field defines the PIO direction value to be used when the respective PIO is enabled for override and the associated override is triggered.	R/W	0h

8.5.28 PIO DEBOUNCE COUNT TEN MILLISECOND REGISTER (PIO_DEBOUNCE_10MS_COUNT)

Address: 006Ch Size: 8 bits

Bits	Description	Type	Default
7:0	PIO_DEBOUNCE_10MS_COUNT This register holds the 10 ms debounce counter. Any transition within the debounce period is suppressed. Each count corresponds to 10 ms, with the default value being 100 ms. This register is used when the debounce granularity is 10 ms. Note: The actual count may be either count or count-1.	R/W	0Ah

UPD360

8.5.29 PIO DEBOUNCE COUNT ONE MILLISECOND REGISTER (PIO_DEBOUNCE_1MS_COUNT)

Address: 006Dh Size: 8 bits

Bits	Description	Type	Default
7:0	<p>PIO_DEBOUNCE_1MS_COUNT This register holds the 1 ms debounce counter.</p> <p>Any transition within the debounce period is suppressed. Each count corresponds to 1 ms, with the default value being 10 ms.</p> <p>This register is used when the debounce granularity is 1 ms.</p> <p>Note: The actual count may be either count or count-1.</p>	R/W	0Ah

8.5.30 PIO DEBOUNCE COUNT ONE MICROSECOND REGISTER (PIO_DEBOUNCE_1US_COUNT)

Address: 006Eh Size: 8 bits

Bits	Description	Type	Default
7:0	<p>PIO_DEBOUNCE_1US_COUNT This register holds the 1 us debounce counter.</p> <p>Any transition within the debounce period is suppressed. Each count corresponds to 1 us, with the default value being 10 us.</p> <p>This register is used when the debounce granularity is 1 us.</p> <p>Note: The actual count may be either count or count-1.</p>	R/W	0Ah

8.5.31 PIO DEBOUNCE STATUS REGISTER (PIO_DEBOUNCE_STS)

Address: [006Fh](#) Size: 8 bits

Bits	Description	Type	Default
7:1	RESERVED	RO	0h
0	PIO_DB_ACT PIO Debounce Active This bit is used to indicate that a PIO debounce is in process. 1b: PIO debounce pending 0b: PIO not pending	RO	0b

8.5.32 PIO DEBOUNCE ENABLE REGISTER (PIO_DEBOUNCE_EN)

Address: [0070h](#) Size: 32 bits

This register enables a PIO for debouncing and selects the debouncer to be used as defined below:

- 00b: Debounce disabled
- 01b: Debounce Enabled ([PIO Debounce Count One Microsecond Register \(PIO_DEBOUNCE_1US_COUNT\)](#))
- 10b: Debounce Enabled ([PIO Debounce Count One Millisecond Register \(PIO_DEBOUNCE_1MS_COUNT\)](#))
- 11b: Debounce Enabled ([PIO Debounce Count Ten Millisecond Register \(PIO_DEBOUNCE_10MS_COUNT\)](#))

Bits	Description	Type	Default
31:30	PIO_DB_EN15	R/W	00b
29:28	PIO_DB_EN14	R/W	00b
27:26	PIO_DB_EN13	R/W	00b
25:24	PIO_DB_EN12	R/W	00b
23:22	PIO_DB_EN11	R/W	00b
21:20	PIO_DB_EN10	R/W	00b
19:18	PIO_DB_EN9	R/W	00b
17:16	PIO_DB_EN8	R/W	00b
15:14	PIO_DB_EN7	R/W	00b
13:12	PIO_DB_EN6	R/W	00b
11:10	PIO_DB_EN5	R/W	00b
9:8	PIO_DB_EN4	R/W	00b
7:6	PIO_DB_EN3	R/W	00b

UPD360

Bits	Description	Type	Default
5:4	PIO_DB_EN2	R/W	00b
3:2	PIO_DB_EN1	R/W	00b
1:0	PIO_DB_EN0	R/W	00b

Note: **GPIO0** is not available in the UPD360-C.

8.5.33 OCS COMPARATOR CONTROL REGISTER (OCS_CMP_CTL)

Address: [0080h](#) Size: 8 bits

Bits	Description	Type	Default
7	OCS_DB_ACTIVE When this bit reads back 0b, the debouncer is disabled. The OCS debouncer is enabled when it reads back 1b.	RO	0b
6:2	RESERVED	RO	0h
1:0	OCS Comparator Control 00b: OCS Comparator and DAC are powered down 01b: OCS Comparator samples OCS_COMP1 10b: OCS Comparator samples OCS_COMP2 11b: OCS Comparator samples OCS_COMP1 and OCS_COMP2 When set to 01b or 10b, a sample is taken every 100 us. When set to 11b, each OCS_COMPx pin is effectively sampled every 200 us.	R/W	00b

8.5.34 OCS COMPARATOR MATCH REGISTER (OCS_CMP_MATCH)

Address: [0081h](#) Size: 8 bits

This bit is always cleared when [OCS Comparator Control](#) is not enabled for the respective OCS_COMP pin.

Bits	Description	Type	Default
7:2	RESERVED	RO	0h
1	OCS Comparator Match 2 When set, this bit indicates that a match has occurred and an OCS condition has been detected on OCS_COMP2 pin.	RO	0b
0	OCS Comparator Match 1 When set, this bit indicates that a match has occurred and an OCS condition has been detected on OCS_COMP1 pin.	RO	0b

8.5.35 OCS COMPARATOR CHANGE STATUS REGISTER (OCS_CMP_CHG_STS)

Address: 0082h Size: 8 bits

Bits	Description	Type	Default
7:6	<p>OCSx Match Valid (OCSx_MATCH_VLD) Asserts after the OCS debouncer is first enabled, via OCS Comparator Control, and the first match becomes valid in OCS Comparator Match Register (OCS_CMP_MATCH).</p> <p>Bit 7 = OCS2_MATCH_VLD Bit 6 = OCS1_MATCH_VLD</p>	R/WC	0b
5:2	RESERVED	RO	0h
1:0	<p>OCSx Change Status (OCSx_CHG_STS) When set, each bit indicates that the respective bit in OCS Comparator Match Register (OCS_CMP_MATCH) has changed.</p> <p>Bit 1 = OCS2_CHG_STS Bit 0 = OCS1_CHG_STS</p> <p>A write of 1b clears the respective status bit.</p>	R/WC	00b

8.5.36 OCS COMPARATOR MATCH ENABLE REGISTER (OCS_CMP_MATCH_EN)

Address: 0083h Size: 8 bits

Bits	Description	Type	Default
7:6	<p>OCSx Match Valid Enable (OCSx_MATCH_VLD_EN) When set, the corresponding bit in OCS Comparator Change Status Register (OCS_CMP_CHG_STS) can cause the assertion of the OCS_CMP_INT interrupt.</p> <p>Bit 7 = OCS2_MATCH_VLD_EN Bit 6 = OCS1_MATCH_VLD_EN</p>	R/W	0b
5:2	RESERVED	RO	0h
1:0	<p>OCSx Comparator Match Enable (OCSx_CMP_MATCH_EN) When set the corresponding bit in OCS Comparator Change Status Register (OCS_CMP_CHG_STS) can cause the assertion of the OCS_CMP_INT interrupt.</p> <p>Bit 1 = OCS2_CMP_MATCH_EN Bit 0 = OCS1_CMP_MATCH_EN</p>	R/W	00b

UPD360

8.5.37 OCS COMPARATOR X THRESHOLD REGISTERS (OCS_CMPX_THR)

Address: x=1: 0084h Size: 16 bits
 x=2: 0086h

Bits	Description	Type	Default
15:10	RESERVED	RO	0h
9:0	OCS Comparator Threshold The lower byte of the threshold must be written before the upper byte. The entire 10-bit threshold is updated when the second write occurs. This has units of $\sim 2.5V/1024$. Note: This register shall not be modified while the OCS debouncer is enabled.	R/W	0h

8.5.38 OCS COMPARATOR DEBOUNCE REGISTER (OCS_CMP_DEBOUNCE)

Address: 0088h Size: 8 bits

Bits	Description	Type	Default
7:0	OCS_CMP_DEBOUNCE Indicates the period of time for which the OCS_COMP1 and OCS_COMP2 inputs are debounced. This field has units of 100 us. Note: This register shall not be modified while the OCS debouncer is enabled.	R/W	0Fh

8.5.39 IRQ_N PU/PD CONTROL REGISTER (IRQ_PUPD)

Address: 009Bh Size: 8 bits

This register controls the PU and PD for the **IRQ_N** pin.

Bits	Description	Type	Default
7	PullUpEnable 0: No pull-up 1: Pull-up enabled.	R/W	0b
6	PullDownEnable 0: No pull-down 1: Pull-down enabled.	R/W	0b
5:0	RESERVED	RO	-

8.5.40 VOLTAGE REGULATOR CONTROL REGISTER (VREG_CTL)

Address: 009Ch Size: 8 bits

Bits	Description	Type	Default
7:1	RESERVED	RO	-
1	VREG_LOW_OVR When set, the 1.8V voltage regulator is placed in low power mode whenever both the Ring Oscillator and 48MHz Relaxation Oscillator are disabled. Note: It is expected for this bit to be set in CPU companion mode. Note: In standalone modes, the respective OTP bit shall be set to enable this feature and to ensure maximum power savings.	R/W	0b
0	VREG Low Power Enable (VREG_LOW_EN) When set, the 1.8V voltage regulator is placed in low power mode. Note: This bit has no meaning when the VREG_LOW_OVR bit is set.	R/W	0b

8.5.41 I²C TRIM REGISTER (I²C_TRIM)

Address: 009Dh Size: 8 bits

BITS	DESCRIPTION	TYPE	DEFAULT
7:0	I2C_TRIM This register specifies the delay added by the I ² C controller in order to meet the tHD_DAT parameter. This register has units of 20.8 ns.	R/W	9h

8.5.42 GENERAL PURPOSE TIMER LOAD REGISTER (GP_TIMER_LOAD)

Address: 00A0h Size: 16 bits

BITS	DESCRIPTION	TYPE	DEFAULT
15:0	GP Timer Load This register defines the value to be loaded into the general purpose timer from which it will count down. The valid range for this register is 0001h - FFFFh. This field has units of 1 ms. Note: Programming 0h into this register is not valid. Note: Software shall not change the contents of this register while the RESET bit is set and shall wait until this bit is cleared.	R/W	FFFFh

UPD360

8.5.43 GENERAL PURPOSE TIMER INTERRUPT SOURCE REGISTER (GP_TIMER_INT_SRC)

Address: 00A2h Size: 8 bits

BITS	DESCRIPTION	TYPE	DEFAULT
7:1	RESERVED	RO	-
0	GP_UFLOW This bit will be set when the general purpose timer underflows. The GP_TIMER_INT interrupt in Interrupt Status Register (INT_STS) persists until this bit is cleared. When DIS_ON_UFLOW bit of the General Purpose Timer Control Register (GP_TIMER_CTL) is set, the assertion of this bit is delayed until the timer is fully disabled (100s us).	R/WC	0b

8.5.44 GENERAL PURPOSE TIMER CONTROL REGISTER (GP_TIMER_CTL)

Address: 00A3h Size: 8 bits

BITS	DESCRIPTION	TYPE	DEFAULT
7	STATUS This bit indicates the operational state of the GP timer. 0: Timer is disabled and not counting 1: Timer is enabled and counting When this bit is cleared the timer has halted operation.	RO	0b
6:3	RESERVED	RO	-
2	DIS_ON_UFLOW When this bit is set, the GP timer is automatically disabled upon detection of the underflow condition. Additionally, the ENABLE bit is cleared upon underflow detection and the assertion of GP_UFLOW will be delayed until the GP Timer has halted operation and the STATUS bit is cleared.	R/W	0b
1	RESET Timer Reset. When set this bit stops the timer and resets the internal counter to the value in the General Purpose Timer Load Register (GP_TIMER_LOAD) . 0: Timer is not in reset 1: Timer is in reset Note: This bit does not clear until propagation of the reset completes. This may take 100s us.	R/SC	0b

BITS	DESCRIPTION	TYPE	DEFAULT
0	<p>ENABLE Timer Enable. This bit is used to start and stop the General Purpose Timer Load Register (GP_TIMER_LOAD). This bit does not reset the timer count.</p> <p>This is automatically cleared when the DIS_ON_UFLOW bit is set.</p> <p>0: Timer is disabled 1: Timer is enabled</p>	R/W	0b

8.5.45 GENERAL PURPOSE TIMER COUNT REGISTER (GP_TIMER_COUNT)

Address: [00A4h](#) Size: 16 bits

BITS	DESCRIPTION	TYPE	DEFAULT
15:0	<p>GP Timer Counter This register returns the current value of the general purpose timer.</p> <p>The GP timer must be disabled before reading this register by clearing the ENABLE bit.</p>	RO	0h

UPD360

9.0 CABLE PLUG ORIENTATION AND DETECTION

This section details the functions that control and monitor the CC pins, monitor the **VBUS_DET** pin, control the VCONN FETs, and sample the **CFG_SEL0** and **CFG_SEL1** pins.

9.1 CC Comparator

The device integrates a comparator and DAC circuit to implement Type-C attach and detach functions. It supports up to eight programmable thresholds for attach detection between UFP and DFP. When operating as a UFP, the device supports detecting changes in the DFP's advertised thresholds to determine current sourcing capability. The default nominal values for the thresholds detected by the CC comparators are:

- 0.20 V
- 0.40 V
- 0.66 V
- 0.80 V
- 1.23 V
- 1.60 V
- 2.60 V
- 3.0 V Proprietary Mode

TABLE 9-1: CABLE DETECT SUMMARY

Parameter	Threshold CSR	Description	Min	Typ	Max
DFP_ACT_DEF	CC_THR0	Detecting an active cable when configured as DFP and advertising default USB current.		0.20 V	
UFP_DFP_DEF	CC_THR0	Detecting DFP attach when configured as UFP and DFP is advertising default USB current.		0.20 V	
DFP_ACT_1A5	CC_THR1	Detecting an active cable when configured as DFP and advertising 1.5A.		0.40 V	
UFP_DFP_1A5	CC_THR2	Detecting DFP attach when configured as UFP and DFP is advertising 1.5A.		0.66 V	
DFP_ACT_3A0	CC_THR3	Detecting an active cable when configured as DFP and advertising 3.0A.		0.80 V	
UFP_DFP_3A0	CC_THR4	Detecting DFP attach when configured as UFP and DFP is advertising 3.0A.		1.23 V	
DFP_UFP_DEF	CC_THR5	Detecting UFP attach when configured as DFP advertising default USB current.		1.60 V	
DFP_UFP_1A5	CC_THR5	Detecting UFP attach when configured as DFP advertising 1.5A.		1.60 V	
DFP_UFP_3A0	CC_THR6	Detecting UFP attach when configured as DFP advertising 3.0A.		2.60 V	

The following tables summarize the expected thresholds to be matched in the [CCx Match Registers \(CCx_MATCH\)](#) for various configurations. Refer to the [CCx Debounce Clear Enable Registers \(CCx_DBCLR_EN\)](#) for the debouncer mask used in these configurations.

TABLE 9-2: DFP CC MATCH SUMMARY

CC State	CC THR0	CC THR1	CC THR2	CC THR3	CC THR4	CC THR5	CC THR6	CC THR7
Advertise Default USB Current and connected to powered cable	0	0	0	0	0	0	0	0
Advertise 1.5 A and connected to powered cable	0	0	0	0	0	0	0	0
Advertise 3.0 A and connected to powered cable	0	0	0	0	0	0	0	0
Advertise Default USB Current and connected to UFP	1	0	0	0	0	0	0	0
Advertise 1.5 A and connected to UFP	0	1	0	0	0	0	0	0
Advertise 3.0 A and connected to UFP	0	0	0	1	0	0	0	0
Advertise Default USB Current and no connect (vOpen)	1	0	0	0	0	1	0	0
Advertise 1.5 A and no connect (vOpen)	0	1	0	0	0	1	0	0
Advertise 3.0 A and no connect (vOpen)	0	0	0	1	0	0	1	0
Proprietary Mode and no connect (vOpen)	0	0	0	0	0	0	0	1

TABLE 9-3: UFP CC MATCH SUMMARY

CC State	CC THR0	CC_THR1	CC THR2	CC THR3	CC THR4	CC THR5	CC THR6	CC THR7
Powered cable detected.	0	0	0	0	0	0	0	0
No Connect (SNK.Open)	0	0	0	0	0	0	0	0
DFP Connected and advertising default USB current	1	0	0	0	0	0	0	0
DFP Connected and advertising 1.5 A	1	0	1	0	0	0	0	0
DFP Connected and advertising 3.0 A	1	0	1	0	1	0	0	0
DFP Connected and advertising proprietary current	1	0	1	0	1	0	0	1

The following examples illustrate the rationale behind the expected matches in the previous tables.

DFP: Advertise 1.5 A and connected to powered cable. UFP not attached

In this scenario the DFP is advertising 1.5 A and connected to a powered cable. The UFP is not attached. The vRd value measured will be less than 0.35V per specification.

In this configuration the following thresholds are enabled for matching:

- CC_THR1 (DFP_ACT_1A5)

UPD360

- CC_THR5 (DFP_UFP_1A5)

The value programmed into [CCx Debounce Clear Enable Registers \(CCx_DBCLR_EN\)](#) and [CCx Match Enable Registers \(CCx_MATCH_EN\)](#) would therefore be 0x22.

Since the vRd is less than 0.35V no threshold matches would be detected on [CCx Match Registers \(CCx_MATCH\)](#) or [CCx Change Status Registers \(CCx_CHG_STS\)](#).

DFP: Advertise 3.0 A and connected to UFP

In this scenario the DFP is advertising 3.0 A and connected to a UFP. The vRd value measured will be > 0.85V and < 2.45V.

In this configuration the following thresholds are enabled for matching:

- CC_THR3 (DFP_ACT_3A0)
- CC_THR6 (DFP_UFP_3A0)

The value programmed into [CCx Debounce Clear Enable Registers \(CCx_DBCLR_EN\)](#) and [CCx Match Enable Registers \(CCx_MATCH_EN\)](#) would therefore be 0x44.

In this case only CC_THR3 would be matched. Bit 3 would be set in both [CCx Match Registers \(CCx_MATCH\)](#) or [CCx Change Status Registers \(CCx_CHG_STS\)](#) after the debounce interval.

UFP: Connected to DFP advertising 3.0 A

In this case the UFP is connected to a DFP advertising 3.0A. The vRd value measured will be > 1.3V and < 2.04 V.

In this configuration the following thresholds are enabled for matching:

- UFP_DFP_DEF (CC_THR0)
- UFP_DFP_1A5 (CC_THR2)
- UFP_DFP_3A0 (CC_THR4)

The value programmed into [CCx Debounce Clear Enable Registers \(CCx_DBCLR_EN\)](#) and [CCx Match Enable Registers \(CCx_MATCH_EN\)](#) would therefore be 0x15.

In this case all three thresholds would be matched since the value of vRd must exceed CC_THR4 which is 1.23V. Bits 0, 2 and 4 would be set in both [CCx Match Registers \(CCx_MATCH\)](#) or [CCx Change Status Registers \(CCx_CHG_STS\)](#).

9.2 DFP Operation

The device implements current sources to advertise current charging capabilities on both CC pins when operating as a DFP.

When a UFP connection is established, the current driven across the CC pins creates a voltage across the UFP's Rd pull-down that can be detected by the integrated CC comparator. The voltages monitored are summarized in [Table 9-4](#). When connected to an active cable, an alternative pull-down (Ra) appears on the CC pin.

The DFP may provide the advertised VBUS power via the integrated Port Power Controller (PPC).

The DFP also integrates two 5V FETs for implementing the VCONN function. This is further discussed in [Section 9.7, "VCONN Operation"](#).

TABLE 9-4: SOURCE DETECTION

CC1	CC2	Connection State	CC Comparator State	VBUS	VCONN
Open	Open	Nothing Attached	Monitor both CC pins for attach	Off	Off
Rd	Open	UFP Attached	Monitor CC1 for detach	On	Off
Open	Rd	UFP Attached	Monitor CC2 for detach	On	Off
Ra	Open	Powered Cable, No UFP attached	Monitor CC2 for UFP attach. Monitor CC1 for cable detach.	Off	Off
Open	Ra	Powered Cable, No UFP attached	Monitor CC1 for UFP attach. Monitor CC2 for cable detach.	Off	Off

TABLE 9-4: SOURCE DETECTION (CONTINUED)

CC1	CC2	Connection State	CC Comparator State	VBUS	VCONN
Ra	Rd	Powered Cable, UFP attached	Monitor CC2 for UFP detach. CC1 is not monitored for detach.	On	On
Rd	Ra	Powered Cable, UFP attached	Monitor CC1 for UFP detach. CC2 is not monitored for detach.	On	On
Rd	Rd	Debug accessory mode attached	Monitor both CC pins for detach	Off	Off
Ra	Ra	Audio accessory mode attached.	Monitor both CC pins for detach	Off	Off

9.2.1 RP CURRENT SOURCES

In order to advertise the current charging capabilities of the device via the integrated port power controller or external power circuit, Rp current sources are used. The current source can be selected by software using [CC1 RP Value](#) and [CC2 RP Value](#) in the [CC Control Register \(CC_CTL\)](#). [Table 9-5](#) summarizes the values supported by the current sources in regards to the programmed value.

TABLE 9-5: RP CURRENT SOURCES

DFP Advertisement	Current source (1.7V to 5.5V)	RPx Value
Disabled		00b
Default USB Power	80 uA +/-20%	01b
1.5A @ 5V	180 uA +/-8%	10b
3.0A @ 5V	330 uA +/-8%	11b

The current source coupled with the CC pins for RP advertisement is also used for sampling the [CFG_SEL0](#) and [CFG_SEL1](#) pins. When either of the [CFG_SEL0](#)/[CFG_SEL1](#) pins are sampled, current is steered away from the CC pins and no RP value is advertised. See the [VBUS Comparator Control](#) field in [VBUS Control Register \(VBUS_CTL\)](#) for further details.

UPD360

9.2.2 SOURCE ATTACH DETECTION

When configured as a Source, the following sections describe the steps that are taken to determine if an attach has occurred:

1. Software accesses the device via I²C/SPI which wakes the device up and enables the 48 MHz oscillator.
2. Software programs the [CC Comparator Control](#) to 00b and disables the CC debouncer.
3. Software polls [CC_DB_ACTIVE](#) until it reads back to indicate the CC debouncer is inactive.
4. Software programs the [Match Debounce Register \(MATCH_DEB\)](#) as required for the tPDDebounce period.
5. Software programs the [VBUS Debounce Register \(VBUS_DEB\)](#) as required.
6. Software programs the [CCx Debounce Clear Enable Registers \(CCx_DBCLR_EN\)](#) and [CCx Match Enable Registers \(CCx_MATCH_EN\)](#) as required to match the thresholds of interest.
7. Software programs the [CCx Sample Enable Registers \(CCx_SAMP_EN\)](#) and [VBUS Match Enable Register \(VBUS_MATCH_EN\)](#) to detect [VBUS VSafe0v Match \(VSAFE0V_THR_MATCH\)](#).
8. Software enables the [CC_MATCH_VLD](#), [CC1_MATCH_CHG](#) and [CC2_MATCH_CHG](#) interrupt via [CC Interrupt Enable Register \(CC_INT_EN\)](#).
9. Software enables the [VBUS_MATCH_VLD](#) interrupt via the [Power Interrupt Enable Register \(PWR_INT_EN\)](#).

Note: Assertion of [CC_MATCH_VLD](#) indicates that the initial CC debounce of both CC pins has completed and a valid value is available in the [CCx Match Registers \(CCx_MATCH\)](#). [VBUS_MATCH_VLD](#) indicates a valid value is available in the [VBUS Match Register \(VBUS_MATCH\)](#).

10. Software enables [IRQ_N](#) assertion by enabling the [CC_INT](#), [VBUS_INT](#) and [PWR_INT](#) in the [Interrupt Enable Register \(INT_EN\)](#).
11. Software programs the RP current sources via [CC1 RP Value](#) and [CC2 RP Value](#) in the [CC Control Register \(CC_CTL\)](#).
12. Software programs the [CC Threshold x Registers \(CC_THRx\)](#), if required.
13. Software programs the [CC Comparator Control](#) to sample both CC pins and enables the CC debouncer. The [CC_DB_ACTIVE](#) bit will assert soon after.
14. Software sets the [Clock Control Register \(CLK_CTL\)](#) to disable all clock sources except for the keep alive clock.
15. When a UFP is attached an Rd pull-down, or Ra pull-down from active cable, is connected to one of the CC pins. The CC comparator detects this.
16. Changes in state of the CC pin are recorded in the [CCx Match Registers \(CCx_MATCH\)](#) and [CCx Change Status Registers \(CCx_CHG_STS\)](#) after the programmed debounce period.
17. [CC_MATCH_VLD](#) and [CC1_MATCH_CHG](#) or [CC2_MATCH_CHG](#) interrupt assert and [CC_INT](#) asserts which in turn asserts [IRQ_N](#) pin. Likewise assertion of [VBUS_MATCH_VLD](#) causes [PWR_INT](#) to assert and also in turn asserts [IRQ_N](#).
18. Software implements a further debounce of the CC match for tCCDebounce in order to detect the attachment.
19. Software must verify, after [VBUS_MATCH_VLD](#) assertion, that the [VBUS Match Register \(VBUS_MATCH\)](#) indicates vSafe0v is on VBUS.
20. After an attachment, software programs the device to power VBUS via the integrated PPC, if required. If the power source is external to the device, software configures that source as required.
21. In the event that an active cable is attached, per the [CCx Match Registers \(CCx_MATCH\)](#), VCONN power may be supplied by appropriately setting [VCONN1 Control](#) or [VCONN2 Control](#) in the [VBUS Control Register \(VBUS_CTL\)](#).
22. [CC Communication Select](#) in the [CC Control Register \(CC_CTL\)](#) is set by software to appropriately connect the baseband interface to the CC pin with the Rd pull-down.
23. The DFP may attempt to communicate with attached device utilizing the PD MAC if desired.

9.2.3 SOURCE DETACH DETECTION

When configured as a source, the detachment of the partner UFP is determined by monitoring the appropriate CC pin (with the Rd pull-down) for a voltage exceeding DFP_UFP_DEF, DFP_UFP_1A5 or DFP_UFP_3A0, depending on the charging current advertised by the device.

The following describes the steps that are taken to determine if a detach has occurred when operating in companion mode:

APPLICATION NOTE: Software must not look at the CC detect status while a PD contract is in place, even though the Type-C spec permits doing so, in order to avoid false-disconnects in the Attached.SNK state during heavy PD message traffic.

APPLICATION NOTE: Software should set a 3A advertisement while it's a source and a PD contract is in place in order to avoid false-disconnects in the Attached.SRC state during heavy PD message traffic; a 1.5A advertisement (even though permitted by the Type-C spec) is not sufficient to avoid this issue due to the lower vOPEN threshold. An exception to this recommendation is when "Collision Avoidance" is implemented.

The following steps assume the CC debouncer has previously been used to detect attachment per the prior section.

1. Software accesses the device via I²C/SPI which wakes the device up and enables the 48 MHz oscillator.
2. Software programs the [CCx Debounce Clear Enable Registers \(CCx_DBCLR_EN\)](#) as required to enable per threshold debouncing. Typically this only involves disabling the thresholds not corresponding to vOPEN.
3. Software enables [CC1_MATCH_CHG](#) or [CC2_MATCH_CHG](#) interrupt via [CC Interrupt Enable Register \(CC_INT_EN\)](#).
4. Software enables [IRQ_N](#) via asserting the respective [CC_INT](#) bit in the [Interrupt Enable Register \(INT_EN\)](#).
5. Software programs the [CC Comparator Control](#) to sample appropriate CC pin.
6. The device samples the respective CC pin while operating off of 20 kHz clock.
7. Changes in state of the CC are reflected in the respective [CCx Match Registers \(CCx_MATCH\)](#) and [CCx Change Status Registers \(CCx_CHG_STS\)](#).
8. [CC1_MATCH_CHG](#), or [CC2_MATCH_CHG](#), interrupt asserts, [CC_INT](#) asserts which in turn asserts the [IRQ_N](#) pin.
9. Software implements a further debounce of the CC match for tCCDebounce in order to detect the detachment.
10. If VCONN is being supplied, then the VCONN FET shall be disabled in software by appropriately setting the [VCONN1 Control](#) or [VCONN2 Control](#) in the [VBUS Control Register \(VBUS_CTL\)](#). In this case, software must also discharge VCONN as defined in [Section 9.7.1, "VCONN Discharge Programming Model"](#).
11. Software disables the PPC which causes the internal 5V power switch to open if required. Power may have alternatively been provided by external power source.
12. Internal 100 Ohm VBUS discharge switch is closed if required.
13. Discharge switch remains closed until vSafe0V threshold is crossed.
14. If vSafe0V threshold is not crossed within [VBUS Off Register \(VBUS_OFF\)](#) which asserts [VBUS Discharge Error](#) interrupt and asserts [IRQ_N](#) pin.

Note: Occurrence of [VBUS Discharge Error](#) interrupt indicates a potentially catastrophic system power issue.

15. Internal discharge switch is opened.
16. The part is configured by software to detect a UFP attach. The 48 MHz oscillator is disabled. Only the keep-alive clock remains enabled.

UPD360

9.3 UFP Operation

When operating as a UFP, the device applies an Rd pull-down on both CC lines and waits for a DFP connection from the assertion of VBUS. The CC comparator is used to determine the advertised current charger capabilities supported by the DFP.

9.3.1 SINK ATTACH DETECTION

The following steps illustrate how the device may be programmed to detect an attachment when operating as a Sink. The following discussion does not cover dead-battery cases, which are described in [Section 9.6, "Dead Battery"](#).

1. Software accesses the device via I²C/SPI which wakes the device up and enables the 48 MHz oscillator.
2. Software programs the [CC Comparator Control](#) to 00b and disables the CC debouncer.
3. Software programs the [VBUS Comparator Control](#) to 00b and disables the VBUS debouncer.
4. Software polls [CC_DB_ACTIVE](#) and [VBUS_DB_ACTIVE](#) until they read back 0b to indicate that the CC debouncer and VBUS debouncer are inactive. Software programs the [Match Debounce Register \(MATCH_DEB\)](#) as required for the tPDDebounce interval.
5. Software programs the [CCx Debounce Clear Enable Registers \(CCx_DBCLR_EN\)](#) as required to match the thresholds of interest.
6. Software programs the [CC1 Pull-Down Value](#) and [CC2 Pull-Down Value](#) in the [CC Control Register \(CC_CTL\)](#) to advertise trimmed Rd.
7. Software enables [CC_MATCH_VLD](#), [CC1_MATCH_CHG](#) or [CC2_MATCH_CHG](#) interrupt via the [CC Interrupt Enable Register \(CC_INT_EN\)](#).
8. Assertion of [CC_MATCH_VLD](#) indicates that the initial CC debounce of both CC pins has completed and a valid value is available in the [CCx Match Registers \(CCx_MATCH\)](#).
9. Software programs the [CCx Debounce Clear Enable Registers \(CCx_DBCLR_EN\)](#) as required to enable the respective threshold(s) debouncing.
10. Software enables [VBUS_INT](#) to detect VBUS by configuring the [VBUS Match Register \(VBUS_MATCH\)](#).
11. Software enables [VBUS_MATCH_VLD](#) by configuring the [Power Interrupt Enable Register \(PWR_INT_EN\)](#).
12. Software enables [IRQ_N](#) via configured respective bits, for [CC_INT](#), [PWR_INT](#) and [VBUS_INT](#), in the [Interrupt Enable Register \(INT_EN\)](#).
13. Software programs the [CC Comparator Control](#) to sample both CC pins.
14. Software programs VBUS Comparator/DAC to detect vSafe5V via the [VBUS Comparator Control](#) in the [VBUS Control Register \(VBUS_CTL\)](#) and setting [VBUS_THR0](#) and [VBUS_THR1](#) via the [VBUS Threshold x Registers \(VBUS_THRx\)](#).
15. Software turns off all clock sources with the exception of 20 KHz keep-alive clock via [Clock Control Register \(CLK_CTL\)](#) to save power.
16. Upon connection to a partner DFP VBUS is powered to 5V.
17. After the programmed debounce interval, the respective [CCx Change Status Registers \(CCx_CHG_STS\)](#) is updated and the respective [CC1_MATCH_CHG](#) or [CC2_MATCH_CHG](#) interrupt asserts which in turn asserts [CC_INT](#) which in turn asserts [IRQ_N](#).

Note: Assertion of [CC_MATCH_VLD](#) indicates that the initial CC debounce of both CC pins has completed and a valid value is available in the [CCx Match Registers \(CCx_MATCH\)](#).

18. VBUS is detected by the [VBUS_DET](#) comparator and debounced for the period defined by the [VBUS Debounce Register \(VBUS_DEB\)](#). The [VBUS_INT](#) interrupt asserts which in turn asserts [IRQ_N](#).

Note: Assertion of [VBUS_MATCH_VLD](#) indicates that the initial CC debounce of both CC pins has completed and a valid value is available in the [VBUS Match Register \(VBUS_MATCH\)](#).

19. Software must debounce the CC match for tCCDebounce and VBUS for the [PD Debounce Register \(PD_DEB\)](#) in order to detect the attach condition.
20. After attachment, software configures [CC Communication Select](#) in the [CC Control Register \(CC_CTL\)](#) to appropriately connect the baseband interface to the CC with the Rp pull-up if PD communication is desired.
21. DFP may communicate with the device.

9.3.2 SINK DETACH DETECTION

The DFP detach is detected by the removal of VBUS. The VBUS comparator must always be enabled for the UFP to detect this condition.

1. Software programs the [VBUS Comparator Control](#) to 00b and disables the VBUS debouncer.
2. Software polls [VBUS_DB_ACTIVE](#) until it reads back 0b to indicate that the VBUS debouncer is inactive.
3. Software programs the [VBUS Debounce Register \(VBUS_DEB\)](#) as required.
4. Software programs the [CCx Sample Enable Registers \(CCx_SAMP_EN\)](#) as required to enable the respective threshold(s) debouncing.
5. Software enables [VBUS_INT](#), which is then used to detect VBUS, via the [VBUS Match Enable Register \(VBUS_MATCH_EN\)](#).
6. Software enables [IRQ_N](#) by configuring the respective bit for [VBUS_INT](#) in the [Interrupt Enable Register \(INT_EN\)](#).

Note: [VBUS_THR0](#) and [VBUS_THR1](#) are adjusted via the [VBUS Threshold x Registers \(VBUS_THRx\)](#) to vSafe5V, if required.

7. Software enables the VBUS Comparator/DAC via the [VBUS Comparator Control](#) bit in the [VBUS Control Register \(VBUS_CTL\)](#).
8. Software turns off all clock sources with the exception of 20 KHz keep-alive clock via the [Clock Control Register \(CLK_CTL\)](#) to save power.
9. DFP removes VBUS.
10. After the VBUS debounce period, the [VBUS Match Register \(VBUS_MATCH\)](#) and [VBUS Change Status Register \(VBUS_CHG_STS\)](#) are updated. The [VBUS_INT](#) interrupt asserts which in turn asserts [IRQ_N](#).
11. Software continues to monitor VBUS to determine if it stays below vSafe5V for a duration of tPdDebounce.

9.4 DRP Operation

This section describes a usage of the device for implementing a DRP attach. In this configuration, software utilizes the device to alternate between a Source and Sink advertisement with an interval of tDRP per the USB Type-C Specification.

The steps for initially configuring the device to advertise Source capabilities follows the steps defined in [Section 9.2.2, "Source Attach Detection"](#). Software must also implement the tDRP timer. If a Sink is not detected within this time, software shall change the device's role to Sink and again attempt an attach detection.

1. Software accesses the device via I²C/SPI which wakes the device up and enables the 48 MHz oscillator.
2. Software programs the [CC Comparator Control](#) to 00b and disables the CC debouncer.
3. Software polls [CC_DB_ACTIVE](#) until it reads back to indicate the CC debouncer is inactive.
4. Software programs the [Match Debounce Register \(MATCH_DEB\)](#) as required for the tPDDebounce period.
5. Software programs the [CC Threshold x Registers \(CC_THRx\)](#) if required.
6. Software programs the [CCx Debounce Clear Enable Registers \(CCx_DBCLR_EN\)](#) and [CCx Match Enable Registers \(CCx_MATCH_EN\)](#) as required to match the thresholds of interest.
7. Software enables the [CC_MATCH_VLD](#), [CC1_MATCH_CHG](#) and [CC2_MATCH_CHG](#) interrupts via the [CC Interrupt Enable Register \(CC_INT_EN\)](#).
8. Software enables [IRQ_N](#) assertion by enabling the [CC_INT](#) in the [Interrupt Enable Register \(INT_EN\)](#).
9. Software programs the RP current sources via the [CC1 RP Value](#) and [CC2 RP Value](#) in the [CC Control Register \(CC_CTL\)](#).
10. Software programs the [CC Comparator Control](#) to sample both CC pins and enable the CC debouncer. The [CC_DB_ACTIVE](#) bit will assert soon after.
11. Software sets the [Clock Control Register \(CLK_CTL\)](#) to disable all clock sources except for the keep alive clock.

Note: Assertion of [CC_MATCH_VLD](#) indicates that the initial CC debounce of both CC pins has completed and a valid value is available in the [CCx Match Registers \(CCx_MATCH\)](#).

If after time tDRP an attachment is not detected, software shall configure the device to be a Sink and attempt to detect the presence of a Source. This is similar to the steps defined in [Section 9.3.1, "Sink Attach Detection"](#).

1. Software accesses the device via I²C/SPI which wakes the device up and enables the 48 MHz oscillator
2. Software programs the [CC Comparator Control](#) to 00b and disables the CC debouncer.

UPD360

3. Software polls [CC_DB_ACTIVE](#) until it reads back 0b to indicate that the CC debouncer is inactive.
4. Software programs the [CCx Debounce Clear Enable Registers \(CCx_DBCLR_EN\)](#) as required to match the thresholds of interest.
5. Software programs detection for vSafe5V by setting [VBUS_THR0](#) and [VBUS_THR1](#) in the [VBUS Threshold x Registers \(VBUS_THRx\)](#). The [CCx Sample Enable Registers \(CCx_SAMP_EN\)](#) is programmed debounce these thresholds.
6. Software programs [CC1 Pull-Down Value](#) and [CC2 Pull-Down Value](#) in the [CC Control Register \(CC_CTL\)](#) to advertise trimmed Rd.
7. Software enables the [CC_MATCH_VLD](#), [CC1_MATCH_CHG](#) or [CC2_MATCH_CHG](#) interrupts via the [CC Interrupt Enable Register \(CC_INT_EN\)](#).
8. Software enables [VBUS_MATCH_VLD](#) by configuring the [Power Interrupt Enable Register \(PWR_INT_EN\)](#).
9. Software enables [IRQ_N](#) via the configured respective bits, for [CC_INT](#), [PWR_INT](#) and [VBUS_INT](#), in the [Interrupt Enable Register \(INT_EN\)](#).
10. Software programs the [CC Comparator Control](#) to sample both CC pins.
11. Software turns off all clock sources with the exception of 20 KHz keep-alive clock via the [Clock Control Register \(CLK_CTL\)](#) to save power.

If after time tDRP an attachment is not detected, software shall configure the device to be a Source and attempt to detect the presence of a Sink.

Note: Assertion of [CC_MATCH_VLD](#) indicates that the initial CC debounce of both CC pins has completed and a valid value is available in [CCx Match Registers \(CCx_MATCH\)](#).

Note: Assertion of [VBUS_MATCH_VLD](#) indicates that the initial CC debounce of both CC pins has completed and a valid value is available in [VBUS Match Register \(VBUS_MATCH\)](#).

9.5 Collision Avoidance

An alternative mode of operation is required to enable the CC detection circuit to facilitate software implementation of collision detection which was incorporated into version 3.0 of the USB PD Specification.

In order to avoid message collisions due to asynchronous Messaging (AMS) sent from the Sink, the Source sets [Rp](#) to SinkTxOk (3A@5V) to indicate to the Sink that it is OK to initiate an AMS. When the Source wishes to initiate an AMS it sets [Rp](#) to SinkTxNG (1.5A@5V). When the Sink detects that [Rp](#) is set to SinkTxOk it may initiate an AMS. When the Sink detects that [Rp](#) is set to SinkTxNG it shall not initiate an AMS and shall only send Messages that are part of an AMS the Source has initiated.

When operating as a Sink, a mechanism is required for quickly determining whether the Source is advertising SinkTxNG or SinkTxOK on [Rp](#).

A collision avoidance mechanism exists to enable software to instruct the device to sample only a single threshold on a single CC pin. This results in a cycle through both thresholds taking only 100 us, making it easier for software to meet the timing constraints mandated by SinkTxOk in the specification. Two [CCx Sample Enable Registers \(CCx_SAMP_EN\)](#) are provided to enable software to specify which subsets of the CC thresholds shall be sampled via setting the respective bit. In the case of collision avoidance, only the threshold corresponding to SinkTxOK shall be set on the connected CC pin. This corresponds to [UFP_DFP_3A0 \(CC_THR4\)](#). The [CC Comparator Control](#) field in [CC Control Register \(CC_CTL\)](#) shall be set to the CC pin utilized for PD communication.

In order to prevent false positive detection of SinkTXOK when a PD packet is being transmitted or received, a debounce value in the order to 7 ms would need to be programmed into [Match Debounce Register \(MATCH_DEB\)](#). Such a large value would impair the ability of software, when operating as Sink, to detect SinkTXOK and transmit a PD message within the time defined in the PD specification by SinkTxTime. The [BLK_PD_MSG](#) bit in [CC Hardware Control Register \(CC_HW_CTL\)](#) has been incorporated to handle the above scenario and enable software to program a sub millisecond debounce value. A minimum value of 100 us shall be used for the [Match Debounce Register \(MATCH_DEB\)](#) when using this mode of operation.

The below sequence illustrates the steps to enable Collision Avoidance for a Sink. This sequence is used after a connection and PD contract has been established.

Note: The units of the [Match Debounce Register \(MATCH_DEB\)](#) is determined by [MATCH_DB_UNITS](#) bit in [CC Hardware Control Register \(CC_HW_CTL\)](#). When this bit is clear, the units are 1.6 ms. When this bit is set the units are 100 us.

1. Sink establishes connection with Source and a PD contract is negotiated. Sink wants to transmit AMS to Source.
2. Via the [CC Hardware Control Register \(CC_HW_CTL\)](#), the [MATCH_DB_UNITS](#) is set to 1b to utilize 100 us units for the CC match debouncer. The [BLK_PD_MSG](#) bit is set to filter PD traffic from the debouncer.
3. Software sets the [Match Debounce Register \(MATCH_DEB\)](#) to 400 us by writing four into the register.
4. Software configures [CC_THR4](#) to enable interrupt assertion via the [CCx Match Enable Registers \(CCx_MATCH_EN\)](#).
5. Software configures [CC_THR4](#) for sampling via the [CCx Sample Enable Registers \(CCx_SAMP_EN\)](#).
6. Via the [CC Control Register \(CC_CTL\)](#), the [CC Comparator Control](#) selects the CC pin connected to the Source's R_p .
7. Software waits for indication that Source's R_p is SinkTxOK via a match detected on [CC_THR4](#).
8. Software initiates transmission of PD message to Source.

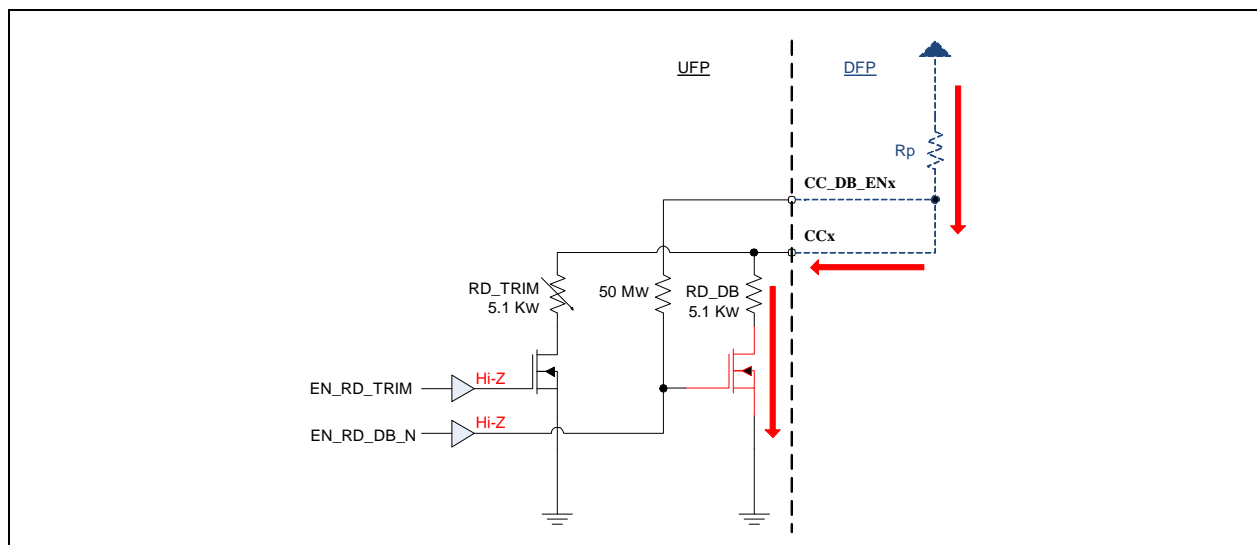
APPLICATION NOTE: Software must guarantee that a sufficient gap exists in between consecutively transmitted PD messages to enable the source R_p value to settle on the CC line. Studies by USB-IF members have showed the settling time may take in excess of 40 us.

9.6 Dead Battery

Two variations of the R_d resistor are implemented: R_d (Dead Battery) and R_d (Trimmed). The [CC1_DB_EN](#) and [CC2_DB_EN](#) pins exist to determine the operation of the CC pins in dead battery conditions and are to be connected externally via the PCB to the respective CC pin. The CC pins are configured to present either Hi-Z or an untrimmed R_d pull-down resistance when connected to a DFP advertising a pull-up resistance.

[Figure 9-1](#) illustrates the configuration for supporting dead battery cases via hair pinning [CCx_DB_EN](#) and [CCx](#) together on the PCB. The UFP pull-up activates the FET in series with [RD_DB](#) and enables the untrimmed dead battery pull-down.

FIGURE 9-1: CC RD (DEAD BATTERY)

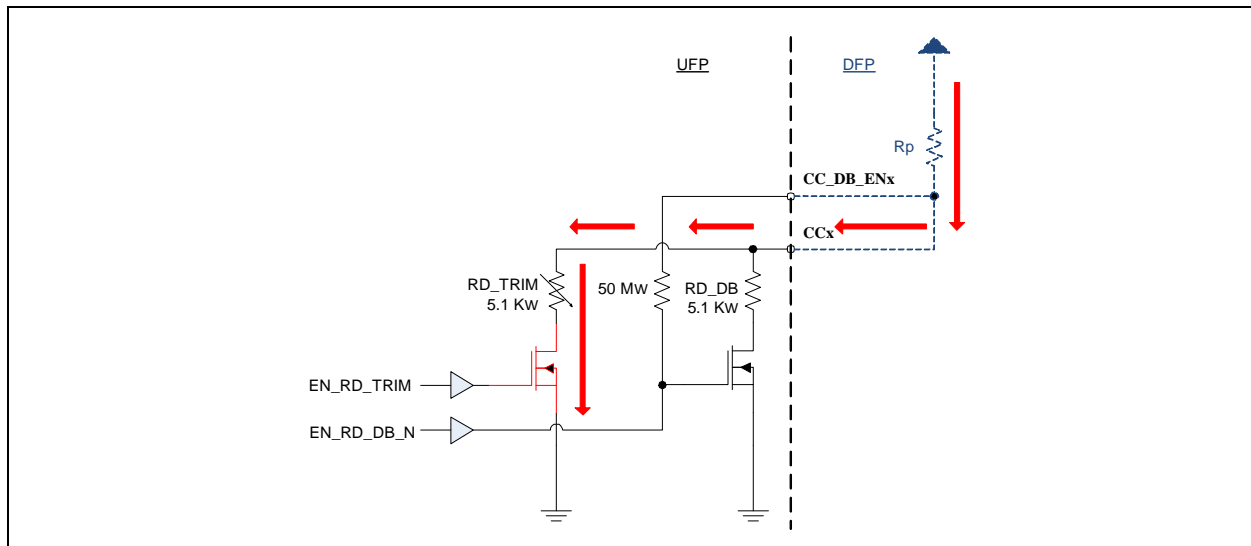


[Figure 9-2](#) illustrates operation after the UFP has been powered over VBUS by the DFP. After the device is powered, [EN_RD_DB](#) asserts by default to keep the [RD_DB](#) pull-down activated.

UPD360

Upon powering the host CPU, software simultaneously deasserts EN_RD_DB and asserts EN_RD_TRIM. Going forward the device presents RD_TRIM.

FIGURE 9-2: CC RD (TRIM)



The Rd resistor presented, trimmed or untrimmed, is controlled by the [CC1 Pull-Down Value](#) and [CC2 Pull-Down Value](#) in the [CC Control Register \(CC_CTL\)](#). These register fields serve the basis for the EN_RD_TRIM and EN_RD_DB_N control signals depicted.

9.7 VCONN Operation

VCONN is a 5V supply that is used to power circuitry in the USB Type-C plug, which is required to implement Electronically Marked Cables. By default, the DFP always sources VCONN when connected to an active cable. However, this may be changed by software by using PD VCONN_SWAP.

The VCONN FETs are enabled/disabled by software via the [VCONN1 Control](#) and [VCONN2 Control](#) control bits in the [CC Control Register \(CC_CTL\)](#).

In standalone DFP mode, the device independently enables/disables the VCONN FETs. This mode is intended for configurations where no host CPU is available or the CPU is not capable of managing VCONN. The [Standalone Operation](#) bit in the [CC Hardware Control Register \(CC_HW_CTL\)](#) enables this mode of operation.

APPLICATION NOTE: It is not envisioned to ever enable both FETs simultaneously.

VCONN is monitored for an over current condition via an internal monitoring circuit. A VCONN over current condition is recognized when the event persists for a time longer than specified in the [VCONN OCS and Back-Drive Debounce Register \(VCONN_DEB\)](#). VCONN OCS monitoring is enabled via the [VCONN OCS Enable](#) bit in the [VBUS Control Register \(VBUS_CTL\)](#).

When an over-current VCONN event is detected, the [VCONN Discharge Error \(VCONN_DISCH_ERR\)](#) interrupt in the [Power Interrupt Status Register \(PWR_INT_STS\)](#) asserts. The device may be configured to automatically disable the VCONN FET upon detection of a [CC1 Back-Drive Error/CC2 Back-Drive Error](#) or [VCONN Discharge Error \(VCONN_DISCH_ERR\)](#). In the event of the detection of a debounced over-current VCONN event, the enabled VCONN FET will be disabled. The OCS event also results in an automatic disablement of the respective [VCONN1 Control](#) and [VCONN2 Control](#) control bits in the [CC Control Register \(CC_CTL\)](#).

9.7.1 VCONN DISCHARGE PROGRAMMING MODEL

Software may use the following programming model for implementing VCONN discharge when the device is operating as a DFP and a UFP disconnect has been detected.

This section does not apply to standalone DFP operation.

1. Software determines the attached UFP has disconnected and disconnects the VCONN FET.
2. Software disables monitoring the CC thresholds corresponding to the attached CC pin.

3. The Rp current sources are disabled on both CC pins via [CC1 RP Value](#) or [CC2 RP Value](#).
4. The Ra pull-down on the CC pin previously sourcing VCONN is selected via [CC1 Pull-Down Value](#) or [CC2 Pull-Down Value](#). This initiates the VCONN discharge.
5. Software sets the CC threshold 0 to 150 mv (41d), via the [CC Threshold x Registers \(CC_THRx\)](#), which is the VCONN discharge threshold.
6. Software programs 01h into the [CCx Debounce Clear Enable Registers \(CCx_DBCLR_EN\)](#).
7. Software programs 01h into the [CCx Match Enable Registers \(CCx_MATCH_EN\)](#).
8. Software enables [CC1_MATCH_CHG](#) or [CC2_MATCH_CHG](#) interrupt via the [CC Interrupt Enable Register \(CC_INT_EN\)](#).
9. Via the [CC Control Register \(CC_CTL\)](#), the [CC Comparator Control](#) selects the CC pin that was sourcing VCONN.
10. Changes in state of the CC pin are recorded in [CCx Match Registers \(CCx_MATCH\)](#) and [CCx Change Status Registers \(CCx_CHG_STS\)](#) after the programmed debounce period.
11. After VCONN discharges below 150mv, [IRQ_N](#) asserts which indicates VCONN has been discharged. [IRQ_N](#) assertion of [CC_MATCH_VLD](#) with no threshold matches is also indicative of a complete discharge.
12. After the discharge has been completed, the device is in the Unattached.SRC state.

Note: Software should implement a timer to indicate a VCONN discharge error. This may be implemented using the [General Purpose Timer](#). While there is no specific requirement in the Type-C specification for a maximum discharge time

Note: After the UFP disconnect is detected, firmware must disconnect the VCONN supply within $t_{VconnOff}$ (35 ms) per release 1.1 of the Type-C specification.

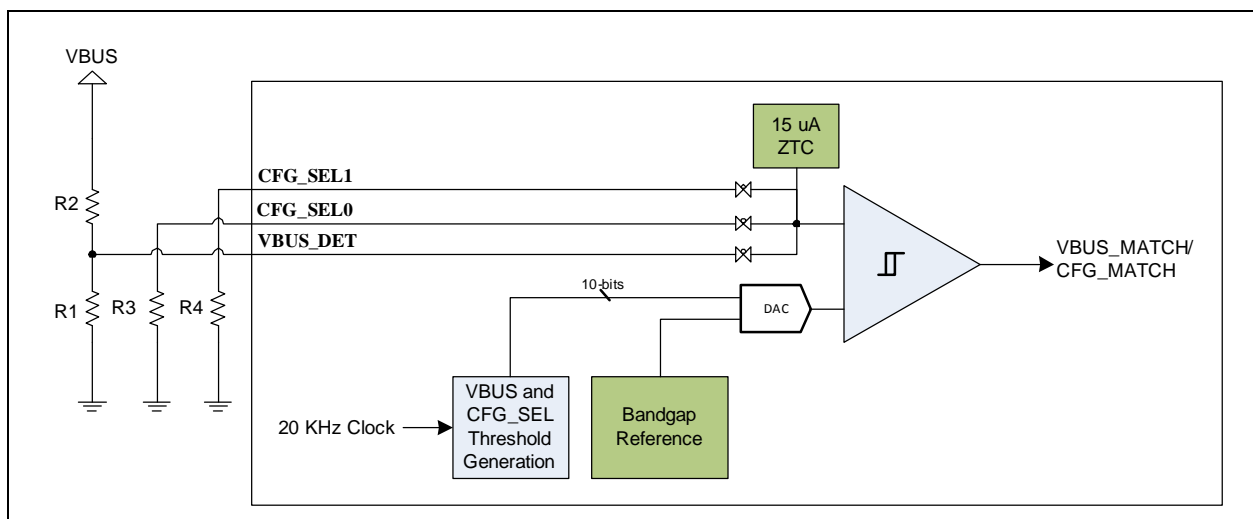
9.8 VBUS Detection

The device implements a comparator for determining when VBUS is within a programmed range, v_{Safe5V} , or v_{Safe0v} . VBUS is divided down externally via a 1:9 resistor divider to generate [VBUS_DET](#). [VBUS_DET](#) is compared with an 8-bit threshold generated by an integrated DAC. The comparator is also shared by the [CFG_SEL0](#) and [CFG_SEL1](#) pins which are sampled automatically after a system reset

[Figure 9-3](#) illustrates the [VBUS_DET](#) circuit. In a typical use case, [VBUS_DET](#) thresholds are programmed to track the following voltage ranges as defined in [Table 9-6](#).

Note: [Table 9-6](#) illustrates the values of [VBUS_DET](#) utilizing +/-1% accurate resistors where R1 is 10K Ohms and R2 is 90 kOhms.

FIGURE 9-3: VBUS_DET COMPARATOR



For a DFP, the VBUS comparator is useful to detect when VBUS is within the desired range per PD negotiations. This is the case when VBUS is generated by a source external to the device.

UPD360

For a UFP, the VBUS comparator is required to determine when a DFP is attached or detached. It may also use the comparator to determine when VBUS is within a new voltage range negotiated via PD.

TABLE 9-6: VBUS DETECTION THRESHOLDS

VBUS	Range	VBUS_DET	Comments
20	21.5	2.11	
	18.5	1.82	
12	13.1	1.29	
	10.9	1.07	
8	8.9	0.88	
	7.1	0.69	
5	5.5	0.51	vSafe5V
	3.67	0.33	
0.8	0.8	0.08	vSafe0V

If supported, the ranges 8V, 12V and 20V may be programmed in VBUS Threshold 2 and VBUS Threshold 3 registers (see [VBUS Threshold x Registers \(VBUS_THRx\)](#)). Likewise 5V range, vSafe5v, can be programmed in VBUS Threshold 0 and VBUS Threshold 1 registers.

The threshold for vSafe0V is programmable via the [VBUS VSafe0V Threshold Register \(VSAFE0V_THR\)](#).

VBUS_DET monitoring logic operates off of the 20 KHz oscillator which cycles through each threshold. Including vSafe0v, a total of five values are compared.

Results of the comparison adjust the respective bits of the [VBUS Match Register \(VBUS_MATCH\)](#) and [VBUS Change Status Register \(VBUS_CHG_STS\)](#) after a debounce period defined in [VBUS Debounce Register \(VBUS_DEB\)](#).

The [VBUS Match Register \(VBUS_MATCH\)](#) indicates when the value on **VBUS_DET** is higher than the corresponding programmed threshold and can therefore be used to determine if **VBUS** is in the desired range.

A change in the state of the [VBUS Match Register \(VBUS_MATCH\)](#) may trigger assertion of the **IRQ_N** pin if appropriately configured in the [Power Interrupt Status Register \(PWR_INT_STS\)](#).

The [VBUS Debounce Clear Enable Register \(VBUS_DBCLR_EN\)](#) is functionality equivalent to the [CCx Debounce Clear Enable Registers \(CCx_DBCLR_EN\)](#), but it applies to the VBUS debouncer. Software programs the [VBUS Debounce Clear Enable Register \(VBUS_DBCLR_EN\)](#) as required to enable debouncing the thresholds of interest.

The following example illustrates the programming model when it is desired to move **VBUS** from 5V to 20V after PD contract negotiation. Initially the **VBUS** de-bouncer is enabled and vSafe5v, **VBUS_THR0** and **VBUS_THR1**, is sampled. **VBUS_THR2** and **VBUS_THR3** have an initial value in excess of 5V such as 25V. See [Section 9.12.24](#) for details on the **VBUS_THRx** registers.

1. Software programs the [VBUS Match Enable Register \(VBUS_MATCH_EN\)](#) to include new thresholds (**VBUS_THR2** and **VBUS_THR3**).
2. Software programs the [VBUS Debounce Clear Enable Register \(VBUS_DBCLR_EN\)](#) as required to enable per threshold debouncing.
3. Software programs new thresholds for 20V in **VBUS_THR2** and **VBUS_THR3** (e.g. 18.5V and 21.5V). This operation restarts the VBUS debouncer.
4. Software waits until **IRQ_N** asserts.
5. Software confirms the [VBUS_MATCH_VLD](#) bit is set.
6. Software reads the [VBUS Match Register \(VBUS_MATCH\)](#) and [VBUS Change Status Register \(VBUS_CHG_STS\)](#).
7. If [VBUS Change Status Register \(VBUS_CHG_STS\)](#) is non-zero, software clears the status bits.

Note: If no bits are set in the [VBUS Match Register \(VBUS_MATCH\)](#), after [VBUS_MATCH_VLD](#) asserts, then the voltage observed on **VBUS** is less than vSafe0V.

8. Future changes in **VBUS** results in **IRQ_N** asserting with [VBUS Match Register \(VBUS_MATCH\)](#) and [VBUS Change Status Register \(VBUS_CHG_STS\)](#) being appropriately updated.

9.8.1 CONFIGURATION SELECTION

The **CFG_SEL0** and **CFG_SEL1** (*UPD360-A/UPD360-B only*) pins share the comparator with **VBUS** as shown in [Figure 9-3](#). Each **CFG_SELx** pin is connected to a resistor divider, typically pulled up to **VDDIO**. After a system level reset (POR, **RESET_N**, Software Reset), both **CFG_SELx** pins are automatically sampled to configure the device. The **CFG_SELx Match Registers (CFG_SELx_MATCH)** are updated automatically and the device configures itself accordingly if standalone mode is detected.

The various resistor settings for the **CFG_SEL0** and **CFG_SEL1** pins are detailed in [Table 9-7](#) and [Table 9-8](#), respectively.

Note: For additional information on device resets, refer to [Section 7.7, "Reset Operation,"](#) on page 34.

TABLE 9-7: CONFIGURATION SELECT 0 (CFG_SEL0) SETTINGS

Resistor (+/-1%)	Description	CFG_SEL0_MATCH Register
GND	Standalone DFP / USB58xx/USB59xx Companion DFP Device operates in standalone DFP mode (<i>UPD360-A/UPD360-B only</i>) for applications where an I ² C connection to the host is not be present. The PWR_CAPx pins are used to select the USB Type-C™ current provided.	0000h
0.475 K	Standalone UFP / USB58xx/USB59xx Companion UFP Device operates in standalone UFP mode (<i>UPD360-A/UPD360-B only</i>) for applications where an I ² C connection to the host is not be present.	0001h
0.953 K	I²C/SPI Companion Mode A (TBD)	0003h
1.43 K	I²C/SPI Companion Mode B (TBD)	0007h
1.87 K	I²C/SPI Companion Mode C (TBD)	000Fh
2.37 K	I²C/SPI Companion Mode D (TBD)	001Fh
2.87 K	I²C/SPI Companion Mode E (TBD)	003Fh
3.32 K	I²C/SPI Companion Mode F (TBD)	007Fh
3.83 K	I²C/SPI Companion Mode G (TBD)	00FFh
4.22 K	I²C/SPI Companion Mode H (TBD)	01FFh
4.75 K	I²C/SPI Companion Mode I (TBD)	03FFh
5.23 K	I²C/SPI Companion Mode J (TBD)	07FFh
5.62 K	I²C/SPI Companion Mode K (TBD)	0FFFh
6.19 K	I²C/SPI Companion Mode L (TBD)	1FFFh
6.65 K	I²C/SPI Companion Mode M (TBD)	3FFFh
7.15 K	I²C/SPI Companion Mode N (TBD)	7FFFh
>7.15 K	I²C/SPI Companion Mode O (TBD)	FFFFh

Note: Any **CFG_SEL0** value other than GND or 10.5K will select the I²C/SPI Companion mode.

UPD360

TABLE 9-8: CONFIGURATION SELECT 1 (CFG_SEL1) I²C ADDRESS SETTINGS (UPD360-A/UPD360-B ONLY)

Resistor (+/-1%)	Description	CFG_SEL1_MATCH Register
GND	I ² C Slave Address = 1011_111	0000h
0.475 K	I ² C Slave Address = 1011_110	0001h
0.953 K	I ² C Slave Address = 1011_101	0003h
1.43 K	I ² C Slave Address = 1011_100	0007h
1.87 K	I ² C Slave Address = 1101_011	000Fh
2.37 K	I ² C Slave Address = 1101_010	001Fh
2.87 K	I ² C Slave Address = 1101_001	003Fh
3.32 K	I ² C Slave Address = 1101_000	007Fh
3.83 K	I ² C Slave Address = 1110_111	00FFh
4.22 K	I ² C Slave Address = 1110_110	01FFh
4.75 K	I ² C Slave Address = 1110_101	03FFh
5.23 K	I ² C Slave Address = 1110_100	07FFh
5.62 K	I ² C Slave Address = 1110_001	0FFFh
6.19 K	I ² C Slave Address = 1110_011	1FFFh
6.65 K	I ² C Slave Address = 1110_000	3FFFh
7.15 K	I ² C Slave Address = 1110_010	7FFFh
>7.15 K	I ² C Slave Address = 1001_000	FFFFh

9.9 Back-Drive Detection

Back-drive detection is implemented on both CC pins, which prevents backwards current flow. The back-drive protection circuit is always operational and triggers when $VCCx > VS$.

Detection of the back-drive condition causes the [CC1 Back-Drive Error](#) or [CC2 Back-Drive Error](#) bits in the [Power Interrupt Status Register \(PWR_INT_STS\)](#) to assert.

Hardware supports automatically disabling a VCONN FET on a CC pin in which back-drive was detected after the debounce period specified in the [VCONN OCS and Back-Drive Debounce Register \(VCONN_DEB\)](#). This function is enabled by setting [CC Back-Drive Enable](#) in [VBUS Control Register \(VBUS_CTL\)](#).

9.10 Standalone DFP (UPD360-A/UPD360-B Only)

9.10.1 OVERVIEW

The device supports standalone DFP operation in which no CPU is available to configure the device. A key application for this mode is a USB Type-C DFP companion for the Microchip USB58xx/USB59xx family of USB Hubs.

9.10.2 CONFIGURATION

This mode is entered by the appropriate setting of the [CFG_SEL0](#) and [CFG_SEL1](#) pins. The current charge advertised and supplied is defined by the [PWR_CAP0](#) and [PWR_CAP1](#) pins. The device auto configures itself after a system level reset event.

APPLICATION NOTE: The [Standalone Operation](#) field in [CC Hardware Control Register \(CC_HW_CTL\)](#) may be used to disable standalone operation.

9.11 Standalone UFP (*UPD360-A/UPD360-B Only*)

9.11.1 OVERVIEW

The device supports standalone UFP operation in which no CPU is available to configure the device. A key application for this mode is a USB Type-C UFP companion for the Microchip USB58xx/USB59xx family of USB Hubs.

9.11.2 CONFIGURATION

This mode is entered by the appropriate setting of the **CFG_SEL0** and **CFG_SEL1** pins. The device auto-configures itself after a system level reset event.

APPLICATION NOTE: The [Standalone Operation](#) field in the [CC Hardware Control Register \(CC_HW_CTL\)](#) may be used to disable standalone operation.

UPD360

9.12 Cable Orientation and Detection Registers

This section details the cable plug orientation and detection registers. For an overview of the entire device register map, refer to [Section 4.0, "Register Map,"](#) on page 19.

TABLE 9-9: SYSTEM CONTROL AND STATUS REGISTERS MAP

Address	Register Name (Symbol)
0800h	CC Hardware Control Register (CC_HW_CTL)
0803h	CC Interrupt Status Register (CC_INT_STS)
0804h	CCx Change Status Registers (CCx_CHG_STS) x=1
0805h	CCx Change Status Registers (CCx_CHG_STS) x=2
0806h	CCx Match Registers (CCx_MATCH) x=1
0807h	CCx Match Registers (CCx_MATCH) x=2
0808h	VBUS Match Register (VBUS_MATCH)
0809h	VBUS Change Status Register (VBUS_CHG_STS)
080Ah	Power Interrupt Status Register (PWR_INT_STS)
080Bh	Debug Interrupt Status Register (DBG_INT_STS)
080Ch – 0810h	Reserved for future expansion
0811h	CC Interrupt Enable Register (CC_INT_EN)
0812h	CCx Match Enable Registers (CCx_MATCH_EN) x=1
0813h	CCx Match Enable Registers (CCx_MATCH_EN) x=2
0814h	VBUS Match Enable Register (VBUS_MATCH_EN)
0815h	Power Interrupt Enable Register (PWR_INT_EN)
0816h	Debug Interrupt Enable Register (DBG_INT_EN)
0817h	Match Debounce Register (MATCH_DEB)
0818h	PD Debounce Register (PD_DEB)
0819h	VCONN OCS and Back-Drive Debounce Register (VCONN_DEB)
081Ah	CCx Debounce Clear Enable Registers (CCx_DBCLR_EN) x=1
081Bh	CCx Debounce Clear Enable Registers (CCx_DBCLR_EN) x=2
081Ch	VBUS Debounce Clear Enable Register (VBUS_DBCLR_EN)
081Dh	CCx Sample Enable Registers (CCx_SAMP_EN) x=1
081Eh	CCx Sample Enable Registers (CCx_SAMP_EN) x=2
081Fh	Reserved for future expansion
0820h	CC Control Register (CC_CTL)
0822h	CC Threshold x Registers (CC_THRx) x=0
0824h	CC Threshold x Registers (CC_THRx) x=1
0826h	CC Threshold x Registers (CC_THRx) x=2
0828h	CC Threshold x Registers (CC_THRx) x=3
082Ah	CC Threshold x Registers (CC_THRx) x=4
082Ch	CC Threshold x Registers (CC_THRx) x=5
082Eh	CC Threshold x Registers (CC_THRx) x=6
0830h	CC Threshold x Registers (CC_THRx) x=7
0832h	CC Debounce Register (CC_DEB)
0834h – 083Fh	Reserved for future expansion
0840h	VBUS Control Register (VBUS_CTL)
0842h	VBUS Threshold x Registers (VBUS_THRx) x=0
0844h	VBUS Threshold x Registers (VBUS_THRx) x=1
0846h	VBUS Threshold x Registers (VBUS_THRx) x=2

TABLE 9-9: SYSTEM CONTROL AND STATUS REGISTERS MAP (CONTINUED)

Address	Register Name (Symbol)
0848h	VBUS Threshold x Registers (VBUS_THRx) x=3
084Ah	VBUS Debounce Register (VBUS_DEB)
084Bh	VBUS Off Register (VBUS_OFF)
084Ch	VBUS Error Register (VBUS_ERR)
084Dh	Reserved for future expansion
084Eh	VBUS VSafe0V Threshold Register (VSAFE0V_THR)
0850h	CFG_SELx Match Registers (CFG_SELx_MATCH) x=0
0852h	CFG_SELx Match Registers (CFG_SELx_MATCH) x=1
0854h	CFG_SEL Threshold x Registers (CFG_SEL_THRx) x=0
0856h	CFG_SEL Threshold x Registers (CFG_SEL_THRx) x=1
0858h	CFG_SEL Threshold x Registers (CFG_SEL_THRx) x=2
085Ah	CFG_SEL Threshold x Registers (CFG_SEL_THRx) x=3
085Ch	CFG_SEL Threshold x Registers (CFG_SEL_THRx) x=4
085Eh	CFG_SEL Threshold x Registers (CFG_SEL_THRx) x=5
0860h	CFG_SEL Threshold x Registers (CFG_SEL_THRx) x=6
0862h	CFG_SEL Threshold x Registers (CFG_SEL_THRx) x=7
0864h	CFG_SEL Threshold x Registers (CFG_SEL_THRx) x=8
0866h	CFG_SEL Threshold x Registers (CFG_SEL_THRx) x=9
0868h	CFG_SEL Threshold x Registers (CFG_SEL_THRx) x=10
086Ah	CFG_SEL Threshold x Registers (CFG_SEL_THRx) x=11
086Ch	CFG_SEL Threshold x Registers (CFG_SEL_THRx) x=12
086Eh	CFG_SEL Threshold x Registers (CFG_SEL_THRx) x=13
0870h	CFG_SEL Threshold x Registers (CFG_SEL_THRx) x=14
0872h	CFG_SEL Threshold x Registers (CFG_SEL_THRx) x=15
0874h	CFG_SEL Debug Register (CFG_SEL_DBG)
0875h – 0885h	Reserved for future expansion
0886h	VCONN Discharge Threshold Register (VCONN_DIS_THR)
0888h	VCONN Discharge Time Register (VCONN_DIS_TIME)
088Ah – 0BFFh	Reserved for future expansion

Note: RESERVED address space must not be written under any circumstances. Failure to heed this warning may result in untoward operation and unexpected results.

UPD360

9.12.1 CC HARDWARE CONTROL REGISTER (CC_HW_CTL)

Address: 0800h Size: 16 bits

Bits	Description	Type	Default
15:14	SHORT_DET Defines behavior in standalone DFP mode for handling the short circuit condition. 0xb: A0 functionality maintained where VBUS short is not checked before initiating VBUS discharge. 10b: Device initiates VBUS discharge only after short circuit condition has been removed. 11b: Device initiates VBUS discharge after short circuit condition has been removed or a time equal to TCYCLE. Note: This field only has meaning for standalone DFP operation.	R/W	00b
13	RESERVED	RO	-
12	BLK_PD_MSG This bit causes the CC debouncer to pause whenever a PD message is detected by the MAC. This applies for both transmit and receive messages. After the message is processed 0b: Disable PD message filtering. 1b: Enable PD message filtering. Note: This must be enabled for collision detection.	R/W	0b
11	MATCH_DB_UNITS This bit defines the units of the Match Debounce Register (MATCH_DEB) . 0b: Match debounce has units of 1.6 ms. 1b: Match debounce has units of 100 us. Note: 1.6 ms is derived from the time to cycle through all thresholds on both CC pins.	R/W	0b
10	DEVICE_MODE Indicates the current mode of the device. 0b: Device is in Companion Mode 1b: Device is in Standalone Mode (<i>UPD360-A/UPD360-B only</i>)	RO	0b
9	CC_DB_ACTIVE When this bit reads back 0b, the debouncer is disabled. The CC debouncer is enabled when it reads back 1b. Note: Software may poll this bit to determine when the CC debouncer is disabled, which can be used as a condition for programming a new configuration.	RO	0b
8	DEVICE_STATE Indicates the current state of the device attachment. 0b: Device is not attached 1b: Device is attached	RO	0b

Bits	Description	Type	Default
7:6	<p>Power Capability Indicates the charging current capacity of the device as defined by the PWR_CAPx pins. (<i>UPD360-A/UPD360-B only</i>)</p> <p>This field only has meaning for configurations where the PWR_CAPx pins are available (<i>UPD360-A/UPD360-B only</i>).</p>	RO	Note 9-2
5:3	<p>Detach Threshold Select Defines which CC threshold shall be used for determining a detach when operating as a standalone DFP (<i>UPD360-A/UPD360-B only</i>).</p>	R/W	Note 9-2
2	<p>Device Role 0b: Device configured as UFP. 1b: Device configured as DFP.</p> <p>Note: This bit must not be modified while the CC debouncer is enabled.</p>	R/W	Note 9-3
1	RESERVED	RO	-
0	<p>Standalone Operation 0b: Companion Mode 1b: Standalone mode (<i>UPD360-A/UPD360-B only</i>)</p> <p>Standalone mode: This is the mode of operation supported for standalone operation. During standalone operation, the I²C interface may not be available and the host CPU is not capable of managing the UPD360.</p> <p>The following functions can be handled by the internal logic when this bit is set:</p> <ul style="list-style-type: none"> • VCONN Enabled/Disable • Attach detection and assertion of ATTACH • Detach detection and de-assertion of ATTACH • Orientation detection and assertion/de-assertion of ORIENTATION pin • Enables CC de-bouncer. 	R/W	Note 9-1

Note 9-1 Default is 1b when a standalone configuration is selected otherwise the default is 0b.

Note 9-2 Default is a function of the **PWR_CAP0** and **PWR_CAP1** pins, when the configuration supports these pins. Otherwise the default is 0h.

Note 9-3 Default is a function of the **CFG_SEL0** and **CFG_SEL1** pins. When the configuration indicates UFP configuration this bit defaults to 0b. For DFP operation this bit defaults to 1b. When neither UFP or DFP is specified the default shall be 0b.

UPD360

9.12.2 CC INTERRUPT STATUS REGISTER (CC_INT_STS)

Address: 0803h Size: 16 bits

Bits	Description	Type	Default
7	CC_MATCH_VLD Asserts after the CC debouncer is first enabled, via CC Comparator Control , and the first match becomes valid in CCx Match Registers (CCx_MATCH) .	R/WC	0b
6	RP_CHG When operating as a standalone UFP, this interrupt indicates a change in the state of the RP value advertised by the DFP has been detected (<i>UPD360-A/UPD360-B only</i>). Note: This bit is RO when the device is not configured as a standalone UFP and will always read back 0b. Note: The source of this input is a pulse and does not persist after being cleared. Note: The updated current advertisement is available via the DFP Current Advertisement field in the CC Control Register (CC_CTL) .	R/WC	0b
5	DETACH Indicates a detach event has occurred when the device has been configured to support standalone mode per the Standalone Operation field in the CC Control Register (CC_CTL) (<i>UPD360-A/UPD360-B only</i>). DFP Operation: CC pins are monitored for detecting a detach. UFP Operation: VBUS is monitored for detecting a detach. Note: The source of this input is a pulse and does not persist after being cleared.	R/WC	0b
4	ATTACH Indicates an attach event has occurred when the device has been configured to support standalone mode per the Standalone Operation field in the CC Control Register (CC_CTL) (<i>UPD360-A/UPD360-B only</i>). DFP Operation: CC pins are monitored for an attach. UFP Operation: CC pins and VBUS are monitored for an attach. Note: The source of this input is a pulse and does not persist after being cleared.	R/WC	0b
3:2	RESERVED	RO	-
1	CC2_MATCH_CHG Indicates the a change occurred in the state of the respective CCx Change Status Registers (CCx_CHG_STS) . Note: The source of this input is a pulse and does not persist after being cleared.	RO	0b
0	CC1_MATCH_CHG Indicates the a change occurred in the state of the respective CCx Change Status Registers (CCx_CHG_STS) . Note: The source of this input is a pulse and does not persist after being cleared.	RO	0b

9.12.3 CCX CHANGE STATUS REGISTERS (CCX_CHG_STS)

Address: x=1: 0804h Size: 8 bits
 x=2: 0805h

Bits	Description	Type	Default
7:0	<p>CCx Change Status When set, each bit indicates that the respective bit in the CCx Match Registers (CCx_MATCH) has changed.</p> <p>A write of 1b clears the respective status bit.</p>	R/WC	0h

9.12.4 CCX MATCH REGISTERS (CCX_MATCH)

Address: x=1: 0806h Size: 8 bits
 x=2: 0807h

Bits	Description	Type	Default
7:0	<p>CCx Threshold Match (CCx_MATCH) When set, each bit indicates that the respective threshold programmed in the CC Threshold x Registers (CC_THRx) was matched. A match is determined when the measured voltage exceeds the programmed threshold.</p> <p>These registers are updated after the Match Debounce Register (MATCH_DEB) while in the Unattached state. While in AttachWait state, these registers are updated after the PD Debounce Register (PD_DEB) if vOpen is seen for a time greater than in the PD Debounce Register (PD_DEB). While in Attached Source / Attached Sink states (e.g. detecting detach) the match registers are updated after the PD Debounce Register (PD_DEB).</p> <p>Note: This register will always read the default value until the CC comparator is enabled when not operating in standalone mode.</p> <p>Note: The contents of this register are debounced per the settings in the CCx Debounce Clear Enable Registers (CCx_DBCLR_EN), otherwise the raw value shall be shown.</p>	RO	Note 9-4

Note 9-4 Defaults to FFh when the device is configured as a DFP and 00h when configured as a UFP, per the [Device Role](#) field in the [CC Control Register \(CC_CTL\)](#).

UPD360

9.12.5 VBUS MATCH REGISTER (VBUS_MATCH)

Address: [0808h](#) Size: 8 bits

Indicates which VBUS thresholds are matched on **VBUS_DET** pin. A match is determined when the measured voltage exceeds the programmed threshold.

Note: When not operating in standalone mode, this register will always read 0h until the VBUS comparator is enabled.

Note: The contents of this register shall be debounced per the settings in [VBUS Debounce Clear Enable Register \(VBUS_DBCLR_EN\)](#).

Bits	Description	Type	Default
7:6	RESERVED	RO	-
5	VBUS Threshold 3 Match (VBUS3_THR_MATCH)	RO	0b
4	VBUS Threshold 2 Match (VBUS2_THR_MATCH)	RO	0b
3	VBUS Threshold 1 Match (VBUS1_THR_MATCH)	RO	0b
2	VBUS Threshold 0 Match (VBUS0_THR_MATCH)	RO	0b
1	RESERVED	RO	-
0	VBUS VSafe0v Match (VSAFE0V_THR_MATCH)	RO	0b

9.12.6 VBUS CHANGE STATUS REGISTER (VBUS_CHG_STS)

Address: [0809h](#) Size: 8 bits

Bits	Description	Type	Default
7:0	VBUS Change Status (VBUS_CHG_STS) When set, each bit indicates that the respective bit in VBUS Match Register (VBUS_MATCH) has changed. A write of 1b clears the respective status bit.	R/WC	0h

9.12.7 POWER INTERRUPT STATUS REGISTER (PWR_INT_STS)

Address: 080Ah Size: 8 bits

Bits	Description	Type	Default
7	<p>VBUS_MATCH_VLD Asserts after the VBUS debouncer is first enabled, via VBUS Comparator Control, and the first match becomes valid in VBUS Match Register (VBUS_MATCH).</p>	R/WC	0b
6	<p>VCONN Discharge Error (VCONN_DISCH_ERR) When set this bit indicates that a VCONN discharge error has been detected. This bit is only available in standalone DFP mode and is otherwise reserved.</p> <p>A discharge error is tracked when VCONN Discharge Control is set to 00b or 01b. A discharge error is asserted when VCONN fails to fall below VCONN Discharge Threshold (VCONN_DIS_THR) after a time greater than VCONN Discharge Time (VCONN_DIS_TIME) elapses.</p>	R/WC	0b
5	<p>CC2 Back-Drive Error When set, indicates that back-drive has been detected on the CC2 pin.</p> <p>Note: The source of this input is a level and persists until the error condition stops.</p>	R/WC	0b
4	<p>VBUS Discharge Error When set, indicates that the an interval greater than defined in the VBUS Off Register (VBUS_OFF) has elapsed while attempting to discharge VBUS.</p> <p>Note: The source of this input is a pulse and does not persist after being cleared.</p>	R/WC	0b
3	<p>VCONN2 FET Power The integrated VCONN2 FET is enabled and providing power.</p> <p>This bit only has usefulness for standalone operation or where VCONN is explicitly enabled by the host.</p> <p>Note: The source of this input is a level and persists until the VCONN is no longer present.</p>	R/WC	0b
2	<p>VCONN1 FET Power The integrated VCONN1 FET is enabled and providing power.</p> <p>This bit only has usefulness for standalone operation or where VCONN is explicitly enabled by the host.</p> <p>Note: The source of this input is a level and persists until the VCONN is no longer present.</p>	R/WC	0b
1	<p>CC1 Back-Drive Error When set indicates that back-drive has been detected on the CC1 pin.</p> <p>Note: The source of this input is a level and persists until the error condition stops.</p>	R/WC	0b
0	<p>VCONN Over-Current Error Indicates an over-current has been detected on the integrated VCONN FET.</p> <p>Note: The source of this input is a level and persists until the error condition stops.</p>	R/WC	0b

UPD360

9.12.8 DEBUG INTERRUPT STATUS REGISTER (DBG_INT_STS)

Address: 080Bh Size: 8 bits

Bits	Description	Type	Default
7:4	RESERVED	RO	0h
3	VCONN_DISCH_STS When set, indicates that the CC pin previously sourcing VCONN is being discharged. This bit only exists in standalone DFP mode and is otherwise reserved.	R/WC	0b
2	VBUS_DISCH When set indicates this indicates that VBUS is being discharged. Note: The source of this input is a level and it persists until the discharge has completed.	R/WC	0b
1	CFG_SEL1 Done When set, indicates that all CFG_SEL Threshold x Registers (CFG_SEL_THRx) have been measured in response to the request enabled by VBUS Comparator Control to sample the CFG_SEL1 pin and the results are readable in the respective CFG_SELx Match Registers (CFG_SELx-MATCH) (<i>UPD360-A/UPD360-B only</i>). Note: The source of this input is a pulse and does not persist after being cleared.	R/WC	0b
0	CFG_SEL0 Done When set, indicates that all CFG_SEL Threshold x Registers (CFG_SEL_THRx) have been measured in response to the request enabled by VBUS Comparator Control to sample the CFG_SEL0 pin and the results are readable in the respective CFG_SELx Match Registers (CFG_SELx-MATCH) . Note: The source of this input is a pulse and does not persist after being cleared.	R/WC	0b

9.12.9 CC INTERRUPT ENABLE REGISTER (CC_INT_EN)

Address: 0811h Size: 8 bits

Bits	Description	Type	Default
7:4	CC Interrupt Enable When "0", prevents generation of the respective interrupt.	R/W	0000b
3:2	RESERVED	-	00b
1:0	CC Interrupt Enable When "0", prevents generation of the respective interrupt.	R/W	00b

9.12.10 CCX MATCH ENABLE REGISTERS (CCX_MATCH_EN)

Address: x=1: 0812h Size: 8 bits
 x=2: 0813h

Bits	Description	Type	Default
7:0	CCx Match Enable When set, the corresponding bit in the CCx Change Status Registers (CCX_CHG_STS) can cause the assertion of the respective CCx Match Change interrupt (CC1_MATCH_CHG/CC2_MATCH_CHG).	R/W	00h

9.12.11 VBUS MATCH ENABLE REGISTER (VBUS_MATCH_EN)

Address: 0814h Size: 8 bits

When set, the corresponding bit in the [VBUS Change Status Register \(VBUS_CHG_STS\)](#) can cause the assertion of the [VBUS_INT](#) interrupt.

Bits	Description	Type	Default
7:6	RESERVED	RO	-
5	VBUS Match Enable[5]	R/W	0b
4	VBUS Match Enable[4]	R/W	0b
3	VBUS Match Enable[3]	R/W	0b
2	VBUS Match Enable[2]	R/W	0b
1	VBUS Match Enable[1]	RO	0b
0	VBUS Match Enable[0]	R/W	0b

9.12.12 POWER INTERRUPT ENABLE REGISTER (PWR_INT_EN)

Address: 0815h Size: 8 bits

Bits	Description	Type	Default
7:0	Power Interrupt Enable [7:0] When "0", prevents generation of the respective interrupt.	R/W	0h

UPD360

9.12.13 DEBUG INTERRUPT ENABLE REGISTER (DBG_ENT_EN)

Address: [0816h](#) Size: 8 bits

Bits	Description	Type	Default
7:4	RESERVED	RO	0h
3	Debug Interrupt Enable 3 When "0", prevents generation of the respective interrupt. This bit only exists in standalone DFP mode and is otherwise reserved.	R/W	0b
2:0	Debug Interrupt Enable [2:0] When "0", prevents generation of the respective interrupt.	R/W	0h

9.12.14 MATCH DEBOUNCE REGISTER (MATCH_DEB)

Address: [0817h](#) Size: 8 bits

Bits	Description	Type	Default
7:0	Match Debounce Defines the debounce period utilized before updating the CCx Match Registers (CCx_MATCH) when not operating in standalone mode. The units of this register is determined by MATCH_DB_UNITS bit in CC Hardware Control Register (CC_HW_CTL) . When this bit is clear, the units are 1.6 ms. When this bit is set, the units are 100 us. Note: This register must not be modified while the CC debouncer is enabled. Note: The actual debounce time may be +/-1 from the cycle time programmed. Note: The value programmed in this CSR should be at least equal to the number of thresholds enabled in CCx Sample Enable Registers (CCx_SAMP_EN) . This is only an issue when MATCH_DB_UNITS is set to 1b.	R/W	2h

9.12.15 PD DEBOUNCE REGISTER (PD_DEB)

Address: [0818h](#) Size: 8 bits

Bits	Description	Type	Default
7:0	PD Debounce (PD_DEB) Period used for implementing $t_{pdDebounce}$. Note: This register must not be modified while the CC debouncer is enabled. Note: This register has units of 1 ms.	R/W	Ah

9.12.16 VCONN OCS AND BACK-DRIVE DEBOUNCE REGISTER (VCONN_DEB)

Address: 0819h Size: 8 bits

Bits	Description	Type	Default
7:0	<p>VCONN and Back-Drive Debounce (VCONN_DEB) Period used for implementing debounce of over-current detected on VCONN FET as well as back-drive detected on the CC pins.</p> <p>Note: This register has units of 1 ms.</p> <p>Note: This register should not be changed when VCONN OCS Enable is set.</p>	R/W	2h

9.12.17 CCX DEBOUNCE CLEAR ENABLE REGISTERS (CCX_DBCLR_EN)

Address: x=1: 081Ah x=2: 081Bh Size: 8 bits

Bits	Description	Type	Default
7:0	<p>CC Debounce Clear Enable (CC_DBCLR_DEB) When a bit is set, the respective threshold shall be included in the CC debouncer. Alternatively, when cleared the respective threshold shall no longer be considered by the debouncer.</p> <p>When CCx_DBCLR_EN bits are set on-the-fly, if a mismatch between the current raw match vector (for the new CCx_DBCLR_EN) and the previous raw match vector (for the old CCx_DBCLR_EN) exists, the DB will be reset.</p> <p>Note: Clearing bits in this register at run time does not reset the debouncer.</p> <p>Note: The CC debouncer encompasses both CC1/CC2 pins. A detected change for a threshold on either pin results in the debouncer resetting.</p> <p>Note: Even though this register may change on-the-fly, the internal logic will enable the change only at the end of the scan cycle, which is a function of whether the CC1/CC2 pins are actively sampled and the CCx Sample Enable Registers (CCx_SAMP_EN).</p>	R/W	Note 9-5

Note 9-5 The default depends on the device's configuration, as shown in table [Table 9-10](#) which depends upon CFG_SEL0, PWR_CAP0, and PWR_CAP1 pins.

APPLICATION NOTE: Clearing a bit in [CCx Debounce Clear Enable Registers \(CCx_DBCLR_EN\)](#) shall cause the respective bit in [CCx Match Registers \(CCx_MATCH\)](#) to be immediately updated upon a change in state of the associated threshold. This causes a state change in [CCx Change Status Registers \(CCx_CHG_STS\)](#) and assertion of CC_INT, if enabled. To prevent this [CCx Match Enable Registers \(CCx_MATCH_EN\)](#) should be updated before the [CCx Debounce Clear Enable Registers \(CCx_DBCLR_EN\)](#) by having the associated threshold cleared.

UPD360

TABLE 9-10: CCX_DBLCLR_DEB DEFAULTS

Configuration	Bit 0	Bit 1	Bit 2	Bit 3	Bit 4	Bit 5	Bit 6	Bit 7
Standalone UFP (UPD360-A/UPD360-B only)	1	0	1	0	1	0	0	0
Standalone DFP (Default Current) (UPD360-A/UPD360-B only)	1	0	0	0	0	1	0	0
Standalone DFP (1.5 A) (UPD360-A/UPD360-B only)	0	1	0	0	0	1	0	0
Standalone DFP (3.0 A) (UPD360-A/UPD360-B only)	0	0	0	1	0	0	1	0
Other	0	0	0	0	0	0	0	0

9.12.18 VBUS DEBOUNCE CLEAR ENABLE REGISTER (VBUS_DBCLR_EN)

Address: **081Ch** Size: 8 bits

When a bit is set, the respective threshold shall be included in the VBUS debouncer. Alternatively, when cleared, the respective threshold shall no longer be considered by the debouncer.

When VBUS_DBCLR_EN bits are set on-the-fly, if a mismatch between the current raw match vector (for the new VBUS_DBCLR_EN) and the previous raw match vector (for the old VBUS_DBCLR_EN) exists, the DB will be reset.

Note: Clearing bits in this register at run time does not reset the debouncer.

APPLICATION NOTE: Clearing a bit in [VBUS Debounce Clear Enable Register \(VBUS_DBCLR_EN\)](#) shall cause the respective bit in [VBUS Match Register \(VBUS_MATCH\)](#) to be immediately updated upon a change in state of the associated threshold. This causes a state change in [VBUS Change Status Register \(VBUS_CHG_STS\)](#) and assertion of [VBUS_INT](#), if enabled. To prevent this, the [VBUS Match Register \(VBUS_MATCH\)](#) should be updated before the [VBUS Debounce Clear Enable Register \(VBUS_DBCLR_EN\)](#) by having the associated threshold cleared.

BITS	DESCRIPTION	TYPE	DEFAULT
7:6	RESERVED	RO	-
5	VBUS Debounce Clear Enable (VBUS3_DBCLR_DEB)	R/W	Note 9-6
4	VBUS Debounce Clear Enable (VBUS2_DBCLR_DEB)	R/W	Note 9-6
3	VBUS Debounce Clear Enable (VBUS1_DBCLR_DEB)	R/W	Note 9-6
2	VBUS Debounce Clear Enable (VBUS0_DBCLR_DEB)	R/W	Note 9-6
1	RESERVED	RO	-
0	VSAFE0V Debounce Clear Enable 9 (VSAFE0V_DBCLR_DEB)	R/W	Note 9-6

Note 9-6 The default depends on the device's configuration, as shown in [table Table 9-11](#) which depends upon [CFG_SEL0](#) pin.

TABLE 9-11: VBUS_DBCLR_EN DEFAULTS

Configuration	Bit 0	Bit 1	Bit 2	Bit 3	Bit 4	Bit 5	Bit 6	Bit 7
Standalone UFP (UPD360-A/UPD360-B only)	1	0	1	1	0	0	0	0
Standalone DFP (UPD360-A/UPD360-B only)	1	0	1	1	0	0	0	0
Other	0	0	0	0	0	0	0	0

9.12.19 CCX SAMPLE ENABLE REGISTERS (CCX_SAMP_EN)

Address: x=1: 081Dh Size: 8 bits
 x=2: 081Eh

BITS	DESCRIPTION	TYPE	DEFAULT
7:0	<p>CC Sample Enable (CC_SAMP_EN) When a bit is set, the respective CC threshold will be sampled by the CC debouncer. When a bit cleared to 0b, the corresponding bit(s) in the CCx Match Registers (CCx_MATCH) and CCx Change Status Registers (CCx_CHG_STS) will always read 0b.</p> <p>This register enables a reduction in latency for taking threshold measurements by only having thresholds of interest being sampled.</p> <p>Note: For standalone DFP/UFP operation this register may remain set to FFh, as latency for sampling CC thresholds in this case is not a limitation.</p> <p>Note: This register must be used to implement Collision Avoidance.</p>	R/W	FFh

UPD360

9.12.20 CC CONTROL REGISTER (CC_CTL)

Address: [0820h](#) Size: 16 bits

The register controls the pull-down resistors and current sources on the respective CC1/CC2 pin.

Bits	Description	Type	Default
15	<p>RA Detect When set, indicates that an RA resistor has been detected.</p> <p>This bit is set by the device when Standalone Operation is configured for standalone mode. The device updates this field after an attach has been detected.</p>	R/WC	0b
14:13	<p>CC Comparator Control 00b: CC Comparator and DAC powered-down 01b: CC Comparator samples CC1 10b: CC Comparator samples CC2 11b: CC Comparator samples CC1 and CC2</p> <p>Note: A sample is taken every 100 us. The current source reference shall also be powered down when a value of 00b is set.</p> <p>Note: This field is RO and the contents are 11b when standalone mode is enabled.</p> <p>Note: This field is used in conjunction with the CCx Sample Enable Registers (CCx_SAMP_EN) which constrains the number of thresholds monitored on the enabled CC pin(s).</p>	Note 9-7	00b
12	<p>CC Communication Select 0b: CC1 is used for baseband communication. 1b: CC2 is used for baseband communication.</p> <p>This bit is set by the device when Standalone Operation is configured for standalone mode. The device updates this field after an attach has been detected.</p> <p>This bit is RO and reflects the state determined by the internal logic. In standalone mode, this bit matches the state of the ORIENTATION pin (<i>UPD360-A/UPD360-B only</i>).</p>	Note 9-7	0b
11:10	<p>CC2 RP Value 00b: RP current source disabled 01b: RP current source enabled, default USB power 10b: RP current source enabled, 1.5A 11b: RP current source enabled, 3.0A</p> <p>Controls RP value on CC2 pin.</p>	R/W	00b Note 9-8
9:8	<p>CC1 RP Value 00b: RP current source disabled 01b: RP current source enabled, default USB power 10b: RP current source enabled, 1.5A 11b: RP current source enabled, 3.0A</p> <p>Controls RP value on CC1 pin.</p>	R/W	00b Note 9-8

Bits	Description	Type	Default
7:6	<p>DFP Current Advertisement When Standalone Operation is configured for standalone mode and the device is configured as UFP, Device Role, this field indicates the DFP's advertised current. Otherwise this field shall be read back 00b.</p> <p>The device updates this field after an attach has been detected.</p> <p>0xb: RP current advertises default USB current 10b: RP current advertises 1.5A 11b: RP current advertises 3.0A</p>	RO	00b
5	RESERVED	RO	-
4:3	<p>CC2 Pull-Down Value 00b: Dead battery RD resistor selected 01b: Trimmed RD resistor selected 10b: Trimmed RA resistor selected. 11b: Open Disconnect.</p>	R/W	Note 9-9
2	RESERVED	RO	-
1:0	<p>CC1 Pull-Down Value 00b: Dead battery RD resistor selected 01b: Trimmed RD resistor selected 10b: Trimmed RA resistor selected. 11b: Open Disconnect.</p>	R/W	Note 9-9

Note 9-7 This bit is RO when operating in standalone mode. Otherwise it is R/W.

Note 9-8 This field's default is a function of the **PWR_CAP0** and **PWR_CAP1** pins when in standalone DFP mode (see [Section 9.8.1, "Configuration Selection"](#)) (*UPD360-A/UPD360-B only*). Otherwise the default is 00b.

Note 9-9 For standalone DFP and standalone UFP, the value is 00b until the system reset completes. Afterwards, the default for standalone DFP is 11b and for standalone UFP is 01b.

9.12.21 CC THRESHOLD X REGISTERS (CC_THRX)

Address: x=0: [0822h](#) Size: 16 bits
 x=1: [0824h](#)
 x=2: [0826h](#)
 x=3: [0828h](#)
 x=4: [082Ah](#)
 x=5: [082Ch](#)
 x=6: [082Eh](#)
 x=7: [0830h](#)

Bits	Description	Type	Default
15:10	RESERVED	RO	-
9:0	<p>CC Threshold X (CC_THRX) CC Threshold X register.</p> <p>Note: The units of this register are ~2.44 mV from a 2.5V/1024.</p> <p>Note: This register must not be modified while the CC debouncer is enabled.</p>	R/W	Note 9-10

Note 9-10 The default varies as shown in [Table 9-12](#).

UPD360

TABLE 9-12: CC_THR DEFAULTS

CC_THR	Type-C Threshold	R/2R Divider	VALUE
0	0.2	0.13	55
1	0.4	0.27	109
2	0.66	0.44	180
3	0.8	0.53	219
4	1.23	0.82	336
5	1.6	1.07	437
6	2.6	1.73	710
7	3	2	820

APPLICATION NOTE: The CC Comparator must be powered down before updating these registers.

9.12.22 CC DEBOUNCE REGISTER (CC_DEB)

Address: [0832h](#) Size: 8 bits

Bits	Description	Type	Default
7:0	<p>CC Debounce (CC_DEB) Period used for implementing $t_{CCDebounce}$.</p> <p>Note: This register must not be modified while the CC debouncer is enabled.</p> <p>Note: This register has units of 10 ms.</p>	R/W	Fh

9.12.23 VBUS CONTROL REGISTER (VBUS_CTL)

Address: [0840h](#) Size: 16 bits

Bits	Description	Type	Default
15:12	RESERVED	RO	-
11	<p>CC Back-Drive Enable Enables the monitoring of the back-drive condition on both CC pins.</p> <p>When back-drive is detected, if the VCONN FET is enabled on the erred CC pin, it shall be automatically disabled.</p> <p>0b: CC Back-Drive disabled 1b: CC Back-Drive enabled</p>	R/W	Note 9-11
10	<p>IBUS_LOW Determines whether IBUS Low is asserted during standalone mode when PPC's DISCH_SEL is cleared and a VBUS discharge is occurring.</p> <p>0b: Do not assert IBUS Low 1b: Assert IBUS Low</p>	R/W	0b

Bits	Description	Type	Default
9:8	<p>OCS_MIN Defines the minimum guaranteed assertion time for OCS_N when operating in standalone DFP mode (<i>UPD360-A/UPD360-B only</i>).</p> <p>00b: 5 ms 01b: 10 ms 10b: 20 ms 11b: 30 ms</p>	R/W	00b
7	<p>VBUS_DB_ACTIVE When this bit reads back 0b, the debouncer is disabled. The VBUS debouncer is enabled when it reads back 1b.</p> <p>Note: Firmware polls this bit to determine when debouncer is disabled and a new configuration may be programmed.</p>	RO	0b
6	<p>VCONN OCS Enable Enables the monitoring of over current condition on the internal VCONN FETs.</p> <p>0b: VCONN OCS monitor is disabled 1b: VCONN OCS monitor is enabled</p>	R/W	Note 9-11
5:4	<p>VCONN Discharge Control This field determines the VCONN discharge behavior. It only has meaning in DFP standalone mode and should not be used by firmware when operating in companion mode.</p> <p>The discharge occurs on the CC pin that was supplying VCONN.</p> <p>00b: Discharge VCONN until either the threshold defined by the VCONN Discharge Threshold Register (VCONN_DIS_THR) is reached or the time specified by the VCONN Discharge Time Register (VCONN_DIS_TIME) has expired.</p> <p>01b: VCONN discharge is not supported.</p> <p>10b: Discharge VCONN until threshold defined by VCONN Discharge Threshold Register (VCONN_DIS_THR) is reached.</p> <p>11b: Discharge VCONN for the time specified by VCONN Discharge Time Register (VCONN_DIS_TIME).</p> <p>Note: For options 0xb a VCONN discharge error is detected if the timer expires and VCONN has not discharged below VCONN Discharge Time Register (VCONN_DIS_TIME).</p>	R/W	00b
3	<p>VCONN2 Control Enables the VCONN2 FET.</p> <p>0b: VCONN2 FET is disabled 1b: VCONN2 FET is enabled</p> <p>This bit has no meaning when in standalone mode (see Standalone Operation).</p> <p>This bit automatically clears when a debounce VCONN OCS event occurs per the assertion of VCONN Discharge Error (VCONN_DISCH_ERR).</p>	R/W	0b

UPD360

Bits	Description	Type	Default
2	<p>VCONN1 Control Enables the VCONN1 FET.</p> <p>0b: VCONN1 FET is disabled 1b: VCONN1 FET is enabled</p> <p>This bit has no meaning when in standalone mode (see Standalone Operation).</p> <p>This bit automatically clears when a debounce VCONN OCS event occurs per the assertion of VCONN Discharge Error (VCONN_DISCH_ERR)</p>	R/W	0b
1:0	<p>VBUS Comparator Control 00b: Comparator and DAC disabled 01b: Sample VBUS 10b: Sample CFG_SEL0 11b: Sample CFG_SEL1 (<i>UPD360-A/UPD360-B only</i>)</p> <p>After the sample of CFG_SEL0 or CFG_SEL1 has completed, this register resets itself to 00b and disables the VBUS comparator.</p> <p>Note: This field is forced to 01b by hardware when operating as a standalone UFP.</p>	Note 9-12	00b

Note 9-11 This default value is 1 when operating in standalone DFP mode. Otherwise, the default value is 0.

Note 9-12 This field is RO and reads back 01b when operating in UFP standalone mode. In standalone mode this value does not indicate that VBUS is being actively measured. Whether or not VBUS is being actively measured can be determined by reading [VBUS_DB_ACTIVE](#).

9.12.24 VBUS THRESHOLD X REGISTERS (VBUS_THRX)

Address: x=0: [0842h](#) Size: 16 bits
 x=1: [0844h](#)
 x=2: [0846h](#)
 x=3: [0848h](#)

Bits	Description	Type	Default
15:10	RESERVED	RO	-
9:0	<p>VBUS Threshold X (VBUS_THRX) VBUS Threshold X register.</p> <p>The lower byte of the threshold must be written before the upper byte. The entire 10-bit threshold is updated when the second write occurs.</p> <p>Note: The units of this register are ~2.44 mV from a 2.5V FS.</p>	R/W	Note 9-13

Note 9-13 The defaults are defined in [Table 9-13](#).

TABLE 9-13: VBUS_THR DEFAULTS

VBUS_THR	VBUS Threshold	1R/9R Divider	VALUE
0	3.67	0.36	148
1	5.5	0.54	222
2	5.5	0.54	222
3	5.5	0.54	222

9.12.25 VBUS DEBOUNCE REGISTER (VBUS_DEB)

Address: 084Ah Size: 8 bits

This register has units of 1 ms.

Bits	Description	Type	Default
7:0	VBUS Debounce (VBUS_DEB) Indicates debounce interval for the VBUS threshold comparators. Note: This register must not be modified while the VBUS debouncer is enabled.	R/W	1h

9.12.26 VBUS OFF REGISTER (VBUS_OFF)

Address: 084Bh Size: 8 bits

This register has units of 10 ms.

Bits	Description	Type	Default
7:0	VBUS Off Defines timing after VBUS_DET discharges below VSafe0V.	R/W	10h

9.12.27 VBUS ERROR REGISTER (VBUS_ERR)

Address: 084Ch Size: 8 bits

Bits	Description	Type	Default
7:3	RESERVED	RO	-
3	VCONN Discharge When set the VBUS Discharge error shall be enabled to place the device in the error state.	R/W	0b
2	VBUS Discharge When set, the VBUS Discharge error shall be enabled to place the device in the error state. Note: This bit is not applicable when the PPC is selected for VBUS discharge.	R/W	0b
1	VCONN OCS When set, the CC OCS error shall be enabled to place the device in the error state.	R/W	0b
0	CC Back-drive When set, the CC back-drive error shall be enabled to place the device in the error state.	R/W	0b

UPD360

9.12.28 VBUS VSAFE0V THRESHOLD REGISTER (VSAFE0V_THR)

Address: 084Eh Size: 16 bits

BITS	DESCRIPTION	TYPE	DEFAULT
15:10	RESERVED	RO	-
9:0	VSAFE0V Threshold (VSAFE0V_THR) VSAFE0V Threshold register. The lower byte of the threshold must be written before the upper byte. The entire 10-bit threshold is updated when the second write occurs. Note: The units of this register are ~2.44 mV from a 2.5V FS.	R/W	Note 9-14

Note 9-14 The defaults are defined in [Table 9-14](#).

TABLE 9-14: VSAFE0V_THR DEFAULTS

VSAFE0V_THR	VBUS Threshold	1R/9R Divider	VALUE
VSAFE0V_THR	0.8	0.08	32

APPLICATION NOTE: This register may be dynamically written to by software while the VBUS comparator is enabled, provided the rules for updating defined in the register description are followed.

9.12.29 CFG_SELX MATCH REGISTERS (CFG_SELX_MATCH)

Address: x=0: 0850h x=1: 0852h Size: 16 bits

Bits	Description	Type	Default
15:0	Configuration Select X Match (CFG_SELX_MATCH) Indicates which configuration select thresholds are matched on the CFG_SELx pin. A match is determined when the measured voltage exceeds the programmed threshold. See Section 9.8.1, "Configuration Selection," on page 81 .	RO	0h

9.12.30 CFG_SEL THRESHOLD X REGISTERS (CFG_SEL_THRX)

Address:	x=0: 0854h	Size:	16 bits
	x=1: 0856h		
	x=2: 0858h		
	x=3: 085Ah		
	x=4: 085Ch		
	x=5: 085Eh		
	x=6: 0860h		
	x=7: 0862h		
	x=8: 0864h		
	x=9: 0866h		
	x=10: 0868h		
	x=11: 086Ah		
	x=12: 086Ch		
	x=13: 086Eh		
	x=14: 0870h		
	x=15: 0872h		

A total of 16 thresholds are supported for decoding the resistor value on the CFG_SELx pins.

Bits	Description	Type	Default
15:10	RESERVED	RO	-
9:0	CFG_SEL Threshold (CFG_SEL_THR) Note: The units of this register are ~2.44 mV from a 2.5V FS.	R/W	Note 9-15

Note 9-15 The defaults are defined in [Table 9-15](#).

TABLE 9-15: CFG_SEL_THR DEFAULTS

CFG_SEL_THR	Default
0	32
1	96
2	160
3	224
4	288
5	352
6	416
7	480
8	544
9	608
10	672
11	736
12	800
13	864
14	928
15	992

UPD360

9.12.31 CFG_SEL DEBUG REGISTER (CFG_SEL_DBG)

Address: 0874h Size: 8 bits

Bits	Description	Type	Default
7:4	CFG_SEL1_VAL This register stores a snapshot of the highest threshold matched when the device samples the CFG_SEL1 pin after a system level reset event (<i>UPD360-A/UPD360-B only</i>).	RO	0h
3:0	CFG_SEL0_VAL This register stores a snapshot of the highest threshold matched when the device samples the CFG_SEL0 pin after a system level reset event.	RO	0h

9.12.32 VCONN DISCHARGE THRESHOLD REGISTER (VCONN_DIS_THR)

Address: 0886h Size: 16 bits

Bits	Description	Type	Default
15:10	RESERVED	RO	-
9:0	VCONN Discharge Threshold (VCONN_DIS_THR) This register defines the threshold used in standalone DFP mode for discharging VCONN. Note: The units of this register are ~2.44 mV from a 2.5V/1024.	R/W	41h Note 9-16

Note 9-16 41 equates to 150mV after accounting for the R/2R divider.

9.12.33 VCONN DISCHARGE TIME REGISTER (VCONN_DIS_TIME)

Address: 0888h Size: 16 bits

Bits	Description	Type	Default
7:0	VCONN Discharge Time (VCONN_DIS_TIME) Defines the amount of time the CC pin supplying VCONN is discharged. Note: The units of this register are 10 ms.	R/W	04h

10.0 BASEBAND CC INTERFACE (BCI)

The device integrates a Baseband CC Interface (BCI) to facilitate USB Power Delivery communication. This module bridges between the PD MAC/BMC and the analog front end. Baseband communication is initiated by the PD MAC, which interfaces to the BCI. The BCI implements the digital functions required to control TX baseband components.

10.1 Baseband TX Data-flow

The key responsibility of the BCI is to generate the wave form required for baseband communication. To this end, the BMC has a group of eight registers that define the Lo-Hi and Hi-Lo transitions for the generated BMC signal.

When instructed to transition from Lo-Hi, the BCI steps through all [BB TX Risex Registers \(BB_RX_RISEx\)](#). Likewise when instructed to transition from Hi-Lo, the BCI steps through all [BB TX Fallx Registers \(BB_TX_FALLx\)](#). The BCI always presents the value at BB_TX_RISE0 or BB_RX_FALL0 first.

APPLICATION NOTE: The user may replicate values if it is desired to use less than twelve unique values for this purpose.

The following steps should be followed to program the BCI for data transmission:

1. Software programs the [BB TX Risex Registers \(BB_RX_RISEx\)](#) and [BB TX Fallx Registers \(BB_TX_FALLx\)](#) to define the slew rate for rising and falling transitions.
2. Software enables the PD MAC.
3. The PD MAC initiates, either via firmware, or autonomously via a data transmission (GoodCRC). The PD MAC instructs the BCI to take the BB TX analog components out of power-down.
4. After a sufficient time elapses for the analog to power up, the PD MAC begins transmission to the BMC encoder which drives the analog components.
5. If the MAC requests a rising transition, the BCI steps through the [BB TX Risex Registers \(BB_RX_RISEx\)](#). Alternatively, if the MAC requests a falling transition, the BCI steps through the [BB TX Fallx Registers \(BB_TX_FALLx\)](#).
6. When the PD MAC indicates the transmission has completed, the BCI powers down the TX analog components.

10.2 Baseband RX Data-flow

Baseband RX data is received by the BCI from the RX analog front end where it is compared to a threshold programmed by software. The [CC RX DAC Value](#) defines the trip point used for reception of baseband data. The field shall be programmed to be 175 mV below the RX Eye center, as defined in the PD Specification for the mode in which the device is operating (Sourcing Power, Sinking Power, Power Neutral).

In order to program the required trip point, the [RX DAC Enable](#) bit must be set and the [CC RX DAC Value](#) field in the [CC RX DAC Control Register \(CC_RX_DAC_CTL\)](#) must be programmed.

UPD360

10.3 Baseband CC Interface Registers

This section details the baseband CC interface registers. For an overview of the entire device register map, refer to [Section 4.0, "Register Map,"](#) on page 19.

TABLE 10-1: BASEBAND CC INTERFACE REGISTER MAP

Address	Register Name (Symbol)
2800h	CC RX DAC Control Register (CC_RX_DAC_CTL)
2802h	CC RX DAC Filter Register (CC_RX_DAC_FILT)
2803h	Reserved for future expansion
2804h	CC TX DAC Filter Register (CC_TX_DAC_FILT)
2805h – 280Fh	Reserved for future expansion
2810h	BB TX Risex Registers (BB_RX_RISEx) x=0
2812h	BB TX Risex Registers (BB_RX_RISEx) x=1
2814h	BB TX Risex Registers (BB_RX_RISEx) x=2
2816h	BB TX Risex Registers (BB_RX_RISEx) x=3
2818h	BB TX Risex Registers (BB_RX_RISEx) x=4
281Ah	BB TX Risex Registers (BB_RX_RISEx) x=5
281Ch	BB TX Risex Registers (BB_RX_RISEx) x=6
281Eh	BB TX Risex Registers (BB_RX_RISEx) x=7
2820h	BB TX Risex Registers (BB_RX_RISEx) x=8
2822h	BB TX Risex Registers (BB_RX_RISEx) x=9
2824h	BB TX Risex Registers (BB_RX_RISEx) x=10
2826h	BB TX Risex Registers (BB_RX_RISEx) x=11
2828h – 282Fh	Reserved for future expansion
2830h	BB TX Fallx Registers (BB_TX_FALLx) x=0
2832h	BB TX Fallx Registers (BB_TX_FALLx) x=1
2834h	BB TX Fallx Registers (BB_TX_FALLx) x=2
2836h	BB TX Fallx Registers (BB_TX_FALLx) x=3
2838h	BB TX Fallx Registers (BB_TX_FALLx) x=4
283Ah	BB TX Fallx Registers (BB_TX_FALLx) x=5
283Ch	BB TX Fallx Registers (BB_TX_FALLx) x=6
283Eh	BB TX Fallx Registers (BB_TX_FALLx) x=7
2840h	BB TX Fallx Registers (BB_TX_FALLx) x=8
2842h	BB TX Fallx Registers (BB_TX_FALLx) x=9
2844h	BB TX Fallx Registers (BB_TX_FALLx) x=10
2846h	BB TX Fallx Registers (BB_TX_FALLx) x=11
2848h – 2BFh	Reserved for future expansion

Note: RESERVED address space must not be written under any circumstances. Failure to heed this warning may result in untoward operation and unexpected results.

10.3.1 CC RX DAC CONTROL REGISTER (CC_RX_DAC_CTL)

Address: 2800h Size: 16 bits

Bits	Description	Type	Default
15	RX DAC Enable 0: Disable the CC RX DAC 1: Enable the CC RX DAC	R/W	0b
14:10	RESERVED	RO	-
9:0	CC RX DAC Value This register defines the trip point used for reception of baseband data. Note: The full scale range of this DAC is 1.8V. Note: The DAC must be programmed to be 175mV below the desired RX Eye center.	R/W	0h

10.3.2 CC RX DAC FILTER REGISTER (CC_RX_DAC_FILTER)

Address: 2802h Size: 8 bits

Bits	Description	Type	Default
7:2	RESERVED	RO	-
1	Select CC Rx Filter Configuration	R/W	0b
0	CC RX DAC Filter Enable	R/W	0b

10.3.3 CC TX DAC FILTER REGISTER (CC_TX_DAC_FILTER)

Address: 2804h Size: 8 bits

Bits	Description	Type	Default
7:5	RESERVED	RO	-
4	CC TX Filter Enable Enables CC TX filter and driver.	R/W	0
3:0	CC TX Filter Selects CC TX filter bandwidth.	R/W	8h

UPD360

10.3.4 BB TX RISEX REGISTERS (BB_RX_RISEX)

Address:	x=0: 2810h	Size:	16 bits
	x=1: 2812h		
	x=2: 2814h		
	x=3: 2816h		
	x=4: 2818h		
	x=5: 281Ah		
	x=6: 281Ch		
	x=7: 281Eh		
	x=8: 2820h		
	x=9: 2822h		
	x=10: 2824h		
	x=11: 2826h		

The BB TX Rise registers define the characteristics of the baseband waveform on rising transitions.

Bits	Description	Type	Default
15:10	RESERVED	RO	-
9:0	BB TX Rise Value Code presented to the CC TX DAC when implementing the rising transition for a baseband transmission.	R/W	0h

10.3.5 BB TX FALLX REGISTERS (BB_TX_FALLX)

Address:	x=0: 2830h	Size:	16 bits
	x=1: 2832h		
	x=2: 2834h		
	x=3: 2836h		
	x=4: 2838h		
	x=5: 283Ah		
	x=6: 283Ch		
	x=7: 283Eh		
	x=8: 2840h		
	x=9: 2842h		
	x=10: 2844h		
	x=11: 2846h		

The BB TX Fall registers define the characteristics of the baseband waveform on rising transitions.

Bits	Description	Type	Default
15:10	RESERVED	RO	-
9:0	BB TX Fall Value Code presented to the CC TX DAC when implementing the falling transition for a baseband transmission.	R/W	0h

11.0 POWER DELIVERY MAC

The PD MAC implements certain features of the protocol layer and physical layer of the Universal Serial Bus Power Delivery Specification. On one end the PD MAC interfaces to the software implementing the bulk of protocol and higher level layers and on the other end it interfaces to a BMC encoder / decoder module.

In addition to the normal TX and RX functions, the PD MAC implements the test mode logic defined in the USB PD specification (BIST).

The PD MAC supports the following features:

- Automatic TX Mode for packet framing and CRC32 insertion.
- Raw TX Mode for bit level packet control.
- Automatic GoodCRC response to received messages.
- Automatic BIST Error Count Message in BIST RX Mode.
- GoodCRCTimer implementation.
- Automatic retries with programmable retry count.
- Redundant receive packets automatically dropped in auto response mode.
- 74 byte TX queue.
- 128 byte RX queue.
- Programmable TX Bit-time. Allows for changing operating frequency.
- Programmable preamble length.
- BIST TX and RX logic.
- Programmable TX and RX queue modes - buffer mode and FIFO mode.
- CRC32 generator for TX.
- CRC32 calculator and comparator for RX.

11.1 PD MAC Transmitter

The PD MAC transmitter is comprised of three major blocks:

- [TX Queue](#)
- [TX Control](#)
- [TX Comm](#)

The TX Queue is where software loads the message to be transmitted.

The TX Control implements the necessary control logic. It is responsible for reading the data from the TX queue and based on the data processing mode (automatic or raw), processing the data to make it suitable (nibbles with control information) for use by the TX Comm. It is also responsible for generating packet framing and terminating the packet in automatic mode, and generating messages for automatic response (GoodCRC and BIST Error Count). TX Control also handles the selection of the SOP type that is to be transmitted.

The TX Comm is comprised of a TX CRC generator, a 4b5b encoder, serializer, preamble generator, and TX bit timer. It takes the nibble data, computes and inserts the CRC, 5b encodes, and generates the baseband serial data. Preamble insertion is also performed by this logic.

The following sub-sections describe the various blocks and sub-blocks in more detail. Some of the supported TX features are also described.

11.1.1 TX QUEUE

The TX Queue is where software loads the message to be transmitted. The following sub-sections describe the TX Queue in more detail.

11.1.1.1 TX Queue Modes of Operation

The TX Queue's write interface (MCU side) has two modes of operation: FIFO Mode and Buffer Mode.

11.1.1.1.1 FIFO Mode

This mode is enabled by setting the [EN_FMQ](#) bit in the [TX Control Register A \(TX_CTL_A\)](#). In this mode, software writes data into the TX Queue like a FIFO. Software can use any offset address in the range of 1800h-1849h (although 1800h would be logical to use). The FIFO is 74 entries deep. Data written to the FIFO cannot be read back by software.

UPD360

11.1.1.1.2 Buffer Mode

This mode is selected when the [EN_FMQ](#) bit in the [TX Control Register A \(TX_CTL_A\)](#) is cleared (default after POR). In this mode, software writes data into the TX Queue as if it were writing to registers at different addresses. The offset address range is 1800h-1849h and the buffer has 74 locations.

Only byte access should be used while accessing the TX Queue in this mode. Note that buffer offset address 1800h contains the least-significant-byte (LSB) (byte that goes out first). Buffer offset address 0x049 has the most-significant-byte (MSB) (byte that goes out last).

Software can arbitrarily write or read any location in the buffer. Only one packet can be queued into the TX Queue at one time. Queuing of multiple packets is not supported.

11.1.1.2 TX Queue Data and Processing Modes

The data placed in the TX Queue depends on the selected processing mode. Two modes are supported: “Auto Mode Data Processing” (AMDP) and “Raw Mode Data Processing” (RMDP).

11.1.1.2.1 Auto Mode Data Processing (AMDP)

This mode is selected by clearing the [EN_RMDP](#) bit in the [TX Control Register A \(TX_CTL_A\)](#). In this mode, only the message data (header and data objects) to be transmitted is queued in the TX Queue. Further, the data is queued as bytes. Since there is no framing information with the data, the [TX Packet Length Register \(TX_PKT_LEN\)](#) is used to provide information about the length of message data. Hardware uses this information to determine when and where to append the CRC. Packet framing (preamble, SOP, and EOP) is automatically inserted by the hardware.

11.1.1.2.2 Raw Mode Data Processing (RMDP)

This mode is selected by setting the [EN_RMDP](#) bit in the [TX Control Register A \(TX_CTL_A\)](#). In this mode, software is responsible for constructing the entire packet including framing, except the preamble and CRC. Since framing involves K-codes, the data placed in the queue is coded with control information. The data in each byte of the queue is treated as a “nibble” of packet data that either needs to be 5b encoded by hardware or a K-codes that should be transmitted without any 5b encoding. There are also some special control bytes to control insertion of CRC and termination of packet.

When `tx_queue_data[5]` is “0” then `tx_queue_data[3:0]` is treated as 4b regular data. This 4b data goes through the CRC32 generator for CRC calculation and is encoded to 5b per Table 5-1 of USB PD Specification R1.0 ([Table 11-1](#) shows the 4b5b encoding).

When `tx_queue_data[5]` is “1” then `tx_queue_data[4:0]` is treated as 5b K-code (see [Table 11-1](#)). This data is eliminated from the CRC calculation and does not go through any further encoding prior to transmission.

The `tx_queue_data[7:0]` values of 8'hFF and 8'hFE have special meaning. 8'hFF implies that the packet data is done and hardware should now insert the calculated CRC32 (`TX_INS_CRC`). 8'hFE implies that the transmission should be stopped immediately (`TX_STOP`).

Note that in RMDP, software can compute its own CRC and place it in the Queue as encoded data. In this case, the `TX_INS_CRC` code would not be added to the Queue and instead software would proceed with adding the EOP and terminating the transfer with `TX_STOP`.

[Table 11-1](#) shows how the byte wide queued data is interpreted or encoded by the transmission logic in raw mode.

TABLE 11-1: RAW MODE DATA ENCODING

tx_queue_data[5:0]	Encoded Symbol	tx_queue_data[5:0]	Encoded Symbol
6'h00	5'b11110	6'h08	5'b10010
6'h01	5'b01001	6'h09	5'b10011
6'h02	5'b10100	6'h0A	5'b10110
6'h03	5'b10101	6'h0B	5'b10111
6'h04	5'b01010	6'h0C	5'b11010
6'h05	5'b01011	6'h0D	5'b11011
6'h06	5'b01110	6'h0E	5'b11100
6'h07	5'b01111	6'h0F	5'b11101

tx_queue_data[5:0]	K-Code	Transmitted Data
6'b1_11000	Sync-1	5'b11000
6'b1_10001	Sync-2	5'b10001
6'b1_01101	EOP	5'b01101
6'b1_00111	RST1	5'b00111
6'b1_11001	RST2	5'b11001

tx_queue_data[5:0]	Special Meaning
8'hFE	TX_STOP
8'hFF	TX_INS_CRC

Note that the tx_queue_data[4:0] is passed as-is when tx_queue_data[5] is set to 1. Thus, software can send reserved symbols for error testing. The only caveat is that hardware cannot be used to generate and insert CRC. In this case, software should compute the necessary CRC32 and add it the data packet and skip the 0xFF code in the queue for CRC insertion.

11.1.1.2.3 TX Queue Programming Sequence - AMDP

The following sequence should be used when programming a sequence in AMDP. This example assumes hardware performs packet framing and CRC insertion.

1. Make sure the **GO** bit in the **TX Control Register B (TX_CTL_B)** is cleared, i.e., hardware is done with previous TX request.
2. If using FIFO mode, clear the TX Queue WRI pointer by writing a "1" to the **RST_TXQ_FIFO_WRI_PTR** bit of the **TX Control Register B (TX_CTL_B)**.
3. Write the two header bytes.
4. Write the payload data, if any.
5. Write the number of bytes to the **TX Packet Length Register (TX_PKT_LEN)**.
6. Check to see if it is OK to transmit via the **OK_TO_TX** bit in the **TX Control Register B (TX_CTL_B)**.
7. If **OK_TO_TX**: set the **GO** bit in the **TX Control Register B (TX_CTL_B)** to start transmission.
Else: repeat step 6. Note: If an RX is in progress, the current TX may need to be abandoned.

UPD360

11.1.1.2.4 TX Queue Programming Sequence - RMDP

The following sequence should be used when programming a sequence in RMDP. This example assumes hardware performs CRC insertion.

1. Make sure the **GO** bit in the **TX Control Register B (TX_CTL_B)** is cleared, i.e., hardware is done with previous TX request.
2. If using FIFO mode, clear the TX Queue WRI pointer by writing a “1” to the **RST_TXQ_FIFO_WRI_PTR** bit of the **TX Control Register B (TX_CTL_B)**.
3. Write the SOP K-Codes to the FIFO *Sync-1, Sync-1, Sync-1, Sync-2).
4. Write two header bytes, splitting each byte into nibbles.
5. Write the payload data, if any, splitting each byte into nibbles.
6. Write the value “0xFF” to insert the CRC.
7. Write the EOP K-Code (EOP).
8. Write the value “0xFE” to terminate the transmission. Failure to write this value will cause transmission to continue indefinitely looping on the TX buffer.
9. Check to see if it is OK to transmit via the **OK_TO_TX** bit in the **TX Control Register B (TX_CTL_B)**.
10. If **OK_TO_TX**: set the **GO** bit in the **TX Control Register B (TX_CTL_B)** to start transmission.
Else: repeat step 9. Note: If an RX is in progress, the current TX may need to be abandoned.

Note: The value of the **TX Packet Length Register (TX_PKT_LEN)** is ignored for this mode since hardware knows when to terminate the packet based on detection of TX_STOP control code.

11.1.2 TX CONTROL

The TX Control implements the necessary control logic. It is responsible for reading the data from the TX queue and based on the data processing mode (automatic or raw), processing the data to make it suitable (nibbles with control information) for use by the TX Comm. It is also responsible for generating packet framing and terminating the packet in automatic mode, and generating messages for automatic response (GoodCRC and BIST Error Count). TX Control also handles the selection of the SOP type that is to be transmitted.

11.1.2.1 Transmit Requests

There are four sources of transmit requests:

- GoodCRC Ack from the receiver for a soft-reset
- GoodCRC Ack from the receiver for a normal packet
- BIST error count message from the BIST receiver
- Transmit go from the software

11.1.2.2 Transmit Aborts

Once packet transmission is initiated, the device will power up the analog and then wait for the bus turn-around timers and power-up timers to expire. During this wait, the transmission can be aborted by software and will be aborted by the device, when a good packet (including soft-reset), a hard reset, or a cable reset (if enabled and the SOP type of the pending TX is SOP', SOP'', SOP'_Debug or SOP''_Debug) is received.

Once the bus turn-around time has expired (or if it was already expired) and the power up time is expired, the bus is checked for idle. If the bus is idle, the transmission is started. If the bus is not idle, the transmission is discarded and, typically, an abort status set. This discard can be disabled with the **WAIT4LINE_IDLE** bit in the **TX Control Register A (TX_CTL_A)** for all packets and is also disabled for auto response triggered GoodCRC Acks for received soft-resets (unless the feature is disabled via the **DIS_SPCL_SR_GCRC_ACK** bit).

If the transmission is not discarded due to the bus being non-idle, the device waits for the bus to become idle and then, once again, waits the turn-around time. During the wait for bus idle, the transmission can be aborted by software and will be aborted by the hardware if a good packet, a hard reset or a cable reset (if enabled and the SOP type of the pending TX is SOP', SOP'', SOP'_Debug or SOP''_Debug) is received.

Software issued hard and cable resets are not aborted due to received good packets, hard resets or cable resets.

Note that for a received good packet to abort a pending transmission, the SOP type of the received packet must match the SOP type of the pending transmission, or the SOP type of the received packet must be SOP with the SOP type of the pending transmission being non-SOP (the latter can be disabled via the [DIS_SOP_ABRTS_NON_SOP](#) bit in the [TX Control Register A \(TX_CTL_A\)](#)) and, for messages other than Soft-Reset, the received message ID must indicate a non-duplicated packet (Soft-Resets are never considered duplicates). Ping and GoodCRC messages do not cause a transmission to abort.

Separate TX interrupt abort bits and separate abort status registers are provided for software issued and auto-response packets.

11.1.2.3 Transmit Retries

Transmitted packets are retried under two scenarios: bus idle violations, and GoodCRC response timeout.

If the transmission is discarded due to the bus being non-idle, the option exists to retry instead of treating it as an abort. In order for this to occur, the packet must have been initiated by software, not be a hard or cable reset, auto response mode must be enabled, the retry count must be non-zero, and the [RETRY_ON_LINE_BUSY](#) bit in the [TX Control Register A \(TX_CTL_A\)](#) must be set. If after the specified number of retries, the transmission failed due to bus busy, the [TX_FAILED](#) status is set (not [TX_ABORTED](#)). Hard and Cable resets are not retried.

Following the transmission of a software initiated frame (other than Hard and Cable resets), the device will start a timer and wait for a GoodCRC response to be indicated by the receiver. This assumes retries and / or the wait for GoodCRC are enabled.

If a GoodCRC is received with the correct SOP type and message ID, then the wait is finished and the transmission is done. If a GoodCRC is received with the wrong SOP type or message ID, it is ignored by the transmitter (the transmitter is not even notified) and silently dropped by the receiver.

If the wait for CRC timer expires and the remaining retry count is non-zero, the original packet is re-transmitted. If the remaining retry count is zero, then the packet is not retried and a failed status is indicated.

The wait for GoodCRC will be aborted if any of the following are received:

- A hard reset
- A cable reset (if cable reset reception is enabled and the SOP type of the pending TX is SOP', SOP'', SOP'_Debug or SOP''_Debug)
- A soft-reset (if the SOP type of the RX is the same as that of the pending TX or the SOP type of the RX is SOP with the SOP type of the pending transmission being non-SOP)
- A good packet other than a GoodCRC or Ping (if the SOP type of the RX is the same as that of the pending TX or the SOP type of the RX is SOP with the SOP type of the pending transmission being non-SOP (the latter can be disabled via the [DIS_SOP_ABRTS_NON_SOP](#) bit in the [TX Control Register A \(TX_CTL_A\)](#)) and the package is not a duplicate message)

The latter two causes are considered to be protocol errors.

The wait for GoodCRC can also be aborted by software. An aborted wait for GoodCRC is not retried.

11.1.2.4 Transmitter Disable

In order to avoid a race condition where the software is currently issuing a transmit and the hardware is receiving a packet, the [EN_FWTX](#) bit in the [TX Parameters Register A \(TX_PARAM_A\)](#) is automatically cleared if a hard reset to a cable reset (if enabled - no SOP type checking is done since a transmission may not be pending) has been received (based on the [RX_CABLE_RST](#) and [RX_HARD_RST](#) bits in the [RX Interrupt Status Register \(RX_IRQ_STAT\)](#)) or if there is any data in the RX FIFO. Using the interrupt and FIFO status (level sensitive) instead of the even occurrence (edge) avoids another race condition where the software has set the [EN_FWTX](#) bit just following the event.

11.1.3 TX COMM

The TX Comm is responsible for taking the coded nibbles from TX Control, encoding it if necessary, and serializing to make it ready for transmission. It is responsible for preamble insertion, CRC calculation, and CRC insertion. It also provides the TX clock signal for the BMC encoder.

11.1.3.1 Preamble Insertion

The device automatically adds the alternating “0” and “1” preamble to the transmitted packet. When the transmission of the preamble is completed, data from TX Queue is processed under direction of the TX Control.

UPD360

The number of preamble bits sent is programmable by the value of the [PREAMBLE_LEN](#) bit in the [TX Parameters Register B \(TX_PARAM_B\)](#).

Note: Setting the [PREAMBLE_LEN](#) field to an odd value will cause violation of the USB PD Specification which states "The preamble shall start with a "0" and shall end with a "1". An odd value will cause preamble to start with a value of "0" but it will also end in a value of "0." Setting this field to an odd value may or may not lead to functional issues. Therefore, this field should be set to an even value to remain USB PD Specification compliant.

11.1.3.2 TX CRC32

The transmit CRC is reset at the start of transmission (setting of the [GO](#) bit in the [TX Control Register B \(TX_CTL_B\)](#) or by triggering of automatic response by hardware).

The coded nibble data is streamed into the TX CRC32 one nibble at a time for CRC calculation. Only valid D-Code data is used in CRC calculation. All framing data (invalid D-Code) is excluded from CRC calculation.

Note: The CRC32 algorithm is described in the USB PD Specification.

11.1.3.3 TX Bit Timing

The baseband transmit signal bit time is controlled by the value in the [TX Bit-Time Count Register \(TX_BITTIME_CNT\)](#). This value determines the transmit data rate.

The count value is based on clock frequency and is given by:
 $((\text{Clock Freq KHz} / \text{Bit Rate Kbps}) - 1)$

For example:

Clock Frequency = 48000KHz (48MHz)
Nominal Bit Rate = 300 Kbps
 $\text{bit_time_cnt} = (48000 / 300) - 1 = 159$

11.1.4 AUTOMATIC RESPONSE MODE

The device supports an Automatic Response Mode (not to be confused with automatic-data processing mode). In this mode, the device will automatically send a GoodCRC message upon successful packet reception, or a BIST Error Count message upon reception of a BIST PRBS frame. This mode can be enabled by setting the [EN_AUTO_RSP_MODE](#) bit in the [TX Control Register A \(TX_CTL_A\)](#).

During normal auto-response, if the bus is found to be busy when the device attempts to send the auto-response (should not happen, except if there is noise) it will abort the transmission and the [AUTO_RSP_ABORTED](#) bit in the [TX Interrupt Status Register \(TX_IRQ_STAT\)](#) will be set. This behavior can be altered by setting the [WAIT4LINE_IDLE](#) bit in the [TX Control Register A \(TX_CTL_A\)](#). Setting this bit will force the device to wait until the bus becomes idle (refer to the [WAIT4LINE_IDLE](#) bit description for additional information). GoodCRCs and BIST Error Count messages are not retried even if [RETRY_ON_LINE_BUSY](#) in [TX_CTL_A](#) is set.

In USB Power Delivery Revision 1.0, Soft Reset had a one-strike rule and failure of Soft Reset led to Hard Reset, leading to the link being brought down, therefore the transmission of GoodCRC ACK in response to reception of Soft Reset is handled a little differently. If hardware finds that the line is busy when it attempts to send the GoodCRC ACK it will wait until the line becomes idle and then re-try the transmission. This process will happen indefinitely. This behavior is same as what happens to normal GoodCRC ACK when [WAIT4LINE_IDLE](#) bit is set. GoodCRCs are not retried even if the [RETRY_ON_LINE_BUSY](#) bit in the [TX Control Register A \(TX_CTL_A\)](#) is set. For USB Power Delivery Revision 3.0, Soft Resets are normally retried, therefore this function should be disabled via the [DIS_SPCL_SR_GCRC_ACK](#) bit.

The SOP type that is used for the automatically sent GoodCRC packet is the SOP type of the received packet (parsed by the receiver). The SOP type that is used for the BIST Error Count message, is selected via the [TX_SOP_SELECT](#) bit in the [TX Parameters Register A \(TX_PARAM_A\)](#).

For both GoodCRC and BIST Error Count messages, bit 8 in the packet header is taken from either the [PORT_POWER_ROLE](#) (for SOPs) or the [CABLE_PLUG](#) (for SOP', SOP" and _debugs) bits within the [TX Parameters Register C \(TX_PARAM_C\)](#), depending on the SOP type that was received. Bit 5 in the packet header is taken from either the [PORT_DATA_ROLE](#) bit (for SOPs) or set to zero (for SOP', SOP" and _debugs), depending on the SOP type that was received.

In order to avoid missing an auto response GoodCRC request, a flag is used. The flag is set with a request pulse from the receiver and is cleared when the response is sent or aborted. Along with the request flag being set, the SOP type and message ID of the request as well as the Soft Reset response indication are saved. In the event that there was a

pending auto response GoodCRC request and another packet was received resulting in another auto response GoodCRC request, the second request will replace the first request, unless the first request had a SOP type of SOP and the second request had a SOP type of SOP'_Debug or SOP''_Debug. This replacement occurs regardless of the setting of the [DIS_SOP_ABRTS_NON_SOP](#) bit in the [TX Control Register A \(TX_CTL_A\)](#). Even if a received packet does not abort a pending auto response, the pending auto response may get replaced by a new auto response.

11.1.5 AUTOMATIC RETRY MODE

The device also supports an Automatic Retry Mode. In this mode, when a GoodCRC message is not received in the appropriate time (i.e., before `CRCReceiveTimer` expires) the current message is retried.

Hardware will retry the message until the retry value specified in the [N_RETRY_CNT](#) field in the [TX Parameters Register C \(TX_PARAM_C\)](#) is satisfied. If the [N_RETRY_CNT](#) is set to zero, Automatic Retry Mode is disabled.

The number of retries used by the device to complete the transaction are tracked and made available to software via the [N_HW_RETRIES](#) field in the [TX Status Register \(TX_STAT\)](#).

An [N_RETRY_CNT](#) value of zero implies the message is attempted only once, i.e., hardware will not retry it. [N_RETRY_CNT](#) specifies the number of retries so the number of attempts is ([N_RETRY_CNT](#) + 1). Stated another way, if you want hardware to make "N" attempts to send a message then the [N_RETRY_CNT](#) field must be set to "N-1."

Reception of Hard Reset or Cable reset (when enabled and the SOP type of the pending TX is SOP', SOP'', SOP'_Debug or SOP''_Debug) from port partner, messages other than GoodCRC or Ping message (if the SOP types of the RX and TX match or if the SOP type of the RX is SOP with the SOP type of TX being non-SOP (the latter can be disabled via the [DIS_SOP_ABRTS_NON_SOP](#) bit in the [TX Control Register A \(TX_CTL_A\)](#)) and the packet was not a duplicate), or issuance of abort by software will terminate any pending auto retries.

Detection of bus collision will cause the device to abort the current transfer including any pending auto retries unless the [RETRY_ON_LINE_BUSY](#) bit in the [TX Control Register A \(TX_CTL_A\)](#) is set.

Note that disabling of automatic-retry by setting [N_RETRY_CNT](#) to zero will also disable the device's ability to wait for a GoodCRC message before a successful message transmission is indicated. This applies, for example, to the case when Soft Reset is transmitted. To circumvent this limitation, a [EXPECT_GOODCRC](#) bit in the [TX Parameters Register A \(TX_PARAM_A\)](#) is available. Setting this bit will cause the device to wait for a GoodCRC in response to a TX message, even when the [N_RETRY_CNT](#) field is set to zero.

Note: Setting [N_RETRY_CNT](#) to zero after the [GO](#) bit has been set will have no effect for the current transfer.

The expected message ID within the GoodCRC message is set by software via the [MSG_ID](#) field in the [TX Parameters Register A \(TX_PARAM_A\)](#). This is compared to the message ID within the received GoodCRC message.

The expected SOP type within the GoodCRC message is set by software via the [TX_SOP_SELECT](#) field in the [TX Parameters Register A \(TX_PARAM_A\)](#). This is compared to the SOP type received in the GoodCRC message. In order for the GoodCRC message to be received, it is assumed that the SOP type has been enabled via the [RX_SOP_ENABLE](#) field in the [RX Control Register B \(RX_CTL_B\)](#).

11.1.6 IFG TIMER

The TX turn-around timer is used to insure that a minimum bus idle time is guaranteed between packet reception and packet transmission, i.e., sending of GoodCRC message upon successful packet reception.

The value of this timer is programmable via the [TX Turnaround Time Register \(TX_TA_TIME\)](#). The value is specified in uSec. This timer uses the free-running 1us pulse so the value of this register should be 1 more than desired to ensure the minimum time.

11.1.7 CRC RECEIVE TIMER

This timer is enabled when the device is expected to wait for a GoodCRC ACK (i.e., automatic-retry mode is enabled by non-zero value in the [N_RETRY_CNT](#) field of the [TX Parameters Register C \(TX_PARAM_C\)](#) or if zero, [EXPECT_GOODCRC](#) bit in the [TX Parameters Register A \(TX_PARAM_A\)](#) is set) at the time transmission is requested. This timer can also be enabled for software usage via the [EN_CRC_RCV_TMR](#) bit in the [RX Control Register A \(RX_CTL_A\)](#).

If enabled, the timer starts whenever a TX packet transmission stops.

If software aborts a TX packet in between transmission with auto-retry mode enabled, this timer will not be triggered and will be disabled. If software aborts a TX packet with auto-retry disabled, then it should also disable the timer by clearing the [EN_CRC_RCV_TMR](#) bit in the [RX Control Register A \(RX_CTL_A\)](#).

UPD360

The timeout value for CRCReceiveTimer is programmable via the [TRECEIVE](#) field in the [RX tReceive Time Register \(RX_TRECEIVE_TIME\)](#) in multiples of 10 uSec.

This timer can be used by software as the BISTReceiveErrorTimer in the BIST TX mode (the device does not automatically time BISTReceiveError) and as the CRCReceiveTimer when not using automatic retry or wait for GoodCRC modes.

11.1.8 ABORTING A TX IN PROCESS

Software can abort a transmission that has already started by issuing an abort via the [ABORT](#) bit in the [TX Control Register B \(TX_CTL_B\)](#). The packet will be aborted as follows based on current phase of transmission:

- If packet transmission had not yet started because the device was waiting for the turn-around timer to expire or line to become idle, transmission will be aborted immediately.
- If the current phase is Preamble, the device will complete transfer of the current bit, append EOP, and turn the transmitter off.
- If the current phase is SOP, Data, or CRC, the device will complete transfer of the current nibble, append EOP, and turn the transmitter off.

A Hard Reset should follow this operation, which is the software's responsibility.

11.2 PD MAC Receiver

The PD MAC receiver is comprised of three major blocks:

- [RX Queue](#)
- [RX Control](#)
- [RX Comm](#)

The RX Queue is where software reads the received messages.

The RX Control implements the necessary control logic. It is responsible for validating the received packet, updating the RX Queue status, and triggering automatic responses, if required.

The RX Comm is comprised of the Clock and Data Recovery (CDR), RX DES (de-serializer) (serial-to-parallel converter, 4b5b decoder, and framing detector), RX CRC32 (CRC calculator, receive timer), and other logic to detect valid packet reception.

The following sub-sections describe the various blocks and sub-blocks in more detail.

11.2.1 RX QUEUE

The decoded RX data (header, data objects, and CRC) is saved into an integrated 128 byte RX FIFO. The RX FIFO that is capable of storing multiple packets and provides read and write pointers.

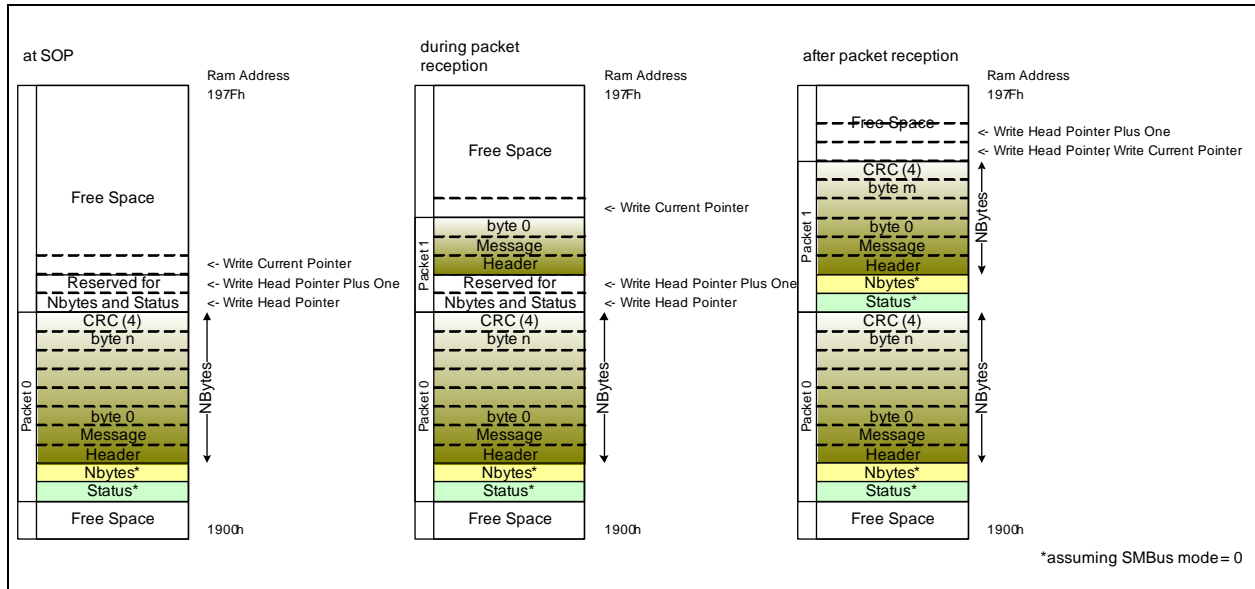
Two bytes are added to the beginning of each packet. Byte 0 holds the packet status (SOP type and the legacy "buffer" valid bit) and byte 1 holds the packet length. An option exists to swap these values (length in byte 0, status in byte 1) and add one to the packet length (to account for the status byte). This option is used for an SMBus like block read where the first byte read indicates the length of the transfer and the remaining bytes (the status and the packet) follow. Note that the packet includes the 4 byte CRC, which is included in the length.

The following sub-sections present details of how the write and read interfaces to the FIFO appear.

11.2.1.1 RX FIFO Write Interface

Figure 11-1 shows how the write interface (from receive hardware's perspective) appears at various points of reception.

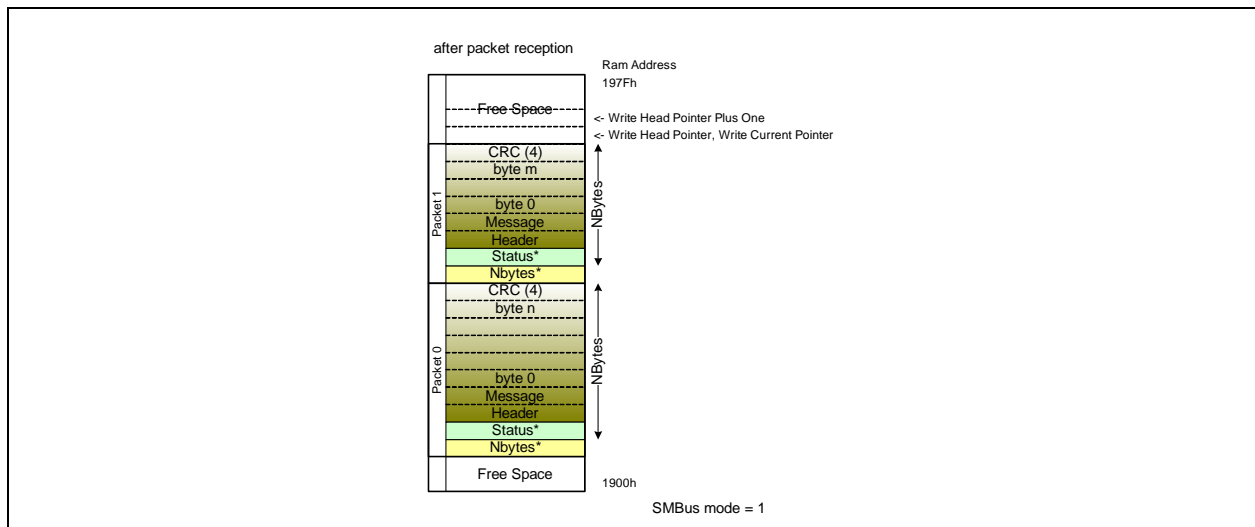
FIGURE 11-1: WRITE INTERFACE VIEW OF RX FIFO



Each RX Packet is comprised of two bytes of control information and the received packet data. The Status byte indicates whether the data is valid and the SOP type that was received. A value of 0x00 in the status byte implies that the data is not valid (including the NBytes field). When bit 0 of the status byte is 1'b1, the Nbytes field indicates the length of the packet and bits 6:4 of the status byte indicates the SOP type that was received. An empty FIFO always returns a value of 0x00. However, the status byte should not be polled, but rather the **RX_FIFO_NOT_EMPTY** bit in the **RX Interrupt Status Register (RX_IRQ_STAT)** should be used. The valid bit is retained for legacy compatibility. When software reads the packet data from the FIFO, it should only read number of bytes indicated by Nbytes (in addition to the Nbytes and Status entries). Note that the byte count indicated by Nbytes includes the CRC32 data.

When SMBus mode is enabled (via the **EN_SMBUS_MODE** bit in the **RX Control Register A (RX_CTL_A)**), the Status and Nbytes fields are swapped and Nbytes is incremented by 1 to include the status byte. The swapping makes the (not-recommended) polling of the Status byte impossible for this mode. When software reads the packet data from the FIFO, it should only read number of bytes indicated by NBytes (in addition to the Nbytes entry). Figure 11-2 details the format while in SMBus mode.

FIGURE 11-2: RX FIFO SMBUS MODE



UPD360

The packet status and NBytes format are shown in [Table 11-2](#) and [Table 11-3](#), respectively.

TABLE 11-2: RXQ STATUS FIELD

Bits	Description	Type
7	RESERVED Always reads 0.	RO
6:4	RX_SOP_TYPE This field indicates the SOP type that was received. 000b: SOP 001b: SOP' 010b: SOP'' 011b: SOP'_Debug 100b: SOP''_Debug 101b - 111b: Reserved	RO
3:1	RESERVED	RO
0	Status Status of queue data 0b: Data is invalid 1b: Data is valid	RO

TABLE 11-3: RXQ NUMBER OF BYTES (NBYTES) FIELD

Bits	Description	Type
0	NBYTES If EN_SMBUS_MODE is 0, this field represents the number of bytes of valid data in the packet. If EN_SMBUS_MODE is 1, this field represents the number of bytes of valid data in the packet plus 1.	RO

When the device detects valid start-of-packet (SOP) signaling, the current write pointer is set to the write head pointer plus 2. As packet data is received, it is written into the FIFO at the current write pointer and following each write the current write pointer is incremented. The current write pointer points to the next location to be written. Upon reaching the top of the RAM, the current write pointer wraps to 0. The byte count is maintained by the RX control block.

When a valid EOP is received and a good CRC residue is indicated by CRC logic, hardware will write the status (valid bit and received SOP type) to the location addressed by the write head pointer and the number of received bytes to the location addressed by the write head pointer plus one. SMBus mode will swap the data (and increment the number of bytes). Following the writing of the status and length, the write head pointer is updated to the current write pointer and the write head pointer plus one is updated to the current write pointer plus 1 (accounting for the wrap at the top of the RAM).

If a valid EOP is not received and the bus becomes idle, then an abnormal termination is detected. In this case, the packet is dropped, i.e., the device will not update the NBytes location or the Status location.

If a valid EOP is detected but the CRC generator indicates an invalid CRC, then the packet is corrupted. The device will drop the packet and not update the NBytes location or the Status location.

If a more data is received than will fit in the FIFO, then an overrun is detected. The excess data does not get written into the FIFO and the current write pointer is not incremented.

A separate test is made at the start of the packet to determine if there is sufficient room for the status and length bytes. In the event of a "no room for header" condition, an overrun is detected. The excess data does not get written into the FIFO and the current write pointer is not initialized.

If a packet has reached the maximum size allowed (as specified by the [RX Maximum Packet Size Register \(RX_MAX_SIZE\)](#)) and more data is received, then an oversize is detected. The excess data does not get written into the FIFO and the current write pointer is not incremented.

All pointers consist of a RAM address and a wrap indication. The wrap indication is toggled each time the pointer wraps past the top of the RAM. The wrap indication is used in the full, “no room for header” and empty comparisons to distinguish between the write pointers being a full RAM size ahead of the read pointer (full conditions in which case the wrap toggles would be opposite) and the write pointers being equal to the read pointer (empty condition in which case the wrap toggles would be equal).

All pointers and status bits are readable by the software. All pointers and wrap around status bits are writable by the software. Software is responsible for maintaining coherency between the pointer and the wrap toggle values.

The FIFO pointers can be reset by setting and clearing the [RST_RECEIVER](#) bit in the [RX Control Register A \(RX_CTL_A\)](#).

11.2.1.1.1 Duplicate/Repeated Packet Handling

When the device is setup for automatic-response (sending of GoodCRC message), it may receive a packet multiple times because the GoodCRC response was lost. If the original packet was received successfully then the subsequent messages of that SOP type with matching message IDs are automatically dropped.

What the device does depends on the CRC status from CRC generator at EOP. If the CRC is good and the message ID from current message matches that of the previous message (stored MSG_ID per SOP type), the device will not update the Packet's status and length locations nor will it update the write head pointer and write head pointer plus one. The FIFO space will be reclaimed at the start of the next packet. The [RX_PKT_DROPPED](#) bit in the [RX Error Interrupt Status Register \(RX_ERR_IRQ_STAT\)](#) will be set to indicate this condition. The device will then resend a GoodCRC response. If, however, the CRC generator indicates a bad CRC, or EOP is not received, the device will process the packet like a corrupted packet. The stored MSG_ID will not be updated.

Note that a duplicate packet is dropped if Automatic Retry was enabled, the transmitter was waiting for a GoodCRC and a message other than a GoodCRC was received (a protocol error).

The device maintains individual count of duplicate packets dropped ([RX Duplicate Packet Count Register \(RX_DUP_PKT_CNT\)](#)) and corrupt packets received ([RX BadCRC Packet Count Register \(RX_BADCRC_PKT_CNT\)](#)). If either of these counts exceed 127, the [DBG_EVENT](#) bit in the [RX Error Interrupt Status Register \(RX_ERR_IRQ_STAT\)](#) will be set.

11.2.1.1.2 GoodCRC Packet Storing and Dropping

In the case where Automatic Retry is enabled, and the transmitter was waiting for a GoodCRC, the GoodCRC response will be dropped. The device will not update the packet's status and length locations nor will it update the write head pointer and write head pointer plus one. The FIFO space will be reclaimed at the start of the next packet. Note that the GoodCRC response is dropped even if the SOP type or message ID did not match the expected value.

[Table 11-4](#) summarizes the conditions and results for storing or dropping good packets.

UPD360

TABLE 11-4: CONDITIONS AND RESULTS FOR DROPPING GOOD PACKETS

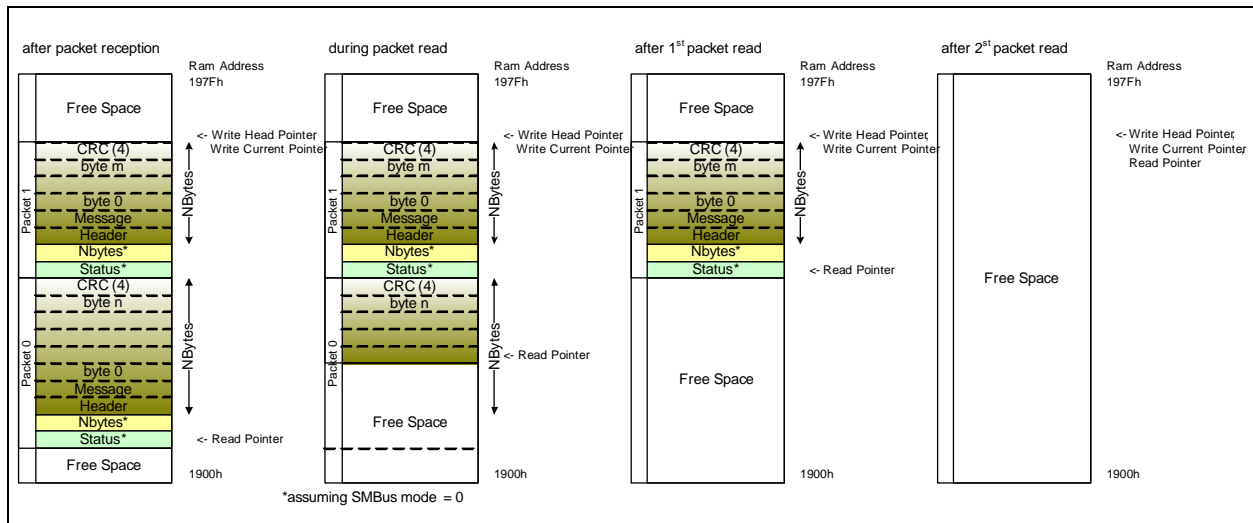
Event		Result	
IF Expecting GoodCRC	Received soft-reset with SOP of RX matching SOP of TX	Packet stored with error status	RX_PKT_STAT[2] (PCOL_ERROR)
	Received GoodCRC with correct SOP type and message ID	Packet dropped	
	Received GoodCRC with wrong SOP type or wrong message ID		
	Received other than GoodCRC or Ping with SOP or RX matching SOP of TX and first message of this SOP type or message ID not matching last message ID of this SOP type (i.e., not a duplicate)	Packet stored, with error status	RX_PKT_STAT[2] (PCOL_ERROR)
ELSE IF Auto Response Enabled	Received soft-reset	Packet stored, message ID saved	
	Received other than GoodCRC or soft-reset and first message of this SOP type		
	Received other than GoodCRC or soft-reset and message ID does not match last message ID of this SOP type		
	Received other than GoodCRC or soft-reset and message ID matches last message ID of this SOP type	Packet dropped with duplicate status	RX_PKT_STAT[1] (DUPLICATE_PACKET)
	Received GoodCRC	Packet stored	
ELSE	Received other than GoodCRC (including soft reset)	packet stored, message ID saved	
	Received GoodCRC	Packet stored	

Note: If auto-response is enabled, any time a packet other than a GoodCRC is stored, a GoodCRC response is transmitted.

11.2.1.2 RX FIFO Read Interface

Figure 11-3 shows how the read interface appears at various points of the software read.

FIGURE 11-3: READ INTERFACE VIEW OF RX FIFO



The RX FIFO read interface always uses a FIFO access mode. The read is destructive, returning the current data and releasing the FIFO space. Although the software may rewind the read pointer for test purposes, there is no guarantee that the data has not been overwritten.

After determining the validity of data in the FIFO queue by reading the [RX_FIFO_NOT_EMPTY](#) bit in the [RX Interrupt Status Register \(RX_IRQ_STAT\)](#), software may read the data from the RX FIFO. Software may read the entire packet without the need to recheck the [RX_FIFO_NOT_EMPTY](#) bit.

Although written as each byte is received, valid data in the FIFO is only indicated once the entire packet is received and validated.

Depending on the setting of the [EN_SMBUS_MODE](#) bit in the [RX Control Register A \(RX_CTL_A\)](#), either the status or the Nbytes field is read first, followed by the other. If SMBus mode is enabled, the Nbytes field is read first and will include the status byte, otherwise it is read second and just indicates the packet length. Note that the packet includes the 4 byte CRC and the length includes this.

As the FIFO is accessed, packet data is read from the FIFO at the read pointer and following each read the read pointer is incremented. The read pointer points to the next location to be read. Upon reaching the top of the RAM, the read pointer wraps to 0.

The FIFO space is released as the packet is read. There is no need for software to specifically release the buffer space.

If software needs to flush a packet without reading the data, it may do so by writing the [RX FIFO Read Pointer Register \(RX_FIFO_RD_PTR\)](#) and [RX FIFO Read Pointer Control Bits Register \(RX_FIFO_RD_PTR_CTL_BITS\)](#). Software should add the appropriate value to the read pointer, taking into account the amount of data already read. Wrap at the top of the RAM must be accounted, for both the read pointer and the [RX_FIFO_RX_PTR_WRAP](#) control bit. In order to maintain coherency, the device will hold a write to the [RX FIFO Read Pointer Register \(RX_FIFO_RD_PTR\)](#) in a temporary register and transfer it to the actual register when the [RX FIFO Read Pointer Control Bits Register \(RX_FIFO_RD_PTR_CTL_BITS\)](#) is written.

Although accessed as a FIFO, software can use any offset address in the 128 byte FIFO address range.

Although not recommended, the software can read from the FIFO if it is empty. The returned data will be 0 and the FIFO will not underrun.

All pointers consist of a RAM address and a wrap indication. The wrap indication is toggled each time the pointer wraps past the top of the RAM. The wrap indication is used in the full, "no room for header" and empty comparisons to distinguish between the write pointers being a full RAM size ahead of the read pointer (full conditions in which case the wrap toggles would be opposite) and the write pointers being equal to the read pointer (empty condition in which case the wrap toggles would be equal).

UPD360

All pointers and status bits are readable by the software. All pointers and wrap around status bits are writable by the software. Software is responsible for maintaining coherency between the pointer and the wrap toggle values.

The FIFO pointers can be reset by setting and clearing the [RST_RECEIVER](#) bit in the [RX Control Register A \(RX_CTL_A\)](#).

Each entry in the RX FIFO represents a byte of received data. Data written to the FIFO is the header, the payload, and the CRC32. As stated earlier, only 5b symbols that correspond to valid D-codes are processed and written to the RX Queue. K-Codes cannot be passed to the RX Queue, i.e., there is no “Raw Mode” receive capability. Software will see de-framed packets only.

As mentioned earlier, the data in FIFO is the actual data and not symbols so it can be processed by software directly. Corrupted packets are not written to the Queue.

11.2.2 RX CONTROL

RX Control implements the logic necessary for validating a received packet, updating the RX Queue status, and triggering automatic responses, if required.

11.2.2.1 Duplicate Packet Detection

For duplicate packet detection, the device maintains the last message ID received per SOP type. A flag (`first_msg`) is maintained per SOP type and indicates if the stored last message ID is valid (there has been a previous packet). This information is used when a good packet is received to detect if the message ID matches the last one received for that SOP type.

The device stores the current message ID into the appropriate last message ID (as selected by the SOP of the current received packet). The message ID and flag for a specified SOP type can be reset via the [RX Message ID Stored Register \(RX_MSG_ID_STORED\)](#). All bits are cleared when software issues a [SW_RESET](#) or [PD_RESET](#) via the [Reset Control Register \(RESET_CTL\)](#).

11.2.2.2 RX Control of Transmit Abort

Although the actual aborting of pending transmission is done by the Transmit Control block, it is the RX Control block that makes the decision.

For pending transmissions (transmission triggered but waiting for bus idle or the bus turnaround time), the RX control block generates a pulse at the EOP. It checks 1) that the packet is a good packet (good CRC, proper nibble alignment and no symbol errors), 2) that the packet is not a Ping or GoodCRC message, 3a) that the SOP type of the received packet matches the SOP type of the pending transmission or 3b) the SOP type of the received packet is SOP with the SOP type of pending transmission being non-SOP (the latter can be disabled via the [DIS_SOP_ABRPTS_NON_SOP](#) bit in the [TX Control Register A \(TX_CTL_A\)](#)) and 4) that the packet is not a duplicate or is a Soft-Reset message.

For completed transmissions that are waiting for a GoodCRC to be returned, the RX Control checks 1) that the packet is a good packet (good CRC, proper nibble alignment and no symbol errors), 2) that the packet is a Soft-Reset or is not a GoodCRC message, 3a) that the SOP type of the received packet matches the SOP type of the pending transmission or 3b) the SOP type of the received packet is SOP with the SOP type of pending transmission being non-SOP (the latter can be disabled via the [DIS_SOP_ABRPTS_NON_SOP](#) bit in the [TX Control Register A \(TX_CTL_A\)](#)) and 4) that the packet is not a duplicate.

11.2.3 RX COMM

The RX Comm is comprised of the clock and data recovery (CDR), RX DES (de-serializer) (serial-to-parallel converter, 4b5b decoder, and framing detector), RX CRC32 (CRC calculator, receive timer), and other logic to detect valid packet reception.

11.2.3.1 CDR

The BMC decodes the received data and outputs the bit stream signal. This signal is applied to the input of CDR module which locks (period and phase) on to the data stream during the preamble phase and outputs the serial data and a capture strobe centered in the data window.

The CDR relies on edge-to-edge time measurement (two bit-times) during the preamble phase for period lock. An average of four successive good period measurements is used for period lock. Valid period measurement is determined by the range specified by the [RX Maximum Bit-Rate Bit Period Count Register \(RX_BIT_PER_CNT_MAX_BR\)](#) and [RX Minimum Bit-Rate Bit Period Count Register \(RX_BIT_PER_CNT_MIN_BR\)](#). Phase lock is achieved by comparing in-phase and quadrature data samples to determine whether the phase needs to be advanced or retarded.

11.2.3.2 RX DES (De-serializer)

The RX DES converts the received serial bit stream from the CDR into 5bit symbols, identifies and generates start-of-packet/end-of-packet/hard and cable reset signals, and decodes the symbols to 4b data.

Note: Note that only valid D-codes are processed to be written to the RX Queue. An invalid/reserved code is simply dropped.

11.2.3.2.1 SOP Detection

The SOP is detected by comparing the four most recently received 5-bit symbols to the expected SOP pattern. Per the USB PD specification, detection of 3 of the 4 SOP symbols is sufficient. This is done by creating four unique groups each containing three received symbols ({a,b,c}, {a,b,d}, {a,c,d} and {b,c,d}) with each group independently compared to its respective symbols. Any successful match indicates an SOP.

There is a separate compare for each SOP type, enabled by the [RX_SOP_ENABLE](#) field in the [RX Control Register B \(RX_CTL_B\)](#). The results are OR'ed. The SOP type is saved and used in the packet processing (auto reply, auto response and queue status). Software is allowed to change the [RX_SOP_ENABLE](#) field at any time. The internal value is held during active receive and updated from the register during idle time.

For generation of the [RX_SOP](#) interrupts in the [RX SOP Interrupt Status Register \(RX_SOP_IRQ_STAT\)](#), each SOP detection is decoded but is not AND'ed with its [RX_SOP_ENABLE](#).

11.2.3.2.2 Reset Detection

Hard and Cable resets are detected by comparing the four most recently received 5-bit symbols to the expected patterns. Per the USB PD specification, detection of 3 of the 4 symbols is sufficient. This is done by creating four unique groups each containing three received symbols ({a,b,c}, {a,b,d}, {a,c,d} and {b,c,d}) with each group independently compared to its respective symbols. Any successful match indicates a Hard or Cable reset respectively.

Cable Reset must be enabled via the [EN_CABLE_RESET](#) bit in the [RX Control Register A \(RX_CTL_A\)](#).

11.2.3.3 RX CRC32

The receive data CRC32 is computed by the RX CRC32 module. The same logic used for TX CRC generation is utilized to calculate the RX CRC.

The coded nibble data is streamed into the RX CRC32 one nibble at a time for CRC calculation. When the packet ends, the output of this module represents the computed CRC for the received packet. A value of 0xC704_DD7B indicates a good CRC. Detection of a valid EOP symbol latches the CRC value. The latched value is compared with the expected good CRC residue value, which is used by the RX Queue to determine if the RX Queue status should be updated to reflect valid data or not.

UPD360

11.3 PD MAC BIST

The PD MAC incorporates BIST functions as defined in the USB PD Specification. It is comprised of a TX and RX block. The BIST TX block contains a PRBS (Pseudo Random Binary Sequence) generator, BIST pattern generation logic, and its own bit-timing logic. The SOP type used by TX BIST Test Frames is a 20-bit static vector which is created by multiplexing between the five SOP ordered sets based on a register setting. The resultant 20-bit vector is simply bit selected when the packet is transmitted.

BIST TX is entered when the [BIST_EN](#) bit in the [BIST Control Register A \(BIST_CTL_A\)](#) is set along with [BIST_RX_EN](#) being clear. The BIST TX mode (TX type) is set using the [BIST_TX_MODE](#) field of the [BIST Control Register A \(BIST_CTL_A\)](#) and is started by first using the [BIST_TX_RST](#) bit and then by using the [BIST_TX_START/BIST_TX_STATUS](#) bit of the [BIST Control Register B \(BIST_CTL_B\)](#). Continuous BIST transmission (modes 0, 1, 2, 3, and 5) should be stopped by first using the [BIST_TX_RST](#) bit before clearing the [BIST_EN](#) bit. It may take up to 1 bit time for the TX to stop. [BIST_EN](#) should not be cleared until after this time.

The BIST RX block contains a PRBS generator and bit error detection logic. BIST RX is used only during the BIST Receiver Test. BIST RX is entered when the [BIST_EN](#) bit in the [BIST Control Register A \(BIST_CTL_A\)](#) is set along with [BIST_RX_EN](#). The BIST error counter is reset using the [BIST_CLR_ERR_CNT](#) bit of the [BIST Control Register B \(BIST_CTL_B\)](#).

For information on the BIST registers, refer to [Section 11.4.5, "PD MAC BIST Registers,"](#) on page 168.

11.4 Power Delivery MAC Registers

This section details the Power Delivery MAC registers. For an overview of the entire device register map, refer to [Section 4.0, "Register Map,"](#) on page 19.

TABLE 11-5: POWER DELIVERY MAC REGISTER MAP

Address	Register Name (Symbol)
1800h – 1849h	PD MAC TX Queue/FIFO (74 bytes) (See Section 11.1.1, "TX Queue" for additional info)
184Ah – 18FFh	Reserved for future expansion
1900h – 197Fh	PD MAC RX FIFO (128 bytes) (See Section 11.2.1, "RX Queue" for additional info)
1980h – 19FFh	Reserved for future expansion
1A00h	TX Control Register A (TX_CTL_A)
1A01h	TX Status Register (TX_STAT)
1A02h	TX Parameters Register C (TX_PARAM_C)
1A03h	TX Packet Length Register (TX_PKT_LEN)
1A04h	TX Parameters Register A (TX_PARAM_A)
1A05h	TX Control Register B (TX_CTL_B)
1A06h	TX Parameters Register B (TX_PARAM_B)
1A07h	TX Bit-Time Count Register (TX_BITTIME_CNT)
1A08h	TX Turnaround Time Register (TX_TA_TIME)
1A09h	TX Abort Status Register (TX_ABORT_STAT)
1A0Ah	TX Auto-Response Abort Status Register (TX_AR_ABORT_STAT)
1A0Bh	TX Power Up Time Register (TX_POWER_UP_TIME)
1A0Ch	TX Power Down Time Register (TX_POWER_DOWN_TIME)
1A0Dh – 1A3Fh	Reserved for future expansion
1A40h	RX Control Register A (RX_CTL_A)
1A41h	RX Control Register B (RX_CTL_B)
1A42h	RX Maximum Bit-Rate Bit Period Count Register (RX_BIT_PER_CNT_MAX_BR)
1A43h	RX Minimum Bit-Rate Bit Period Count Register (RX_BIT_PER_CNT_MIN_BR)
1A44h	RX Status Register (RX_STAT)
1A45h	RX Packet Status Register (RX_PKT_STAT)
1A46h	RX tReceive Time Register (RX_TRECEIVE_TIME)
1A47h	RX BadCRC Packet Count Register (RX_BADCRC_PKT_CNT)
1A48h	RX Duplicate Packet Count Register (RX_DUP_PKT_CNT)
1A49h	RX Hard Reset Detection Window Register (RX_HR_DET_WINDOW)
1A4Ah	RX Last GoodCRC Packet High Byte Register (RX_LAST_GCRC_PKT_HI)
1A4Bh	RX Last GoodCRC Packet Low Byte Register (RX_LAST_GCRC_PKT_LO)
1A4Ch	RX Message ID Stored Register (RX_MSG_ID_STORED)
1A4Dh	RX Maximum Packet Size Register (RX_MAX_SIZE)
1A4Eh – 1A4Fh	Reserved for future expansion
1A50h	RX FIFO Read Pointer Register (RX_FIFO_RD_PTR)
1A51h	RX FIFO Read Pointer Control Bits Register (RX_FIFO_RD_PTR_CTL_BITS)
1A52h	RX FIFO Write Current Pointer Register (RX_FIFO_WR_CURRENT_PTR)
1A53h	RX FIFO Write Current Pointer Control Bits Register (RX_FIFO_WR_CURRENT_PTR_CTL_BITS)
1A54h	RX FIFO Write Head Pointer Register (RX_FIFO_WR_HEAD_PTR)
1A55h	RX FIFO Write Head Pointer Control Bits Register (RX_FIFO_WR_HEAD_PTR_CTL_BITS)
1A56h	RX FIFO Write Head Pointer Plus One Register (RX_FIFO_WR_HEAD_PTR_PLUS_ONE)

UPD360

TABLE 11-5: POWER DELIVERY MAC REGISTER MAP (CONTINUED)

Address	Register Name (Symbol)
1A57h	RX FIFO Write Head Pointer Plus One Control Bits Register (RX_FIFO_WR_HEAD_PTR_PLUS_ONE_CTL_BITS)
1A58h – 1A7Fh	Reserved for future expansion
1A80h	MAC Interrupt Status Register (MAC_IRQ_STAT)
1A81h	TX Interrupt Status Register (TX_IRQ_STAT)
1A82h	RX Interrupt Status Register (RX_IRQ_STAT)
1A83h	RX Error Interrupt Status Register (RX_ERR_IRQ_STAT)
1A84h	Power Management Interrupt Status Register (PM_IRQ_STAT)
1A85h	RX SOP Interrupt Status Register (RX_SOP_IRQ_STAT)
1A86h	TX Interrupt Enable Register (TX_IRQ_EN)
1A87h	RX Interrupt Enable Register (RX_IRQ_EN)
1A88h	RX Error Interrupt Enable Register (RX_ERR_IRQ_EN)
1A89h	Power Management Interrupt Enable and Control Register (PM_IRQ_EN)
1A8Ah	RX SOP Interrupt Enable Register (RX_SOP_IRQ_EN)
1A8Bh	Reset Control Register (RESET_CTL)
1A8Ch – 1A9Fh	Reserved for future expansion
1AA0h	BMC RX High Level Full Bit Maximum Time Register (BMC_RX_HI_FB_MAX_TIME)
1AA1h	BMC RX High Level Full Bit Minimum Time Register (BMC_RX_HI_FB_MIN_TIME)
1AA2h	BMC RX Low Level Full Bit Maximum Time Register (BMC_RX_LO_FB_MAX_TIME)
1AA3h	BMC RX Low Level Full Bit Minimum Time Register (BMC_RX_LO_FB_MIN_TIME)
1AA4h	BMC RX High Level Half Bit Maximum Time Register (BMC_RX_HI_HB_MAX_TIME)
1AA5h	BMC RX High Level Half Bit Minimum Time Register (BMC_RX_HI_HB_MIN_TIME)
1AA6h	BMC RX Low Level Half Bit Maximum Time Register (BMC_RX_LO_HB_MAX_TIME)
1AA7h	BMC RX Low Level Half Bit Minimum Time Register (BMC_RX_LO_HB_MIN_TIME)
1AA8h	BMC RX Squelch Assert Time Register (BMC_RX_SQL_ASSERT_TIME)
1AA9h	BMC RX Squelch Hold Time Register (BMC_RX_SQL_HOLD_TIME)
1AAAh – 1AAFh	Reserved for future expansion
1AB0h	BMC TX Bit-Time Count Register (BMC_TX_BITTIME_CNT)
1AB1h	BMC Transition Window Time Register (BMC_TRANSITION_WINDOW_TIME)
1AB2h – 1ABFh	Reserved for future expansion
1AC0h	BIST Control Register A (BIST_CTL_A)
1AC1h	BIST Control Register B (BIST_CTL_B)
1AC2h	BIST Error Count High Register (BIST_ERR_CNT_HI)
1AC3h	BIST Error Count Low Register (BIST_ERR_CNT_LO)
1AC4h – 1AC6h	Reserved for future expansion
1AC7h	BIST RX Status Register (BIST_RX_STAT)
1AC8h – 1BFFh	Reserved for future expansion

Note: RESERVED address space must not be written under any circumstances. Failure to heed this warning may result in untoward operation and unexpected results.

11.4.1 PD MAC TX REGISTERS

The following sub-sections describe the various registers associated with the PD MAC TX logic.

11.4.1.1 TX Control Register A (TX_CTL_A)

Address: [1A00h](#) Size: 8 bits

Bits	Description	Type	Default
7	RESERVED	RO	-
6	<p>RETRY_ON_LINE_BUSY Normally hardware will abort a TX packet (including all retry attempts) if the line is Busy when hardware attempts to transmit the packet. (Note that transmission of GoodCRC ACK in response for Soft Reset is an exception to this, see the DIS_SPCL_SR_GCRC_ACK bit.)</p> <p>Setting this bit will force hardware to not completely abort the transmission, but rather it will retry the packet up to N_RETRY_CNT times. Failure after N_RETRY_CNT times results in TX_FAILED status in the TX Interrupt Status Register (TX_IRQ_STAT) rather than a TX_ABORTED status.</p> <p>The following conditions will still abort the TX packet:</p> <ul style="list-style-type: none"> • Hard reset received • Cable reset received (if enabled and the SOP type of the pending TX is SOP', or SOP'', SOP'_Debug or SOP''_Debug) • Good, non-duplicate, non-Ping, non-GoodCRC packet (including soft-reset) received with RX and TX SOP types matching or RX SOP type equaling SOP with TX SOP type not equaling SOP (can be disabled) • Software sets the ABORT bit in the TX Control Register B (TX_CTL_B). 	R/W	0b
5	<p>DIS_SOP_ABRPTS_NON_SOP Normally, when a SOP packet is received, a pending non-SOP packet (including wait for a GoodCRC) will be aborted. When this bit is set, a non-SOP packet will only be aborted by a packet with the same non-SOP type.</p>	R/W	0b
4	<p>DIS_SPCL_SR_GCRC_ACK Disable special treatment of GoodCRC ACK in response to Soft Reset. By default, in auto-response mode a line busy condition will not abort GoodCRC ACK transmission in response to Soft Reset reception. Setting this bit will disable this behavior and instead GoodCRC ACK transmission for Soft Reset will be processed the same as GoodCRC ACK for other packets.</p> <p>Note: When this bit is set, the WAIT4LINE_IDLE bit will affect GoodCRC ACK for Soft Reset as well.</p>	R/W	0b

UPD360

Bits	Description	Type	Default
3	<p>WAIT4LINE_IDLE Normally hardware will abort a TX packet (including all retry attempt) if the line is Busy when hardware attempts to transmit the packet. (Note that transmission of GoodCRC ACK in response for Soft Reset is an exception to this, see the DIS_SPCL_SR_GCRC_ACK bit.)</p> <p>Setting this bit will force hardware to not abort the transmission, but rather wait until line becomes idle and then transmit the message. The RETRY_ON_LINE_BUSY option has lower priority then this function.</p> <p>The following conditions will still abort the TX packet:</p> <ul style="list-style-type: none"> • Hard reset received • Cable reset received (if enabled and the SOP type of the pending TX is SOP', or SOP'', SOP'_Debug or SOP''_Debug) • Good, non-duplicate packet, non-Ping, non-GoodCRC (including soft-reset) received with RX and TX SOP types matching or RX SOP type equaling SOP with TX SOP type not equaling SOP (can be disabled) • Software sets the ABORT bit in the TX Control Register B (TX_CTL_B). 	R/W	0b
2	<p>EN_AUTO_RSP_MODE Enable automatic sending of GoodCRC message and BIST Error Count message by hardware. 0: Auto GoodCRC Message disabled (default) 1: Auto GoodCRC Message enabled</p> <p>Note: Disabling Auto Response Mode will also disable automatic retry by hardware, i.e., hardware will ignore the N_RETRY_CNT field of the TX Parameters Register C (TX_PARAM_C).</p>	R/W	0b
1	<p>EN_FMQ Enable FIFO Mode queuing on the TX Queue's write interface. 0: Buffer Mode - TX Queue is accessed like a buffer/CSR (Default) 1: FIFO Mode</p>	R/W	0b
0	<p>EN_RMDP Enable Raw Mode Data Processing. 0: Automatic Mode Data Processing (default) 1: Enable Raw Mode Data Processing</p>	R/W	0b

11.4.1.2 TX Status Register (TX_STAT)

Address: 1A01h Size: 8 bits

Bits	Description	Type	Default
7	RESERVED	RO	-
6:4	<p>N_HW_RETRIES Number of attempts by hardware to send a message successfully.</p> <p>This field is automatically cleared when the GO bit in the TX Control Register B (TX_CTL_B) is set.</p> <p>This field is meaningful only if a TX was successful. It is informational only.</p> <p>0: Initial message was successful. This value must be correlated with the TX_ABORTED bit. If a TX message was aborted, this bit is meaningless. >0: Number of retries performed by the device. The maximum value depends on the N_RETRY_CNT field in the TX Parameters Register C (TX_PARAM_C) register.</p>	RO	000b
3:1	RESERVED	RO	-
0	<p>TX_ACTIVE Transmitter is active. 0: Transmitter is idle 1: Transmitter is active</p> <p>Software can monitor this bit to determine if transmission is in progress. De-assertion of this bit does not imply successful message transmission, only that the transmitter is no longer active and has stopped transmitting.</p>	RO	0b

UPD360

11.4.1.3 TX Parameters Register C (TX_PARAM_C)

Address: 1A02h Size: 8 bits

Bits	Description	Type	Default
7	PORT_DATA_ROLE This field is used as the Port Data Role field for hardware generated packet header for packets that use SOP signaling. 0: UFP 1: DFP Note: SOP' and SOP'' always send a 0 bit for the Port Data Role.	R/W	0b
6:4	N_RETRY_CNT Number of retries allowed. Set this to zero to disable automatic hardware retry (i.e., when software will take care of retries). If N_RETRY_CNT is set to zero, but hardware is expected to wait for Good-CRC, the EXPECT_GOODCRC bit should be set in the TX Parameters Register A (TX_PARAM_A) , otherwise TX will be considered complete as soon as packet transmission is complete. Note: Hard and Cable Resets are not automatically retried since there is no feedback to indicate a failure.	R/W	000b
3	CABLE_PLUG This field is used as the Cable Plug field for hardware generated packet header for packets that use SOP' and SOP'' signaling. 0: DFP or UFP 1: Cable Plug	R/W	0b
2	PORT_POWER_ROLE This field is used as the Port Power Role field for hardware generated packet header for packets that use SOP signaling. 0: Sink 1: Source	R/W	0b
1:0	RESERVED	RO	-

11.4.1.4 TX Packet Length Register (TX_PKT_LEN)

Address: [1A03h](#) Size: 8 bits

Bits	Description	Type	Default
7:6	RESERVED	RO	-
5:0	<p>PKT_LEN Queued packet length in bytes. Hardware uses this value in Auto Mode to determine when to insert the CRC.</p> <p>PKT_LEN = bytes in header + bytes in data objects</p> <p>Note: This applies to Auto Mode queue only and not to Raw Mode queue. Raw Mode queue has special code to insert CRC and terminate the transmission.</p> <p>Note: A value of '0' is invalid for this field.</p>	R/W	000000b

11.4.1.5 TX Parameters Register A (TX_PARAM_A)

Address: [1A04h](#) Size: 8 bits

Bits	Description	Type	Default
7	<p>EXPECT_GOODCRC This bit is used when the N_RETRY_CNT field in the TX Parameters Register C (TX_PARAM_C) is set to zero but hardware is expected to wait for Good-CRC in response to a TX message.</p> <p>If N_RETRY_CNT is non-zero and EN_AUTO_RSP_MODE in the TX Control Register A (TX_CTL_A) is set, then hardware automatically waits for Good-CRC and this bit has no effect.</p>	R/W	0b
6:4	<p>TX_SOP_SELECT This field selects the SOP used for normal TX packets, for Returned BIST Counters packets (in response to RX BIST Test Frames) and for TX BIST Test Frames.</p> <p>This value is also used to verify the expected SOP type in the GoodCRC response when Auto retry is enabled.</p> <p>000: SOP 001: SOP' 010: SOP'' 011: SOP'_Debug 100: SOP''_Debug 101 - 111: Reserved</p> <p>Note: For Auto retry mode, it is assumed that the expected SOP type is also enabled in the RX Control Register B (RX_CTL_B).</p>	R/W	000b

UPD360

Bits	Description	Type	Default
3	<p>EN_FWTX Enable software issued transmission.</p> <p>This bit is effective only at the moment the GO bit is set by software and is intended to cover race conditions where it is not possible for software to back off from setting the GO bit in response to a valid RX.</p> <p>This bit is automatically held cleared by hardware if the RX Interrupt Status Register (RX_IRQ_STAT) indicates reception of a Hard Reset, or a Cable Reset, or if there is any data in the RX FIFO and, thus, software must set it prior to each transmission it wants to issue.</p> <p>When this bit is cleared, a software issued transmission will be aborted.</p> <p>Note: This is not an Abort bit. Clearing this bit will have no effect on a transmission that has already been issued to hardware. Such transmissions will be aborted automatically by hardware as appropriate. To abort a transmission in progress, use the ABORT bit in the TX Control Register B (TX_CTL_B).</p> <p>Note: Setting of this bit does not prevent hardware issued transmissions.</p> <p>Note: This bit is reset by assertion of PD_RESET.</p>	R/W	0b
2:0	<p>MSG_ID Message ID. This value is used to verify the expected message ID in the GoodCRC response.</p> <p>Note: Hardware will not insert this value into the TX message header. For proper normal operation, software must program the same value in bits[11:9] of message header.</p> <p>Note: Software must set this to zero when it processes a Hard Reset, Cable Reset or Soft Reset.</p>	R/W	000b

11.4.1.6 TX Control Register B (TX_CTL_B)

Address: 1A05h Size: 8 bits

Bits	Description	Type	Default
7:6	RESERVED	RO	-
5	<p>TX_CABLE_RESET Setting this bit to 1 together with the GO bit will cause hardware configured for Auto Mode data processing to transmit a Cable Reset. Any data in the TX Queue and related registers is ignored.</p> <p>This bit is not applicable to Raw Mode data processing since Cable Reset packets can be explicitly specified in the TX Queue. It is ignored for Raw Mode.</p> <p>This bit can only be set if the GO bit is not currently set.</p> <p>The TX_HARD_RESET bit has precedence and if set along with this bit, this bit will not set.</p> <p>This bit is cleared by hardware at end of packet transmission. This bit is reset by assertion of PD_RESET. Software can only write 1 to this bit and therefore can not clear it once set.</p> <p>Note: Cable Reset is not automatically retried (there is no feedback to indicate a failure). It is up to software to perform Cable Reset retries.</p> <p>Note: This bit will be cleared upon completion of any packet transmission, so it should be set only after GO bit is cleared after completion of the prior transmission.</p>	W1S/SC	0b
4	<p>OK_TO_TX Channel is idle and it is OK to transmit. Software should monitor this bit before setting the GO bit. 0: Software should not set the GO bit 1: Software can set the GO bit.</p> <p>The following conditions will cause hardware to set this bit to 0:</p> <ul style="list-style-type: none"> • BMC line idle timer indicating line is busy. • Hardware may be processing an automatic response to a received packet. 	RO	1b
3	<p>RST_TXQ_FIFO_WRI_PTR Setting this bit will reset the TX Queue's write interface FIFO pointer. When using FIFO Mode Queuing, software must always write a '1' to this bit prior to putting data in the FIFO.</p> <p>Hardware does not latch this bit and it will read back as zero. Hardware may automatically reset the pointer when the GO bit is cleared (i.e., hardware is done with current transmission).</p>	WO	0b

UPD360

Bits	Description	Type	Default
2	<p>TX_HARD_RESET Setting this bit to 1 together with the GO bit will cause hardware configured for Auto Mode data processing to transmit a Hard Reset. Any data in the TX Queue and related registers is ignored.</p> <p>This bit is not applicable to Raw Mode data processing since a Hard Reset packet can be explicitly specified in the TX Queue. It is ignored for Raw Mode.</p> <p>This bit can only be set if the GO bit is not currently set.</p> <p>This bit is cleared by hardware at end of packet transmission. This bit is reset by assertion of PD_RESET. Software can only write 1 to this bit and therefore can not clear it once set.</p> <p>Note: Hard Reset is not automatically retried (there is no feedback to indicate a failure). It is up to software to perform Hard Reset retries.</p> <p>Note: This bit will be cleared upon completion of any packet transmission, so it should be set only after the GO bit is cleared after completion of the prior transmission.</p>	W1S/SC	0b
1	<p>ABORT Setting this bit will abort the current transmission in progress as soon as possible. Writing a '0' has no effect.</p> <p>Hardware does not latch this bit and it will read back as zero.</p> <p>Hardware will finish the current nibble transmission, send EOP, and then terminate transmission. If this bit is set during preamble phase, then the current bit of the preamble will be completed prior to termination.</p> <p>Software should use the TX_EOP status bit in the TX Interrupt Status Register (TX_IRQ_STAT) to determine when the current packet has been terminated.</p>	WO	0b
0	<p>GO Writing a 1 to this bit will:</p> <ul style="list-style-type: none"> • Start transmission of the packet in the TX queue on to the wire or: • Send Hard Reset if the TX_HARD_RESET bit of this register is set and data processing mode is set to Auto (i.e., the EN_RMDP bit in the TX Control Register A (TX_CTL_A) is not set). • Send Cable Reset if the TX_CABLE_RESET bit of this register is set and data processing mode is set to Auto (i.e., the EN_RMDP bit in the TX Control Register A (TX_CTL_A) is not set). <p>Hardware will clear this bit when transmission is complete. This bit is reset by assertion of PD_RESET. Software can only write 1 to this bit and therefore can not clear it once set. Clearing of this bit by hardware does not indicate the message was sent successfully.</p> <p>Hardware may detect bus collision and abort transmission. In this case, the TX_ABORTED bit in the TX Interrupt Status Register (TX_IRQ_STAT) will be set and an interrupt to MCU will be generated.</p>	W1S/SC	0b

11.4.1.7 TX Parameters Register B (TX_PARAM_B)

Address: **1A06h** Size: 8 bits

Bits	Description	Type	Default
7	RESERVED	RO	-
6:0	<p>PREAMBLE_LEN Number of preamble bits to send. Range: 1-127, specification: 64d (default)</p> <p>A value of 0 is invalid and hardware does not check for validity. Software should use the default value for normal operation.</p> <p>Setting this field to an odd value will cause violation of the USB PD Specification which states "The preamble shall start with a "0" and shall end with a "1". An odd value will cause preamble to start with a value of "0" but it will also end in a value of "0." This may or may not lead to functional issues. This field should be set to an even value to remain spec compliant.</p>	R/W	1000000b

11.4.1.8 TX Bit-Time Count Register (TX_BITTIME_CNT)

Address: **1A07h** Size: 8 bits

Bits	Description	Type	Default
7:0	<p>BIT_TIME_CNT Bit-time counter value. The TX logic uses this value to determine the bit-time for transmission (nominal bit rate is 300Kbps). This register can be used to adjust bit-time for testing purpose (adjusting bitrate).</p> <p>Count value is based on clock frequency and is given by: $((\text{Clock Freq KHz} / \text{Bit Rate Kbps}) - 1)$ i.e., Clock Frequency = 48000KHz (48MHz) Nominal Bit Rate = 300 Kbps $\text{BIT_TIME_CNT} = (48000 / 300) - 1 = 159$</p>	R/W	00h

UPD360

11.4.1.9 TX Turnaround Time Register (TX_TA_TIME)

Address: [1A08h](#) Size: 8 bits

This register controls the IFG timer.

Bits	Description	Type	Default
7:6	RESERVED	RO	-
5:0	TA_TIME Turnaround time in us. Range: 1-63, specification: 25us A value of 0 is invalid and hardware does not check for validity. Hardware uses a free running 1us pulse generator, thus, the value of this field should be 1 more than desired to ensure the minimum time (26d).	R/W	010101b

11.4.1.10 TX Abort Status Register (TX_ABORT_STAT)

Address: [1A09h](#) Size: 8 bits

This field is used in conjunction with the [TX_ABORTED](#) interrupt and provides details for why the TX was aborted. Bits in this register are sticky, i.e., once any bit is set by hardware this field cannot be updated by hardware until software clears the field.

Note: Bits in this register are set by hardware and must be cleared by software. The bits are not mutually exclusive, i.e., more than one bit may be set depending on the circumstance.

Bits	Description	Type	Default
7	TX_ABORT_STAT[7] While waiting for GoodCRC, TX aborted due to Protocol Error (i.e., received other than GoodCRC or Ping message while waiting for GoodCRC or Receiving a Hard or Cable Reset.)	R/W1C	0b
6	TX_ABORT_STAT[6] During software issued TX, TX was aborted due to RX (including Hard or Cable Reset) while waiting for bus turnaround or waiting for line to go idle.	R/W1C	0b
5	TX_ABORT_STAT[5] Auto-retry aborted due to RX (including Hard or Cable Reset) while waiting for bus turnaround or while waiting for line to go idle.	R/W1C	0b
4	TX_ABORT_STAT[4] Auto-retry aborted due to line being busy after bus turnaround.	R/W1C	0b
3	RESERVED	RO	-
2	TX_ABORT_STAT[2] During software issued TX, line was busy after bus turnaround.	R/W1C	0b
1	TX_ABORT_STAT[1] Software issued abort while software issued TX was in process.	R/W1C	0b
0	TX_ABORT_STAT[0] Software issued GO with TX disabled.	R/W1C	0b

11.4.1.11 TX Auto-Response Abort Status Register (TX_AR_ABORT_STAT)

Address: **1A0Ah** Size: 8 bits

This field is used in conjunction with the [AUTO_RSP_ABORTED](#) interrupt and provides details for why the TX was aborted. Bits in this register are sticky, i.e., once any bit is set by hardware this field cannot be updated by hardware until software clears the field.

Note: Bits in this register are set by hardware and must be cleared by software. The bits are not mutually exclusive, i.e., more than one bit may be set depending on the circumstance.

Bits	Description	Type	Default
7	RESERVED	RO	-
6	TX_AR_ABORT_STAT[6] Auto-response aborted due to RX (including Hard or Cable Reset) while waiting for bus turnaround or while waiting for line to go idle.	R/W1C	0b
5:4	RESERVED	RO	-
3	TX_AR_ABORT_STAT[3] Line was busy after bus turnaround time during auto-response.	R/W1C	0b
2	RESERVED	RO	-
1	TX_AR_ABORT_STAT[1] Software issued abort while auto-response was in process.	R/W1C	0b
0	RESERVED	RO	-

11.4.1.12 TX Power Up Time Register (TX_POWER_UP_TIME)

Address: **1A0Bh** Size: 8 bits

Bits	Description	Type	Default
7:0	TX_POWER_UP_TIME TX Power Up Time before transmitting (unit is 8 clock cycles). Range: 0-255 (Actual time is 5 clocks larger.) The analog requires a minimum time of 5us to power up. Count value is based on clock frequency and is given by: $TX_POWER_UP_TIME = \text{power up time } \mu\text{S} \times \text{Clock Freq MHz} / 8$ i.e., Clock Frequency = 48MHz power up time = 5 uS $TX_POWER_UP_TIME = 5 \times 48 / 8 = 30$	R/W	00h

UPD360

11.4.1.13 TX Power Down Time Register (TX_POWER_DOWN_TIME)

Address: 1A0Ch Size: 8 bits

Bits	Description	Type	Default
7:0	<p>TX_POWER_DOWN_TIME TX Power Down Time after transmitting (unit is 8 clock cycles). Range: 0-255 (Actual time is 2 clocks larger.)</p> <p>The analog requires a minimum time of 1us before powering down.</p> <p>Count value is based on clock frequency and is given by: $TX_POWER_DOWN_TIME = \text{power down time } \mu\text{S} \times \text{Clock Freq MHz} / 8$ i.e., Clock Frequency = 48MHz power down time = 1 uS $TX_POWER_DOWN_TIME = 1 \times 48 / 8 = 6$</p>	R/W	00h

11.4.2 PD MAC RX REGISTERS

The following sub-sections describe the various registers associated with the PD MAC RX logic.

11.4.2.1 RX Control Register A (RX_CTL_A)

Address: **1A40h** Size: 8 bits

Bits	Description	Type	Default
7:6	RESERVED	RO	-
5	<p>EN_LOOPBACK Enable loopback. This bit allows the MAC to receive its own transmission.</p> <p>Note: Loopback happens at the pin where TX and RX are connected together.</p>	R/W	0b
4	<p>EN_RCV Enable Receiver. Software should set this bit when it is done configuring the receiver. Setting this bit will enable the receiver to start normal operation.</p> <p>If this bit is set while receive activity is in progress it will take effect after current receive activity is over. If this bit is cleared while a receive is being processed it will take effect after current receive is finished.</p> <p>This bit will be automatically cleared by hardware upon reception of Hard Reset or a Cable Reset to prevent normal packet reception.</p> <p>After POR or SW_RESET, Hard and Cable Reset reception is disabled until EN_RCV is set. Thereafter, clearing of EN_RCV (by software or hardware) has no impact to reception of Hard or Cable Reset, i.e., hardware will process Hard or Cable Reset even with EN_RCV cleared.</p> <p>If software wishes to re-initialize receive timing parameters after EN_RCV has been set once it must first reset the UPD_MAC_v2 using SW_RESET. This bit is not reset by assertion of PD_RESET.</p>	R/W	0b
3	<p>RST_RECEIVER Setting this bit will reset the receiver Queue. Software should set this bit if receiver hardware may be out of sync with software. Hardware latches this bit so it must be cleared by software to resume receiver operation. Receiver hardware is also reset when PD_RESET bit in RESET_CTL register is set.</p>	R/W	0b

UPD360

Bits	Description	Type	Default
2	<p>EN_CRC_RCV_TMR Enable CRCReceiveTimer. 0: CRCReceiveTimer disabled (default) 1: CRCReceiveTimer Enabled</p> <p>This bit is used by software only when it is not using auto-retry mode.</p> <p>When auto-retry is enabled (EN_AUTO_RSP_MODE in the TX Control Register A (TX_CTL_A) is set and N_RETRY_CNT is non-zero) or when the transmitter is set to wait for the GoodCRC message (EXPECT_GOODCRC is set and N_RETRY_CNT is zero), the CRCReceiveTimer is automatically enabled in hardware. If GoodCRC message is not received prior to timer expiration, then an interrupt will be generated. CRC_RCV_TIMEOUT bit in the TX Interrupt Status Register (TX_IRQ_STAT) will be set.</p> <p>If auto-retry and wait for GoodCRC are disabled, the software can set this bit to enable CRCReceiveTimer prior to starting transmission to help time tReceive. Once enabled, the timer will start automatically at the end of transmission; however, software must disable the timer when a GoodCRC message is received. If not disabled, timer expiration will generate an interrupt.</p> <p>Once expired, the CRCReceiveTimer remains expired until start of another packet transmission when it reloads.</p> <p>This timer can also be used for BIST transmissions as the BISTReceiveError-Timer.</p>	R/W	0b
1	<p>EN_SMBUS_MODE Enable SMBus block read FIFO format. 0: First location in packet is status, second location is packet length 1: First location in packet is packet length + 1, second location is status</p>	R/W	0b
0	<p>EN_CABLE_RESET Enable Cable Reset Detection. 0: Cable Reset Detection (default) 1: Cable Reset Detection Enabled</p>	R/W	0b

11.4.2.2 RX Control Register B (RX_CTL_B)

Address: [1A41h](#) Size: 8 bits

Bits	Description	Type	Default
7	RESERVED	RO	-
6:2	RX_SOP_ENABLE SOP Types enabled to be received. Includes RX BIST Test Frames. Bit 2 - SOP Bit 3 - SOP' Bit 4 - SOP" Bit 5 - SOP'_Debug Bit 6 - SOP''_Debug Software is allowed to change the field at any time. An internal copy is held during active receive and updated from the register during idle time	R/W	00001b
1:0	RESERVED	RO	-

11.4.2.3 RX Maximum Bit-Rate Bit Period Count Register (RX_BIT_PER_CNT_MAX_BR)

Address: [1A42h](#) Size: 8 bits

The value of this register, together with value of the [RX Minimum Bit-Rate Bit Period Count Register \(RX_BIT_PER_CNT_MIN_BR\)](#), is used to determine valid bit-time (also referenced as bit-period) of the RX signal.

$RX_BIT_PER_CNT_MIN_BR > \text{valid bit time} > RX_BIT_PER_CNT_MAX_BR$.

Bits	Description	Type	Default
7:0	RX_BIT_PER_CNT_MAX_BR Bit period count at maximum bit-rate. $= (((\text{clock_freq_KHz} / \text{max_bit_rate_Kbps}) * (100 - \text{tolerance}) / 100) - 1)$ WARNING: If macros are defined in C code, then math must be arranged so that integer overflow does not occur.	R/W	00h

UPD360

11.4.2.4 RX Minimum Bit-Rate Bit Period Count Register (RX_BIT_PER_CNT_MIN_BR)

Address: 1A43h Size: 8 bits

The value of this register, together with value of the [RX Maximum Bit-Rate Bit Period Count Register \(RX_BIT_PER_CNT_MAX_BR\)](#), is used to determine valid bit-time (also referenced as bit-period) of the RX signal.

$RX_BIT_PER_CNT_MIN_BR > \text{valid bit time} > RX_BIT_PER_CNT_MAX_BR$.

Bits	Description	Type	Default
7:0	RX_BIT_PER_CNT_MIN_BR Bit period count at minimum bit-rate. $= (((\text{clock_freq_KHz} / \text{min_bit_rate_Kbps}) * (100 + \text{tolerance}) / 100) - 1)$ WARNING: If macros are defined in C code, then math must be arranged so that integer overflow does not occur.	R/W	00h

11.4.2.5 RX Status Register (RX_STAT)

Address: 1A44h Size: 8 bits

Bits	Description	Type	Default
7:2	RESERVED	RO	-
1	RX_IN_PROCESS Receiver is active. Hardware is receiving a packet, i.e., line is busy and transmitter is not active.	RO	0b
0	LINE_STATE 0: Line is idle 1: Line is busy (BMC line idle timer indicating line is busy) If this bit is "1", a receive might be in progress and software should wait for the message reception to complete. If it is "0", software may set the GO bit. Hardware will take further action until the very last possible moment to avoid bus contention. Bus contention is still possible and not 100% avoidable. In cases where hardware takes preventative measures to avoid bus contention, the TX packet will be aborted. Software will be informed of this via an interrupt and setting of the TX_ABORTED bit in the TX Interrupt Status Register (TX_IRQ_STAT) .	RO	0b

11.4.2.6 RX Packet Status Register (RX_PKT_STAT)

Address: 1A45h Size: 8 bits

This register is applicable only when using auto-response/retry modes. This register is used in conjunction with the following bits to provide additional information regarding the status of a received packet:

- **RX_DONE** bit in the **RX Interrupt Status Register (RX_IRQ_STAT)**
- **RX_PCOL_ERROR** bit in the **RX Error Interrupt Status Register (RX_ERR_IRQ_STAT)**
- **RX_PKT_DROPPED** bit in the **RX Error Interrupt Status Register (RX_ERR_IRQ_STAT)**
- **RX_BUF_OVR_RUN** bit in the **RX Error Interrupt Status Register (RX_ERR_IRQ_STAT)**

Bits in this register are sticky, i.e., once any bit is set by hardware this field cannot be updated by hardware until software clears the field.

A value of 0x00 indicates no errors, while a value of 0xFF indicates that the packet status is currently unknown. Other values are interpreted as specified in the bit definitions for this register.

Note: There no status for having received a GoodCRC message with matching MSG_ID. Successful completion of a TX is indication that a valid GoodCRC ACK was received.

Note: Bits in this register are set by hardware and must be cleared by software. The bits are not mutually exclusive, i.e., more than one bit may be set depending on the circumstance.

Bits	Description	Type	Default
7	RESERVED	RO	-
6	RX_PKT_STAT[6] ODD_NIBBLES. Received packet dropped because it had odd number of nibbles in data phase. Not set if RX_PKT_STAT[3] (RX_OVER_SIZE) is set regardless of bad CRC, symbol errors or odd nibbles. RX_BAD_PKT interrupt is asserted.	R/W1C	0b
5	RX_PKT_STAT[5] SYM_ERROR. There was a symbol error in packet but BAD_CRC was not reported. Not set if RX_PKT_STAT[3] (RX_OVER_SIZE) is set regardless of bad CRC, symbol errors or odd nibbles. RX_BAD_PKT interrupt is asserted.	R/W1C	0b
4	RX_PKT_STAT[4] RX_FIFO_FULL. Received packet had to be dropped because the FIFO was full either at SOP or during data. RX_BUF_OVR_RUN interrupt is asserted.	R/W1C	0b
3	RX_PKT_STAT[3] RX_OVER_SIZE. Received packet had to be dropped because it was larger than the maximum size set in the RX Maximum Packet Size Register. RX_BAD_PKT interrupt is asserted.	R/W1C	0b
2	RX_PKT_STAT[2] PCOL_ERROR. Received other than GoodCRC or Ping message when GoodCRC was expected. RX_PCOL_ERROR interrupt is asserted.	R/W1C	0b
1	RX_PKT_STAT[1] DUPLICATE_PACKET. Applicable to auto-response mode. RX_PKT_DROPPED interrupt is asserted.	R/W1C	0b
0	RX_PKT_STAT[0] BAD_CRC. RX packet had bad CRC. RX_BAD_PKT interrupt is asserted. This bit is also forced set if symbol error or odd nibble count occurs. It is not set if RX_PKT_STAT[3] (RX_OVER_SIZE) is set, regardless of bad CRC, symbol errors or odd nibbles.	R/W1C	0b

UPD360

11.4.2.7 RX tReceive Time Register (RX_TRECEIVE_TIME)

Address: [1A46h](#) Size: 8 bits

Bits	Description	Type	Default
7:0	TRECEIVE CRCReceiveTimer timeout value (tReceive) in 10's of micro seconds. Timeout value = field value * 10 (us) Range: 0-255, specification: 900-1100us (90-110) Note: A value of 0 is invalid and hardware does not check for validity. Note: Hardware uses a free running 1us pulse generator, thus, this CRCReceiveTimer may be 1us less than that expected. Note: Reset value is programmed to be 1000us (+/- 2%).	R/W	64h

11.4.2.8 RX BadCRC Packet Count Register (RX_BADCRC_PKT_CNT)

Address: [1A47h](#) Size: 8 bits

This register keeps track of the number of packets received with bad CRC (any packet with valid SOP but bad CRC or invalid EOP or symbol error). This register is for debug purpose only.

If enabled, an interrupt can be generated when the count of this register reaches 128.

Bits	Description	Type	Default
7:0	BADCRC_PKT_CNT Number of bad packets received, i.e., with Bad CRC or invalid EOP or symbol error. When the value of this register becomes greater than 127, the DBG_EVENT bit in the RX Interrupt Status Register (RX_IRQ_STAT) will be set. Any write to this register will clear all bits. Note: This register is not affected by packets received during BIST Receiver Test. All these packets will be corrupted.	R/WAC	00h

11.4.2.9 RX Duplicate Packet Count Register (RX_DUP_PKT_CNT)

Address: [1A48h](#) Size: 8 bits

This register keeps track of the number of the number of duplicate packets received. It is applicable only when Automatic Response Mode is enabled. This register is for debug purpose only.

If enabled, an interrupt can be generated when the count of this register reaches 128.

Bits	Description	Type	Default
7:0	<p>DUP_PKT_CNT Number of duplicate packets received. Applicable when Auto Response Mode is enabled.</p> <p>When the value of this register becomes greater than 127, the DBG_EVENT bit in the RX Interrupt Status Register (RX_IRQ_STAT) will be set.</p> <p>Any write to this register will clear all bits.</p>	R/WAC	00h

11.4.2.10 RX Hard Reset Detection Window Register (RX_HR_DET_WINDOW)

Address: [1A49h](#) Size: 8 bits

Bits	Description	Type	Default
7	RESERVED	RO	-
6:0	<p>RX_HR_DET_WINDOW Value of Hard Reset detection window in number of bits. This field determines when a detected Hard Reset or Cable Reset will be considered valid.</p>	R/W	1011110b

11.4.2.11 RX Last GoodCRC Packet High Byte Register (RX_LAST_GCRC_PKT_HI)

Address: [1A4Ah](#) Size: 8 bits

Bits	Description	Type	Default
7:0	<p>RX_LAST_GCRC_PKT_HI Bits [15:8] of received GoodCRC message.</p> <p>This register is only valid when auto-retry is enabled. Since GoodCRC message in auto-retry mode is not stored in the RX queue, this register provides a means for software to examine the last GoodCRC message received.</p>	RO	00h

UPD360

11.4.2.12 RX Last GoodCRC Packet Low Byte Register (RX_LAST_GCRC_PKT_LO)

Address: [1A4Bh](#) Size: 8 bits

Bits	Description	Type	Default
7:0	RX_LAST_GCRC_PKT_LO Bits [7:0] of received GoodCRC message. This register is only valid when auto-retry is enabled. Since GoodCRC message in auto-retry mode is not stored in the RX queue, this register provides a means for software to examine the last GoodCRC message received.	RO	00h

11.4.2.13 RX Message ID Stored Register (RX_MSG_ID_STORED)

Address: [1A4Ch](#) Size: 8 bits

This register indicates if a last message ID was stored for each SOP type. A write to the appropriate bit will clear the last stored message ID for the SOP type indicated. When cleared, the next packet received for the SOP type will not be considered a duplicate. Software should clear the appropriate bit when it processes a Soft Reset.

Bits in this register are set by hardware and must be cleared by software.

This register is also cleared when software issues a [SW_RESET](#) or [PD_RESET](#) via the [Reset Control Register \(RESET_CTL\)](#).

Bits	Description	Type	Default
7:5	RESERVED	RO	-
4:0	RX_MSG_ID_STORED This field indicates that a last message ID was stored for the SOP type. Bit 0: SOP Bit 1: SOP' Bit 2: SOP'' Bit 3: SOP'_Debug Bit 4: SOP''_Debug	W1C	00000b

11.4.2.14 RX Maximum Packet Size Register (RX_MAX_SIZE)

Address: [1A4Dh](#) Size: 8 bits

The value of this register sets the maximum receive packet size, including the 4 bytes of CRC.

Bits	Description	Type	Default
7:0	RX_MAX_SIZE Maximum receive packet size including the 4 byte CRC.	R/W	22h

11.4.2.15 RX FIFO Read Pointer Register (RX_FIFO_RD_PTR)

Address: [1A50h](#) Size: 8 bits

This register contains the RX FIFO read pointer. Software may update this register to flush a packet based on the known packet length and starting point.

Software must keep the RX FIFO Read Pointer Control Bits Register coherent with this register if software were to update this register.

In order to maintain coherency, writes to this register are held in a temporary register and are transferred to the actual register when the RX FIFO Read Pointer Control Bits Register is written.

Bits	Description	Type	Default
7	RESERVED	RO	-
6:0	RX_FIFO_RD_PTR This field contains the RX FIFO read pointer.	R/W	0000000b

11.4.2.16 RX FIFO Read Pointer Control Bits Register (RX_FIFO_RD_PTR_CTL_BITS)

Address: [1A51h](#) Size: 8 bits

This register contains the auxiliary control bits of the RX FIFO read pointer.

Software must keep these bits coherent with the RX FIFO Read Pointer if software were to update the latter.

Bits	Description	Type	Default
7	RX_FIFO_EMPTY This field indicates that the RX FIFO is empty (RX FIFO Write Head Pointer equals the RX FIFO Read Pointer.)	RO	1b
6:2	RESERVED	RO	-
1	RX_FIFO_RD_PTR_AT_TOP This field indicates that the RX FIFO read pointer is at the top of the RAM (location 127).	RO	0b
0	RX_FIFO_RX_PTR_WRAP This field toggles each time the RX FIFO read pointer wraps past the top of the RAM (location 127). If software updates the RX FIFO read pointer such that it wraps, this bit must be toggled.	R/W	0b

UPD360

11.4.2.17 RX FIFO Write Current Pointer Register (RX_FIFO_WR_CURRENT_PTR)

Address: 1A52h Size: 8 bits

This register contains the RX FIFO write current pointer. This pointer indicates where the next received byte of data will be stored. This register is for debug and test purpose only and should not normally be written.

Software must maintain coherency between this and the other Write Pointer Registers.

There is no hardware holding register to maintain write coherency between this and the other Write Pointer Registers. It is assumed that this register is only written while there is no active receive.

Bits	Description	Type	Default
7	RESERVED	RO	-
6:0	RX_FIFO_WR_CURRENT_PTR This field contains the RX FIFO write current pointer.	R/W	000000b

11.4.2.18 RX FIFO Write Current Pointer Control Bits Register (RX_FIFO_WR_CURRENT_PTR_CTL_BITS)

Address: 1A53h Size: 8 bits

This register contains the auxiliary control bits of the RX FIFO write current pointer. This register is for debug and test purpose only and should not normally be written.

Software must maintain coherency between this and the other Write Pointer Registers.

There is no hardware holding register to maintain write coherency between this and the other Write Pointer Registers. It is assumed that this register is only written while there is no active receive.

Bits	Description	Type	Default
7	RX_FIFO_FULL This field indicates that the RX FIFO is full (RX FIFO Write Current Pointer equals the RX FIFO Read Pointer.)	RO	0b
6:2	RESERVED	RO	-
1	RX_FIFO_WR_CURRENT_PTR_AT_TOP This field indicates that the RX FIFO write current pointer is at the top of the RAM (location 127).	RO	0b
0	RX_FIFO_WR_CURRENT_PTR_WRAP This field toggles each time the RX FIFO write current pointer wraps past the top of the RAM (location 127).	R/W	0b

11.4.2.19 RX FIFO Write Head Pointer Register (RX_FIFO_WR_HEAD_PTR)

Address: [1A54h](#) Size: 8 bits

This register contains the RX FIFO write head pointer. This pointer indicates where the next received packet starts. This register is for debug and test purpose only and should not normally be written.

Software must maintain coherency between this and the other Write Pointer Registers.

There is no hardware holding register to maintain write coherency between this and the other Write Pointer Registers. It is assumed that this register is only written while there is no active receive.

Bits	Description	Type	Default
7	RESERVED	RO	-
6:0	RX_FIFO_WR_HEAD_PTR This field contains the RX FIFO write head pointer.	R/W	0000000b

11.4.2.20 RX FIFO Write Head Pointer Control Bits Register (RX_FIFO_WR_HEAD_PTR_CTL_BITS)

Address: [1A55h](#) Size: 8 bits

This register contains the auxiliary control bits of the RX FIFO write head pointer. This register is for debug and test purpose only and should not normally be written.

Software must maintain coherency between this and the other Write Pointer Registers.

There is no hardware holding register to maintain write coherency between this and the other Write Pointer Registers. It is assumed that this register is only written while there is no active receive.

Bits	Description	Type	Default
7	RX_FIFO_NO_ROOM_FOR_HEADER This field indicates that the RX FIFO has no space for the RX header (status and length) (RX FIFO Write Head Pointer equals the RX FIFO Read Pointer or RX FIFO Write Head Pointer Plus One equals the RX FIFO Read Pointer).	RO	0b
6:3	RESERVED	RO	-
2	RX_FIFO_WR_HEAD_PTR_AT_2ND_FROM_TOP This field indicates that the RX FIFO write head pointer is one below the top of the RAM (location 126).	RO	0b
1	RX_FIFO_WR_HEAD_PTR_AT_TOP This field indicates that the RX FIFO write head pointer is at the top of the RAM (location 127).	RO	0b
0	RX_FIFO_WR_HEAD_PTR_WRAP This field toggles each time the RX FIFO write head pointer wraps past the top of the RAM (location 127).	R/W	0b

UPD360

11.4.2.21 RX FIFO Write Head Pointer Plus One Register (RX_FIFO_WR_HEAD_PTR_PLUS_ONE)

Address: [1A56h](#) Size: 8 bits

This register contains the RX FIFO write head pointer plus one. This pointer indicates where the next received packet starts plus one. This register is for debug and test purpose only and should not normally be written.

Software must maintain coherency between this and the other Write Pointer Registers.

There is no hardware holding register to maintain write coherency between this and the other Write Pointer Registers. It is assumed that this register is only written while there is no active receive.

Bits	Description	Type	Default
7	RESERVED	RO	-
6:0	RX_FIFO_WR_HEAD_PTR_PLUS_ONE This field contains the RX FIFO write head pointer plus one.	R/W	0000001b

11.4.2.22 RX FIFO Write Head Pointer Plus One Control Bits Register (RX_FIFO_WR_HEAD_PTR_PLUS_ONE_CTL_BITS)

Address: [1A57h](#) Size: 8 bits

This register contains the auxiliary control bits of the RX FIFO write head pointer plus one. This register is for debug and test purpose only and should not normally be written.

Software must maintain coherency between this and the other Write Pointer Registers.

There is no hardware holding register to maintain write coherency between this and the other Write Pointer Registers. It is assumed that this register is only written while there is no active receive.

Bits	Description	Type	Default
7:1	RESERVED	RO	-
0	RX_FIFO_WR_HEAD_PTR_PLUS_ONE_WRAP This field toggles each time the RX FIFO write head pointer plus one wraps past the top of the RAM (location 127).	R/W	0b

11.4.3 PD MAC INTERRUPT STATUS AND ENABLE REGISTERS

The following sub-sections describe the various registers associated with the PD MAC interrupts.

Refer to [Section 8.1, "System Interrupts," on page 35](#) for additional information on system level interrupt control.

11.4.3.1 MAC Interrupt Status Register (MAC_IRQ_STAT)

Address: **1A80h** Size: 8 bits

This register reflects the summary status of the various interrupt sources. If any of these bits are set, the **MAC_INT** interrupt bit in the [Interrupt Status Register \(INT_STS\)](#) will be active (if enabled).

Bits in this register are read only and reflect the combined result of the other PD MAC interrupt status registers.

There is no corresponding enable register, since all interrupts have enables at lower levels of the hierarchy.

Bits	Description	Type	Default
7:5	RESERVED	RO	-
4	RX_SOP_IRQ_STAT RX SOP status. This bit is set when any bit in the RX SOP Interrupt Status Register (RX_SOP_IRQ_STAT) is set and enabled via the RX SOP Interrupt Enable Register (RX_SOP_IRQ_EN) . This bit can only be cleared by clearing or disabling the bit(s) in the RX SOP Interrupt Status Register (RX_SOP_IRQ_STAT) .	RO	0b
3	PM_IRQ_STAT Power Management status. This bit is set when any bit in the Power Management Interrupt Status Register (PM_IRQ_STAT) is set and enabled via the Power Management Interrupt Enable and Control Register (PM_IRQ_EN) . This bit can only be cleared by clearing or disabling the bit(s) in the Power Management Interrupt Status Register (PM_IRQ_STAT) .	RO	0b
2	RX_ERR_IRQ_STAT RX Error status. This bit is set when any bit in the RX Error Interrupt Status Register (RX_ERR_IRQ_STAT) is set and enabled via the RX Error Interrupt Enable Register (RX_ERR_IRQ_EN) . This bit can only be cleared by clearing or disabling the bit(s) in the RX Error Interrupt Status Register (RX_ERR_IRQ_STAT) .	RO	0b
1	RX_IRQ_STAT RX status. This bit is set when any bit in the RX Interrupt Status Register (RX_IRQ_STAT) is set and enabled via the RX Interrupt Enable Register (RX_IRQ_EN) . This bit can only be cleared by clearing or disabling the bit(s) in the RX Interrupt Status Register (RX_IRQ_STAT) .	RO	0b
0	TX_IRQ_STAT TX status. This bit is set when any bit in the TX Interrupt Status Register (TX_IRQ_STAT) is set and enabled via the TX Interrupt Enable Register (TX_IRQ_EN) . This bit can only be cleared by clearing or disabling the bit(s) in the TX Interrupt Status Register (TX_IRQ_STAT) .	RO	0b

UPD360

11.4.3.2 TX Interrupt Status Register (TX_IRQ_STAT)

Address: 1A81h Size: 8 bits

This register reflects the status of various [TX_IRQ_STAT](#) sources. Whether an interrupt is generated or not depends on the values in the [TX Interrupt Enable Register \(TX_IRQ_EN\)](#).

Bits in this register are set by hardware and must be cleared by software.

Bits	Description	Type	Default
7	AUTO_RSP_ABORTED A TX auto-response message was aborted. Reason for why the TX was aborted may be determined by reading the TX Auto-Response Abort Status Register (TX_AR_ABORT_STAT) .	R/W1C	0b
6	AUTO_RSP_SENT Hardware has sent an auto-response. This bit is set when hardware is finished sending an auto-response.	R/W1C	0b
5	OK_TO_TX It is now OK to transmit. This bit is set when OK_TO_TX bit in TX Control Register B (TX_CTL_B) changes from 0 to 1 indicating that it is OK for software to initiate transmission.	R/W1C	1b
4	CRC_RCV_TIMEOUT CRC Receive Timer expired. This is a TX failure. This interrupt should be enabled only when Automatic Retry Mode is disabled. The EN_CRC_RCV_TMR bit in the RX Control Register A (RX_CTL_A) must be set to enable the timer for use by software. Note: CRC Receive Timer is also used in BIST Mode to time reception of BIST Error Count message.	R/W1C	0b
3	TX_EOP Hardware is done sending a packet. Note this does not mean that a valid EOP framing symbol was sent. It only means that packet transmission ended, i.e., transmitter was turned off. This bit set after each TX attempt. This can be used to signal when a Hard or Cable Reset is finished transmission since it does not have a GoodCRC response so the TX_DONE bit will not be set - or if Auto Retry Mode is disabled in which case the hardware is done when the transmitter turns off. This bit is used by software to trigger internal timers. Software must be carefully when it enables/disables this interrupt because this bit is set after each TX completion.	R/W1C	0b
2	TX_ABORTED A TX message was aborted. Reason for why the TX was aborted may be determined by reading the TX Abort Status Register (TX_ABORT_STAT) .	R/W1C	0b

Bits	Description	Type	Default
1	<p>TX_FAILED Applicable in Auto Retry Mode only (or when GoodCRC timer is enabled).</p> <p>This interrupt indicates a TX message request failed to complete for one of the following reasons:</p> <ul style="list-style-type: none"> • GoodCRC timer expired • Maximum number of retries exceeded <p>Note: Software may enable the GoodCRC timer without enabling Auto Retry. In this case this interrupt will be generated when GoodCRC timer expires. It is software's responsibility to disable the GoodCRC timer on reception of GoodCRC message to prevent generation of this interrupt.</p>	R/W1C	0b
0	<p>TX_DONE Applicable in Auto Retry Mode only. A TX message request is successfully completed, i.e., the message is acknowledged with GoodCRC by recipient.</p> <p>This bit is not set for messages that don't get a GoodCRC message, i.e., Hard or Cable Reset. TX_EOP should be used in such situations.</p> <p>When Auto Retry Mode is disabled, TX_EOP should be used to determine when packet is done transmitting.</p>	R/W1C	0b

11.4.3.3 RX Interrupt Status Register (RX_IRQ_STAT)

Address: **1A82h** Size: 8 bits

This register reflects the status of various **RX_IRQ_STAT** sources. Whether an interrupt is generated or not depends on the values in the **RX Interrupt Enable Register (RX_IRQ_EN)**.

Bits in this register are set by hardware and must be cleared by software.

Bits	Description	Type	Default
7	<p>RX_FIFO_NOT_EMPTY RX FIFO is not empty. This bit is set whenever the RX FIFO has data to be read. Typically set when a valid packet is finished being received and cleared once all data has been read.</p> <p>Note: This bit is read only and is cleared once the FIFO is empty.</p>	RO	0b
6	<p>LINE_WENT_IDLE Line is now idle. This bit is set when hardware detects no activity on the PD bus.</p> <p>Note: This bit is not line status, it is an event. If line is already idle when this interrupt is enabled, this bit will be set immediately. If line is busy when this interrupt is enabled, this bit will be set when line goes idle.</p> <p>Software can use this to be informed when either TX is over or RX is over.</p> <p>This will only work while clocks are enabled.</p>	R/W1C	1b
5	<p>RX_CABLE_RST Cable Reset Message received.</p>	R/W1C	0b
4	RESERVED	RO	-
3	<p>RX_HARD_RST Hard Reset Message received.</p>	R/W1C	0b

UPD360

Bits	Description	Type	Default
2	RX_EOP Hardware detected valid EOP framing. A bad EOP or abnormal termination will cause packet to be dropped. This bit is set for only of frames that started with an SOP type that was enabled via the RX Control Register B (RX_CTL_B) .	R/W1C	0b
1	RX_SOP Hardware detected valid SOP framing sequence. This bit is set for any SOP type that is enabled via the RX Control Register B (RX_CTL_B) .	R/W1C	0b
0	RX_DONE RX message is successfully received. The following conditions apply: <ul style="list-style-type: none">• In Auto Retry Mode, expected GoodCRC messages are dropped and therefore not indicated.• In Auto Response Mode, duplicate packets are dropped and therefore not indicated Note: In Auto Response Mode, this bit is set before the GoodCRC response is sent and regardless of its successful transmission.	R/W1C	0b

11.4.3.4 RX Error Interrupt Status Register (RX_ERR_IRQ_STAT)

Address: 1A83h Size: 8 bits

This register reflects the status of various [RX_ERR_IRQ_STAT](#) sources. Whether an interrupt is generated or not depends on the values in the [RX Error Interrupt Enable Register \(RX_ERR_IRQ_EN\)](#).

Bits in this register are set by hardware and must be cleared by software.

Bits	Description	Type	Default
7	<p>DBG_EVENT Debug event occurred:</p> <ul style="list-style-type: none"> Count of packets with bad CRC reached limit. Provides indication of link quality. Count of duplicate packets reached limit. Provides indication dropped GoodCRC packets by receiver. <p>Note: Software must read both count registers in order to determine which of the above two conditions caused the event.</p> <p>Note: Unlike other RX IRQ status bits, which are triggered by strobes, this bit is persistent, i.e., if the register causing the interrupt is not cleared prior to clearing the interrupt then this bit will set again.</p>	R/W1C	0b
6:4	RESERVED	RO	-
3	<p>RX_BAD_PKT Received corrupt packet (Bad CRC, Symbol Error, Oversize or ODD nibble count). RX_PKT_STAT[0] (BAD_CRC), RX_PKT_STAT[5] (SYM_ERROR), RX_PKT_STAT[6] (ODD_NIBBLES) or RX_PKT_STAT[3] (RX_OVER_SIZE) in the RX Packet Status Register (RX_PKT_STAT) will be set.</p>	R/W1C	0b
2	<p>RX_BUF_OVR_RUN Receiving packet but no buffer space available. In this case, the RX_PKT_STAT[4] (RX_FIFO_FULL) bit in the RX Packet Status Register (RX_PKT_STAT) will be set.</p> <p>Received packet will be dropped.</p>	R/W1C	0b
1	<p>RX_PCOL_ERROR Applicable to Auto Retry Mode only. Hardware detected protocol error. i.e., received other than GoodCRC or Ping message when a GoodCRC message was expected.</p> <p>Received message will be placed in RXQ and RX_DONE be will be set.</p> <p>Auto Retry will be aborted and TX_ABORTED bit will be set.</p>	R/W1C	0b
0	<p>RX_PKT_DROPPED RX packet is dropped due to:</p> <ul style="list-style-type: none"> Duplicate packet in Auto Response Mode GoodCRC message in Auto Retry Mode 	R/W1C	0b

UPD360

11.4.3.5 Power Management Interrupt Status Register (PM_IRQ_STAT)

Address: [1A84h](#) Size: 8 bits

This register reflects the status of various [PM_IRQ_STAT](#) sources. Whether an interrupt is generated or not depends on the values in the [Power Management Interrupt Enable and Control Register \(PM_IRQ_EN\)](#).

Bits in this register are set by hardware and must be cleared by software.

Bits	Description	Type	Default
7:1	RESERVED	RO	-
0	UPD_ACT_WS USB PD activity detected. Set asynchronously by assertion of the receive input signal at the beginning of any activity. To prevent metastability this interrupt should only be enabled when software plans to stop the clocks. Clearing the USB_PD_ACT_WS_EN bit will actually prevent this bit from being set unlike the other interrupt status bits. This bit is not affected by either UPD_CLK_STOP_EN or UPD_WU_EN . USB PD Activity status is available in other register bits during normal operation.	R/W1C	0b

11.4.3.6 RX SOP Interrupt Status Register (RX_SOP_IRQ_STAT)

Address: [1A85h](#) Size: 8 bits

This register reflects the status of the occurrence of various received SOP types. The SOP type does not need to be enabled via the [RX Control Register B \(RX_CTL_B\)](#) in order for a status bit to be set. Whether an interrupt is generated or not depends on the value of the [RX SOP Interrupt Enable Register \(RX_SOP_IRQ_EN\)](#).

The bits in this register are not cascaded into the RX Interrupt Status Register but instead are enabled and OR'ed into their own interrupt signal output.

Bits in this register are set by hardware and must be cleared by software.

Bits	Description	Type	Default
7:5	RESERVED	RO	-
4:0	RX_SOP Hardware detected valid SOP framing sequence. Bit 0: SOP Bit 1: SOP' Bit 2: SOP" Bit 3: SOP'_Debug Bit 4: SOP''_Debug	R/W1C	00000b

11.4.3.7 TX Interrupt Enable Register (TX_IRQ_EN)

Address: [1A86h](#) Size: 8 bits

Setting a bit in this register will enable to corresponding source to generate an interrupt. Note that only interrupt generation is affected. The [TX Interrupt Status Register \(TX_IRQ_STAT\)](#) will still reflect the status of the event.

All interrupts are disabled after POR.

Bits	Description	Type	Default
7	AUTO_RSP_ABORTED_EN Setting this bit enables the AUTO_RSP_ABORTED interrupt.	R/W	0b
6	AUTO_RSP_SENT_EN Setting this bit enables the AUTO_RSP_SENT interrupt.	R/W	0b
5	OK_TO_TX_EN Setting this bit enables the OK_TO_TX interrupt.	R/W	0b
4	CRC_RCV_TIMEOUT_EN Setting this bit enables the CRC_RCV_TIMEOUT interrupt.	R/W	0b
3	TX_EOP_EN Setting this bit enables the TX_EOP interrupt.	R/W	0b
2	TX_ABORTED_EN Setting this bit enables the TX_ABORTED interrupt.	R/W	0b
1	TX_FAILED_EN Setting this bit enables the TX_FAILED interrupt.	R/W	0b
0	TX_DONE_EN Setting this bit enables the TX_DONE interrupt.	R/W	0b

11.4.3.8 RX Interrupt Enable Register (RX_IRQ_EN)

Address: [1A87h](#) Size: 8 bits

Setting a bit in this register will enable to corresponding source to generate an interrupt. Note that only interrupt generation is affected. The [RX Interrupt Status Register \(RX_IRQ_STAT\)](#) will still reflect the status of the event.

All interrupts are disabled after POR.

Bits	Description	Type	Default
7	RX_FIFO_NOT_EMPTY_EN Setting this bit enables the RX_FIFO_NOT_EMPTY interrupt.	R/W	0b
6	LINE_WENT_IDLE_EN Setting this bit enables the LINE_WENT_IDLE interrupt.	R/W	0b
5	RX_CABLE_RST_EN Setting this bit enables the RX_CABLE_RST interrupt.	R/W	0b
4	RESERVED	RO	-
3	RX_HARD_RST_EN Setting this bit enables the RX_HARD_RST interrupt.	R/W	0b
2	RX_EOP_EN Setting this bit enables the RX_EOP interrupt.	R/W	0b
1	RX_SOP_EN Setting this bit enables the RX_SOP interrupt.	R/W	0b
0	RX_DONE_EN Setting this bit enables the RX_DONE interrupt.	R/W	0b

UPD360

11.4.3.9 RX Error Interrupt Enable Register (RX_ERR_IRQ_EN)

Address: 1A88h Size: 8 bits

Setting a bit in this register will enable to corresponding source to generate an interrupt. Note that only interrupt generation is affected. The [RX Error Interrupt Status Register \(RX_ERR_IRQ_STAT\)](#) will still reflect the status of the event.

All interrupts are disabled after POR.

Bits	Description	Type	Default
7	DBG_EVENT_EN Setting this bit enables the DBG_EVENT interrupt.	R/W	0b
6:4	RESERVED	RO	-
3	RX_BAD_PKT_EN Setting this bit enables the RX_BAD_PKT interrupt.	R/W	0b
2	RX_BUF_OVR_RUN_EN Setting this bit enables the RX_BUF_OVR_RUN interrupt.	R/W	0b
1	RX_PCOL_ERROR_EN Setting this bit enables the RX_PCOL_ERROR interrupt.	R/W	0b
0	RX_PKT_DROPPED_EN Setting this bit enables the RX_PKT_DROPPED interrupt.	R/W	0b

11.4.3.10 Power Management Interrupt Enable and Control Register (PM_IRQ_EN)

Address: 1A89h Size: 8 bits

Setting a bit in this register will enable to corresponding source to generate an interrupt. Note that only interrupt generation is affected. The [Power Management Interrupt Status Register \(PM_IRQ_STAT\)](#) will still reflect the status of the event.

All interrupts are disabled after POR. This register also enables clock start and stop requests.

Bits	Description	Type	Default
7:4	RESERVED	RO	-
3	UPD_CLK_STOP_EN If this bit is set, the MAC, upon going idle, will request that the system clock be stopped. If this bit is cleared, software is responsible to return the device to sleep mode. This bit does not affect the wake up interrupt (UPD_ACT_WS) generation. Note: This bit does not affect the MAC's indication that it requires the clock. Even if this bit is cleared, the MAC, once it is idle, will indicate that it does not need the clock.	R/W	0b

Bits	Description	Type	Default
2	<p>UPD_WU_EN If this bit is set, the MAC, upon detecting receive activity, will request that the system clock be started.</p> <p>This bit does not affect the wake up interrupt (UPD_ACT_WS) generation.</p> <p>Note: Once clocks have been started, this bit does not affect the MAC's indication that it requires the clock. Even if this bit is cleared, the MAC, once it is non-idle (i.e. squelch is active), will indicate that it requires the clock. Only the period between the asynchronous wake up and the start of squelch is affected.</p>	R/W	0b
1	RESERVED	RO	-
0	<p>USB_PD_ACT_WS_EN Setting this bit enables the UPD_ACT_WS interrupt.</p>	R/W	0b

11.4.3.11 RX SOP Interrupt Enable Register (RX_SOP_IRQ_EN)

Address: [1A8Ah](#) Size: 8 bits

Setting a bit in this register will enable to corresponding source to generate an interrupt. Note that only interrupt generation is affected. The [RX SOP Interrupt Status Register \(RX_SOP_IRQ_STAT\)](#) will still reflect the status of the event.

All interrupts are disabled after POR.

Bits	Description	Type	Default
7:5	RESERVED	RO	-
4:0	<p>RX_SOP_EN Setting a bit enables the corresponding RX_SOP interrupt.</p> <p>Bit 0: SOP Bit 1: SOP' Bit 2: SOP" Bit 3: SOP'_Debug Bit 4: SOP''_Debug</p>	R/W	00000b

UPD360

11.4.3.12 Reset Control Register (RESET_CTL)

Address: [1A8Bh](#) Size: 8 bits

Bits	Description	Type	Default
7	<p>SW_RESET Software generated PD MAC reset. Software can use this bit to reset the PD MAC to its POR state.</p> <p>Software should toggle this bit, i.e., set it and clear it. After clearing this bit, software will have to re initialize the PD MAC, including the BMC registers.</p> <p>This bit is reset by RESET_N.</p>	R/W	0b
6	<p>BMC_SW_RESET Software generated BMC reset. Software can use this bit to reset the BMC encoder/decoder to its POR state.</p> <p>Software should toggle this bit, i.e., set it and clear it. The BMC registers are NOT affected by this reset.</p>	R/W	0b
5:1	RESERVED	RO	-
0	<p>PD_RESET Software should set this bit when it is done processing a PD Hard Reset, Cable Reset or Cable Reset so hardware can return to PD Reset state. Software should toggle this bit, i.e., set it and clear it.</p> <p>The following are reset by PD_RESET:</p> <ul style="list-style-type: none"> • RX_CTL FSM goes to POR state except Hard and Cable Reset processing remains enabled if it was previously enabled by enabling the receiver. • TX_CTL FSM goes to POR state. • TX parallel to serial and 4b5b encoder • TX Control Register B (TX_CTL_B) GO, TX_HARD_RESET, TX_CABLE_RESET bits • TX Parameters Register A (TX_PARAM_A) EN_FWTX bit <p>The following are not reset:</p> <ul style="list-style-type: none"> • All PD MAC registers, except as listed above. • Various TX packet counters are NOT reset (NUM_PD_PACKETS_SENT, NUM_MISSING_GCRC_MSG, NUM_MISSING_GCRC_MSG_SENT). • Various RX packet counters are NOT reset (RX_BADCRC_PKT_CNT, RX_DUP_PKT_CNT, NUM_PD_PACKETS_RECVD). • RX FIFO is NOT reset. • RX CDR, 4b5b decoder, and CRC are not reset. • TX IFG timer and CRC are not reset. • BIST and Power Management functions are not reset. • BMC encoder/decoder. 	R/W	0b

11.4.4 PD MAC BMC ENCODER/DECODER REGISTERS

The following sub-sections describe the various registers associated with the PD MAC BMC Encoder/Decoder.

11.4.4.1 BMC RX High Level Full Bit Maximum Time Register (BMC_RX_HI_FB_MAX_TIME)

Address: [1AA0h](#) Size: 8 bits

The value of this register together with the value of the [BMC RX High Level Full Bit Minimum Time Register \(BMC_RX_HI_FB_MIN_TIME\)](#) is used by the BMC decoder to determine the valid full bit time for a high level RX signal. This time should take into account both the bit rate range and duty cycle distortion of the received signal.

BMC_RX_HI_FB_MAX_TIME > valid high time > BMC_RX_HI_FB_MIN_TIME

Bits	Description	Type	Default
7:0	BMC_RX_HI_FB_MAX_TIME Time in clock cycles at minimum bit-rate and worst duty cycle distortion. $= (((\text{clock_freq_KHz} / \text{min_bit_rate_Kbps}) * (100 + \text{tolerance}) / 100) - 1)$ Note: A value of 202 (decimal) is recommended for this field.	R/W	00h

11.4.4.2 BMC RX High Level Full Bit Minimum Time Register (BMC_RX_HI_FB_MIN_TIME)

Address: [1AA1h](#) Size: 8 bits

The value of this register together with the value of the [BMC RX High Level Full Bit Maximum Time Register \(BMC_RX_HI_FB_MAX_TIME\)](#) is used by the BMC decoder to determine the valid full bit time for a high level RX signal. This time should take into account both the bit rate range and duty cycle distortion of the received signal.

BMC_RX_HI_FB_MAX_TIME > valid high time > BMC_RX_HI_FB_MIN_TIME

BMC_RX_HI_FB_MIN_TIME > BMC_RX_HI_FB_MAX_TIME

Bits	Description	Type	Default
7:0	BMC_RX_HI_FB_MIN_TIME Time in clock cycles at maximum bit-rate and worst duty cycle distortion. $= (((\text{clock_freq_KHz} / \text{max_bit_rate_Kbps}) * (100 - \text{tolerance}) / 100) - 1)$ Note: A value of 116 (decimal) is recommended for this field.	R/W	00h

11.4.4.3 BMC RX Low Level Full Bit Maximum Time Register (BMC_RX_LO_FB_MAX_TIME)

Address: [1AA2h](#) Size: 8 bits

The value of this register together with the value of the [BMC RX Low Level Full Bit Minimum Time Register \(BMC_RX_LO_FB_MIN_TIME\)](#) is used by the BMC decoder to determine the valid full bit time for a low level RX signal. This time should take into account both the bit rate range and duty cycle distortion of the received signal.

BMC_RX_LO_FB_MAX_TIME > valid low time > BMC_RX_LO_FB_MIN_TIME

Bits	Description	Type	Default
7:0	BMC_RX_LO_FB_MAX_TIME Time in clock cycles at minimum bit-rate and worst duty cycle distortion. $= (((\text{clock_freq_KHz} / \text{min_bit_rate_Kbps}) * (100 + \text{tolerance}) / 100) - 1)$ Note: A value of 202 (decimal) is recommended for this field.	R/W	00h

UPD360

11.4.4.4 BMC RX Low Level Full Bit Minimum Time Register (BMC_RX_LO_FB_MIN_TIME)

Address: 1AA3h Size: 8 bits

The value of this register together with the value of the [BMC RX Low Level Full Bit Maximum Time Register \(BMC_RX_LO_FB_MAX_TIME\)](#) is used by the BMC decoder to determine the valid full bit time for a low level RX signal. This time should take into account both the bit rate range and duty cycle distortion of the received signal.

BMC_RX_LO_FB_MAX_TIME > valid low time > BMC_RX_LO_FB_MIN_TIME

BMC_RX_LO_FB_MIN_TIME > BMC_RX_LO_HB_MAX_TIME

Bits	Description	Type	Default
7:0	BMC_RX_LO_FB_MIN_TIME Time in clock cycles at maximum bit-rate and worst duty cycle distortion. $= (((\text{clock_freq_KHz} / \text{max_bit_rate_Kbps}) * (100 - \text{tolerance}) / 100) - 1)$ Note: A value of 116 (decimal) is recommended for this field.	R/W	00h

11.4.4.5 BMC RX High Level Half Bit Maximum Time Register (BMC_RX_HI_HB_MAX_TIME)

Address: 1AA4h Size: 8 bits

The value of this register together with the value of the [BMC RX High Level Half Bit Minimum Time Register \(BMC_RX_HI_HB_MIN_TIME\)](#) is used by the BMC decoder to determine the valid half bit time for a high level RX signal. This time should take into account both the bit rate range and duty cycle distortion of the received signal.

BMC_RX_HI_HB_MAX_TIME > valid high time > BMC_RX_HI_HB_MIN_TIME

Bits	Description	Type	Default
7:0	BMC_RX_HI_HB_MAX_TIME Time in clock cycles at minimum bit-rate and worst duty cycle distortion. $= ((1 / 2) * ((\text{clock_freq_KHz} / \text{min_bit_rate_Kbps}) * (100 + \text{tolerance}) / 100) - 1)$ Note: A value of 110 (decimal) is recommended for this field.	R/W	00h

11.4.4.6 BMC RX High Level Half Bit Minimum Time Register (BMC_RX_HI_HB_MIN_TIME)

Address: 1AA5h Size: 8 bits

The value of this register together with the value of the [BMC RX High Level Half Bit Maximum Time Register \(BMC_RX_HI_HB_MAX_TIME\)](#) is used by the BMC decoder to determine the valid half bit-time for a high level RX signal. This time should take into account both the bit rate range and duty cycle distortion of the received signal.

BMC_RX_HI_HB_MAX_TIME > valid high time > BMC_RX_HI_HB_MIN_TIME

BMC_RX_HI_FB_MIN_TIME > BMC_RX_HI_HB_MAX_TIME

Bits	Description	Type	Default
7:0	BMC_RX_HI_HB_MIN_TIME Time in clock cycles at maximum bit-rate and worst duty cycle distortion. $= ((1 / 2) * ((\text{clock_freq_KHz} / \text{max_bit_rate_Kbps}) * (100 - \text{tolerance}) / 100) - 1)$ Note: A value of 48 (decimal) is recommended for this field.	R/W	00h

11.4.4.7 BMC RX Low Level Half Bit Maximum Time Register (BMC_RX_LO_HB_MAX_TIME)

Address: [1AA6h](#) Size: 8 bits

The value of this register together with the value of the [BMC RX Low Level Half Bit Minimum Time Register \(BMC_RX_LO_HB_MIN_TIME\)](#) is used by the BMC decoder to determine the valid half bit-time for a low level RX signal. This time should take into account both the bit rate range and duty cycle distortion of the received signal.

BMC_RX_LO_HB_MAX_TIME > valid low time > BMC_RX_LO_HB_MIN_TIME

Bits	Description	Type	Default
7:0	BMC_RX_LO_HB_MAX_TIME Time in clock cycles at minimum bit-rate and worst duty cycle distortion. $= ((1 / 2) * ((\text{clock_freq_KHz} / \text{min_bit_rate_Kbps}) * (100 + \text{tolerance}) / 100) - 1)$ Note: A value of 110 (decimal) is recommended for this field.	R/W	00h

11.4.4.8 BMC RX Low Level Half Bit Minimum Time Register (BMC_RX_LO_HB_MIN_TIME)

Address: [1AA7h](#) Size: 8 bits

The value of this register together with the value of the [BMC RX Low Level Half Bit Maximum Time Register \(BMC_RX_LO_HB_MAX_TIME\)](#) is used by the BMC decoder to determine the valid half bit-time for a low level RX signal. This time should take into account both the bit rate range and duty cycle distortion of the received signal.

BMC_RX_LO_HB_MAX_TIME > valid low time > BMC_RX_LO_HB_MIN_TIME

BMC_RX_LO_FB_MIN_TIME > BMC_RX_LO_HB_MAX_TIME

Bits	Description	Type	Default
7:0	BMC_RX_LO_HB_MIN_TIME Time in clock cycles at maximum bit-rate and worst duty cycle distortion. $= ((1 / 2) * ((\text{clock_freq_KHz} / \text{max_bit_rate_Kbps}) * (100 - \text{tolerance}) / 100) - 1)$ Note: A value of 48 (decimal) is recommended for this field.	R/W	00h

UPD360

11.4.4.9 BMC RX Squelch Assert Time Register (BMC_RX_SQL_ASSERT_TIME)

Address: 1AA8h Size: 8 bits

The value of this register is used by the BMC decoder to determine when there is a valid signal. If three edges of the receive signal are seen within this time, then the “squelch” goes active. This time should take into account the minimum bit rate but does not need to account for the duty cycle distortion of the received signal.

Bits	Description	Type	Default
7:0	BMC_RX_SQL_ASSERT_TIME Time in clock cycles x 4 at minimum bit-rate. assert time uS = $(\text{BMC_RX_SQL_ASSERT_TIME} \times 4 + 1) / \text{clock_freq MHz}$ A typical assert time would be 3 maximum half bit times plus desired tolerance. Note: A value of 70 (decimal) is recommended for this field.	R/W	00h

11.4.4.10 BMC RX Squelch Hold Time Register (BMC_RX_SQL_HOLD_TIME)

Address: 1AA9h Size: 8 bits

The value of this register is used by the BMC decoder to provide time for the CDR circuit to output the final bit of data. A typical hold time would be 1 maximum half bit time pulse desired tolerance.

Note: The Squelch Drop time is based on the BMC RX Maximum High and Low Time registers.

Bits	Description	Type	Default
7:0	BMC_RX_SQL_HOLD_TIME Time in clock cycles x 4 at minimum bit-rate. hold time uS = $(\text{BMC_RX_SQL_HOLD_TIME} \times 4 + 1) / \text{clock_freq MHz}$ typical value = $((1 / 2) * ((\text{clock_freq_KHz} / \text{min_bit_rate_Kbps}) * (100 + \text{tolerance}) / 100) - 1) / 4$ Note: A value of 23 (decimal) is recommended for this field.	R/W	00h

11.4.4.11 BMC TX Bit-Time Count Register (BMC_TX_BITTIME_CNT)

Address: [1AB0h](#) Size: 8 bits

Bits	Description	Type	Default
7:0	<p>BMC_TX_BIT_TIME_CNT Bit-time counter value. The BMC encoder uses this value to determine the bit-timing for the last bit of data. This register can be used to adjust bit-time for testing purpose (adjusting bitrate).</p> <p>Count value is based on clock frequency and is given by: $((\text{Clock Freq KHz} / \text{Bit Rate Kbps}) - 1)$ i.e., Clock Frequency = 48000KHz (48MHz) Nominal Bit Rate = 300 Kbps $\text{bit_time_cnt} = (48000 / 300) - 1 = 159$</p> <p>Note: A value of 159 (decimal) is recommended for this field.</p>	R/W	00h

11.4.4.12 BMC Transition Window Time Register (BMC_TRANSITION_WINDOW_TIME)

Address: [1AB1h](#) Size: 8 bits

The value of this register is used by the BMC decoder to determine when the line is IDLE. Detection is active when 3 transitions occur at the receiver within a time window of [BMC_TRANSITION_WINDOW_TIME](#). After waiting [BMC_TRANSITION_WINDOW_TIME](#) without detecting 3 transitions, the bus is considered idle. The USB PD Specification calls for 12uS minimum and 20uS maximum.

Bits	Description	Type	Default
7:0	<p>BMC_TRANSITION_WINDOW_TIME Time in clock cycles x 4</p> <p>$\text{transition time } \mu\text{S} = (\text{BMC_TRANSITION_WINDOW_TIME} \times 4) / \text{clock_freq MHz}$</p> <p>Per the USB PD Specification, this value should be set between 12uS and 20uS. This would be a value between 144 and 240 at 48MHz.</p> <p>Note: Unlike the TX Turnaround Time Register (TX_TA_TIME), this hardware does not use a pre-scaler, therefore the time specified is accurate.</p> <p>Note: A value of 200 (decimal) is recommended for this field.</p>	R/W	00h

UPD360

11.4.5 PD MAC BIST REGISTERS

The following sub-sections describe the various registers associated with the PD MAC Built-In Self Test (BIST).

11.4.5.1 BIST Control Register A (BIST_CTL_A)

Address: [1AC0h](#) Size: 8 bits

Bits	Description	Type	Default
7:5	RESERVED	RO	-
4	BIST_RX_EN Enable BIST Receiver. Setting this bit will: <ul style="list-style-type: none">• Enable the BIST receiver.• Reset the PRBS generator in the BIST RX logic so it is ready to compare incoming BIST PRBS pattern.• Reset the BIST error count registers (BIST Error Count High Register (BIST_ERR_CNT_HI) and BIST Error Count Low Register (BIST_ERR_CNT_LO)). Normally this bit is set only when BIST receiver mode is required; however, this bit can be set to enable loopback BIST testing by disabling Automatic Response Mode and enabling the RX loopback (setting the EN_LOOPBACK bit in the RX Control Register A (RX_CTL_A)). This bit must be cleared and set by software every time a new BIST RX request comes in. Note: In BIST loopback test mode, BIST TX must be manually triggered for each TX packet since functional receiver path is disabled.	R/W	0b
3	BIST_EN Enable BIST. Set this bit when BIST logic is activated. This bit together with the EN_LOOPBACK bit in the RX Control Register A (RX_CTL_A) is used by hardware to block received data from going into functional path. This means that when loopback is enabled in BIST mode hardware cannot detect hard reset. This bit also powers up the BMC transmitter for BIST mode operation. Software should set this bit for a sufficient amount of time (5us) before trigger transmission of BIST frame via BIST_TX_START/BIST_TX_STATUS .	R/W	0b
2:0	BIST_TX_MODE Set BIST Test Mode. Only the following mode is supported: 010b: BIST Carrier Test Mode-2 (alternating '1's and '0's) All other modes are reserved and should not be used.	R/W	000b

11.4.5.2 BIST Control Register B (BIST_CTL_B)

Address: 1AC1h Size: 8 bits

Bits	Description	Type	Default
7:3	RESERVED	RO	-
2	BIST_CLR_ERR_CNT Clears the BIST error count registers BIST Error Count High Register (BIST_ERR_CNT_HI) and BIST Error Count Low Register (BIST_ERR_CNT_LO) .	WO	0b
1	BIST_TX_RST Reset the TX logic and PRBS generator. Software must set this bit once before starting the BIST test, i.e., setting BIST_TX_START/BIST_TX_STATUS bit for the first time. Since this bit resets the PRBS generator it should not be set again until the current BIST test is ended. This bit is not latched and will always read '0' The PRBS generator cannot be reset by BIST_TX_START/BIST_TX_STATUS because that would reset it for each TX BIST frame. This bit should be used to stop the continuous BIST TX mode (2). It may take up to 1 bit time for the TX to stop. BIST_EN should not be cleared until after this time. Note: If this bit is set simultaneously with BIST_TX_START/BIST_TX_STATUS , it takes precedence and will void BIST_TX_START/BIST_TX_STATUS .	WO	0b
0	BIST_TX_START/BIST_TX_STATUS Start BIST transmission. Setting this bit will trigger transmission of BIST frame. This bit is not latched and reading it will return the status of current BIST transmission. Depending on BIST Mode, transmission will either continue indefinitely (unless BIST_TX_RST is asserted) or stop after sending a BIST PRBS frame. BIST does not support sending of next BIST frame automatically. It must be triggered by software by first clearing and then re-setting this bit. Note: This bit cannot be set simultaneously with BIST_TX_RST . BIST_TX_RST has precedence and will void BIST_TX_START/BIST_TX_STATUS . In BIST RX mode, hardware will automatically send the BIST Error Count message if the EN_AUTO_RSP_MODE bit in the TX Control Register A (TX_CTL_A) is set.	WO/RO	0b

UPD360

11.4.5.3 BIST Error Count High Register (BIST_ERR_CNT_HI)

Address: [1AC2h](#) Size: 8 bits

Bits	Description	Type	Default
7:0	BIST_ERR_CNT_HI[7:0] Upper byte of BIST error count (bits 15-8) (BIST_ERR_CNT[15:8])	RO	00h

11.4.5.4 BIST Error Count Low Register (BIST_ERR_CNT_LO)

Address: [1AC3h](#) Size: 8 bits

Bits	Description	Type	Default
7:0	BIST_ERR_CNT_LO[7:0] Lower byte of BIST error count (bits 7-0) (BIST_ERR_CNT[7:0])	RO	00h

11.4.5.5 BIST RX Status Register (BIST_RX_STAT)

Address: [1AC7h](#) Size: 8 bits

This register is used to help with functional testing. Hardware is configured to transmit BIST PRBS frames. At the same time, loopback mode is enabled and BIST receive mode is enabled. Now when a PRBS frame is transmitted it is also received and compared. This register provides information when the BIST PRBS frame is done receiving and whether there were any errors detected.

Bits	Description	Type	Default
7:2	RESERVED	RO	-
1	BIST_RX_ERROR This bit is valid only when BIST_RX_DONE bit is set. A value of "0" indicates that BIST PRBS frame was received without errors. A value of "1" indicates that BIST PRBS frame was received with errors.	RO	0b
0	BIST_RX_DONE Successfully received a BIST RX FRAME. Writing a "1" to this bit will clear it.	R/W1C	0b

12.0 USB PORT POWER CONTROLLER (PPC)

The device's USB Port Power Controller (PPC) provides 3.0 A of continuous current (3.2 A max) on **VBUS** with precision over-current limiting (OCL), under- and over-voltage lockout, and dynamic thermal management. The PPC also includes a **VBUS** discharge function and constant current mode current limiting for BC 1.2 applications.

Note: The PPC DC and AC parameters can be seen in [Table 16-6, "Port Power Controller DC Parameters," on page 209](#) and [Table 16-12, "Port Power Controller AC Parameters," on page 212](#), respectively.

12.1 PPC Power States

The PPC provides the following power states:

- **Sleep:** This is the lowest PPC power state available. See [Section 12.1.1, "Sleep State Operation"](#) for additional information.
- **Error:** This state is entered when a fault condition exists. The PPC interrupt status registers detail the error condition. See [Section 12.1.3, "Error State Operation"](#) for additional information.
- **Active:** In this state, the PPC is active and sourcing current to **VBUS**. No errors are present. This power state provides full functionality. While in this state, operations include activation of the port power switch and current limiting. See [Section 12.1.2, "Active State Operation"](#) for additional information.

Note: The PPC power state is reflected in the `PWR_STATE[1:0]` field of the [PPC General Configuration 3 Register \(PPC_GENERAL_CFG3\)](#).

12.1.1 SLEEP STATE OPERATION

The **PWR_EN** pin (*UPD360-A/UPD360-B operating in standalone DFP mode only*) may be used to cause the PPC to enter/exit sleep. When the PPC is in the Sleep state, the device will be in its lowest power state. The bypass switch, and the port power switch will be disabled. **VBUS** will be near ground potential.

12.1.2 ACTIVE STATE OPERATION

When the PPC enters the Active state, the port power switch is closed. The PPC cannot be in the Active state (and therefore, the port power switch cannot be turned on) if any of the following conditions exist:

- $V_S < V_{S_UVLO}$ (2.5 V).
- **PWR_EN** is disabled (standalone DFP mode only).

12.1.3 ERROR STATE OPERATION

The PPC will enter the Error state from the Active state when any of the following events are detected:

- The maximum allowable internal die temperature t_{TSD} has been exceeded.
- An over-current condition has been detected.
- An under-voltage condition on **VS** has been detected (see [Section 12.2.1, "Under-Voltage Lockout on VS"](#)).
- A discharge error has been detected.
- An over-voltage condition on the **VS** pin.

When the PPC enters the Error state, the port power switch and the **VBUS** bypass switch will be disabled, and **ALERT** is asserted (by default). They will remain off while in this power state. The PPC will leave this state as determined by the fault handling selection.

With the Auto-recovery fault handler, the PPC will check that all of the error conditions have been removed. If all of the error conditions have been removed, the PPC will return to the Active state. The **ERR_RECOVER** pin is used in standalone DFP mode to select the auto-recovery algorithm.

12.2 Supply Voltages

12.2.1 UNDER-VOLTAGE LOCKOUT ON VS

The PPC requires a minimum voltage V_{S_UVLO} (2.5 V) be present on the **VS** pin for the Active power state.

UPD360

12.2.2 OVER-VOLTAGE DETECTION LOCKOUT ON VS

The port power switch will be disabled if the voltage on the VS pin exceeds a voltage V_{S_OV} for longer than the specified time t_{MASK} (5 ms). This will cause the device to enter the Error state.

12.2.3 PWR_EN INPUT (UPD360-A/UPD360-B ONLY)

In standalone DFP mode, the PWR_EN pin enables the port power switch to be turned on if conditions are met. The port power switch cannot be closed if PWR_EN is disabled. However, if PWR_EN is enabled, the port power switch is not necessarily closed (see Section 12.1.2, "Active State Operation"). The PWR_EN pin state will be ignored by the PPC if the PIN_IGNORE configuration bit is set. Otherwise, the PWR_EN_SET configuration bit is checked along with the PWR_EN pin.

12.3 USB Port Power Switch

To assure compliance to USB Type-C™, the PPC contains a USB port power switch that supports trip current limiting mode.

The current limit (ILIM) is set via the PWR_CAP0 and PWR_CAP1 pins (UPD360-A/UPD360-B only), and may also be updated via the PPC Current Limit Register (PPC_CURRENT_LIMIT). The switch also includes soft start circuitry and a separate short circuit current limit. The port power switch is on in the Active state (except when VBUS is discharging).

Note: If a load that draws between 2 mA and 7 mA is connected to the port power switch, a voltage ripple between 40-90 mV _{PP} is observed at the VBUS output. This behavior is normal and it does not affect the charging process when a portable device is connected.

12.3.1 CURRENT LIMITING

The current limit (ILIM) is set via the PWR_CAP0 and PWR_CAP1 pins (UPD360-A/UPD360-B only). These pins are read at device power-up. The current limit can be changed via the PPC Current Limit Register (PPC_CURRENT_LIMIT) after power-up. However, the programmed current limit cannot exceed the hardware set current limit defined by the PWR_CAP0 and PWR_CAP1 pins.

The UPD360 is pre-configured with appropriate settings to satisfy the USB Type-C™ current limiting requirements and no register writes are necessary to use this internal 5V port power controller, when operating in standalone mode.

12.3.1.1 Short Circuit Output Current Limiting

Short circuit current limiting occurs when the output current is above the selectable current limit (PPC Current Limit Register (PPC_CURRENT_LIMIT)). This event will be detected and the current will immediately be limited within the t_{SHORT_LIM} time. If the condition remains, the port power switch will flag an Error condition and enter the Error state.

12.3.1.2 Soft Start

When the PWR_EN control (UPD360-A/UPD360-B only) changes states to enable the port power switch, the PPC invokes a soft start routine for the duration of the VBUS rise time (t_{R_BUS}). This soft start routine will limit current flow from VS into VBUS while it is active. This circuitry will prevent current spikes due to a step in the portable device current draw.

In the case when a portable device is attached while the PWR_EN pin is already enabled (in standalone DFP mode), or the PWR_EN_SET bit is enabled, if the bus current exceeds ILIM, the PPC current limiter will respond within a specified time (t_{SHORT_LIM}) and will operate normally at this point. The CBUS capacitor will deliver the extra current, if any, as required by the load change.

12.3.1.3 Current Limiting Modes

The PPC current limiting operates in trip mode. This mode is active when the port power switch is closed. When operating in the Detect power state, the current capacity at VBUS is limited to I_{BUS_BYP} .

12.3.1.3.1 Trip Mode

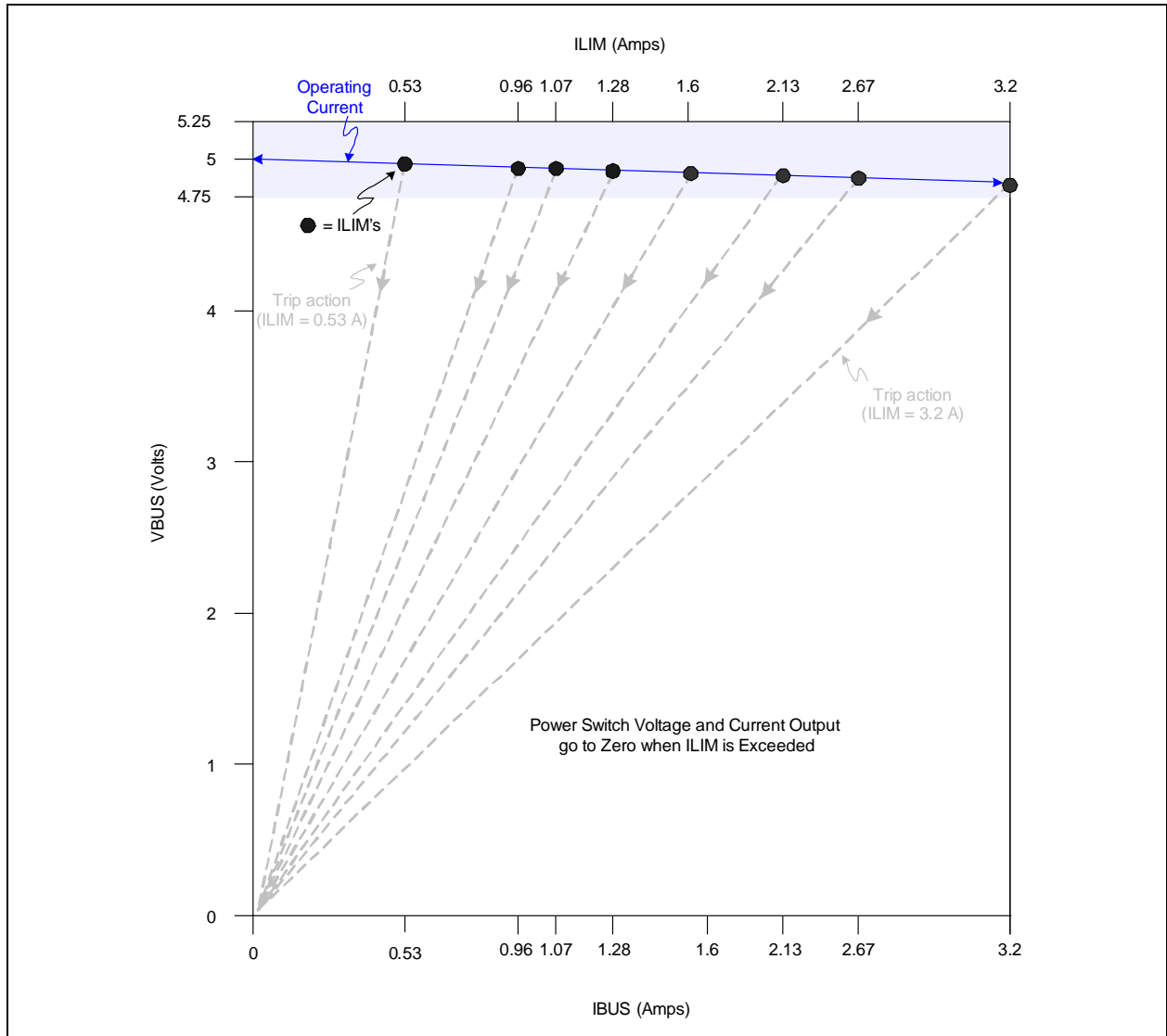
When using trip current limiting, the PPC USB port power switch functions as a low resistance switch and rapidly turns off if the current limit is exceeded. While operating using trip current limiting, the VBUS output voltage will be held relatively constant (equal to the VS voltage minus the $R_{ON_PSW} * I_{BUS}$ current) for all current values up to the ILIM. If the internal temperature exceeds t_{TSD} threshold, the port power switch will open.

If the current drawn by a portable device exceeds ILIM, the following occurs:

1. The port power switch will be turned off (trip action).
2. The PPC will enter the Error state and assert **ALERT**.
3. The fault handling circuitry will then determine subsequent actions.

Figure 12-1 shows operation of current limits in trip mode with the shaded area representing the USB 2.0 specified **VBUS** range. Dashed lines indicate the port power switch output will go to zero (e.g., trip) when ILIM is exceeded. Note that operation at all possible values of ILIM are shown in Figure 12-1 for illustrative purposes only; in actual operation only one ILIM can be active at any time.

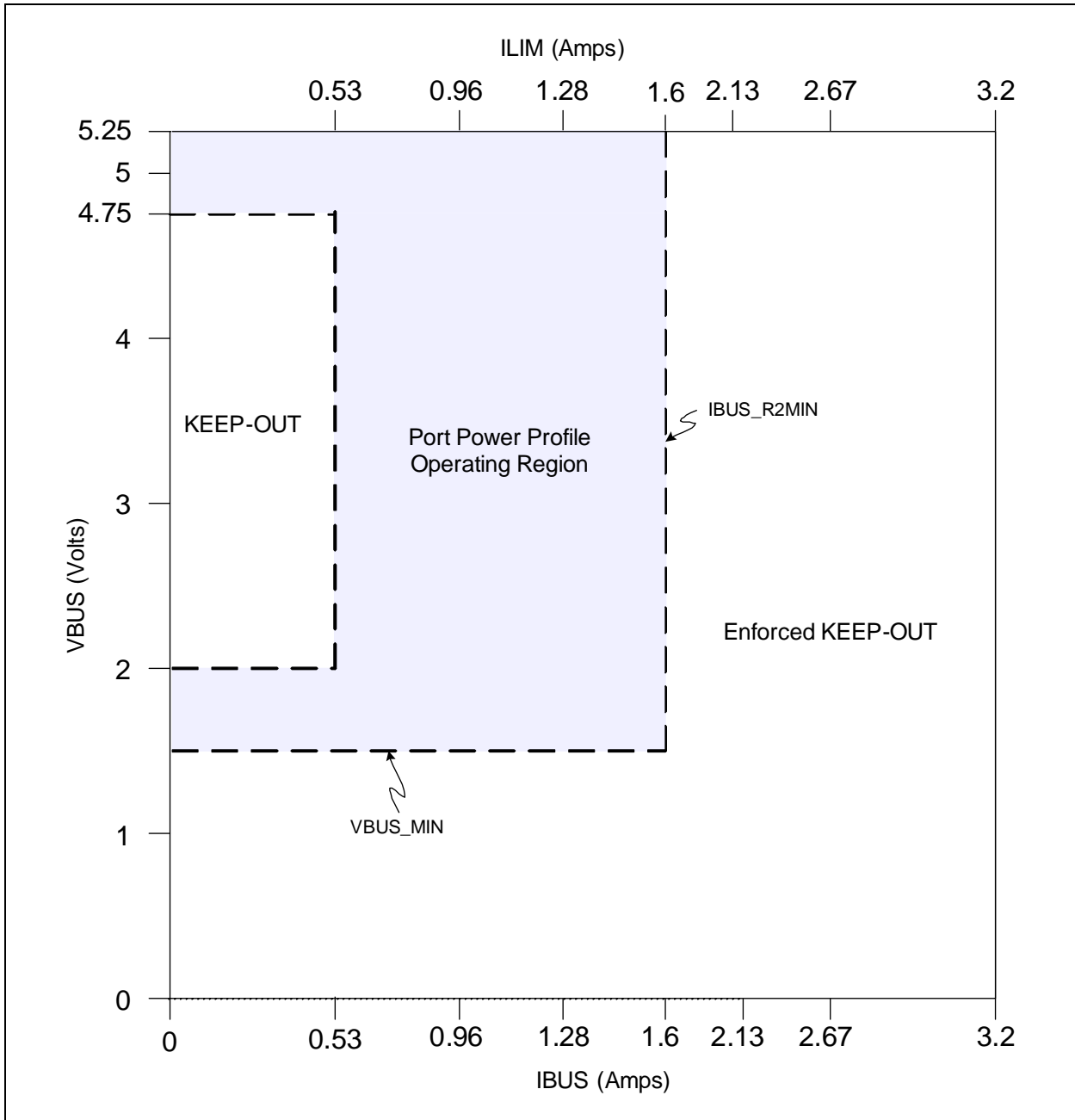
FIGURE 12-1: TRIP CURRENT LIMITING OPERATION



UPD360

Figure 12-2 illustrates the relationship between these USB port power profile parameters.

FIGURE 12-2: PORT POWER PROFILE PARAMETERS EXAMPLE



12.3.2 THERMAL MANAGEMENT

The PPC utilizes internal thermal management:

12.3.2.1 Thermal Shutdown

The thermal management consists of a hardware implemented thermal shutdown corresponding to the maximum allowable internal die temperature (t_{TSD}). If the internal temperature exceeds this value, the port power switches (both ports) will immediately be turned off until the temperature is below $t_{TSD} - t_{TSD_HYST}$.

12.3.3 VBUS DISCHARGE

The PPC will discharge **VBUS** through an internal 100 Ohm resistor when at least one of the following conditions occurs:

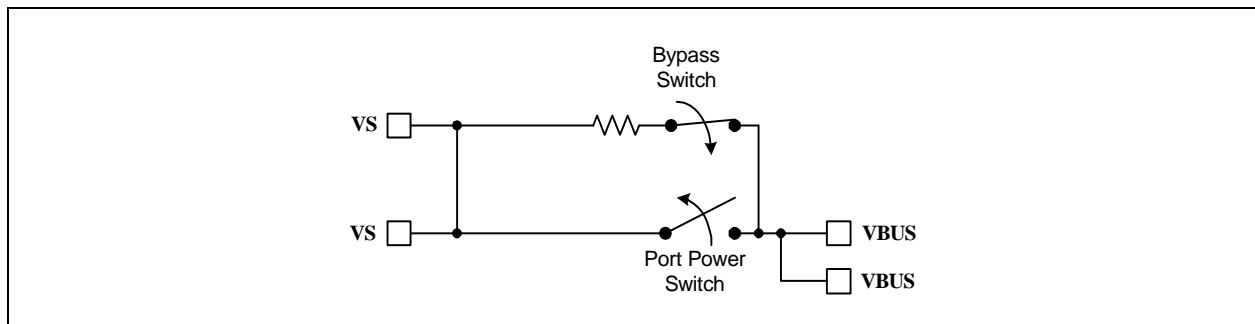
- The **PWR_EN** control (*UPD360-A/UPD360-B only*) is disabled (triggered on the inactive edge of the **PWR_EN** control) (Standalone DFP mode only).
- The **VS** voltage drops below a specified threshold V_{S_UVLO} (2.5 V) that causes the port power switch to be disabled.
- When commanded into the Sleep power state.
- Upon recovery from the Error state.
- When commanded via the **DISCHARGE** bit.
- Any time that the port power switch is activated after the **VBUS** bypass switch has been on.
- Any time that the **VBUS** bypass switch is activated after the port power switch has been on.

When the **VBUS** discharge circuitry is activated, at the end of the $t_{DISCHARGE}$ time, the PPC will confirm that **VBUS** was discharged. If the **VBUS** voltage is not below the V_{TEST} level, a discharge error will be flagged (by setting the **VBUS Discharge Error** bit in the **Power Interrupt Status Register (PWR_INT_STS)**) and the PPC will enter the Error state.

12.4 VBUS Bypass Switch

The device contains circuitry to provide **VBUS** current as shown in [Figure 12-3](#). The **VBUS** bypass switch and the port power switch are never both on at the same time.

FIGURE 12-3: VBUS BYPASS SWITCH



UPD360

12.5 Port Power Controller Registers

This section details the Port Power Controller registers. For an overview of the entire device register map, refer to [Section 4.0, "Register Map,"](#) on page 19.

TABLE 12-1: PORT POWER CONTROLLER REGISTER MAP

Address	Register Name (Symbol)
0400h	PPC VBUS Current Measurement Register (PPC_VBUS_CURRENT)
0401h	Reserved for future expansion
0402h	PPC VBUS Port Status Register (PPC_VBUS_PORT_STS)
0403h	PPC Interrupt Status Register 1 (PPC_INT_STS1)
0404h	PPC Interrupt Status Register 2 (PPC_INT_STS2)
0405h – 040Eh	Reserved for future expansion
040Fh	PPC General Status Register (PPC_GENERAL_STS)
0410h	Reserved for future expansion
0411h	PPC General Configuration 1 Register (PPC_GENERAL_CFG1)
0412h	Reserved for future expansion
0413h	PPC General Configuration 3 Register (PPC_GENERAL_CFG3)
0414h	PPC Current Limit Register (PPC_CURRENT_LIMIT)
0415h – 07FFh	Reserved for future expansion

Note: RESERVED address space must not be written under any circumstances. Failure to heed this warning may result in untoward operation and unexpected results.

12.5.1 PPC VBUS CURRENT MEASUREMENT REGISTER (PPC_VBUS_CURRENT)

Address: 0400h Size: 8 bits

This register stores the measured current value delivered to the external device via the **VBUS** pin. This value is updated continuously while the device is in the Active power state. The bit weights are in mA and the range is from 0mA to 3400mA (1 LSB = 13.3mA).

This data will be cleared whenever the port power switch is turned off (or any time that **VBUS** is discharged).

Note: This register's data is not intended for use when current is <100mA.

Bits	Description	Type	Default
7	1706.2 mA	RO	0b
6	853.1 mA	RO	0b
5	426.6 mA	RO	0b
4	213.3 mA	RO	0b
3	106.6 mA	RO	0b
2	53.3 mA	RO	0b
1	26.7 mA	RO	0b
0	13.3 mA	RO	0b

12.5.2 PPC VBUS PORT STATUS REGISTER (PPC_VBUS_PORT_STS)

Address: 0402h Size: 8 bits

Bits	Description	Type	Default
7	RESERVED	RO	-
6	<p>ALERT This bit is asserted when an error (ERR) occurs in the PPC. It also asserts the PPC_INT bit in the Interrupt Status Register (INT_STS), if enabled.</p> <p>This bit can also be configured to assert when the LOW_CUR (portable device is pulling less current and may be finished charging) bit is set and linked via the ALERT_LINK bit. The ALERT bit is de-asserted when all error conditions that may assert it (error condition, and LOW_CUR if linked) have been removed or reset as necessary.</p>	RO	0b
5	RESERVED	RO	-
4	<p>CC_MODE Indicates that the IBUS current on VBUS has exceeded ILIM and sourcing Region 2.</p>	RO	0b
3:0	RESERVED	RO	-

UPD360

12.5.3 PPC INTERRUPT STATUS REGISTER 1 (PPC_INT_STS1)

Address: 0403h Size: 8 bits

Bits	Description	Type	Default
7	<p>ERR Indicates that an error was detected on the VBUS pin and the PPC has entered the Error state. Writing this bit to “1” will clear the Error state and allows the PPC to return to the Active state. When written to “1”, all error conditions are checked. If all error conditions have been removed, the PPC returns to the Active state. This bit is set automatically by the PPC when the Error state is entered. If any other bit is set in this register, the device will not leave the Error state.</p> <p>0: No errors are detected 1: One or more errors have been detected and the PPC has entered the Error state.</p>	R/W1C	0b
6	RESERVED	RO	-
5	<p>RESET Indicates that the PPC has just been reset and should be re-programmed. This bit will set at power-up. This bit is cleared when written with “1” or when the PWR_EN pin (<i>UPD360-A/UPD360-B only</i>) is toggled (standalone DFP mode only). The ALERT bit is asserted when this bit is set. This data is retained in the Sleep state.</p>	R/W1C	0b
4	<p>MIN_KEEP_OUT Indicates that the V-I output on the VBUS pin has dropped below V_{BUS_MIN}. This bit will be cleared when written with “1” if the error condition has been removed or if the ERR bit is cleared. This bit will cause ALERT to be asserted and the device to enter the Error state.</p>	R/W1C	0b
3	<p>TSD Indicates that the internal temperature has exceeded t_{TSD} threshold and the device has entered the Error state. This bit will be cleared when written with “1” if the error condition has been removed or if the ERR bit is cleared. This bit will cause ALERT to be asserted and the device to enter the Error state.</p>	R/W1C	0b
2	<p>OVER_VOLT Indicates that the VS voltage has exceeded the V_{S_OV} threshold and the device has entered the Error state. This bit will be cleared when written with “1” if the error condition has been removed or if the ERR bit is cleared. This bit will cause ALERT to be asserted and the device to enter the Error state.</p>	R/W1C	0b
1	RESERVED	R/W1C	0b
0	<p>OVER_ILIM Indicates that the IBUS current has exceeded both the ILIM threshold (PPC Current Limit Register (PPC_CURRENT_LIMIT)) and the I_{BUS_R2MIN1} threshold settings (to cover the CC case) on the VBUS pin. This bit will be cleared when written with “1” if the error condition has been removed or if the ERR bit is cleared. This bit will cause ALERT to be asserted and the device to enter the Error state.</p>	R/W1C	0b

12.5.4 PPC INTERRUPT STATUS REGISTER 2 (PPC_INT_STS2)

Address: 0404h Size: 8 bits

Bits	Description	Type	Default
7:6	RESERVED	RO	-
5	VS_LOW Indicates that the VS voltage is below the V_{S_UVLO} (2.5 V) threshold and the port power switch is held off. This bit is cleared automatically when the VS voltage is above the V_{S_UVLO} threshold.	R/W1C	0b
4:0	RESERVED	RO	-

12.5.5 PPC GENERAL STATUS REGISTER (PPC_GENERAL_STS)

Address: 040Fh Size: 8 bits

Bits	Description	Type	Default
7:5	RESERVED	RO	-
4	CC_MODE Indicates that the IBUS current has exceeded ILIM (PPC Current Limit Register (PPC_CURRENT_LIMIT)). This bit identifies that the port power switch current limiting circuitry has been activated and the switch is in current limit mode. This bit will be '0' when the port power switch is off.	R/W1C	0b
3	PWR_EN This bit reflects the port power switch control state. This bit is set and cleared automatically as the PWR_EN pin (<i>UPD360-A/UPD360-B only</i>) and/or PWR_EN_SET bit state changes.	R/W1C	0b
2	LOW_CUR Indicates that a portable device has reduced its charge current to below the threshold on VBUS and may be finished charging. This bit is cleared when written with "1" and will not cause the ALERT bit to be asserted unless the ALERT_LINK bit is set.	R/W1C	0b
1:0	RESERVED	RO	-

UPD360

12.5.6 PPC GENERAL CONFIGURATION 1 REGISTER (PPC_GENERAL_CFG1)

Address: 0411h Size: 8 bits

Bits	Description	Type	Default
7	<p>ALERT_MASK Masks errors for all interrupts in the PPC Interrupt Status Register 1 (PPC_INT_STS1), except OVER_ILIM and TSD.</p> <p>0: The ALERT bit in the PPC VBUS Port Status Register (PPC_VBUS_PORT_STS) will be asserted if an error condition or indicator even is detected. 1: The ALERT bit in the PPC VBUS Port Status Register (PPC_VBUS_PORT_STS) will only assert if OVER_ILIM or TSD is detected.</p>	R/W	0b
6	<p>ALERT_LINK Links the ALERT bit in the PPC VBUS Port Status Register (PPC_VBUS_PORT_STS) to be asserted when the LOW_CUR bit is asserted.</p> <p>0: The ALERT bit in the PPC VBUS Port Status Register (PPC_VBUS_PORT_STS) will not be asserted if the LOW_CUR indicator bit is asserted. 1: The ALERT bit in the PPC VBUS Port Status Register (PPC_VBUS_PORT_STS) will be asserted if the LOW_CUR indicator bit is asserted.</p>	R/W	0b
5	<p>DISCHARGE Forces the VBUS pin to be reset and discharged when the PPC is in the Active state. Writing this bit to a logic “1” will cause the port power switch to be opened and the discharge circuitry to activate to discharge VBUS. The port power switch will remain open with the 100 ohm short to GND per the $t_{DISCHARGE}$ time in the DISCHARGE_TIME_SEL[1:0] field. This bit is self-clearing.</p>	R/W	0b
4	<p>PWR_EN_SET Controls whether the port power switch may be turned on or not and affects the power state. This bit is OR’ed with the PWR_EN pin (standalone DFP mode only). Thus, either the PWR_EN pin or this bit must be ‘1’ to enable the port power switch.</p>	R/W	0b
3:2	<p>DISCHARGE_TIME_SEL[1:0] This field sets the $t_{DISCHARGE}$ time as follows:</p> <p>00: 100 ms 01: 200 ms (default) 10: 300 ms 11: 400 ms</p>	R/W	01b
1:0	<p>RESERVED</p>	RO	-

12.5.7 PPC GENERAL CONFIGURATION 3 REGISTER (PPC_GENERAL_CFG3)

Address: 0413h Size: 8 bits

Bits	Description	Type	Default
7	PIN_IGNORE When set, ignores the PWR_EN pin state (<i>UPD360-A/UPD360-B only</i>) when determining the Active mode selection and power state.	R/W	0b
6:5	RESERVED	RO	-
4:3	PWR_STATE[1:0] This field indicates the current PPC power state as detailed below. These bits are set and cleared automatically as the power state changes. 00: Sleep 01: Detect 10: Active 11: Error	R/W	00b
2	BOOST# Indicates that the IBUS current is >2.0A on VBUS .	R/W	0b
1:0	RESERVED	RO	-

12.5.8 PPC CURRENT LIMIT REGISTER (PPC_CURRENT_LIMIT)

Address: 0414h Size: 8 bits

This register controls the ILIM used by the port power switch. The contents of this register are retained in the Sleep state. Refer to [Section 12.3.1, "Current Limiting," on page 172](#) for additional information.

Bits	Description	Type	Default
7:3	RESERVED	RO	-
2:0	ILIM_VBUS[2:0] Sets the ILIM value as follows: 000: 530 mA 001: 960 mA 010: 1070 mA 011: 1280 mA 100: 1600 mA 101: 2130 mA 110: 2670 mA 111: 3200 mA	R/W	Note 12-1

Note 12-1 When operating in Standalone DFP modes (*UPD360-A/UPD360-B only*), the default is defined by the **PWR_CAP0** and **PWR_CAP1** pins.

UPD360

13.0 POWER SWITCH

To enable the device to efficiently support dead battery use cases, an integrated power switch is provided to select between two external +3.3V supplies:

- **3V3_ALW**: +3.3V main power supply input to integrated power switch.
- **3V3_VBUS**: +3.3V power supply input derived from VBUS to the integrated power switch.

The power switch allows the core to be powered from **3V3_ALW** normally, and from **3V3_VBUS** when **3V3_ALW** is not present. This effectively allows connection detection and system wakeup without external processor intervention (external processor in sleep mode).

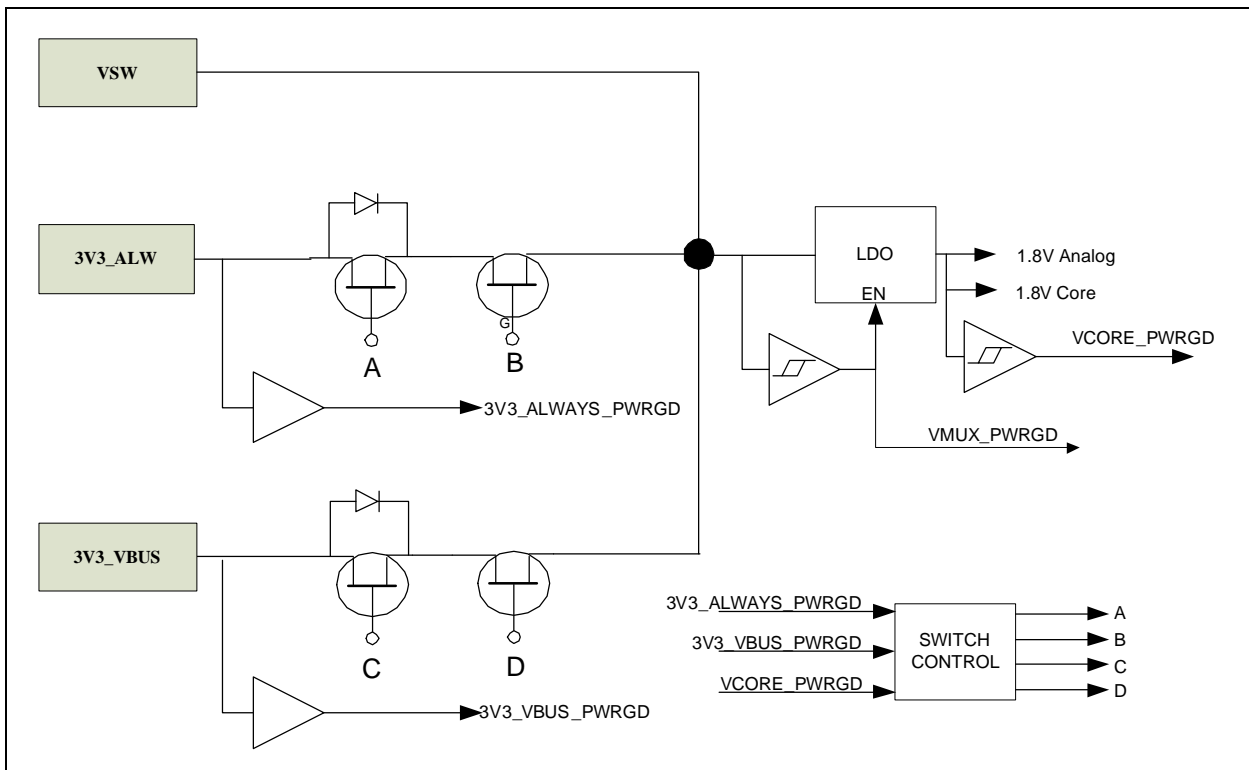
Attached to **3V3_ALW** and **3V3_VBUS** are two FET switches. The first FET switches have a diode across the output.

There are three voltage comparators. **VBUS_PWRGD** is on when **3V3_VBUS** exceeds 2.7V. **3V3_ALW_PWRGD** is on when **3V3_ALW** exceeds 2.7V. **VCORE_PWRGD** is on when the core voltage reaches an operational level.

If **VCORE_PWRGD** is not asserted, the part is held in reset. If both **VBUS_PWRGD** and **3V3_ALW_PWRGD** are not asserted, the part is held in reset, regardless of the state of the **VCORE_PWRGD**.

A block diagram of the internal power switch can be seen in [Figure 13-1](#).

FIGURE 13-1: POWER SWITCH BLOCK DIAGRAM

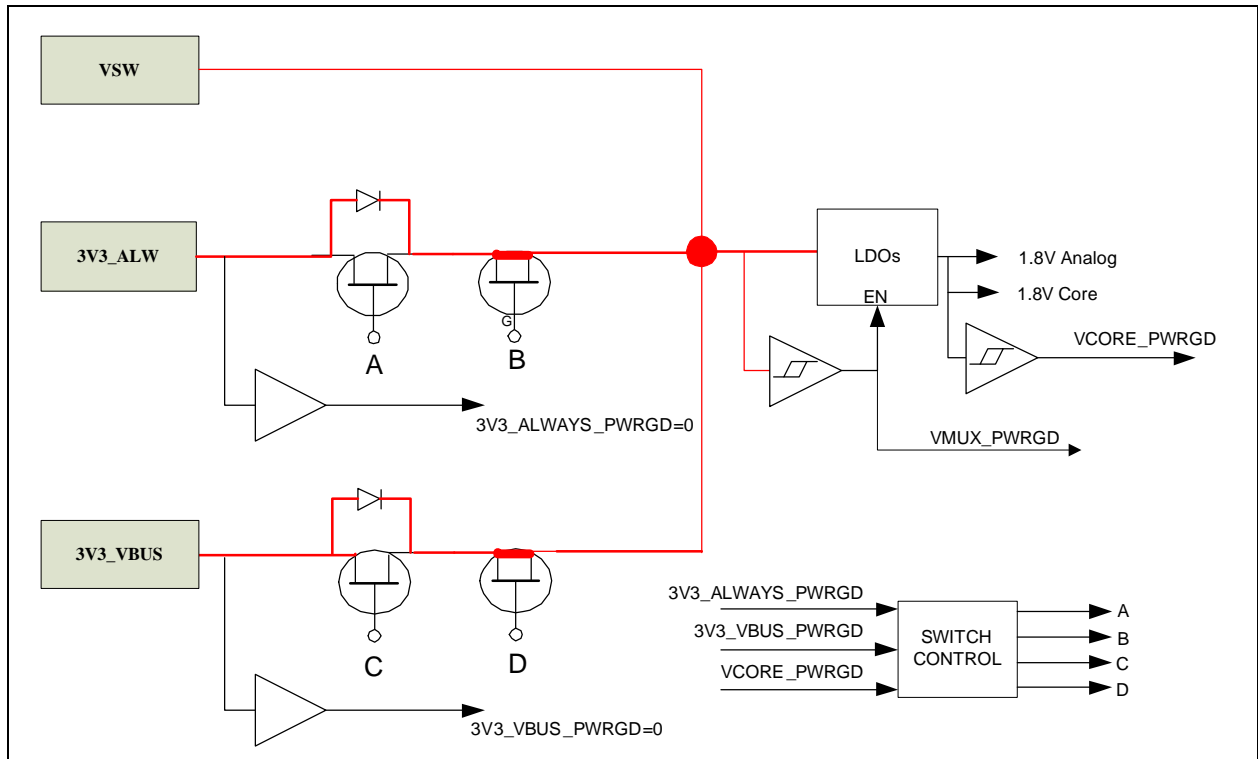


13.1 Operation

13.1.1 POWER UP

When the device is powering up, both `VBUS_PWRGD` and `3V3_ALW_PWRGD` are low. Under these conditions, switches A and C are open, B and D are closed. The voltage going to the input of the core regulator is the higher of `3V3_ALW` and `3V3_VBUS`. The diodes prevent back drive.

FIGURE 13-2: POWER SWITCH: POWERING UP



UPD360

13.1.2 3V3_ALW ONLY POWERS UP

In this case, only 3V3_ALW powers up (VBUS_PWRGD = 0 and 3V3_ALW_PWRGD = 1). When this occurs, FET switch D is opened. After 50us, FET switch A is shorted. This sequence eliminates the possibility of back-drive when the diode is shorted to eliminate the voltage drop.

FIGURE 13-3: POWER SWITCH: POWERING UP STEP ONE

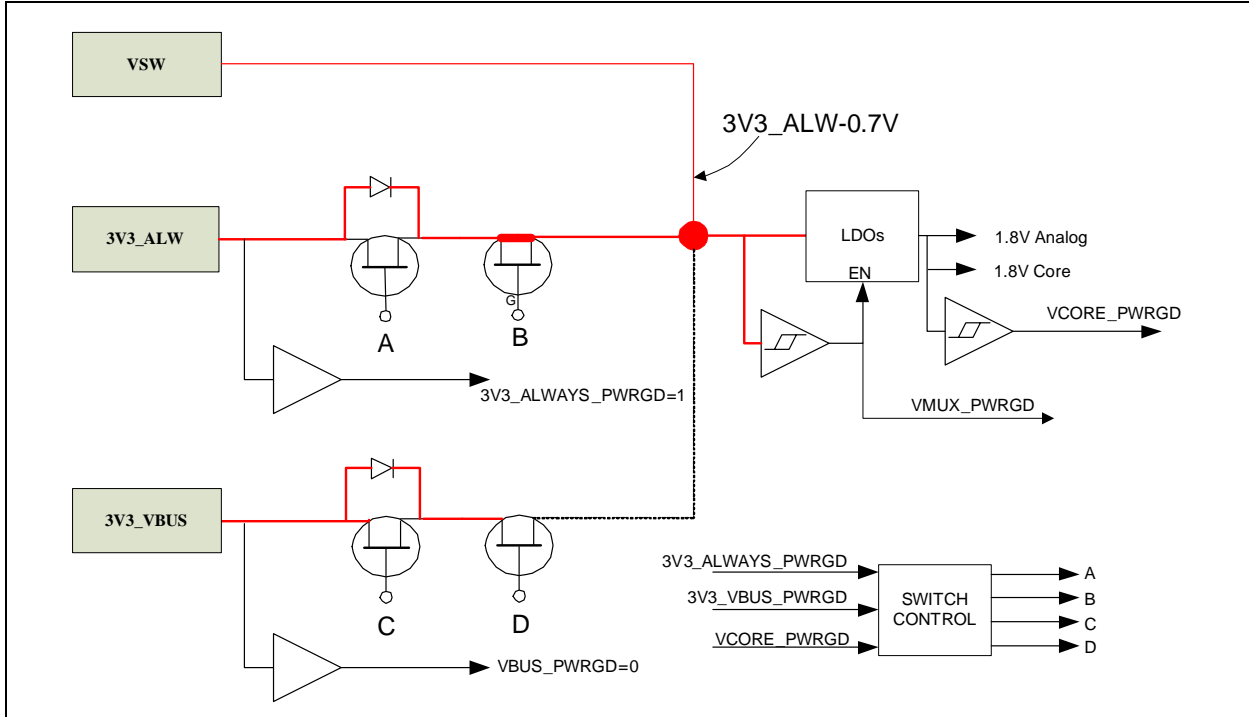
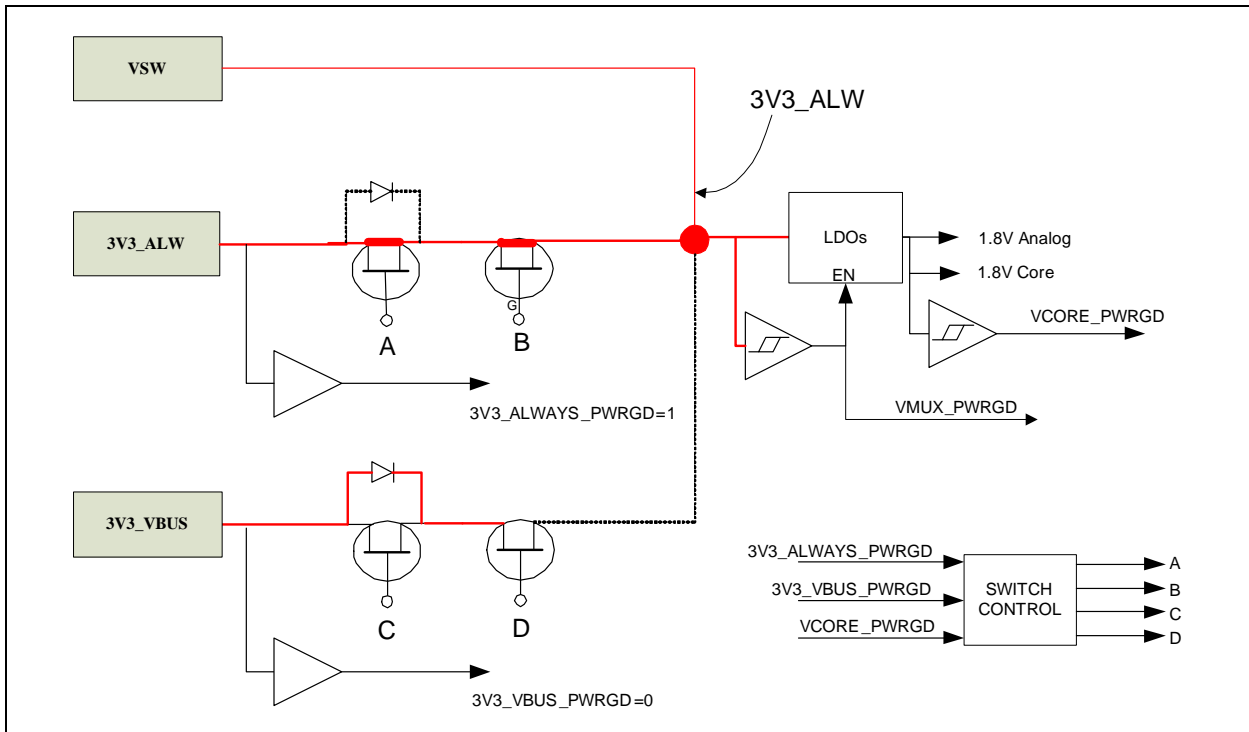


FIGURE 13-4: POWER SWITCH: POWERING UP STEP TWO



13.1.3 VBUS ONLY POWERS UP

This is the opposite example from the previous case. In this case, only VBUS powers up ($3V3_ALW_PWRGD = 0$ throughout, and $VBUS_PWRGD = 1$ when the threshold is hit). Once $VBUS_PWRGD$ is valid, the internal regulator is turned on and normal operation begins. At no time during this process is the $3V3_ALW$ rail back driven.

FIGURE 13-5: POWER SWITCH: VBUS ONLY POWER UP STEP ONE

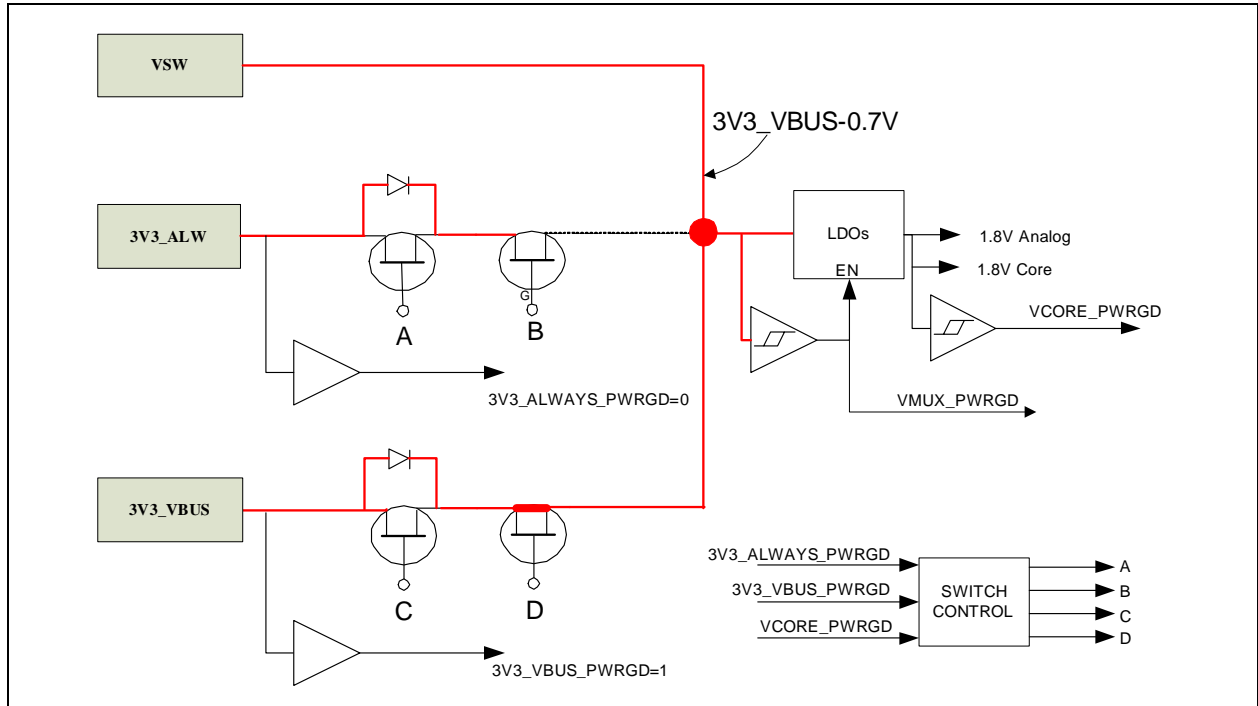
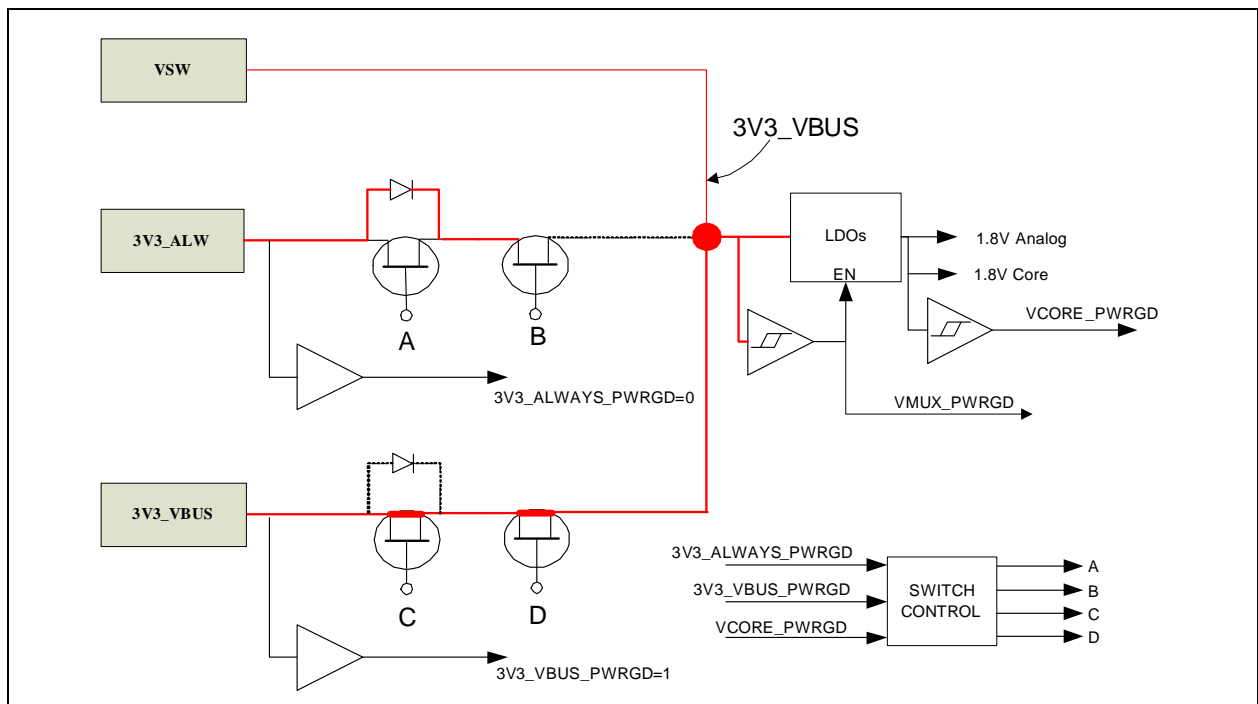


FIGURE 13-6: POWER SWITCH: VBUS ONLY POWER UP STEP TWO

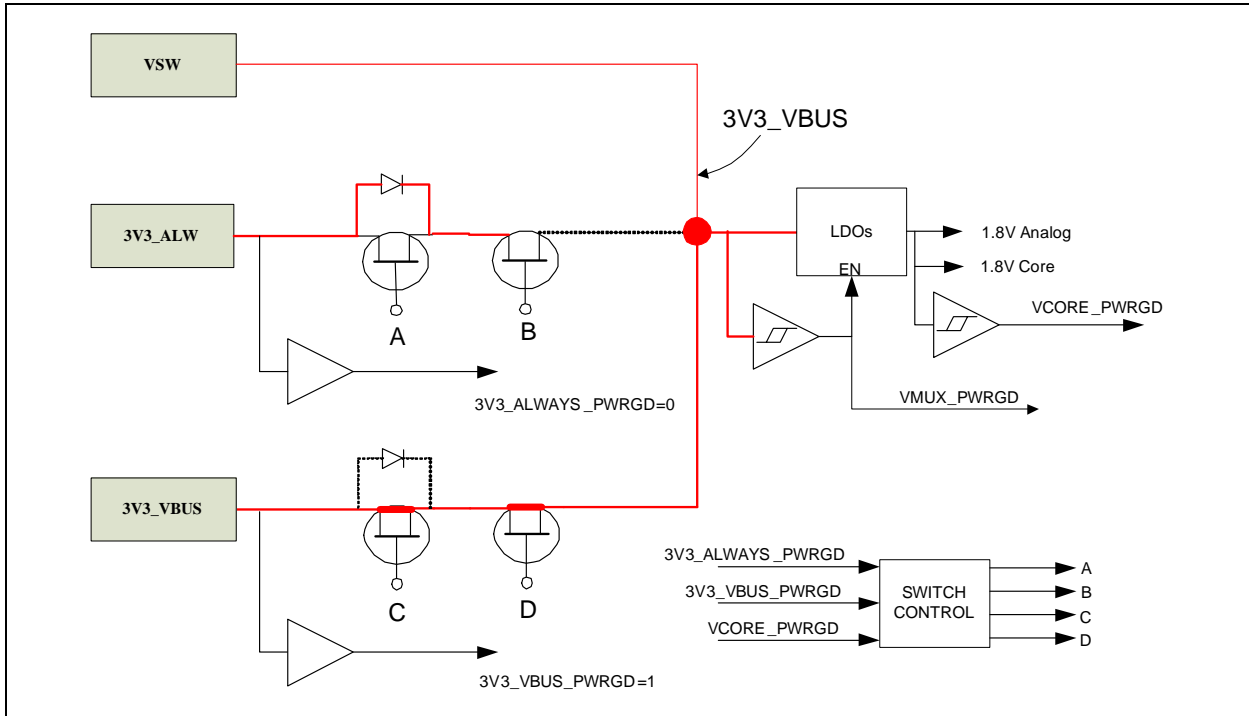


UPD360

13.1.4 VBUS POWERED UP FOLLOWED BY 3V3_ALW COMING UP

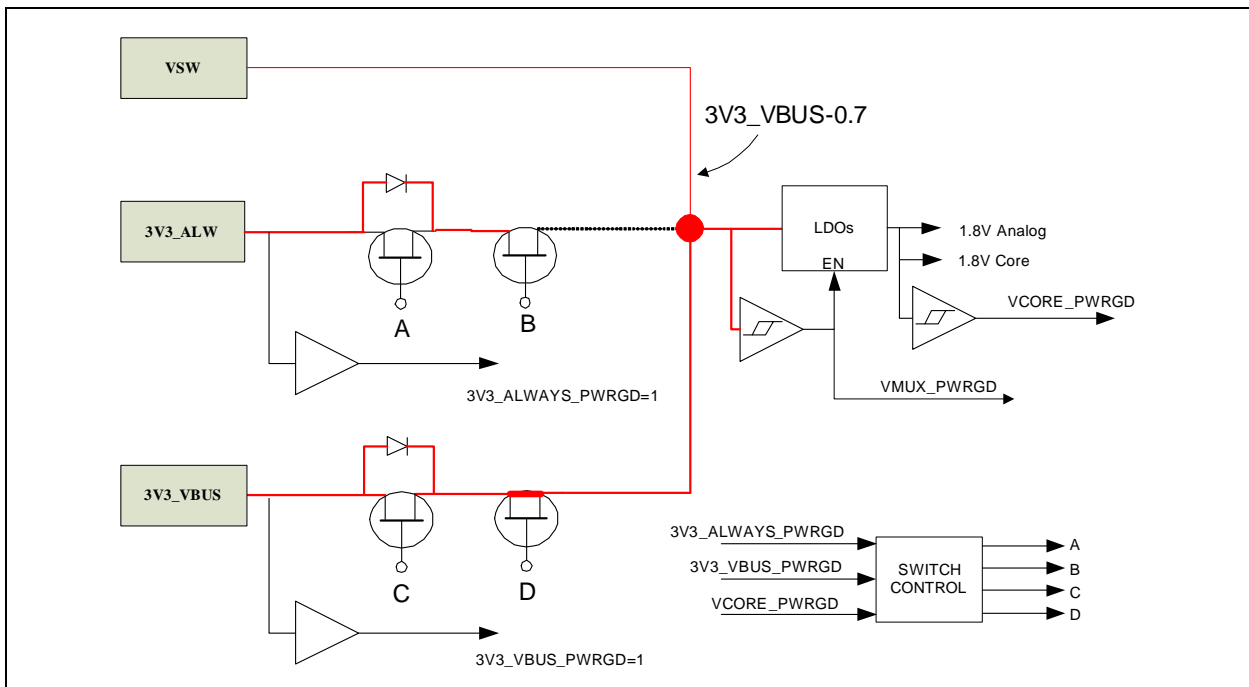
In this case, VBUS is already powered up and **3V3_ALW** starts to come up (and will take over and power the core). [Figure 13-7](#) shows the VBUS only state.

FIGURE 13-7: POWER SWITCH: VBUS FOLLOWED BY 3V3_ALW STEP ONE



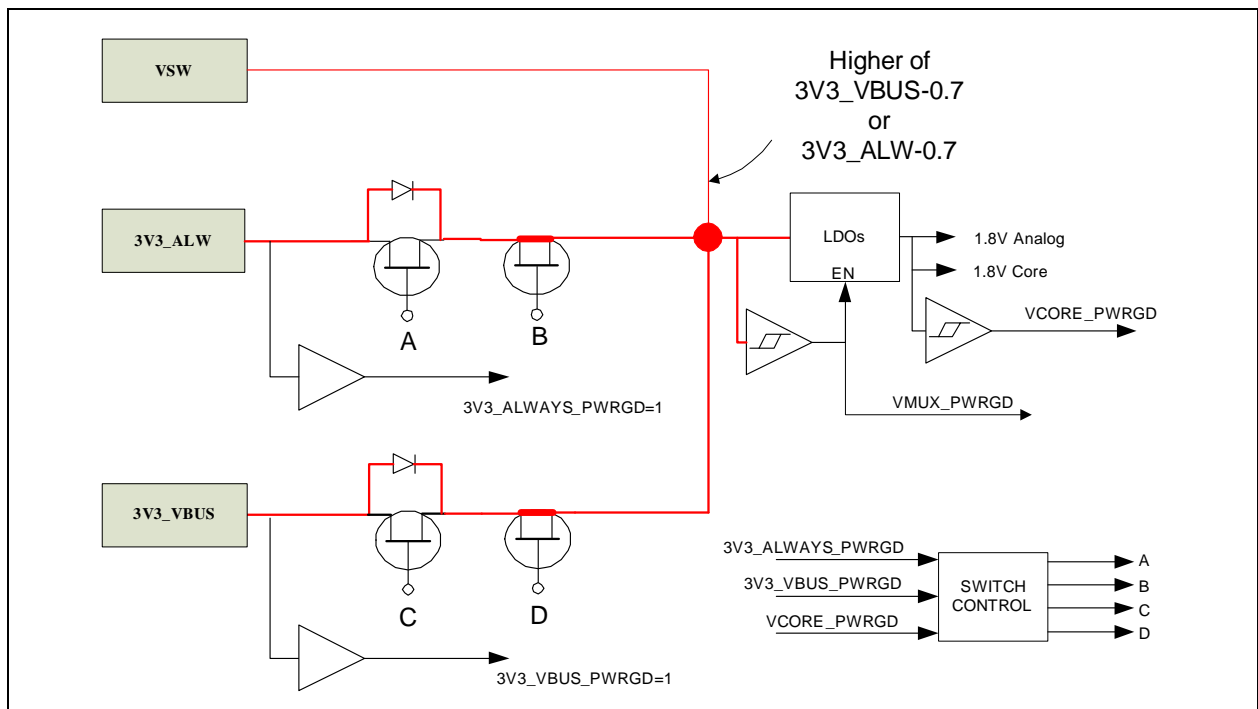
Once 3V3_ALW_PWRGD is detected, FET switch C is opened. The diode is required because 3V3_ALW could be greater than or less than VBUS. The voltage at the input to the LDO drops to 3V3_VBUS-0.7V.

FIGURE 13-8: POWER SWITCH: VBUS FOLLOWED BY 3V3_ALW STEP TWO



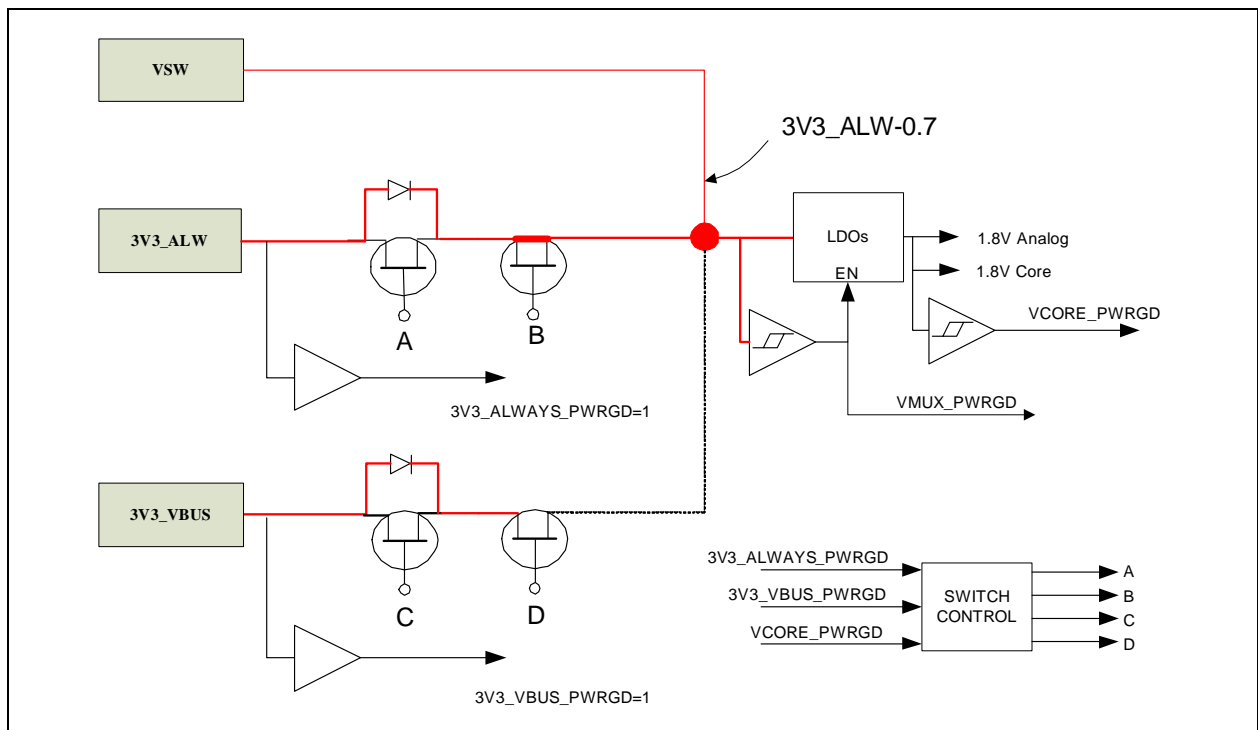
50us after FET C is opened, FET B is shorted. The two diodes ensure there is no back drive. The input to the core regulator will be at the higher voltage of $V_{BUS} - 0.7V$ or $3V3_ALW - 0.7V$.

FIGURE 13-9: POWER SWITCH: VBUS FOLLOWED BY 3V3_ALW STEP THREE



50us after FET B is shorted, FET D is opened. The core regulator input is now $3V3_ALW - 0.7V$.

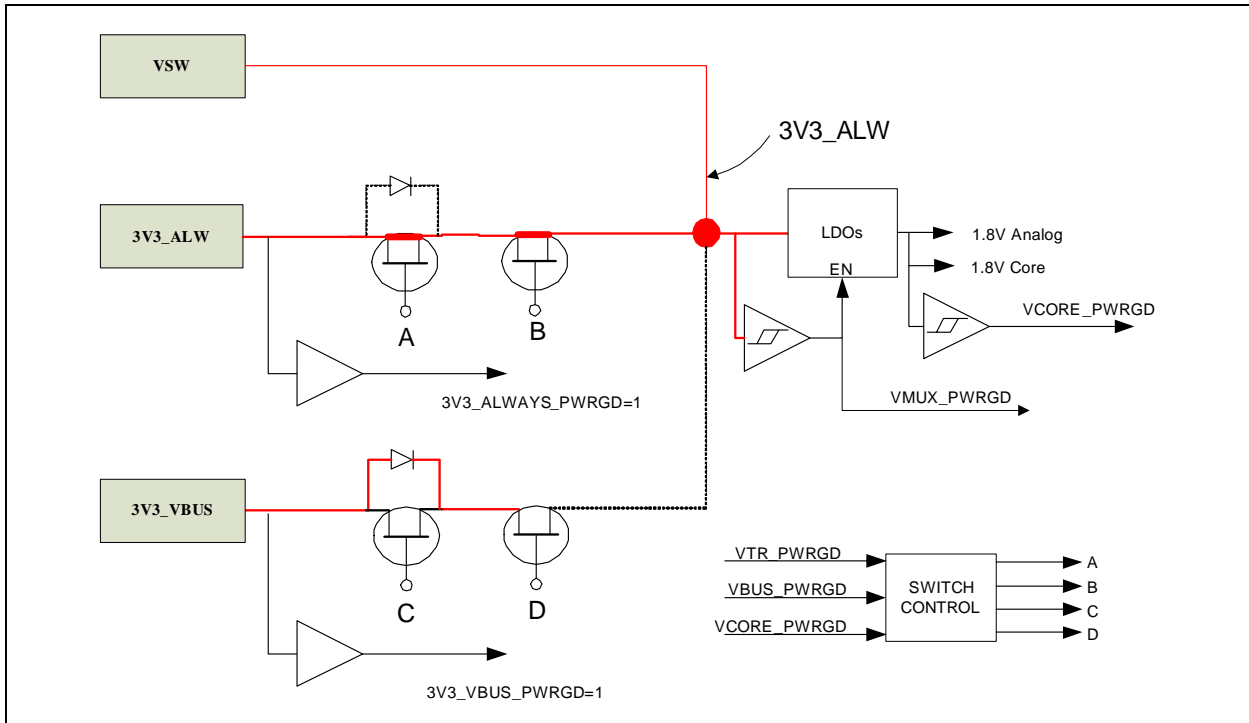
FIGURE 13-10: POWER SWITCH: VBUS FOLLOWED BY 3V3_ALW STEP FOUR



UPD360

In the final step, 50us after FET D is opened, FET A is shorted. The input to the core regulator now becomes 3V3_ALW.

FIGURE 13-11: POWER SWITCH: VBUS FOLLOWED BY 3V3_ALW STEP FIVE



13.1.5 3V3_ALW POWERED UP FOLLOWED BY VBUS COMING UP

In this case, 3V3_ALW is already powered up and VBUS starts to come up. 3V3_ALW will remain the power source for the core and no changes will be made to the FET switches.

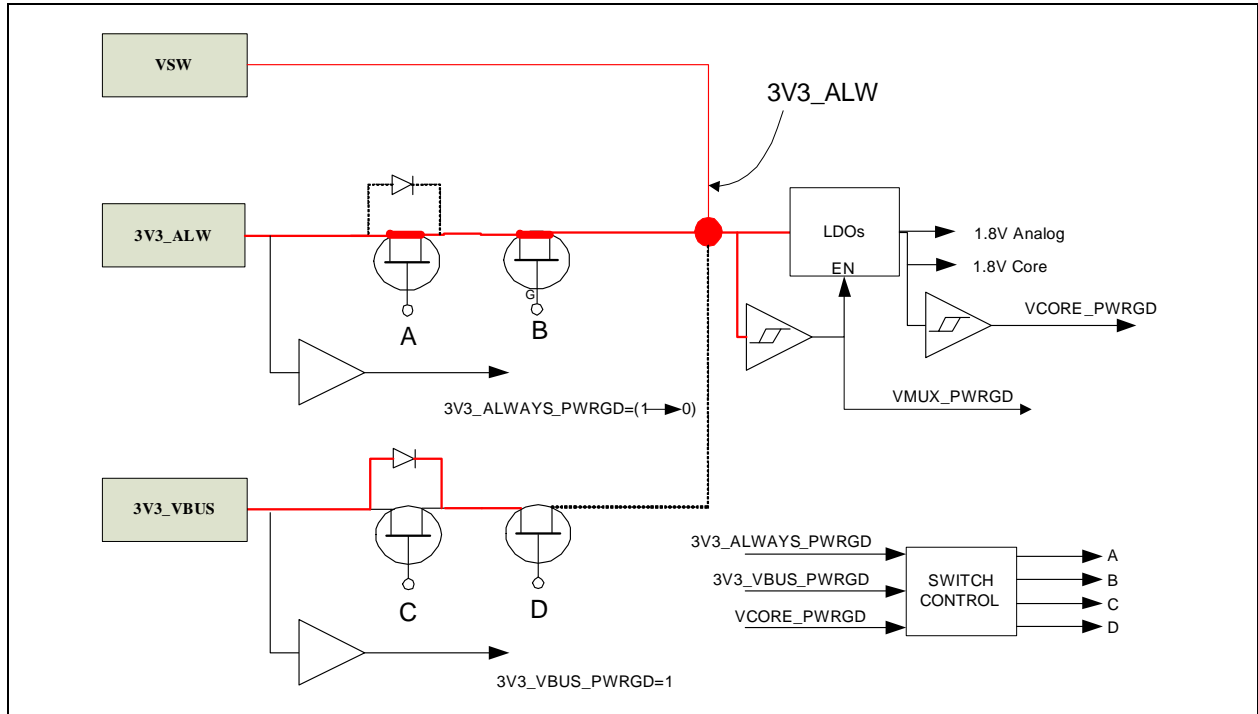
13.1.6 POWERED UP WITH VBUS AND 3V3_ALW, VBUS GOING AWAY

In this case, 3V3_ALW and VBUS are both present. The core is always powered from 3V3_ALW. If VBUS goes away, nothing changes in the voltage to the core. An interrupt will be generated to the processor to let it know that VBUS status changed.

13.1.7 POWERED UP WITH VBUS AND 3V3_ALW, 3V3_ALW GOING AWAY

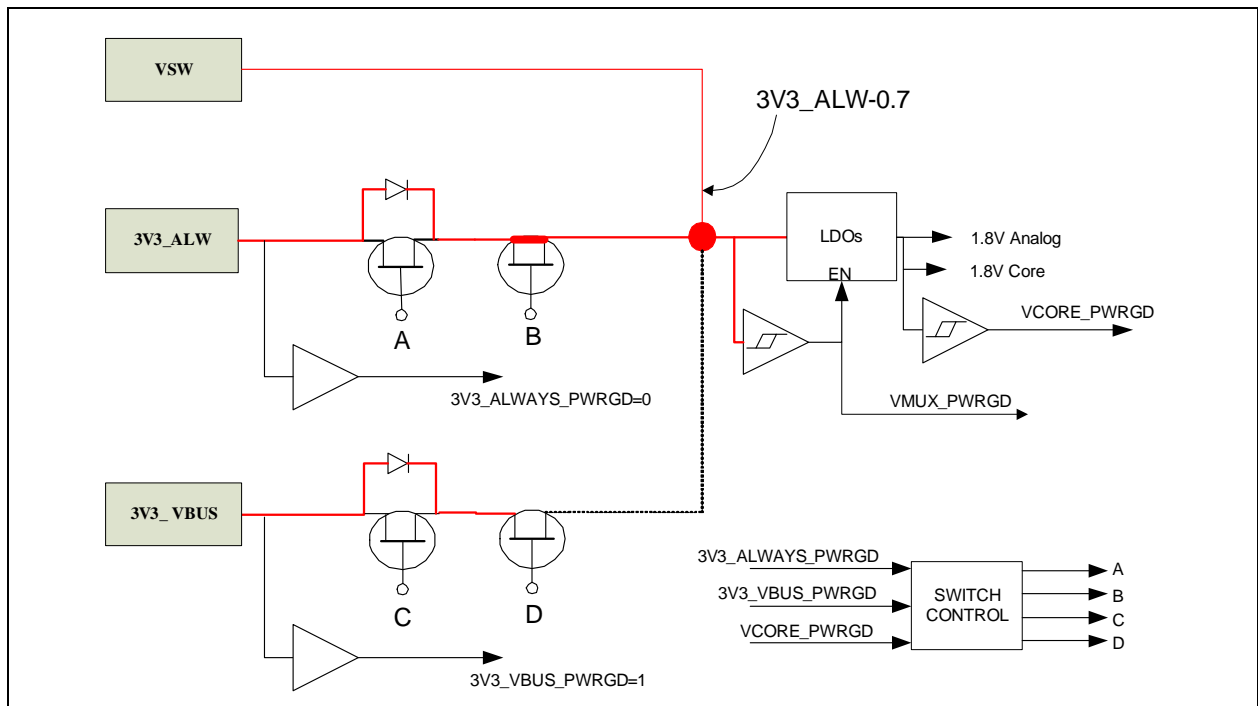
In this case, 3V3_ALW and VBUS are both present. The core is always powered from 3V3_ALW. If 3V3_ALW goes away, the switch will first transition to the initial power on state, then transition to the VBUS only state.

FIGURE 13-12: POWER SWITCH: VBUS PRESENT, 3V3_ALW GOING AWAY STEP ONE



First FET A is opened. The voltage at the core regulator input goes to 3V3_ALW-0.7

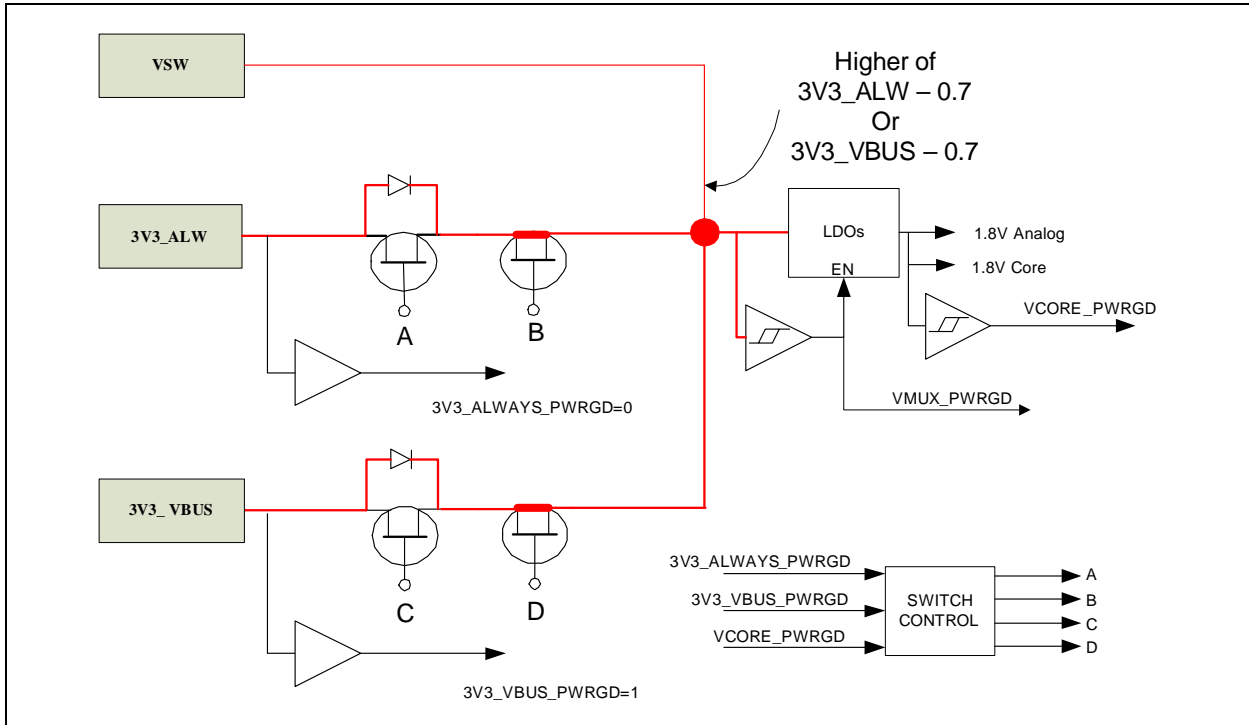
FIGURE 13-13: POWER SWITCH: VBUS PRESENT, 3V3_ALW GOING AWAY STEP TWO



UPD360

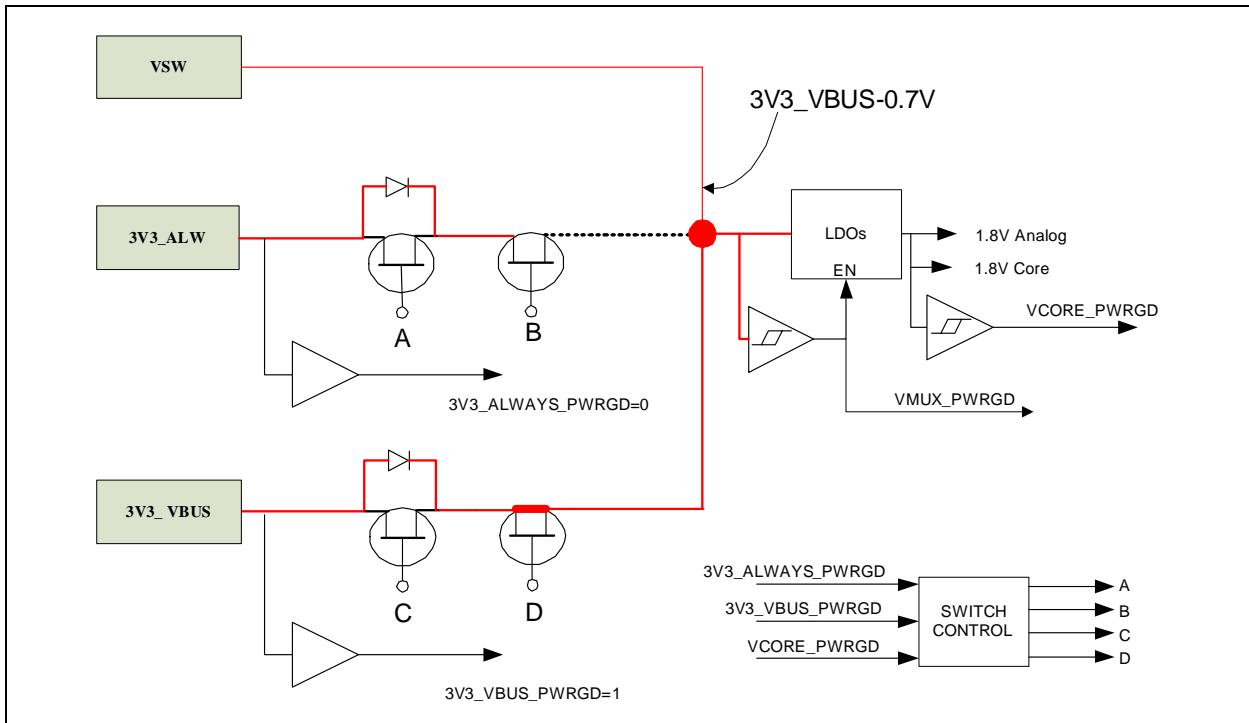
50uS later, the FET is closed. The voltage at the input of the core regulator will be the higher of $3V3_ALW - 0.7$ or $3V3_VBUS - 0.7$.

FIGURE 13-14: POWER SWITCH: VBUS PRESENT, 3V3_ALW GOING AWAY STEP THREE



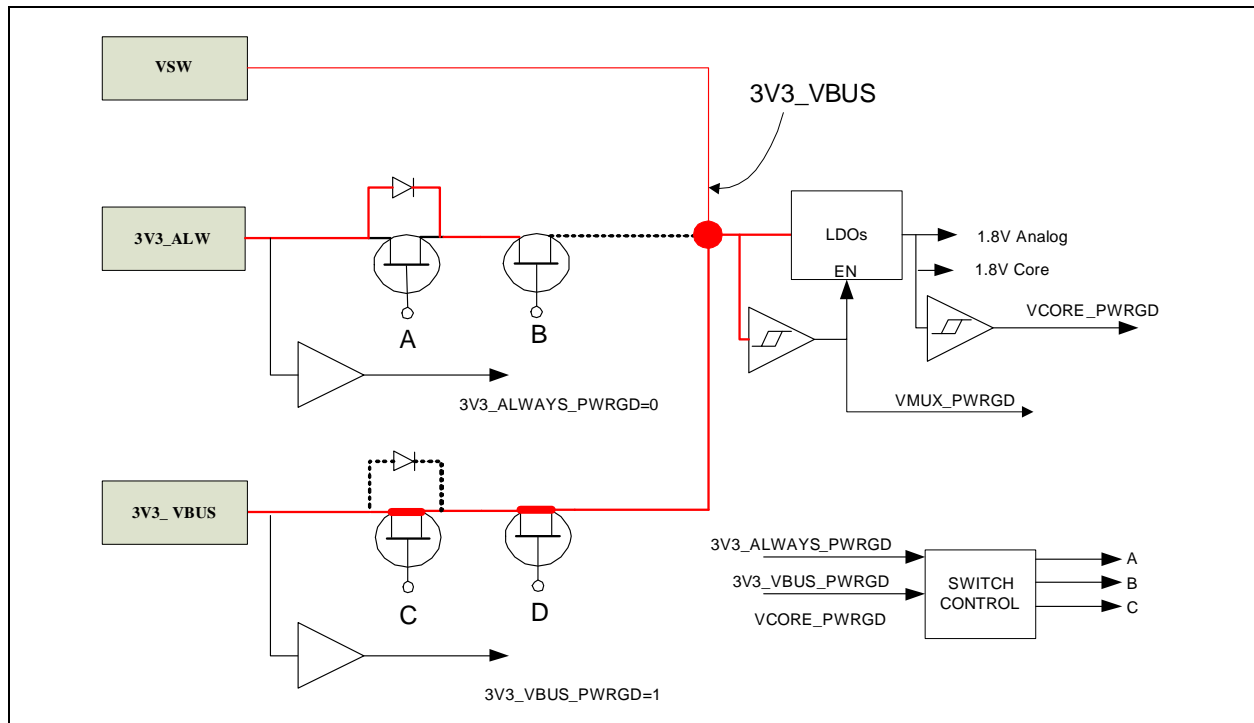
50uS later, FET B is opened. The voltage at the input of the core regulator is $VBUS - 0.7$.

FIGURE 13-15: POWER SWITCH: VBUS PRESENT, 3V3_ALW GOING AWAY STEP FOUR



50uS later, FET C is shorted. The voltage at the input of the core regulator is 3V3_VBUS.

FIGURE 13-16: POWER SWITCH: VBUS PRESENT, 3V3_ALW GOING AWAY STEP FIVE



13.2 Software Override

In the event that both 3V3_VBUS and 3V3_ALW are available, the Power Switch automatically selects 3V3_ALW for operation. This can be overridden by the [VBUS Switch Enable Override \(VBUS_SW_EN_OVR\)](#) bit of the [Power Switch Control Register \(PWR_SW_CTL\)](#), which forces the switch to operate off of VBUS. When this bit is set, the auto-switch mechanism of the switch is disabled.

13.3 Power Switch Interrupts

The power switch interrupt alerts software to changes in the state of the Power Switch. These events are listed in the [Power Switch Interrupt Status Register \(PWR_INT_STS\)](#). The interrupt persists until the asserted bits in the [Power Switch Interrupt Status Register \(PWR_INT_STS\)](#) are cleared. Individual interrupt events can be enabled via the [Power Switch Interrupt Enable Register \(PWR_INT_EN\)](#). Power switch interrupt status sources are capable of triggering asynchronous wakes.

13.4 Power Switch Registers

This section details the power switch registers. For an overview of the entire device register map, refer to [Section 4.0, "Register Map,"](#) on page 19.

TABLE 13-1: POWER SWITCH REGISTER MAP

Address	Register Name (Symbol)
1C00h	Power Switch Control Register (PWR_SW_CTL)
1C01h	Power Switch Status Register (PWR_SW_STS)
1C02h	Power Switch Interrupt Status Register (PWR_INT_STS)
1C03h	Power Switch Interrupt Enable Register (PWR_INT_EN)
1C04h	Power Switch State Status Register (PWR_SW_STATE_STS)
1C05h – 1FFFh	Reserved for future expansion

UPD360

13.4.1 POWER SWITCH CONTROL REGISTER (PWR_SW_CTL)

Address: 1C00h Size: 8 bits

Bits	Description	Type	Default
7:2	RESERVED	RO	-
1	Power Switch Enable (PM_SW_ENB) This active low signal enables the power switch.	R/W	0b
0	VBUS Switch Enable Override (VBUS_SW_EN_OVR) When this bit is asserted, the power switch utilizes the 3V3_VBUS supply. This bit only has meaning if the device is currently operating on 3V3_ALW and the VBUS supply is present. This bit disables the auto-switch mechanism of the power switch.	R/W	0b

13.4.2 POWER SWITCH STATUS REGISTER (PWR_SW_STS)

Address: 1C01h Size: 8 bits

Bits	Description	Type	Default
7:6	RESERVED	RO	-
5	3V3_ALW POR (3V3_ALW_RDY) POR output from the main VBAT external supply. Active high when the supply is above 2.85V. Active low when the supply drops below 2.7V.	RO	0b
4	3V3_VBUS POR (VBUS_RDY) POR output from the VBUS external supply. Active high when the supply is above 4V. Active low when the supply drops below 2.7V.	RO	0b
3	RESERVED	RO	-
2	PWR_RDY Indicates power ready on VSW and VDD18 supplies.	RO	1b
1	3V3_ALW Switch Gate Off (3V3_ALW_SW_OKB) Indicates state of VSW with respect to 3V3_ALW. 0: VSW < 3V3_ALW 1: VSW > 3V3_ALW	RO	0b
0	VBUS Switch Gate Off (VBUS_SW_OKB) Indicates state of VSW with respect to VBUS. 0: VSW < VBUS 1: VSW > VBUS	RO	0b

13.4.3 POWER SWITCH INTERRUPT STATUS REGISTER (PWR_INT_STS)

Address: 1C02h Size: 8 bits

Bits	Description	Type	Default
7:6	RESERVED	RO	-
5	<p>3V3_ALW to VBUS Switch Interrupt (3V3_ALW2VBUS_INTR) This interrupt asserts after the power switch automatically transitions from selecting 3V3_ALW to selecting VBUS as the power source.</p> <p>Write a '1' to clear this bit. Writes of '0' have no effect.</p> <p>Note: Assertion of the VBUS Switch Enable Override (VBUS_SW_EN_OVR) bit causes this interrupt to assert.</p>	R/WC	0b
4	<p>VBUS to 3V3_ALW Switch Interrupt POR (VBUS23V3_ALW_INTR) This interrupt asserts after the power switch automatically transitions from selecting VBUS to selecting 3V3_ALW as the power source.</p> <p>Write a '1' to clear this bit. Writes of '0' have no effect.</p> <p>Note: Assertion of the VBUS Switch Enable Override (VBUS_SW_EN_OVR) bit prevents assertion of this interrupt when VBUS is lost and 3V3_ALW is present.</p>	R/WC	0b
3	<p>3V3_ALW Lost Interrupt (3V3_ALW_LOST_INTR) This interrupt asserts when 3V3_ALW POR (3V3_ALW_RDY) transitions from 1 to 0. It indicates that the 3V3_ALW supply has been lost.</p> <p>Write a '1' to clear this bit. Writes of '0' have no effect.</p>	R/WC	0b
2	<p>3V3_ALW Ready Interrupt (3V3_ALW_RDY_INTR) This interrupt asserts when 3V3_ALW POR (3V3_ALW_RDY) transitions from 0 to 1. It indicates that a 3V3_ALW supply has been detected.</p> <p>Write a '1' to clear this bit. Writes of '0' have no effect.</p>	R/WC	0b
1	<p>VBUS Lost Interrupt (VBUS_LOST_INTR) This interrupt asserts when 3V3_VBUS POR (VBUS_RDY) transitions from 1 to 0. It indicates that the VBUS supply has been lost.</p> <p>Write a '1' to clear this bit. Writes of '0' have no effect.</p>	R/WC	0b
0	<p>VBUS Ready Interrupt (VBUS_RDY_INTR) This interrupt asserts when 3V3_VBUS POR (VBUS_RDY) transitions from 0 to 1. It indicates that a VBUS supply has been detected.</p> <p>Write a '1' to clear this bit. Writes of '0' have no effect.</p>	R/WC	0b

UPD360

13.4.4 POWER SWITCH INTERRUPT ENABLE REGISTER (PWR_INT_EN)

Address: 1C03h Size: 8 bits

Bits	Description	Type	Default
7:6	RESERVED	RO	-
5	3V3_ALW2VBUS_EN When '0', prevents the generation of this interrupt.	R/W	0b
4	VBUS23V3_ALW_EN When '0', prevents the generation of this interrupt.	R/W	0b
3	3V3_ALW_LOST_EN When '0', prevents the generation of this interrupt.	R/W	0b
2	3V3_ALW_RDY_EN When '0', prevents the generation of this interrupt.	R/W	0b
1	VBUS_LOST_EN When '0', prevents the generation of this interrupt.	R/W	0b
0	VBUS_RDY_EN When '0', prevents the generation of this interrupt.	R/W	0b

13.4.5 POWER SWITCH STATE STATUS REGISTER (PWR_SW_STATE_STS)

This register indicates the current state of the 3V3_ALW and 3V3_VBUS switches.

Address: 1C04h Size: 8 bits

Bits	Description	Type	Default
7:2	RESERVED	RO	-
1	VBUS Switch State (3V3_VBUS_STATE) 0 = 3V3_VBUS switch is disabled. 1 = 3V3_VBUS switch is enabled.	RO	0b
0	3V3_ALW Switch State (3V3_ALW_STATE) 0 = 3V3_ALW switch is disabled. 1 = 3V3_ALW switch is enabled.	RO	0b

14.0 DISPLAYPORT HOT PLUG DETECT (HPD)

14.1 Overview

The device provides hardware offload support for detecting the state of a Display Port compliant **HPD** input pin to the device.

The USB Type-C DisplayPort Alternate Mode Specification defines the **HPD** state in terms of two status flags:

- **HPD_STATE**: Indicates whether the HPD's logical state is high or low (denoted as HPD_HIGH or HPD_LOW, respectively). For the purposes of communicating the HPD state over USB, the logical state of HPD is considered as remaining high while receiving an IRQ_HPDP, and is low during the time that HPD is being de-bounced on a new mechanical connection. The logical state of HPD transitions from high to low when a low level on the HPD link has been detected for 2ms (i.e., longer than the maximum IRQ_HPDP pulse detection time). The logical state of HPD is unchanged during glitches (as specified in DP v1.3) on the HPD link.
- **IRQ_HPDP**: Indicates an IRQ_HPDP (i.e., a high-to-low transition on HPD followed by a low-to-high transition) was detected between 250us and 2ms later, as specified in DP v1.3).

Note: The **HPD** pin is always configured as a push/pull driver.

14.2 HPD Receiver

The device provides HPD detection (input) via the **HPD** pin. HPD detection is enabled by setting **HPD Enable** bit and configuring the **HPD** pin to be an input via **HPD Configuration** in **HPD Control Register (HPD_CTL)**. Upon setting this bit, the device continuously monitors the state of the **HPD** pin as follows:

- When an IRQ_HPDP event occurs, the **IRQ_HPDP** interrupt bit in **HPD Interrupt Status Register (HPD_INT_STS)** will assert. IRQ_HPDP is detected when **HPD** is initially high and de-asserts for a time greater than or equal to the value in the **IRQ_HPDP Minimum Time Register (IRQ_HPDP_MIN_TIME)** and less than or equal to the value in the **IRQ_HPDP Maximum Time Register (IRQ_HPDP_MAX_TIME)**.
- When a Low to High transition is debounced and detected, the **HPD_HIGH** interrupt bit in **HPD Interrupt Status Register (HPD_INT_STS)** will assert. HPD_HIGH is detected when the **HPD** pin is initially low and asserts for a time greater than or equal to the value in the **HPD High Detect Time Register (HPD_HIGH_DET_TIME)**.
- When a High to Low transition is debounced and detected, the **HPD_LOW** interrupt bit in **HPD Interrupt Status Register (HPD_INT_STS)** will assert. HPD_LOW is detected when **HPD** pin is initially low and asserts for a time greater than or equal to the value in the **HPD Low Detect Time Register (HPD_LOW_DET_TIME)**.

APPLICATION NOTE: The **HPD Interrupt Status Register (HPD_INT_STS)** contents are reset to 00h when **HPD Enable** is cleared.

APPLICATION NOTE: Enabled and asserted interrupts trigger the **HPD_INT** interrupt in the **Interrupt Status Register (INT_STS)**.

A mechanism has been added via the **HPD Event Queue Register (HPD_QUEUE)** to record up to four **HPD** events. This function is enabled when **HPD Enable** is set and **HPD Configuration** indicates the **HPD** pin is operating as an input. See [Section 14.4.4, "HPD Event Queue Register \(HPD_QUEUE\)," on page 199](#) for additional details.

APPLICATION NOTE: The state of the **HPD** pin is available by reading **HPD State** in **HPD Control Register (HPD_CTL)**.

This feature is used as follows:

1. Software configures **IRQ_HPDP Minimum Time Register (IRQ_HPDP_MIN_TIME)**, **IRQ_HPDP Maximum Time Register (IRQ_HPDP_MAX_TIME)**, **HPD High Detect Time Register (HPD_HIGH_DET_TIME)** and **HPD Low Detect Time Register (HPD_LOW_DET_TIME)**. To comply with the DisplayPort specification for IRQ_HPDP, the **IRQ_HPDP Minimum Time Register (IRQ_HPDP_MIN_TIME)** and **IRQ_HPDP Maximum Time Register (IRQ_HPDP_MAX_TIME)** should be configured to 250 us and 2 ms, respectively. Likewise, **HPD Low Detect Time Register (HPD_LOW_DET_TIME)** should be configured to greater than 2 ms.
2. If desired, interrupts may be enabled by asserting the respective bits in the **HPD Interrupt Enable Register (HPD_INT_EN)**.
3. **HPD Enable** is set and **HPD Configuration** is cleared in the **HPD Control Register (HPD_CTL)**.

UPD360

- When an Hot Plug event occurs, the [HPD Event Queue Register \(HPD_QUEUE\)](#) is updated and an interrupt will assert if configured.
- HPD state changes are reflected by assertion of [QUEUE_NOT_EMPTY](#), [HPD_HIGH](#), [HPD_LOW](#) and [IRQ_HPDP](#) bits in [HPD Interrupt Status Register \(HPD_INT_STS\)](#). They may cause assertion of [HPD_INT](#) in the [Interrupt Status Register \(INT_STS\)](#), if enabled.
- Software reads the [HPD Event Queue Register \(HPD_QUEUE\)](#) to determine the Hot Plug events received.
- Software writes to the [HPD Event Queue Register \(HPD_QUEUE\)](#) and clears the valid entries.

14.3 HPD Transmission

The device provides HPD transmission (output) via the **HPD** pin. This is done via the [HPD Control Register \(HPD_CTL\)](#) by setting both [HPD Configuration](#) and [HPD Enable](#) to “1”. The value driven on the HPD pin is controlled by [HPD Output Value](#).

Support is also provided for generating an [IRQ_HPDP](#). This is accomplished by programming the deassertion time in [HPD IRQ Generation Time Register \(HPD_IRQ_GEN\)](#) and then setting [Generate IRQ](#) in [HPD Control Register \(HPD_CTL\)](#). [Generate IRQ](#) self clears after the interrupt pulse is issued.

This feature is used as follows:

- Configure the **HPD** pin as an output by setting [HPD Configuration](#) and [HPD Enable](#) in [HPD Control Register \(HPD_CTL\)](#). The value for **HPD** is defined by the value programmed in [HPD Output Value](#).
- If it is desired to generate an [IRQ_HPDP](#), the [HPD IRQ Generation Time Register \(HPD_IRQ_GEN\)](#) must be programmed with the desired HPD deassertion time.
- If it is desired to receive an interrupt upon generation of [IRQ_HPDP](#), the respective bit in the [HPD Interrupt Enable Register \(HPD_INT_EN\)](#) should be enabled.
- Software requests [IRQ_HPDP](#) generation by setting [Generate IRQ](#) in the [HPD Control Register \(HPD_CTL\)](#). [HPD Output Value](#) must also be set to 1b.
- Upon generating the [IRQ_HPDP](#) interrupt, the [Generate IRQ](#) bit will self clear.
- The [IRQ_HPDP](#) bit asserts in the [HPD Interrupt Status Register \(HPD_INT_STS\)](#) and shall cause assertion of the [HPD_INT](#) interrupt in the [Interrupt Status Register \(INT_STS\)](#), if enabled.

14.4 DisplayPort HPD Registers

This section details the DisplayPort HPD registers. For an overview of the entire device register map, refer to [Section 4.0, "Register Map," on page 19](#).

TABLE 14-1: DISPLAYPORT HPD REGISTER MAP

Address	Register Name (Symbol)
0C00h	HPD Control Register (HPD_CTL)
0C01h	HPD Interrupt Status Register (HPD_INT_STS)
0C02h	HPD Interrupt Enable Register (HPD_INT_EN)
0C03h	HPD Event Queue Register (HPD_QUEUE)
0C04h	IRQ_HPDP Minimum Time Register (IRQ_HPDP_MIN_TIME)
0C05h	IRQ_HPDP Maximum Time Register (IRQ_HPDP_MAX_TIME)
0C06h	HPD High Detect Time Register (HPD_HIGH_DET_TIME)
0C08h	HPD Low Detect Time Register (HPD_LOW_DET_TIME)
0C0Ah	HPD IRQ Generation Time Register (HPD_IRQ_GEN)
0C0Bh – 0FFFh	Reserved for future expansion

Note: RESERVED address space must not be written under any circumstances. Failure to heed this warning may result in untoward operation and unexpected results.

14.4.1 HPD CONTROL REGISTER (HPD_CTL)

Address: [0C00h](#) Size: 8 bits

Bits	Description	Type	Default
7	<p>HPD State Provides the state of the HPD pin. This bit resets to 0b when HPD Enable is cleared.</p> <p>Note: An IRQ_HPDP event is recorded as an HPD_HIGH state.</p> <p>Note: This bit is valid when HP is configured as an input or output.</p>	RO	-
6:4	RESERVED	RO	-
3	<p>HPD Output Value This bit only has meaning when the HPD pin is configured as an output per HPD Configuration. Otherwise, it will always read 0b.</p>	R/W	0b
2	<p>Generate IRQ When set, the HPD pin generates an HPD IRQ by deasserting HPD for the amount of time defined in the HPD IRQ Generation Time Register (HPD_IRQ_GEN).</p> <p>This bit only has meaning when the HPD pin is configured as an output per HPD Configuration. Otherwise, it will always read 0b.</p> <p>Note: HPD Output Value must be set to 1b before using this feature.</p> <p>Note: Software may not change the state of this bit while HPD Enable is set to 1b.</p>	R/SC	0b
1	<p>HPD Configuration 0: HPD is configured as an input 1: HPD is configured as an output</p> <p>Note: Software may not change the state of this bit while HPD Enable is set to 1b.</p>	R/W	0b
0	<p>HPD Enable When set, the HPD pin is enabled.</p>	R/W	0b

UPD360

14.4.2 HPD INTERRUPT STATUS REGISTER (HPD_INT_STS)

Address: 0C01h Size: 8 bits

The contents of this register reset to 00h when the [HPD Enable](#) bit in the [HPD Control Register \(HPD_CTL\)](#) is cleared.

BITS	DESCRIPTION	TYPE	DEFAULT
7:4	RESERVED	RO	-
3	QUEUE_NOT_EMPTY Indicates that the HPD Event Queue Register (HPD_QUEUE) is not empty. Note: This interrupt is cleared after HPD Event Queue Register (HPD_QUEUE) is read. Note: This bit only has meaning when the HPD pin is configured as an input.	RO	0b
2	HPD_HIGH When set, indicates that an HPD Low to High transition has been detected. Note: The source of this input is a pulse and does not persist after being cleared. Note: This bit only has meaning when the HPD pin is configured as an input.	R/WC	0b
1	HPD_LOW When set, indicates that an HPD High to Low transition has been detected. Note: The source of this input is a pulse and does not persist after being cleared. Note: This bit only has meaning when the HPD pin is configured as an input.	R/WC	0b
0	IRQ_HPDP When set, indicates that an HPD IRQ has been detected. Note: The source of this input is a pulse and does not persist after being cleared. Note: When the HPD pin is configured as an input, this bit indicates that an IRQ_HPDP has been detected. When the HPD pin is configured as an output, this pin indicates that the request to generate an IRQ_HPDP has completed.	R/WC	0b

14.4.3 HPD INTERRUPT ENABLE REGISTER (HPD_INT_EN)

Address: 0C02h Size: 8 bits

BITS	DESCRIPTION	TYPE	DEFAULT
7:4	RESERVED	RO	0h
3:0	HPD Interrupt Enable When "0", prevents generation of the respective interrupt.	R/W	0h

14.4.4 HPD EVENT QUEUE REGISTER (HPD_QUEUE)

Address: 0C03h Size: 8 bits

This register implements a circular queue that records HPD events detected by the device.

As an event is detected, it is written into the next HPD Event status field that is available and initially starts at HPD Event 0 out of reset.

After this register is read, any entries with a valid HPD event field are cleared when software writes 01b into the respective locations. The device will keep track of the last valid entry and store the next received event into the next entry. For example, if entries 0 and 1 are valid, the device will always place the next event into location 2, regardless of whether or not entries 0 and 1 have been cleared by software.

The device will only add entries to empty fields. After writing to HPD Event 3, the device will write the next event into HPD Event 0, if available.

Each field is encoded as follows.

- 00b: HPD event field is empty
- 01b: HPD_HIGH Detected
- 10b: HPD_LOW Detected
- 11b: HPD_IRQ Detected

When [HPD Enable](#) is set to 0b and/or [HPD Configuration](#) is set to 1b, this register will always read 00h.

After four HPD events are recorded, any future HPD events shall be ignored until HPD event locations are freed up by software.

BITS	DESCRIPTION	TYPE	DEFAULT
7:6	HPD Event 3	R/WC	00b
5:4	HPD Event 2	R/WC	00b
3:2	HPD Event 1	R/WC	00b
1:0	HPD Event 0	R/WC	00b

UPD360

14.4.5 IRQ_HPDP MINIMUM TIME REGISTER (IRQ_HPDP_MIN_TIME)

Address: 0C04h Size: 8 bits

BITS	DESCRIPTION	TYPE	DEFAULT
7:0	<p>IRQ HPD Minimum Time This field defines the minimum amount of time that HPD must be deasserted for an IRQ event to be recognized. De-assertions for less than this amount of time shall be ignored.</p> <p>The programmed time is $(50 \text{ us} * \text{IRQ_HPDP_MIN_TIME}) + 100 \text{ us}$.</p> <p>Note: Software may not change the state of this register while HPD Enable is set to 1b.</p>	R/W	0h

14.4.6 IRQ_HPDP MAXIMUM TIME REGISTER (IRQ_HPDP_MAX_TIME)

Address: 0C05h Size: 8 bits

BITS	DESCRIPTION	TYPE	DEFAULT
7:0	<p>IRQ HPD Maximum Time This field defines the maximum amount of time that HPD shall be deasserted for an IRQ event to be recognized. Assertions for more than this amount of time shall not be determined to be an HPD interrupt event.</p> <p>The programmed time is $(50 \text{ us} * \text{IRQ_HPDP_MAX_TIME}) + 100 \text{ us}$.</p> <p>Note: Software may not change the state of this register while HPD Enable is set to 1b.</p>	R/W	0h

14.4.7 HPD HIGH DETECT TIME REGISTER (HPD_HIGH_DET_TIME)

Address: 0C06h Size: 16 bits

BITS	DESCRIPTION	TYPE	DEFAULT
15:0	<p>HPD High Detect Time This field defines the amount of time that HPD must be asserted, after initially being low, in order to detect an HPD_HIGH event.</p> <p>The programmed time is $(50 \text{ us} * \text{HPD_HIGH_DET_TIME}) + 100 \text{ us}$.</p> <p>Note: Software may not change the state of this register while HPD Enable is set to 1b.</p>	R/W	0h

14.4.8 HPD LOW DETECT TIME REGISTER (HPD_LOW_DET_TIME)

Address: [0C08h](#) Size: 16 bits

BITS	DESCRIPTION	TYPE	DEFAULT
15:0	<p>HPD Low Detect Time This field defines the amount of time that HPD must be deasserted, after initially being high, in order to detect an HPD_LOW event.</p> <p>The programmed time is $(50 \text{ us} * \text{HPD_LOW_DET_TIME}) + 100 \text{ us}$.</p> <p>Note: Software may not change the state of this register while HPD Enable is set to 1b.</p>	R/W	0h

14.4.9 HPD IRQ GENERATION TIME REGISTER (HPD_IRQ_GEN)

Address: [0C0Ah](#) Size: 8 bits

BITS	DESCRIPTION	TYPE	DEFAULT
7:0	<p>HPD IRQ Generation Time</p> <p>This field defines the amount of time, in units of 50 us, that HPD shall be deasserted after the Generate IRQ bit in the HPD Control Register (HPD_CTL) is set.</p> <p>After this amount of time, the HPD pin will be returned to the state defined in HPD Output Value.</p> <p>Note: Software may not change the state of this register while HPD Enable is set to 1b.</p>	R/W	0h

UPD360

15.0 WATCHDOG TIMER (WDT)

15.1 General Description

The function of the Watchdog Timer (WDT) is to provide a mechanism to detect if the device has failed.

When enabled, the Watchdog Timer circuit will generate a WDT initiated system reset if the user program fails to reload the WDT within a specified length of time known as the [WDT Interval](#).

The Watchdog timer operates off of the 20 KHz Keep Alive Oscillator or 48 MHz Relaxation Oscillator depending on the resolution selected by [WDT_UNITS](#) bit in [Watchdog Control Register \(WDT_CTL\)](#).

A watchdog timer initiated system reset is indicated by assertion of [WDT_INT](#) bit in the [Interrupt Enable Register \(INT_EN\)](#). In order to clear the [WDT_INT](#) bit, the [WDT_STS](#) bit in [Watchdog Control Register \(WDT_CTL\)](#) must be cleared.

15.2 WDT Operation

15.2.1 WDT ACTIVATION MECHANISM

The WDT is activated by the following sequence of operations during normal operation:

1. Clear the [WDT_EN](#) bit of [Watchdog Control Register \(WDT_CTL\)](#).
2. Load the [Watchdog Load Register \(WDT_LOAD\)](#) with the count value.
3. Set the [WDT_EN](#) bit of [Watchdog Control Register \(WDT_CTL\)](#).

The [WDT Activation Mechanism](#) starts the WDT decrementing counter.

15.2.2 WDT DEACTIVATION MECHANISM

The WDT is deactivated by clearing the [WDT_EN](#) bit in the [Watchdog Control Register \(WDT_CTL\)](#). The [WDT Reload Mechanism](#) places the WDT in a low power state in which clocks are gated and the counter stops decrementing.

15.2.3 WDT RELOAD MECHANISM

If the WDT is not reloaded within periods that are shorter than the programmed watchdog interval, the WDT will underflow, a WDT reset will be generated, and the [WDT_STS](#) bit will be set in the [Watchdog Control Register \(WDT_CTL\)](#).

It is the responsibility of software to continually execute sections of code which reload the watchdog timer (WDT), causing the counter to be reloaded via the [WDT Activation Mechanism](#) or writing to the [Watchdog Kick Register \(WDT_KICK\)](#).

15.2.4 WDT INTERVAL

The [WDT Interval](#) is the time it takes for the WDT to decrements from the [Watchdog Load Register \(WDT_LOAD\)](#) value to 0h.

15.3 I2C/SPI Writes

When a watchdog interrupt is pending all write operations are blocked until the [WDT_STS](#) bit in the [Watchdog Control Register \(WDT_CTL\)](#) is cleared.

15.4 Watchdog Timer Registers

This section details the watchdog timer registers. For an overview of the entire device register map, refer to [Section 4.0, "Register Map,"](#) on page 19.

TABLE 15-1: WATCHDOG TIMER REGISTER MAP

Address	Register Name (Symbol)
3000h	Watchdog Control Register (WDT_CTL)
3002h	Watchdog Kick Register (WDT_KICK)
3004h	Watchdog Count Register (WDT_COUNT)
3008h	Watchdog Load Register (WDT_LOAD)
300Ch – 33FFh	Reserved for future expansion

Note: RESERVED address space must not be written under any circumstances. Failure to heed this warning may result in untoward operation and unexpected results.

15.4.1 WATCHDOG CONTROL REGISTER (WDT_CTL)

Address: [3000h](#) Size: 16 bits

Bits	Description	Type	Default
15:4	RESERVED	RO	0h
3	WDT_UNITS 0: Units of 1 ms are used. 1: Units of 1 us are used. Note: When units of 1 us are used, the 48 MHz Relaxation Oscillator must be enabled and device current consumption will increase by over 400 uA. Otherwise, when units are 1 ms, the 20 KHz Keep Alive Oscillator is used.	R/W	0b
2	WDT_SIM Used for speeding up the watchdog timer for simulation. Watchdog operates off of a 1 MHz clock when set. When this bit is set, WDT_UNITS shall be set to 1b.	R/W	0b
1	WDT_STS WDT Status is set by hardware if the last reset of the device was caused by an underflow of the WDT. This bit must be cleared by software writing a '1' to this bit. Writing a '0' to this bit has no effect.	R/WC	Note 15-1
0	WDT_EN When set, the watchdog timer is enabled. Clearing this bit disables the watchdog timer. Note: Due to clock domain synchronization, several clock cycles may elapse before this takes affect and the WDT counter begins to decrement.	R/W	0b

Note 15-1 Default value depends on whether a WDT initiated reset occurred, in which the case the value is 1b. Otherwise the value is 0b.

UPD360

15.4.2 WATCHDOG KICK REGISTER (WDT_KICK)

Address: 3002h Size: 8 bits

Bits	Description	Type	Default
7:1	RESERVED	RO	0h
0	KICK Writes of any value to this register shall cause the watchdog timer to be immediately reloaded with the value defined in Watchdog Load Register (WDT_LOAD) and start decrementing when the WDT_EN bit in the Watchdog Control Register (WDT_CTL) is set to 1b. Writes to this register when WDT_EN is 0b have no affect. Note: Reads of this register always return 0h. Note: Due to clock domain synchronization, several clock cycles may elapse before this takes affect and the counter reloads.	R/W	0h

15.4.3 WATCHDOG COUNT REGISTER (WDT_COUNT)

Address: 3004h Size: 32 bits

Bits	Description	Type	Default
31:0	WDT_COUNT This read only register provides a snapshot of the current state of the timer. The lower byte shall always be read first. Reading of the lower order byte results in a snapshot of the counter taken. This ensures that when the upper bytes are read the state of the counter is remains in sync.	RO	FFFF_FFFFh

WDT_COUNT[7:0] = 0x4h

WDT_COUNT[15:8] = 0x5h

WDT_COUNT[23:16] = 0x6h

WDT_COUNT[31:24] = 0x7h

15.4.4 WATCHDOG LOAD REGISTER (WDT_LOAD)

Address: [3008h](#) Size: 32 bits

Bits	Description	Type	Default
31:0	WDT_LOAD Writing this register reloads the Watch Dog Timer counter. This register can be programmed only when WDT_EN = 0. Zero is not a valid load value.	R/W	FFFF_FFFFh

WDT_LOAD[7:0] = 0x8h

WDT_LOAD[15:8] = 0x9h

WDT_LOAD[23:16] = 0xAh

WDT_LOAD[31:24] = 0xBh

UPD360

16.0 OPERATIONAL CHARACTERISTICS

16.1 Absolute Maximum Ratings*

Supply Voltage (VS, VBUS) (Note 16-1)	-0.3 V to +6.0 V
Supply Voltage (VDD33IO, 3V3_VBUS, 3V3_ALW) (Note 16-1)	0 V to +4.0 V
Positive voltage on input signal pins, with respect to ground	+6.0 V
Negative voltage on input signal pins, with respect to ground	-0.5 V
Storage Temperature	-55°C to +150°C
Lead Temperature Range	Refer to JEDEC Spec. J-STD-020
HBM ESD Performance	+/-2 kV

Note 16-1 When powering this device from laboratory or system power supplies, it is important that the absolute maximum ratings not be exceeded or device failure can result. Some power supplies exhibit voltage spikes on their outputs when AC power is switched on or off. In addition, voltage transients on the AC power line may appear on the DC output. If this possibility exists, it is suggested to use a clamp circuit.

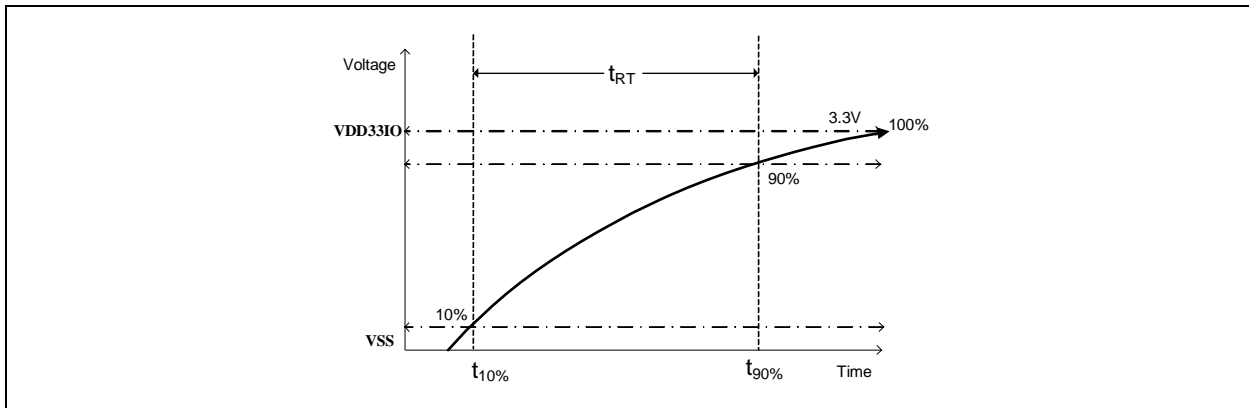
*Stresses exceeding those listed in this section could cause permanent damage to the device. This is a stress rating only. Exposure to absolute maximum rating conditions for extended periods may affect device reliability. Functional operation of the device at any condition exceeding those indicated in [Section 16.2, "Operating Conditions**"](#), [Section 16.5, "DC Characteristics"](#), or any other applicable section of this specification is not implied.

16.2 Operating Conditions**

Supply Voltage (VS, VBUS)	+4.75 V to +5.25 V
Supply Voltage (VDD33IO, 3V3_VBUS, 3V3_ALW)	+3.1 V to +3.47 V
Positive voltage on input signal pins, with respect to ground	+3.3 V
Negative voltage on input signal pins, with respect to ground	-0.3 V
Power Supply Rise Time Max (T_{RT}) (Figure 16-1)	100ms
Ambient Operating Temperature in Still Air (T_A)	0°C to +70°C

**Proper operation of the device is guaranteed only within the ranges specified in this section.

FIGURE 16-1: SUPPLY RISE TIME MODEL



16.3 Package Thermal Specifications

TABLE 16-1: PACKAGE THERMAL PARAMETERS

Parameter	Symbol	°C/W
Thermal Resistance Junction to Ambient	Θ_{JA}	74.2
Thermal Resistance Junction to Top of Case	Θ_{JC}	25.2
Thermal Resistance Junction to Board	Θ_{JB}	47.9
Thermal Resistance Junction to Bottom of Case	Ψ_{JT}	8.8

Note: Thermal parameters are measured or estimated for devices in a multi-layer 2S2P PCB per JESD51.

TABLE 16-2: POWER DISSIPATION

Parameter	Symbol	Max	Units
Power Dissipation	P_{dis}	825	mW

Note: This is the worst-case power dissipation as a consequence of maximum loading (before current-limiting protections take effect) upon the internal VBUS power switch, VCONN power switch, 3.3V power-ORing switch, analog blocks, and core digital logic.

16.4 Current Consumption

TABLE 16-3: 3V3_ALW DEVICE CURRENT CONSUMPTION

Power State	3V3_ALW Supply Current		
	Typical	Max	Units
SLEEP	14		μ A
STANDBY	70		μ A
ACTIVE_PPC_OFF	70		μ A
ACTIVE_PPC_ON	10		mA
ACTIVE and PD packet transmitting	+5 See Note 4		mA

Note 1: This table details the power consumption of the UPD360 device as measured during various modes of operation. Power dissipation is determined by temperature, supply voltage, and external source/sink requirements. Maximum values represent very short bursts of activity over a small amount of time. Typical values represent averaged current consumption over time.

- 2:** **SLEEP** power state is achieved with PWR_DN pin asserted
- 3:** **STANDBY** is equivalent to USB Type-C™ specification's Unattached.SRC/Unattached.SNK
- 4:** 3V3_VBUS current is $\sim 0\mu$ A except during bus-powered conditions, where the power consumption is equivalent to "**ACTIVE_PPC_OFF**".
- 5:** Supply current for the **ACTIVE and PD packet transmitting** is in addition to the appropriate **ACTIVE_P-PC_ON/OFF** state's typical value.

UPD360

TABLE 16-4: VS DEVICE CURRENT CONSUMPTION

Power State	VS Supply Current		
	Typical	Max	Units
SLEEP	50		μA
STANDBY	60		μA
ACTIVE_PPC_OFF	60		μA
ACTIVE_PPC_ON	See Note 4		mA

Note 1: This table details the power consumption of the UPD360 device as measured during various modes of operation. Power dissipation is determined by temperature, supply voltage, and external source/sink requirements. Maximum values represent very short bursts of activity over a small amount of time. Typical values represent averaged current consumption over time.

- 2: SLEEP power state is achieved with PWR_DN pin asserted
- 3: STANDBY is equivalent to USB Type-C™ specification's Unattached.SRC/Unattached.SNK
- 4: VS current consumption is equal to the sum of VBUS (when internal 5V PPC is used) and VCONN loads.

16.5 DC Characteristics

TABLE 16-5: DC ELECTRICAL CHARACTERISTICS

Parameter	Symbol	Min	Typ	Max	Units	Notes
IS Type Input Buffer						
Low Input Level	V _{ILI}	-0.3		0.8	V	
High Input Level	V _{IHI}	2.0		3.6	V	
Negative-Going Threshold	V _{ILT}	1.21	1.33	1.8	V	Schmitt trigger
Positive-Going Threshold	V _{IHT}	1.31	1.58	1.8	V	Schmitt trigger
Schmitt Trigger Hysteresis (V _{IHT} - V _{ILT})	V _{HYS}	100	133	0	mV	
Input Leakage (V _{IN} = VSS or VDDIO)	I _{IH}	-10		10	μA	Note 16-2
Input Capacitance	C _{IN}			3	pF	
O8 Type Output Buffer						
Low Output Level	V _{OL}			0.4	V	I _{OL} = -8 mA
High Output Level	V _{OH}	VDDIO - 0.4			V	I _{OH} = 8 mA
OD8 Type Output Buffer						
Low Output Level	V _{OL}			0.4	V	I _{OL} = -8 mA
I2C Type Buffer						
						Note 16-3

Note 16-2 This specification applies to all inputs and tri-stated bi-directional pins. Internal pull-down and pull-up resistors add +/- 50 μA per-pin (typical).

Note 16-3 The I2C type buffer conforms to the NXP *I²C-Bus Specification* (UM10204, Rev. 6). Refer to the *I²C-Bus Specification* for additional information.

TABLE 16-6: PORT POWER CONTROLLER DC PARAMETERS

Parameter	Symbol	Min	Typ	Max	Units	Notes
Over-voltage Lockout	V_{S_OV}		6		V	
On Resistance	R_{ON_PSW}		40		m Ω	4.75 V < VS < 5.25 V
Thermal Shutdown Threshold	t_{TSD}		135		$^{\circ}C$	Die Temperature at which port power switch will turn off
Thermal Shutdown Hysteresis	t_{TSD_HYST}		35		$^{\circ}C$	After shutdown due to T_{TSD} being reached, die temperature drop required before port power switch can be turned on again
Discharge Impedance	$R_{DISCHARGE}$	100			Ω	
ILIM USB 2.0 Default Current	I_{LIM_USB2}	500		600	mA	Used when PWR_CAPx pins are set to the USB 2.0 Default Current limit or configured via PPC control registers.
ILIM USB 3.0 Default Current	I_{LIM_USB3}	900		1100	mA	Used when PWR_CAPx pins are set to the USB 3.0 Default Current limit or configured via PPC control registers.
ILIM 1.5A	$I_{LIM_1.5A}$	1500		1800	mA	Used when PWR_CAPx pins are set to the 1.5A current limit or configured via PPC control registers.
ILIM 3.0A	I_{LIM_3A}	3000		3700	mA	Used when PWR_CAPx pins are set to the 3.0A current limit or configured via PPC control registers.

TABLE 16-7: VCONN SOURCE DC PARAMETERS

Parameter	Symbol	Min	Typ	Max	Units	Notes
ILIM	I_{LIM_VCONN}		600		mA	VS=5V
On Resistance	R_{ON_VCONN}		270		m Ω	

TABLE 16-8: POWER SWITCH DC PARAMETERS

Parameter	Symbol	Min	Typ	Max	Units	Notes
VSW Load	VSW_Load			100	mA	3V3_ALW/3V3_VBUS = 3.3V
VSW Resistance	R_VSW		500		Ω	

UPD360

16.6 AC Characteristics and Timing

This section details the various AC timing specifications of the device.

16.6.1 RESET_N TIMING

Figure 16-2 illustrates the **RESET_N** timing requirements. Assertion of **RESET_N** is not a requirement. However, if used, it must be asserted for the minimum period specified

FIGURE 16-2: RESET_N TIMING

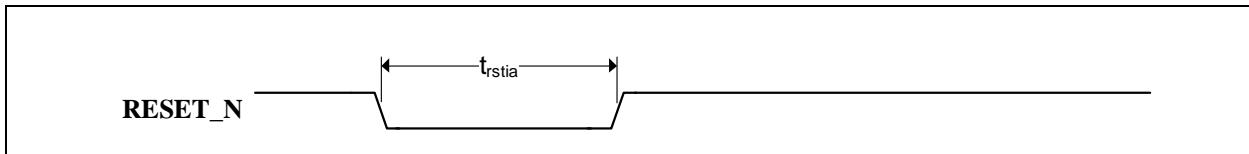


TABLE 16-9: RESET_N TIMING VALUES

Symbol	Description	Min	Typ	Max	Units
t_{rstia}	RESET_N input assertion time	1			μ S

16.6.2 I²C SLAVE INTERFACE (UPD360-A/UPD360-B ONLY)

Figure 16-3 illustrates the I²C slave interface timing requirements. The I²C slave interface can operate in Standard Mode, Fast Mode, or Fast Mode Plus. Refer to Section 5.0, "I²C Slave Controller (UPD360-A/UPD360-B Only)," on page 20 for additional information.

FIGURE 16-3: I²C SLAVE TIMING

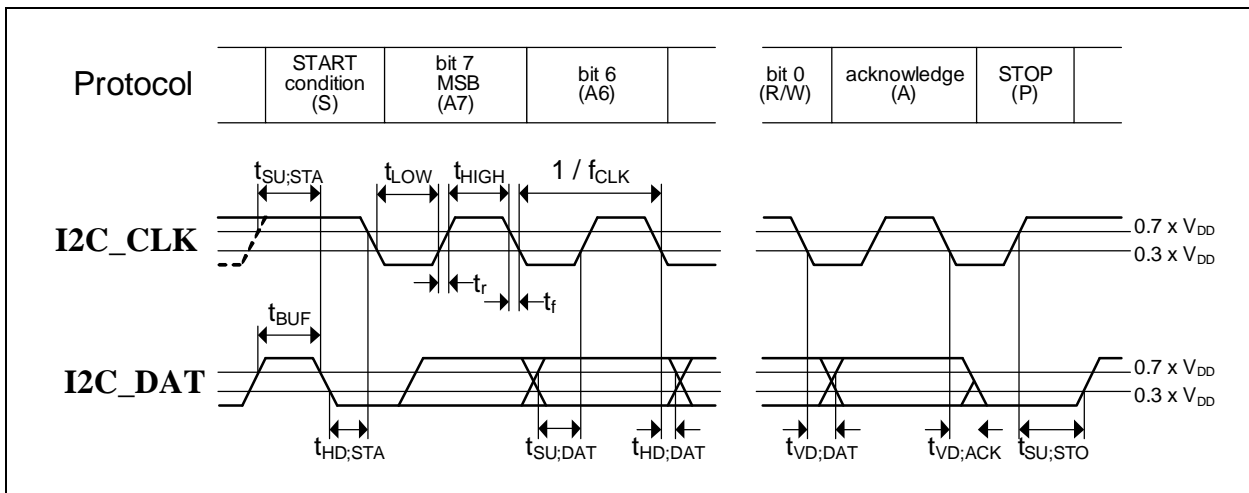


TABLE 16-10: I²C SLAVE TIMING VALUES

Symbol	Description	Min	Max	Units
f _{CLK}	I ² C_CLK clock frequency	0	1000	kHz
t _{BUF}	Bus free time between a STOP and START condition	0.5		μs
t _{HD:STA}	Hold time (repeated) START condition	0.26		μs
t _{SU:STA}	Setup time for repeated START condition	0.26		μs
t _{SU:STO}	Setup time for STOP condition	0.26		μs
t _{HD:DAT}	Data hold time	0		ns
t _{VD:ACK}	Data valid acknowledge time (Note 16-4)	0.05	0.45	μs
t _{VD:DAT}	Data valid time (Note 16-5)	50	450	ns
t _{SU:DAT}	Data setup time	50		ns
t _{LOW}	LOW period of the I ² C_CLK clock	0.5		μs
t _{HIGH}	HIGH period of the I ² C_CLK clock	0.26		μs
t _f	Fall time of I ² C_CLK and I ² C_DAT (Note 16-6)(Note 16-7)		120	ns
t _r	Rise time of I ² C_CLK and I ² C_DAT (Note 16-6)(Note 16-7)		120	ns
t _{SP}	Pulse width of spikes that must be suppressed by the input filter (Note 16-8)		50	ns

Note 16-4 t_{VD:ACK} = time for Acknowledgment signal from I²C_CLK LOW to I²C_DAT (out) LOW.

Note 16-5 t_{VD:DAT} = minimum time for I²C_DAT data out to be valid following I²C_CLK LOW.

Note 16-6 A master device must internally provide a hold time of at least 300 ns for the I²C_DAT signal (refer to the V_{IL} of the I²C_CLK signal) in order to bridge the undefined region I²C_CLK's falling edge.

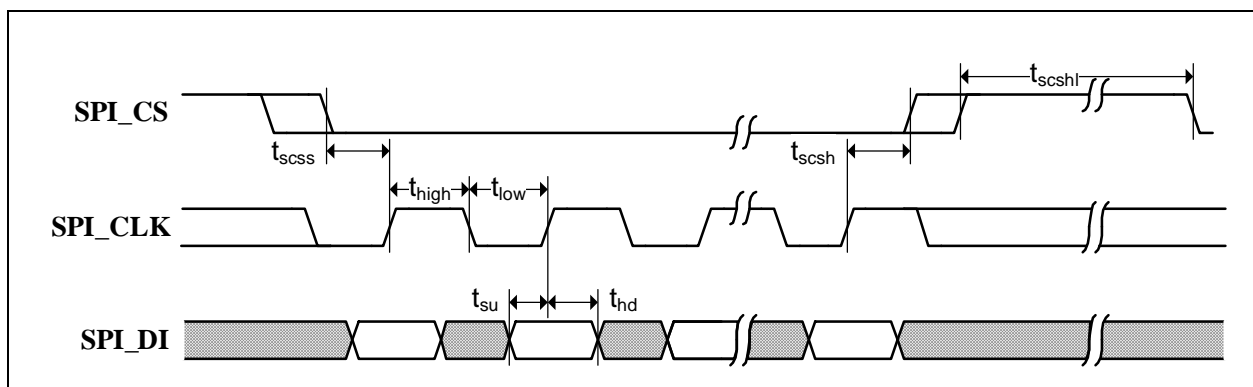
Note 16-7 The maximum t_f for the I²C_DAT and I²C_CLK bus lines is specified at 300 ns. The maximum fall time for the I²C_DAT output stage t_f is specified at 250 ns. This allows series protection resistors to be connected between the I²C_DAT and I²C_CLK pins and the respective bus lines without exceeding the maximum specified t_f.

Note 16-8 Input filters on the I²C_DAT and I²C_CLK inputs suppress noise spikes less than 50 ns.

16.6.3 SPI SLAVE INTERFACE (UPD360-C ONLY)

Figure 16-4 and Figure 16-5 illustrate the SPI slave interface input and output timing requirements, respectively. Refer to Section 6.0, "SPI Slave Controller (UPD360-C Only)," on page 26 for additional information.

FIGURE 16-4: SPI SLAVE INPUT TIMING



UPD360

FIGURE 16-5: SPI SLAVE OUTPUT TIMING

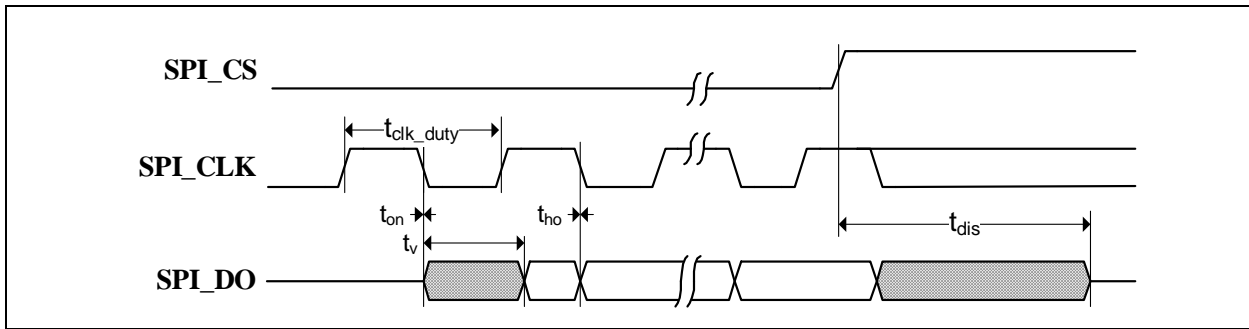


TABLE 16-11: SPI TIMING VALUES

Symbol	Description	Min	Typ	Max	Units
f_{sck}	SPI_CLK clock frequency			25	MHz
t_{clk_duty}	SPI_CLK high/low duty cycle	40		60	%
t_{scss}	SPI_CS setup time to SPI_CLK	5			ns
t_{scsh}	SPI_CS hold time from SPI_CLK	5			ns
t_{scshl}	SPI_CS inactive time	100			ns
t_{su}	Data input setup time to SPI_CLK	10			ns
t_{hd}	Data input hold time from SPI_CLK	4			ns
t_{on}	Data output turn on time from SPI_CLK	0			ns
t_v	Data output valid time from SPI_CLK			Note 16-9	ns
t_{ho}	Data output hold time from SPI_CLK	0			ns
t_{dis}	Data output disable time from SPI_CS inactive			20	ns

Note 16-9 8.5 or 8.0, depending on loading of 30pF or 10pF, respectively.

16.6.4 PORT POWER CONTROLLER AC PARAMETERS

TABLE 16-12: PORT POWER CONTROLLER AC PARAMETERS

Parameter	Symbol	Min	Typ	Max	Units	Notes
Turn On Delay	t_{ON_PSW}		0.75		ms	PWR_EN active toggle to switch on time, VBUS discharge not active.
Turn Off Time	$t_{OFF_PSW_INA}$		0.75		ms	PWR_EN inactive toggle to switch off time. $C_{BUS} = 120 \mu F$
Turn Off Time	$t_{OFF_PSW_ERR}$		1		ms	Over-current Error, VBUS Min Error, or Discharge Error to switch off. $C_{BUS} = 120 \mu F$ Note 16-10
Turn Off Time	$t_{OFF_PSW_ERR}$		100		ns	TSD or Back-drive Error to switch off. $C_{BUS} = 120 \mu F$
VBUS Output Rise Time	t_{R_BUS}		1.1		ms	Measured from 10% to 90% of VBUS , $C_{LOAD} = 220 \mu F$ $ILIM = 1.0 A$
Soft Turn on Rate	$\Delta I_{BUS} / \Delta t$		100		mA / μs	

TABLE 16-12: PORT POWER CONTROLLER AC PARAMETERS (CONTINUED)

Parameter	Symbol	Min	Typ	Max	Units	Notes
Temperature Update Time	t_{DC_TEMP}		200		ms	
Cycle Time	t_{CYCLE}		25		ms	Time period after which PPC faults are determined to be cleared, as part of the auto-recovery fault handler.
Short Circuit Response Time	t_{SHORT_LIM}		1.5		μ s	Time from detection of short to current limit applied. No C_{BUS} applied Note 16-10
Short Circuit Detection Time	t_{SHORT}		6		ms	Time from detection of short to port power switch disconnect and alert assertion. Note 16-10
Latched Mode Cycle Time	t_{UL}		7		ms	From PWR_EN edge transition from inactive to active to begin error recovery. Note 16-10
Discharge Time	$t_{DISCHARGE}$		200		ms	Amount of time discharge resistor applied. Programmable to 100-400 ms, default listed.
Port Power Switch Operation with Trip Mode Current Limiting						
Region 2 Current Keep-out	I_{BUS_R2MIN1}			0.1	A	Note 16-10
Minimum VBUS Allowed at Output	V_{BUS_MIN1}	2.0			V	Note 16-10

Note 16-10 Design guidance only. Not tested in production.

UPD360

17.0 PACKAGE INFORMATION

Note: For the most current package drawings, please see the Microchip Packaging Specification located at <http://www.microchip.com/packaging>

FIGURE 17-1: PACKAGE MARKING INFORMATION

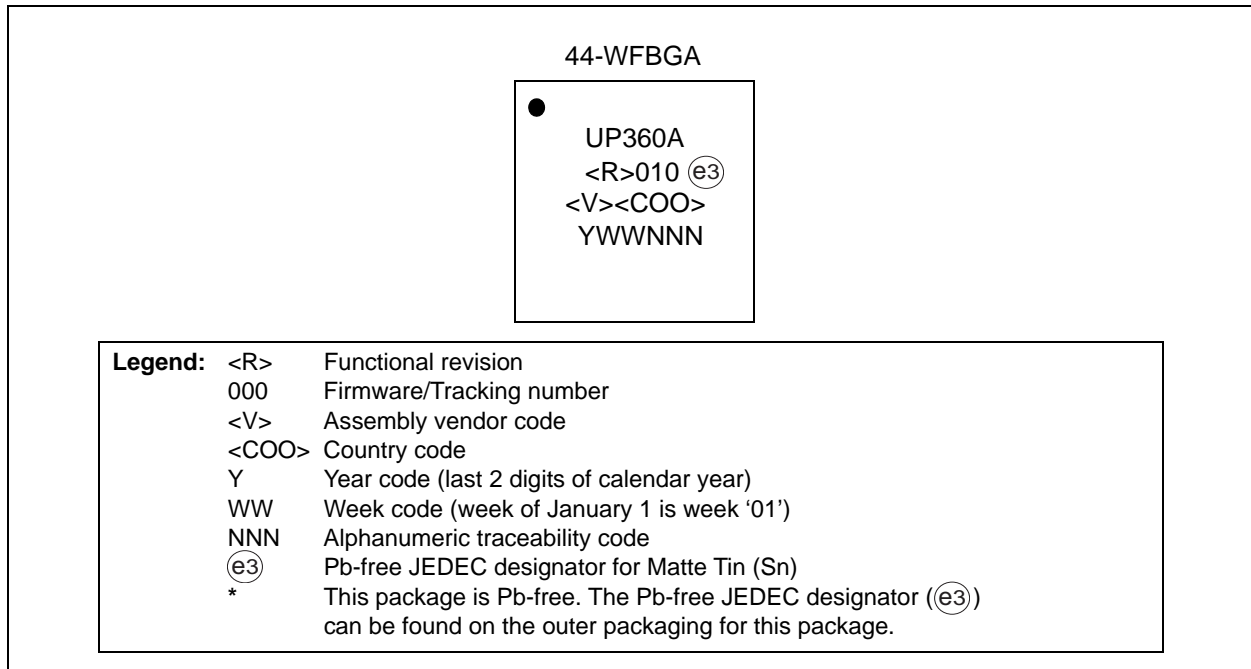
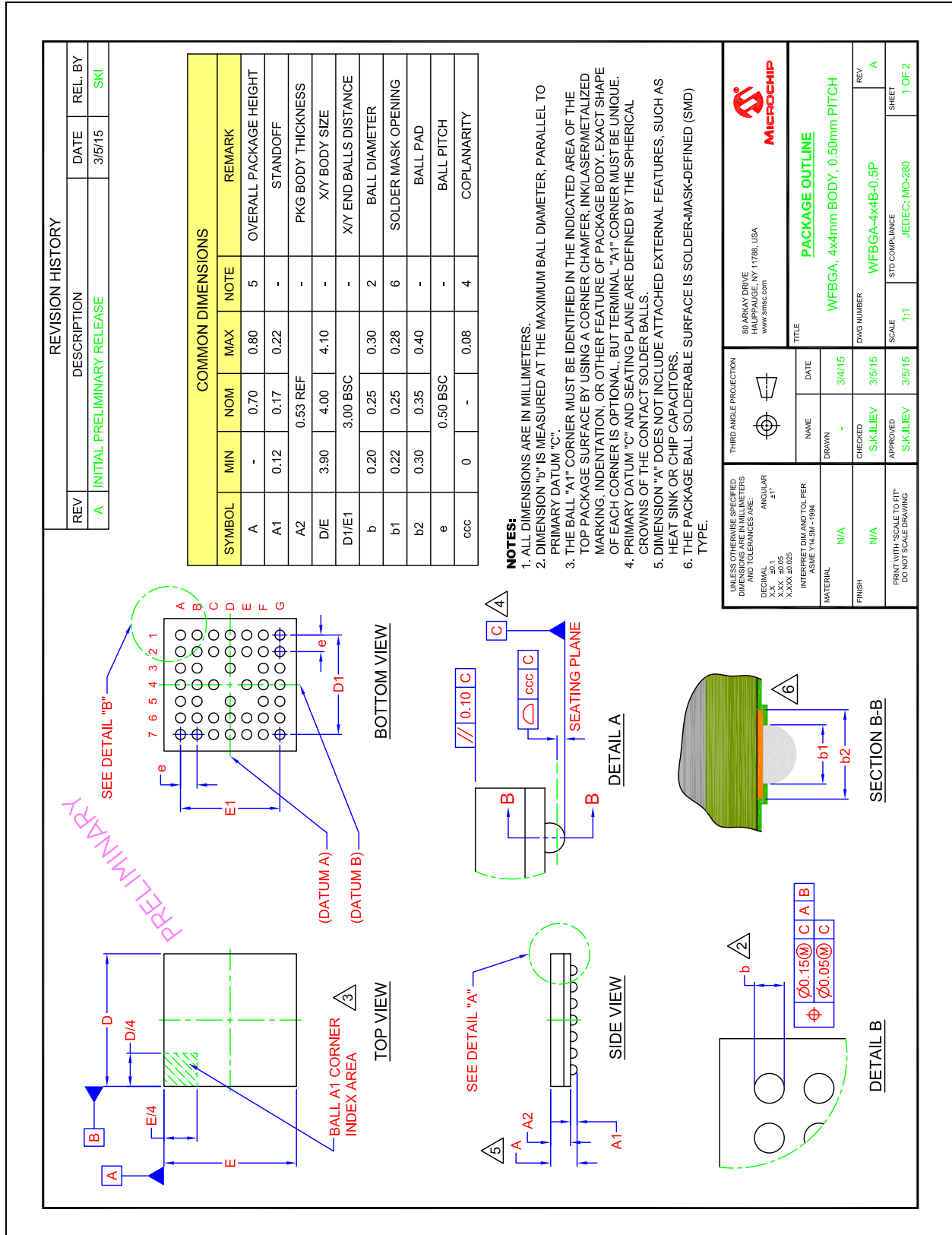
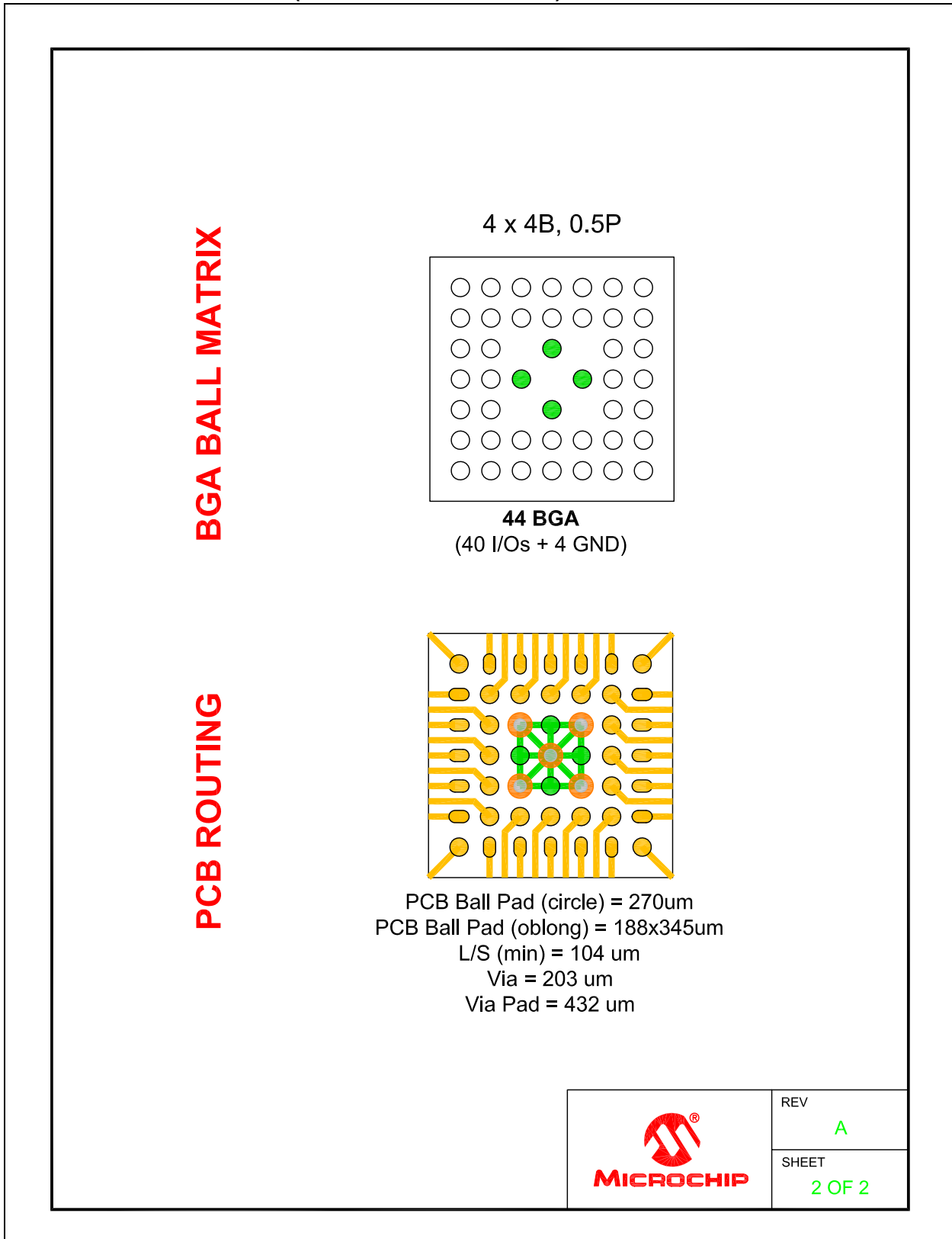


FIGURE 17-2: PACKAGE (DRAWING & DIMENSIONS)



UPD360

FIGURE 17-3: PACKAGE (BALL MATRIX & ROUTING)



APPENDIX A: DATA SHEET REVISION HISTORY

TABLE A-1: REVISION HISTORY

Revision	Section/Figure/Entry	Correction
DS00002084C (07-19-17)	Public Release	

UPD360

THE MICROCHIP WEB SITE

Microchip provides online support via our WWW site at www.microchip.com. This web site is used as a means to make files and information easily available to customers. Accessible by using your favorite Internet browser, the web site contains the following information:

- **Product Support** – Data sheets and errata, application notes and sample programs, design resources, user's guides and hardware support documents, latest software releases and archived software
- **General Technical Support** – Frequently Asked Questions (FAQ), technical support requests, online discussion groups, Microchip consultant program member listing
- **Business of Microchip** – Product selector and ordering guides, latest Microchip press releases, listing of seminars and events, listings of Microchip sales offices, distributors and factory representatives

CUSTOMER CHANGE NOTIFICATION SERVICE

Microchip's customer notification service helps keep customers current on Microchip products. Subscribers will receive e-mail notification whenever there are changes, updates, revisions or errata related to a specified product family or development tool of interest.

To register, access the Microchip web site at www.microchip.com. Under "Support", click on "Customer Change Notification" and follow the registration instructions.

CUSTOMER SUPPORT

Users of Microchip products can receive assistance through several channels:

- Distributor or Representative
- Local Sales Office
- Field Application Engineer (FAE)
- Technical Support

Customers should contact their distributor, representative or field application engineer (FAE) for support. Local sales offices are also available to help customers. A listing of sales offices and locations is included in the back of this document.

Technical support is available through the web site at: <http://www.microchip.com/support>

PRODUCT IDENTIFICATION SYSTEM

To order or obtain information, e.g., on pricing or delivery, refer to the factory or the listed sales office.

<u>PART NO.</u>	<u>[X]⁽¹⁾</u>	<u>-X</u>	<u>[X]</u>	<u>/XXX</u>
Device	Tape & Reel Option	Version	Temp. Range	Package
Device:	UPD360			
Tape and Reel Option:	Blank	= Standard packaging (tray)		
	T	= Tape and Reel (Note 1)		
Version:	A	= +1.8V I ² C Interface		
	B	= +3.3V I ² C Interface		
	C	= SPI Interface		
Temperature Range:	Blank	= 0°C to +70°C (Commercial)		
Package:	6HX	= 44-ball WFBGA		

Examples:

a) UPD360-A/6HX
+1.8V I²C Interface,
Standard packaging,
Commercial temperature,
44-ball WFBGA package

b) UPD360-T-B/6HX
+3.3V I²C Interface,
Tape and Reel,
Commercial temperature,
44-ball WFBGA package

c) UPD360-C/6HX
SPI Interface,
Standard packaging,
Commercial temperature,
44-ball WFBGA package

Note 1: Tape and Reel identifier only appears in the catalog part number description. This identifier is used for ordering purposes and is not printed on the device package. Check with your Microchip Sales Office for package availability with the Tape and Reel option.

UPD360

Note the following details of the code protection feature on Microchip devices:

- Microchip products meet the specification contained in their particular Microchip Data Sheet.
- Microchip believes that its family of products is one of the most secure families of its kind on the market today, when used in the intended manner and under normal conditions.
- There are dishonest and possibly illegal methods used to breach the code protection feature. All of these methods, to our knowledge, require using the Microchip products in a manner outside the operating specifications contained in Microchip's Data Sheets. Most likely, the person doing so is engaged in theft of intellectual property.
- Microchip is willing to work with the customer who is concerned about the integrity of their code.
- Neither Microchip nor any other semiconductor manufacturer can guarantee the security of their code. Code protection does not mean that we are guaranteeing the product as “unbreakable.”

Code protection is constantly evolving. We at Microchip are committed to continuously improving the code protection features of our products. Attempts to break Microchip's code protection feature may be a violation of the Digital Millennium Copyright Act. If such acts allow unauthorized access to your software or other copyrighted work, you may have a right to sue for relief under that Act.

Information contained in this publication regarding device applications and the like is provided only for your convenience and may be superseded by updates. It is your responsibility to ensure that your application meets with your specifications. MICROCHIP MAKES NO REPRESENTATIONS OR WARRANTIES OF ANY KIND WHETHER EXPRESS OR IMPLIED, WRITTEN OR ORAL, STATUTORY OR OTHERWISE, RELATED TO THE INFORMATION, INCLUDING BUT NOT LIMITED TO ITS CONDITION, QUALITY, PERFORMANCE, MERCHANTABILITY OR FITNESS FOR PURPOSE. Microchip disclaims all liability arising from this information and its use. Use of Microchip devices in life support and/or safety applications is entirely at the buyer's risk, and the buyer agrees to defend, indemnify and hold harmless Microchip from any and all damages, claims, suits, or expenses resulting from such use. No licenses are conveyed, implicitly or otherwise, under any Microchip intellectual property rights unless otherwise stated.

Trademarks

The Microchip name and logo, the Microchip logo, AnyRate, AVR, AVR logo, AVR Freaks, BeaconThings, BitCloud, CryptoMemory, CryptoRF, dsPIC, FlashFlex, flexPWR, Heldo, JukeBlox, KEELoQ, KEELoQ logo, Kleer, LANCheck, LINK MD, maXStylus, maXTouch, MediaLB, megaAVR, MOST, MOST logo, MPLAB, OptoLyzor, PIC, picoPower, PICSTART, PIC32 logo, Prochip Designer, QTouch, RightTouch, SAM-BA, SpyNIC, SST, SST Logo, SuperFlash, tinyAVR, UNI/O, and XMEGA are registered trademarks of Microchip Technology Incorporated in the U.S.A. and other countries.

ClockWorks, The Embedded Control Solutions Company, EtherSynch, Hyper Speed Control, HyperLight Load, IntelliMOS, mTouch, Precision Edge, and Quiet-Wire are registered trademarks of Microchip Technology Incorporated in the U.S.A.

Adjacent Key Suppression, AKS, Analog-for-the-Digital Age, Any Capacitor, AnyIn, AnyOut, BodyCom, chipKIT, chipKIT logo, CodeGuard, CryptoAuthentication, CryptoCompanion, CryptoController, dsPICDEM, dsPICDEM.net, Dynamic Average Matching, DAM, ECAN, EtherGREEN, In-Circuit Serial Programming, ICSP, Inter-Chip Connectivity, JitterBlocker, KleerNet, KleerNet logo, Mindi, MiWi, motorBench, MPASM, MPF, MPLAB Certified logo, MPLIB, MPLINK, MultiTRAK, NetDetach, Omniscient Code Generation, PICDEM, PICDEM.net, PICkit, PICtail, PureSilicon, QMatrix, RightTouch logo, REAL ICE, Ripple Blocker, SAM-ICE, Serial Quad I/O, SMART-I.S., SQI, SuperSwitcher, SuperSwitcher II, Total Endurance, TSHARC, USBCheck, VariSense, ViewSpan, WiperLock, Wireless DNA, and ZENA are trademarks of Microchip Technology Incorporated in the U.S.A. and other countries.

SQTP is a service mark of Microchip Technology Incorporated in the U.S.A.

Silicon Storage Technology is a registered trademark of Microchip Technology Inc. in other countries.

GestIC is a registered trademark of Microchip Technology Germany II GmbH & Co. KG, a subsidiary of Microchip Technology Inc., in other countries.

All other trademarks mentioned herein are property of their respective companies.

© 2016-2017, Microchip Technology Incorporated, All Rights Reserved.

ISBN: 9781522419181

QUALITY MANAGEMENT SYSTEM
CERTIFIED BY DNV
== ISO/TS 16949 ==

Microchip received ISO/TS-16949:2009 certification for its worldwide headquarters, design and wafer fabrication facilities in Chandler and Tempe, Arizona; Gresham, Oregon and design centers in California and India. The Company's quality system processes and procedures are for its PIC® MCUs and dsPIC® DSCs, KEELoQ® code hopping devices, Serial EEPROMs, microperipherals, nonvolatile memory and analog products. In addition, Microchip's quality system for the design and manufacture of development systems is ISO 9001:2000 certified.



MICROCHIP

Worldwide Sales and Service

AMERICAS

Corporate Office
2355 West Chandler Blvd.
Chandler, AZ 85224-6199
Tel: 480-792-7200
Fax: 480-792-7277
Technical Support:
<http://www.microchip.com/support>
Web Address:
www.microchip.com

Atlanta
Duluth, GA
Tel: 678-957-9614
Fax: 678-957-1455

Austin, TX
Tel: 512-257-3370

Boston
Westborough, MA
Tel: 774-760-0087
Fax: 774-760-0088

Chicago
Itasca, IL
Tel: 630-285-0071
Fax: 630-285-0075

Dallas
Addison, TX
Tel: 972-818-7423
Fax: 972-818-2924

Detroit
Novi, MI
Tel: 248-848-4000

Houston, TX
Tel: 281-894-5983

Indianapolis
Noblesville, IN
Tel: 317-773-8323
Fax: 317-773-5453
Tel: 317-536-2380

Los Angeles
Mission Viejo, CA
Tel: 949-462-9523
Fax: 949-462-9608
Tel: 951-273-7800

Raleigh, NC
Tel: 919-844-7510

New York, NY
Tel: 631-435-6000

San Jose, CA
Tel: 408-735-9110
Tel: 408-436-4270

Canada - Toronto
Tel: 905-695-1980
Fax: 905-695-2078

ASIA/PACIFIC

Asia Pacific Office
Suites 3707-14, 37th Floor
Tower 6, The Gateway
Harbour City, Kowloon

Hong Kong
Tel: 852-2943-5100
Fax: 852-2401-3431

Australia - Sydney
Tel: 61-2-9868-6733
Fax: 61-2-9868-6755

China - Beijing
Tel: 86-10-8569-7000
Fax: 86-10-8528-2104

China - Chengdu
Tel: 86-28-8665-5511
Fax: 86-28-8665-7889

China - Chongqing
Tel: 86-23-8980-9588
Fax: 86-23-8980-9500

China - Dongguan
Tel: 86-769-8702-9880

China - Guangzhou
Tel: 86-20-8755-8029

China - Hangzhou
Tel: 86-571-8792-8115
Fax: 86-571-8792-8116

China - Hong Kong SAR
Tel: 852-2943-5100
Fax: 852-2401-3431

China - Nanjing
Tel: 86-25-8473-2460
Fax: 86-25-8473-2470

China - Qingdao
Tel: 86-532-8502-7355
Fax: 86-532-8502-7205

China - Shanghai
Tel: 86-21-3326-8000
Fax: 86-21-3326-8021

China - Shenyang
Tel: 86-24-2334-2829
Fax: 86-24-2334-2393

China - Shenzhen
Tel: 86-755-8864-2200
Fax: 86-755-8203-1760

China - Wuhan
Tel: 86-27-5980-5300
Fax: 86-27-5980-5118

China - Xian
Tel: 86-29-8833-7252
Fax: 86-29-8833-7256

ASIA/PACIFIC

China - Xiamen
Tel: 86-592-2388138
Fax: 86-592-2388130

China - Zhuhai
Tel: 86-756-3210040
Fax: 86-756-3210049

India - Bangalore
Tel: 91-80-3090-4444
Fax: 91-80-3090-4123

India - New Delhi
Tel: 91-11-4160-8631
Fax: 91-11-4160-8632

India - Pune
Tel: 91-20-3019-1500

Japan - Osaka
Tel: 81-6-6152-7160
Fax: 81-6-6152-9310

Japan - Tokyo
Tel: 81-3-6880-3770
Fax: 81-3-6880-3771

Korea - Daegu
Tel: 82-53-744-4301
Fax: 82-53-744-4302

Korea - Seoul
Tel: 82-2-554-7200
Fax: 82-2-558-5932 or
82-2-558-5934

Malaysia - Kuala Lumpur
Tel: 60-3-6201-9857
Fax: 60-3-6201-9859

Malaysia - Penang
Tel: 60-4-227-8870
Fax: 60-4-227-4068

Philippines - Manila
Tel: 63-2-634-9065
Fax: 63-2-634-9069

Singapore
Tel: 65-6334-8870
Fax: 65-6334-8850

Taiwan - Hsin Chu
Tel: 886-3-5778-366
Fax: 886-3-5770-955

Taiwan - Kaohsiung
Tel: 886-7-213-7830

Taiwan - Taipei
Tel: 886-2-2508-8600
Fax: 886-2-2508-0102

Thailand - Bangkok
Tel: 66-2-694-1351
Fax: 66-2-694-1350

EUROPE

Austria - Wels
Tel: 43-7242-2244-39
Fax: 43-7242-2244-393

Denmark - Copenhagen
Tel: 45-4450-2828
Fax: 45-4485-2829

Finland - Espoo
Tel: 358-9-4520-820

France - Paris
Tel: 33-1-69-53-63-20
Fax: 33-1-69-30-90-79

France - Saint Cloud
Tel: 33-1-30-60-70-00

Germany - Garching
Tel: 49-8931-9700

Germany - Haan
Tel: 49-2129-3766400

Germany - Heilbronn
Tel: 49-7131-67-3636

Germany - Karlsruhe
Tel: 49-721-625370

Germany - Munich
Tel: 49-89-627-144-0
Fax: 49-89-627-144-44

Germany - Rosenheim
Tel: 49-8031-354-560

Israel - Ra'anana
Tel: 972-9-744-7705

Italy - Milan
Tel: 39-0331-742611
Fax: 39-0331-466781

Italy - Padova
Tel: 39-049-7625286

Netherlands - Drunen
Tel: 31-416-690399
Fax: 31-416-690340

Norway - Trondheim
Tel: 47-7289-7561

Poland - Warsaw
Tel: 48-22-3325737

Romania - Bucharest
Tel: 40-21-407-87-50

Spain - Madrid
Tel: 34-91-708-08-90
Fax: 34-91-708-08-91

Sweden - Gothenberg
Tel: 46-31-704-60-40

Sweden - Stockholm
Tel: 46-8-5090-4654

UK - Wokingham
Tel: 44-118-921-5800
Fax: 44-118-921-5820

X-ON Electronics

Largest Supplier of Electrical and Electronic Components

Click to view similar products for [USB Interface IC](#) category:

Click to view products by [Microchip](#) manufacturer:

Other Similar products are found below :

[CY7C69356-48LTXC](#) [USB3319C-GJ-TR](#) [USB3370B-EZK-TR](#) [CYPD2120-24LQXI](#) [CYPD2122-20FNXIT](#) [CYPD2122-24LQXIT](#) [LIF-UC120-SWG36ITR50](#) [UPD360-A/6HX](#) [CP2102NP1174GM](#) [DPO2039DABQ-13](#) [CY7C68034-56LTXC](#) [TUSB212RWBT](#) [TUSB213IRGYT](#) [TUSB213RGYT](#) [USB3503T-I/ML](#) [CY7C63310-SXC](#) [USB3316C-CP-TR](#) [USB3250-ABZJ](#) [MAX3107ETG+](#) [MAX14632EZK+T](#) [LAN9514-JZX](#) [CYPD2120-24LQXIT](#) [MAX3100CEE+T](#) [USB5806/KD](#) [USB5826-I/KD](#) [USB5826/KD](#) [USB5906/KD](#) [USB5916/KD](#) [USB5926/KD](#) [TUSB215QRGYTQ1](#) [NB7NPQ701MMTTBG](#) [TUSB213RGYR](#) [USB5926-I/KD](#) [USB5906-I/KD](#) [USB4640I-HZH-03](#) [CY7C63813-SXC](#) [CY7C63823-SXC](#) [CY7C64215-28PVXC](#) [CY7C68013A-128AXC](#) [CY7C68013A-56LTXC](#) [CY7C68013A-56LTXI](#) [CY7C68013A-56PVXC](#) [CY7C68013A-56PVXI](#) [CYPD1120-40LQXI](#) [AP43771VDKZ-13](#) [AP43771VFBZ-13](#) [DIO32320MP10](#) [HT42B534-2](#) [FT2232HPQ-TRAY](#) [FT312D-32L1C-T](#)