

---

---

## 6-Port USB 3.2 Gen 2 Controller Hub

---

---

### Highlights

- 6-Port USB Smart Hub with:
  - Five Standard USB 3.2 Gen 2 downstream ports
  - One Standard USB 2.0 downstream port
  - Internal Hub Feature Controller enables:
    - USB to I<sup>2</sup>C/SPI/I<sup>2</sup>S/GPIO bridge endpoint support
    - USB to internal hub register write and read
- USB Link Power Management (LPM) support
- Programming of firmware image to external SPI memory device from USB host
- USB-IF Battery Charger revision 1.2 support on downstream ports (DCP, CDP, SDP)
- Enhanced OEM configuration options available through either OTP or external SPI memory
- Available in 100-pin (12mm x 12mm) VQFN RoHS compliant package
- Commercial and industrial grade temperature support

### Target Applications

- Standalone USB Hubs
- Laptop Docks
- PC Motherboards
- PC Monitor Docks
- Multi-function USB 3.2 Gen 2 Peripherals

### Key Benefits

- USB 3.2 Gen 2 compliant 10 Gbps, 5 Gbps, 480 Mbps, 12 Mbps, and 1.5Mbps operation
  - 5V tolerant USB 2.0 pins
  - 1.21V tolerant USB 3.2 Gen 2 pins
  - Integrated termination and pull-up/down resistors
  -

- Supports battery charging of most popular battery powered devices on all ports
  - USB-IF Battery Charging rev. 1.2 support (DCP, CDP, SDP)
  - Apple® portable product charger emulation
  - Chinese YD/T 1591-2006/2009 charger emulation
  - European Union universal mobile charger support
  - Supports additional portable devices
- On-chip Microcontroller
  - manages I/Os, VBUS, and other signals
- 96kB RAM, 256kB ROM
- 8kB One-Time-Programmable (OTP) ROM
  - Includes on-chip charge pump
- Configuration programming via OTP Memory, SPI external memory, or SMBus
- **FlexConnect**
  - The roles of the upstream and all downstream ports are reversible on command
- **USB Bridging**
  - USB to I<sup>2</sup>C, SPI, I<sup>2</sup>S, and GPIO
- **PortSwap**
  - Configurable USB 2.0 differential pair signal swap
- **PHYBoost**
  - Programmable USB transceiver drive strength for recovering signal integrity
- **VariSense**
  - Programmable USB receive sensitivity
- **PortSplit**
  - USB 2.0 and USB 3.2 Gen 2 port operation can be split for custom applications using embedded USB 3.x devices in parallel with USB 2.0 devices
- Compatible with Microsoft Windows 10, 8, 7, XP, Apple OS X 10.4+, and Linux hub drivers
- Optimized for low-power operation and low thermal dissipation
- 100-pin VQFN package (12mm x 12mm)

## TO OUR VALUED CUSTOMERS

It is our intention to provide our valued customers with the best documentation possible to ensure successful use of your Microchip products. To this end, we will continue to improve our publications to better suit your needs. Our publications will be refined and enhanced as new volumes and updates are introduced.

If you have any questions or comments regarding this publication, please contact the Marketing Communications Department via E-mail at [docerrors@microchip.com](mailto:docerrors@microchip.com) or fax the **Reader Response Form** in the back of this data sheet to (480) 792-4150. We welcome your feedback.

### Most Current Data Sheet

To obtain the most up-to-date version of this data sheet, please register at our Worldwide Web site at:

<http://www.microchip.com>

You can determine the version of a data sheet by examining its literature number found on the bottom outside corner of any page. The last character of the literature number is the version number, (e.g., DS30000A is version A of document DS30000).

### Errata

An errata sheet, describing minor operational differences from the data sheet and recommended workarounds, may exist for current devices. As device/documentation issues become known to us, we will publish an errata sheet. The errata will specify the revision of silicon and revision of document to which it applies.

To determine if an errata sheet exists for a particular device, please check with one of the following:

- Microchip's Worldwide Web site; <http://www.microchip.com>
- Your local Microchip sales office (see last page)

When contacting a sales office, please specify which device, revision of silicon and data sheet (include literature number) you are using.

### Customer Notification System

Register on our web site at [www.microchip.com](http://www.microchip.com) to receive the most current information on all of our products.

## 1.0 PREFACE

### 1.1 General Terms

**TABLE 1-1: GENERAL TERMS**

| Term                          | Description  |
|-------------------------------|--|
| <b>ADC</b>                    | Analog-to-Digital Converter  |
| <b>Byte</b>                   | 8 bits   |
| <b>CDC</b>                    | Communication Device Class   |
| <b>CSR</b>                    | Control and Status Registers   |
| <b>DFP</b>                    | Downstream Facing Port   |
| <b>DWORD</b>                  | 32 bits  |
| <b>EOP</b>                    | End of Packet  |
| <b>EP</b>                     | Endpoint   |
| <b>FIFO</b>                   | First In First Out buffer  |
| <b>FS</b>                     | Full-Speed   |
| <b>FSM</b>                    | Finite State Machine   |
| <b>GPIO</b>                   | General Purpose I/O  |
| <b>HS</b>                     | Hi-Speed   |
| <b>HSOS</b>                   | High Speed Over Sampling   |
| <b>Hub Feature Controller</b> | The Hub Feature Controller, sometimes called a Hub Controller for short is the internal processor used to enable the unique features of the USB Controller Hub. This is not to be confused with the USB Hub Controller that is used to communicate the hub status back to the Host during a USB session. |
| <b>I<sup>2</sup>C</b>         | Inter-Integrated Circuit   |
| <b>LS</b>                     | Low-Speed  |
| <b>lsb</b>                    | Least Significant Bit  |
| <b>LSB</b>                    | Least Significant Byte   |
| <b>msb</b>                    | Most Significant Bit   |
| <b>MSB</b>                    | Most Significant Byte  |
| <b>N/A</b>                    | Not Applicable   |
| <b>NC</b>                     | No Connect   |
| <b>OTP</b>                    | One Time Programmable  |
| <b>PCB</b>                    | Printed Circuit Board  |
| <b>PCS</b>                    | Physical Coding Sublayer   |
| <b>PHY</b>                    | Physical Layer   |
| <b>PLL</b>                    | Phase Lock Loop  |
| <b>RESERVED</b>               | Refers to a reserved bit field or address. Unless otherwise noted, reserved bits must always be zero for write operations. Unless otherwise noted, values are not guaranteed when reading reserved bits. Unless otherwise noted, do not read or write to reserved addresses.                             |
| <b>SDK</b>                    | Software Development Kit   |
| <b>SMBus</b>                  | System Management Bus  |
| <b>UFP</b>                    | Upstream Facing Port   |
| <b>UUID</b>                   | Universally Unique IDentifier  |
| <b>WORD</b>                   | 16 bits  |

# USB7206

---

## 1.2 Buffer Types

TABLE 1-2: BUFFER TYPES

| Buffer Type | Description  |
|-------------|--|
| I           | Input.   |
| IS          | Input with Schmitt trigger.  |
| O12         | Output buffer with 12 mA sink and 12 mA source.  |
| OD12        | Open-drain output with 12 mA sink  |
| PU          | 50 $\mu$ A (typical) internal pull-up. Unless otherwise noted in the pin description, internal pull-ups are always enabled.<br><br>Internal pull-up resistors prevent unconnected inputs from floating. Do not rely on internal resistors to drive signals external to the device. When connected to a load that must be pulled high, an external resistor must be added.      |
| PD          | 50 $\mu$ A (typical) internal pull-down. Unless otherwise noted in the pin description, internal pull-downs are always enabled.<br><br>Internal pull-down resistors prevent unconnected inputs from floating. Do not rely on internal resistors to drive signals external to the device. When connected to a load that must be pulled low, an external resistor must be added. |
| ICLK        | Crystal oscillator input pin   |
| OCLK        | Crystal oscillator output pin  |
| I/O-U       | Analog input/output defined in USB specification.  |
| I-R         | RBIAS.   |
| A           | Analog.  |
| AIO         | Analog bidirectional.  |
| P           | Power pin.   |

## 1.3 Pin Reset States

The pin reset state definitions are detailed in [Table 1-3](#). Refer to [Section 3.1, Pin Assignments](#) for details on individual pin reset states.

**TABLE 1-3: PIN RESET STATE LEGEND**

| Symbol | Description                                      |
|--------|--|
| AI     | Analog input                                     |
| AIO    | Analog input/output                              |
| AO     | Analog output                                    |
| PD     | Hardware enables pull-down                       |
| PU     | Hardware enables pull-up                         |
| Y      | Hardware enables function                        |
| Z      | Hardware disables output driver (high impedance) |
| PU     | Hardware enables internal pull-up                |
| PD     | Hardware enables internal pull-down              |

## 1.4 Reference Documents

1. *Universal Serial Bus Revision 3.2 Specification*, <http://www.usb.org>
2. *Battery Charging Specification*, Revision 1.2, Dec. 07, 2010, <http://www.usb.org>
3. *I<sup>2</sup>C-Bus Specification*, Version 1.1, [http://www.nxp.com/documents/user\\_manual/UM10204.pdf](http://www.nxp.com/documents/user_manual/UM10204.pdf)
4. *I<sup>2</sup>S-Bus Specification*, <http://www.sparkfun.com/datasheets/BreakoutBoards/I2SBUS.pdf>
5. *System Management Bus Specification*, Version 1.0, <http://smbus.org/specs>

**Note:** Additional USB7206 resources can be found on the Microchip USB7206 product page at [www.microchip.com/USB7206](http://www.microchip.com/USB7206).

# USB7206

---

## 2.0 INTRODUCTION

### 2.1 General Description

The Microchip USB7206 hub is a low-power, OEM configurable, USB 3.2 Gen 2 hub controller with 6 downstream ports and advanced features for embedded USB applications. The USB7206 is fully compliant with the Universal Serial Bus Revision 3.2 Specification and USB 2.0 Link Power Management Addendum. The USB7206 supports 10 Gbps Super-Speed+ (SS+), 5 Gbps SuperSpeed (SS), 480 Mbps Hi-Speed (HS), 12 Mbps Full-Speed (FS), and 1.5 Mbps Low-Speed (LS) USB downstream devices on five standard USB 3.2 Gen 2 downstream ports and only legacy speeds (HS/FS/LS) on one standard USB 2.0 downstream port.

The USB7206 supports the legacy USB speeds (HS/FS/LS) through a dedicated USB 2.0 hub controller that is the culmination of seven generations of Microchip hub feature controller design and experience with proven reliability, interoperability, and device compatibility. The SuperSpeed hub controller operates in parallel with the USB 2.0 controller, decoupling the 10/5 Gbps SS+/SS data transfers from bottlenecks due to the slower USB 2.0 traffic.

The USB7206 enables OEMs to configure their system using “Configuration Straps.” These straps simplify the configuration process assigning default values to USB 3.2 Gen 2 ports and GPIOs. OEMs can disable ports, enable battery charging and define GPIO functions as default assignments on power up removing the need for OTP or external SPI ROM.

The USB7206 supports downstream battery charging. The USB7206 integrated battery charger detection circuitry supports the USB-IF Battery Charging (BC1.2) detection method and most Apple devices. The USB7206 provides the battery charging handshake and supports the following USB-IF BC1.2 charging profiles:

- DCP: Dedicated Charging Port (Power brick with no data)
- CDP: Charging Downstream Port (1.5A with data)
- SDP: Standard Downstream Port (0.5A[USB 2.0]/0.9A[USB 3.2] with data)

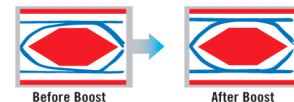
Additionally, the USB7206 includes many powerful and unique features such as:

**The Hub Feature Controller**, an internal USB device dedicated for use as a USB to I<sup>2</sup>C/SPI/GPIO interface that allows external circuits or devices to be monitored, controlled, or configured via the USB interface.

**FlexConnect**, which provides flexible connectivity options. One of the USB7206’s downstream ports can be reconfigured to become the upstream port, allowing master capable devices to control other devices on the hub.

**PortSwap**, which adds per-port programmability to USB differential-pair pin locations. PortSwap allows direct alignment of USB signals (D+/D-) to connectors to avoid uneven trace length or crossing of the USB differential signals on the PCB.

**PHYBoost**, which provides programmable levels of Hi-Speed USB signal drive strength in the downstream port transceivers. PHYBoost attempts to restore USB signal integrity in a compromised system environment. The graphic on the right shows an example of Hi-Speed USB eye diagrams before and after PHYBoost signal integrity restoration. in a compromised system environment.



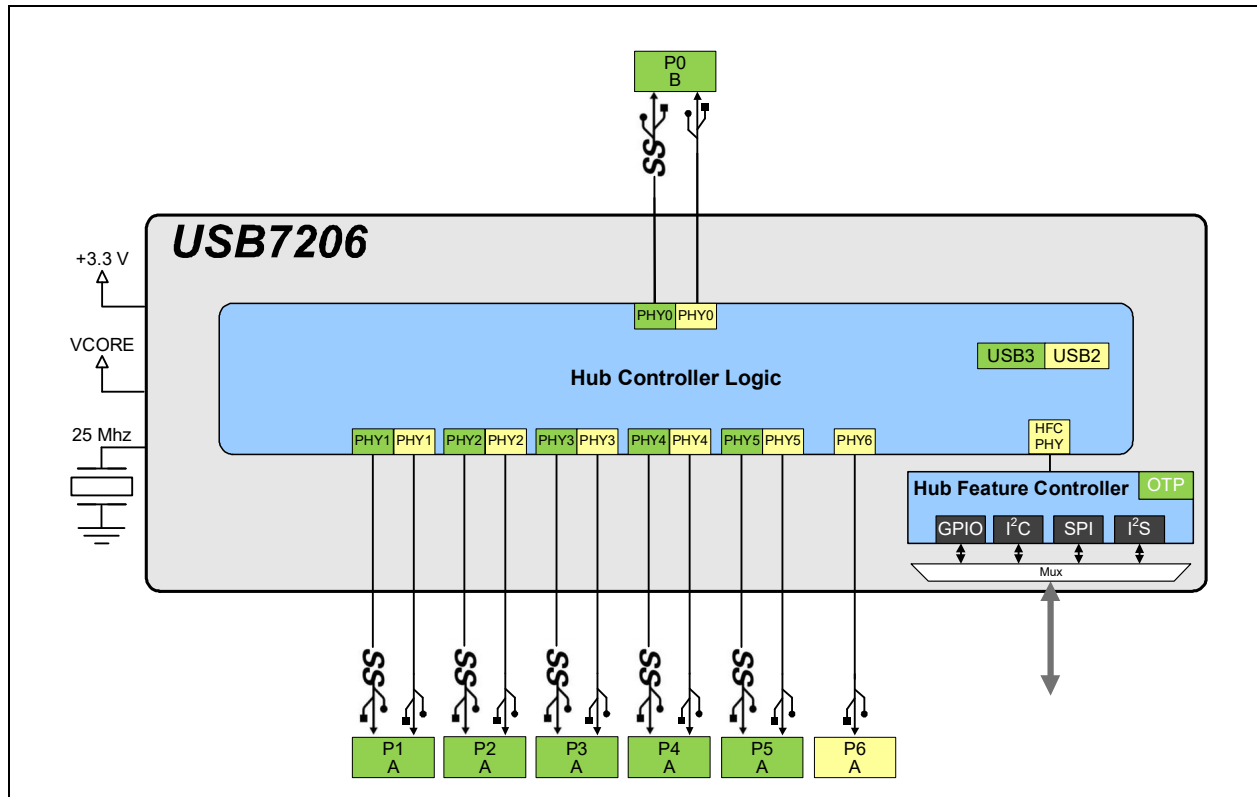
**VariSense**, which controls the Hi-Speed USB receiver sensitivity enabling programmable levels of USB signal receive sensitivity. This capability allows operation in a sub-optimal system environment, such as when a captive USB cable is used.

**Port Split**, which allows for the USB 3.2 Gen 2 and USB 2.0 portions of downstream ports 3, 4, and 5 to operate independently and enumerate two separate devices in parallel in special applications.

The USB7206 can be configured for operation through internal default settings. Custom OEM configurations are supported through external SPI ROM or OTP ROM. All port control signal pins are under firmware control in order to allow for maximum operational flexibility and are available as GPIOs for customer specific use.

The USB7206 is available in commercial (0°C to +70°C) and industrial (-40°C to +85°C) temperature ranges. An internal block diagram of the USB7206 in an upstream Type-B application is shown in Figure 2-1.

**FIGURE 2-1: USB7206 INTERNAL BLOCK DIAGRAM - UPSTREAM TYPE-B APPLICATION**



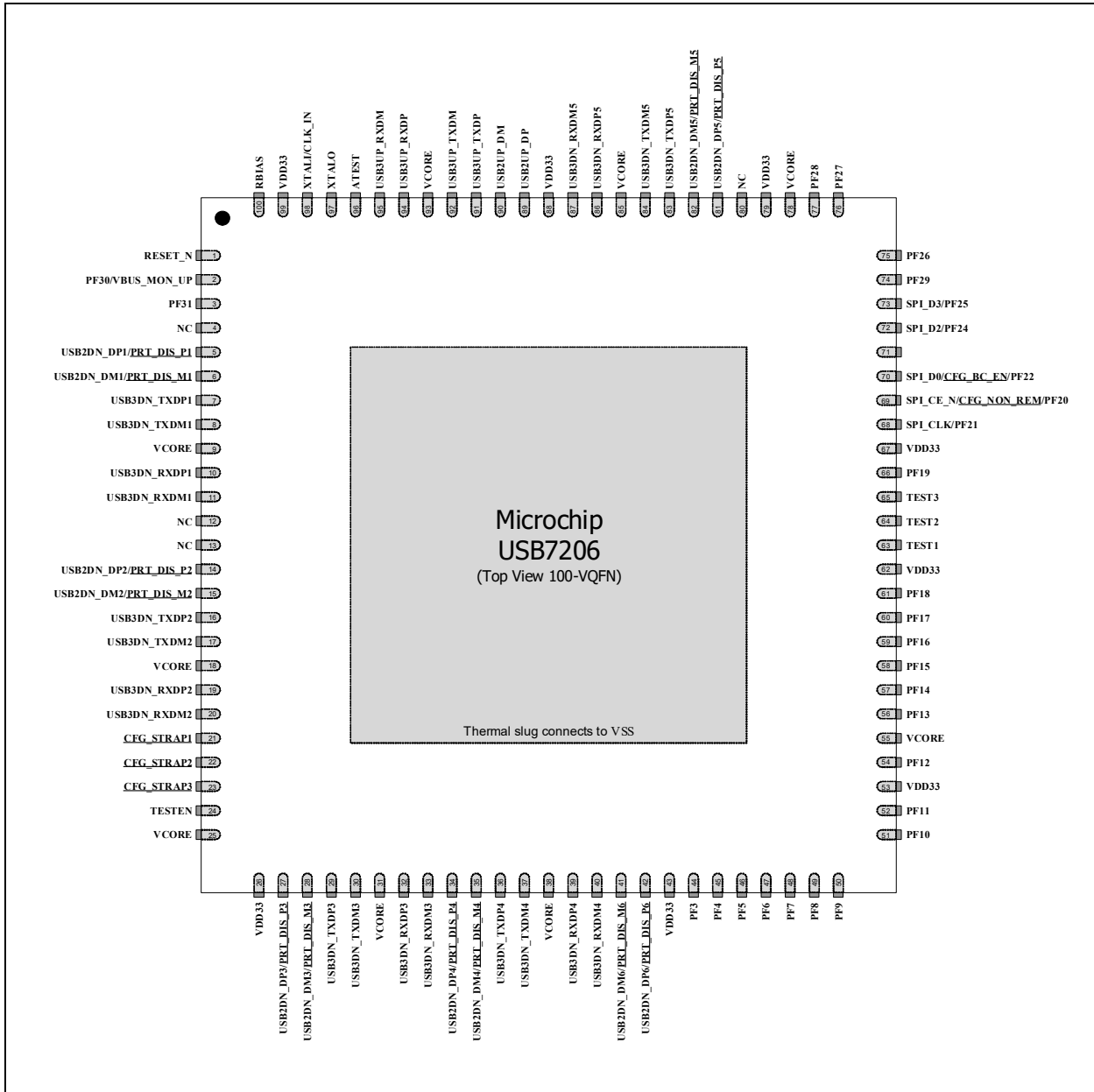
**Note:** All port numbering in this document is LOGICAL port numbering with the device in the default configuration. LOGICAL port numbering is the numbering as communicated to the USB host. It is the end result after any port number remapping or port disabling. The PHYSICAL port number is the port number with respect to the physical PHY on the chip. PHYSICAL port numbering is fixed and the settings are not impacted by LOGICAL port renumbering/remapping. Certain port settings are made with respect to LOGICAL port numbering, and other port settings are made with respect to PHYSICAL port numbering. Refer to the “Configuration of USB7202/USB7206/USB725x” application note for details on the LOGICAL vs. PHYSICAL mapping and additional configuration details.

# USB7206

## 3.0 PIN DESCRIPTIONS

### 3.1 Pin Assignments

FIGURE 3-1: USB7206 100-VQFN PIN ASSIGNMENTS



**Note:** Configuration straps are identified by an underlined symbol name. Signals that function as configuration straps must be augmented with an external resistor when connected to a load.



| Pin Num | Pin Name              | Reset  | Pin Num | Pin Name                  | Reset  |
|---------|-----------------------|--------|---------|---------------------------|--------|
| 1       | RESET_N               | Z      | 51      | PF10                      | PD     |
| 2       | PF30/VBUS_MON_UP      | Z      | 52      | PF11                      | PD     |
| 3       | PF31                  | Z      | 53      | VDD33                     | Z      |
| 4       | NC                    | AI     | 54      | PF12                      | PD     |
| 5       | USB2DN_DP1/PRT_DIS_P1 | AIO PD | 55      | VCORE                     | Z      |
| 6       | USB2DN_DM1/PRT_DIS_M1 | AIO PD | 56      | PF13                      | PD     |
| 7       | USB3DN_TXDP1          | AO PD  | 57      | PF14                      | PD     |
| 8       | USB3DN_TXDM1          | AO PD  | 58      | PF15                      | PD     |
| 9       | VCORE                 | Z      | 59      | PF16                      | PD     |
| 10      | USB3DN_RXDP1          | AI PD  | 60      | PF17                      | PD     |
| 11      | USB3DN_RXDM1          | AI PD  | 61      | PF18                      | Z      |
| 12      | NC                    | AI     | 62      | VDD33                     | Z      |
| 13      | NC                    | AI     | 63      | TEST1                     | Z      |
| 14      | USB2DN_DP2/PRT_DIS_P2 | AIO PD | 64      | TEST2                     | Z      |
| 15      | USB2DN_DM2/PRT_DIS_M2 | AIO PD | 65      | TEST3                     | Z      |
| 16      | USB3DN_TXDP2          | AO PD  | 66      | PF19                      | Z      |
| 17      | USB3DN_TXDM2          | AO PD  | 67      | VDD33                     | Z      |
| 18      | VCORE                 | Z      | 68      | SPI_CLK/PF21              | Z      |
| 19      | USB3DN_RXDP2          | AI PD  | 69      | SPI_CE_N/CFG_NON_REM/PF20 | PU     |
| 20      | USB3DN_RXDM2          | AI PD  | 70      | SPI_D0/CFG_BC_EN/PF22     | Z      |
| 21      | CFG_STRAP1            | Z      | 71      | SPI_D1/PF23               | Z      |
| 22      | CFG_STRAP2            | Z      | 72      | SPI_D2/PF24               | Z      |
| 23      | CFG_STRAP3            | Z      | 73      | SPI_D3/PF25               | Z      |
| 24      | TESTEN                | Z      | 74      | PF29                      | Z      |
| 25      | VCORE                 | Z      | 75      | PF26                      | Z      |
| 26      | VDD33                 | Z      | 76      | PF27                      | Z      |
| 27      | USB2DN_DP3/PRT_DIS_P3 | AIO PD | 77      | PF28                      | Z      |
| 28      | USB2DN_DM3/PRT_DIS_M3 | AIO PD | 78      | VCORE                     | Z      |
| 29      | USB3DN_TXDP3          | AO PD  | 79      | VDD33                     | Z      |
| 30      | USB3DN_TXDM3          | AO PD  | 80      | NC                        | AI     |
| 31      | VCORE                 | Z      | 81      | USB2DN_DP5/PRT_DIS_P5     | AIO PD |
| 32      | USB3DN_RXDP3          | AI PD  | 82      | USB2DN_DM5/PRT_DIS_M5     | AIO PD |
| 33      | USB3DN_RXDM3          | AI PD  | 83      | USB3DN_TXDP5              | AO PD  |
| 34      | USB2DN_DP4/PRT_DIS_P4 | AIO PD | 84      | USB3DN_TXDM5              | AO PD  |
| 35      | USB2DN_DM4/PRT_DIS_M4 | AIO PD | 85      | VCORE                     | Z      |
| 36      | USB3DN_TXDP4          | AO PD  | 86      | USB3DN_RXDP5              | AI PD  |
| 37      | USB3DN_TXDM4          | AO PD  | 87      | USB3DN_RXDM5              | AI PD  |
| 38      | VCORE                 | Z      | 88      | VDD33                     | Z      |
| 39      | USB3DN_RXDP4          | AI PD  | 89      | USB2UP_DP                 | AIO Z  |
| 40      | USB3DN_RXDM4          | AI PD  | 90      | USB2UP_DM                 | AIO Z  |
| 41      | USB2DN_DM6/PRT_DIS_M6 | AIO PD | 91      | USB3UP_TXDP               | AO PD  |
| 42      | USB2DN_DP6/PRT_DIS_P6 | AIO PD | 92      | USB3UP_TXDM               | AO PD  |
| 43      | VDD33                 | Z      | 93      | VCORE                     | Z      |
| 44      | PF3                   | Z      | 94      | USB3UP_RXDP               | AI PD  |
| 45      | PF4                   | Z      | 95      | USB3UP_RXDM               | AI PD  |
| 46      | PF5                   | Z      | 96      | ATEST                     | AO     |
| 47      | PF6                   | Z      | 97      | XTALO                     | AO     |
| 48      | PF7                   | Z      | 98      | XTALI/CLK_IN              | AI     |
| 49      | PF8                   | Z      | 99      | VDD33                     | Z      |
| 50      | PF9                   | Z      | 100     | RBIAS                     | AI     |

Exposed Pad (VSS) must be connected to ground.

# USB7206

## 3.2 Pin Descriptions

This section contains descriptions of the various USB7206 pins. The “\_N” symbol in the signal name indicates that the active, or asserted, state occurs when the signal is at a low voltage level. For example, **RESET\_N** indicates that the reset signal is active low. When “\_N” is not present after the signal name, the signal is asserted when at the high voltage level.

The terms assertion and negation are used exclusively. This is done to avoid confusion when working with a mixture of “active low” and “active high” signal. The term assert, or assertion, indicates that a signal is active, independent of whether that level is represented by a high or low voltage. The term negate, or negation, indicates that a signal is inactive.

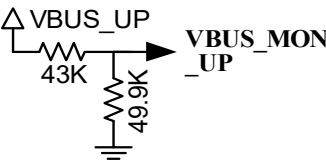
The “If Unused” column provides information on how to terminate pins if they are unused in a customer design.

Buffer type definitions are detailed in [Section 1.2, Buffer Types](#).

**TABLE 3-1: PIN DESCRIPTIONS**

| Name                                     | Symbol                  | Buffer Type | Description  | If Unused                          |
|--|-------------------------|-------------|--|------------------------------------|
| <b>USB 3.2 Gen 2 Interfaces</b>          |                         |             |  |                                    |
| Upstream USB 3.2 Gen 2 TX D+             | <b>USB3UP_TXDP</b>      | I/O-U       | Upstream USB 3.2 Gen 2 Transmit Data Plus.                     | Float                              |
| Upstream USB 3.2 Gen 2 TX D-             | <b>USB3UP_TXDM</b>      | I/O-U       | Upstream USB 3.2 Gen 2 Transmit Data Minus.                    | Float                              |
| Upstream USB 3.2 Gen 2 RX D+             | <b>USB3UP_RXDP</b>      | I/O-U       | Upstream USB 3.2 Gen 2 Receive Data Plus.                      | Weak pull-down to GND              |
| Upstream USB 3.2 Gen 2 RX D-             | <b>USB3UP_RXDM</b>      | I/O-U       | Upstream USB 3.2 Gen 2 Receive Data Minus.                     | Weak pull-down to GND              |
| Downstream Ports 1-5 USB 3.2 Gen 2 TX D+ | <b>USB3DN_TXDP[1:5]</b> | I/O-U       | Downstream SuperSpeed+ Transmit Data Plus, ports 1 through 5.  | Float                              |
| Downstream Ports 1-5 USB 3.2 Gen 2 TX D- | <b>USB3DN_TXDM[1:5]</b> | I/O-U       | Downstream SuperSpeed+ Transmit Data Minus, ports 1 through 5. | Float                              |
| Downstream Ports 1-5 USB 3.2 Gen 2 RX D+ | <b>USB3DN_RXDP[1:5]</b> | I/O-U       | Downstream SuperSpeed+ Receive Data Plus, ports 1 through 5.   | Weak pull-down to GND              |
| Downstream Ports 1-5 USB 3.2 Gen 2 RX D- | <b>USB3DN_RXDM[1:5]</b> | I/O-U       | Downstream SuperSpeed+ Receive Data Minus, ports 1 through 5.  | Weak pull-down to GND              |
| <b>USB 2.0 Interfaces</b>                |                         |             |  |                                    |
| Upstream USB 2.0 D+                      | <b>USB2UP_DP</b>        | I/O-U       | Upstream USB 2.0 Data Plus (D+).                               | Mandatory <a href="#">Note 3-6</a> |
| Upstream USB 2.0 D-                      | <b>USB2UP_DM</b>        | I/O-U       | Upstream USB 2.0 Data Minus (D-).                              | Mandatory <a href="#">Note 3-6</a> |
| Downstream Ports 1-6 USB 2.0 D+          | <b>USB2DN_DP[1:6]</b>   | I/O-U       | Downstream USB 2.0 Ports 1-6 Data Plus (D+).                   | Connect directly to 3.3V           |

**TABLE 3-1: PIN DESCRIPTIONS (CONTINUED)**

| Name                            | Symbol         | Buffer Type | Description   | If Unused  |
|---------------------------------|----------------|-------------|---|--|
| Downstream Ports 1-6 USB 2.0 D- | USB2DN_DM[1:6] | I/O-U       | Downstream USB 2.0 Ports 1-6 Data Minus (D-)  | Connect directly to 3.3V   |
| VBUS Detect                     | VBUS_MON_UP    | IS          | <p>This signal detects the state of the upstream bus power.</p> <p>Externally, VBUS can be as high as 5.25 V, which can be damaging to this pin. The amplitude of VBUS must be reduced by a voltage divider. The recommended voltage divider is shown below.</p>  <p>For self-powered applications with a permanently attached host, this pin must be connected to either 3.3 V or 5.0 V through a resistor divider to provide 3.3 V.</p> <p>In embedded applications, <b>VBUS_MON_UP</b> may be controlled (toggled) when the host desires to renegotiate a connection without requiring a full reset of the device.</p> | Not Recommended. If unused, tie to a 3.3V rail through a 10-100k pull-up resistor. |
| <b>SPI Interface</b>            |                |             |   |  |
| SPI Clock                       | SPI_CLK        | I/O-U       | SPI clock. If the SPI interface is enabled, this pin must be driven low during reset.   | Weak pull-down to GND  |
| SPI Data 3-0                    | SPI_D[3:0]     | I/O-U       | <p>SPI Data 3-0. If the SPI interface is enabled, these signals function as Data 3 through 0.</p> <p><b>Note 3-1</b> <b>SPI_D0</b> operates as the <b>CFG_BC_EN</b> strap if external SPI memory is not used. It must be terminated with the selected strap resistor to 3.3V or GND. <b>SPI_D[1:3]</b> should be connected to GND through a weak pull-down.</p>   | <a href="#">Note 3-1</a>   |
| SPI Chip Enable                 | SPI_CE_N       | I/O12       | <p>Active low SPI chip enable input. If the SPI interface is enabled, this pin must be driven high in powerdown states.</p> <p><b>Note 3-2</b> Operates as the <b>CFG_NON_REM</b> strap if external SPI memory is not used. It must be terminated with the selected strap resistor to 3.3V or GND.</p>  | <a href="#">Note 3-2</a>   |

# USB7206

**TABLE 3-1: PIN DESCRIPTIONS (CONTINUED)**

| Name                                  | Symbol          | Buffer Type | Description  | If Unused                             |
|---------------------------------------|-----------------|-------------|--|---------------------------------------|
| <b>Miscellaneous</b>                  |                 |             |  |                                       |
| Programmable Function Pins            | <b>PF[31:3]</b> | I/O12       | Programmable function pins.<br><b>Note 3-3</b> If unused: depends on the configured pin function. Refer to <a href="#">Section 3.3.4, PF[31:3] Configuration (CFG_STRAP[2:1])</a>  | <a href="#">Note 3-3</a>              |
| Test 1                                | <b>TEST1</b>    | A           | Test 1 pin.<br><br>This signal is used for test purposes and must always be pulled-up to 3.3V via a 10 kΩ resistor.  | Pull to 3.3V through a 10 kΩ resistor |
| Test 2                                | <b>TEST2</b>    | A           | Test 2 pin.<br><br>This signal is used for test purposes and must always be pulled-up to 3.3V via a 10 kΩ resistor.  | Pull to 3.3V through a 10 kΩ resistor |
| Test 3                                | <b>TEST3</b>    | A           | Test 3 pin.<br><br>This signal is used for test purposes and must always be pulled-up to 3.3V via a 10 kΩ resistor.  | Pull to 3.3V through a 10 kΩ resistor |
| Reset Input                           | <b>RESET_N</b>  | IS          | This active low signal is used by the system to reset the device.  | Mandatory<br><a href="#">Note 3-6</a> |
| Bias Resistor                         | <b>RBIAS</b>    | I-R         | A 12.0 kΩ ±1.0% resistor is attached from ground to this pin to set the transceiver's internal bias settings. Place the resistor as close the device as possible with a dedicated, low impedance connection to the ground plane. | Mandatory<br><a href="#">Note 3-6</a> |
| Test                                  | <b>TESTEN</b>   | I/O12       | Test pin.<br><br>This signal is used for test purposes and must always be connected to ground.   | Connect to GND                        |
| Analog Test                           | <b>ATEST</b>    | A           | Analog test pin.<br><br>This signal is used for test purposes and must always be left unconnected.   | Float                                 |
| External 25 MHz Crystal Input         | <b>XTALI</b>    | ICLK        | External 25 MHz crystal input  | Mandatory<br><a href="#">Note 3-6</a> |
| External 25 MHz Reference Clock Input | <b>CLK_IN</b>   | ICLK        | External reference clock input.<br><br>The device may alternatively be driven by a single-ended clock oscillator. When this method is used, XTALO should be left unconnected.  | Mandatory<br><a href="#">Note 3-6</a> |

**TABLE 3-1: PIN DESCRIPTIONS (CONTINUED)**

| Name                                    | Symbol                | Buffer Type | Description  | If Unused   |
|---|-----------------------|-------------|--|---|
| External 25 MHz Crystal Output          | XTALO                 | OCLK        | External 25 MHz crystal output   | Float (only if single-ended clock is connected to CLK_IN) |
| No Connect                              | NC                    | -           | No connect.<br><br>For proper operation, this pin must be left unconnected.  | No connect  |
| <b>Configuration Straps</b>             |                       |             |  |   |
| Port 6-1 D+ Disable Configuration Strap | <u>PRT_DIS_P[6:1]</u> | I           | Port 6-1 D+ Disable Configuration Strap.<br><br>These configuration straps are used in conjunction with the corresponding <u>PRT_DIS_M[6:1]</u> straps to disable the related port (6-1). See <a href="#">Note 3-7</a> .<br><br>Both USB data pins for the corresponding port must be tied to 3.3V to disable the associated downstream port.                        | N/A   |
| Port 6-1 D- Disable Configuration Strap | <u>PRT_DIS_M[6:1]</u> | I           | Port 6-1 D- Disable Configuration Strap.<br><br>These configuration straps are used in conjunction with the corresponding <u>PRT_DIS_P[6:1]</u> straps to disable the related port (6-1). See <a href="#">Note 3-7</a> .<br><br>Both USB data pins for the corresponding port must be tied to 3.3V to disable the associated downstream port.                        | Mandatory <a href="#">Note 3-6</a>                        |
| Non-Removable Ports Configuration Strap | <u>CFG_NON_REM</u>    | I           | Non-Removable Ports Configuration Strap.<br><br>This configuration strap controls the number of reported non-removable ports. See <a href="#">Note 3-7</a> .<br><br><b>Note 3-4</b> Mandatory if external SPI memory is not used for firmware execution. If external SPI memory is used for firmware execution, then configuration strap resistor should be omitted. | <a href="#">Note 3-4</a>                                  |

# USB7206

**TABLE 3-1: PIN DESCRIPTIONS (CONTINUED)**

| Name                                 | Symbol                | Buffer Type | Description  | If Unused                             |
|--------------------------------------|-----------------------|-------------|--|---------------------------------------|
| Battery Charging Configuration Strap | <u>CFG_BC_EN</u>      | I/O12       | Battery Charging Configuration Strap.<br><br>This configuration strap controls the number of BC 1.2 enabled downstream ports. See <a href="#">Note 3-7</a> .<br><br><b>Note 3-5</b> Mandatory if external SPI memory is not used for firmware execution. If external SPI memory is used for firmware execution, then configuration strap resistor should be omitted. | Mandatory<br><a href="#">Note 3-6</a> |
| Device Mode Configuration Straps 3-1 | <u>CFG_STRAP[3:1]</u> | I           | Device Mode Configuration Straps 3-1.<br><br>These configuration straps are used to select the device's mode of operation. See <a href="#">Note 3-7</a> .  | Mandatory<br><a href="#">Note 3-6</a> |
| <b>Power/Ground</b>                  |                       |             |  |                                       |
| +3.3V I/O Power Supply Input         | VDD33                 | P           | +3.3 V power and internal regulator input.   | Mandatory<br><a href="#">Note 3-6</a> |
| Digital Core Power Supply Input      | VCORE                 | P           | Digital core power supply input.   | Mandatory<br><a href="#">Note 3-6</a> |
| Ground                               | VSS                   | P           | Common ground.<br><br>This exposed pad must be connected to the ground plane with a via array.   | Mandatory<br><a href="#">Note 3-6</a> |

**Note 3-6** Configuration strap values are latched on Power-On Reset (POR) and the rising edge of **RESET\_N** (external chip reset). Configuration straps are identified by an underlined symbol name. Signals that function as configuration straps must be augmented with an external resistor when connected to a load. For additional information, refer to [Section 3.3, Configuration Straps and Programmable Functions](#).

**Note 3-7** Pin use is mandatory. Cannot be left unused.

## 3.3 Configuration Straps and Programmable Functions

Configuration straps are multi-function pins that are used during Power-On Reset (POR) or external chip reset (**RESET\_N**) to determine the default configuration of a particular feature. The state of the signal is latched following deassertion of the reset. Configuration straps are identified by an underlined symbol name. This section details the various device configuration straps and associated programmable pin functions.

**Note:** The system designer must guarantee that configuration straps meet the timing requirements specified in [Section 9.6.2, Power-On and Configuration Strap Timing](#) and [Section 9.6.3, Reset and Configuration Strap Timing](#). If configuration straps are not at the correct voltage level prior to being latched, the device may capture incorrect strap values.

### 3.3.1 PORT DISABLE CONFIGURATION (**PRT\_DIS\_P**[6:1] / **PRT\_DIS\_M**[6:1])

The **PRT\_DIS\_P**[6:1] / **PRT\_DIS\_M**[6:1] configuration straps are used in conjunction to disable the related port (6-1)

For **PRT\_DIS\_P<sub>x</sub>** (where *x* is the corresponding port 6-1):

0 = Port *x* D+ Enabled

1 = Port *x* D+ Disabled

For **PRT\_DIS\_M<sub>x</sub>** (where *x* is the corresponding port 6-1):

0 = Port *x* D- Enabled

1 = Port *x* D- Disabled

**Note:** Both **PRT\_DIS\_P<sub>x</sub>** and **PRT\_DIS\_M<sub>x</sub>** (where *x* is the corresponding port) must be tied to 3.3 V to disable the associated downstream port. Disabling the USB 2.0 port will also disable the corresponding USB 3.0 port.

### 3.3.2 NON-REMOVABLE PORT CONFIGURATION (**CFG\_NON\_REM**)

The **CFG\_NON\_REM** configuration strap is used to configure the non-removable port settings of the device to one of six settings. These modes are selected by the configuration of an external resistor on the **CFG\_NON\_REM** pin. The resistor options are a 200 kΩ pull-down, 200 kΩ pull-up, 10 kΩ pull-down, 10 kΩ pull-up, 10 Ω pull-down, and 10 Ω pull-up, as shown in [Table 3-2](#).

**TABLE 3-2: CFG\_NON\_REM RESISTOR ENCODING**

| <b><u>CFG_NON_REM</u> Resistor Value</b> | <b>Setting</b>                       |
|--|--------------------------------------|
| 200 kΩ Pull-Down                         | All ports removable                  |
| 200 kΩ Pull-Up                           | Port 1 non-removable                 |
| 10 kΩ Pull-Down                          | Ports 1, 2 non-removable             |
| 10 kΩ Pull-Up                            | Ports 1, 2, 3 non-removable          |
| 10 Ω Pull-Down                           | Ports 1, 2, 3, 4 non-removable       |
| 10 Ω Pull-Up                             | Ports 1, 2, 3, 4, 5, 6 non-removable |

# USB7206

## 3.3.3 BATTERY CHARGING CONFIGURATION (CFG\_BC\_EN)

The CFG\_BC\_EN configuration strap is used to configure the battery charging port settings of the device to one of six settings. These modes are selected by the configuration of an external resistor on the CFG\_BC\_EN pin. The resistor options are a 200 k $\Omega$  pull-down, 200 k $\Omega$  pull-up, 10 k $\Omega$  pull-down, 10 k $\Omega$  pull-up, 10  $\Omega$  pull-down, and 10  $\Omega$  pull-up, as shown in [Table 3-3](#).

**TABLE 3-3: CFG\_BC\_EN RESISTOR ENCODING**

| <u>CFG_BC_EN</u> Resistor Value | Setting  |
|---------------------------------|--|
| 200 k $\Omega$ Pull-Down        | Battery charging not enable on any port                              |
| 200 k $\Omega$ Pull-Up          | BC1.2 DCP and CDP battery charging enabled on Port 1                 |
| 10 k $\Omega$ Pull-Down         | BC1.2 DCP and CDP battery charging enabled on Ports 1, 2             |
| 10 k $\Omega$ Pull-Up           | BC1.2 DCP and CDP battery charging enabled on Ports 1, 2, 3          |
| 10 $\Omega$ Pull-Down           | BC1.2 DCP and CDP battery charging enabled on Ports 1, 2, 3, 4       |
| 10 $\Omega$ Pull-Up             | BC1.2 DCP and CDP battery charging enabled on Ports 1, 2, 3, 4, 5, 6 |

## 3.3.4 PF[31:3] CONFIGURATION (CFG\_STRAP[2:1])

The USB7206 provides 29 programmable function pins (PF[31:3]). These pins can only be configured to 1 predefined configuration via the CFG\_STRAP[2:1] pins. This configuration is selected via external resistors on the CFG\_STRAP[2:1] pins, as detailed in [Table 3-4](#). Resistor values and combinations not detailed in [Table 3-4](#) are reserved and should not be used.

**Note:** CFG\_STRAP3 is not used and must be pulled-down to ground via a 200 k $\Omega$  resistor.

**TABLE 3-4: CFG\_STRAP[2:1] RESISTOR ENCODING**

| Mode            | <u>CFG_STRAP2</u><br>Resistor Value | <u>CFG_STRAP1</u><br>Resistor Value |
|-----------------|-------------------------------------|-------------------------------------|
| Configuration 3 | 200 k $\Omega$ Pull-Down            | 10 k $\Omega$ Pull-Down             |

**Note:** Configurations 1 and 2 are not used in the USB7206.

A summary of the configuration pin assignments is provided in [Table 3-5](#). For details on behavior of each programmable function, refer to [Table 3-6](#).



**TABLE 3-5: PF[31:3] FUNCTION ASSIGNMENT**

| Pin  | Configuration 3 |
|------|-----------------|
| PF3  | I2S_SDI         |
| PF4  | I2S_SDO         |
| PF5  | I2S_SCK         |
| PF6  | I2S_LRCK        |
| PF7  | I2S_MCLK        |
| PF8  | NC              |
| PF9  | NC              |
| PF10 | PRT_CTL3_U3     |
| PF11 | PRT_CTL4_U3     |
| PF12 | PRT_CTL5_U3     |
| PF13 | PRT_CTL5        |
| PF14 | PRT_CTL4        |
| PF15 | PRT_CTL3        |
| PF16 | PRT_CTL2        |
| PF17 | PRT_CTL1        |
| PF18 | MSTR_I2C_CLK    |
| PF19 | MIC_DET         |
| PF20 | SPI_CE_N        |
| PF21 | SPI_CLK         |
| PF22 | SPI_D0          |
| PF23 | SPI_D1          |
| PF24 | SPI_D2          |
| PF25 | SPI_D3          |
| PF26 | SLV_I2C_CLK     |
| PF27 | SLV_I2C_DATA    |
| PF28 | PRT_CTL6        |
| PF29 | (Note 3-1)      |
| PF30 | VBUS_DET        |
| PF31 | MSTR_I2C_DATA   |

**Note 3-1** The default function is not used in the USB7206.

**Note:** The default PF<sub>x</sub> pin functions can be overridden with additional configuration by modification of the pin mux registers. These changes can be made during the SMBus configuration stage, by programming to OTP memory, or during runtime (after hub has attached and enumerated) by register writes via the SMBus slave interface or USB commands to the internal Hub Feature Controller Device.

# USB7206

**TABLE 3-6: PROGRAMMABLE FUNCTIONS DESCRIPTIONS**

| Function                                     | Buffer Type | Description   | If Unused             |
|--|-------------|---|-----------------------|
| <b>Master SMBus/I<sup>2</sup>C Interface</b> |             |   |                       |
| MSTR_I2C_CLK                                 | I/O12       | Bridging Master SMBus/I <sup>2</sup> C controller clock (SMBus/I <sup>2</sup> C controller 1). External 1k-10k pull-up resistors to 3.3V are required if the I <sup>2</sup> C Master Interface is to be used. | Weak pull-down to GND |
| MSTR_I2C_DATA                                | I/O12       | Bridging Master SMBus/I <sup>2</sup> C controller data (SMBus/I <sup>2</sup> C controller 1). External 1k-10k pull-up resistors to 3.3V are required if the I <sup>2</sup> C Master Interface is to be used.  | Weak pull-down to GND |
| <b>Slave SMBus/I<sup>2</sup>C Interface</b>  |             |   |                       |
| SLV_I2C_CLK                                  | I/O12       | Slave SMBus/I <sup>2</sup> C controller clock (SMBus/I <sup>2</sup> C controller 2). External 1k-10k pull-up resistors to 3.3V are required if the I <sup>2</sup> C Slave Interface is to be used.            | Weak pull-down to GND |
| SLV_I2C_DATA                                 | I/O12       | Slave SMBus/I <sup>2</sup> C controller data (SMBus/I <sup>2</sup> C controller 2). External 1k-10k pull-up resistors to 3.3V are required if the I <sup>2</sup> C Slave Interface is to be used.             | Weak pull-down to GND |
| <b>I<sup>2</sup>S Interface</b>              |             |   |                       |
| I2S_SDI                                      | I           | I <sup>2</sup> S Serial Data In   | Weak pull-down to GND |
| I2S_SDO                                      | O12         | I <sup>2</sup> S Serial Data Out  | Weak pull-down to GND |
| I2S_SCK                                      | O12         | I <sup>2</sup> S Continuous Serial Clock  | Weak pull-down to GND |
| I2S_LRCK                                     | O12         | I <sup>2</sup> S Word Select / Left-Right Clock   | Weak pull-down to GND |
| I2S_MCLK                                     | O12         | I <sup>2</sup> S Master Clock   | Weak pull-down to GND |
| MIC_DET                                      | I           | I <sup>2</sup> S Microphone Plug Detect<br><br>0 = No microphone plugged into the audio jack<br>1 = Microphone plugged into the audio jack  | Weak pull-down to GND |

**TABLE 3-6: PROGRAMMABLE FUNCTIONS DESCRIPTIONS (CONTINUED)**

| Function             | Buffer Type | Description  | If Unused        |
|----------------------|-------------|--|------------------|
| <b>Miscellaneous</b> |             |  |                  |
| PRT_CTL6             | I/O12 (PU)  | <p>Port 6 power enable / overcurrent sense</p> <p>When the downstream port is enabled, this pin is set as an input with an internal pull-up resistor applied. The internal pull-up enables power to the downstream port while the pin monitors for an active low overcurrent signal assertion from an external current monitor on USB port 6.</p> <p>This pin will change to an output and be driven low when the port is disabled by configuration or by the host control.</p> <p><b>Note:</b> This signal controls both the USB 2.0 and USB 3.2 portions of the port.</p> <p><b>Note 3-1</b> This pin can be left unused only if Port 6 is disabled via strap/OTP/SMBus/SPI configuration.</p>   | Float (Note 3-1) |
| PRT_CTL5             | I/O12 (PU)  | <p>Port 5 power enable / overcurrent sense</p> <p>When the downstream port is enabled, this pin is set as an input with an internal pull-up resistor applied. The internal pull-up enables power to the downstream port while the pin monitors for an active low overcurrent signal assertion from an external current monitor on USB port 5.</p> <p>This pin will change to an output and be driven low when the port is disabled by configuration or by the host control.</p> <p><b>Note:</b> When PortSplit is disabled, this signal controls both the USB 2.0 and USB 3.2 portions of the port. When PortSplit is enabled, this signal controls the USB 2.0 portion of the port only.</p> <p><b>Note 3-2</b> This pin can be left unused only if Port 5 is disabled via strap/OTP/SMBus/SPI configuration.</p> | Float (Note 3-2) |
| PRT_CTL4             | I/O12 (PU)  | <p>Port 4 power enable / overcurrent sense</p> <p>When the downstream port is enabled, this pin is set as an input with an internal pull-up resistor applied. The internal pull-up enables power to the downstream port while the pin monitors for an active low overcurrent signal assertion from an external current monitor on USB port 4.</p> <p>This pin will change to an output and be driven low when the port is disabled by configuration or by the host control.</p> <p><b>Note:</b> When PortSplit is disabled, this signal controls both the USB 2.0 and USB 3.2 portions of the port. When PortSplit is enabled, this signal controls the USB 2.0 portion of the port only.</p> <p><b>Note 3-3</b> This pin can be left unused only if Port 4 is disabled via strap/OTP/SMBus/SPI configuration.</p> | Float (Note 3-3) |

# USB7206

**TABLE 3-6: PROGRAMMABLE FUNCTIONS DESCRIPTIONS (CONTINUED)**

| Function | Buffer Type | Description  | If Unused           |
|----------|-------------|--|---------------------|
| PRT_CTL3 | I/O12 (PU)  | <p>Port 3 power enable / overcurrent sense</p> <p>When the downstream port is enabled, this pin is set as an input with an internal pull-up resistor applied. The internal pull-up enables power to the downstream port while the pin monitors for an active low overcurrent signal assertion from an external current monitor on USB port 3.</p> <p>This pin will change to an output and be driven low when the port is disabled by configuration or by the host control.</p> <p><b>Note:</b> When PortSplit is disabled, this signal controls both the USB 2.0 and USB 3.2 portions of the port. When PortSplit is enabled, this signal controls the USB 2.0 portion of the port only.</p> <p><b>Note 3-4</b> This pin can be left unused only if Port 3 is disabled via strap/OTP/SMBus/SPI configuration.</p> | Float<br>(Note 3-4) |
| PRT_CTL2 | I/O12 (PU)  | <p>Port 2 power enable / overcurrent sense</p> <p>When the downstream port is enabled, this pin is set as an input with an internal pull-up resistor applied. The internal pull-up enables power to the downstream port while the pin monitors for an active low overcurrent signal assertion from an external current monitor on USB port 2.</p> <p>This pin will change to an output and be driven low when the port is disabled by configuration or by the host control.</p> <p><b>Note:</b> When PortSplit is disabled, this signal controls both the USB 2.0 and USB 3.2 portions of the port. When PortSplit is enabled, this signal controls the USB 2.0 portion of the port only.</p> <p><b>Note 3-5</b> This pin can be left unused only if Port 2 is disabled via strap/OTP/SMBus/SPI configuration.</p> | Float<br>(Note 3-1) |
| PRT_CTL1 | I/O12 (PU)  | <p>Port 1 power enable / overcurrent sense</p> <p>When the downstream port is enabled, this pin is set as an input with an internal pull-up resistor applied. The internal pull-up enables power to the downstream port while the pin monitors for an active low overcurrent signal assertion from an external current monitor on USB port 1.</p> <p>This pin will change to an output and be driven low when the port is disabled by configuration or by the host control.</p> <p><b>Note:</b> When PortSplit is disabled, this signal controls both the USB 2.0 and USB 3.2 portions of the port. When PortSplit is enabled, this signal controls the USB 2.0 portion of the port only.</p> <p><b>Note 3-6</b> This pin can be left unused only if Port 1 is disabled via strap/OTP/SMBus/SPI configuration.</p> | Float<br>(Note 3-1) |

**TABLE 3-6: PROGRAMMABLE FUNCTIONS DESCRIPTIONS (CONTINUED)**

| Function    | Buffer Type | Description  | If Unused |
|-------------|-------------|--|-----------|
| PRT_CTL5_U3 | O12         | Port 5 USB 3.2 PortSplit power enable<br><br>This signal is an active high control signal used to enable to the USB 3.2 portion of the downstream port 5 when PortSplit is enabled. When PortSplit is disabled, this pin is not used.<br><br><b>Note:</b> This signal should only be used to control an embedded USB 3.2 device. | Float     |
| PRT_CTL4_U3 | O12         | Port 4 USB 3.2 PortSplit power enable<br><br>This signal is an active high control signal used to enable to the USB 3.2 portion of the downstream port 4 when PortSplit is enabled. When PortSplit is disabled, this pin is not used.<br><br><b>Note:</b> This signal should only be used to control an embedded USB 3.2 device. | Float     |
| PRT_CTL3_U3 | O12         | Port 3 USB 3.2 PortSplit power enable<br><br>This signal is an active high control signal used to enable to the USB 3.2 portion of the downstream port 3 when PortSplit is enabled. When PortSplit is disabled, this pin is not used.<br><br><b>Note:</b> This signal should only be used to control an embedded USB 3.2 device. | Float     |

### 3.4 Physical and Logical Port Mapping

The USB72xx family of devices are based upon a common architecture, but all have different modifications and/or pin bond outs to achieve the various device configurations. The base chip is composed of a total of 6 USB3 PHYs and 7 USB2 PHYs. These PHYs are physically arranged on the chip in a certain way, which is referred to as the PHYSICAL port mapping.

The actual port numbering is remapped by default in different ways on each device in the family. This changes the way that the ports are numbered from the USB host's perspective. This is referred to as LOGICAL mapping.

The various configuration options available for these devices may, at times, be with respect to PHYSICAL mapping or LOGICAL mapping. Each individual configuration option which has a PHYSICAL or LOGICAL dependency is declared as such within the register description.

The PHYSICAL vs. LOGICAL mapping is described for all port related pins in [Table 3-7](#). A system design in schematics and layout is generally performed using the pinout in [Section 3.1, Pin Assignments](#), which is assigned by the default LOGICAL mapping. Hence, it may be necessary to cross reference the PHYSICAL vs. LOGICAL look up tables when determining the hub configuration.

**Note:** The MPLAB Connect tool makes configuration simple; the settings can be selected by the user with respect to the LOGICAL port numbering. The tool handles the necessary linking to the PHYSICAL port settings. Refer to [Section 6.0, Device Configuration](#) for additional information.

# USB7206

**TABLE 3-7: USB7206 PHYSICAL VS. LOGICAL PORT MAPPING**

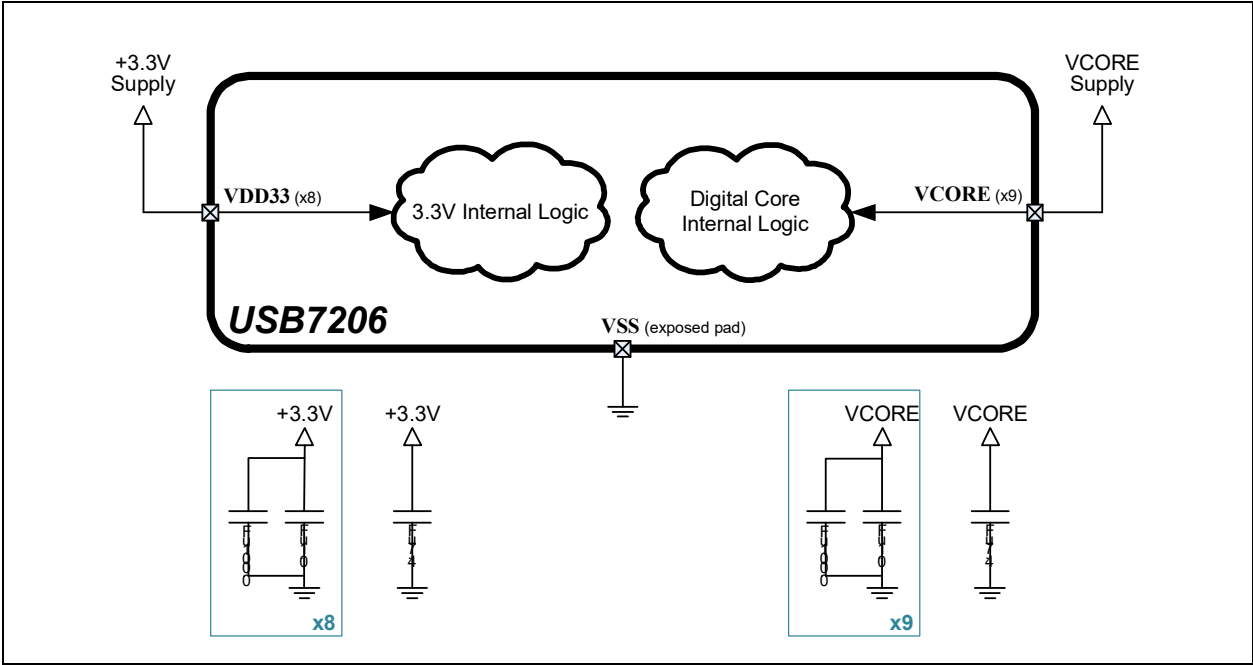
| Device Pin | Pin Name (as in datasheet) | LOGICAL PORT NUMBER |   |   |   |   |   | PHYSICAL PORT NUMBER |   |   |   |   |   |   |   |
|------------|----------------------------|---------------------|---|---|---|---|---|----------------------|---|---|---|---|---|---|---|
|            |                            | 0                   | 1 | 2 | 3 | 4 | 5 | 6                    | 0 | 1 | 2 | 3 | 4 | 5 | 6 |
| 5          | USB2DN_DP1                 |                     | X |   |   |   |   |                      | X |   |   |   |   |   |   |
| 6          | USB2DN_DM1                 |                     | X |   |   |   |   |                      | X |   |   |   |   |   |   |
| 7          | USB3DN_TXDP1               |                     | X |   |   |   |   |                      | X |   |   |   |   |   |   |
| 8          | USB3DN_TXDM1               |                     | X |   |   |   |   |                      | X |   |   |   |   |   |   |
| 10         | USB3DN_RXDP1               |                     | X |   |   |   |   |                      | X |   |   |   |   |   |   |
| 11         | USB3DN_RXDM1               |                     | X |   |   |   |   |                      | X |   |   |   |   |   |   |
| 14         | USB2DN_DP2                 |                     |   | X |   |   |   |                      |   | X |   |   |   |   |   |
| 15         | USB2DN_DM2                 |                     |   | X |   |   |   |                      |   | X |   |   |   |   |   |
| 16         | USB3DN_TXDP2               |                     |   | X |   |   |   |                      |   | X |   |   |   |   |   |
| 17         | USB3DN_TXDM2               |                     |   | X |   |   |   |                      |   | X |   |   |   |   |   |
| 19         | USB3DN_RXDP2               |                     |   | X |   |   |   |                      |   | X |   |   |   |   |   |
| 20         | USB3DN_RXDM2               |                     |   | X |   |   |   |                      |   | X |   |   |   |   |   |
| 27         | USB2DN_DP3                 |                     |   |   | X |   |   |                      |   |   | X |   |   |   |   |
| 28         | USB2DN_DM3                 |                     |   |   | X |   |   |                      |   |   | X |   |   |   |   |
| 29         | USB3DN_TXDP3               |                     |   |   | X |   |   |                      |   |   | X |   |   |   |   |
| 30         | USB3DN_TXDM3               |                     |   |   | X |   |   |                      |   |   | X |   |   |   |   |
| 32         | USB3DN_RXDP3               |                     |   |   | X |   |   |                      |   |   | X |   |   |   |   |
| 33         | USB3DN_RXDM3               |                     |   |   | X |   |   |                      |   |   | X |   |   |   |   |
| 34         | USB2DN_DP4                 |                     |   |   |   | X |   |                      |   |   |   | X |   |   |   |
| 35         | USB2DN_DM4                 |                     |   |   |   | X |   |                      |   |   |   | X |   |   |   |
| 36         | USB3DN_TXDP4               |                     |   |   |   | X |   |                      |   |   |   | X |   |   |   |
| 37         | USB3DN_TXDM4               |                     |   |   |   | X |   |                      |   |   |   | X |   |   |   |
| 39         | USB3DN_RXDP4               |                     |   |   |   | X |   |                      |   |   |   | X |   |   |   |
| 40         | USB3DN_RXDM4               |                     |   |   |   | X |   |                      |   |   |   | X |   |   |   |
| 41         | USB2DN_DM6                 |                     |   |   |   |   |   | X                    |   |   |   |   |   |   | X |
| 42         | USB2DN_DP6                 |                     |   |   |   |   |   | X                    |   |   |   |   |   |   | X |
| 81         | USB2DN_DP5                 |                     |   |   |   |   | X |                      |   |   |   |   |   | X |   |
| 82         | USB2DN_DM5                 |                     |   |   |   |   | X |                      |   |   |   |   |   | X |   |
| 83         | USB3DN_TXDP5               |                     |   |   |   |   | X |                      |   |   |   |   |   | X |   |
| 84         | USB3DN_TXDM5               |                     |   |   |   |   | X |                      |   |   |   |   |   | X |   |
| 86         | USB3DN_RXDP5               |                     |   |   |   |   | X |                      |   |   |   |   |   | X |   |
| 87         | USB3DN_RXDM5               |                     |   |   |   |   | X |                      |   |   |   |   |   | X |   |
| 89         | USB2UP_DP                  | X                   |   |   |   |   |   |                      | X |   |   |   |   |   |   |
| 90         | USB2UP_DM                  | X                   |   |   |   |   |   |                      | X |   |   |   |   |   |   |
| 91         | USB3UP_TXDP                | X                   |   |   |   |   |   |                      | X |   |   |   |   |   |   |
| 92         | USB3UP_TXDM                | X                   |   |   |   |   |   |                      | X |   |   |   |   |   |   |
| 94         | USB3UP_RXDP                | X                   |   |   |   |   |   |                      | X |   |   |   |   |   |   |
| 95         | USB3UP_RXDM                | X                   |   |   |   |   |   |                      | X |   |   |   |   |   |   |

4.0 DEVICE CONNECTIONS

4.1 Power Connections

Figure 4-1 illustrates the device power connections.

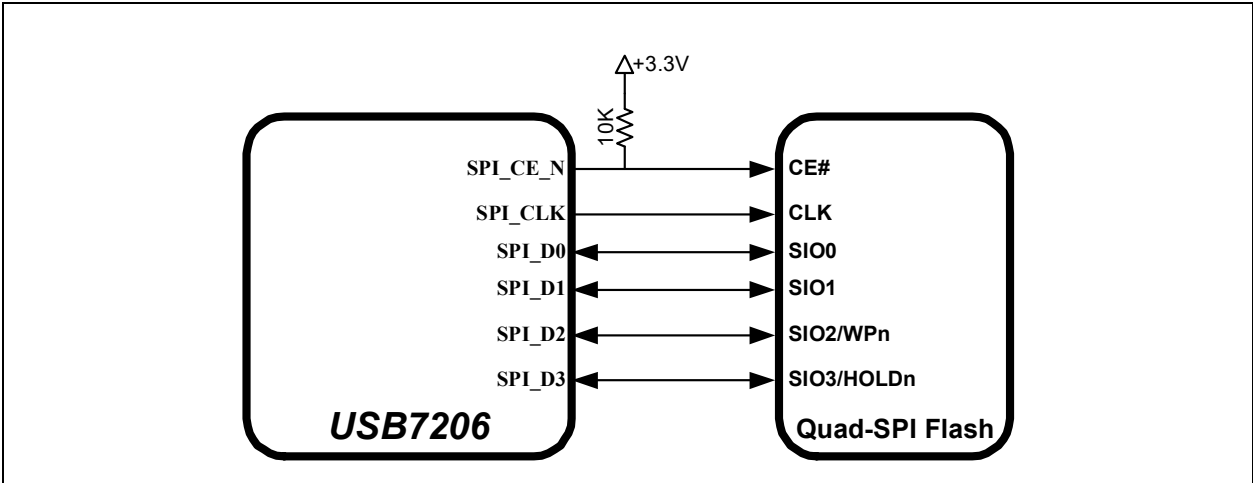
FIGURE 4-1: POWER CONNECTIONS



4.2 SPI Flash Connections

Figure 4-2 illustrates the Quad-SPI flash connections.

FIGURE 4-2: QUAD-SPI FLASH CONNECTIONS

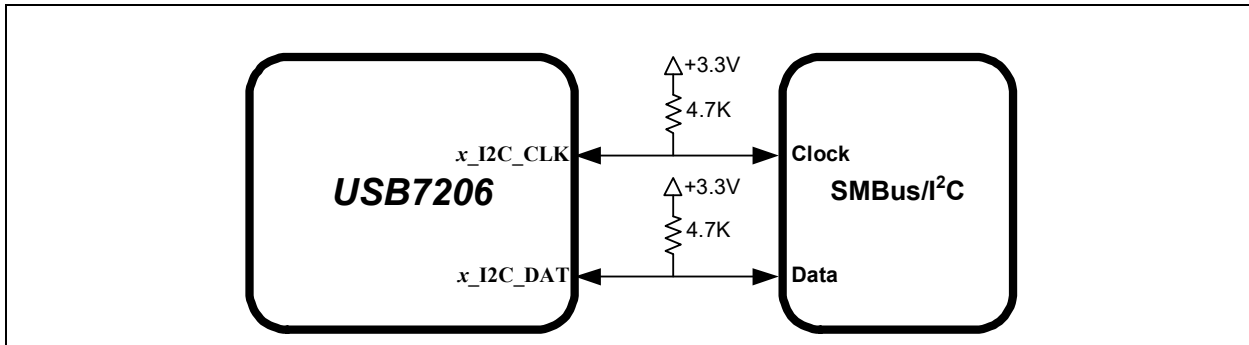


# USB7206

## 4.3 SMBus/I<sup>2</sup>C Connections

Figure 4-3 illustrates the SMBus/I<sup>2</sup>C connections.

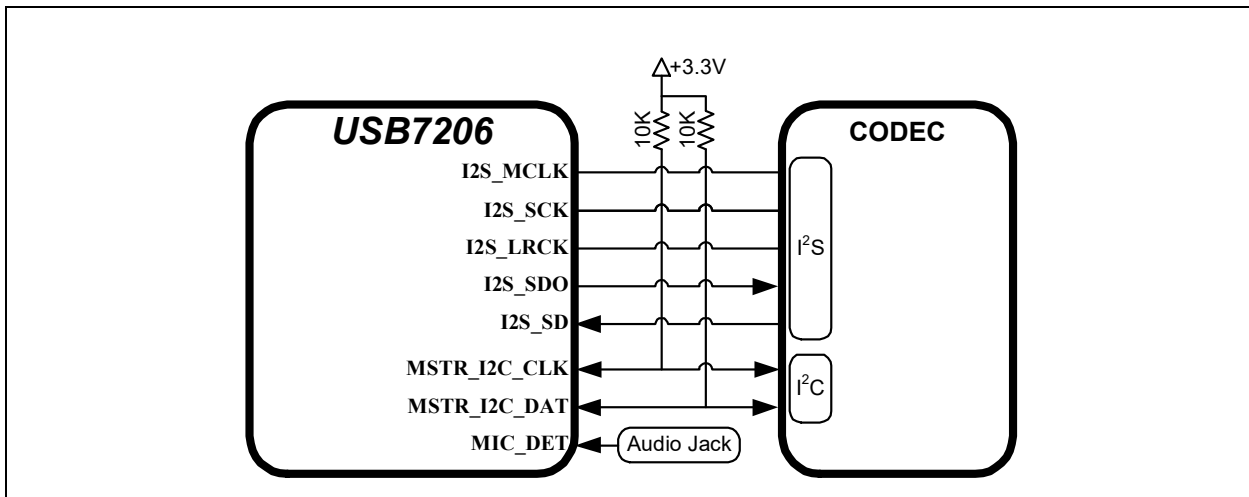
FIGURE 4-3: SMBUS/I<sup>2</sup>C CONNECTIONS



## 4.4 I<sup>2</sup>S Connections

Figure 4-4 illustrates the I<sup>2</sup>S connections.

FIGURE 4-4: I<sup>2</sup>S CONNECTIONS





## 5.0 MODES OF OPERATION

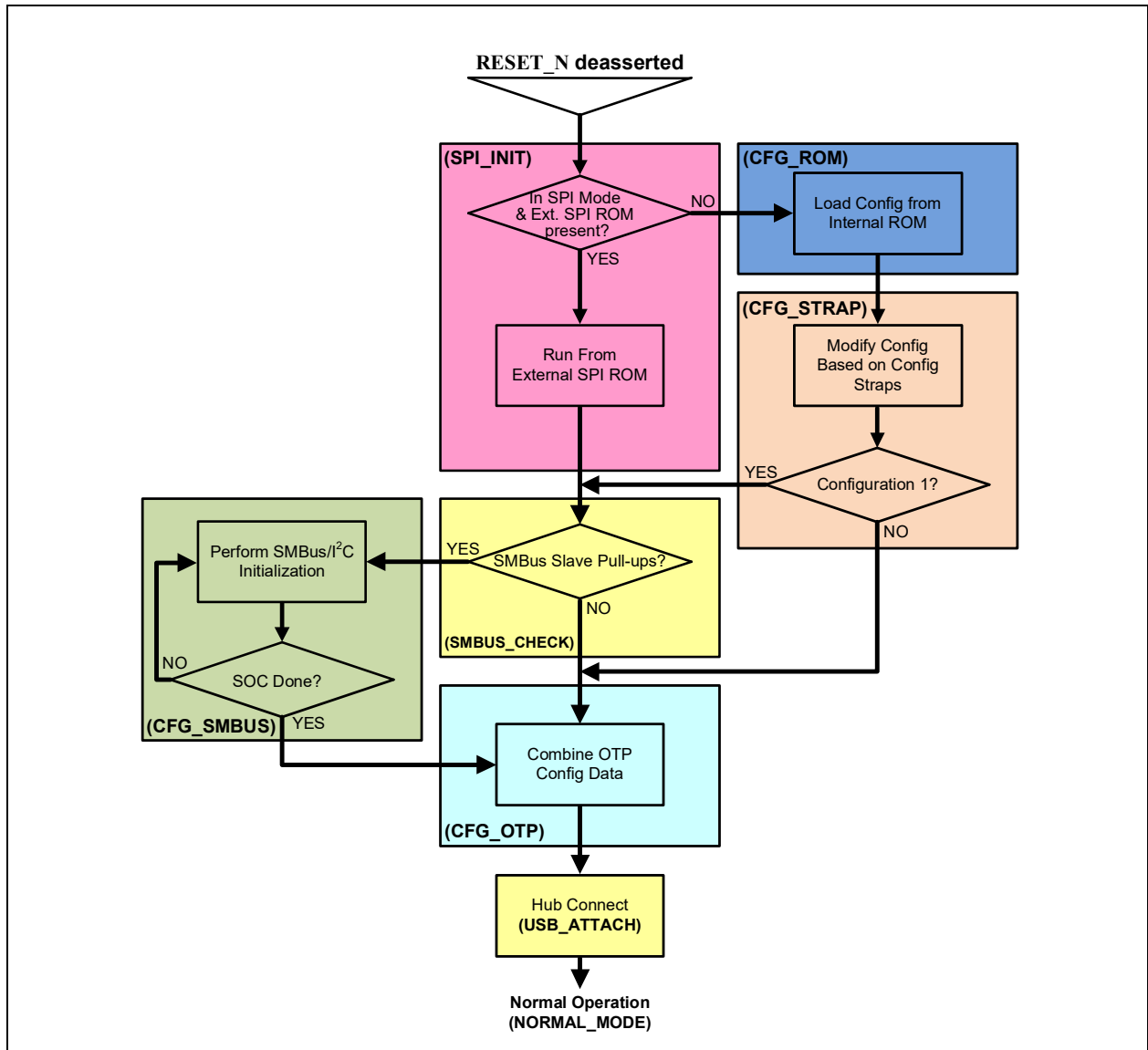
The device provides two main modes of operation: Standby Mode and Hub Mode. These modes are controlled via the **RESET\_N** pin, as shown in [Table 5-1](#).

**TABLE 5-1: MODES OF OPERATION**

| RESET_N Input | Summary   |
|---------------|---|
| <b>0</b>      | <b>Standby Mode:</b> This is the lowest power mode of the device. No functions are active other than monitoring the <b>RESET_N</b> input. All port interfaces are high impedance and the PLL is halted. Refer to <a href="#">Section 8.9, Resets</a> for additional information on <b>RESET_N</b> . |
| <b>1</b>      | <b>Hub (Normal) Mode:</b> The device operates as a configurable USB hub. This mode has various sub-modes of operation, as detailed in <a href="#">Figure 5-1</a> . Power consumption is based on the number of active ports, their speed, and amount of data received.                              |

The flowchart in [Figure 5-1](#) details the modes of operation and details how the device traverses through the Hub Mode stages (shown in bold). The remaining sub-sections provide more detail on each stage of operation.

**FIGURE 5-1: HUB MODE FLOWCHART**



## 5.1 Boot Sequence

### 5.1.1 STANDBY MODE

If the **RESET\_N** pin is asserted, the hub will be in Standby Mode. This mode provides a very low power state for maximum power efficiency when no signaling is required. This is the lowest power state. In Standby Mode all downstream ports are disabled, the USB data pins are held in a high-impedance state, all transactions immediately terminate (no states saved), all internal registers return to their default state, the PLL is halted, and core logic is powered down in order to minimize power consumption. Because core logic is powered off, no configuration settings are retained in this mode and must be re-initialized after **RESET\_N** is negated high.

### 5.1.2 SPI INITIALIZATION STAGE (SPI\_INIT)

The first stage, the initialization stage, occurs on the deassertion of **RESET\_N**. In this stage, the internal logic is reset, the PLL locks if a valid clock is supplied, and the configuration registers are initialized to their default state. The internal firmware then checks for an external SPI ROM. The firmware looks for an external SPI flash device that contains a valid signature of "2DFU" (device firmware upgrade) beginning at address 0x3FFFA. If a valid signature is found, then the external SPI ROM is enabled and the code execution begins at address 0x0000 in the external SPI device. If a valid signature is not found, then execution continues from internal ROM (CFG\_ROM stage).

The required SPI ROM must be a minimum of 1 Mbit, and 60 MHz or faster. Both 1, 2, and 4-bit SPI operation is supported. For optimum throughput, a 2-bit SPI ROM is recommended. Both mode 0 and mode 3 SPI ROMs are also supported.

If the system is not strapped for SPI Mode, code execution will continue from internal ROM (CFG\_ROM stage).

### 5.1.3 CONFIGURATION FROM INTERNAL ROM STAGE (CFG\_ROM)

In this stage, the internal firmware loads the default values from the internal ROM. Most of the hub configuration registers, USB descriptors, electrical settings, etc. will be initialized in this state.

### 5.1.4 CONFIGURATION STRAP READ STAGE (CFG\_STRAP)

In this stage, the firmware reads the following configuration straps to override the default values:

- **CFG\_STRAP[3:1]**
- **PRT\_DIS\_P[6:1]**
- **PRT\_DIS\_M[6:1]**
- **CFG\_NON\_REM**
- **CFG\_BC\_EN**

If the **CFG\_STRAP[3:1]** pins are set to Configuration 1, the device will move to the SMBUS\_CHECK stage, otherwise it will move to the CFG\_OTP stage. Refer to [Section 3.3, Configuration Straps and Programmable Functions](#) for information on usage of the various device configuration straps.

### 5.1.5 SMBUS CHECK STAGE (SMBUS\_CHECK)

Based on the **PF[31:3]** configuration selected (refer to [Section 3.3.4, PF\[31:3\] Configuration \(CFG\\_STRAP\[2:1\]\)](#)), the firmware will check for the presence of external pull up resistors on the SMBus slave programmable function pins. If 10K pull-ups are detected on both pins, the device will be configured as an SMBus slave, and the next state will be CFG\_SMBUS. If a pull-up is not detected in either of the pins, the next state is CFG\_OTP.

### 5.1.6 SMBUS CONFIGURATION STAGE (CFG\_SMBUS)

In this stage, the external SMBus master can modify any of the default configuration settings specified in the integrated ROM, such as USB device descriptors, port electrical settings, and control features such as downstream battery charging.

There is no time limit on this mode. In this stage the firmware will wait indefinitely for the SMBus/I<sup>2</sup>C configuration. The external SMBus master writes to register 0xFF to end the configuration in legacy mode. In non-legacy mode, the SMBus command USB\_ATTACH (opcode 0xAA55) or USB\_ATTACH\_WITH\_SMBUS (opcode 0xAA56) will finish the configuration.

## 5.1.7 OTP CONFIGURATION STAGE (CFG\_OTP)

Once the SOC has indicated that it is done with configuration, all configuration data is combined in this stage. The default data, the SOC configuration data, and the OTP data are all combined in the firmware and the device is programmed.

|   |
|---|
| <b>Note:</b> If the same register is modified in both CFG_SMBUS and CFG_OTP stages, the value from CFG_OTP will overwrite any value written during CFG_SMBUS. |
|---|

## 5.1.8 HUB CONNECT STAGE (USB\_ATTACH)

Once the hub registers are updated through default values, SMBus master, and OTP, the device firmware will enable attaching the USB host by setting the USB\_ATTACH bit in the HUB\_CMD\_STAT register (for USB 2.0) and the USB3\_HUB\_ENABLE bit (for USB 3.2). The device will remain in the Hub Connect stage indefinitely.

## 5.1.9 NORMAL MODE (NORMAL\_MODE)

Lastly, the hub enters Normal Mode of operation. In this stage full USB operation is supported under control of the USB Host on the upstream port. The device will remain in the normal mode until the operating mode is changed by the system.

If **RESET\_N** is asserted low, then Standby Mode is entered. The device may then be placed into any of the designated hub stages. Asserting a soft disconnect on the upstream port will cause the hub to return to the Hub Connect stage until the soft disconnect is negated.

# USB7206

---

## 6.0 DEVICE CONFIGURATION

The device supports a large number of features (some mutually exclusive), and must be configured in order to correctly function when attached to a USB host controller. Microchip provides a comprehensive software programming tool, MPLAB Connect Configurator (formerly ProTouch2), for OTP configuration of various USB7206 functions and registers. All configuration is to be performed via the MPLAB Connect Configurator programming tool. For additional information on this tool, refer to the MPLAB Connect Configurator programming tool product page at <http://www.microchip.com/design-centers/usb/mplab-connect-configurator>.

Additional information on configuring the USB7206 is also provided in the “*Configuration of the USB7202/USB725x*” application note, which contains details on the hub operational mode, SOC configuration stage, OTP configuration, USB configuration, and configuration register definitions. This application note, along with additional USB7206 resources, can be found on the Microchip USB7206 product page at [www.microchip.com/USB7206](http://www.microchip.com/USB7206).

**Note:** Device configuration straps and programmable pins are detailed in [Section 3.3, Configuration Straps and Programmable Functions](#).  
Refer to [Section 7.0, Device Interfaces](#) for detailed information on each device interface.

## 7.0 DEVICE INTERFACES

The USB7206 provides multiple interfaces for configuration, external memory access, etc.. This section details the various device interfaces:

- [SPI/SQI Master Interface](#)
- [SMBus/I2C Master/Slave Interfaces](#)
- [I2S Interface](#)

**Note:** For details on how to enable each interface, refer to [Section 3.3, Configuration Straps and Programmable Functions](#).

For information on device connections, refer to [Section 4.0, Device Connections](#). For information on device configuration, refer to [Section 6.0, Device Configuration](#).

Microchip provides a comprehensive software programming tool, MPLAB Connect Configurator (formerly ProTouch2), for configuring the USB7206 functions, registers and OTP memory. All configuration is to be performed via the MPLAB Connect Configurator programming tool. For additional information on this tool, refer to the MPLAB Connect Configurator programming tool product page at <http://www.microchip.com/design-centers/usb/mplab-connect-configurator>.

### 7.1 SPI/SQI Master Interface

The SPI/SQI controller has two basic modes of operation: execution of an external hub firmware image, or the USB to SPI bridge. On power up, the firmware looks for an external SPI flash device that contains a valid signature of 2DFU (device firmware upgrade) beginning at address 0x3FFFA. If a valid signature is found, then the external ROM mode is enabled and the code execution begins at address 0x0000 in the external SPI device. If a valid signature is not found, then execution continues from internal ROM and the SPI interface can be used as a USB to SPI bridge.

The entire firmware image is then executed in place entirely from the SPI interface. The SPI interface will remain continuously active while the hub is in the runtime state. The hub configuration options are also loaded entirely out of the SPI memory device. Both the internal ROM firmware image and internal OTP memory are completely ignored while executing the firmware and configuration from the external SPI memory.

The second mode of operation is the USB to SPI bridge operation. Additional details on this feature can be found in [Section 8.7, USB to SPI Bridging](#).

[Table 7-1](#) details how the associated pins are mapped in SPI vs. SQI mode

**TABLE 7-1: SPI/SQI PIN USAGE**

| SPI Mode | SQI Mode | Description                      |
|----------|----------|----------------------------------|
| SPI_CE_N | SQI_CE_N | SPI/SQI Chip Enable (Active Low) |
| SPI_CLK  | SQI_CLK  | SPI/SQI Clock                    |
| SPI_D0   | SQI_D0   | SPI Data Out; SQI Data I/O 0     |
| SPI_D1   | SQI_D1   | SPI Data In; SQI Data I/O 1      |
| -        | SQI_D2   | SQI Data I/O 2                   |
| -        | SQI_D3   | SQI Data I/O 3                   |

**Note:** For SPI/SQI master timing information, refer to [Section 9.6.10, SPI/SQI Master Timing](#).

# USB7206

## 7.2 SMBus/I<sup>2</sup>C Master/Slave Interfaces

The device provides two independent SMBus/I<sup>2</sup>C controllers (Slave, and Master) which can be used to access internal device run time registers or program the internal OTP memory. The device contains two 128 byte buffers to enable simultaneous master/slave operation and to minimize firmware overhead in processed I<sup>2</sup>C packets. The I<sup>2</sup>C interfaces support 100KHz Standard-mode (Sm) and 400KHz Fast Mode (Fm) operation.

The SMBus/I<sup>2</sup>C interfaces are assigned to programmable pins (PF<sub>x</sub>). Refer to [Section 3.3.4, PF\[31:3\] Configuration \(CFG\\_STRAP\[2:1\]\)](#) for additional information.

**Note:** For SMBus/I<sup>2</sup>C timing information, refer to [Section 9.6.7, SMBus Timing](#) and [Section 9.6.8, I2C Timing](#).

## 7.3 I<sup>2</sup>S Interface

The device provides an integrated I<sup>2</sup>S interface to facilitate the connection of digital audio devices. The I<sup>2</sup>S interface conforms to the voltage, power, and timing characteristics/specifications as set forth in the *I<sup>2</sup>S-Bus Specification*, and consists of the following signals:

- **I2S\_SDI:** Serial Data Input
- **I2S\_SDO:** Serial Data Output
- **I2S\_SCK:** Serial Clock
- **I2S\_LRCK:** Left/Right Clock (SS/FSYNC)
- **I2S\_MCLK:** Master Clock
- **MIC\_DET:** Microphone Plug Detect

Each audio connection is half-duplex, so **I2S\_SDO** exists only on the transmit side and **I2S\_SDI** exists only on the receive side of the interface. Some codecs refer to the Serial Clock (**I2S\_SCK**) as Baud/Bit Clock (BCLK). Also, the Left/Right Clock is commonly referred to as LRC or LRCK. The I<sup>2</sup>S and other audio protocols refer to LRC as Word Select (WS).

The following codec is supported by default:

- Analog Devices ADAU1961 (24-bit 96KHz)

The I<sup>2</sup>S interface is assigned to programmable pins (PF<sub>x</sub>). Refer to [Section 3.3.4, PF\[31:3\] Configuration \(CFG\\_STRAP\[2:1\]\)](#) for additional information.

**Note:** For I<sup>2</sup>S timing information, refer to [Section 9.6.9, I2S Timing](#). For detailed information on utilizing the I<sup>2</sup>S interface, including support for other codecs, refer to the application note "*USB7202/USB725x I<sup>2</sup>S Operation*", which can be found on the Microchip USB7206 product page at [www.microchip.com/USB7206](http://www.microchip.com/USB7206).

### 7.3.1 MODES OF OPERATION

The USB audio class operates in three ways: Asynchronous, Synchronous and Adaptive. There are also multiple operating modes, such as hi-res, streaming, etc.. Typically for USB devices, inputs such as microphones are Asynchronous, and output devices such as speakers are Adaptive. The hardware is set up to handle all three modes of operation. It is recommended that the following configuration be used: Asynchronous IN; Adaptive OUT; 48KHz streaming mode; Two channels: 16 bits per channel.

#### 7.3.1.1 Asynchronous IN 48KHz Streaming

In this mode, the codec sampling clock is set to 48KHz based on the local oscillator. This clock is never changed. The data from the codec is fed into the input FIFO. Since the sampling clock is asynchronous to the host clock, the amount of data captured in every USB frame will vary. This issue is left for the host to handle. The input FIFO has two markers, a low water mark (THRESHOLD\_LOW\_VAL), and a high water mark (THRESHOLD\_HIGH\_VAL). There are three registers to determine how much data to send back in each frame. If the amount of data in the FIFO exceeds the high water mark, then HI\_PKT\_SIZE worth of data is sent. If the data is between the high and low water mark, the normal MID\_PKT\_SIZE amount of data is sent. If the data is below the low water mark, LO\_PKT\_SIZE worth of data is sent.

## 7.3.1.2 Adaptive OUT 48KHz Streaming

In this mode, the codec sampling clock is initially set to 48KHz based on the local oscillator. The host data is fed into the OUT FIFO. The host will send the same amount of data on every frame, i.e. 48KHz of data based on the host clock. The codec sampling clock is asynchronous to the host clock. This will cause the amount of data in the OUT FIFO to vary. If the amount of data in the FIFO exceeds the high water mark, then the sampling clock is increased. If the data is between the high and low water mark, the sampling clock does not change. If the data is below the low water mark, the sampling clock is decreased.

## 7.3.1.3 Synchronous Operation

For synchronous operation, the internal clock must be synchronized with the host SOF. The Frame SOF is nominally 1mS. Since there is significant jitter in the SOFs, there is circuitry provided to measure the SOFs over a long period of time to get a more accurate reading. The calculated host frequency is used to calculate the codec sampling clock.

# USB7206

## 8.0 FUNCTIONAL DESCRIPTIONS

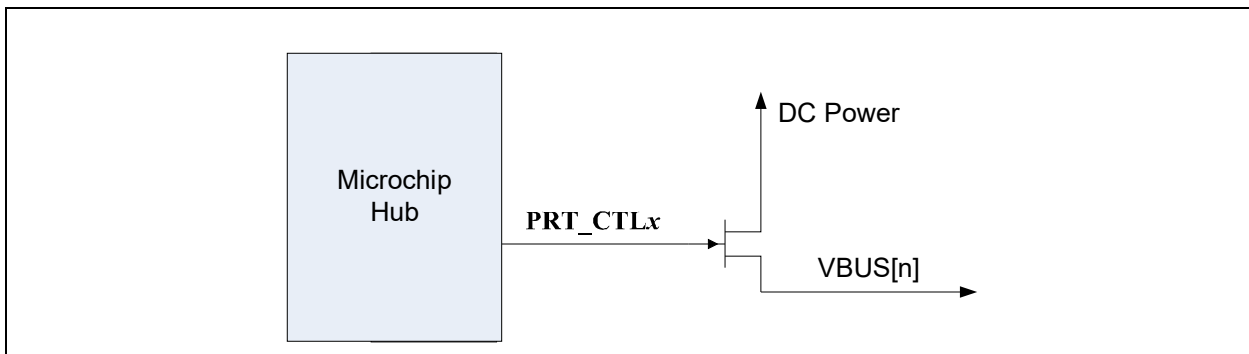
This section details various USB7206 functions, including:

- [Downstream Battery Charging](#)
- [Port Power Control](#)
- [PortSplit](#)
- [FlexConnect](#)
- [USB to GPIO Bridging](#)
- [USB to I2C Bridging](#)
- [USB to SPI Bridging](#)
- [Link Power Management \(LPM\)](#)
- [Resets](#)

### 8.1 Downstream Battery Charging

The device can be configured by an OEM to have any of the downstream ports support battery charging. The hub's role in battery charging is to provide acknowledgment to a device's query as to whether the hub system supports USB battery charging. The hub silicon does not provide any current or power FETs or any additional circuitry to actually charge the device. Those components must be provided externally by the OEM.

**FIGURE 8-1: BATTERY CHARGING EXTERNAL POWER SUPPLY**



If the OEM provides an external supply capable of supplying current per the battery charging specification, the hub can be configured to indicate the presence of such a supply from the device. This indication, via the `PRT_CTLx` pins, is on a per port basis. For example, the OEM can configure two ports to support battery charging through high current power FETs and leave the other two ports as standard USB ports.

The port control signals are assigned to programmable pins (`PFx`) and therefore the device must be programmed into specific configurations to enable the signals. Refer to [Section 3.3.4, PF\[31:3\] Configuration \(CFG\\_STRAP\[2:1\]\)](#) for additional information.

For detailed information on utilizing the battery charging feature, refer to the application note "[USB Battery Charging with Microchip USB7202 and USB725x Hubs](#)", which can be found on the Microchip USB7206 product page [www.microchip.com/USB7206](http://www.microchip.com/USB7206).



## 8.2 Port Power Control

Port power and over-current sense share the same pin (**PRT\_CTLx**) for each port. These functions can be controlled directly from the USB hub, or via the processor.

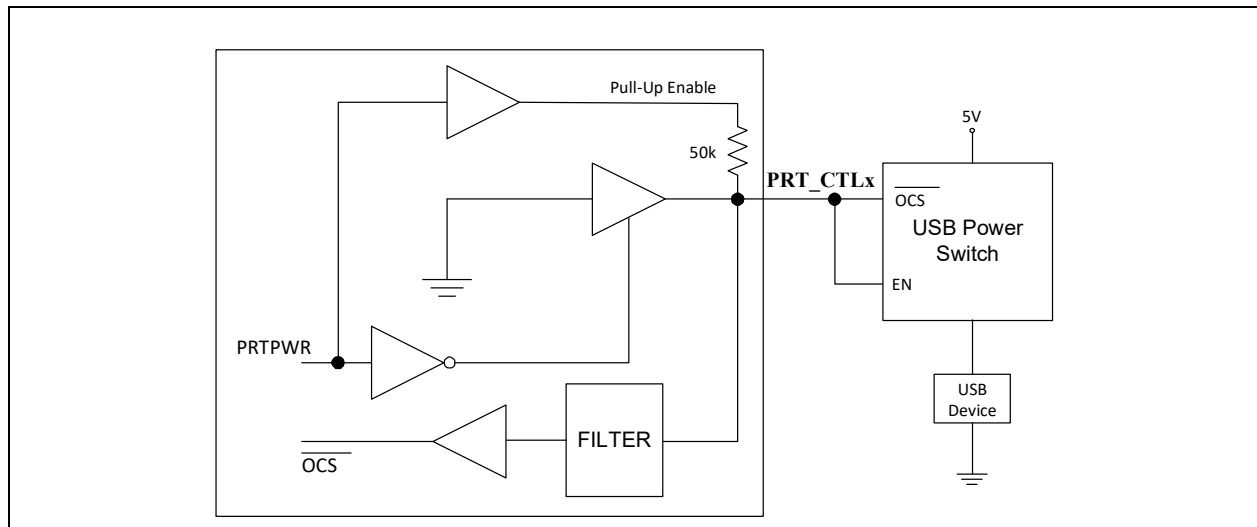
**Note:** The **PRT\_CTLx** function is assigned to programmable function pins (**PFx**) via configuration straps. Refer to [Section 3.3.4, PF\[31:3\] Configuration \(CFG\\_STRAP\[2:1\]\)](#) for additional information.

### 8.2.1 PORT POWER CONTROL USING USB POWER SWITCH

When operating in combined mode, the device will have one port power control and over-current sense pin for each downstream port. When disabling port power, the driver will actively drive a '0'. To avoid unnecessary power dissipation, the pull-up resistor will be disabled at that time. When port power is enabled, it will disable the output driver and enable the pull-up resistor, making it an open drain output. If there is an over-current situation, the USB Power Switch will assert the open drain OCS signal. The Schmidt trigger input will recognize that as a low. The open drain output does not interfere. The over-current sense filter handles the transient conditions such as low voltage while the device is powering up.

**Note:** An external power switch is the required implementation for Type-C ports due to the requirement that VBUS on Type-C ports must be discharged to 0V when no device is attached to the port.

**FIGURE 8-2: PORT POWER CONTROL WITH USB POWER SWITCH**

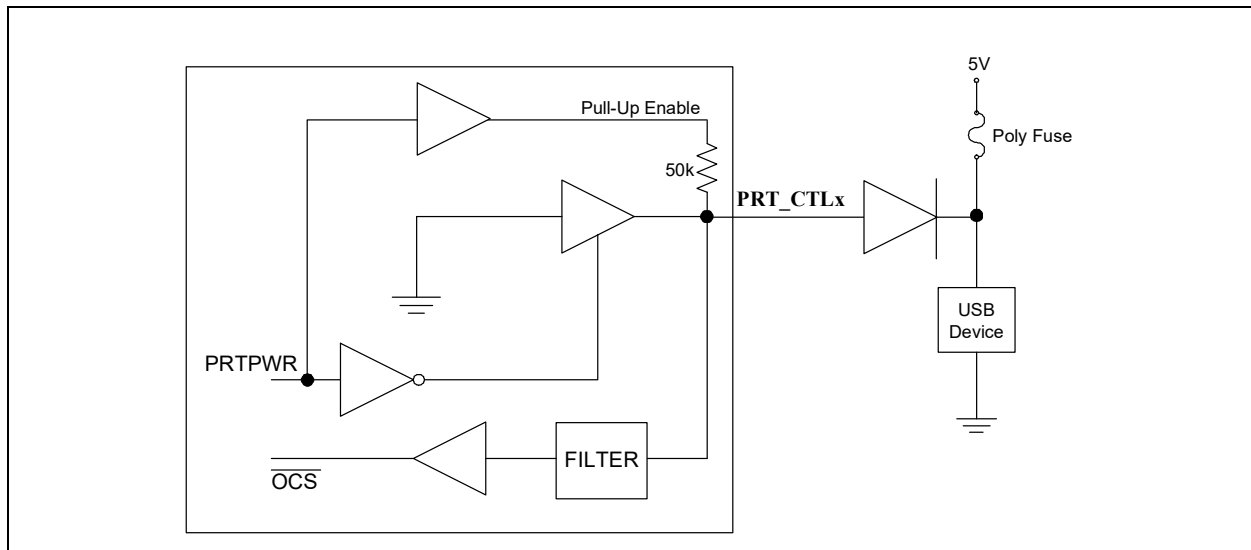


### 8.2.2 PORT POWER CONTROL USING POLY FUSE

When using the device with a poly fuse, there is no need for an output power control. A single port power control and over-current sense for each downstream port is still used from the Hub's perspective. When disabling port power, the driver will actively drive a '0'. This will have no effect as the external diode will isolate pin from the load. When port power is enabled, it will disable the output driver and enable the pull-up resistor. This means that the pull-up resistor is providing 3.3 volts to the anode of the diode. If there is an over-current situation, the poly fuse will open. This will cause the cathode of the diode to go to 0 volts. The anode of the diode will be at 0.7 volts, and the Schmidt trigger input will register this as a low resulting in an over-current detection. The open drain output does not interfere.

**Note:** Type-C ports may not utilize a Poly-Fuse port power implementation due to the requirements that VBUS on Type-C ports must be discharged to 0V when no device is attached to the port.

FIGURE 8-3: PORT POWER CONTROL USING A POLY FUSE



## 8.3 PortSplit

The PortSplit feature allows the USB 2.0 and USB 3.2 PHYs associated with a downstream port to be operationally separated. The intention of this feature is to allow a system designer to connect an embedded USB 3.x device to the USB 3.2 PHY, while allowing the USB 2.0 PHY to be used as either a standard USB 2.0 port or with a separate embedded USB 2.0 device. PortSplit can be configured via OTP/SMBus. By default, all ports are configured to non-split mode.

When PortSplit is disabled on a specific port, the corresponding **PRT\_CTLx** pin controls both the USB 2.0 and USB 3.2 portions of the port (port power and overcurrent condition). When PortSplit is enabled on a specific port, the corresponding **PRT\_CTLx** pin controls the USB 2.0 portion of the port, and the corresponding **PRT\_CTLx\_U3** pin controls the USB 3.2 portion of the port.

## 8.4 FlexConnect

The device allows the upstream port to be swapped with any downstream port, enabling any USB port to assume the role of USB host at any time during hub operation. This host role exchange feature is called FlexConnect. Additionally, the USB 2.0 ports can be flexed independently of the USB 3.2 ports.

This functionality can be used in two primary ways:

1. **Host Swapping:** This functionality can be achieved through a hub wherein a host and device can agree to swap the host/device relationship; The host becomes a device, and the device becomes a host.
2. **Host Sharing:** A USB ecosystem can be shared between multiple hosts. Note that only 1 host may access to the USB tree at a time.

FlexConnect can be enabled through any of the following three methods:

- **I<sup>2</sup>C Control:** The embedded I<sup>2</sup>C slave can be used to control the state of the FlexConnect feature through basic write/read operations.
- **USB Command:** FlexConnect can be initiated via a special USB command directed to the hub's internal Hub Feature Controller device.
- **Direct Pin Control:** Any available GPIO pin on the hub can be assigned the role of a FlexConnect control pin.

**Note:** Direct Pin Control is only available in certain configurations. Refer to [Section 3.3.4, PF\[31:3\] Configuration \(CFG\\_STRAP\[2:1\]\)](#) for additional information.

For detailed information on utilizing the FlexConnect feature, refer to the application note “*USB720x/USB725x FlexConnect Operation*”, which can be found on the Microchip USB7206 product page at [www.microchip.com/USB7206](http://www.microchip.com/USB7206).

## 8.5 USB to GPIO Bridging

The USB to GPIO bridging feature provides system designers expanded system control and potential BOM reduction. General Purpose Input/Outputs (GPIOs) may be used for any general 3.3V level digital control and input functions.

Commands may be sent from the USB Host to the internal Hub Feature Controller device in the Microchip hub to perform the following functions:

- Set the direction of the GPIO (input or output)
- Enable a pull-up resistor
- Enable a pull-down resistor
- Read the state
- Set the state

For detailed information on utilizing the USB to GPIO bridging feature, refer to the application note “*USB to GPIO Bridging with Microchip USB7202 and USB725x Hubs*”, which can be found on the Microchip USB7206 product page at [www.microchip.com/USB7206](http://www.microchip.com/USB7206).

## 8.6 USB to I<sup>2</sup>C Bridging

The USB to I<sup>2</sup>C bridging feature provides system designers expanded system control and potential BOM reduction. The use of a separate USB to I<sup>2</sup>C device is no longer required and a downstream USB port is not lost, as occurs when a standalone USB to I<sup>2</sup>C device is implemented.

Commands may be sent from the USB Host to the internal Hub Feature Controller device in the Microchip hub to perform the following functions:

- Configure I<sup>2</sup>C Pass-Through Interface
- I<sup>2</sup>C Write
- I<sup>2</sup>C Read

For detailed information on utilizing the USB to I<sup>2</sup>C bridging feature, refer to the application note “*USB to I<sup>2</sup>C Bridging with Microchip USB7202 and USB725x Hubs*”, which can be found on the Microchip USB7206 product page at [www.microchip.com/USB7206](http://www.microchip.com/USB7206).

## 8.7 USB to SPI Bridging

The USB to SPI bridging feature provides system designers expanded system control and potential BOM reduction. The use of a separate USB to SPI device is no longer required and a downstream USB port is not lost, as occurs when a standalone USB to SPI device is implemented.

Commands may be sent from the USB Host to the internal Hub Feature Controller device in the Microchip hub to perform the following functions:

- Enable SPI Pass-Through Interface
- SPI Write/Read
- Disable SPI Pass-Through Interface

For detailed information on utilizing the USB to SPI bridging feature, refer to the application note “*USB to SPI Bridging with Microchip USB7202 and USB725x Hubs*”, which can be found on the Microchip USB7206 product page at [www.microchip.com/USB7206](http://www.microchip.com/USB7206).

## 8.8 Link Power Management (LPM)

The device supports the L0 (On), L1 (Sleep), and L2 (Suspend) link power management states. These supported LPM states offer low transitional latencies in the tens of microseconds versus the much longer latencies of the traditional USB suspend/resume in the tens of milliseconds. The supported LPM states are detailed in [Table 8-1](#).

**TABLE 8-1: LPM STATE DEFINITIONS**

| State | Description        | Entry/Exit Time to L0                              |
|-------|--------------------|--|
| L2    | Suspend            | Entry: ~3 ms<br>Exit: ~2 ms (from start of RESUME) |
| L1    | Sleep              | Entry: <10 us<br>Exit: <50 us                      |
| L0    | Fully Enabled (On) | -  |

## 8.9 Resets

The device includes the following chip-level reset sources:

- [Power-On Reset \(POR\)](#)
- [External Chip Reset \(RESET\\_N\)](#)
- [USB Bus Reset](#)

### 8.9.1 POWER-ON RESET (POR)

A power-on reset occurs whenever power is initially supplied to the device, or if power is removed and reapplied to the device. A timer within the device will assert the internal reset per the specifications listed in [Section 9.6.2, Power-On and Configuration Strap Timing](#).

### 8.9.2 EXTERNAL CHIP RESET (RESET\_N)

A valid hardware reset is defined as assertion of **RESET\_N**, after all power supplies are within operating range, per the specifications in [Section 9.6.3, Reset and Configuration Strap Timing](#). While reset is asserted, the device (and its associated external circuitry) enters Standby Mode and consumes minimal current.

Assertion of **RESET\_N** causes the following:

1. The PHY is disabled and the differential pairs will be in a high-impedance state.
2. All transactions immediately terminate; no states are saved.
3. All internal registers return to the default state.
4. The external crystal oscillator is halted.
5. The PLL is halted.

**Note:** All power supplies must have reached the operating levels mandated in [Section 9.2, Operating Conditions\\*\\*](#), prior to (or coincident with) the assertion of **RESET\_N**.

### 8.9.3 USB BUS RESET

In response to the upstream port signaling a reset to the device, the device performs the following:

1. Sets default address to 0.
2. Sets configuration to Unconfigured.
3. Moves device from suspended to active (if suspended).
4. Complies with the USB Specification for behavior after completion of a reset sequence.

The host then configures the device in accordance with the USB Specification.

**Note:** The device does not propagate the upstream USB reset to downstream devices.

## 9.0 OPERATIONAL CHARACTERISTICS

### 9.1 Absolute Maximum Ratings\*

|   |                                |
|---|--------------------------------|
| Digital Core Supply Voltage (V <sub>CORE</sub> ) (Note 1)   | -0.5 V to +1.21 V              |
| +3.3 V Supply Voltage (V <sub>D33</sub> ) (Note 1)  | -0.5 V to +4.6 V               |
| Positive voltage on input signal pins, with respect to ground (Note 2)                            | +4.6 V                         |
| Negative voltage on input signal pins, with respect to ground                                     | -0.5 V                         |
| Positive voltage on XTALI/CLK_IN, with respect to ground  | +3.63 V                        |
| Positive voltage on USB DP/DM signal pins, with respect to ground                                 | +6.0 V                         |
| Positive voltage on USB 3.2 Gen 2 USB3UP_XXXX and USB3DN_XXXX signal pins, with respect to ground | 1.21 V                         |
| Storage Temperature   | -55°C to +150°C                |
| Junction Temperature  | +125°C                         |
| Lead Temperature Range  | Refer to JEDEC Spec. J-STD-020 |
| HBM ESD Performance   | +/-3.5 kV                      |

**Note 1:** When powering this device from laboratory or system power supplies, it is important that the absolute maximum ratings not be exceeded or device failure can result. Some power supplies exhibit voltage spikes on their outputs when AC power is switched on or off. In addition, voltage transients on the AC power line may appear on the DC output. If this possibility exists, it is suggested that a clamp circuit be used.

**Note 2:** This rating does not apply to the following pins: All USB DM/DP pins, XTALI/CLK\_IN, XTALO and VBUS\_MON\_UP.

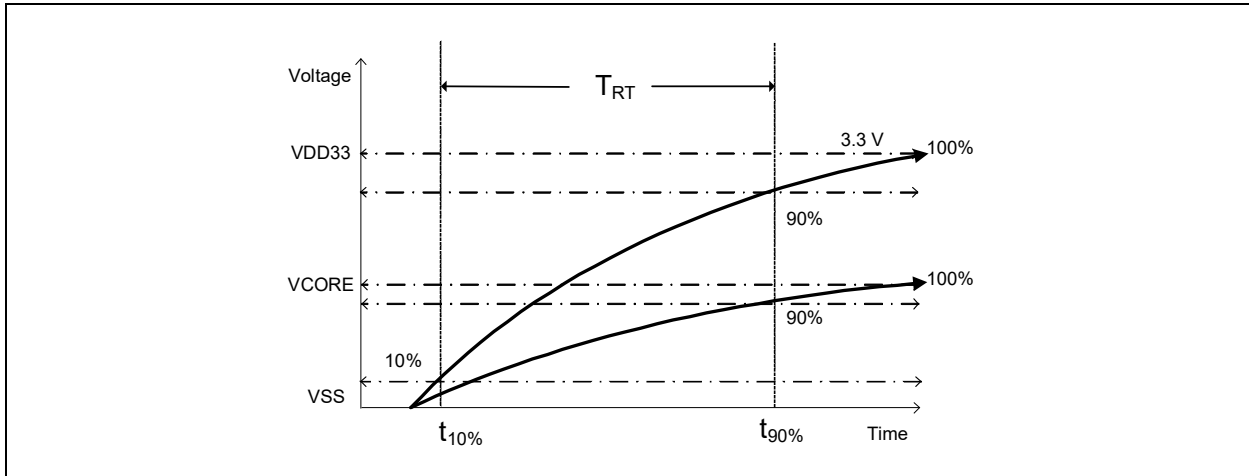
\*Stresses exceeding those listed in this section could cause permanent damage to the device. This is a stress rating only. Exposure to absolute maximum rating conditions for extended periods may affect device reliability. Functional operation of the device at any condition exceeding those indicated in [Section 9.2, Operating Conditions\\*\\*](#), [Section 9.5, DC Specifications](#), or any other applicable section of this specification is not implied.

### 9.2 Operating Conditions\*\*

|  |                        |
|--|------------------------|
| Digital Core Supply Voltage (V <sub>CORE</sub> )                                       | +1.09 V to +1.21 V     |
| +3.3 V Supply Voltage (V <sub>D33</sub> )  | +3.0 V to +3.6 V       |
| Input Signal Pins Voltage (Note 2)   | -0.3 V to +3.6 V       |
| XTALI/CLK_IN Voltage   | -0.3 V to +3.6 V       |
| USB 2.0 DP/DM Signal Pins Voltage  | -0.3 V to +5.5 V       |
| USB 3.2 Gen 2 USB3UP_XXXX and USB3DN_XXXX Signal Pins Voltage                          | -0.3 V to +1.21 V      |
| Ambient Operating Temperature in Still Air (T <sub>A</sub> )                           | <a href="#">Note 3</a> |
| Digital Core Supply Voltage Rise Time (T <sub>RT</sub> in <a href="#">Figure 9-1</a> ) | 5 ms                   |
| +3.3 V Supply Voltage Rise Time (T <sub>RT</sub> in <a href="#">Figure 9-1</a> )       | 5 ms                   |

**Note 3:** 0°C to +70°C for commercial version, -40°C to +85°C for industrial version. \*\*Proper operation of the device is guaranteed only within the ranges specified in this section. Do not drive input signals without power supplied to the device.

**FIGURE 9-1: SUPPLY RISE TIME MODEL**



**Note:** The Power Supply Rise time requirement does not apply if the **RESET\_N** signal is held low during power on and released after power levels rise and stabilize above the power on thresholds, or if the **RESET\_N** signal is toggled after power supplies become stable.

### 9.3 Package Thermal Specifications

**TABLE 9-1: PACKAGE THERMAL PARAMETERS**

| Symbol        | °C/W | Velocity (Meters/s) |
|---------------|------|---------------------|
| $\Theta_{JA}$ | 19   | 0                   |
|               | 16   | 1                   |
|               | 14   | 2.5                 |
| $\Psi_{JT}$   | 0.1  | 0                   |
|               | 0.1  | 1                   |
| $\Psi_{JB}$   | 9    | 0                   |
| $\Theta_{JC}$ | 1.3  | 0                   |
|               | 1.3  | 1                   |
| $\Theta_{JB}$ | 10   | -                   |

**Note:** Thermal parameters are measured or estimated for devices in a multi-layer 2S2P PCB per JESDN51. For industrial applications, the USB7206 requires multi-layer 2S4P PCB power dissipation.

## 9.4 Power Consumption

This section details the power consumption of the device as measured during various modes of operation. Power dissipation is determined by temperature, supply voltage, and external source/sink requirements.

**TABLE 9-2: DEVICE POWER CONSUMPTION**

|  | Typical (mA) @ 25°C                             |                          | Typical Power (mW) |
|--|---|--------------------------|--------------------|
|  | V <sub>CORE</sub> (1.15V)                       | V <sub>DD33</sub> (3.3V) |                    |
| Global Suspend   | 5.4   | 2.3                      | 14                 |
| VBUS Off   | 5.3   | 6.4                      | 27                 |
| Reset  | 4.2   | 0.2                      | 5                  |
| <b>Data for Calculating Active Transfer Current</b>                                |   |                          |                    |
| Upstream Port Link Speed Base Currents   |   |                          |                    |
| SS+ Current  | 410   | 30.8                     |                    |
| SS Current   | 370   | 27.3                     |                    |
| HS Current   | 58  | 19.7                     |                    |
| Additional Current Per Enabled Port  |   |                          |                    |
| SS+ Current  | 179   | 11.1                     |                    |
| SS Current   | 143   | 9.1                      |                    |
| HS Current   | 1   | 10.8                     |                    |
| <b>Example Active Data Transfer Current Calculation: 1 SS+ Port and 2 HS Ports</b> |   |                          |                    |
| Active Data Transfer Current (mA @ 3.3V)   | $\{30.8\} + \{1 * 11.1\} + \{2 * 10.8\} = 63.5$ |                          |                    |
| Active Data Transfer Current (mA @ 1.15V)  | $\{410\} + \{1 * 179\} + \{2 * 1\} = 591$       |                          |                    |

**Note:** In the Active Idle and Active Data Transfer sections of [Table 9-2](#), the various port configurations are indicated via the following acronyms:  
**SS+** = USB 3.2 SuperSpeed+ (Gen 2)  
**SS** = USB 3.2 SuperSpeed (Gen 1)  
**HS** = USB 2.0 High Speed

# USB7206

## 9.5 DC Specifications

**TABLE 9-3: I/O DC ELECTRICAL CHARACTERISTICS**

| Parameter  | Symbol    | Min              | Typical | Max  | Units | Notes                    |
|--|-----------|------------------|---------|------|-------|--------------------------|
| <b>I Type Input Buffer</b>                           |           |                  |         |      |       |                          |
| Low Input Level                                      | $V_{IL}$  |                  |         | 0.9  | V     |                          |
| High Input Level                                     | $V_{IH}$  | 2.1              |         |      | V     |                          |
| <b>IS Type Input Buffer</b>                          |           |                  |         |      |       |                          |
| Low Input Level                                      | $V_{IL}$  |                  |         | 0.9  | V     |                          |
| High Input Level                                     | $V_{IH}$  | 2.1              |         |      | V     |                          |
| Schmitt Trigger Hysteresis ( $V_{IHT} - V_{ILT}$ )   | $V_{HYS}$ | 100              | 160     | 240  | mV    |                          |
| <b>O12 Type Output Buffer</b>                        |           |                  |         |      |       |                          |
| Low Output Level                                     | $V_{OL}$  |                  |         | 0.4  | V     | $I_{OL} = 12\text{ mA}$  |
| High Output Level                                    | $V_{OH}$  | <b>VDD33-0.4</b> |         |      | V     | $I_{OH} = -12\text{ mA}$ |
| <b>OD12 Type Output Buffer</b>                       |           |                  |         |      |       |                          |
| Low Output Level                                     | $V_{OL}$  |                  |         | 0.4  | V     | $I_{OL} = 12\text{ mA}$  |
| <b>ICLK Type Input Buffer (XTALI Input)</b>          |           |                  |         |      |       |                          |
| Low Input Level                                      | $V_{IL}$  |                  |         | 0.35 | V     | <a href="#">Note 4</a>   |
| High Input Level                                     | $V_{IH}$  | 1.1              |         |      | V     |                          |
| <b>IO-U Type Buffer (See <a href="#">Note 5</a>)</b> |           |                  |         |      |       |                          |
|  |           |                  |         |      |       | <a href="#">Note 5</a>   |

**Note 4:** XTALI can optionally be driven from a 25 MHz singled-ended clock oscillator.

**Note 5:** Refer to the USB 3.2 Gen 2 Specification for USB DC electrical characteristics.



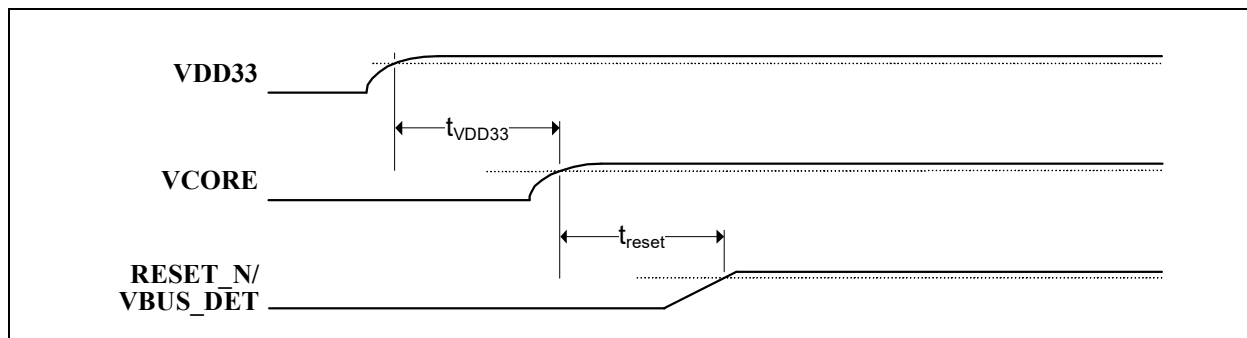
## 9.6 AC Specifications

This section details the various AC timing specifications of the device.

### 9.6.1 POWER SUPPLY AND RESET\_N SEQUENCE TIMING

There is no specific requirement for power sequencing of VDD33 and V<sub>CORE</sub> for device operation. Figure 9-2 illustrates the recommended power supply sequencing for ensuring long term reliability of the device. V<sub>CORE</sub> should rise after or at the same time as VDD33. Similarly, RESET\_N and/or VBUS\_DET should rise after or at the same time as VDD33. VBUS\_DET and RESET\_N do not have any other timing dependencies. The rise times for V<sub>CORE</sub> and VDD33 are provided in Section 9.2, Operating Conditions\*\* and Figure 9-1.

**FIGURE 9-2: POWER SUPPLY AND RESET\_N SEQUENCE TIMING**



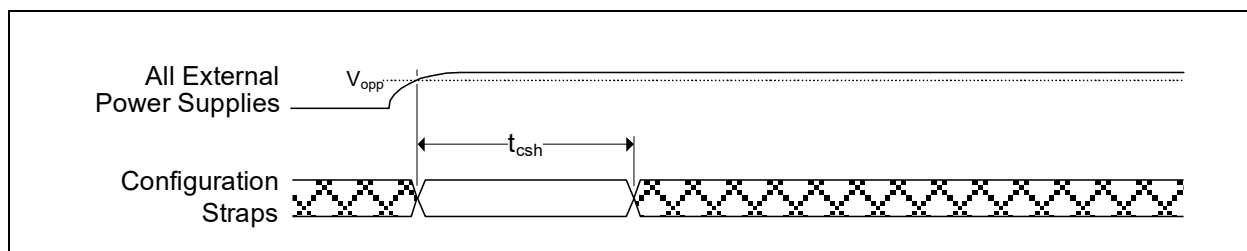
**TABLE 9-4: POWER SUPPLY AND RESET\_N SEQUENCE TIMING**

| Symbol      | Description                           | Min | Typ | Max | Units |
|-------------|---------------------------------------|-----|-----|-----|-------|
| $t_{VDD33}$ | VDD33 to V <sub>CORE</sub> rise delay | 0   |     |     | ms    |
| $t_{reset}$ | VDD33 to RESET_N/VBUS_DET rise delay  | 0   |     |     | ms    |

### 9.6.2 POWER-ON AND CONFIGURATION STRAP TIMING

Figure 9-3 illustrates the configuration strap valid timing requirements in relation to power-on, for applications where RESET\_N is not used at power-on. In order for valid configuration strap values to be read at power-on, the following timing requirements must be met. The operational levels ( $V_{opp}$ ) for the external power supplies are detailed in Section 9.2, Operating Conditions\*\*.

**FIGURE 9-3: POWER-ON CONFIGURATION STRAP VALID TIMING**



**TABLE 9-5: POWER-ON CONFIGURATION STRAP LATCHING TIMING**

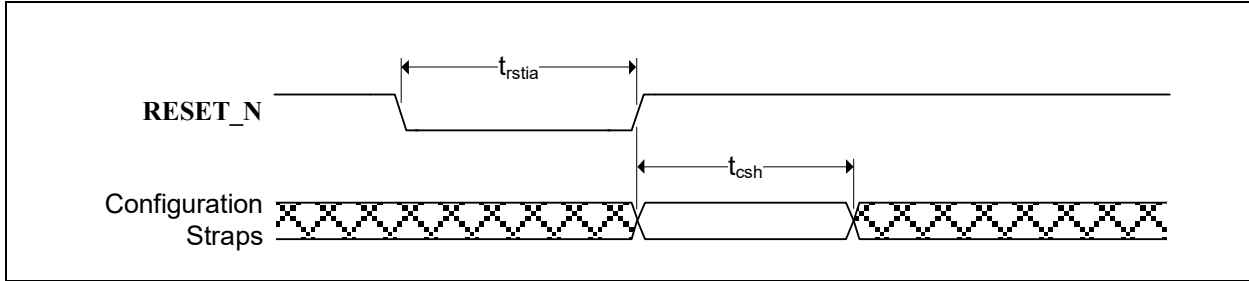
| Symbol    | Description  | Min | Typ | Max | Units |
|-----------|--|-----|-----|-----|-------|
| $t_{csh}$ | Configuration strap hold after external power supplies at operational levels | 1   |     |     | ms    |

Device configuration straps are also latched as a result of RESET\_N assertion. Refer to Section 9.6.3, Reset and Configuration Strap Timing for additional details.

## 9.6.3 RESET AND CONFIGURATION STRAP TIMING

Figure 9-4 illustrates the **RESET\_N** pin timing requirements and its relation to the configuration strap pins. Assertion of **RESET\_N** is not a requirement. However, if used, it must be asserted for the minimum period specified. Refer to Section 8.9, [Resets](#) for additional information on resets. Refer to Section 3.3, [Configuration Straps and Programmable Functions](#) for additional information on configuration straps.

**FIGURE 9-4: RESET\_N CONFIGURATION STRAP TIMING**



**TABLE 9-6: RESET\_N CONFIGURATION STRAP TIMING**

| Symbol      | Description  | Min | Typ | Max | Units         |
|-------------|--|-----|-----|-----|---------------|
| $t_{rstia}$ | <b>RESET_N</b> input assertion time                            | 5   |     |     | $\mu\text{s}$ |
| $t_{csh}$   | Configuration strap pins hold after <b>RESET_N</b> deassertion | 1   |     |     | ms            |

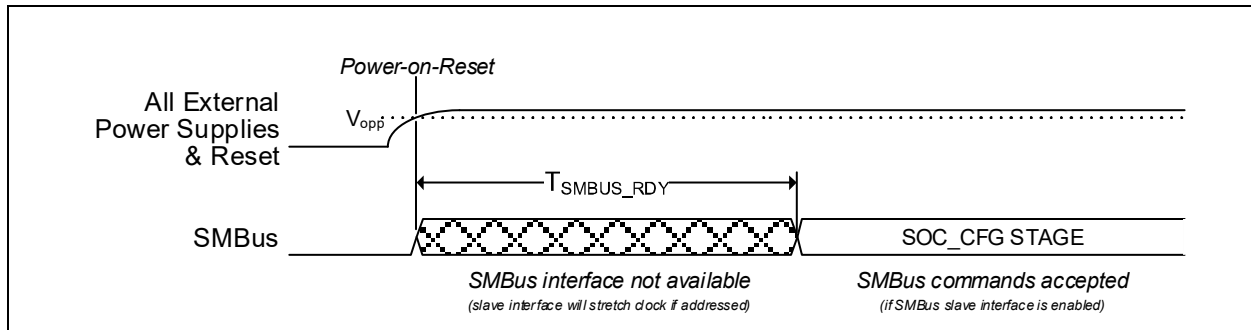
**Note:** The clock input must be stable prior to **RESET\_N** deassertion.

Configuration strap latching and output drive timings shown assume that the Power-On reset has finished first otherwise the timings in Section 9.6.2, [Power-On and Configuration Strap Timing](#) apply.

## 9.6.4 POWER-ON OR RESET TO SMBUS SLAVE READY TIMING

Figure 9-5 illustrates the SMBus Slave interface readiness in relation to power-on or de-assertion of **RESET\_N**. In order to ensure reliable SMBus slave operation, the SMBus master must allow the bus to remain idle until  $t_{\text{SMBUS\_RDY}}$  timing has been met. The operational levels ( $V_{\text{opp}}$ ) for the external power supplies are detailed in Section 9.2, [Operating Conditions\\*\\*](#).

**FIGURE 9-5: POWER-ON OR RESET TO SMBUS SLAVE READY TIMING**



**TABLE 9-7: POWER-ON OR RESET TO SMBUS SLAVE READY TIMING**

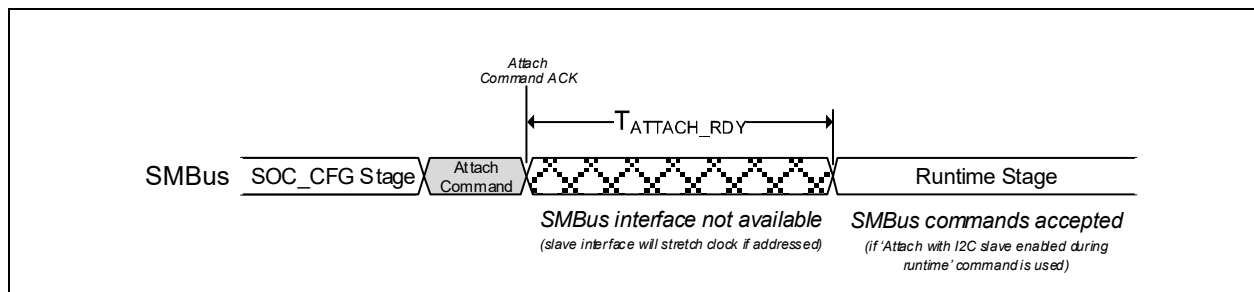
| Symbol                  | Description   | Min | Typ | Max | Units |
|-------------------------|---|-----|-----|-----|-------|
| $t_{\text{SMBUS\_RDY}}$ | Power-on or <b>RESET_N</b> deassertion to SMBus ready | 40  |     |     | ms    |

## 9.6.5 USB ATTACH COMMAND TO SMBUS SLAVE READY TIMING

Figure 9-6 illustrates the SMBus Slave interface readiness in relation to ACK of the Slave interface to the “USB Attach with SMBus Runtime Access” (AA56h) from the SMBus Master. In order to ensure reliable SMBus slave operation, the SMBus master must allow the bus to remain idle after issuing the “USB Attach with SMBus Runtime Access” until  $t_{ATTACH\_RDY}$  timing has been met.

**Note:** When accessing SMBus during runtime, it is critical to force some clocks to stay on. If this step is not taken, the SMBus slave interface will not be accessible while the hub is placed into a Suspend state by the host.

**FIGURE 9-6: USB ATTACH COMMAND TO SMBUS SLAVE READY TIMING**



**TABLE 9-8: USB ATTACH COMMAND TO SMBUS SLAVE READY TIMING**

| Symbol            | Description                                | Min  | Typ | Max | Units |
|-------------------|--|------|-----|-----|-------|
| $t_{ATTACH\_RDY}$ | USB Attach command to SMBus ready (Note 6) | 11.5 |     |     | ms    |

**Note 6:** The  $t_{ATTACH\_RDY}$  values are preliminary and subject to change.

## 9.6.6 USB TIMING

All device USB signals conform to the voltage, power, and timing characteristics/specifications as set forth in the *Universal Serial Bus Specification*. Please refer to the *Universal Serial Bus Revision 3.2 Specification*, available at <http://www.usb.org/developers/docs>.

## 9.6.7 SMBUS TIMING

All device SMBus signals conform to the voltage, power, and timing characteristics/specifications as set forth in the *System Management Bus Specification*. Please refer to the *System Management Bus Specification*, Version 1.0, available at <http://smbus.org/specs>.

## 9.6.8 I<sup>2</sup>C TIMING

All device I<sup>2</sup>C signals conform to the 100KHz Standard-mode (Sm) and 400KHz Fast Mode (Fm) voltage, power, and timing characteristics/specifications as set forth in the *I<sup>2</sup>C-Bus Specification*. Please refer to the *I<sup>2</sup>C-Bus Specification*, available at [http://www.nxp.com/documents/user\\_manual/UM10204.pdf](http://www.nxp.com/documents/user_manual/UM10204.pdf).

## 9.6.9 I<sup>2</sup>S TIMING

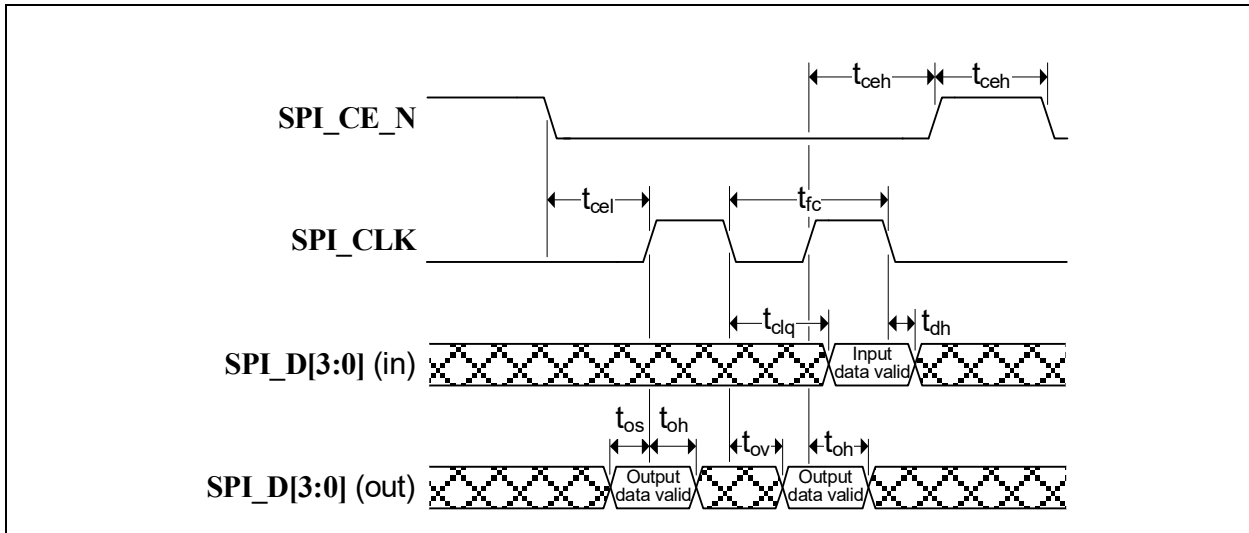
All device I<sup>2</sup>S signals conform to the voltage, power, and timing characteristics/specifications as set forth in the *I<sup>2</sup>S-Bus Specification*. Please refer to the *I<sup>2</sup>S-Bus Specification*, available at [www.sparkfun.com/datasheets/BreakoutBoards/I2SBUS.pdf](http://www.sparkfun.com/datasheets/BreakoutBoards/I2SBUS.pdf)

# USB7206

## 9.6.10 SPI/SQI MASTER TIMING

This section specifies the SPI/SQI master timing requirements for the device.

**FIGURE 9-7: SPI/SQI MASTER TIMING**



**TABLE 9-9: SPI/SQI MASTER TIMING (30 MHZ OPERATION)**

| Symbol    | Description                               | Min | Typ | Max | Units |
|-----------|---|-----|-----|-----|-------|
| $t_{fc}$  | Clock frequency                           |     |     | 30  | MHz   |
| $t_{ceh}$ | Chip enable (SPI_CE_N) high time          | 100 |     |     | ns    |
| $t_{clq}$ | Clock to input data                       |     |     | 13  | ns    |
| $t_{dh}$  | Input data hold time                      | 0   |     |     | ns    |
| $t_{os}$  | Output setup time                         | 5   |     |     | ns    |
| $t_{oh}$  | Output hold time                          | 5   |     |     | ns    |
| $t_{ov}$  | Clock to output valid                     | 4   |     |     | ns    |
| $t_{cel}$ | Chip enable (SPI_CE_N) low to first clock | 12  |     |     | ns    |
| $t_{ceh}$ | Last clock to chip enable (SPI_CE_N) high | 12  |     |     | ns    |

**TABLE 9-10: SPI/SQI MASTER TIMING (60 MHZ OPERATION)**

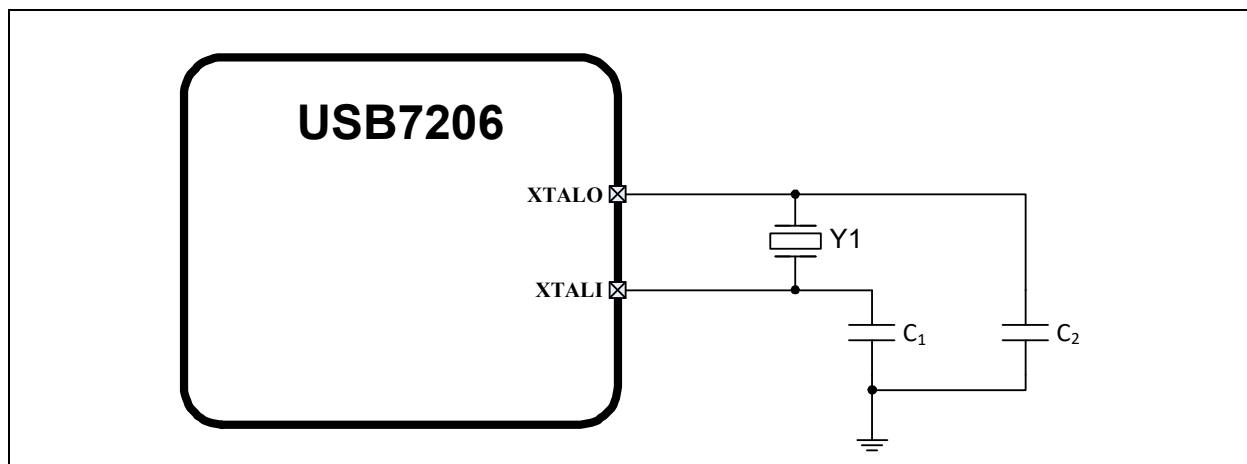
| Symbol    | Description                               | Min | Typ | Max | Units |
|-----------|---|-----|-----|-----|-------|
| $t_{fc}$  | Clock frequency                           |     |     | 60  | MHz   |
| $t_{ceh}$ | Chip enable (SPI_CE_N) high time          | 50  |     |     | ns    |
| $t_{clq}$ | Clock to input data                       |     |     | 9   | ns    |
| $t_{dh}$  | Input data hold time                      | 0   |     |     | ns    |
| $t_{os}$  | Output setup time                         | 5   |     |     | ns    |
| $t_{oh}$  | Output hold time                          | 5   |     |     | ns    |
| $t_{ov}$  | Clock to output valid                     | 4   |     |     | ns    |
| $t_{cel}$ | Chip enable (SPI_CE_N) low to first clock | 12  |     |     | ns    |
| $t_{ceh}$ | Last clock to chip enable (SPI_CE_N) high | 12  |     |     | ns    |

## 9.7 Clock Specifications

The device can accept either a 25MHz crystal or a 25MHz single-ended clock oscillator input. If the single-ended clock oscillator method is implemented, XTALO should be left unconnected and XTALI/CLK\_IN should be driven with a nominal 0-3.3V clock signal. The input clock duty cycle is 40% minimum, 50% typical and 60% maximum.

It is recommended that a crystal utilizing matching parallel load capacitors be used for the crystal input/output signals (XTALI/XTALO). The following circuit design (Figure 9-8) and specifications (Table 9-11) are required to ensure proper operation.

**FIGURE 9-8: 25MHZ CRYSTAL CIRCUIT**



### 9.7.1 CRYSTAL SPECIFICATIONS

It is recommended that a crystal utilizing matching parallel load capacitors be used for the crystal input/output signals (XTALI/XTALO). Refer to Table 9-11 for the recommended crystal specifications.

**TABLE 9-11: CRYSTAL SPECIFICATIONS**

| Parameter                     | Symbol     | Min                    | Nom     | Max    | Units | Notes   |
|-------------------------------|------------|------------------------|---------|--------|-------|---------|
| Crystal Cut                   |            | AT, typ                |         |        |       |         |
| Crystal Oscillation Mode      |            | Fundamental Mode       |         |        |       |         |
| Crystal Calibration Mode      |            | Parallel Resonant Mode |         |        |       |         |
| Frequency                     | $F_{fund}$ | -                      | 25.000  | -      | MHz   |         |
| Frequency Tolerance @ 25°C    | $F_{tol}$  | -                      | -       | ±50    | PPM   |         |
| Frequency Stability Over Temp | $F_{temp}$ | -                      | -       | ±50    | PPM   |         |
| Frequency Deviation Over Time | $F_{age}$  | -                      | ±3 to 5 | -      | PPM   | Note 7  |
| Total Allowable PPM Budget    |            | -                      | -       | ±100   | PPM   |         |
| Shunt Capacitance             | $C_O$      | -                      | 7 typ   | -      | pF    |         |
| Load Capacitance              | $C_L$      | -                      | 20 typ  | -      | pF    |         |
| Drive Level                   | $P_W$      | 100                    | -       | -      | uW    |         |
| Equivalent Series Resistance  | $R_1$      | -                      | -       | 60     | Ω     |         |
| Operating Temperature Range   |            | Note 8                 | -       | Note 9 | °C    |         |
| XTALI/CLK_IN Pin Capacitance  |            | -                      | 3 typ   | -      | pF    | Note 10 |
| XTALO Pin Capacitance         |            | -                      | 3 typ   | -      | pF    | Note 10 |

**Note 7:** Frequency Deviation Over Time is also referred to as Aging.

**Note 8:** 0 °C for commercial version, -40 °C for industrial version.

**Note 9:** +70 °C for commercial version, +85 °C for industrial version.

**Note 10:** This number includes the pad, the bond wire and the lead frame. PCB capacitance is not included in this value. The XTALI/CLK\_IN pin, XTALO pin and PCB capacitance values are required to accurately calculate the value of the two external load capacitors. These two external load capacitors determine the accuracy of the 25.000 MHz frequency.

## 9.7.2 EXTERNAL REFERENCE CLOCK (CLK\_IN)

When using an external reference clock, the following clock characteristics are required:

- 25 MHz
- 50% duty cycle  $\pm 10\%$ ,  $\pm 100$  ppm
- Jitter < 100 ps RMS

## 10.0 PACKAGE OUTLINE

### 10.1 Package Marking Information

100-VQFN (12x12 mm)

|   |
|---|
| <p><b>Legend:</b></p> <ul style="list-style-type: none"> <li><i>i</i>      Temperature range designator (Blank = commercial, <i>i</i> = industrial)</li> <li>R      Product revision</li> <li>nnn    Internal code</li> <li>e3      Pb-free JEDEC® designator for Matte Tin (Sn)</li> <li>YY     Year code (last two digits of calendar year)</li> <li>WW    Week code (week of January 1 is week '01')</li> <li>NNN    Alphanumeric traceability code</li> </ul> |
| <p><b>Note:</b>    In the event the full Microchip part number cannot be marked on one line, it will be carried over to the next line, thus limiting the number of available characters for customer-specific information.</p>  |

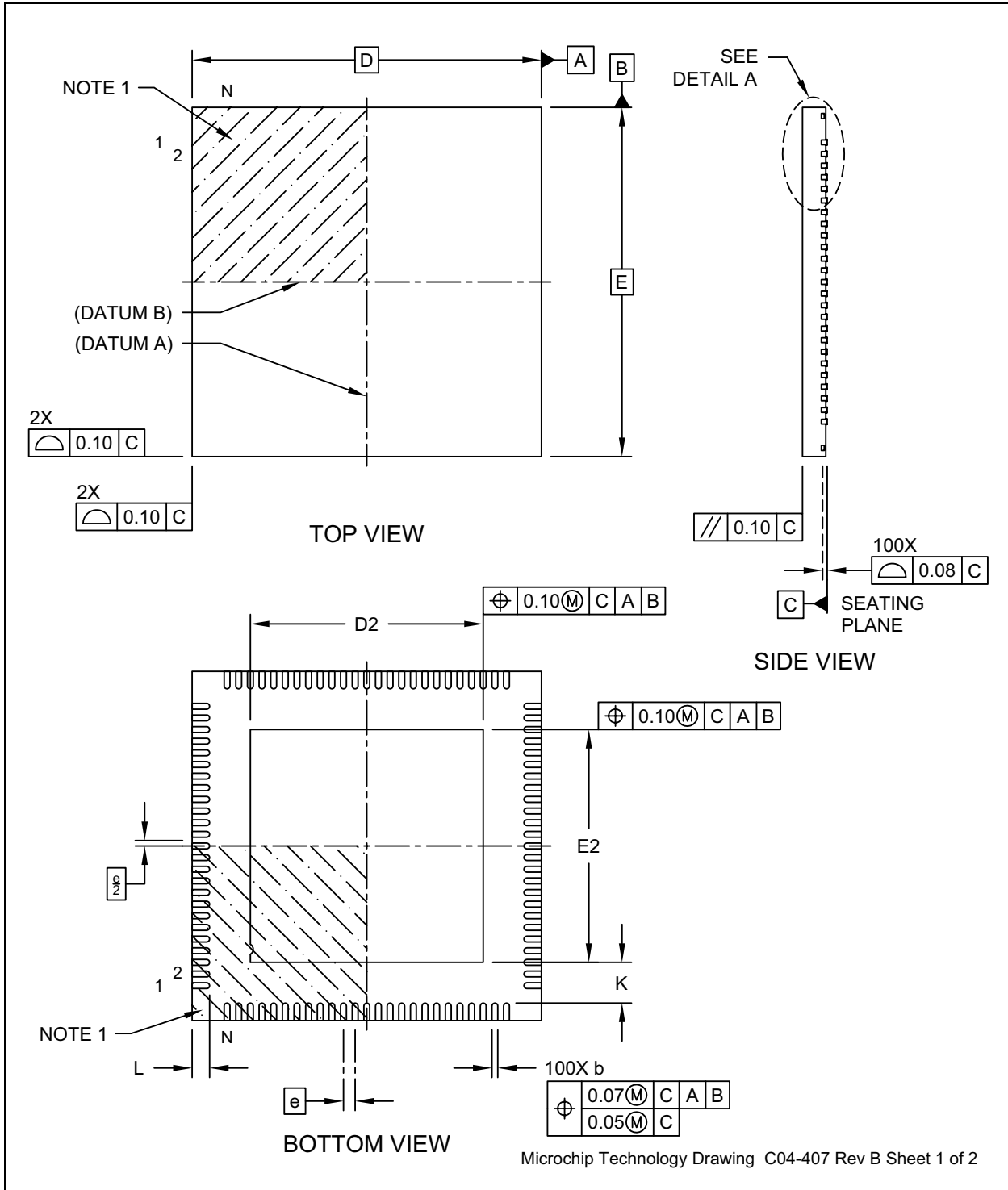
\* Standard device marking consists of Microchip part number, year code, week code and traceability code. For device marking beyond this, certain price adders apply. Please check with your Microchip Sales Office. For QTP devices, any special marking adders are included in QTP price.

# USB7206

## 10.2 Package Drawings

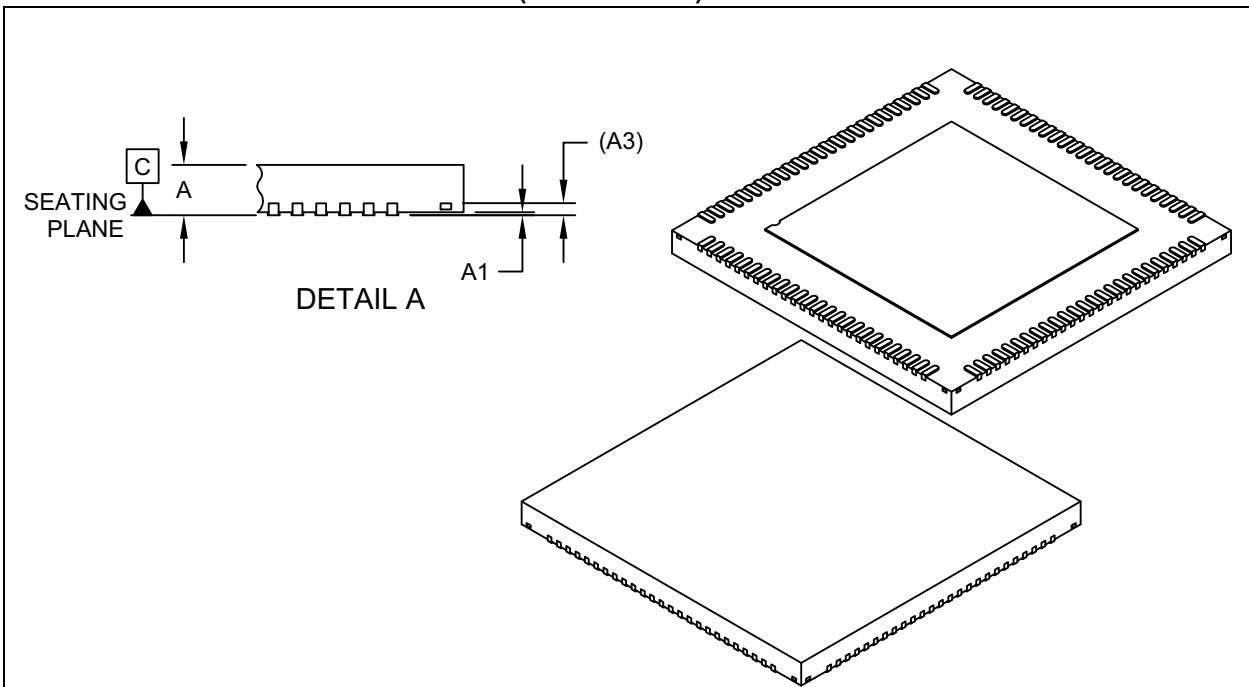
**Note:** For the most current package drawings, see the Microchip Packaging Specification at: <http://www.microchip.com/packaging>.

**FIGURE 10-1: 100-VQFN PACKAGE (DRAWING)**





**FIGURE 10-2: 100-VQFN PACKAGE (DIMENSIONS)**



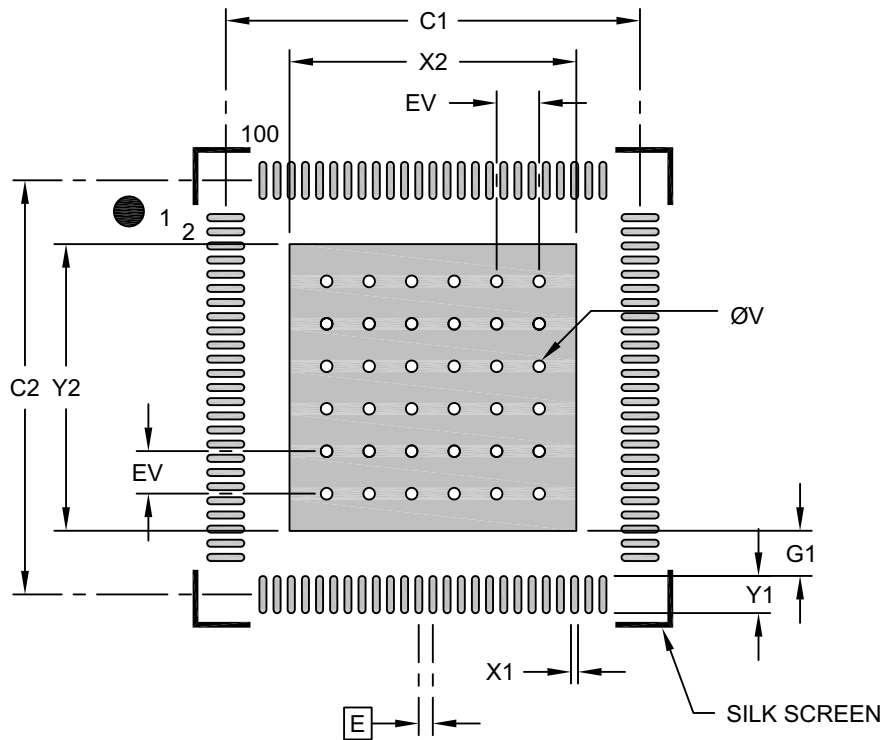
| Dimension Limits        | Units | MILLIMETERS |      |      |
|-------------------------|-------|-------------|------|------|
|                         |       | MIN         | NOM  | MAX  |
| Number of Terminals     | N     | 100         |      |      |
| Pitch                   | e     | 0.40 BSC    |      |      |
| Overall Height          | A     | 0.80        | 0.85 | 0.90 |
| Standoff                | A1    | 0.00        | 0.02 | 0.05 |
| Terminal Thickness      | A3    | 0.203 REF   |      |      |
| Overall Length          | D     | 12.00 BSC   |      |      |
| Exposed Pad Length      | D2    | 7.90        | 8.00 | 8.10 |
| Overall Width           | E     | 12.00 BSC   |      |      |
| Exposed Pad Width       | E2    | 7.90        | 8.00 | 8.10 |
| Terminal Width          | b     | 0.15        | 0.20 | 0.25 |
| Terminal Length         | L     | 0.50        | 0.60 | 0.70 |
| Terminal-to-Exposed-Pad | K     | 1.30        | -    | -    |

**Notes:**

1. Pin 1 visual index feature may vary, but must be located within the hatched area.
2. Package is saw singulated
3. Dimensioning and tolerancing per ASME Y14.5M
  - BSC: Basic Dimension. Theoretically exact value shown without tolerances.
  - REF: Reference Dimension, usually without tolerance, for information purposes only.

Microchip Technology Drawing C04-407 Rev B Sheet 2 of 2

**FIGURE 10-3: 100-VQFN PACKAGE (LAND-PATTERN)**



**RECOMMENDED LAND PATTERN**

| Dimension Limits                 | Units | MILLIMETERS |       |      |
|----------------------------------|-------|-------------|-------|------|
|                                  |       | MIN         | NOM   | MAX  |
| Contact Pitch                    | E     | 0.40 BSC    |       |      |
| Optional Center Pad Width        | X2    |             |       | 8.10 |
| Optional Center Pad Length       | Y2    |             |       | 8.10 |
| Contact Pad Spacing              | C1    |             | 11.70 |      |
| Contact Pad Spacing              | C2    |             | 11.70 |      |
| Contact Pad Width (X100)         | X1    |             |       | 0.20 |
| Contact Pad Length (X100)        | Y1    |             |       | 1.05 |
| Contact Pad to Center Pad (X100) | G1    | 0.20        |       |      |
| Thermal Via Diameter             | V     |             | 0.33  |      |
| Thermal Via Pitch                | EV    |             | 1.20  |      |

**Notes:**

1. Dimensioning and tolerancing per ASME Y14.5M  
BSC: Basic Dimension. Theoretically exact value shown without tolerances.
2. For best soldering results, thermal vias, if used, should be filled or tented to avoid solder loss during reflow process

Microchip Technology Drawing C04-2407A

## APPENDIX A: REVISION HISTORY

TABLE A-1: REVISION HISTORY

| Revision Level & Date  | Section/Figure/Entry  | Correction   |
|------------------------|---|--|
| DS00002875C (10-20-20) | Cover   | <ul style="list-style-type: none"> <li>Added bullet: "Programming of firmware image to external SPI memory device from USB host."</li> <li>Updated "Configuration programming via OTP ROM..." to "Configuration programming via OTP Memory"</li> <li>Updated "Enhanced OEM configuration options available through either OTP or SPI ROM" to "Enhanced OEM configuration options available through either OTP or external SPI memory"</li> <li>Updated USB Type-C™ to a registered trademark, USB Type-C®</li> </ul> |
|                        | All   | Updated USB 3.1 references to USB 3.2 per latest USB IF guidelines.  |
|                        | All (Cover, <a href="#">Section 2.1, General Description</a> , <a href="#">Section 8.4, FlexConnect</a> ) | Added FlexConnect information.   |
|                        | <a href="#">Table 1-2</a>   | Added AIO buffer type.   |
|                        | <a href="#">Section 1.3, Pin Reset States</a>   | Added new pin reset state section/table.   |
|                        | <a href="#">Section 3.1, Pin Assignments</a>  | <ul style="list-style-type: none"> <li>Added pin reset states to pin table.</li> </ul>   |
|                        | <a href="#">Table 3-1, Pin Descriptions</a>   | <ul style="list-style-type: none"> <li>Added "If Unused" column and information.</li> <li></li> </ul>  |
|                        | <a href="#">Section 3.3.4, PF[31:3] Configuration (CFG_STRAP[2:1])</a>                                    | <ul style="list-style-type: none"> <li>Updated PF29 assignment.</li> </ul>   |
|                        | <a href="#">Table 3-6, Programmable Functions Descriptions</a>  | <ul style="list-style-type: none"> <li>Added pin reset states to programmable function descriptions.</li> </ul>  |
|                        | <a href="#">Section 5.1.7, OTP Configuration Stage (CFG_OTP)</a>  | Added note.  |
|                        | <a href="#">Section 7.1, SPI/SQI Master Interface</a>   | Added new second paragraph.  |
|                        | <a href="#">Section 8.2.1, Port Power Control using USB Power Switch</a>                                  | Added note after first paragraph.  |
|                        | <a href="#">Section 8.2.2, Port Power Control using Poly Fuse</a>   | Added note after first paragraph.  |
|                        | <a href="#">Section 8.4, FlexConnect</a>  | Updated note.  |
|                        | <a href="#">Section 9.1, Absolute Maximum Ratings*</a>  | Added HBM ESD information.   |

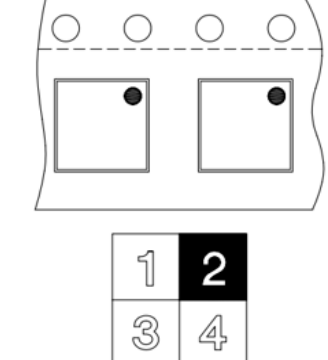
# USB7206

**TABLE A-1: REVISION HISTORY (CONTINUED)**

| Revision Level & Date  | Section/Figure/Entry   | Correction  |
|------------------------|--|---|
|                        | <a href="#">Section 9.2, Operating Conditions**</a>  | <ul style="list-style-type: none"> <li>Revised Digital Code and 3.3V supply voltage rise times.</li> <li>Added note under <a href="#">Figure 9-1</a></li> </ul>                           |
|                        | <a href="#">Section 9.4, Power Consumption</a>   | Updated power consumption data.   |
|                        | <a href="#">Section 9.5, DC Specifications</a>   | <ul style="list-style-type: none"> <li>Updated I type buffer <math>V_{IL}</math> and <math>V_{IH}</math> values.</li> <li>Updated ICLK buffer type <math>V_{IH}</math> values.</li> </ul> |
|                        | <a href="#">Section 9.6.1, Power Supply and RESET_N Sequence Timing</a>  | Updated description.  |
|                        | <a href="#">Section 9.6.4, Power-On or Reset to SMBus Slave Ready Timing</a> and <a href="#">Section 9.6.5, USB Attach Command to SMBus Slave Ready Timing</a> | Added new sections.   |
| DS00002875B (11-01-19) | <a href="#">Section 1.4, Reference Documents</a>   | Corrected I2S link  |
|                        | Cover  | Updated Highlight bullets to include “Gen 2” in description of Type-C support.  |
|                        | All  | Updated all “VDD11” and “+1.1V” references to “VCORE” for consistency and clarity. Updated VCORE pin description.   |
|                        | <a href="#">Section 9.4, Power Consumption</a>   | Added power numbers.  |
|                        | <a href="#">Section 10.1, Package Marking Information</a>  | Added package marking information.  |
|                        | <a href="#">Table 3-4, Table 3-5</a>   | Changed “Configuration 1” references to “Configuration 3”. Added note under table indicating Configuration 1 and 2 are not used in the USB7206.   |
|                        | <a href="#">Section 3.2, Pin Descriptions</a>  | Updated <b>VBUS_DET</b> description with additional voltage divider information and figure.   |
|                        | <a href="#">Section 3.4, Physical and Logical Port Mapping</a>   | Added new section with physical and logical port mapping.   |
|                        | <a href="#">Figure 2-1</a>   | Updated internal PHY numbering to match physical port numbering detailed in new <a href="#">Section 3.4, Physical and Logical Port Mapping</a> .  |
|                        | <a href="#">Section 2.1, General Description</a>   | Corrected Port Split description to indicate support on ports 3, 4, and 5.  |
|                        | <a href="#">Section 9.6.1, Power Supply and RESET_N Sequence Timing</a>  | Clarified section and added links to the rise time information in <a href="#">Section 9.2, Operating Conditions**</a> .   |
|                        | <a href="#">Section 9.7.2, External Reference Clock (CLK_IN)</a>   | Clarified first sentence.   |
|                        | <a href="#">Section 9.6.9, I2S Timing</a>  | Corrected hyperlink.  |
| DS00002875A (01-15-19) | All  | Initial Release   |

## PRODUCT IDENTIFICATION SYSTEM

To order or obtain information, e.g., on pricing or delivery, refer to the factory or the listed sales office.

| <u>PART NO.</u>  | [X] <sup>(1)</sup>   | - | [X]  | / | XXX                                |
|--|--|---|--|---|------------------------------------|
| Device   | Tape and Reel Option   |   | Temperature Range  |   | Package                            |
| <b>Device:</b> USB7206   | <b>Tape and Reel Option:</b> Blank = Standard packaging (tray)<br>T = Tape and Reel (Note 1) |   | <b>Temperature Range:</b> Blank = 0°C to +70°C (Commercial)<br>I = -40°C to +85°C (Industrial) |   | <b>Package:</b> KDX = 100-pin VQFN |
| <div style="display: flex; align-items: center; justify-content: center; margin-bottom: 10px;"> <span style="font-size: 2em; margin-right: 10px;">→</span> </div> <p style="text-align: center; margin-bottom: 10px;"><b>DIRECTION OF UNREELING</b></p>  |  |   |  |   |                                    |

**Examples:**

- a) USB7206/KDX  
Tray, 0°C to +70°C, 100-pin VQFN
- b) USB7206T/KDX  
Tape & reel, 0°C to +70°C, 100-pin VQFN
- c) USB7206-I/KDX  
Tray, -40°C to +85°C, 100-pin VQFN
- d) USB7206T-I/KDX  
Tape & reel, -40°C to +85°C, 100-pin VQFN

**Note 1:** Tape and Reel identifier only appears in the catalog part number description. This identifier is used for ordering purposes and is not printed on the device package. Check with your Microchip Sales Office for package availability with the Tape and Reel option.

## THE MICROCHIP WEB SITE

Microchip provides online support via our WWW site at [www.microchip.com](http://www.microchip.com). This web site is used as a means to make files and information easily available to customers. Accessible by using your favorite Internet browser, the web site contains the following information:

- **Product Support** – Data sheets and errata, application notes and sample programs, design resources, user's guides and hardware support documents, latest software releases and archived software
- **General Technical Support** – Frequently Asked Questions (FAQ), technical support requests, online discussion groups, Microchip consultant program member listing
- **Business of Microchip** – Product selector and ordering guides, latest Microchip press releases, listing of seminars and events, listings of Microchip sales offices, distributors and factory representatives

## CUSTOMER CHANGE NOTIFICATION SERVICE

Microchip's customer notification service helps keep customers current on Microchip products. Subscribers will receive e-mail notification whenever there are changes, updates, revisions or errata related to a specified product family or development tool of interest.

To register, access the Microchip web site at [www.microchip.com](http://www.microchip.com). Under "Support", click on "Customer Change Notification" and follow the registration instructions.

## CUSTOMER SUPPORT

Users of Microchip products can receive assistance through several channels:

- Distributor or Representative
- Local Sales Office
- Field Application Engineer (FAE)
- Technical Support

Customers should contact their distributor, representative or Field Application Engineer (FAE) for support. Local sales offices are also available to help customers. A listing of sales offices and locations is included in the back of this document.

**Technical support is available through the web site at: <http://microchip.com/support>**

---

**Note the following details of the code protection feature on Microchip devices:**

- Microchip products meet the specifications contained in their particular Microchip Data Sheet.
- Microchip believes that its family of products is secure when used in the intended manner and under normal conditions.
- There are dishonest and possibly illegal methods being used in attempts to breach the code protection features of the Microchip devices. We believe that these methods require using the Microchip products in a manner outside the operating specifications contained in Microchip's Data Sheets. Attempts to breach these code protection features, most likely, cannot be accomplished without violating Microchip's intellectual property rights.
- Microchip is willing to work with any customer who is concerned about the integrity of its code.
- Neither Microchip nor any other semiconductor manufacturer can guarantee the security of its code. Code protection does not mean that we are guaranteeing the product is "unbreakable." Code protection is constantly evolving. We at Microchip are committed to continuously improving the code protection features of our products. Attempts to break Microchip's code protection feature may be a violation of the Digital Millennium Copyright Act. If such acts allow unauthorized access to your software or other copyrighted work, you may have a right to sue for relief under that Act.

---

Information contained in this publication is provided for the sole purpose of designing with and using Microchip products. Information regarding device applications and the like is provided only for your convenience and may be superseded by updates. It is your responsibility to ensure that your application meets with your specifications.

THIS INFORMATION IS PROVIDED BY MICROCHIP "AS IS". MICROCHIP MAKES NO REPRESENTATIONS OR WARRANTIES OF ANY KIND WHETHER EXPRESS OR IMPLIED, WRITTEN OR ORAL, STATUTORY OR OTHERWISE, RELATED TO THE INFORMATION INCLUDING BUT NOT LIMITED TO ANY IMPLIED WARRANTIES OF NON-INFRINGEMENT, MERCHANTABILITY, AND FITNESS FOR A PARTICULAR PURPOSE OR WARRANTIES RELATED TO ITS CONDITION, QUALITY, OR PERFORMANCE.

IN NO EVENT WILL MICROCHIP BE LIABLE FOR ANY INDIRECT, SPECIAL, PUNITIVE, INCIDENTAL OR CONSEQUENTIAL LOSS, DAMAGE, COST OR EXPENSE OF ANY KIND WHATSOEVER RELATED TO THE INFORMATION OR ITS USE, HOWEVER FULLEST EXTENT ALLOWED BY LAW, MICROCHIP'S TOTAL LIABILITY ON ALL CLAIMS IN ANY WAY RELATED TO THE INFORMATION OR ITS USE WILL NOT EXCEED THE AMOUNT OF FEES, IF ANY, THAT YOU HAVE PAID DIRECTLY TO MICROCHIP FOR THE INFORMATION. Use of Microchip devices in life support and/or safety applications is entirely at the buyer's risk, and the buyer agrees to defend, indemnify and hold harmless Microchip from any and all damages, claims, suits, or expenses resulting from such use. No licenses are conveyed, implicitly or otherwise, under any Microchip intellectual property rights unless otherwise stated.

**Trademarks**

The Microchip name and logo, the Microchip logo, Adaptec, AnyRate, AVR, AVR logo, AVR Freaks, BesTime, BitCloud, chipKIT, chipKIT logo, CryptoMemory, CryptoRF, dsPIC, FlashFlex, flexPWR, HELDO, IGLOO, JukeBlox, KeeLoq, Klear, LANCheck, LinkMD, maXStylus, maXTouch, MediaLB, megaAVR, Microsemi, Microsemi logo, MOST, MOST logo, MPLAB, OptoLyzer, PackeTime, PIC, picoPower, PICSTART, PIC32 logo, PolarFire, Prochip Designer, QTouch, SAM-BA, SenGenuity, SpyNIC, SST, SST Logo, SuperFlash, Symmetricom, SyncServer, Tachyon, TimeSource, tinyAVR, UN/I/O, Vectron, and XMEGA are registered trademarks of Microchip Technology Incorporated in the U.S.A. and other countries.

AgileSwitch, APT, ClockWorks, The Embedded Control Solutions Company, EtherSynch, FlashTec, Hyper Speed Control, HyperLight Load, IntelliMOS, Libero, motorBench, mTouch, Powermite 3, Precision Edge, ProASIC, ProASIC Plus, ProASIC Plus logo, Quiet-Wire, SmartFusion, SyncWorld, Temux, TimeCesium, TimeHub, TimePictra, TimeProvider, WinPath, and ZL are registered trademarks of Microchip Technology Incorporated in the U.S.A.

Adjacent Key Suppression, AKS, Analog-for-the-Digital Age, Any Capacitor, AnyIn, AnyOut, Augmented Switching, BlueSky, BodyCom, CodeGuard, CryptoAuthentication, CryptoAutomotive, CryptoCompanion, CryptoController, dsPICDEM, dsPICDEM.net, Dynamic Average Matching, DAM, ECAN, Espresso T1S, EtherGREEN, IdealBridge, In-Circuit Serial Programming, ICSP, INICnet, Intelligent Paralleling, Inter-Chip Connectivity, JitterBlocker, maxCrypto, maxView, memBrain, Mindi, MiWi, MPASM, MPF, MPLAB Certified logo, MPLIB, MPLINK, MultiTRAK, NetDetach, Omniscient Code Generation, PICDEM, PICDEM.net, PICKit, PICtail, PowerSmart, PureSilicon, QMatrix, REAL ICE, Ripple Blocker, RTAX, RTG4, SAM-ICE, Serial Quad I/O, simpleMAP, SimpliPHY, SmartBuffer, SMART-I.S., storClad, SQI, SuperSwitcher, SuperSwitcher II, Switchtec, SynchroPHY, Total Endurance, TSHARC, USBCheck, VariSense, VectorBlox, VeriPHY, ViewSpan, WiperLock, XpressConnect, and ZENA are trademarks of Microchip Technology Incorporated in the U.S.A. and other countries.

SQTP is a service mark of Microchip Technology Incorporated in the U.S.A.

The Adaptec logo, Frequency on Demand, Silicon Storage Technology, and Symmcom are registered trademarks of Microchip Technology Inc. in other countries.

GestIC is a registered trademark of Microchip Technology Germany II GmbH & Co. KG, a subsidiary of Microchip Technology Inc., in other countries.

All other trademarks mentioned herein are property of their respective companies.

© 2018 - 2020, Microchip Technology Incorporated, All Rights Reserved.

ISBN: 9781522463535

For information regarding Microchip's Quality Management Systems, please visit [www.microchip.com/quality](http://www.microchip.com/quality).



## Worldwide Sales and Service

### AMERICAS

**Corporate Office**  
2355 West Chandler Blvd.  
Chandler, AZ 85224-6199  
Tel: 480-792-7200  
Fax: 480-792-7277  
Technical Support:  
<http://www.microchip.com/support>  
Web Address:  
[www.microchip.com](http://www.microchip.com)

**Atlanta**  
Duluth, GA  
Tel: 678-957-9614  
Fax: 678-957-1455

**Austin, TX**  
Tel: 512-257-3370

**Boston**  
Westborough, MA  
Tel: 774-760-0087  
Fax: 774-760-0088

**Chicago**  
Itasca, IL  
Tel: 630-285-0071  
Fax: 630-285-0075

**Dallas**  
Addison, TX  
Tel: 972-818-7423  
Fax: 972-818-2924

**Detroit**  
Novi, MI  
Tel: 248-848-4000

**Houston, TX**  
Tel: 281-894-5983

**Indianapolis**  
Noblesville, IN  
Tel: 317-773-8323  
Fax: 317-773-5453  
Tel: 317-536-2380

**Los Angeles**  
Mission Viejo, CA  
Tel: 949-462-9523  
Fax: 949-462-9608  
Tel: 951-273-7800

**Raleigh, NC**  
Tel: 919-844-7510

**New York, NY**  
Tel: 631-435-6000

**San Jose, CA**  
Tel: 408-735-9110  
Tel: 408-436-4270

**Canada - Toronto**  
Tel: 905-695-1980  
Fax: 905-695-2078

### ASIA/PACIFIC

**Australia - Sydney**  
Tel: 61-2-9868-6733

**China - Beijing**  
Tel: 86-10-8569-7000

**China - Chengdu**  
Tel: 86-28-8665-5511

**China - Chongqing**  
Tel: 86-23-8980-9588

**China - Dongguan**  
Tel: 86-769-8702-9880

**China - Guangzhou**  
Tel: 86-20-8755-8029

**China - Hangzhou**  
Tel: 86-571-8792-8115

**China - Hong Kong SAR**  
Tel: 852-2943-5100

**China - Nanjing**  
Tel: 86-25-8473-2460

**China - Qingdao**  
Tel: 86-532-8502-7355

**China - Shanghai**  
Tel: 86-21-3326-8000

**China - Shenyang**  
Tel: 86-24-2334-2829

**China - Shenzhen**  
Tel: 86-755-8864-2200

**China - Suzhou**  
Tel: 86-186-6233-1526

**China - Wuhan**  
Tel: 86-27-5980-5300

**China - Xian**  
Tel: 86-29-8833-7252

**China - Xiamen**  
Tel: 86-592-2388138

**China - Zhuhai**  
Tel: 86-756-3210040

### ASIA/PACIFIC

**India - Bangalore**  
Tel: 91-80-3090-4444

**India - New Delhi**  
Tel: 91-11-4160-8631

**India - Pune**  
Tel: 91-20-4121-0141

**Japan - Osaka**  
Tel: 81-6-6152-7160

**Japan - Tokyo**  
Tel: 81-3-6880-3770

**Korea - Daegu**  
Tel: 82-53-744-4301

**Korea - Seoul**  
Tel: 82-2-554-7200

**Malaysia - Kuala Lumpur**  
Tel: 60-3-7651-7906

**Malaysia - Penang**  
Tel: 60-4-227-8870

**Philippines - Manila**  
Tel: 63-2-634-9065

**Singapore**  
Tel: 65-6334-8870

**Taiwan - Hsin Chu**  
Tel: 886-3-577-8366

**Taiwan - Kaohsiung**  
Tel: 886-7-213-7830

**Taiwan - Taipei**  
Tel: 886-2-2508-8600

**Thailand - Bangkok**  
Tel: 66-2-694-1351

**Vietnam - Ho Chi Minh**  
Tel: 84-28-5448-2100

### EUROPE

**Austria - Wels**  
Tel: 43-7242-2244-39  
Fax: 43-7242-2244-393

**Denmark - Copenhagen**  
Tel: 45-4485-5910  
Fax: 45-4485-2829

**Finland - Espoo**  
Tel: 358-9-4520-820

**France - Paris**  
Tel: 33-1-69-53-63-20  
Fax: 33-1-69-30-90-79

**Germany - Garching**  
Tel: 49-8931-9700

**Germany - Haan**  
Tel: 49-2129-3766400

**Germany - Heilbronn**  
Tel: 49-7131-72400

**Germany - Karlsruhe**  
Tel: 49-721-625370

**Germany - Munich**  
Tel: 49-89-627-144-0  
Fax: 49-89-627-144-44

**Germany - Rosenheim**  
Tel: 49-8031-354-560

**Israel - Ra'anana**  
Tel: 972-9-744-7705

**Italy - Milan**  
Tel: 39-0331-742611  
Fax: 39-0331-466781

**Italy - Padova**  
Tel: 39-049-7625286

**Netherlands - Drunen**  
Tel: 31-416-690399  
Fax: 31-416-690340

**Norway - Trondheim**  
Tel: 47-7288-4388

**Poland - Warsaw**  
Tel: 48-22-3325737

**Romania - Bucharest**  
Tel: 40-21-407-87-50

**Spain - Madrid**  
Tel: 34-91-708-08-90  
Fax: 34-91-708-08-91

**Sweden - Gothenberg**  
Tel: 46-31-704-60-40

**Sweden - Stockholm**  
Tel: 46-8-5090-4654

**UK - Wokingham**  
Tel: 44-118-921-5800  
Fax: 44-118-921-5820



## X-ON Electronics

Largest Supplier of Electrical and Electronic Components

*Click to view similar products for [USB Interface IC](#) category:*

*Click to view products by [Microchip](#) manufacturer:*

Other Similar products are found below :

[CY7C69356-48LTXC](#) [USB3319C-GJ-TR](#) [USB3370B-EZK-TR](#) [CYPD2120-24LQXI](#) [CYPD2122-20FNXIT](#) [CYPD2122-24LQXIT](#) [LIF-UC120-SWG36ITR50](#) [UPD360-A/6HX](#) [CP2102NP1174GM](#) [DPO2039DABQ-13](#) [CY7C68034-56LTXC](#) [TUSB212RWBT](#) [TUSB213IRGYT](#) [TUSB213RGYT](#) [USB3503T-I/ML](#) [CY7C63310-SXC](#) [USB3316C-CP-TR](#) [USB3250-ABZJ](#) [MAX3107ETG+](#) [MAX14632EZK+T](#) [USB3300-EZK](#) [LAN9514-JZX](#) [CYPD2120-24LQXIT](#) [MAX3100CEE+T](#) [USB5806/KD](#) [USB5826-I/KD](#) [USB5826/KD](#) [USB5906/KD](#) [USB5916/KD](#) [USB5926/KD](#) [TUSB215QRGYTQ1](#) [NB7NPQ701MMTTBG](#) [TUSB213RGYR](#) [USB5926-I/KD](#) [USB5906-I/KD](#) [USB4640I-HZH-03](#) [CY7C63813-SXC](#) [CY7C63823-SXC](#) [CY7C64215-28PVXC](#) [CY7C68013A-128AXC](#) [CY7C68013A-56LTXC](#) [CY7C68013A-56LTXI](#) [CY7C68013A-56PVXC](#) [CY7C68013A-56PVXI](#) [CYPD1120-40LQXI](#) [AP43771VDKZ-13](#) [AP43771VFBZ-13](#) [DIO32320MP10](#) [HT42B534-2](#) [FT200XD-R](#)