

---

---

## Basic USB Type-C™ Controller

---

---

### Highlights

- Transition any existing USB Type-A design to a USB Type-C™ Downstream Facing Port or any existing Type-B design to a USB Type-C Upstream Facing Port
- Leverage the USB Type-C reversible cable and compact form factor
- For use with USB 2.0, USB 3.0 or USB 3.1
- Supports legacy, 1.5A, & 3.0A USB Type-C charging profiles
- Compact 3 x 3mm 16-pin QFN package
- Commercial, industrial, and automotive extended temperature support
- Requires minimal design effort

### Target Applications

- Laptops
- Desktop PCs
- Monitors
- USB Hubs
- USB Wall Chargers
- Industrial
- Automotive

### Key Benefits

- USB Type-C cable connection and orientation detection
- Orientation detection indicator for optional USB switch control
- Powered cable detection with VCONN powered cable supply control
- **CFG\_SEL** pin configurable charging profiles:
  - 5V Legacy DFP mode (500mA for USB 2.0, 900mA for USB 3.0/USB 3.1)
  - 5V @ 1.5A DFP mode
  - 5V @ 3.0A DFP mode
  - UFP mode
- **ENABLE** pin for host/hub port control
- **VMON** pin monitors VBUS overvoltage conditions
- USB Type-C Audio Adapter detection and control
- **OCS#** fault input pin
- **FAULT\_IND** fault indicator output pin
- Operating Voltage Range:
  - 4.5V to 5.5V
- Package
  - 16-pin QFN (3 x 3 x 0.9mm)
- Environmental
  - Commercial temperature range (0°C to +70°C)
  - Industrial temperature range (-40°C to +85°C)
  - Extended temperature range (-40°C to +125°C)

## TO OUR VALUED CUSTOMERS

It is our intention to provide our valued customers with the best documentation possible to ensure successful use of your Microchip products. To this end, we will continue to improve our publications to better suit your needs. Our publications will be refined and enhanced as new volumes and updates are introduced.

If you have any questions or comments regarding this publication, please contact the Marketing Communications Department via E-mail at [docerrors@microchip.com](mailto:docerrors@microchip.com) or fax the **Reader Response Form** in the back of this data sheet to (480) 792-4150. We welcome your feedback.

### Most Current Data Sheet

To obtain the most up-to-date version of this data sheet, please register at our Worldwide Web site at:

<http://www.microchip.com>

You can determine the version of a data sheet by examining its literature number found on the bottom outside corner of any page. The last character of the literature number is the version number, (e.g., DS30000A is version A of document DS30000).

### Errata

An errata sheet, describing minor operational differences from the data sheet and recommended workarounds, may exist for current devices. As device/documentation issues become known to us, we will publish an errata sheet. The errata will specify the revision of silicon and revision of document to which it applies.

To determine if an errata sheet exists for a particular device, please check with one of the following:

- Microchip's Worldwide Web site; <http://www.microchip.com>
- Your local Microchip sales office (see last page)

When contacting a sales office, please specify which device, revision of silicon and data sheet (include literature number) you are using.

### Customer Notification System

Register on our web site at [www.microchip.com](http://www.microchip.com) to receive the most current information on all of our products.

## Table of Contents

1.0 Introduction .....	4
2.0 Pin Descriptions .....	7
3.0 Functional Description .....	11
4.0 Operational Characteristics .....	19
5.0 UTC2000 System Application .....	23
6.0 Packaging Information .....	32
Appendix A: Data Sheet Revision History .....	36
The Microchip Web Site .....	38
Customer Change Notification Service .....	38
Customer Support .....	38
Product Identification System .....	39

# UTC2000

---

## 1.0 INTRODUCTION

### 1.1 General Description

The USB Type-C™ Specification was introduced in August 2014 and substantially expands the capabilities of USB. The key new features include:

- New Connector
  - Smaller Form Factor
  - 24 Pins
  - Reversible Insertion
- Simplified Current Capability Marking
  - Resistor-divider implementation instead of DP/DM “handshake”

The Microchip UTC2000 USB Type-C controller targets designers who wish to gain the benefits of the small, reversible form factor and elevated charging current abilities of a USB Type-C solution while minimally impacting the overall cost per port.

The UTC2000 USB Type-C controller is a cost-effective, simple solution that facilitates rapid migration of legacy USB 2.0/3.0 designs to the USB Type-C connector. The UTC2000 controller is designed for USB 2.0/3.0 Downstream Facing Port (DFP) and Upstream Facing Port (UFP) applications and performs all of the necessary detection and control required for implementing a basic USB Type-C connector. The UTC2000 features ADCs that monitor the CC1 and CC2 pins of the USB Type-C receptacle to detect various connection events.

In a DFP application, passive cables, powered cables, and USB audio adapters can all be detected. Controls for enabling a USB +5V port power switch, VCONN 5V active cable supply, and audio adapter enable are all included. Additional features include host enable control and overcurrent detection.

In a UFP application, the UTC2000 detects a valid USB Type-C connection, the plug orientation, and the charging capability of the DFP. The UTC2000 also monitors VBUS to ensure a valid VBUS range and detected overcurrent.

The UTC2000 can operate from a single 4.5V-5.5V supply and is available in commercial, industrial and extended temperature range options.

### 1.2 USB Type-C™ Downstream Facing Port (DFP) Implementation Overview

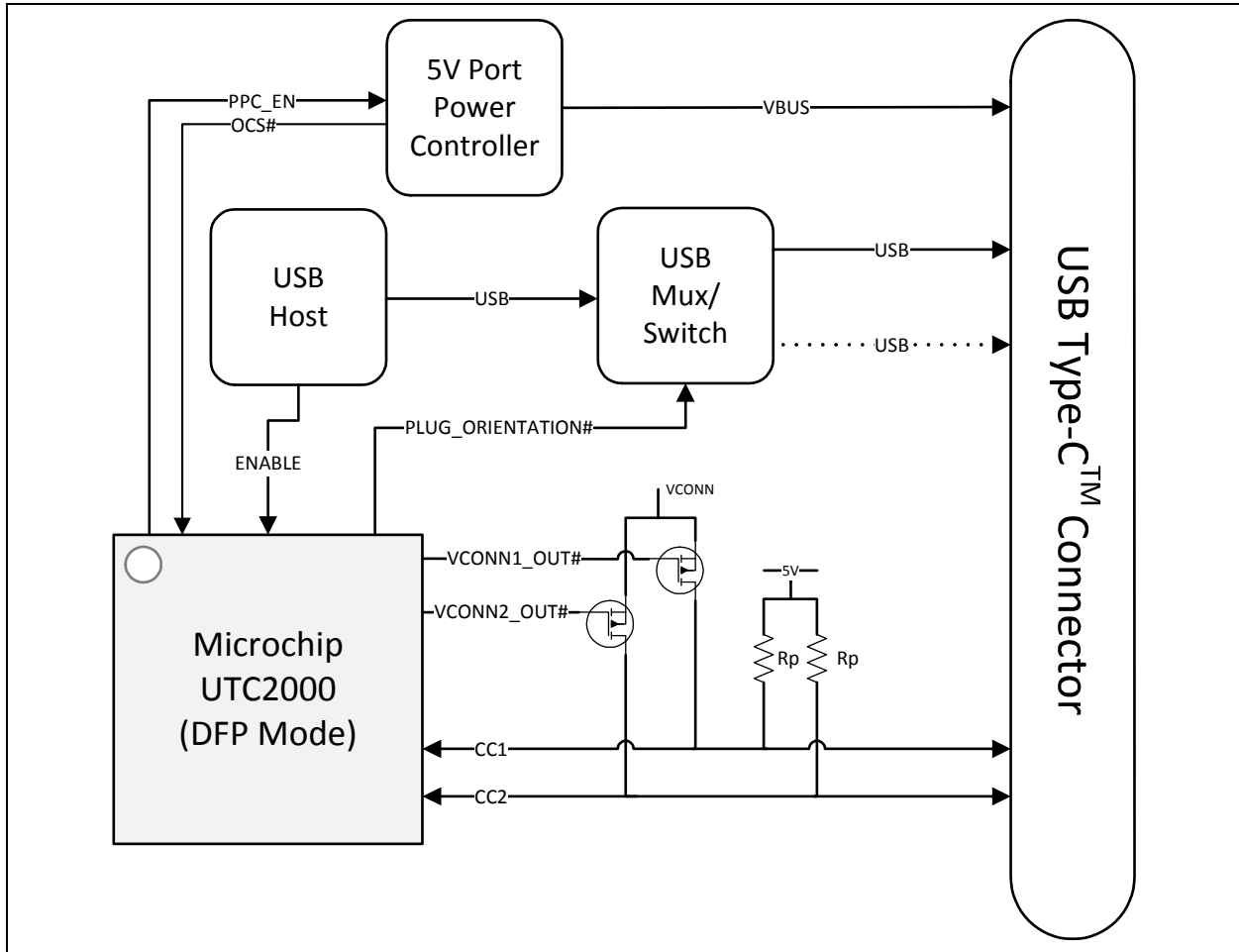
A UTC2000 Implementation of a DFP minimally requires 5 major components/circuitry blocks:

- Microchip UTC2000
- A USB 2.0 downstream port (USB 3.0/USB 3.1 may optionally be implemented based upon system requirements)
- A USB Type-C Receptacle
- A 5V Port Power Controller capable of supplying the advertised current capability (advertised with the value of  $R_p$  and the pull-up voltage)
- CC Pin Circuitry:
  - $R_p$  Pull-Up Resistors
  - VCONN Control/Switching

<p><b>Note:</b> A High-Speed or Super Speed USB switch is also recommended but optional. For USB 2.0 applications, this component may be omitted. For USB 3.0/USB 3.1 applications, this component may only be omitted if two USB 3.0/USB 3.1 downstream ports are dedicated for use on the USB Type-C port.</p>
--

A system diagram utilizing the UTC2000 in a DFP application is shown in [Figure 1-1](#).

**FIGURE 1-1: TYPICAL DFP APPLICATION BLOCK DIAGRAM**



### 1.3 Type-C Upstream Facing Port (UFP) Implementation Overview

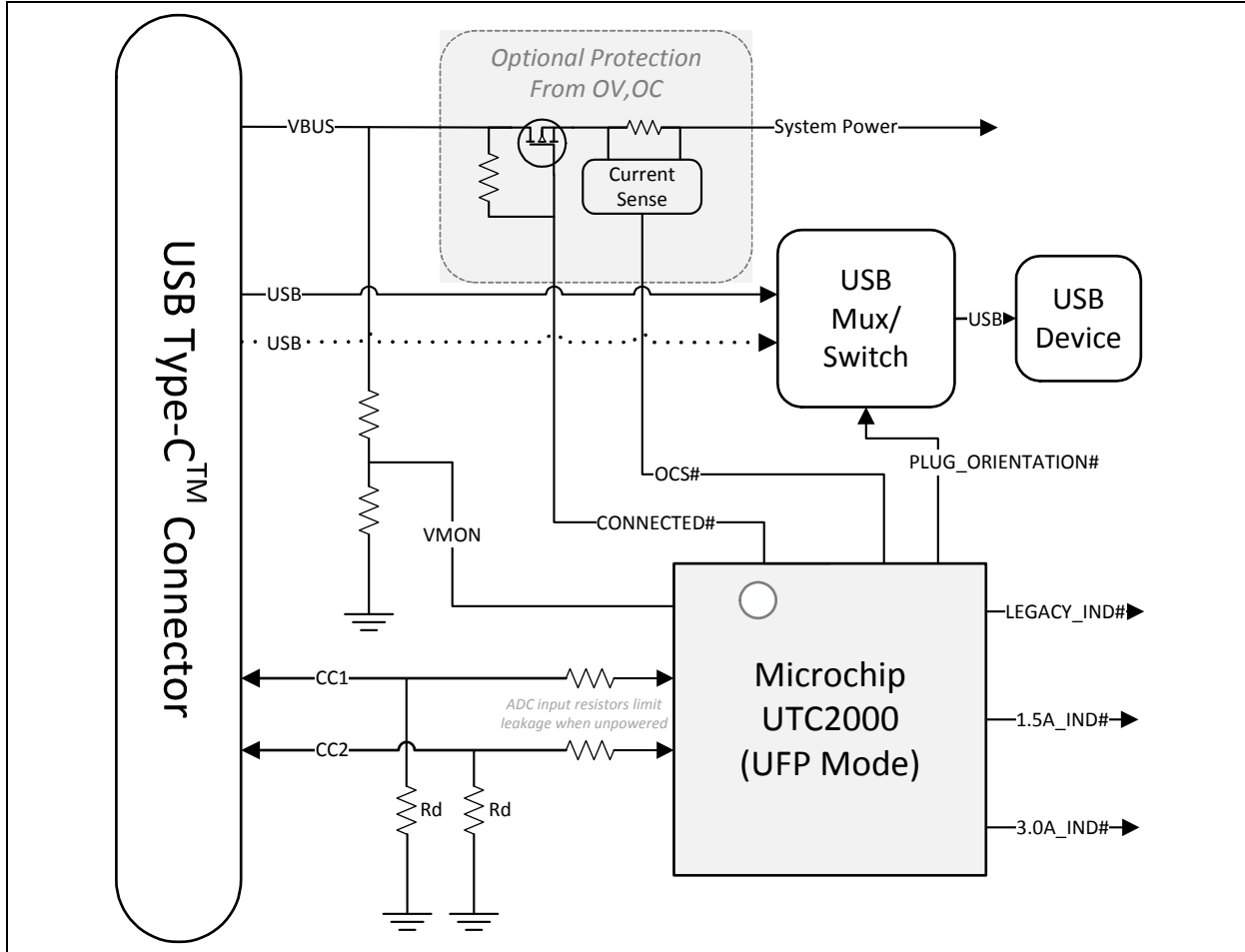
A UTC2000 Implementation of a UFP minimally requires 4 major components/circuitry blocks:

- Microchip UTC2000
- A USB 2.0 upstream port (USB 3.0/USB 3.1 may optionally be implemented based upon system requirements)
- A USB Type-C Receptacle
- CC Pin Circuitry:
  - Rd Pull-Down Resistors

**Note:** A High-Speed or Super Speed USB switch is also recommended but optional. For USB 2.0 applications, this component may be omitted. For USB 3.0/USB 3.1 applications, this component may not be omitted unless a Microchip Hub with FlexConnect is utilized. Refer to the Microchip USB5734 USB Type-C Evaluation Board for details on implementation.

A system diagram utilizing the UTC2000 in a UFP application is shown in [Figure 1-2](#).

**FIGURE 1-2: TYPICAL UFP APPLICATION BLOCK DIAGRAM**



## 1.4 Glossary of Terms

**TABLE 1-1: GLOSSARY OF TERMS**

Term	Definition
ADC	Analog to Digital Converter
AFE	Analog Front End
CC	Generic reference to USB Type-C™ Cable / Connector CC1/CC2 pins
DFP	Downstream Facing Port ( <i>USB Type-C Cable and Connector Specification</i> definition)
DRP	Dual Role Port ( <i>USB Type-C Cable and Connector Specification</i> definition)
Microchip	Microchip Technology Incorporated
POR	Power-On Reset
USB Type-C	USB Type-C Cable / Connector
UFP	Upstream Facing Port ( <i>USB Type-C Cable and Connector Specification</i> definition)

## 1.5 References

- USB Type-C™ Cable and Connector Specification: <http://www.usb.org/developers/docs/>

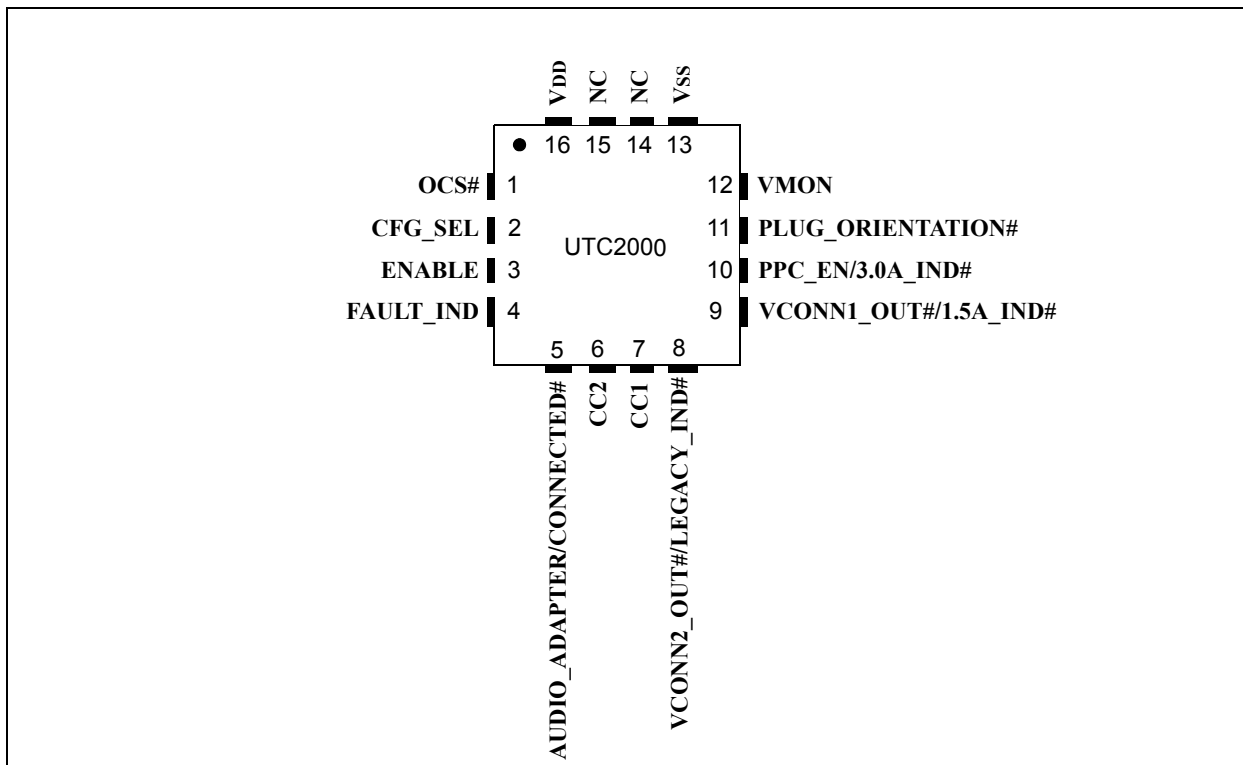
**Note:** USB Type-C™ and USB-C™ are trademarks of USB Implementers Forum.

## 2.0 PIN DESCRIPTIONS

The UTC2000 pin diagram can be seen in [Figure 2-1](#). [Table 2-1](#) provides a pin assignment table. Pin descriptions are provided in [Section 2.2 “Pin Descriptions”](#).

### 2.1 Pin Assignments

**FIGURE 2-1: PIN ASSIGNMENTS**



**TABLE 2-1: PIN ASSIGNMENTS**

Pin Number	Pin Name
1	OCS#
2	CFG_SEL
3	ENABLE
4	FAULT_IND
5	AUDIO_ADAPTER/CONNECTED#
6	CC2
7	CC1
8	VCONN2_OUT#/LEGACY_IND#
9	VCONN1_OUT#/1.5A_IND#
10	PPC_EN/3.0A_IND#
11	PLUG_ORIENTATION#
12	VMON
13	VSS
14	NC
15	NC
16	VDD

**Note 1:** The exposed pad should be connected to VSS.

# UTC2000

## 2.2 Pin Descriptions

TABLE 2-2: PIN DESCRIPTIONS

Name	Symbol	Buffer Type	Description
<b>Digital Inputs</b>			
Controller Enable	ENABLE	IS	<p>Active high enable signal. The UTC2000 will remain in its default, inactive state unless this pin is asserted high.</p> <p>If unused, tie this pin to <b>VDD</b> through a 10k<math>\Omega</math> pull-up resistor.</p>
Fault Input	OCS#	IS (PU)	<p>This active low signal is asserted by the +5V VBUS power supplying device to notify the UTC2000 when a system fault condition has occurred. Typically, this signal is used for overcurrent or overvoltage conditions, but it can be used for any system related failure.</p> <p>All digital control outputs will revert to their default, deasserted state when this pin is asserted. Normal operation will resume after deassertion of this pin.</p> <p>After any <b>OCS#</b> assertion, a fault flag will be set and the <b>FAULT_IND</b> pin will assert. This flag is only cleared after a device reset or power cycle.</p> <p>If unused, this pin can be left floating.</p>
<b>Analog Inputs</b>			
Configuration Selection	CFG_SEL	ADC	<p>This analog to digital converter pin is sampled at power-on at <a href="#">Vcfg_samp</a> to place the UTC2000 in either DFP or UFP mode.</p> <p>Once in UFP mode, the UTC2000 will always remain in UFP mode and can only switch to DFP mode after a power-on reset.</p> <p>Once in DFP mode, the UTC2000 can actively switch between 3.0A, 1.5A, or the default legacy (500mA USB 2.0, 900mA USB 3.0/USB 3.1) DFP modes without power cycling. When switching between DFP modes, the voltage thresholds and ranges for connection detection on the CC1/CC2 pins are modified accordingly.</p> <p>Refer to <a href="#">Table 3-1</a> for additional details.</p>
VBUS Voltage Monitor	VMON	ADC	<p>This analog to digital converter pin monitors the input voltage on the VBUS pin of the USB receptacle.</p> <p>The UTC2000 will enter the fault state and deassert all outputs if the voltage exceeds 0.8V on the VMON pin (&gt;6.4V as determined by external voltage divider. This threshold can be changed by the system designer by adjusting the values of the external voltage divider.).</p> <p>A fault flag will be set and the <b>FAULT_IND</b> will assert after any overvoltage occurrence. This flag is only cleared after a device reset or power cycle.</p> <p>This pin is required for UFP Modes. If unused in DFP Modes, tie this pin to GND through a 10k<math>\Omega</math> pull-down resistor.</p>



**TABLE 2-2: PIN DESCRIPTIONS (CONTINUED)**

Name	Symbol	Buffer Type	Description
CC1 Monitor	CC1	ADC	This analog to digital converter input pin monitors the USB Type-C™ CC1 signal to detect various USB Type-C connections.  Refer to <a href="#">Table 3-1</a> for additional details.
CC2 Monitor	CC2	ADC	This analog to digital converter input pin monitors the USB Type-C CC2 signal to detect various USB Type-C connections.  See <a href="#">Table 3-1</a> for additional details.
<b>Digital Outputs</b>			
+5V VBUS Power Supply Enable	PPC_EN	O25	<b>DFP Modes Only.</b> Active high output which controls the 5V supply to VBUS. This pin only asserts when a valid USB Type-C connection is detected.
Plug Orientation Indicator	PLUG_ORIENTATION#	OD25	This active low output pin indicates the USB Type-C cable plug orientation.  This pin remains high in the default unconnected state or when an Rd pull-down resistor is detected on CC1.  The pin will assert low when an Rd pull-down resistor is detected on CC2.
CC1 VCONN Supply Control	VCONN1_OUT#	OD25	<b>DFP Modes Only.</b> Open drain, active low VCONN supply control to CC1 for supplying 5V to active cable circuitry. See <a href="#">Section 3.4 “VCONN Supply Control (DFP Modes Only)”</a> for additional details.
CC2 VCONN Supply Control	VCONN2_OUT#	OD25	<b>DFP Modes Only.</b> Open drain, active low VCONN supply control to CC2 for supplying 5V to active cable circuitry. See <a href="#">Section 3.4 “VCONN Supply Control (DFP Modes Only)”</a> for additional details.
Audio Adapter Indicator and Control	AUDIO_ADAPTER	O25	<b>DFP Modes Only.</b> Active high pin which indicates the detection of a USB audio adapter device. This pin is intended to control a high speed USB and audio switch which toggles between standard USB 2.0 DP/DM Signaling and audio signaling.
Fault Indicator	FAULT_IND	O25	Active high fault indicator output. Output is asserted after an overcurrent event on <b>OCS#</b> is detected. Output is deasserted after toggling the ENABLE input pin or after a power-on reset.
Connected State Indicator	CONNECTED#	OD25	<b>UFP Mode Only.</b> Open drain pin which asserts when a valid USB Type-C connection is detected on the CC pin, and when VBUS is within the valid voltage range.
Legacy Charging Indicator	LEGACY_IND#	OD25	<b>UFP Mode Only.</b> Open drain pin which asserts low when a valid USB Type-C connection is detected and Legacy 500mA/900mA charging capability is detected.
1.5A Charging Indicator	1.5A_IND#	OD25	<b>UFP Mode Only.</b> Open drain pin which asserts low when a valid USB Type-C connection is detected and 1.5A USB Type-C charging capability is detected.
3.0A Charging Indicator	3.0A_IND#	OD25	<b>UFP Mode Only.</b> Open drain pin which asserts low when a valid USB Type-C connection is detected and 3.0A USB Type-C charging capability is detected.

# UTC2000

TABLE 2-2: PIN DESCRIPTIONS (CONTINUED)

Name	Symbol	Buffer Type	Description
<b>Power and Ground</b>			
Power	VDD	P	5.0V Power Input. A minimum of one 0.1 $\mu$ F bypass capacitor placed close to the pin is recommended.  The “high” level of all digital outputs will be equivalent to the <b>VDD</b> supply voltage.
Ground	VSS	P	Ground. The exposed pad must also be connected to <b>VSS</b> /ground.

## 2.3 Buffer Types

TABLE 2-3: BUFFER TYPES

Buffer Type	Description
ADC	Analog to digital input
IS	Schmitt-triggered input
O25	Output with 25mA sink and 25mA source
OD25	Open-drain output with 25mA sink
P	Power
PU	100 $\mu$ A (typical) internal pull-up.  <b>Note:</b> Internal pull-up resistors prevent unconnected inputs from floating. Do not rely on internal resistors to drive signals external to the device. When connected to a load that must be pulled high, an external resistor must be added.

**Note:** Refer to [Section 4.3, DC Characteristics](#) for electrical characteristics.

## 3.0 FUNCTIONAL DESCRIPTION

This chapter describes the functional descriptions for the following device sub-systems.

- [Section 3.1, Configuration Selection](#)
- [Section 3.2, DFP Modes Functional State Machine](#)
- [Section 3.3, UFP Mode Functional State Machine](#)
- [Section 3.4, VCONN Supply Control \(DFP Modes Only\)](#)
- [Section 3.5, USB Audio Adapter \(DFP Modes Only\)](#)
- [Section 3.6, UFP Mode Connection and Charging Capability Detection Indicator](#)
- [Section 3.7, Connection and Disconnection Detection Debounce](#)

### 3.1 Configuration Selection

The **CFG\_SEL** pin is sampled at power-on at **Vcfg\_samp** and the UTC2000 is placed in either UFP or DFP modes of operation.

If the **CFG\_SEL** pin is within one of the DFP mode ranges upon power-on, it will operate in DFP mode. While in DFP mode, the **CFG\_SEL** pin is constantly monitored and can be placed in any of the DFP modes at any time by the system controller. Switching from DFP to UFP modes cannot be achieved without a power-on reset. [Table 3-1](#) displays the voltage ranges for the DFP profile.

If the **CFG\_SEL** pin is within the UFP mode range upon power-on, it will operate in UFP mode. For UFP designs, it is recommended to tie **CFG\_SEL** to VDD through a pull-up resistor to ensure that UFP mode is entered when VDD crosses the POR threshold. Switching from UFP to DFP modes cannot be achieved without a power-on reset. [Table 3-2](#) displays the voltage ranges for the UFP profile.

**TABLE 3-1: DFP CONFIGURATION SELECTION VOLTAGE MONITORING THRESHOLDS**

CFG_SEL Voltage	Profile	CC1/CC2 No Connection Voltage Range	CC1/CC2 Rd Detection Voltage Range	CC1/CC2 Ra Detection Voltage Range
1.2V - 1.3V	3A Capable DFP	5.0V - 2.75V	2.60V - 0.85V	0.80V - 0.00V
0.7V - 0.8V	1.5A Capable DFP	5.0V - 1.65V	1.60V - 0.45V	0.40V - 0.00V
0.0V - 0.30V	Default Legacy USB Capable DFP	5.0V - 1.65V	1.60V - 0.25V	0.20V - 0.00V

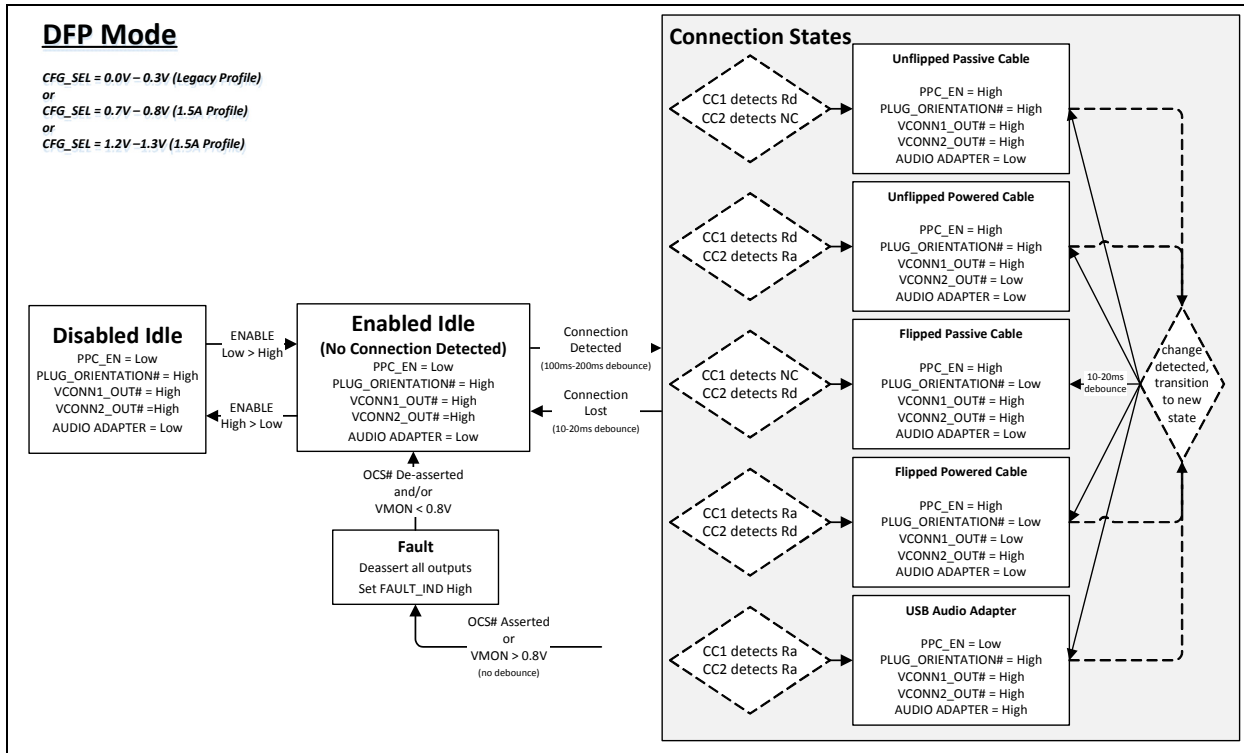
**TABLE 3-2: UFP CONFIGURATION SELECTION VOLTAGE MONITORING THRESHOLDS**

CFG_SEL Voltage	No Connection Voltage Range	CC1/CC2 Legacy Charging Connection Voltage Range	CC1/CC2 1.5A Charging Connection Voltage Range	CC1/CC2 3.0A Charging Connection Voltage Range
1.75V - VDD	0.0V - 0.25V	0.25V - 0.70V	0.70V-1.31V	> 1.31V

## 3.2 DFP Modes Functional State Machine

A visual representation of the UTC2000 DFP state machine behavior is shown in Figure 3-1. The various states are detailed in the following sub-sections.

**FIGURE 3-1: DFP MODES STATE MACHINE DIAGRAM**



### 3.2.1 DISABLED IDLE

The UTC2000 will remain in a disabled, inactive state if **ENABLE** is asserted low, or the voltage on **CFG\_SEL** is not within a valid configuration range.

While in this state, the state of the digital outputs are as follows:

- **PPC\_EN**: Low
- **PLUG\_ORIENTATION#**: High
- **VCONN1\_OUT#**: High
- **VCONN2\_OUT#**: High
- **AUDIO\_ADAPTER**: Low

### 3.2.2 ENABLED IDLE

If both **ENABLE** is asserted high and **CFG\_SEL** is in a valid configuration range, the UTC2000 will actively monitor the **CC1** and **CC2** pins for a connect event.

While in this state, the state of the digital outputs are as follows:

- **PPC\_EN**: Low
- **PLUG\_ORIENTATION#**: High
- **VCONN1\_OUT#**: High
- **VCONN2\_OUT#**: High
- **AUDIO\_ADAPTER**: Low

### 3.2.3 CONNECTED (UNFLIPPED PASSIVE CABLE)

If both **ENABLE** is asserted high and **CFG\_SEL** is in a valid configuration range and an Rd pull-down resistor is sensed on the **CC1** pin, the UTC2000 will enter the “CONNECTED (UNFLIPPED PASSIVE CABLE)” state.

While in this state, the state of the digital outputs are as follows:

- **PPC\_EN**: High
- **PLUG\_ORIENTATION#**: High
- **VCONN1\_OUT#**: High
- **VCONN2\_OUT#**: High
- **AUDIO\_ADAPTER**: Low

### 3.2.4 CONNECTED (UNFLIPPED ACTIVE CABLE)

If **ENABLE** is asserted high, **CFG\_SEL** is in a valid configuration range, an Rd pull-down resistor is sensed on the **CC1** pin, and an Ra pull-down resistor is sensed on the **CC2** pin, the UTC2000 will enter the “CONNECTED (UNFLIPPED ACTIVE CABLE)” state.

While in this state, the state of the digital outputs are as follows:

- **PPC\_EN**: High
- **PLUG\_ORIENTATION#**: High
- **VCONN1\_OUT#**: High
- **VCONN2\_OUT#**: Low
- **AUDIO\_ADAPTER**: Low

### 3.2.5 CONNECTED (FLIPPED PASSIVE CABLE)

If both **ENABLE** is asserted high and **CFG\_SEL** is in a valid configuration range and an Rd pull-down resistor is sensed on the **CC2** pin, the UTC2000 will enter the “CONNECTED (FLIPPED PASSIVE CABLE)” state.

While in this state, the state of the digital outputs are as follows:

- **PPC\_EN**: High
- **PLUG\_ORIENTATION#**: Low
- **VCONN1\_OUT#**: High
- **VCONN2\_OUT#**: High
- **AUDIO\_ADAPTER**: Low

### 3.2.6 CONNECTED (FLIPPED ACTIVE CABLE)

If **ENABLE** is asserted high, **CFG\_SEL** is in a valid configuration range, an Rd pull-down resistor is sensed on the **CC2** pin, and an Ra pull-down resistor is sensed on the **CC1** pin, the UTC2000 will enter the “CONNECTED (UNFLIPPED ACTIVE CABLE)” state.

While in this state, the state of the digital outputs are as follows:

- **PPC\_EN**: High
- **PLUG\_ORIENTATION#**: Low
- **VCONN1\_OUT#**: Low
- **VCONN2\_OUT#**: High
- **AUDIO\_ADAPTER**: Low

# UTC2000

---

## 3.2.7 CONNECTED (USB AUDIO ADAPTER)

If **ENABLE** is asserted high, **CFG\_SEL** is in a valid configuration range, and **Ra** pull-down resistors are sensed on both **CC1** and **CC2** pins the UTC2000 will enter the “CONNECTED (UNFLIPPED ACTIVE CABLE)” state.

**Note:** A typical USB audio adapter device will simply short **CC1** and **CC2** to ground. This implementation is functionally equivalent to using two **Ra** resistors.

While in this state, the state of the digital outs are as follows:

- **PPC\_EN**: Low
- **PLUG\_ORIENTATION#**: High
- **VCONN1\_OUT#**: High
- **VCONN2\_OUT#**: High
- **AUDIO\_ADAPTER**: High

## 3.2.8 FAULT (OVERCURRENT OR OVERVOLTAGE)

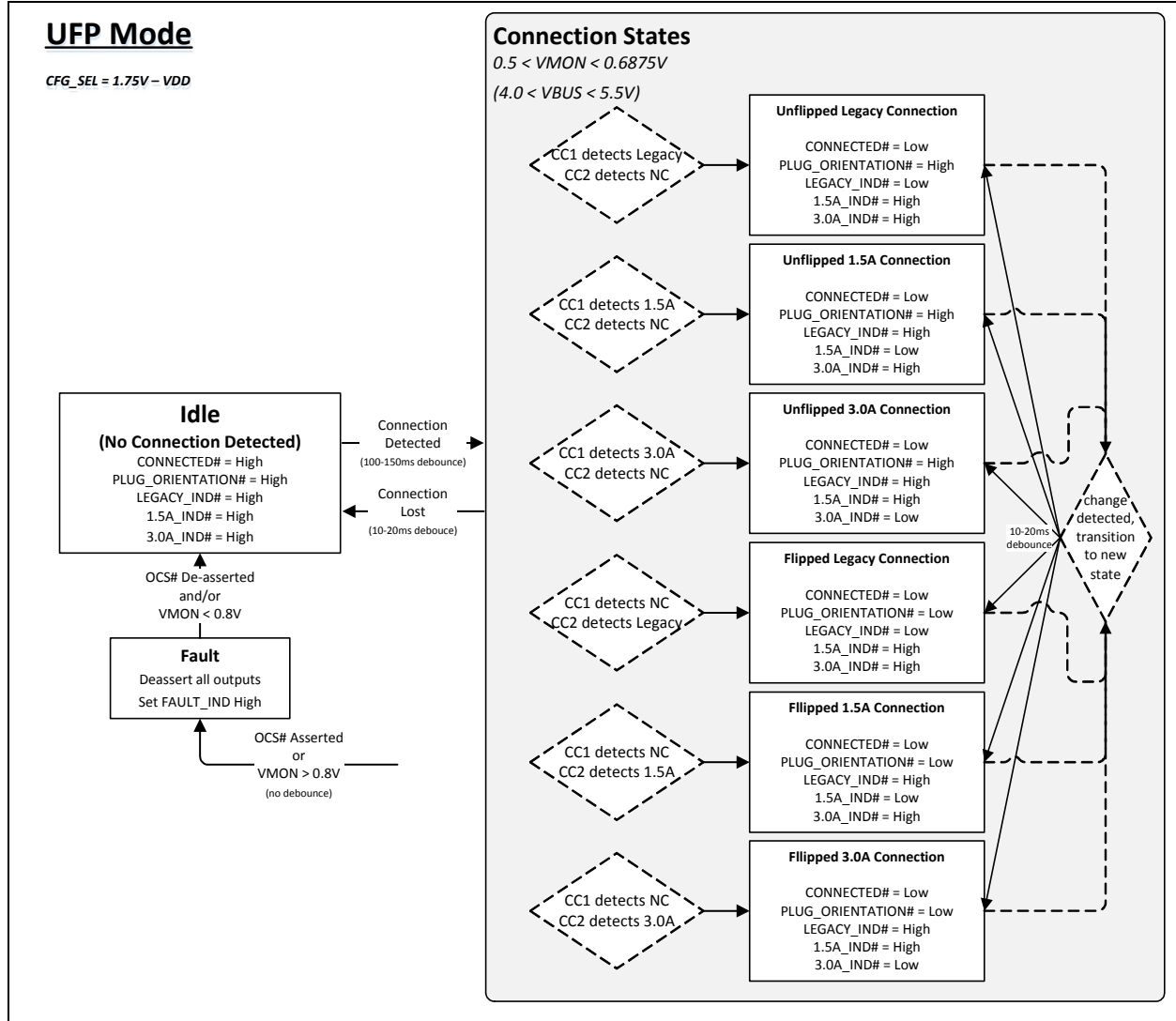
If **OCS#** is asserted low while in any state, the UTC2000 will set all of its outputs to the default state and will transition into the fault state. An internal overcurrent flag will be set and **FAULT\_IND** will drive high. Normal operation will resume after **OCS#** is deasserted. The **FAULT\_IND** pin will continue to drive low until a power cycle occurs.

If **VMON** exceeds 0.8V at any state, the UTC2000 will set all of its outputs to the default state and will transition into the fault state. An internal overvoltage flag will be set and **FAULT\_IND** will drive high. Normal operation will resume after **VMON** is deasserted. The **FAULT\_IND** pin will continue to drive low until a power cycle occurs.

## 3.3 UFP Mode Functional State Machine

A visual representation of the UTC2000 UFP state machine behavior is shown in Figure 3-2. The various states are detailed in the following sub-sections.

**FIGURE 3-2: UFP MODE STATE MACHINE DIAGRAM**



### 3.3.1 IDLE

The UTC2000 will remain in a disabled, inactive state if **ENABLE** is asserted low, or the voltage on **CFG\_SEL** is not within a valid configuration range.

While in this state, the state of the digital outputs are as follows:

- **CONNECTED#**: High (Not Asserted)
- **PLUG\_ORIENTATION#**: High (Not Asserted)
- **LEGACY\_IND#**: High (Not Asserted)
- **1.5A\_IND#**: High (Not Asserted)
- **3.0A\_IND#**: High (Not Asserted)

# UTC2000

---

## 3.3.2 CONNECTED (UNFLIPPED LEGACY CONNECTION)

If VBUS is in a valid range (4.5V-5.5V) and a Legacy Rp pull-up resistor is sensed on the CC1 pin (and no connection detected on the CC2 pin) the UTC2000 will enter the “CONNECTED (UNFLIPPED LEGACY CONNECTION)” state.

While in this state, the state of the digital outputs are as follows:

- **CONNECTED#**: Low (Asserted)
- **PLUG\_ORIENTATION#**: High (Not Asserted)
- **LEGACY\_IND#**: Low (Asserted)
- **1.5A\_IND#**: High (Not Asserted)
- **3.0A\_IND#**: High (Not Asserted)

## 3.3.3 CONNECTED (UNFLIPPED 1.5A CONNECTION)

If VBUS is in a valid range (4.5V-5.5V) and a 1.5A Rp pull-up resistor is sensed on the CC1 pin (and no connection detected on the CC2 pin) the UTC2000 will enter the “CONNECTED (UNFLIPPED 1.5A CONNECTION)” state.

While in this state, the state of the digital outputs are as follows:

- **CONNECTED#**: Low (Asserted)
- **PLUG\_ORIENTATION#**: High (Not Asserted)
- **LEGACY\_IND#**: High (Not Asserted)
- **1.5A\_IND#**: Low (Asserted)
- **3.0A\_IND#**: High (Not Asserted)

## 3.3.4 CONNECTED (UNFLIPPED 3.0A CONNECTION)

If VBUS is in a valid range (4.5V-5.5V) and a 3.0A Rp pull-up resistor is sensed on the CC1 pin (and no connection detected on the CC2 pin) the UTC2000 will enter the “CONNECTED (UNFLIPPED 3.0A CONNECTION)” state.

While in this state, the state of the digital outputs are as follows:

- **CONNECTED#**: Low (Asserted)
- **PLUG\_ORIENTATION#**: High (Not Asserted)
- **LEGACY\_IND#**: High (Not Asserted)
- **1.5A\_IND#**: High (Not Asserted)
- **3.0A\_IND#**: Low (Asserted)

## 3.3.5 CONNECTED (FLIPPED LEGACY CONNECTION)

If VBUS is in a valid range (4.5V-5.5V) and a Legacy Rp pull-up resistor is sensed on the CC2 pin (and no connection detected on the CC1 pin) the UTC2000 will enter the “CONNECTED (FLIPPED LEGACY CONNECTION)” state.

While in this state, the state of the digital outputs are as follows:

- **CONNECTED#**: Low (Asserted)
- **PLUG\_ORIENTATION#**: Low (Asserted)
- **LEGACY\_IND#**: High (Asserted)
- **1.5A\_IND#**: High (Not Asserted)
- **3.0A\_IND#**: High (Not Asserted)



### 3.3.6 CONNECTED (FLIPPED 1.5A CONNECTION)

If VBUS is in a valid range (4.5V-5.5V) and a 1.5A Rp pull-up resistor is sensed on the CC2 pin (and no connection detected on the CC1 pin) the UTC2000 will enter the “CONNECTED (FLIPPED 1.5A CONNECTION)” state.

While in this state, the state of the digital outputs are as follows:

- **CONNECTED#**: Low (Asserted)
- **PLUG\_ORIENTATION#**: Low (Asserted)
- **LEGACY\_IND#**: High (Not Asserted)
- **1.5A\_IND#**: Low (Asserted)
- **3.0A\_IND#**: High (Not Asserted)

### 3.3.7 CONNECTED (FLIPPED 3.0A CONNECTION)

If VBUS is in a valid range (4.5V-5.5V) and a 3.0A Rp pull-up resistor is sensed on the CC2 pin (and no connection detected on the CC1 pin) the UTC2000 will enter the “CONNECTED (FLIPPED 3.0A CONNECTION)” state.

While in this state, the state of the digital outputs are as follows:

- **CONNECTED#**: Low (Asserted)
- **PLUG\_ORIENTATION#**: Low (Asserted)
- **LEGACY\_IND#**: High (Not Asserted)
- **1.5A\_IND#**: High (Not Asserted)
- **3.0A\_IND#**: Low (Asserted)

### 3.3.8 FAULT (OVERCURRENT OR OVERVOLTAGE)

If **OCS#** is asserted low while in any state, the UTC2000 will set all of its outputs to the default state and will transition into the fault state. An internal overcurrent flag will be set and **FAULT\_IND** will drive high. Normal operation will resume after **OCS#** is deasserted. The **FAULT\_IND** pin will continue to drive low until a reset or power cycle occurs.

If **VMON** exceeds 0.8V (6.4V on VBUS) at any state, the UTC2000 will set all of its outputs to the default state and will transition into the fault state. An internal overvoltage flag will be set and **FAULT\_IND** will drive high. Normal operation will resume after **VMON** is deasserted. The **FAULT\_IND** pin will continue to drive low until a reset or power cycle occurs.

## 3.4 VCONN Supply Control (DFP Modes Only)

**VCONN1\_OUT#** and **VCONN2\_OUT#** are open drain, active low output signals used to control a 5V voltage supply to power a powered USB Type-C cable. Powered cable support is mandatory for all USB Type-C applications which implement USB 3.0/USB 3.1. For USB 2.0 systems, powered cable support is optional. The VCONN supply control signals will assert low when one of the following conditions are met:

- **VCONN1\_OUT#** will assert low if an Rd resistor is detected on CC2 and an Ra resistor is detected on CC1. The signal will remain asserted until the Rd resistor on CC2 is no longer sensed (USB cable is detached).
- **VCONN2\_OUT#** will assert low if an Rd resistor is detected on CC1 and an Ra resistor is detected on CC2. The signal will remain to asserted until the Rd resistor on CC1 is no longer sensed (USB cable is detached).

## 3.5 USB Audio Adapter (DFP Modes Only)

**Note:** Additional details for implementing Audio Adapter mode are detailed in Appendix A of the *USB Type-C™ Cable and Connector Specification*.

**AUDIO\_ADAPTER** is an active high output signal that is used to indicate when a USB audio adapter is detected. **AUDIO\_ADAPTER** will assert high when an Ra resistor is detected on both CC1 and CC2 pins. The signal will remain asserted until either or both Ra resistors is no longer sensed. This signal is intended to control a high-speed switch that toggles between USB differential data and an audio signal. The switch that is selected must be capable of supporting USB 2.0 as well as audio signals ranging from -3.0V to +3.0V. Additional electrical details can be found in section A-3 of the *USB Type-C™ Cable and Connector Specification*.

Two additional signals are also used when operating in Audio Adapter mode. These signals are Mic/AGND and AGND/Mic which should be connected to SBU1 and SBU2 respectively.

## 3.6 UFP Mode Connection and Charging Capability Detection Indicator

While operating in UFP mode, there are 4 outputs that indicate connection state.

**CONNECTED#** is an open drain output that asserts when any of the three valid USB Type-C connections are detected. Legacy charging mode (500mA for USB 2.0 connections, 900mA for USB 3.0/USB 3.1 connections) is detected when a DFP with a 56k Rp pull-up resistor is detected. 1.5A charging is detected when a DFP with a 22k Rp pull-up resistor is detected. 3.0A charging is detected when a DFP with a 10k Rp pull-up resistor is detected.

The **LEGACY\_IND#**, **1.5A\_IND#**, and **3.0A\_IND#** open drain outputs assert low to indicate which type of connection was detected. These outputs can be fed to the battery charging management circuitry of the USB device to appropriately regulate the amount of current draw.

The **CONNECTED#** signal may also be used to gate the VBUS voltage to system power if an added level of protection from high voltage is desired.

## 3.7 Connection and Disconnection Detection Debounce

A debounce is implemented to eliminate unwanted connect/disconnect events due to cable jostling or USB Power Delivery messaging.

A transition from the **ENABLED IDLE** state to any connected state is debounced by 100ms-200ms.

A transition from any connected state to any other connected state or from any connected state to the **ENABLED IDLE** state is debounced by 10ms-20ms.

## 4.0 OPERATIONAL CHARACTERISTICS

### 4.1 Absolute Maximum Ratings<sup>(†)</sup>

Ambient temperature under bias .....	-40°C to +125°C
Storage temperature .....	-65°C to +150°C
Voltage on pins with respect to V <sub>SS</sub>	
on V <sub>DD</sub> pin .....	-0.3V to +6.5V
on all other pins .....	-0.3V to (V <sub>DD</sub> + 0.3V)
Maximum current	
on V <sub>SS</sub> pin <sup>(4-1)</sup>	
0°C ≤ T <sub>A</sub> ≤ +70°C .....	95 mA
-40°C ≤ T <sub>A</sub> ≤ +85°C .....	85 mA
-40°C ≤ T <sub>A</sub> ≤ +125°C .....	35 mA
on V <sub>DD</sub> pin(1)	
0°C ≤ T <sub>A</sub> ≤ +70°C .....	95 mA
-40°C ≤ T <sub>A</sub> ≤ +85°C .....	85 mA
-40°C ≤ T <sub>A</sub> ≤ +125°C .....	35 mA
on any I/O pin .....	±25 mA
Clamp current, I <sub>K</sub> (V <sub>PI</sub> N < 0 or V <sub>PI</sub> N > V <sub>DD</sub> ) .....	±20 mA

**Note 4-1** Maximum current rating requires even load distribution across I/O pins. Maximum current rating may be limited by the device package power dissipation characterizations.

† NOTICE: Stresses above those listed under “Absolute Maximum Ratings” may cause permanent damage to the device. This is a stress rating only and functional operation of the device at those or any other conditions above those indicated in the operation listings of this specification is not implied. Exposure above maximum rating conditions for extended periods may affect device reliability.

### 4.2 Standard Operating Conditions

The standard operating conditions for this device are defined as:

Operating Voltage:                   V<sub>DDMIN</sub> ≤ V<sub>DD</sub> ≤ V<sub>DDMAX</sub>  
 Operating Temperature:           T<sub>A\_MIN</sub> ≤ T<sub>A</sub> ≤ T<sub>A\_MAX</sub>

V<sub>DD</sub> — Operating Supply Voltage<sup>(4-2)</sup>

V <sub>DDMIN</sub> .....	+4.5V
V <sub>DDMAX</sub> .....	+5.5V

T<sub>A</sub> — Operating Ambient Temperature Range

Commercial Temperature

T <sub>A_MIN</sub> .....	0°C
T <sub>A_MAX</sub> .....	+70°C

Industrial Temperature

T <sub>A_MIN</sub> .....	-40°C
T <sub>A_MAX</sub> .....	+85°C

Extended Temperature

T <sub>A_MIN</sub> .....	-40°C
T <sub>A_MAX</sub> .....	+125°C

**Note 4-2** Refer to Parameter [D001](#), DC Characteristics: Supply Voltage.

# UTC2000

## 4.3 DC Characteristics

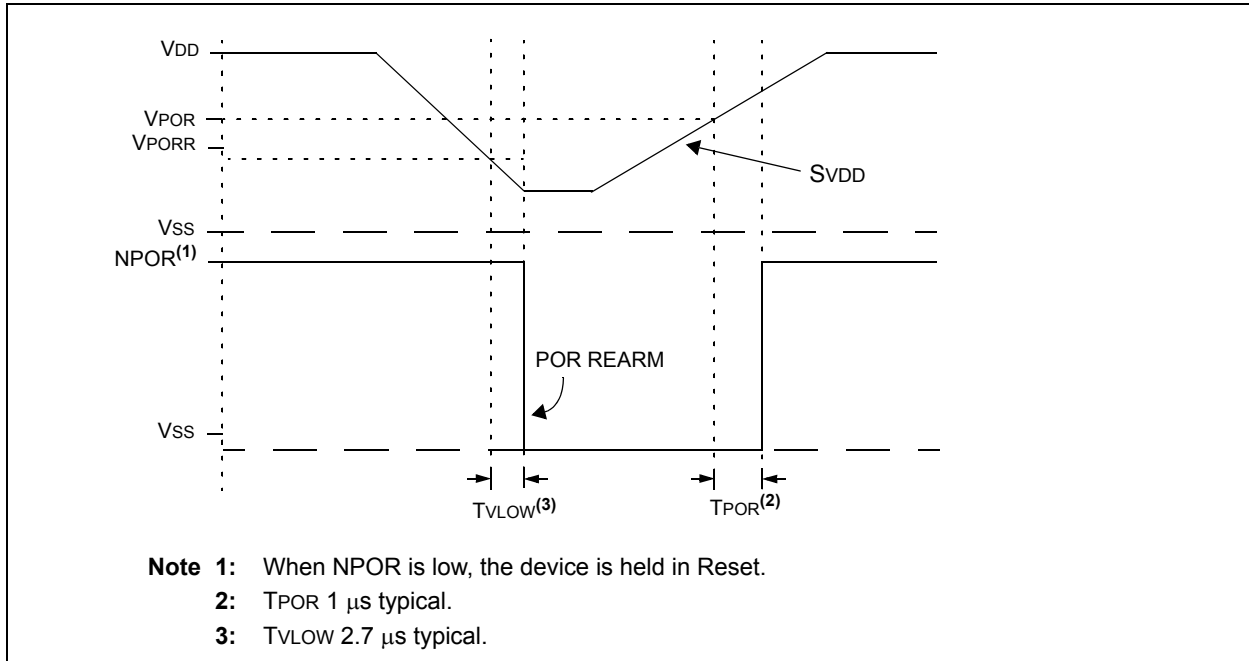
**TABLE 4-1: SUPPLY VOLTAGE**

Param. No.	Sym.	Characteristic	Min.	Typ†	Max.	Units	Conditions
D001	VDD	Supply Voltage					
			Vddmin 4.5	—	Vddmax 5.5	V	
D002*	VPOR	Power-on Reset Release Voltage <sup>(1)</sup>					
			—	1.6	—	V	
D003	VPORR*	Power-on Reset Rearm Voltage <sup>(1)</sup>					
			—	0.8	—	V	
D004	SVDD	VDD Rise Rate <sup>(2)</sup>	0.05	—	—	V/ms	Ensures that the Power-on Reset signal is released properly.
D005	VCFG_SAMP	CFG_SEL Sampling Threshold Voltage					
			—	3.6	—	V	

\* These parameters are characterized but not tested.

**Note 1:** See Figure 4-1, POR and POR REARM with Slow Rising VDD.

**FIGURE 4-1: POR AND POR REARM WITH SLOW RISING VDD**



**TABLE 4-2: SUPPLY CURRENT (IDD)<sup>(1)</sup>**

Param. No.	Device Characteristics	Min.	Typ	Max.	Units	Conditions	
						VDD	Note
D006	Disabled	—	185	205	µA	5.0	-40°C ≤ TA ≤ +85°C
D007	Enabled	—	185	205	µA	5.0	-40°C ≤ TA ≤ +85°C
D008	Enabled & Connected	—	1.30	1.35	mA	5.0	-40°C ≤ TA ≤ +85°C

**Note 1:** The supply current is mainly a function of the operating voltage. Other factors, such as I/O pin loading and switching rate also have an impact on the current consumption.

**TABLE 4-3: I/O PORTS**

Standard Operating Conditions (unless otherwise stated)							
Param. No.	Sym.	Characteristic	Min.	Typ†	Max.	Units	Conditions
D009 D009A	VIL	Input Low Voltage					
		I/O PORT:					
		—	—	0.8	V	4.5V ≤ VDD ≤ 5.5V	
			—	—	0.15 VDD	V	3.0V ≤ VDD ≤ 4.5V
D010 D010A	VIH	Input High Voltage					
			2.0	—	—	V	4.5V ≤ VDD ≤ 5.5V
			0.25 VDD + 0.8	—	—	V	3.0V ≤ VDD ≤ 4.5V
D011	IIL	Input Leakage Current <sup>(1)</sup>					
		I/O Ports	—	± 5	± 125	nA	VSS ≤ VPIN ≤ VDD, Pin at high-impedance, 85°C
			—	± 5	± 1000	nA	VSS ≤ VPIN ≤ VDD, Pin at high-impedance, 125°C
D012	VOL	Output Low Voltage					
		I/O Ports	—	—	0.6	V	IOL = 8 mA, VDD = 5V IOL = 6 mA, VDD = 3.3V IOL = 1.8 mA, VDD = 1.8V
D013	Voh	Output High Voltage					
		I/O Ports	VDD - 0.7	—	—	V	Ioh = 3.5 mA, VDD = 5V Ioh = 3 mA, VDD = 3.3V Ioh = 1 mA, VDD = 1.8V
D014*	CIO	Capacitive Loading Specifications on Output Pins					
		All I/O pins	—	—	50	pF	

\* These parameters are characterized but not tested.

† Data in "Typ" column is at 5.0V, 25°C unless otherwise stated. These parameters are for design guidance only and are not tested.

**Note 1:** Negative current is defined as current sourced by the pin.

**TABLE 4-4: TIMING PARAMETERS**

Standard Operating Conditions (unless otherwise stated)					
Param. No.	Sym.	Min.	Typ†	Max.	Units
D015	t <sub>CONNECT_DEBOUNCE</sub>	CC1/CC2 Connection Detection Debounce Delay			
		100	160	200	ms
D016	t <sub>DISCONNECT_DEBOUNCE</sub>	CC1/CC2 Disconnection or Connection Change Debounce Delay			
		10	16	20	ms
D017	t <sub>VMON_FAULT</sub>	VMON Fault Detection Reaction Delay			
		—	0.460	1	ms
D018	t <sub>OCS#_FAULT</sub>	OCS# Fault Detection Reaction Delay			
		—	0.410	1	ms

† Data in "Typ" column is at 3.0V, 25°C unless otherwise stated.

**TABLE 4-5: THERMAL CHARACTERISTICS**

Standard Operating Conditions (unless otherwise stated)					
Param. No.	Sym.	Characteristic	Typ.	Units	Conditions
TH01	θ <sub>JA</sub>	Thermal Resistance Junction to Ambient	55.3	°C/W	16-pin QFN 3x3x0.9mm package
TH02	θ <sub>JC</sub>	Thermal Resistance Junction to Case	10	°C/W	16-pin QFN 3x3x0.9mm package
TH03	T <sub>JMAX</sub>	Maximum Junction Temperature	150	°C	
TH04	PD	Power Dissipation	—	W	PD = P <sub>INTERNAL</sub> + P <sub>I/O</sub>
TH05	P <sub>internal</sub>	Internal Power Dissipation	—	W	P <sub>INTERNAL</sub> = I <sub>DD</sub> × V <sub>DD</sub> <sup>(1)</sup>
TH06	P <sub>I/O</sub>	I/O Power Dissipation	—	W	P <sub>I/O</sub> = Σ (I <sub>OL</sub> × V <sub>OL</sub> ) + Σ (I <sub>OH</sub> × (V <sub>DD</sub> - V <sub>OH</sub> ))
TH07	P <sub>DER</sub>	Derated Power	—	W	P <sub>DER</sub> = P <sub>D</sub> MAX (T <sub>J</sub> - T <sub>A</sub> )/θ <sub>JA</sub> <sup>(2)</sup>

**Note 1:** I<sub>DD</sub> is current to run the chip alone without driving any load on the output pins.

**2:** T<sub>A</sub> = Ambient Temperature; T<sub>J</sub> = Junction Temperature

## 5.0 UTC2000 SYSTEM APPLICATION

This chapter explains external requirements for UTC2000 applications and provides some example diagrams.

- [Section 5.1, 5V VBUS Switch \(DFP Modes Only\)](#)
- [Section 5.2, Rp Pull-Up Resistor \(DFP Modes Only\)](#)
- [Section 5.3, Rd Pull-Down Resistor \(UFP Mode Only\)](#)
- [Section 5.4, VCONN Active Cable Supply \(DFP Modes Only\)](#)
- [Section 5.5, CC Pin Isolation \(DFP Only\)](#)
- [Section 5.6, CC Pin Current Limiting Resistors \(UFP Only\)](#)
- [Section 5.7, VBUS Monitoring](#)
- [Section 5.8, USB Signal Multiplexer](#)
- [Section 5.9, Application Example: 3.0A Capable USB 3.0/USB 3.1 DFP](#)
- [Section 5.10, Application Example: 1.5A Capable USB 2.0 DFP](#)
- [Section 5.11, Application Example: 500mA Capable USB 2.0 DFP with Audio Adapter Support](#)
- [Section 5.12, Application Example: 3.0A Capable USB Type-CTM Charging Port \(AC Adapter\)](#)
- [Section 5.13, Application Example: UFP Device](#)

### 5.1 5V VBUS Switch (DFP Modes Only)

A 5V USB port power switch with active high enable input and an overcurrent indicator output is required. The USB Type-C receptacle must not supply 5V to the VBUS pins until a valid connection is detected. The UTC2000 controller asserts the active high **PPC\_EN** signal to control the 5V port power supply to VBUS upon detection of a valid USB Type-C connection. The port power switch controlled by the UTC2000 shall also have built in overcurrent detection set to a threshold that is appropriate for the current capability profile that is being selected per [Table 5-1](#). An overcurrent threshold of 125% (of the selected DFP profile current) is appropriate, as the threshold may not be tripped at any current less than or equal to the selected current profile. The 5V VBUS port power controller should indicate that an overcurrent event has occurred by pulling the **OCS#** signal to the UTC2000 controller low.

### 5.2 Rp Pull-Up Resistor (DFP Modes Only)

A Downstream Facing Port is required to supply voltage to both CC pins through a pull-up resistor. The pull-up voltage may be either 5.0V volts or 3.3V. A UFP must implement a Rd pull-down resistor to ground. When a DFP to UFP connection is made, a resistor divider is formed, and the voltage at the CC pin can be measured to interpret the type of connection. [Table 5-1](#) describes the possible values of the Rp pull-up resistor.

**Note:** A constant current source may also be implemented instead of a pull-up resistor.

**TABLE 5-1: RP PULL-UP RESISTOR VALUES**

DFP Advertisement	Resistor Pull-Up to 4.75 - 5.5V	Resistor Pull-Up to 3.3V ± 5%	Current Source
Legacy USB: 500mA USB 2.0 900mA USB 3.0/USB 3.1	56 kΩ ± 20%	36 kΩ ± 20%	80 μA ± 20%
1.5A	22 kΩ ± 5%	12 kΩ ± 5%	180 μA ± 8%
3.0A	10 kΩ ± 5%	4.7 kΩ ± 5%	330 μA ± 8%

The UTC2000 measures the voltages on both CC pins via its internal ADCs. The CC pin voltage ranges, as defined in the *USB Type-C™ Cable and Connector Specification*, are shown in [Table 3-1](#).

### 5.3 Rd Pull-Down Resistor (UFP Mode Only)

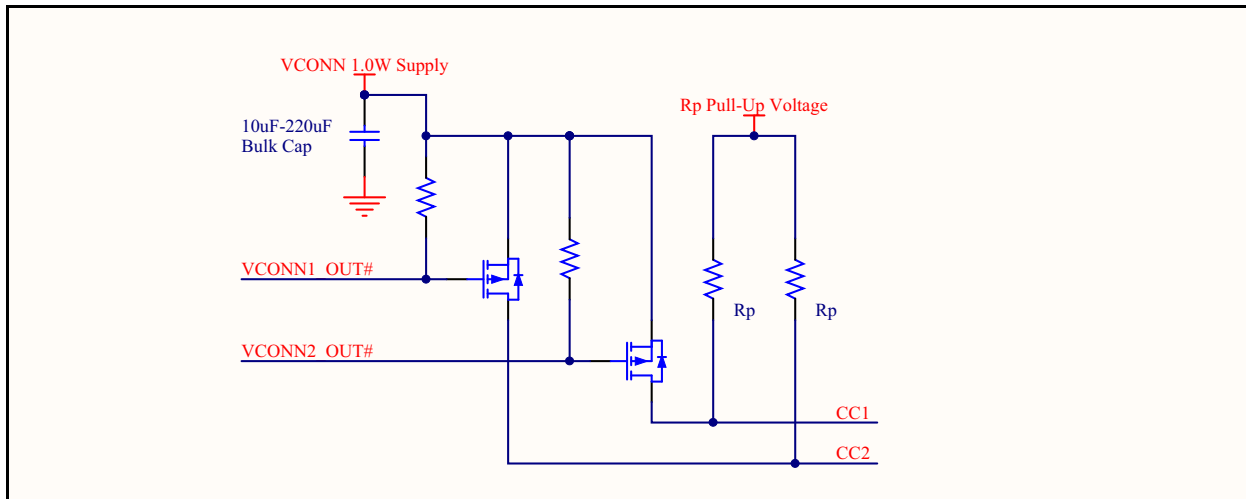
An Upstream Facing Port is required to implement a 5.1k +/- 10% Rd pull-down resistor to ground connected to both CC1 and CC2 pins on the Type-C receptacle. When a DFP to UFP connection is made, a resistor divider is formed, and the voltage at the CC pin can be measured to interpret the charging capability of the DFP.

## 5.4 VCONN Active Cable Supply (DFP Modes Only)

All USB Type-C receptacles must be able to supply power to an active cable if USB 3.0/USB 3.1 signaling is implemented. Supplying VCONN is optional if only USB 2.0 is implemented. The simplest implementation is to add a FET (or series of FETs) that switches in the VCONN voltage directly to the CC pin node. The VCONN supply must be capable of supplying 1.0W of continuous power and may not supply more than 1.25A at the moment of plug contact. A bulk capacitance of 10 $\mu$ F to 220 $\mu$ F must also be switched in with VCONN. The bulk capacitance may not need to be a discrete capacitor if the supply's output capacitance already meets this requirement. Overcurrent detection is recommended, but not required per the *USB Type-C™ Cable and Connector Specification*. A simple implementation example is shown in [Figure 5-1](#) below.

**Note:** Rds\_on must be carefully considered to ensure that the *USB Type-C™ Cable and Connector Specification* requirements for VCONN supply current and voltage range are met.

**FIGURE 5-1: EXAMPLE VCONN SUPPLY CONNECTION**



**Note:** It is also recommended to implement additional circuitry to make the CC1 and CC2 pins high impedance when the DFP is in an unpowered state. Refer to [Figure 5-7](#) for an example.

## 5.5 CC Pin Isolation (DFP Only)

The CC pins on a DFP must be high-impedance when the DFP is powered off. This is to prevent VBUS backdrive in a situation when a DFP connects to an unpowered DFP and detects the Rp pull-up resistors as an Rd pull-down. Therefore, it is recommended that some isolation FETs are implemented that disconnect the CC pins from the Rp pull-up resistors and VCONN supply circuitry when powered off.

## 5.6 CC Pin Current Limiting Resistors (UFP Only)

Because most UFP designs require operation even when unpowered, resistors placed directly in front of the CC1 and CC2 pins are recommended to limit the amount of leakage current through the UTC2000 ADC inputs when unpowered. 10k $\Omega$  resistors are the recommended value.

Failure to place current limiting resistors could result in a failure to detect a USB attach due to a shift in CC voltage.



## 5.7 VBUS Monitoring

**DFP Modes:** An optional VBUS monitoring function may be implemented to protect the system from higher than expected voltages on VBUS (from a malfunctioning connected USB device) by preventing the UTC2000 from enabling the 5V port switch. Additional back-drive protection or isolation circuitry must be implemented for thorough protection. This feature requires the VMON pin to be connected to VBUS through a resistor divider network that divides the VBUS voltage by a factor of 8. A 35.7kΩ resistor over a 5.1kΩ resistor is recommended, as shown in the Figure 5-7, Figure 5-8, and Figure 5-9 below.

**UFP Mode:** The VBUS monitoring function is required and used to verify a valid VBUS range before asserting the CONNECTED pin or any charge capability indicator outputs. A fault condition will also be flagged if higher than expected voltage on VBUS (from a malfunctioning connected USB device) is detected. Additional back-drive protection or isolation circuitry must be implemented for thorough protection. This features requires the VMON pin to be connected to VBUS through a resistor divider network that divides the VBUS voltage by a factor of 8.

## 5.8 USB Signal Multiplexer

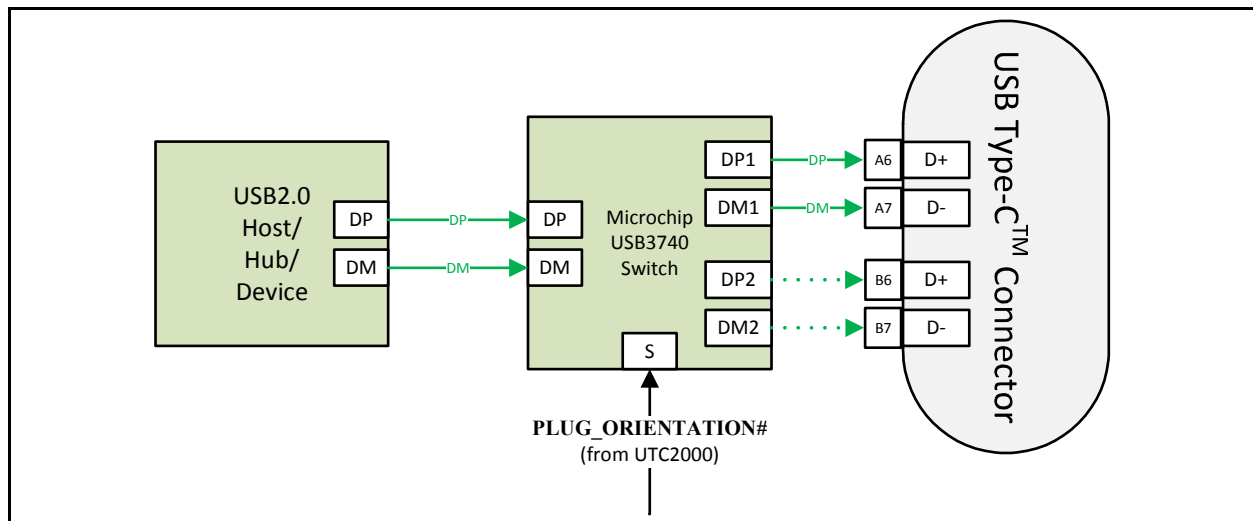
There are several options for connecting the USB signals to the USB Type-C receptacles. These options differ slightly between USB 2.0 and USB 3.0/USB 3.1 applications, as detailed in the following sub-sections.

### 5.8.1 USB 2.0 OPTION 1: HIGH-SPEED MULTIPLEXER/SWITCH

The most robust solution for USB 2.0 applications is to use a USB High-Speed switch to control the routing of the USB signals. The Microchip USB3740 is a cost-effective solution for this purpose and offers several benefits:

- Extreme ESD: +- 15KV (IEC)
- Low Power: 5uA(on), 1uA (off)
- Off Isolation: less than -40dB
- High bandwidth: up to 1 GHz
- Preserves signal integrity
- Small Package: 1.3 x 1.8 mm – 10pin DFN (.4mm pitch)

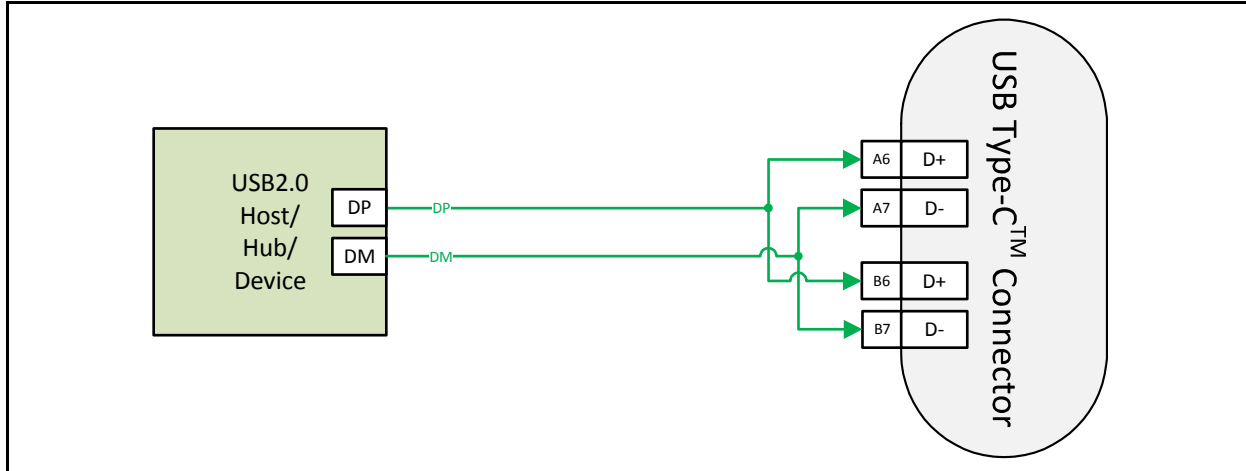
**FIGURE 5-2: BLOCK DIAGRAM OF USB 2.0 OPTION 1: HIGH-SPEED SWITCH**



## 5.8.2 USB 2.0 OPTION 2: SHORT DP/DM PINS TOGETHER

The simplest solution is to short together the DP / DM pins at the receptacle. Only one DP / DM pair at the connector will be active at once. Note that this implementation will negatively affect the integrity of the USB signals because of the creation of stubs on the USB traces.

**FIGURE 5-3: BLOCK DIAGRAM OF USB 2.0 OPTION 2: SHORT DP/DM PINS TOGETHER**

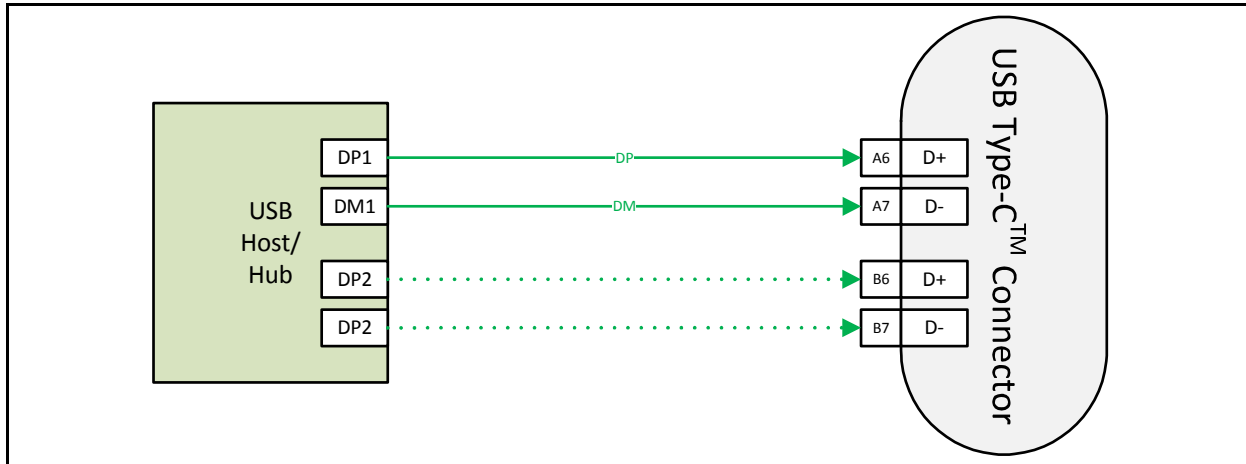


## 5.8.3 USB 2.0 OPTION 3: USE TWO DOWNSTREAM PORTS (DFP ONLY)

If two downstream ports are available, then they may both be connected to the DP / DM pins on the USB Type-C receptacle. Only one of the ports will be active and able to be used at once.

**Note:** If using a Microchip Hub with FlexConnect, a muxless UFP design is possible. Refer to the Microchip USB5734 USB Type-C Reference Design and Evaluation Platform for details.

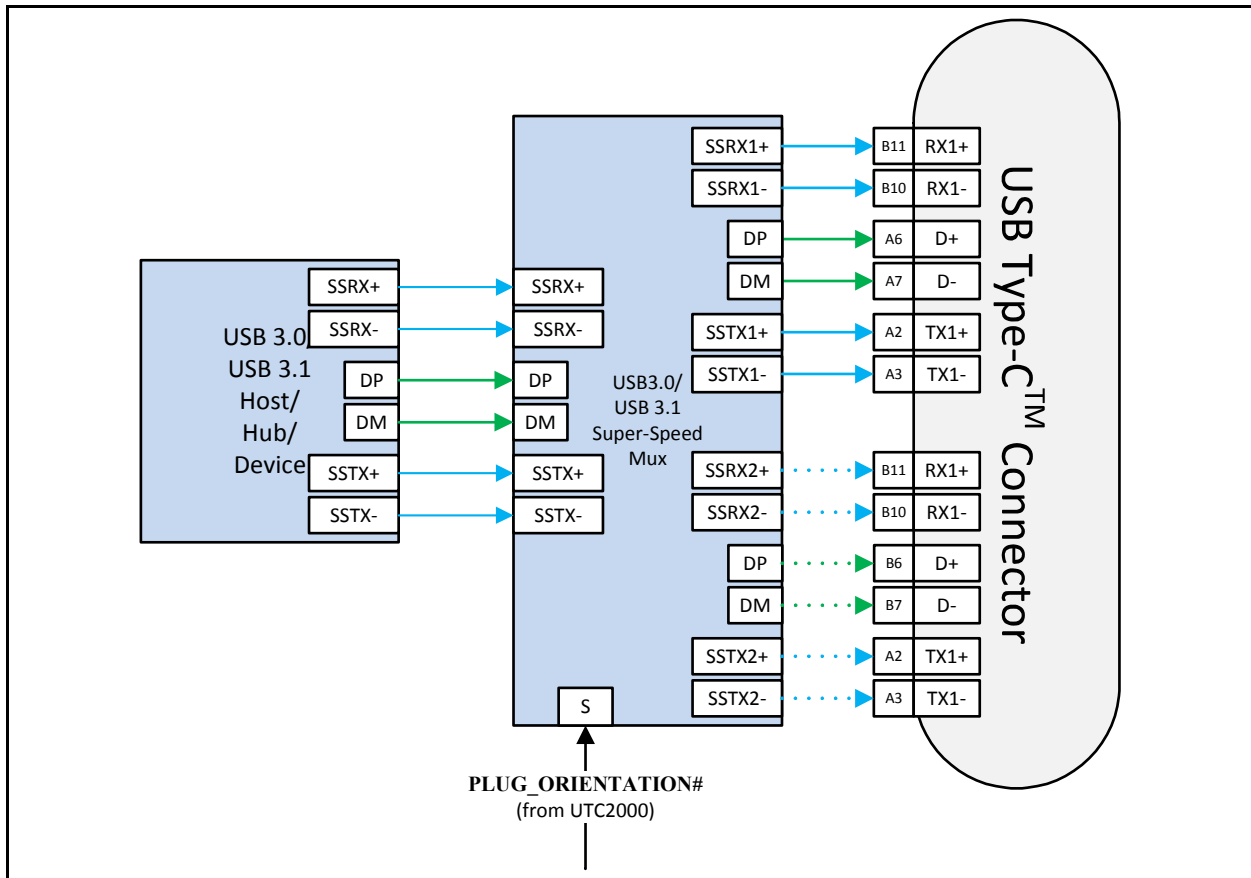
**FIGURE 5-4: BLOCK DIAGRAM OF USB 2.0 OPTION 3: USE TWO DOWNSTREAM PORTS**



## 5.8.4 USB 3.0/USB 3.1 OPTION 1: SUPER SPEED MULTIPLEXER/SWITCH

In a USB 3.0/USB 3.1 UFP application, or a USB 3.0/USB 3.1 DFP application where only one downstream port is available, a Super-Speed USB 3.0/USB 3.1 switch must be used to control the routing of the USB signals.

**FIGURE 5-5: BLOCK DIAGRAM OF USB 3.0/USB 3.1 OPTION 1: SUPER-SPEED MUX/SWITCH**



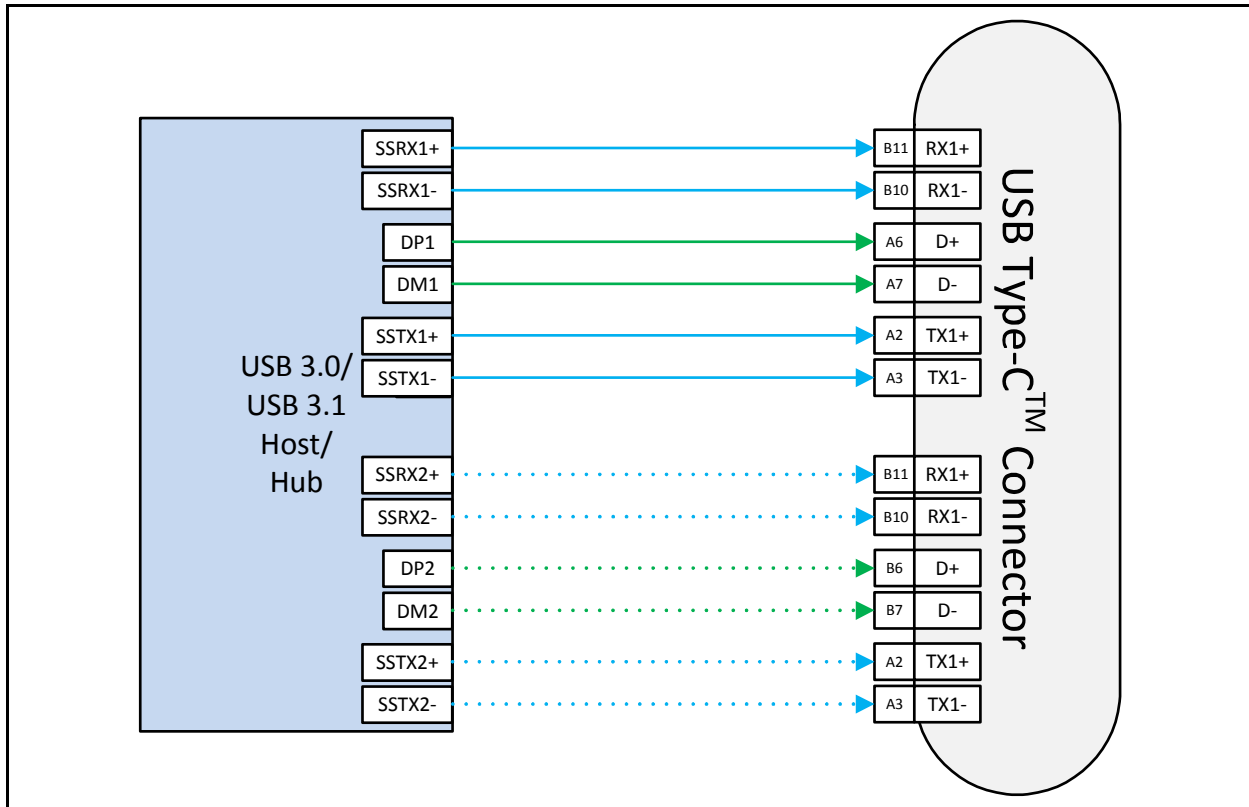
# UTC2000

## 5.8.5 USB 3.0/USB 3.1 OPTION 2: USE TWO DOWNSTREAM PORTS (DFP ONLY)

If two downstream ports are available, then they may both be connected to the USB pins on the USB Type-C receptacle. Only one of the ports will be active and able to be used at once.

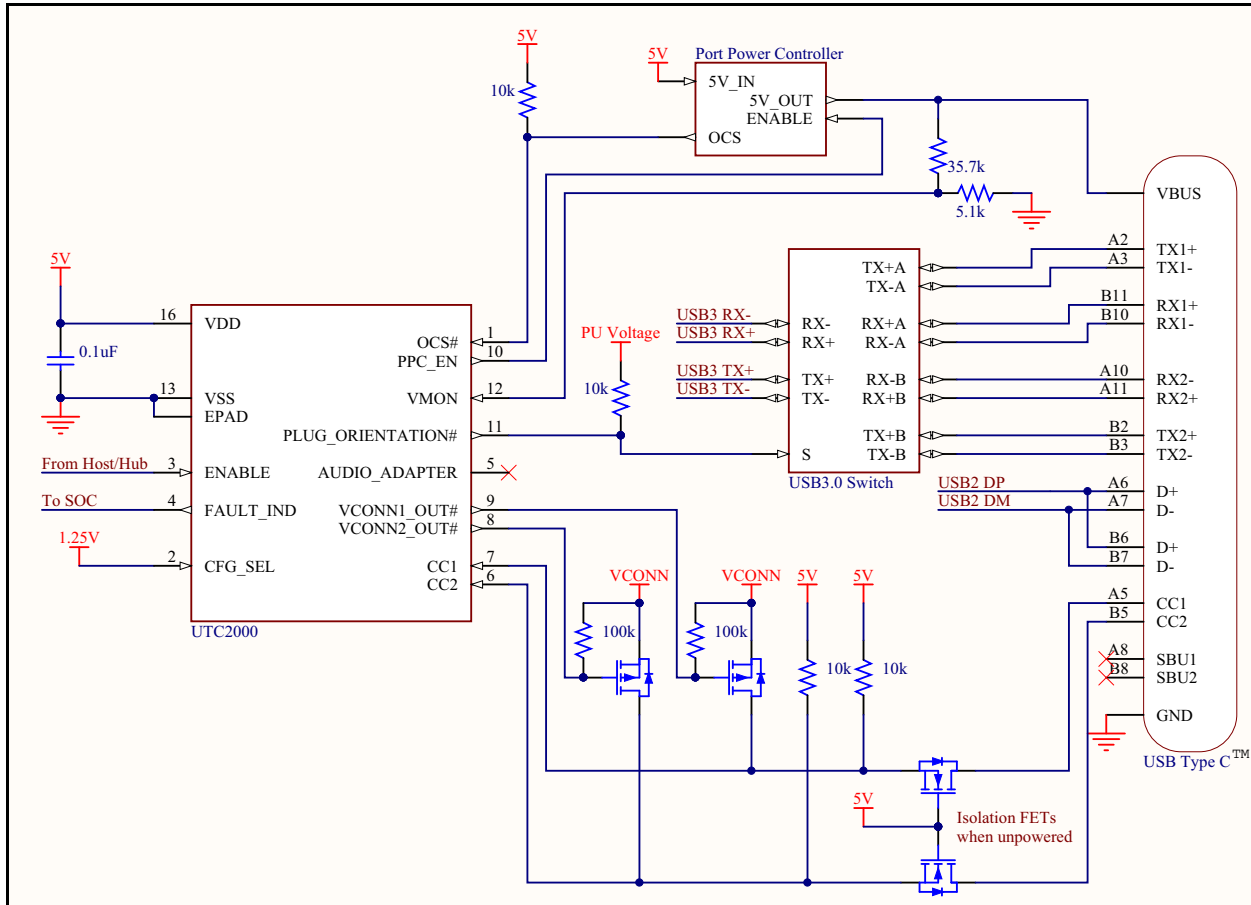
**Note:** If using a Microchip Hub with FlexConnect, a muxless UFP design is possible. Refer to the Microchip USB5734 Type-C Reference Design and Evaluation Platform for details.

**FIGURE 5-6: BLOCK DIAGRAM OF USB 3.0/USB 3.1 OPTION 2: USE TWO DOWNSTREAM PORTS**



## 5.9 Application Example: 3.0A Capable USB 3.0/USB 3.1 DFP

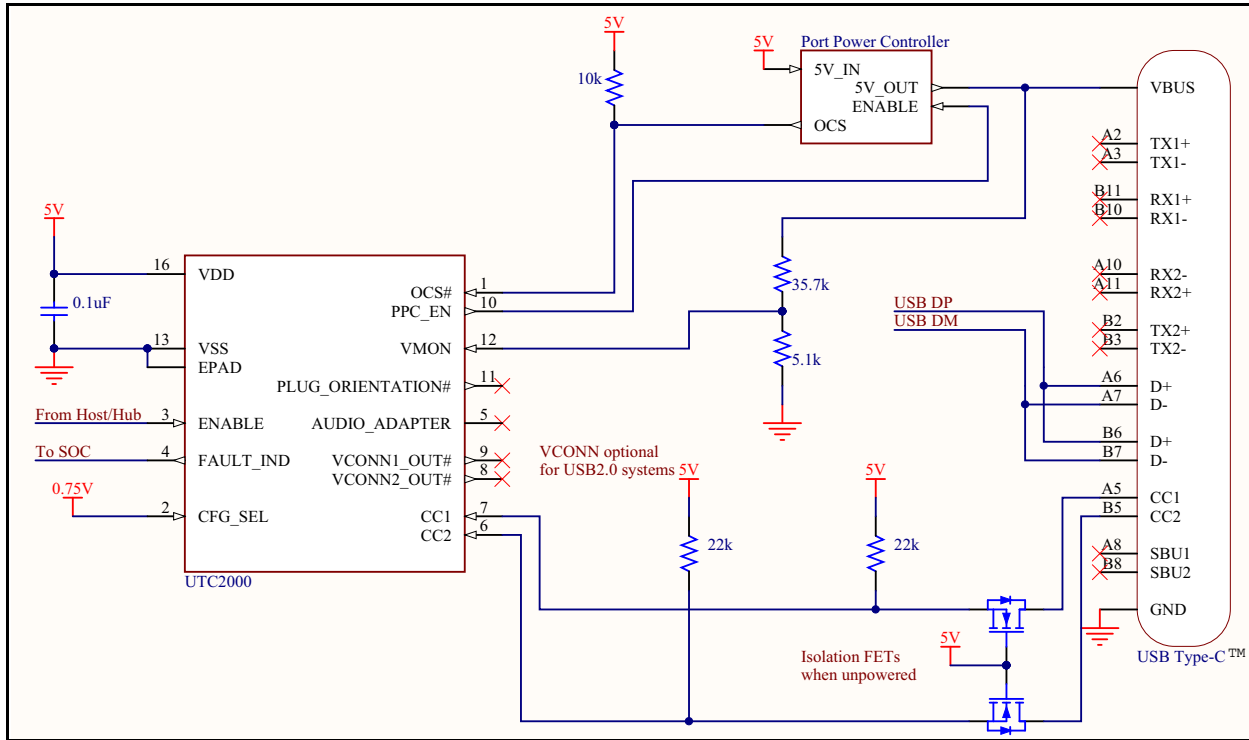
FIGURE 5-7: USB 3.0/USB 3.1 APPLICATION SCHEMATIC



# UTC2000

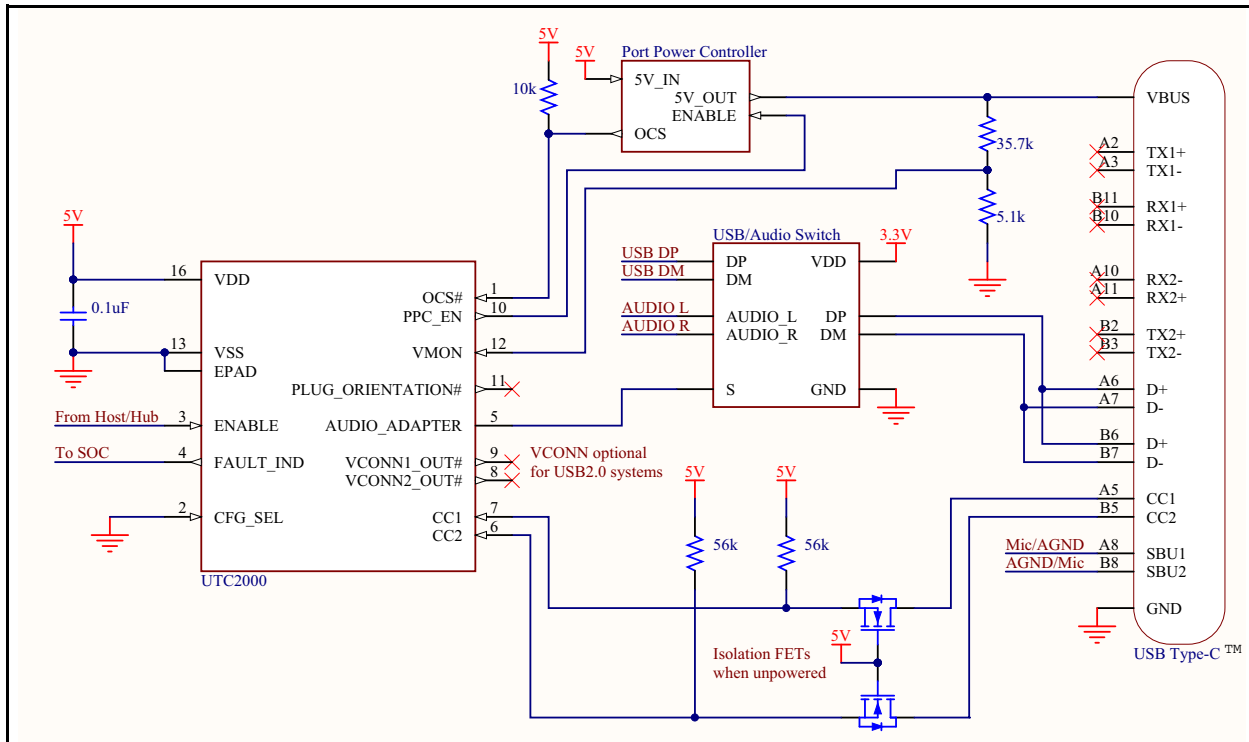
## 5.10 Application Example: 1.5A Capable USB 2.0 DFP

FIGURE 5-8: USB 2.0 APPLICATION SCHEMATIC



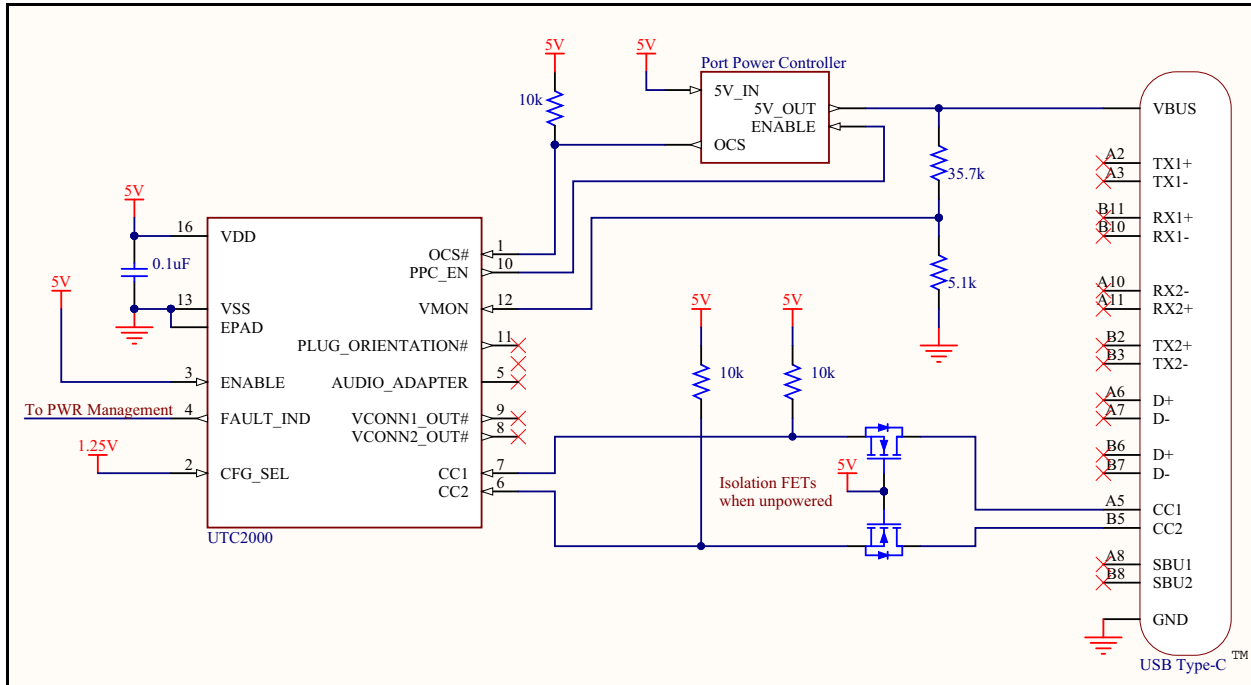
## 5.11 Application Example: 500mA Capable USB 2.0 DFP with Audio Adapter Support

FIGURE 5-9: USB 2.0 WITH AUDIO ADAPTER APPLICATION SCHEMATIC



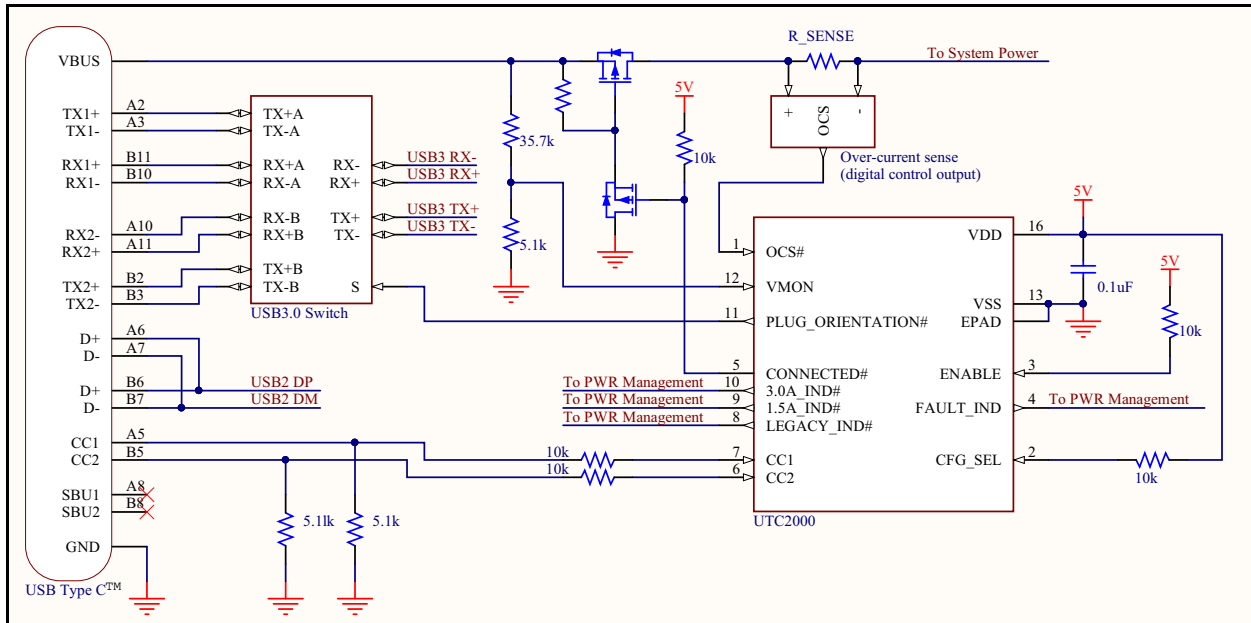
## 5.12 Application Example: 3.0A Capable USB Type-C™ Charging Port (AC Adapter)

FIGURE 5-10: 3.0A CHARGING PORT (AC ADAPTER) APPLICATION SCHEMATIC



## 5.13 Application Example: UFP Device

FIGURE 5-11: UFP DEVICE APPLICATION SCHEMATIC



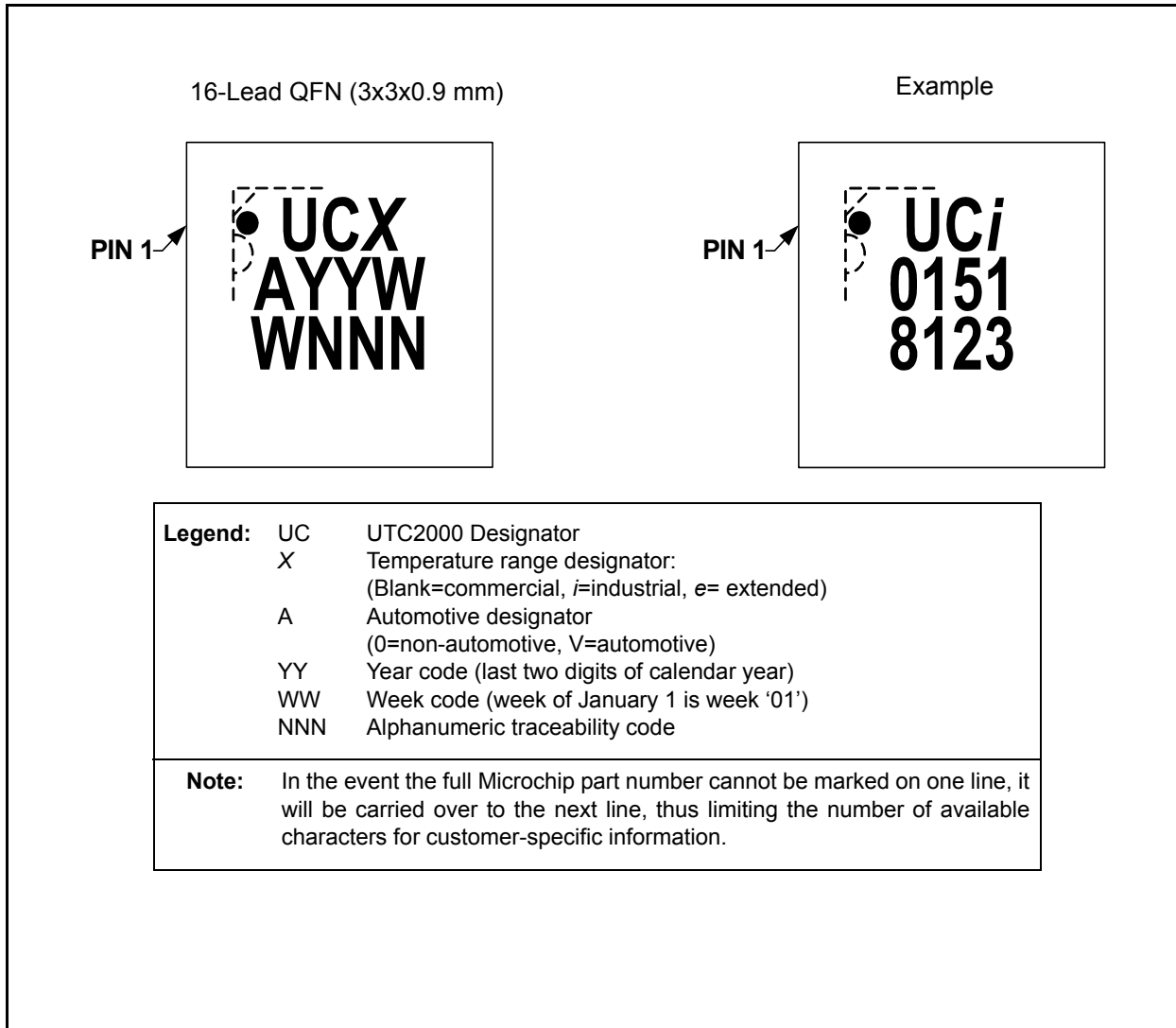
**Note:** The pass FET and current sense circuitry connected to VBUS are for high voltage protection and are optional. If high voltage protection is required and the device is bus powered or battery powered (and may have a dead battery), a high voltage tolerant regulator must also be implemented to power the UTC2000 while it qualifies the USB Type-C connection.

## 6.0 PACKAGING INFORMATION

**Note:** For the most current package drawings, please see the Microchip Packaging Specification located at <http://www.microchip.com/packaging>

### 6.1 Package Marking Information

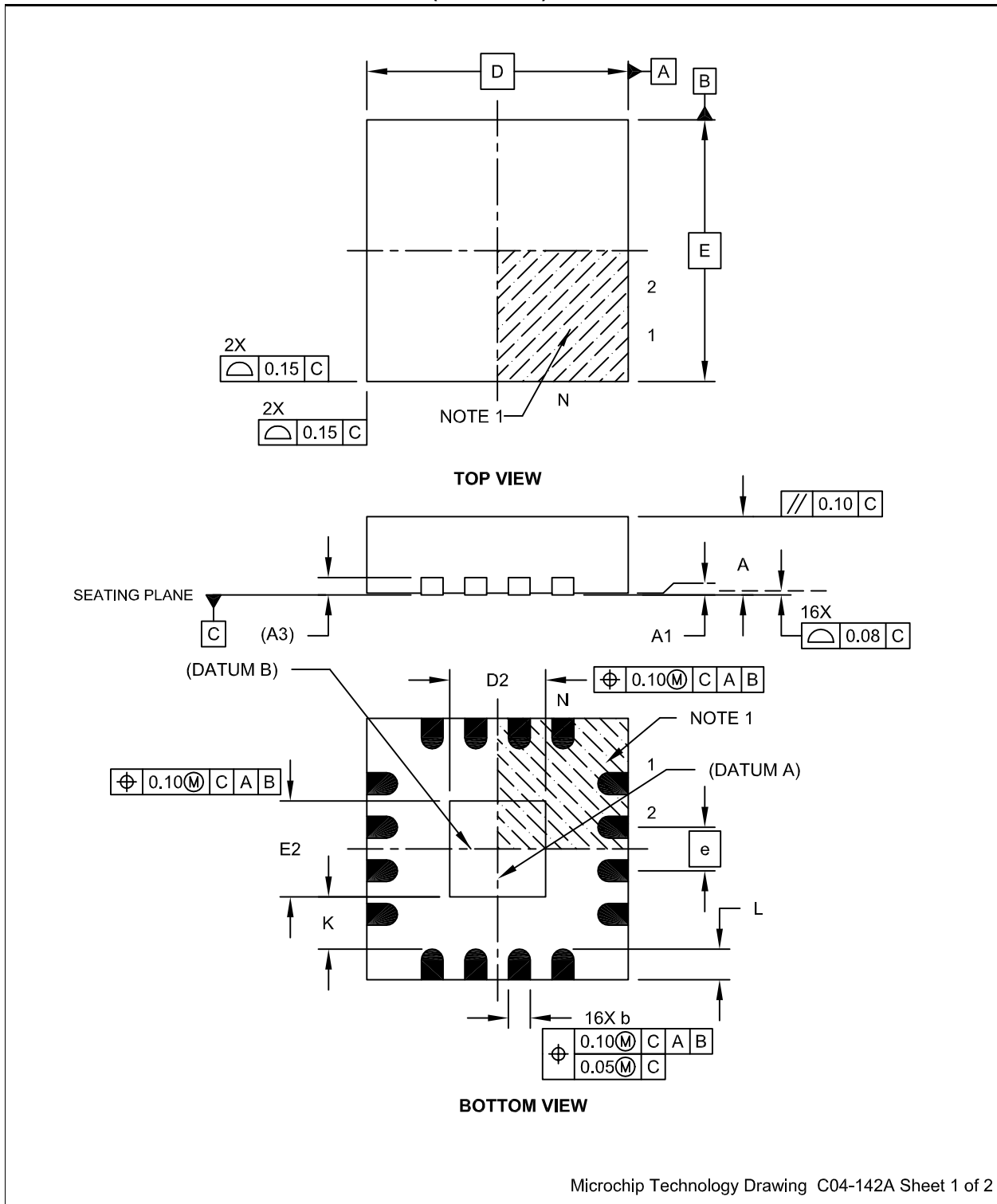
**FIGURE 6-1: 16-PIN QFN PACKAGE MARKING INFORMATION**



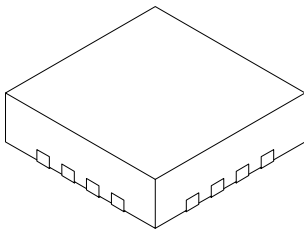


## 6.2 Package Details

**FIGURE 6-2: 16-PIN QFN PACKAGE (DRAWING)**



**FIGURE 6-3: 16-PIN QFN PACKAGE (DIMENSIONS)**



Dimension Limits	Units	MILLIMETERS		
		MIN	NOM	MAX
Number of Pins	N	16		
Pitch	e	0.50 BSC		
Overall Height	A	0.80	0.85	0.90
Standoff	A1	0.00	0.02	0.05
Contact Thickness	A3	0.20 REF		
Overall Width	E	3.00 BSC		
Exposed Pad Width	E2	1.00	1.10	1.50
Overall Length	D	3.00 BSC		
Exposed Pad Length	D2	1.00	1.10	1.50
Contact Width	b	0.18	0.25	0.30
Contact Length	L	0.25	0.35	0.45
Contact-to-Exposed Pad	K	0.20	-	-

**Notes:**

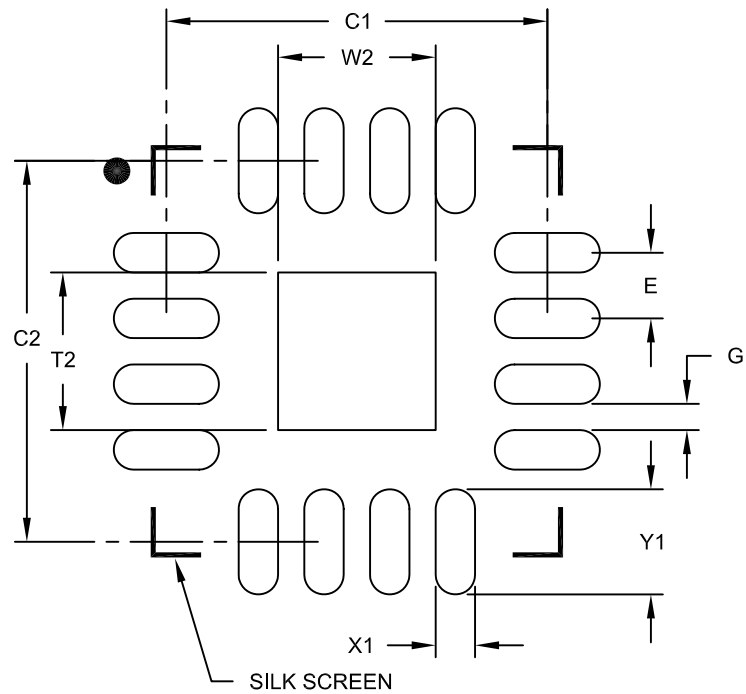
1. Pin 1 visual index feature may vary, but must be located within the hatched area.
2. Package is saw singulated.
3. Dimensioning and tolerancing per ASME Y14.5M.

BSC: Basic Dimension. Theoretically exact value shown without tolerances.

REF: Reference Dimension, usually without tolerance, for information purposes only.

Microchip Technology Drawing C04-142A Sheet 2 of 2

**FIGURE 6-4: 16-PIN QFN PACKAGE (LAND PATTERN)**



**RECOMMENDED LAND PATTERN**

Dimension Limits	Units	MILLIMETERS		
		MIN	NOM	MAX
Contact Pitch	E	0.50 BSC		
Optional Center Pad Width	W2			1.20
Optional Center Pad Length	T2			1.20
Contact Pad Spacing	C1		2.90	
Contact Pad Spacing	C2		2.90	
Contact Pad Width (X16)	X1			0.30
Contact Pad Length (X16)	Y1			0.80
Distance Between Pads	G	0.20		

**Notes:**

1. Dimensioning and tolerancing per ASME Y14.5M

BSC: Basic Dimension. Theoretically exact value shown without tolerances.

Microchip Technology Drawing No. C04-2142A

## APPENDIX A: DATA SHEET REVISION HISTORY

TABLE A-1: REVISION HISTORY

Revision Level & Date	Section/Figure/Entry	Correction
DS00001957D (10-05-15)	Section 1.3, "Type-C Upstream Facing Port (UFP) Implementation Overview"	Updated sub-bullet under "CC Pin Circuitry" to "Rd Pull-Down Resistors"
	Table 2.2, "Pin Descriptions"	Updated VMON description: Changed "(>6.4V on VBUS)" to "(>6.4V as determined by external voltage divider. This threshold can be changed by the system designer by adjusting the values of the external voltage divider.)"
	Table 2.3, "Buffer Types"	Updated OD25 buffer type description: "Open-drain output with 25mA sink"
	Figure 5-2, Figure 5-3	Corrected text issues in diagrams.
	Figure 5-7, Figure 5-11	Updated figures.
DS00001957C (08-06-15)	Cover, Section 1.1, "General Description", Section 4.2, "Standard Operating Conditions", Figure 6-1, Product Identification System on page 39	<ul style="list-style-type: none"> <li>Changed "Automotive extended temperature" to "extended temperature" as the extended temperature range is available in automotive and non-automotive versions.</li> <li>Updated "XXX" automotive code description.</li> </ul>
	Table 2.2, "Pin Descriptions"	Updated first sentence of CFG_SEL description
	Section 3.1, "Configuration Selection"	<ul style="list-style-type: none"> <li>Updated first sentence to reference VCFG_SAMP</li> <li>Updated 2nd and 3rd paragraph to make the mode ranges conditional "upon power-on".</li> <li>Added new sentence to third paragraph: "For UFP designs, it is recommended to tie CFG_SEL to VDD through a pull-up resistor to ensure that UFP mode is entered when VDD crosses the POR threshold."</li> </ul>
	FIGURE 3-1: DFP Modes State Machine Diagram on page 12, FIGURE 3-2: UFP Mode State Machine Diagram on page 15, Figure 5-11	Updated figures
	Table 3-1, "DFP Configuration Selection Voltage Monitoring Thresholds", Table 3-2, "UFP Configuration Selection Voltage Monitoring Thresholds"	Updated CFG_SEL Voltage column values
	Table 4-1, "Supply Voltage"	Added VCFG_SAMP parameter
	Table 4-2, "Supply Current (Idd)(1)"	Added supply current numbers

Revision Level & Date	Section/Figure/Entry	Correction
	Table 4-3, "I/O Ports"	<ul style="list-style-type: none"> <li>Removed text from "characteristics" column of D008 and D009 rows</li> <li>Updated voltage to 5.0V in footer</li> </ul>
	Table 4-4, "Timing Parameters"	Added new timing parameters table
	FIGURE 5-3: Block Diagram of USB 2.0 Option 2: Short DP/DM Pins Together on page 26	Corrected errant blue box around USB Type-C Connector
DS00001957B (07-30-15)	Product Identification System on page 39	"Automotive Extended" changed to "Extended"
	Figure 1-2, "Typical UFP Application Block Diagram" and Figure 5-11	Figures modified to include CC1/CC2 inputs
	Table 2.2, "Pin Descriptions"	Configuration Selection and Fault Indicator descriptions modified
	Section 3.1, "Configuration Selection",	Section modified
	Section 3.7, "Connection and Disconnection Detection Debounce" and Section 5.6, "CC Pin Current Limiting Resistors (UFP Only)"	Sections added
	Document Release, "Confidential" removed from document footer	
DS00001957A (06-25-15)	All	Initial Preliminary Release

## THE MICROCHIP WEB SITE

Microchip provides online support via our WWW site at [www.microchip.com](http://www.microchip.com). This web site is used as a means to make files and information easily available to customers. Accessible by using your favorite Internet browser, the web site contains the following information:

- **Product Support** – Data sheets and errata, application notes and sample programs, design resources, user's guides and hardware support documents, latest software releases and archived software
- **General Technical Support** – Frequently Asked Questions (FAQ), technical support requests, online discussion groups, Microchip consultant program member listing
- **Business of Microchip** – Product selector and ordering guides, latest Microchip press releases, listing of seminars and events, listings of Microchip sales offices, distributors and factory representatives

## CUSTOMER CHANGE NOTIFICATION SERVICE

Microchip's customer notification service helps keep customers current on Microchip products. Subscribers will receive e-mail notification whenever there are changes, updates, revisions or errata related to a specified product family or development tool of interest.

To register, access the Microchip web site at [www.microchip.com](http://www.microchip.com). Under "Support", click on "Customer Change Notification" and follow the registration instructions.

## CUSTOMER SUPPORT

Users of Microchip products can receive assistance through several channels:

- Distributor or Representative
- Local Sales Office
- Field Application Engineer (FAE)
- Technical Support

Customers should contact their distributor, representative or field application engineer (FAE) for support. Local sales offices are also available to help customers. A listing of sales offices and locations is included in the back of this document.

Technical support is available through the web site at: <http://www.microchip.com/support>

## PRODUCT IDENTIFICATION SYSTEM

To order or obtain information, e.g., on pricing or delivery, refer to the factory or the listed sales office.

PART NO.	[X] <sup>(1)</sup>	-	[X]	/XX	[XXX]																																																						
Device	Tape and Reel Option		Temperature Range	Package	Automotive																																																						
<table border="1" style="width: 100%; border-collapse: collapse;"> <tr> <td style="width: 15%;"><b>Device:</b></td> <td colspan="5">UTC2000</td> </tr> <tr> <td><b>Tape and Reel Option:</b></td> <td>Blank</td> <td>=</td> <td colspan="3">Standard packaging (tube or tray)</td> </tr> <tr> <td></td> <td>T</td> <td>=</td> <td colspan="3">Tape and Reel (↑)</td> </tr> <tr> <td><b>Temperature Range:</b></td> <td>Blank</td> <td>=</td> <td colspan="3">0°C to +70°C (Commercial)</td> </tr> <tr> <td></td> <td>I</td> <td>=</td> <td colspan="3">-40°C to +85°C (Industrial)</td> </tr> <tr> <td></td> <td>E</td> <td>=</td> <td colspan="3">-40°C to +125°C (Extended)</td> </tr> <tr> <td><b>Package:</b></td> <td>MG</td> <td>=</td> <td colspan="3">16-Pin QFN (3x3x0.9mm)</td> </tr> <tr> <td><b>Automotive:</b></td> <td>Blank</td> <td>=</td> <td colspan="3">Non-automotive</td> </tr> <tr> <td></td> <td>XXX</td> <td>=</td> <td colspan="3">Automotive (3 character internal designator)</td> </tr> </table>						<b>Device:</b>	UTC2000					<b>Tape and Reel Option:</b>	Blank	=	Standard packaging (tube or tray)				T	=	Tape and Reel (↑)			<b>Temperature Range:</b>	Blank	=	0°C to +70°C (Commercial)				I	=	-40°C to +85°C (Industrial)				E	=	-40°C to +125°C (Extended)			<b>Package:</b>	MG	=	16-Pin QFN (3x3x0.9mm)			<b>Automotive:</b>	Blank	=	Non-automotive				XXX	=	Automotive (3 character internal designator)		
<b>Device:</b>	UTC2000																																																										
<b>Tape and Reel Option:</b>	Blank	=	Standard packaging (tube or tray)																																																								
	T	=	Tape and Reel (↑)																																																								
<b>Temperature Range:</b>	Blank	=	0°C to +70°C (Commercial)																																																								
	I	=	-40°C to +85°C (Industrial)																																																								
	E	=	-40°C to +125°C (Extended)																																																								
<b>Package:</b>	MG	=	16-Pin QFN (3x3x0.9mm)																																																								
<b>Automotive:</b>	Blank	=	Non-automotive																																																								
	XXX	=	Automotive (3 character internal designator)																																																								
<p><b>Examples:</b></p> <p>a) UTC2000/MG Standard packaging, Commercial temperature, 16-pin QFN package</p> <p>b) UTC2000T-I/MG Tape and Reel, Industrial temperature, 16-pin QFN package</p> <p>c) UTC2000-E/MG042 Standard packaging, Automotive extended temperature, 16-pin QFN package</p> <p><b>Note 1:</b> Tape and Reel identifier only appears in the catalog part number description. This identifier is used for ordering purposes and is not printed on the device package. Check with your Microchip Sales Office for package availability with the Tape and Reel option.</p> <p><b>2:</b> For other small form-factor package availability and marking information, please visit <a href="http://www.microchip.com/packaging">www.microchip.com/packaging</a> or contact your local sales office.</p>																																																											

---

**Note the following details of the code protection feature on Microchip devices:**

- Microchip products meet the specification contained in their particular Microchip Data Sheet.
- Microchip believes that its family of products is one of the most secure families of its kind on the market today, when used in the intended manner and under normal conditions.
- There are dishonest and possibly illegal methods used to breach the code protection feature. All of these methods, to our knowledge, require using the Microchip products in a manner outside the operating specifications contained in Microchip's Data Sheets. Most likely, the person doing so is engaged in theft of intellectual property.
- Microchip is willing to work with the customer who is concerned about the integrity of their code.
- Neither Microchip nor any other semiconductor manufacturer can guarantee the security of their code. Code protection does not mean that we are guaranteeing the product as “unbreakable.”

Code protection is constantly evolving. We at Microchip are committed to continuously improving the code protection features of our products. Attempts to break Microchip's code protection feature may be a violation of the Digital Millennium Copyright Act. If such acts allow unauthorized access to your software or other copyrighted work, you may have a right to sue for relief under that Act.

---

Information contained in this publication regarding device applications and the like is provided only for your convenience and may be superseded by updates. It is your responsibility to ensure that your application meets with your specifications. MICROCHIP MAKES NO REPRESENTATIONS OR WARRANTIES OF ANY KIND WHETHER EXPRESS OR IMPLIED, WRITTEN OR ORAL, STATUTORY OR OTHERWISE, RELATED TO THE INFORMATION, INCLUDING BUT NOT LIMITED TO ITS CONDITION, QUALITY, PERFORMANCE, MERCHANTABILITY OR FITNESS FOR PURPOSE. Microchip disclaims all liability arising from this information and its use. Use of Microchip devices in life support and/or safety applications is entirely at the buyer's risk, and the buyer agrees to defend, indemnify and hold harmless Microchip from any and all damages, claims, suits, or expenses resulting from such use. No licenses are conveyed, implicitly or otherwise, under any Microchip intellectual property rights unless otherwise stated.

**Trademarks**

The Microchip name and logo, the Microchip logo, dsPIC, FlashFlex, flexPWR, JukeBlox, KEELOQ, KEELOQ logo, Kleer, LANCheck, MediaLB, MOST, MOST logo, MPLAB, OptoLyzer, PIC, PICSTART, PIC<sup>32</sup> logo, RightTouch, SpyNIC, SST, SST Logo, SuperFlash and UNI/O are registered trademarks of Microchip Technology Incorporated in the U.S.A. and other countries.

The Embedded Control Solutions Company and mTouch are registered trademarks of Microchip Technology Incorporated in the U.S.A.

Analog-for-the-Digital Age, BodyCom, chipKIT, chipKIT logo, CodeGuard, dsPICDEM, dsPICDEM.net, ECAN, In-Circuit Serial Programming, ICSP, Inter-Chip Connectivity, KleerNet, KleerNet logo, MiWi, motorBench, MPASM, MPF, MPLAB Certified logo, MPLIB, MPLINK, MultiTRAK, NetDetach, Omniscient Code Generation, PICDEM, PICDEM.net, PICKit, PICtail, RightTouch logo, REAL ICE, SQI, Serial Quad I/O, Total Endurance, TSHARC, USBCheck, VariSense, ViewSpan, WiperLock, Wireless DNA, and ZENA are trademarks of Microchip Technology Incorporated in the U.S.A. and other countries.

SQTP is a service mark of Microchip Technology Incorporated in the U.S.A.

Silicon Storage Technology is a registered trademark of Microchip Technology Inc. in other countries.

GestIC is a registered trademark of Microchip Technology Germany II GmbH & Co. KG, a subsidiary of Microchip Technology Inc., in other countries.

All other trademarks mentioned herein are property of their respective companies.

© 2015, Microchip Technology Incorporated, Printed in the U.S.A., All Rights Reserved.

ISBN: 9781632778574

**QUALITY MANAGEMENT SYSTEM**  
**CERTIFIED BY DNV**  
**== ISO/TS 16949 ==**

*Microchip received ISO/TS-16949:2009 certification for its worldwide headquarters, design and wafer fabrication facilities in Chandler and Tempe, Arizona; Gresham, Oregon and design centers in California and India. The Company's quality system processes and procedures are for its PIC® MCUs and dsPIC® DSCs, KEELOQ® code hopping devices, Serial EEPROMs, microperipherals, nonvolatile memory and analog products. In addition, Microchip's quality system for the design and manufacture of development systems is ISO 9001:2000 certified.*





# MICROCHIP

## Worldwide Sales and Service

### AMERICAS

#### Corporate Office

2355 West Chandler Blvd.  
Chandler, AZ 85224-6199  
Tel: 480-792-7200  
Fax: 480-792-7277  
Technical Support:  
<http://www.microchip.com/support>

#### Web Address:

[www.microchip.com](http://www.microchip.com)

#### Atlanta

Duluth, GA  
Tel: 678-957-9614  
Fax: 678-957-1455

#### Austin, TX

Tel: 512-257-3370

#### Boston

Westborough, MA  
Tel: 774-760-0087  
Fax: 774-760-0088

#### Chicago

Itasca, IL  
Tel: 630-285-0071  
Fax: 630-285-0075

#### Cleveland

Independence, OH  
Tel: 216-447-0464  
Fax: 216-447-0643

#### Dallas

Addison, TX  
Tel: 972-818-7423  
Fax: 972-818-2924

#### Detroit

Novi, MI  
Tel: 248-848-4000

#### Houston, TX

Tel: 281-894-5983

#### Indianapolis

Noblesville, IN  
Tel: 317-773-8323  
Fax: 317-773-5453

#### Los Angeles

Mission Viejo, CA  
Tel: 949-462-9523  
Fax: 949-462-9608

#### New York, NY

Tel: 631-435-6000

#### San Jose, CA

Tel: 408-735-9110

#### Canada - Toronto

Tel: 905-673-0699  
Fax: 905-673-6509

### ASIA/PACIFIC

#### Asia Pacific Office

Suites 3707-14, 37th Floor  
Tower 6, The Gateway  
Harbour City, Kowloon

#### Hong Kong

Tel: 852-2943-5100  
Fax: 852-2401-3431

#### Australia - Sydney

Tel: 61-2-9868-6733  
Fax: 61-2-9868-6755

#### China - Beijing

Tel: 86-10-8569-7000  
Fax: 86-10-8528-2104

#### China - Chengdu

Tel: 86-28-8665-5511  
Fax: 86-28-8665-7889

#### China - Chongqing

Tel: 86-23-8980-9588  
Fax: 86-23-8980-9500

#### China - Dongguan

Tel: 86-769-8702-9880

#### China - Hangzhou

Tel: 86-571-8792-8115  
Fax: 86-571-8792-8116

#### China - Hong Kong SAR

Tel: 852-2943-5100  
Fax: 852-2401-3431

#### China - Nanjing

Tel: 86-25-8473-2460  
Fax: 86-25-8473-2470

#### China - Qingdao

Tel: 86-532-8502-7355  
Fax: 86-532-8502-7205

#### China - Shanghai

Tel: 86-21-5407-5533  
Fax: 86-21-5407-5066

#### China - Shenyang

Tel: 86-24-2334-2829  
Fax: 86-24-2334-2393

#### China - Shenzhen

Tel: 86-755-8864-2200  
Fax: 86-755-8203-1760

#### China - Wuhan

Tel: 86-27-5980-5300  
Fax: 86-27-5980-5118

#### China - Xian

Tel: 86-29-8833-7252  
Fax: 86-29-8833-7256

### ASIA/PACIFIC

#### China - Xiamen

Tel: 86-592-2388138  
Fax: 86-592-2388130

#### China - Zhuhai

Tel: 86-756-3210040  
Fax: 86-756-3210049

#### India - Bangalore

Tel: 91-80-3090-4444  
Fax: 91-80-3090-4123

#### India - New Delhi

Tel: 91-11-4160-8631  
Fax: 91-11-4160-8632

#### India - Pune

Tel: 91-20-3019-1500

#### Japan - Osaka

Tel: 81-6-6152-7160  
Fax: 81-6-6152-9310

#### Japan - Tokyo

Tel: 81-3-6880-3770  
Fax: 81-3-6880-3771

#### Korea - Daegu

Tel: 82-53-744-4301  
Fax: 82-53-744-4302

#### Korea - Seoul

Tel: 82-2-554-7200  
Fax: 82-2-558-5932 or  
82-2-558-5934

#### Malaysia - Kuala Lumpur

Tel: 60-3-6201-9857  
Fax: 60-3-6201-9859

#### Malaysia - Penang

Tel: 60-4-227-8870  
Fax: 60-4-227-4068

#### Philippines - Manila

Tel: 63-2-634-9065  
Fax: 63-2-634-9069

#### Singapore

Tel: 65-6334-8870  
Fax: 65-6334-8850

#### Taiwan - Hsin Chu

Tel: 886-3-5778-366  
Fax: 886-3-5770-955

#### Taiwan - Kaohsiung

Tel: 886-7-213-7828

#### Taiwan - Taipei

Tel: 886-2-2508-8600  
Fax: 886-2-2508-0102

#### Thailand - Bangkok

Tel: 66-2-694-1351  
Fax: 66-2-694-1350

### EUROPE

#### Austria - Wels

Tel: 43-7242-2244-39  
Fax: 43-7242-2244-393

#### Denmark - Copenhagen

Tel: 45-4450-2828  
Fax: 45-4485-2829

#### France - Paris

Tel: 33-1-69-53-63-20  
Fax: 33-1-69-30-90-79

#### Germany - Dusseldorf

Tel: 49-2129-3766400

#### Germany - Karlsruhe

Tel: 49-721-625370

#### Germany - Munich

Tel: 49-89-627-144-0  
Fax: 49-89-627-144-44

#### Italy - Milan

Tel: 39-0331-742611  
Fax: 39-0331-466781

#### Italy - Venice

Tel: 39-049-7625286

#### Netherlands - Drunen

Tel: 31-416-690399  
Fax: 31-416-690340

#### Poland - Warsaw

Tel: 48-22-3325737

#### Spain - Madrid

Tel: 34-91-708-08-90  
Fax: 34-91-708-08-91

#### Sweden - Stockholm

Tel: 46-8-5090-4654

#### UK - Wokingham

Tel: 44-118-921-5800  
Fax: 44-118-921-5820

07/14/15

## X-ON Electronics

Largest Supplier of Electrical and Electronic Components

*Click to view similar products for [USB Interface IC category](#):*

*Click to view products by [Microchip manufacturer](#):*

Other Similar products are found below :

[CY7C69356-48LTXC](#) [USB3319C-GJ-TR](#) [USB3370B-EZK-TR](#) [CYPD2120-24LQXI](#) [CYPD2122-20FNXIT](#) [CYPD2122-24LQXIT](#) [LIF-UC120-SWG36ITR50](#) [UPD360-A/6HX](#) [CP2102NP1174GM](#) [DPO2039DABQ-13](#) [CY7C68034-56LTXC](#) [TUSB212RWBT](#) [TUSB213IRGYT](#) [TUSB213RGYT](#) [USB3503T-I/ML](#) [CY7C63310-SXC](#) [USB3316C-CP-TR](#) [USB3250-ABZJ](#) [MAX3107ETG+](#) [MAX14632EZK+T](#) [LAN9514-JZX](#) [CYPD2120-24LQXIT](#) [MAX3100CEE+T](#) [USB5806/KD](#) [USB5826-I/KD](#) [USB5826/KD](#) [USB5906/KD](#) [USB5916/KD](#) [USB5926/KD](#) [TUSB215QRGYTQ1](#) [NB7NPQ701MMTTBG](#) [TUSB213RGYR](#) [USB5926-I/KD](#) [USB5906-I/KD](#) [USB4640I-HZH-03](#) [CY7C63813-SXC](#) [CY7C63823-SXC](#) [CY7C64215-28PVXC](#) [CY7C68013A-128AXC](#) [CY7C68013A-56LTXC](#) [CY7C68013A-56LTXI](#) [CY7C68013A-56PVXC](#) [CY7C68013A-56PVXI](#) [CYPD1120-40LQXI](#) [AP43771VDKZ-13](#) [AP43771VFBZ-13](#) [DIO32320MP10](#) [HT42B534-2](#) [FT2232HPQ-TRAY](#) [FT312D-32L1C-T](#)