

# VSC7420

## 10-Port, Layer-2 Gigabit Ethernet Switch with 8 Fully Integrated Copper PHYs

The VSC7420 is the industry's first fully integrated 10-port GbE switch with eight copper PHYs in a single package.

The device leverages Microsemi's 65 nm technology, resulting in one of the most cost-effective and lowest power consumption solutions in the industry. It includes the most advanced Ethernet energy efficiency features for bringing green technology solutions to market.

A rich set of Ethernet switching features, such as Layer 2 forwarding with VLAN and QoS processing, enables the delivery of differentiated services. The device contains an 8051 CPU for light management of the switch.

A comprehensive application software package is provided for LED control, loop indication, device overheat protection, and other enhanced functions.

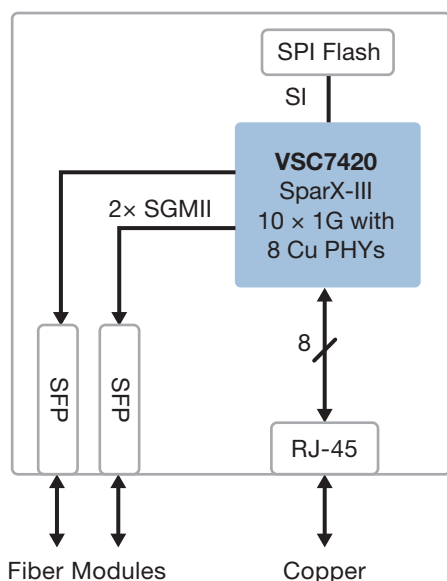
### Highlights

- Supports IEEE 802.3az and green energy efficiency modes with ActiPHY™ and PerfectReach™
- Lowest BOM solution requires only one IC
- Up to two SGMII ports with 100 Mbps and 1 Gbps fiber support

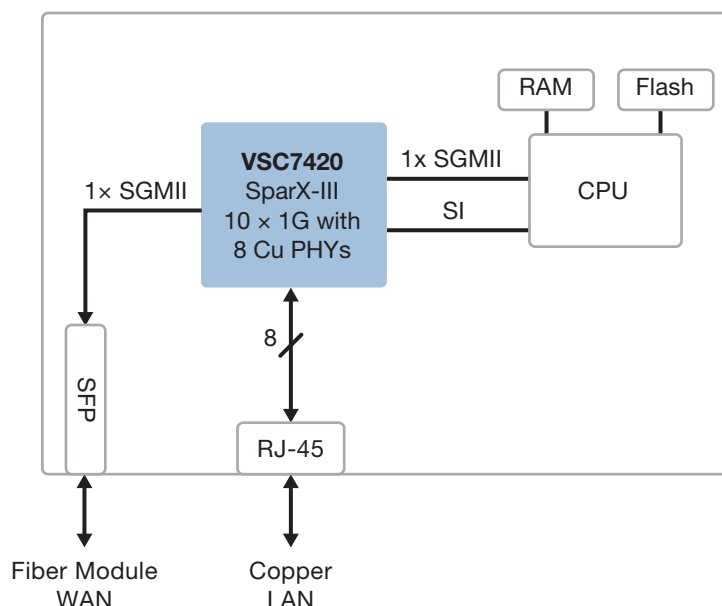
### Applications

- Unmanaged and lightly managed Ethernet switches
- Customer premises equipment (CPE)
- VPN, firewall, and UTM appliances

**VSC7420 in a 10-Port 1-GbE Switch Application**



**VSC7420 in a 9-Port 1-GbE Router Application**



# VSC7420

## 10-Port, Layer-2 Gigabit Ethernet Switch with 8 Fully Integrated Copper PHYs

### Best-in-Class Power Consumption

- Lowest power 10-port Gigabit Ethernet switch available in the market
- Green energy efficiency modes including ActiPHY™, PerfectReach™, and draft IEEE 802.3az
- Single IC reduces overall power requirements
- Optimal power consumption for all link speeds

### Features

- Eight integrated IEEE 802.3ab-compliant 10/100/1000BASE-T Ethernet copper transceivers with VeriPHY™ cable diagnostics
- Two SGMII MAC interfaces
- Integrated 250 MHz 8051 CPU with 64 KB internal storage
- Serial interface for external CPU register access
- Device overheat protection
- Hardware loop detection
- Integrated fan controller
- 8K MAC addresses and 4K VLAN support
- Supports IEEE 1149.1 JTAG boundary scan, IEEE 1149.6 AC-JTAG, 1 Gbps SGMII, and 100BASE-FX and 1000BASE-X

### Layer-2 Switching

- 10-port Gigabit Ethernet switch with nonblocking wire-speed performance
- Link aggregation (IEEE 802.3ad) with programmable traffic distribution based on Layer 2 through Layer 4 information
- Wire-speed hardware-based learning and CPU-based learning configurable per port
- Independent and shared VLAN learning
- Jumbo frame support up to 12.2 kilobytes with per-port programmable MTU
- Q-in-Q tagging support
- 4 megabits of integrated shared packet memory

### QoS

- Eight QoS queues per port with strict or deficit-weighted round robin scheduling
- QoS classification based on IEEE 802.1p and IPv4/IPv6 DSCP
- Data rate shaper and policer per-queue, per-port for both ingress and egress directions
- Full-duplex flow control (IEEE 802.3x) and half-duplex backpressure, symmetric and asymmetric
- Multicast and broadcast storm control with flooding control

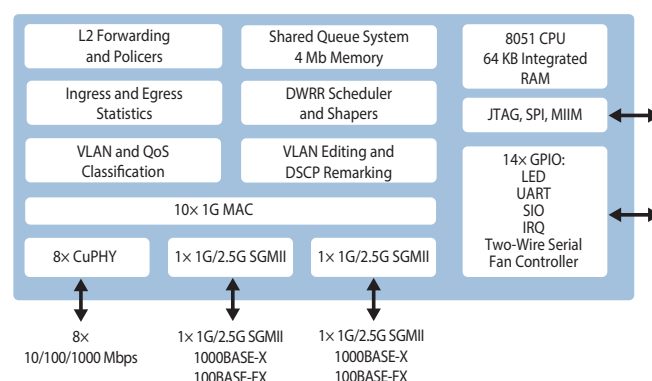
### Key Specifications

- 1 V core power supply
- 2.5 V I/O power supplies

### Related Microsemi Products

Visit [www.microsemi.com](http://www.microsemi.com) for information about these related Microsemi products:

- Ethernet switches
- 1G copper PHYs



## X-ON Electronics

Largest Supplier of Electrical and Electronic Components

*Click to view similar products for [Ethernet ICs category](#):*

*Click to view products by [Microchip manufacturer](#):*

Other Similar products are found below :

[EZFM6324A S LKA5](#) [EZFM6364A S LKA7](#) [12200BS23MM](#) [SBL2ECHIP-236IR](#) [EZFM5224A S LKA3](#) [VSC8522XJQ-02](#) [WGI219LM](#)  
[SLKJ3](#) [EZFM6348A S LKA6](#) [JL82599ES S R1VN](#) [WGI219V SLKJ5](#) [BCM84793A1KFSBG](#) [BCM56680B1KFSBLG](#) [BCM56960B1KFSBG](#)  
[BCM56842A1KFTBG](#) [BCM56450B1KFSBG](#) [EZX557AT S LKW4](#) [ELX550AT2 S LL2E](#) [ELX550AT S LLFT](#) [KTI225IT S LNNK](#)  
[KTI225IT S LNNL](#) [BCM56864A1IFSBG](#) [WGI219LM SLKJ2](#) [KSZ8462FHLLI](#) [KSZ8081RNDIA-TR](#) [78Q2123R/F](#) [LAN91C111I-NS](#)  
[LAN91C111-NS](#) [78Q2133/F](#) [KSZ8841-16MVLI](#) [KSZ8842-PMQLI](#) [KSZ8893MQLI](#) [KSZ8993ML](#) [KSZ8995M](#) [KSZ9021GN](#)  
[BCM84848A1KFSBG](#) [VSC7426XJG-02](#) [SJA1105ELY](#) [VSC8530XMW-04](#) [X550T2BLK](#) [X550T2](#) [KSZ8091MNXCA](#) [KSZ8842-16MVLI](#)  
[KSZ8893MQL](#) [VSC8244XHG](#) [VSC8211XVW](#) [W6100-L](#) [W6100-Q](#) [EGLXT973QCA3V-873178](#) [LAN8810-AKZE](#) [PPH](#)