

Features

- **Next Generation ZL880 VoicePort Family with Enhanced Features and Performance**
 - Same API interface as the *VE880 Series*
 - Low Bill of Materials (BOM) cost for 2 to 8 channel applications
- **Complete BORSCHT Functions for Two FXS Channels in a Single 64-Pin QFN Package**
 - Battery feed, Over-voltage support, integrated Ringing, line Supervision, Codec, Hybrid (2W/4W), and Test
- **Integrated Power Management**
 - Single power supply using integrated battery switches for lowest BOM cost
 - Low Power Idle Mode with 60 mW consumption
 - Internal FET drive circuit for lower BOM count
 - Integrated real-time power monitoring tool
- **Ringing**
 - 5 REN with pin for pin compatible 100-V (ZL88601) and 120-V (ZL88602) devices
 - Internally generated sinusoidal or trapezoidal ringing with programmable DC offset
- **Worldwide Programmability**
 - Input impedance, balance impedance, gain
 - DC feed voltage and current limit
 - Ringing frequency, voltage and current limit
 - G.711 A-law, μ -law, or 16 bit linear coding
 - Call progress tone and Caller ID generation
 - Sample coefficients for more than 70 countries
 - Per channel Wideband support
- **Pin-Selectable PCM/SPI or ZSI Interfaces**
 - SPI Mode 0 and 3 support with no inter byte \overline{CS} off time. Also supports legacy MPI Interface
 - ZSI Mode for a smaller number of interface signals to the host and less expensive isolation
- **VoicePath SDK and VP-API-II Software Available to Implement FXS Functions**
- **VeriVoice Software Suites Available for Manufacturing and Subscriber Loop Testing**

Document ID# 141956

October 2013

Ordering Information

Device OPN ⁽¹⁾	Device Type	Package	Packing
ZL88601LDF1	100V-ABS	64-pin QFN (9x9)	Tape & Reel
ZL88601LDG1	100V-ABS	64-pin QFN (9x9)	Tray
ZL88602LDF1	120V-ABS	64-pin QFN (9x9)	Tape & Reel
ZL88602LDG1	120V-ABS	64-pin QFN (9x9)	Tray

1. The Green package meets RoHS Directive 2002/95/EC of the European Council to minimize the environmental impact of electrical equipment.

Applications

- DSL Residential Gateways and Integrated Access Devices (IADs)
- Cable eMTAs
- PON Single Family Units (SFUs)
- Fiber to the Premise/Home/Building (FTTx) Multiple Dwelling Units (MDUs)

Description

The Microsemi® *Dual Channel Wideband ZL88601/602 Automatic Battery Switching (ABS) VoicePort Device* provides complete BORSCHT functions for two telephone line FXS ports. This device is a part of the new *ZL880 Series* featuring enhanced functionality, lower BOM cost, and greater power efficiency, while maintaining software compatibility with the industry leading *VE880 Series*.

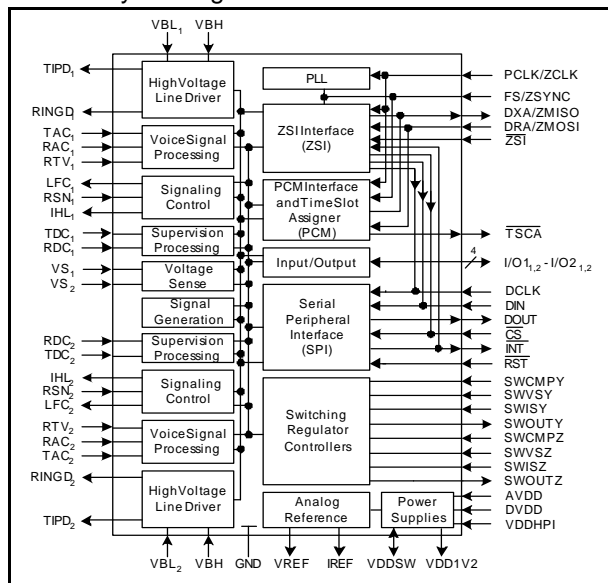


Figure 1 - ZL88601/602 Device Block Diagram

Table of Contents

1.0 Solution Overview	8
2.0 ZL88601/602 Device Overview and Block Diagram	9
2.1 VE880 Series Features	9
2.2 New and Enhanced Features	10
2.3 Device Block Diagram	11
3.0 Functional Description	12
3.1 Host Port Interface	12
3.1.1 PCM Interface and Time Slot Assigner	12
3.1.2 Serial Peripheral Interface (SPI)	14
3.1.3 ZSI Serial Mode	17
3.2 Input / Output Block	17
3.3 Voltage Sense	18
3.4 Voice Signal Processor	18
3.4.1 Impedance Synthesis	19
3.4.2 Frequency Response Correction and Equalization	19
3.4.3 Transhybrid Balancing	19
3.4.4 Gain Adjustment	19
3.4.5 Transmit Signal Processing	19
3.4.6 Receive Signal Processing	20
3.4.7 Speech Coding	20
3.4.8 Wideband Operation	20
3.5 Signal Generation	20
3.5.1 Multi-Tone Generation	20
3.5.2 Frequency and Amplitude Modulation	21
3.5.3 Triangular and Trapezoidal Signal Generation	22
3.6 Low Power DC Feed	22
3.7 Normal DC Feed	22
3.8 Test Feed	23
3.9 Ringing	24
3.9.1 Balanced Ringing	24
3.9.2 Unbalanced Ringing	24
3.9.3 Switch Hook Detection	25
3.9.4 Ring Trip Detection	25
3.10 Subscriber Line Testing	26
3.10.1 VeriVoice Professional Test Suite Software for the ZL880	26
3.11 Manufacturing Testing	26
3.12 Metering	27
3.13 Switching Regulator Controller	27
3.14 Charge Pump Regulator and MOSFET Gate Driver	28
4.0 Electrical Specifications	29
4.1 Absolute Maximum Ratings	29
4.2 Thermal Performance	30
4.3 Operating Ranges	30
4.3.1 Recommended Operating Conditions	30
5.0 Electrical Characteristics	31
5.1 Test Conditions	31
5.2 Supply Currents and Power Dissipation	31
5.3 DC Characteristics	32
5.4 DC Feed and Signaling - All States Except Low Power Idle Mode	33
5.5 DC Feed and Signaling - Low Power Idle Mode State	33
5.6 Metering	33
5.7 Ringing	34

5.8	Switching Regulator Controller	34
5.9	Charge Pump Controller and MOSFET Driver	35
5.10	Voice ADC Signal Sense Accuracy	35
5.11	Supervision ADC Signal Sense Accuracy	36
5.12	Transmission Characteristics - Narrowband Codec Mode	37
5.13	Attenuation Distortion - Narrowband Codec Mode	38
5.14	Discrimination Against Out-of-Band Input Signals - Narrowband Codec Mode	38
5.15	Discrimination Against 12- and 16-kHz Metering Signals - Narrowband Codec Mode	39
5.16	Spurious Out-of-Band Signals at the Analog Output - Narrowband Codec Mode	39
5.17	Overload Compression - Narrowband Codec Mode	40
5.18	Gain Linearity - Narrowband Codec Mode	41
5.19	Total Distortion Including Quantizing Distortion - Narrowband Codec Mode	42
5.20	Group Delay Distortion - Narrowband Codec Mode	43
5.21	Transmission Characteristics - Wideband Codec Mode	44
5.22	Attenuation Distortion - Wideband Codec Mode	45
5.23	Group Delay Distortion - Wideband Codec Mode	46
6.0	Switching Characteristics and Waveforms	47
6.1	PCM and SPI Mode	47
6.1.1	SPI Interface	47
6.1.2	PCM Interface	49
6.2	ZSI Interface	51
6.3	Switcher Output Timing	52
7.0	Device Pinout	54
8.0	Application Information	57
8.1	Line Interface Circuit	57
8.2	Line Interface Circuit Bill of Materials	58
8.3	Switching Regulator Circuit	59
8.4	Switching Regulator Circuit Bill of Materials	60
9.0	Programming the ZL88601/602	61
9.1	Programmable Features	61
9.2	VoicePath SDK Overview	61
9.3	VoicePath API-II Software Overview	62
9.3.1	Introduction	62
9.3.2	Customer Application	62
9.3.3	VoicePath API-II	62
9.3.4	Hardware Abstraction Layer	62
9.3.5	System Services Layer	63
9.4	System Configuration Functions	63
9.5	Initialization	63
9.6	Line State Control	64
9.6.1	VP_LINE_DISABLED	64
9.6.2	VP_LINE_DISCONNECT	64
9.6.3	VP_LINE_STANDBY	64
9.6.4	VP_LINE_OHT	64
9.6.5	VP_LINE_ACTIVE, VP_LINE_TALK	65
9.6.6	VP_LINE_TIP_OPEN	65
9.6.7	VP_LINE_RINGING	65
9.6.8	VP_LINE_HOWLER	65
9.7	Line Status Monitoring	65
9.8	Input / Output Control	66
10.0	VP-API-II Profiles	67
10.1	Profile Wizard Project Definition	67
10.2	Profile Wizard Main Menu	68
10.3	Device Profile	69

10.3.1 Overview	69
10.4 AC FXS Profiles	70
10.5 DC Profile	71
10.6 Ringing Profile	72
10.7 Tone Profile	73
10.8 Tone Cadence Profile	74
10.9 Ringing Cadence Profile	75
10.10 Caller ID Profile	76
10.11 Metering Profile	77
11.0 Package Outline	78
12.0 Related Collateral	80
12.1 Documentation	80
12.2 Development Hardware	80
12.3 Development Software	80

List of Figures

Figure 1 - ZL88601/602 Device Block Diagram	1
Figure 2 - ZL880 Dual-Channel VoicePort Solution Diagram	8
Figure 3 - ZL88601/602 Device Block Diagram	11
Figure 4 - PCM Highway Structure	12
Figure 5 - Transmit PCM Interface	13
Figure 6 - Receive PCM Interface	13
Figure 7 - PCM Data Flow Transmit and Receive Data (Transmit Data on Negative PCLK Edge)	14
Figure 8 - 4-Wire SPI Connection to Host Processor	15
Figure 9 - SPI Mode 3 Interface Timing	16
Figure 10 - MPI Interface Timing	16
Figure 11 - ZSI Timing Protocol	17
Figure 12 - Voice Signal Processing Block Diagram	18
Figure 13 - Multi-Tone Generation	21
Figure 14 - Frequency Tone Modulation	21
Figure 15 - Trapezoidal Signal Generation	22
Figure 16 - Normal DC Feed I / V Characteristic	23
Figure 17 - Balanced Ringing with Fixed Supply	24
Figure 18 - Unbalanced Ringing with Fixed Supply	24
Figure 19 - Metering Pulse Definitions	27
Figure 20 - Transmit (A to D) Path Attenuation vs. Frequency	38
Figure 21 - Receive (D to A) Path Attenuation vs. Frequency	38
Figure 22 - Discrimination Against Out-of-Band Signals	39
Figure 23 - Spurious Out-of-Band Signals	40
Figure 24 - Analog-to-Analog Overload Compression	41
Figure 25 - A-law Gain Linearity with Tone Input (Both Paths)	41
Figure 26 - μ -law Gain Linearity with Tone Input (Both Paths)	42
Figure 27 - Total Distortion with Tone Input (Both Paths)	42
Figure 28 - Group Delay Distortion	43
Figure 29 - Transmit (A to D) Path Attenuation vs. Frequency- (with High-Pass Filter Enabled)	45
Figure 30 - Receive (D to A) Path Attenuation vs. Frequency	45
Figure 31 - Group Delay Distortion	46
Figure 32 - SPI Interface (Input Mode)	48
Figure 33 - SPI Interface (Output Mode)	48
Figure 34 - PCM Highway Timing for XE = 0 (Transmit on Negative PCLK Edge)	50
Figure 35 - PCM Highway Timing for XE = 1 (Transmit on Positive PCLK Edge)	50
Figure 36 - PCM Clock Timing	51
Figure 37 - ZSI Interface Timing Protocol	52
Figure 38 - Switcher Output Waveform SWOUTY, SWOUTZ	53
Figure 39 - ZL88601/602 Device Pinout (QFN-64) - Top View	54
Figure 40 - ZL88601/602 Line Interface Circuit	57
Figure 41 - ABS Switching Regulator Circuit	59
Figure 42 - VP-API-II Software Architecture	62
Figure 43 - Profile Wizard Screen - Creating a New Project	68
Figure 44 - Profile Wizard - Main Menu	68
Figure 45 - Profile Wizard - Device Profile Configuration	69
Figure 46 - Profile Wizard - DC Profile Configuration Example	71
Figure 47 - Profile Wizard - Ringing Profile Configuration Example	72
Figure 48 - Profile Wizard - Tone Profile Configuration Example	73

Figure 49 - Profile Wizard - Tone Cadence Profile Example	74
Figure 50 - Profile Wizard - Ringing Cadence Profile Example	75
Figure 51 - Profile Wizard - Type 1 Caller ID Profile Example	76
Figure 52 - Profile Wizard - Metering Profile Example	77
Figure 53 - ZL88601/602 (QFN-64) Package Drawing	78
Figure 54 - Recommended Land Pattern (QFN-64) - Top View	79

CONFIDENTIAL

List of Tables

Table 1 - Maximum Number of Transmit or Receive Channels	13
Table 1 - SPI Interface Signals	14
Table 2 - VP-API-II Functions for Gain Adjustment	19
Table 3 - VP-API-II Functions for Speech Coding	20
Table 4 - VP-API-II Functions Using Signal Generators	20
Table 5 - VP-API-II Functions for Howler Tone Generation	22
Table 6 - DC Feed and Battery Switch Programmable Parameters	23
Table 7 - Ring Trip Parameters	25
Table 8 - Power Dissipation	31
Table 9 - Out of Band Discrimination, Narrowband Codec Mode	39
Table 10 - VP-API-II Functions for System Services	63
Table 11 - VP-API-II Functions for System Configuration	63
Table 12 - VP-API-II Functions for Line State Control	64
Table 13 - VP-API-II Functions for Line Status Monitoring	65
Table 14 - VP-API-II Functions for Configuring and Accessing I/O Lines	66
Table 15 - VP-API-II Profile Types	67
Table 16 - VP-API-II Functions for Device Configuration	69
Table 17 - Supported AC Source Impedances	70
Table 18 - VP-API-II Functions Using AC FXS Profile	70
Table 19 - VP-API-II Functions for DC Feed and Hook Detection Configuration	71
Table 20 - VP-API-II Functions for Ringing and Ring Trip Definition	72
Table 21 - VP-API-II Function Using Tone Profile	73
Table 22 - VP-API-II Function For Tone Cadencing	74
Table 23 - VP-API-II Functions For Ringing Cadencing	75
Table 24 - VP-API-II Functions for Caller ID	76
Table 25 - VP-API-II Functions for Metering	77

1.0 Solution Overview

The ZL880 VoicePort Series represents Microsemi's next generation solution for cable eMTAs, fiber PON SFUs, Integrated Access Devices, DSL Gateways, and other telephony products for worldwide markets.

The ZL880 VoicePort Series consists of the following three components:

1. ZL88601/602 Auto Battery Switching (ABS) or the ZL88701/702 Tracking Battery Device
2. VoicePath API-II (VP-API-II) Software
3. Profiles Data Structures

To support the ZL880 VoicePort Series, Microsemi offers a comprehensive VoicePath Software Development Kit (SDK) and hardware reference designs.

The ZL88601/602 device implements a dual-channel Automatic Battery Switching (ABS) universal telephone line interface with pin-selectable PCM and SPI or ZSI serial digital interfaces. The ZL88601/602 device performs all necessary voice telephony functions from driving a high voltage subscriber telephone line to DSP codec functions for two lines. All AC, DC, and signaling parameters are fully programmable via the PCM and SPI or reduced pin-count ZSI interfaces. The ZL88601/602 device features integrated switching controllers which generate the high voltages needed for efficiently powering and ringing analog telephones. The high performance architecture permits high efficiency in all operating states and corresponding low power consumption. Additionally, the ZL88601/602 has self-test and line test support to allow the system to resolve faults to the line or line circuit. The integrated digital access to important line information such as AC and DC line voltages on Tip or Ring and Metallic or Longitudinal currents is crucial for remote applications where dedicated test hardware is not cost effective.

The VoicePath API-II (VP-API-II) software initializes each FXS port coefficient data containing application or country-specific AC and DC parameters, ringing and other signaling characteristics, and configures the switcher. VP-API-II resides on the customer's VoIP processor or SoC and provides high-level control over the telephony functions. VP-API-II offers a seamless migration between products utilizing its common software architecture and interfaces with the Microsemi VeriVoice Professional Test Suite Software.

A Microsoft® Windows® GUI (Graphical User Interface) application, VoicePath Profile Wizard (VP Profile Wizard), allows the user to select the operating parameters of the FXS channels and to automatically generate the sets of data structures, called Profiles, that are required by the VP-API-II for integration with the VoIP host software.

Figure 2 shows a high-level solution diagram with a ZL880 device, VP-API-II and Profiles.

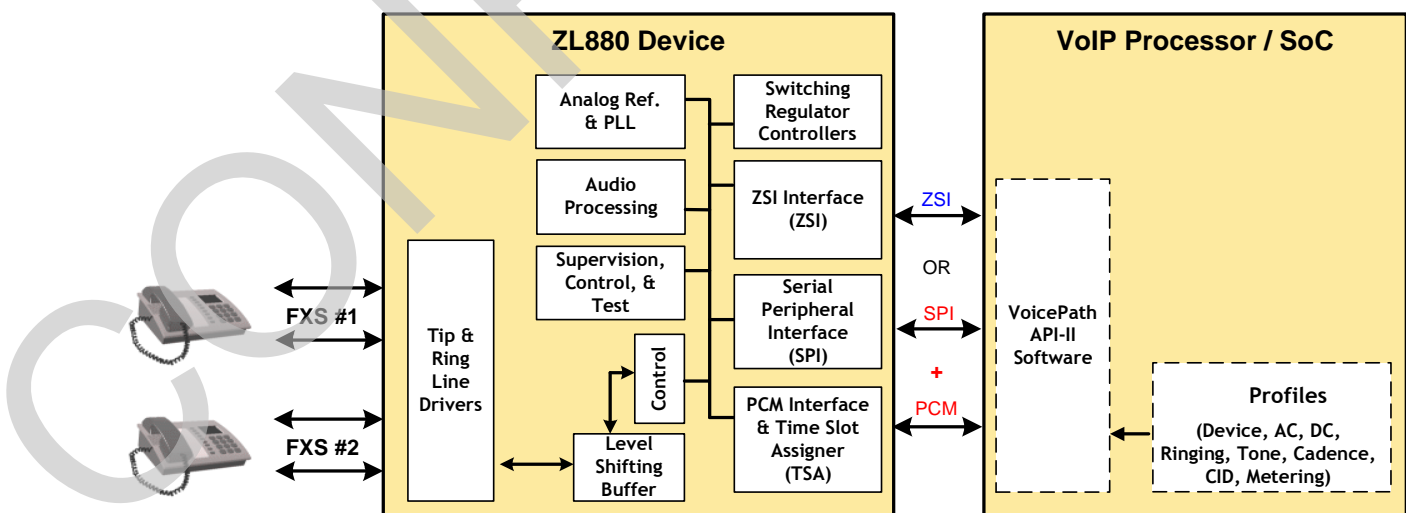


Figure 2 - ZL880 Dual-Channel VoicePort Solution Diagram

2.0 ZL88601/602 Device Overview and Block Diagram

2.1 VE880 Series Features

The ZL88601/602 device supports the following standard FXS features, which are common with the *VE880 Series*:

- Performs all Battery feed, Ringing, Signaling, Coding, Hybrid and Test (BORSCHT) functions
- Single chip solution provides high voltage line driving, digital signal processing, and high voltage power generation for two lines
- Wideband 7 kHz and Narrowband 3.4 kHz codec modes
- Exceeds *Telcordia*[®] *GR-909-CORE* transmission requirements
- Single hardware design meets worldwide requirements through software programming of:
 - Ringing waveform, frequency and amplitude
 - DC loop-feed characteristics and current limit
 - Loop-supervision detection thresholds
 - Off-hook debounce circuit
 - Ground-key and ring-trip filters
 - Two-wire AC impedance
 - Transhybrid balance impedance
 - Transmit and receive gains
 - Transmit and receive equalization
 - Digital I/O pins
 - A-law/ μ -law and linear coding selection
 - Switching power supply
- Supports both loop-start and ground-start signaling
- On-hook transmission
- Power/service denial mode
- Smooth polarity reversal
- Supports wink function
- Metering generation with envelope shaping
 - Programmable frequency and duration
- Internal Test Termination
- Compatible with inexpensive protection networks
- Self-contained ringing generation and control
 - Programmable ringing cadencing
 - Internal battery-backed balanced or unbalanced, sinusoidal or trapezoidal ringing
 - Integrated ring-trip filter and software enabled manual or automatic ring-trip mode
- Flexible tone generation
 - Call progress tone generation
 - DTMF tone generation
 - Universal Caller ID generation (FSK and DTMF signaling)
 - Howler tone generation with *VP-API-II*
- Integrated switching regulator controller
 - Can generate the battery voltages for each line
 - Good efficiency in all states
 - Low idle-power per line
 - Line-feed characteristics independent of battery voltage
- Monitors two-wire interface voltages and currents for subscriber line diagnostics implemented by *VeriVoice Professional Test Suite Software*
- Supported by *VeriVoice Manufacturing Test Package*
- Can monitor and/or drive Tip and Ring independently
- Built-in voice-path test modes
- Integrated self-test features
- 100% compatible with *VoicePath SDK* and *VP-API-II*
- Small physical size in 9x9 mm 64-pin QFN
- –40°C to 85°C operation

2.2 New and Enhanced Features

In addition to the standard *VE880 Series* FXS features, the ZL88601/602 features the following enhancements and new capabilities for greater power efficiency and lower system cost:

- New *ZL880 Series* family with a core operating at 1.2 V_{DC}
 - Internal 1.2 V_{DC} regulator
- Lowers BOM cost:
 - Direct FET driver
 - Smaller value/size/cost switcher output capacitors
 - Eliminates the need for external diodes for protecting SLIC against positive surges
 - Smaller and less expensive capacitors at the SLIC battery input pins
 - Smaller and less expensive C_{TAC} and C_{RAC} capacitors
- Low-Power Idle Mode (LPIM) with 60 mW typical power consumption per channel
 - Voltage-based off-hook detection
- Supervision ADC for advanced testing, improved calibration and adaptive power management
 - Can monitor up to 5 signals in multiplexed mode, such as VTIP, VRING, IM, IL, and VBH
 - Two pins for sensing external voltages ranging from -180 V to +60 V
- Improved DC leakage measurements
 - Facilitated by increasing the value of the DC sense resistors to 1.0 MΩ
- Over current monitoring and blanking
 - New programmable options and thresholds
- Improved hook and ground key detection with hysteresis and calibrated thresholds
 - Simultaneous ground key / DC fault detection
- Enhanced SPI Interface
 - Eliminates the need for \overline{CS} off requirement between data bytes
 - Up to 3 times higher effective bandwidth
 - Support for SPI Modes 0 and 3
- ZSI Interface option requires fewer serial interface signals to the host
 - Only 4 ZSI signals required compared to 9 for PCM and SPI
 - Less expensive system isolation cost
- Programmable PCM and SPI or ZSI interface voltage
 - Supports communication with host processors at 1.8 V, 2.5 V or 3.3 V
- Upgraded command set
 - Per-channel Wideband sampling mode
 - On-chip timer functions
 - Tone generators add frequency modulation capability for compliance with *BT*, *NTT*, and *Austel* special Howler tone requirements
 - Upgraded ring-trip algorithm
- Comprehensive device calibration capabilities
 - Shorter calibration time
 - No need to generate voltages to the Tip/Ring interface
 - Longitudinal operating point calibration
 - Programmable loop current dependent overhead

2.3 Device Block Diagram

Figure 3 shows the major functional blocks of the ZL88601/602 device.

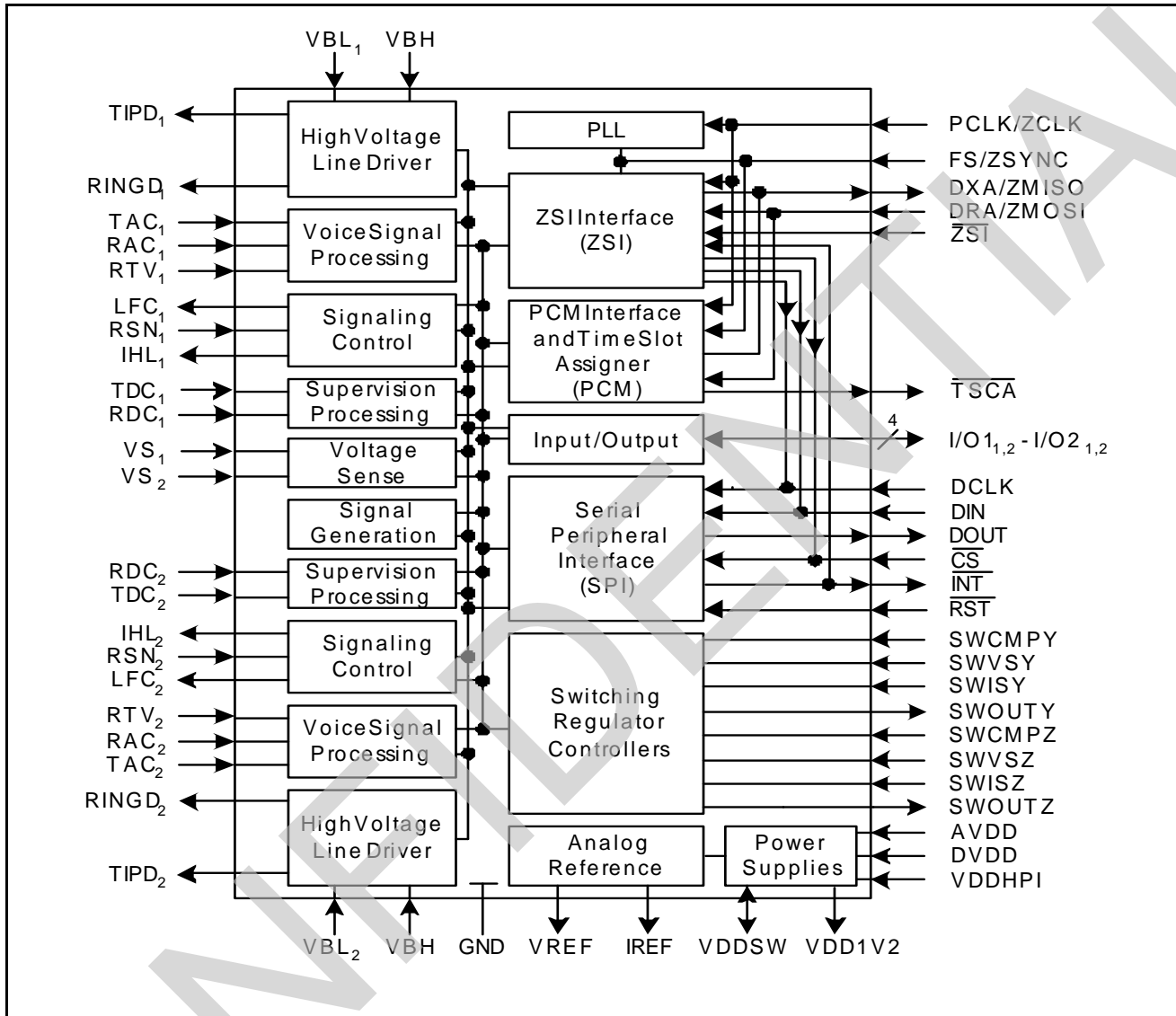


Figure 3 - ZL88601/602 Device Block Diagram

3.0 Functional Description

3.1 Host Port Interface

The ZL88601/602 device features a flexible host port interface which is hardware-selectable for communicating with VoIP processors and SoCs using standard PCM and SPI or the reduced pin-count ZSI interfaces.

The host port interface voltage level (VDDHPI) can be set for 1.8 V, 2.5 V, or 3.3 V for maximum system-level compatibility. The host port interface supports the standard telecommunications clock rates of 1.024 MHz, 1.536 MHz, 2.048 MHz, 3.072 MHz, 4.096 MHz, 6.144 MHz, and 8.192 MHz with a Frame Sync (FS) of 8 kHz.

The host port supports two modes of operation: 1) PCM and SPI and 2) ZSI, selected by the $\overline{\text{ZSI}}$ pin.

3.1.1 PCM Interface and Time Slot Assigner

The PCM Interface and Time Slot Assigner (PCM block) is a synchronized serial mode of communication between the system and the ZL88601/602 device. In PCM mode, voice data can be transmitted/received on a serial PCM highway. This highway uses Frame Sync (FS) and PCLK as reference. The host port interface operates in this mode if the $\overline{\text{ZSI}}$ pin is pulled high.

Data is transmitted out of the DXA pin and received on the DRA pin. The ZL88601/602 device transmits/receives single 8-bit time slot (A-law/ μ -law) compressed voice data or two contiguous time slot 16-bit two's complement linear voice data. The PCLK is a data clock supplied to the device that determines the rate at which the data is shifted in/out of the PCM ports. The FS pulse identifies the beginning of a transmit/receive frame and all time slots are referenced to it. For the ZL88601/602 device, the frequency of the FS signal is 8 kHz. In Wideband mode, two evenly spaced sets of time slots are exchanged in each frame. The PCLK frequency can be a number of fixed frequencies as defined by the *VP-API-II*. Please refer to [Figure 45, "Profile Wizard - Device Profile Configuration" on page 69](#) for an example setting of the Transmit and Receive Clock Slots, PCM Transmit Edge, and PCLK Frequency.

The *VP-API-II* allows the time slots to be offset to eliminate any clock skew in the system. The Transmit Clock Slot and Receive Clock Slot fields are each three bits wide to offset the time slot assignment by 0 to 7 PCLK periods. The Transmit and Receive Clock Slot is a global command that is applied at the device level. Thus, for each channel, two time slots must be assigned: one for transmitting voice data and the other for receiving voice data. [Figure 4](#) shows the PCM highway time slot structure.

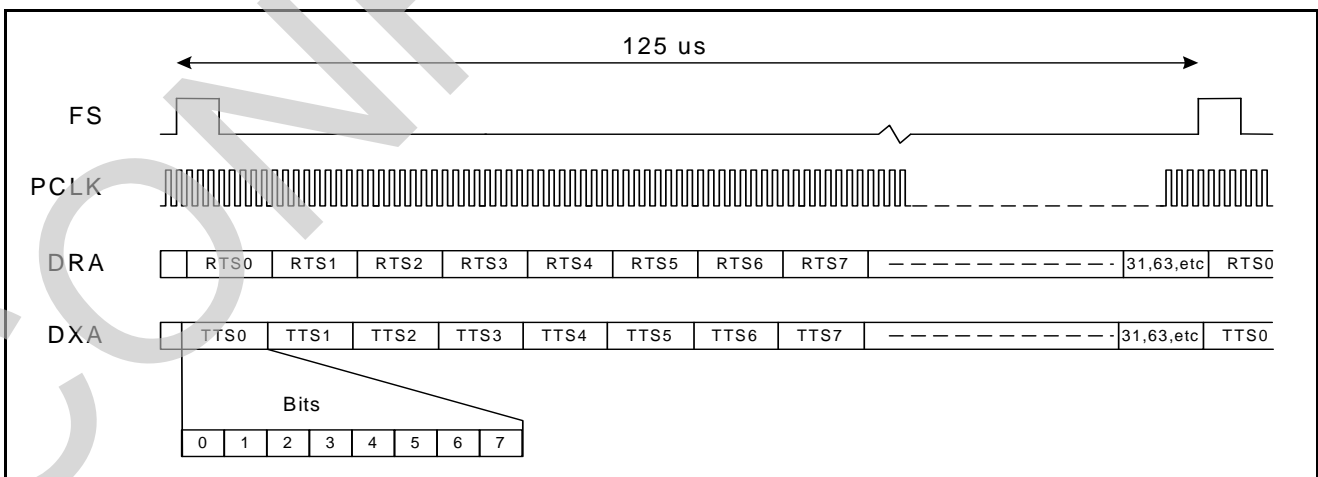


Figure 4 - PCM Highway Structure

3.1.1.1 Transmit PCM Interface

The Transmit PCM interface receives an 8-bit compressed code (A-law/ μ -law) or a 16-bit two's complement linear code from the voice signal processor (compressor). The transmit PCM interface logic (shown in [Figure 5](#)) controls the transmission of the data onto the PCM highway through the output port selection circuitry and the time and clock slot control block. The data can be transmitted on either edge of the PCLK, as selected in the *Device Profile*.

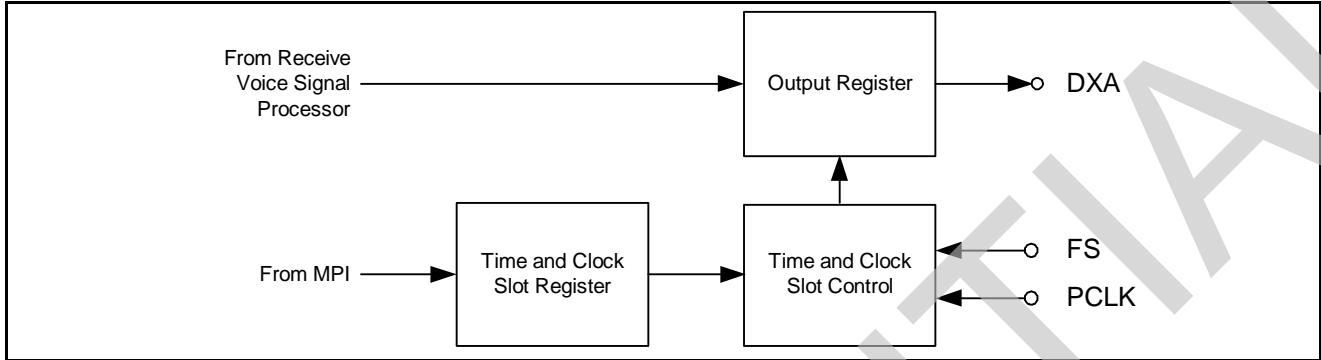


Figure 5 - Transmit PCM Interface

The *VP-API-II* allows the time slot of the selected channel to be programmed. The Transmit Time Slot Register is 7 bits wide and allows up to 128 8-bit time slots in each frame, depending on the value of the PCLK frequency, the encoding scheme, and whether Narrowband or Wideband modes are selected. Refer to [Table 1](#) below for the maximum number of available channels. Please note that linear mode requires two back-to-back time slots to transmit one voice channel. The data is transmitted in bytes with the most significant bit first. Wideband mode requires twice the number of transmit time slots as Narrowband linear mode.

Audio Mode	Encoding	1.024 MHz	2.048 MHz	4.096 MHz	8.192 MHz
Narrowband (8 kHz sampling)	8-bit compressed A-law/ μ -law	16	32	64	128
	16-bit linear	8	16	32	64
Wideband (16 kHz sampling)	16-bit linear	4	8	16	32

Table 1 - Maximum Number of Transmit or Receive Channels

3.1.1.2 Receive PCM Interface

The receive PCM interface logic (see [Figure 6](#)) controls the reception of data bytes from the PCM highway. 8-bit compressed (A-law/ μ -law) or 16-bit two's complement linear data is formatted and passed to the voice signal processor (expander).

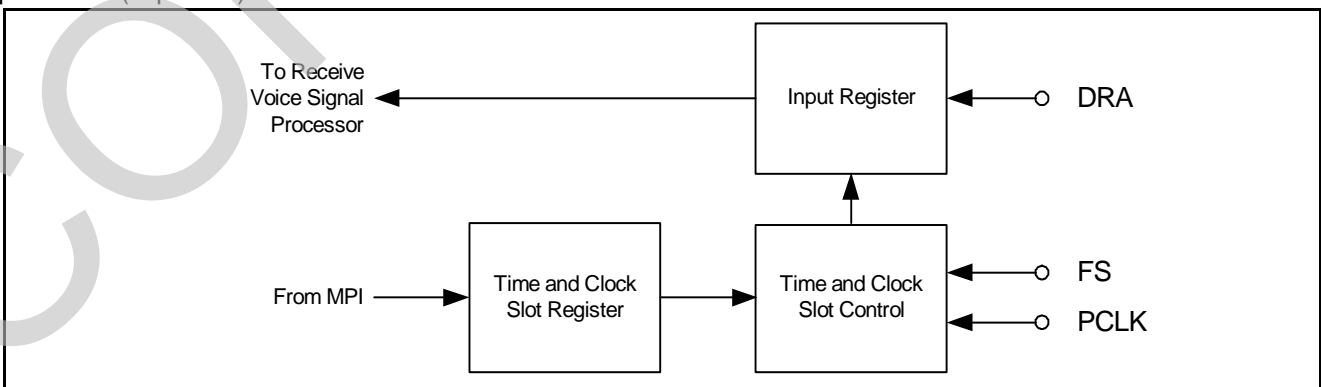


Figure 6 - Receive PCM Interface

The VP-API-II allows the time slot of the selected channel to be programmed. The Receive Time Slot Register is 7 bits wide and allows up to 128 8-bit time slots in each frame. Refer to [Table 1 on page 13](#) for the maximum number of available channels. Please note that linear mode requires two back-to-back time slots to receive one voice channel. The data is transmitted in bytes with the most significant bit first. Wideband mode requires twice the numbers of receive time slots as Narrowband linear mode. Please refer to [“VP-API-II Functions for Speech Coding” on page 20](#) for more details about setting the codec mode and transmit and receive time slots. [Figure 7](#) illustrates data flow on the PCM highway with data transmitted on the negative PCLK edge.

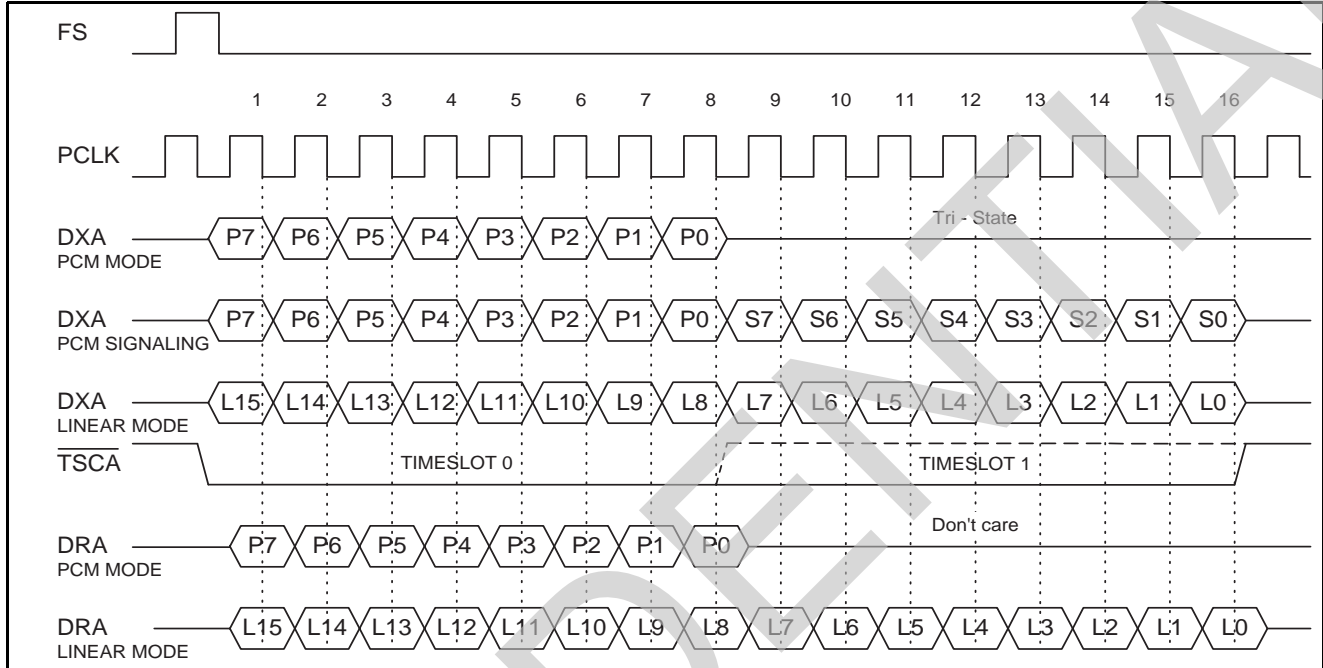


Figure 7 - PCM Data Flow Transmit and Receive Data (Transmit Data on Negative PCLK Edge)

3.1.2 Serial Peripheral Interface (SPI)

The Serial Peripheral Interface (SPI) block communicates with external VoIP processors over a flexible half-duplex synchronous serial interface. This port is always a slave to the host processor's SPI port which provides clocking, chip select and initiates transactions.

3.1.2.1 SPI Signals

The SPI port physically consists of a serial data input (DIN) serial data output (DOUT), a data clock (DCLK), and a chip select (CS).

Signal Name	Type	Description
DCLK	Input	Serial Clock
$\overline{\text{CS}}$	Input	Chip or Slave Select, active low
DOUT	Output	Master Input Slave Output
DIN	Input	Master Output Slave Input

Table 1 - SPI Interface Signals

3.1.2.2 Interrupt Signal

An optional interrupt signal ($\overline{\text{INT}}$) is available to alert the host processor that the device has status information. It is recommended that the INT signal be tied to an interrupt-generating pin on the host processor. If the interrupt signal is not used, the host processor will need to regularly poll the device.

3.1.2.3 SPI Connection Diagram

Figure 8 below shows a the standard 4-Wire SPI connection to the host processor. The optional $\overline{\text{INT}}$ signal is also shown here.

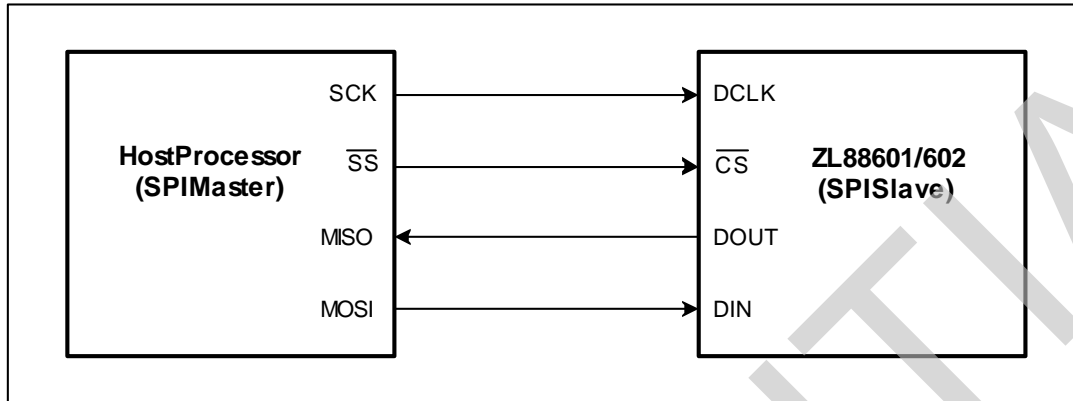


Figure 8 - 4-Wire SPI Connection to Host Processor

The ZL88601/602 device also supports 2- and 3-wire variants of the SPI interface in case of limitations on the host's serial port. Contact *Microsemi CMPG Customer Applications* for more information.

3.1.2.4 Chip Select Settings

Three chip select settings are supported:

1. Low for each Byte or Word: $\overline{\text{CS}}$ goes inactive between bytes or words. This mode is compatible with the legacy MPI mode.
2. Command Framing: $\overline{\text{CS}}$ goes inactive on some command boundaries. Commands cannot be aborted in this mode. All required bytes are expected even if $\overline{\text{CS}}$ is de-asserted in the middle.
3. $\overline{\text{CS}}$ Hard-Wired Low: This can be used when the ZL88601/602 device is the only slave on the SPI bus, but additional measures are required to acquire synchronization if it is ever lost.

Whenever $\overline{\text{CS}}$ goes inactive the bit state machine is reset. Also, if $\overline{\text{CS}}$ has not been active for *exactly* a multiple of 8 bit times, any byte which was partially received when $\overline{\text{CS}}$ goes inactive is ignored.

3.1.2.5 DCLK Polarity and Phase Settings

The SPI standards include four modes, defined by the polarity of DCLK and the phase relationship between data and DCLK. The clock polarity (CPOL) is determined by the idle state of DCLK. If the idle state is low, CPOL is 0. If the idle state is high, CPOL is 1. The clock phase (CPHA) is determined by which edge that data is valid. If the data is valid on the first edge of DCLK, CPHA is 0. If the data is valid on the second edge of DCLK, CPHA is 1.

The ZL88601/602 device supports SPI Modes 0 (CPOL =0 and CPHA = 0) and 3 (CPOL =1 and CPHA = 1) and contains a logic block to automatically conform to the selected Mode. SPI Modes 1 (CPOL =0 and CPHA = 1) and 2 (CPOL =1 and CPHA = 0) are not supported.

Since the host processor is the master, it must place DCLK in the proper idle state before $\overline{\text{CS}}$ is asserted.

3.1.2.6 Length of Data Transactions

The SPI port on the ZL88601/602 device supports 8-bit (byte-wide) transactions. 16-bit transactions are not supported.

3.1.2.7 SPI Interface Timing

Figure 9 below shows a typical timing interface diagram for SPI Mode 3.

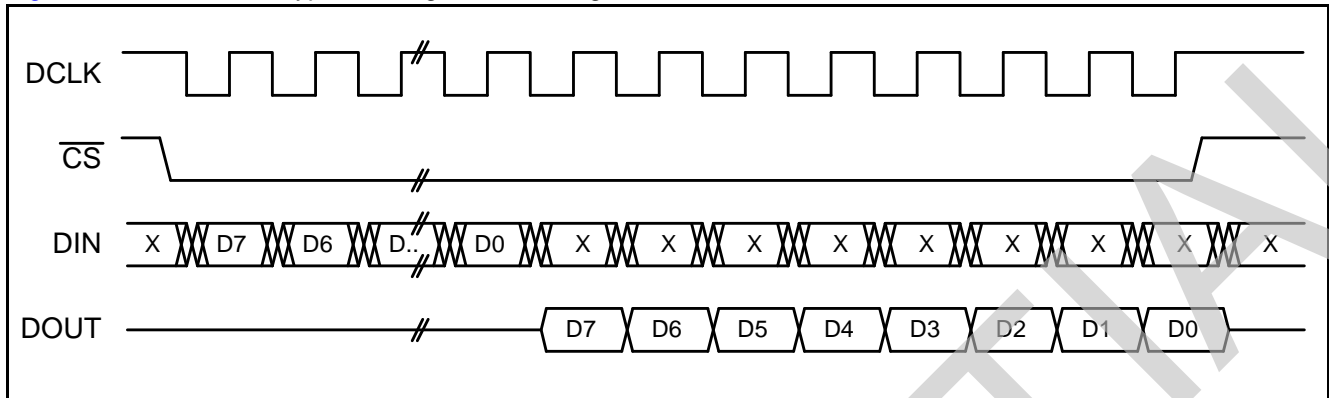


Figure 9 - SPI Mode 3 Interface Timing

3.1.2.8 MPI Interface

The Microprocessor Interface (MPI) is essentially a 4-Wire SPI Mode 3, with CS low for each byte and 8-bit data transactions. This interface has been historically used on numerous Microsemi VoicePort devices such as the VE880 Series. With the MPI interface, 8-bit commands can be followed with additional bytes of input data, or can be followed by the ZL88601/602 device sending out bytes of data. All data input and output is MSB (D7) first and LSB (D0) last. All data bytes are read or written one at a time, with CS going high for at least a minimum off period before the next byte is read or written. Only a single channel should be enabled during read commands.

All commands that require additional input data to the device must have the input data as the next N words written into the device (for example, framed by the next N transitions of CS). All unused bits must be programmed to 0 to ensure compatibility with future parts. All commands that are followed by output data will cause the device to output data for the next N transitions of CS going low. The ZL88601/602 device will not accept any commands until all the data has been shifted in or out. The output values of unused bits are not specified.

Figure 10 shows an example MPI mode interface timing, with DOUT changing on the negative edge of DCLK. DIN is sampled on the rising edge of DCLK.

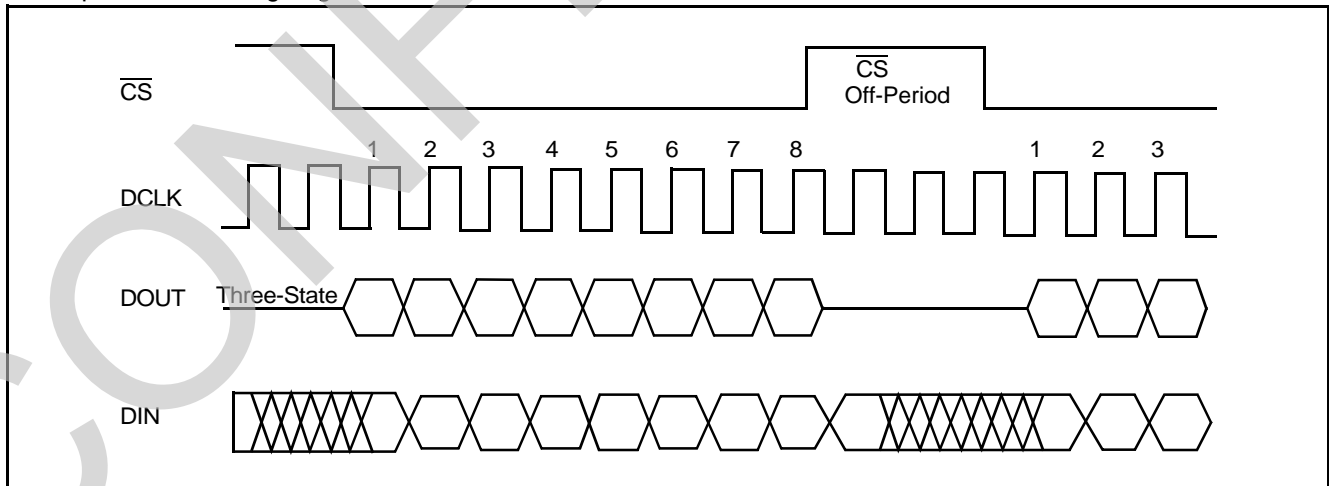


Figure 10 - MPI Interface Timing

An MPI cycle is defined by transitions of CS and DCLK. If the CS lines are held in the high state between accesses, the DCLK may run continuously with no change to the internal control data. Using this method, the same DCLK can be run to a number of ZL88601/602 devices and the individual CS lines will select the appropriate device to access. Between command sequences, DCLK can stay in a static state indefinitely with no loss of internal control

information regardless of any transitions on the \overline{CS} lines. Between bytes of a multi byte read or write command sequence, DCLK can also stay in a static high state indefinitely. If the host controller has a single bidirectional serial data pin, the DOUT pin of the ZL88601/602 device can be connected to its DIN pin.

If a low period of \overline{CS} contains less than 8 positive DCLK transitions, it is ignored. If it contains 8 or more positive transitions, the first 8 transitions will be interpreted as the first byte and the next 8 transitions will be treated as the second byte, etc. This allows the chip select input to be tied low permanently if desired.

3.1.3 ZSI Serial Mode

An alternative host interface supported by the ZL88601/602 device is a 4-wire interface called ZSI and is illustrated in [Figure 11](#). It is active when the \overline{ZSI} pin is tied to ground. Note that the ZSI serial interface must also be supported by the host processor or by a PCM/SPI to ZSI bus translator device such as the Le88004.

This interface supports separate PCM and control channels based on the level of the ZCLK. For receive signals (ZSYNC, ZMOSI) PCM data is valid when ZCLK is high and control data is valid when ZCLK is low. For the transmit ZMISO, PCM data is valid when ZCLK is low and control data valid when ZCLK is high. The control data is framed byte by byte in a similar way to the separate MPI interface on other VoicePort family products. Chip select status is carried on the ZSYNC signal and requires a chip select off time of at least one clock period. Interrupt status is communicated on the ZMISO control channel whenever the previous ZSYNC CS status is low. This is achieved by XORing the DXA data with the active high INT status.

The ZCLK rate can be 1.024 MHz, 1.536 MHz, 2.048 MHz, 3.072 MHz, 4.096 MHz, 6.144 MHz, or 8.192 MHz. The ZL88601/602 must be programmed to match the applied ZCLK frequency using the control channel. Both PCM and control data are transferred at the same ZCLK rate over the ZSI.

3.1.3.1 ZSI Timing

[Figure 11](#) shows the protocol for multiplexing the PCM and control signals onto the ZSI.

Note that chip select must be de-asserted at least one clock between bytes or a reset will be generated after 16 clocks.

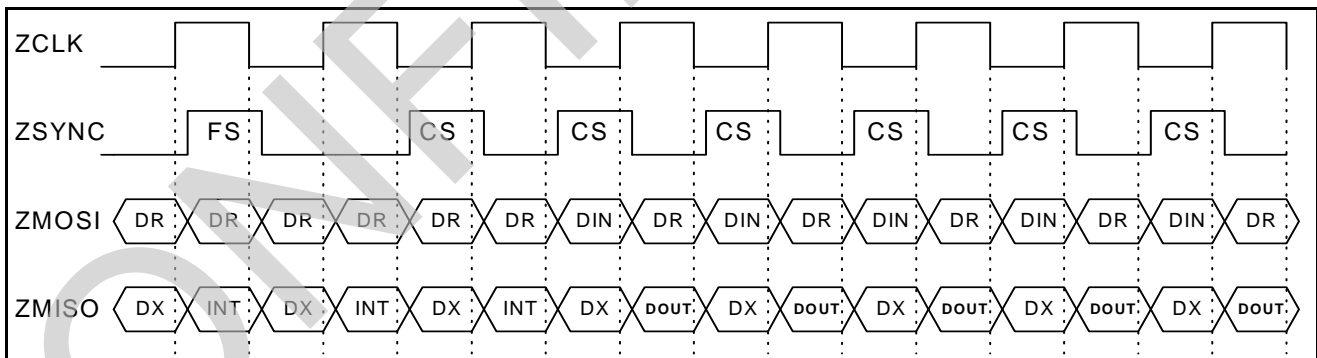


Figure 11 - ZSI Timing Protocol

3.2 Input / Output Block

The ZL88601/602 device features two dedicated and two optional general purpose input / output (I/O) pins. I/O₁ and I/O₂ can be configured by the user as inputs, outputs, or as high-current LED or relay drivers. I/O₂₁ and I/O₂₂ may be configured as general purpose digital inputs or outputs or as voltage sense pins (VS1 and VS2). When configured as inputs, I/O₂₁ and I/O₂₂ are capable of generating interrupts.

3.3 Voltage Sense

The voltage sense block allows the measurement of analog voltages at the pins VS1 and VS2, when they are configured as analog inputs. This makes it possible to monitor VSW and VBH or VBL in real time and make switcher optimizations based on their levels and to measure power consumption. An external 1.0-MΩ, 1% resistor needs to be connected between each of these pins and the voltages to be measured.

3.4 Voice Signal Processor

This block, shown in [Figure 12](#), performs digital signal processing for the transmission and reception of voice. It includes G.711 compression/decompression, impedance matching, filtering, gain scaling, DTMF generation and general-purpose tone generators for each channel. Additionally Caller ID (FSK and DTMF) and metering generation are provided.

This block performs the codec and filter functions associated with the four-wire section of the subscriber line circuitry in a digital switch. These functions involve converting an analog voice signal into digital PCM samples and converting digital PCM samples back into an analog signal. During conversion, digital filters are used to band-limit the voice signals.

The user-programmable filters perform the following functions:

- Sets the receive and transmit gain
- Performs the transhybrid balancing function
- Permits adjustment of the two-wire termination impedance
- Provides frequency attenuation adjustment (equalization) of the receive and transmit paths

Country- and standards-specific *Profiles* are available from Microsemi with pre-computed digital filter coefficients. The PCM codes can be either 16-bit linear two's-complement or 8-bit companded A-law or μ-law.

The ZL88601/602 device is architected in such a way as to reduce the real time demands on the host processor. An integrated cadencer/sequencer controls ringing and call progress tone generation. This feature can also generate timed interrupts and substantially reduces the user's need to implement time critical functions.

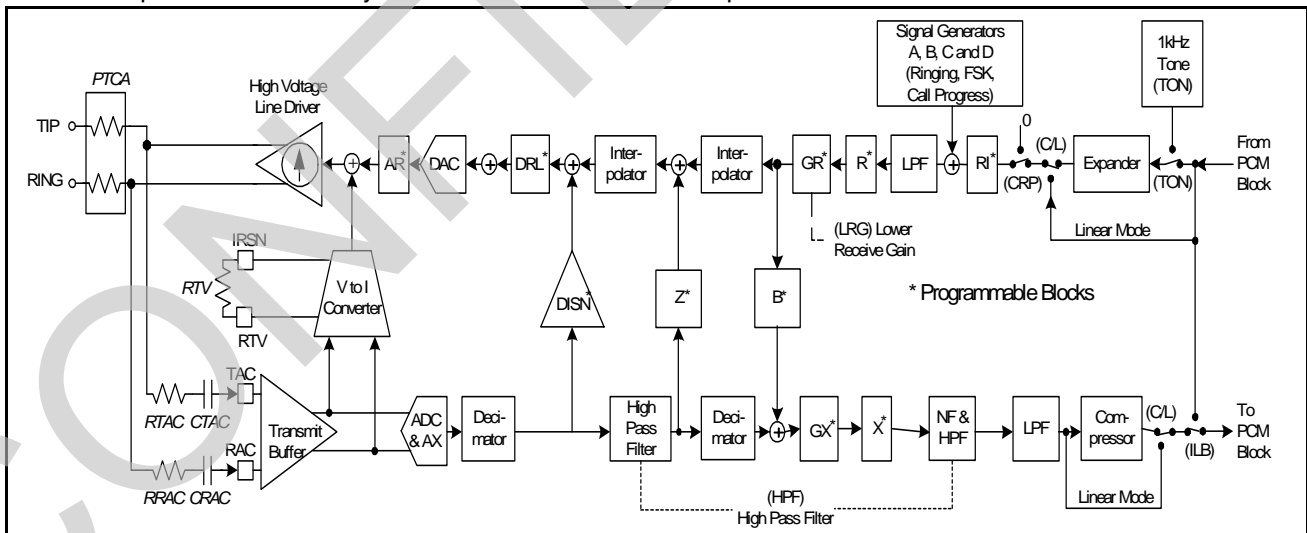


Figure 12 - Voice Signal Processing Block Diagram

3.4.1 Impedance Synthesis

The analog impedance synthesis loop is comprised of the SLIC block, the AC sense path components, the transmit amplifier, and a voltage to current converter. An external resistor, R_{TV} , synthesizes the nominal impedance in the analog domain. Additional refinement of the impedance is done in the DSP via the Digital Impedance Scaling Network (DISN) and Z-blocks.

The DISN path is comprised of the voice A/D and its first stage of decimation, a DISN, and the voice DAC. The 8-bit DISN synthesizes a portion of the AC impedance which appears in parallel with R_{TV} and is used to modify the impedance set by the external analog network.

The Z Filter is a programmable digital filter providing an additional path and programming flexibility over the DISN in modifying the transfer function of the synthesis loop. Together R_{TV} , DISN, and the Z Filter enable the user to synthesize virtually all required telephony device input impedances.

3.4.2 Frequency Response Correction and Equalization

The voice signal processor contains programmable filters in the receive (R) and transmit (X) directions that may be programmed for line equalization and to correct any attenuation distortion caused by the Z Filter.

3.4.3 Transhybrid Balancing

The voice signal processor's programmable B Filter is used to adjust transhybrid balance. The filter has a single pole Infinite Impulse Response (IIR) section and an eight-tap Finite Impulse Response (FIR) section, both operating at 16 kHz.

3.4.4 Gain Adjustment

The transmit path of the FXS has two programmable gain blocks. Gain block AX is an analog gain of 0 dB or 6.02 dB (unity gain or gain of 2.0), located immediately before the A/D converter. GX is a digital gain block that is programmable from 0 dB to +12 dB, with a worst-case step size of 0.1 dB for gain settings below +10 dB, and a worst-case step size of 0.3 dB for gain settings above +10 dB. The filters provide a net gain in the range of 0 dB to 18 dB. The receive voice path has three programmable gain blocks. GR is a digital loss block that is programmable from 0 dB to 12 dB, with a worst-case step size of 0.1 dB. DRL is a digital loss block of 0 dB or 6.02 dB. AR is an analog gain of 0 dB or 6.02 dB (unity gain or gain of 2) or a loss of 6.02 dB (gain of 0.5), located immediately after the D/A converter. This provides an attenuation in the range of 0 dB to 18 dB.

The gain adjustment block can also be accessed by a *VP-API-II* function directly, without using an *AC FXS Profile*.

Function Name	Description
VpSetRelGain()	Adjusts transmit and/or receive gain up to +/-6 dB. Relative gain of 1 (0 dB) defined as initial value programmed by <i>AC FXS Profile</i> . Note that the supplied <i>AC FXS Profiles</i> have initial gains of -6 dB receive and 0 dB transmit
VpSetOption()	VP_OPTION_ID_ABS_GAIN -- Programs absolute gain

Table 2 - VP-API-II Functions for Gain Adjustment

3.4.5 Transmit Signal Processing

In the transmit path (A/D) of the FXS, the AC Tip - Ring analog input signal is sensed by the TAC and RAC pins, buffered, amplified by the analog AX gain and sampled by the A/D converter, filtered, companded (for A-law or μ -law), and made available to the PCM blocks. If linear format is selected, the 16-bit data will be transmitted in two consecutive time slots starting at the programmed time slot. The B, X, and GX digital filter blocks are user-programmable digital filter sections. The first high-pass filter is for DC rejection, and the second high pass and notch filters reject low frequencies such as 50 Hz or 60 Hz.

3.4.6 Receive Signal Processing

In the receive path (D/A) of the FXS port, the digital signal is expanded (for A-law or μ -law), filtered, interpolated, converted to analog, and driven onto TIP and RING by the SLIC block. The AR, DRL, DISN, Z, R, and GR blocks are user-programmable filter sections.

3.4.7 Speech Coding

The A/D and D/A conversion follows either the A-law or the μ -law standard as defined in *ITU-T Recommendation G.711*. Alternate bit inversion is performed as part of the A-law coding. Linear code is an option on both the transmit and receive sides of the device. Two successive time slots are required for linear code operation. The linear code is a 16-bit two's-complement number which appears sign bit first on the PCM highway.

3.4.8 Wideband Operation

Each channel on the ZL88601/602 device can be set to operate in either Narrowband or Wideband mode under *VP-API-II* software control. In the Wideband mode, the nominal voice bandwidth is expanded and starts at 50 Hz or 200 Hz (depending on whether or not a high-pass and 50/60 Hz notch filter is enabled) to 7000 Hz to provide better voice quality. The *AC FXS Profiles* must be programmed with wideband coefficients. In the Wideband mode, the increased data rate is processed by accessing a second set of timeslots equally spaced in the frame.

Function Name	Description
VpSetOption()	VP_OPTION_ID_TIMESLOT -- Programs transmit and receive timeslot. VP_OPTION_ID_CODEEC -- Programs speech coding mode.
VpGetOption()	VP_OPTION_ID_TIMESLOT -- Retrieves current values of transmit and receive timeslot. VP_OPTION_ID_CODEEC -- Retrieves current speech coding mode.

Table 3 - VP-API-II Functions for Speech Coding

3.5 Signal Generation

Up to four programmable digital signal generators are available for the FXS channel. These signal generators can be programmed for multi-tone generation, amplitude and frequency modulation, and or the generation of complex sine, triangular or trapezoidal signals.

3.5.1 Multi-Tone Generation

In this configuration, up to four tone generators are summed into the output path, as shown in [Figure 13 on page 21](#). The Bias generator produces a DC bias that can be used to provide DC offset during ringing or DC test signals during diagnostics. This generator is automatically enabled when entering the VP_LINE_RINGING state.

Function Name	Description
VpSetLineTone()	Provides simultaneous generation of up to four tones. Note that with Tone Cadencing, tones can be enabled/disabled individually to provide Special Indication Tone (SIT).
VpSetLineState()	VP_LINE_RINGING and VP_LINE_RINGING_POLREV -- Uses Signal Generator A (and B for trapezoidal type ringing) with user selected frequency, offset, amplitude, and type.
VpSendSignal()	VP_SENDSIG_DTMF_DIGIT -- Generates a DTMF digit on the line.
VpInitCid()	Sending Caller ID (FSK and DTMF message data supported) on an FXS line. Providing Type 2 CID Alerting tone.
VpSendCid()	
VpContinueCid()	

Table 4 - VP-API-II Functions Using Signal Generators

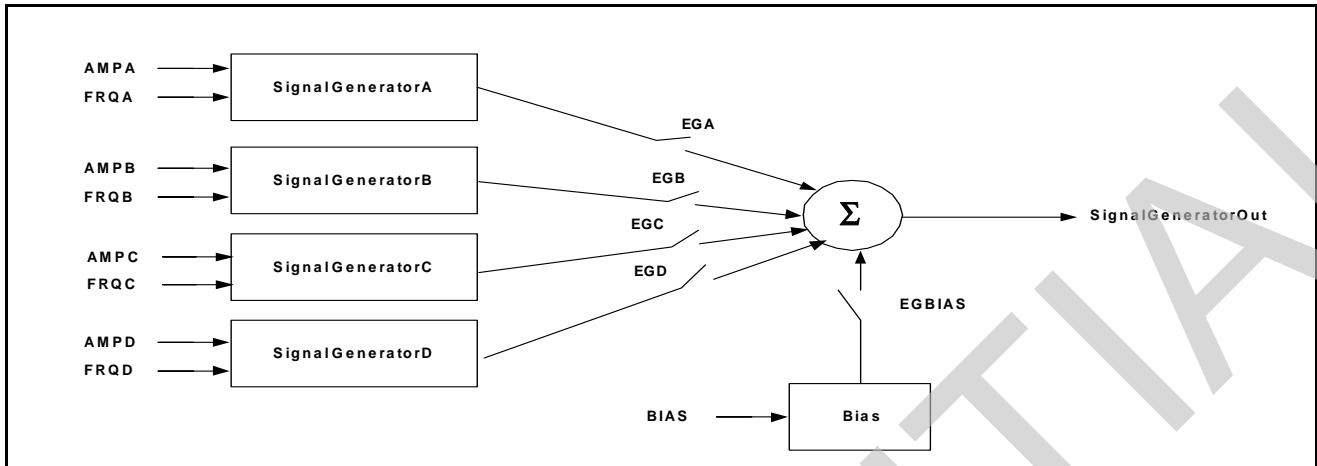


Figure 13 - Multi-Tone Generation

Signal Generator A is also used by the *VeriVoice* test suites to produce slow ramps. This allows a complex sequence of diagnostic test voltages to be generated in a controlled manner without generating unwanted transients on the line.

Each generator has independent frequency and amplitude parameters. The frequency accuracy is basically the same as the crystal accuracy of the system.

The EGA/B/C/D bits are controlled by the *VP-API-II* Cadencing engine.

3.5.2 Frequency and Amplitude Modulation

The signal generators can also be used to generate frequency- and/or amplitude-modulated tones in conformance with worldwide Howler (receiver off-hook) and call progress tone requirements. Frequency modulation is performed in a dedicated hardware block, while amplitude modulation is performed in software by *VP-API-II*.

To generate frequency-modulated tones, Signal Generator A is configured as a modulator, while Signal Generator D is configured as a carrier. The output of Signal Generator A is the frequency input to Signal Generator D as shown in [Figure 14](#). Note that Signal Generator A needs a positive DC bias so that its output is always positive. Caller ID generation is not available while frequency modulation is taking place. Note that Signal Generators B and C are available to be summed to the frequency-modulated signal, if necessary.

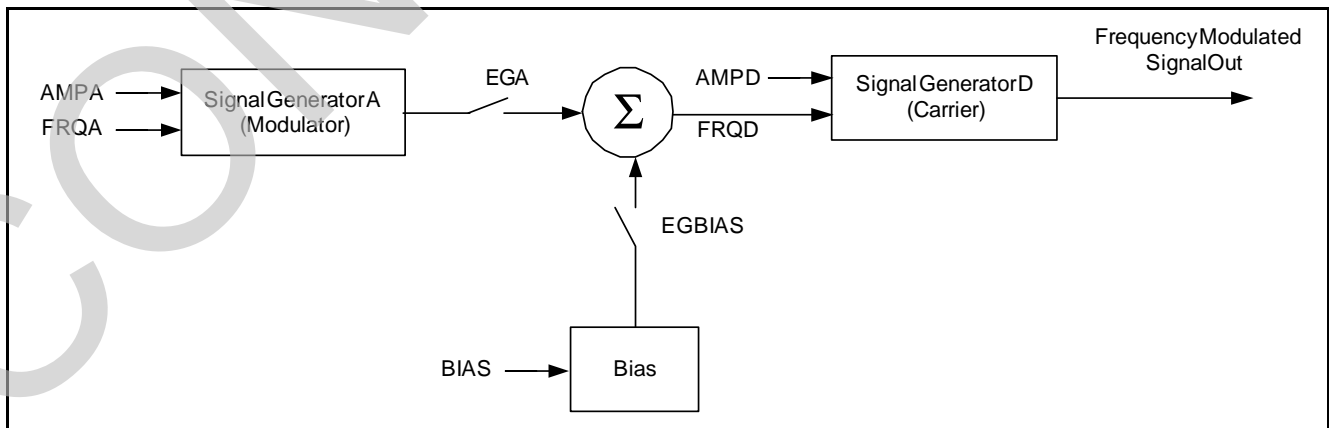


Figure 14 - Frequency Tone Modulation

Frequency and amplitude modulation allow the ZL88601/602 device to meet exacting Howler tone requirements such as those specified in *BTNR 1080 Version 15* and *Draft 960-G, NTT Edition 5* and *Austel AUS002:2001*.

[Table 5](#) lists the *VP-API-II* functions that are used for Howler tone generation.

Function Name	Description
VpSetLineStyle()	VP_LINE_HOWLER -- Places the device in a high gain state for Howler tone generation.
VpSetLineTone()	Provides simultaneous generation of up to four tones. Note that with Tone Cadencing, tones can be enabled/disabled individually or modulated in order to generate Howler tones.

Table 5 - VP-API-II Functions for Howler Tone Generation

3.5.3 Triangular and Trapezoidal Signal Generation

The signal generators can also be used to generate trapezoidal waveforms for ringing. [Figure 15](#) shows a configuration that is typically used to generate trapezoidal waveforms. Triangular waveforms can also be generated.

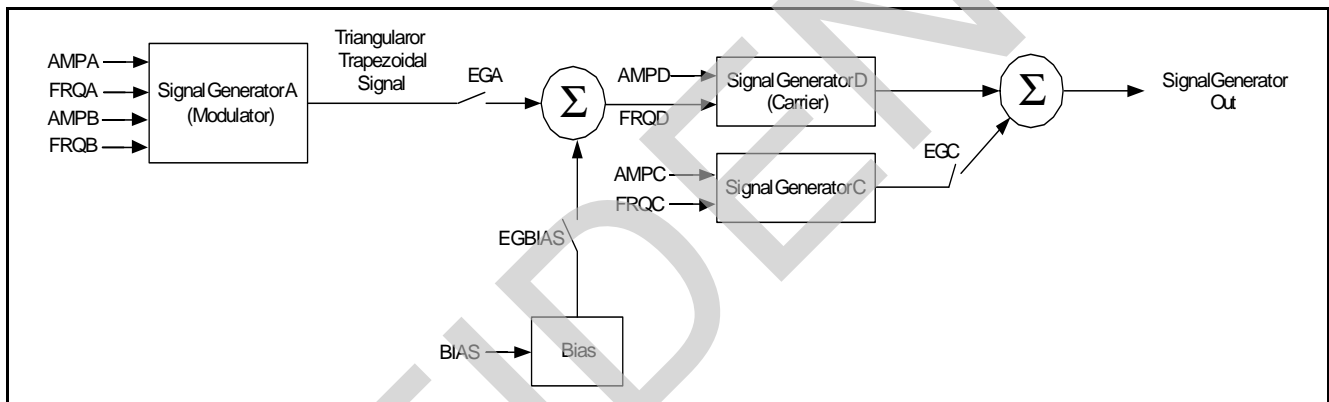


Figure 15 - Trapezoidal Signal Generation

3.6 Low Power DC Feed

The ZL88601/602 device supports *Low Power Idle Mode (LPIM)*, which reduces the system power consumption during idle (On-Hook) state. *LPIM* provides a weak DC feed capable of at least 5 mA to the line and reacts to a change in the line voltage to create an off-hook indication when a telephone goes off-hook.

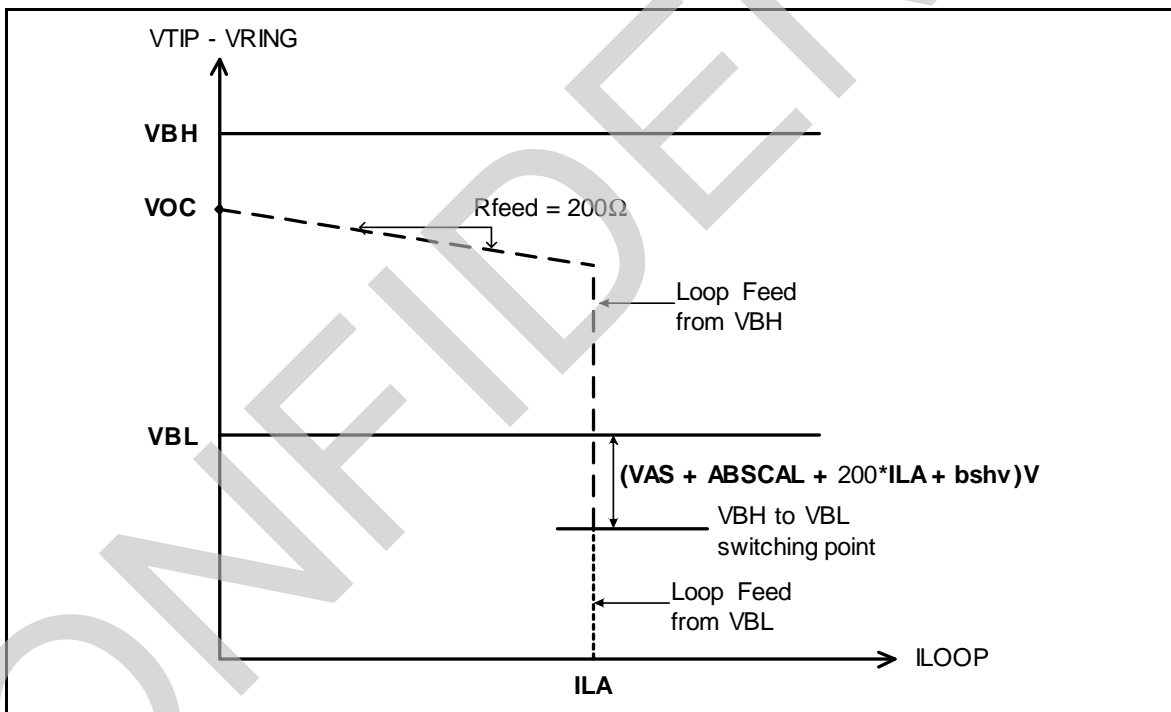
3.7 Normal DC Feed

DC feed is active in normal idle, talk and ringing states and the programmed characteristics appear between Tip and Ring. VAS is chosen to ensure that sufficient headroom is available for the amplifiers when on-hook to support On-Hook Transmission with the programmed open circuit (VOC) voltage. The parameters that control DC feed are summarized in [Table 6 on page 23](#). Their values are determined by the *VP-API-II* using the `VpCallLine()` function to ensure circuit performance. In addition, the *VP-API-II* handles some internal programming depending on the selected VOC voltage.

Parameter	Range	Description
ILA	20 – 30 mA	Sets the current limit for DC feed
VOC	12 – 57 V	Sets open circuit DC feed voltage. Two ranges, 12 - 33 V and 36 - 57 V are supported
VAS	1.5 – 7.25 V	Allows for some programmability for the automatic battery switching point
ABSCAL	-5.25 – +5.25 V	Allows calibration of the battery switching point per channel
bshv	1.0 – 7.0 V	Battery switch hysteresis voltage

Table 6 - DC Feed and Battery Switch Programmable Parameters

The DC Profile produces a DC feed curve at Tip and Ring when the fuse resistors are inside the feedback loop formed by the RTDC, RRDC feedback network. Note that the value of the combined Tip and Ring feed resistors R_{feed} is programmable to 0, 50, 100, or 200 Ω to correspond to the choice of PTCs or fuse resistors that are used. Please refer to [Figure 16](#) below for the active state I/V feed curve for $R_{feed} = 200 \Omega$.


Figure 16 - Normal DC Feed I / V Characteristic

[Figure 46, "Profile Wizard - DC Profile Configuration Example" on page 71](#) shows typical DC feed parameters.

3.8 Test Feed

The Tip Open test state presents the DC feed characteristic shown in [Figure 16](#) between the Ring lead and ground.

3.9 Ringing

The ZL88601/602 device supports balanced and unbalanced ringing.

3.9.1 Balanced Ringing

Internal balanced ringing drives the subscriber line with balanced ringing voltage waveforms (see [Figure 17](#)). In the balanced ringing mode, the ringing signal is driven differentially, thus maximizing the ringing signal swing. In this mode, the SLIC appears to the subscriber line as a voltage source with an output impedance of 200 Ω . The maximum ringing signal possible in the balanced mode for the ZL88602 is $100\text{-}V_{PK}$ ($80\text{-}V_{PK}$ for the ZL88601), corresponding to the maximum AC + DC voltages.

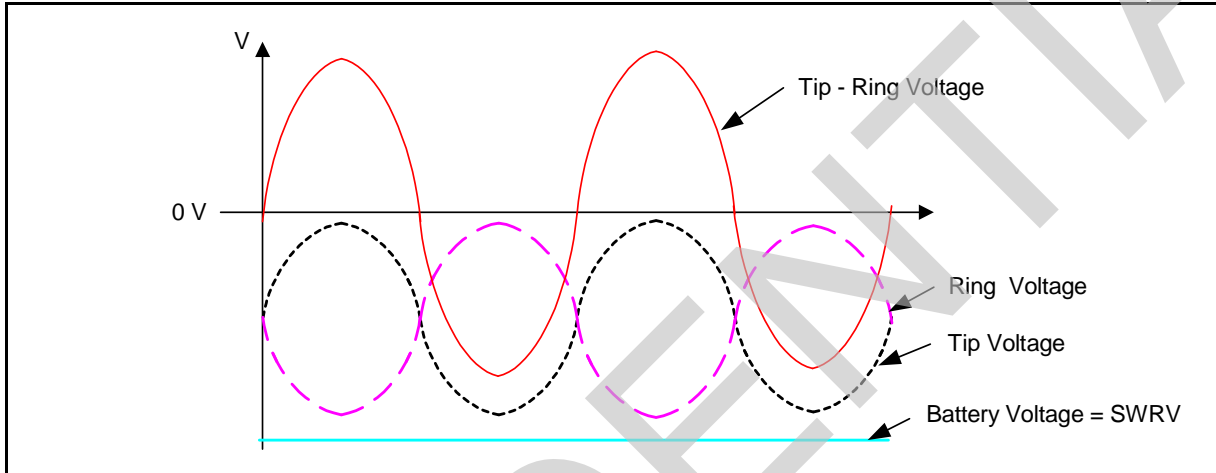


Figure 17 - Balanced Ringing with Fixed Supply

3.9.2 Unbalanced Ringing

Unbalanced ringing holds the Tip output to a voltage close to ground while applying the ringing in a single ended fashion to the ring lead (see [Figure 18](#)). When in the unbalanced ringing mode, the ZL88601/602 chipset appears to the subscriber line as a voltage source with an output impedance of 200 Ω . Unbalanced ringing is recommended only with the ZL88602 due to its higher voltage rating. The maximum unbalanced ringing signal possible with that device is $80\text{-}V_{PK}$ with a $20\text{-}V_{DC}$ offset.

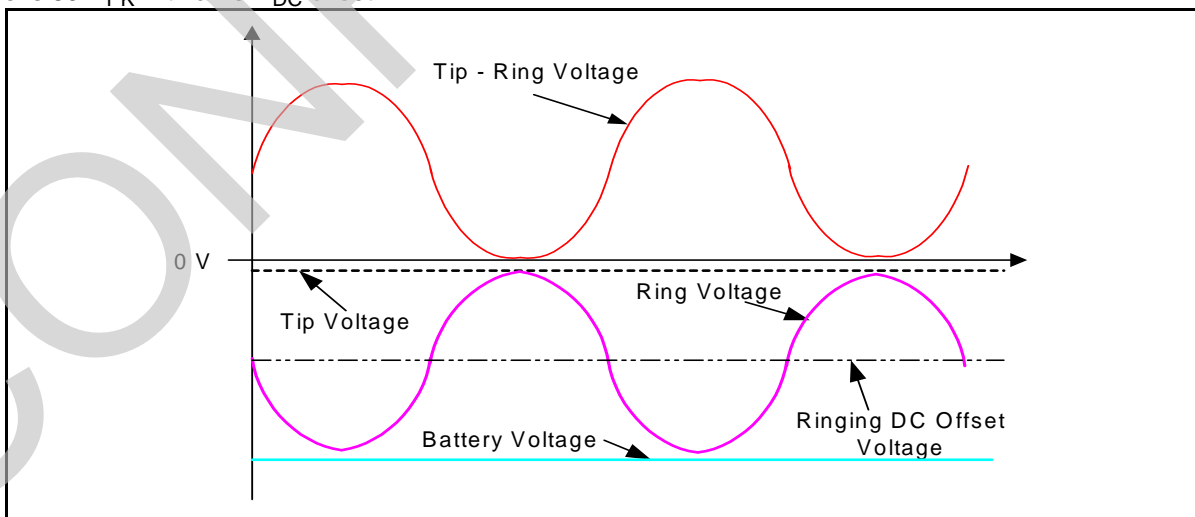


Figure 18 - Unbalanced Ringing with Fixed Supply

3.9.3 Switch Hook Detection

The FXS supervision circuits of the ZL88601/602 device provide debounced off-hook indications to an external processor via the host port interface. The supervision circuit compares a scaled version of the Tip-Ring current to a programmed off-hook threshold, TSH. The output of the comparator is debounced by a programmable debounce timer, DSH. A debounced *Off-Hook* indication generates an interrupt to the host processor.

3.9.4 Ring Trip Detection

Ring trip is the process of sensing a subscriber's off-hook event during ringing. This is accomplished by sensing the rise in loop current which occurs when a phone goes Off-Hook. The ZL88601/602 device can detect ring trip when the ringing signal is purely AC and/or when the ringing signal has a DC bias on it. To do so, the ring trip algorithm is automatically altered internally by the ZL88601/602 device based on the user-programmed parameters.

The ring trip detector uses the Tip-Ring current as an input. This current is rectified so that AC + DC ring trip can be detected. The output of the rectified signal is compared to a programmable ring trip threshold and the output is digitally debounced. The output is blanked upon ring entry to avoid false ring trips.

The ring trip detection circuit provides debounced ring trip indications to an external processor via the host port interface. The ring trip circuit compares a scaled version of the Tip-Ring current to a programmed Ring Trip Threshold (RTTH). The output of the comparator is processed by the ring trip algorithm on a cycle by cycle basis to provide immunity to false ring trips. In addition, spending more than 50% of the time in ringing current limit will generate a trip indication. A positive ring trip occurs if a trip indication is present for one (optional) or two (default) complete ring cycles, and an interrupt can be raised to the host processor. For AC-only ringing, the signal is half-wave rectified.

The Ring Trip Threshold (RTTH), integration method (positive half-wave for AC only or full-wave for AC+DC), the number of cycles (1 or 2), and Ringing Current Limit (ILR) are programmed in the *Ringing Profile*. Microsemi provides a number of example *Ringing Profiles* for most common ringing requirements incorporating the ringing signal parameters and corresponding ring trip settings.

The following equations can be used to select new ring trip settings when using different ringing waveforms and different loads. They allow the ratio of the open circuit ringing voltage to the ringing threshold current to vary by +/-20%, which is conservative.

Name	Description
AMPA	Amplitude of signal generator A which is used for ringing
FREQA	Frequency of signal generator A which is used for ringing
BIAS	DC bias for ringing
RTDCAC	Ringing trip based on AC only or Battery Backed (DC) Ringing
RTTH	Ringing trip threshold in 0.5 mA steps from 0 to 63.5 mA
ILR	Ringing current limit programmed in 2 mA steps. ILR=0 represents 50 mA. ILR = 31 represents 112 mA
HOOKE	Interrupt in signalling register indicating a ring trip occurred

Table 7 - Ring Trip Parameters

For AC only ringing, RTDCAC is 1 and the ringing current is half-wave rectified and averaged over a ringing cycle. If this result exceeds the RTTH threshold for two successive cycles, the HOOKE bit will be set. This method limits the supported loop length x depending on the minimum must not trip ringing impedance (R_{mnt} in Ohms) and allowing for errors in the applied ringing voltage and trip level. The maximum loop resistance is given by:

$$R_{LOOP(max)} = 0.67 \times R_{mnt} - R_{phone} - 66\Omega$$

RLOOP (max) excludes the DC resistance of the phone (R_{phone} , typically $430\ \Omega$ in the U.S.), and the fuse resistance if DC line sensing is behind the fuse resistors.

For a sinusoidal ringing waveform of VRING (RMS) volts, and R_{mnt} impedance, the following ring trip settings should be used:

$$RTTH = \frac{0.54 \times VRING}{R_{\text{mnt}} + 200\ \Omega}$$

$$ILR = \frac{1.4 \times VRING}{R_{\text{mnt}} + 200\ \Omega}$$

In general for short loop applications, it is recommended to use AC ring trip even in the presence of a DC bias that could allow a DC based ring trip, and the above equations still apply. Note that the ringing source impedance is nominally $200\ \Omega$.

3.10 Subscriber Line Testing

The ZL88601/602 device provides the ability for the user to perform the *Telcordia GR-909-CORE / TIA-1063* diagnostic testing for the voice ports. In Test mode, a variety of input signals can be read from the voice ADC converter. These signals include the switching regulator voltage and the line DC and AC voltages.

3.10.1 VeriVoice Professional Test Suite Software for the ZL880

VeriVoice Professional Test Suite Software is an advanced test suite featuring the following tests:

- Line Voltage: Checks for hazardous and foreign AC and DC voltages.
- Receiver Off-Hook: Checks for longitudinal fault, off-hook resistive fault and receiver off-hook.
- Regular REN: Tests the impedance of the line and returns a fail if the Ringer Equivalence Number (REN) is too low or high.
- Electronic REN: Provides REN Tip to Ring, Tip to ground and Ring to ground based on capacitance
- Resistive Fault: Measures three-element resistance.
- GR-909-CORE / TIA-1063: Performs all of the *GR-909-CORE* outward tests in the correct sequence.
- Capacitance: Measures three element capacitance
- Master Socket: Detects master socket terminations
- Cross Connect: Detects cross connected FXS
- Loopback: Enables receive-to-transmit signal loopback using two different methods
- Read Loop Conditions: Measures voltages between Tip and Ring, Tip to ground, Ring to ground, and VBH or VBL to ground. Also measures metallic and longitudinal line currents in supported states.
- Read Battery Conditions: Reads the battery voltages connected to the line circuit.
- DC Voltage Self-Test: Verifies that the line circuit has the ability to drive the voltage ranges required for the normal operation of the line circuit.
- DC Feed Self-Test: Measures the voltage and current across a known internal test termination using the *DC Profile* that has been programmed.
- Ringing Self-Test: Verifies ring signal generation, drive capability, and ring trip.
- On/Off Hook Self Test: Creates on-hook and off-hook conditions on the line using the internal test termination and verifies that they are properly reported.

3.11 Manufacturing Testing

The ZL88601/602 is supported by the *VeriVoice Manufacturing Test Package (VVMt)*, a platform-independent 'C' source code module which facilitates factory testing and calibration of assembled boards with this and other Microsemi voice products.

3.12 Metering

The ZL88601/602 device is capable of $0.5 V_{RMS}$ metering into a 200Ω metering load at either 12 kHz or 16 kHz. Smooth metering application and abrupt metering application are supported. A typical metering sequence is shown below in [Figure 19](#).

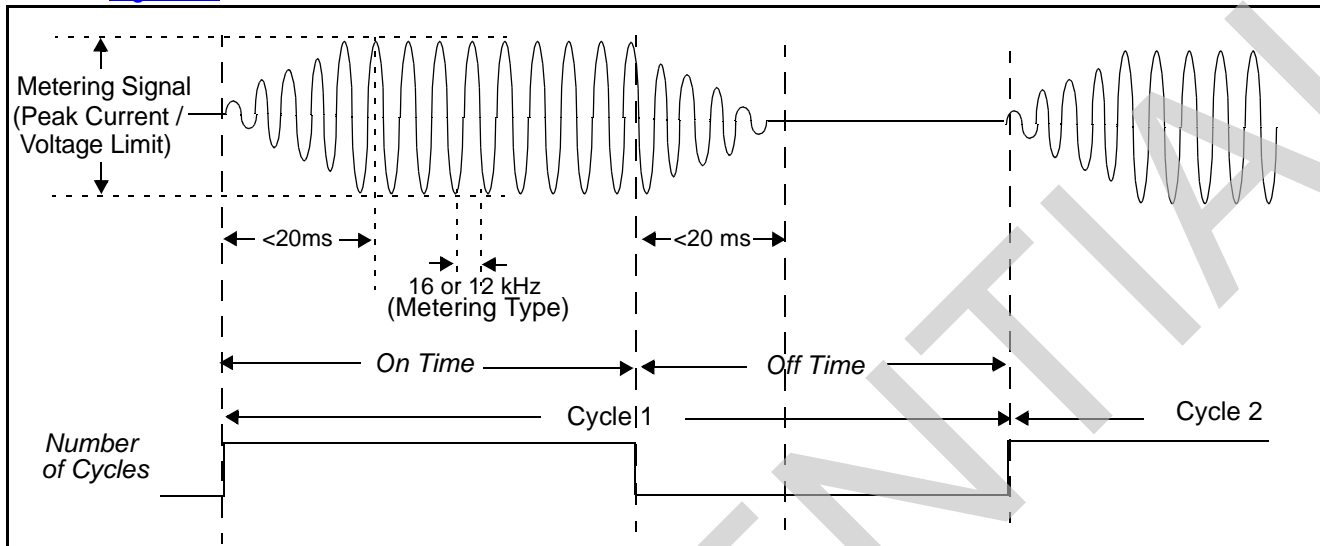


Figure 19 - Metering Pulse Definitions

The metering on time, off-time, and number of cycles are programmed in the *VP-API-II* function `VpStartMeter()`. This off-loads much of the timing from the host processor. Note that a ramp up / ramp down period of up to 20 ms is possible. The metering type (12 or 16 kHz), peak current and voltage limit are set in the *Metering Profile* and are used by the *VP-API-II* function `VpInitMeter()`. Note that in a normal configuration, some of the metering current flows into the CTD and CRD capacitors, so that the current sourced into an external load will be less than that programmed peak current parameter even when the metering voltage limit is not reached. The metering voltage that reaches the load is also dependent on the total fuse resistance and the minimum load resistance, which is typically 200Ω .

3.13 Switching Regulator Controller

The switching regulator controller and the external power train circuitry provide a flexible switching regulator that produces the negative supply voltages required by the high voltage line drivers to drive each line.

The recommended ABS flyback application circuit is shown in [Figure 41 on page 59](#).

Switcher Y has been configured to generate two fixed supplies, VBH and VBL, where the VBL supply is regulated. By regulating VBL at around -27 V and using a transformer with an output winding split into three equal sections, VBH will be centered around -81 V. Refer to [Figure 41 on page 59](#) for a more complete schematic of the external components needed to implement the regulator. The regulator shown is a typical flyback configuration with a multi-tap transformer configured for two outputs.

The LFC pins support a soft start for the switching regulator controllers by filtering the internally generated switcher output reference using an external capacitor. LFC_1 is associated with Switcher Y, and LFC_2 is associated with Switcher Z. The pole is set with a nominal $4 k\Omega$ internal resistance, allowing a $0.1 \mu F$ capacitor to provide a 10 ms ramp time. It is also possible to control the power-up of the switching regulators by appropriate use of the switcher power modes, eliminating the need for external capacitors. If the switcher controller is not being used, the corresponding LFC pin can be left open.

Even if the ZL88601/602 device is not using the switching regulator controllers to generate the battery supplies, it must sense each of the applied batteries through the SWVSY and SWVSZ pins for correct longitudinal control and battery switching.

Switching regulator parameters are set in the *Device Profile* and control the switching frequency. In addition, the controller detects over current events and terminates the output pulse on a cycle by cycle basis.

3.14 Charge Pump Regulator and MOSFET Gate Driver

The ZL88601/602 device features an internal charge pump regulator to generate a supply voltage suitable to drive a wide range of external MOSFETs. The charge pump regulator steps up the DVDD voltage to a value required by the MOSFET supply (VDDSW) to drive a logic level MOSFET (between 4.3 V to 5 V). The charge pump regulator has an output undervoltage protection circuit with a threshold about 0.2 V below the target voltage. The internal charge pump voltage is filtered by an external capacitor at the VDDSW node. For any other use or connection to VDDSW, contact Microsemi Customer Applications.

The charge pump converter configuration is selected in the *Device Profile*.

CONFIDENTIAL

4.0 Electrical Specifications

4.1 Absolute Maximum Ratings

Stresses above those listed under *Absolute Maximum Ratings* can cause permanent device failure. Functionality at or above these limits is not implied. Exposure to absolute maximum ratings for extended periods may affect device reliability.

Ambient temperature, under Bias	$-40^{\circ}\text{C} < T_A < +85^{\circ}\text{C}$
Ambient relative humidity (non condensing)	5 to 95%
VBH, VBL ₁ , VBL ₂ with respect to GND for the ZL88601 device for the ZL88602 device	$-105 V_{DC}$ to $+0.5 V_{DC}$ $-125 V_{DC}$ to $+0.5 V_{DC}$
VBH with respect to GND (both lines active VBL, $VBL_i < -50 $ V) for the ZL88601 device for the ZL88602 device	$-125 V_{DC}$ to $+0.5 V_{DC}$ $-160 V_{DC}$ to $+0.5 V_{DC}$
AVDD, DVDD, VDDHPI voltages with respect to GND	$-0.4 V_{DC}$ to $+4.0 V_{DC}$
AVDD voltage with respect to DVDD	$-0.4 V_{DC}$ to $+0.4 V_{DC}$
I/O ₁ , I/O ₂ current sink to GND ⁽¹⁾	70 mA
TIPD _i or RINGD _i voltage with respect to GND (continuous)	VBH – 1 V _{DC} to + 1.0 V _{DC}
TIPD _i or RINGD _i voltage with respect to GND (10 ms, F = 0.1Hz)	VBH – 5 V _{DC} to + 5.0 V _{DC}
TIPD _i or RINGD _i voltage with respect to GND (1 μs, F = 0.1Hz)	VBH – 10 V _{DC} to + 10 V _{DC}
TIPD _i or RINGD _i voltage with respect to GND (250 ns, F = 0.1Hz)	VBH – 15 V _{DC} to + 15 V _{DC}
TIPD _i or RINGD _i current (continuous)	± 150 mA
TIPD _i or RINGD _i current (1 μs)	± 400 mA
Latch up immunity (any pin)	± 100 mA
Maximum device power dissipation, continuous ⁽²⁾ - T _A = 85°C P _D	2.1 W
Junction to ambient thermal resistance ⁽²⁾ θ _{JA}	26°C/W
Junction to board thermal resistance ⁽²⁾ θ _{JB}	7°C/W
Junction to case bottom (exposed pad) thermal resistance θ _{JC (BOTTOM)}	3.6°C/W
Junction-to-top characterization parameter ⁽²⁾ ψ _{JT}	0.8°C/W
Reflow temperature, 10 sec., MSL3, per JEDEC J-STD-020	260°C
ESD immunity (Human Body Model)	JESD22 Class 1C compliant

Notes:

1. When configured as outputs (for LED or relay drive control)
2. See [“Thermal Performance”](#)

4.2 Thermal Performance

The thermal performance of a thermally enhanced package is assured through optimized printed circuit board layout. Specified performance requires that the exposed thermal pad be soldered to an equally sized exposed copper surface, which, in turn, conducts heat through multiple vias to a large internal copper plane. Thermal performance depends on the number of PCB layers and the size of the copper area. Please refer to Microsemi's application note *QFN Package (Document ID#: 080791)* for general design and layout guidelines.

The thermal specifications in "[Absolute Maximum Ratings](#)" assume that the device is mounted on a highly effective thermal conductivity test board (4 layers, 2s2p) per *JEDEC JESD51-7* and *JESD51-5*, and featuring the recommended 10x10 array of thermal vias shown in [Figure 54 on page 79](#).

4.3 Operating Ranges

Microsemi guarantees the performance of this device over industrial (-40°C to +85°C) temperature range by conducting electrical characterization over each range and by conducting a production test with single insertion coupled to periodic sampling. These characterization and test procedures comply with the *Telcordia GR-357-CORE Generic Requirements for Assuring the Reliability of Components Used in Telecommunications Equipment*.

4.3.1 Recommended Operating Conditions

Ambient temperature	$-40^{\circ}\text{C} < T_A < +85^{\circ}\text{C}$
Ambient relative humidity	15% to 85%
GND	0 V _{DC}
AVDD with respect to GND	+3.3 V _{DC} ± 5%
DVDD with respect to AVDD	±50 mV _{DC}
VDDHPI with respect to GND	+1.71 V _{DC} to DVDD
VDDSW with respect to GND	+4.3 V _{DC} to +5.0 V _{DC}
VBH (both lines active VBL, $VBL_i < -50 \text{ V}$) for the ZL88601 device for the ZL88602 device	-120 V _{DC} to - (VOC ⁽¹⁾ + 7.0) V _{DC} -150 V _{DC} to - (VOC + 7.0) V _{DC}
VBH (all other states) for the ZL88601 device for the ZL88602 device	-100 V _{DC} to - (VOC ⁽¹⁾ + 7.0) V _{DC} -120 V _{DC} to - (VOC + 7.0) V _{DC}
VBL _i (in active states)	VBH to - 20 V _{DC}
VBH with respect to VBL _i	$0 \text{ V}_{\text{DC}} \leq (VBL_i - VBH) < 90 \text{ V}_{\text{DC}}$
Digital pins, except I/O _{1i} , I/O _{2i}	GND to VDDHPI
I/O _{1i} , I/O _{2i}	GND to DVDD
Analog pins	GND - 0.3 V _{DC} to AVDD + 0.3 V _{DC}

Note:

1. VOC is the calibrated open circuit line voltage

5.0 Electrical Characteristics

5.1 Test Conditions

Unless otherwise noted, test conditions are:

- Typical values are for $T_A = 25^\circ\text{C}$ and nominal supply voltages. Minimum and maximum values are over the temperature and supply voltage ranges shown in [“Recommended Operating Conditions” on page 30](#), except where noted
- Default (unity) gain in X, R, DRL, AX and AR blocks
- Default coefficients in DISN, Z and B filters
- $V_{BH} = -81\text{ V}$, $V_{BL} = -27\text{ V}$ for the ZL88601 device
- $V_{BH} = -105\text{ V}$, $V_{BL} = -35\text{ V}$ for the ZL88602 device (used only for the ringing cases C3 and C4)
- DC feed programmed and calibrated to $I_{LA} = 25\text{ mA}$, $V_{OC} = 48.0\text{ V}$, $b_{sov} = 2.92\text{ V}$, and $b_{shv} = 5\text{ V}$
- AC and DC load resistance $R_L = 600\ \Omega$
- Fuse resistors for device tests are $R_F = 14\ \Omega$
- $0\text{ dBm}_0 = 0\text{ dBm}$ ($600\ \Omega$) = $0.775\text{ V}_{\text{RMS}}$. Digital gains GX0 and GR0 to achieve 0 dBr relative levels are GX0 = +6.797 dB (7A20h) A-law or linear and GX0 = +6.737 dB (2A20h) μ -law to set A/D transmit gain to 0dB GR0 = -1.793 dB (6AA0h) A-law or linear and GR0 = -1.720 dB (3AA0h) μ -law to set D/A receive gain to 0dB
- Ringing tests have four conditions:
 - C1 programmed ringing $70.7\text{ V}_{\text{PK}}$ (50 V_{RMS}), 0 V_{DC} offset and 3 REN ($2333\ \Omega + 24\text{-}\mu\text{F}$) load.
 - C2 programmed ringing $70.7\text{ V}_{\text{PK}}$ (50 V_{RMS}), 0 V_{DC} offset and 5 REN ($1386\ \Omega + 40\text{-}\mu\text{F}$) load.
 - C3 programmed ringing 92 V_{PK} (65 V_{RMS}), 0 V_{DC} offset and 3 REN ($2333\ \Omega + 24\text{-}\mu\text{F}$) load.
 - C4 programmed ringing 92 V_{PK} (65 V_{RMS}), 0 V_{DC} offset and 5 REN ($1386\ \Omega + 40\text{-}\mu\text{F}$) load.

ILR = 54 mA and RTTH = 21 mA AC for cases C1 and C2. ILR = 76 mA and RTTH = 30 mA AC for cases C3 and C4.

5.2 Supply Currents and Power Dissipation

- External Switcher circuit as shown in [Figure 41 on page 59](#) with input voltage $V_{\text{SW}} = 12\text{ V}_{\text{DC}}$
- Supply currents and power consumption are per channel of the device based on both channels in the same state
- Device or package power does not include power delivered to the load

Operational State	Condition	I_{DD} mA (Note 2)	I_{VSW} mA (Note 3)	I_{VBH} mA	I_{VBL} mA	Device Power mW	Note
		Typ	Typ	Typ	Typ		
Shutdown	Disconnect, Switchers Off	1.8	0	0	0	6	
Disconnect		7.2	1.3	0.1	0	31	
Low Power Idle Mode		11.7	2.7	0.25	0	60	
Idle	On-Hook	14.5	15	0.8	0	128	
Active (normal or reverse polarity)	On-Hook Transmission	23	24	2	0	240	
	Off-Hook, 600 Ω	23	83	0.9	24	482	
Ringing	C1	24	165	18.5	0	625	1., 4.
	C2	24	240	30	0	989	
	C3	24	270	26	0	940	1., 4., 5.
	C4	24	412	39.5	0	1473	

Table 8 - Power Dissipation

Notes:

1. Not Tested in Production. Parameter is guaranteed by characterization or correlation to other tests.
2. I_{DD} supply current is the sum of I_{AVDD} and I_{DVDD} for the device in normal mode divided by 2.
3. I_{VSW} is not tested in production.
4. Ringing signal must be cadenced to produce an average power that can be handled by the package.
5. ZL88602 was used for these measurements.

5.3 DC Characteristics

Symbol	Parameter Descriptions	Min	Typ	Max	Unit	Note
V_{IL}	Digital input low voltage			0.8	V	
V_{IH}	Digital input high voltage	2.0				
I_{IL}	Digital input leakage current	-7		+7	μ A	
I_{AIL}	Analog input leakage current	-1		+1		
V_{HYS}	Digital input hysteresis	0.16	0.25	0.34	V	1.
V_{OL}	Digital output low voltage			0.8	V	2.
	I/O1 ₁ , I/O1 ₂ ($I_{OL} = 50$ mA)			0.4		
	I/O2 ₁ , I/O2 ₂ ($I_{OL} = 4$ mA)			0.8		
	I/O2 ₁ , I/O2 ₂ ($I_{OL} = 8$ mA)			0.4		
	TSCA ($I_{OL} = 14$ mA) Other digital outputs ($I_{OL} = 2$ mA)			0.4		
V_{OH}	Digital output high voltage					
	I/O2 ₁ , I/O2 ₂ ($I_{OH} = 4$ mA)	$V_{DVDD} - 0.4$ V				
	I/O2 ₁ , I/O2 ₂ ($I_{OH} = 8$ mA) Other digital outputs ($I_{OH} = 400$ μ A)	$V_{DVDD} - 0.8$ V 2.4				
I_{OL}	Digital output leakage current (Hi-Z state) $0 < V < DVDD$	-7		+7	μ A	
V_{REF}	VREF output open circuit voltage ($I_{VREF} = \pm 100$ μ A)	1.43	1.5	1.57	V	
C_{IREF}	IREF pin maximum load capacitance			20	pF	1.
C_I	Digital input capacitance			4		
C_O	Digital output capacitance			4		
PSRR ₁	AVDD, DVDD power supply rejection ratio (1.02 kHz, 100 mV _{RMS} , either path, GX = GR = 0 dB)	32	38		dB	
PSRR ₂	VBH, VBL power supply rejection ratio (1.02 kHz, 100 mV _{RMS} , either path, GX = GR = 0 dB)	40				1.

Notes:

1. This parameter is guaranteed by characterization or correlation to other tests. Not tested in production.
2. I/O1₁, and I/O2₁ outputs are resistive for less than a 0.8 V drop. Total DC current must not exceed absolute maximum ratings.

5.4 DC Feed and Signaling - All States Except Low Power Idle Mode

Description	Test Conditions	Min	Typ	Max	Unit	Note
ILA programmable range, Active state		18		45	mA	1.
I_L , Loop-current accuracy, Active state	I_L in constant-current region after ILA calibration	-10		+10	%	
I_{RINGD} , RINGD leakage, Ring Open state	VBH = -81 V $R_L = 0$ to GND or VBH			1000	μA	1.
I_{TIPD} , TIPD leakage, Tip Open state	VBH = -81 V $R_L = 0$ to GND or VBH			1000		
TIPD, RINGD leakage, Disconnect state	VBH = -81 V $R_L = 0$ to GND or to VBH + 2V			10		
I_{RINGD} , RINGD current accuracy, Tip Open state	RINGD to ground	-10		+10	%	1.
V_{TIPD} , ground-start signaling	TIPD to -48 V = 7 kΩ, RINGD to ground = 100 Ω	-7.5	-5		V	
TDC, RDC input offset current		1.35	1.5	1.65	μA	1., 2.
Ground key accuracy	After calibration	-1 mA - 15%		+1 mA +15%		
Switch hook accuracy	After calibration	-20		+20	%	
Open circuit voltage, $V_{TIPD} - V_{RINGD}$	VOC = 48 V, after VOC calibration	-7		+7		
V_{RINGD} , open circuit	VOC = 48 V, after VOC calibration	-56.5		-49.0	V	

Notes:

1. This parameter is guaranteed by characterization or correlation to other tests. Not tested in production.
2. Analog input pad leakage can add to this value - see specification under ["DC Characteristics" on page 32](#).

5.5 DC Feed and Signaling - Low Power Idle Mode State

Description	Test Conditions	Min	Typ	Max	Unit	Note
$V_{TIPD} - V_{RINGD}$ voltage	VBH > 52 V, $I_{LOAD} = 3$ mA	44			V	1.
	$R_{LOAD} = 3.5$ kΩ	23	28	33		
	VBH = -59 V, $R_{LOAD} =$ open	44	50	56		
I_{TIPD} current limit	TIPD sourcing current	9	34	70	mA	1.
I_{RINGD} current limit	RINGD sinking current, $R_{LOAD} = 600$ Ω	7.0	8.2	9.3		
Off-hook current settling time	$R_{LOAD} = 200$ Ω		150	800	μs	1.
DC feed resistance	$I_{LOAD} <$ current limit		200		Ω	
	$I_{LOAD} >$ current limit		230K			

Note:

1. This parameter is guaranteed by characterization or correlation to other tests. Typical values not tested in production.

5.6 Metering

Description	Test Conditions	Min	Typ	Max	Unit	Note
Level accuracy	0.5 V_{RMS} , 12 or 16 kHz, 200 or 3000 Ω AC load	-5		+10	%	1.
Frequency accuracy	12 or 16 kHz	-0.1		+0.1	%	

Note:

1. This parameter is guaranteed by characterization or correlation to other tests. Typical values not tested in production.

5.7 Ringing

Description	Test Conditions	Min	Typ	Max	Unit	Note
Ringing Voltage Accuracy	52.5 V _{PK} into a 5 REN load	-7		+7	%	1.
Ringing DC offset, V _{TIPD} - V _{RINGD}	R _L = open circuit, programmed rInging = 0 V _{PK}	-2	0	+2	V	3.
Harmonic distortion	52.5 V _{PK} into a 5 REN load		3	5	%	
Ringing current limit accuracy	R _L = 600 Ω	-10		10		
Ringing source impedance			200		Ω	2.
DC ring trip accuracy	EGBIAS = 1	-15		+15	%	2., 4.
AC ring trip accuracy	EGBIAS = 0	-15		+15		
Ring trip delay	Periods of ringing	1		3	cycles	

Notes:

1. This production test is performed without calibration. After calibration, typical accuracy is within +/- 4 %
2. This parameter is guaranteed by characterization or correlation to other tests. Not tested in production.
3. After calibration.
4. If the ringing current in the loop is near the current limit more than 50% of the time, a ring trip will occur regardless of the average current.

5.8 Switching Regulator Controller

The following specifications apply to switching regulator controllers Y and Z.

Description	Test Conditions	Min	Typ	Max	Unit	Note
SWISx shutdown threshold	Referenced to GND	85	100	115	mV	1.
SWISx hysteresis			25			
SWISx input bias current		-10		10	μA	
SWISx shutdown delay	V _{SWISx} > 115 mV	12		88	ns	1., 2.
SWCMPx output current		-200		200	μA	1.
SWCMPx operating range		0.4		2.6	V	
SWVSx to SWCMPx gain		0.4		40	V/nA	
SWVSx to SWCMPx bandwidth		100			kHz	
SWVSx input offset current	R _{VSx} = 1.0 MΩ	1.3	1.5	1.7	μA	
LFC output impedance			12		kΩ	
SWxV output voltage accuracy (VBL regulation)	Calibrated -30 V voltage	-33		-27	V	3.

Notes:

1. This parameter is guaranteed by characterization or correlation to other tests. Not tested in production.
2. Time from SWISx exceeding threshold to SWOUTx voltage passing through DVDD/2.
3. Accuracy following battery calibration depends on the battery voltage sense accuracy (+/- 4 %) plus the calibration resolution of +/- 0.625 V

5.9 Charge Pump Controller and MOSFET Driver

The following specifications apply to the charge pump controller when generating VDDSW and for driving the switching circuit MOSFETs.

Description	Test Conditions	Min	Typ	Max	Unit	Note
VDDSW output voltage range	$I_{VDDSW} = 5 \text{ mA}$	4.3	4.7	5.0	V	1.
VDDSW step voltage	$I_{VDDSW} = 5 \text{ mA}$		0.1			
VDDSW output voltage accuracy	$V_{VDDSW} = 4.7 \text{ V}$, $I_{VDDSW} = 5 \text{ mA}$	-3		+3	%	
VDDSW undervoltage lockout threshold	Below the target output voltage	110	200	290	mV	
SWOUTx peak source current	$V_{SWOUTx} = 2.5 \text{ V}$, $C_{LOAD} = 1.5 \text{ nF}$	100			mA	1.
SWOUTx peak sink current	$V_{SWOUTx} = 2.5 \text{ V}$, $C_{LOAD} = 1.5 \text{ nF}$	200				
Maximum total gate switching charge (for switcher Y drive)	$V_{VDDSW} = 4.7 \text{ V}$, $f = 512 \text{ kHz}$, only one switcher used	12			nC	1.

Notes:

1. This parameter is guaranteed by characterization or correlation to other tests. Not tested in production.

5.10 Voice ADC Signal Sense Accuracy

Description	Code	Full Scale	Useful Range	Min	Typ	Max	Unit	Note
Metallic AC coupled voltage (Tip/Ring voice)	00h	-3.44 to +3.44	-3.44 to +3.44	-4%		+4%	V	1., 2.
Voice DAC analog loopback	0Ah	-2.0 to +2.0	-1.0 to +1.0	-12%		+12%		

Notes:

1. All specifications assume calibration.
2. The % limits are defined as the % of programmed threshold value or the % of the actual voltage or current on Tip / Ring. The offset and percentage errors are independent and combine as RMS errors.

5.11 Supervision ADC Signal Sense Accuracy

Description	Code	Full Scale	Useful Range	Min	Typ	Max	Unit	Note
Sense at SWVSY	01h	-240 to +240	-180 to 0	-0.5 V - 4 %		+0.5 V +4 %	V	1., 2., 3., 6.
Sense at SWVSZ	02h			-0.5 V - 4 %		+0.5 V +4 %		
Sense at VS1, VS2	03h		-180 to +60	-0.5 V - 4 %		+0.5 V +4 %		
Tip voltage to ground	04h		-225 to +225	-0.5 V - 4 %		+0.5 V +4 %		
Ring voltage to ground	05h			-0.5 V - 4 %		+0.5 V +4 %		
Metallic DC line voltage (Tip to Ring)	06h		-160 to +160	-0.5 V - 5 %		+0.5 V +5 %		
Longitudinal DC line voltage (Tip to ground + Ring to ground)	0Ah			-1.0 V - 5 %		+1.0 V +5 %		
MOSFET drive supply, VDDSW	10h	+2 to +10	+2.5 to +5.5	-0.08 V - 0.5 %		+0.08 V +0.5 %		
Metallic loop current, IM (Tip to Ring) in Normal Mode	07h	-59.5 to +59.5 ⁽⁴⁾	-51 to +51 ⁽⁴⁾	-1.0 mA - 5 %		+1.0 mA +5%	mA	1., 2., 6.
Longitudinal loop current, IL (total) in Normal Mode	08h	-59.5 to +59.5	-42 to +42	-1.0 mA - 5 %		+1.0 mA +5%		
Ring current, IB (IM+IL)	0Eh			-2.0 mA - 5 %		+2.0 mA +5%		
Tip current, IA (IM-IL)	0Fh			-2.0 mA - 5 %		+2.0 mA +5%		
Metallic loop current (IM) in Low Gain Mode	08h	-297.5 to +297.5	-100 to +100	-5.0 μA - 5 %		+5.0 μA +5%	μA	
Longitudinal loop current per wire (IL) in Low Gain Mode	07h		-250 to +250	-5.0 μA - 5 %		+5.0 μA +5%		
Tip voltage to Longitudinal current ratio	N/A	N/A	N/A	-6.5		+6.5	%	1., 5., 6., 7.
Ring voltage to Longitudinal current ratio				-6.5		+6.5		
Metallic voltage to Metallic current ratio				-6.5		+6.5		
Temperature sense	0Dh	-50 to +150	-50 to +150	-15		+15	°C	1., 6.

Notes:

1. All specifications assume calibration.
2. The % limits are defined as the % of programmed threshold value or the % of the actual voltage or current. The offset and percentage errors are independent and combine as RMS errors.
3. This is measured in production by calibrating offset voltage and applying -26 V for voltage to ground and 20 V Metallic. Accurately measuring smaller voltage requires care in offset calibration.
4. The Metallic loop current scale and range during ringing are -119 mA to +119 mA.
5. These are ratios of voltage to current measurements in Low Gain state performed during production testing.
6. Full scale is defined as a digital output code of ± 32768 .
7. Not tested in production.

5.12 Transmission Characteristics - Narrowband Codec Mode

Description	Test Conditions	Min	Typ	Max	Unit	Note	
TAC - RAC overload level	Active state, GX = AX = 0 dB	3.4			V _{PK}	1., 2.	
Transmit level, A/D	0 dBm, GX = GX0, 1014 Hz		0		dBm0		
Receive level, D/A	0 dBm0, GR = GR0, 1014 Hz		0		dBm		
Gain accuracy, D/A or A/D	0 dBm0, 1014 Hz, off-hook	-0.35		+0.35	dB		
Gain accuracy, D/A or A/D	0 dBm0, 1014 Hz, on-hook	-0.5		+0.5			
Idle channel noise V _{TIPD} - V _{RINGD} DXA, digital out	DRA, digital input = 0, A-law, 0 dBr DRA, digital input = 0, μ-law, 0 dBr V _{TIPD} - V _{RINGD} = 0 V _{AC} , A-law, 0 dBr V _{TIPD} - V _{RINGD} = 0 V _{AC} , μ-law, 0 dBr			-74 16 -65 19	dBm0p dBmC0 dBm0p dBmC0	5.	
Two-wire return loss	200 to 3400 Hz	26	30				
Longitudinal to metallic balance TIPD - RINGD or DXA	200 to 3400 Hz	50			dB	7.	
DRA to longitudinal signal generation	300 to 3400 Hz	42				7.	
Longitudinal current capability, per wire TIPD or RINGD	Active state	8.5			mA _{RMS}		
Longitudinal impedance at TIPD or RINGD	0 to 100 Hz, LI = 0		100		Ω/pin	1.	
Crosstalk between channels TX or RX to TX RX or TX to RX	0 dBm0, 1014Hz, Average 0 dBm0, 1014Hz, Average			-76 -78	dBm0		
Attenuation distortion	300 to 3000 Hz	-0.125		+0.125	dB	1., 3.	
Single frequency distortion	A-law or μ-law, off-hook			-46			4.
Second harmonic distortion, D/A	GR = 0 dB, linear mode, off-hook			-55			
End-to-end absolute group delay	B = Z = 0; X = R = 1, C/L = 0			678	μs	1., 6.	
PESQ-LQ voice quality score	Linear, A-law, or μ-law		4.30			1.	

Notes:

1. This parameter is guaranteed by characterization or correlation to other tests. Not tested in production.
2. Overload level is defined when THD = 1%.
3. See [Figure 20, "Transmit \(A to D\) Path Attenuation vs. Frequency" on page 38](#) and [Figure 21, "Receive \(D to A\) Path Attenuation vs. Frequency" on page 38](#).
4. 0 dBm0 input signal, 300 to 3400 Hz measurement at any other frequency, 300 Hz to 3400 Hz.
5. No single frequency component in the range above 3800 Hz may exceed a level of -55 dBm0.
6. The End-to-End Group Delay is the absolute group delay of the echo path with the B filter turned off.
7. This parameter is tested at 1 kHz in production. Performance at other frequencies is guaranteed by characterization.

5.13 Attenuation Distortion - Narrowband Codec Mode

The signal attenuation in either path is nominally independent of the frequency. The deviations from nominal attenuation will stay within the limits shown in [Figure 20](#) and [Figure 21](#). The reference frequency is 1014 Hz and the signal level is -10 dBm0.

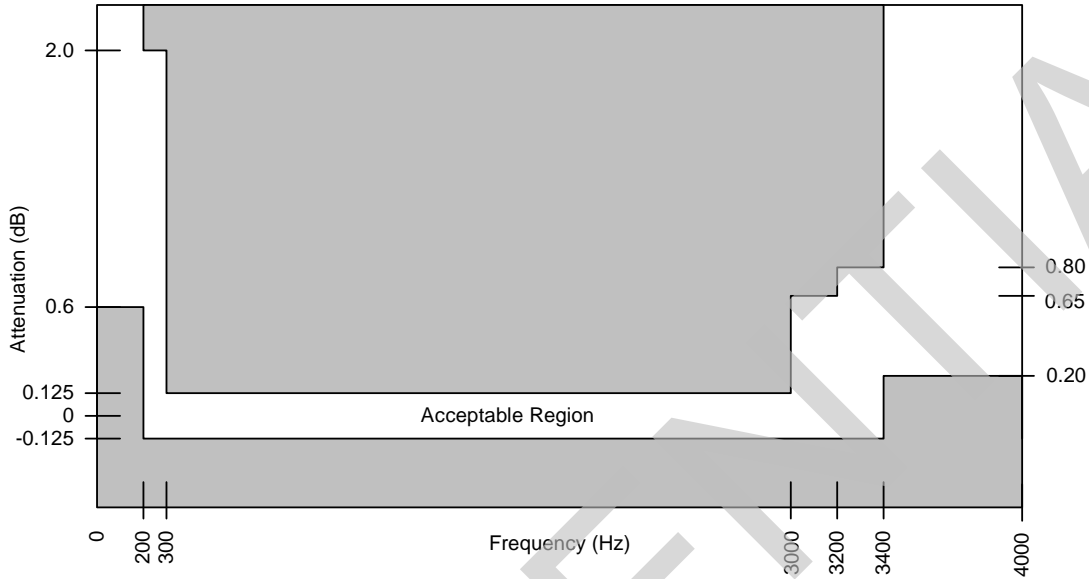


Figure 20 - Transmit (A to D) Path Attenuation vs. Frequency

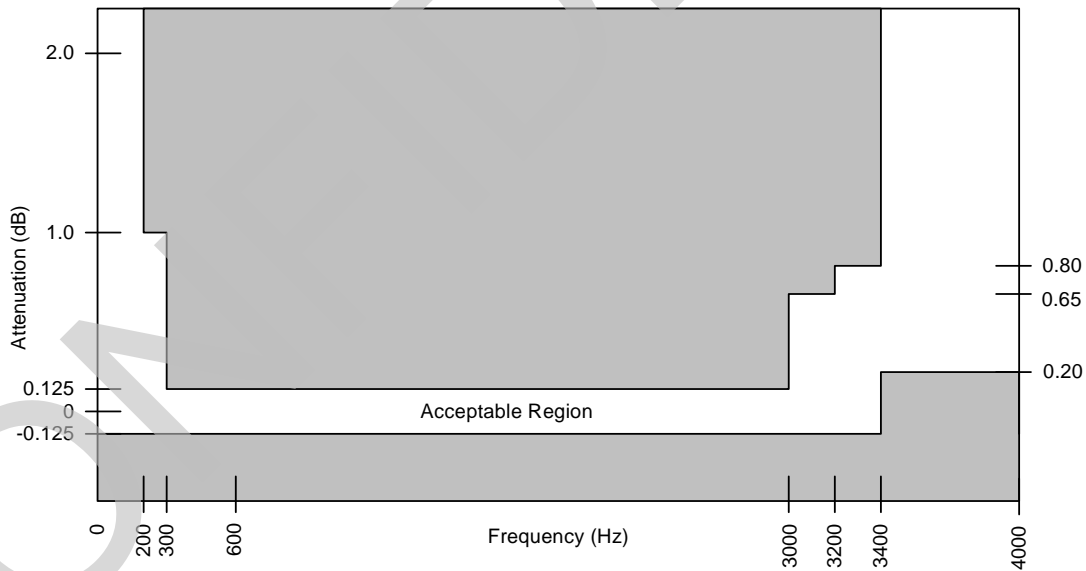


Figure 21 - Receive (D to A) Path Attenuation vs. Frequency

5.14 Discrimination Against Out-of-Band Input Signals - Narrowband Codec Mode

When an out-of-band sine wave signal of frequency f , and level A is applied to the analog input, there may be frequency components below 4 kHz at the digital output which are caused by the out-of-band signal. These components are at least the specified dB level below the level of a signal at the same output originating from a 1014-Hz sine wave signal with a level of A dBm0 also applied to the analog input. The minimum specifications are

shown in [Table 9](#). The attenuation of the waveform below amplitude A, between 3400 Hz and 4600 Hz, is given by the formula:

$$\text{Attenuation} = \left[14 - 14 \sin\left(\frac{\pi(4000 - f)}{1200}\right) \right] \text{ dB}$$

Frequency of Out-of-Band Signal	Amplitude of Out-of-Band Signal	Level below A
16.6 Hz < f < 45 Hz	-25 dBm0 < A ≤ 0 dBm0	18 dB
45 Hz < f < 65 Hz	-25 dBm0 < A ≤ 0 dBm0	25 dB
65 Hz < f < 100 Hz	-25 dBm0 < A ≤ 0 dBm0	10 dB
3400 Hz < f < 4600 Hz	-25 dBm0 < A ≤ 0 dBm0	see Figure 22
4600 Hz < f < 100 kHz	-25 dBm0 < A ≤ 0 dBm0	32 dB

Table 9 - Out of Band Discrimination, Narrowband Codec Mode

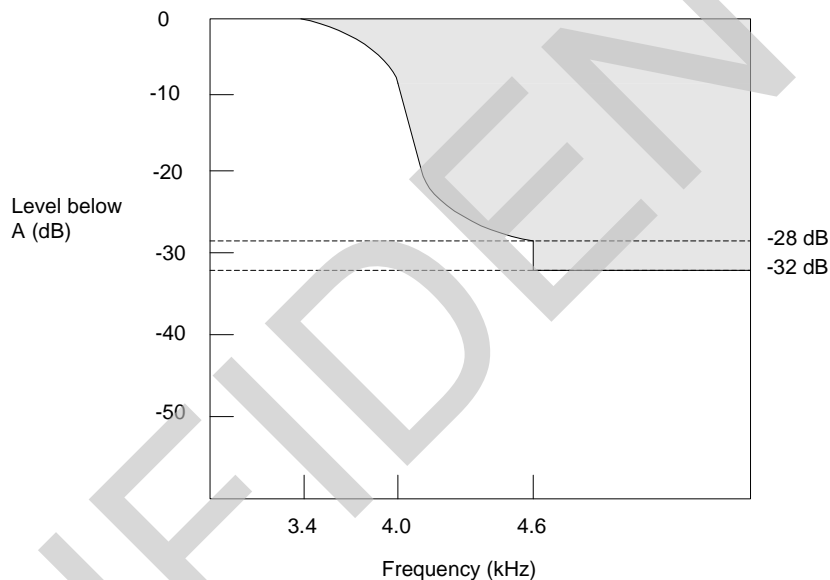


Figure 22 - Discrimination Against Out-of-Band Signals

5.15 Discrimination Against 12- and 16-kHz Metering Signals - Narrowband Codec Mode

If the ZL88601/602 device is used in a metering application where 12- or 16-kHz tone bursts are injected onto the telephone line toward the subscriber, a portion of these tones may also appear at the transmit input. These out-of-band signals may cause frequency components to appear below 4 kHz at the digital output. For a 12-kHz or 16-kHz tone, the frequency components below 4 kHz are reduced from the input by at least 70 dB. The sum of the peak metering and signal voltages must be within the TAC - RAC pin overload level.

5.16 Spurious Out-of-Band Signals at the Analog Output - Narrowband Codec Mode

With PCM idle code being applied to the digital input and either a quiet 600 Ω termination or an open being applied to Tip and Ring, any single frequency tone between 0 and 16kHz measured at the analog output shall be less than -50 dBm0. With PCM code words representing a sine wave signal in the range of 300 Hz to 3400 Hz at a level of

0 dBm0 applied to the digital input, the level of the spurious out-of-band signals at the analog output is less than the limits shown below.

Frequency	Level
4.6 kHz to 40 kHz	-32 dBm0
40 kHz to 240 kHz	-46 dBm0
240 kHz to 1 MHz	-36 dBm0

With code words representing any sine wave signal in the range 3.4 kHz to 4.0 kHz at a level of 0 dBm0 applied to the digital input, the level of the signals at the analog output are below the limits in [Figure 23](#). The amplitude of the spurious out-of-band signals between 3400 Hz and 4600 Hz is given by the formula:

$$\text{Level} = \left[-14 - 14 \sin\left(\frac{\pi(f - 4000)}{1200}\right) \right] \text{ dBm0}$$

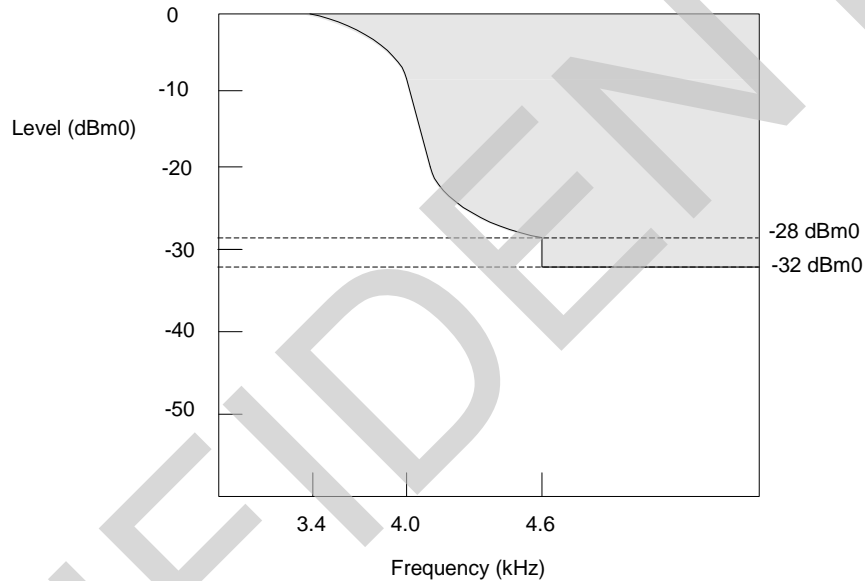


Figure 23 - Spurious Out-of-Band Signals

5.17 Overload Compression - Narrowband Codec Mode

[Figure 24 on page 41](#) shows the acceptable region of operation for input signal levels above the reference input power (0 dBm0). The conditions for this figure are:

1. $1.2 \text{ dB} < \text{GX} \leq +12 \text{ dB}$
2. $-12 \text{ dB} \leq \text{GR} < -1.2 \text{ dB}$
3. Digital voice output of one VoicePort channel connected to digital voice input of a second VoicePort channel.
4. Measurement analog-to-analog

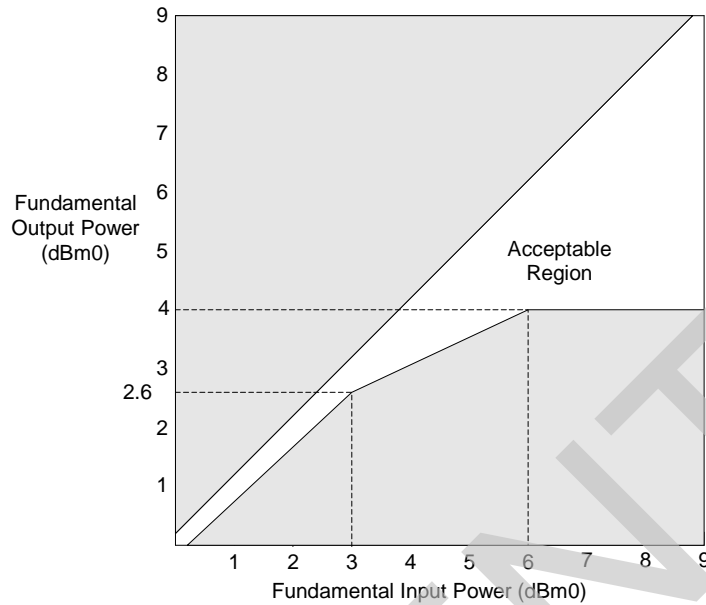


Figure 24 - Analog-to-Analog Overload Compression

5.18 Gain Linearity - Narrowband Codec Mode

The gain deviation relative to the gain at -10 dBm0 is within the limits shown in Figure 25 (A-law) and Figure 26 (μ -law) for either transmission path when the input is a sine wave signal of 1014 Hz.

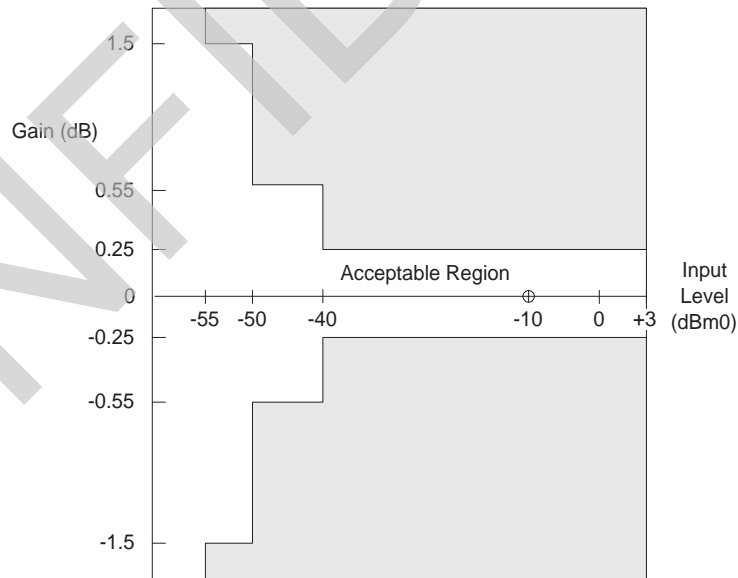


Figure 25 - A-law Gain Linearity with Tone Input (Both Paths)

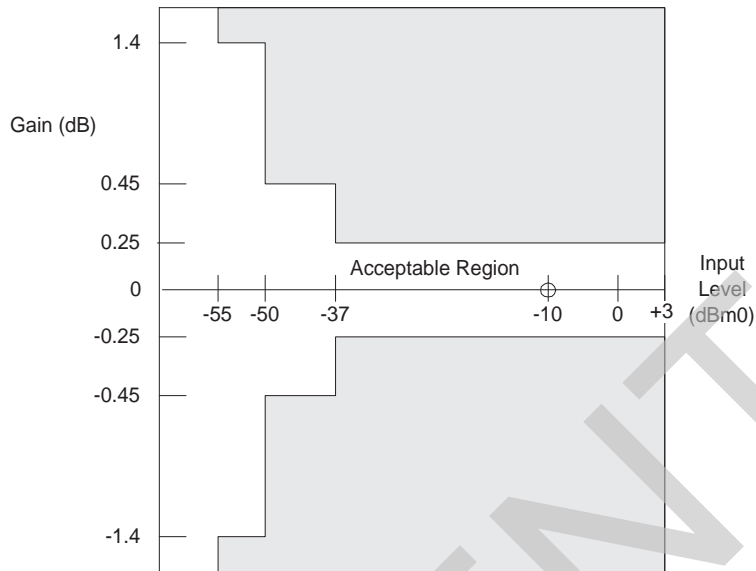


Figure 26 - μ -law Gain Linearity with Tone Input (Both Paths)

5.19 Total Distortion Including Quantizing Distortion - Narrowband Codec Mode

The signal to total distortion ratio will exceed the limits shown in Figure 27 for either path when the input signal is a sine wave with a frequency of 1014 Hz, using psophometric weighting for A-law and C-message weighting for μ -law

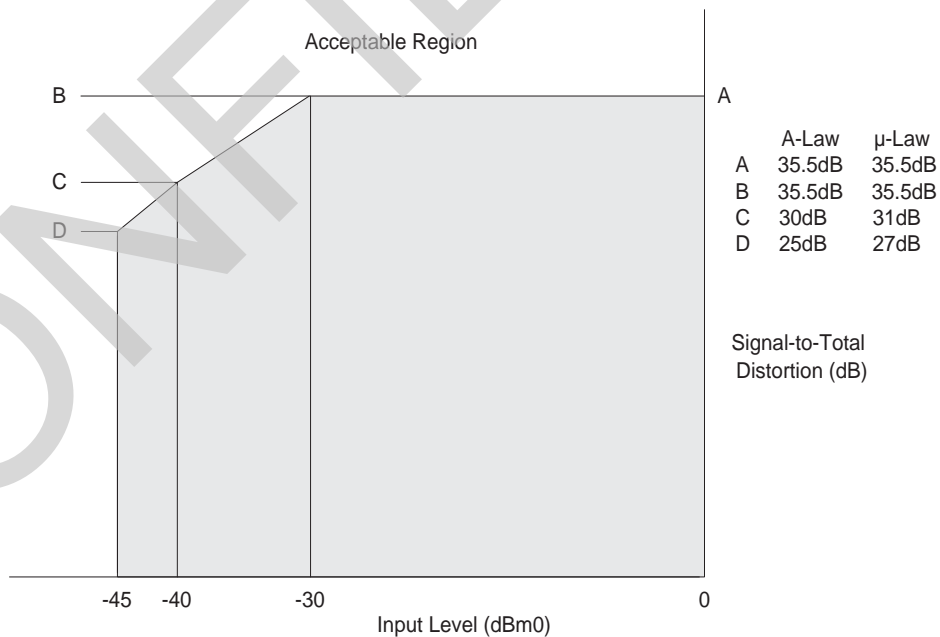


Figure 27 - Total Distortion with Tone Input (Both Paths)

5.20 Group Delay Distortion - Narrowband Codec Mode

For either transmission path, the group delay distortion is within the limits shown in [Figure 28](#). The minimum value of the group delay is taken as the reference. The signal level should be 0 dBm0

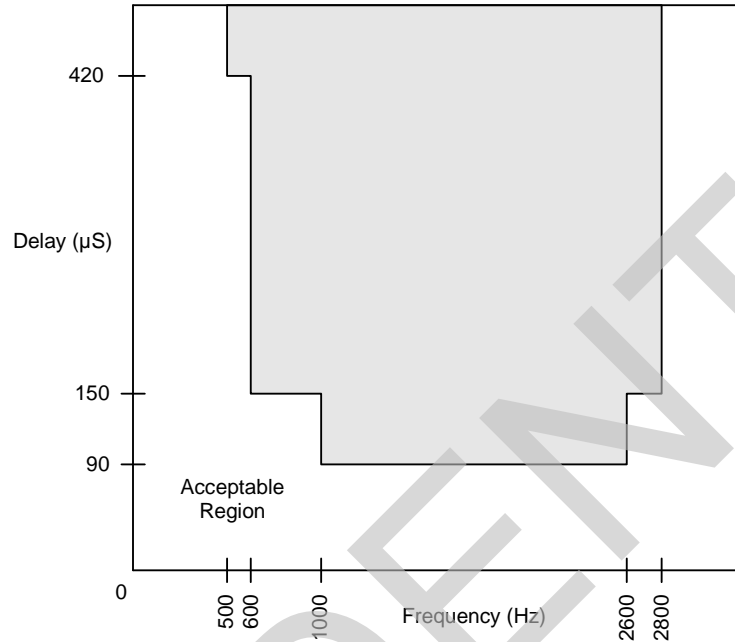


Figure 28 - Group Delay Distortion

5.21 Transmission Characteristics - Wideband Codec Mode

Description	Test Conditions	Min	Typ	Max	Unit	Note
TAC - RAC overload level	Active state GX = AX = 0 dB	3.4			V _{PK}	1., 2.
Transmit level, A/D	0 dBm, GX = GX0, 1014 Hz		0		dBm0	
Receive level, D/A	0 dBm0, GR = GR0, 1014 Hz		0		dBm	
Gain accuracy, D/A or A/D	0 dBm0, 1014 Hz, off-hook	-0.5		+0.5	dB	
Gain accuracy, D/A or A/D	0 dBm0, 1014 Hz, on-hook	-0.5		+0.5		1.
Attenuation distortion	100 Hz to 6.0 kHz	-0.25		+0.25		3.
Single frequency distortion	0 dBm0, Linear Mode, 50 Hz to 7.0 kHz, off-hook			-50		4.
Signal to noise + distortion	0 dBm0, Linear Mode, 50 Hz to 7.0 kHz	50				4.
Second harmonic distortion, D/A	GR = 0 dB, off-hook			-55		
Idle channel noise, V _{TIPD} - V _{RINGD} DXA, digital out	DRA, digital input = 0, linear, 0 dB V _{TIPD} - V _{RINGD} = 0 V _{AC} , linear, 0 dB			-67 -67	dBm0p dBm0p	1., 5.
End-to-end absolute group delay	B = Z = 0; X = R = 1, C/L = 0			340	μs	1., 6.
Two-wire return loss	50 to 7000 Hz	20	26		dB	1.
Longitudinal to metallic balance TIPD - RINGD or DXA	50 to 7000 Hz	48			dB	7.
DRA to longitudinal signal generation	300 to 7000 Hz	40				1.
Longitudinal current capability, per wire TIPD or RINGD	Active state	8.5			mA _{RMS}	1.
Longitudinal impedance at TIPD or RINGD	0 to 100 Hz, LI = 0		100		Ω/pin	1.
PESQ-LQ voice quality score	Linear			4.30		1.

Notes:

1. This parameter is guaranteed by characterization or correlation to other tests. Not tested in production.
2. Overload level is defined when THD = 1%.
3. See [Figure 29, "Transmit \(A to D\) Path Attenuation vs. Frequency- \(with High-Pass Filter Enabled\)" on page 45](#) and [Figure 30, "Receive \(D to A\) Path Attenuation vs. Frequency" on page 45](#).
4. 0 dBm0 input signal, 50 to 7000 Hz measurement at any other frequency, 50 to 7000 Hz.
5. No single frequency component in the range above 7600 Hz may exceed a level of -55 dBm0.
6. The End-to-End Group Delay is the absolute group delay of the echo path with the B filter turned off.
7. This parameter is tested at 1 kHz in production. Performance at other frequencies is guaranteed by characterization.

5.22 Attenuation Distortion - Wideband Codec Mode

The signal attenuation in either path is nominally independent of the frequency. The deviations from nominal attenuation will stay within the limits shown in [Figure 29](#) and [Figure 30](#). The reference frequency is 1014 Hz and the signal level is -10 dBm0.

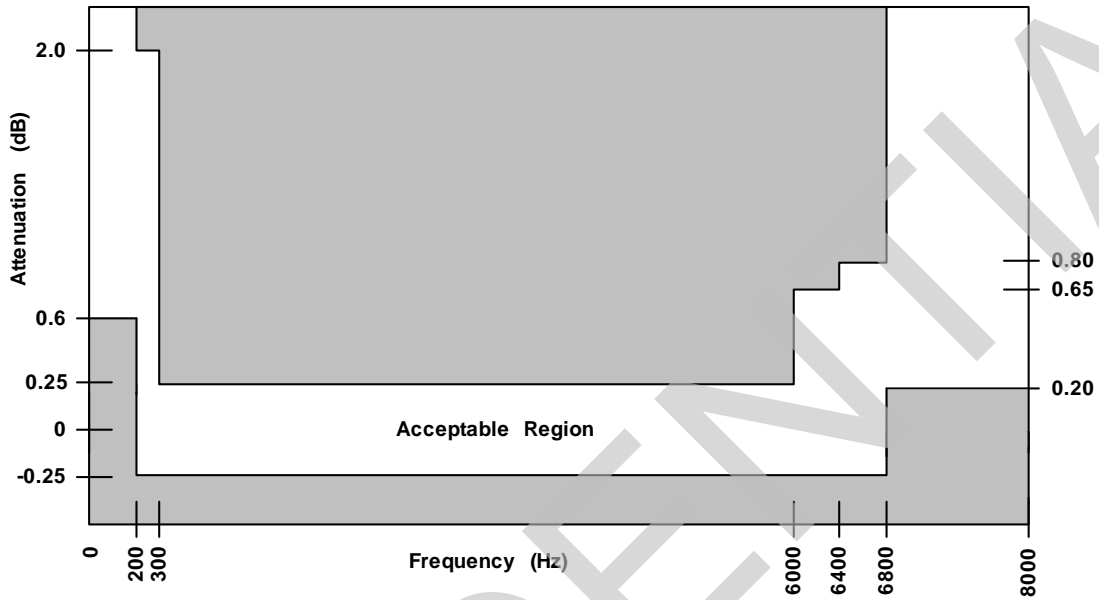


Figure 29 - Transmit (A to D) Path Attenuation vs. Frequency- (with High-Pass Filter Enabled)

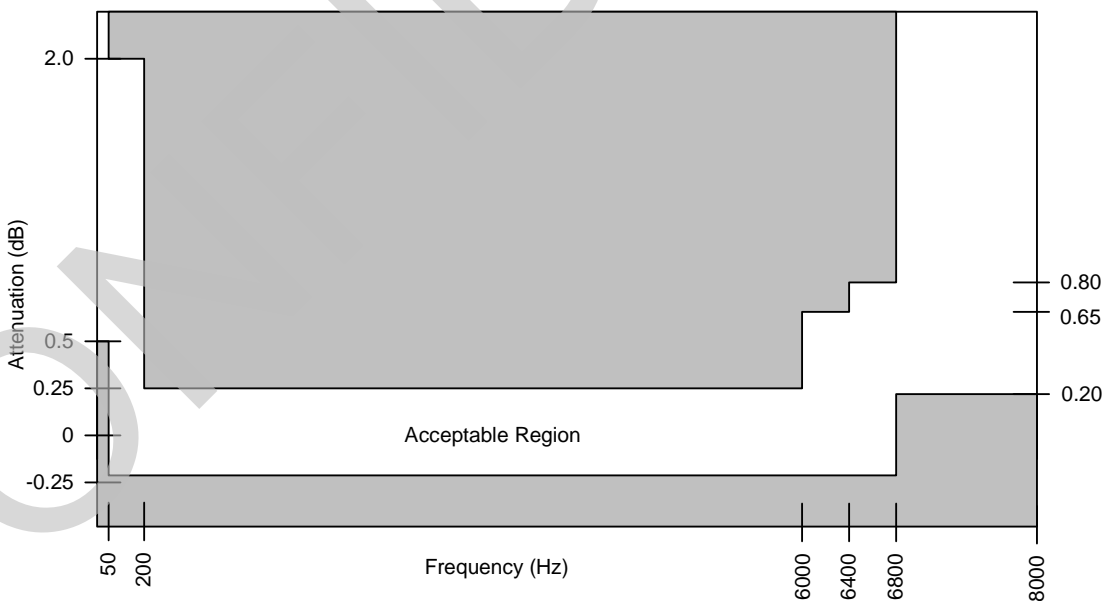


Figure 30 - Receive (D to A) Path Attenuation vs. Frequency

5.23 Group Delay Distortion - Wideband Codec Mode

For either transmission path, the group delay distortion is within the limits shown in [Figure 31](#). The minimum value of the group delay is taken as the reference. The signal level should be 0 dBm0.

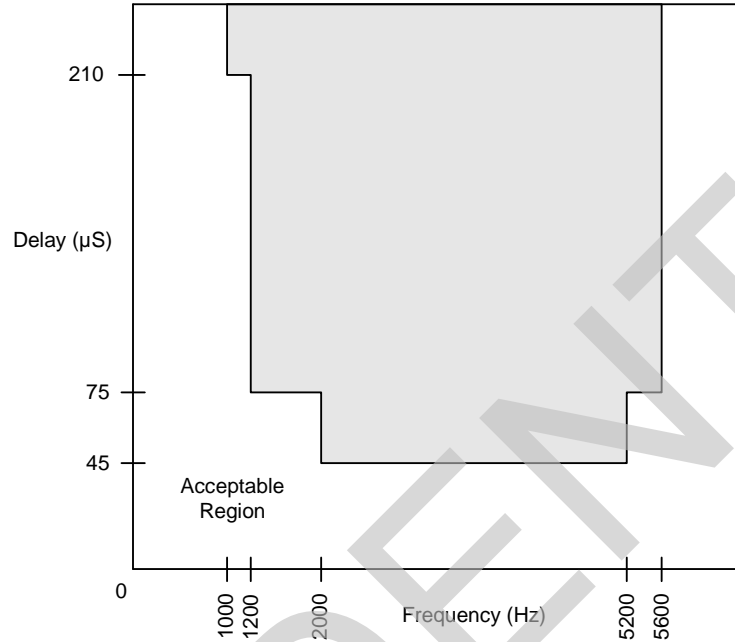


Figure 31 - Group Delay Distortion

6.0 Switching Characteristics and Waveforms

The following are the switching characteristics over operating range, unless otherwise noted. Minimum and maximum values are valid for all digital outputs with a 115 pF load.

6.1 PCM and SPI Mode

The PCM and SPI mode is used to communicate audio and control information to the host processor. It is enabled when the \overline{ZSI} pin is tied to DVDD. Unless otherwise specified, the SPI timing values are valid for $VDDHPI = 1.8 V_{DC}$, $2.5 V_{DC}$, or $3.3 V_{DC}$.

6.1.1 SPI Interface

No.	Symbol	Parameter	Min.	Typ.	Max.	Unit	Note
1	t_{DCY}	Data clock period	122			ns	
2	t_{DCH}	Data clock high pulse width	48				
3	t_{DCL}	Data clock low pulse width	48				
4	t_{DCR}	Rise time of clock			8		
5	t_{DCF}	Fall time of clock			8		
6	t_{ICSS}	Chip select setup time, Input mode	5				
7	t_{ICSH}	Chip select hold time, Input mode	0				
8	t_{ICSL}	Chip select pulse width, Input mode		$8t_{DCY}$			
9	t_{ICSO}	Chip select off time, Input mode	0				1.
10	t_{IDS}	Input data setup time	5				
11	t_{IDH}	Input data hold time	0				
12	t_{OLH}	I/O1, I/O2 output latch valid			2500		
13	t_{OCSS}	Chip select setup time, Output mode	5				
14	t_{OCSH}	Chip select hold time, Output mode	0				
15	t_{OCSL}	Chip select pulse width, Output mode		$8t_{DCY}$			
16	t_{OCSSO}	Chip select off time, Output mode	0				1.
17	t_{ODD}	Output data turn on delay			16		2., 3.
18	t_{ODH}	Output data hold time	2				4.
19	t_{ODOF}	Output data turn off delay	0		10		
20	t_{ODC}	Output data valid			16		2.
-	t_{RST}	Reset pulse width	5			μ s	

Notes:

1. VE880 Series devices required a minimum 2.5 μ s chip select off-time when reading or writing over the SPI (MPI) interface. The delay is not required by devices belonging to the new ZL880 Series.
2. Values shown for $VDDHPI = 3.3$ V. Maximum t_{ODD} and t_{ODC} is 25 ns at 1.8 V and 18 ns at 2.5 V.
3. The first data bit is enabled on the falling edge of \overline{CS} or the falling edge of DCLK, whichever occurs last.
4. This parameter is guaranteed by characterization or correlation to other tests. It is not tested in production.

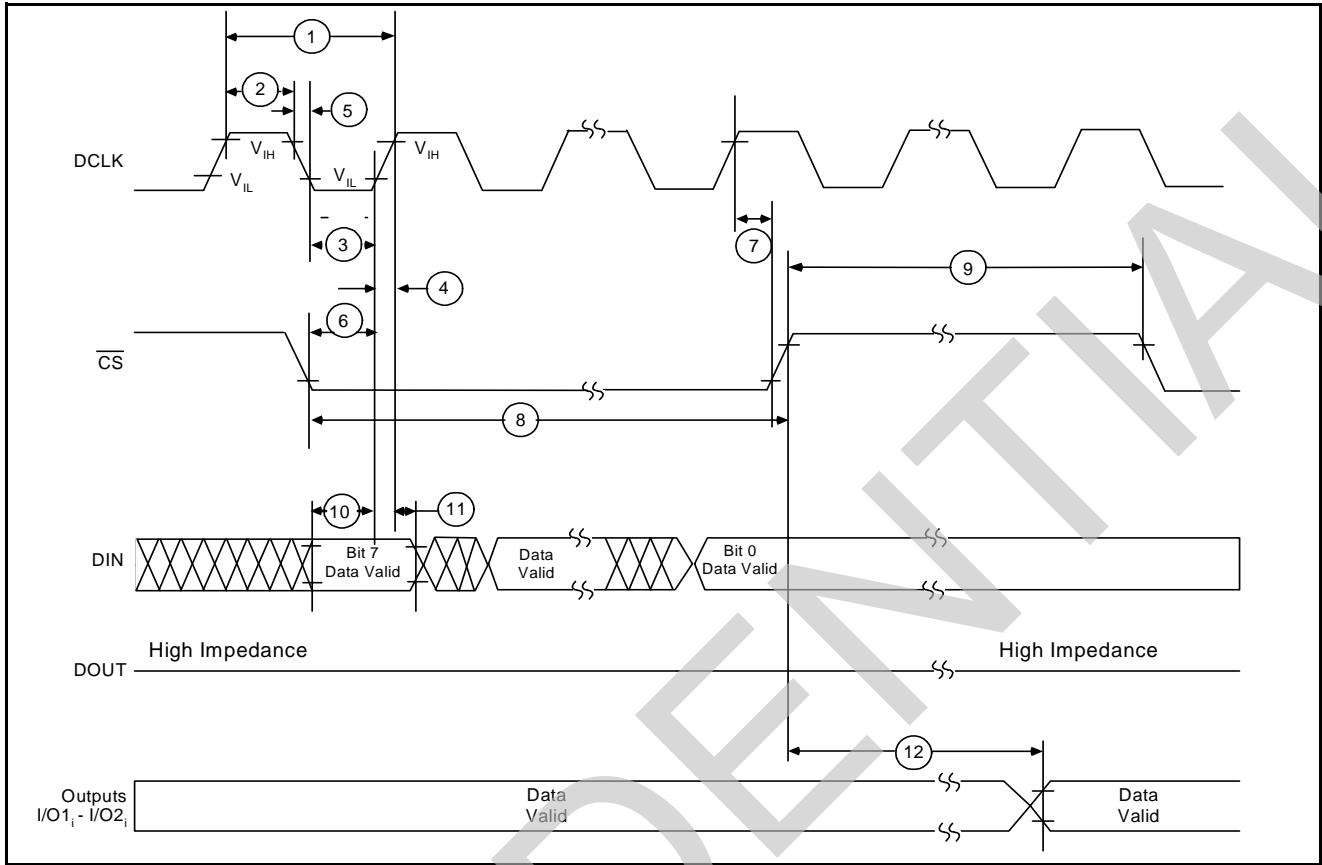


Figure 32 - SPI Interface (Input Mode)

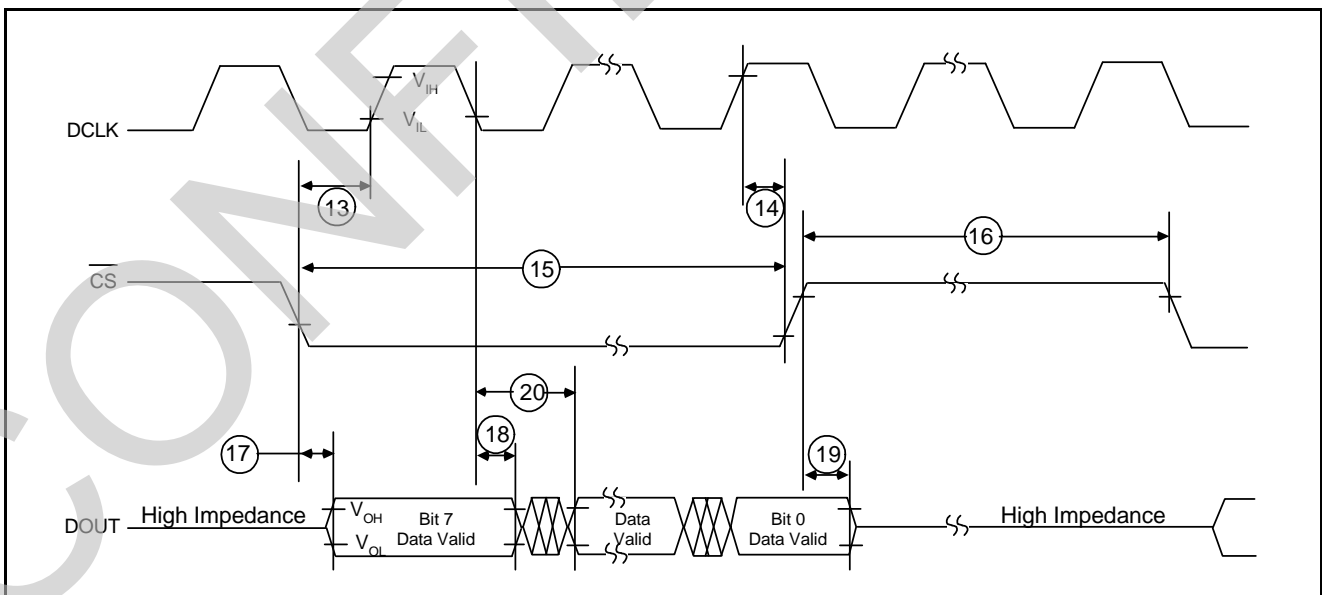


Figure 33 - SPI Interface (Output Mode)

6.1.2 PCM Interface

PCLK shall not exceed 8.192 MHz. Pull-up resistor to DVDD of 240 Ω is attached to \overline{TSCA} . Unless otherwise specified, the PCM timing values are valid for VDDHPI = 1.8 V_{DC}, 2.5 V_{DC}, or 3.3 V_{DC}. See [Figure 34](#) through [Figure 36 on page 51](#) for the PCM interface timing diagrams.

No.	Symbol	Parameter	Min.	Typ	Max	Unit	Note	
21	t _{PCY}	PCM Clock (PCLK) period	122		977	ns	1.	
22	t _{PCH}	PCLK high pulse width	48					
23	t _{PCL}	PCLK low pulse width	48					
24	t _{PCR}	PCLK rise time			8			
25	t _{PCF}	PCLK fall time			8			
26	t _{FSS}	FS setup time	5		t _{PCY} -30			
27	t _{FSH}	FS hold time	0				2.	
-	t _{FST}	Allowed PCLK or FS jitter time	-25		25			1.
28	t _{TSD}	Delay to \overline{TSCA} valid	2		16			3., 4.
29	t _{TSO}	Delay to \overline{TSCA} off	0					4., 5.
30	t _{DXD}	PCM data output delay			16			3.
31	t _{DXH}	PCM data output hold time	2					
32	t _{DXZ}	PCM data output delay to high Z	0		10			
33	t _{DRS}	PCM data input setup time	5					
34	t _{DRH}	PCM data input hold time	0					2.
-	t _{FSL}	FS low pulse width	1.5 t _{PCY}					6.

Notes:

1. The PCLK frequency must be an integer multiple of the Frame Sync (FS) frequency. Frame Sync is expected to be an accurate 8 kHz pulse train. The actual PCLK rate depends on the CSEL bit setting in the Chip Configuration register. The minimum frequency is 1.024 MHz and the maximum frequency is 8.192 MHz. If PCLK has jitter, care must be taken to ensure that all setup, hold, and pulse width requirements are met.
2. Values shown for VDDHPI = 3.3 V. Minimum t_{FSH} and t_{DRH} is 0.3 ns at 1.8 V and 0.2 ns at 2.5 V.
3. Values shown for VDDHPI = 3.3 V. Maximum t_{TSD} and t_{DXD} is 25 ns at 1.8 V and 18 ns at 2.5 V.
4. \overline{TSCA} is delayed from FS by a typical value of N • t_{PCY}, where N is the value stored in the time / calculus register.
5. t_{TSO} is defined as the time at which the output achieves the Open Circuit state.
6. Applies only when FS is active low.

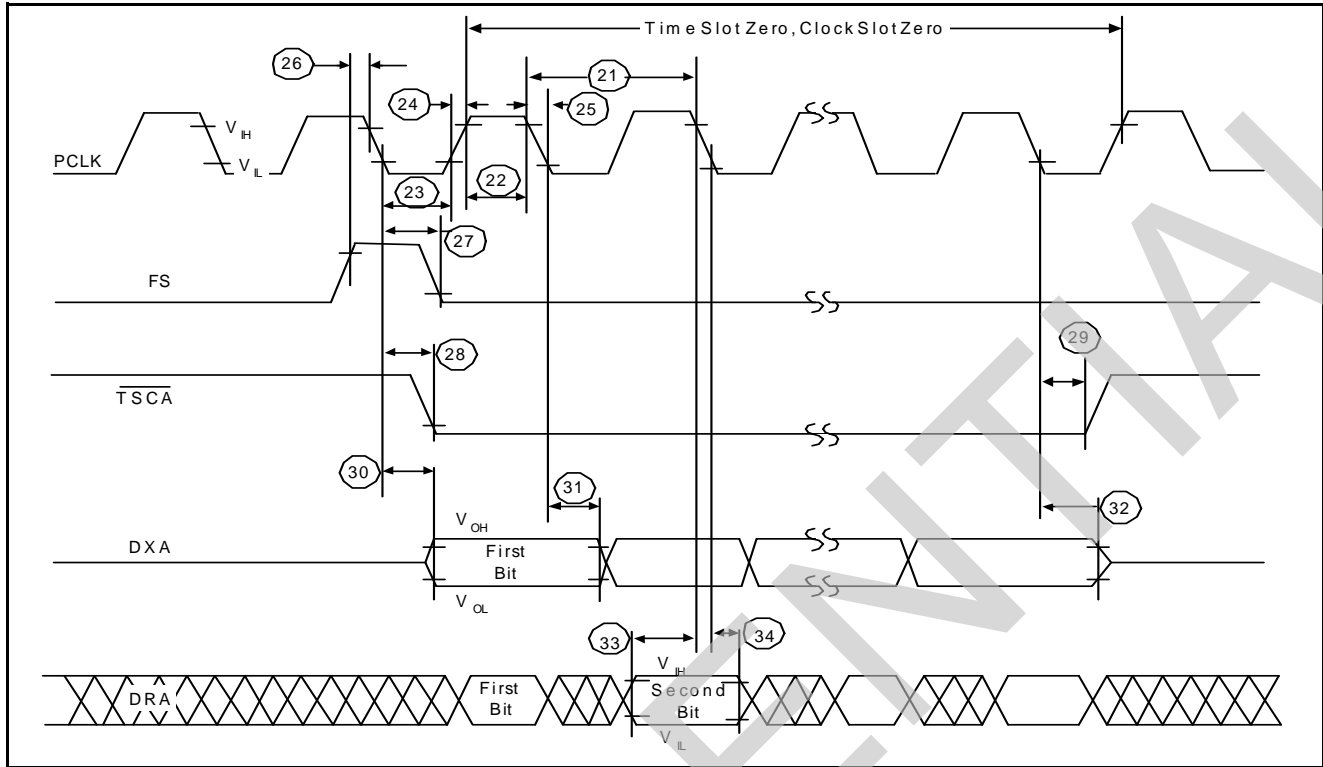


Figure 34 - PCM Highway Timing for XE = 0 (Transmit on Negative PCLK Edge)

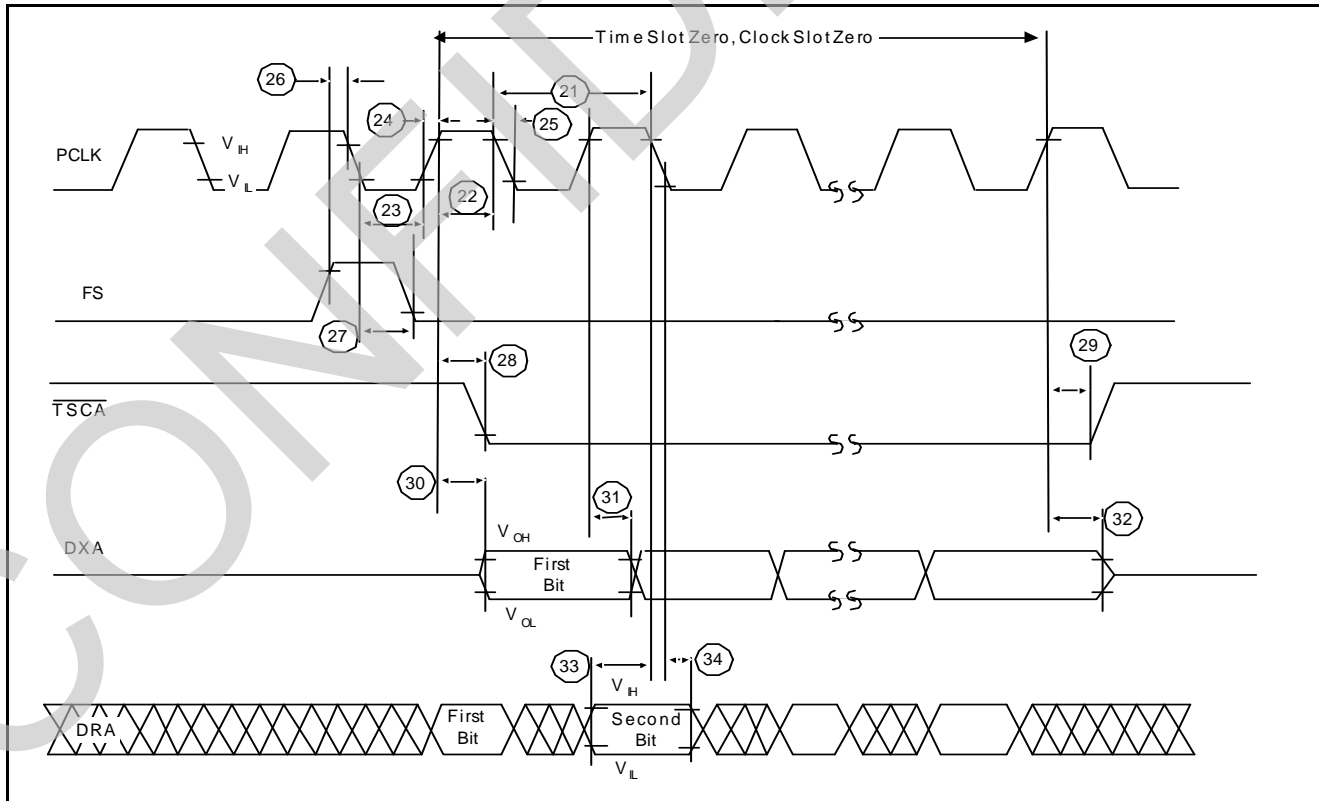


Figure 35 - PCM Highway Timing for XE = 1 (Transmit on Positive PCLK Edge)

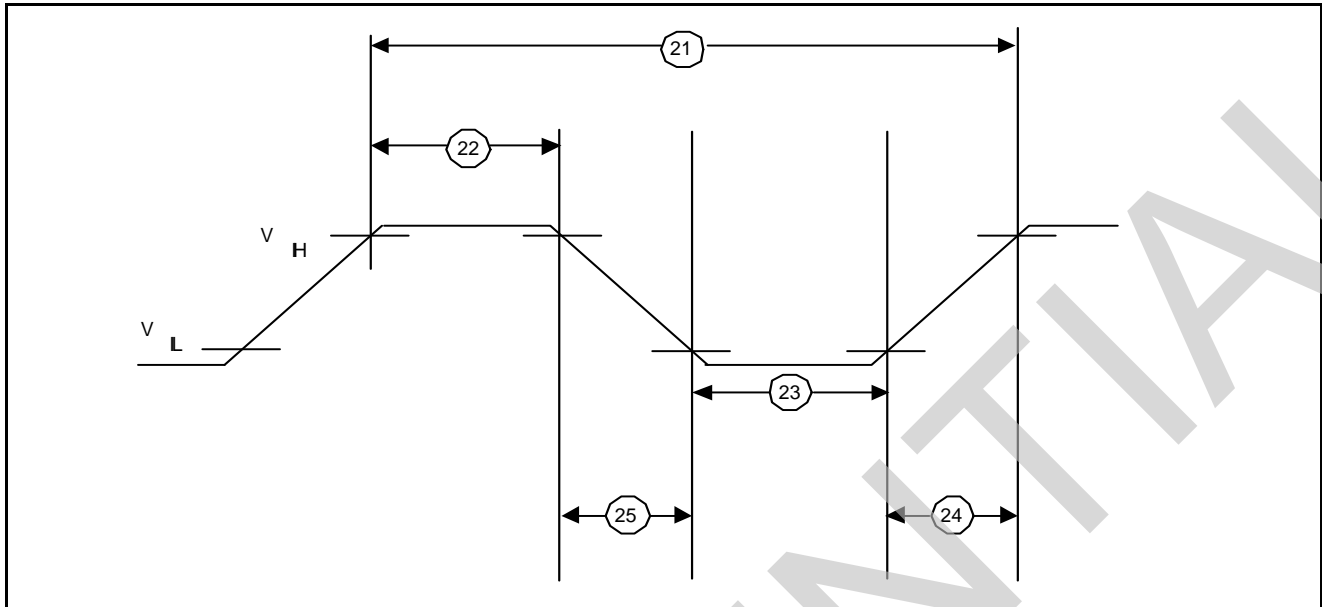


Figure 36 - PCM Clock Timing

6.2 ZSI Interface

The ZSI multiplexed serial interface is enabled when the $\overline{\text{ZSI}}$ pin is tied low. Note that ZCLK shall not exceed 8.192 MHz. All input setup and hold, and output delay and hold times are relative to either edge of ZCLK. Unless otherwise specified, the ZSI timing values are valid for $V_{DDHPI} = 1.8 V_{DC}$, $2.5 V_{DC}$, or $3.3 V_{DC}$. See [Figure 37](#) for the ZSI interface timing diagram.

No.	Symbol	Parameter	Min.	Typ.	Max.	Unit	Note
1	t_{ZCY}	ZSI Clock (ZCLK) period	122		977	ns	1.
2	t_{ZCH}	ZCLK high pulse width	48				
3	t_{ZCL}	ZCLK low pulse width	48				
4	t_{ZCF}	ZCLK fall time			8		
5	t_{ZCR}	ZCLK rise time			8		
6	t_{ZSS}	ZSYNC setup time	5				2.
	t_{SIS}	ZMOSI slave input setup time	5				
7	t_{ZSH}	ZSYNC hold time	0				2., 3.
	t_{SIH}	ZMOSI slave input hold time	0				
8	t_{ZSOD}	ZMISO slave output delay	0		16	2., 4.	
9	t_{ZST}	Allowed ZCLK or ZSYNCFS jitter time	-25		25	2.	

Notes:

- The ZCLK frequency must be an integer multiple of the ZSYNC frequency. ZSYNC is expected to be an accurate 8-kHz pulse train. The minimum frequency is 1.024 MHz and the maximum frequency is 8.192 MHz. If ZCLK has jitter, care must be taken to ensure that all setup, hold, and pulse width requirements are met.
- ZSYNC, ZMOSI, and ZMISO contain dual data rate signals which are sampled or driven on both edges of the ZCLK clock.
- Values shown for $V_{DDHPI} = 3.3 V$. Minimum t_{ZSH} and t_{SIH} is 0.3 ns at 1.8 V and 0.2 ns at 2.5 V.
- Value shown for $V_{DDHPI} = 3.3 V$. Maximum t_{ZSOD} is 25 ns at 1.8 V and 18 ns at 2.5 V.

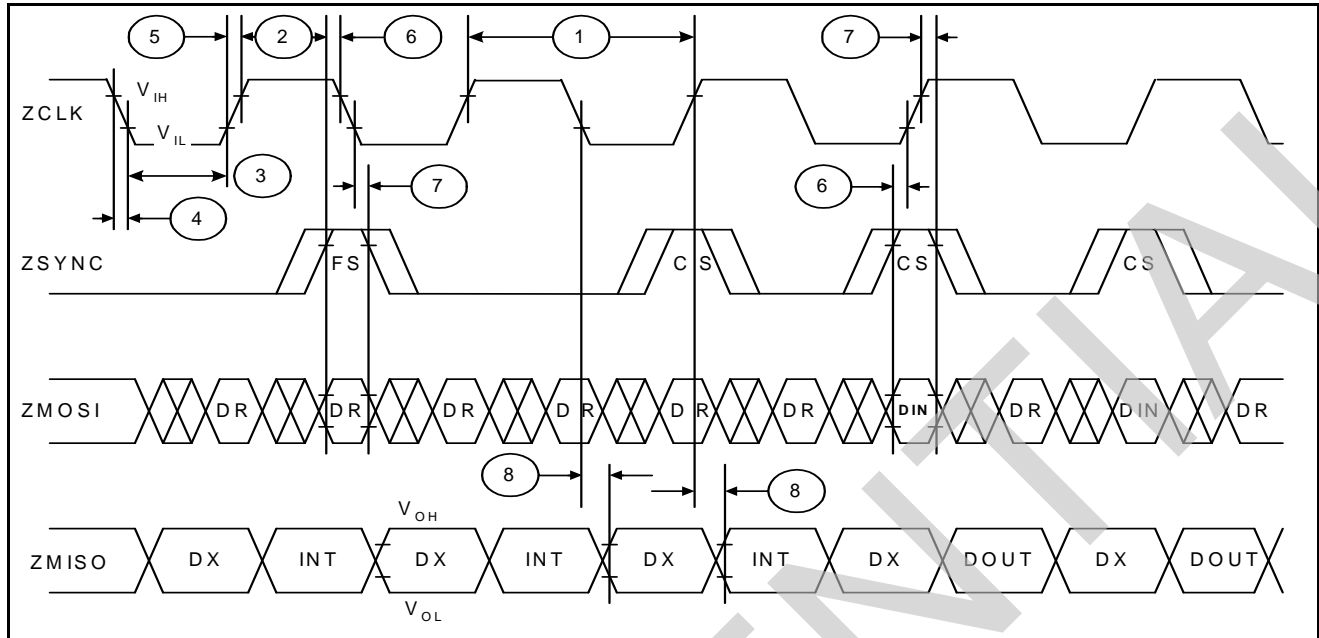


Figure 37 - ZSI Interface Timing Protocol

6.3 Switcher Output Timing

(See Figure 38 for the SWOUTY, SWOUTZ timing diagram)

No.	Symbol	Parameter	Min	Typ	Max	Unit	Notes
1	Tfall	Output fall time		15		ns	1.
2	Trise	Output rise time		30			
3LP	TPeriod	Period for Low Power mode		20.833		μs	2., 5.
4LP	Tmax	Max on-time for Low Power mode		1.017			
3MP	TPeriod	Period for Medium Power mode		1.953			
4MP	Tmax	Max on-time for Medium Power mode		1.017			
3HP	TPeriod	Period for High Power mode		1.953		μs	4., 5.
4HP	Tmax	Max on-time for High Power mode		1.017			
-	Duty Cycle LP	Duty cycle Low Power mode	0	2.5		%	2., 5.
-	Duty Cycle MP	Duty cycle Medium Power mode	0	52			
-	Duty Cycle HP	Duty cycle High Power mode	0	52			
5	Y to Z offset	Delay from SWOUTZ to SWOUTY on		1.302		μs	4., 5.
-		SWISY leading edge blanking period		120		ns	6.

Notes:

1. Measured with a 1.5 nF load between SWOUTx and ground.
2. Register E6/E7h Write/Read Switching Regulator Control is loaded with low power mode 01h.
3. Register E6/E7h Write/Read Switching Regulator Control is loaded with medium power mode 02h.
4. Register E6/E7h Write/Read Switching Regulator Control is loaded with high power mode 03h.
5. Timing values assume SWFS[1:0] = 00b in E4/E5h Write/Read Switching Regulator Parameters. Stated periods and on times scale inversely with frequency selected.
6. This is a programmable setting with the default value shown here.

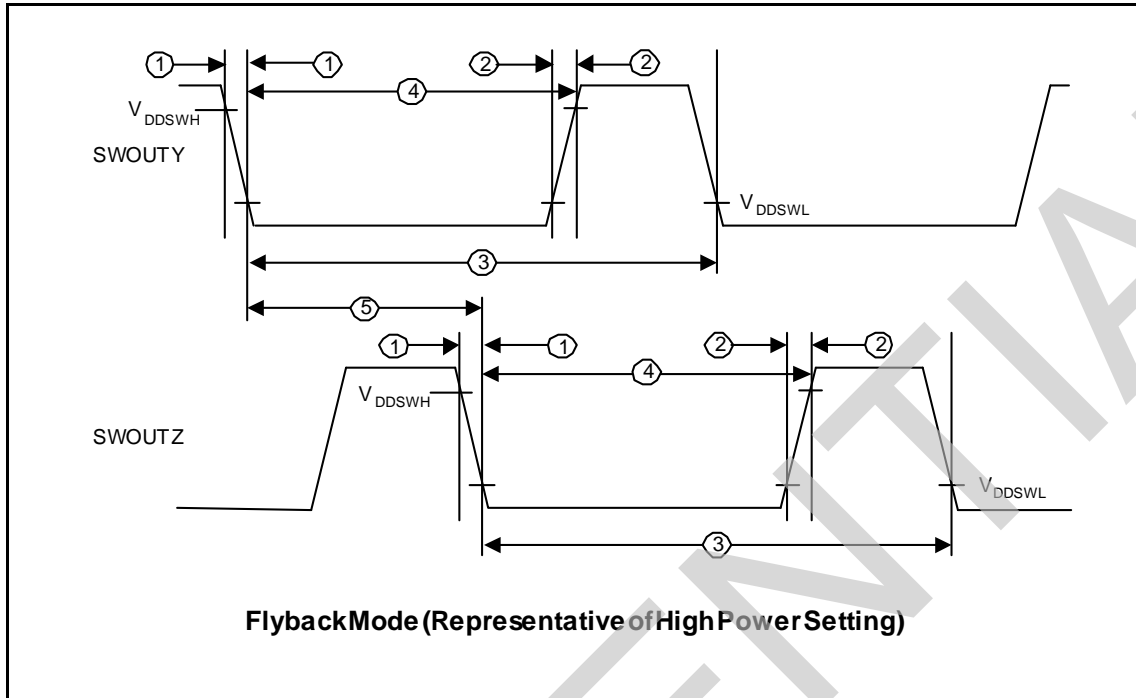


Figure 38 - Switcher Output Waveform SWOUTY, SWOUTZ

CONFIDENTIAL

7.0 Device Pinout

The pins of the ZL88601/602 device are listed and described in this section. Note that there are no ground pins. All ground connections inside this device are made through the exposed pad.

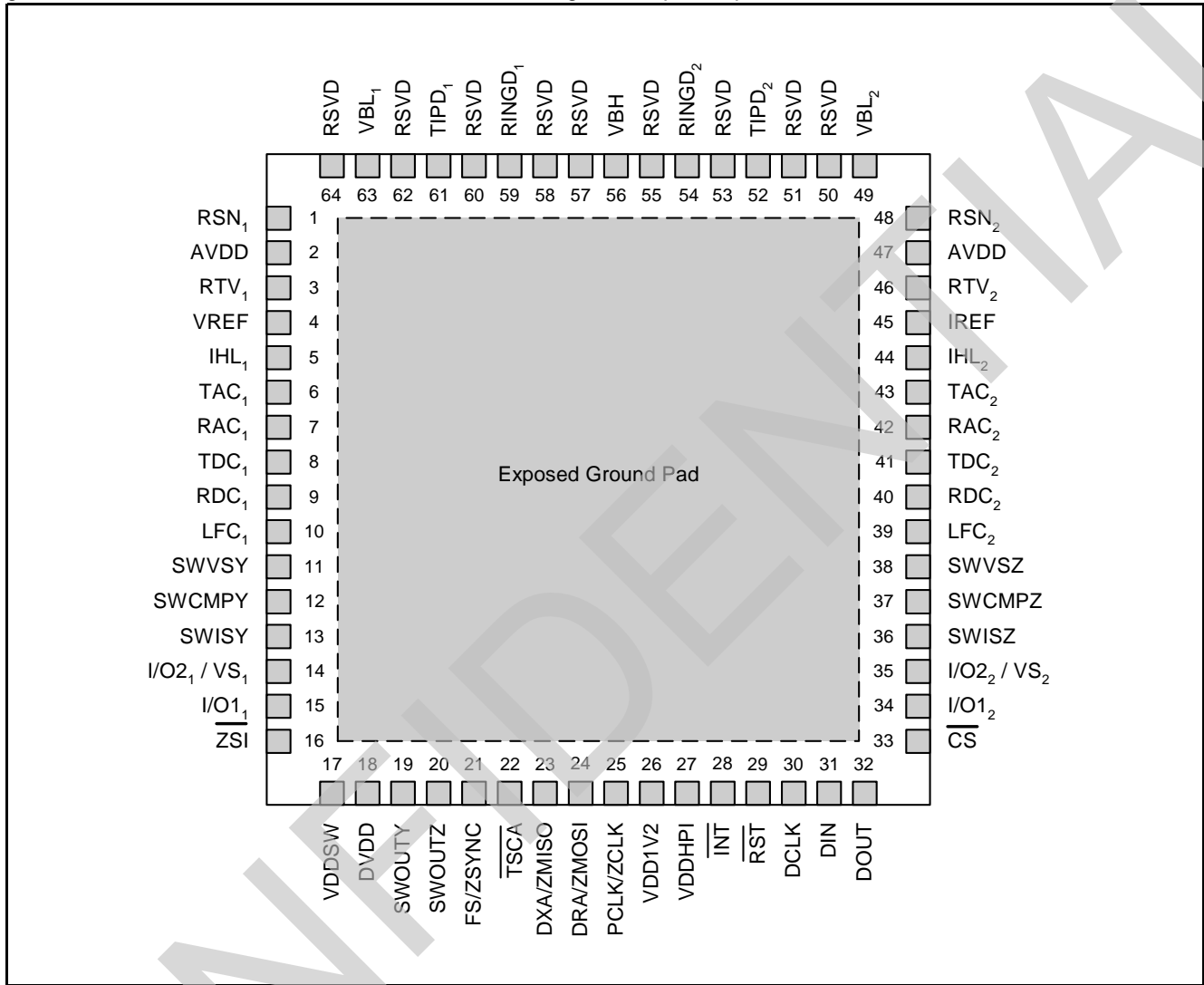


Figure 39 - ZL88601/602 Device Pinout (QFN-64) - Top View

Name	Type	Description
AVDD/DVDD	Power	3.3 V Analog and digital power supply inputs. AVDD and DVDD are provided to allow for noise isolation and proper power supply decoupling techniques. For best performance, all of the VDD power supply pins should be connected together at the power supply or power connection to the printed circuit board.
$\overline{\text{CS}}$	Input	In the PCM and SPI mode, the Chip Select input (active low) enables the device so that control data can be written to or read from the part. This pin features a weak (1.0 M Ω) internal pull-up to VDDHPI.
DCLK	Input	Data Clock. In the PCM and SPI mode, the Data Clock input shifts data into and out of the microprocessor interface of the device. The maximum clock rate is 8.192 MHz. This pin features a weak (1.0 M Ω) internal pull-up to VDDHPI.
DIN	Input	Data Input. In the PCM and SPI mode, control data is serially written into the device via the DIN pin, most significant bit first. The Data Clock determines the data rate. This pin features a weak (1.0 M Ω) internal pull-up to VDDHPI.
DOUT	Output	Data Output. In the PCM and SPI mode, control data is serially written out of the device via the DOUT pin, most significant bit first. The Data Clock determines the data rate. DOUT is high impedance except when data is being transmitted, which allows DIN and DOUT to be directly tied together in systems which use a single line for data input and output. This pin features a weak (1.0 M Ω) internal pull-up to VDDHPI.
DRA/ZMOSI	Input	PCM or ZSI Data Input. PCM voice (in PCM and SPI mode) or multiplexed PCM voice and control data (in ZSI mode) is written serially into the device through this pin, most significant bit first. PCLK/ZCLK determines the data rate.
DXA/ZMISO	Output	PCM or ZSI Data Output. PCM (in PCM and SPI mode) or multiplexed PCM voice and control data (in ZSI mode) is written serially out of the device through this pin, most significant bit first. PCLK/ZCLK determines the data rate.
FS/ZSYNC	Input	Interface synchronization signal for PCM voice (in PCM and SPI mode) or for multiplexed PCM voice and control channels (in ZSI mode).
IHL ₁ , IHL ₂	Output	High Level Current Drive Filter.
$\overline{\text{INT}}$	Output	Interrupt. $\overline{\text{INT}}$ is an active low output signal, which is programmable as either 3 V CMOS compatible or open drain (with external 4.7 K Ω pull-up resistor to VDDHPI required). This pin features a weak (1.0 M Ω) internal pull-up to VDDHPI.
I/O ₁ , I/O ₂	I/O	General Purpose Input/ Output 1 on Channels 1 and 2, respectively. Each of these two I/O's is capable of driving a 150 mW, 3 V relay (external catch diode required) or an LED, sinking up to 70 mA.
I/O ₂ / VS ₁	I/O or Input	General Purpose Input/ Output 2 on Channel 1 or Voltage Sense 1. When configured as a voltage sense input, connect a 1.0 M Ω 1% resistor between this pin and the voltage to be monitored. The maximum working voltage rating of the resistor must be higher than the monitored voltage.
I/O ₂ / VS ₂	I/O or Input	General Purpose Input/ Output 2 on Channel 2 or Voltage Sense 2. When configured as a voltage sense input, connect a 1.0 M Ω 1% resistor between this pin and the voltage to be monitored. The maximum working voltage rating of the resistor must be higher than the monitored voltage.
IREF	Input	Current Reference. An external resistor R _{REF} connected between this pin and analog ground generates an accurate current reference used by the analog circuits on the chip.
LFC ₁ , LFC ₂	Output	Connection for longitudinal filter capacitor.
PCLK/ZCLK	Input	PCM or ZSI Data Clock 1.024 to 8.192 MHz. This is the clock for the PCM (in PCM and SPI mode) or ZSI (in ZSI mode) interfaces.
RAC ₁ , RAC ₂	Input	Ring lead AC sense. A series R + C network is connected from this pin to the Ring lead.
RDC ₁ , RDC ₂	Input	Ring lead DC Sense. A resistor is connected from this pin to the Ring lead. The connection can be to either side of the protection resistor.
RINGD ₁ , RINGD ₂	Output	RING-lead (B) output to the two-wire line.

RSN ₁ , RSN ₂	Input	High voltage line drive receive current summing node for each channel.
$\overline{\text{RST}}$	Input	Device Hardware Reset. A logic Low signal at this pin resets the device to its default state.
RSVD	Open	Reserved. Make no connection to this pin.
RTV ₁ , RTV ₂	Output	Drive output for two-wire AC impedance scaling resistor.
SWCMPY, SWCMPZ	Output	Compensation connection for switching regulator controller.
SWISY, SWISZ	Input	Current sense input for switching regulator controller.
SWOUTY, SWOUTZ	Output	Pulse output for gate drive to switching regulator FET.
SWVSY, SWVSZ	Input	Voltage sense for switching regulator controller.
TAC ₁ , TAC ₂	Input	Tip lead AC Sense. A series R + C network is connected from this pin to the Tip lead.
TDC ₁ , TDC ₂	Input	Tip lead DC Sense. A resistor is connected from this pin to the Tip lead. The connection can be to either side of the protection resistor.
TIPD ₁ , TIPD ₂	Output	TIP-lead (A) output to two-wire line.
$\overline{\text{TSCA}}$	Output	Time Slot Control. The Time Slot Control output is open-drain (requiring an external 240 Ω pull-up resistor to VDDHPI, if used) and is normally inactive (high impedance). In the PCM and SPI mode, TSCA is active (low) when PCM data is transmitted on the DXA pin. This signal is not used in the ZSI mode and may be left floating.
VBH	Supply	High (On Hook, OHT, and Ringing) Battery Supply, and bias voltage for the high voltage line driver.
VBL ₁ , VBL ₂	Supply	Low (Off Hook) Battery Supply.
VDD1V2	Output	Internally generated 1.2 V supply. Connect a 0.1 μF ceramic decoupling capacitor between this pin and ground.
VDDHPI	Power	Digital power supply input for SPI and PCM/ZSI pins. Place a 0.1 μF ceramic decoupling capacitor between this pin and ground.
VDDSW	Power	This supply is used to drive the MOSFET on the external switcher circuit. Enable the internal pump charge circuit to generate $\sim 4.7 V_{\text{DC}}$. Place a 0.1 μF ceramic decoupling capacitor between this pin and ground. To avoid stressing this pin, ensure that VDDSW is never hard tied to ground at any time, including during power up and power down cycles.
VREF	Output	Analog Voltage Reference. The VREF output has an external 10 μF ceramic capacitor connected to ground, filtering noise present on the internal voltage reference.
$\overline{\text{ZSI}}$	Input	ZSI Mode Select. Connect to ground for ZSI mode or to DVDD for PCM and SPI mode.
Exposed Ground Pad (EPAD/GND)	Power	Thermal Pad and Circuit Ground. Connect to a ground plane on the printed circuit board for thermal conduction and electrical connection to ground return. This is the only ground connection on the device.

8.0 Application Information

8.1 Line Interface Circuit

Figure 40 below shows a typical line interface circuit for the ZL88601/602 configured for operation in the PCM and SPI mode. Decoupling, filtering, and reference generation components are also shown. An example ABS switching regulator circuit is shown in Figure 41 on page 59.

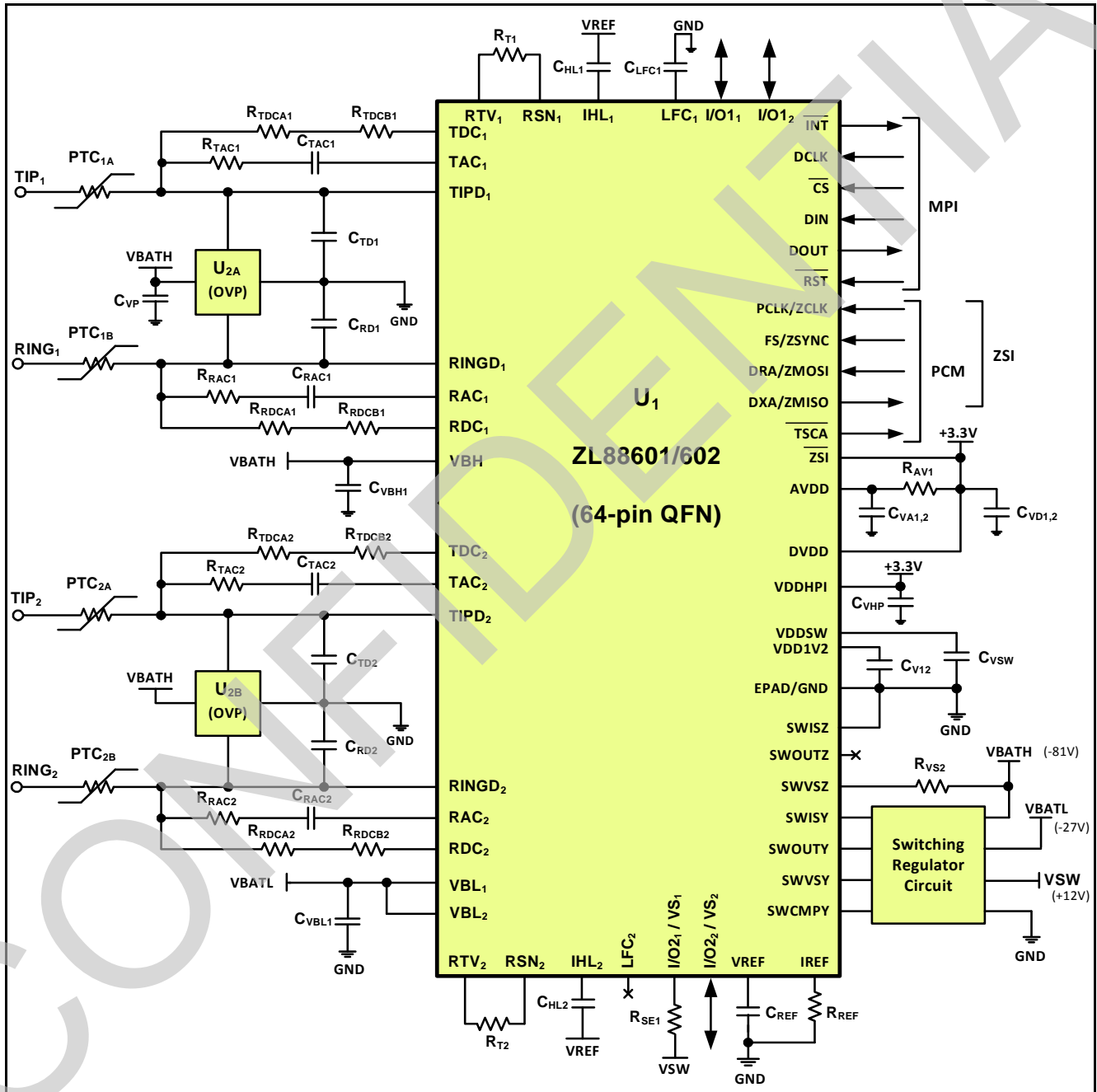


Figure 40 - ZL88601/602 Line Interface Circuit

8.2 Line Interface Circuit Bill of Materials

Qty.	Item	Type	Value	Tol.	Rating	Size	Note
4	C _{H1} , C _{H2} , C _{VA1} , C _{VD1}	Ceramic Capacitor	4.7 μF, X5R	20%	6.3 V	0603	
3	C _{LFC1} , C _{V12} , C _{VA2}	Ceramic Capacitor	0.1 μF, X7R	10%	16 V	0402	
8	C _{RAC1} , C _{RAC2} , C _{RD1} , C _{RD2} , C _{TAC1} , C _{TAC2} , C _{TD1} , C _{TD2}	Ceramic Capacitor	0.022 μF, X7R	10%	100 V	0603 or 0805	1.
1	C _{REF}	Ceramic Capacitor	10 μF, X5R	10%	6.3 V	0805	
1	C _{VBH1}	Ceramic Capacitor	0.01 μF, X7R	20%	250 V	0805	
1	C _{VBL1}	Ceramic Capacitor	0.01 μF, X7R	10%	50 V	0603	
2	C _{VD2} , C _{VHP}	Ceramic Capacitor	0.01 μF, X7R	10%	16 V	0402	
1	C _{VP}	Ceramic Capacitor	0.1 μF, X7R	10%	100 V	0805	1.
1	C _{VSW}	Ceramic Capacitor	0.047 μF, X7R	10%	16 V	0402	
2	P _{TC1} , P _{TC2}	Dual Matched PTC Thermistors	7 Ω, 0.13 A Hold	20%	250 V _{RMS} / 3A		2., 3.
1	R _{AV1}	Resistor	1.0 Ω	5%	1/10 W	0603	
1	R _{RAC1} , R _{RAC2} , R _{TAC1} , R _{TAC2}	Resistor	10 KΩ	1%	150 V	0805	
8	R _{RDCA1} , R _{RDCA2} , R _{RDCB1} , R _{RDCB2} , R _{TDCA1} , R _{TDCA2} , R _{TDCB1} , R _{TDCB2}	Resistor	499 KΩ	1%	200 V	1206	
1	R _{REF}	High-Precision Thin Film Resistor	75.0 KΩ	0.5%, 25ppm	1/16 W	0402	4.
1	R _{SE1}	Resistor	1.0 MΩ	1%	50 V	0402	5.
1	R _{T1} , R _{T2}	Resistor	47.5 KΩ	1%	1/16 W	0402	
1	R _{VS2}	Resistor	1.00 MΩ	1%	150 V	0805	
1	U ₁	IC, Dual Channel Wideband ABS VoicePort	Microsemi ZL88601/602		-100 V/-120 V	QFN-64	
1	U ₂	IC, Programmable Dual Channel SLIC Protector	Bourns TISP61089Q or TISP6NTP2C, STMicro LCDP1521S		-150 V/30 A	SOIC-8	2.

Notes:

- For ZL88602-based designs with ≥ 70 V_{PK} maximum ringing, the rating of these capacitors should be increased to 200 V or 250 V.
- Protection components depend on the target application. The components on the BOM are believed to be suitable for ITU-T Recommendation K.21 (Basic Level) and Telcordia GR-1089-CORE Intra-Building compliance. Please check with Microsemi CMPG Customer Applications for component selection for other safety or EMC standards.
- Recommended dual PTCs include Bourns CMF-SDP07 or MF-SD013/250.
- The tolerance and stability of this resistor are critical as they affect calibration and measurement accuracy. Microsemi recommends using resistors with 0.5% tolerance and 25 ppm/°C temperature coefficient for most applications. Examples include Susumu RR0510P-753-D, Panasonic ERA-2AED753X, and Yageo RT0402DRD0775KL. For high-performance applications, 0.1% 25 ppm/°C resistors such as Panasonic ERA-2AEB753X or Yageo RT0402BRD0775KL are recommended.
- Populate only to sense the voltages shown on the schematic. Always make sure that these resistors are selected so that their maximum working DC voltage rating is more than the desired sensed voltage.

8.3 Switching Regulator Circuit

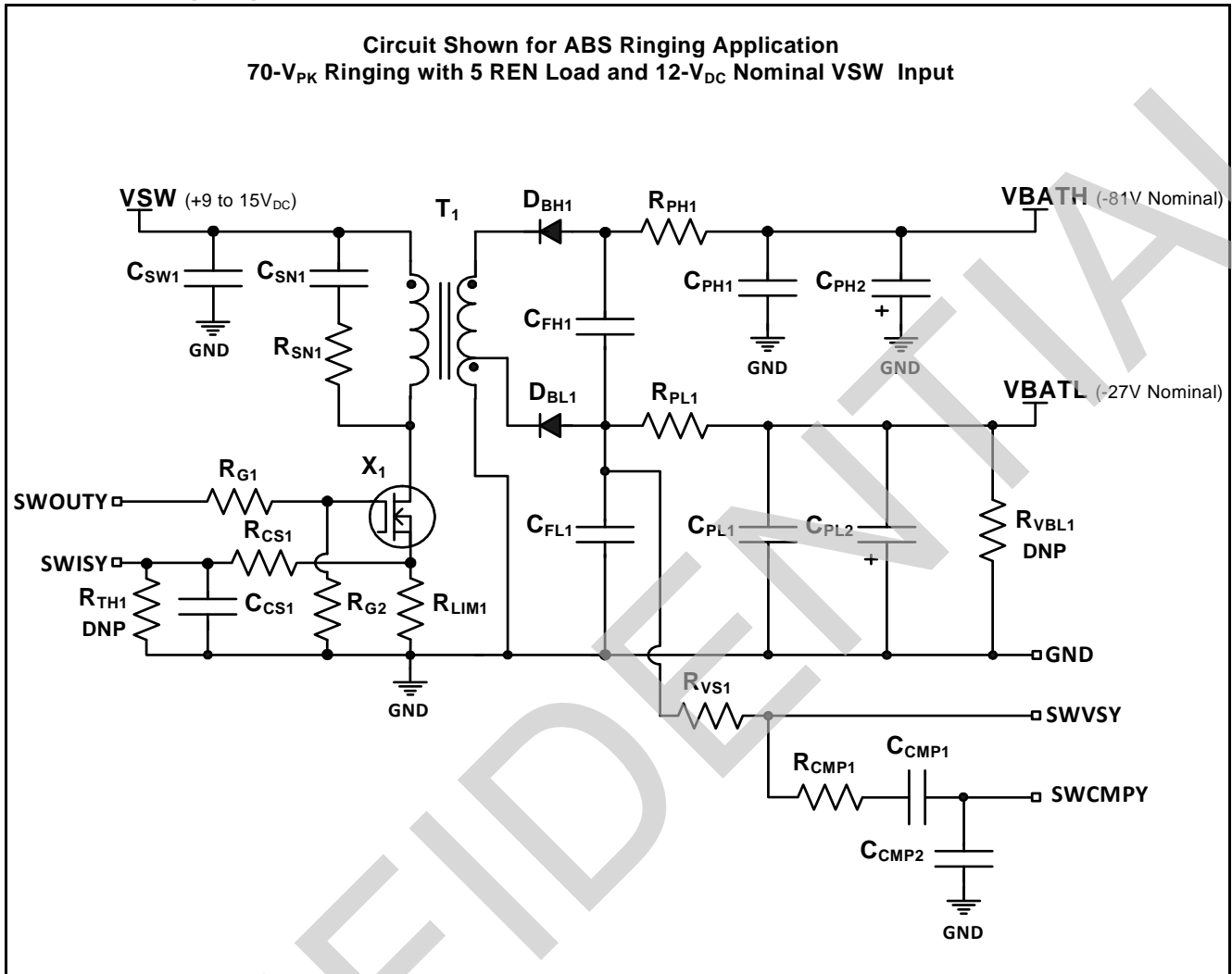


Figure 41 - ABS Switching Regulator Circuit

8.4 Switching Regulator Circuit Bill of Materials

Qty.	Item	Type	Value	Tol.	Rating	Size	Part Number / Note
1	C _{CMP1}	Ceramic Capacitor	0.01 μ F, X7R	10%	25 V	0402	
2	C _{CMP2} , C _{CS1}	Ceramic Capacitor	220 pF, X7R	10%	50 V	0402	
1	C _{FH1}	Ceramic Capacitor	1.0 μ F, X7R or X7S	20%	100 V	0805 or 1206	1.
1	C _{FL1}	Ceramic Capacitor	2.2 μ F, X5R or X7R	10%	50 V	1206	
1	C _{PH1}	Ceramic Capacitor	0.1 μ F, X7R or X7T	20%	100 V	0805 or 1206	1.
1	C _{PH2}	Electrolytic Capacitor	0.47 μ F, 105°C	20%	160 V	6.3x11mm	
1	C _{PL1}	Ceramic Capacitor	1.0 μ F, X7R	20%	50 V	0805	
1	C _{PL2}	Electrolytic Capacitor	1.0 μ F, 105°C	20%	50 V	5x11 mm	Optional
1	C _{SN1}	Ceramic Capacitor	470 pF, X7R	20%	100 V	0603	
1	C _{SW1}	Ceramic Capacitor	10 μ F, X5R or X7R	20%	25 V	1206	
2	D _{BH1} , D _{BL1}	Ultra-Fast Recovery Rectifier	$t_{rr} \leq 50$ nS		1 A / 400 V	SMA	ES1G, US1G, or equivalent
1	R _{CMP1}	Resistor	402 K Ω	1%	1/16 W	0402	
1	R _{CS1}	Resistor	1.00 K Ω	1%	1/16 W	0402	
1	R _{G1}	Resistor	4.7 Ω	5%	1/16 W	0402	
1	R _{G2}	Resistor	10 K Ω	5%	1/16 W	0402	
1	R _{LIM1}	Current Sense Resistor	0.02 Ω	1%	1/2 W	1206	Yageo PF1206FRF070R02 or equivalent
2	R _{PH1} , R _{SN1}	Resistor	20 Ω	5%	1/4 W	1206	
1	R _{PL1}	Resistor	10 Ω	5%	1/4 W	1206	
1	R _{TH1}	Resistor	TBD	1%	1/16 W	0402	Do not populate
1	R _{VBL1}	Resistor	100 K Ω	5%	1/10 W	0603	Do not populate
1	R _{V_S1}	Resistor	1.00 M Ω	1%	150 V	0805	
1	T ₁	Flyback Transformer	2.0 μ H, 1:10 Turns Ratio			EP7 or EE8.8	UMEC TG-UTB02071s or TG-UTB02072s, Sumida C8800, or C8900 ⁽²⁾
1	X ₁	N-Channel MOSFET, Logic Level, Avalanche-Rated	$R_{DS(ON)} \leq 100$ m Ω , $Q_{G(tot max)} @ (V_{GS}=4.5V) \leq 12$ nC, $I_{AR} > 10A$, $E_{AR} > 1$ mJ		≥ 3.5 A / 30 V	SOIC-8	Alpha & Omega AO4466, Analog Power AM6612N, Diodes DMG4466SSS-13, Fairchild FDS6612A, or equivalent

Notes:

- For ZL88602 designs with ≥ 70 V_{PK} maximum ringing, these capacitors should be rated at or 200 V or 250 V.
- EP7 transformers are smaller, while EE8.8 transformers tend to be less expensive. Note that pin 1 location may vary between transformers.

9.0 Programming the ZL88601/602

The ZL88601/602 device is programmed through the *VoicePath Application Program Interface II (VP-API-II)*. This API hides the complexity of the device and its internal registers and provides a much simpler interface to the software engineer. The *VoicePath Software Development Kit (SDK)* accelerates the development cycle and reduces the development time. It also allows the user to build on proven software that is currently used to control over 100 million subscriber lines worldwide.

9.1 Programmable Features

The features directly supported by *VP-API-II* are dependent upon the underlying device capabilities. The following features are supported by the *VP-API-II* for the ZL88601/602:

- AC and DC coefficient programming
- Ringing parameter (amplitude, frequency, bias, type) and power management
- Tone generation (frequency, amplitude, and modulation)
- Programmable tone and ringing cadence
- Universal Caller ID generation (Types 1 and 2) with FSK and DTMF signaling
- Loop start signaling, including dial pulse detection
- Ground start signaling
- Seamless integration of the Microsemi *VeriVoice Professional Test Suite Software* for *Telcordia® GR-909-CORE* metallic loop testing
- Four modes of interrupt support

9.2 VoicePath SDK Overview

The *VoicePath Software Development Kit (SDK)* is a software package provided to simplify development using Microsemi voice products. It consists of:

1. *VoicePath API-II* or *VoicePath API-II Lite* – C source libraries to abstract the Microsemi ZL880, VE790, VE880, and VE890 devices from the application code. The *VP-API-II* contains the full software and requires a Software License Agreement (SLA). The *VP-API-II Lite* is a subset of the full *VP-API-II* and allows for basic functionality for initialization and state / event handling. It does not include tone or ringing cadencing or Caller ID generation. The *VP-API-II Lite* does not require an SLA and is suitable for use in open-source applications. This data sheet and associated feature descriptions and specifications require *VP-API-II* version 2.20.1 or later be used.
2. *VoicePath Profile Wizard* – A *Windows* GUI application that aids in the organization and creation of *Profiles* used in the *VP-API-II* into a single project file. The ZL88601/602 device is supported in version 2.3.2 or later.
3. Example Hardware Abstraction Layer (HAL) and System Services functions required by *VP-API-II*.
4. Example applications using *VP-API-II* functions. Provided to help the programmer verify correct implementation of the HAL, System Services, and *VP-API-II* function use.
5. Microsemi *Telephony Applications Platform (ZTAP)* – This optional hardware platform is used to demonstrate the capabilities of devices or chip sets in the ZL880, VE880 and VE890 families.
6. *ZTAP Support Package* – This software package contains system files for the ZTAP board and *Microsoft Windows* USB drivers for communicating with it. The ZL88601/602 device is supported in version 1.12.0 or later.
7. *Microsemi Voice Toolkit* – A collection of menu-driven applications to be used in conjunction with the ZTAP for demonstration and testing. It includes *VP-Script*, a TCL/TK-based scripting environment, and *Mini-PBX*, a call control and routing application. The ZL88601/602 device is supported in version 1.8.0 or later.

9.3 VoicePath API-II Software Overview

9.3.1 Introduction

The Microsemi *VoicePath Application Programming Interface II (VP-API-II)* is a C source code module that provides a standard software interface for controlling, testing, and passing digitized voice through a set of subscriber lines using the Microsemi family of voice termination devices. This section describes a few of the device and line control capabilities using the *VP-API-II* interface. For a complete list, refer to *ZL880 VP-API-II Reference Guide*. *VP-API-II* uses the layered architecture shown below. The portion of the diagram in white is Microsemi-provided code, while the gray portions are customer-provided.

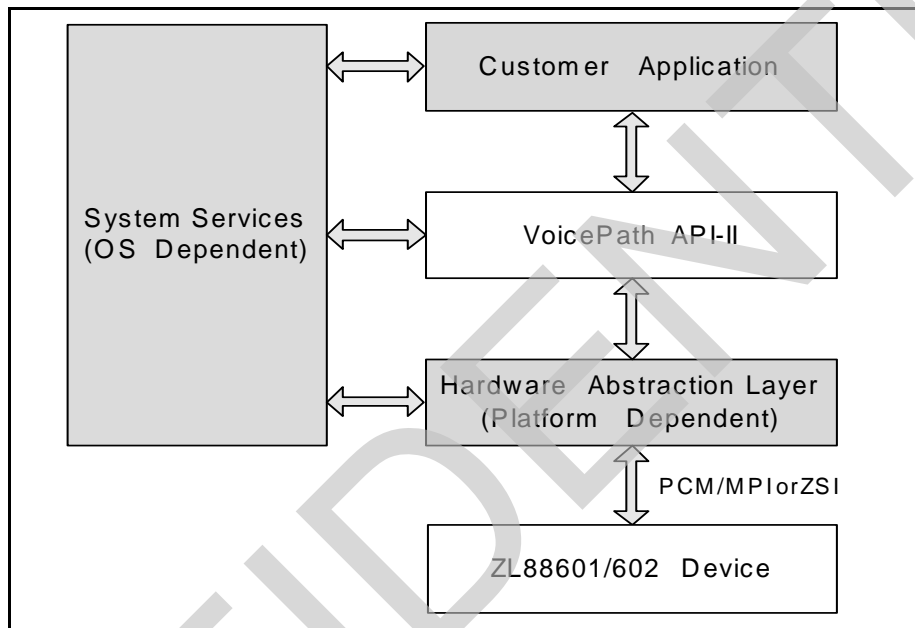


Figure 42 - VP-API-II Software Architecture

9.3.2 Customer Application

This block represents the user's line management module that performs tasks such as initializing the system, configuring lines, changing the line states in response to line events and other inputs, switching digitized voice traffic, etc. Microsemi provides example implementations of this layer as part of the *VoicePath SDK*.

9.3.3 VoicePath API-II

The *VoicePath API-II* is the core component of the Microsemi *VoicePath SDK*. This software module runs on the host microprocessor that controls one or more Microsemi voice telephony devices. This code is provided by Microsemi and should not require modification by the application developer.

9.3.4 Hardware Abstraction Layer

The Hardware Abstraction Layer (HAL) provides access to Microsemi voice telephony devices through the SPI or the multiplexed ZSI interfaces, depending on the selected device and mode. The HAL software is platform-dependent and must be implemented by the *VP-API-II* user. Microsemi provides example HAL source code with the *VoicePath SDK*.

9.3.5 System Services Layer

The System Services layer provides critical section, timing and interrupt control functions. These functions are system-dependent and must be implemented specifically for each platform on which the *VP-API-II* is used. Microsemi provides example System Services code for use with the Microsemi *ZTAP*. The following functions are included in the System Services layer.

Function Name	Description
VpSysEnterCritical()	A semaphore operation to provide protected access to device or shared memory. Required only in multi-threaded architectures.
VpSysExitCritical()	A semaphore operation to release protected access to device or shared memory. Required only in multi-threaded architectures.
VpSysWait()	Delay operator used to suspend program/thread execution. Delay parameter passed in 125 μ s steps.
VpSysDebugPrintf()	Print mechanism used by <i>VP-API-II</i> debug features.
VpSysTestInt()	Interrupt function for Efficient Poll Mode. Required for backward compatibility with <i>VE880</i> code.

Table 10 - VP-API-II Functions for System Services

9.4 System Configuration Functions

Two main functions in *VP-API-II* are required in all applications are listed below:

Function Name	Description
VpMakeDeviceObject()	Configures a specific device (chip select) to a device context. Provides <i>VP-API-II</i> with device specific type (<i>deviceType</i>).
VpMakeLineObject()	Configures a specific line (channel) to a line and device context. Provides <i>VP-API-II</i> with line specific type (<i>termType</i>).

Table 11 - VP-API-II Functions for System Configuration

When using the ZL88601/602 device, the following settings must be used:

- The value for *deviceType* in *VpMakeDeviceObject()* must be: `VP_DEV_886_SERIES`
- The value for *termType* in *VpMakeLineObject()* must be:
 - `VP_TERM_FXS_GENERIC` when *channelId* = 0 and Normal Standby operation is desired
 - `VP_TERM_FXS_LOW_PWR` when *channelId* = 0 and Low Power Standby operation is desired.

Please refer to *ZL880 VP-API-II Reference Guide* for additional details.

9.5 Initialization

The *VP-API-II* functions that perform initialization are listed below. Please refer to [10.0, "VP-API-II Profiles" on page 67](#) for the use of these functions with each associated *Profile*.

Function Name	Description
VpInitDevice()	Resets and initializes device with parameters defined in the specified <i>Profiles</i> .
VpInitLine()	Resets and initializes line with parameters defined in the specified <i>Profiles</i> .
VpInitRing()	User function to provide Ringing Cadence. Also allows use selection of <i>Caller ID Profile</i> associated with ringing.

9.6 Line State Control

The Signaling Control blocks process the Line State information to perform related control functions such as DC feed, ringing generation, and line test for each channel.

Fifteen system states are possible for the operation of the FXS channel on the ZL88601/602: VP_LINE_DISABLED, VP_LINE_DISCONNECT, VP_LINE_STANDBY, VP_LINE_TIP_OPEN, VP_LINE_OHT, VP_LINE_ACTIVE, VP_LINE_TALK, VP_LINE_RINGING, VP_LINE_HOWLER, and corresponding reverse polarity of each state.

Function Name	Description
VpSetLineState()	Sets line to state specified. After VpInitDevice() or VpInitLine(), the default line state is VP_LINE_DISCONNECT.

Table 12 - VP-API-II Functions for Line State Control

9.6.1 VP_LINE_DISABLED

VP_LINE_DISABLED is the power-up and hardware reset state of the device. The System State register is in *Shutdown*, the voice channel is deactivated and the switching regulator is off. No transmission or signaling is possible. This state can also be entered due to certain fault conditions such as battery overvoltage or clock fault.

9.6.2 VP_LINE_DISCONNECT

In the VP_LINE_DISCONNECT state, the SLIC block outputs are shut off providing a high impedance to the line. This state can be used for denial of service. The switching regulator is active and outputs the programmed SWFV floor voltage. The voice channel is normally deactivated, but can be activated and used with the converter configuration command to monitor the voltages on Tip or Ring for line diagnostics.

9.6.3 VP_LINE_STANDBY

The VP_LINE_STANDBY state is used when On-Hook. This state behaves differently based on the FXS line termination type selected according to [“System Configuration Functions” on page 63](#).

If the termination type VP_TERM_FXS_GENERIC is selected, the DC feed is active, and hook supervision functions are enabled. The loop feed polarity is controlled by the VP-API-II. The high voltage switching regulator only generates the voltage needed to support the DC line voltage defined by the DC feed curve shown in [Figure 3.8 on page 23](#). The DC feed drives Tip and Ring to the programmed VOC. Voice transmission is disabled to save power.

If the termination type VP_TERM_FXS_LOW_PWR is selected, a special *Low Power Idle Mode (LPIM)* state is supported to reduce on-hook power consumption to about 60 mW per channel, while still being able to detect off-hook transitions. In this mode, the DC feed is not active and a voltage is presented to the Ring lead. The line voltage is monitored so that any transitions to off-hook state can be detected. Voice transmission is disabled in this state.

9.6.4 VP_LINE_OHT

In the VP_LINE_OHT states, the DC feed is activated and voice transmission is enabled. VP_LINE_OHT allows the transmission of Caller ID information. Hook supervision functions are operating. The switching regulator only generates the negative high voltage needed to support the DC line voltage defined by the DC feed curve. In this way, power consumption is minimized.

9.6.5 VP_LINE_ACTIVE, VP_LINE_TALK

In the `VP_LINE_ACTIVE` and `VP_LINE_TALK` states, the DC feed is activated. The PCM highway is enabled in `VP_LINE_TALK` and disabled in `VP_LINE_ACTIVE`. Both states allow the transmission of Caller ID information for Type 2 Caller ID. Hook supervision functions are operating. The switching regulator only generates the negative high voltage needed to support the DC line voltage defined by the DC feed curve. In this way, power consumption is minimized.

9.6.6 VP_LINE_TIP_OPEN

In the `VP_LINE_TIP_OPEN` state, the device provides a high impedance on the Tip lead and drives the Ring lead to the programmed VOC voltage. The loop supervision detector monitors the ground key current. When this current is larger than the programmed threshold, the *VP-API-II* reports a ground start event. This state can also be used to determine Ring to ground leakage and Ring to ground capacitance in combination with the appropriate converter configuration.

9.6.7 VP_LINE_RINGING

In the `VP_LINE_RINGING` state, the voice DAC is used to apply the ringing signal generated from Signal Generator A and the Bias generator to the SLIC block. Internal feedback maintains a low (200 Ω) system output impedance during ringing. The current limit is increased in the *Ringing* state and is programmable via the parameter, ILR. In order to minimize line transients, entry and exit from the `VP_LINE_RINGING` states are intelligently managed by the ZL88601/602. When ringing is requested by the user, the corresponding signal generators are started but not applied to the subscriber line until the ringing voltage is equal to the on-hook Tip-Ring voltage. This algorithm, known as *Ring Entry*, assures that there is a smooth line transition when entering the `VP_LINE_RINGING` state. *Ring Entry* is guaranteed to occur within one period of the programmed ringing frequency. *Ring Exit* is an analogous procedure whereby the ringing signal is not immediately removed from the line after a ring trip or new state request. The ringing signal will persist until its voltage is equal to the required line voltage. Ring Entry and Ring Exit are configured using the *VP-API-II* function `VP_OPTION_ID_RING_CNTRL`.

While in the `VP_LINE_RINGING` state, the integrated switching regulator must be programmed for ABS mode. Note that these three topologies require different external switching power supply components. See [“Device Profile” on page 69](#) for information on setting the switcher topology.

9.6.8 VP_LINE_HOWLER

In the `VP_LINE_HOWLER` state, the transmit (A to D) voice path and impedance generation are disabled. Gain is increased by 11.5 dB compared to a 0 dBr D/A setting.

9.7 Line Status Monitoring

Line Status is monitored by the *VP-API-II* using the functions listed in [Table 13](#).

Function Name	Description
<code>VpGetEvent()</code>	Typically used to implement event driven method to monitor line status. Provides event queue such that a single event reported for each instance function is called (when an event is active).
<code>VpGetLineStatus()</code>	Typically used to implement polling method to monitor line status.
	<ul style="list-style-type: none"> <code>VP_INPUT_HOOK</code> -- Hook Status timing per Dial Pulse Detection.
	<ul style="list-style-type: none"> <code>VP_INPUT_RAW_HOOK</code> -- Real time hook status. Changes during Dial Pulse <code>VP_INPUT_GKEY</code> -- Real time ground key status.

Table 13 - VP-API-II Functions for Line Status Monitoring

9.8 Input / Output Control

The ZL88601/602 device features four general purpose I/O pins that can be configured by the user as inputs, outputs, or relay drivers. All I/O pins are configured and accessed through the *VP-API-II* using the functions listed in [Table 14](#)

Function Name	Description
VpSetOption()	<p>VP_DEVICE_OPTION_ID_DEVICE_IO - Used to configure pins individually as input, output, or as a voltage sense pin. The parameter <i>directionPins_31_0</i> used to set pin as input (0) or output (1). The bit in <i>directionPins_31_0</i> corresponding to I/O is (I/O₁ = 0x1, I/O₂ = 0x2, I/O₂₁ = 0x4, and IO₂₂ = 0x8). Other bits in <i>directionPins_31_0</i> are ignored.</p> <p>Configuring output type done by setting corresponding bit location in <i>outputTypePins_31_0</i> with VP_OUTPUT_DRIVEN_PIN (driven). Note that when writing a '1' to a driven pin results in voltage being present on the corresponding I/O pin.</p>
VpGetOption()	<p>VP_DEVICE_OPTION_ID_DEVICE_IO - Retrieves current I/O pin configuration. When calling VpGetOption(), an event (Response Category, Event ID VP_LINE_EVID_RD_OPTION) is generated and must be processed by the host application. The host application then calls VpGetResults() with pointer to structure of type VpOptionDeviceIoType that is filled in by VP-API-II with current I/O configuration data.</p>
VpDeviceIoAccess()	<p>The <i>accessMask_31_0</i> parameter provides bit field access to the I/O pins as (I/O₁ = 0x1, I/O₂ = 0x2, I/O₂₁ = 0x4, and IO₂₂ = 0x8). Access is by 'OR' combination, so <i>accessMask_31_0</i> = 0x0F provides access to all lines simultaneously.</p> <p>The <i>accessType</i> parameter indicates read (VP_DEVICE_IO_READ) or write (VP_DEVICE_IO_WRITE) operation.</p> <p>For write operation, <i>deviceIOData_31_0</i> is used to set lines to '0' or '1'. The bit mask is same as <i>accessMask_31_0</i> (I/O₁ is set to value in <i>deviceIOData_31_0</i> location 0x1, I/O₂ in <i>deviceIOData_31_0</i> location 0x2, and so on). All other parameters (<i>accessMask_63_32</i> and <i>deviceIOData_63_32</i>) are ignored for the ZL88601/602)</p>

Table 14 - VP-API-II Functions for Configuring and Accessing I/O Lines

10.0 VP-API-II Profiles

Profiles are structures that contain design data to meet specific system requirements. Many *VP-API-II* functions take *Profiles* as one or more arguments. There are several types of *Profiles*. Each defines a different set of parameters for a service aspect of the device. [Table 15](#) provides a summary of all the *Profiles* that are used by the *VP-API-II* with the ZL88601/602 device. *Profiles* are created using *VP Profile Wizard*.

Profile Name	Description
Device	The <i>Device Profile</i> provides default start-up values for device-specific configuration options that are normally set at initialization and never changed. These options include the Pulse Code Modulation (PCM) bus clock frequency and configuration information, interrupt mode, voltage monitoring mode, dial pulse correction, device mode register, and switching regulator configuration. The <i>ZL880 Device Profile</i> is not compatible with the version used in the <i>VE880</i> due to the added features.
AC FXS	Used for programming the transmission characteristics of the system, the <i>AC FXS Profile</i> holds the programmable gain and filter coefficient data. Over 70 country-specific <i>AC FXS Profiles</i> are provided and the user can select the one or ones that are required for his or her application. The <i>ZL880 AC FXS Profile</i> is compatible with the <i>VE880 AC Profile</i> .
DC	The <i>DC Profile</i> holds the DC feed and loop supervision parameters. The <i>ZL880 DC Profile</i> is not compatible with the <i>VE880 DC Profile</i> due to the added features.
Ringing	The <i>Ringing Profile</i> contains the necessary commands and data to set up the ring generator of an FXS channel. Different <i>Profiles</i> can be used to vary the ringing characteristics of a line. Options available in the <i>Ringing Profile</i> include ringing waveform, frequency, amplitude, DC offset, ring trip method, maximum peak power, and ring cadence control. The <i>ZL880 Ringing Profile</i> is not compatible with the <i>VE880 Ringing Profile</i> due to the added features.
Tone	The <i>Tone Profile</i> defines the various call progress tones that might be used in the FXS channel. The tones include dial tone, busy, ring-back, re-order, and howler. This <i>Profile</i> is compatible with the one used with the <i>VE880</i> family.
Ringing Cadence	The <i>Ringing Cadence Profile</i> defines the cadence that is associated with ringing. This <i>Profile</i> is compatible with the one used with the <i>VE880</i> family.
Tone Cadence	The <i>Tone Cadence Profile</i> defines the various call progress cadences that might be used in a system. The cadences include stutter dial, busy, ring-back, and reorder. This <i>Profile</i> is compatible with the one used with the <i>VE880</i> family.
Caller ID	The <i>Caller ID Profile</i> defines the on- and off-hook signal generation for services such as Caller ID and message waiting indication. This <i>Profile</i> abstracts the physical and data link layers of the protocol. FSK and DTMF signaling are supported. This <i>Profile</i> is compatible with the one used with the <i>VE880</i> family.
Metering	The <i>Metering Profile</i> sets the frequency (12- or 16-kHz), transition type, peak current, and echo voltage limits. This <i>Profile</i> is not compatible with the one used with the <i>VE880</i> family due to added parameters.

Table 15 - VP-API-II Profile Types

10.1 Profile Wizard Project Definition

The *Profile Wizard* application allows the user to define the requirements of the telephone line characteristics, switching and signaling with an intuitive user interface. After selecting the requirements, the user can generate the corresponding *Profiles* (.c and .h files) which the *VP-API-II* software uses to initialize and control the ZL88601/602 device. Microsemi provides many example *Profiles* based on known country or standard requirements.

After launching *Profile Wizard*, it presents the user with the option of creating a new project based on a Microsemi telephony device family or evaluation board or to open an existing project. [Figure 43](#) shows a typical screen shot for getting started and creating a new project

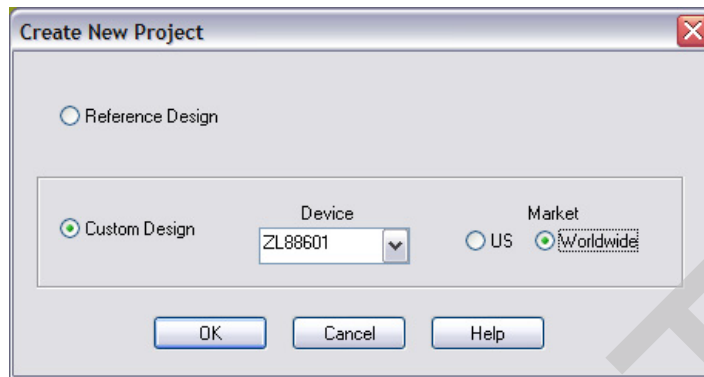


Figure 43 - Profile Wizard Screen - Creating a New Project

10.2 Profile Wizard Main Menu

[Figure 44](#) shows a typical screen shot of the main menu of *Profile Wizard*. Note that the user can select from many standard country *Profiles*. In this example, the default files for Australia are selected.

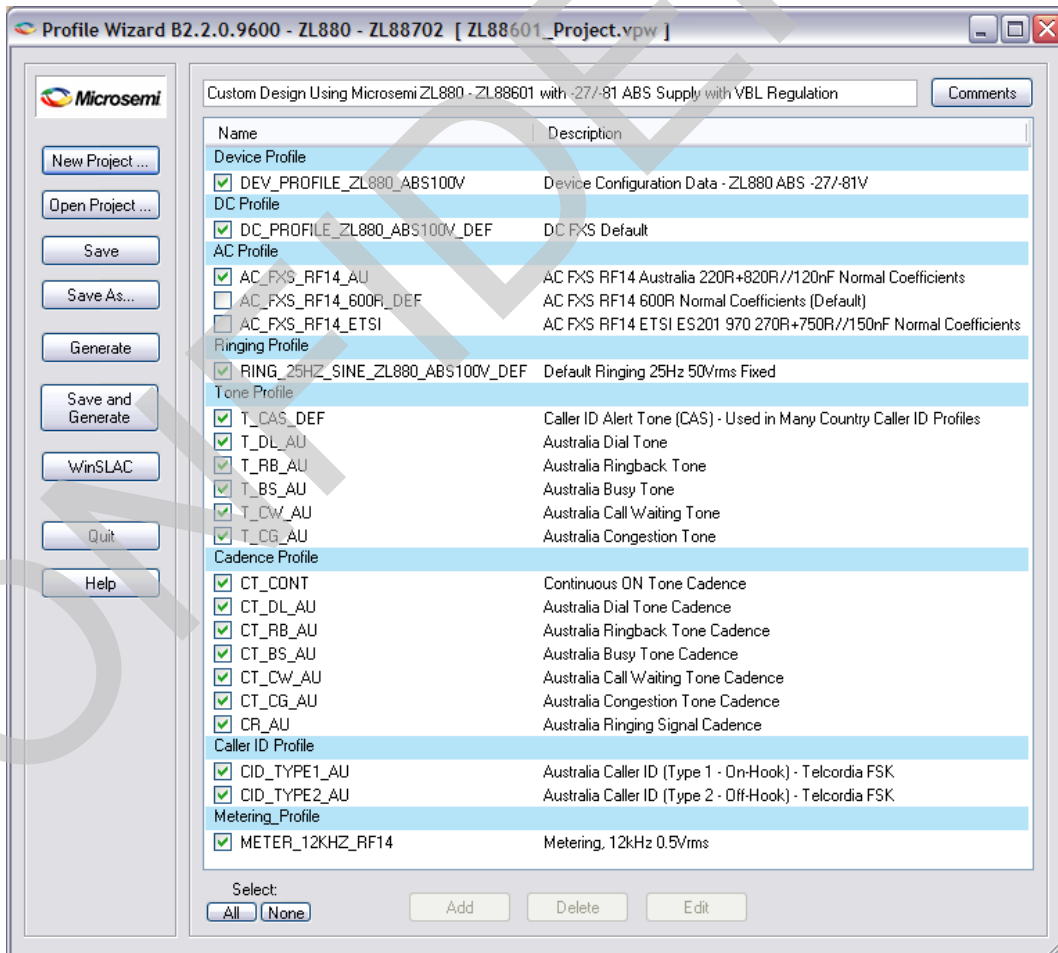


Figure 44 - Profile Wizard - Main Menu

10.3 Device Profile

10.3.1 Overview

The *Device Profile* configures device or circuit level parameters for the entire device. This *Profile* is required to enable reliable host communication with the device, to configure the switching regulator, and to define *VP-API-II* driver parameters. An example *Device Profile* configuration for the ZL880 using *VP Profile Wizard* is shown below.

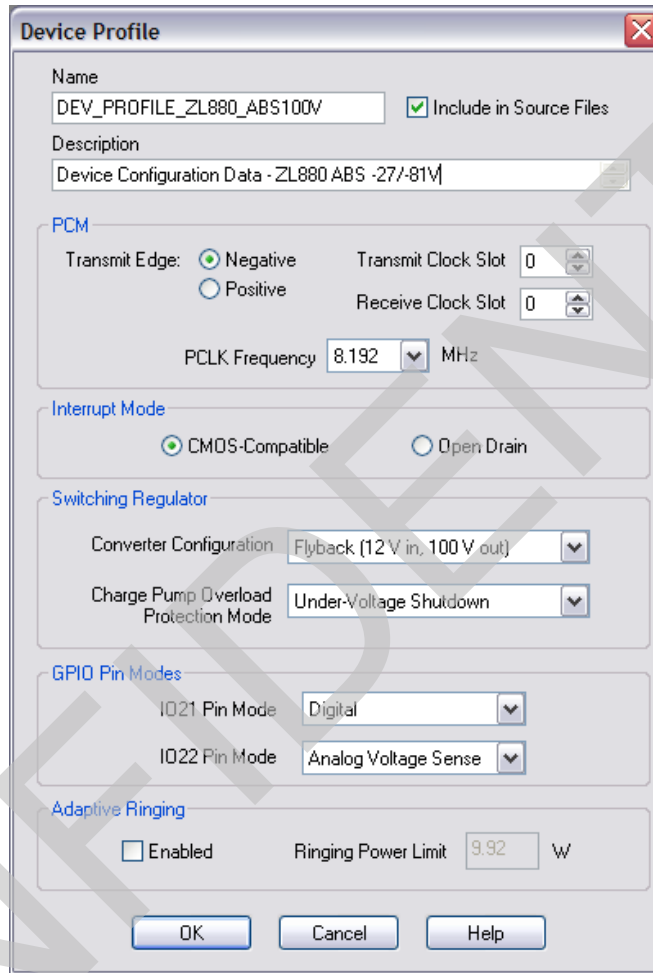


Figure 45 - Profile Wizard - Device Profile Configuration

[Table 16](#) lists the *VP-API-II* functions which use values that are defined in the *Device Profile*.

Function Name	Description
VpInitDevice ()	Resets and initializes device with parameters defined in <i>Device Profile</i> and optionally configures all lines on the device with AC, DC, and Ringing parameters.
VpCalLine ()	This function may need to be called under some circumstances following the above function. Refer to the <i>ZL880 VP-API-II Reference Guide</i> for more details.

Table 16 - VP-API-II Functions for Device Configuration

10.4 AC FXS Profiles

AC FXS Profiles are used to define the input impedance, receive and transmit frequency response, hybrid balance, and initial gain values. Microsemi provides AC FXS Profile examples for over 70 countries including the following:

Input Impedance	Network Balance Impedance	Notes
150 Ω + (510 Ω // 47 nF)	150 Ω + (510 Ω // 47 nF)	Russia
200 Ω + (680 Ω // 100 nF)	200 Ω + (680 Ω // 100 nF)	China
220 Ω + (820 Ω // 115 nF)	220 Ω + (820 Ω // 115 nF)	Bulgaria, Germany, and South Africa
220 Ω + (820 Ω // 120 nF)	220 Ω + (820 Ω // 120 nF)	Australia
270 Ω + (750 Ω // 150 nF)	270 Ω + (750 Ω // 150 nF)	Belgium, Croatia, Denmark, Egypt, Estonia, France, Greece, Hungary, Iceland, Ireland, Israel, Italy, Ivory Coast, Netherlands, Nigeria, Norway, Portugal, Romania, Spain, Sweden, Switzerland, and Turkey
270 Ω + (910 Ω // 120 nF)	270 Ω + (1200 Ω // 120 nF)	Finland
370 Ω + (620 Ω // 310 nF)	370 Ω + (620 Ω // 310 nF)	New Zealand
300 Ω + (1000 Ω // 220 nF)	370 Ω + (620 Ω // 310 nF)	United Kingdom
600 Ω	600 Ω	USA, Argentina, Armenia, Belarus, Canada, Chile, Colombia, Czech Republic, Ecuador, El Salvador, Georgia, Hong Kong, India, Indonesia, Jordan, Korea, Kuwait, Malaysia, Mexico, Pakistan, Paraguay, Peru, Philippines, Poland, Qatar, Saudi Arabia, Singapore, South Korea, Taiwan, Thailand, Ukraine, UAE, Uruguay, and Venezuela.
600 Ω + 1.0 μF	600 Ω + 1.0 μF	Japan and PBX
900 Ω	900 Ω	Brazil
900 Ω + 2.16 μF	800 Ω // (0.05 μF + 100 Ω)	Telcordia GR-57-CORE Non-Loaded Loop

Table 17 - Supported AC Source Impedances

Notes:

1. [Table 17](#) provides suggested AC source impedances for the listed countries and are believed to be accurate as of the date of publication of this document. However, standards can and do change from time to time or new ones may be introduced. Some countries may support more than one standard AC source impedance. Customers are responsible for using the appropriate AC FXS Profiles for their application.
2. VP Profile Wizard makes it easy to add additional countries as long as they are based on the supported impedances.
3. The standard files provided with VP Profile Wizard are for FXS interfaces with two 7-ohm PTC's in series with Tip and Ring. Please contact Microsemi CMPG Customer Applications if alternate series resistor or PTC resistance values are planned.
4. Narrowband and Wideband versions of these Profiles are available.

[Table 18](#) below lists the VP-API-II functions that which use values that are defined in the AC FXS Profile.

Function Name	Description
VpInitDevice()	Resets and initializes device with parameters defined in <i>Device Profile</i> and optionally configures all lines on the device with AC, DC, and Ringing parameters.
VpInitLine()	Resets and initializes line with AC, DC, and Ringing parameters.
VpConfigLine()	Configures line with AC, DC, and Ringing parameters. Similar to VpInitLine() but line is not reset. Values not provided in function call result in line retaining previously set parameters.
VpCallLine()	This function may need to be called under some circumstances following the functions listed above. Refer to the <i>ZL880 VP-API-II Reference Guide</i> for more details.

Table 18 - VP-API-II Functions Using AC FXS Profile

10.5 DC Profile

DC Profiles are used to define the feed and loop supervision conditions of the line. An example DC Profile for ZL880 devices using VP Profile Wizard is shown in Figure 46 below.

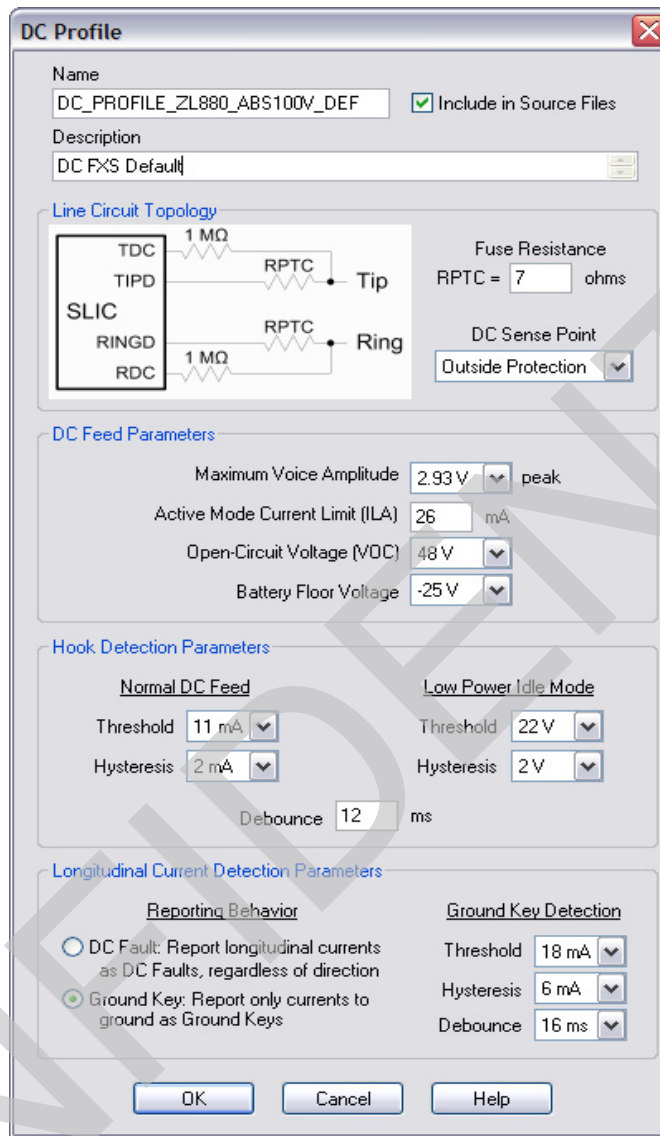


Figure 46 - Profile Wizard - DC Profile Configuration Example

Table 19 lists the VP-API-II functions which use values that are defined in the DC Profile.

Function Name	Description
VpInitDevice()	Resets and initializes device with parameters defined in Device Profile and optionally configures all lines on the device with AC, DC, and Ringing parameters.
VpInitLine()	Resets and initializes line with AC, DC, and Ringing parameters.
VpConfigLine()	Configures line with AC, DC, and Ringing parameters. Similar to VpInitLine() but line is not reset. Values not provided in function call result in line retaining previously set parameters.
VpCalLine()	This function may need to be called under some circumstances following the functions listed above. Refer to the ZL880 VP-API-II Reference Guide for more details.

Table 19 - VP-API-II Functions for DC Feed and Hook Detection Configuration

10.6 Ringing Profile

The *Ringing Profile* is used to define the type of ringing, ringing frequency, amplitude, offset, ring trip threshold, and ringing current limit. The *Ringing Profile* for the ZL88601/602 using *VP Profile Wizard* is shown in [Figure 47](#) below.

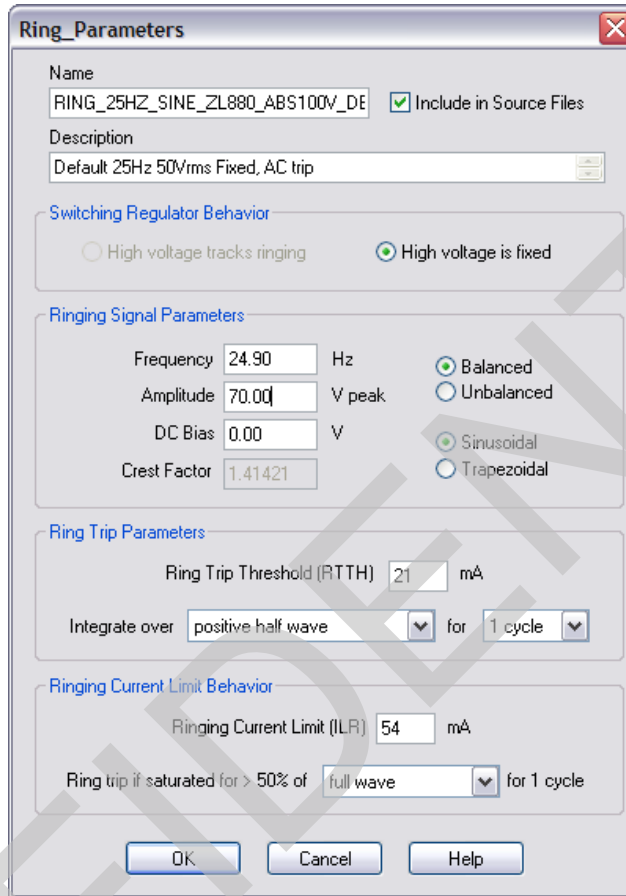


Figure 47 - Profile Wizard - Ringing Profile Configuration Example

[Table 20](#) lists the *VP-API-II* functions which use values that are defined in the *Ringing Profile*.

Function Name	Description
VpInitDevice()	Resets and initializes device with parameters defined in <i>Device Profile</i> and optionally configures all lines on the device with AC, DC, and Ringing parameters.
VpInitLine()	Resets and initializes line with AC, DC, and Ringing parameters.
VpConfigLine()	Configures line with AC, DC, and Ringing parameters. Similar to VpInitLine() but line is not reset. Values not provided in function call result in line retaining previously set parameters.
VpCallLine()	This function may need to be called under some circumstances following the functions listed above. Refer to the <i>ZL880 VP-API-II Reference Guide</i> for more details.

Table 20 - VP-API-II Functions for Ringing and Ring Trip Definition

10.7 Tone Profile

Tone Profiles provide the capability to program up to four simultaneous tones on the line. The *Tone Profile* for the ZL88601/602 using *VP Profile Wizard* is shown in [Figure 48](#) below.

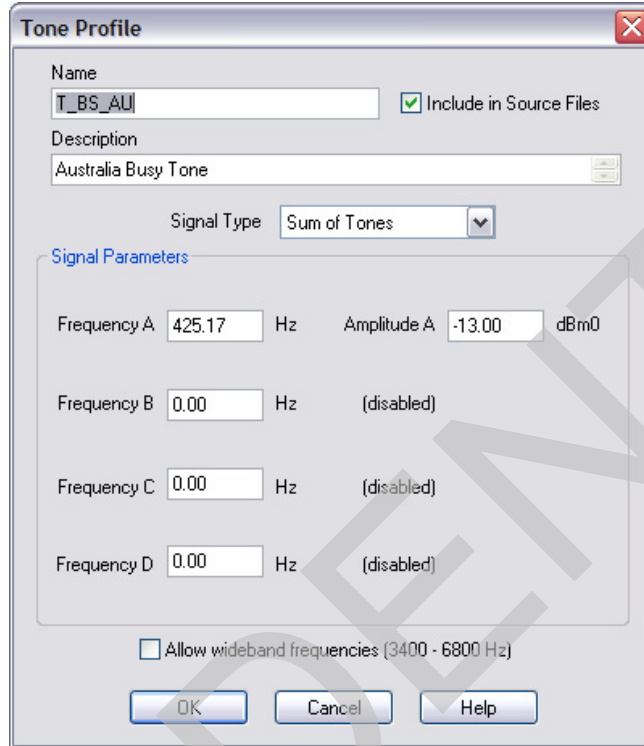


Figure 48 - Profile Wizard - Tone Profile Configuration Example

[Table 21](#) lists the *VP-API-II* function which uses values that are defined in the *Tone Profile*.

Function Name	Description
VpSetLineTone()	Starts a tone on the line. The tone can be cadenced or “always on”.

Table 21 - VP-API-II Function Using Tone Profile

10.8 Tone Cadence Profile

VP-API-II Tone Cadencing is a highly flexible set of operators the user selects to implement any country-specific ringing or tone cadence requirements including Special Information Tones (SIT) and howler tones. [Figure 49](#) shows how to define cadences for call progress tones with *VP Profile Wizard*.

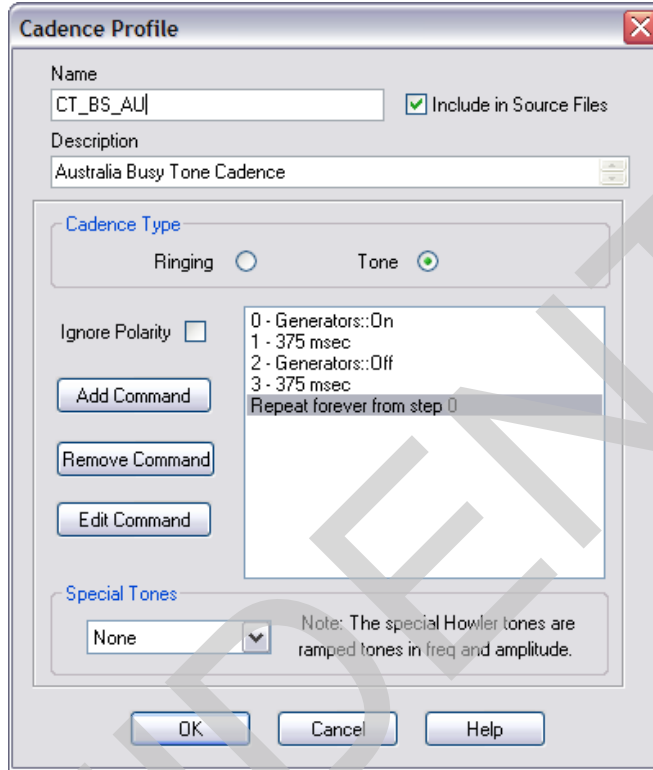


Figure 49 - Profile Wizard - Tone Cadence Profile Example

The *VP-API-II* Cadencer supports the following operations:

1. Time -- Delays (in a non-blocking fashion) program execution.
2. Generator Control -- Enable/Disable selection on a per-generator basis.
3. Branch -- Forces the cadencing to return to a previous step with "repeat" for *n* number of times. If *n* == 0, repeat forever.
4. Line State -- Sets line to specific *VP-API-II* line state.

[Table 22](#) lists the *VP-API-II* function which uses values that are defined in the *Tone Cadence Profile*.

Function Name	Description
VpSetLineTone ()	Provides tone cadencing for up to four tones. Also supports country-specific howler tone cadencing (AUS, UK, NTT) with ramp frequency and amplitude.

Table 22 - VP-API-II Function For Tone Cadencing

10.9 Ringing Cadence Profile

VP-API-II ringing cadencing is a flexible set of operators the user selects to implement any country-specific ringing cadence. [Figure 50](#) shows how to define cadences for ringing generation with *VP Profile Wizard*. Note that events that are associated with Type 1 (on-hook) Caller ID ringing are included by this Profile.

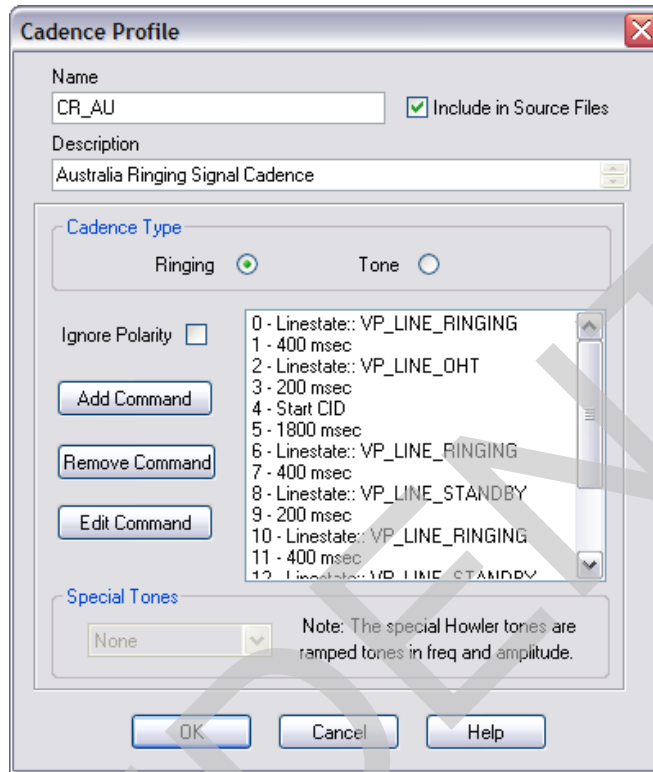


Figure 50 - Profile Wizard - Ringing Cadence Profile Example

The VP-API-II Cadencer supports the following operations:

1. Time -- Delays (in a non-blocking fashion) program execution.
2. Generator Control -- Enable/Disable selection on a per-generator basis.
3. Branch -- Forces the cadencing to return to a previous step with "repeat" for *n* number of times. If *n* == 0, repeat forever.
4. Line State -- Sets line to specific VP-API-II Line State.
5. Send CID -- Starts Caller ID (CID) on the line while continuing to run cadence. Used for Type 1 Caller ID when CID occurs after first regular ringing cycle in order to achieve a precise delay between the first and second rings.
6. Wait On Caller ID -- Starts Caller ID on the line and suspends currently running cadence. Used for Type 1 Caller ID when CID occurs prior to the first regular ringing cycle.

[Table 23](#) lists the VP-API-II functions which use values that are defined in the *Ringing Cadence Profile*.

Function Name	Description
VpSetLineState()	VP_LINE_RINGING and VP_LINE_RINGING_POLREV for Ringing Cadence.
VpInitRing()	User function to provide Ringing Cadence. Also allows use selection of <i>Caller ID Profile</i> associated with ringing.

Table 23 - VP-API-II Functions For Ringing Cadencing

10.10 Caller ID Profile

The Caller ID block uses Generators C and D to generate phase-continuous 1200 baud FSK tones for on- or off-hook information such as Calling Line ID (or Caller ID) and Visual Message Waiting Indication (VMWI). The duration of each (bit) tone is fixed at 0.833 ms (1200 baud).

Bell 202 tone frequencies are used in the North American and some international markets, and the *ITU-T Recommendation V.23* tone frequencies are used in most of Europe and other international markets. The signal generator amplitude may need to be adjusted depending on the programmed loss plan. Data transmission levels are normally specified as -13.5 dBm +/-1.5 dB.

Exact preamble and mark sequences are generated by adjusting the framing mode and sending the appropriate number of characters. The *VP-API-II* abstracts this into a simple driver level interface. *VP Profile Wizard* enables the user to select the Caller ID parameters and build them into the *Caller ID Profile*, which generates the necessary coefficients and instructions for the *VP-API-II*. Note that the signal level in the example below is -7.5 dBm0, which corresponds to a transmitted signal of -13.5 dBm0 to the line due to the 6 dB D/A loss in the default *AC Profile*.

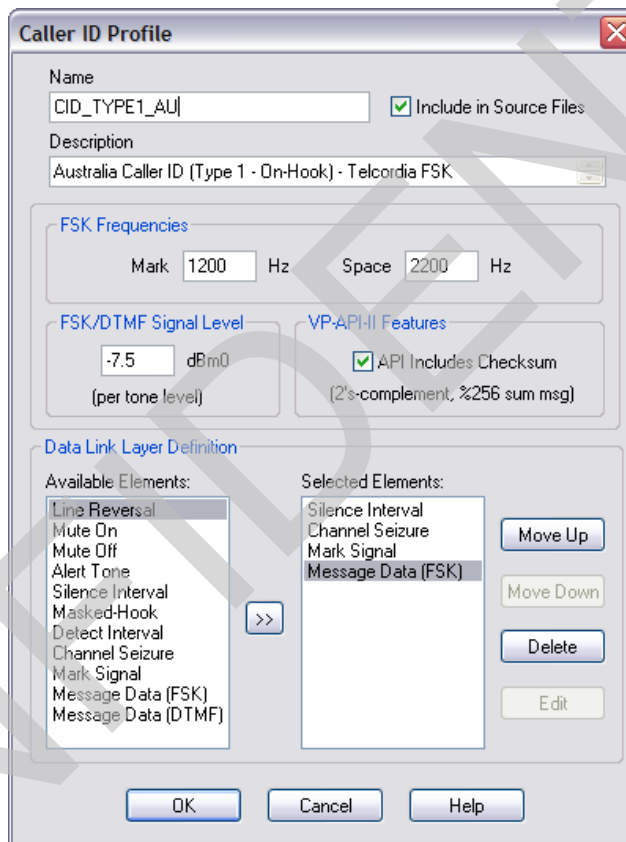


Figure 51 - Profile Wizard - Type 1 Caller ID Profile Example

[Table 24](#) lists the *VP-API-II* functions which use values that are defined in the *Caller ID Profile*.

Function Name	Description
VpInitRing()	User function to provide <i>Caller ID Profile</i> associated with ringing.
VpSendCid()	Configures and starts Caller ID immediately. Used for Type 2 Caller ID.
VpInitCid()	Input for Caller ID Message Data up to 32 bytes.
VpContinueCid()	Input for Caller ID Message Data up to 16 bytes. Called after VpInitCid() or VpSendCid() when event VP_LINE_EVID_CID_DATA is generated.

Table 24 - VP-API-II Functions for Caller ID

10.11 Metering Profile

The *Metering Profile* allows the user to define the pulse metering frequency (12 or 16 kHz), peak current, and voltage limit. [Figure 52](#) shows an example screen shot of the *Metering Profile* definition in *VP Profile Wizard*.

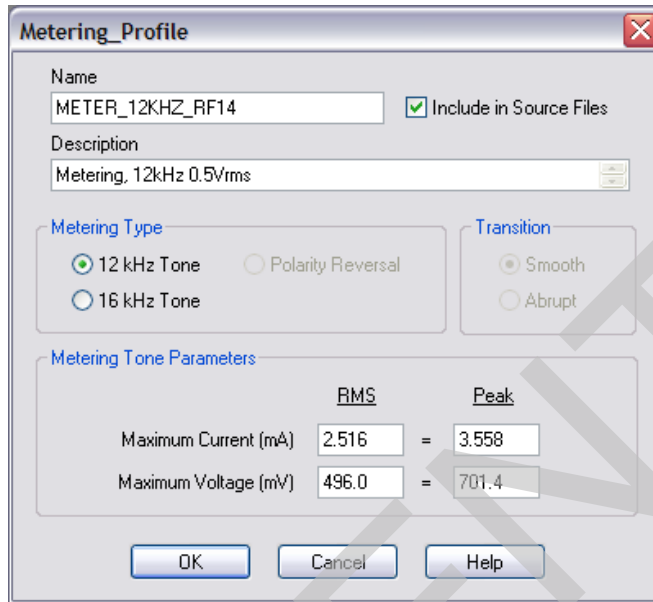


Figure 52 - Profile Wizard - Metering Profile Example

[Table 25](#) lists the *VP-API-II* functions which use values that are defined in the *Metering Profile*.

Function Name	Description
VpInitMeter ()	Configures the metering signal generator of an individual line.
VpStartMeter ()	Starts metering pulses.

Table 25 - VP-API-II Functions for Metering

11.0 Package Outline

The package outline and recommended land pattern of the ZL88601/602 Dual Channel Wideband Auto Battery Switching (ABS) VoicePort Device are described in this section.

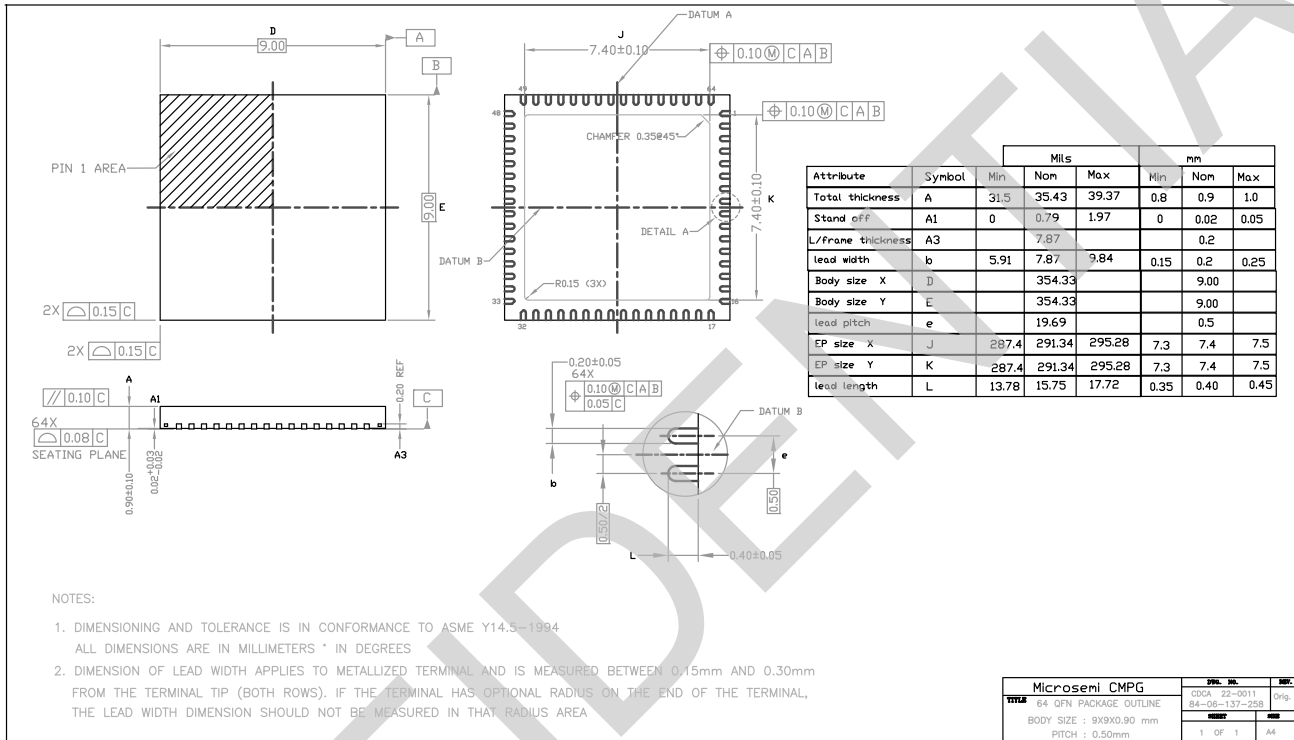


Figure 53 - ZL88601/602 (QFN-64) Package Drawing

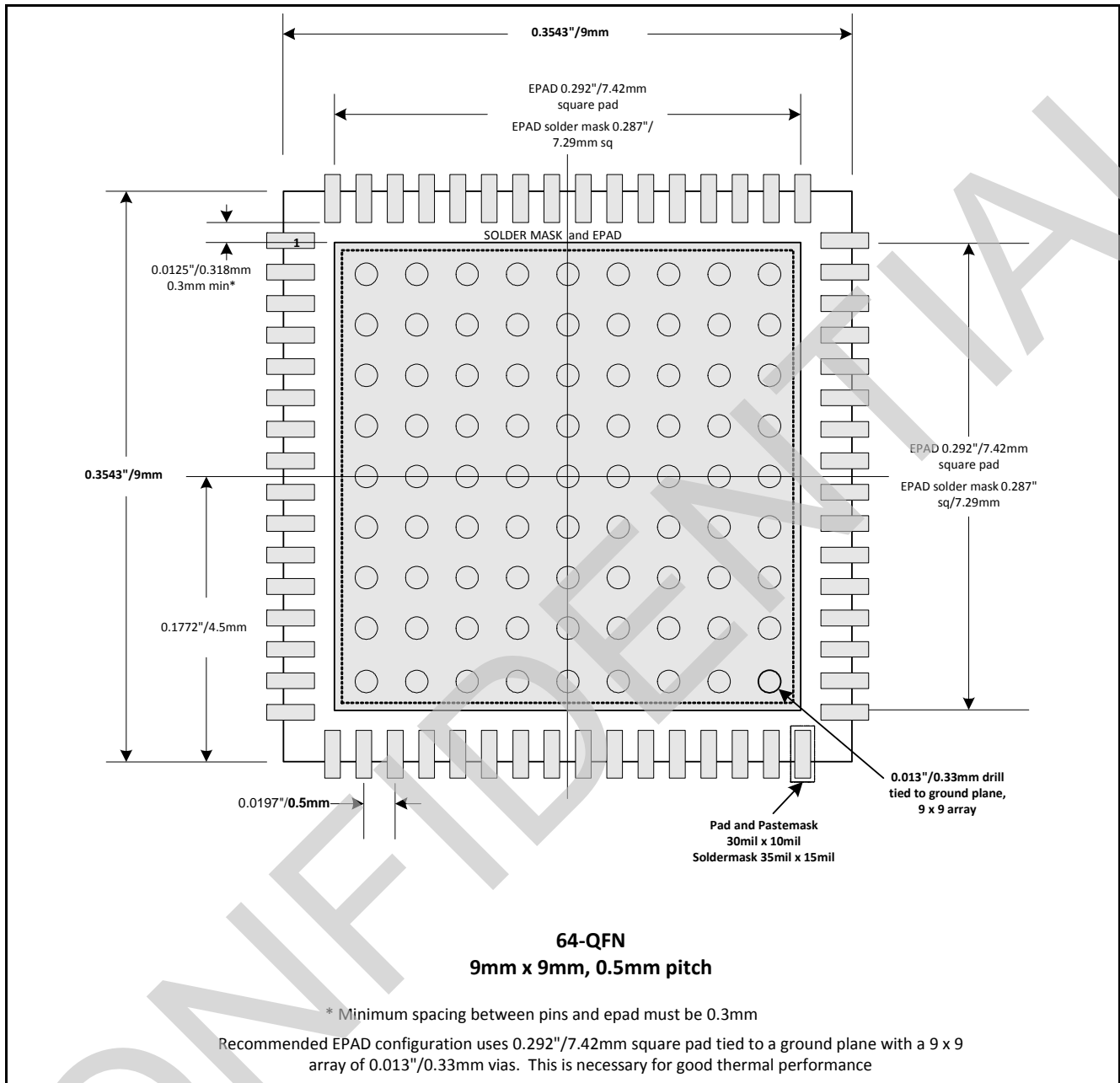


Figure 54 - Recommended Land Pattern (QFN-64) - Top View

12.0 Related Collateral

12.1 Documentation

- **ZL880 VP-API-II Reference Guide**
 - Document ID#: 143271
- **VeriVoice Line Test API (LT-API) User's Guide**
 - Document ID#: 081470
- **VeriVoice Manufacturing Test Package Reference Guide**
 - Document ID#: 141005
- **ZLR88611L TID Module Reference Design User Guide**
 - Document ID#: 144651
- **ZLR88621L Line Module Reference Design User Guide**
 - Document ID#: 143251
- **ZLR88641L Line Module Reference Design User Guide**
 - Document ID#: 144310

12.2 Development Hardware

- **Intel Telephony Interface Daughtercard - OPN: ZLR88611L**
 - The *ZLR88611L Telephony Interface Daughtercard (TID)* features one *ZL88601 Dual Channel Wideband ABS VoicePort* device and a shared ABS flyback switching supply capable of generating up to $71-V_{PK}$ ringing on each line and 5 REN drive capability. The TID mates with reference and development platforms for the *Intel® PUMA™* family of cable chipsets.
- **SM2 Evaluation Module - OPN: ZLR88621L**
 - The *ZLR88621L Evaluation Module* features one *ZL88601 Dual Channel Wideband ABS VoicePort* device and a shared ABS flyback switching supply capable of generating up to $71-V_{PK}$ ringing on each line and 5 REN drive capability. This module plugs into the into the *SM2* receptacle on the *ZTAP* platform.
- **Broadcom Evaluation Module - OPN: ZLR88641L**
 - The *ZLR88641L Evaluation Module* features one *ZL88601 Dual Channel Wideband ABS VoicePort* device and a shared ABS flyback switching supply capable of generating up to $71-V_{PK}$ ringing on each line and 5 REN drive capability. This module plugs into the into the *Broadcom® ADSL2+/VDSL2 Reference Platforms*.

12.3 Development Software

- **VoicePath API-II - OPN: Le71SK0002**
 - The *VP-API-II* is a set of C source used by the host application to interface to the *VE880*, *VE890*, and *ZL880 Series* and other Microsemi voice product families. A signed Software License Agreement (SLA) is required.
- **VoicePath API-II Lite - OPN: Le71SDKAPIL**
 - The *VP-API-II Lite* is identical to *VP-API-II*, with reduced functionality. *VP-API-II Lite* does not support tone or ringing cadencing, Caller ID, or Metering signal generation. This software is available without an SLA.

- **VoicePath Profile Wizard - OPN: Le71SDKPRO**

- The *VP Profile Wizard* is a *Microsoft Windows* GUI application that aids in the organization and creation of country *Profiles* used in the *VP-API-II* into a single project file.

CONFIDENTIAL

Information relating to products and services furnished herein by Microsemi Corporation or its subsidiaries (collectively "Microsemi") is believed to be reliable. However, Microsemi assumes no liability for errors that may appear in this publication, or for liability otherwise arising from the application or use of any such information, product or service or for any infringement of patents or other intellectual property rights owned by third parties which may result from such application or use. Neither the supply of such information or purchase of product or service conveys any license, either express or implied, under patents or other intellectual property rights owned by Microsemi or licensed from third parties by Microsemi, whatsoever. Purchasers of products are also hereby notified that the use of product in certain ways or in combination with Microsemi, or non-Microsemi furnished goods or services may infringe patents or other intellectual property rights owned by Microsemi.

This publication is issued to provide information only and (unless agreed by Microsemi in writing) may not be used, applied or reproduced for any purpose nor form part of any order or contract nor to be regarded as a representation relating to the products or services concerned. The products, their specifications, services and other information appearing in this publication are subject to change by Microsemi without notice. No warranty or guarantee express or implied is made regarding the capability, performance or suitability of any product or service. Information concerning possible methods of use is provided as a guide only and does not constitute any guarantee that such methods of use will be satisfactory in a specific piece of equipment. It is the user's responsibility to fully determine the performance and suitability of any equipment using such information and to ensure that any publication or data used is up to date and has not been superseded. Manufacturing does not necessarily include testing of all functions or parameters. These products are not suitable for use in any medical and other products whose failure to perform may result in significant injury or death to the user. All products and materials are sold and services provided subject to Microsemi's conditions of sale which are available on request.

**For more information about all Microsemi products
visit our website at
www.microsemi.com**

TECHNICAL DOCUMENTATION – NOT FOR RESALE



Microsemi

Microsemi Corporate Headquarters
One Enterprise, Aliso Viejo CA 92656 USA
Within the USA: +1 (949) 380-6100
Sales: +1 (949) 380-6136
Fax: +1 (949) 215-4996

Microsemi Corporation (NASDAQ: MSCC) offers a comprehensive portfolio of semiconductor solutions for: aerospace, defense and security; enterprise and communications; and industrial and alternative energy markets. Products include mixed-signal ICs, SoCs, and ASICs; programmable logic solutions; power management products; timing and voice processing devices; RF solutions; discrete components; and systems. Microsemi is headquartered in Aliso Viejo, Calif. Learn more at www.microsemi.com.

© 2013 Microsemi Corporation. All rights reserved. Microsemi and the Microsemi logo are trademarks of Microsemi Corporation. All other trademarks and service marks are the property of their respective owners.

X-ON Electronics

Largest Supplier of Electrical and Electronic Components

Click to view similar products for [Telecom Interface ICs](#) category:

Click to view products by [Microchip](#) manufacturer:

Other Similar products are found below :

[MT8888CP1](#) [MT88E45BS1](#) [MT9174AN1](#) [MT88E39ASR1](#) [MT9074AL1](#) [MT9122AP1](#) [PEB4266TV12 S LL62](#) [DS3150TNC1+](#)
[DS26334GN+](#) [MT88E46AS1](#) [MT8963AE1](#) [DS26324GNA3+](#) [PM4351-RI](#) [PEF41068FV11 S LL8T](#) [PEF41068VV12 S LL8U](#)
[LE58QL022BVC](#) [LE58QL022BVCT](#) [LE88286DLC](#) [LE88276DLCT](#) [LE79252BTC](#) [RTL8019AS](#) [W7100A-S2E-100LQFP](#) [M100EVO-LITE](#)
[HE910NAR206T701](#) [XRT86VL38IB](#) [CMX631AD4](#) [XD8870](#) [82P2284BBG](#) [82V2084PFG](#) [CPC5620A](#) [CPC5620ATR](#) [CPC5621A](#)
[CPC5621ATR](#) [CPC5622A](#) [CPC5622ATR](#) [DS21455+](#) [DS21348G+](#) [DS2148TN+](#) [CMX673E3](#) [LE88506DVC](#) [MT88E39AS1](#) [LE89810BSCT](#)
[LE89810BSC](#) [CMX673D4](#) [CMX683D4](#) [CMX602BD4](#) [MT8967AS1](#) [HC55185AIMZ](#) [MT8952BP1](#) [DS3150QN+](#)