

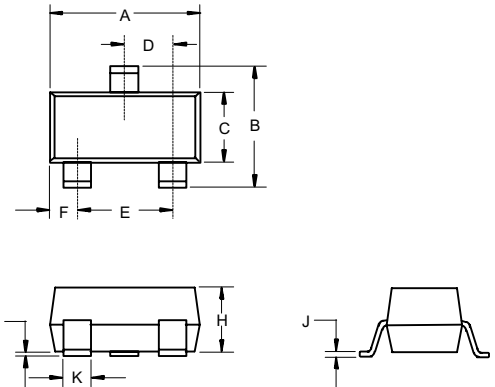


Micro Commercial Components
 20736 Marilla Street Chatsworth
 Chatsworth, CA 91311
 Phone: (818) 701-4933
 Fax: (818) 701-4939

ESDLC5V0T2

5Volts ESD Protection Devices

SOT-23



Features

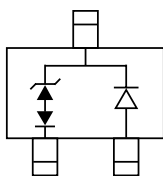
- Halogen free available upon request by adding suffix "-HF"
- For sensitive ESD protection
- Stand-off Voltage:5V
- Low leakage
- Low clamping voltage
- 500W peak pulse power (tp=8/20us)
- Lead Free Finish/RoHS Compliant ("P" Suffix designates RoHS Compliant. See ordering information)
- Epoxy meets UL 94 V-0 flammability rating
- Moisture Sensitivity Level 1

Maximum Ratings

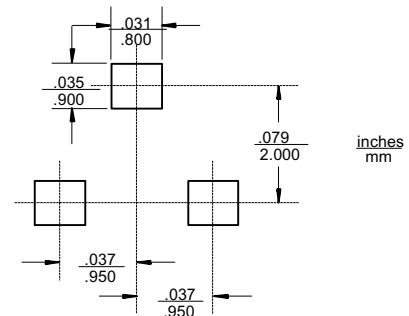
- Operating Junction Temperature: -55°C to +125°C
- Storage Temperature: -55°C to +125°C

Parameter	Symbol	Limits	unit
IEC61000-4-2(ESD) Air Contact		± 15 ± 8	KV
IEC61000-4-5(lightning)		24	A
Peak Pulse Power	Pd	500	W

Pin Configuration-Top View



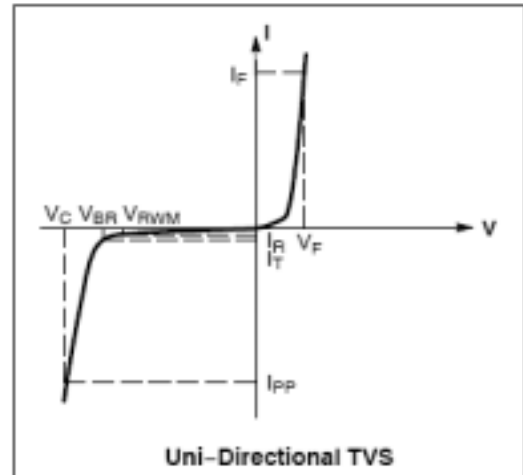
DIM	INCHES		MM		NOTE
	MIN	MAX	MIN	MAX	
A	.110	.120	2.80	3.04	
B	.083	.104	2.10	2.64	
C	.047	.055	1.20	1.40	
D	.035	.041	.89	1.03	
E	.070	.081	1.78	2.05	
F	.018	.024	.45	.60	
G	.0005	.0039	.013	.100	
H	.035	.044	.89	1.12	
J	.003	.007	.085	.180	
K	.015	.020	.37	.51	



ELECTRICAL CHARACTERISTICS ($T_A = 25^\circ\text{C}$ unless otherwise noted)

UNIDIRECTIONAL (Circuit tied to Pins 1 and 3 or 2 and 3)

Symbol	Parameter
I_{PP}	Maximum Reverse Peak Pulse Current
V_C	Clamping Voltage @ I_{PP}
V_{RWM}	Working Peak Reverse Voltage
I_R	Maximum Reverse Leakage Current @ V_{RWM}
V_{BR}	Breakdown Voltage @ I_T
I_T	Test Current
I_F	Forward Current
V_F	Forward Voltage @ I_F
P_{pk}	Peak Power Dissipation
C	Capacitance @ $V_R=0$ and $f=1\text{MHz}$



ELECTRICAL CHARACTERISTICS ($T_A = 25^\circ\text{C}$ unless otherwise noted, $V_F = 0.9\text{ V Max.}$ @ $I_F = 10\text{mA}$ for all types)

Device	V_{RWM} (V)	I_R (μA) @ V_{RWM}	V_{BR} (V) @ I_T (Note 2)		I_T	V_C @ $I_{PP}=1\text{ A}$	V_C @ $I_{PP}=5\text{A}$	P_{pk}^+ (W)	C (pF) Pin 1 to 3
	Max	Max	Min	Max	mA	V	V	Max	Typ
ESDLC5V0T2	5	0.5	6.2	7.2	1.0	8	10	500	3.0

V_{BR} is measured with a pulse test current I_T at an ambient temperature of 25°C .



Micro Commercial Components

TYPICAL CHARACTERISTICS

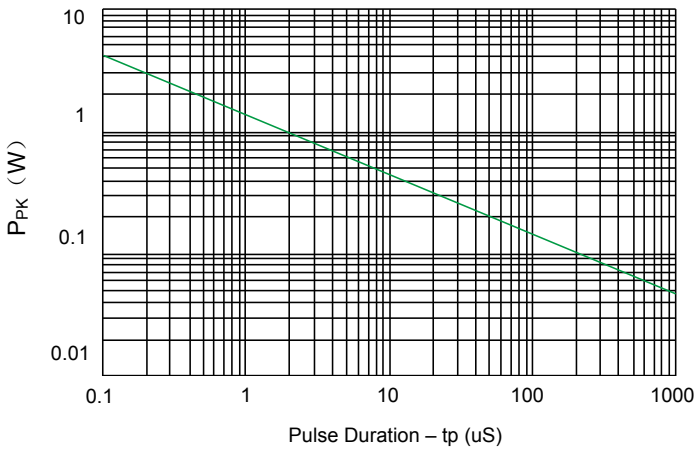


Fig1. Non-Repetitive Peak Pulse Power vs. Pulse time

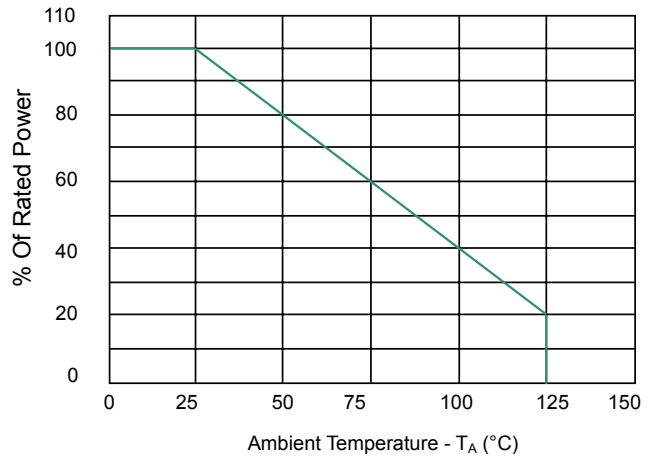


Fig2. Power Derating Curve

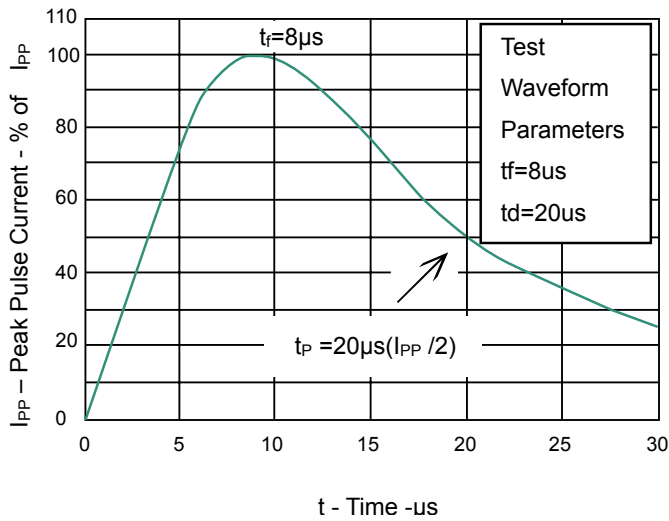


Fig 3. Pulse Waveform



Micro Commercial Components

Ordering Information :

Device	Packing
Part Number-TP	Tape&Reel: 3Kpcs/Reel

Note : Adding "-HF" suffix for halogen free, eg. Part Number-TP-HF

IMPORTANT NOTICE

Micro Commercial Components Corp. reserves the right to make changes without further notice to any product herein to make corrections, modifications , enhancements , improvements , or other changes . **Micro Commercial Components Corp .** does not assume any liability arising out of the application or use of any product described herein; neither does it convey any license under its patent rights ,nor the rights of others . The user of products in such applications shall assume all risks of such use and will agree to hold **Micro Commercial Components Corp .** and all the companies whose products are represented on our website, harmless against all damages.

LIFE SUPPORT

MCC's products are not authorized for use as critical components in life support devices or systems without the express written approval of Micro Commercial Components Corporation.

CUSTOMER AWARENESS

Counterfeiting of semiconductor parts is a growing problem in the industry. Micro Commercial Components (MCC) is taking strong measures to protect ourselves and our customers from the proliferation of counterfeit parts. MCC strongly encourages customers to purchase MCC parts either directly from MCC or from Authorized MCC Distributors who are listed by country on our web page cited below. Products customers buy either from MCC directly or from Authorized MCC Distributors are genuine parts, have full traceability, meet MCC's quality standards for handling and storage. **MCC will not provide any warranty coverage or other assistance for parts bought from Unauthorized Sources.** MCC is committed to combat this global problem and encourage our customers to do their part in stopping this practice by buying direct or from authorized distributors.

X-ON Electronics

Largest Supplier of Electrical and Electronic Components

Click to view similar products for [Micro Commercial Components \(MCC\)](#) manufacturer:

Other Similar products are found below :

[6A05-TP](#) [P6KE6.8CA-TP](#) [1N4002T&R](#) [3SMAJ5950B-TP](#) [3SMAJ5918B-TP](#) [MD130S16M5-BP](#) [GS1Z-LTP](#) [MBRB1060CTH-TP](#)
[MCQ15N10B-TP](#) [MBRB10150-BP](#) [5.0SMLJ22CAHE3-TP](#) [BAT64-05W-TP](#) [MUR860F-BP](#) [5.0SMLJ26CAHE3-TP](#) [BCV27-TP](#)
[MBRB1645CT-TP](#) [MURD1040C-TP](#) [ER1J-LTP](#) [MMSZ4688-TP](#) [MMXZ5231B-TP](#) [SMBJ5361B-TP](#) [5KP48A-TP](#) [BSS138W-TP](#) [KBP310G-](#)
[BP](#) [SM4003PL-TP](#) [SMBj30CA-TP](#) [SMBJ5357B-TP](#) [SMBJP6KE12CA-TP](#) [MF200K06F4-BP](#) [DL5237B-TP](#) [SK510AFL-TP](#) [RB551V-30-TP](#)
[SRV05-4A-TP](#) [GBJ3508-BP](#) [GBJ1008-BP](#) [SMBJ200A](#) [BAS70WT-05-TP](#) [MBR16100FCT-BP](#) [BAT54W-TP](#) [SMF12CA-TP](#) [GBU10M-BP](#)
[ER3J-TP](#) [353-8003-KIT](#) [10A05-TP](#) [BR106-BP](#) [2SC2383P-O-TP](#) [1EZ24D5-TP](#) [SK32B-LTP](#) [SK34AL-TPS02](#) [353-8004-KIT](#)