



Micro Commercial Components
 20736 Marilla Street Chatsworth
 CA 91311
 Phone: (818) 701-4933
 Fax: (818) 701-4939

MD100A08D1
MD100A12D1
MD100A16D1
MD100A18D1

Features

- Lead Free Finish/RoHS Compliant (NOTE 1) ("P" Suffix designates RoHS Compliant. See ordering information)
- Blocking Voltage: 800 to 1800V
- Heat transfer through aluminum oxide DBC ceramic isolated metal baseplate
- Glass passivated chip

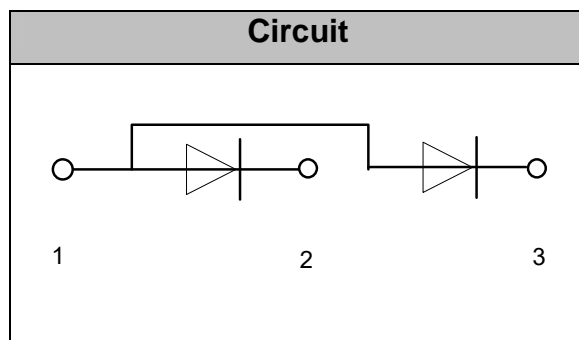
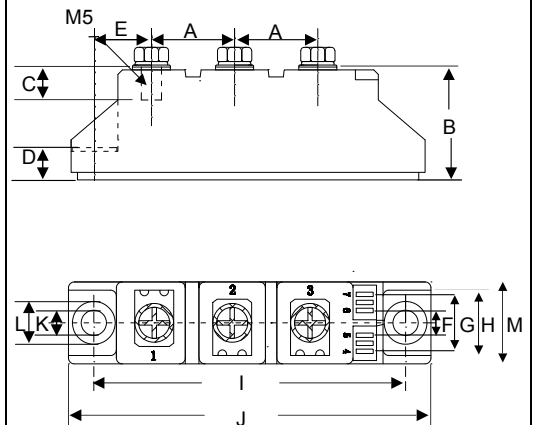
Applications

- Non-controllable rectifiers for AC/AC converters
- Line rectifiers for transistorized AC motor controllers
- Field supply for DC motors



100 Amp
GLASS PASSIVATED
RECTIFIER DIODE
MODULES
800~1800 Volts

D1



| DIM | INCHES | | MM | | NOTE |
|-----|--------|-------|-------|-------|------|
| | MIN | MAX | MIN | MAX | |
| A | 0.768 | 0.807 | 19.50 | 20.50 | |
| B | 1.161 | 1.201 | 29.50 | 30.50 | |
| C | 0.335 | 0.374 | 8.50 | 9.50 | |
| D | 0.315 | 0.354 | 8.00 | 9.00 | |
| E | 0.594 | 0.630 | 15.10 | 16.00 | |
| F | 0.217 | 0.256 | 5.50 | 6.50 | |
| G | 0.531 | 0.571 | 13.50 | 14.50 | |
| H | 0.650 | 0.689 | 16.50 | 17.50 | |
| I | 3.130 | 3.169 | 79.50 | 80.50 | |
| J | 3.642 | 3.681 | 92.50 | 93.50 | |
| K | 0.256 | | 6.50 | | Φ |
| L | 0.413 | 0.453 | 10.50 | 11.50 | |
| M | 0.807 | 0.846 | 20.50 | 21.50 | |

Module Type

| TYPE | VRRM | VRSM |
|------------|-------|-------|
| MD100A08D1 | 800V | 900V |
| MD100A12D1 | 1200V | 1300V |
| MD100A16D1 | 1600V | 1700V |
| MD100A18D1 | 1800V | 1900V |

Maximum Ratings

| Symbol | Conditions | Values | Units |
|------------------|--|-------------|------------------|
| IFAV | Single phase ,half wave 180° conduction Tc=109°C | 100 | A |
| IFSM | t=10mS Tvj =45°C | 2500 | A |
| i ² t | t=10mS Tvj =45°C | 31250 | A ² s |
| Visol | a.c.50HZ;r.m.s.;1min | 3000 | V |
| Tvj | | -40 to +150 | °C |
| Tstg | | -40 to +125 | °C |
| Mt | To terminals(M5) | 3±15% | Nm |
| Ms | To heatsink(M6) | 5±15% | Nm |
| Weight | Module (Approximately) | 100 | g |

Thermal Characteristics

| Symbol | Conditions | Values | Units |
|----------|------------|--------|-------|
| Rth(j-c) | Per diode | 0.35 | °C/W |
| Rth(c-s) | Module | 0.1 | °C/W |

Electrical Characteristics

| Symbol | Conditions | Values | | | Units |
|--------|--------------------|--------|------|------|-------|
| | | Min. | Typ. | Max. | |
| VFM | T=25°C IF =300A | — | 1.20 | 1.40 | V |
| IRD | Tvj=150°C VRD=VRRM | — | — | 5 | mA |

Performance Curves

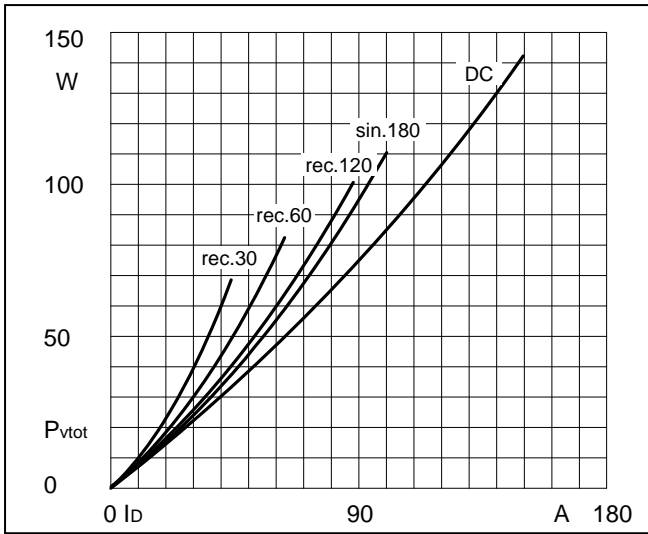


Fig1. Power dissipation

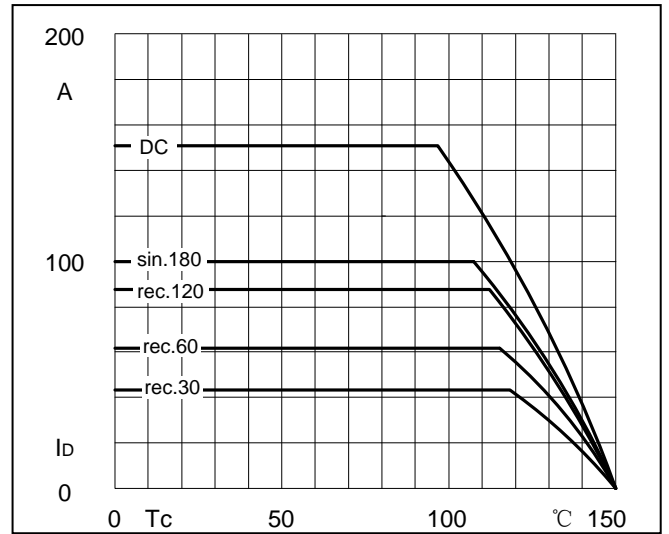


Fig2. Forward Current Derating Curve

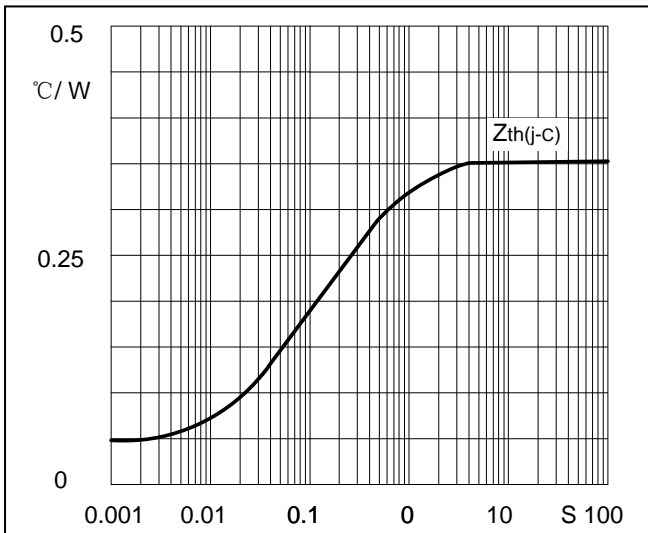


Fig3. Transient thermal impedance

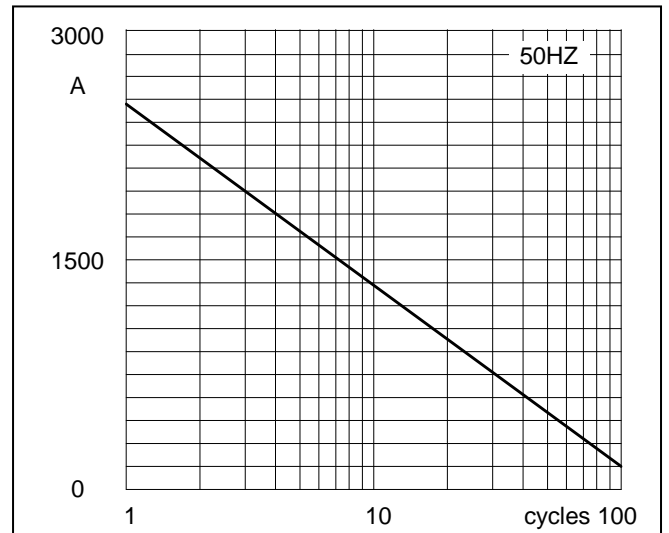


Fig4. Max Non-Repetitive Forward Surge Current

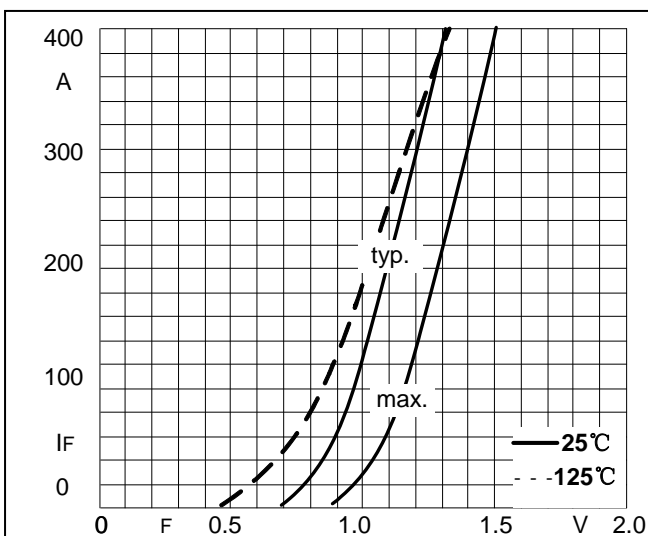


Fig5. Forward Characteristics



Micro Commercial Components

Ordering Information :

| Device | Packing |
|----------------|-----------------------------|
| Part Number-BP | Bulk: 10PCS/BOX ;100PCS/CTN |

*****IMPORTANT NOTICE*****

Micro Commercial Components Corp. reserves the right to make changes without further notice to any product herein to make corrections, modifications , enhancements , improvements , or other changes . **Micro Commercial Components Corp .** does not assume any liability arising out of the application or use of any product described herein; neither does it convey any license under its patent rights ,nor the rights of others . The user of products in such applications shall assume all risks of such use and will agree to hold **Micro Commercial Components Corp .** and all the companies whose products are represented on our website, harmless against all damages.

*****LIFE SUPPORT*****

MCC's products are not authorized for use as critical components in life support devices or systems without the express written approval of Micro Commercial Components Corporation.

*****CUSTOMER AWARENESS*****

Counterfeiting of semiconductor parts is a growing problem in the industry. Micro Commercial Components (MCC) is taking strong measures to protect ourselves and our customers from the proliferation of counterfeit parts. MCC strongly encourages customers to purchase MCC parts either directly from MCC or from Authorized MCC Distributors who are listed by country on our web page cited below. Products customers buy either from MCC directly or from Authorized MCC Distributors are genuine parts, have full traceability, meet MCC's quality standards for handling and storage. **MCC will not provide any warranty coverage or other assistance for parts bought from Unauthorized Sources.** MCC is committed to combat this global problem and encourage our customers to do their part in stopping this practice by buying direct or from authorized distributors.

www.mccsemi.com

X-ON Electronics

Largest Supplier of Electrical and Electronic Components

Click to view similar products for [Discrete Semiconductor Modules](#) category:

Click to view products by [Micro Commercial Components \(MCC\)](#) manufacturer:

Other Similar products are found below :

[M252511FV](#) [DD260N12K-A](#) [DD380N16A](#) [DD89N1600K-A](#) [APT2X21DC60J](#) [APT58M80J](#) [B522F-2-YEC](#) [MSTC90-16](#) [25.163.0653.1](#)
[25.163.2453.0](#) [25.163.4253.0](#) [25.190.2053.0](#) [25.194.3453.0](#) [25.320.4853.1](#) [25.320.5253.1](#) [25.326.3253.1](#) [25.326.3553.1](#) [25.330.1653.1](#)
[25.330.4753.1](#) [25.330.5253.1](#) [25.334.3253.1](#) [25.334.3353.1](#) [25.350.2053.0](#) [25.352.4753.1](#) [25.522.3253.0](#) [T483C](#) [T484C](#) [T485F](#) [T485H](#)
[T512F-YEB](#) [T513F](#) [T514F](#) [T554](#) [T612FSE](#) [25.161.3453.0](#) [25.179.2253.0](#) [25.194.3253.0](#) [25.325.1253.1](#) [25.326.4253.1](#) [25.330.0953.1](#)
[25.332.4353.1](#) [25.350.1653.0](#) [25.350.2453.0](#) [25.352.1453.0](#) [25.352.1653.0](#) [25.352.2453.0](#) [25.352.5453.1](#) [25.522.3353.0](#) [25.602.4053.0](#)
[25.640.5053.0](#)