

Features

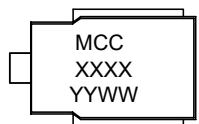
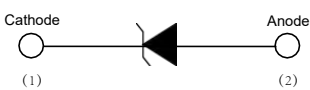
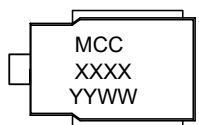
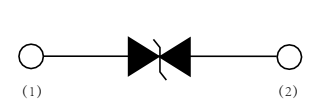
- AEC-Q101 Qualified
- Low Leakage Current
- Excellent Clamping Capability
- Bi-directional Polarity
- Epoxy Meets UL 94 V-0 Flammability Rating
- Lead Free Finish/RoHS Compliant ^(Note1) ("P" Suffix Designates RoHS Compliant. See Ordering Information)
- ESD protection of data lines in accordance with IEC 61000-4-2, ±30kV(Air),±30kV (Contact)

Maximum Ratings

Parameter	Symbol	Value	Unit
Peak Pulse Power Surge Current with a 10/1000µs Waveform ^(Note2)	I _{PPM}	See Next Table	A
Peak Pulse Power Dissipation with a 10/1000µs Waveform	P _{PPM}	4600	W
Peak Pulse Power Dissipation with a 10/10000µs Waveform	P _{PPM}	3600	W
Power Dissipation On Infinite Heatsink TL=25°C	P _D	5	W
Peak Forward Surge Current Unidirectional Only ^(Note3)	I _{FSM}	600	A
Operating Junction Temperature Range	T _J	-55 to +175	°C
Storage Temperature Range	T _{STG}	-55 to +175	°C
Typical Thermal Resistance Junction to Case	R _{θJC}	1.2	°C/W

Note: 1. High Temperature Solder Exemptions Applied, see EU Directive Annex 7a.
 2. Non-repetitive current pulse, per Fig.2 and derated above T_A=25°C per Fig.3
 3. 8.3 ms single half sine-wave

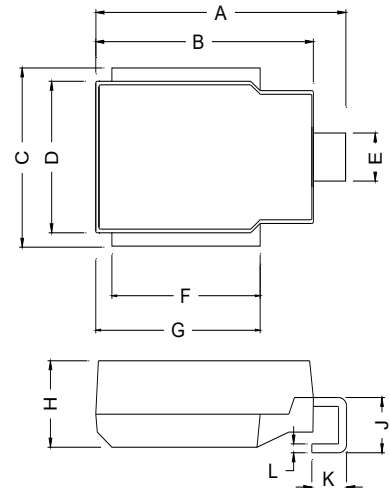
Internal Structure

Description	Simplified outline	Graphic symbol
Uni-directional		
Bi-directional		

XXXX = Marking code YYWW = Date Code

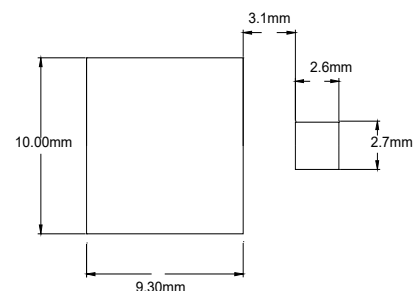
**4600 Watt
TVS
10 to 43 Volts**

DO-218AB



DIM	INCHES		MM		NOTE
	MIN	MAX	MIN	MAX	
A	0.590	0.630	15.00	16.00	
B	0.524	0.539	13.30	13.70	
C	0.374	0.413	9.50	10.50	
D	0.323	0.339	8.20	8.70	
E	0.091	0.114	2.30	3.00	
F	0.343	0.366	8.70	9.50	
G	0.382	0.406	9.70	10.50	
H	0.189	0.205	4.70	5.20	
J	0.098	0.138	2.50	3.50	
K	0.067	0.106	1.70	2.80	
L	0.020	0.028	0.50	0.70	

SUGGESTED SOLDER PAD LAYOUT



Electrical Characteristics @ 25°C Unless Otherwise Specified

MCC Part Number		Working Peak Reverse Voltage VRWM (V)	Breakdown Voltage VBR @IT			Maximum Reverse Leakage IR @VRWM (µA)	Maximum IR @VRWM TJ=175 (µA)	Maximum Reverse Surge Current IPP (A) ⁽¹⁾	Maximum Clamping Voltage VC@IPP (V)
			Min (V)	Max (V)	IT(mA)				
SM6S10AHE3	SM6S10CAHE3	10	11.1	12.3	5	15	250	271	17.0
SM6S11AHE3	SM6S11CAHE3	11	12.2	13.5	5	10	150	253	18.2
SM6S12AHE3	SM6S12CAHE3	12	13.3	14.7	5	10	150	231	19.9
SM6S13AHE3	SM6S13CAHE3	13	14.4	15.9	5	10	150	214	21.5
SM6S14AHE3	SM6S14CAHE3	14	15.6	17.2	5	10	150	198	23.2
SM6S15AHE3	SM6S15CAHE3	15	16.7	18.5	5	10	150	189	24.4
SM6S16AHE3	SM6S16CAHE3	16	17.8	19.7	5	10	150	177	26.0
SM6S17AHE3	SM6S17CAHE3	17	18.9	20.9	5	10	150	167	27.6
SM6S18AHE3	SM6S18CAHE3	18	20.0	22.1	5	10	150	158	29.2
SM6S20AHE3	SM6S20CAHE3	20	22.2	24.5	5	10	150	142	32.4
SM6S22AHE3	SM6S22CAHE3	22	24.4	26.9	5	10	150	130	35.5
SM6S24AHE3	SM6S24CAHE3	24	26.7	29.5	5	10	150	118	38.9
SM6S26AHE3	SM6S26CAHE3	26	28.9	31.9	5	10	150	109	42.1
SM6S28AHE3	SM6S28CAHE3	28	31.1	34.4	5	10	150	101	45.4
SM6S30AHE3	SM6S30CAHE3	30	33.3	36.8	5	10	150	95	48.4
SM6S33AHE3	SM6S33CAHE3	33	36.7	40.6	5	10	150	86	53.3
SM6S36AHE3	SM6S36CAHE3	36	40.0	44.2	5	10	150	79	58.1
SM6S40AHE3	SM6S40CAHE3	40	44.4	49.1	5	10	150	71	64.5
SM6S43AHE3	SM6S43CAHE3	43	47.8	52.8	5	10	150	66	69.4

Note: 1.Surge current waveform is defined at 10/1000us waveform

2.For all types maximum $V_F = 1.9V$ at $I_F = 100A$ measured on 8.3 ms single half sine-wave or equivalent square wave, duty cycle = 4 pulses per minute maximum

Curve Characteristics

Fig. 1 - Peak Pulse Power Rating Curve

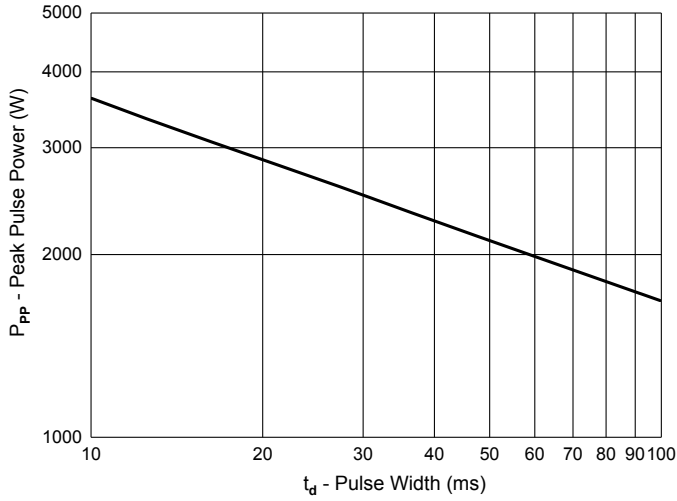


Fig. 2 - Steady State Power Derating Curve

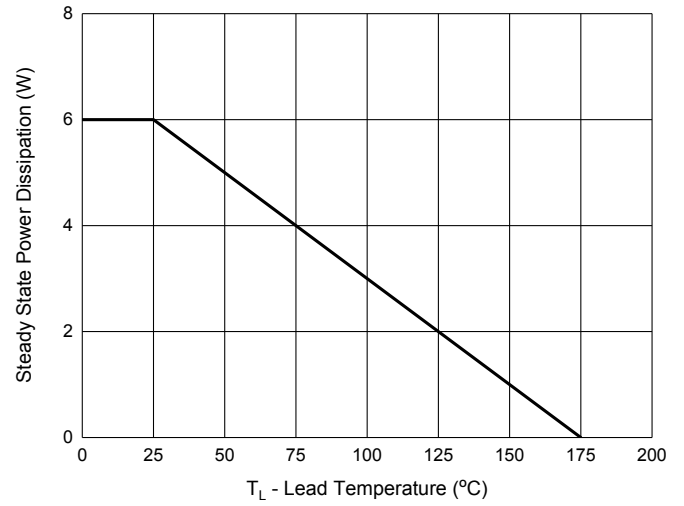


Fig. 3 - Pulse Waveform

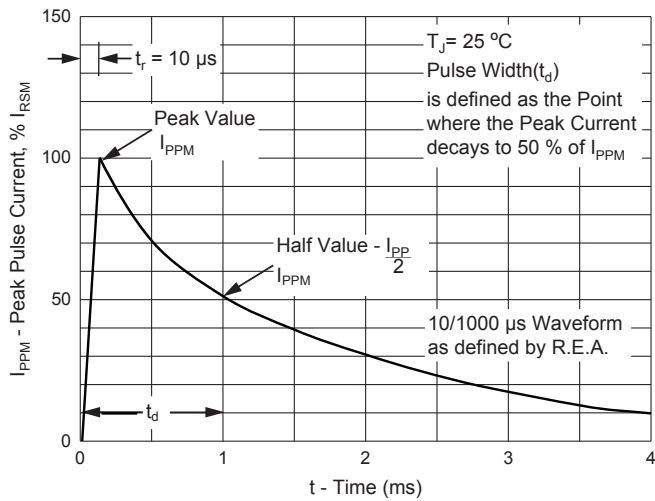
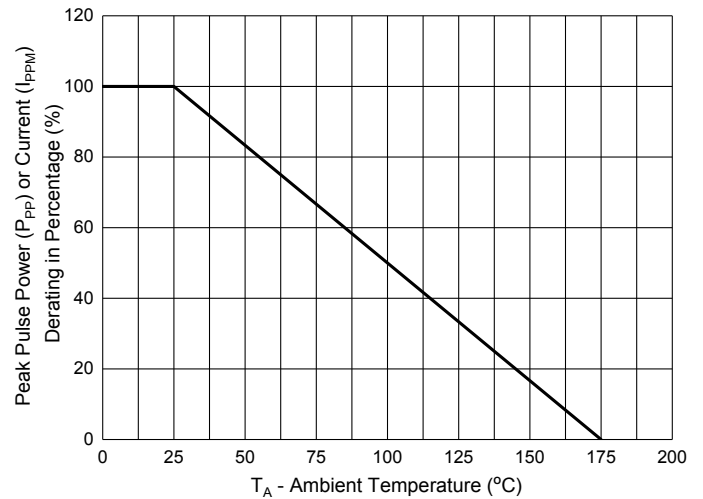


Fig. 4 - Pulse Derating Curve



Ordering Information

Device	Packing
Part Number-TP	Tape&Reel:750pcs/Reel

IMPORTANT NOTICE

Micro Commercial Components Corp. reserves the right to make changes without further notice to any product herein to make corrections, modifications, enhancements, improvements, or other changes. **Micro Commercial Components Corp.** does not assume any liability arising out of the application or use of any product described herein; neither does it convey any license under its patent rights, nor the rights of others. The user of products in such applications shall assume all risks of such use and will agree to hold **Micro Commercial Components Corp.** and all the companies whose products are represented on our website, harmless against all damages. **Micro Commercial Components Corp.** products are sold subject to the general terms and conditions of commercial sale, as published at <https://www.mccsemi.com/Home/TermsAndConditions>.

LIFE SUPPORT

MCC's products are not authorized for use as critical components in life support devices or systems without the express written approval of Micro Commercial Components Corporation.

CUSTOMER AWARENESS

Counterfeiting of semiconductor parts is a growing problem in the industry. Micro Commercial Components (MCC) is taking strong measures to protect ourselves and our customers from the proliferation of counterfeit parts. MCC strongly encourages customers to purchase MCC parts either directly from MCC or from Authorized MCC Distributors who are listed by country on our web page cited below. Products customers buy either from MCC directly or from Authorized MCC Distributors are genuine parts, have full traceability, meet MCC's quality standards for handling and storage. **MCC will not provide any warranty coverage or other assistance for parts bought from Unauthorized Sources.** MCC is committed to combat this global problem and encourage our customers to do their part in stopping this practice by buying direct or from authorized distributors.

X-ON Electronics

Largest Supplier of Electrical and Electronic Components

Click to view similar products for [Micro Commercial Components \(MCC\)](#) manufacturer:

Other Similar products are found below :

[1.5KE100A-TP](#) [1.5KE110A-TP](#) [1.5KE150A-TP](#) [1.5KE150CA-TP](#) [1.5KE15CA-TP](#) [1.5KE200A-TP](#) [1.5KE200CA-TP](#) [1.5KE20A-TP](#)
[1.5KE20CA-TP](#) [1.5KE220A-TP](#) [1.5KE220CA-TP](#) [1.5KE22A-TP](#) [1.5KE22CA-TP](#) [1.5KE24A-TP](#) [1.5KE24CA-TP](#) [1.5KE250A-TP](#)
[1.5KE250CA-TP](#) [1.5KE27A-TP](#) [1.5KE27CA-TP](#) [1.5KE300CA-TP](#) [1.5KE30A-TP](#) [1.5KE30CA-TP](#) [1.5KE33A-TP](#) [1.5KE33CA-TP](#)
[1.5KE350CA-TP](#) [1.5KE36A-BP](#) [1.5KE36A-TP](#) [1.5KE400A-TP](#) [1.5KE400CA-TP](#) [1.5KE43A-TP](#) [1.5KE43CA-TP](#) [1.5KE43CA-TP-HF](#)
[1.5KE440CA-TP](#) [1.5KE47A-TP](#) [1.5KE51CA-TP](#) [1.5KE56A-TP](#) [1.5KE56CA-TP](#) [1.5KE6.8A-TP](#) [1.5KE68A-TP](#) [1.5KE68CA-TP](#) [1.5KE8.2A-](#)
[TP](#) [1.5KE82A-TP](#) [1.5KE82CA-TP](#) [10A01-TP](#) [10A02](#) [15KP120CA-TP](#) [15KP17A-TP](#) [15KP200A-TP](#) [15KP240CA-TP](#) [15KP33CA-TP](#)