

	<b>E480232</b>
---	----------------

### Features

- AEC-Q101 Qualified
- For Surface Mount Application in Order to Optimize Board Space
- Low Profile Package
- Low Inductance
- Excellent Clamping Capability
- Fast Response Time: Typical Less Than 1.0ps From 0 Volts to  $V_{BR}$  Minimum
- For Bidirectional Devices Add "C" To The Suffix of The Part Number: i.e.SMCJ1.5KE12CAHE3 for 5% Tolerance
- Halogen Free. "Green" Device (Note 1)
- Moisture Sensitivity Level 1
- Epoxy Meets UL 94 V-0 Flammability Rating
- Lead Free Finish/RoHS Compliant (Note2) ("P" Suffix Designates RoHS Compliant. See Ordering Information)

### Mechanical Data

- Polarity: Color Band Denotes Positive End( cathode) Except Bi-Directional Types
- Maximum Soldering Temperature: 260°C/10 Seconds at Terminals
- Manufacturing Code Added for Better Tracking
- Terminals: Solderable Per MIL-STD-750, Method 2026

### Maximum Ratings

- Operating Junction Temperature Range: -55°C to +175°C
- Storage Temperature Range: -55°C to +175°C
- Typical Thermal Resistance: 15°C/W Junction to Lead
- Typical Thermal Resistance: 75°C/W Junction to Ambient

### Electrical Characteristics @ 25°C Unless Otherwise Specified

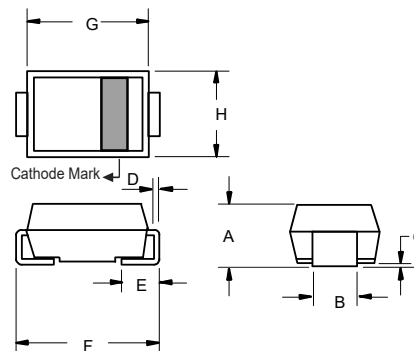
Peak Pulse Power Surge Current on 10/1000µs Waveform	$I_{PP}$	See the Table	Note 3
Peak Pulse Power Dissipation	$P_{PP}$	1500W(Min)	Note 3,4

Note: 1. Halogen free "Green" products are defined as those which contain <900ppm bromine, <900ppm chlorine (<1500ppm total Br + Cl) and <1000ppm antimony compounds.

2. High Temperature Solder Exemption Applied, see EU Directive Annex 7a.
3. Non-repetitive current pulse, per Fig.3 and derated above  $T_A=25^\circ\text{C}$  per Fig.1.
4. Mounted on 8.0mm<sup>2</sup> copper pads to each terminal.

**1500 Watt TVS**  
**12 to 91 Volts**

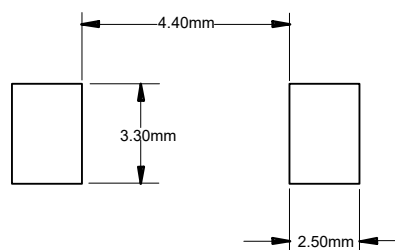
### SMC (DO-214AB) (LEAD FRAME)



#### DIMENSIONS

DIM	INCHES		MM		NOTE
	MIN	MAX	MIN	MAX	
A	0.079	0.103	2.00	2.62	
B	0.108	0.128	2.75	3.25	
C	0.002	0.008	0.051	0.203	
D	0.006	0.012	0.152	0.305	
E	0.030	0.060	0.76	1.52	
F	0.305	0.320	7.75	8.13	
G	0.260	0.280	6.60	7.11	
H	0.220	0.245	5.59	6.22	

#### Suggested Solder Pad Layout



Electrical Characteristics @ 25°C Unless Otherwise Specified

MCC Part Number	Reverse Stand-Off Voltage	Breakdown Voltage $V_{BR}(V)$		Test Current	Max. Clamping Voltage @ $I_{PP}$	Peak Pulse Current	Reverse Leakage Current @ $V_{WM}$	Marking Code
	$V_{WM}(V)$	Min	Max	$I_T(mA)$	$V_C(V)$	$I_{PP}(A)$	$I_D(\mu A)$	
SMCJ1.5KE12AHE3	10.20	11.40	12.60	1	16.7	91.0	5	12A
SMCJ1.5KE13AHE3	11.10	12.40	13.70	1	18.2	83.5	1	13A
SMCJ1.5KE15AHE3	12.80	14.30	15.80	1	21.2	71.7	1	15A
SMCJ1.5KE16AHE3	13.60	15.20	16.80	1	22.5	67.6	1	16A
SMCJ1.5KE18AHE3	15.30	17.10	18.90	1	25.5	60.3	1	18A
SMCJ1.5KE20AHE3	17.10	19.00	21.00	1	27.7	54.9	1	20A
SMCJ1.5KE22AHE3	18.80	20.90	23.10	1	30.6	49.7	1	22A
SMCJ1.5KE24AHE3	20.50	22.80	25.20	1	33.2	45.8	1	24A
SMCJ1.5KE27AHE3	23.10	25.70	28.40	1	37.5	40.5	1	27A
SMCJ1.5KE30AHE3	25.60	28.50	31.50	1	41.4	36.7	1	30A
SMCJ1.5KE33AHE3	28.20	31.40	34.70	1	45.7	33.3	1	33A
SMCJ1.5KE36AHE3	30.80	34.20	37.80	1	49.9	30.5	1	36A
SMCJ1.5KE39AHE3	33.30	37.10	41.00	1	53.9	28.2	1	39A
SMCJ1.5KE43AHE3	36.80	40.90	45.20	1	59.3	25.6	1	43A
SMCJ1.5KE47AHE3	40.20	44.70	49.40	1	64.8	23.5	1	47A
SMCJ1.5KE51AHE3	43.60	48.50	53.60	1	70.1	21.7	1	51A
SMCJ1.5KE56AHE3	47.80	53.20	58.80	1	77.0	19.7	1	56A
SMCJ1.5KE62AHE3	53.00	58.90	65.10	1	85.0	17.9	1	62A
SMCJ1.5KE68AHE3	58.10	64.60	71.40	1	92.0	16.5	1	68A
SMCJ1.5KE75AHE3	64.10	71.30	78.80	1	103.0	14.8	1	75A
SMCJ1.5KE82AHE3	70.10	77.90	86.10	1	113.0	13.5	1	82A
SMCJ1.5KE91AHE3	77.80	86.50	95.50	1	125.0	12.2	1	91A
SMCJ1.5KE12CAHE3	10.20	11.40	12.60	1	16.7	91.0	5	12C
SMCJ1.5KE13CAHE3	11.10	12.40	13.70	1	18.2	83.5	1	13C
SMCJ1.5KE15CAHE3	12.80	14.30	15.80	1	21.2	70.8	1	15C
SMCJ1.5KE16CAHE3	13.60	15.20	16.80	1	22.5	66.7	1	16C
SMCJ1.5KE18CAHE3	15.30	17.10	18.90	1	25.5	60.3	1	18C
SMCJ1.5KE20CAHE3	17.10	19.00	21.00	1	27.7	54.9	1	20C
SMCJ1.5KE22CAHE3	18.80	20.90	23.10	1	30.6	49.7	1	22C
SMCJ1.5KE24CAHE3	20.50	22.80	25.20	1	33.2	45.8	1	24C
SMCJ1.5KE27CAHE3	23.10	25.70	28.40	1	37.5	40.5	1	27C
SMCJ1.5KE30CAHE3	25.60	28.50	31.50	1	41.4	36.7	1	30C
SMCJ1.5KE33CAHE3	28.20	31.40	34.70	1	45.7	33.3	1	33C
SMCJ1.5KE36CAHE3	30.80	34.20	37.80	1	49.9	30.5	1	36C
SMCJ1.5KE39CAHE3	33.30	37.10	41.00	1	53.9	28.2	1	39C
SMCJ1.5KE43CAHE3	36.80	40.90	45.20	1	59.3	25.6	1	43C
SMCJ1.5KE47CAHE3	40.20	44.70	49.40	1	64.8	23.5	1	47C
SMCJ1.5KE51CAHE3	43.60	48.50	53.60	1	70.1	21.7	1	51C
SMCJ1.5KE56CAHE3	47.80	53.20	58.80	1	77.0	19.7	1	56C
SMCJ1.5KE62CAHE3	53.00	58.90	65.10	1	85.0	17.9	1	62C
SMCJ1.5KE68CAHE3	58.10	64.60	71.40	1	92.0	16.5	1	68C
SMCJ1.5KE75CAHE3	64.10	71.30	78.80	1	103.0	14.8	1	75C
SMCJ1.5KE82CAHE3	70.10	77.90	86.10	1	113.0	13.5	1	82C
SMCJ1.5KE91CAHE3	77.80	86.50	95.50	1	125.0	12.2	1	91C

For bi-directional type having  $V_{WM}$  of 10 volts and less, the  $I_R$  limit is double.  
The available parts are "A" type only, the parts without A ( $V_{BR}$  is  $\pm 10\%$ ) is not available.

**Curve Characteristics**

Fig. 1 - Peak Pulse Power Rating Curve

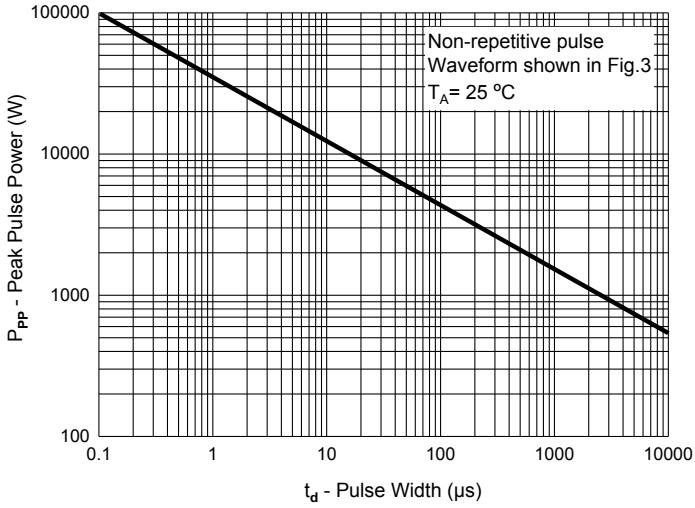


Fig. 2 - Typical Junction Capacitance

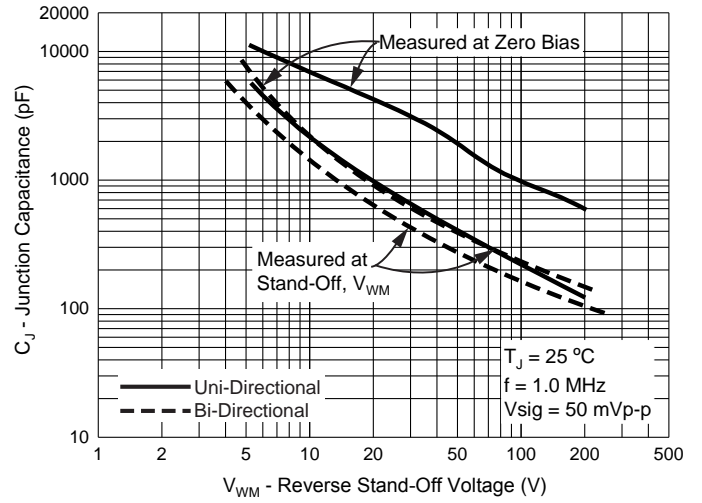


Fig. 3 - Pulse Waveform

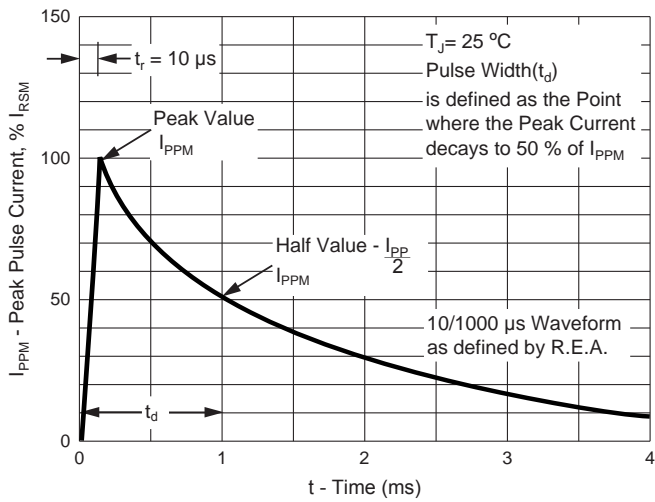
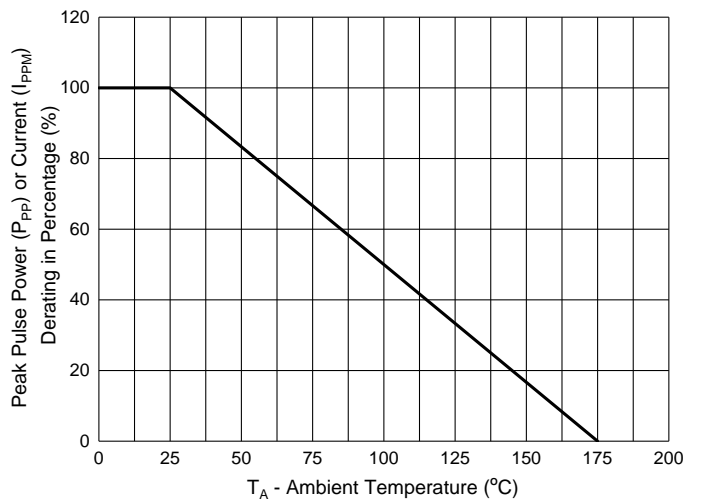


Fig. 4 - Pulse Derating Curve



## Ordering Information

Device	Packing
Part Number-TP	Tape&Reel:3Kpcs/Reel

**\*\*\*IMPORTANT NOTICE\*\*\***

*Micro Commercial Components Corp.* reserves the right to make changes without further notice to any product herein to make corrections, modifications, enhancements, improvements, or other changes. *Micro Commercial Components Corp.* does not assume any liability arising out of the application or use of any product described herein; neither does it convey any license under its patent rights, nor the rights of others. The user of products in such applications shall assume all risks of such use and will agree to hold *Micro Commercial Components Corp.* and all the companies whose products are represented on our website, harmless against all damages.

**\*\*\*LIFE SUPPORT\*\*\***

MCC's products are not authorized for use as critical components in life support devices or systems without the express written approval of Micro Commercial Components Corporation.

**\*\*\*CUSTOMER AWARENESS\*\*\***

Counterfeiting of semiconductor parts is a growing problem in the industry. Micro Commercial Components (MCC) is taking strong measures to protect ourselves and our customers from the proliferation of counterfeit parts. MCC strongly encourages customers to purchase MCC parts either directly from MCC or from Authorized MCC Distributors who are listed by country on our web page cited below. Products customers buy either from MCC directly or from Authorized MCC Distributors are genuine parts, have full traceability, meet MCC's quality standards for handling and storage. **MCC will not provide any warranty coverage or other assistance for parts bought from Unauthorized Sources.** MCC is committed to combat this global problem and encourage our customers to do their part in stopping this practice by buying direct or from authorized distributors.

## X-ON Electronics

Largest Supplier of Electrical and Electronic Components

*Click to view similar products for [ESD Suppressors / TVS Diodes](#) category:*

*Click to view products by [Micro Commercial Components \(MCC\)](#) manufacturer:*

Other Similar products are found below :

[NTE4902](#) [P4SMAJ15A](#) [P4SMAJ26A](#) [SMAJ400CA-TP](#) [TGL34-47CA](#) [ESDAULC45-1BF4](#) [SM1605E3/TR13](#) [SMF20A-TP](#) [P4SMAJ12A](#)  
[CPDUR24V-HF](#) [CPDQC5V0USP-HF](#) [CPDQC5V0-HF](#) [MPLAD30KP280A](#) [MPLAD30KP45CAE3](#) [MMBZ27VCLQ-7-F](#) [MMAD1108/TR13](#)  
[MPLAD30KP24A](#) [MPLAD30KP30CAE3](#) [ACPDQC5V0R-HF](#) [DFLT170A-7](#) [NTE4900](#) [NTE4926](#) [NTE4938](#) [JANTX1N6144A](#)  
[JANTX1N6057A](#) [SMF22A-TP](#) [SMF12A-TP](#) [SLVU2.8-TP](#) [SMLJ6.5CA-TP](#) [SMAJ6.5CA-TP](#) [MMAD1108E3/TR13](#) [JANTX1N6160A](#)  
[D5V0M1U2LP3-7](#) [SMAJ400A-TP](#) [AOZ8811DT-03](#) [AOZ8831DI-05](#) [AOZ8831DT-03](#) [SMAJ188CA](#) [3SMC33CA BK](#) [CPDQC3V3C-HF](#)  
[CPDQC12VE-HF](#) [GRPADATAJANTX1N6041A](#) [MPLAD30KP170CA](#) [82357120100](#) [5.0SMLJ15CA-TP](#) [5KP18A-TP](#) [P6KE8.2A-TP](#)  
[MPLAD30KP43CAE3](#) [SMAJ43A-TP](#) [D26V0H1U2LP16-7](#)