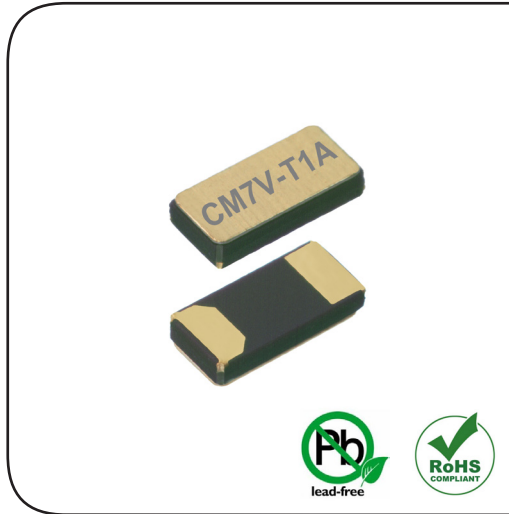
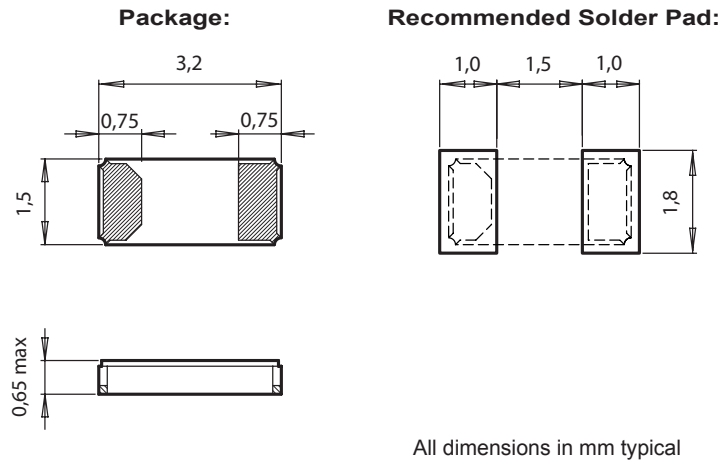


# CM7V-T1A Low ESR

## Tuning Fork Crystal 32.768 kHz



### DIMENSIONS



### APPLICATIONS

IoT  
Metering  
Industrial  
Automotive  
Health Care  
Wearables, Portables

### DESCRIPTION

The CM7V-T1A Low ESR is a low frequency SMT Quartz Crystal Unit that incorporates a tuning fork Quartz Crystal Resonator. It operates under vacuum in a hermetically sealed ceramic package with metal lid.

### FEATURES

Maximum ESR value of 50 kΩ for low power designs.  
Outstanding hermetic sealing with gold-tin preform.  
High stability and low aging guaranteed by hermetic sealing.  
Available for extended operating temperature range.  
Small size, low profile, lightweight (10.3 mg).  
High shock and vibration resistant.  
100% Pb-free, RoHS-compliant.  
Automotive qualification according to AEC-Q200 available.

### ELECTRICAL CHARACTERISTICS AT 25°C

Standard Frequency	<sup>1)</sup> $F_L$	32.768	kHz
Load capacitance	<sup>2)</sup> $C_L$	6.0 / 7.0 / 9.0 / 12.5	pF
Frequency tolerance	<sup>3)</sup> $\Delta F/F$	±20	ppm
	$\Delta F/F$	±100	ppm
Series resistance typ./max.	$R_S$	40 / 50	kΩ
Motional capacitance typ.	$C_1$	4.7	fF
Static capacitance typ.	$C_0$	1.3	pF
Drive level max.	P	1.0	μW
Insulation resistance min.	$R_i$	500	MΩ
Aging first year max.	$\Delta F/F$	±3	ppm
Turnover temperature	$T_0$	25 ±5	°C
Frequency vs. temperature	$\Delta F/F_0$	$-0.035 \text{ ppm}/^\circ\text{C}^2 (T - T_0)^2 \pm 10\%$	ppm

- 1) Other frequencies on request.  
2) Other load capacitances on request.  
3) Tighter frequency tolerances on request.

**STANDARD FREQUENCIES**

<b>Frequency</b>
32.768 kHz
Other frequencies on request

**ENVIRONMENTAL CHARACTERISTICS**

		<b>Conditions</b>	<b>Max. Dev.</b>
Storage temp. range		-55 to +125°C	
TA Operating temperature range		-40 to +85°C	
TB Extended oper. temp. range		-40 to +125°C	
TC Extended oper. temp. range		-55 to +125°C	
Shock resistance	ΔF/F	5000 g, 0.3 ms, ½ sine	±5 ppm
Vibration resistance	ΔF/F	20 g / 10–2000 Hz	±5 ppm

**TERMINATIONS AND PROCESSING**

<b>Type</b>	<b>Termination</b>	<b>Processing</b>
CM7V-T1A Low ESR	For SMT mounting Au flashed pads	IPC/JEDEC J-STD-020C 260°C / 20 - 40 s

**ORDERING INFORMATION**

**C M 7 V - T 1 A Low ESR 32.768 kHz 12.5 pF ±20 ppm TA QC**

<p><b>Ceramic package</b></p> <p><b>Metal lid</b></p> <p><b>Package size</b> 7 = 3.2 x 1.5 x 0.65 mm</p> <p><b>Tuning fork</b></p> <p><b>SMT Package</b></p> <p><b>Au flashed pads</b></p> <p><b>Pads on both ends</b></p> <p><b>Special feature</b> Low ESR = 50 kΩ max.</p>	<p><b>Frequency <math>F_L</math></b></p> <p><b>Load capacitance <math>C_L</math></b> 6.0 pF 7.0 pF 9.0 pF 12.5 pF Other <math>C_L</math> on request</p> <p><b>Frequency tolerance</b> ±20 ppm ±100 ppm Tighter freq. tolerances on request</p> <p><b>Temperature range</b> <b>TA</b> = -40 to +85°C (Standard) <b>TB</b> = -40 to +125°C <b>TC</b> = -55 to +125°C</p> <p><b>Qualification</b> <b>QC</b> = Commercial Grade (Standard) <b>QA</b> = Automotive Grade AEC-Q200</p>
---	--

A unique part number will be generated for each product specification, i.e:	
20xxxx-MG01	1'000 pcs (in 12 mm tape on 7" reel)
20xxxx-MG03	3'000 pcs (in 12 mm tape on 7" reel)
20xxxx-PG14	14'000 pcs (in 12 mm tape on 13" reel)

All specifications subject to change without notice.



Micro Crystal AG  
Muehlestrasse 14  
CH-2540 Grenchen  
Switzerland

Phone +41 32 655 82 82  
Fax +41 32 655 82 83  
sales@microcrystal.com  
www.microcrystal.com

## X-ON Electronics

Largest Supplier of Electrical and Electronic Components

*Click to view similar products for [Crystals](#) category:*

*Click to view products by [Micro Crystal](#) manufacturer:*

Other Similar products are found below :

[MC405 32.0000K-R3:PURE SN](#) [7B-27.000MBBK-T](#) [MP1-8.0 99-BU](#) [9B-15.360MBBK-B](#) [PTX-A2JM-10.000M](#) [9C-7.680MBBK-T](#) [H10S-12.000-18-EXT-TR](#) [R38-32.768-12.5-5PPM-NPB](#) [BTD1062E05A-513](#) [21U15A-21.4MHZ](#) [RTX-781DF1-S-20.950](#) [LFXTAL066198Cutt](#) [9C-14.31818MBBK-T](#) [A-11.000MHZ-27](#) [SPT2A-.032768B](#) [SPT2A.032768G](#) [SSPT7F-9PF20-R](#) [FX325BS-38.88EEM1201](#) [MP-1-25.000MHZ-3L](#) [MP-1-6.000MHZ](#) [LFXTAL065253Cutt](#) [LFXTAL066431Cutt](#) [XT9S20ANA14M7456](#) [XT9SNLANA16M](#) [646G-24-2](#) [7A-24.576MBBK-T](#) [7B-30.000MBBK-T](#) [7A-14.31818MBBK-T](#) [6526-202-1501](#) [BTJ120E02C](#) [SG636PCE-20.000MC](#) [3404](#) [CM315D32768EZFT](#) [C1E-24.000-7-2020-R](#) [C1E-19.200-12-1530-X-R](#) [C1E-16.000-12-1530-X-R](#) [ABM11-16.000MHZ-9-B1U-T](#) [FL5000014](#) [EUCA18-3.1872M](#) [425F35E027M0000](#) [17196](#) [ABM3-13.52313MHZ-10-B4Y-T](#) [MS3V-T1R-32.768kHz-7pF-20PPM-TA-QC-Au](#) [VXM7-1C1-16M000](#) [MS1V-T1K-32.768kHz-10pF-20PPM-TA-QC-Au](#) [MS3V-T1R-32.768kHz-9pF-20PPM-TA-QC-Au](#) [ECS-80-18-30-JGN-TR](#) [17000](#) [17301](#)