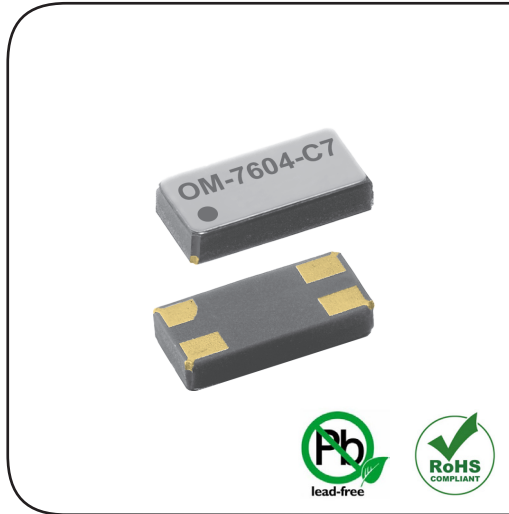
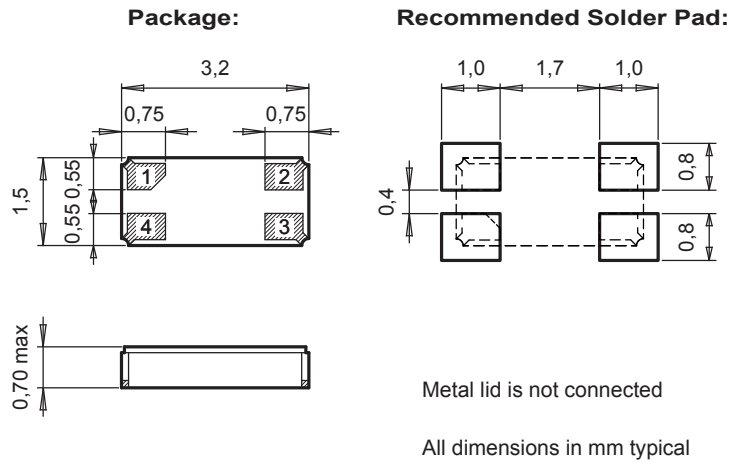


OM-7604-C7

Low Power Clock Oscillator 32.768 kHz



DIMENSIONS



APPLICATIONS

IoT
 Metering
 Industrial
 Automotive
 Health Care
 Wearables, Portables

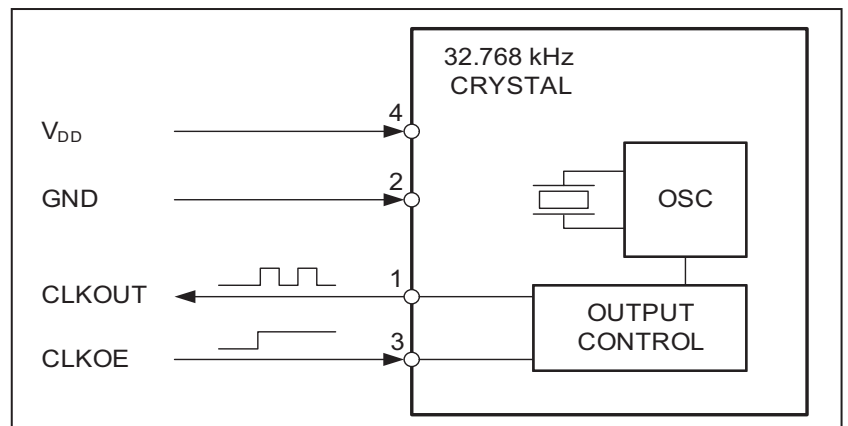
DESCRIPTION

The OM-7604-C7 is a Low Frequency SMT Oscillator that incorporates an integrated CMOS circuit together with an XTAL. It operates under vacuum in a hermetically sealed ceramic package with metal lid.

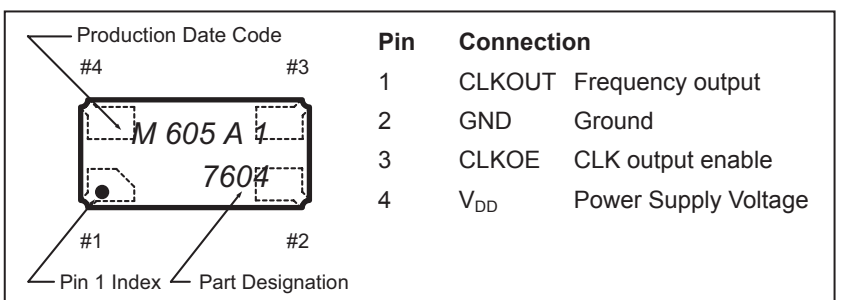
FEATURES

Wide supply voltage range.
 Very low power consumption.
 Synchronized CLKOUT enable/disable.
 Small size, low profile, lightweight (10.6 mg).
 High shock and vibration resistant.
 100% Pb-free, RoHS-compliant.
 Automotive qualification according to AEC-Q200 available.

BLOCK DIAGRAM



PIN CONNECTIONS TOP VIEW



ELECTRICAL CHARACTERISTICS AT 25°C

More detailed information can be found in the Application Manual.

Output Frequency	F	32.768	kHz
Frequency tolerance	¹⁾ $\Delta F/F$	± 20	ppm
Supply voltage	V_{DD}	1.2 – 5.5	V
Current consumption (typ./max.)	²⁾ I_{DD}	0.3 / 0.5	μA
Duty cycle (min./max.)		40 / 60	%
Start up time (max.)	t_{start}	0.5	s
Voltage coefficient (max.)		± 1.5	ppm/V
Aging first year max. @ 25°C	$\Delta F/F$	± 3	ppm
Turnover temperature (typ.)	T_0	25 \pm 5	°C
Frequency vs. temperature	$\Delta F/F_0$	$-0.035 \text{ ppm}/^{\circ}\text{C}^2 (T - T_0)^2 \pm 10\%$	ppm

1) Tighter tolerances on request.

2) $V_{DD} = 3.0 \text{ V}$, CLKOE = LOW.

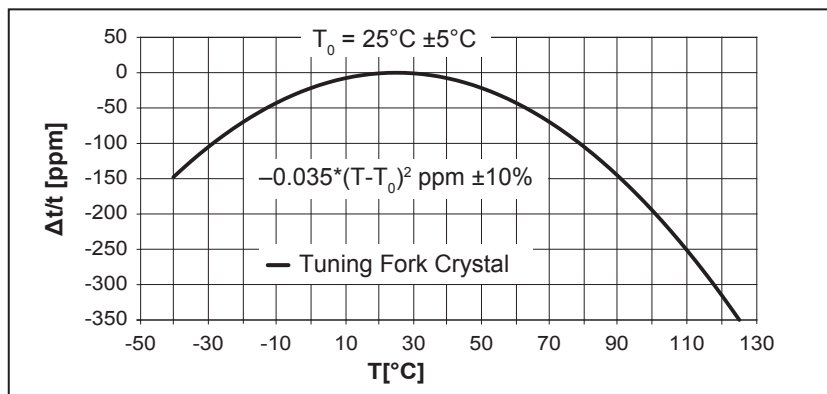
ENVIRONMENTAL CHARACTERISTICS

	Conditions	Max. Dev.
Storage temp. range	-55 to +125°C	
TA Operating temperature range	-40 to +85°C	
TB Extended oper. temp. range	-40 to +125°C	
Shock resistance	$\Delta F/F$ 5000 g, 0.3 ms, 1/2 sine	± 5 ppm
Vibration resistance	$\Delta F/F$ 20 g / 10–2000 Hz	± 5 ppm

TERMINATIONS AND PROCESSING

Type	Termination	Processing
OM-7604-C7	Au flashed pads	IPC/JEDEC J-STD-020C 260°C / 20 - 40 s

FREQUENCY TEMPERATURE CHARACTERISTICS



ORDERING INFORMATION

OM - 7604 - C7 ±20 ppm TA QC

Oscillator
Metal lid
Frequency
 7604 = 32.768 kHz
Package size
 C7 = 3.2 x 1.5 x 0.70 mm

Qualification
QC = Commercial Grade (Standard)
QA = Automotive Grade AEC-Q200

Temperature range
TA = -40 to +85°C (Standard)
TB = -40 to +125°C

Frequency tolerance

A unique part number will be generated for each product specification, i.e:	
20xxxx-MG01	1'000 pcs (in 12 mm tape on 7" reel)
20xxxx-MG03	3'000 pcs (in 12 mm tape on 7" reel)

All specifications subject to change without notice.



A COMPANY OF THE SWATCH GROUP

Micro Crystal AG
 Muehlestrasse 14
 CH-2540 Grenchen
 Switzerland

Phone +41 32 655 82 82
 Fax +41 32 655 82 83
 sales@microcrystal.com
 www.microcrystal.com

X-ON Electronics

Largest Supplier of Electrical and Electronic Components

Click to view similar products for [Standard Clock Oscillators](#) category:

Click to view products by [Micro Crystal](#) manufacturer:

Other Similar products are found below :

[601252](#) [F335-25](#) [F535L-33.333](#) [F535L-50](#) [ECS-2018-160-BN-TR](#) [MXO45HS-2C-66.6666MHZ](#) [SiT1602BI-22-33E-50.000000E](#) [SiT8209AI-32-33E-125.000000](#) [SIT8918AA-11-33S-50.000000G](#) [SM4420TEV-40.0M-T1K](#) [F335-24](#) [F335-40](#) [F535L-10](#) [F535L-12](#) [F535L-16](#) [F535L-24](#) [F535L-27](#) [F535L-48](#) [PE7744DW-100.0M](#) [CSX-750FCC14745600T](#) [ASF1-3.686MHZ-N-K-S](#) [XO57CTECNA3M6864](#) [ECS-2100A-147.4](#) [601251](#) [EP16E7E2H26.000MTR](#) [SIT8918AA-11-33S-16.000000G](#) [XO3003](#) [9120AC-2D2-33E212.500000](#) [9102AI-243N25E100.00000](#) [8208AC-82-18E-25.00000](#) [ASDK2-32.768KHZ-LR-T3](#) [8008AI-72-XXE-24.545454E](#) [8004AC-13-33E-133.33000X](#) [AS-4.9152-16-SMD-TR](#) [ASFL1-48.000MHZ-LC-T](#) [SIT8920AM-31-33E-25.0000](#) [DSC1028DI2-019.2000](#) [9121AC-2C3-25E100.00000](#) [9102AI-233N33E100.00000X](#) [9102AI-233N25E200.00000](#) [9102AI-232H25S125.00000](#) [9102AI-133N25E200.00000](#) [9102AC-283N25E200.00000](#) [9001AC-33-33E1-30.000](#) [3921AI-2CF-33NZ125.000000](#) [5730-1SF](#) [PXA000010](#) [8003AI-12-33S-40.00000Y](#) [1602BI-13-33S-19.200000E](#) [8208AI-2F-18E-25.000000X](#)