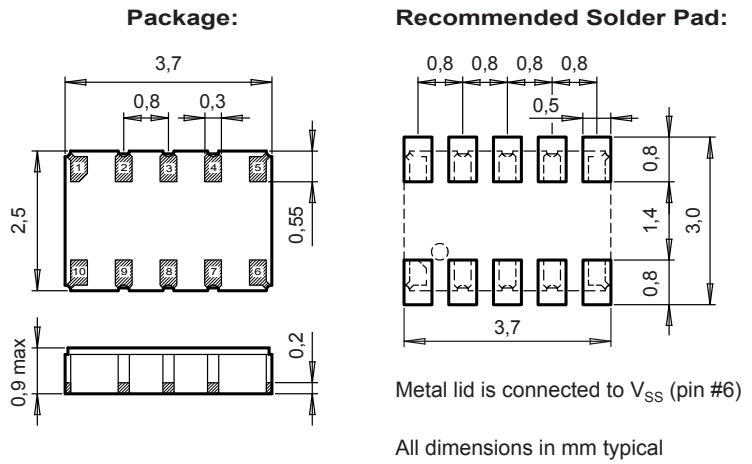


RV-1805-C3

Extreme Low Power RTC Module



DIMENSIONS



APPLICATIONS

IoT
 Metering
 Industrial
 Health Care
 Wearables, Portables

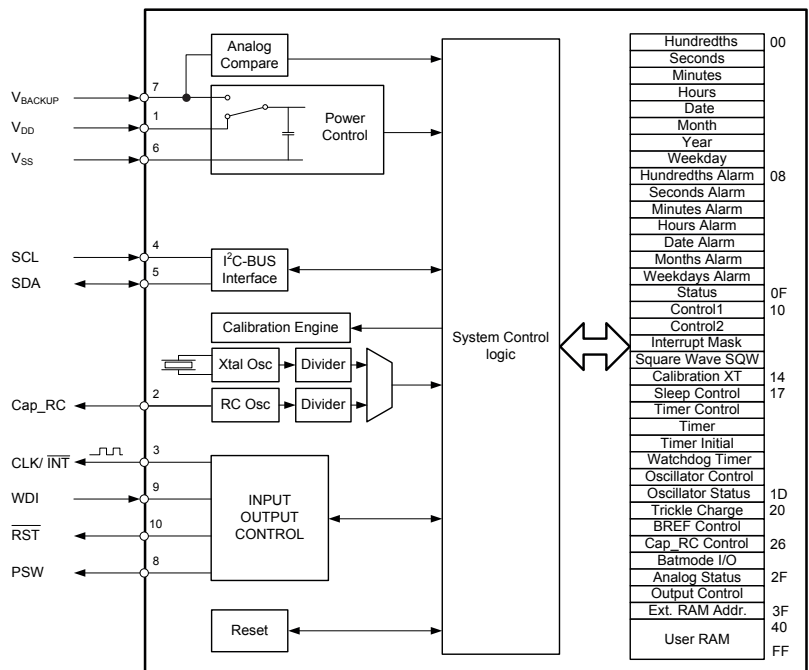
DESCRIPTION

The RV-1805-C3 is a SMT Real-Time Clock Module that incorporates an integrated CMOS circuit together with an XTAL. It operates under vacuum in a hermetically sealed ceramic package with metal lid.

FEATURES

Extreme low power consumption: XTAL mode, 60 nA @ 3 V.
 RC mode, 17 nA @ 3 V. RC autocalibration mode, 22 nA @ 3 V.
 Operating voltage range: 1.5 V to 3.6 V.
 Time accuracy: Factory calibrated to ± 2 ppm @ 25°C.
 User programmable offset value.
 Automatic Backup Switchover and Trickle Charger function.
 Provides year, month, date, weekday, hours, minutes, seconds, 100th.
 Timer, Alarm, External event and Watchdog functions.
 Clock output frequencies: 32.768 kHz to 1/60 Hz.
 256 bytes user RAM.
 I²C-bus interface: 400 kHz.
 100% Pb-free, RoHS-compliant.
 Qualification according to AEC-Q200.

BLOCK DIAGRAM



ELECTRICAL CHARACTERISTICS AT 25°C

More detailed information can be found in the Application Manual.

	Symbol	Condition	Min.	Typ.	Max.	Unit
Supply voltage	V_{DD}	Time keeping	1.5		3.6	V
Current consumption Time keeping mode	I_{DDO}	XTAL mode, V_{DD} 3 V		60	130	nA
		RC mode, V_{DD} 3 V		17	25	
		RC autocal., V_{DD} 3 V		22	32	
CLKOUT frequency	F_{CLKOUT}	Programmable	32'768 to 1/60			Hz
Time accuracy	$\Delta t/t$	@ 25°C	±2			ppm
Aging first year max.	$\Delta F/F$	@ 25°C	±3			ppm

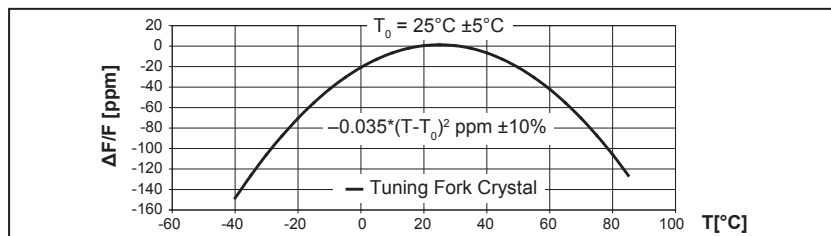
ENVIRONMENTAL CHARACTERISTICS

		Conditions	Max. Dev.
Storage temp. range		-55 to +125°C	
TA Operating temperature range		-40 to +85°C	
Shock resistance	$\Delta F/F$	5000 g, 0.3 ms, 1/2 sine	±5 ppm
Vibration resistance	$\Delta F/F$	20 g / 10–2000 Hz	±5 ppm

TERMINATIONS AND PROCESSING

Package	Termination	Processing
SON-10	Au flashed pads	IPC/JEDEC J-STD-020C 260°C / 20 - 40 s

FREQUENCY TEMPERATURE CHARACTERISTICS



PIN CONNECTIONS TOP VIEW

Pin	Connection
1	V_{DD} Power Supply Voltage
2	Cap_RC Capacitor RC Osci.
3	CLK/INT Clock Output/Interrupt
4	SCL Serial Clock Input
5	SDA Serial Data
6	V_{SS} Ground
7	V_{BACKUP} Backup Supply Voltage
8	PSW Power Switch Output
9	WDI Watchdog Input
10	RST Reset Output

Product Date Code

#10 #6

M843A1

1805

#1 #5

Part Designation

Pin 1 Index

ORDERING INFORMATION

RV - 1805 - C3 TA QC	
RTC module	Qualification
Product type	QC = Commercial Grade (Standard)
Package size	Temperature range
C3 = 3.7 x 2.5 x 0.9 mm	TA = -40 to +85°C (Standard)

A unique part number will be generated for each product specification, i.e:	
20xxxx-MG01	1'000 pcs (in 12 mm tape on 7" reel)
20xxxx-MG03	3'000 pcs (in 12 mm tape on 7" reel)

All specifications subject to change without notice.



A COMPANY OF THE SWATCH GROUP

Micro Crystal AG
Muehlestrasse 14
CH-2540 Grenchen
Switzerland

Phone +41 32 655 82 82
Fax +41 32 655 82 83
sales@microcrystal.com
www.microcrystal.com

X-ON Electronics

Largest Supplier of Electrical and Electronic Components

Click to view similar products for [Real Time Clock](#) category:

Click to view products by [Micro Crystal](#) manufacturer:

Other Similar products are found below :

[DS1302Z-LF](#) [710029X](#) [879047C](#) [405800G](#) [PT7C43390LE](#) [RV-3029-C2-32.768k-OPTION-B-TB-QA](#) [RV-2123-C2-32.768k-20PPM-TA-QA](#) [RV-3029-C2-32.768k-OPTION-A-TB-QA](#) [RV-1805-C3-32.768k-2PPM-TA-QA](#) [RX8900SA](#) [UC3 PURE SN](#) [RX8010SJ](#) [RX-4035LC:B3 PURE SN](#) [RX-8564LC:B PURE SN](#) [RX-4571LC:B PURE SN](#) [RX-8803LCUB PURE SN BULK](#) [RX-8035SA:AA PURE SN](#) [RX-8571LCB0 PURE SN](#) [RTC-8564JE](#) [MCP79522-I/MS](#) [MCP7940M-I/P](#) [DS3231SN#T&R](#) [DS1391U-18+](#) [DS1347T+T&R](#) [RX-8564LC:B3 PURE SN](#) [PCF85063TP/1Z](#) [DS1338Z-33+T](#) [RX-4571SA:B3 PURE SN](#) [DS1340U-33+T&R](#) [RX-8571LC:B3 PURE SN](#) [PCF8583T/5.518](#) [RTC-4543SAB](#) [RX-8803LC:UB3 PURE SN](#) [RX-8803SA:UB3 PURE SN](#) [S-35390A-T8T1](#) [AB1815-T3](#) [AB-RTCMC-32.768kHz-AIGZ-S7-T](#) [AB-RTCMC-32.768kHz-B5GA-S3-T](#) [AB-RTCMC-32.768kHz-B5ZE-S3-T](#) [AB-RTCMC-32.768kHz-EOA9-S3-D-B-T](#) [AB-RTCMC-32.768KHZ-EOZ9-S3-HAT](#) [AB-RTCMC-32.768KHZ-IBO5-S3-T](#) [AB-RTCMC-32.768kHz-ZIZE-S2-T](#) [FM33256B-G](#) [DS1673E-5-LF](#) [HYM1307N](#) [HYM1302](#) [HYM1302N](#) [PCF8563N](#) [ECS-RTC-3225-5609-TR](#) [ECS-RTC-3225-5699HS-TR](#)