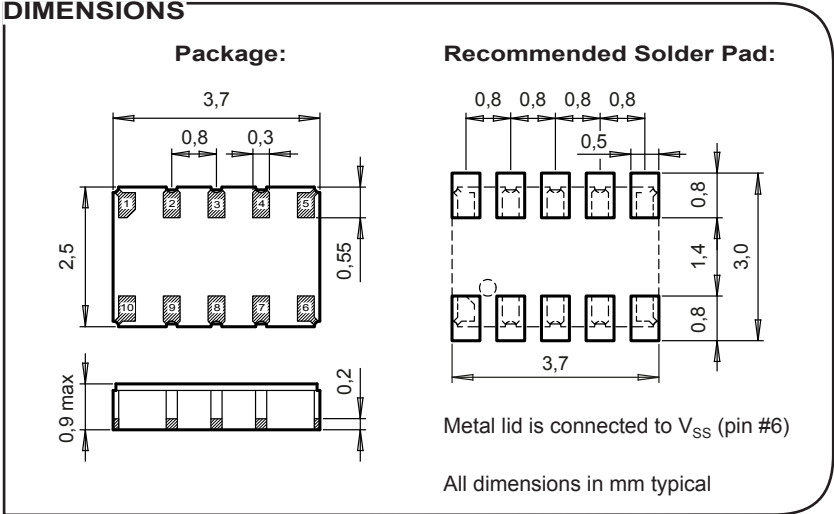


RV-1805-C3

Extreme Low Power RTC Module



APPLICATIONS

- IoT
- Metering
- Industrial
- Health Care
- Wearables, Portables

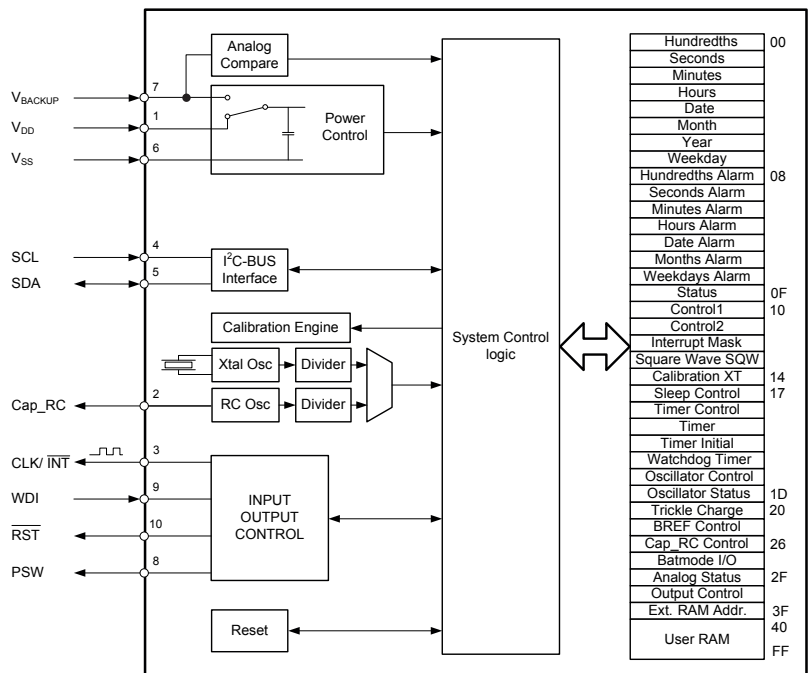
DESCRIPTION

The RV-1805-C3 is a SMT Real-Time Clock Module that incorporates an integrated CMOS circuit together with an XTAL. It operates under vacuum in a hermetically sealed ceramic package with metal lid.

FEATURES

- Extreme low power consumption: XTAL mode, 60 nA @ 3 V. RC mode, 17 nA @ 3 V. RC autocalibration mode, 22 nA @ 3 V.
- Operating voltage range: 1.5 V to 3.6 V.
- Time accuracy: Factory calibrated to ±2 ppm @ 25°C.
- User programmable offset value.
- Automatic Backup Switchover and Trickle Charger function.
- Provides year, month, date, weekday, hours, minutes, seconds, 100th.
- Timer, Alarm, External event and Watchdog functions.
- Clock output frequencies: 32.768 kHz to 1/60 Hz.
- 256 bytes user RAM.
- I²C-bus interface: 400 kHz.
- 100% Pb-free, RoHS-compliant.
- Qualification according to AEC-Q200.

BLOCK DIAGRAM



ELECTRICAL CHARACTERISTICS AT 25°C

More detailed information can be found in the Application Manual.

	Symbol	Condition	Min.	Typ.	Max.	Unit
Supply voltage	V_{DD}	Time keeping	1.5		3.6	V
Current consumption Time keeping mode	I_{DDO}	XTAL mode, V_{DD} 3 V		60	130	nA
		RC mode, V_{DD} 3 V		17	25	
		RC autocal., V_{DD} 3 V		22	32	
CLKOUT frequency	F_{CLKOUT}	Programmable	32'768 to 1/60			Hz
Time accuracy	$\Delta t/t$	@ 25°C	±2			ppm
Aging first year max.	$\Delta F/F$	@ 25°C	±3			ppm

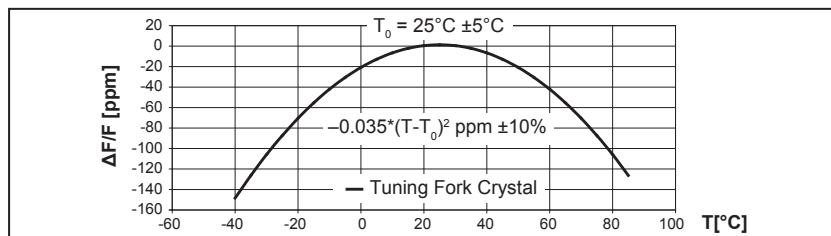
ENVIRONMENTAL CHARACTERISTICS

		Conditions	Max. Dev.
Storage temp. range		-55 to +125°C	
TA Operating temperature range		-40 to +85°C	
Shock resistance	$\Delta F/F$	5000 g, 0.3 ms, 1/2 sine	±5 ppm
Vibration resistance	$\Delta F/F$	20 g / 10–2000 Hz	±5 ppm

TERMINATIONS AND PROCESSING

Package	Termination	Processing
SON-10	Au flashed pads	IPC/JEDEC J-STD-020C 260°C / 20 - 40 s

FREQUENCY TEMPERATURE CHARACTERISTICS



PIN CONNECTIONS TOP VIEW

Pin	Connection
1	V_{DD} Power Supply Voltage
2	Cap_RC Capacitor RC Osci.
3	CLK/INT Clock Output/Interrupt
4	SCL Serial Clock Input
5	SDA Serial Data
6	V_{SS} Ground
7	V_{BACKUP} Backup Supply Voltage
8	PSW Power Switch Output
9	WDI Watchdog Input
10	RST Reset Output

ORDERING INFORMATION

RV - 1805 - C3 TA QC	
RTC module	Qualification
Product type	QC = Commercial Grade (Standard)
Package size	Temperature range
C3 = 3.7 x 2.5 x 0.9 mm	TA = -40 to +85°C (Standard)

A unique part number will be generated for each product specification, i.e:	
20xxxx-MG01	1'000 pcs (in 12 mm tape on 7" reel)
20xxxx-MG03	3'000 pcs (in 12 mm tape on 7" reel)

All specifications subject to change without notice.



MICRO CRYSTAL SWITZERLAND

A COMPANY OF THE SWATCH GROUP

Micro Crystal AG
Muehlestrasse 14
CH-2540 Grenchen
Switzerland

Phone +41 32 655 82 82
Fax +41 32 655 82 83
sales@microcrystal.com
www.microcrystal.com

X-ON Electronics

Largest Supplier of Electrical and Electronic Components

Click to view similar products for [Clock & Timer Development Tools](#) category:

Click to view products by [Micro Crystal](#) manufacturer:

Other Similar products are found below :

[AD9517-0A/PCBZ](#) [AD9517-2A/PCBZ](#) [AD9522-4/PCBZ](#) [AD9520-5PCBZ](#) [AD9553/PCBZ](#) [ADCLK914PCBZ](#) [LMH2180SDEVAL](#) [DSC400-0333Q0032KE1-EVB](#) [TDGL013](#) [MAX2880EVKIT#](#) [MAX2750EVKIT](#) [MAX2752EVKIT](#) [ADCLK946PCBZ](#) [ADCLK946/PCBZ](#) [MAX2622EVKIT](#) [EKIT01-HMC1032LP6G](#) [Si5332-8IX-EVB](#) [RV-2251-C3-EVALUATION-BOARD](#) [Si5332-12IX-EVB](#) [RV-3029-C2-EVALUATION-BOARD-OPTION-B](#) [Si5332-6IX-EVB](#) [SKY72310-11-EVB](#) [EV1HMC8364LP6G](#) [RV-8263-C7-EVALUATION-BOARD](#) [EVK9FGV1002](#) [EVK9FGV1008](#) [EV1HMC6832ALP5L](#) [EVAL01-HMC830LP6GE](#) [EVAL01-HMC911LC4B](#) [TS3002DB](#) [125605-HMC702LP6CE](#) [LMX2487E-EVM](#) [MIKROE-2481](#) [2045](#) [EKIT01-HMC835LP6G](#) [EKIT01-HMC834LP6GE](#) [TS3006DB](#) [DSC-TIMEFLASH2-KIT1](#) [110227-HMC510LP5](#) [110227-HMC513LP5](#) [AD9515/PCBZ](#) [ADCLK948/PCBZ](#) [ADCLK954/PCBZ](#) [112261-HMC739LP4](#) [ADCLK925/PCBZ](#) [AD9522-0/PCBZ](#) [AD9520-4/PCBZ](#) [AC164147](#) [DFR0469](#) [LMK04133EVAL/NOPB](#)