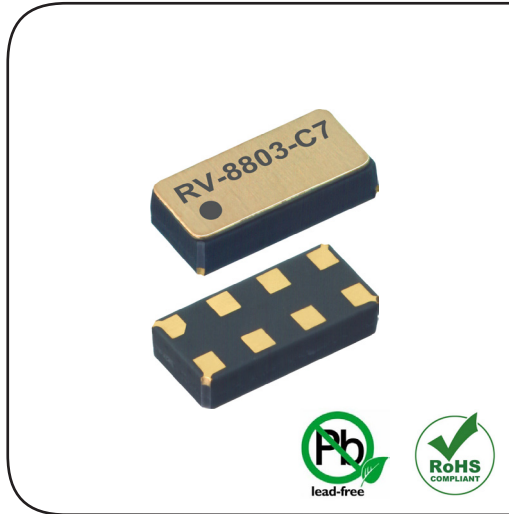
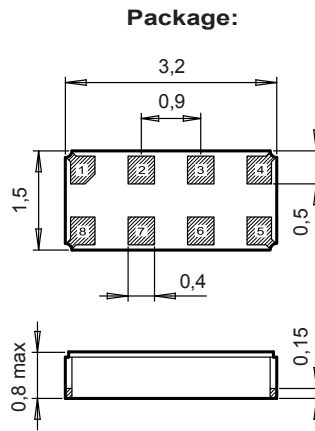


RV-8803-C7

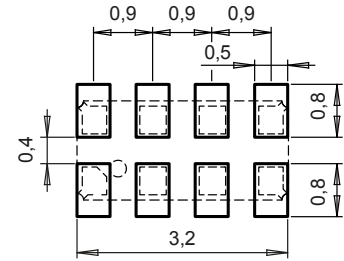
Real-Time Clock Module with I²C-Bus



DIMENSIONS



Recommended Solder Pad:



Metal lid is connected to V_{SS} (pin #5)

All dimensions in mm typical

APPLICATIONS

IoT
Metering
Industrial
Automotive
Health Care
Wearables, Portables

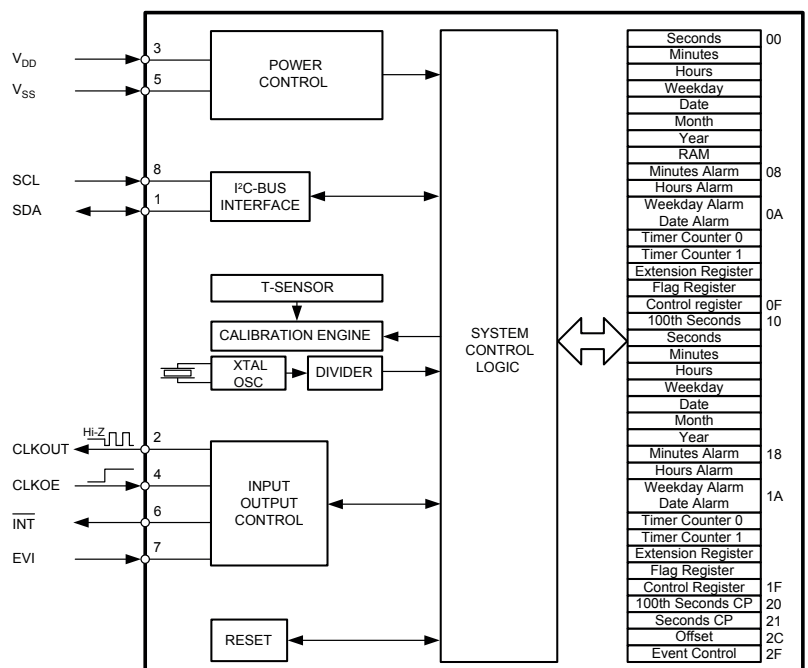
DESCRIPTION

The RV-8803-C7 is a SMT Real-Time Clock Module that incorporates an integrated CMOS circuit together with an XTAL. It operates under vacuum in a hermetically sealed ceramic package with metal lid.

FEATURES

- Low power consumption: 240 nA @ 3 V.
- Wide operating voltage range: 1.5 V to 5.5 V.
- Time accuracy, temperature compensated: -40°C to +85°C, ±3 ppm.
+85°C to +105°C, ±7 ppm.
- User programmable offset value.
- Provides year, month, date, weekday, hours, minutes, seconds and 100th seconds.
- Automatic leap year correction: 2000 to 2099.
- Timer, alarm and external event input with time stamp.
- Clock output frequencies: 32.768 kHz, 1024 Hz, 1 Hz.
- I²C-bus interface: 400 kHz.
- 100% Pb-free, RoHS-compliant.
- Automotive qualification according to AEC-Q200 available.

BLOCK DIAGRAM



ELECTRICAL CHARACTERISTICS AT 25°C

More detailed information can be found in the Application Manual.

	Symbol	Condition	Min.	Typ.	Max	Unit
Supply voltage	V _{DD}	Temp. comp.	1.5		5.5	V
Current consumption Time keeping mode	I _{DDO}	I ² C-bus inactive, V _{DD} = 3 V		240	350	nA
Time accuracy	ΔF/F	-40 to +85°C	±3			ppm
		+85 to +105°C	±7			
Aging first year max.	ΔF/F	@ 25°C	±3			ppm

ENVIRONMENTAL CHARACTERISTICS

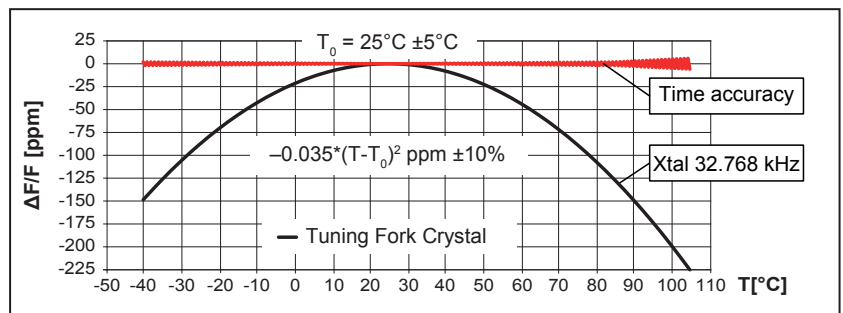
		Conditions	Max. Dev.
Storage temperature range		-55 to +125°C	
TA Operating temperature range		-40 to +85°C ¹⁾	
Shock resistance	ΔF/F	5000 g, 0.3 ms, ½ sine	±5 ppm
Vibration resistance	ΔF/F	20 g / 10–2000 Hz	±5 ppm

1) Supports extended range from +85°C to +105°C with limitations.

TERMINATIONS AND PROCESSING

Package	Termination	Processing
SON-8	Au flashed pads	IPC/JEDEC J-STD-020C 260°C / 20 - 40 s

FREQUENCY TEMPERATURE CHARACTERISTICS



PIN CONNECTIONS TOP VIEW

Pin	Connection
1	SDA Serial Data
2	CLKOUT Clock Output
3	V _{DD} Power Supply Voltage
4	CLKOE Clock Output Enable
5	V _{SS} Ground
6	$\overline{\text{INT}}$ Interrupt Output
7	EVI Event Input
8	SCL Serial Clock Input

ORDERING INFORMATION

RV - 8803 - C7 TA QC

RTC module

Product type

Package size
C7 = 3.2 x 1.5 x 0.8 mm

Qualification
QC = Commercial Grade (Standard)
QA = Automotive Grade AEC-Q200

Temperature range
TA = -40 to +85°C (Standard)
(supports extended range from +85°C to +105°C with limitations)

A unique part number will be generated for each product specification, i.e:	
20xxxx-MG01	1'000 pcs (in 12 mm tape on 7" reel)
20xxxx-MG03	3'000 pcs (in 12 mm tape on 7" reel)

All specifications subject to change without notice.



A COMPANY OF THE SWATCH GROUP

Micro Crystal AG
Muehlestrasse 14
CH-2540 Grenchen
Switzerland

Phone +41 32 655 82 82
Fax +41 32 655 82 83
sales@microcrystal.com
www.microcrystal.com

X-ON Electronics

Largest Supplier of Electrical and Electronic Components

Click to view similar products for [Clock & Timer Development Tools](#) category:

Click to view products by [Micro Crystal](#) manufacturer:

Other Similar products are found below :

[AD9517-0A/PCBZ](#) [AD9517-2A/PCBZ](#) [AD9522-4/PCBZ](#) [AD9520-5PCBZ](#) [AD9530/PCBZ](#) [AD9553/PCBZ](#) [ADCLK914PCBZ](#)
[LMH2180SDEVAL](#) [DSC400-0333Q0032KE1-EVB](#) [TDGL013](#) [MAX2880EVKIT#](#) [MAX2750EVKIT](#) [MAX2752EVKIT](#) [ADCLK946PCBZ](#)
[ADCLK946/PCBZ](#) [MAX2622EVKIT](#) [EKIT01-HMC1032LP6G](#) [Si5332-8IX-EVB](#) [Si5332-12IX-EVB](#) [RV-3029-C2-EVALUATION-BOARD-](#)
[OPTION-B](#) [Si5332-6IX-EVB](#) [SKY72310-11-EVB](#) [EV1HMC8364LP6G](#) [RV-8263-C7-EVALUATION-BOARD](#) [EVK9FGV1002](#)
[EVK9FGV1008](#) [EV1HMC6832ALP5L](#) [EVAL01-HMC830LP6GE](#) [EVAL01-HMC911LC4B](#) [EVAL01-HMC988LP3E](#) [TS3002DB](#) [125605-](#)
[HMC702LP6CE](#) [LMX2487E-EVM](#) [MIKROE-2481](#) [2045](#) [EKIT01-HMC835LP6G](#) [EKIT01-HMC834LP6GE](#) [TS3006DB](#) [DSC-](#)
[TIMEFLASH2-KIT1](#) [110227-HMC510LP5](#) [110227-HMC513LP5](#) [AD9515/PCBZ](#) [ADCLK948/PCBZ](#) [ADCLK954/PCBZ](#) [112261-](#)
[HMC739LP4](#) [ADCLK925/PCBZ](#) [AD9522-0/PCBZ](#) [AD9520-4/PCBZ](#) [AC164147](#) [DFR0469](#)