



Micro Detectors

Italian Sensors Technology



FC7 Optical Fork for labels



Photoelectric Sensors
Catalogue
CAT3EFC1372201
Catalogue FC7 - english - Ed.01/2013





Products

FC7
fork



Series FC7

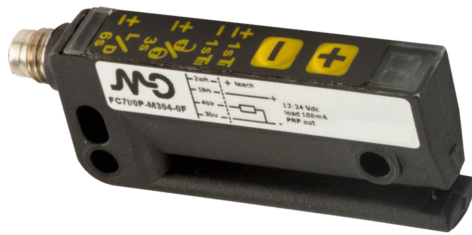
Fork



www.microdetectors.com

Industries and applications

- label recognition
- labels counting and positioning
- double sheet detection
- band-aids detection



Main Features

Dynamic Teach-in or control panel and manual adjustment with “+/-” buttons

Minimum object detection 2 mm (gap between labels), 2 mm (label size)

Infrared emission

Light/Dark switching, selectable by button

Switching frequency 10 kHz

PA housing

M8 connectors (4 pins): PNP or NPN, Lo/Do selectable

-20 ...+60 °C operating temperature range

Certifications



Protection degree

IP65





Products

FC7
fork

FC7 optical fork for labels

FC7 forks have a very strong thermoplastic housing. Thanks to its thin form and its design, it has been thought for the labeling process.

Its high switching frequency (10 kHz) and low response time allow to detect fast moving labels with high repeatability precision.

Infrared light emission.

Simple and accurate adjustment by +/- buttons.

The adjustment can be made during the label strip processing.

The NPN or PNP output, Light ON and Dark ON modes are configurable through a push-button, the forth wire is the remote Teach-in.

Available with M8 4 pins connector.

IP65 protection degree.

Pack content

Installation manual (English + Italian): CAT8BFC1362301

Further commercial and technical documents available

High resolution pictures

Customization already tested

-

Minimum quantity that can be ordered

1 pcs

Code description

FC7 I / 0 P - M3 04 - 0 F

FC7	Fork for labels
I	LED Infrared emission
0	Lo/Do output selectable, remote teach
P	PNP digital output
N	NPN digital output
M3	Width slit detection 3 mm
04	Depth slit detection 42 mm
0	Thermoplastic case
F	M8 plug 4 pin

Available models

supply	installation	PNP	NPN
12 ... 24 Vdc	M8 - 4 Pins	FC7I/0P-M304-0F	FC7I/0N-M304-0F




Products

FC7
fork

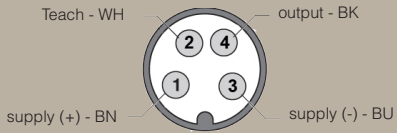
Specifications

according to IEC EN 60947-5-2

	
models	FC7I/**_**_**
nominal sensing distance sn	3 mm
minimum length of label	2 mm
minimum distance between 2 labels	2 mm
slot depth detection	42 mm
slot width detection	3 mm
emission	infrared
maximum flow rate	200 m/min
detection accuracy	+/- 50 um at 150 m/min
rated operational voltage ue	12 ... 24 Vdc (with protection against reverse polarity)
max ripple content	10%
no-load supply current	35 mA
load current	100 mA
output voltage drop	< 2 V @ IL=100 mA
switching frequency	10 KHz
time delay before availability	50 us max
supply electrical protections	Polarity reversal, transient
operation temperature range	- 20 ...+ 60 °C
storage temperature	- 30 ...+ 80 °C
protection degree	IP65, IEC (EN60529)
housing material	PA
plug	M8 4 pins
weight approx.	35 g

BN	brown
BU	blue
BK	black
WH	white

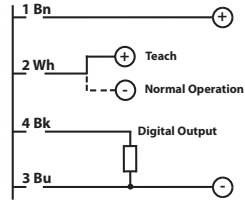
Electric diagrams of the connections



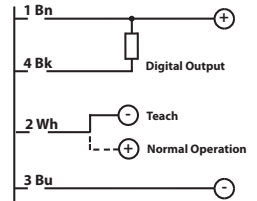
M8

FC7I/**-**-**

PNP output

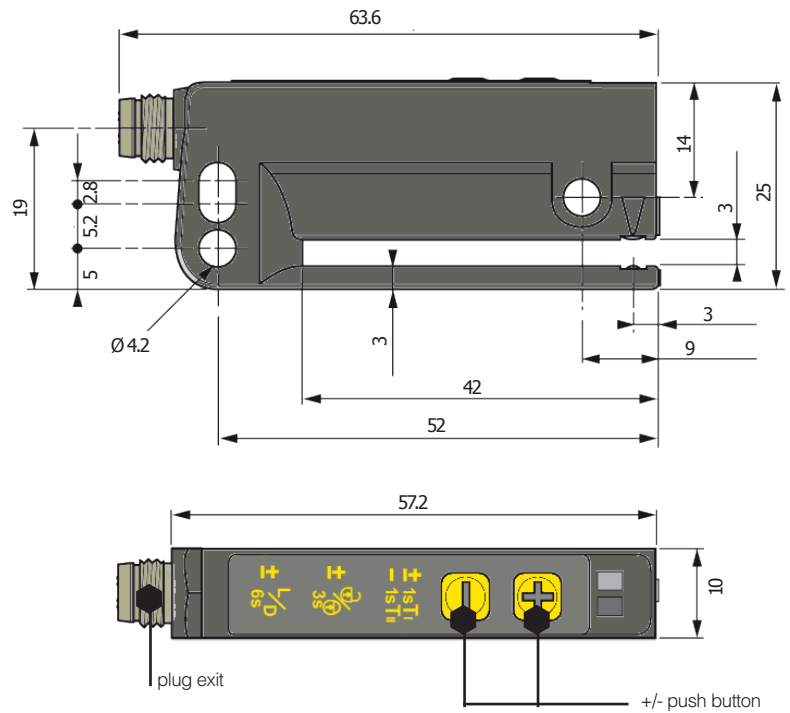


NPN output



Dimensions

FC7I/**-**-**



mm



Catalogue
Photoelectric Sensors



CAT3EFC1372201 CATALOGUE PHOTOELECTRIC FORK SENSOR FC7 ENG ED.01/2013

All information written in this catalogue are subject to modifications without notice.
They don't represent any obligation for M.D. Micro Detectors

Any variation will be implemented in this catalogue and its electronic version, available on the corresponding page of M.D. Micro Detectors website:
www.microdetectors.com

X-ON Electronics

Largest Supplier of Electrical and Electronic Components

Click to view similar products for [Photoelectric Sensors](#) category:

Click to view products by [Micro Detectors](#) manufacturer:

Other Similar products are found below :

[7442AD2X5FRX](#) [EX-19B-LP](#) [EX-19SB-PN](#) [7443AR0X5FRX](#) [7452AD4D4NNX](#) [7694ADE04DS2X](#) [FE7C-FRC6S-M](#) [FX-305](#) [PM-R24-R](#)
[Q45VR2FPQ](#) [13104RQD07](#) [E3JUXM4MN](#) [E3L2DC4](#) [E3S3LE21](#) [E3SCT11M1J03M](#) [E3SDS20E21](#) [E3VDS70C43S](#) [E3XNM16](#) [BR23P](#)
[HOA6563-001](#) [OJ-3307-30N8](#) [OS-311A-30](#) [P32013](#) [P34036](#) [P43004](#) [P60001](#) [PB10CNT15PO](#) [S14132](#) [935286-000](#) [S52101](#) [S56258](#) [FD-](#)
[SN500](#) [FE7B-FDRB6-M](#) [SU-79](#) [T36342](#) [T40300](#) [T60001](#) [PD60CNX20BP](#) [FX-302-HY](#) [FZS](#) [PM-T64W](#) [PZ2-51P](#) [CX-491-P-J](#) [CYNUTX10](#)
[UZB802](#) [UZB803](#) [UZFRG1](#) [UZFRG4](#) [UZFRT4](#) [UZFTT8](#)